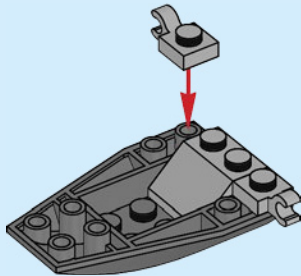
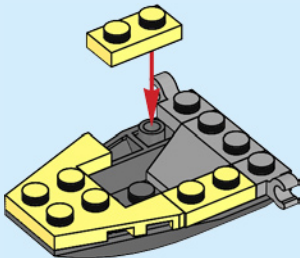




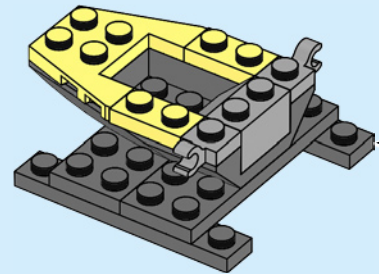
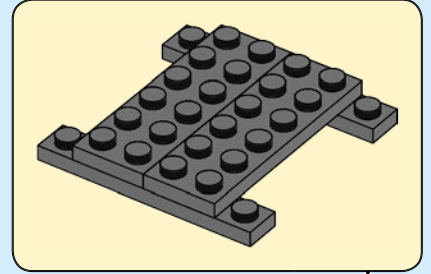
1



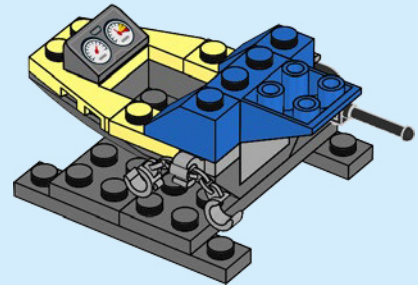
2



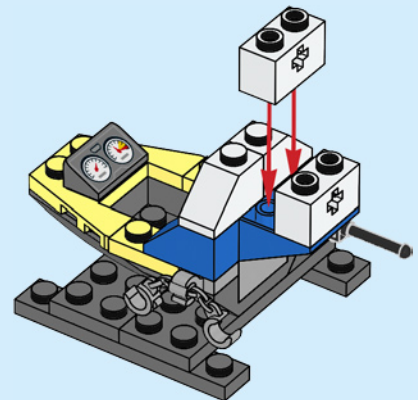
3



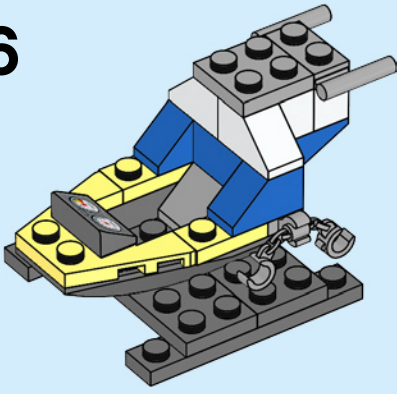
4



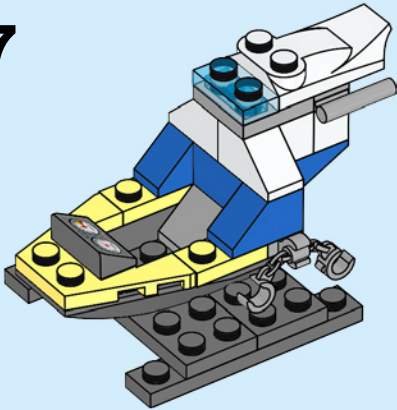
5



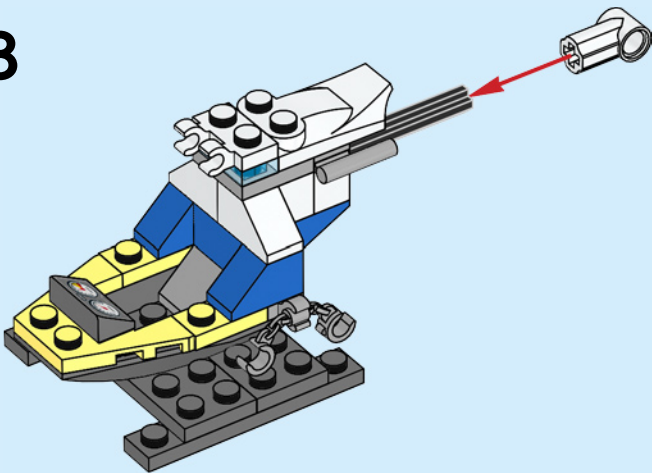
6



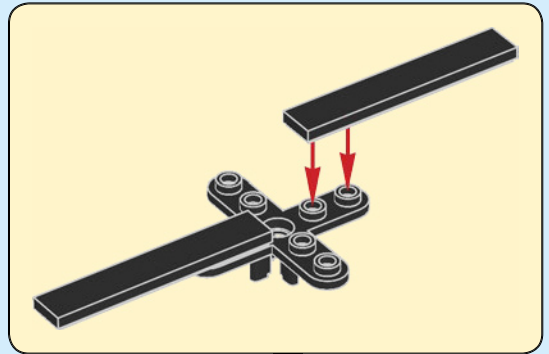
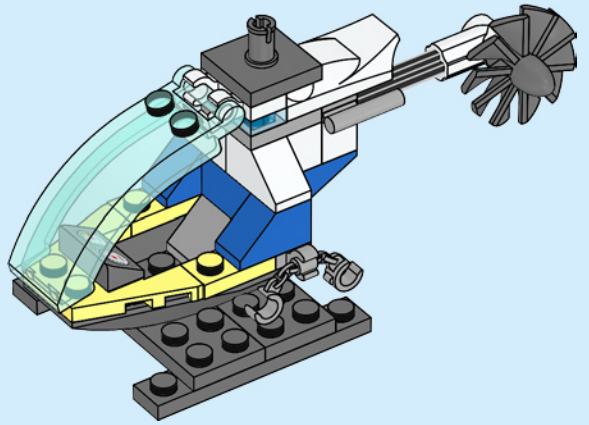
7



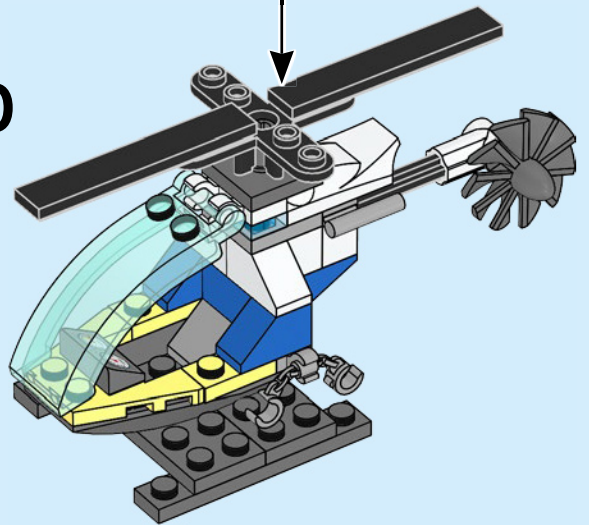
8



9



10



**LEGO CITY**



 [LEGO.com/city](https://www.LEGO.com/city)

[LEGO.com/service](https://www.LEGO.com/service)

LEGO and the LEGO logo are trademarks of the LEGO Group.

©2020 The LEGO Group. 6306859