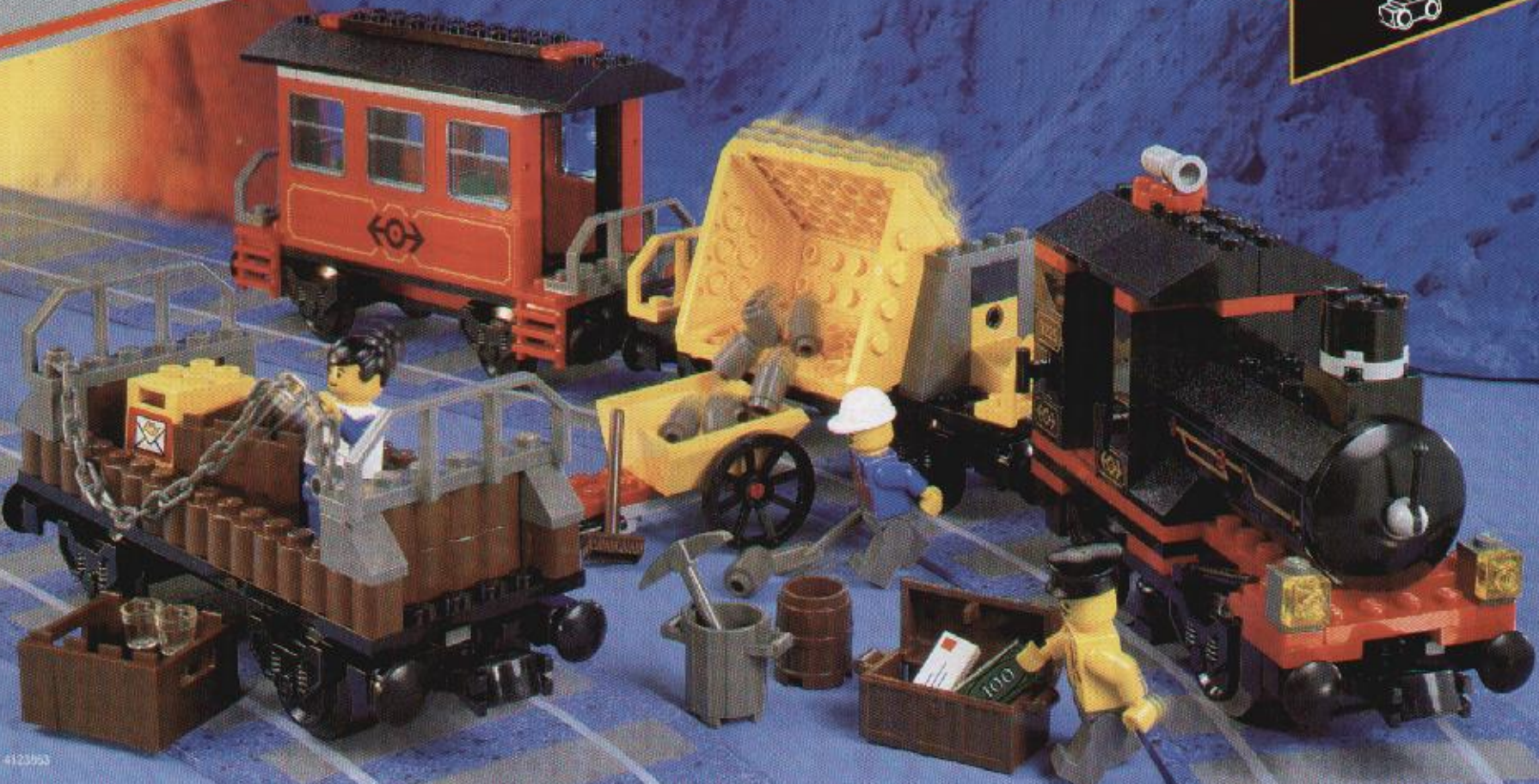


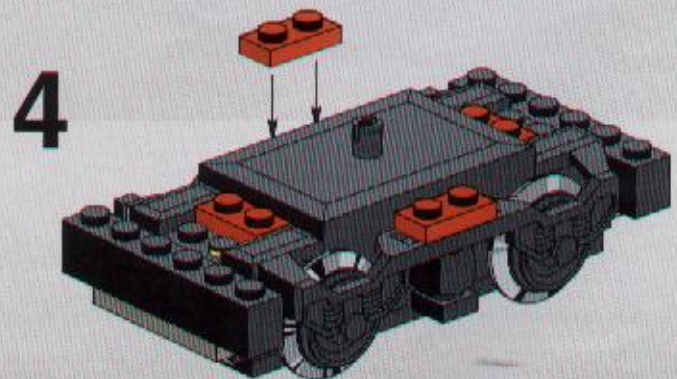
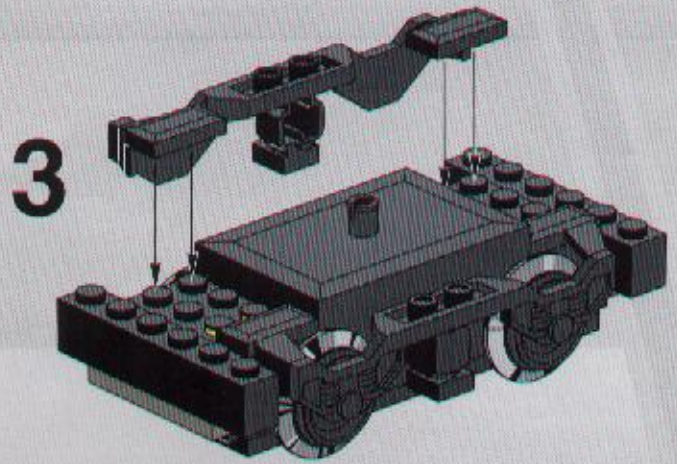
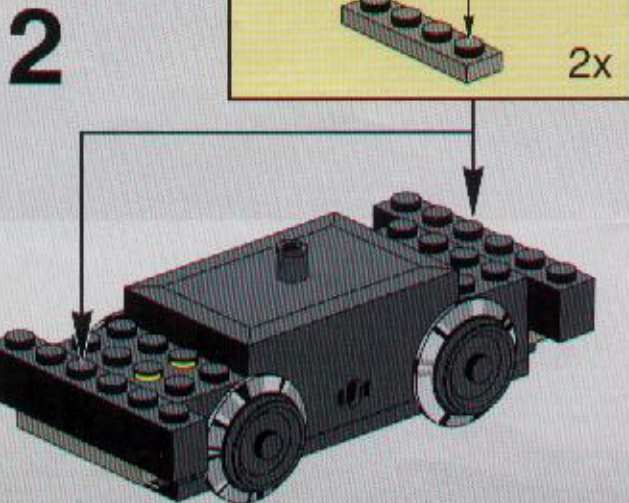
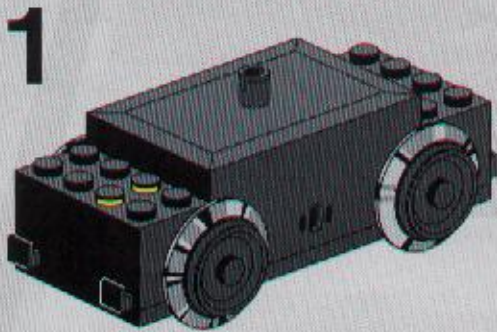
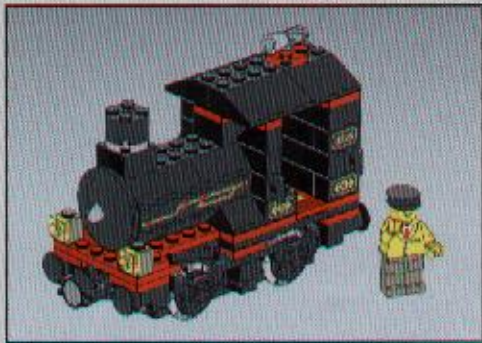
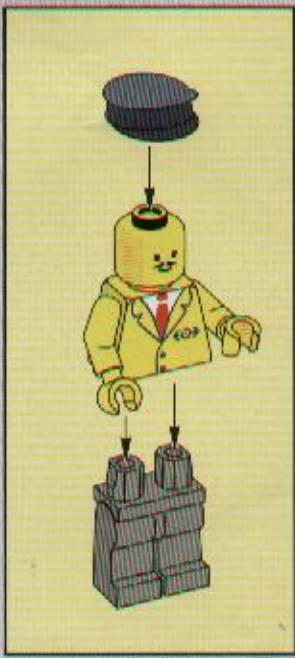
LEGO SYSTEM™

3225

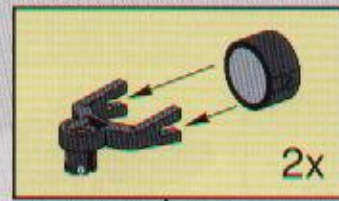
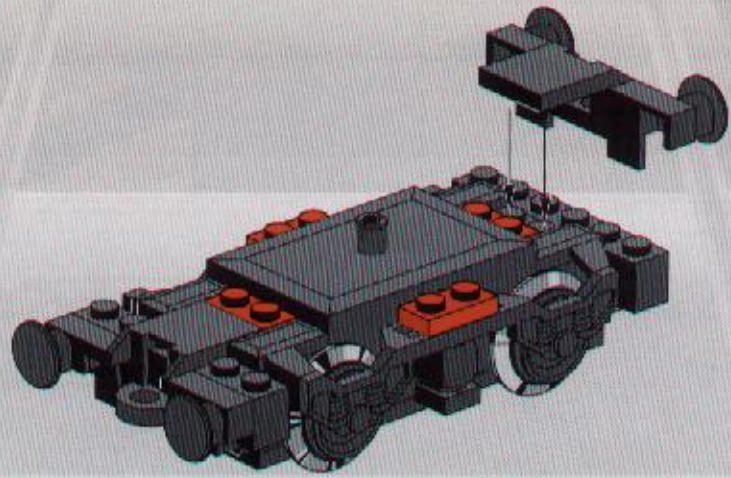
Electric 9V system



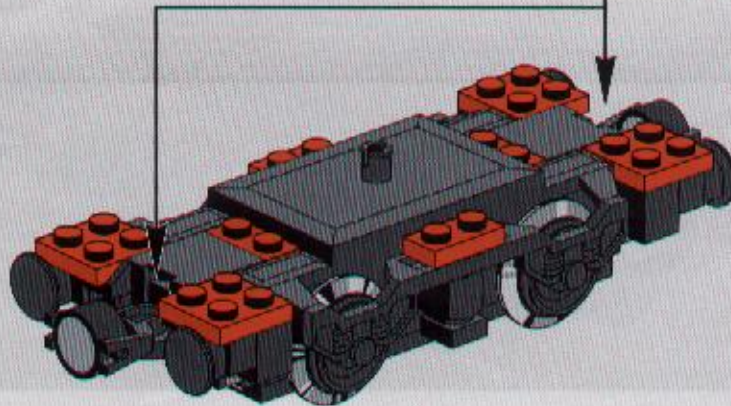
4123993



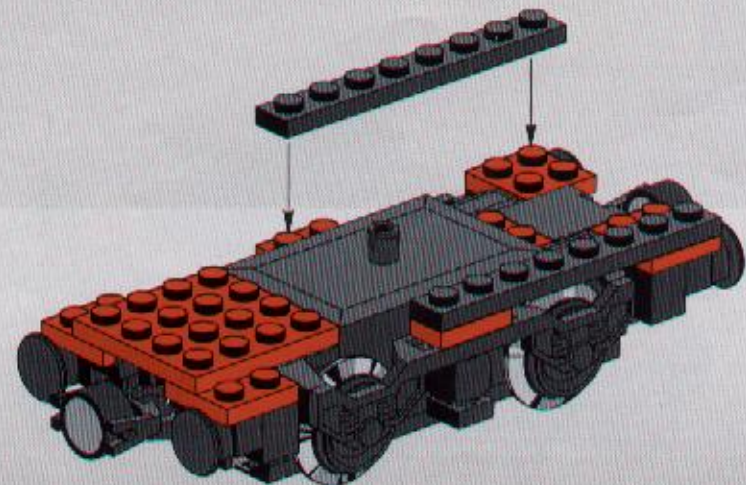
5

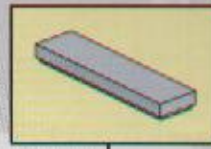
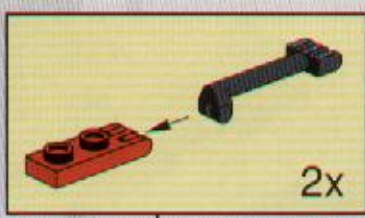


6

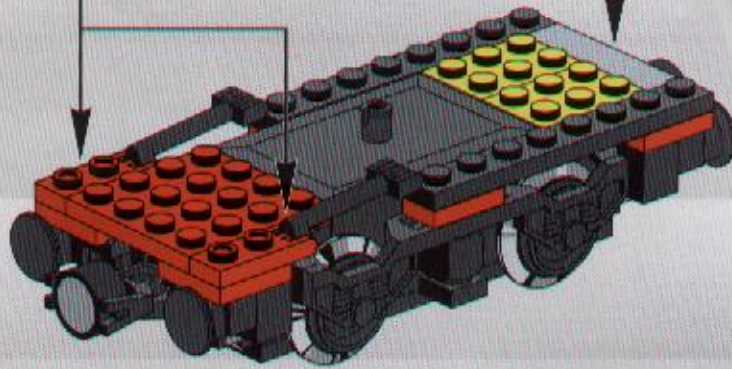


7

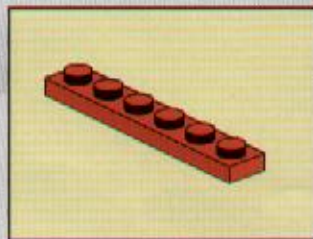
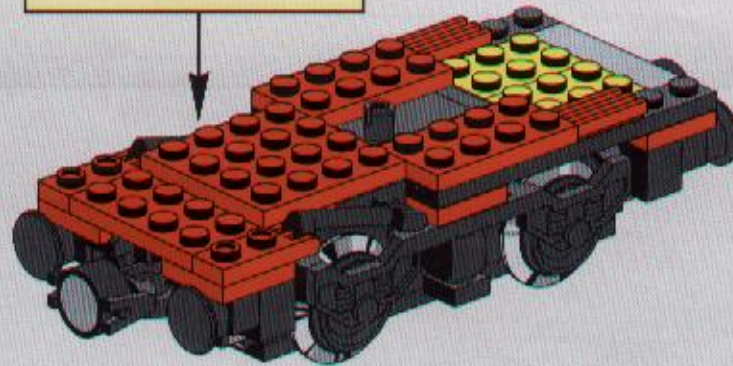




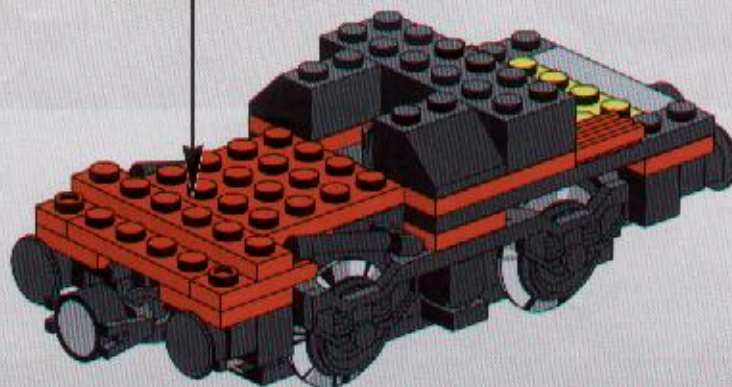
8

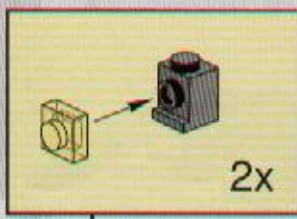


9

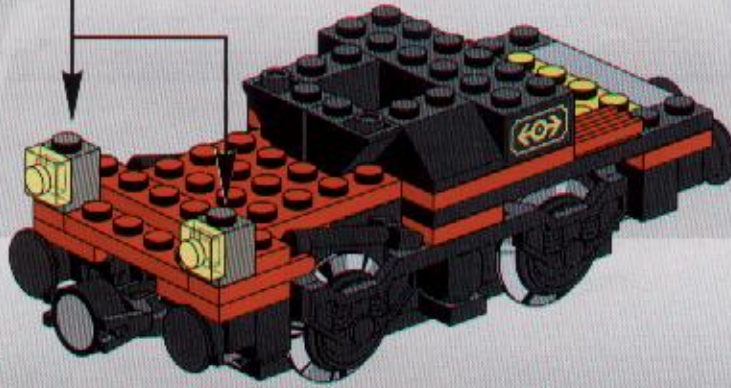


10

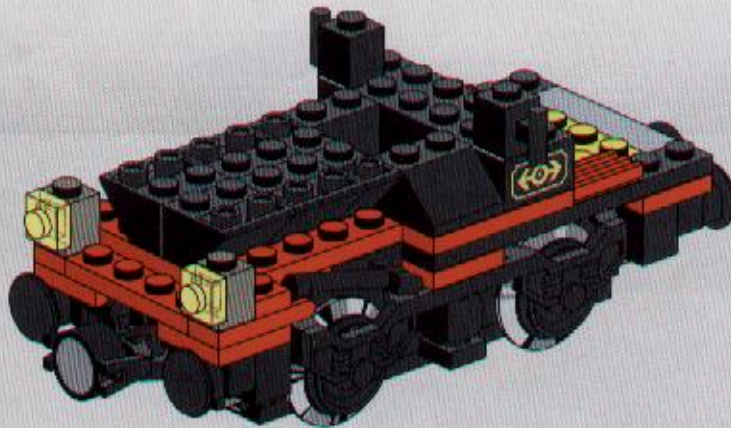




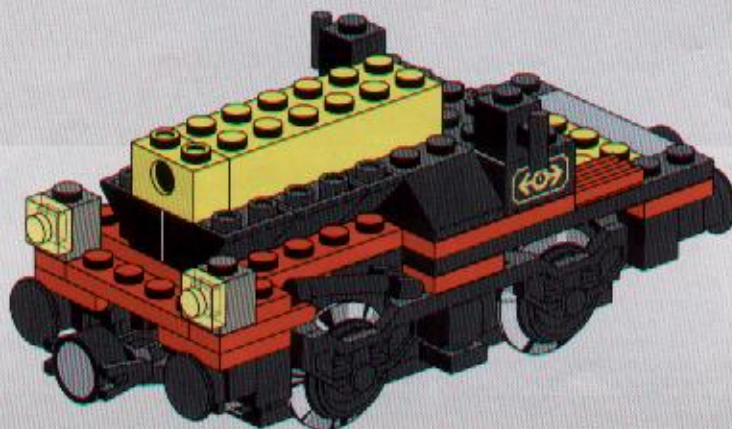
11



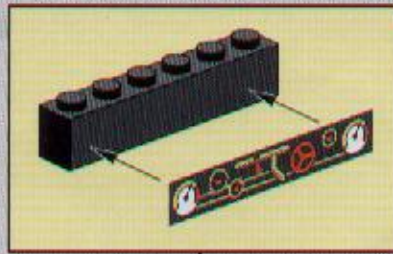
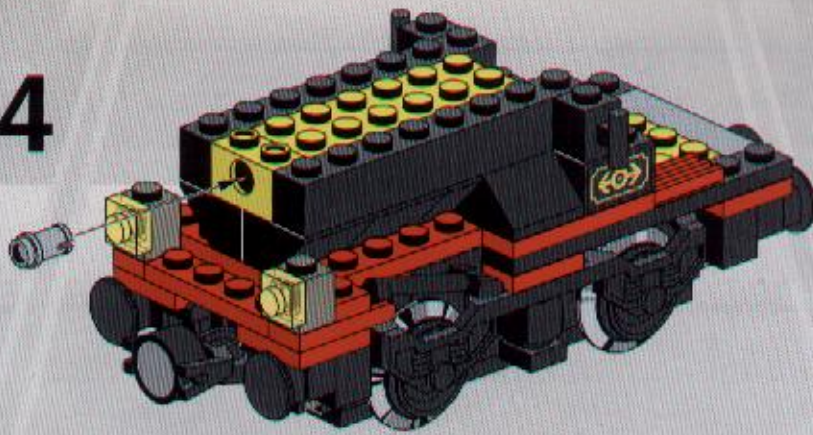
12



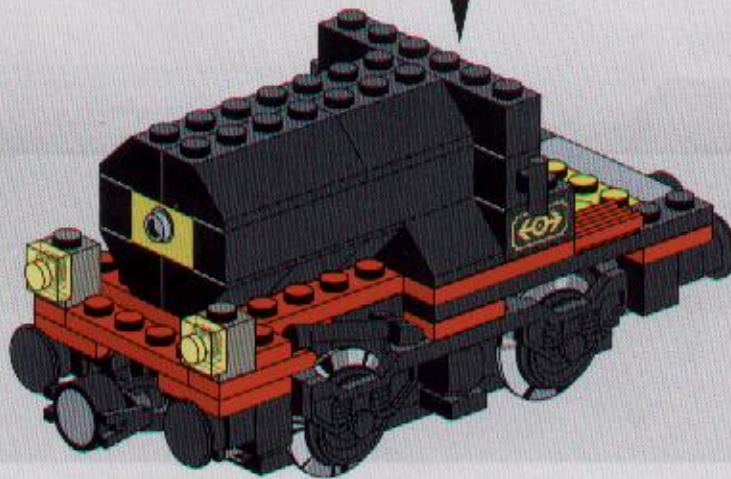
13



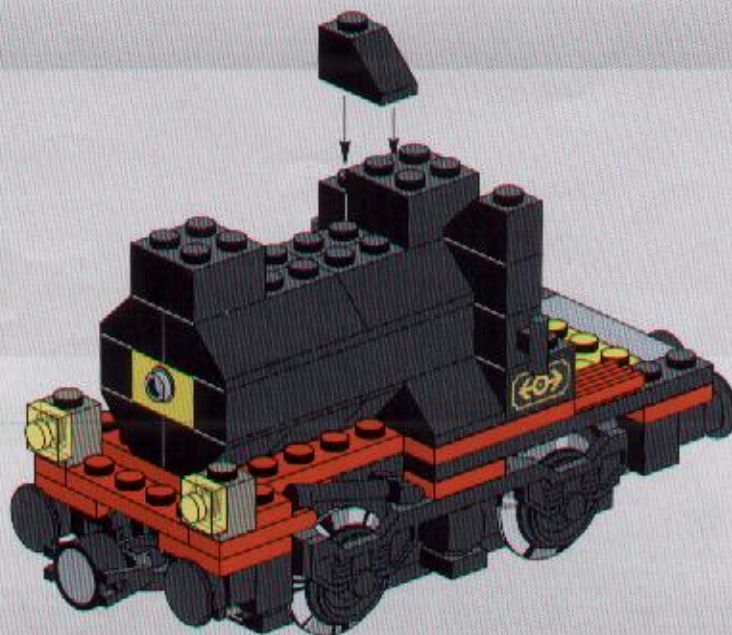
14



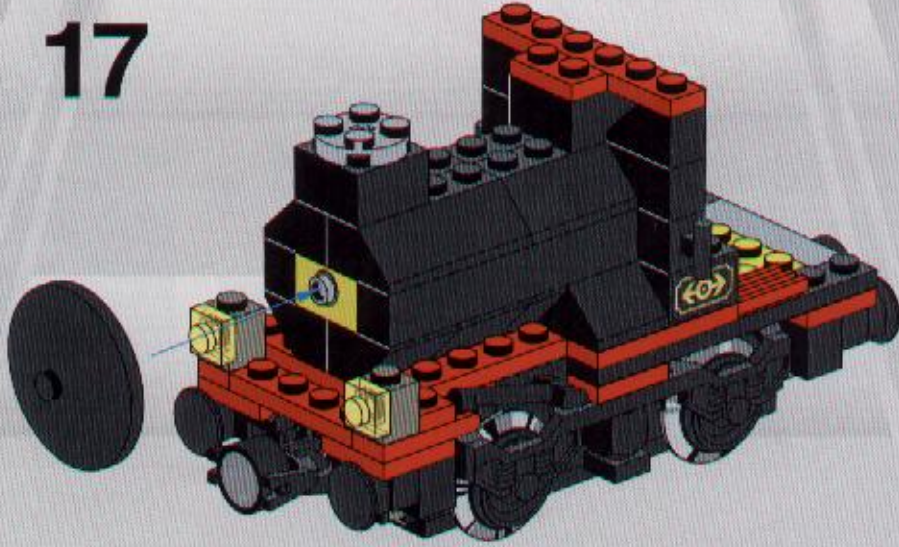
15



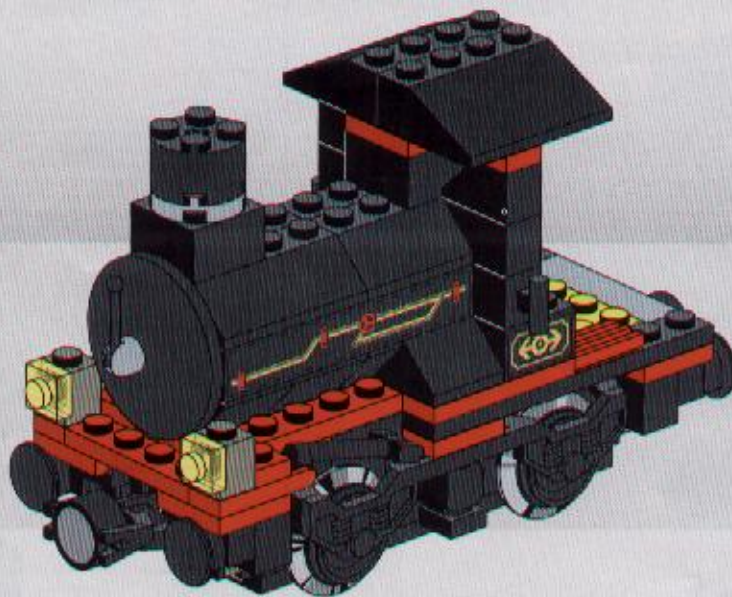
16



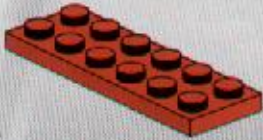
17



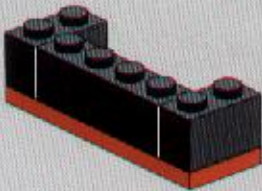
18



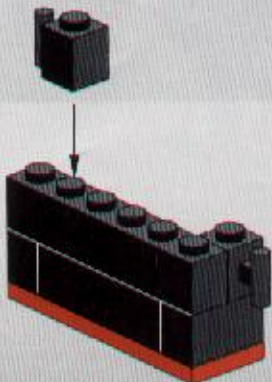
1



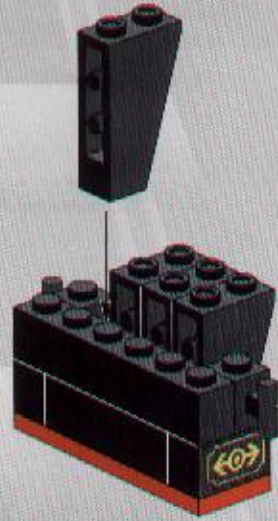
2



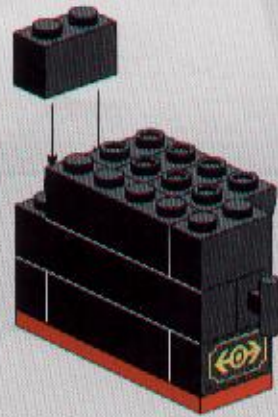
3



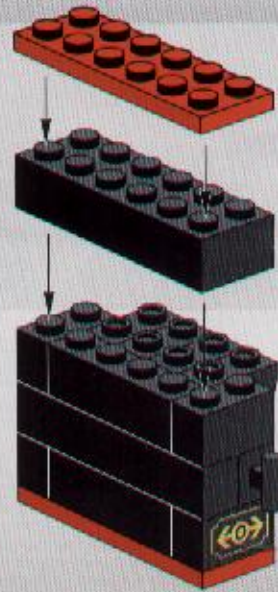
4



5



6



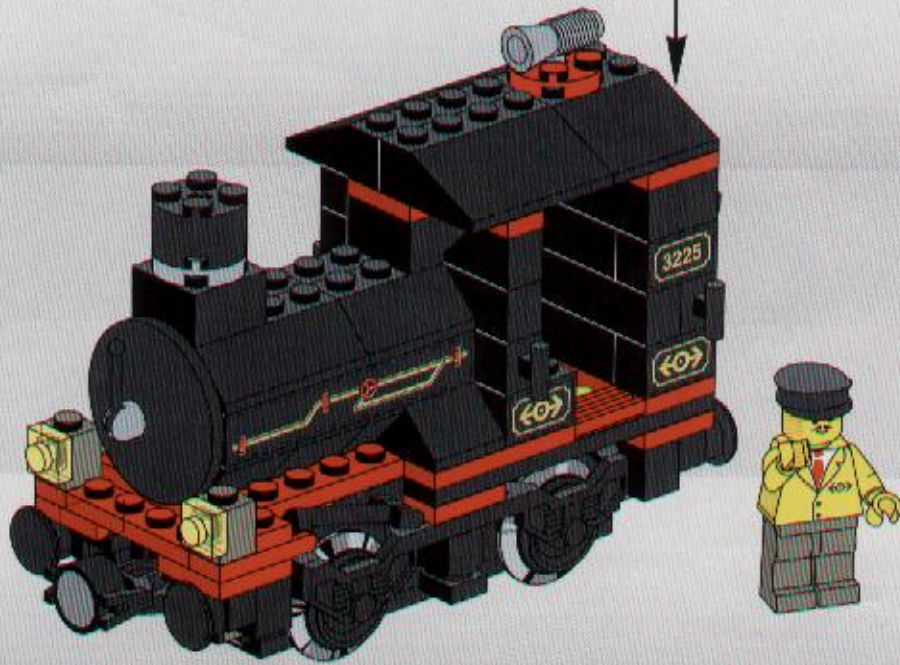
7



8

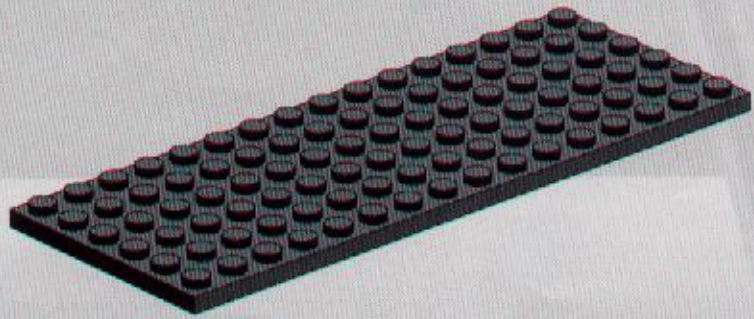


19

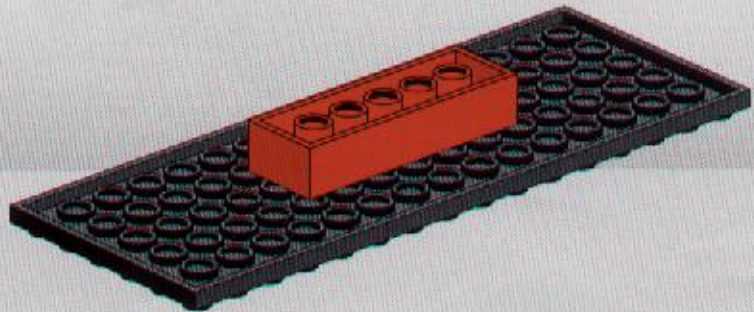


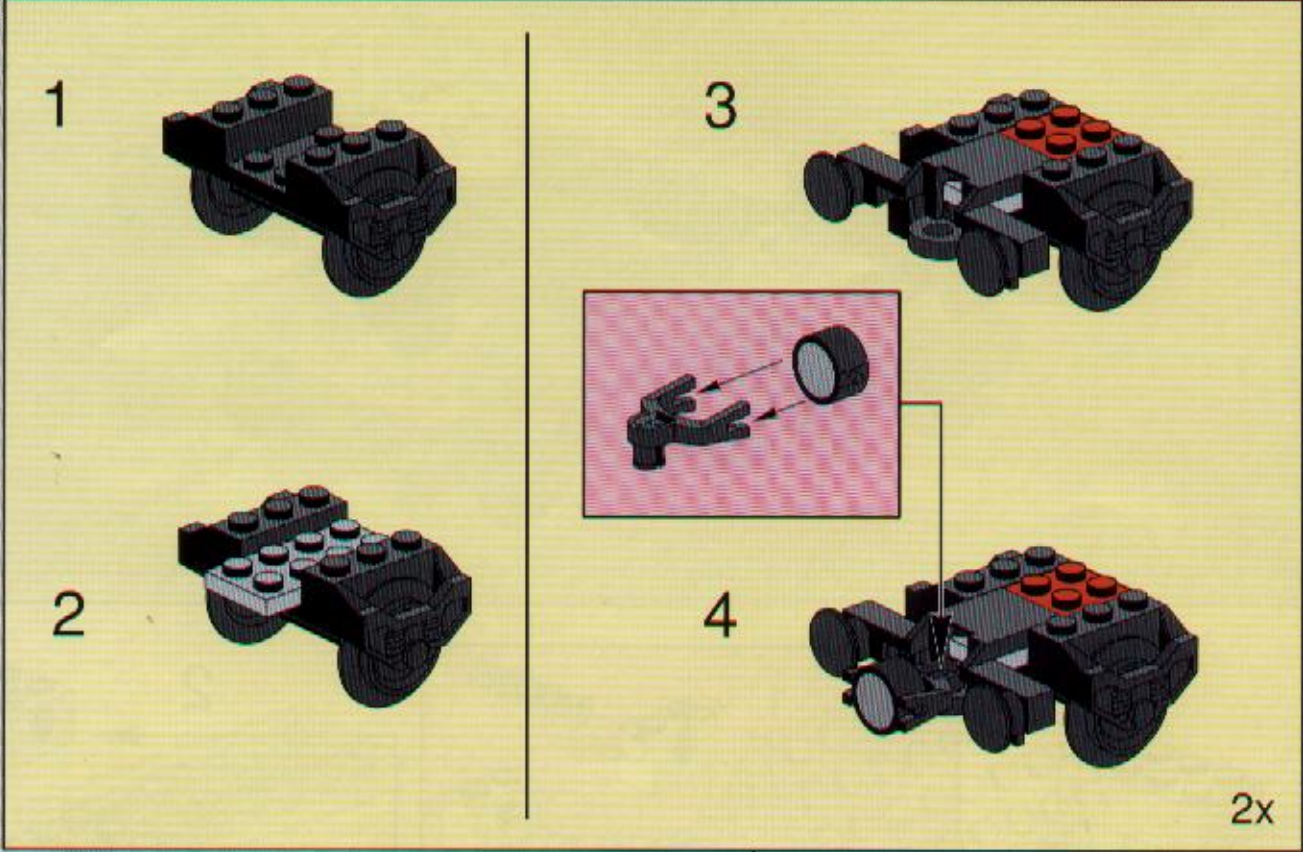


1

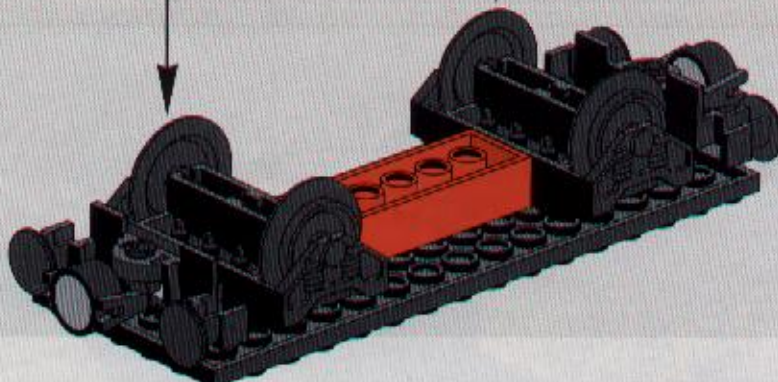


2

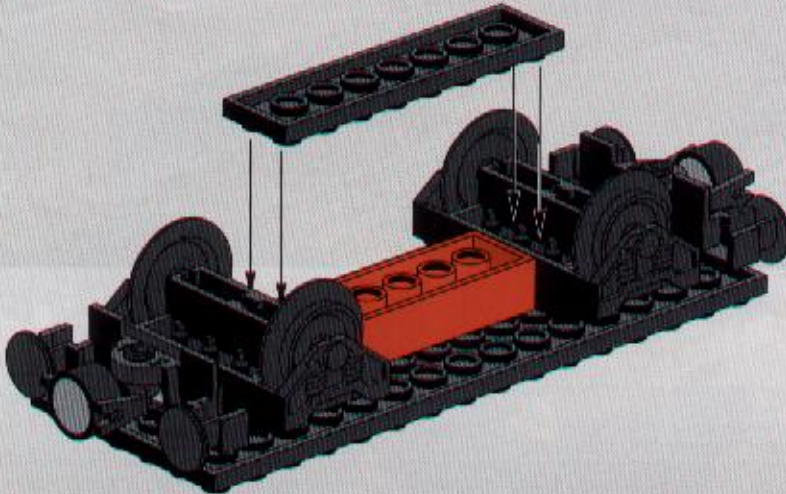




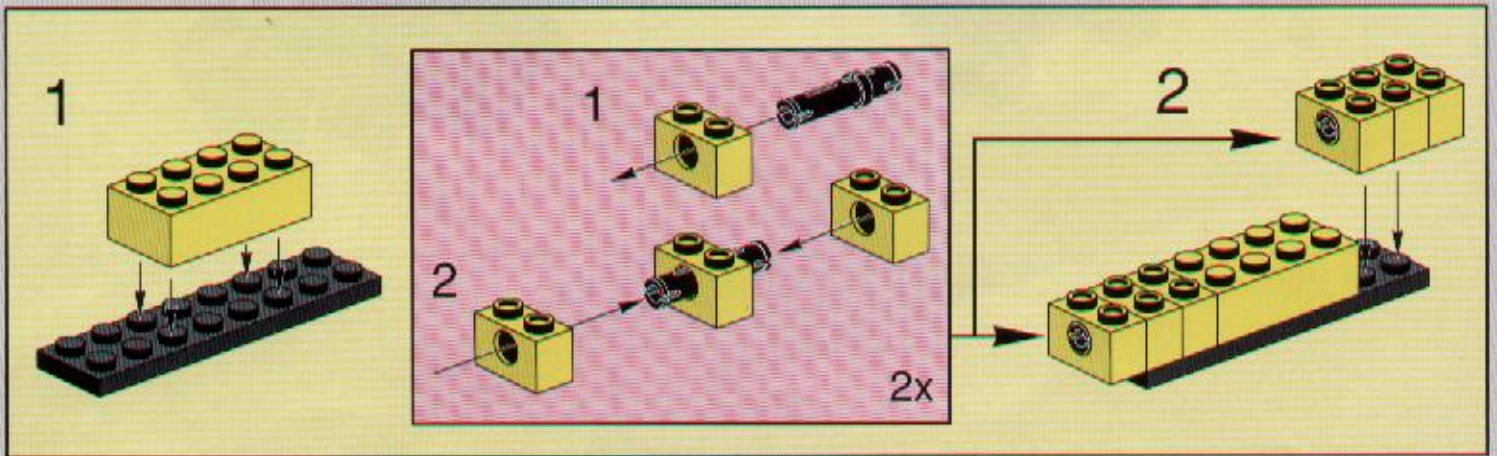
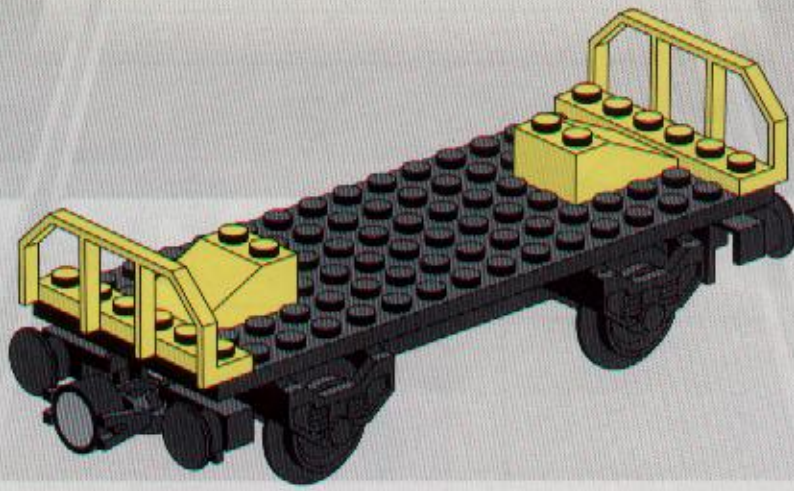
3



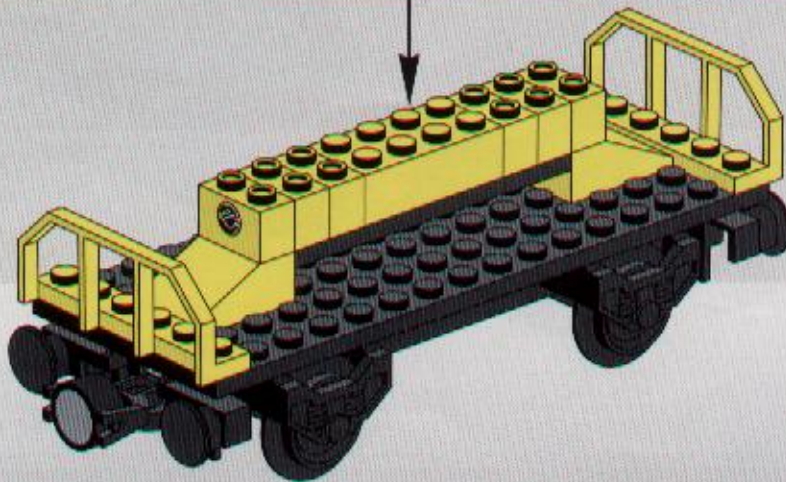
4



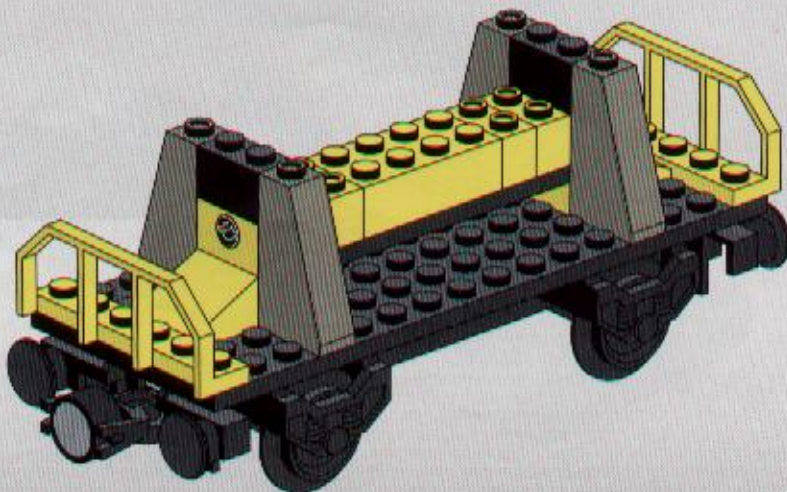
5



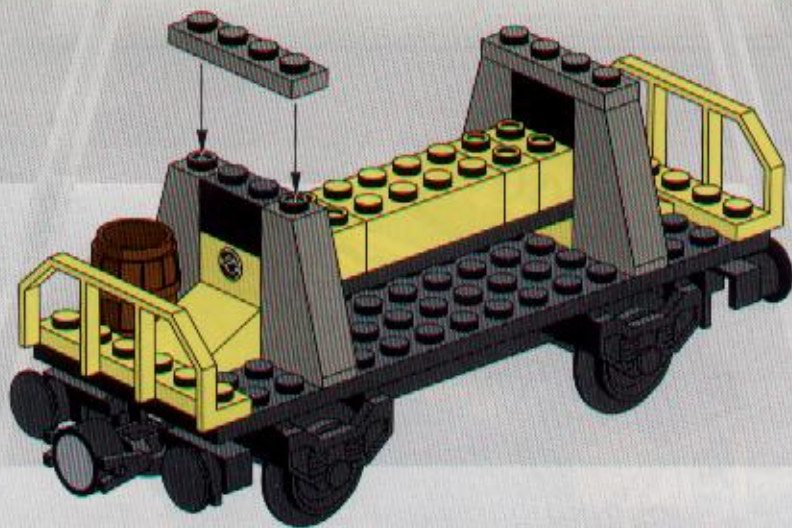
6



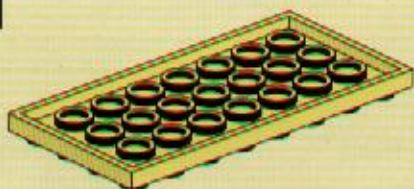
7



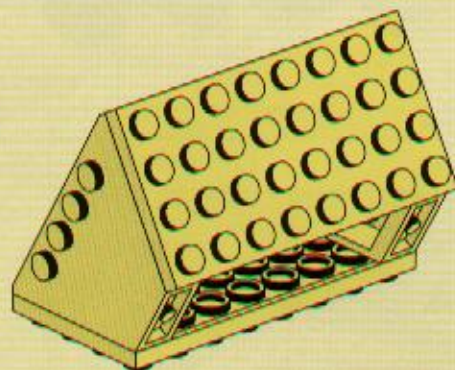
8



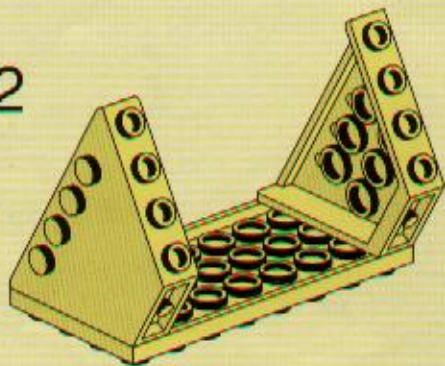
1



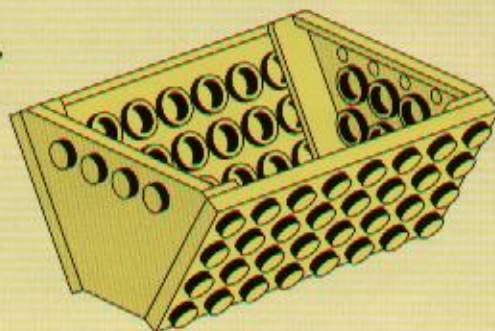
3



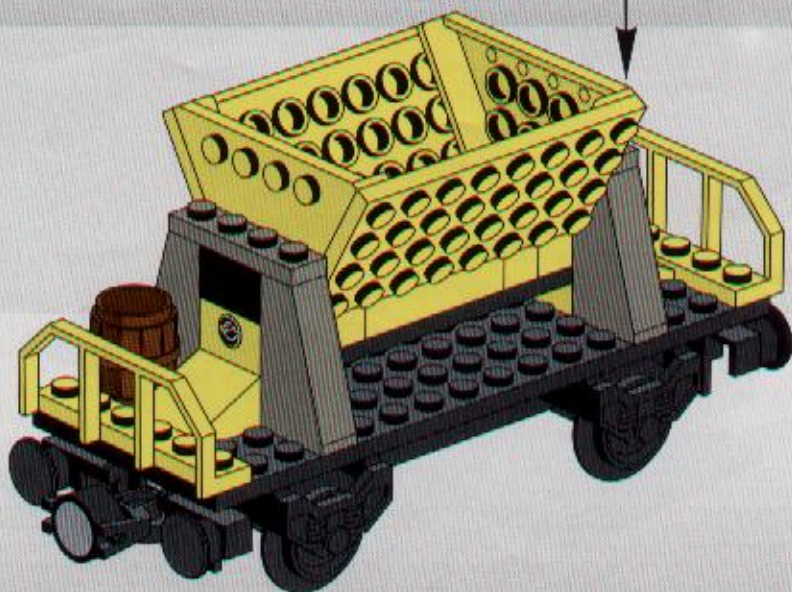
2



4

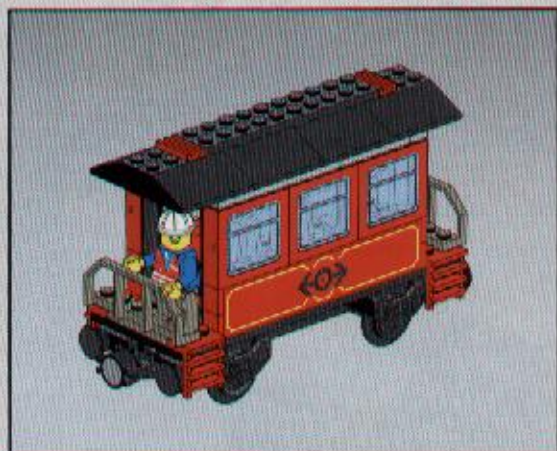
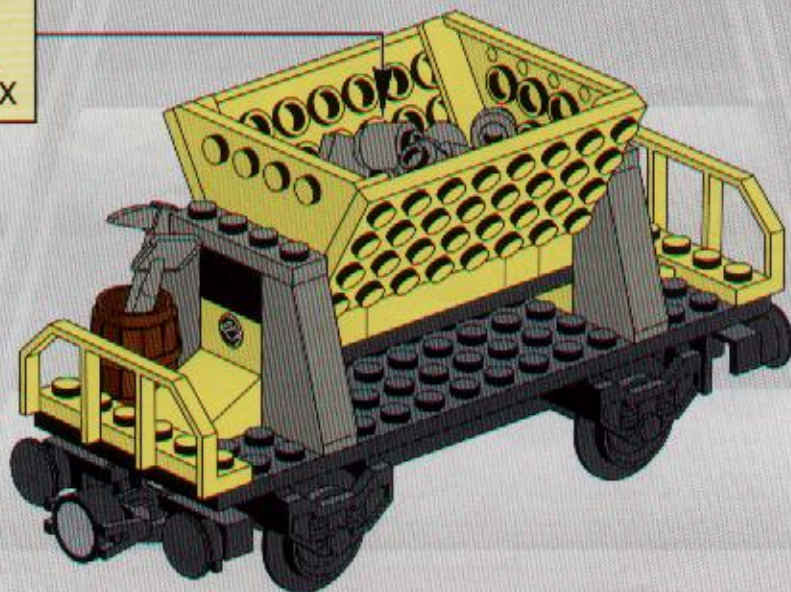


9

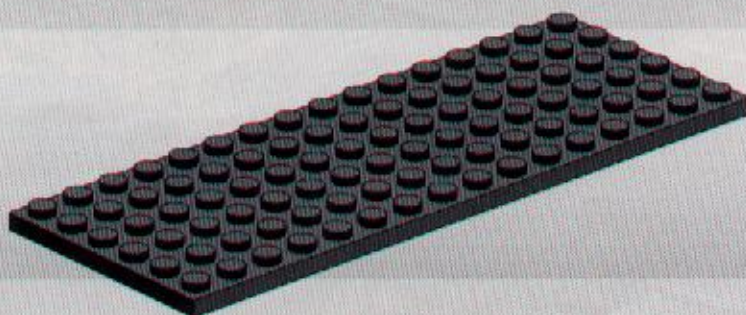




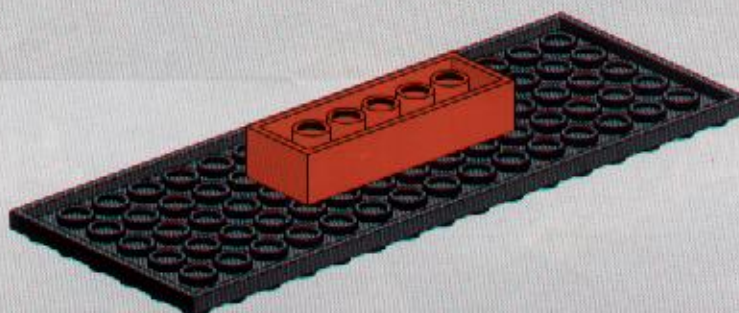
10

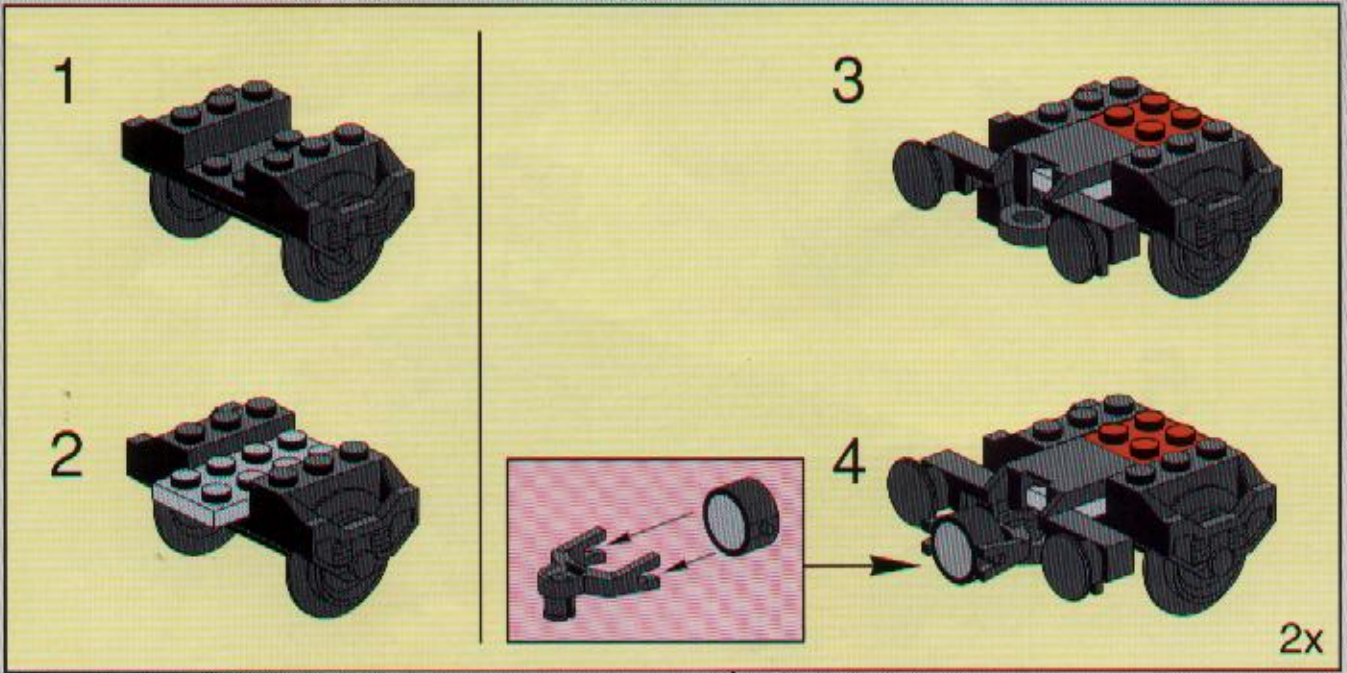


1

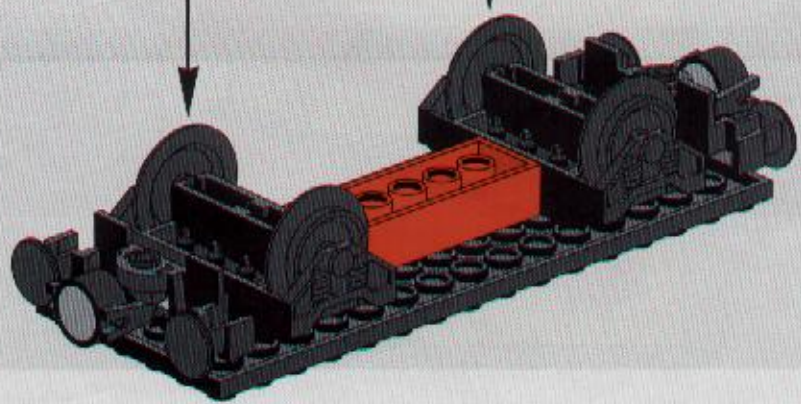


2

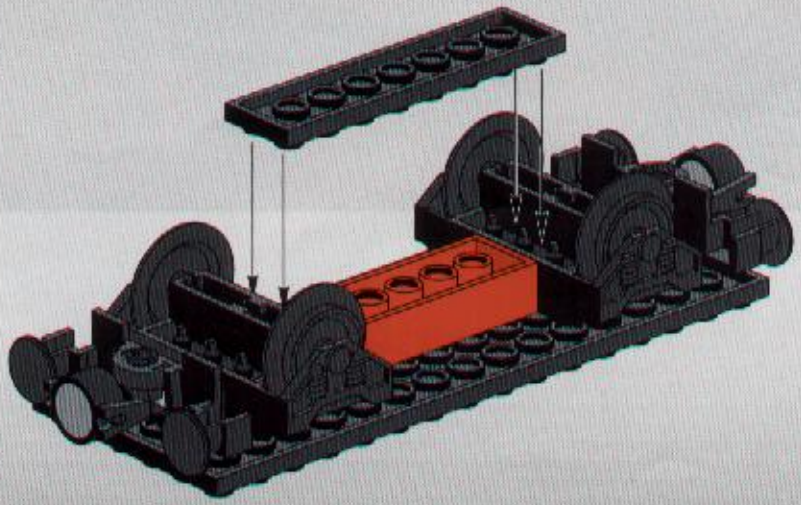




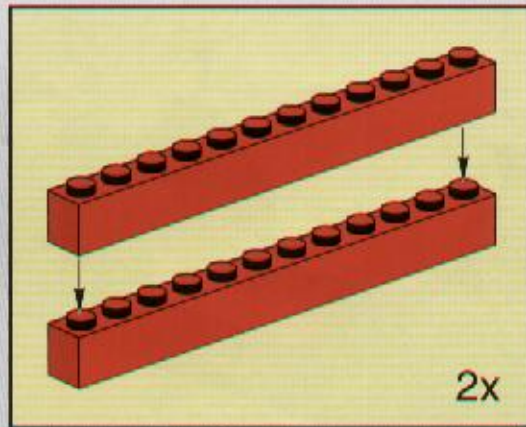
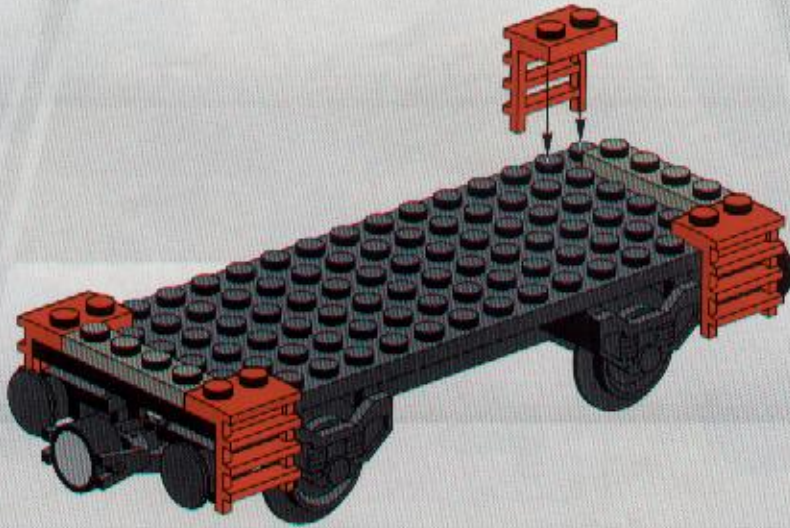
3



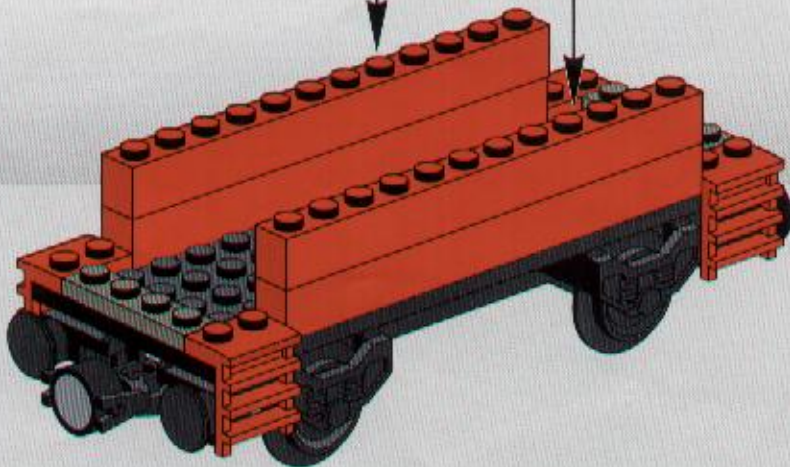
4

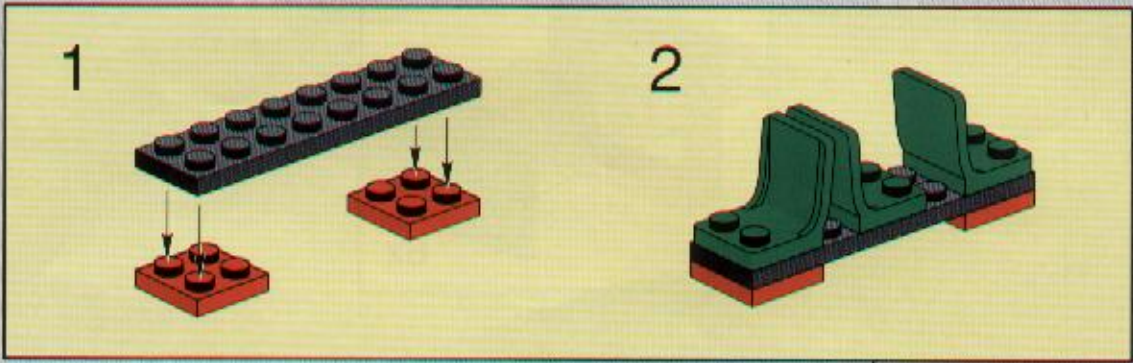


5

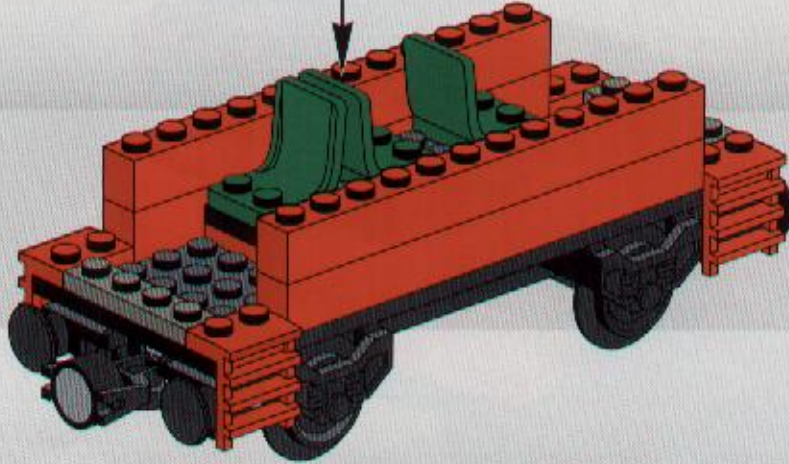


6

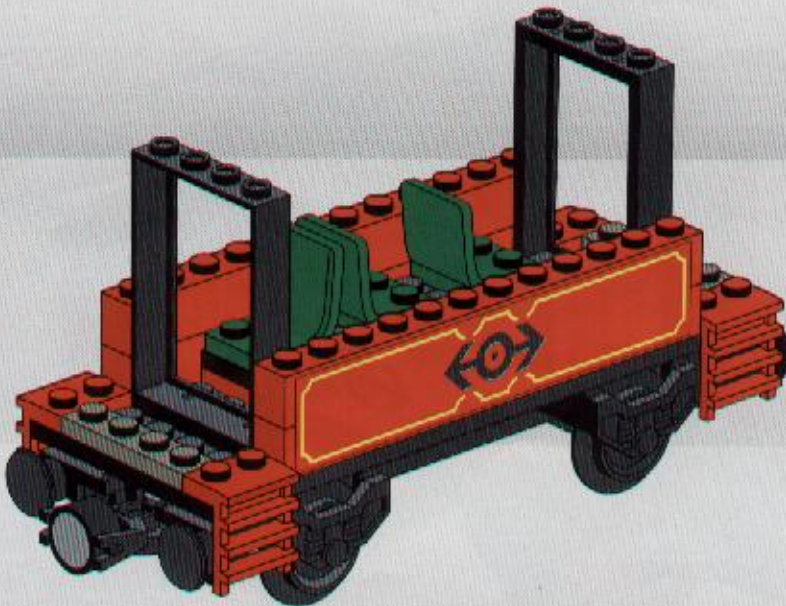


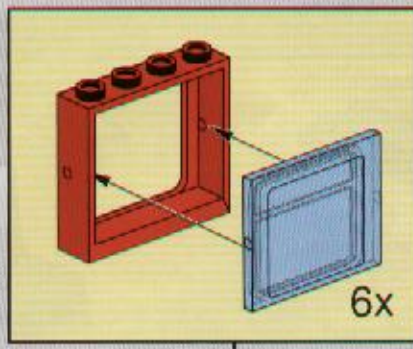


7

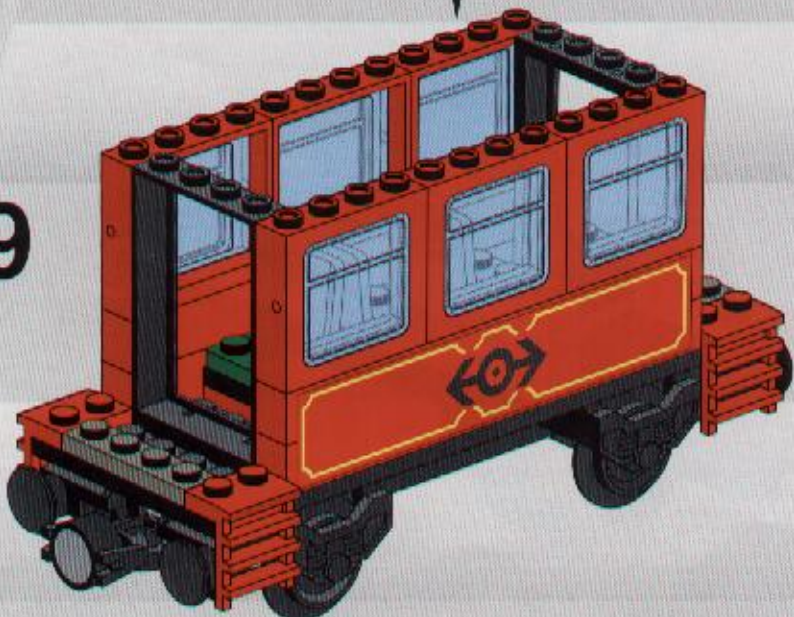


8

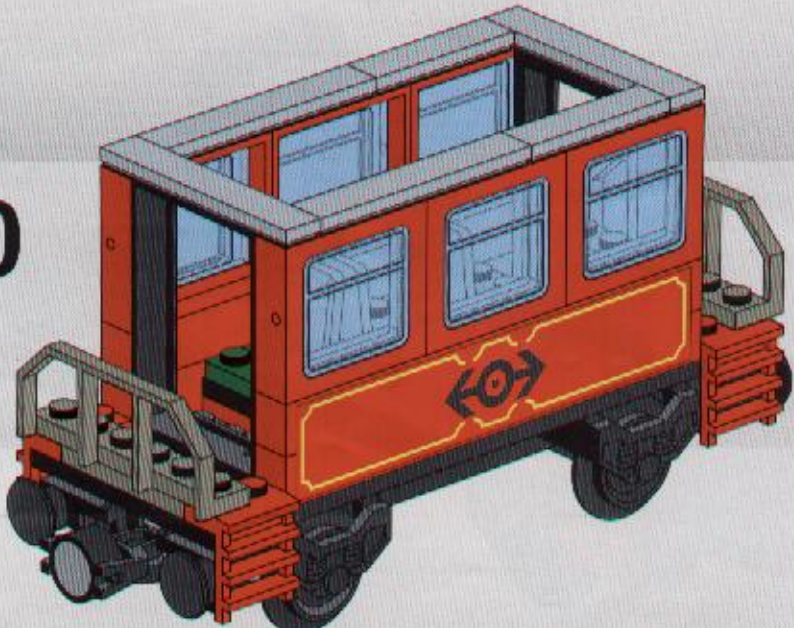


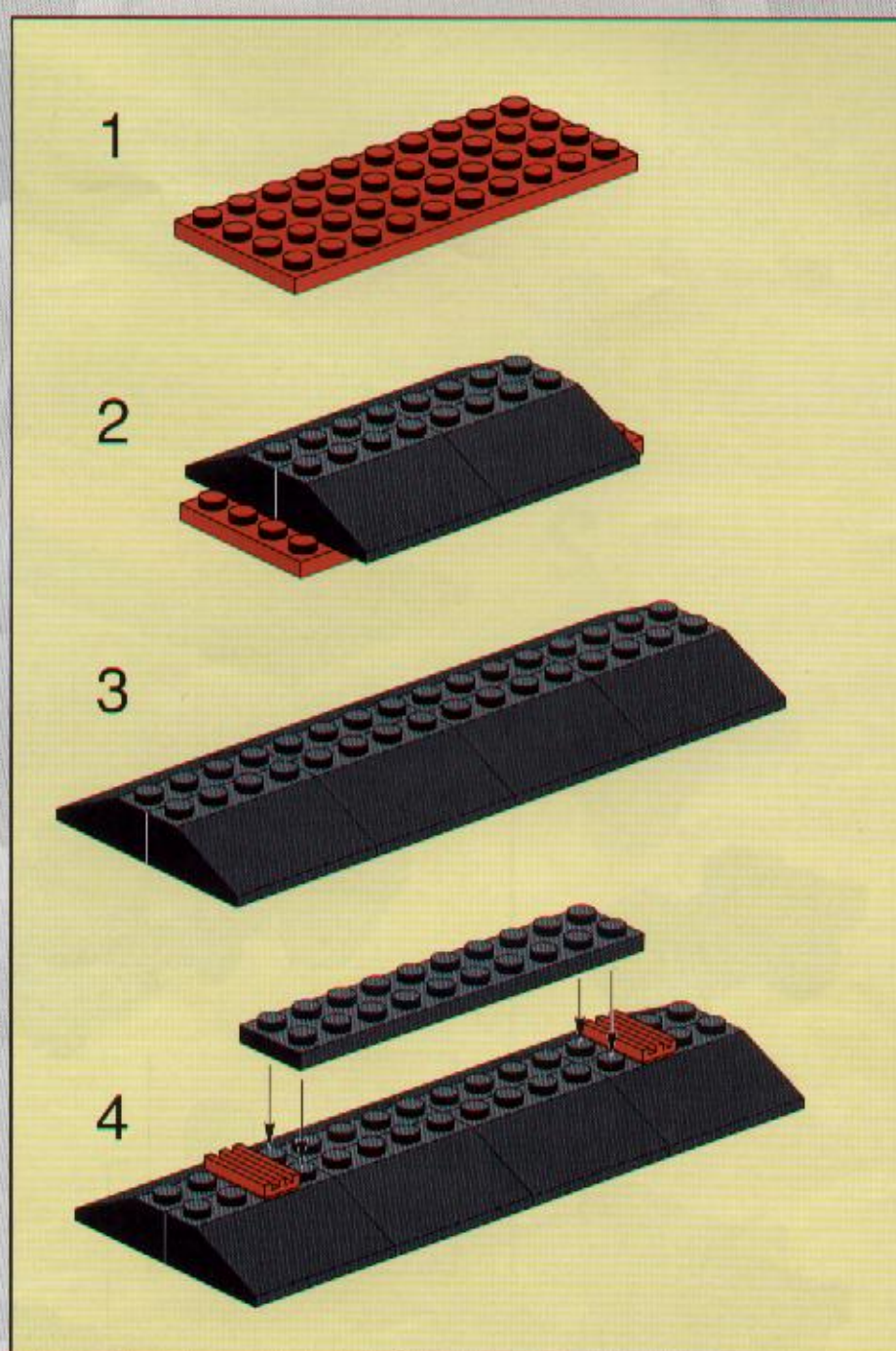


9

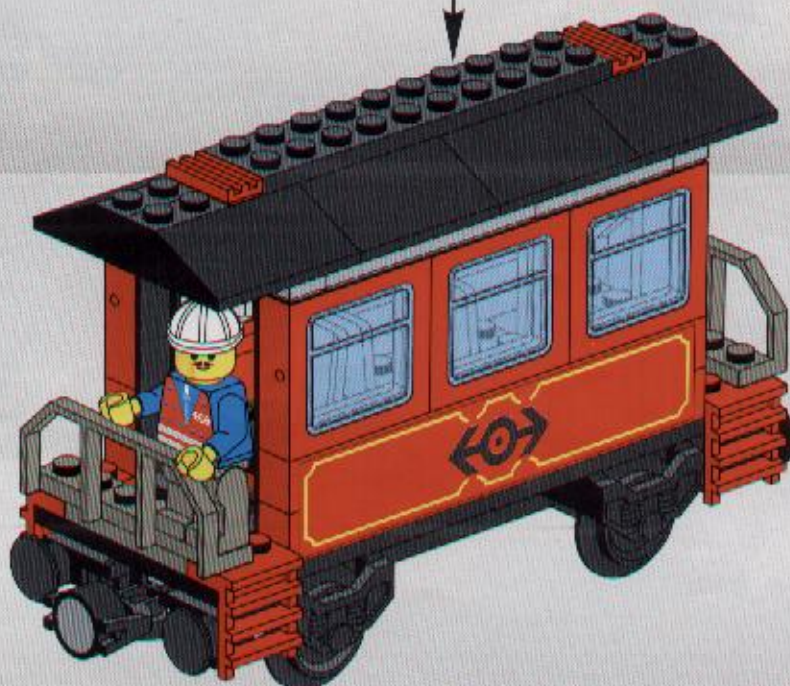


10



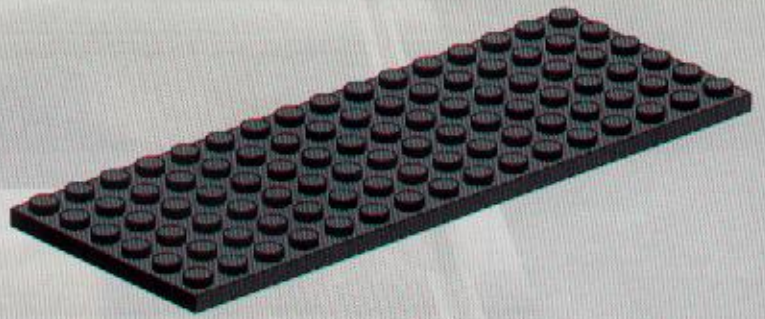


11

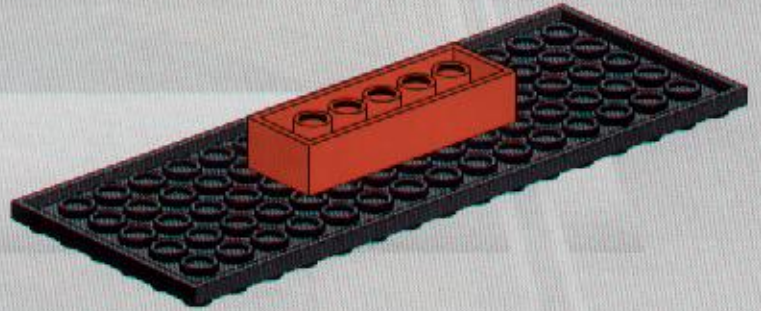




1



2



1

2

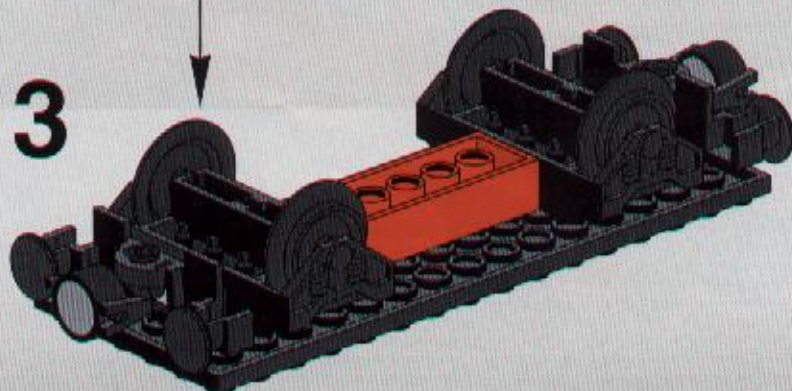
3

4

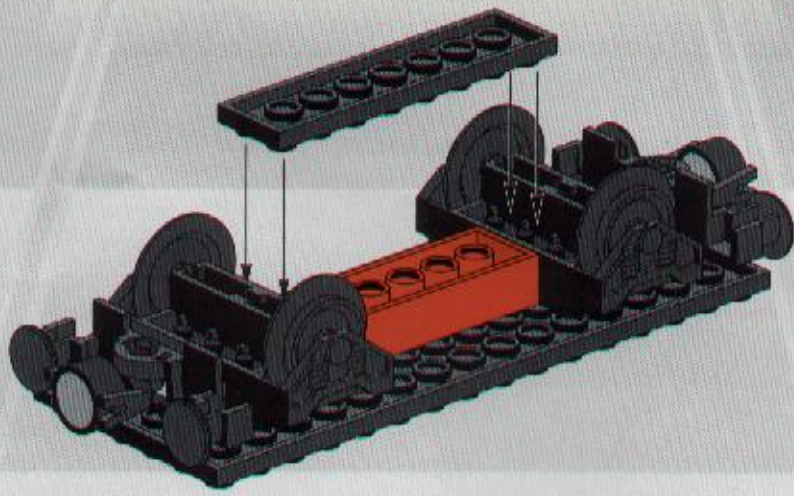
2x

This section contains four numbered steps for building a wheel assembly. Step 1 shows a black 1x3 Technic brick with a wheel axle. Step 2 shows a grey 1x3 Technic brick being added to the top of the black brick. Step 3 shows a black 1x3 Technic brick with a wheel axle being added to the side. Step 4 shows another black 1x3 Technic brick with a wheel axle being added to the other side. A pink inset shows a black axle being inserted into a hole. The number '2x' is in the bottom right corner.

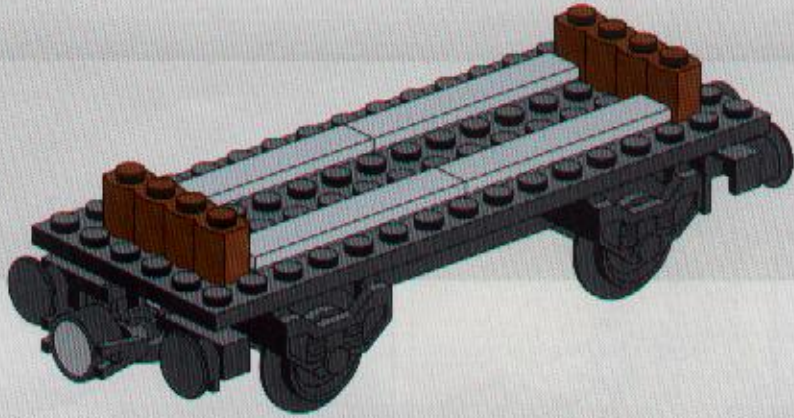
3



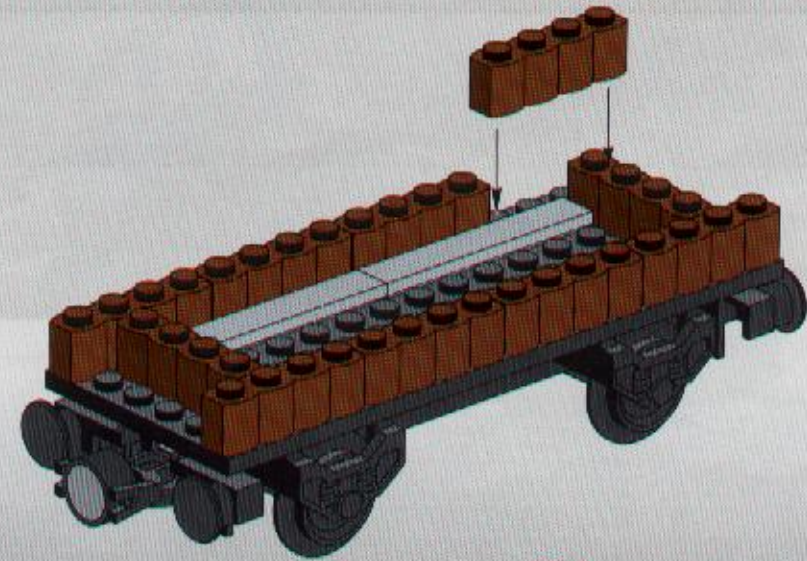
4



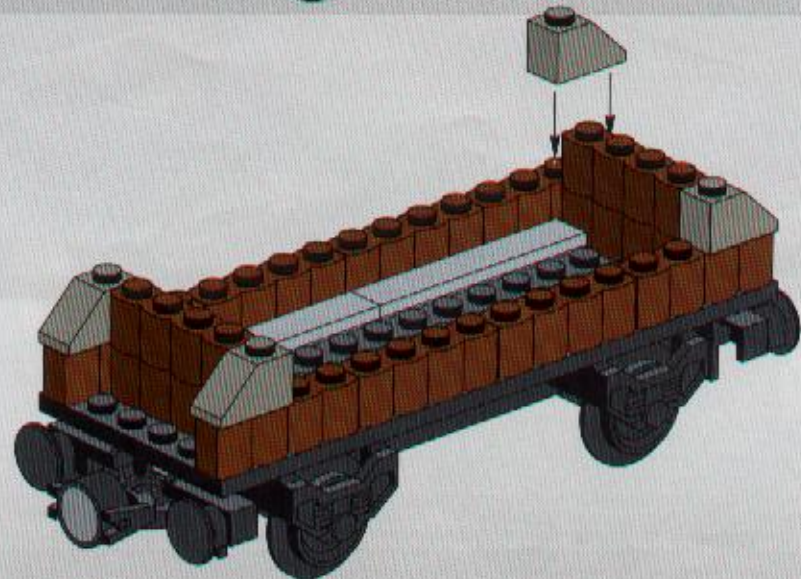
5



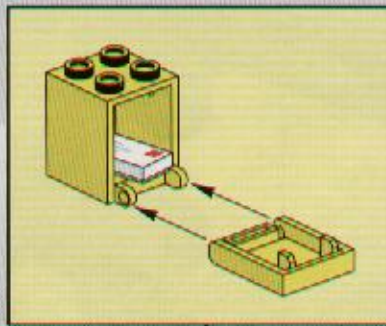
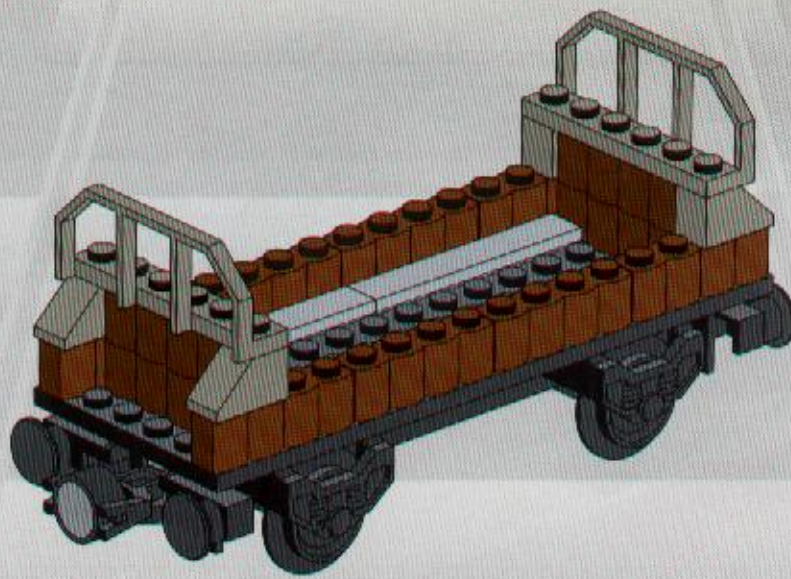
6



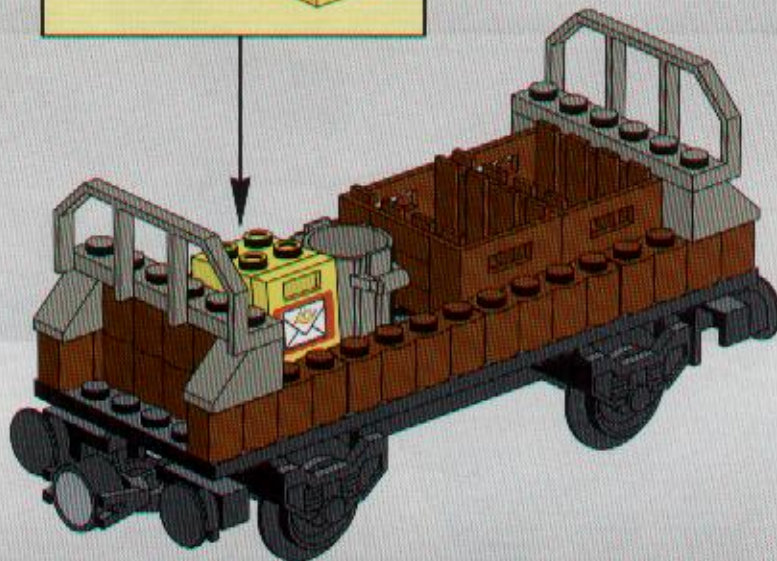
7



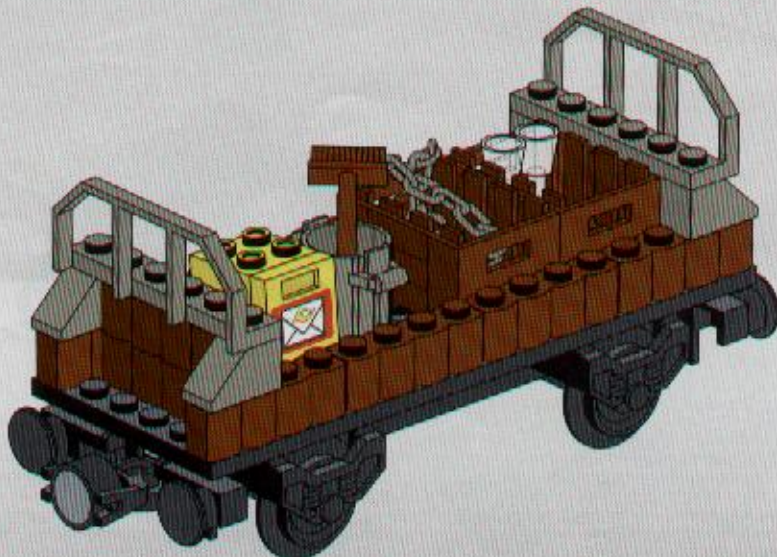
8



9

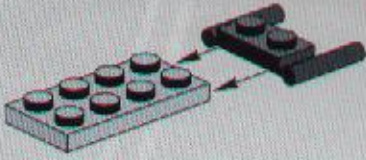


10

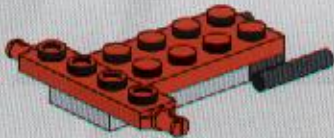




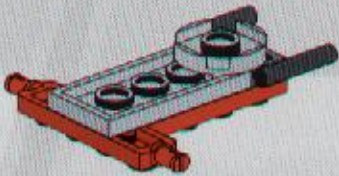
1



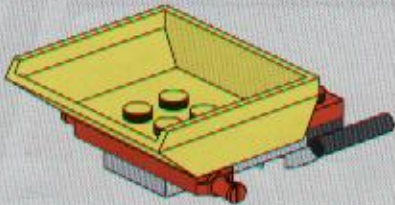
2



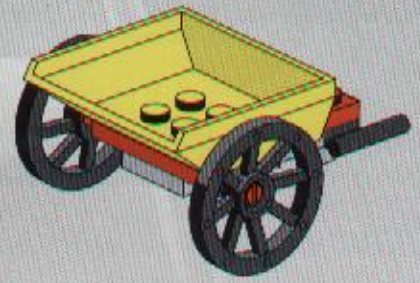
3



4



5



6







22109/4121584 © 1998 LEGO GROUP

