

# BIONICLE®

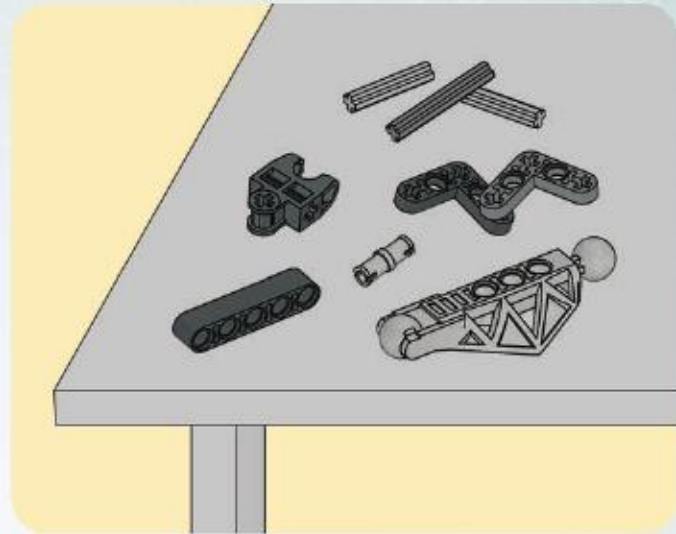
TOA IGNIKA



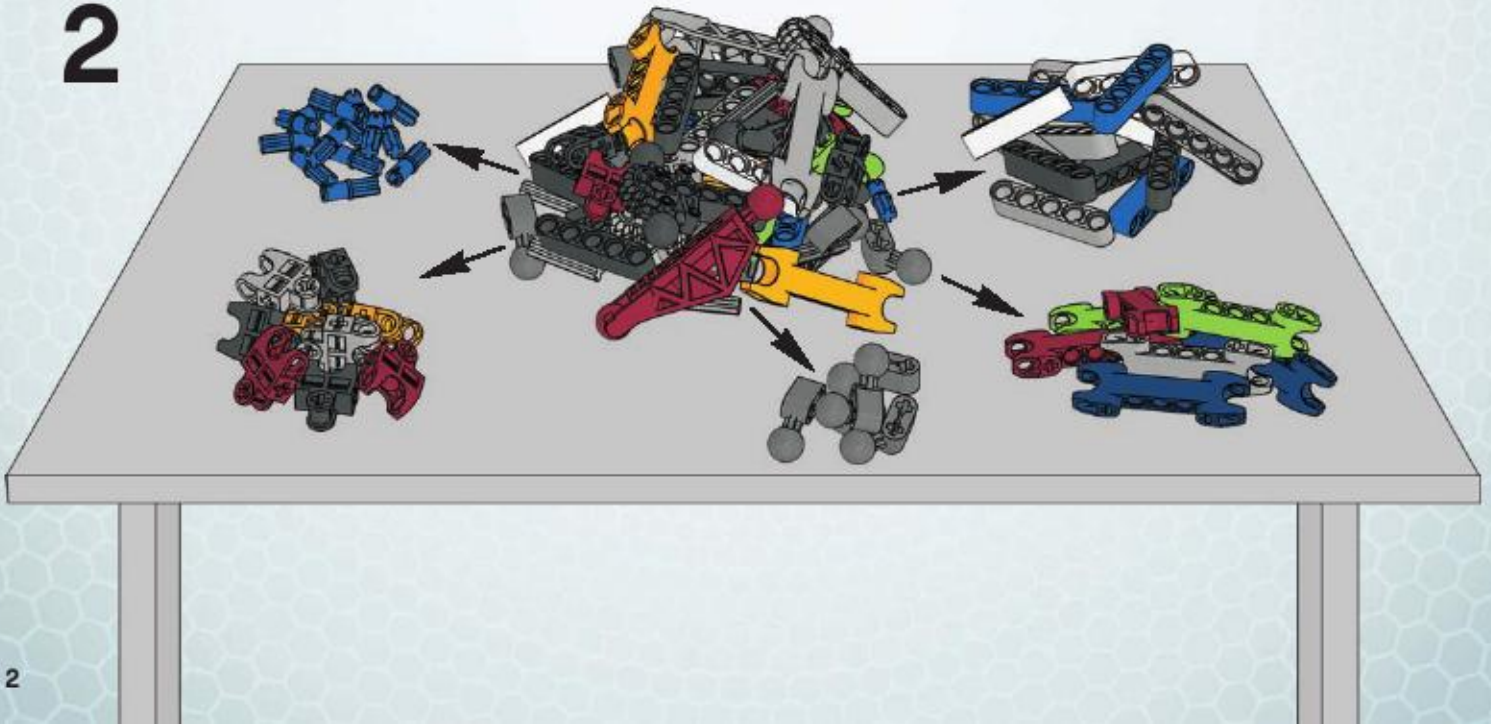
8697



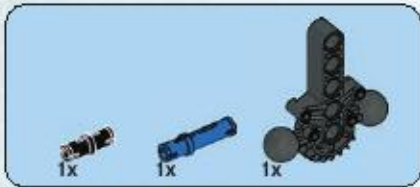
1



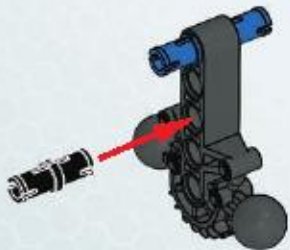
2



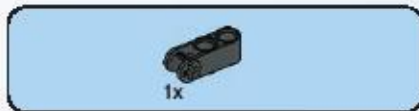
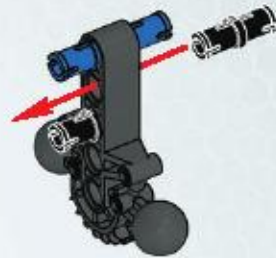




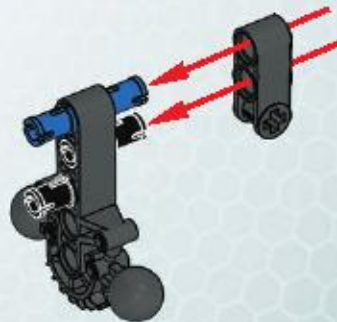
1



2

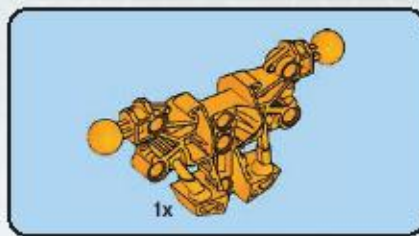
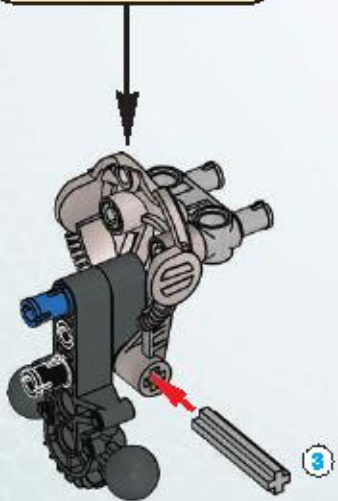
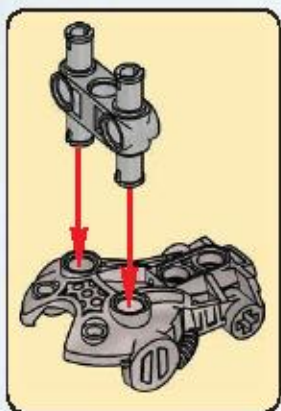


3

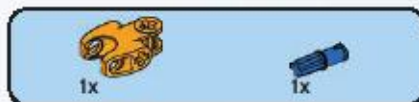
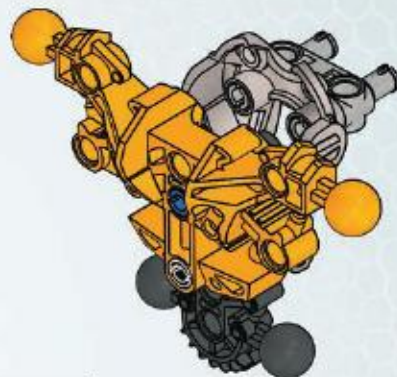




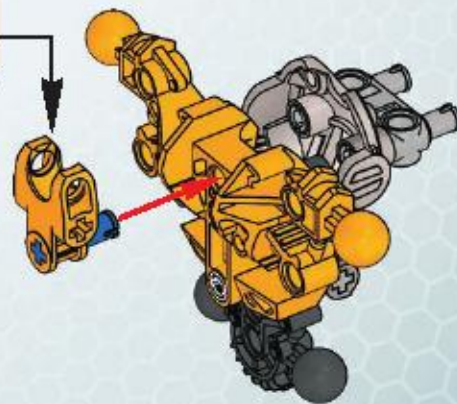
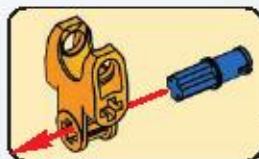
4

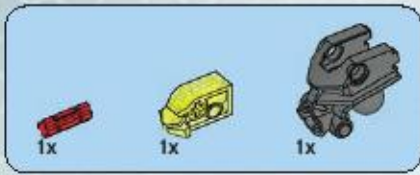


5

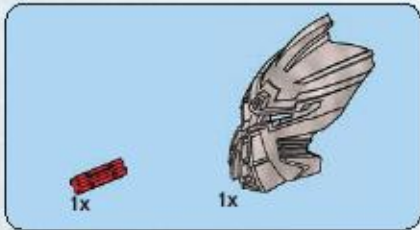
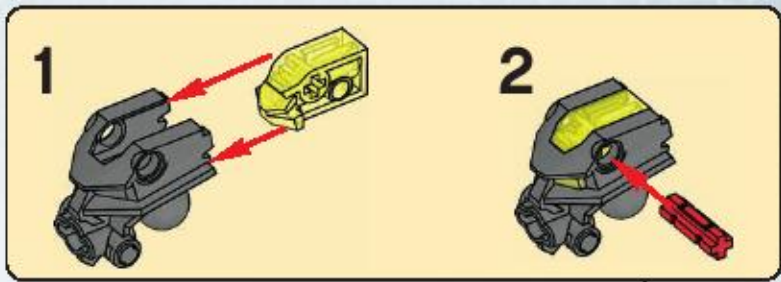


6

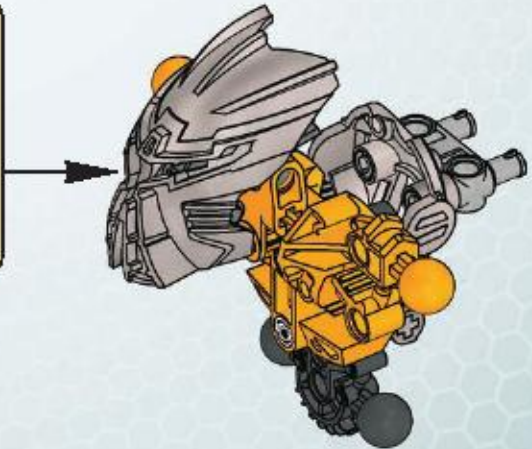
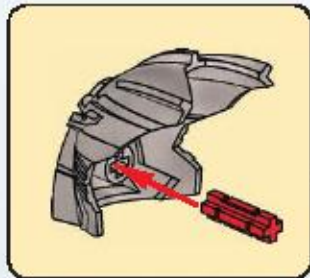


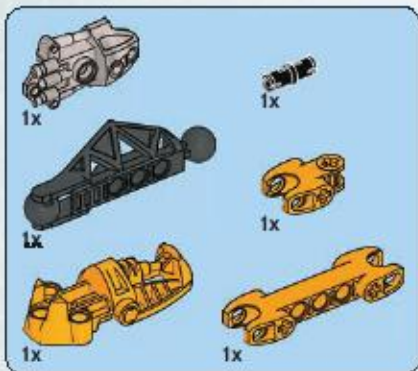


7

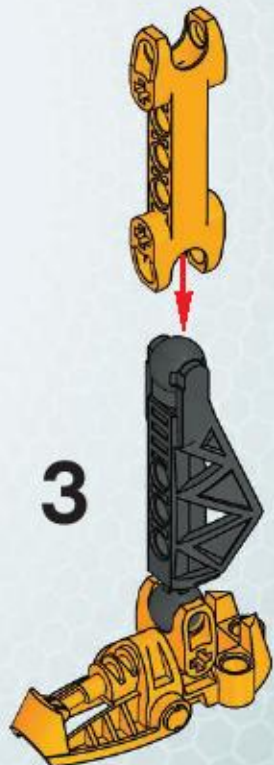
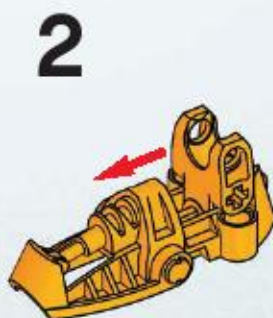
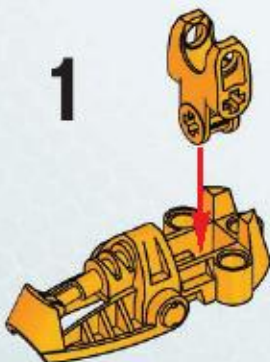


8

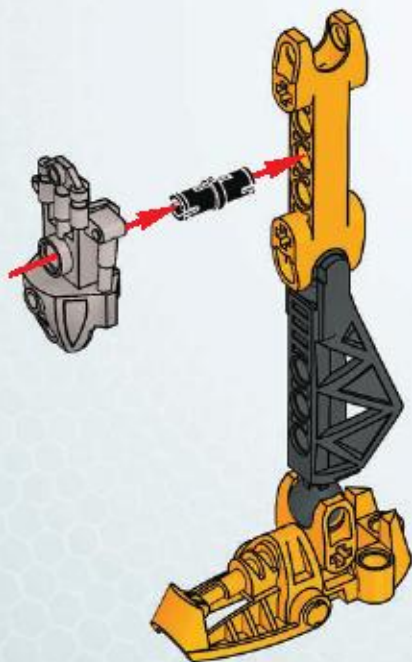




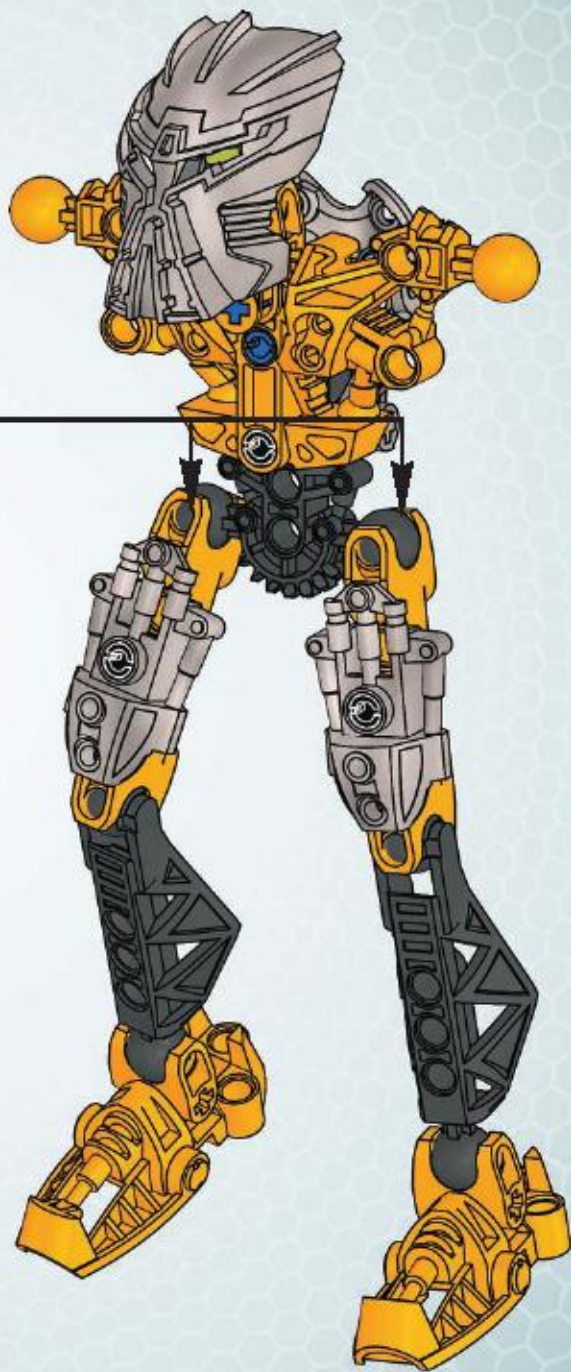
9



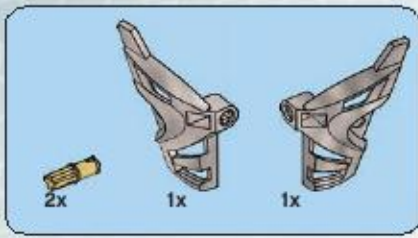
4



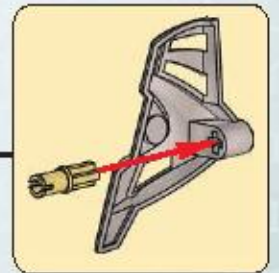
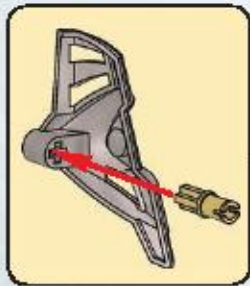
2x

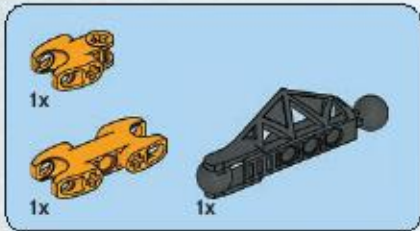




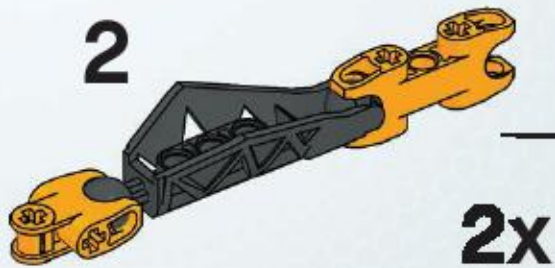
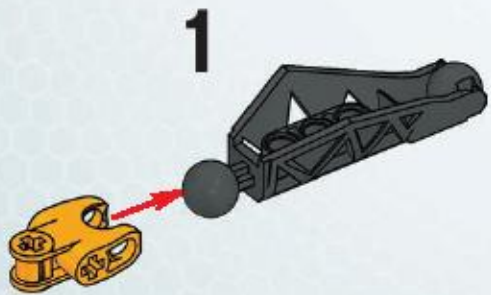


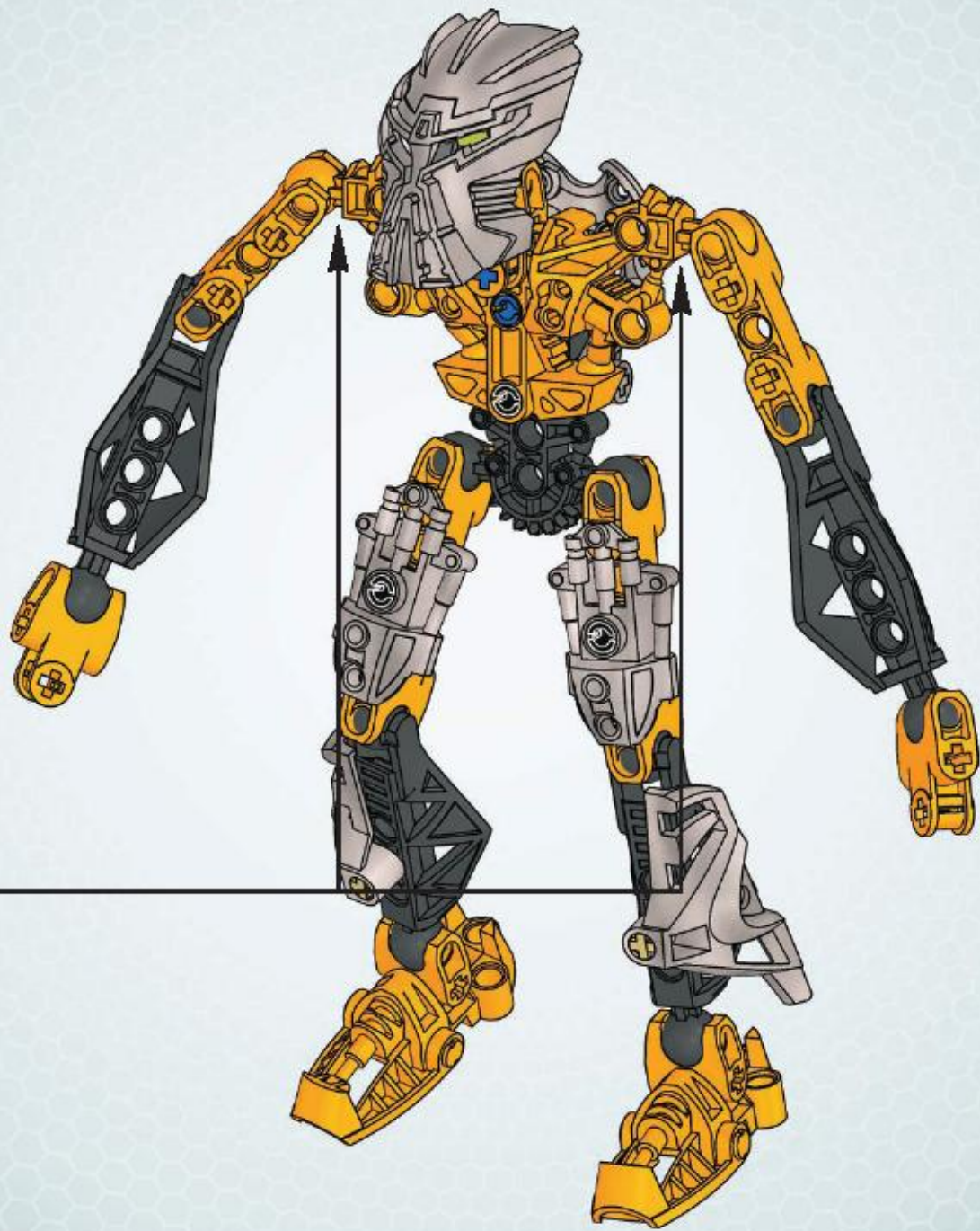
10





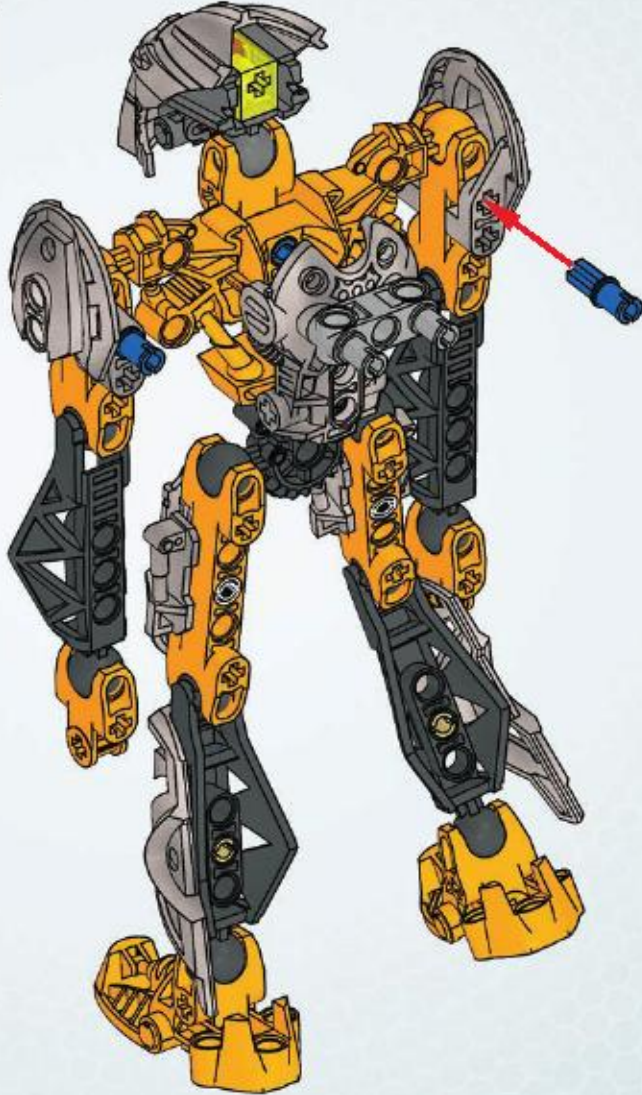
# 11





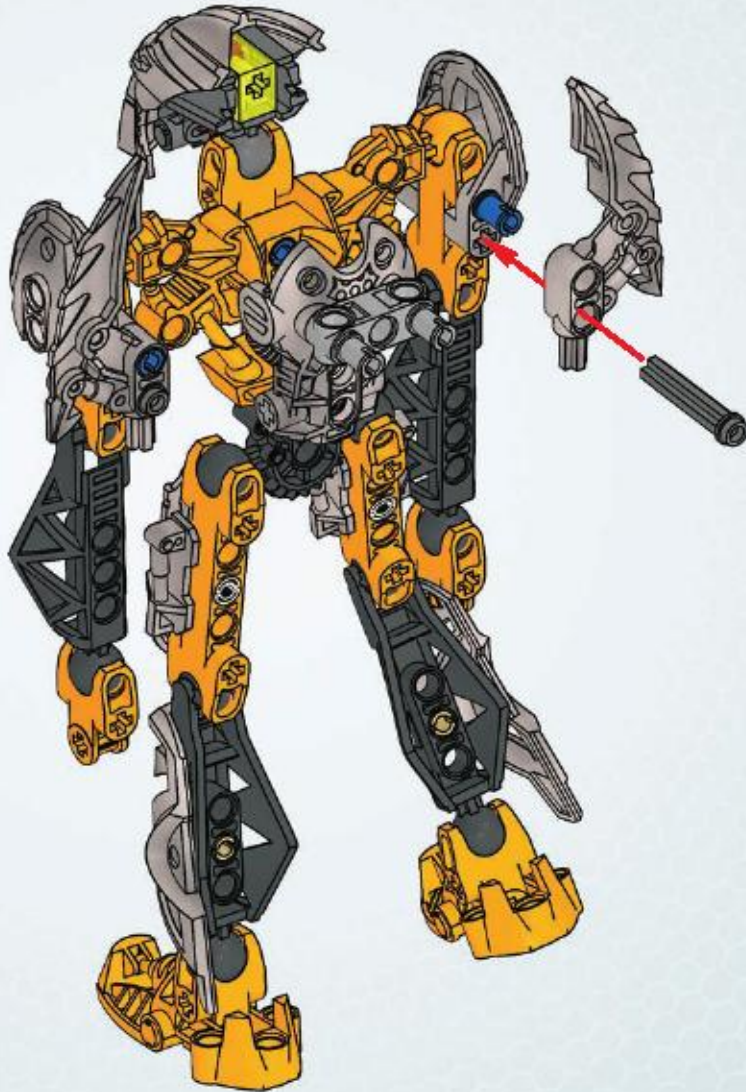


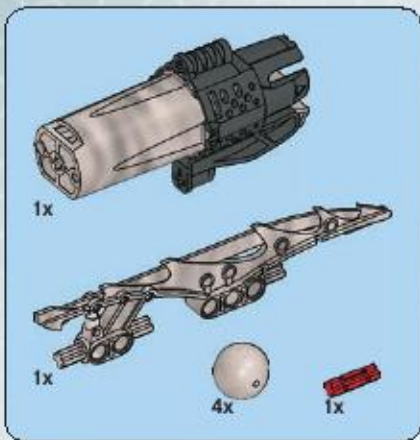
12



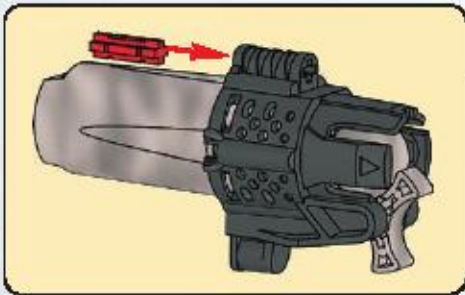
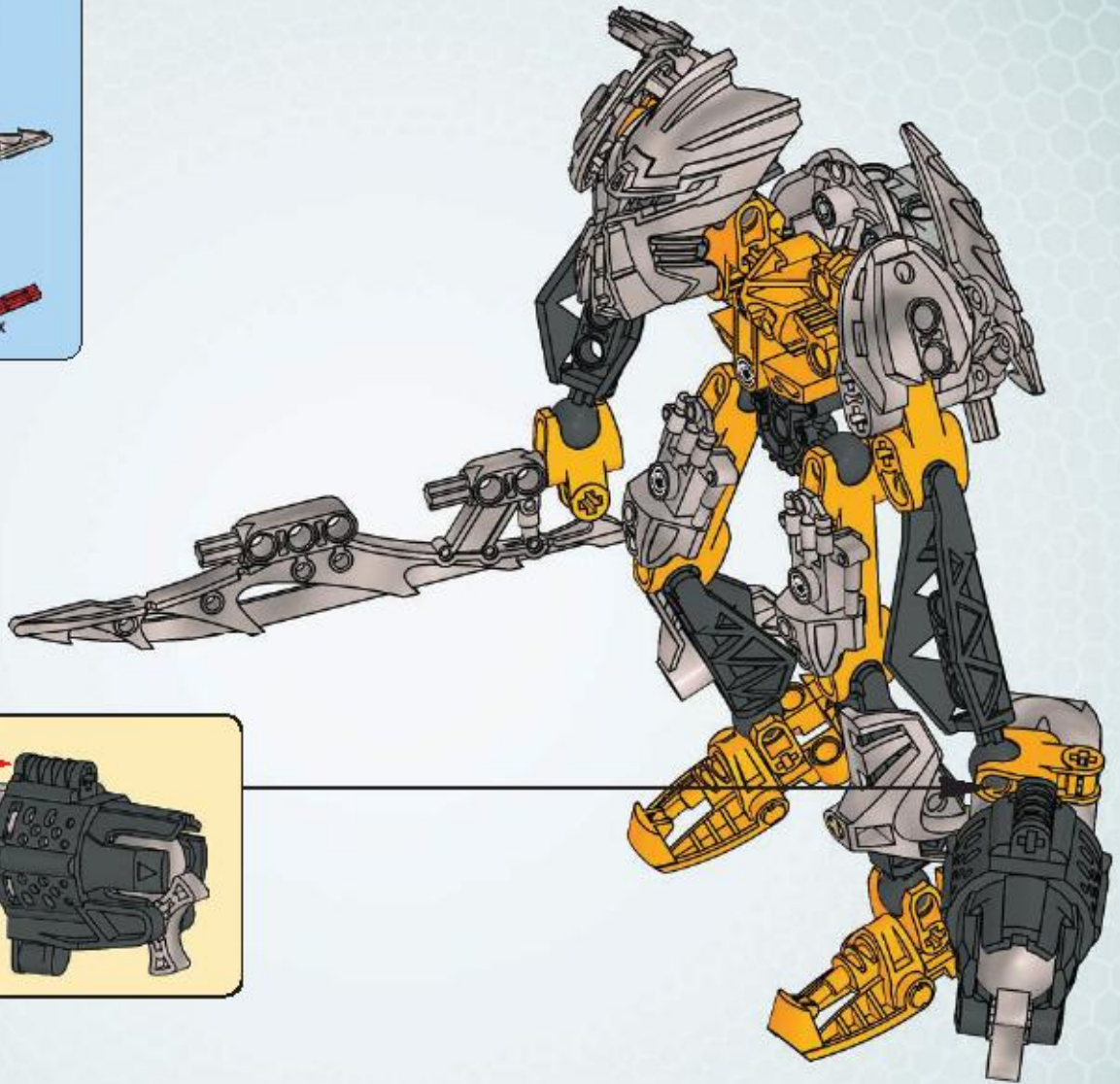


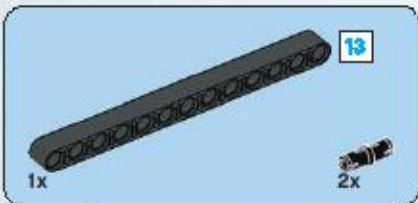
13



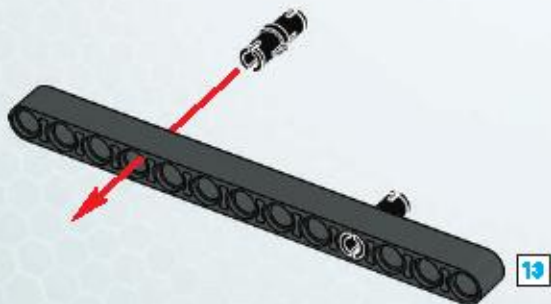


14

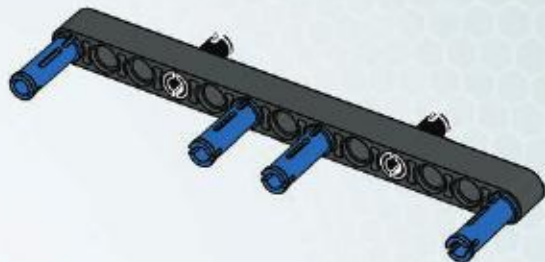




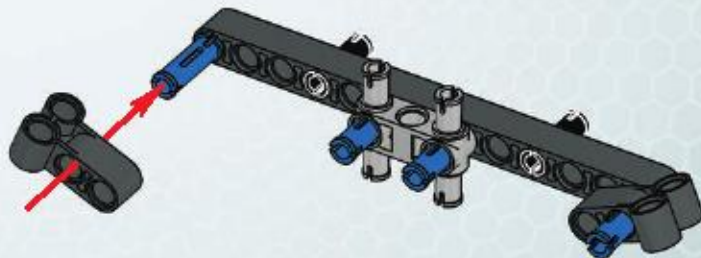
1

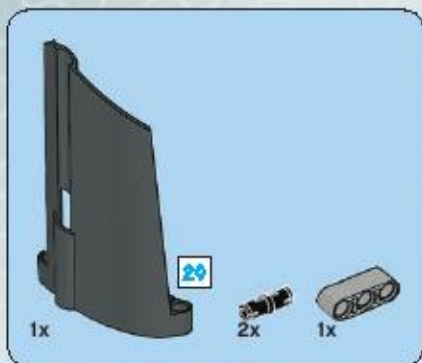


2

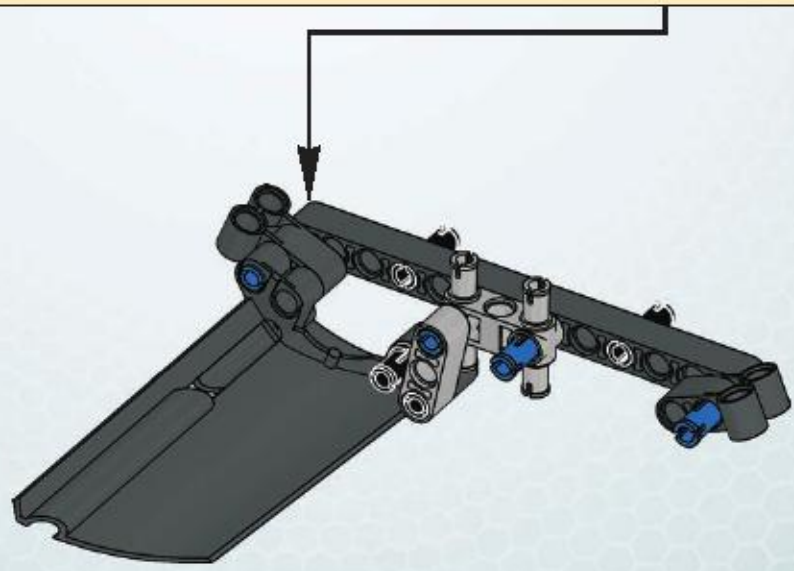
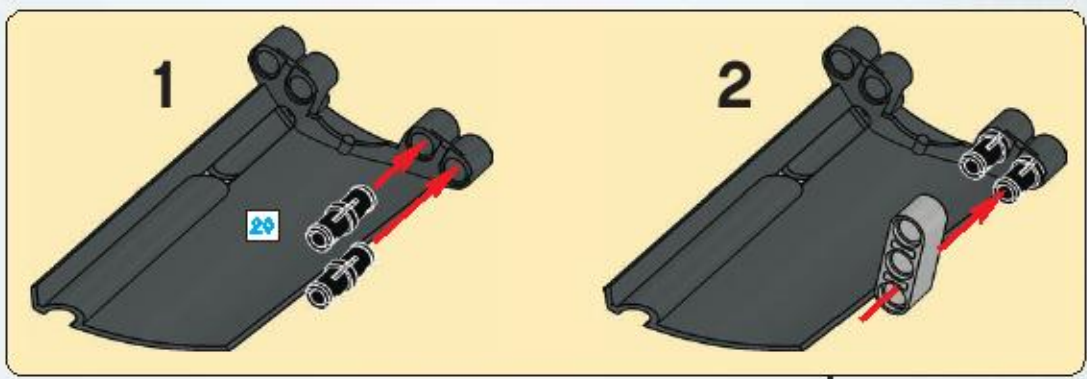


3

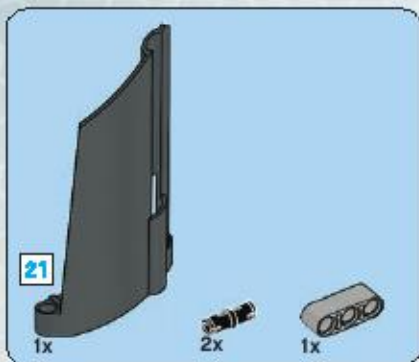




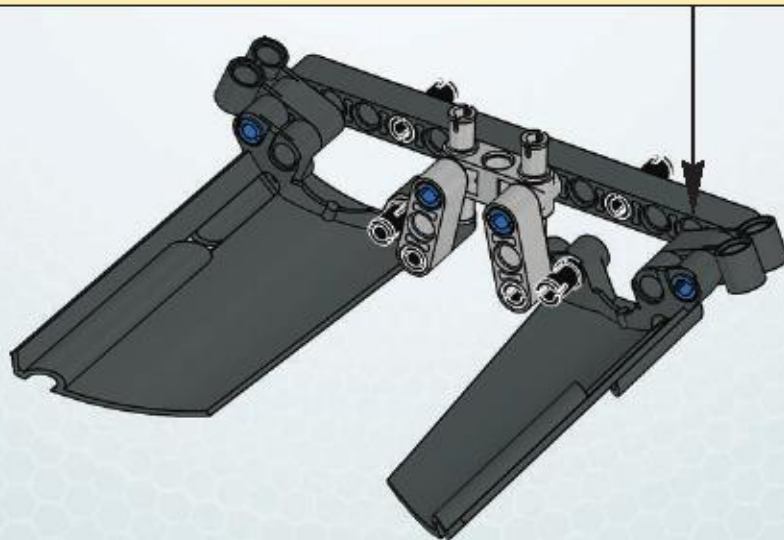
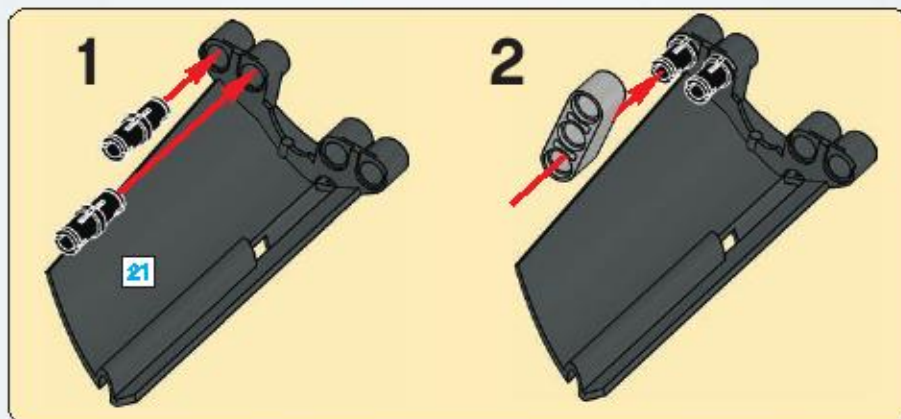
4

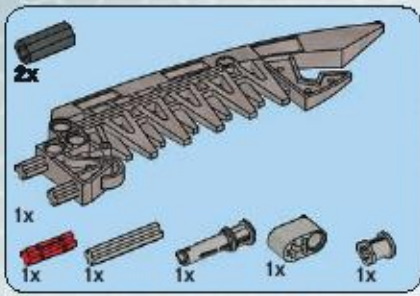






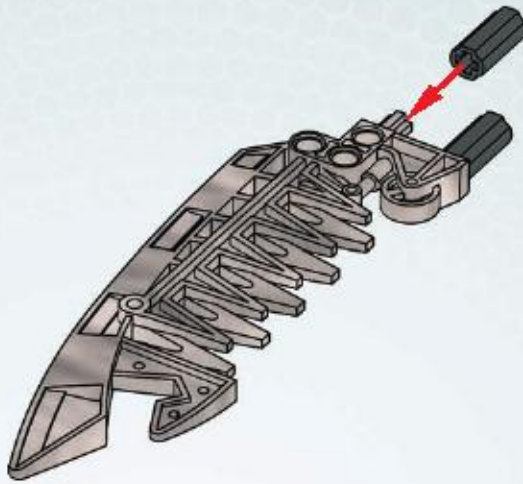
5



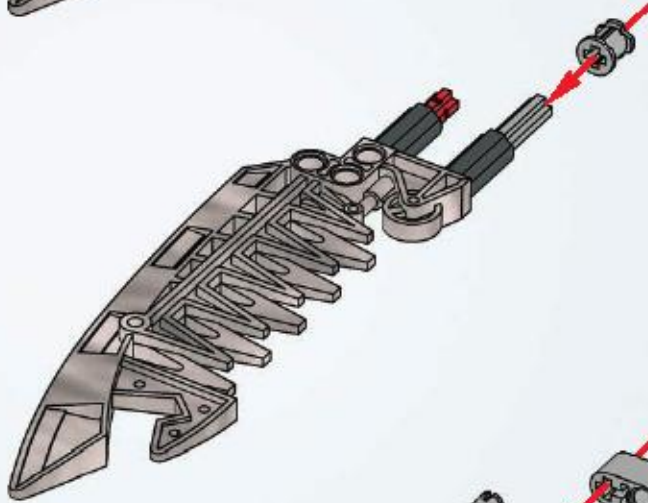


6

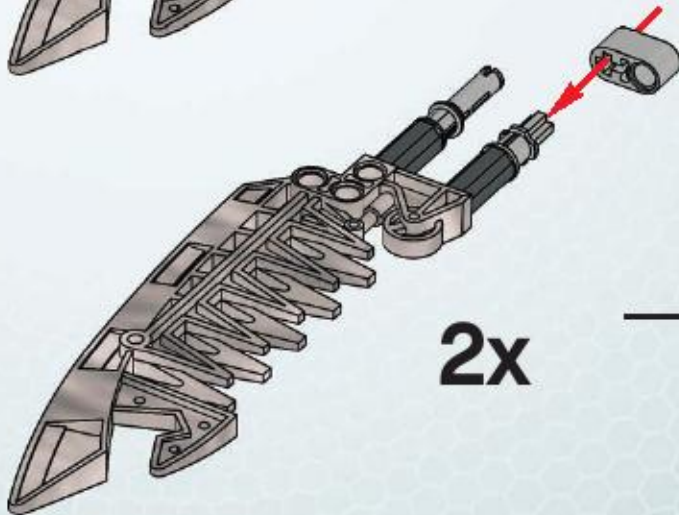
1



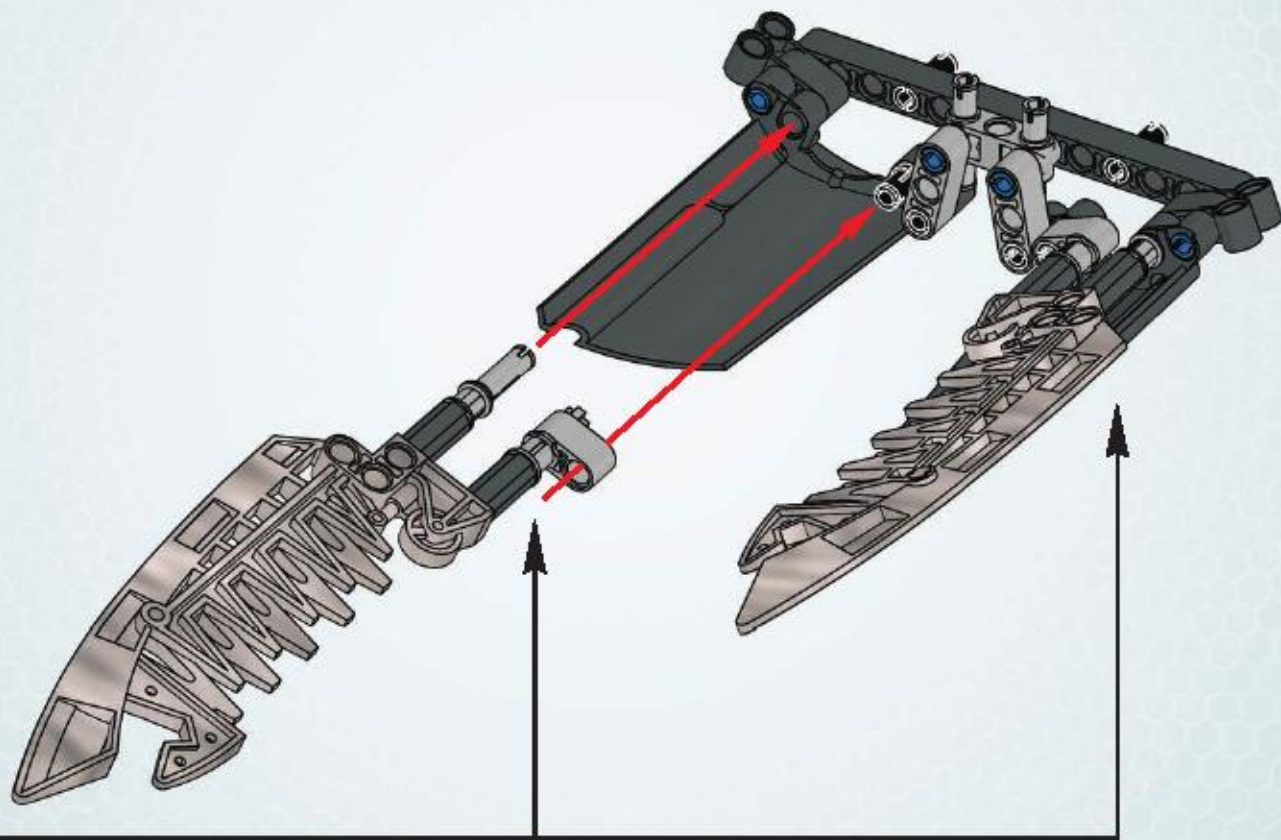
2

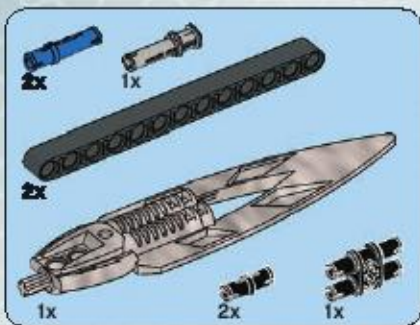


3



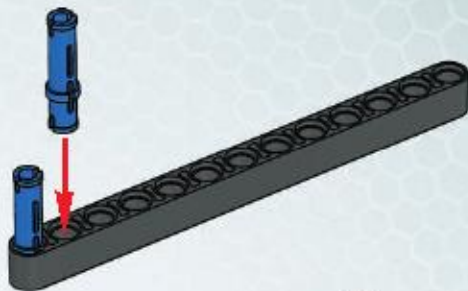
2x



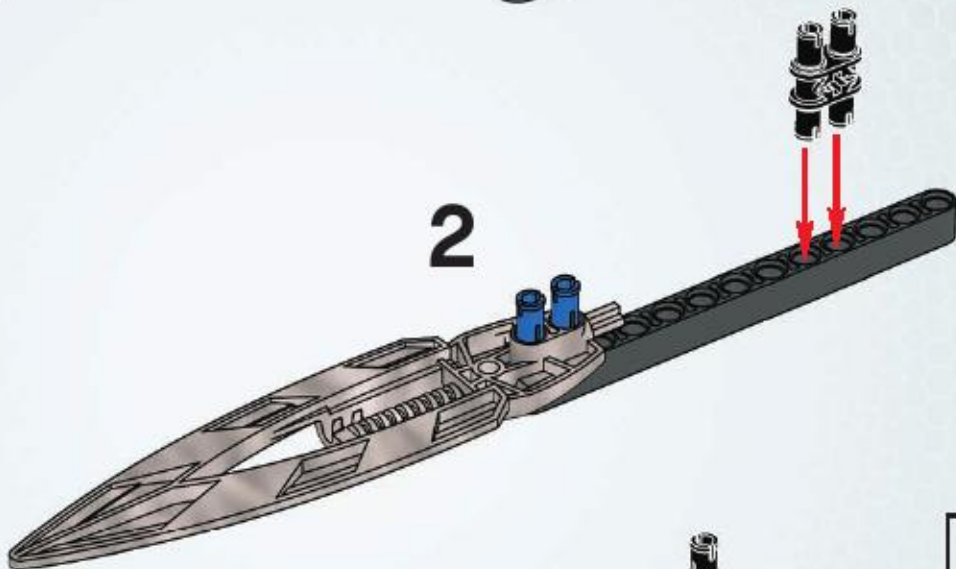


7

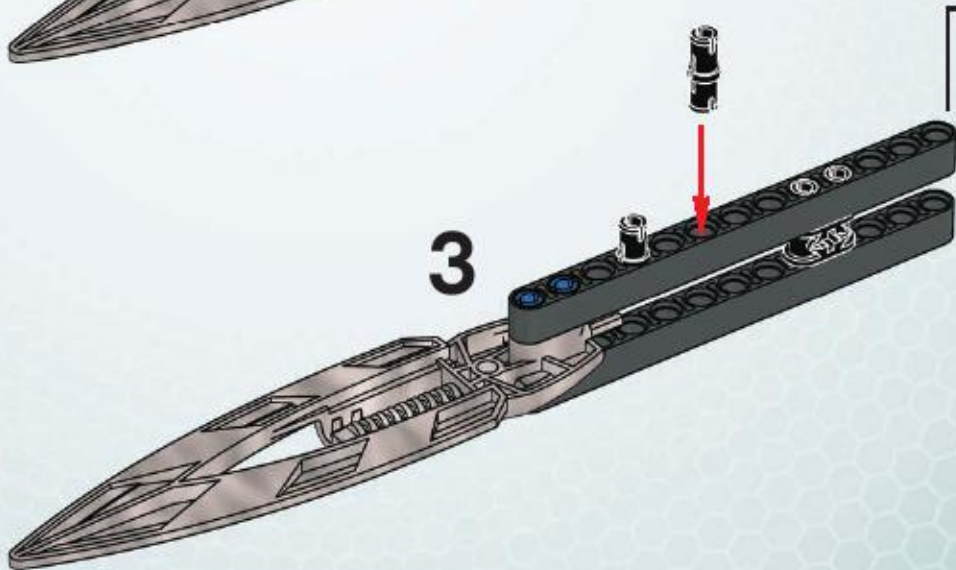
1

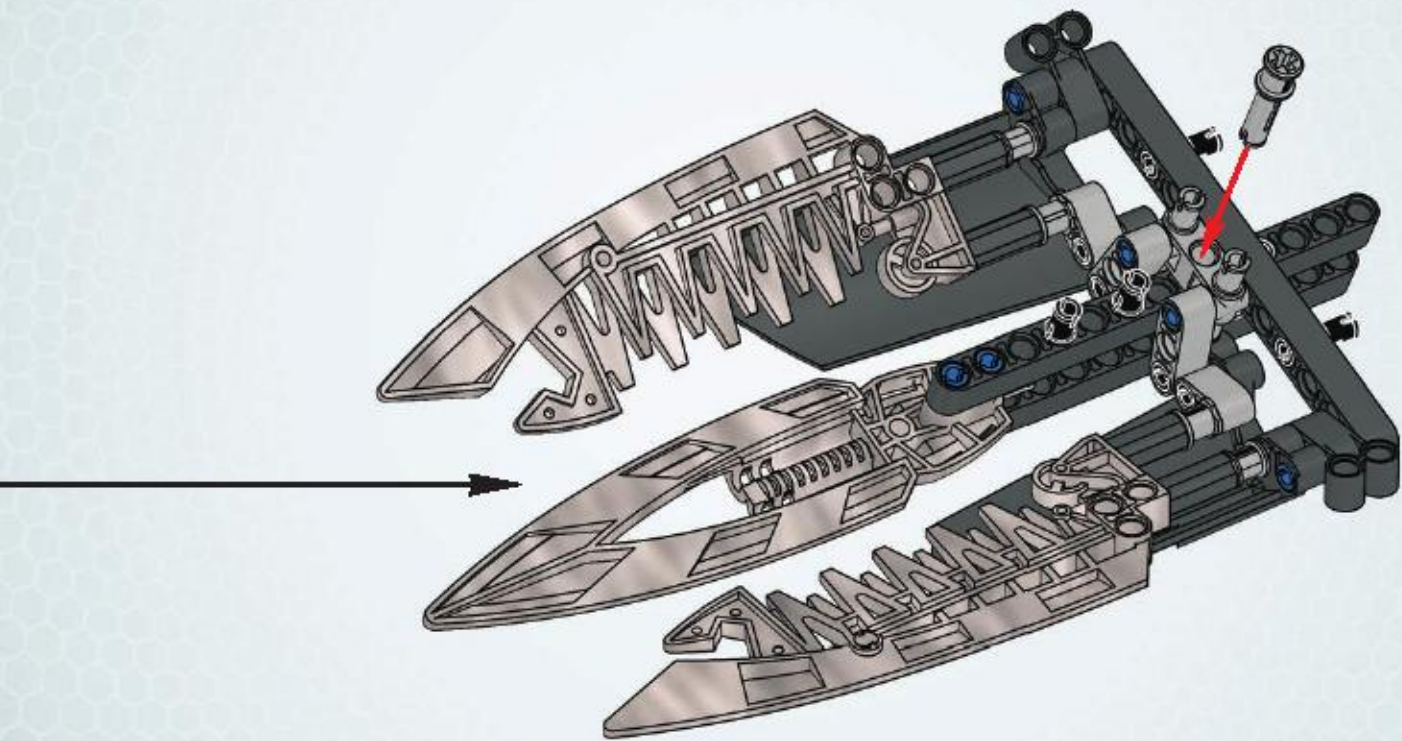


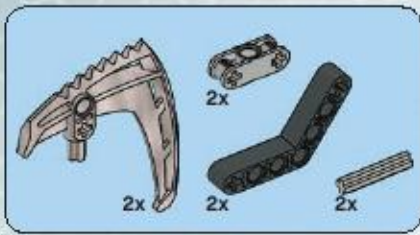
2



3

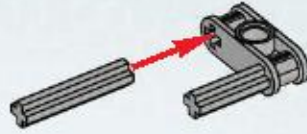




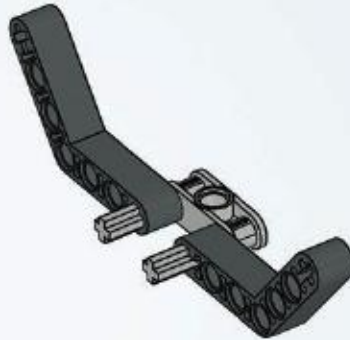


**8**

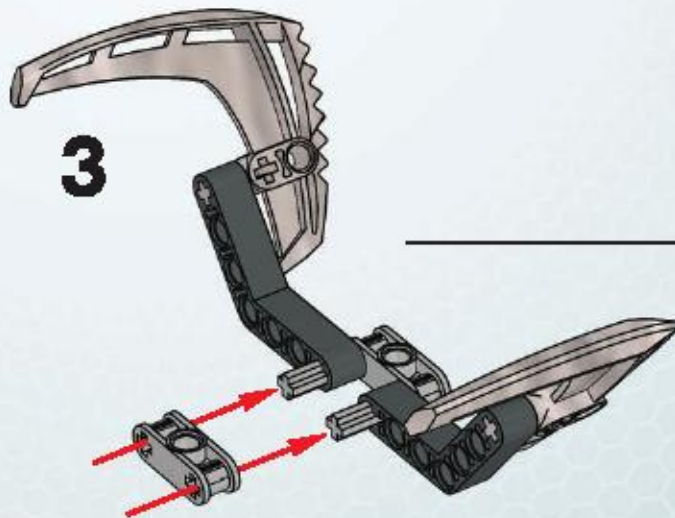
**1**

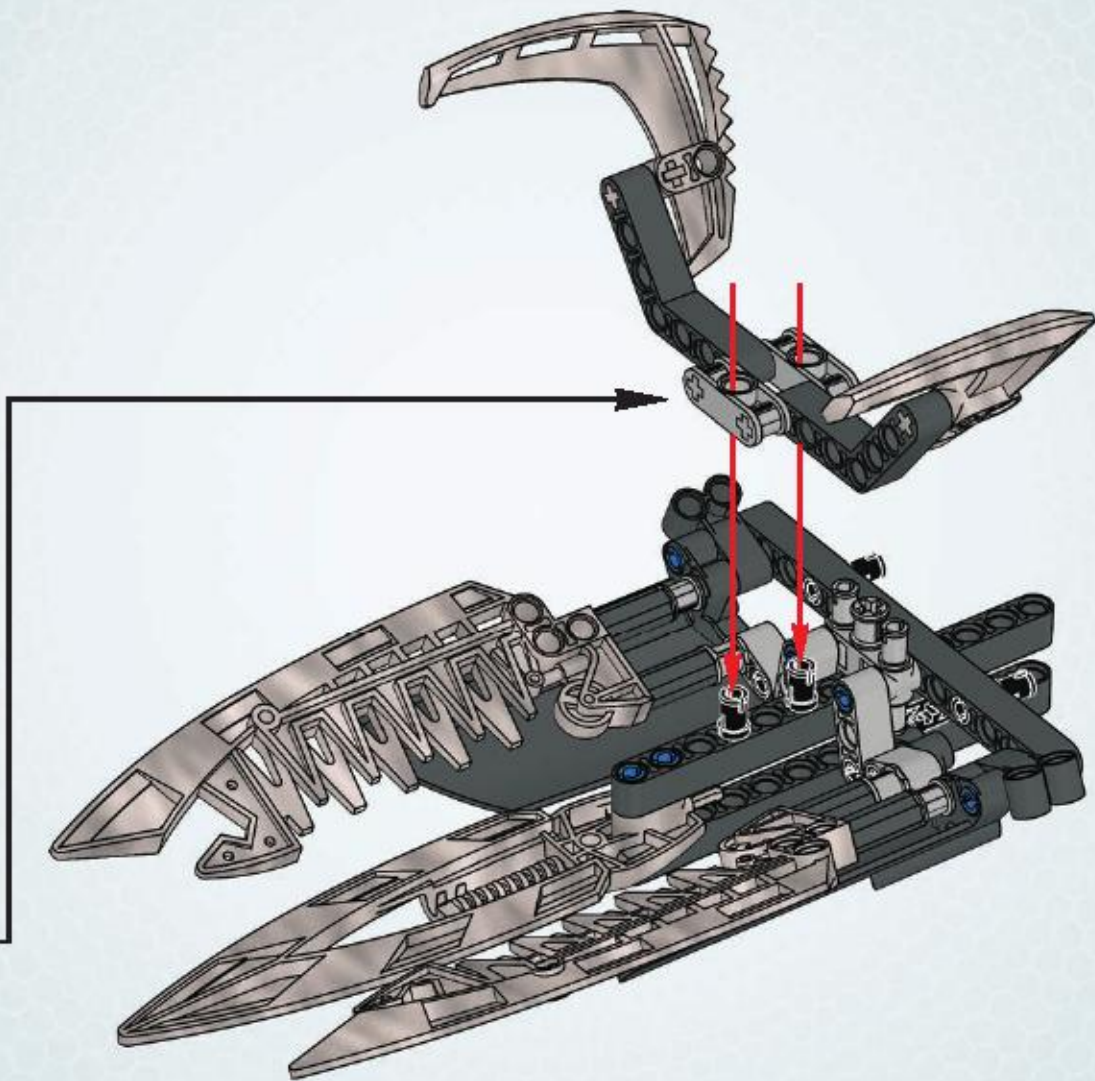


**2**



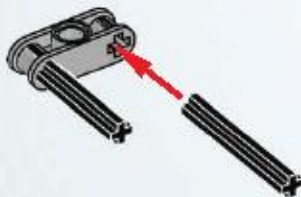
**3**



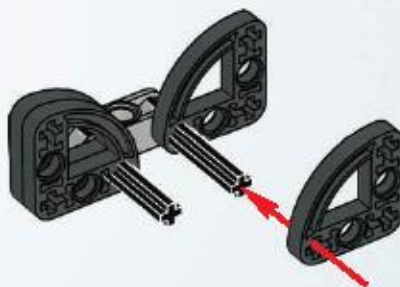




1



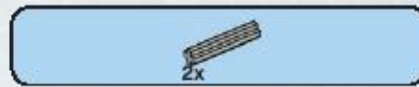
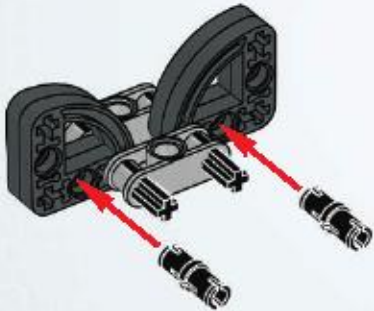
2



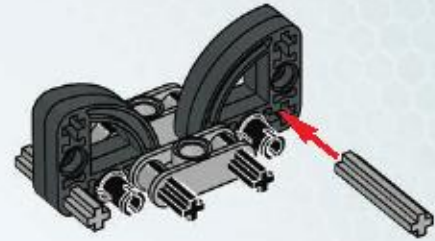




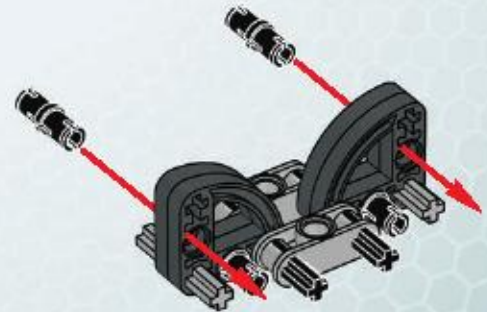
3

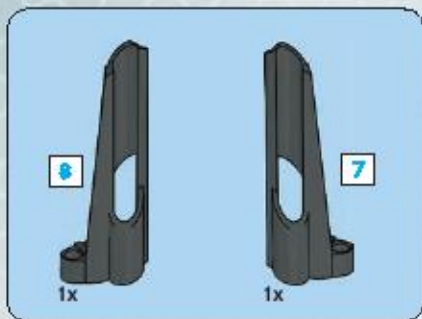


4

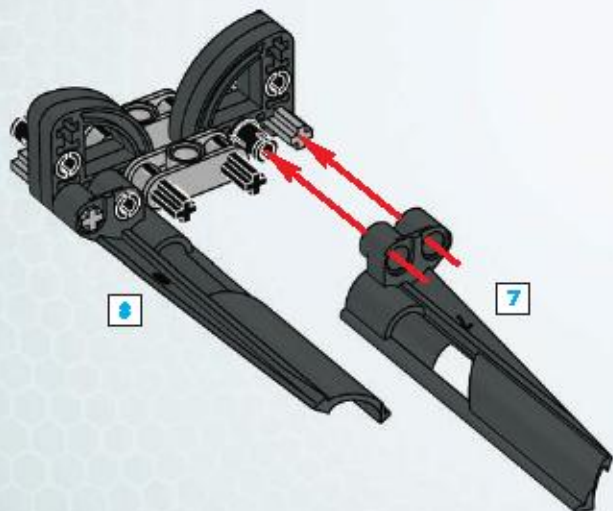


5

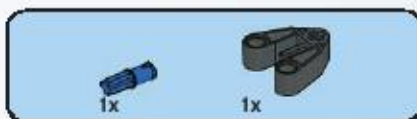
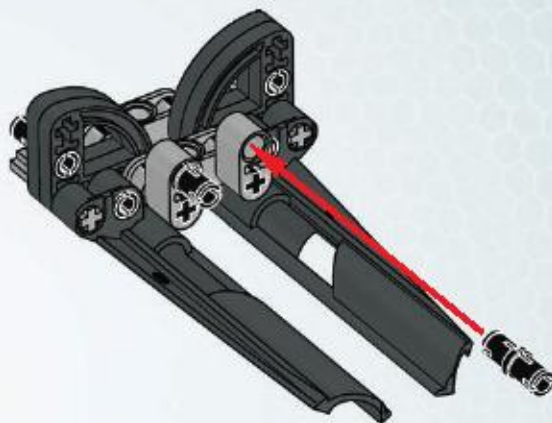




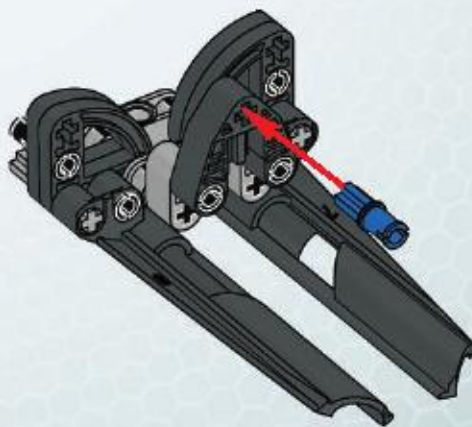
6

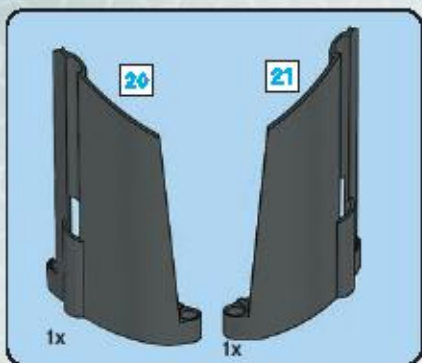


7

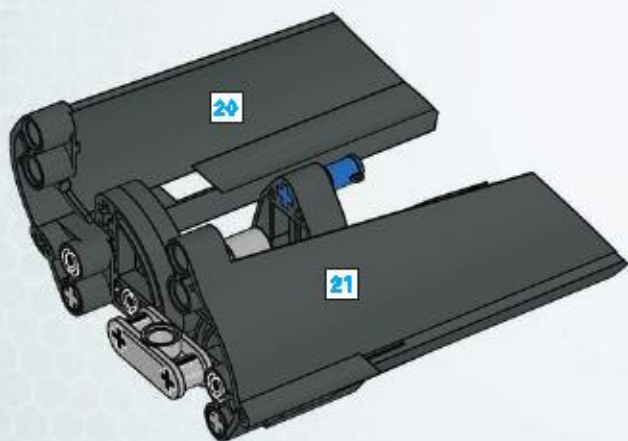


8

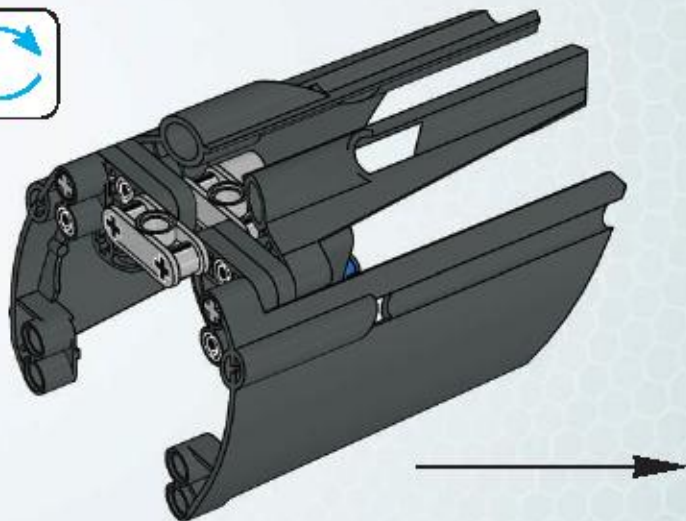


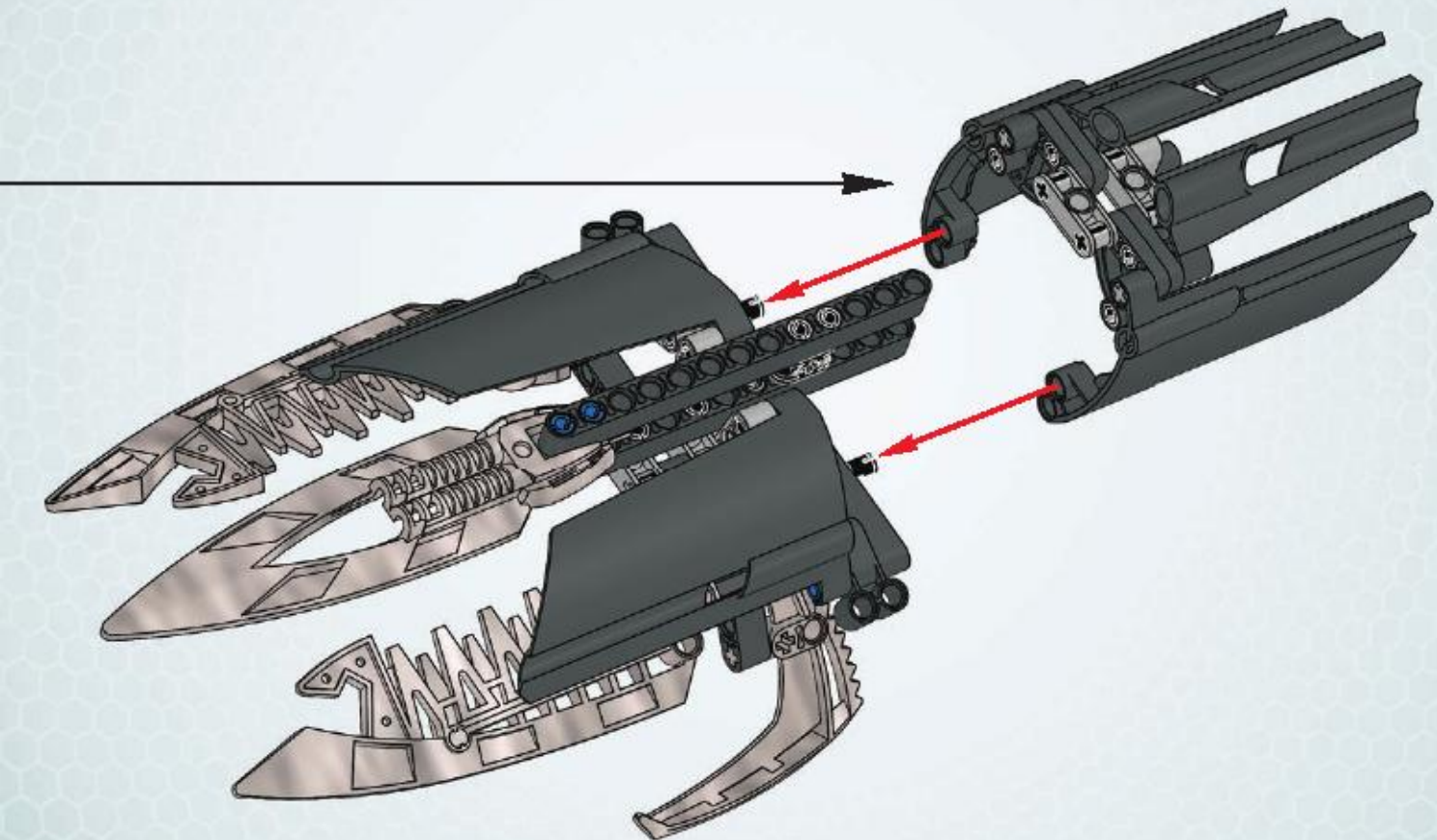


9



10

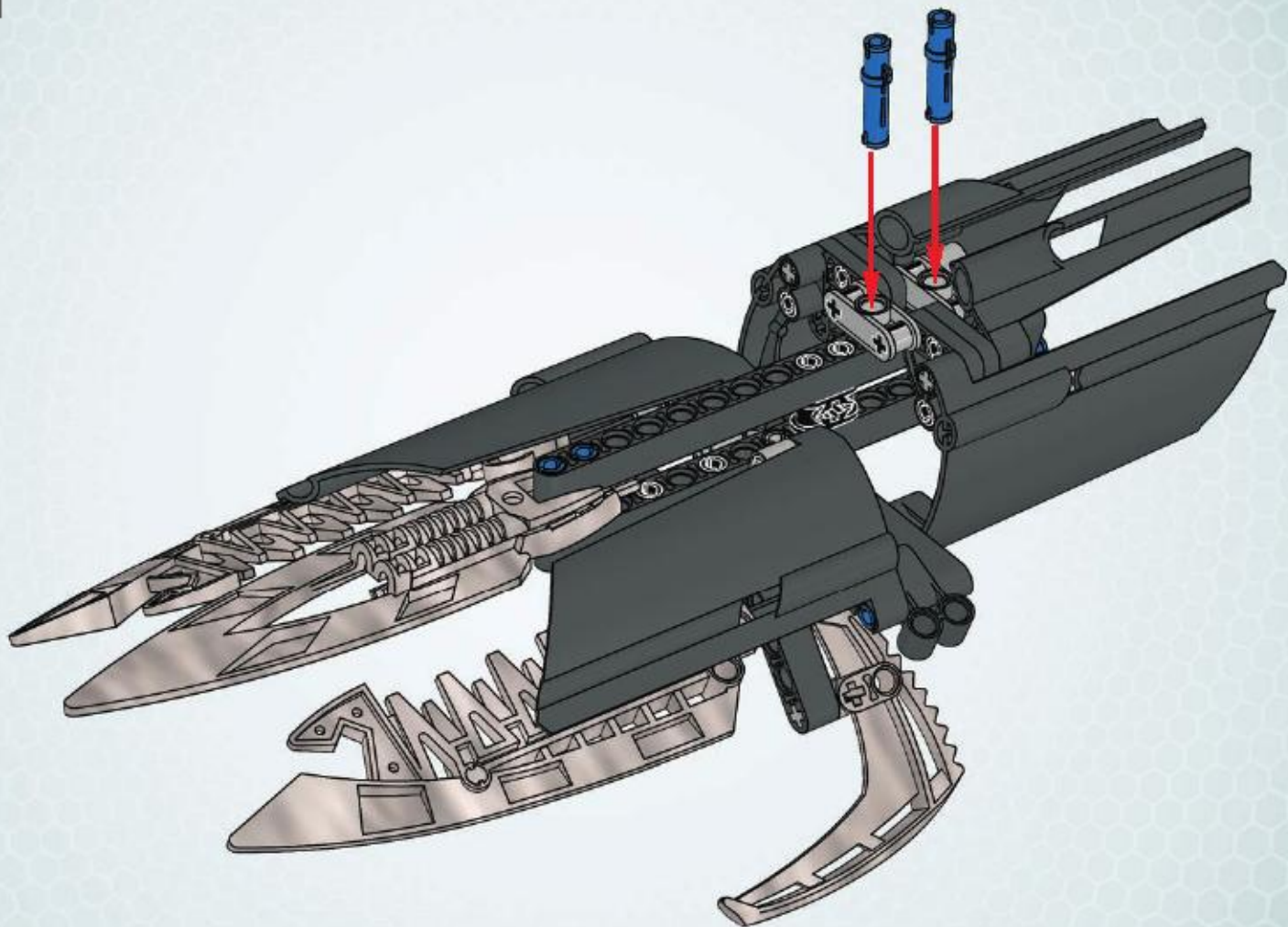






2x

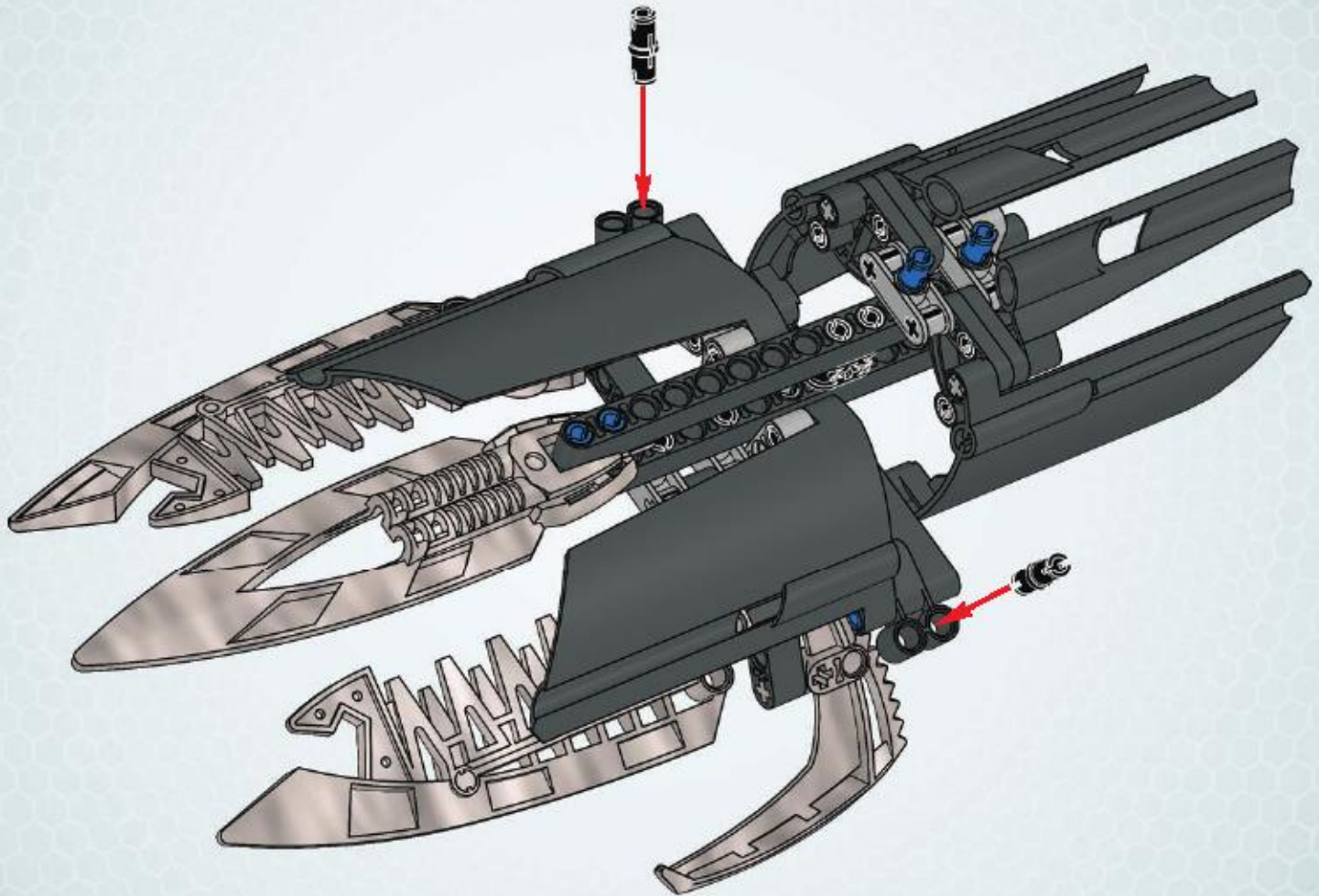
# 11

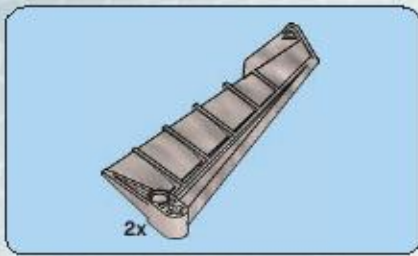




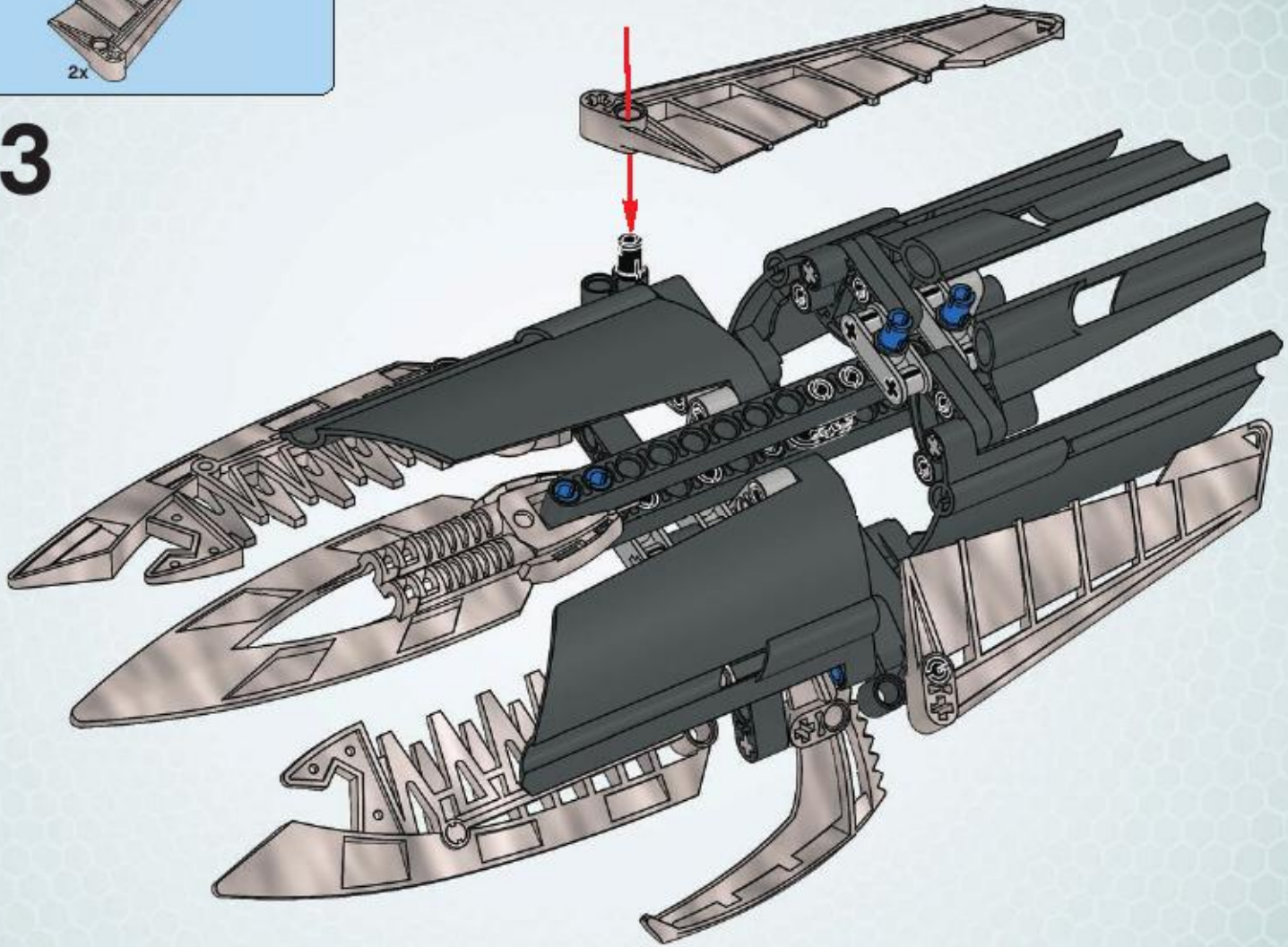
2x

# 12





13



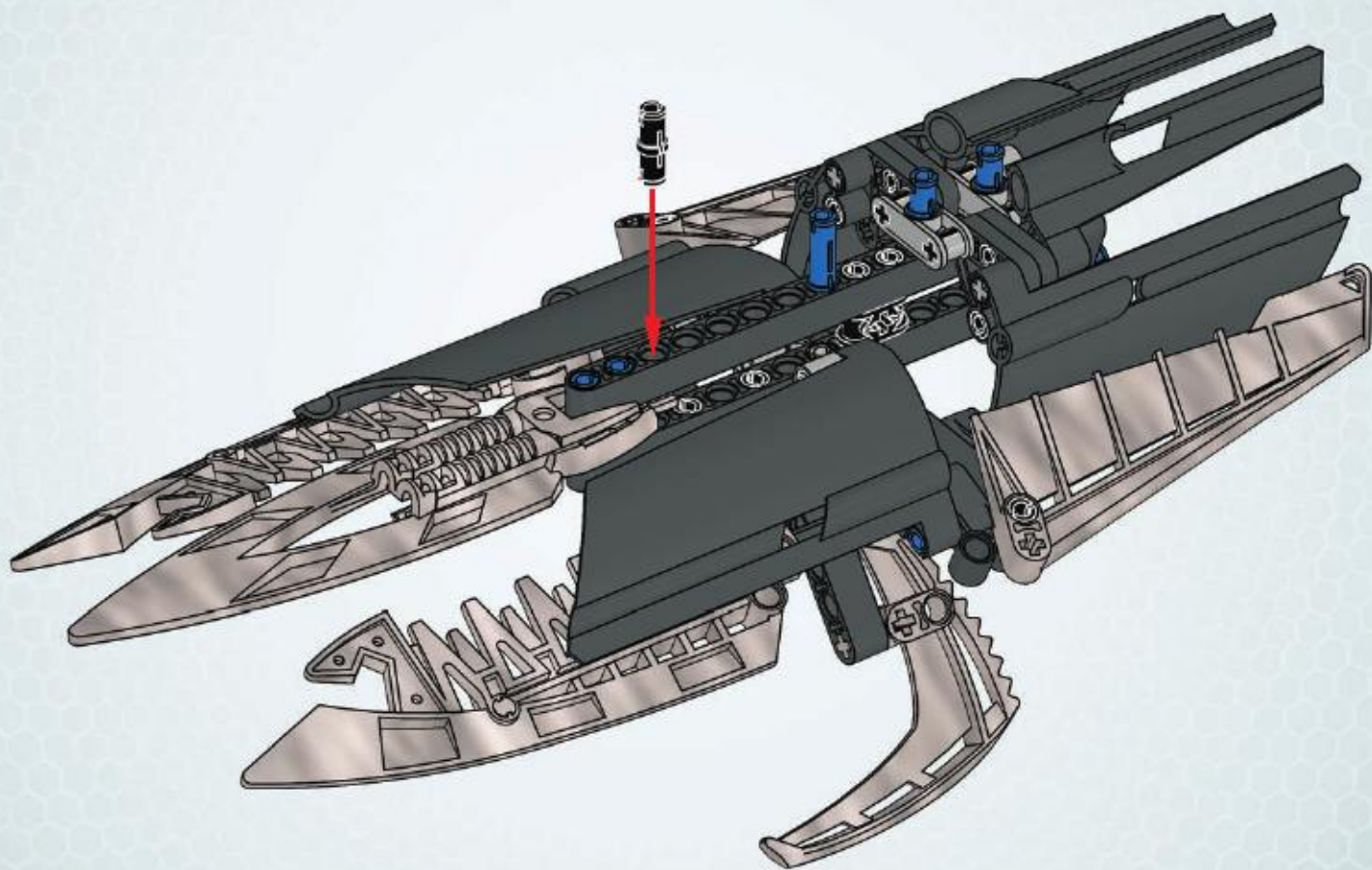


1x



1x

# 14

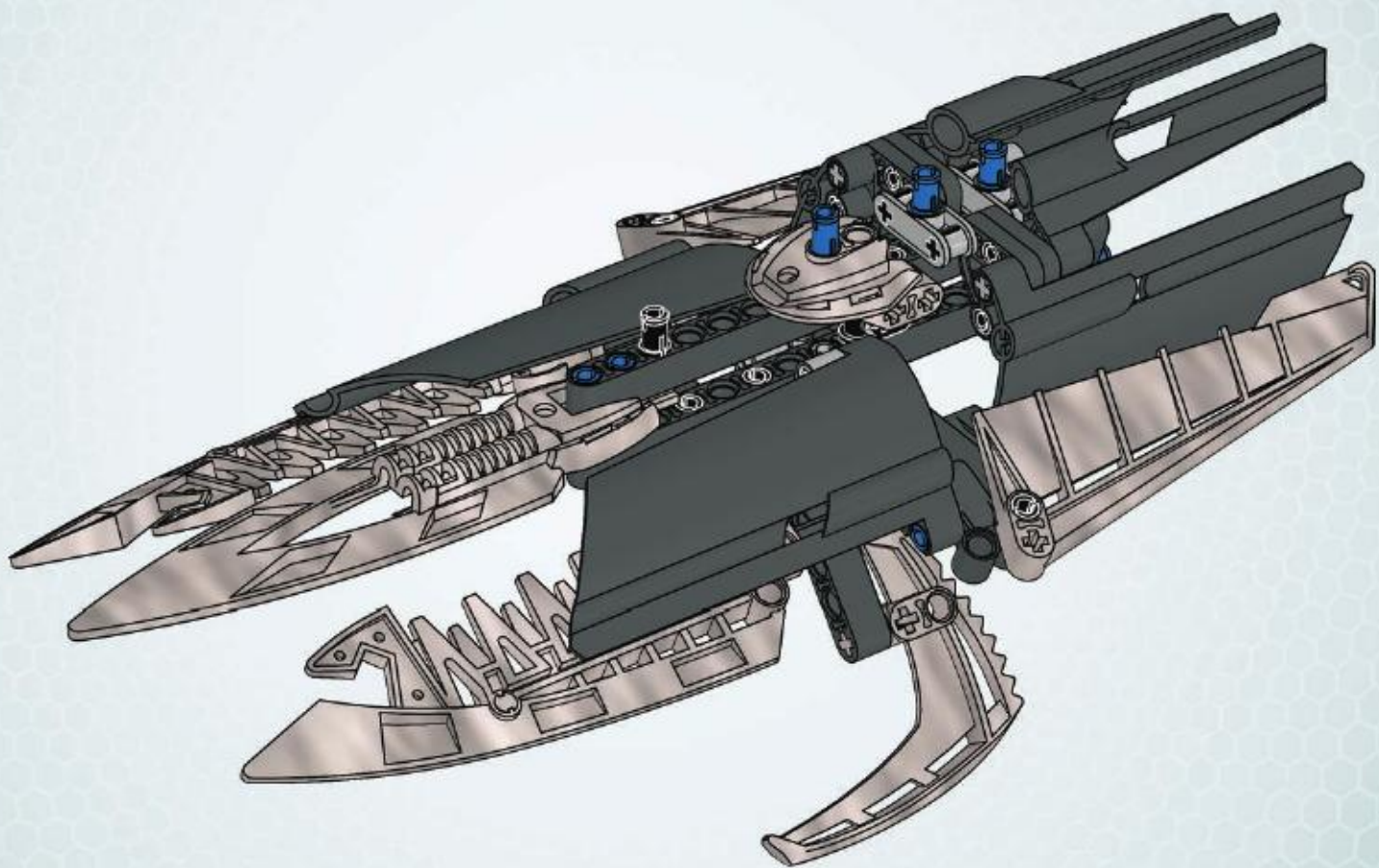


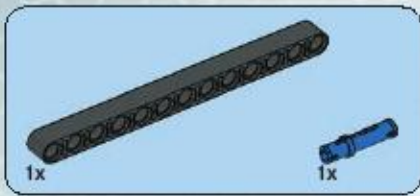




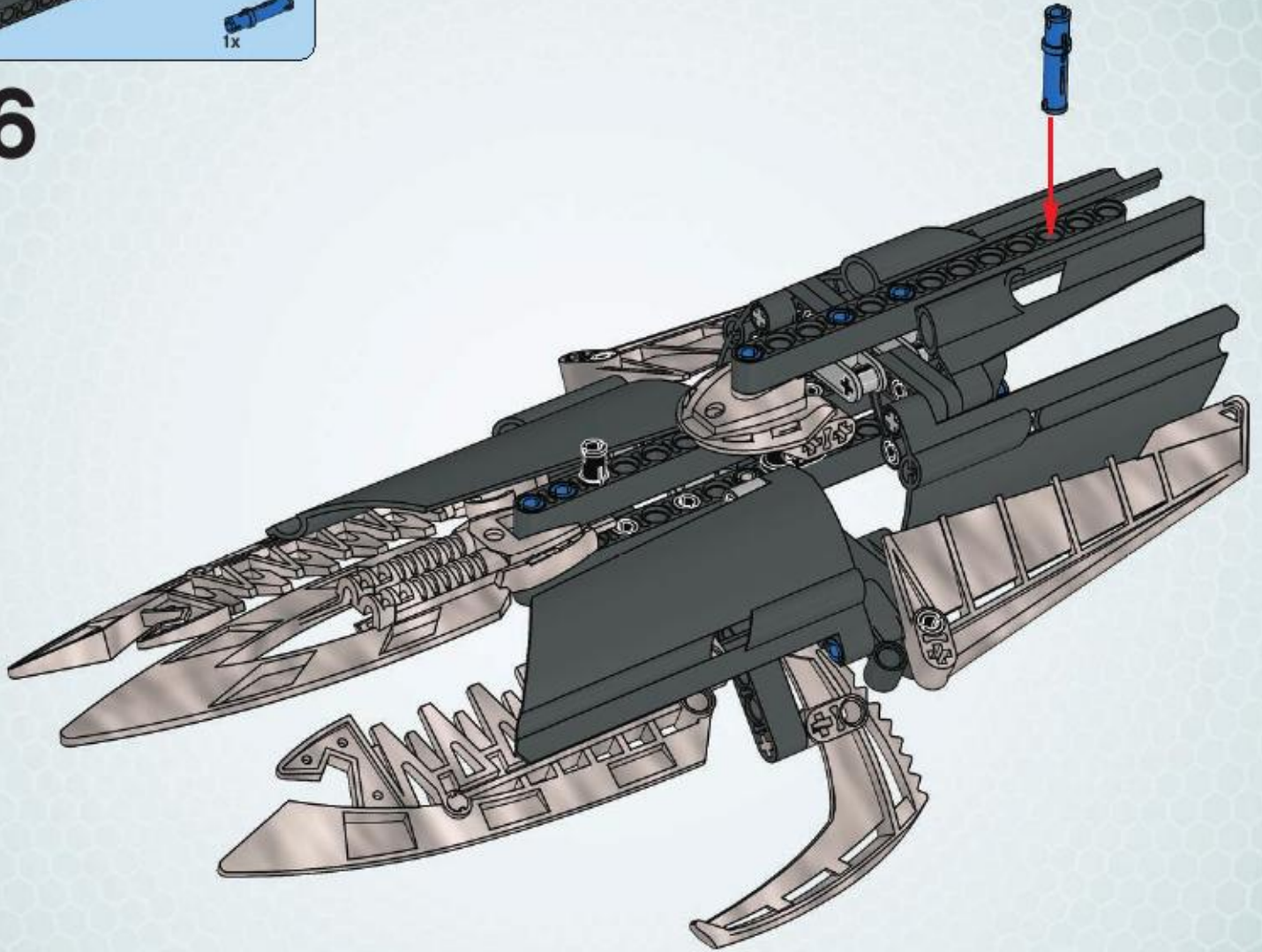
1x

# 15



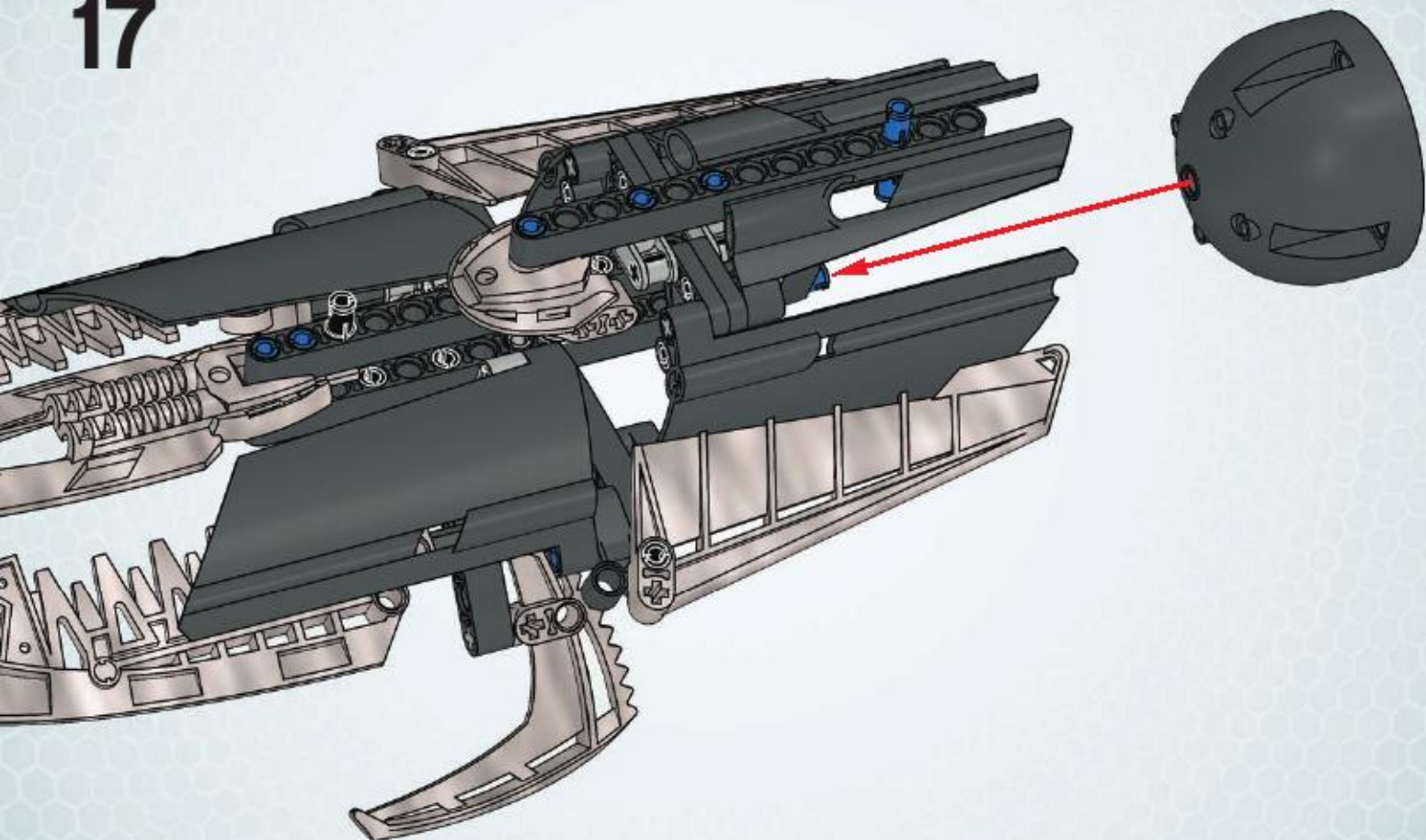


16





17



18





5x  
4519541



3x  
4211885



21x  
4121715



4x  
4512363



1x  
4501726



4x  
4515184



1x  
4119589



1x  
4173970



2x  
4519542



2x  
4211622



2x  
370526



4x  
4505842



1x  
4501727



2x  
4519536



7x  
4211815



1x  
4278585



1x  
4497946



2x  
4296203



2x  
4521191



2x  
4225033



2x  
4143466



4x  
4294582



2x  
4296202



1x  
4284541



2x  
4211655



2x  
4128593



1x  
4512451



4x  
4522933

5x  
4142865



4x  
4206482

11x  
4514553



2x  
4186017

4x  
4494056



1x  
4505191



2x  
4211086

1x  
4278473





## KANOKA CLUB

LOG IN TO ENTER YOUR CODES.

Login

The point machine is ready. It's waterproof, squid proof (of course) and it's prepared for anything that may come along this season. It's time to enter the codes from your BIONICLE package.

Club Personal

Use your BIONICLE Kanoka Club points to BIONICLEize your LEGO Club personal page! To get you started, you'll get an old school BIONICLE award on your LEGO personal page. Thanks to all of you who have held on to your codes!

If you're not already a member, go to Login, create a profile (it's FREE and EASY) and start entering codes. Plus, you can find all the classic BIONICLE games like MNOG and VNOG, watch the Piraka and Toa Inika animations and find building instructions for your classic BIONICLE sets.

### GAMES



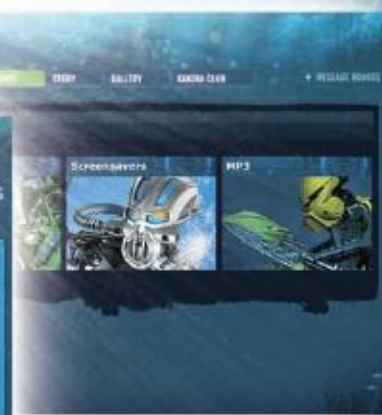
### BUILDING INSTRUCTIONS



### STORY ARCHIVE



# WWW.BIONICLE.COM





8685



8686



8687

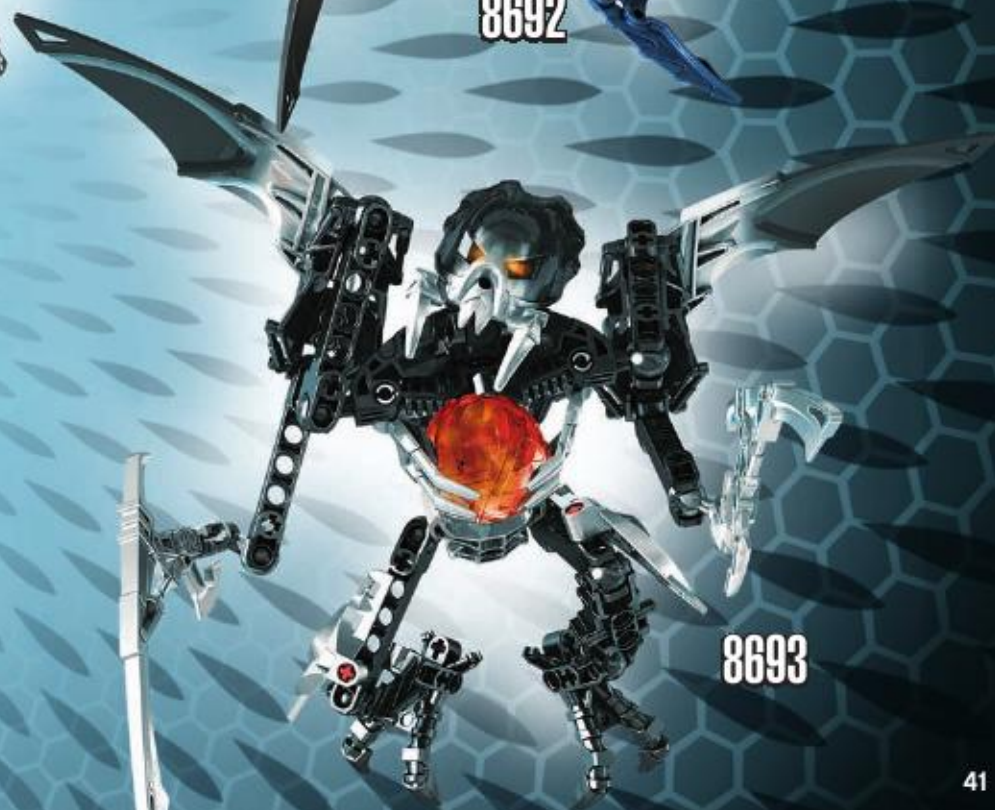




8691



8692



8693



A LEGO Bionicle character with a black torso and bright green limbs. It has a large, silver, serrated blade on its right arm and a smaller one on its left. The character is posed in a dynamic, forward-leaning stance. The number 8944 is printed in white with a black outline to the left of the character.

8944

A LEGO Bionicle character with a black torso and bright orange limbs. It has a large, silver, serrated blade on its right arm and a smaller one on its left. The character is posed in a dynamic, forward-leaning stance. The number 8946 is printed in white with a black outline to the left of the character.

8946

A LEGO Bionicle character with a black torso and white limbs. It has a large, silver, serrated blade on its right arm and a smaller one on its left. The character is posed in a dynamic, forward-leaning stance. The number 8945 is printed in white with a black outline to the left of the character.

8945



8948



8947



8949





[www.acnielsen.aim.dk/LEGO](http://www.acnielsen.aim.dk/LEGO)



## WIN LEGO® PRODUCTS

No purchase necessary.

Open to residents of all countries where not prohibited.

Go to [www.aim.dk](http://www.aim.dk) for official rules and details.

## WIN LEGO® PRODUCTEN

Kopen niet nodig.

Open voor alle leeftijden, en in alle landen waar geen verbod geldt.

Ga naar [www.aim.dk](http://www.aim.dk) voor officiële regels en details.

## GEWINNE LEGO® PRODUKTE

Die Teilnahme am Gewinnspiel führt zu keinerlei Kaufverpflichtungen.

Sie können in allen nicht ausgeschlossenen Ländern teilnehmen.

Die offiziellen Regeln und nähere Informationen finden Sie unter [www.aim.dk](http://www.aim.dk).

## GAGNE DES PRODUITS LEGO®

Aucun achat n'est nécessaire.

Ouvert à tous les âges et aux résidents de tous les pays, sauf en cas d'interdiction.

Rendez-vous sur [www.aim.dk](http://www.aim.dk) pour obtenir plus de détails et le règlement officiel.

## レゴ®製品を「当てよう」

購入は不要です

禁止されていない限り、あらゆる年代およびあらゆる国の居住者の方々にご利用いただけます。

公認規則および詳細につきましては、[www.aim.dk](http://www.aim.dk)をご覧ください







# club™



FREE LEGO Magazine • GRATUIT • GRATIS LEGO Magazin



**Join Today!**

.....

**Abonne-toi  
dès aujourd'hui !**

.....

**Meld je nu aan!**

.....

**Jetzt anmelden!**



US & Canada only

1-866-534-6258 / 1-877-518-5346

(en français)



00800 5346 5555

[www.LEGOclub.com](http://www.LEGOclub.com)

**VISIT THE WORLD'S  
BIGGEST LEGO® SHOP!**

[www.LEGOshop.com](http://www.LEGOshop.com)

# PHANTOKA



©2008 The LEGO Group. 4525255

