

MOTORIZED REMOTE CONTROLLED 9/1 MODEL OF THE JEEP WRANGLER RUBICON BUILT WITH LEGO BRICKS - A COMPLETE INSTRUCTION

LEGAL NOTES:

LEGO® IS A TRADEMARK OF THE LEGO GROUP OF COMPANIES WHICH DOES NOT SPONSOR, AUTHORIZE OR ENDORSE THIS CREATION. LEGO, THE LEGO LOGO, THE BRICK AND KNOB CONFIGURATIONS, THE MINIFIGURE AND MINDSTORMS ARE REGISTERED TRADEMARKS OF THE LEGO GROUP.
www.lego.com

JEEP®, JEEP WRANGLER AND JEEP WRANGLER RUBICON ARE TRADEMARK OF CHRYSLER GROUP LLC AND ARAB AMERICAN VEHICLES WHICH DO NOT SPONSOR, AUTHORIZE OR ENDORSE THIS CREATION.
www.chryslergroupllc.com
www.aav.com.eg

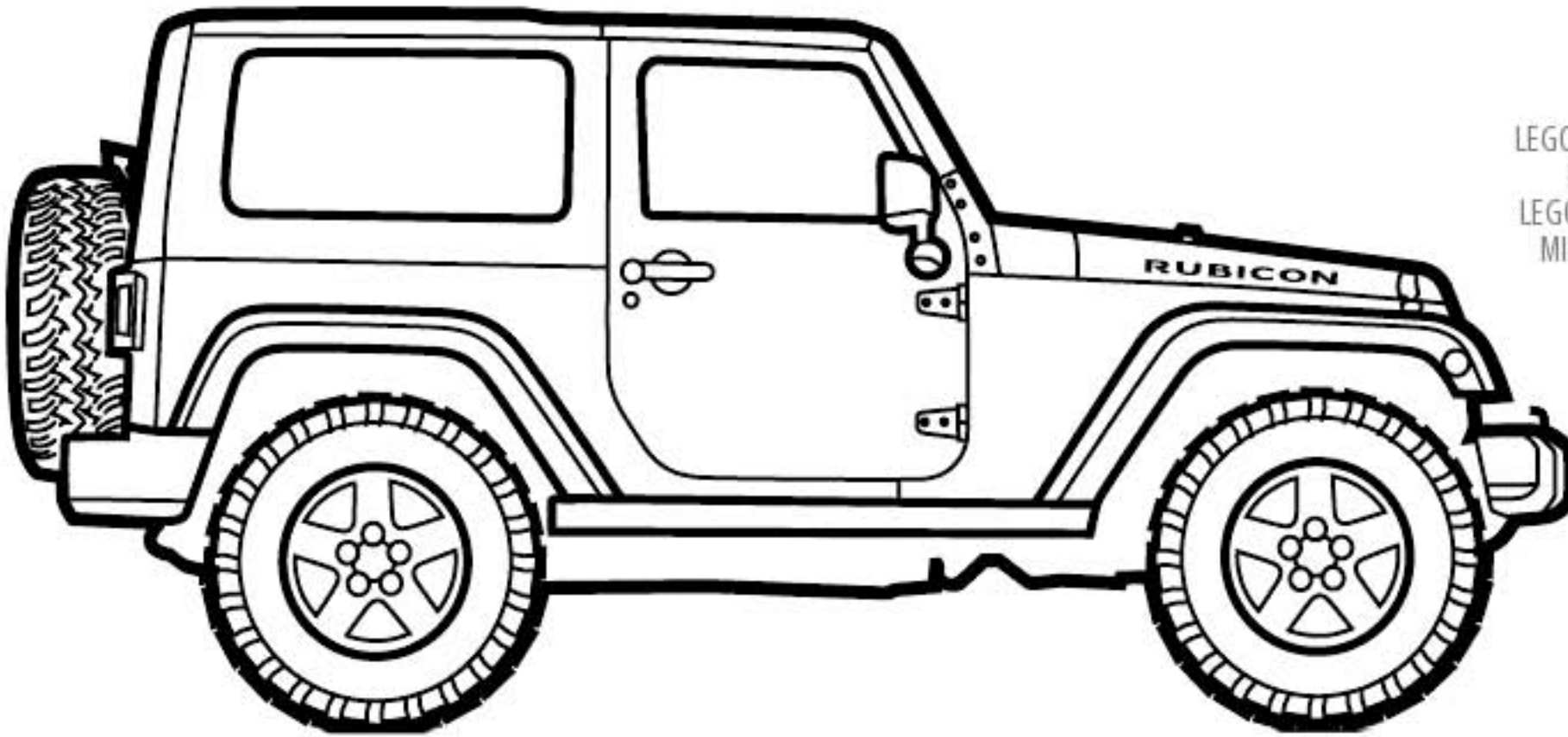
THIS INSTRUCTION IS RELEASED FREE OF CHARGE.

YOU ARE FREE TO BUILD A COPY OF THE MODEL, TO MODIFY YOUR COPY OF THE MODEL OR TO USE ANY IDEAS OR SOLUTIONS INCLUDED IN IT IN YOUR OWN CREATIONS. YOU ARE NOT REQUIRED TO CREDIT THE AUTHORS WHEN PUBLISHING YOUR COPY OF THE MODEL.

YOU ARE FREE TO REDISTRIBUTE THIS INSTRUCTION AS LONG AS IT REMAINS UNALTERED AND COMPLETE ALONG WITH THE LEGAL NOTICES.

PLEASE RESPECT OUR EFFORT AND DO NOT:
- SELL THIS INSTRUCTION
- CLAIM THE AUTHORSHIP OF EITHER THIS INSTRUCTION OR THE UNALTERED MODEL

THANK YOU



JEEP WRANGLER RUBICON



CREDITS:

PAUL 'SARIEL' K.

- original model, corrections to the 3D model, instructions and publishing

JEGGE

- complete 3D model

CONTACT:

SARIEL.PL

SARIELPL@GMAIL.COM

WWW.YOUTUBE.COM/USER/SEARME

ORIGINAL MODEL'S DATASHEET:

completed: March 18th 2010

dimensions: l. 47 studs / w. 24 studs / h. 213 studs

weight: 1.224 kg

outdoor testing: March 24th 2010, placed 7th at Truck Trial race in Warsaw, Poland

VIDEOS AVAILABLE AT YOUTUBE AS:

- LEGO JEEP WRANGLER RUBICON

- LEGO JEEP WRANGLER RUBICON OUTDOOR RACING

FULL DESCRIPTION AND MORE AT www.sariel.pl/2010/04/jeep-wrangler-rubicon/

FEATURES:

- 4x4 drive with no differentials
- pendular suspension stabilized with shock absorbers
- opened bonnet
- working and adjustable steering wheel
- headlights and front trafficators can be made functional with LEGO PF LEDS
- uses droppable body modules (some parts of the body, such as e.g. front and rear bumper, are designed to drop off when stressed in order to increase the model's cross-country capabilities)

PARTS LIST:

THE PARTS LIST MAY NOT BE 100% ACCURATE. ADDITIONALLY, SOME PARTS CAN BE SUBSTITUTED WITH LEGO PARTS OF SIMILAR TYPE. VISIT shop.lego.com OR bricklink.com FOR LEGO PIECES AND BULK SHOPPING. USE THE PART IDS PROVIDED BELOW TO FIND THE PROPER ITEMS. THE NUMBERS IN BRACKETS REPRESENT THE TOTAL QUANTITY OF PARTS OF GIVEN TYPE USED (REGARDLESS OF COLOR).

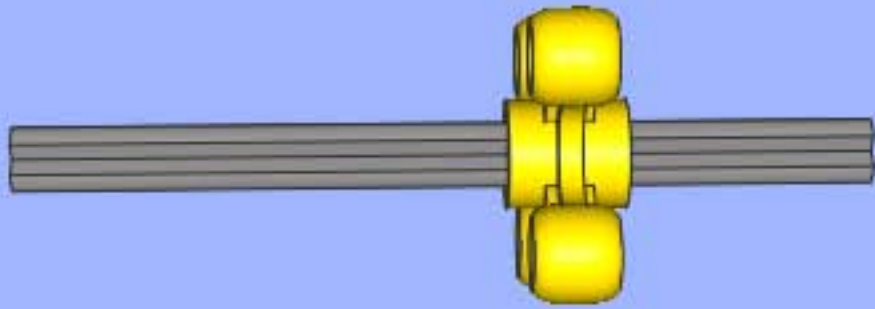
134 TYPES OF PARTS, 1014 PARTS TOTAL:

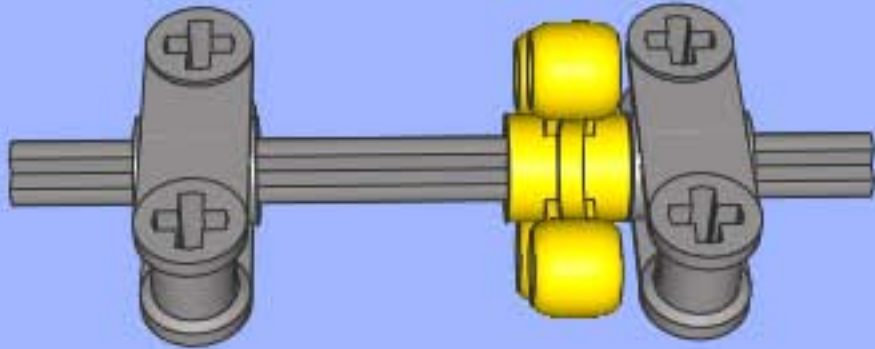
- [3005] Brick 1 x 1 (x3)
- [6091] Brick 2 x 1 x 1 & 1/3 with Curved Top (x28)
- [2357] Brick 2 x 2 Corner (x2)
- [3002] Brick 2 x 3 (x3)
- [3006] Brick 2 x 10 (x1)
- [54196] Dish 2 x 2 (x2)
- [58124c01] Electric Power Functions Connector With PF Bottom (x3)
- [58123] Electric Power Functions IR Receiver (x1)
- [58120] Electric Power Functions Medium Motor (x1)
- [84599] Electric Power Functions Rechargeable Battery Box (x1)
- [58121] Electric Power Functions XL Motor (x1)
- [4073] Plate 1 x 1 Round (x8)
- [6019] Plate 1 x 1 with Clip Horizontal (x8)
- [4081a] Plate 1 x 1 with Clip Light Type 1 (x2)
- [3024] Plate 1 x 1 (x15)
- [3794] Plate 1 x 2 with 1 Stud (x2)
- [48336] Plate 1 x 2 with Handle Type 2 (x4)
- [3023] Plate 1 x 2 (x7)
- [3623] Plate 1 x 3 (x15)
- [3710] Plate 1 x 4 (x13)
- [3666] Plate 1 x 6 (x10)
- [3460] Plate 1 x 8 (x11)
- [4477] Plate 1 x 10 (x3)
- [2420] Plate 2 x 2 Corner (x6)
- [3022] Plate 2 x 2 (x4)
- [3021] Plate 2 x 3 (x2)
- [3020] Plate 2 x 4 (x6)
- [3795] Plate 2 x 6 (x4)
- [3034] Plate 2 x 8 (x2)
- [3832] Plate 2 x 10 (x2)
- [3035] Plate 4 x 8 (x3)
- [54200] Slope Brick 31 1 x 1 x 2/3 (x12)
- [3040b] Slope Brick 45 2 x 1 (x2)
- [3039pc4] Slope Brick 45 2 x 2 with 3 Gauges and 3 Knobs Pattern (x2)
- [3039] Slope Brick 45 2 x 2 (x2)
- [50950] Slope Brick Curved 3 x 1 (x16)
- [32013] Technic Angle Connector #1 (x11)
- [32034] Technic Angle Connector #2 (180 degree) (x9)
- [32016] Technic Angle Connector #3 (157.5 degree) (x2)
- [32192] Technic Angle Connector #4 (135 degree) (x2)
- [32015] Technic Angle Connector #5 (112.5 degree) (x2)
- [32014] Technic Angle Connector #6 (90 degree) (x2)
- [32062] Technic Axle 2 Notched (x12)
- [6587] Technic Axle 3 with Stud (x8)
- [4519] Technic Axle 3 (x15)
- [3705] Technic Axle 4 (x6)
- [32073] Technic Axle 5 (x18)
- [3706] Technic Axle 6 (x12)
- [44294] Technic Axle 7 (x8)
- [3707] Technic Axle 8 (x2)
- [60485] Technic Axle 9 (x3)
- [3737] Technic Axle 10 (x4)
- [3708] Technic Axle 12 (x3)
- [6538a] Technic Axle Joiner (x15)
- [43093] Technic Axle Pin with Friction (x41)
- [3749] Technic Axle Pin (x4)
- [41677] Technic Beam 2 x 0.5 Liftarm (x4)
- [32140] Technic Beam 2 x 4 Liftarm Bent 90 (x24)
- [6632] Technic Beam 3 x 0.5 Liftarm (x6)
- [60484] Technic Beam 3 x 3 T-shaped (x1)
- [32526] Technic Beam 3 x 5 Bent 90 (x12)
- [32271] Technic Beam 3 x 7 Liftarm Bent 53.13 (x2)
- [32523] Technic Beam 3 (x10)
- [32006] Technic Beam 4 x 0.5 Liftarm with Boss (x8)
- [32449] Technic Beam 4 x 0.5 Liftarm (x2)
- [6629] Technic Beam 4 x 6 Liftarm Bent 53.13 (x20)
- [2905] Technic Beam 5 x 3 x 0.5 Liftarm Triangle (x14)
- [32316] Technic Beam 5 (x4)
- [32065] Technic Beam 7 x 0.5 (x2)
- [64179] Technic Beam 7 x 5 with Open Center 5 x 3 (x1)
- [32524] Technic Beam 7 (x11)
- [40490] Technic Beam 9 (x8)
- [32525] Technic Beam 11 (x8)
- [41239] Technic Beam 13 (x4)
- [32278] Technic Beam 15 (x3)
- [6541] Technic Brick 1 x 1 with Hole (x4)
- [3700] Technic Brick 1 x 2 with Hole (x4)
- [3701] Technic Brick 1 x 4 with Holes (x2)
- [3894] Technic Brick 1 x 6 with Holes (x10)
- [3702] Technic Brick 1 x 8 with Holes (x8)
- [2730] Technic Brick 1 x 10 with Holes (x8)
- [3703] Technic Brick 1 x 16 with Holes (x2)
- [32123b] Technic Bush 1/2 Smooth with Axle Hole Semi-Reduced (x6)
- [3713] Technic Bush (x8)
- [32175] Technic Connector Block 3 x 3 Triangular (x2)
- [32039] Technic Connector with Axlehole (x6)
- [6536] Technic Cross Block 1 x 2 (Axle/Pin) (x26)
- [32184] Technic Cross Block 1 x 3 (Axle/Pin/Axle) (x20)
- [42003] Technic Cross Block 1 x 3 (Axle/Pin/Pin) (x7)
- [48989] Technic Cross Block 1 x 3 (Pin/Pin/Pin) with 4 Pins (x1)

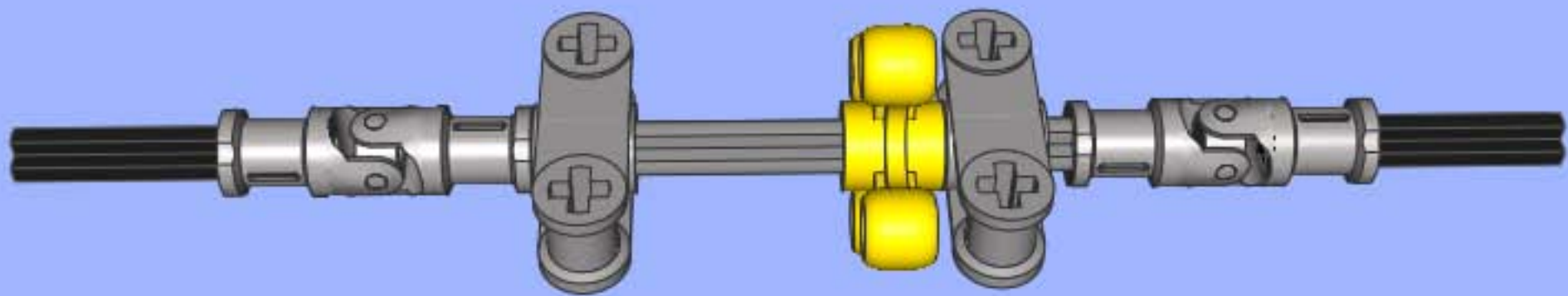
[32291] Technic Cross Block 2 x 2 (Axle/Twin Pin) (x4)
[63869] Technic Cross Block 3 x 2 (Axle/Triple Pin) (x1)
[3647] Technic Gear 8 Tooth (x7)
[32270] Technic Gear 12 Tooth Double Bevel (x4)
[6542] Technic Gear 16 Tooth with Clutch (x1)
[4019] Technic Gear 16 Tooth (x5)
[32269] Technic Gear 20 Tooth Double Bevel (x4)
[3648] Technic Gear 24 Tooth (x6)
[3743] Technic Gear Rack 1 x 4 (x1)
[32072] Technic Knob Wheel (x4)
[2741] Technic Large Steering Wheel (x1)
[64782] Technic Panel 5 x 11 (x5)
[64683] Technic Panel Fairing Smooth #3 (Medium) (x2)
[64391] Technic Panel Fairing Smooth #4 (Medium) (x2)
[64681] Technic Panel Fairing Smooth #5 (Long) (x1)
[64393] Technic Panel Fairing Smooth #6 (Long) (x1)
[32002] Technic Pin 3/4 (x6)
[4274] Technic Pin 1/2 (x14)
[32138] Technic Pin 3L Double with Axlehole (x2)
[75535] Technic Pin Joiner Round (x12)
[6558] Technic Pin Long with Friction and Slot (x31)
[32054] Technic Pin Long with Stop Bush (x2)
[32556] Technic Pin Long (x14)
[2780] Technic Pin with Friction and Slots (x52)
[4459] Technic Pin with Friction (x107)
[3673] Technic Pin (x27)
[32001] Technic Plate 2 x 6 with Holes (x1)
[6553] Technic Pole Reverser Handle (x2)
[732] Technic Shock Absorber 6.5L, Cylinder (x4)
[731] Technic Shock Absorber 6.5L, Piston Rod with Spring (x4)
[61903] Technic Universal Joint 3L (Complete) (x2)
[62519] Technic Universal Joint 3L Centre (x1)
[62520] Technic Universal Joint 3L End (x2)
[4185] Technic Wedge Belt Wheel (x5)
[3070a] Tile 1 x 1 without Groove (x2)
[3069bps7] Tile 1 x 2 with Diagonal Red Stripes Pattern (x2)
[3069a] Tile 1 x 2 without Groove (x2)
[2431pt0] Tile 1 x 4 with "RALLY" Pattern (x1)
[2431] Tile 1 x 4 (x14)
[3068a] Tile 2 x 2 without Groove (x2)

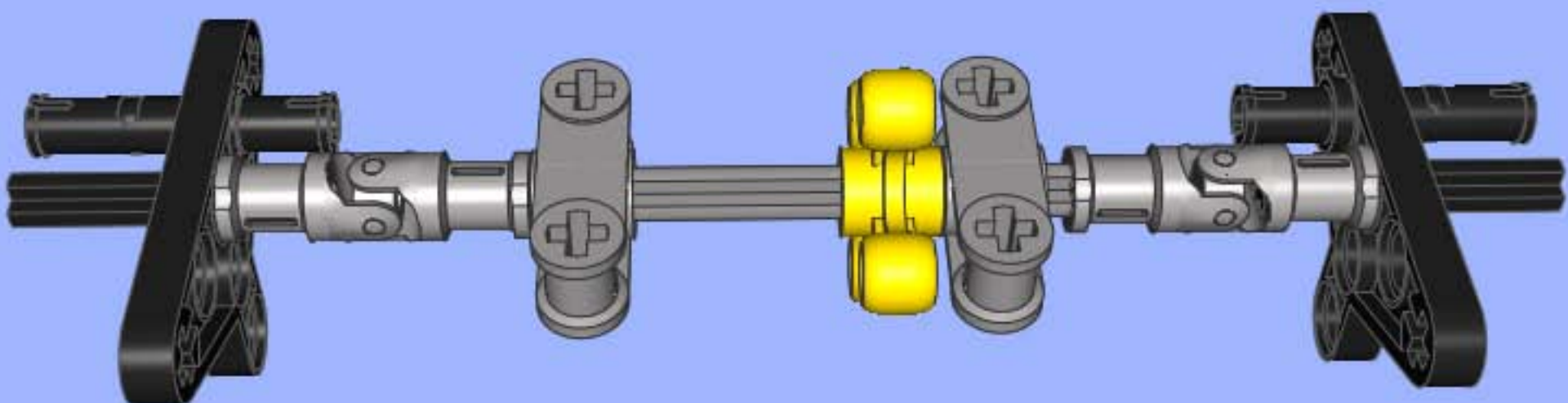
[45982] Tyre 81.6 x 38 R (x5)
[41896] Wheel 43.2 x 26 (x5)

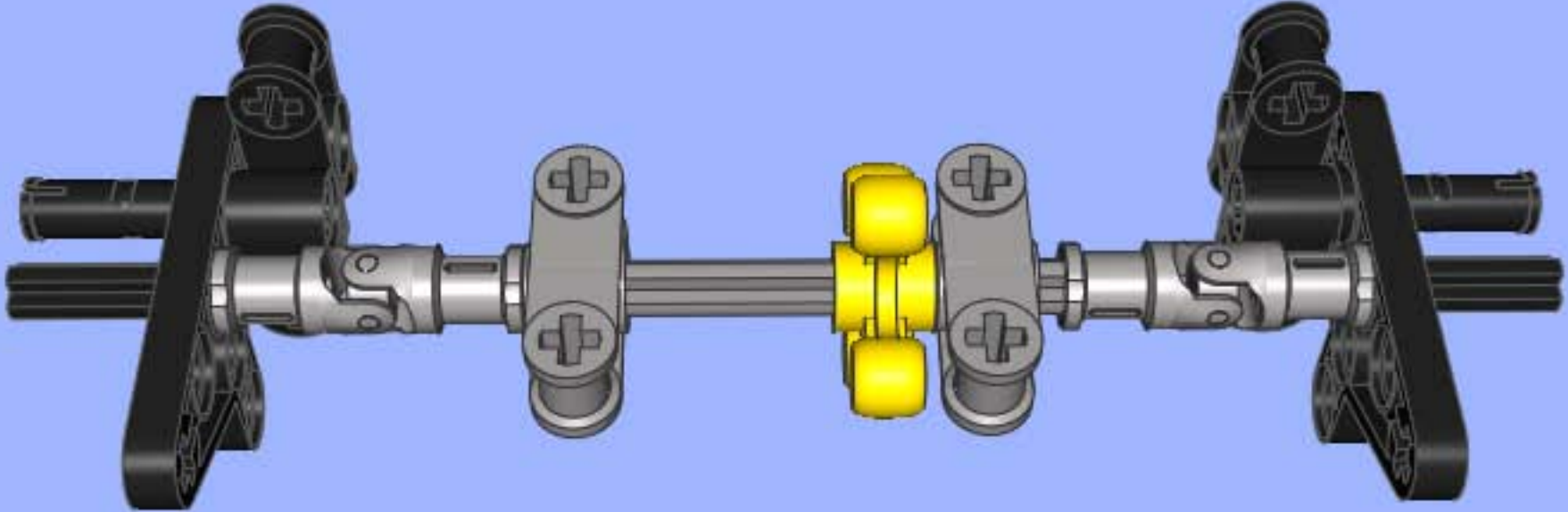


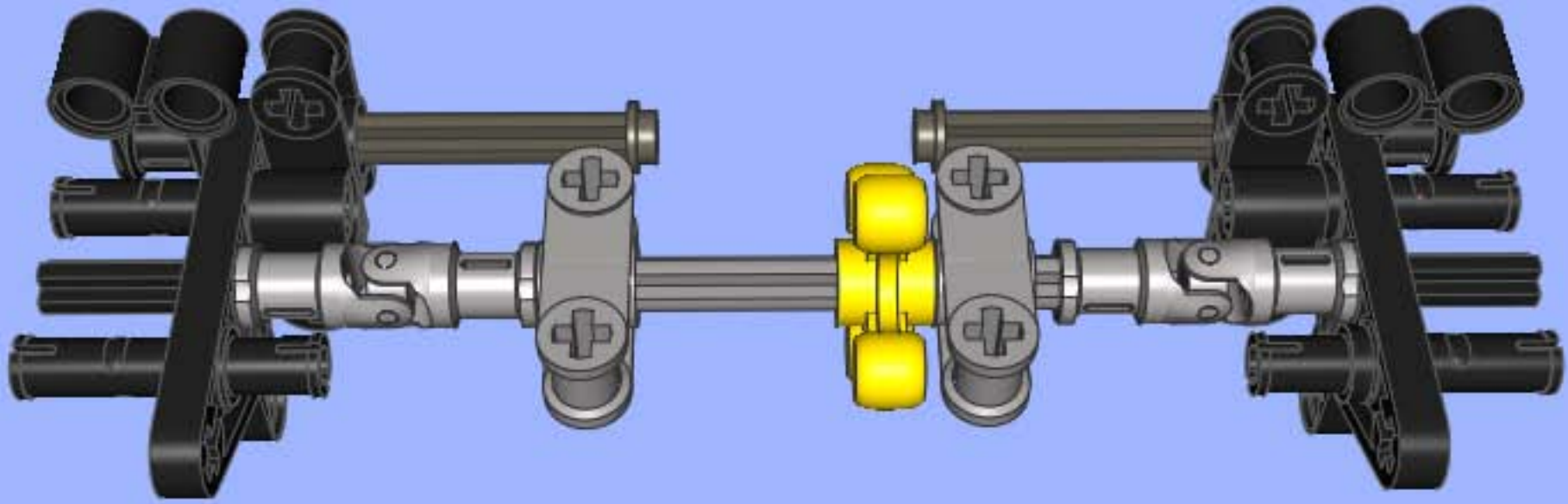


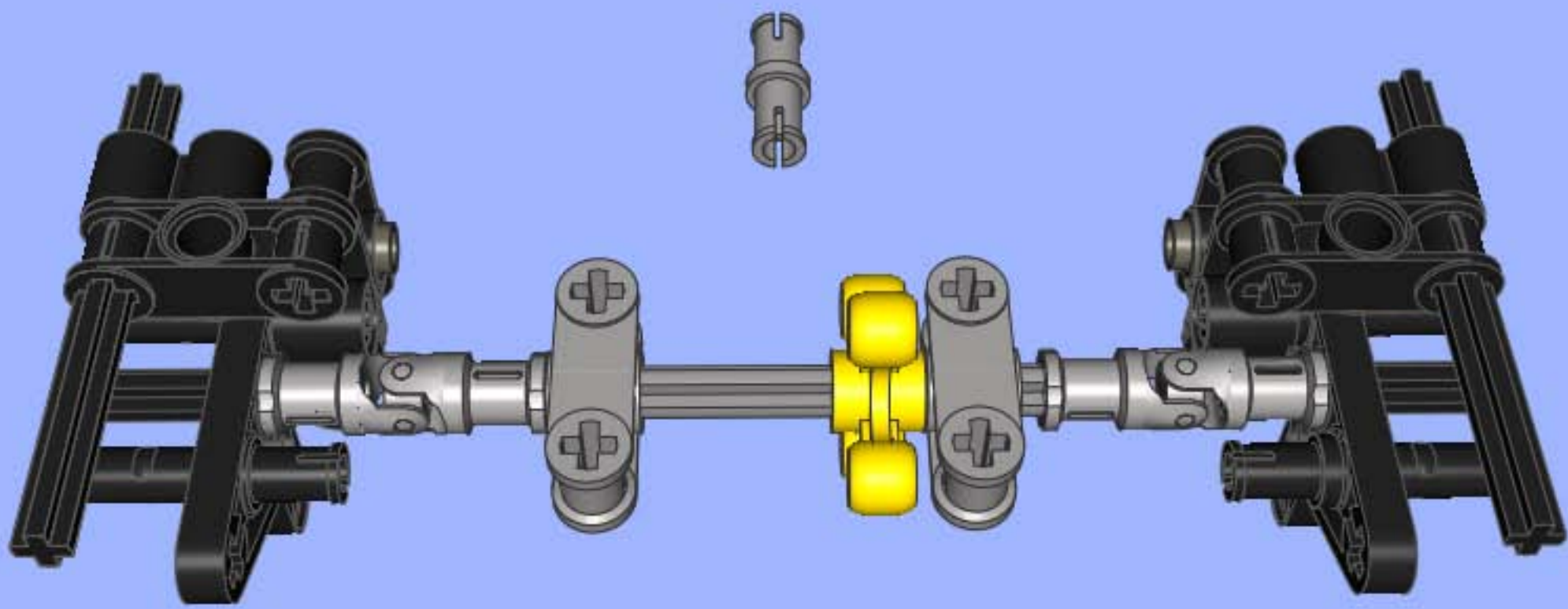


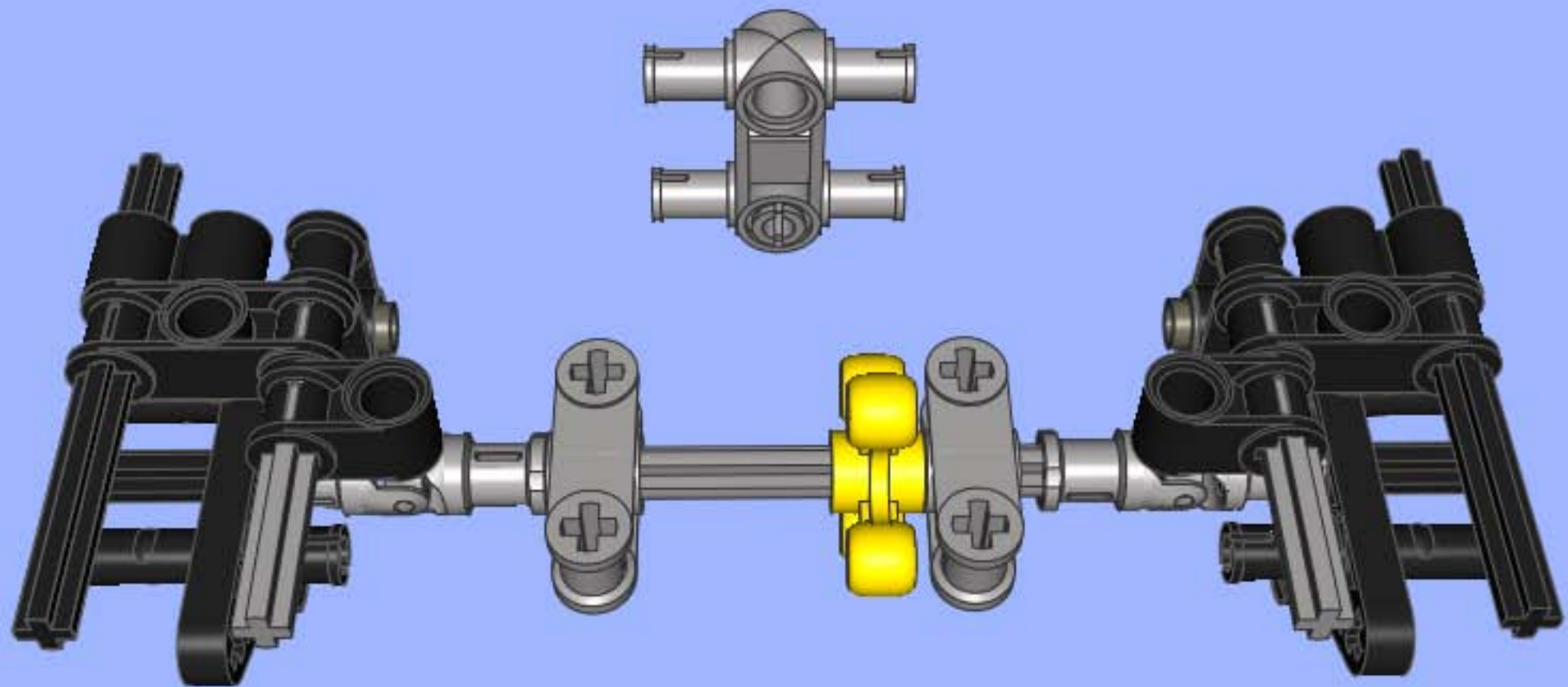


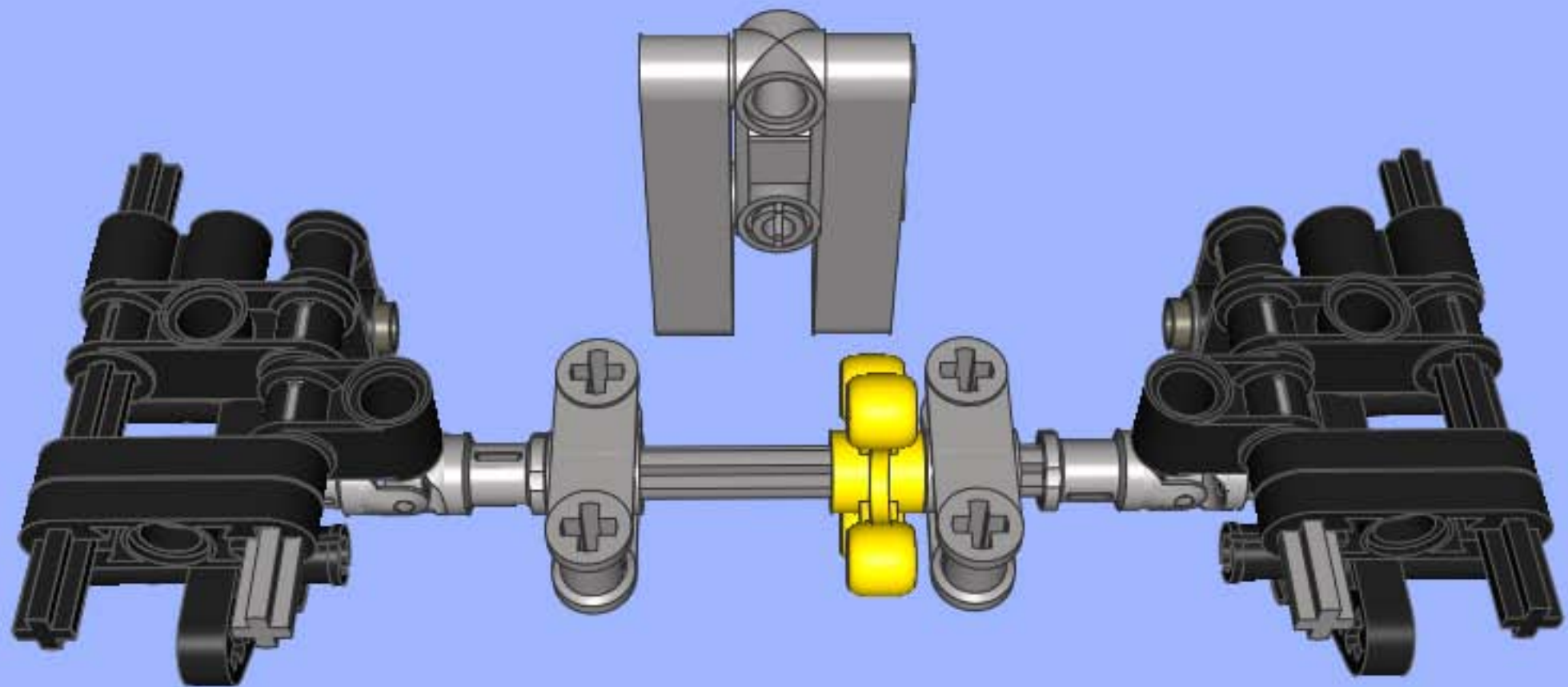


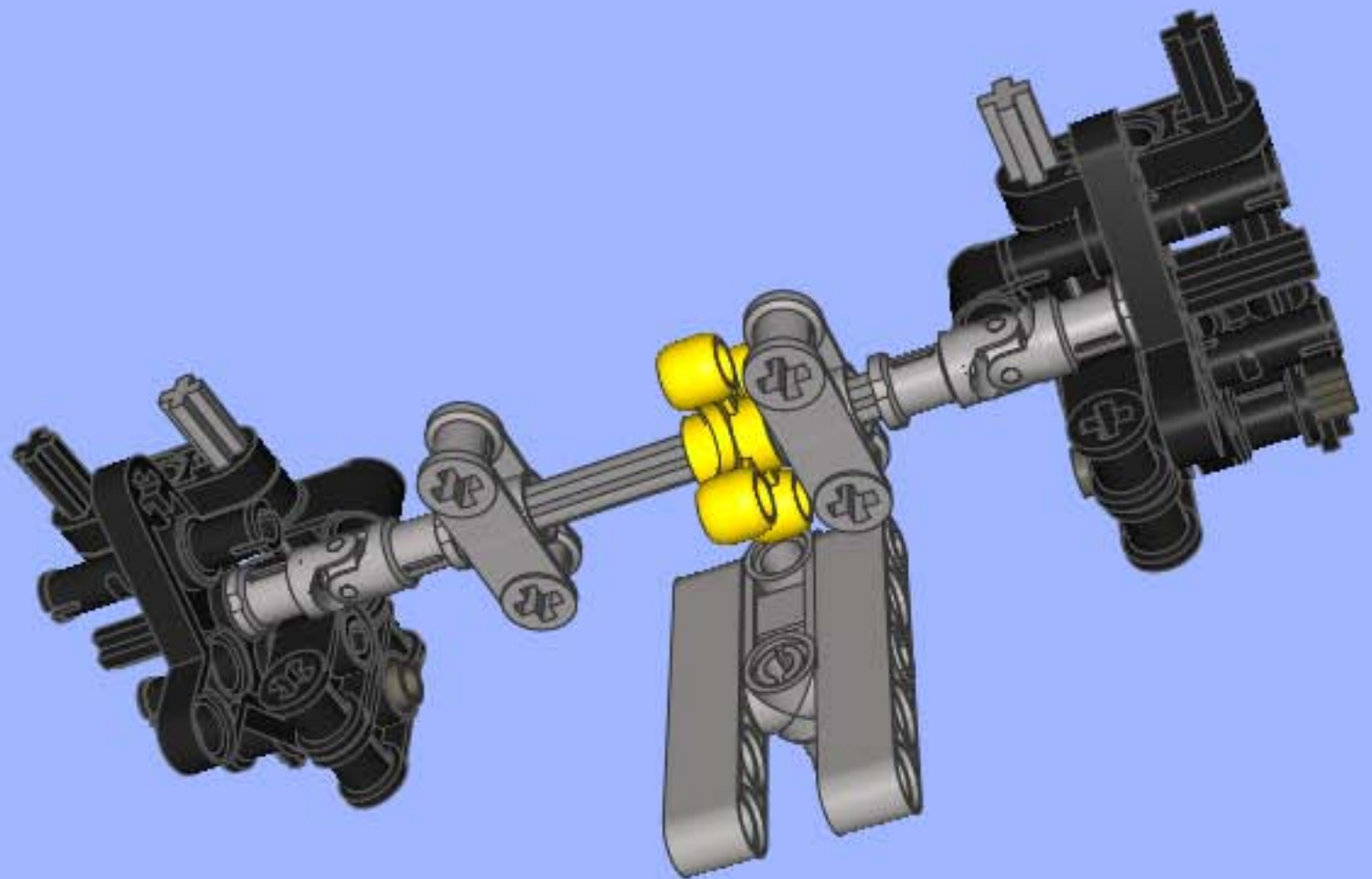


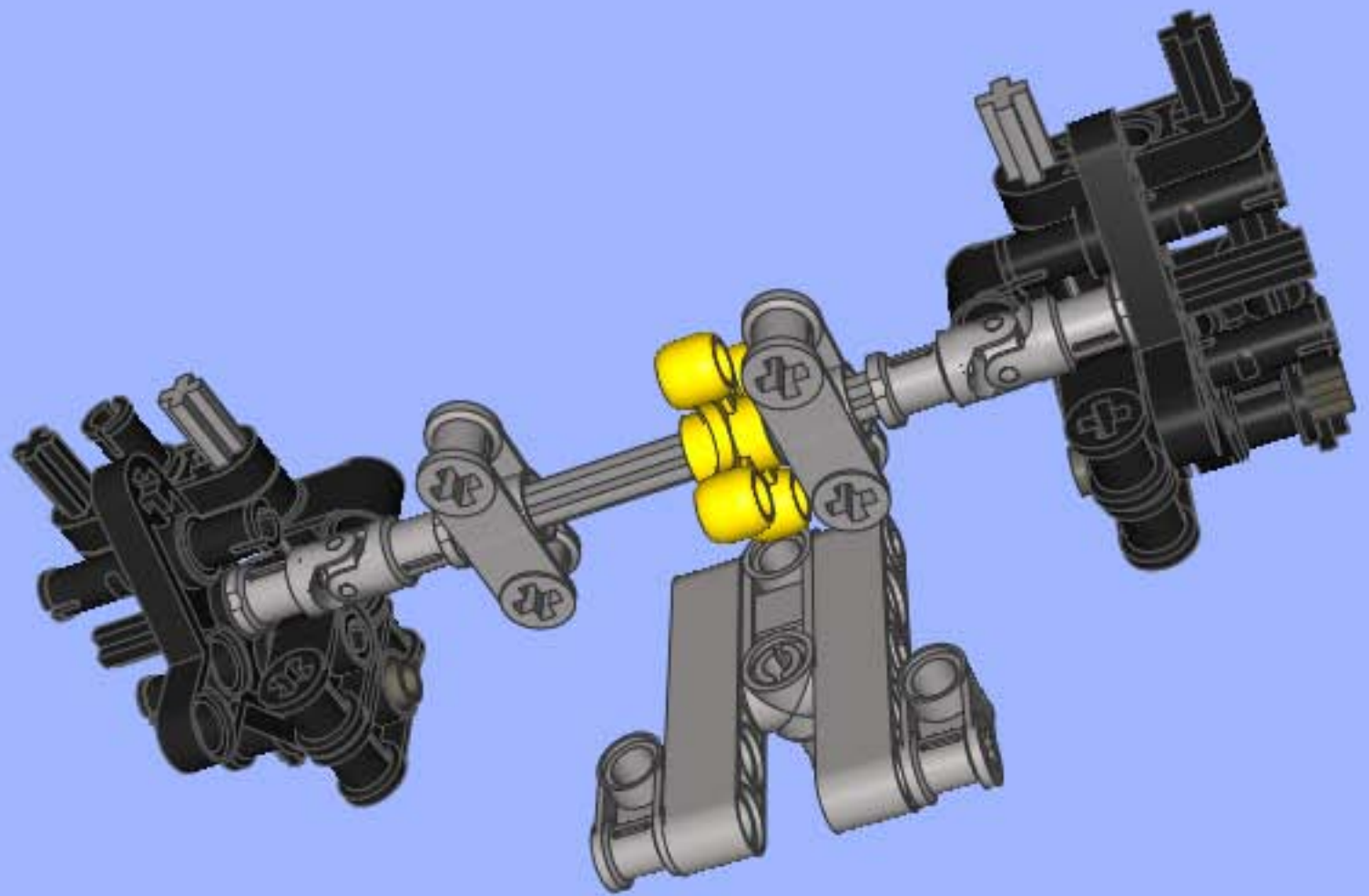


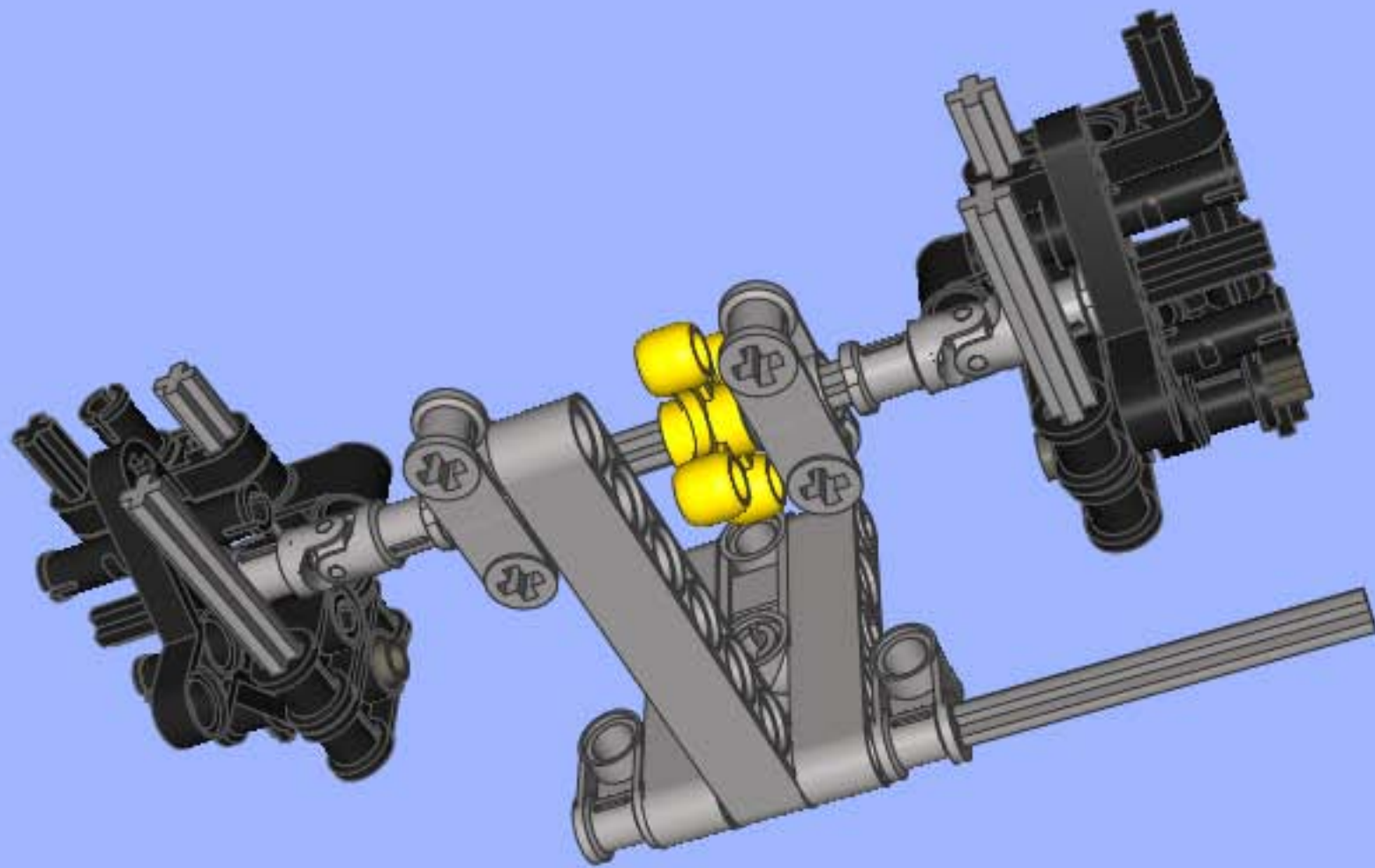


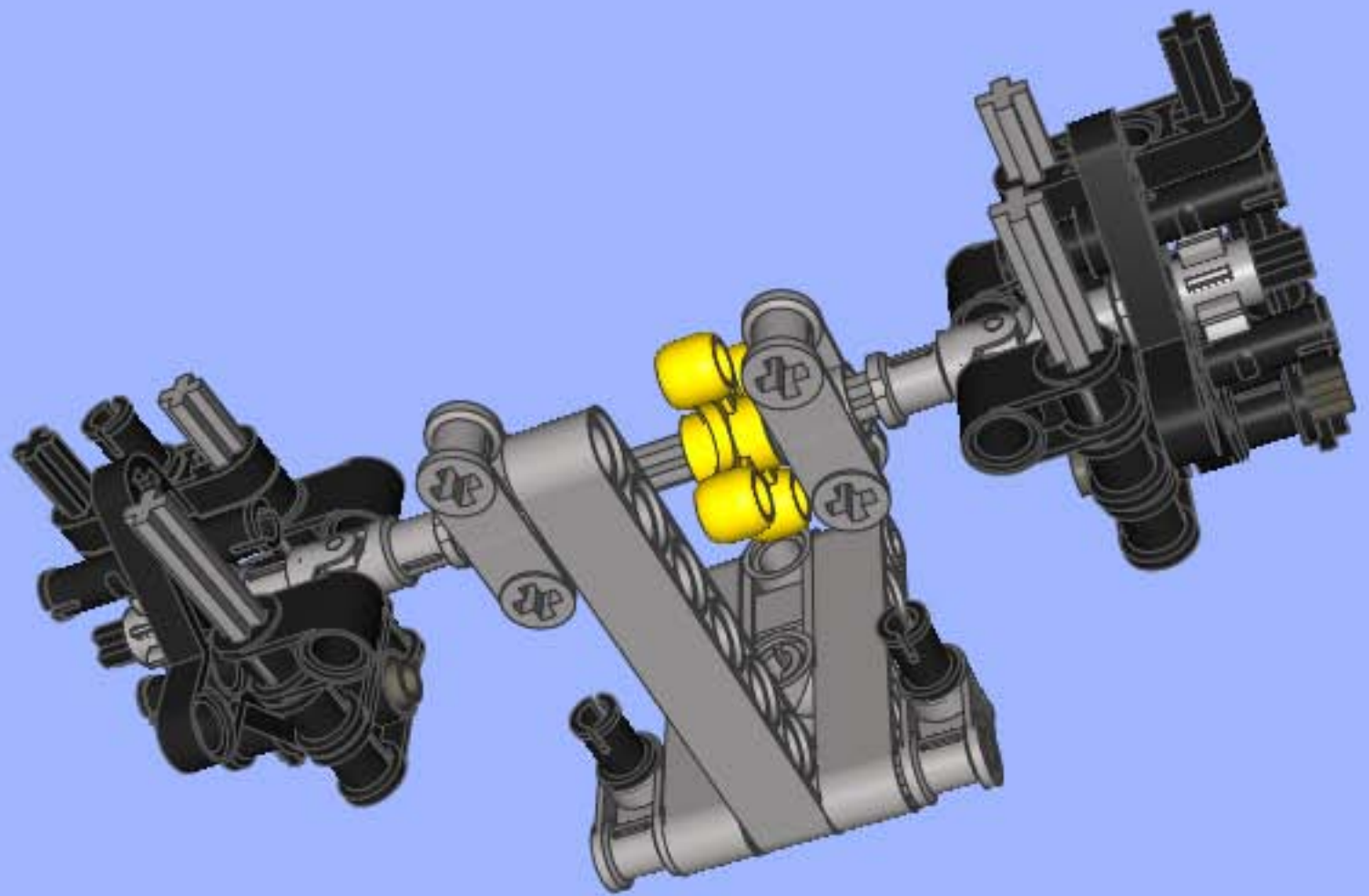


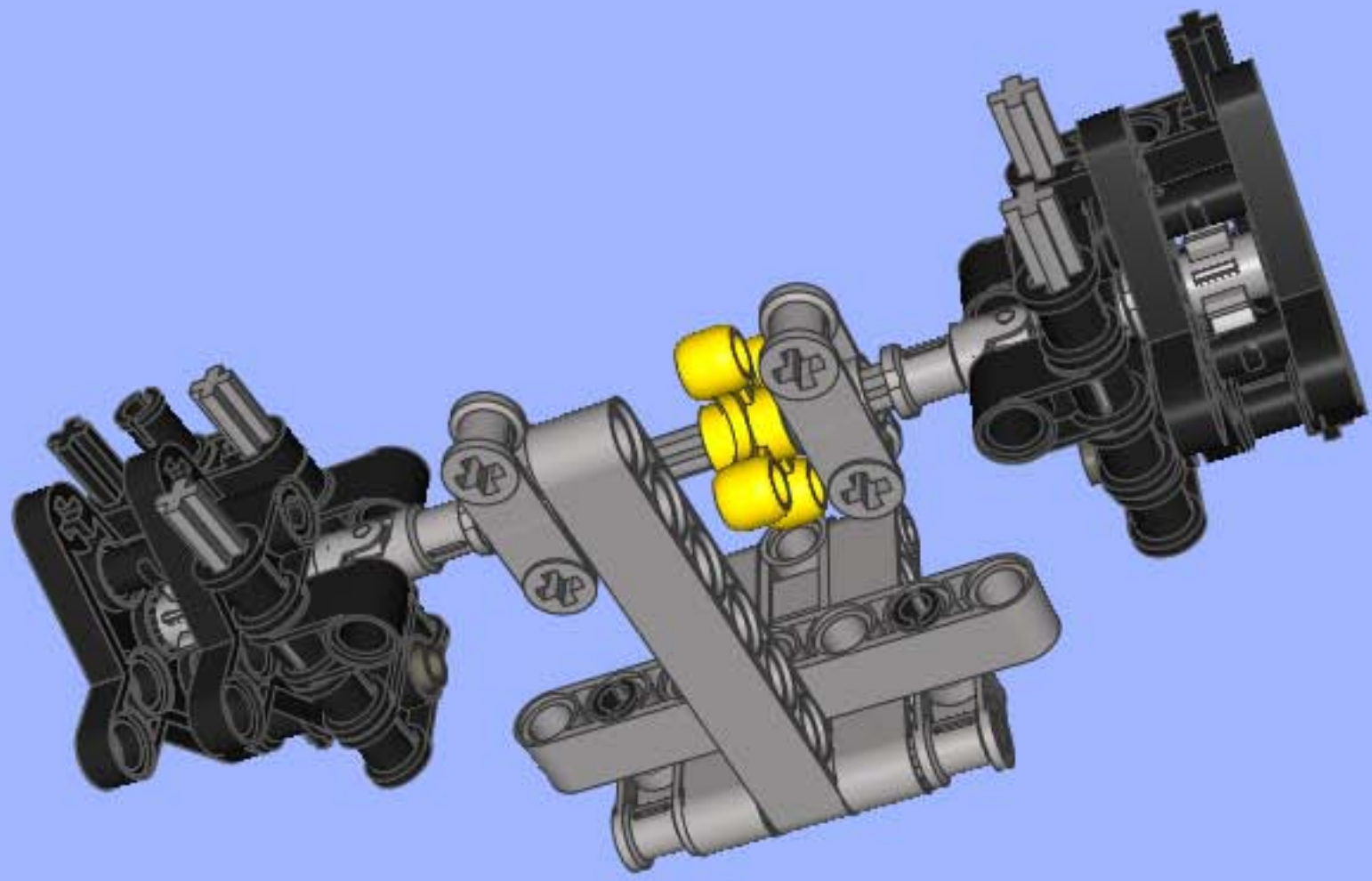


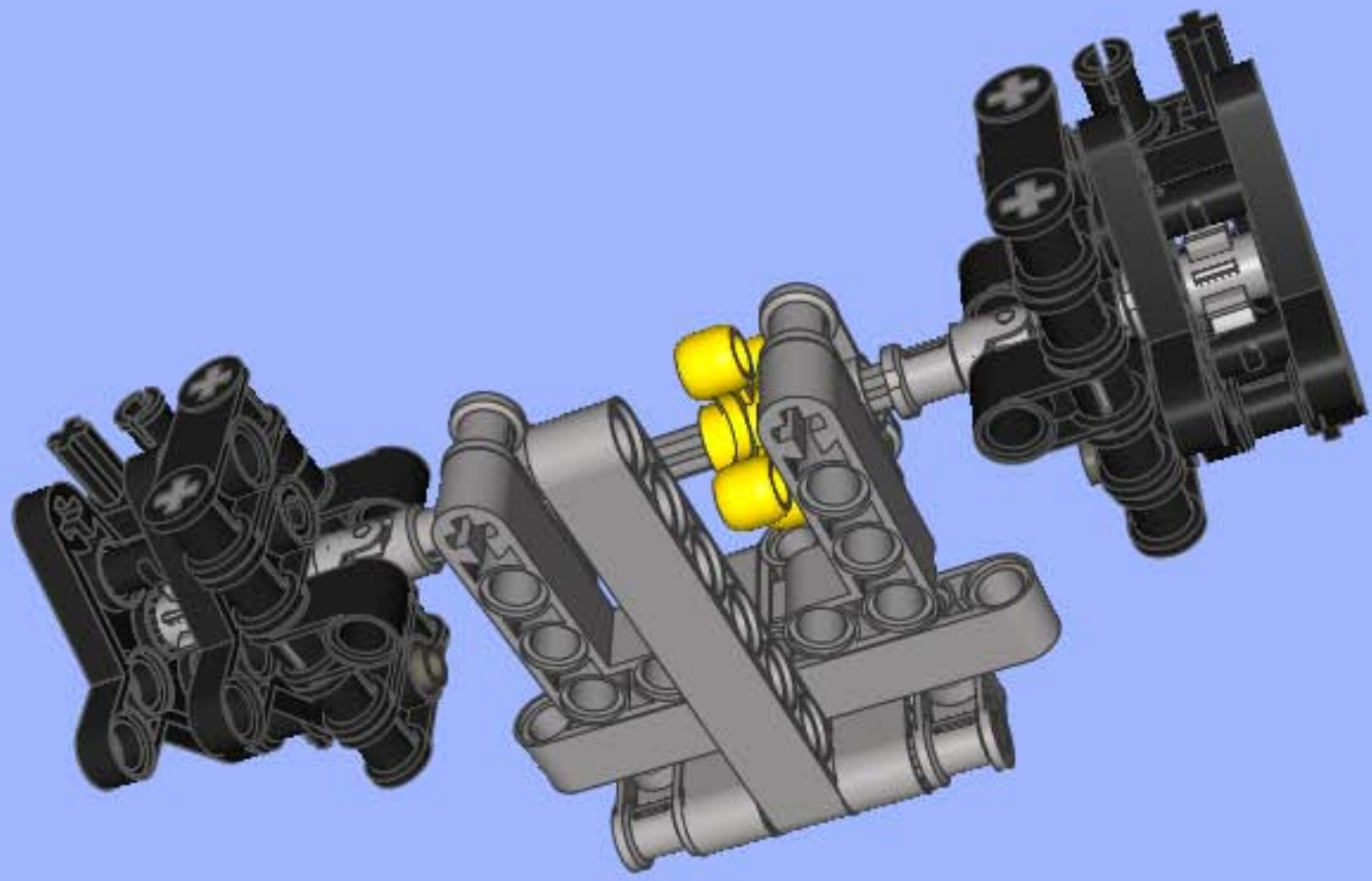


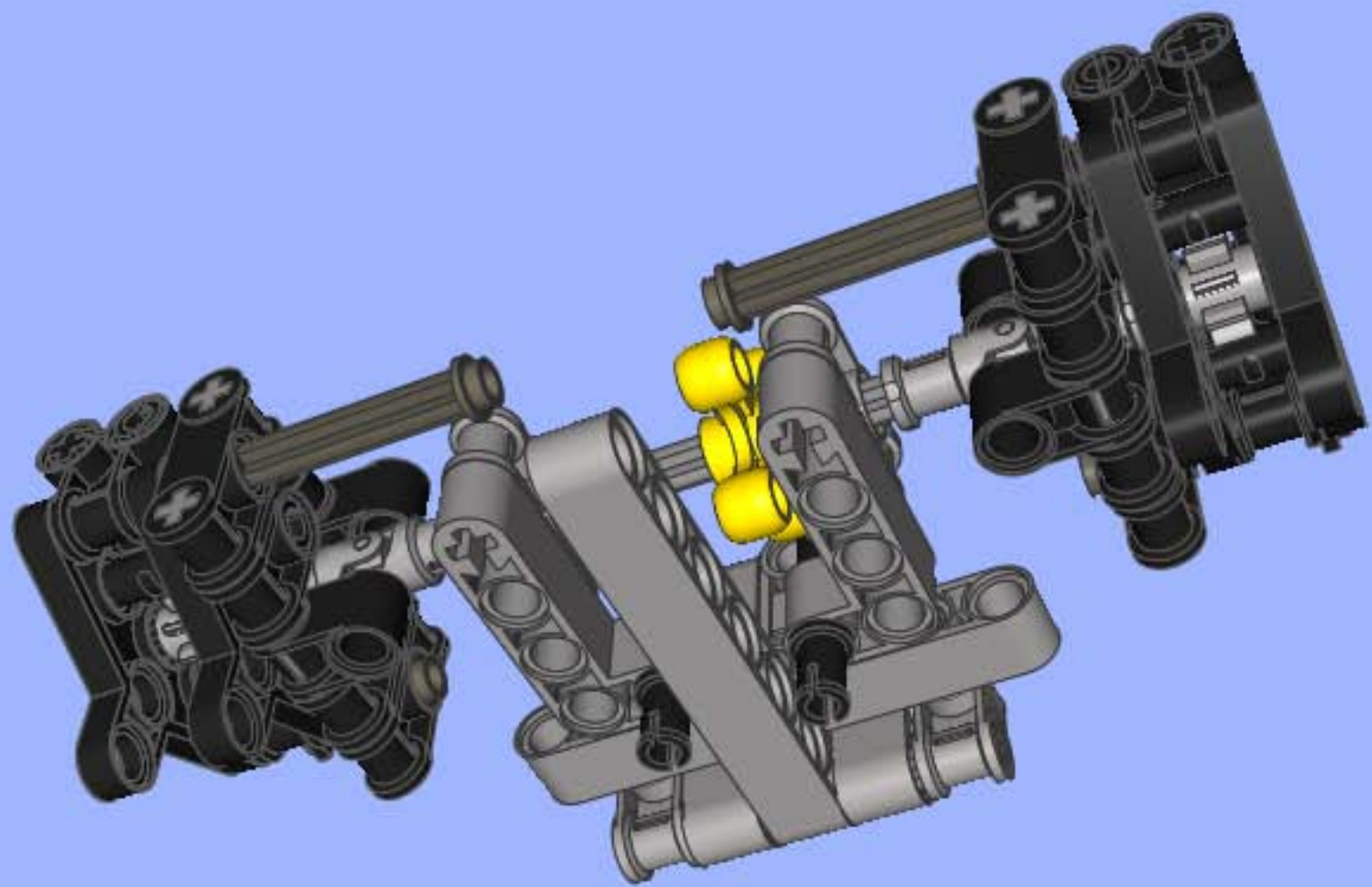


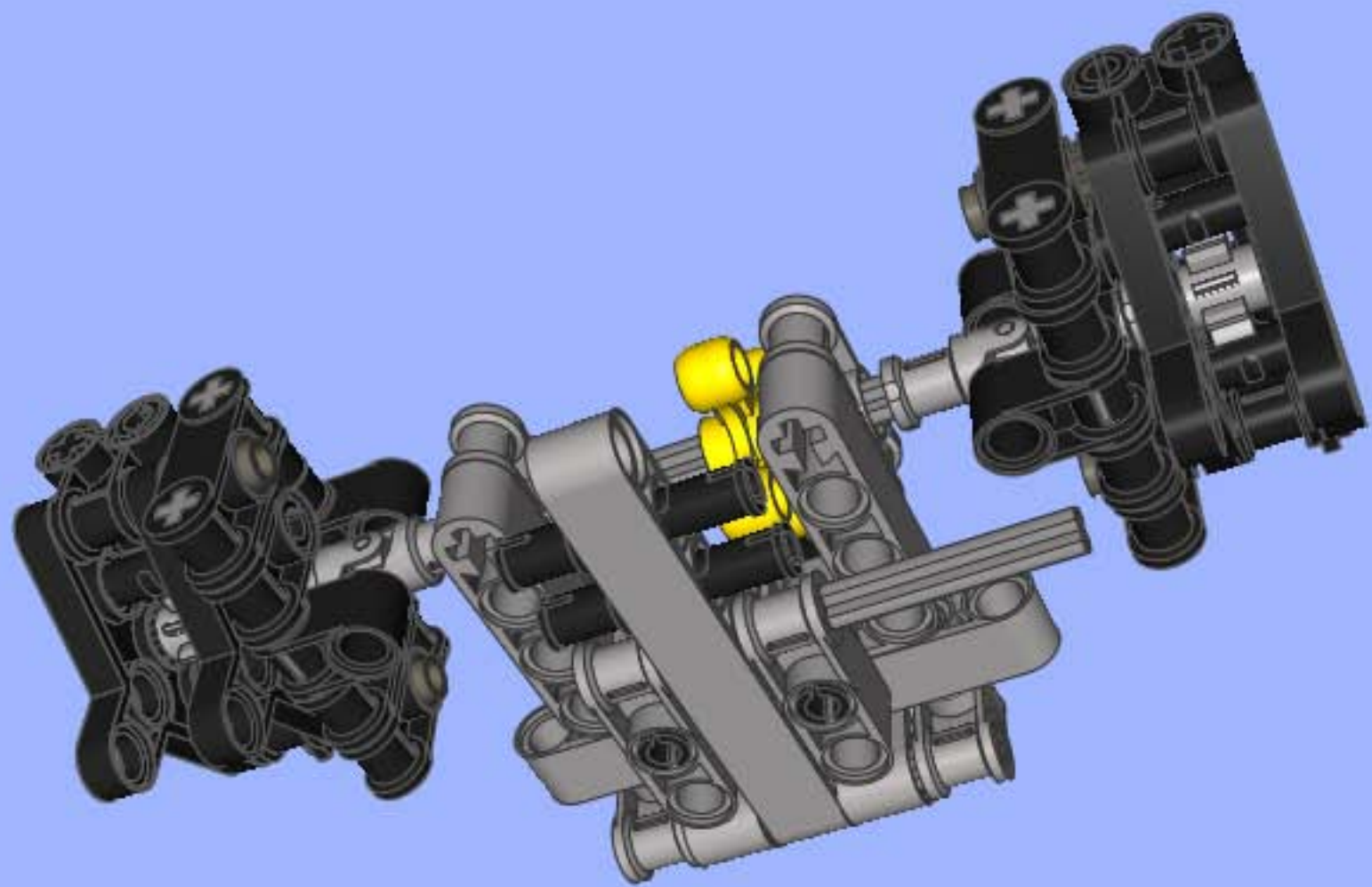


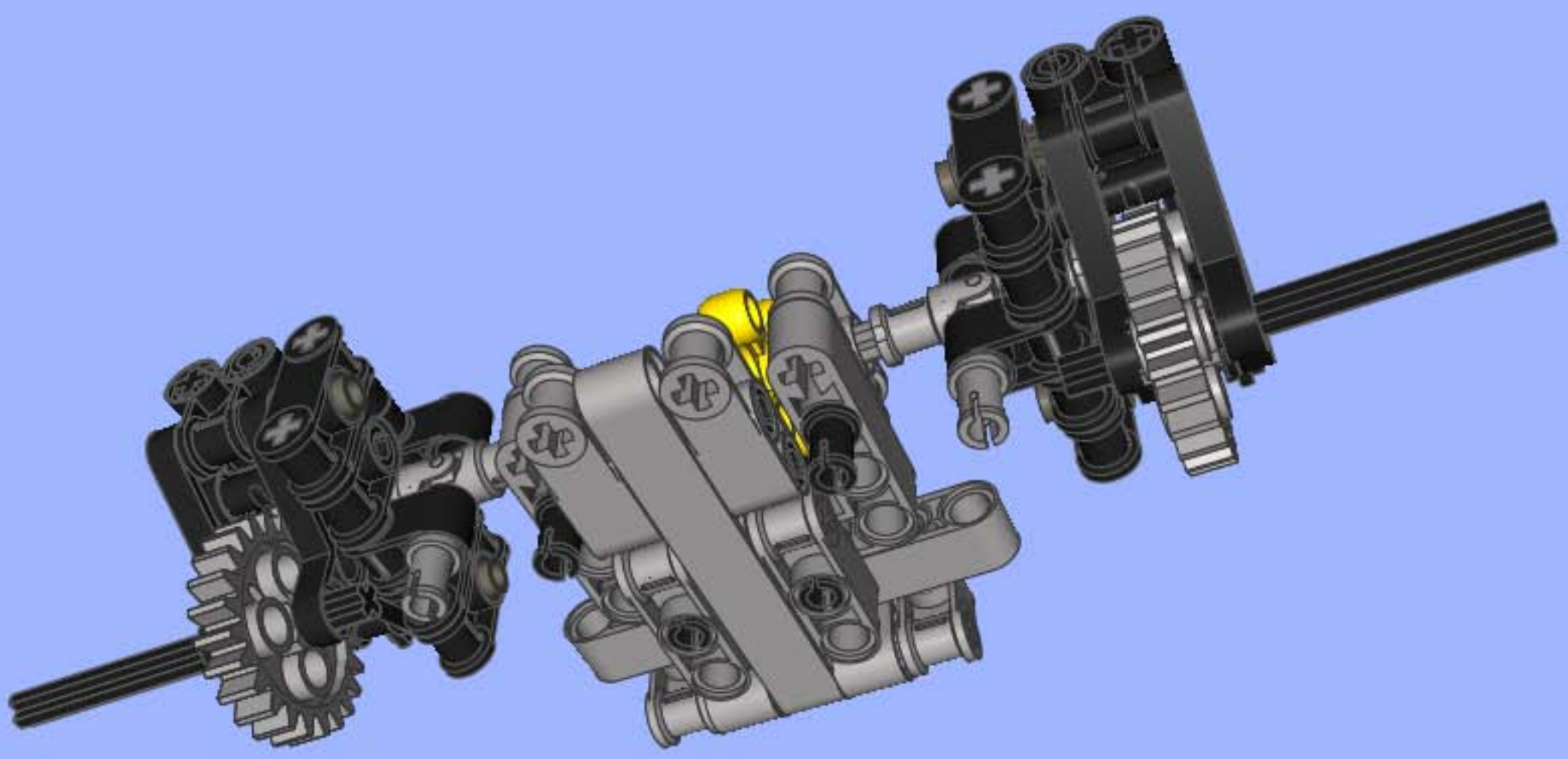


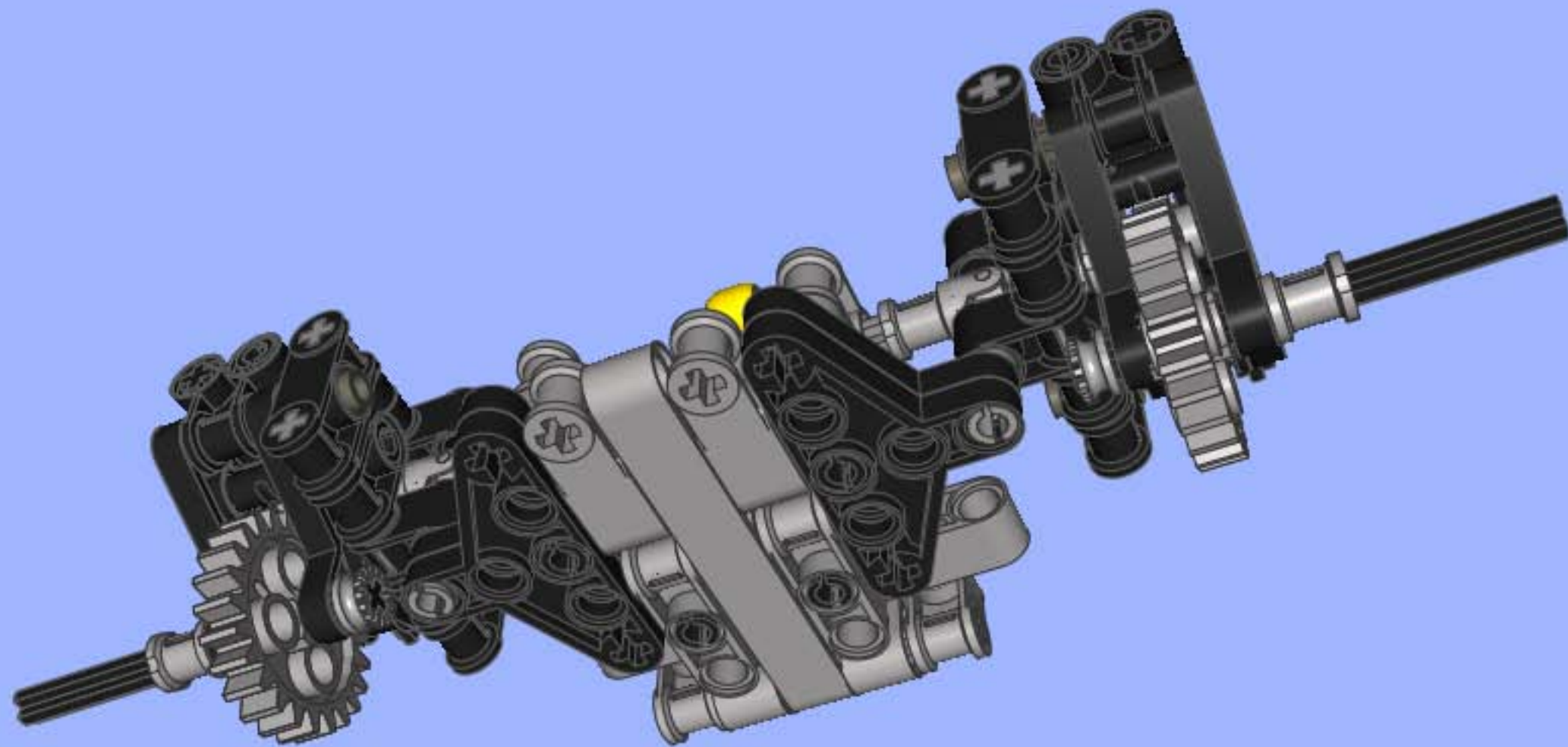


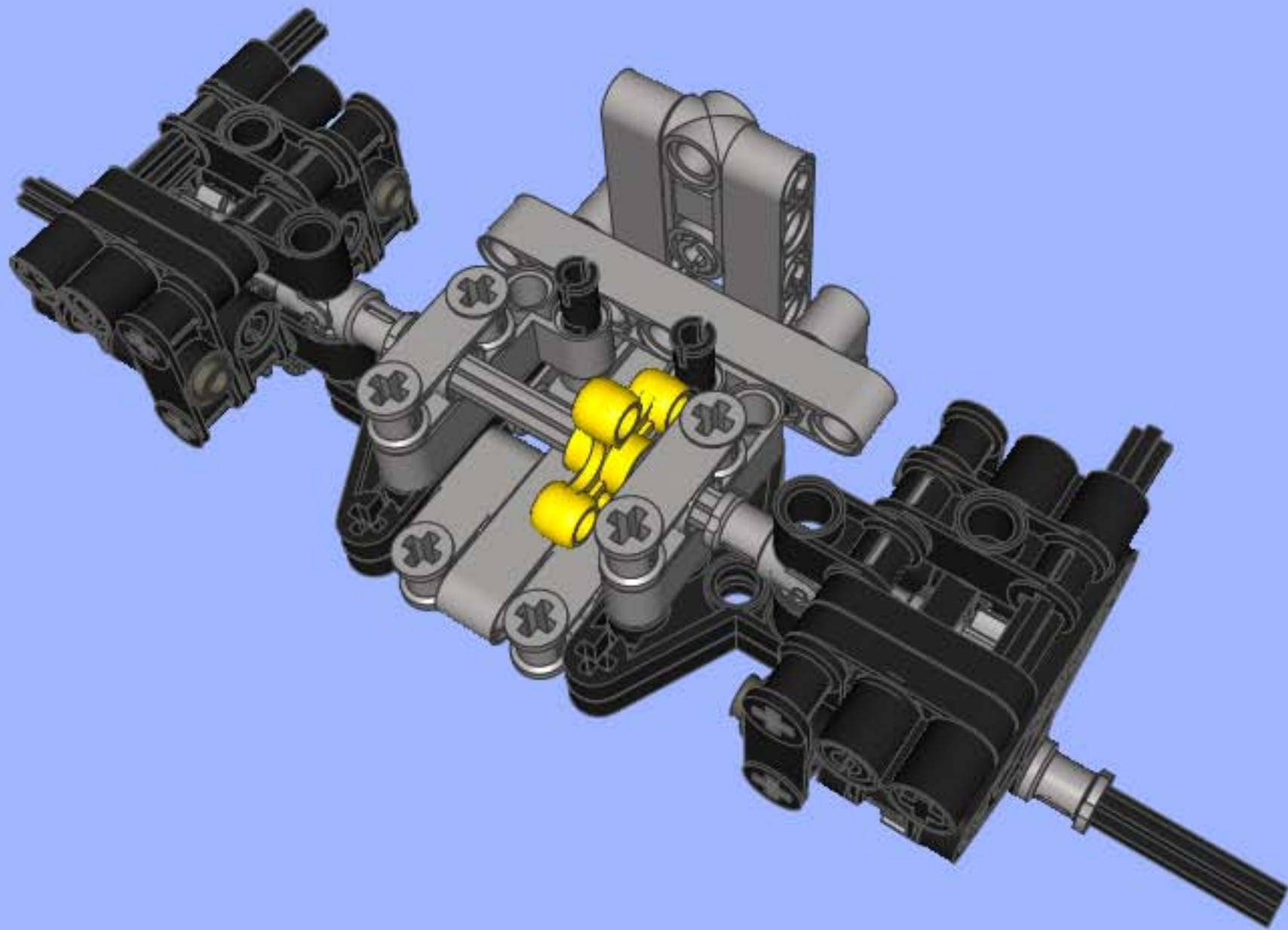


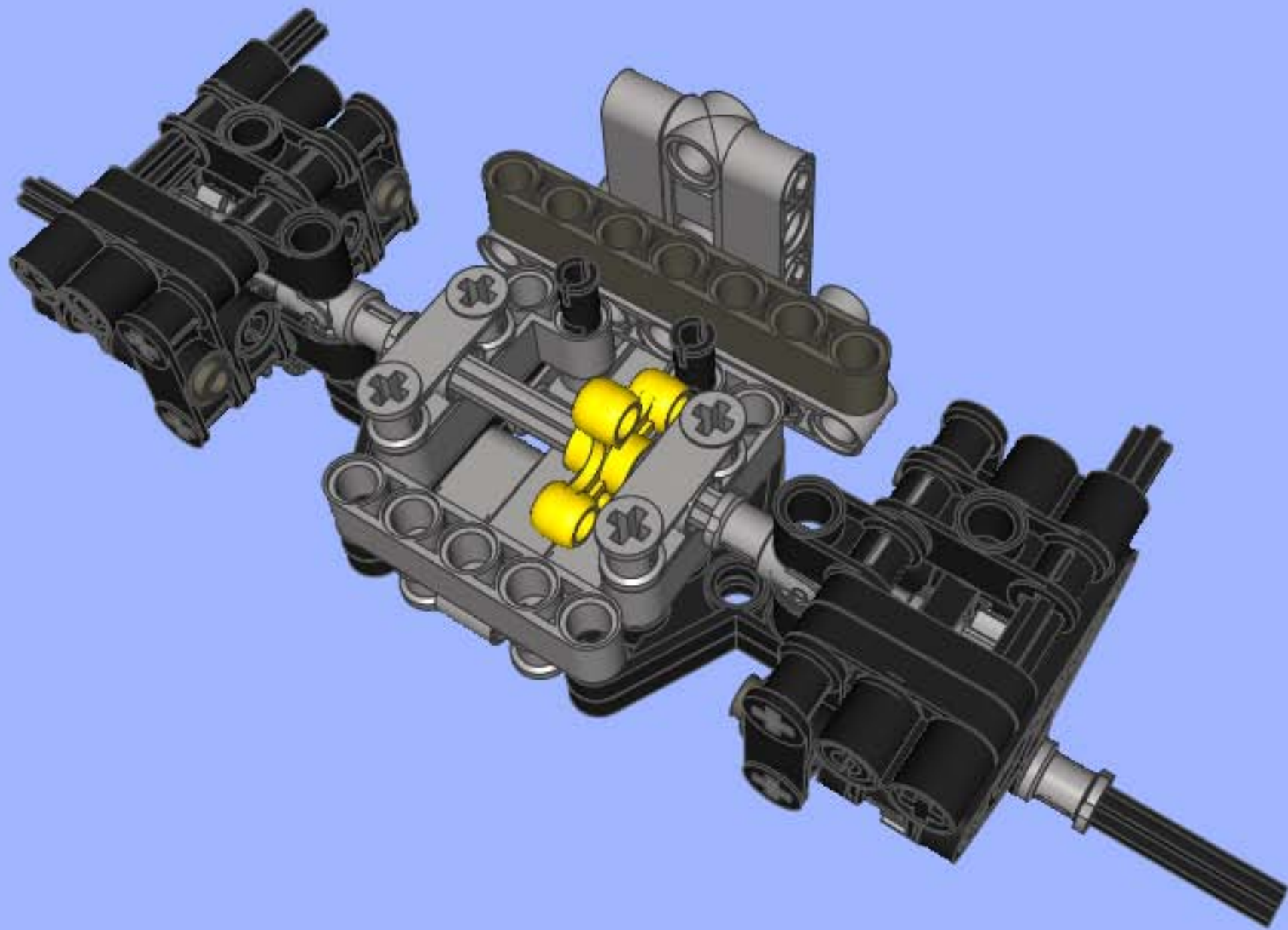


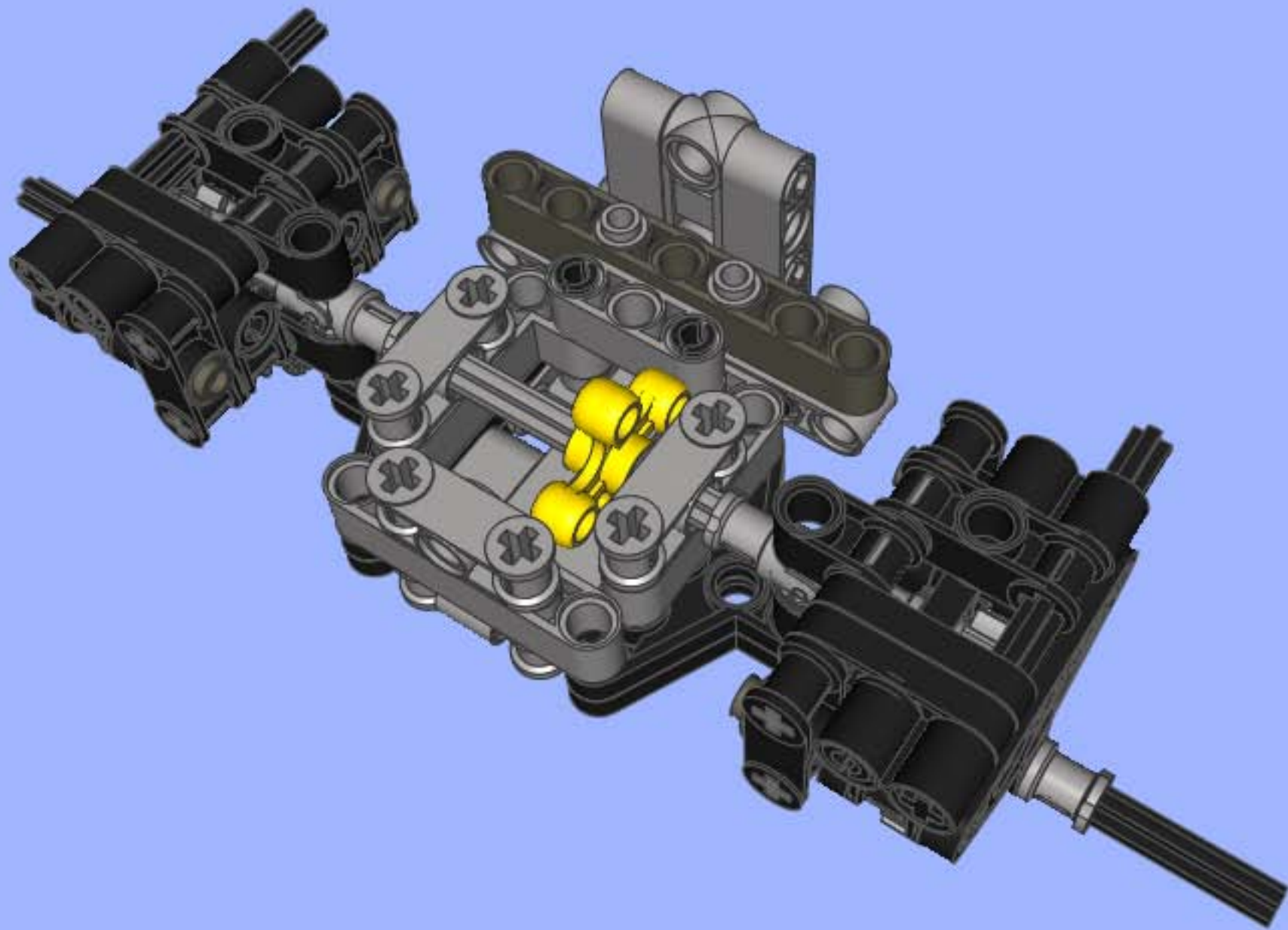


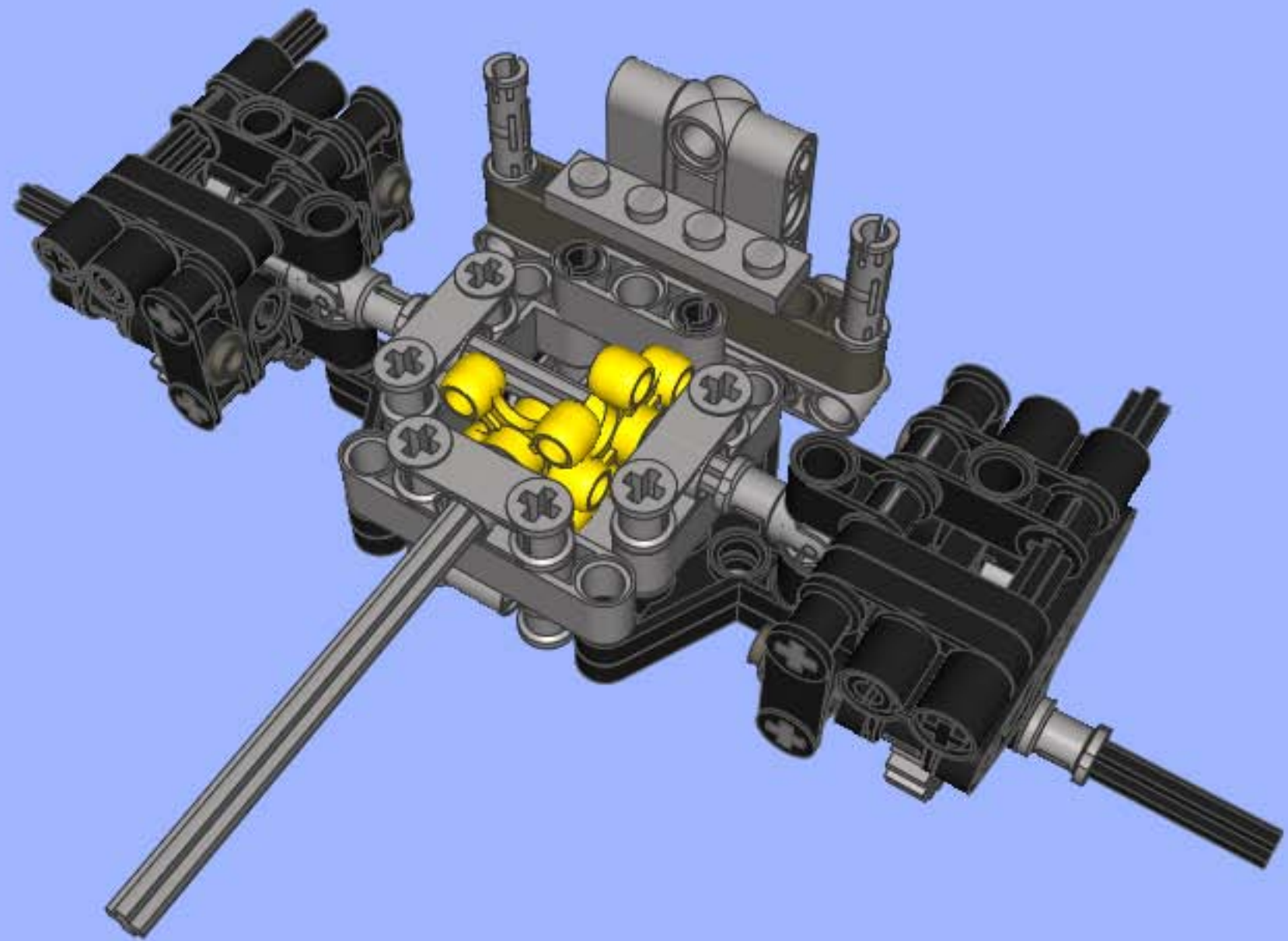


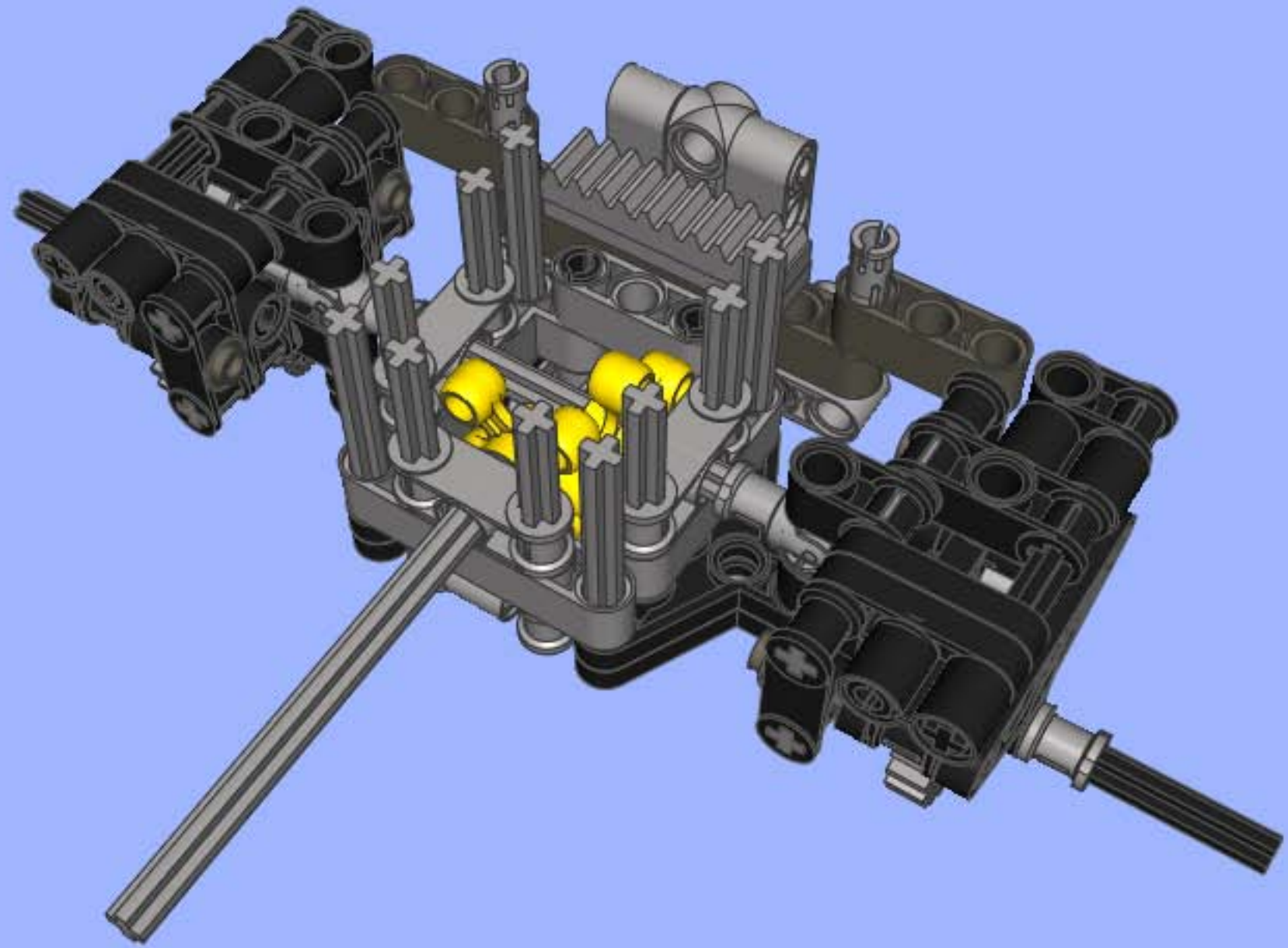


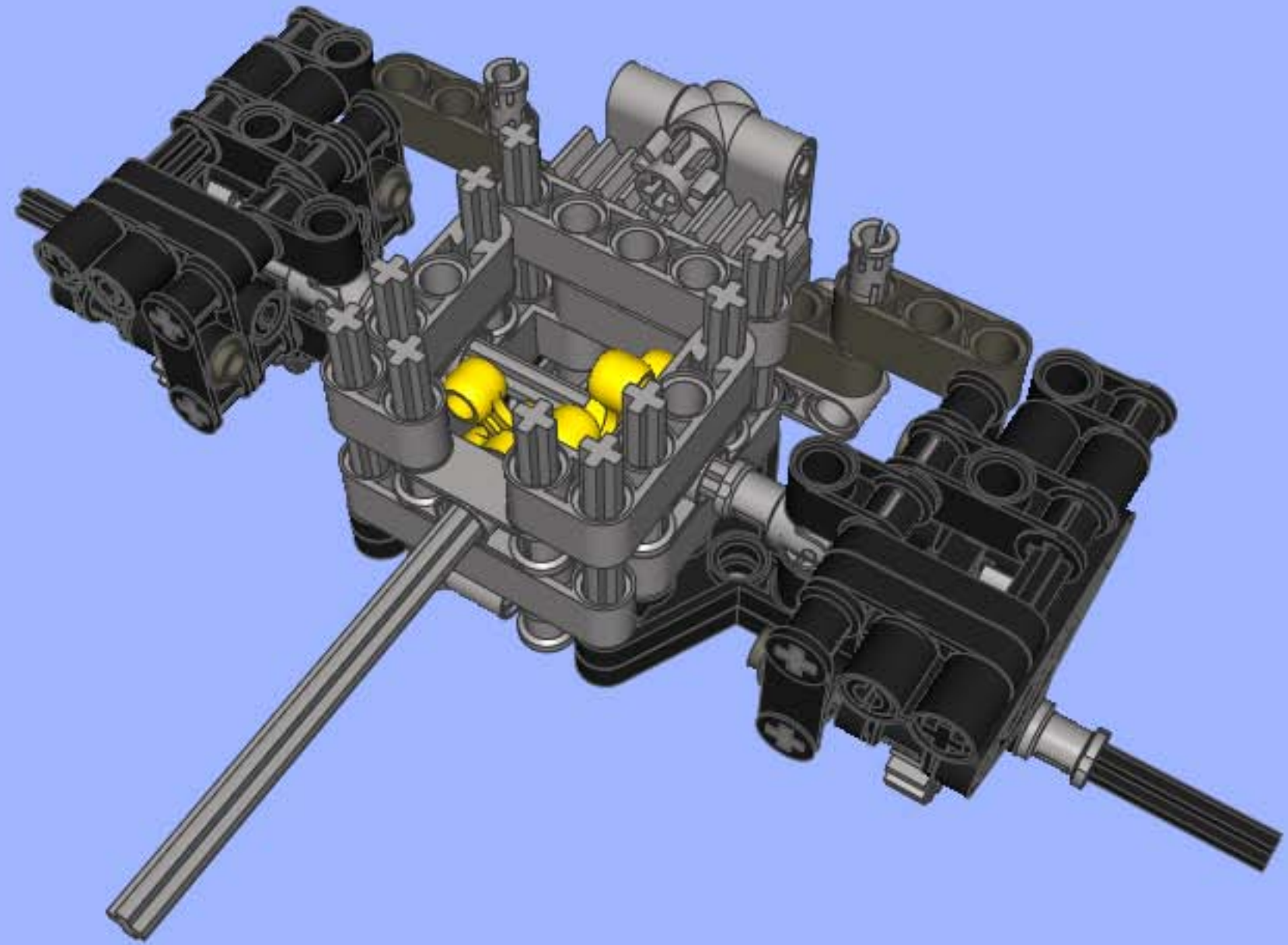


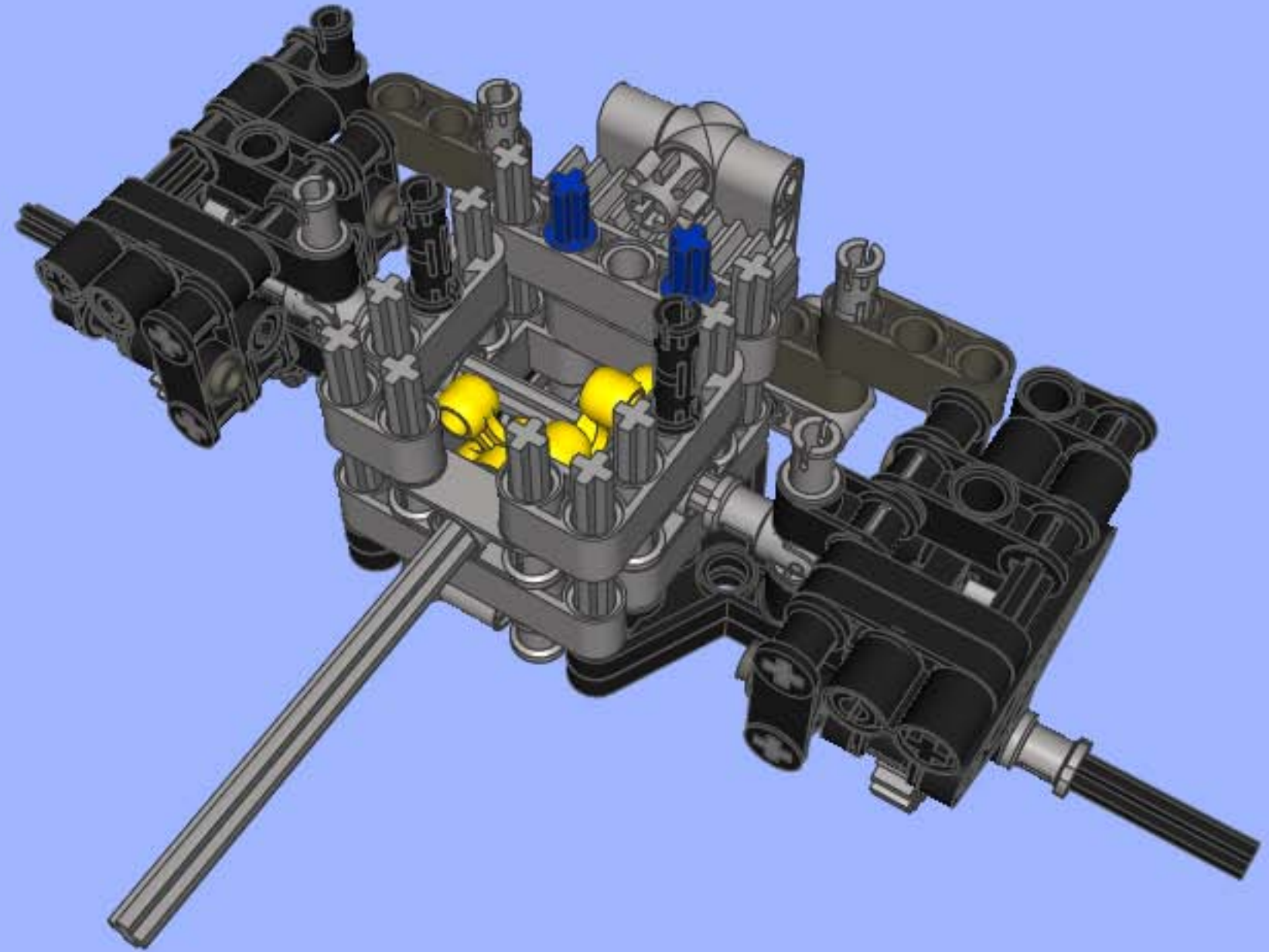


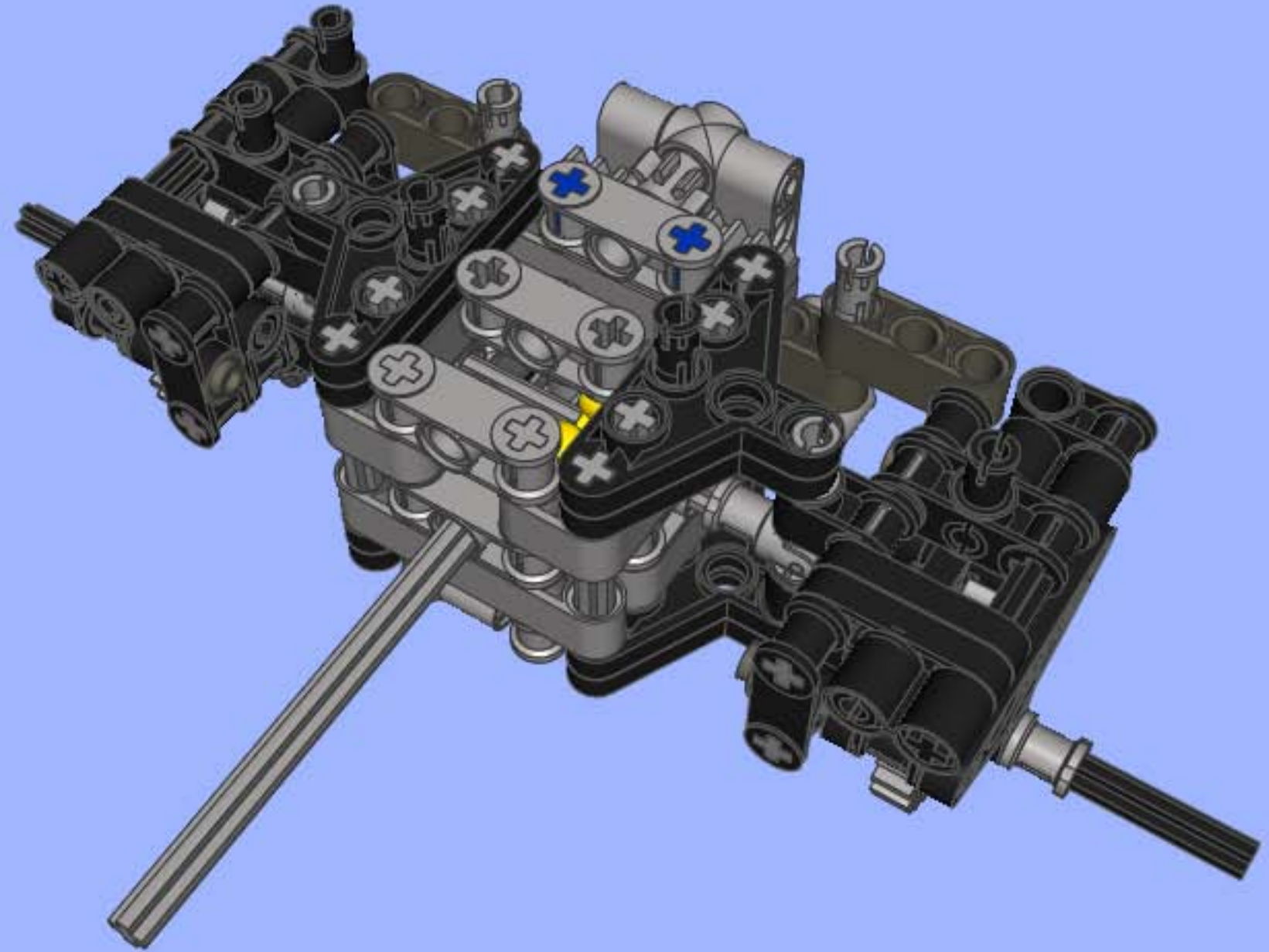


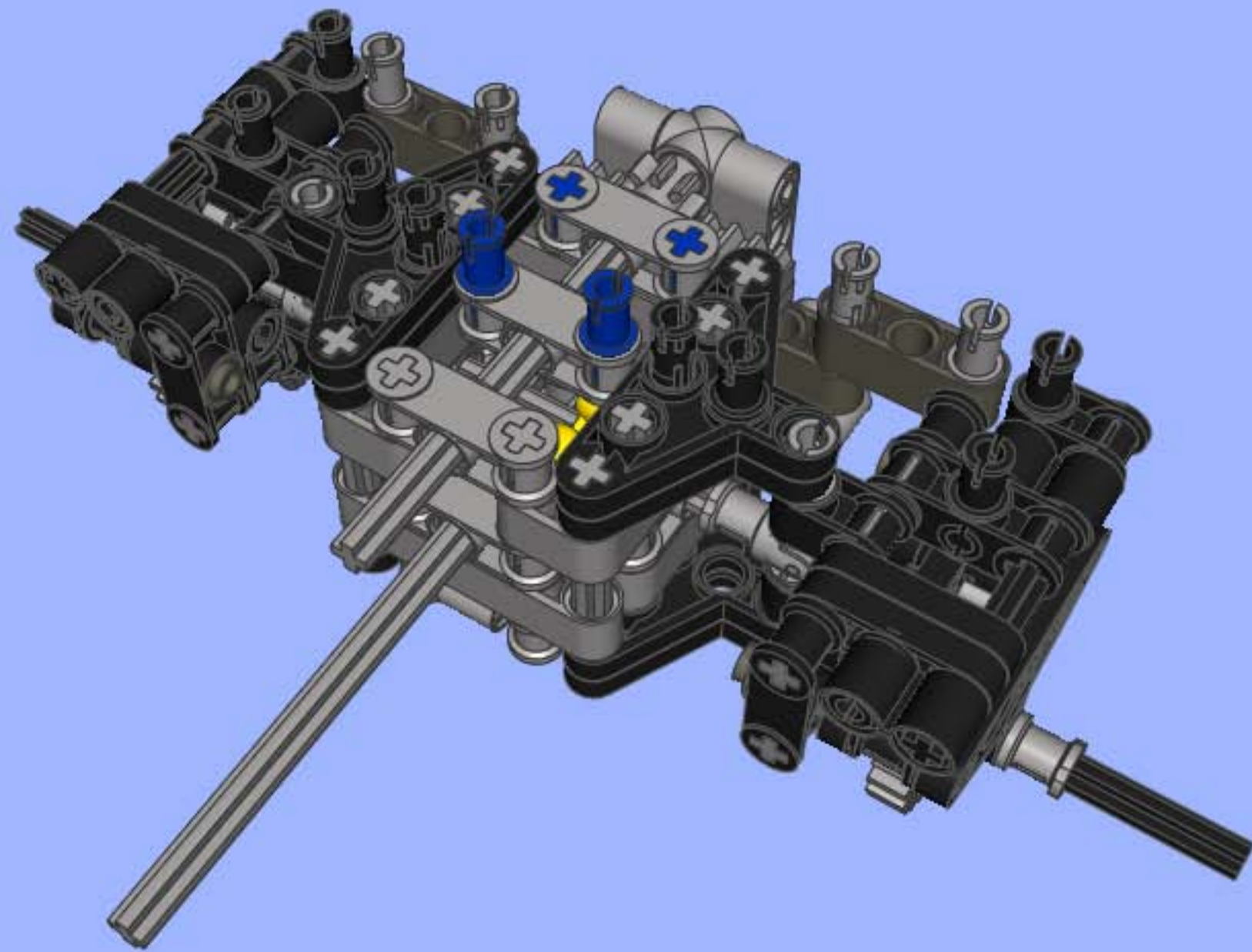


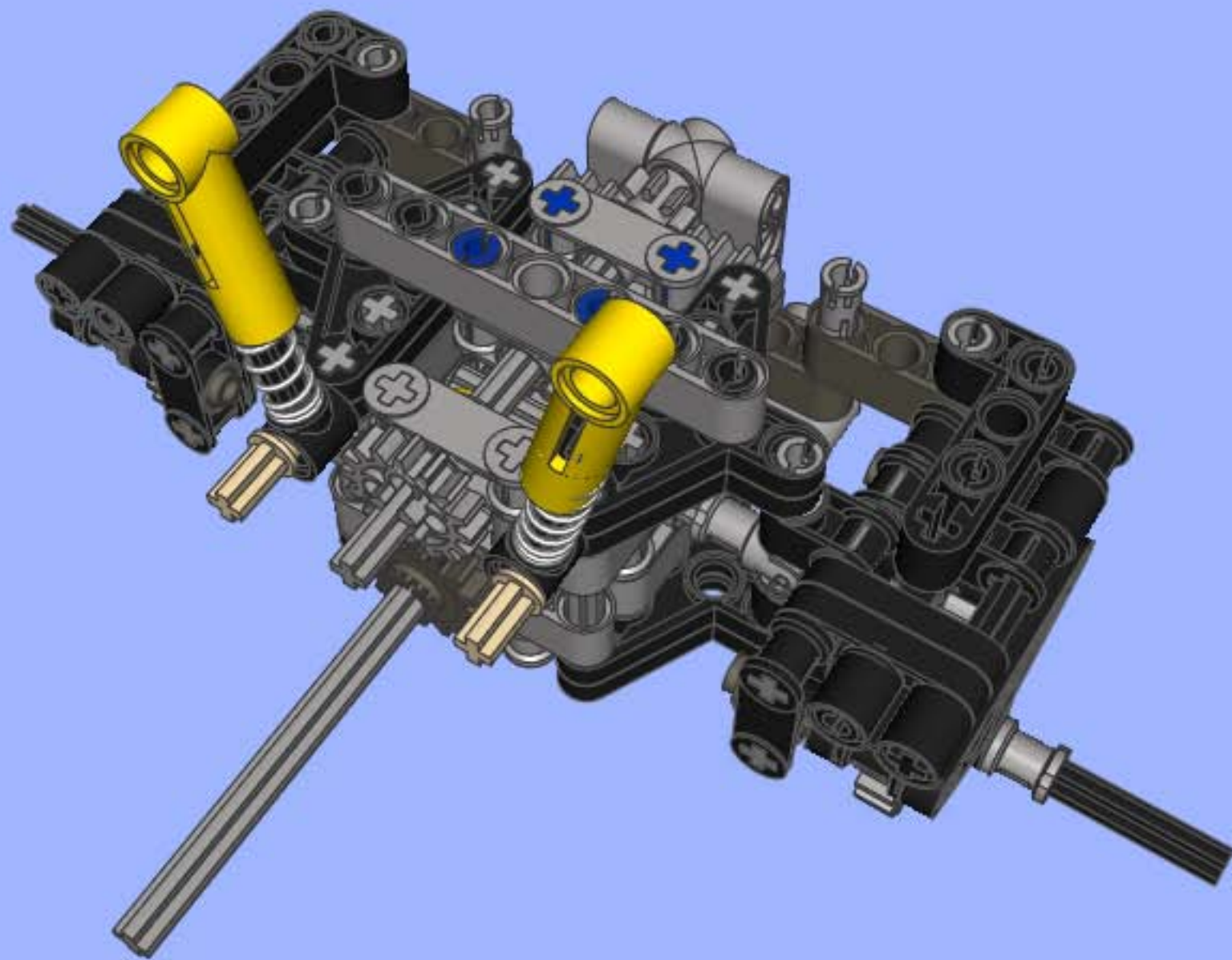


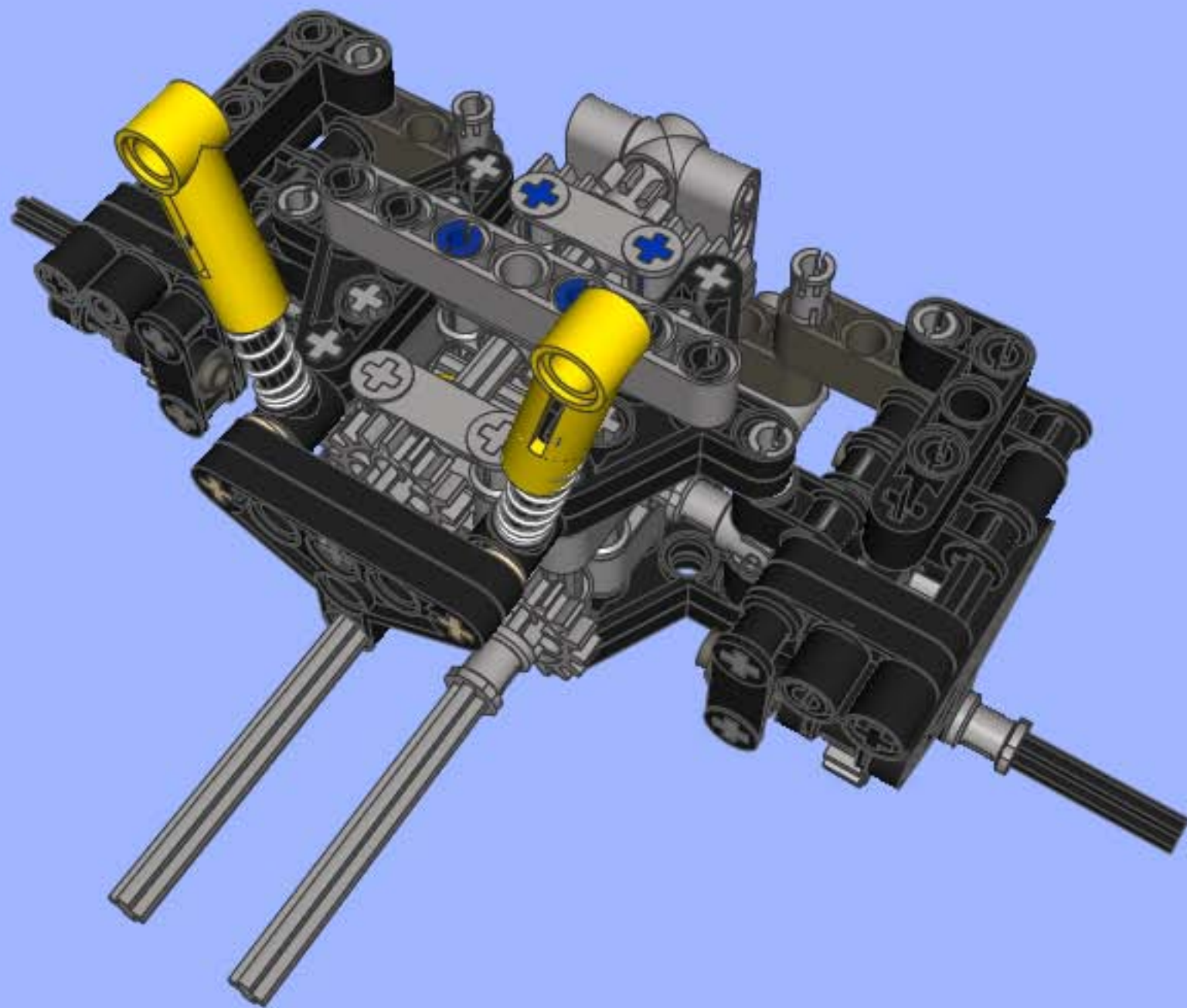


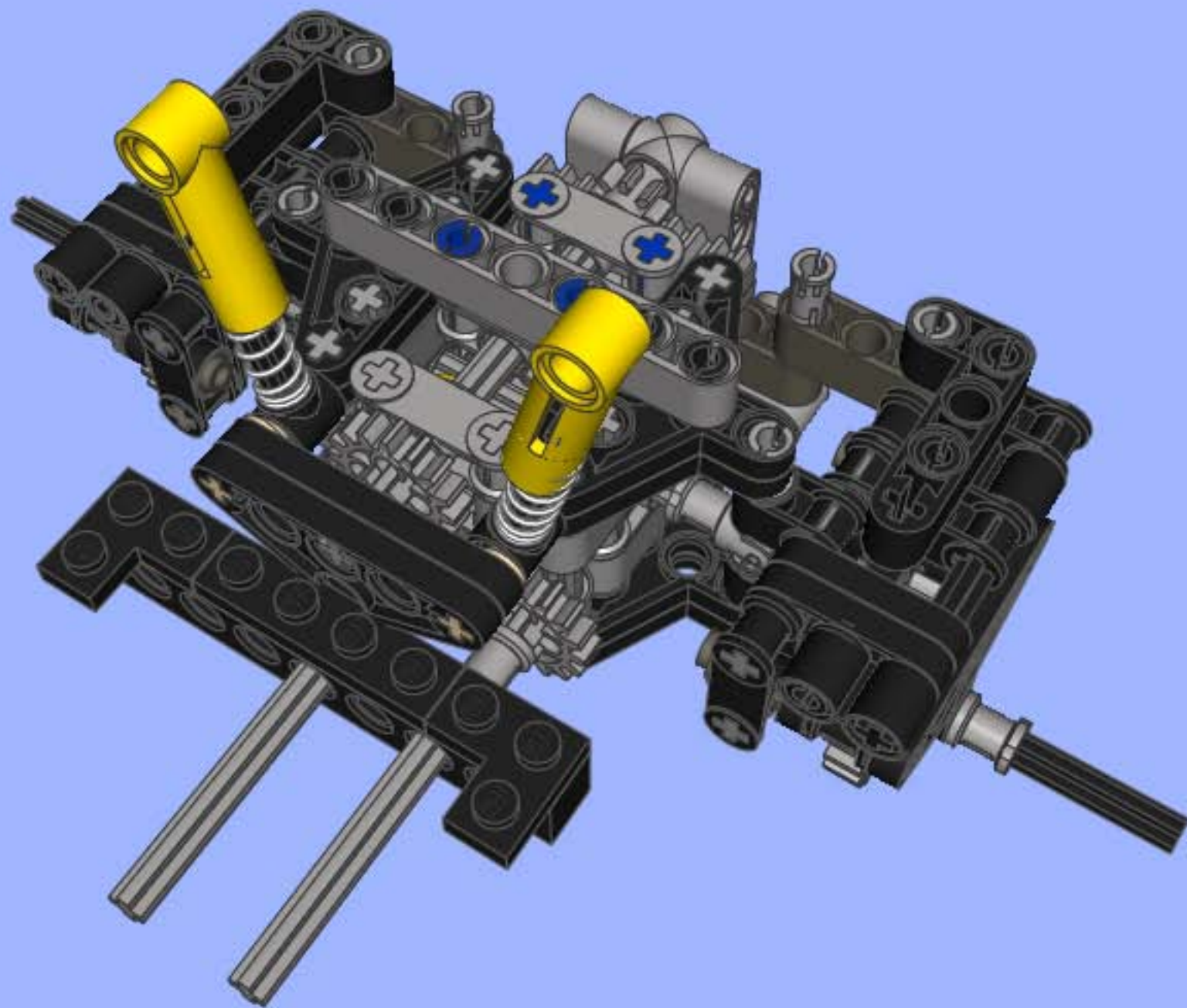


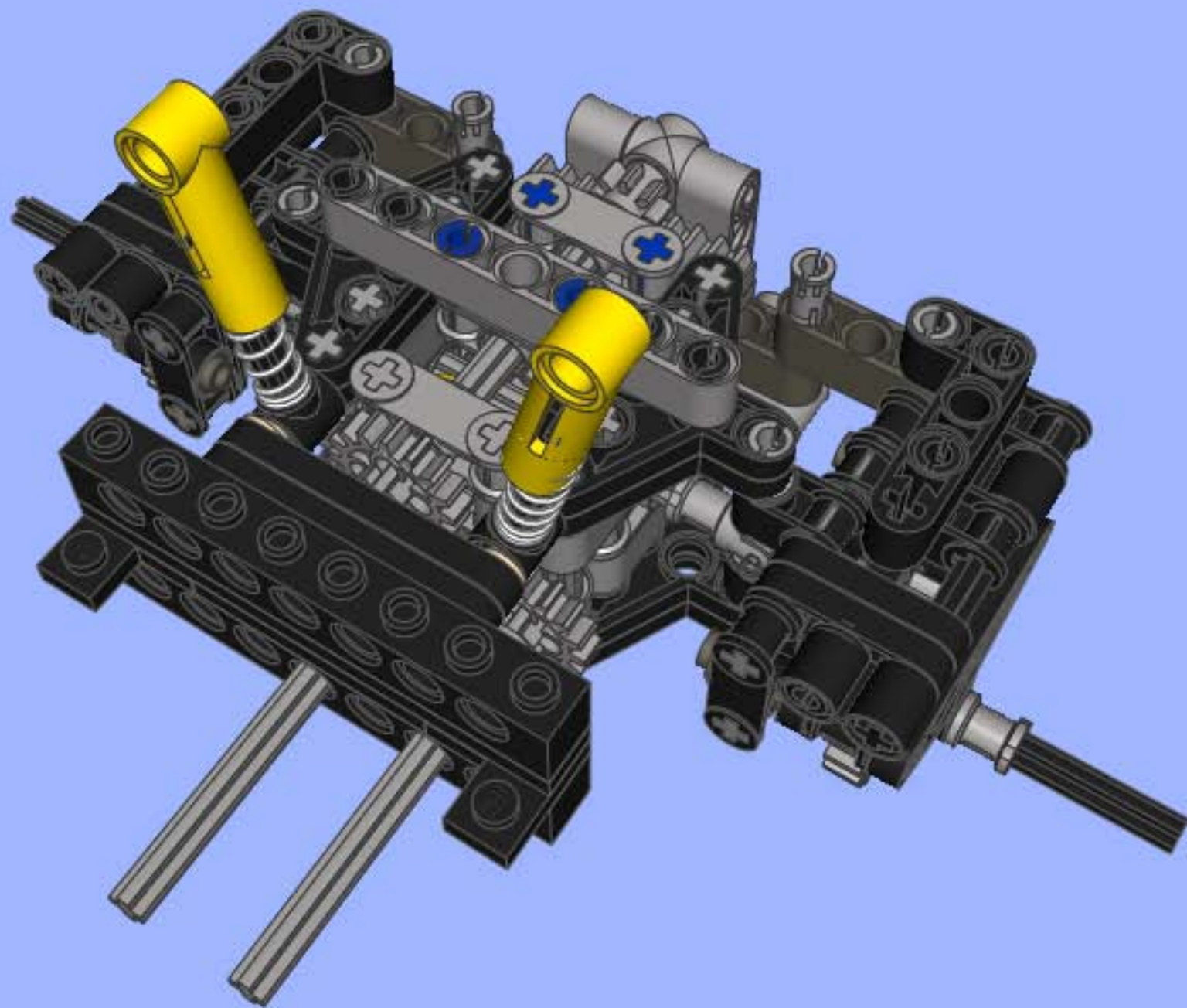


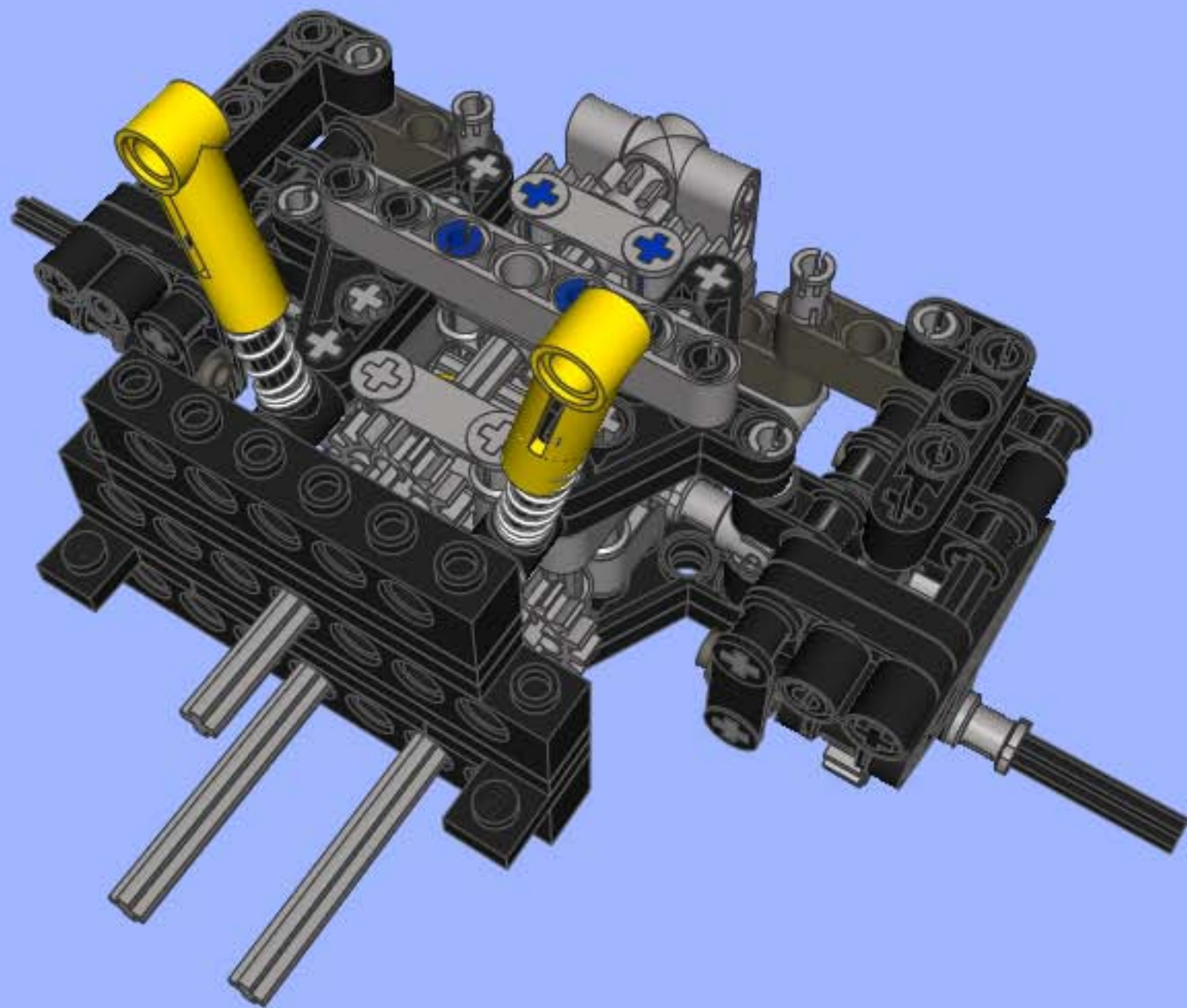


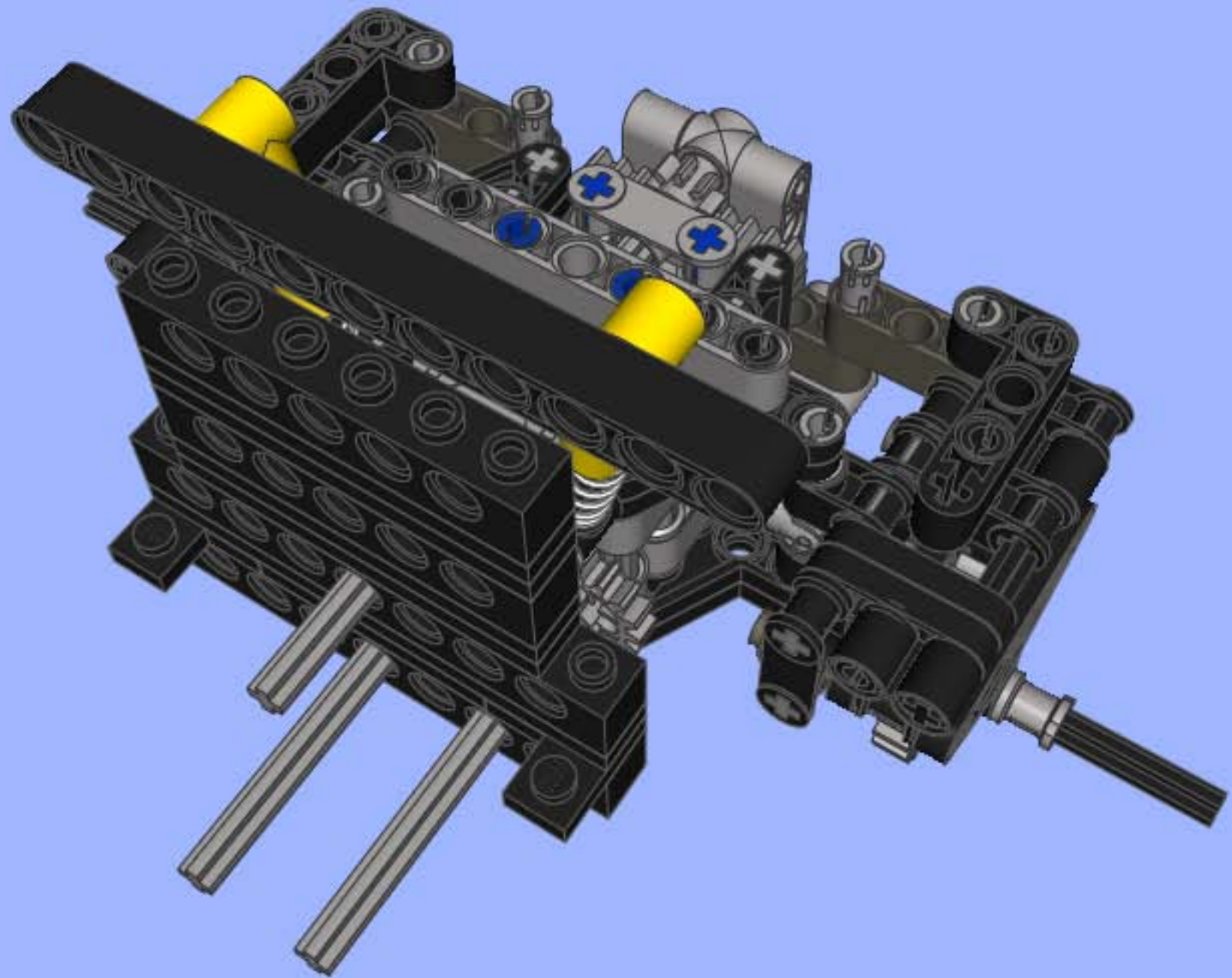


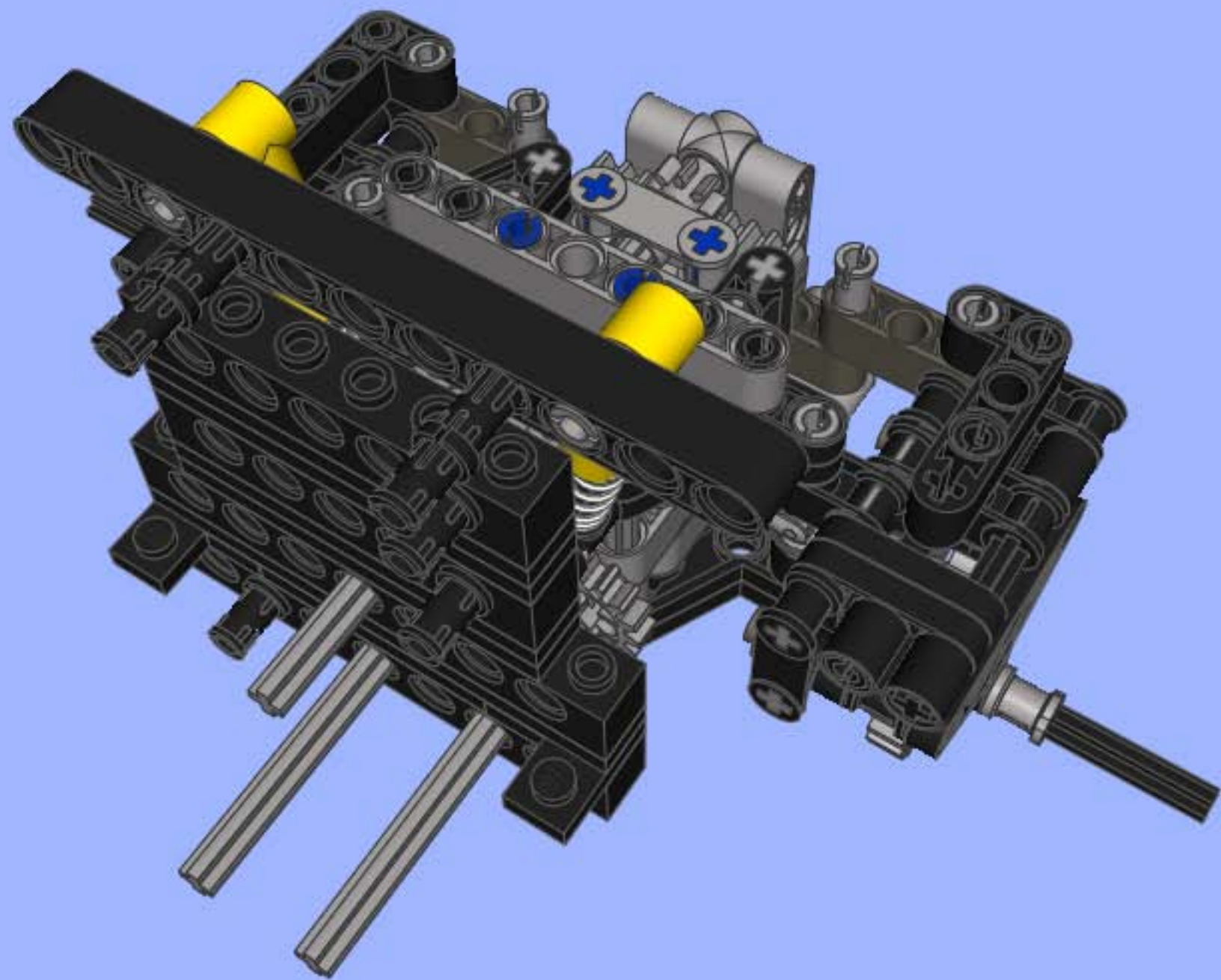


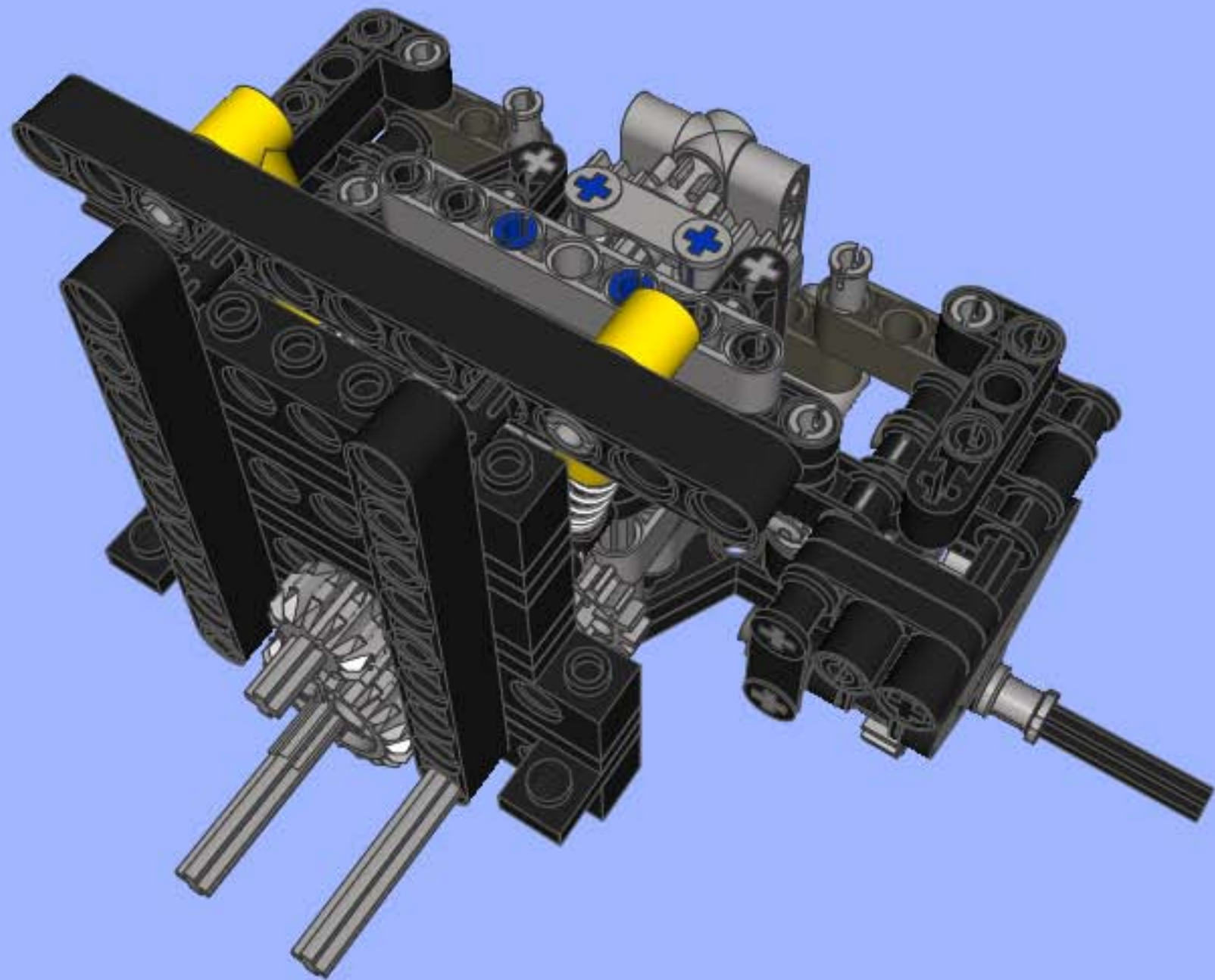


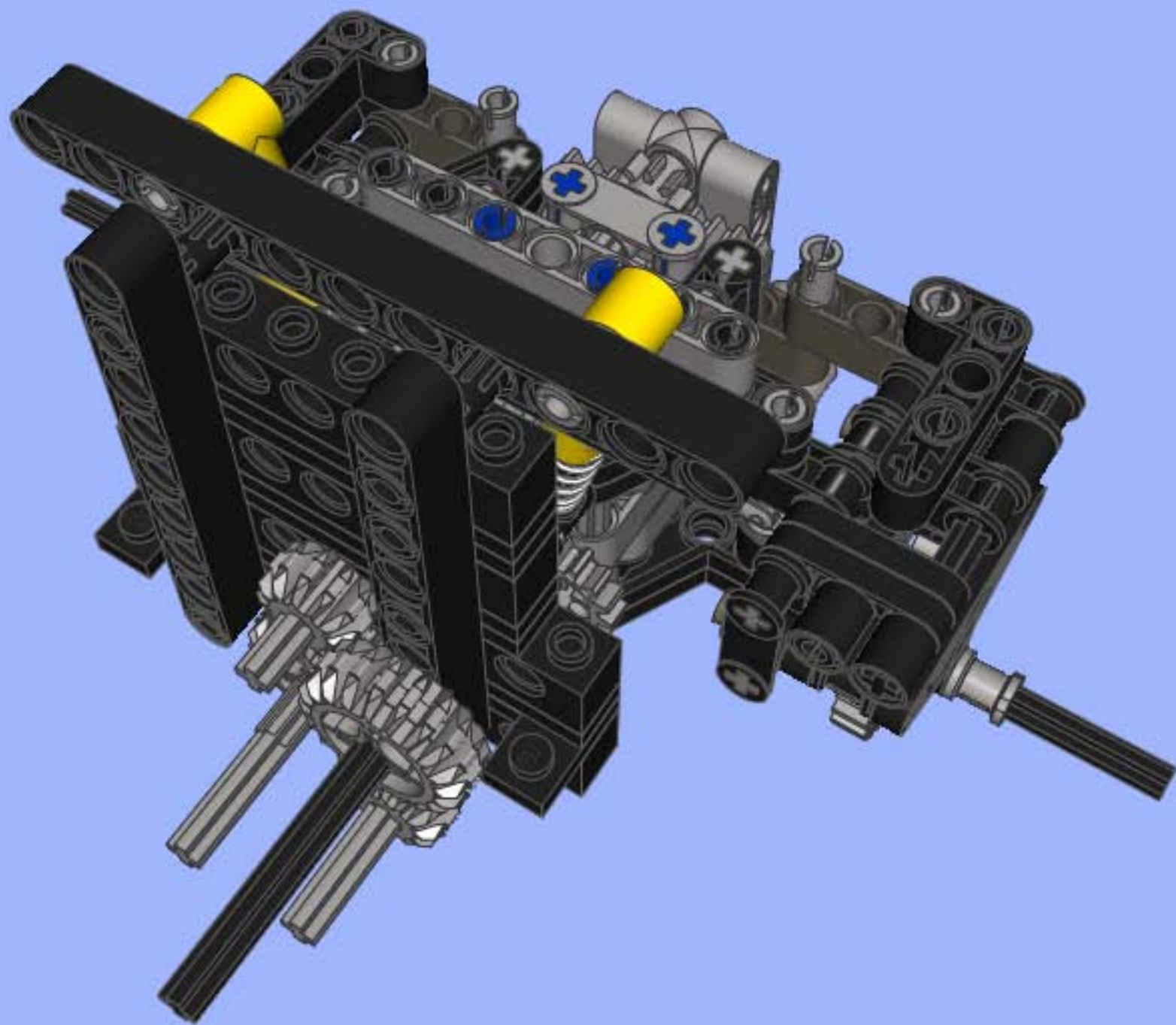


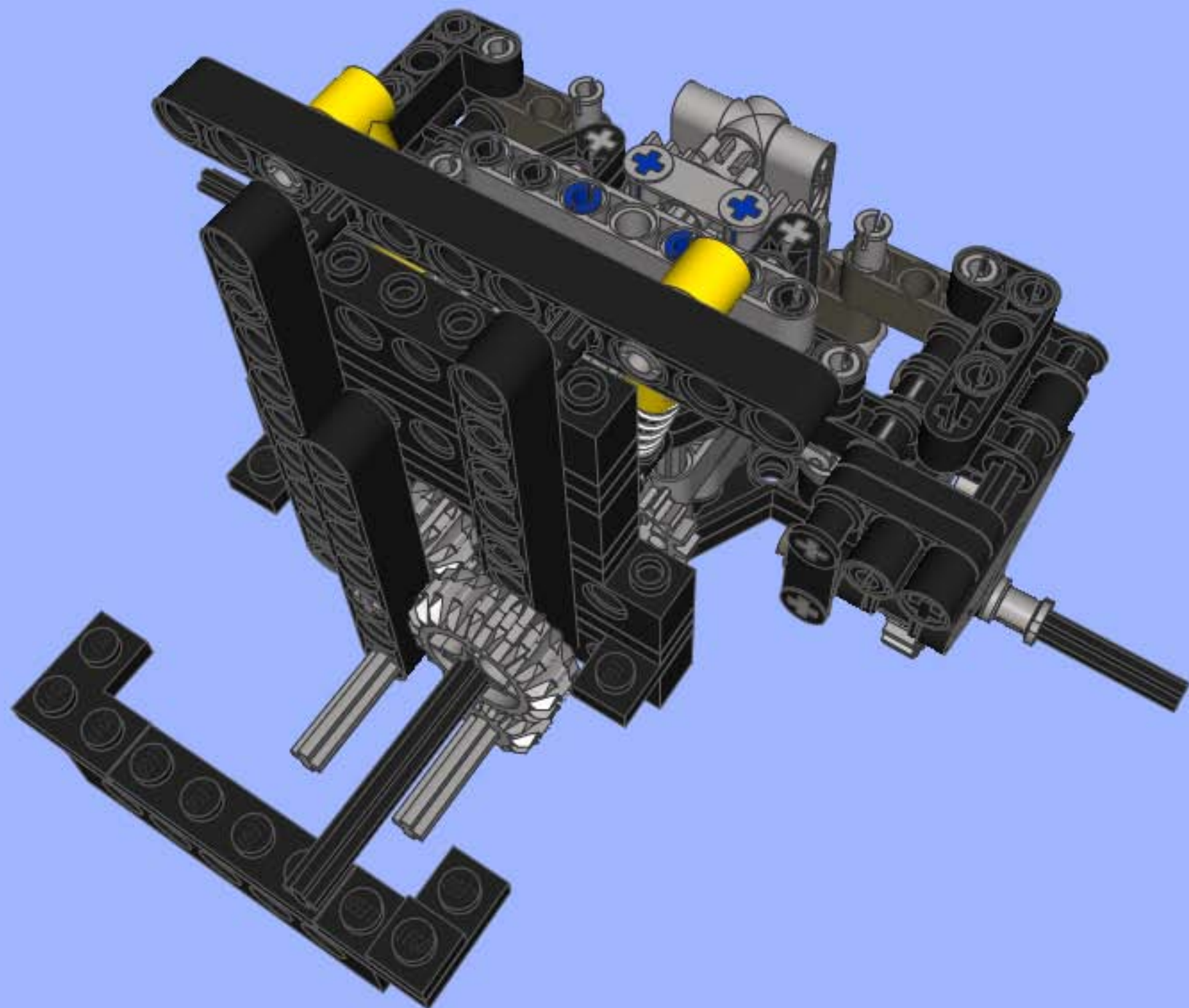


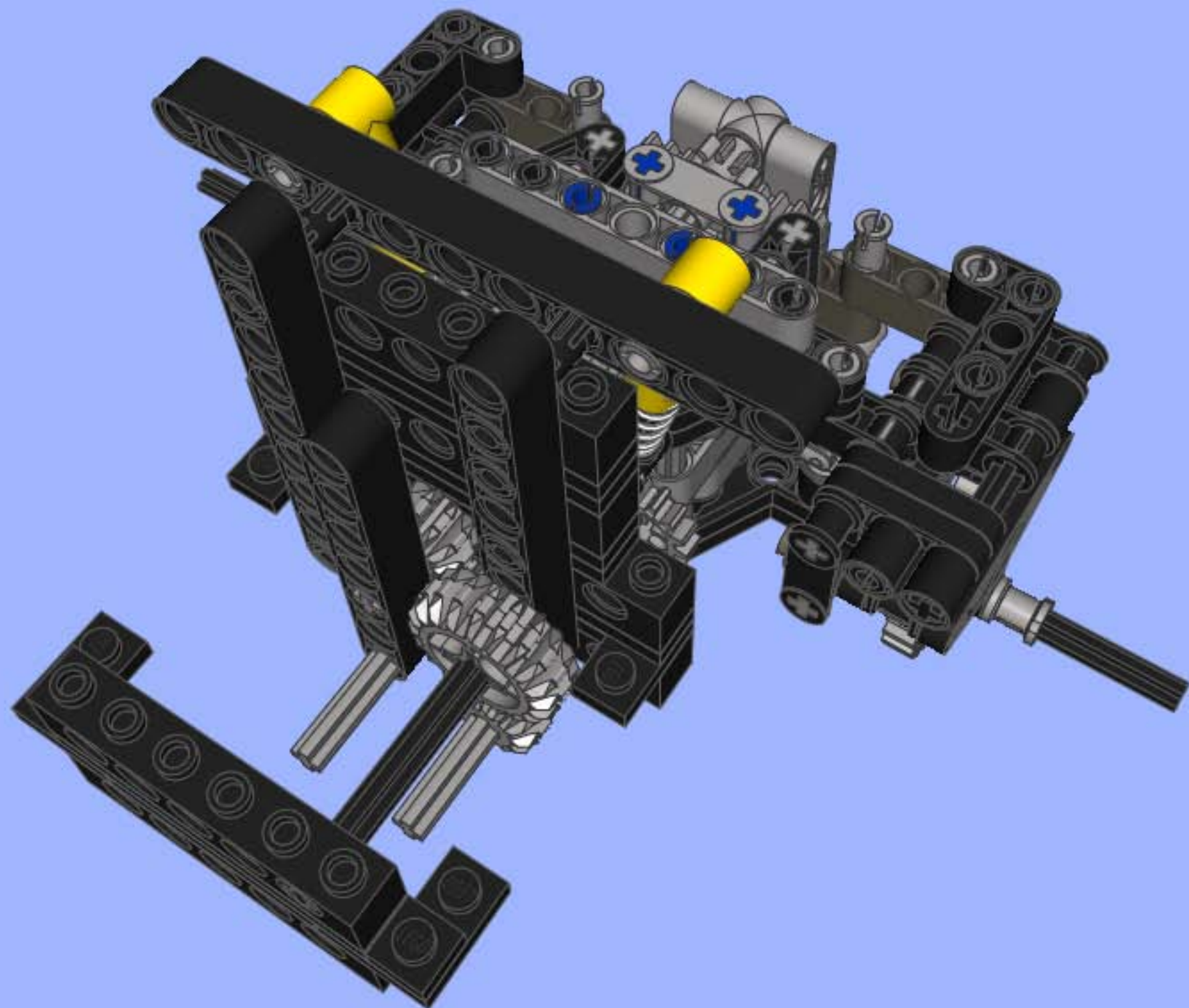


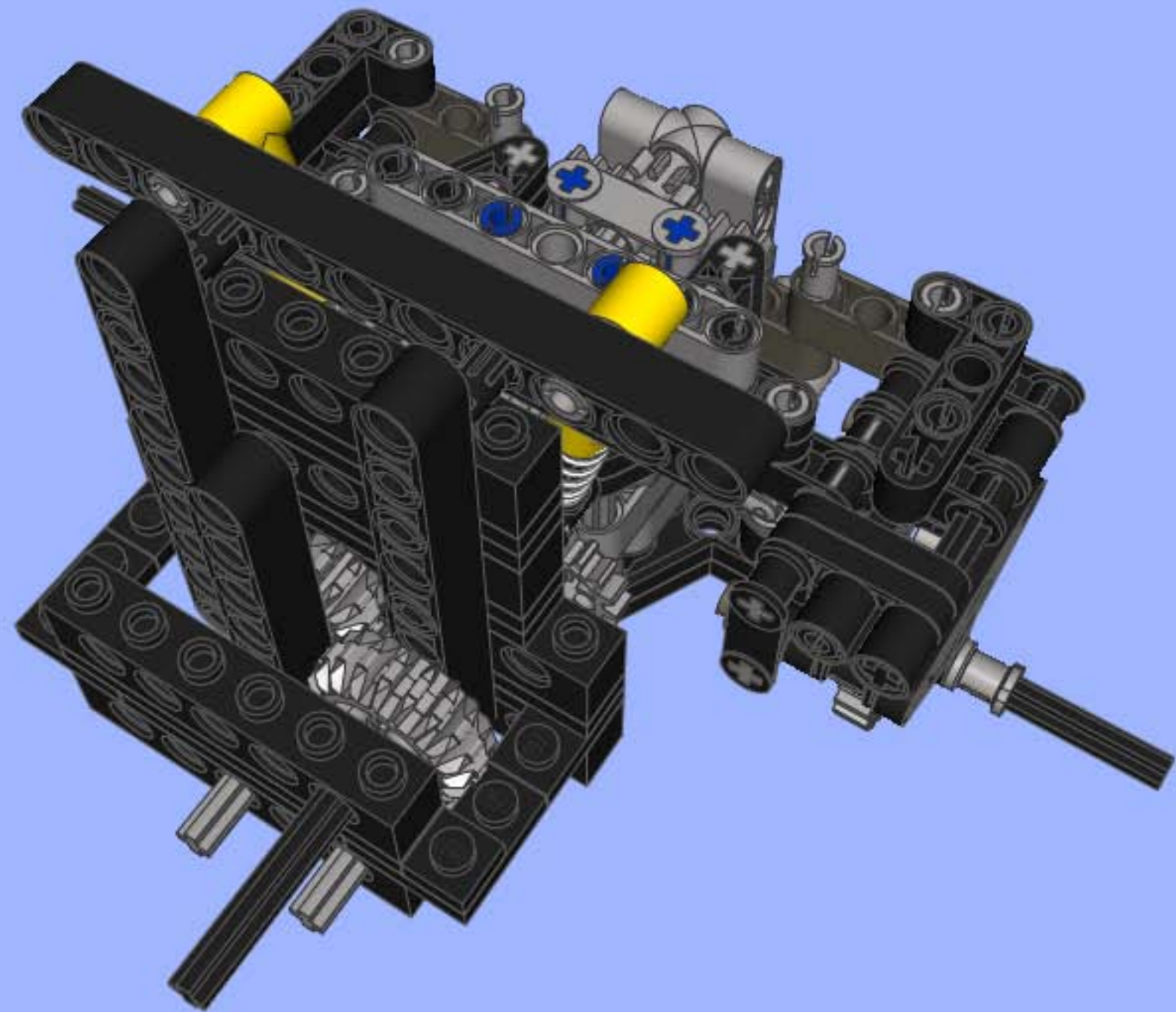


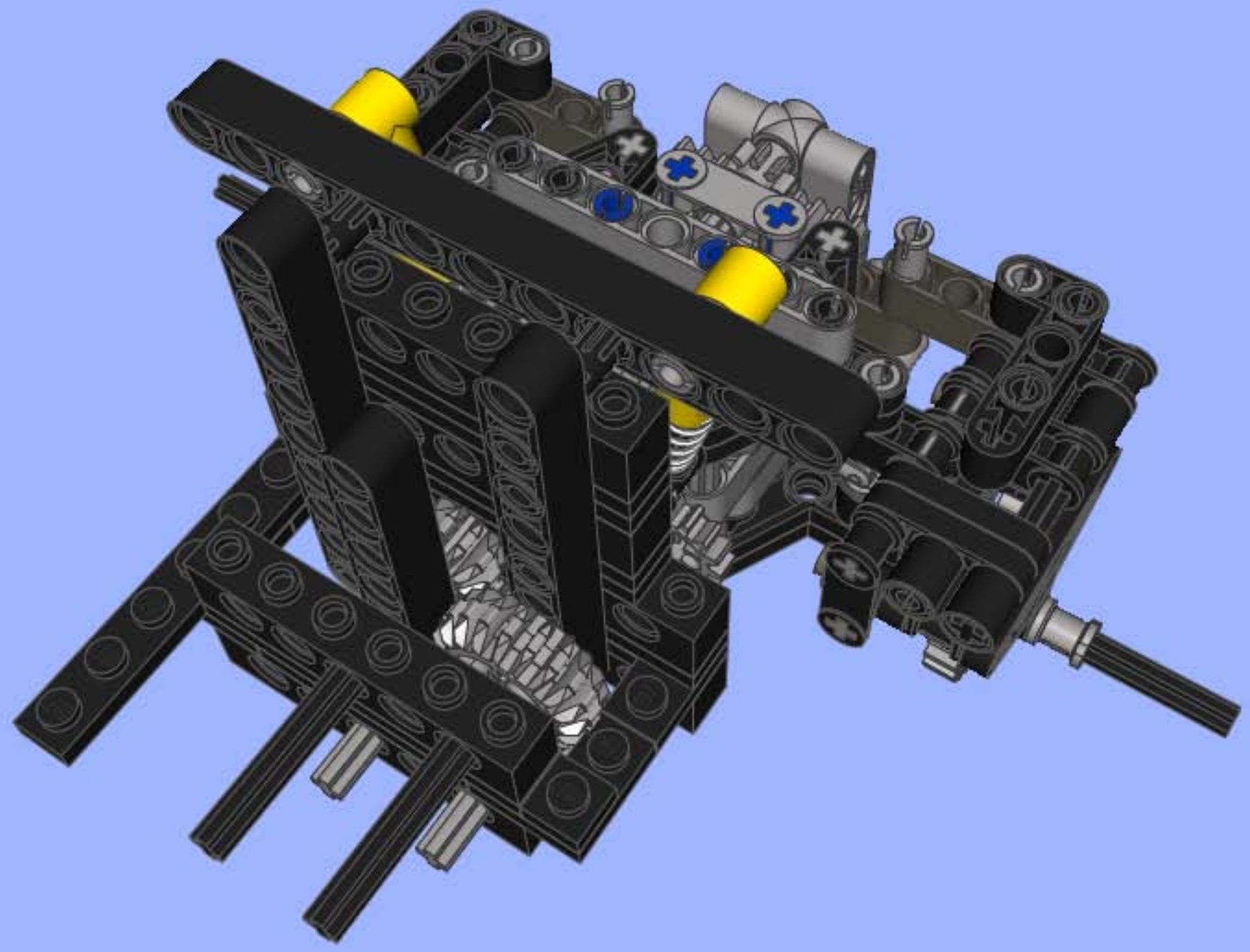


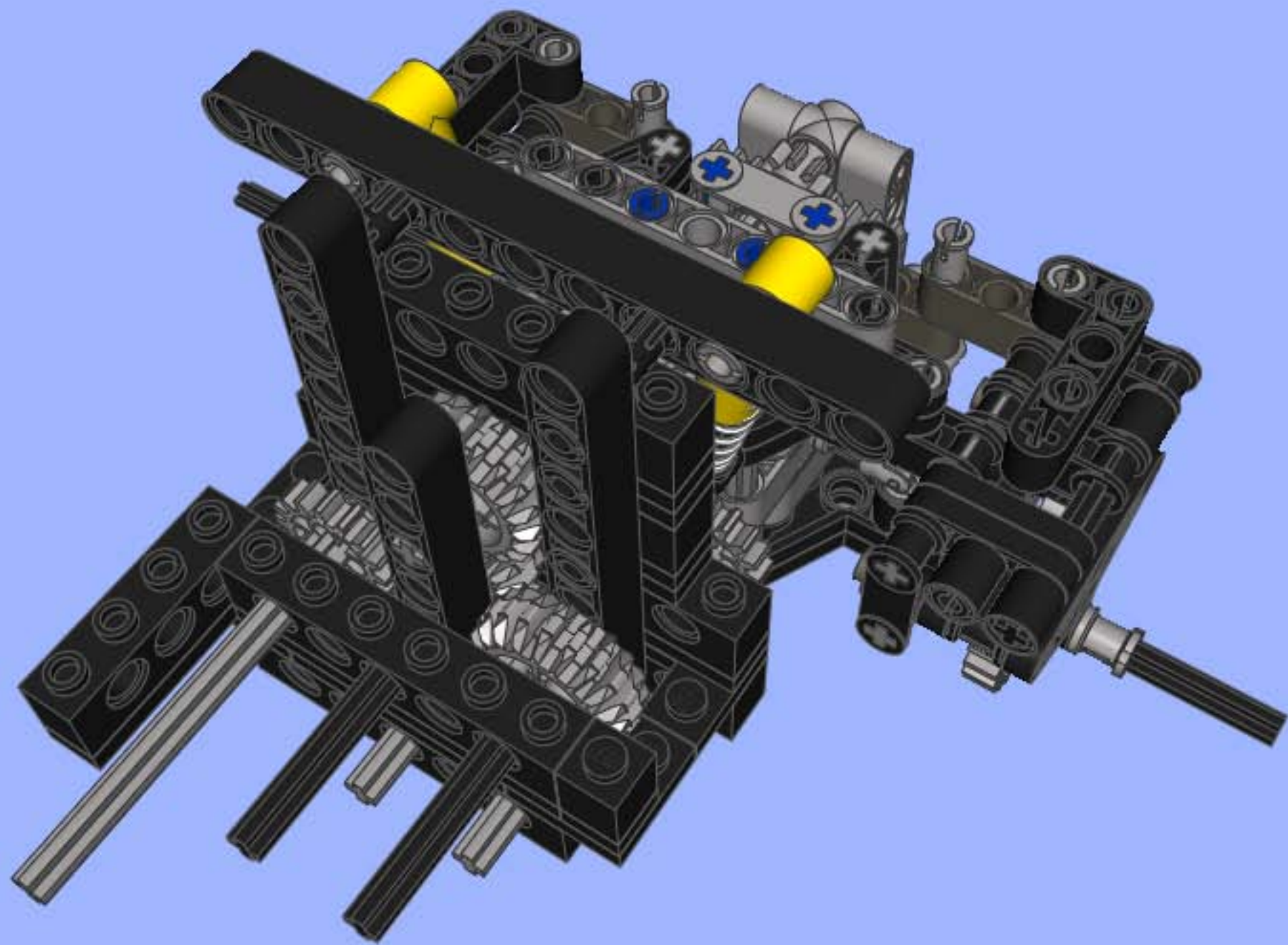


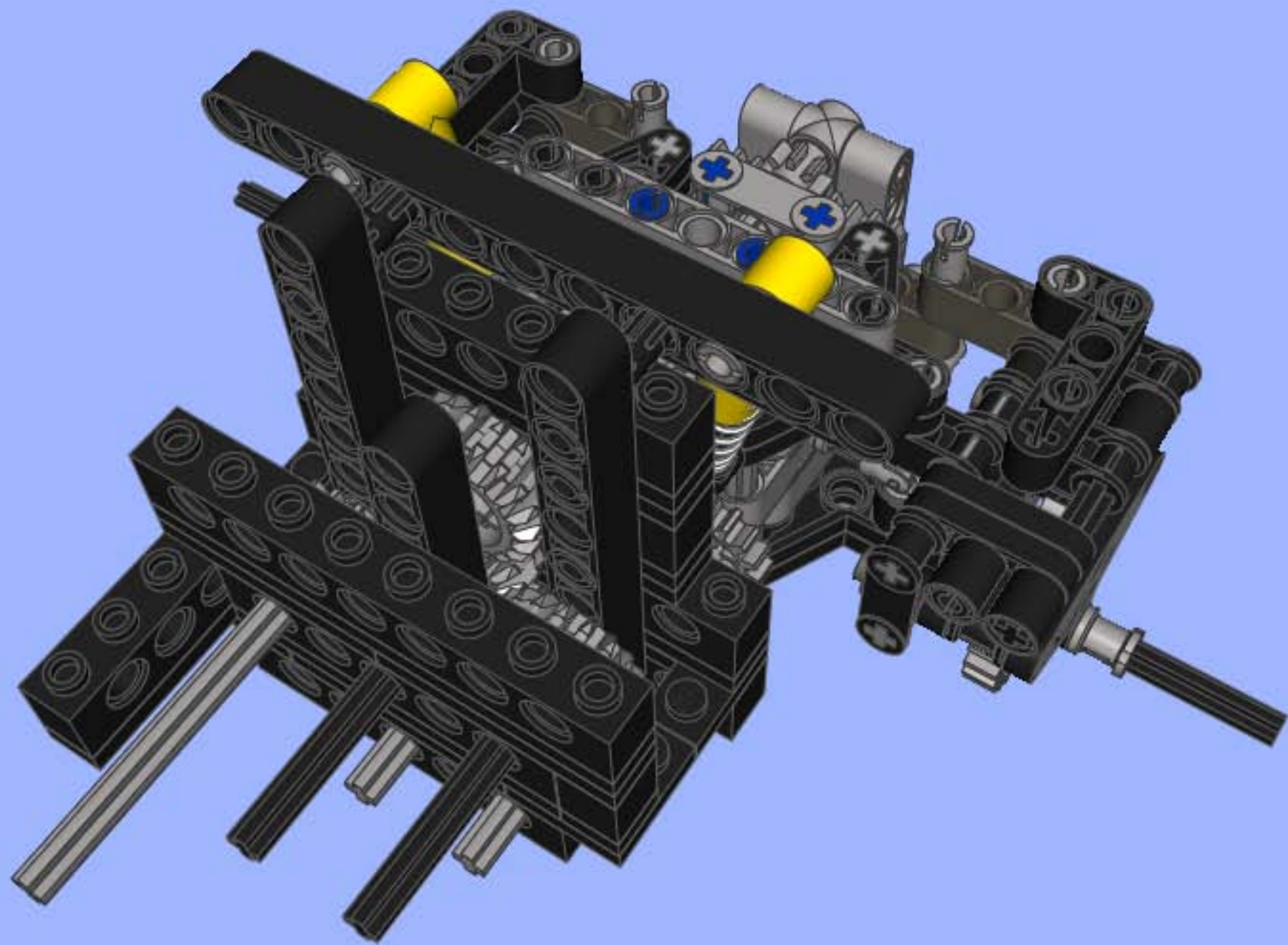


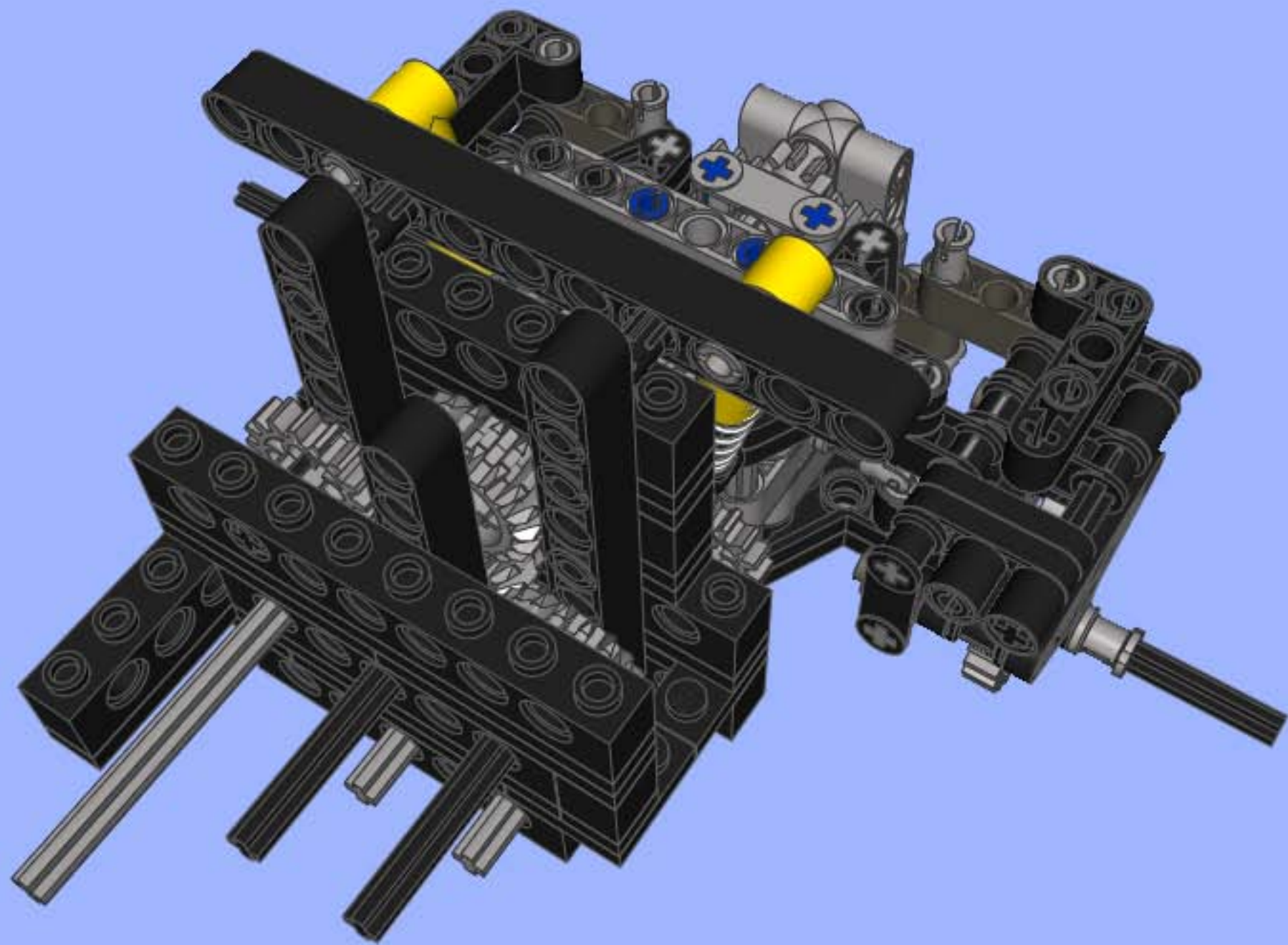


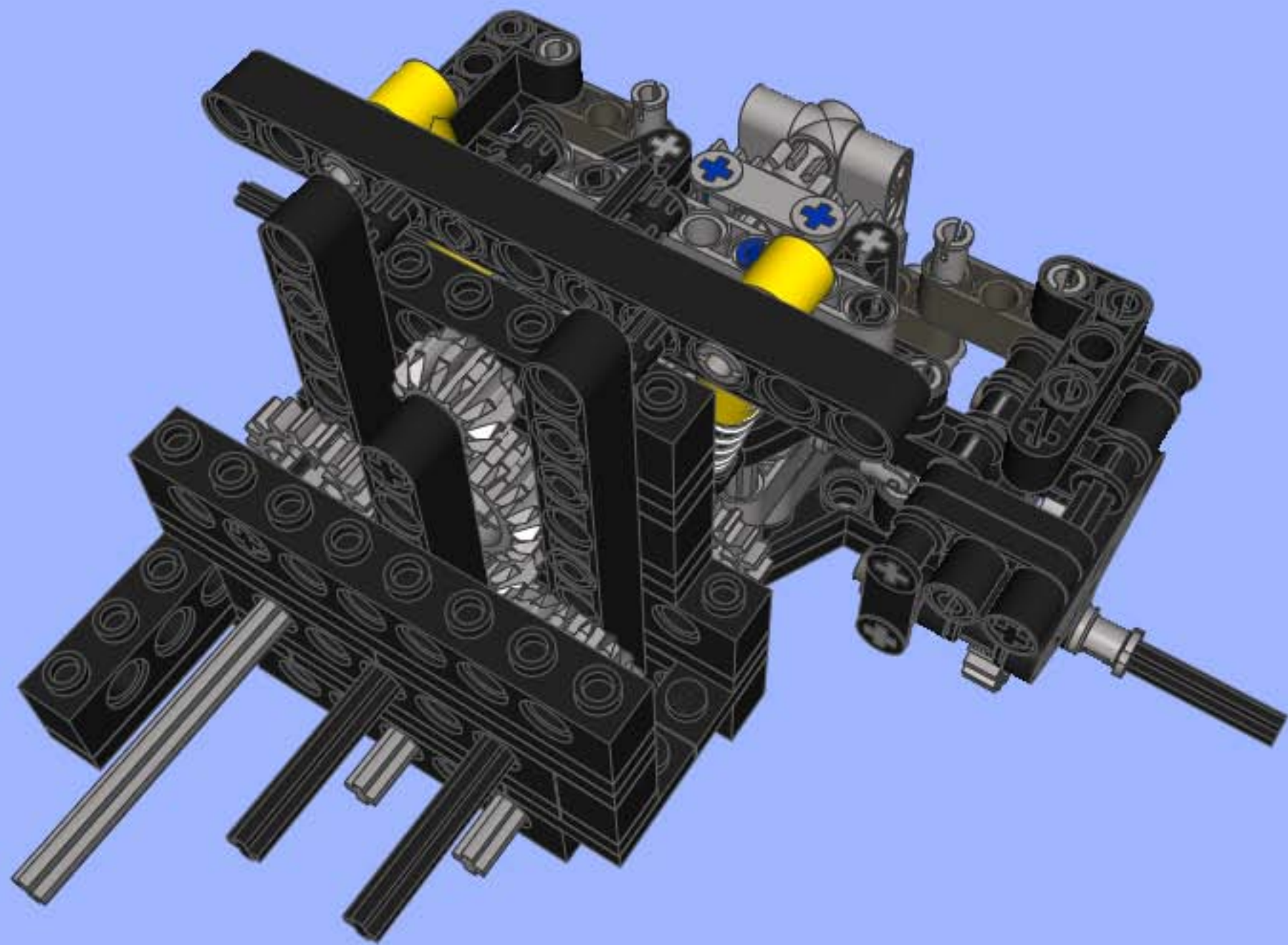


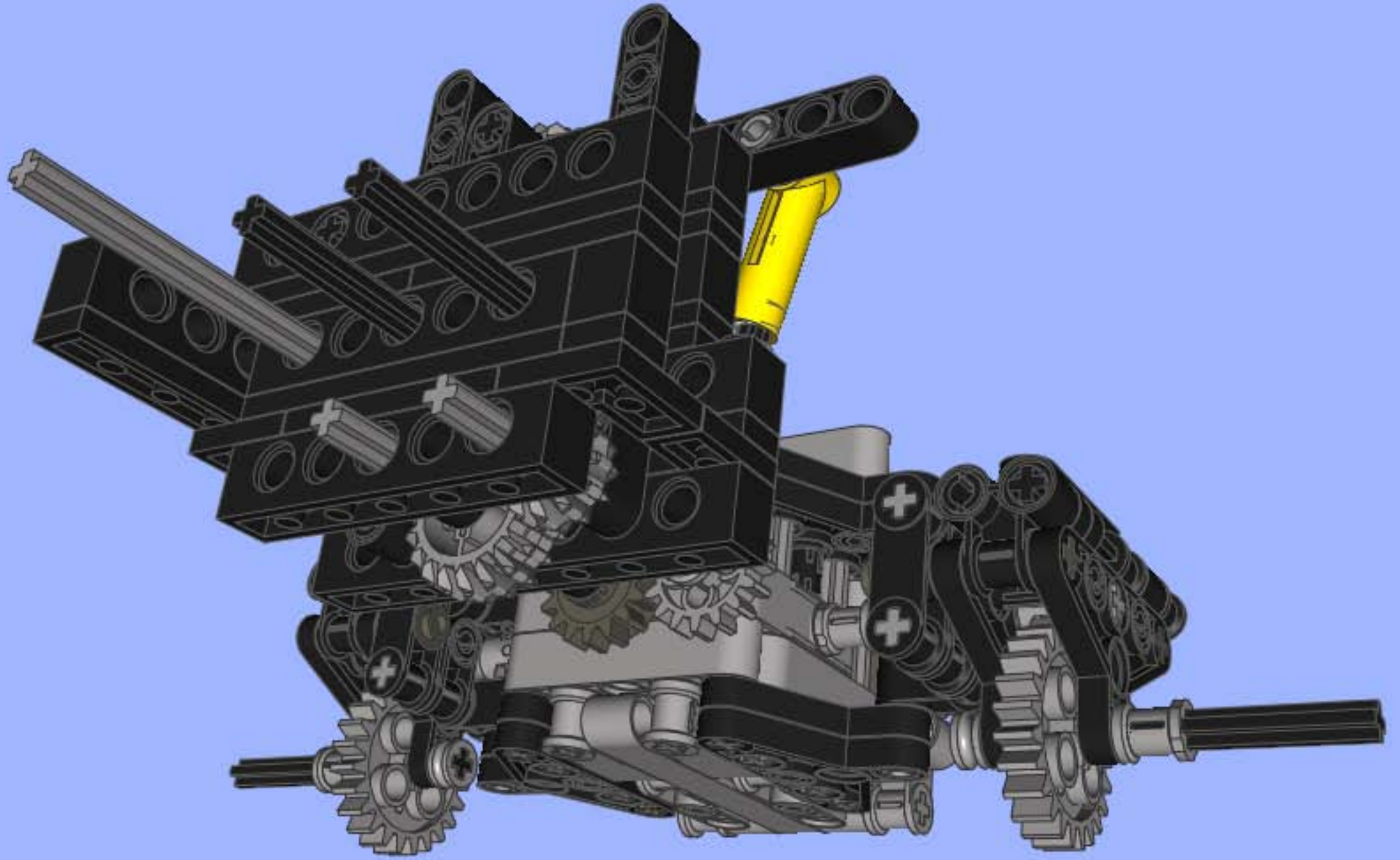


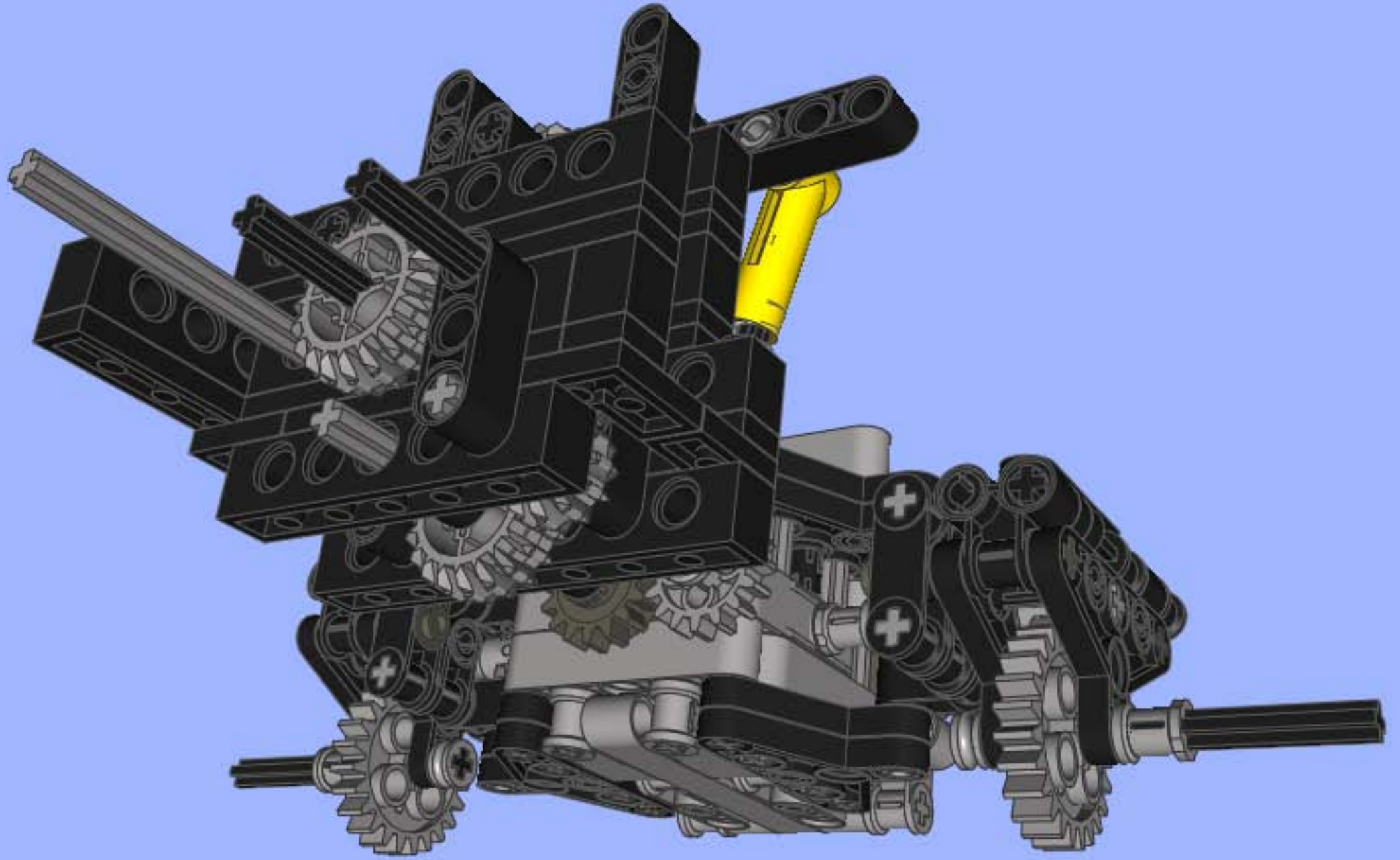


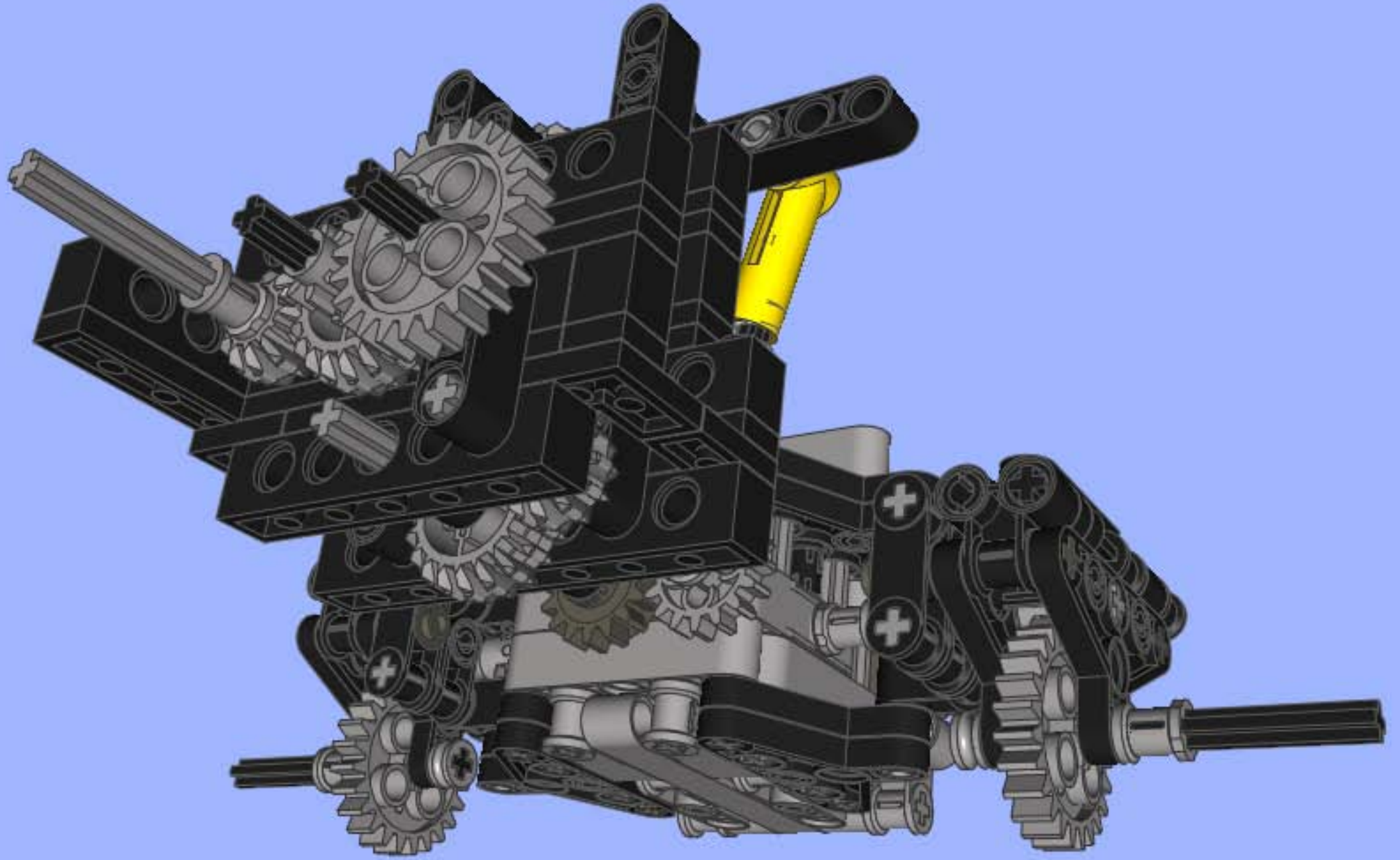


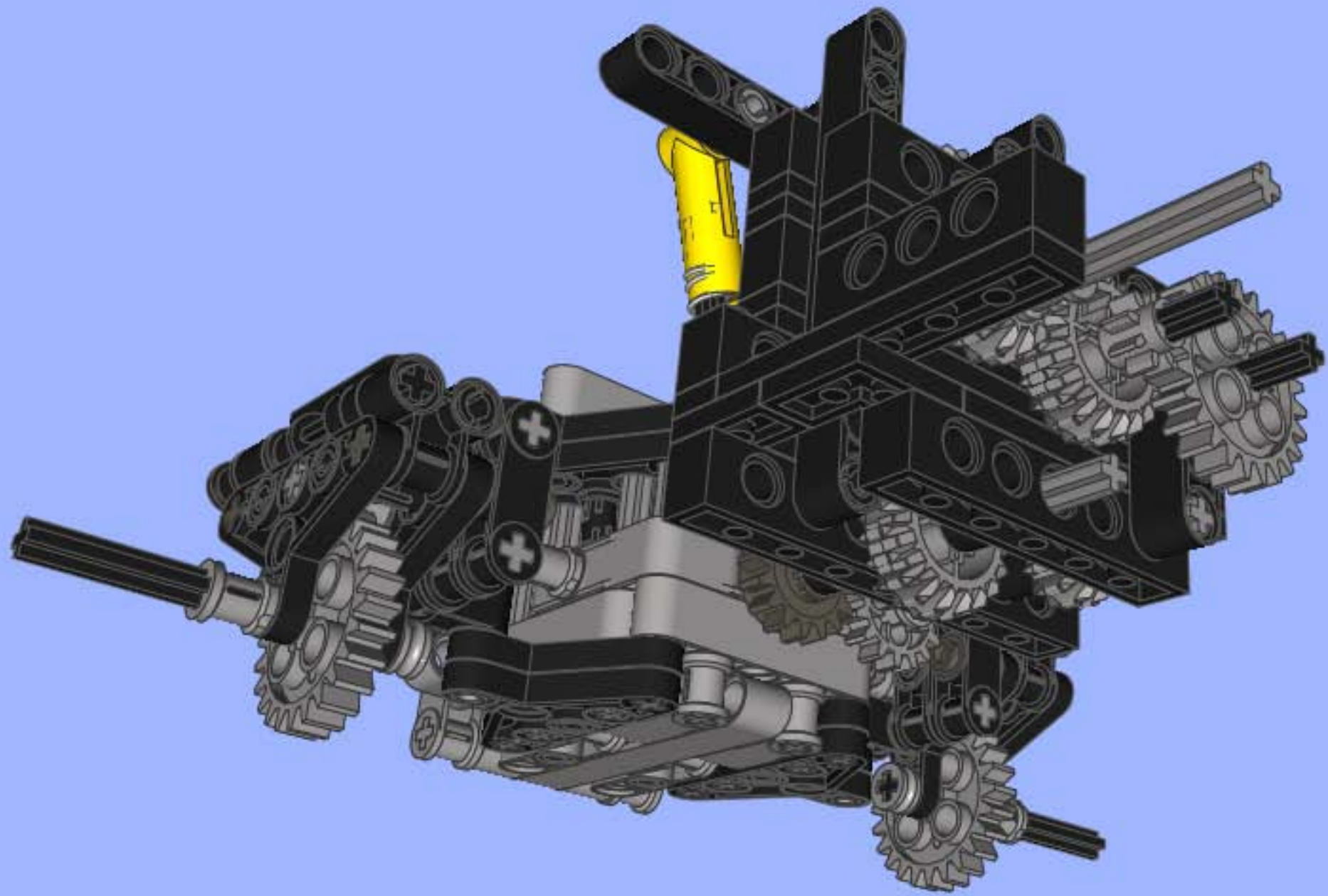


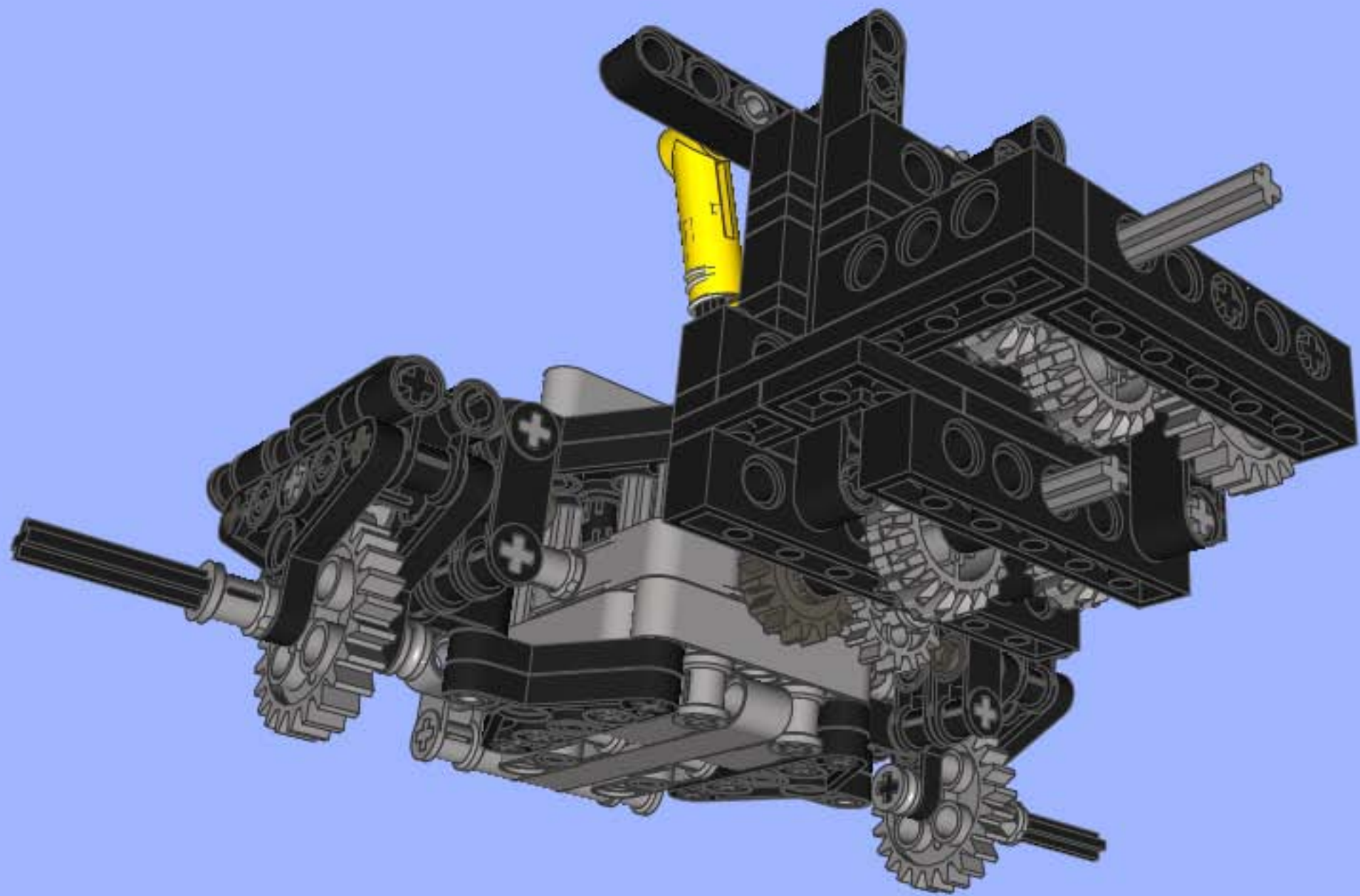


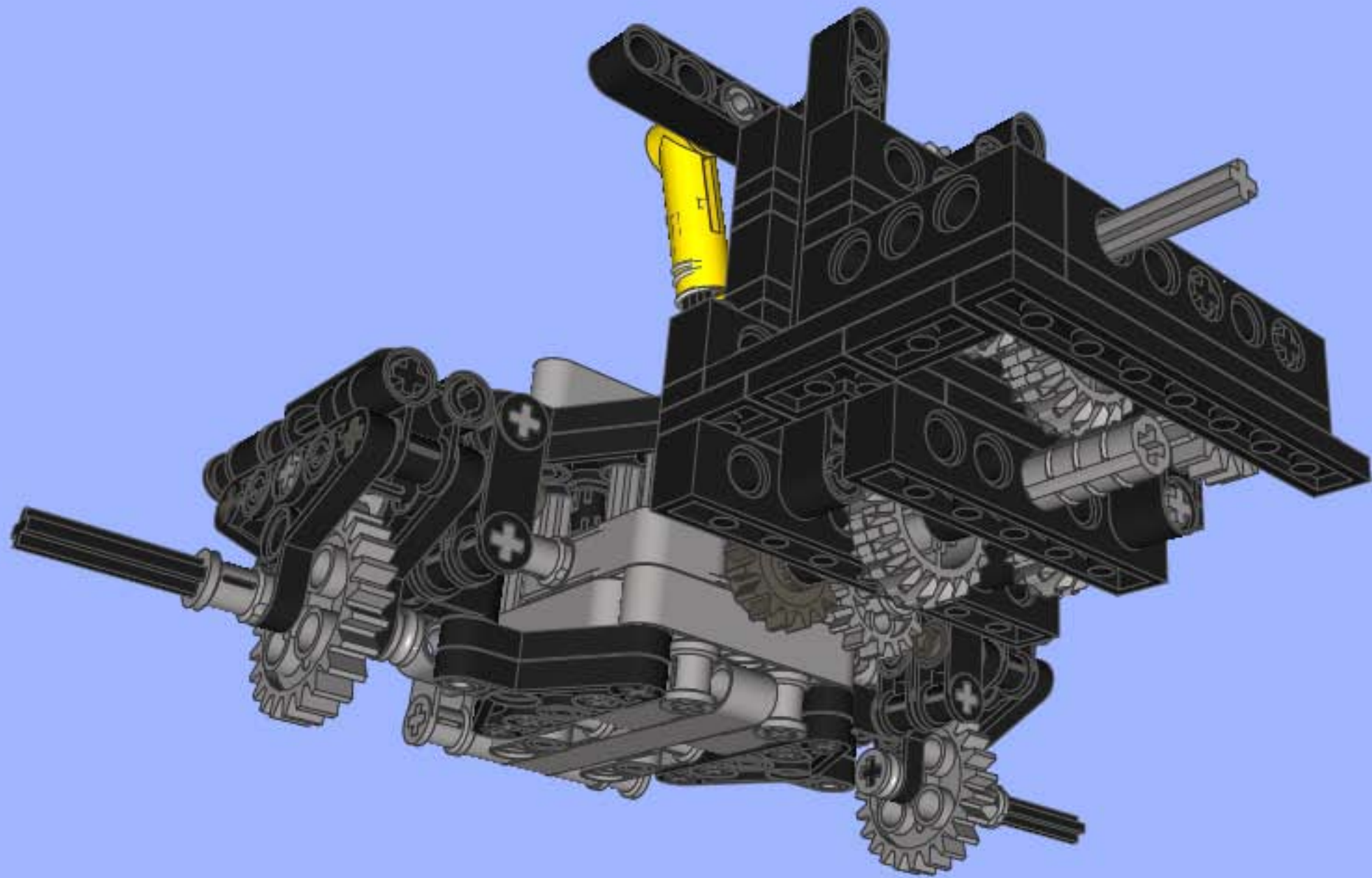


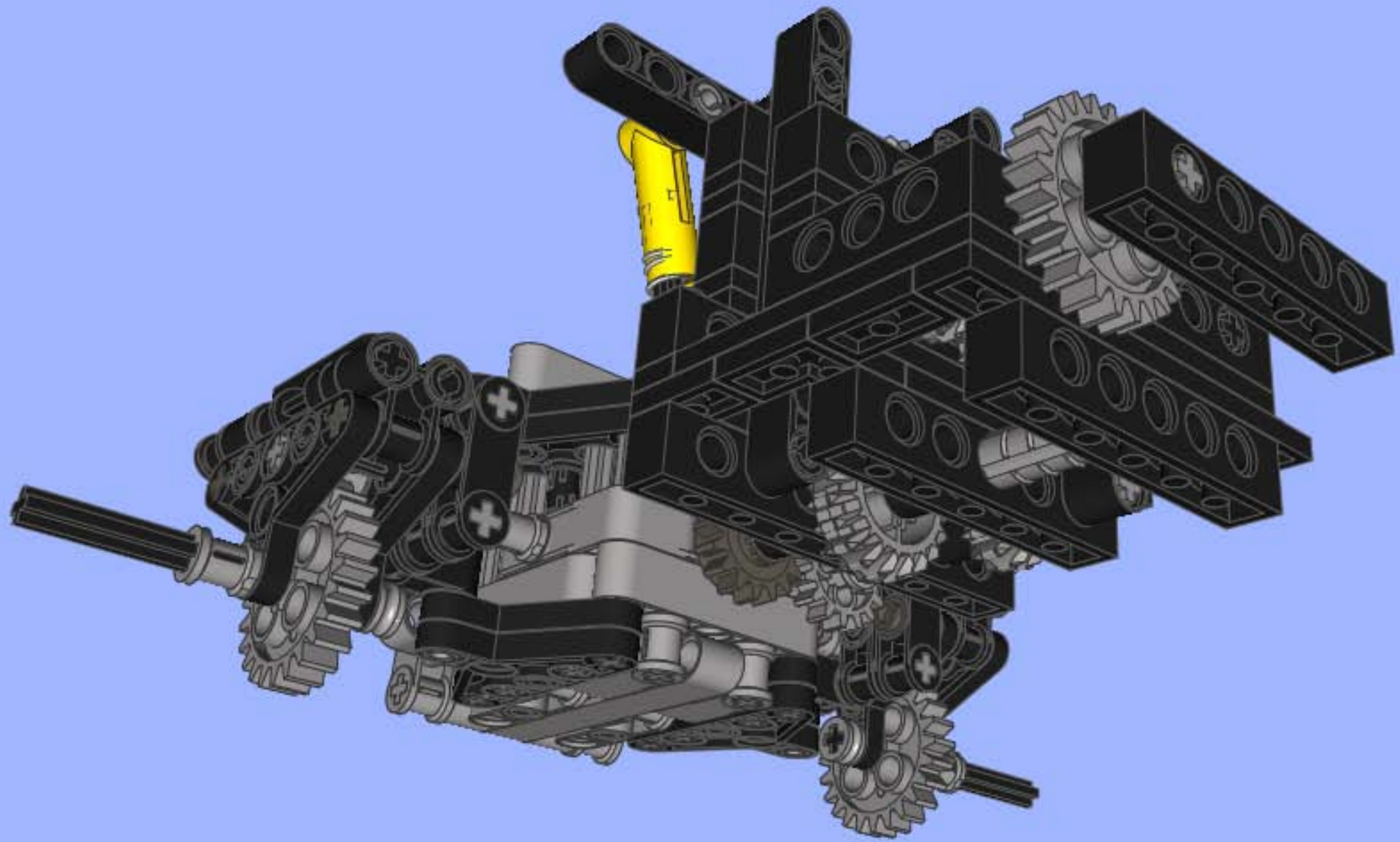


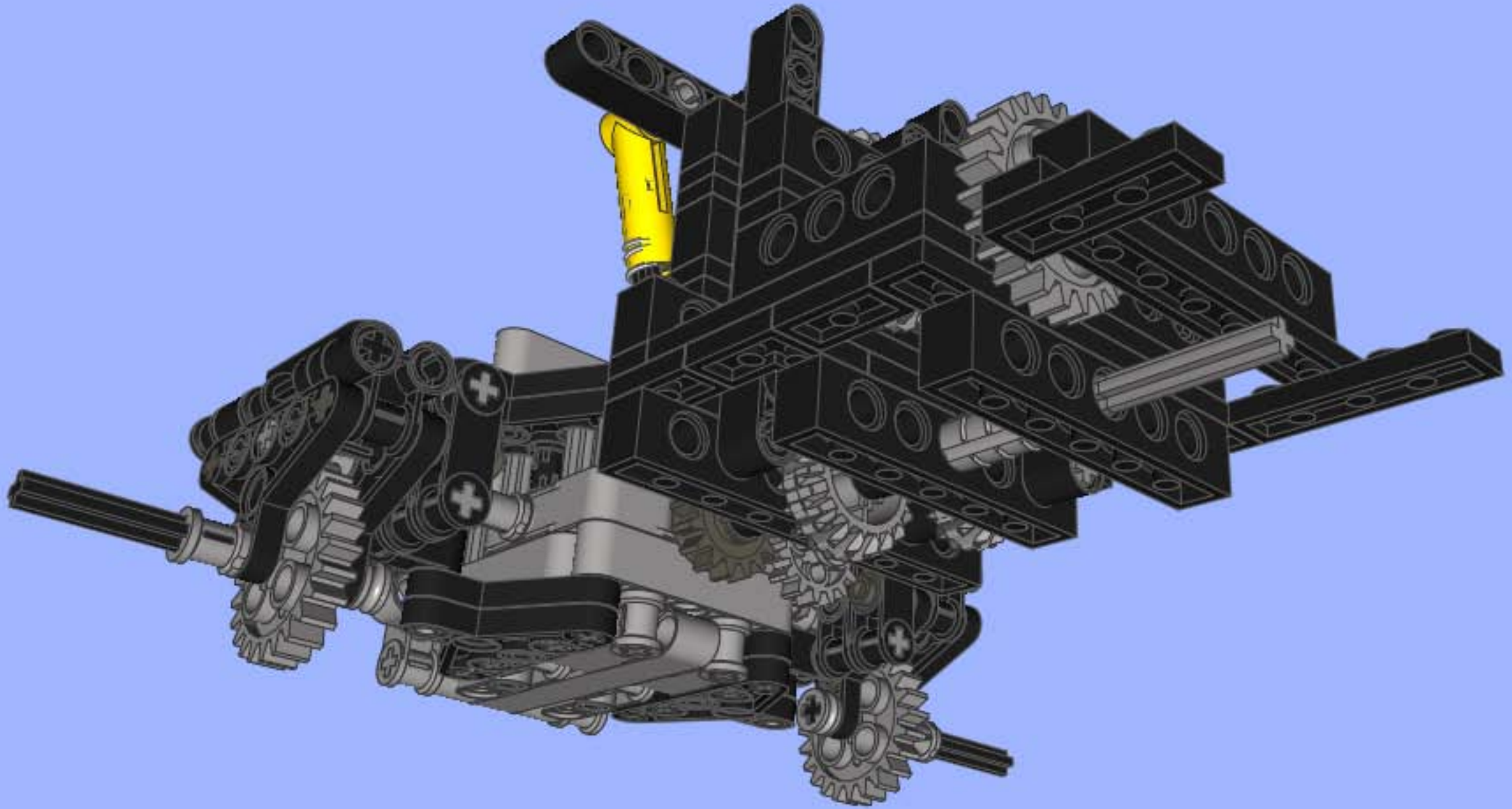


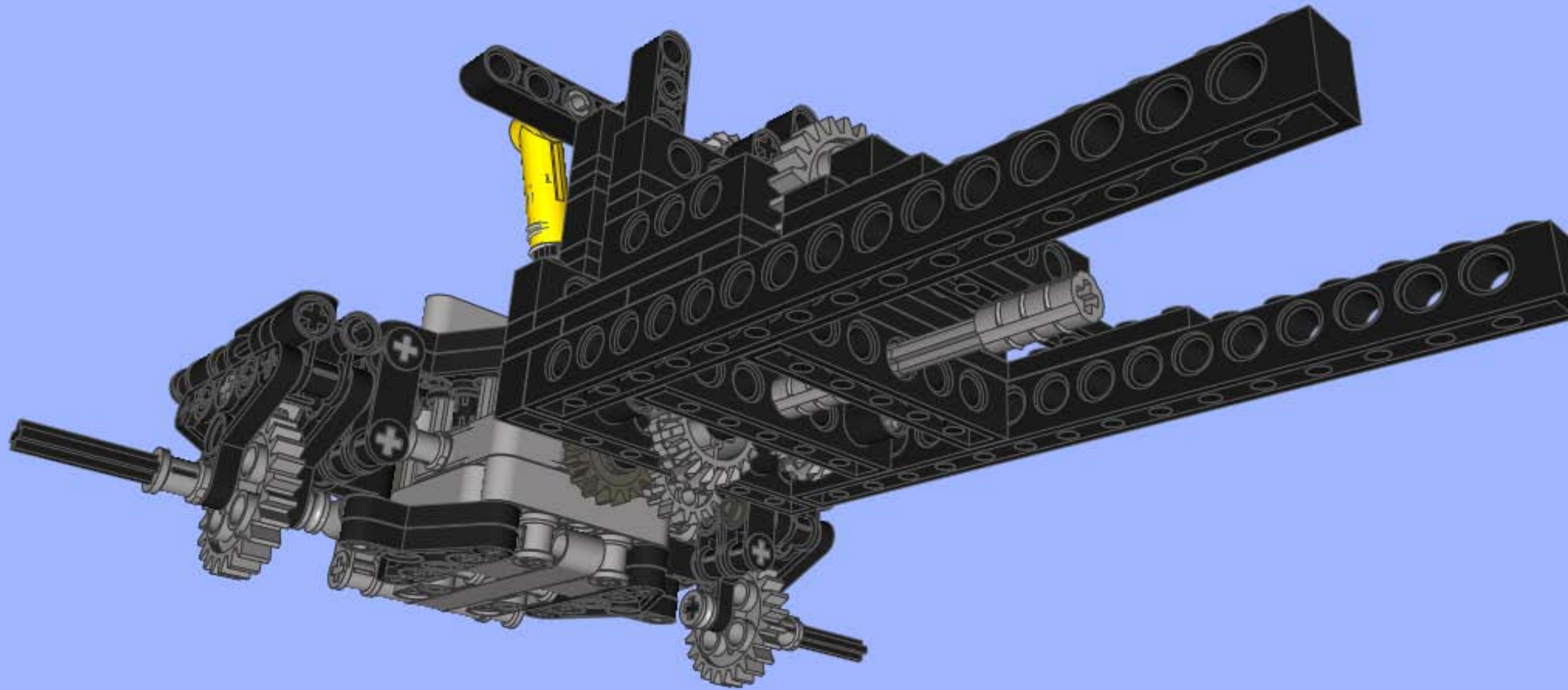


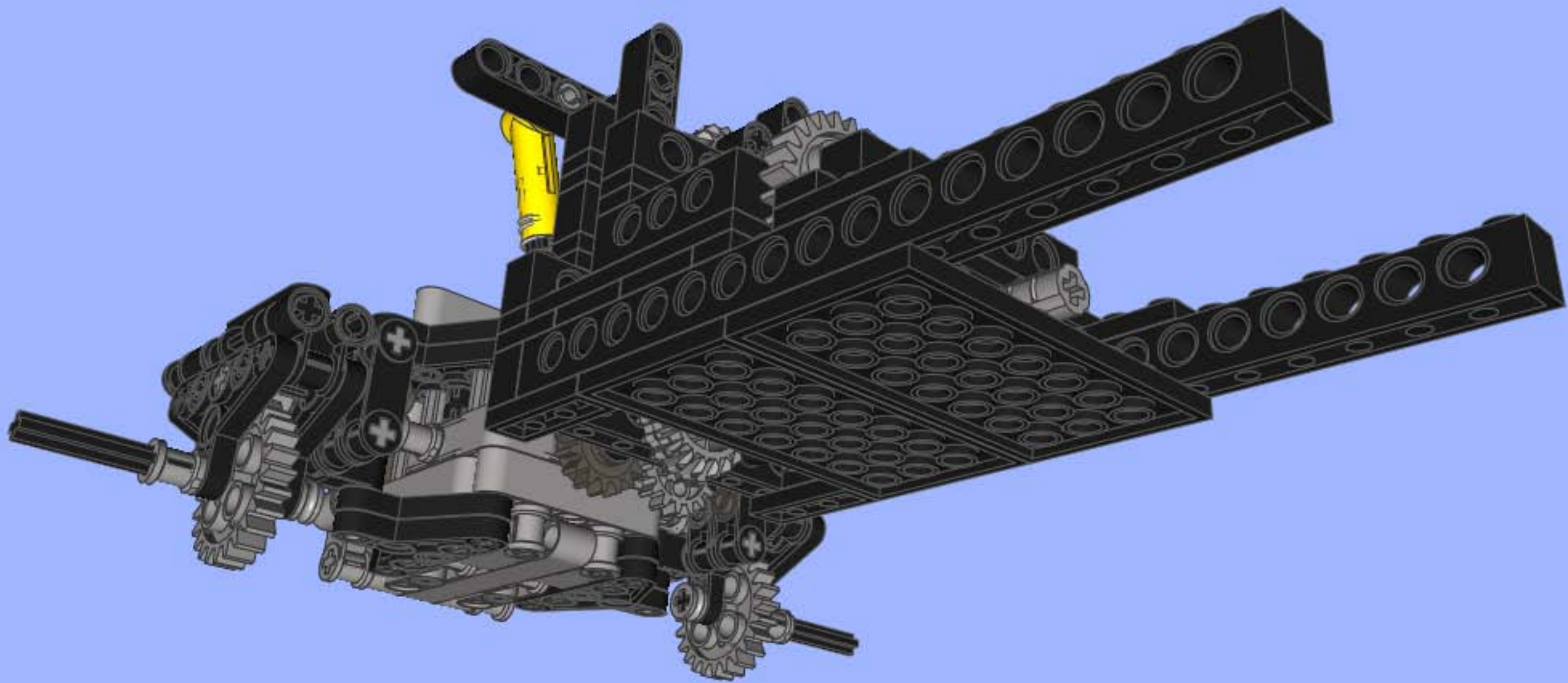


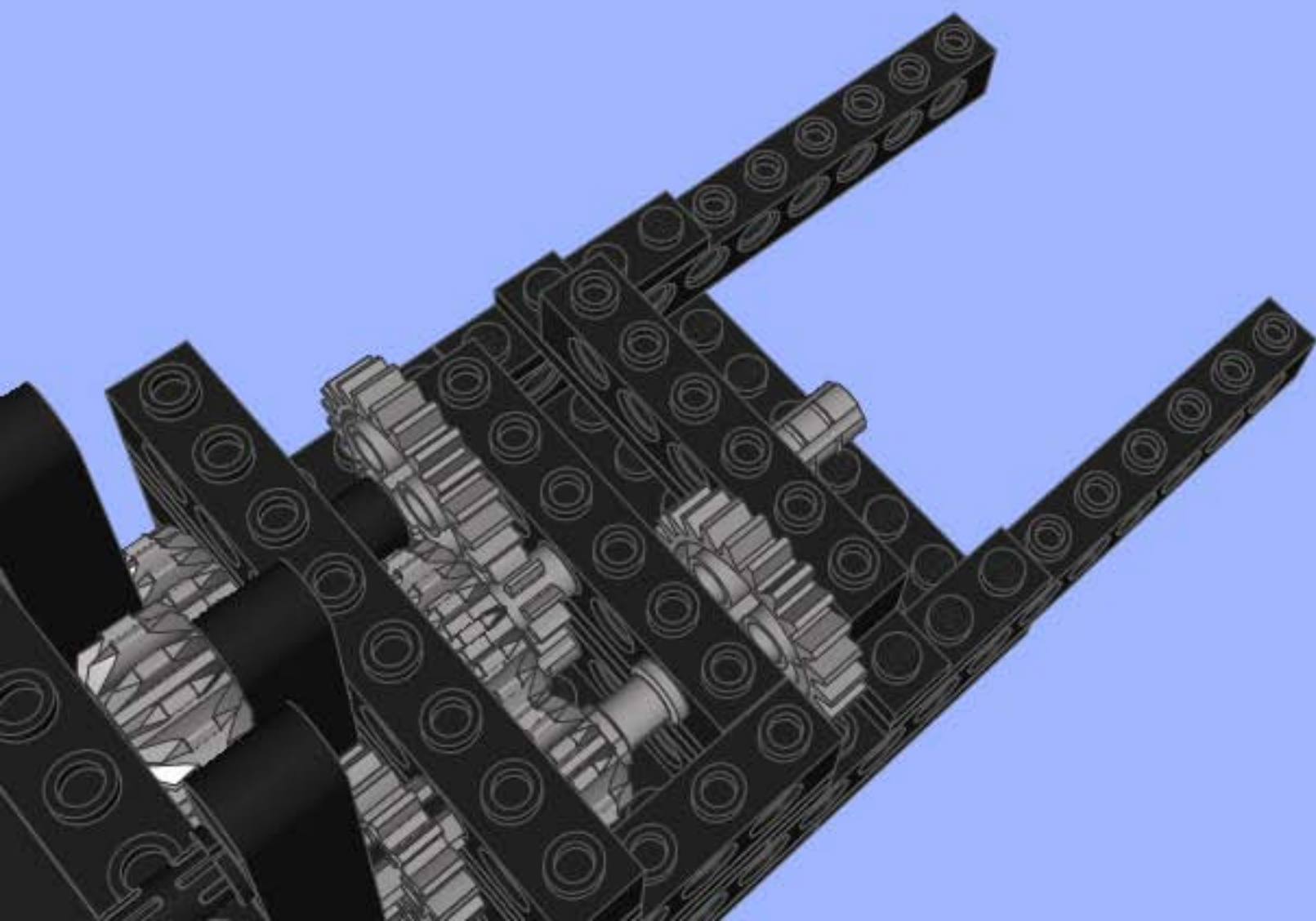


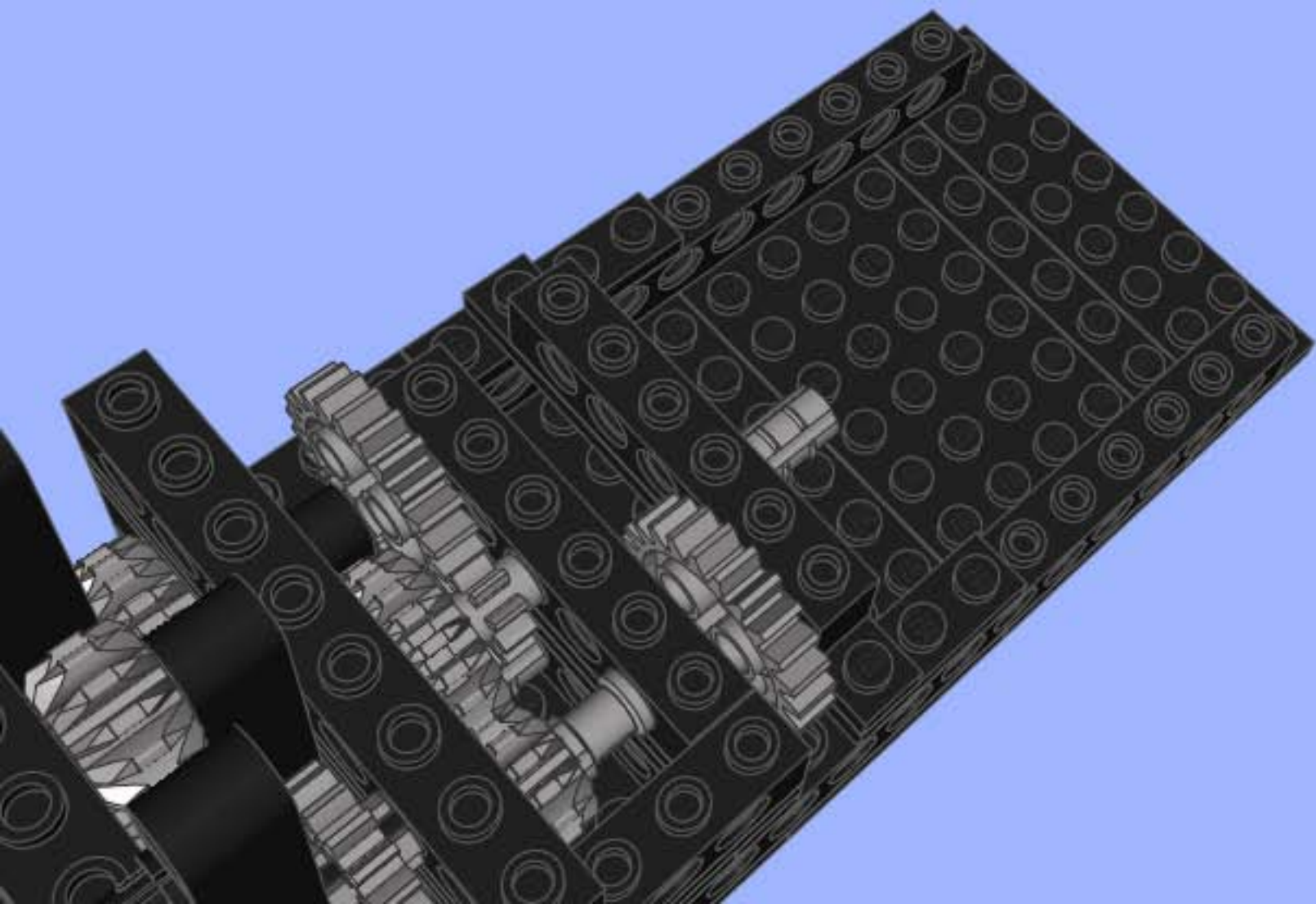


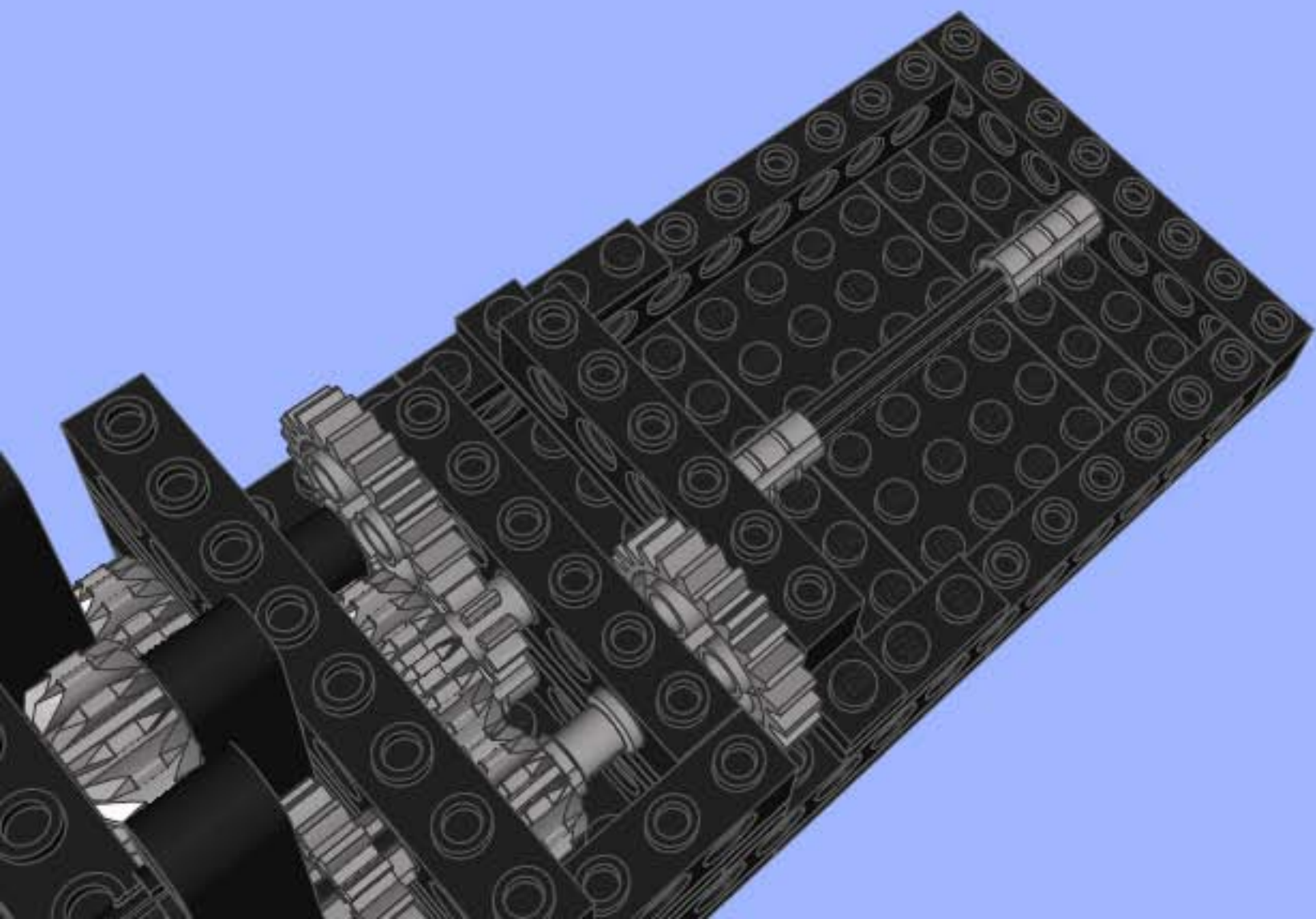


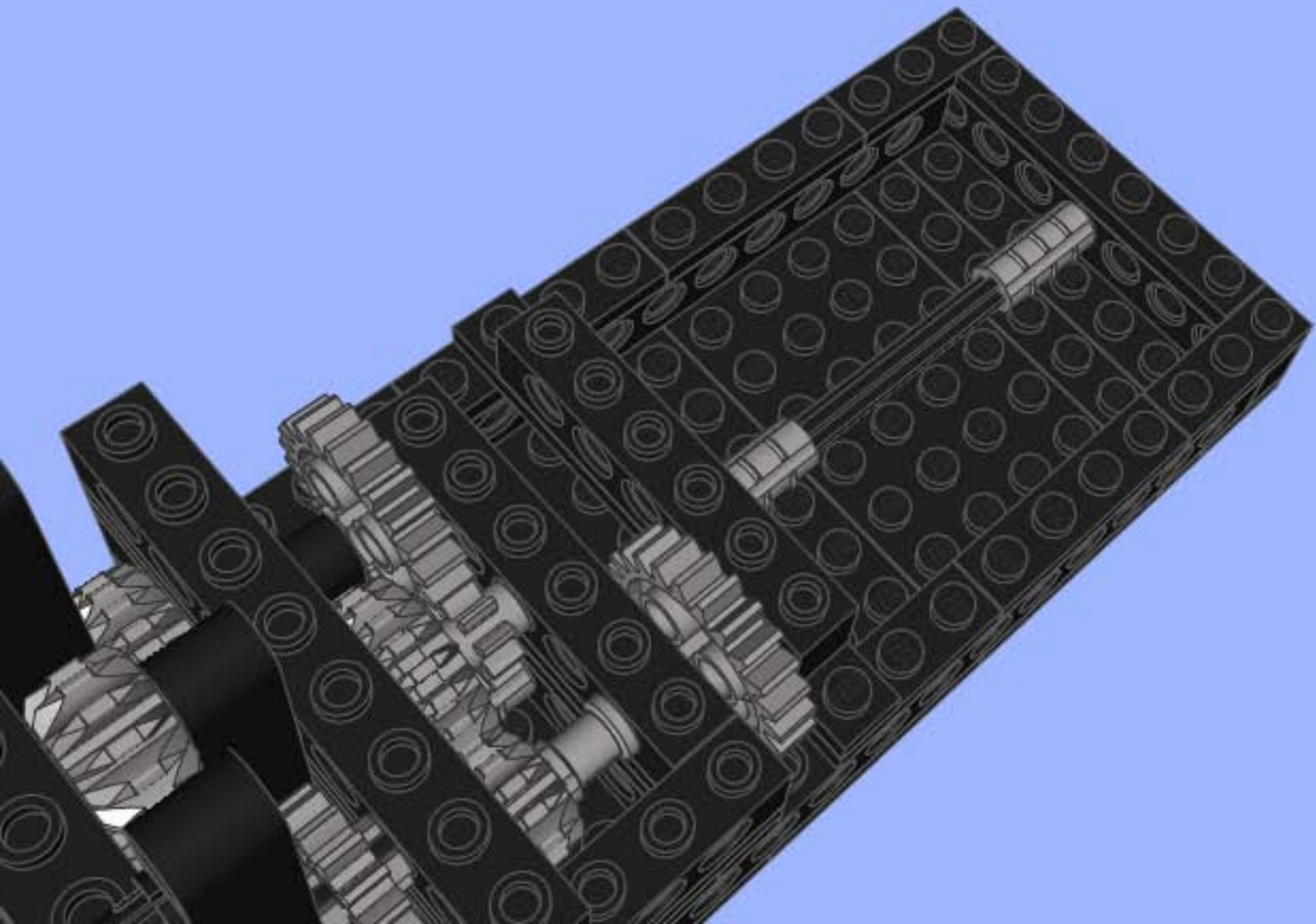


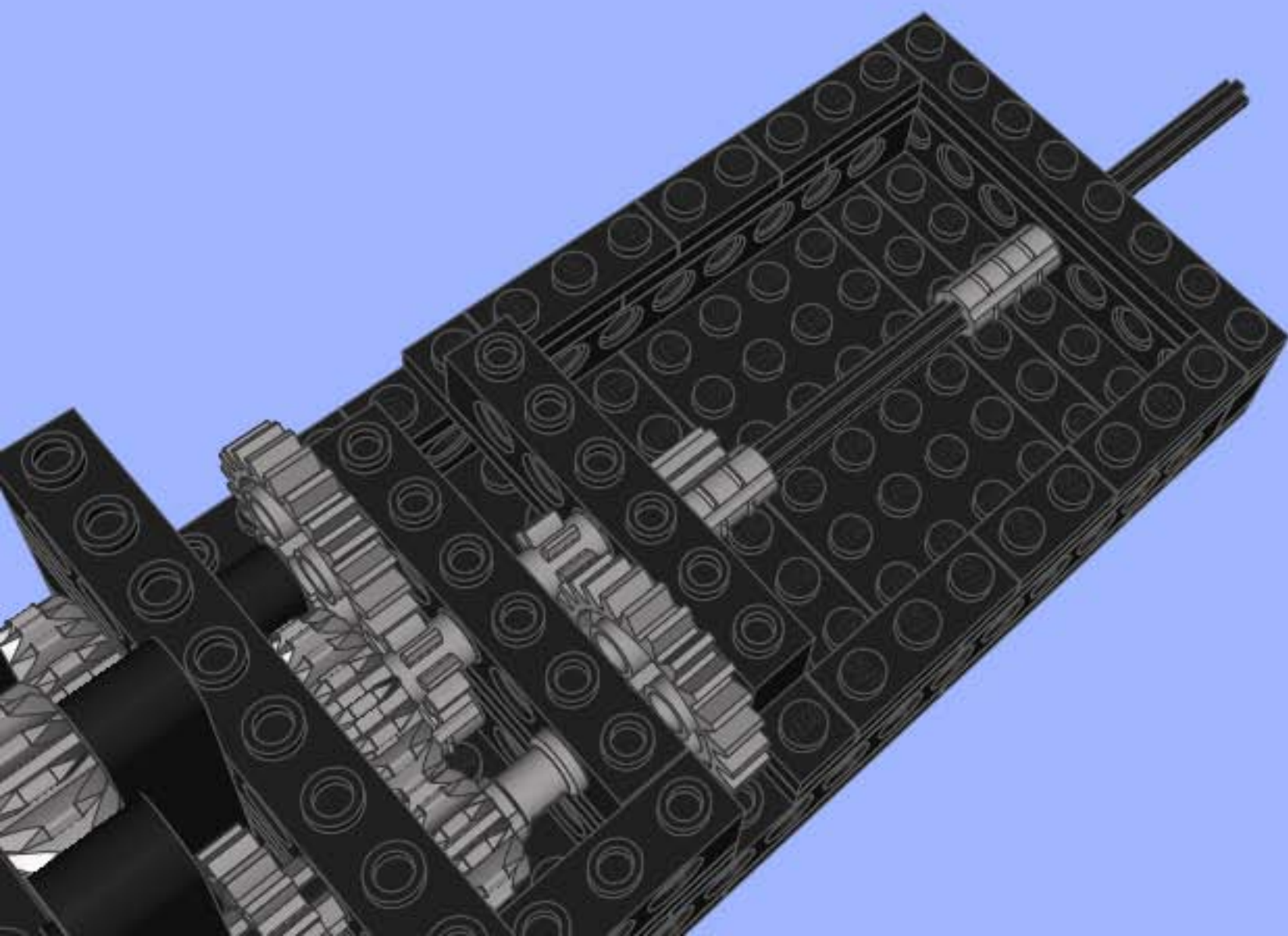


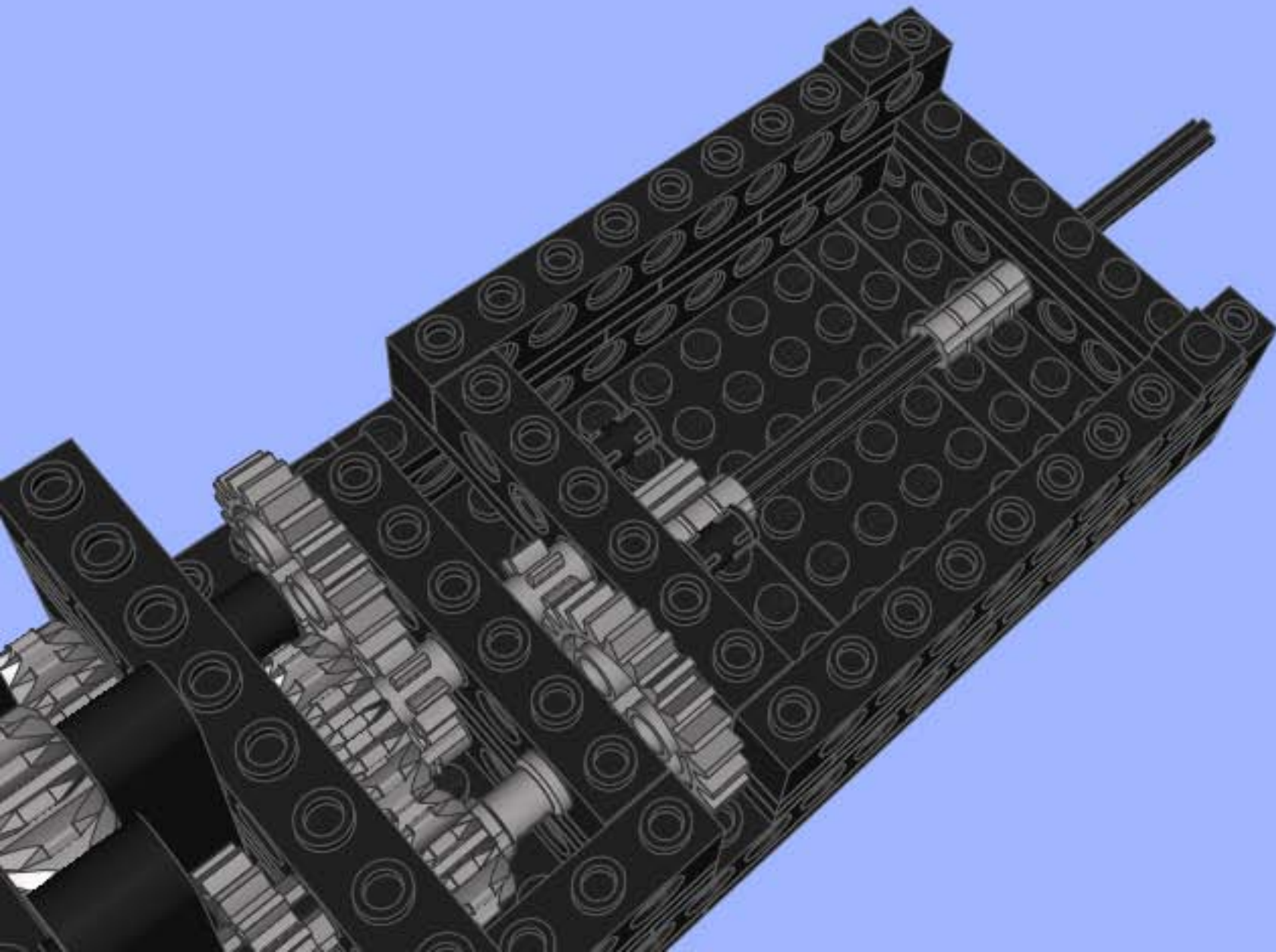


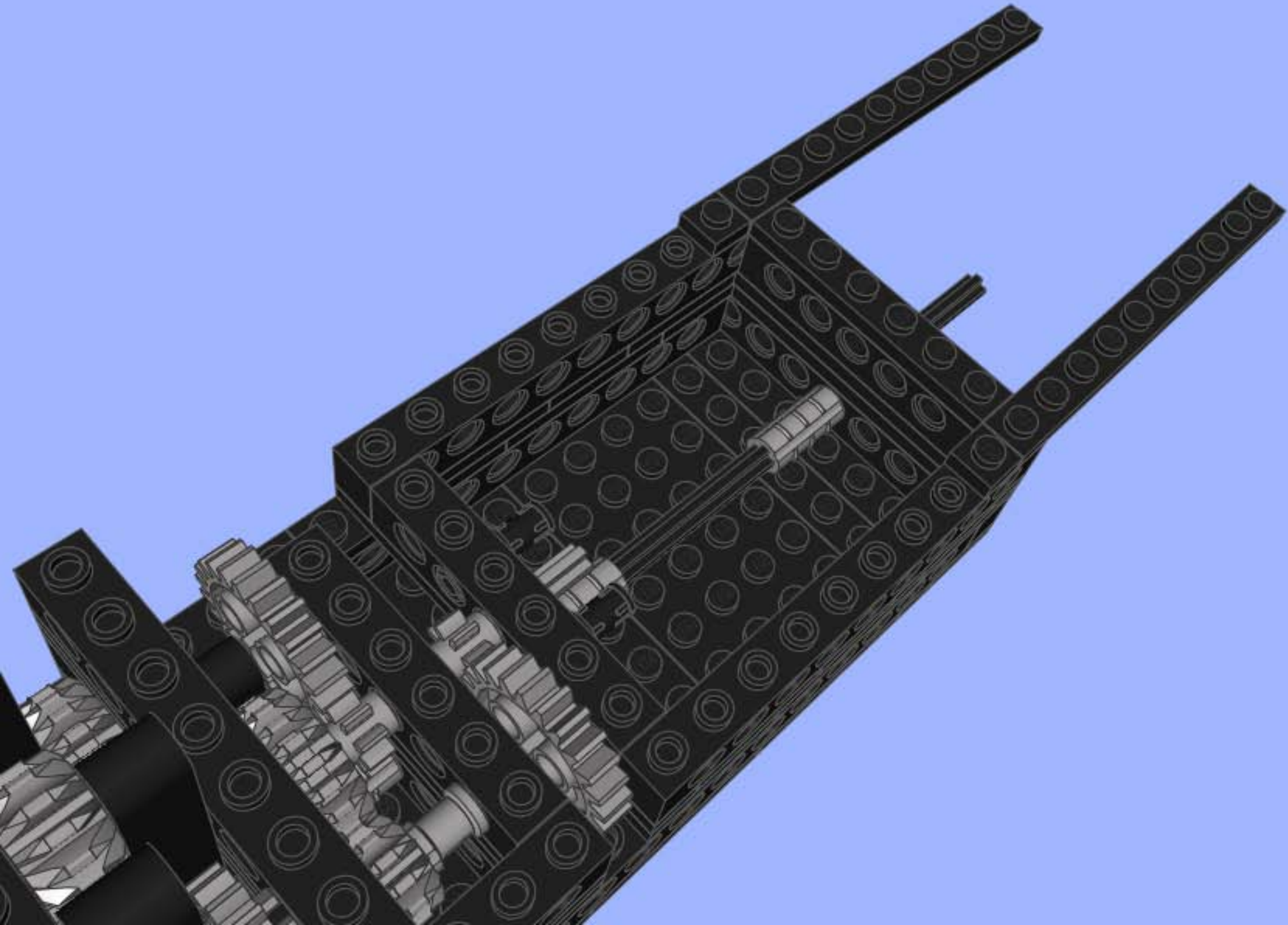


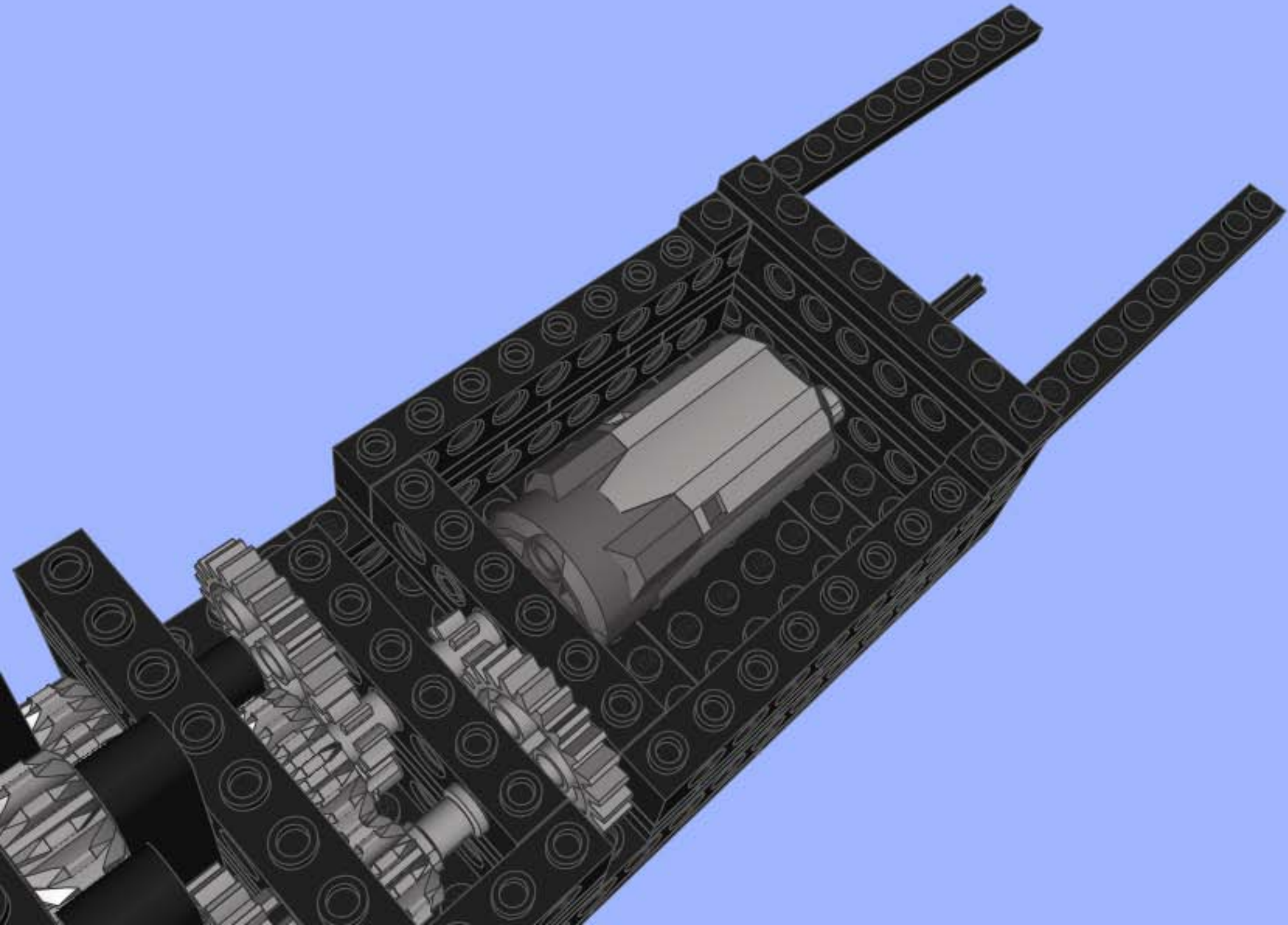


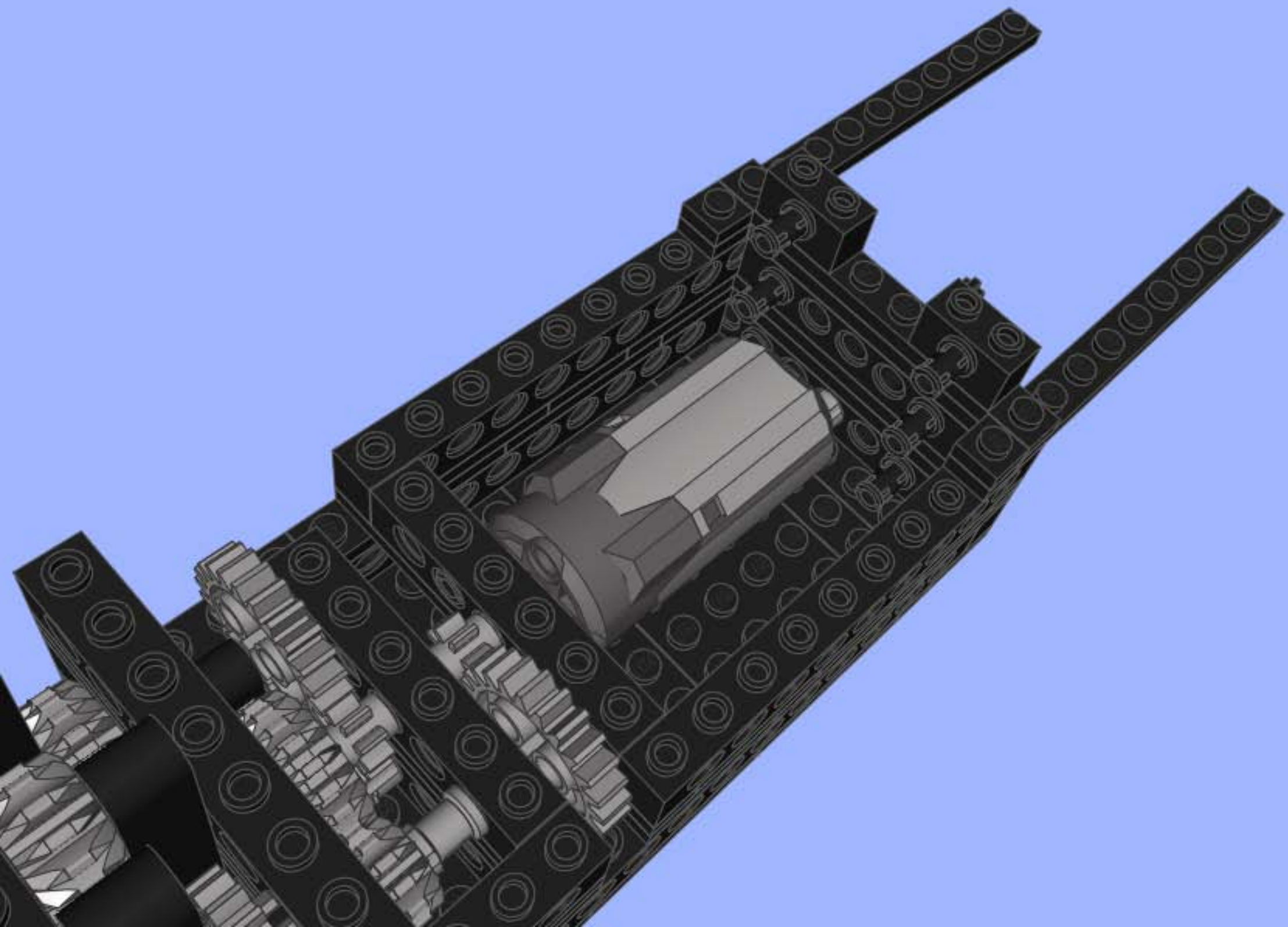


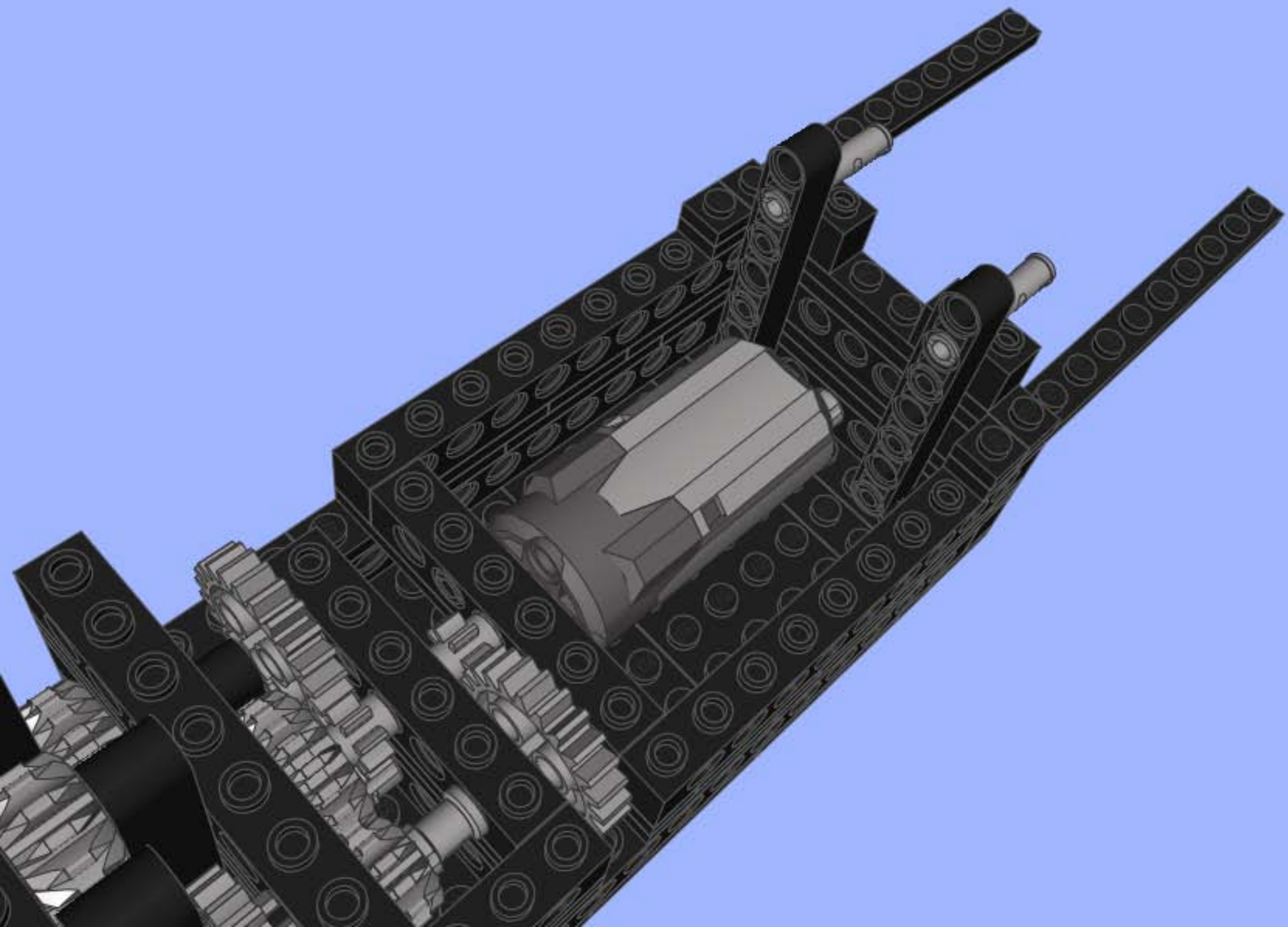


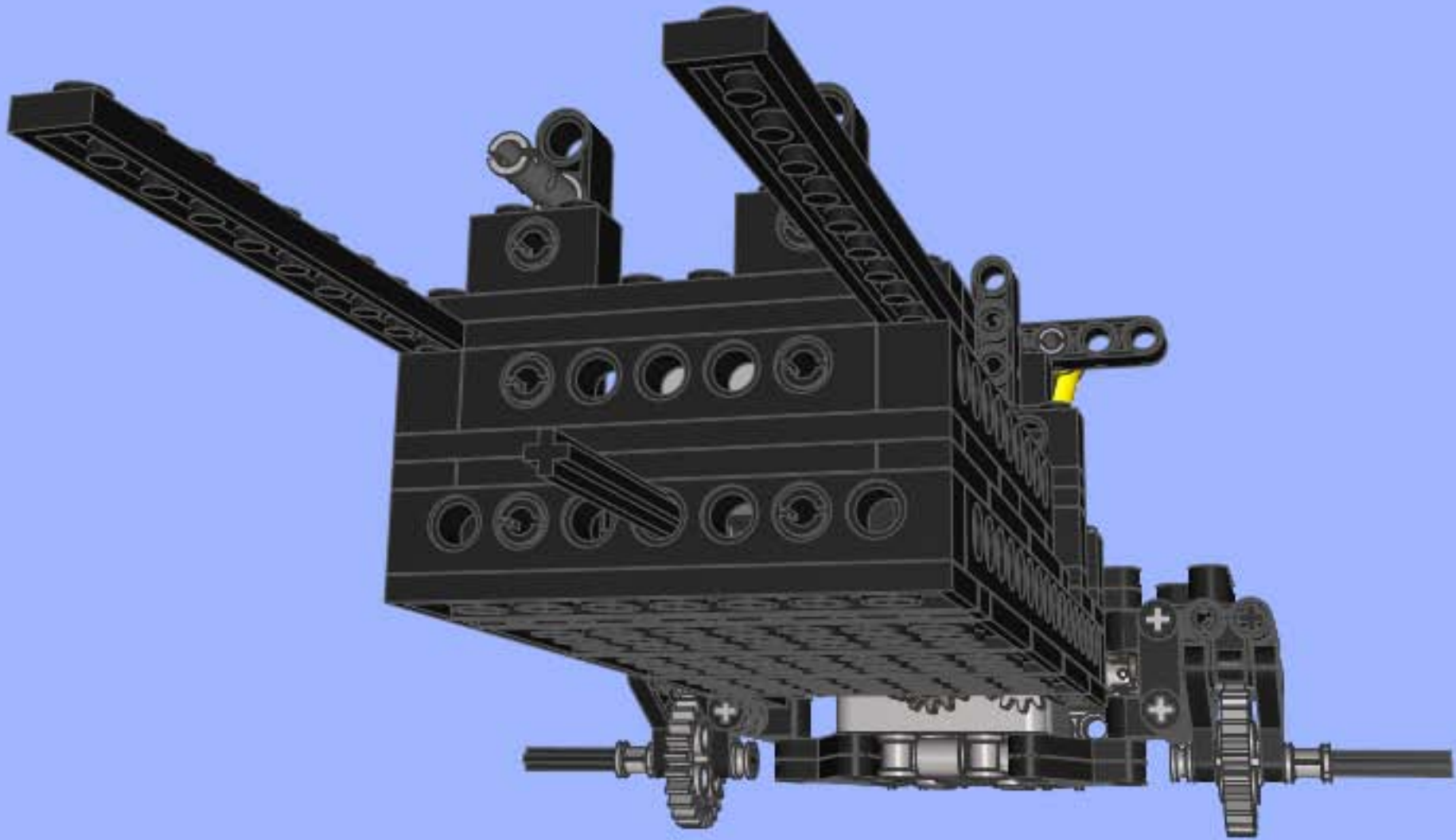


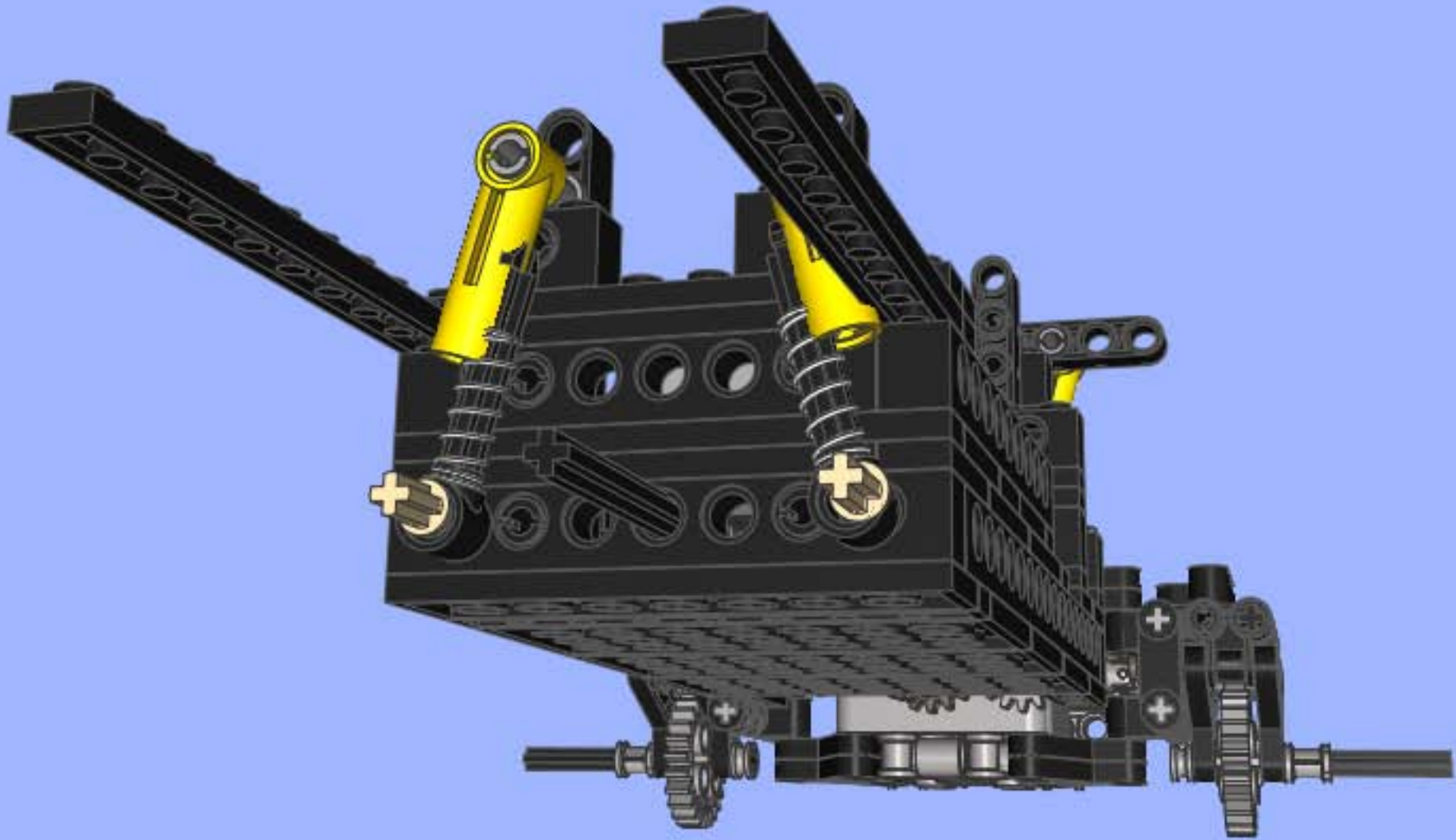


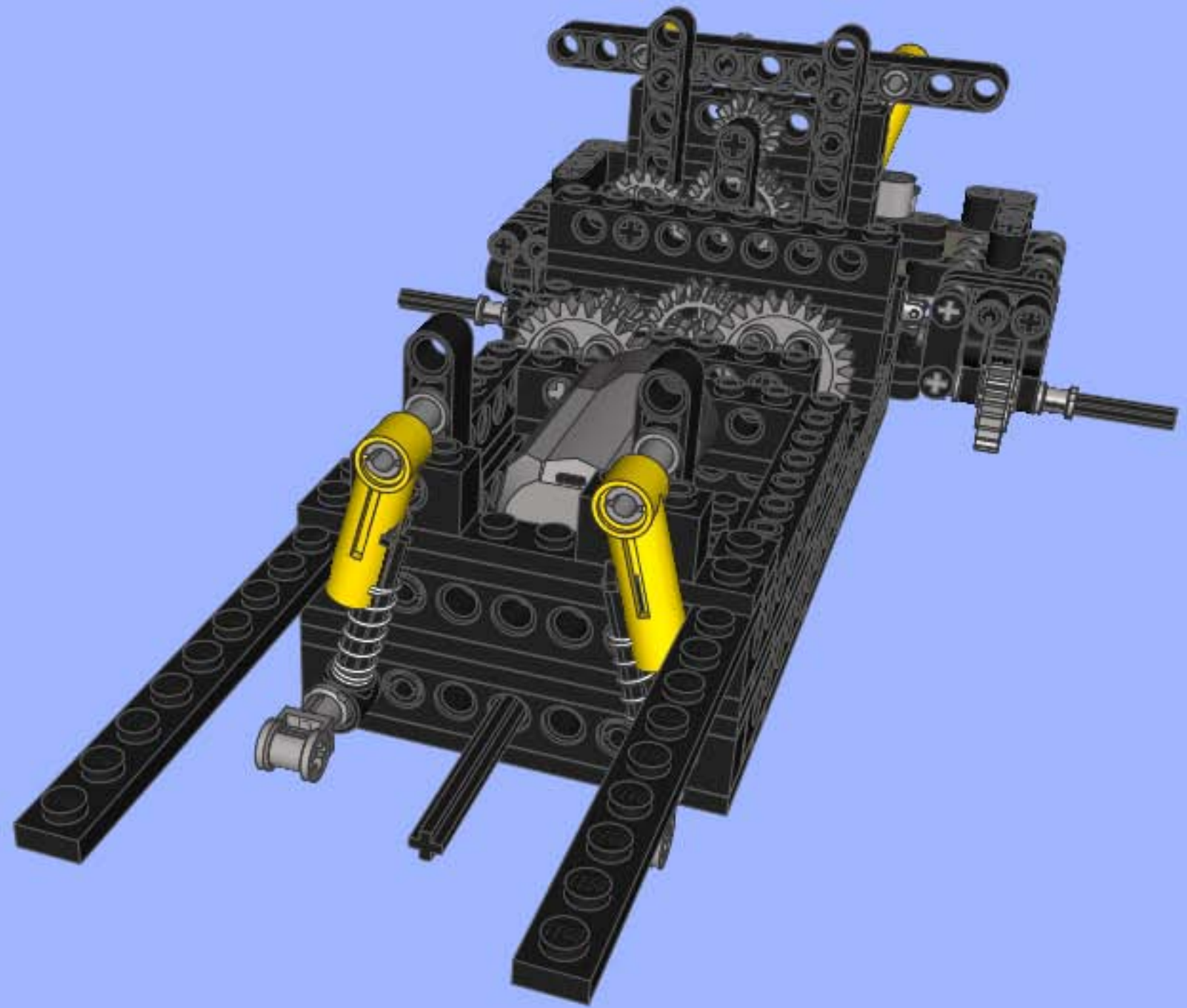


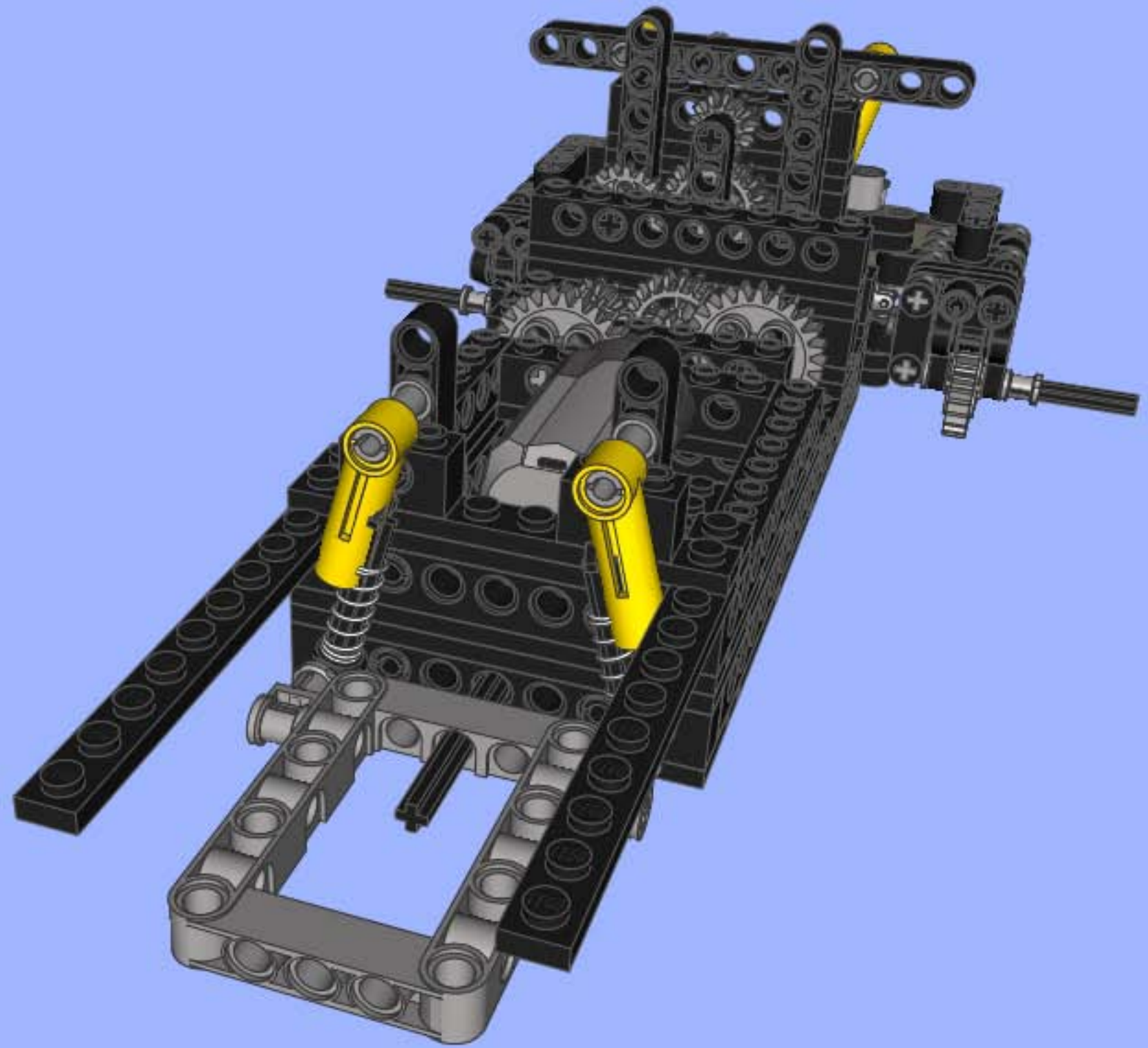


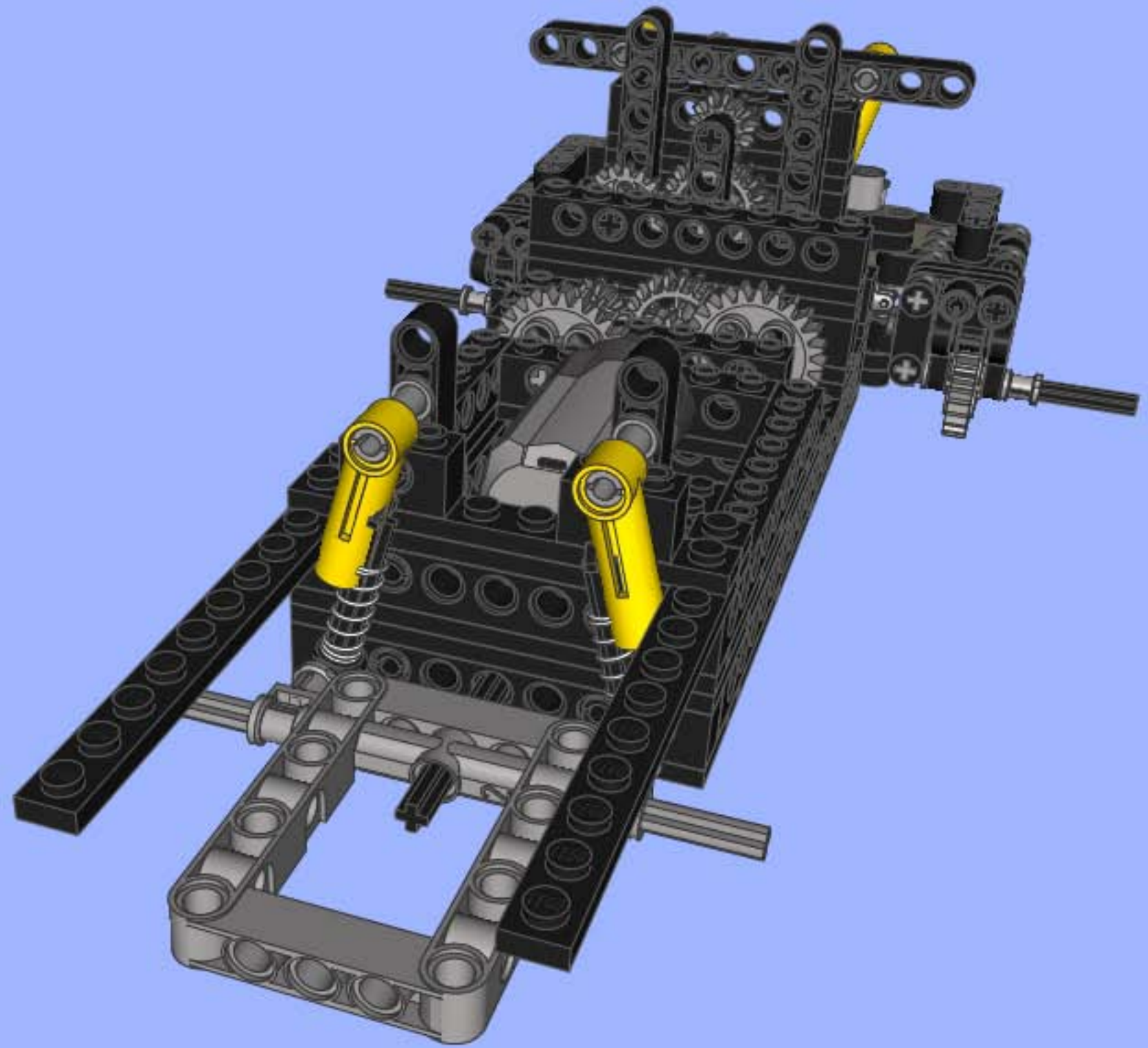


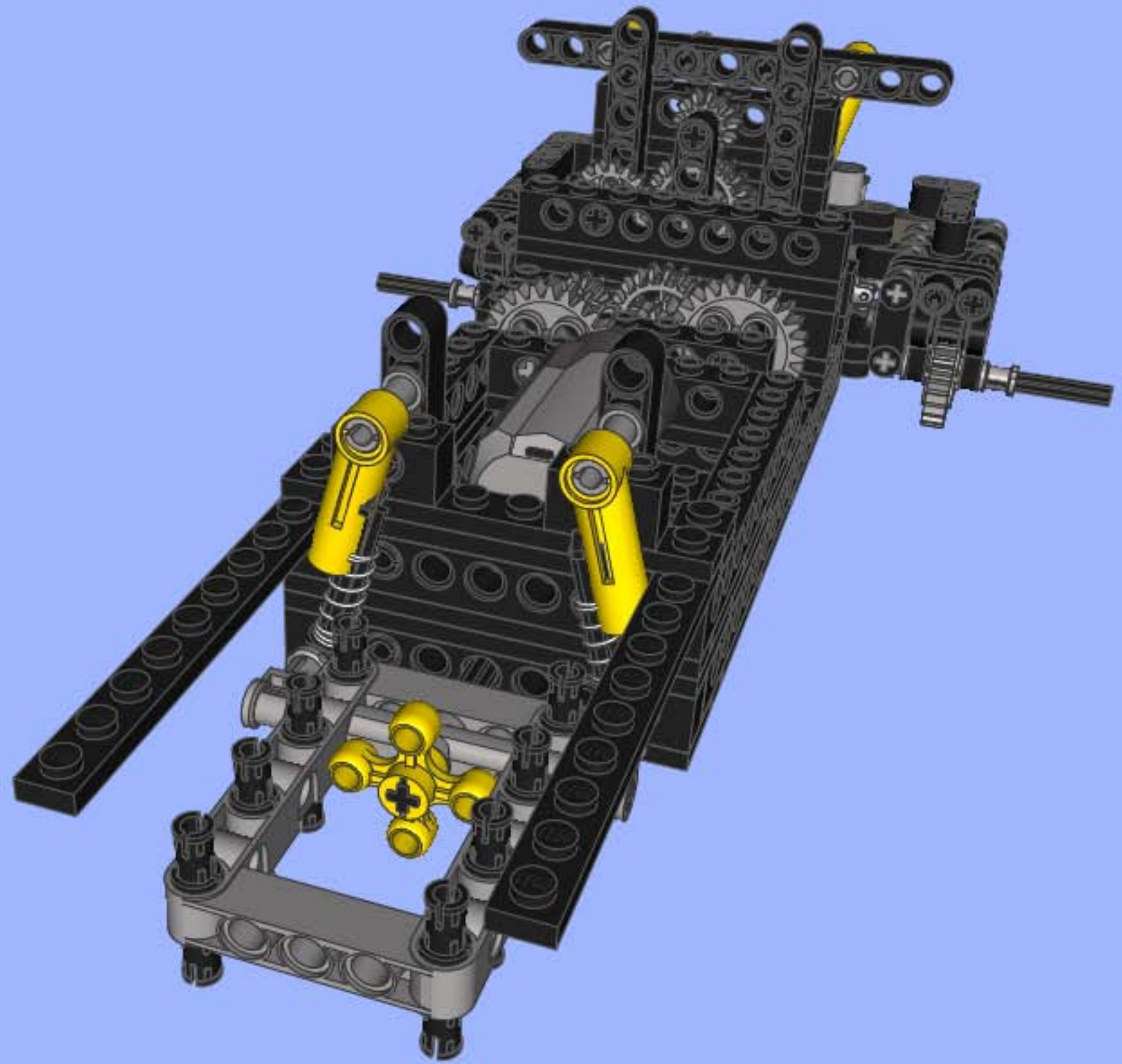


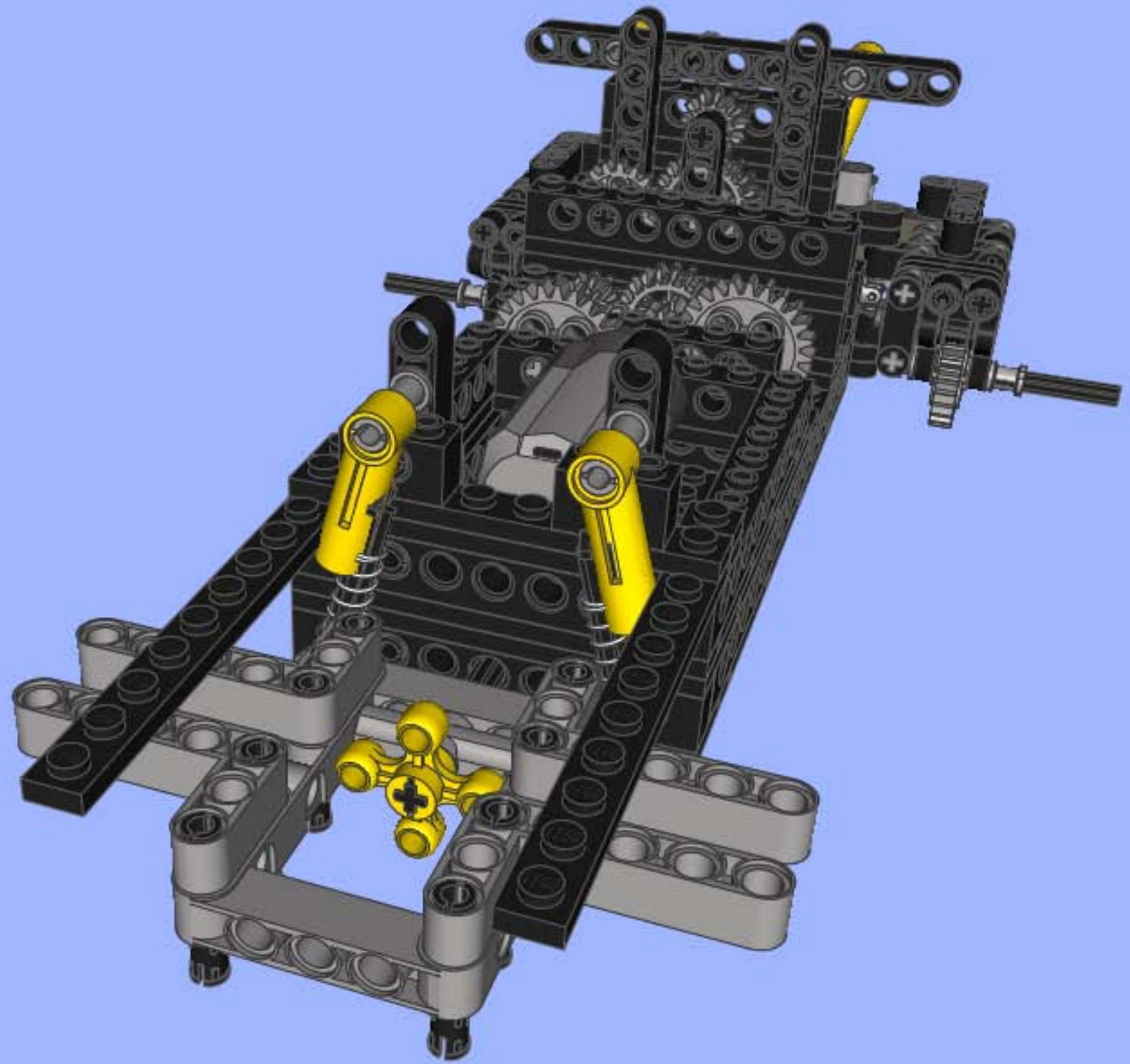


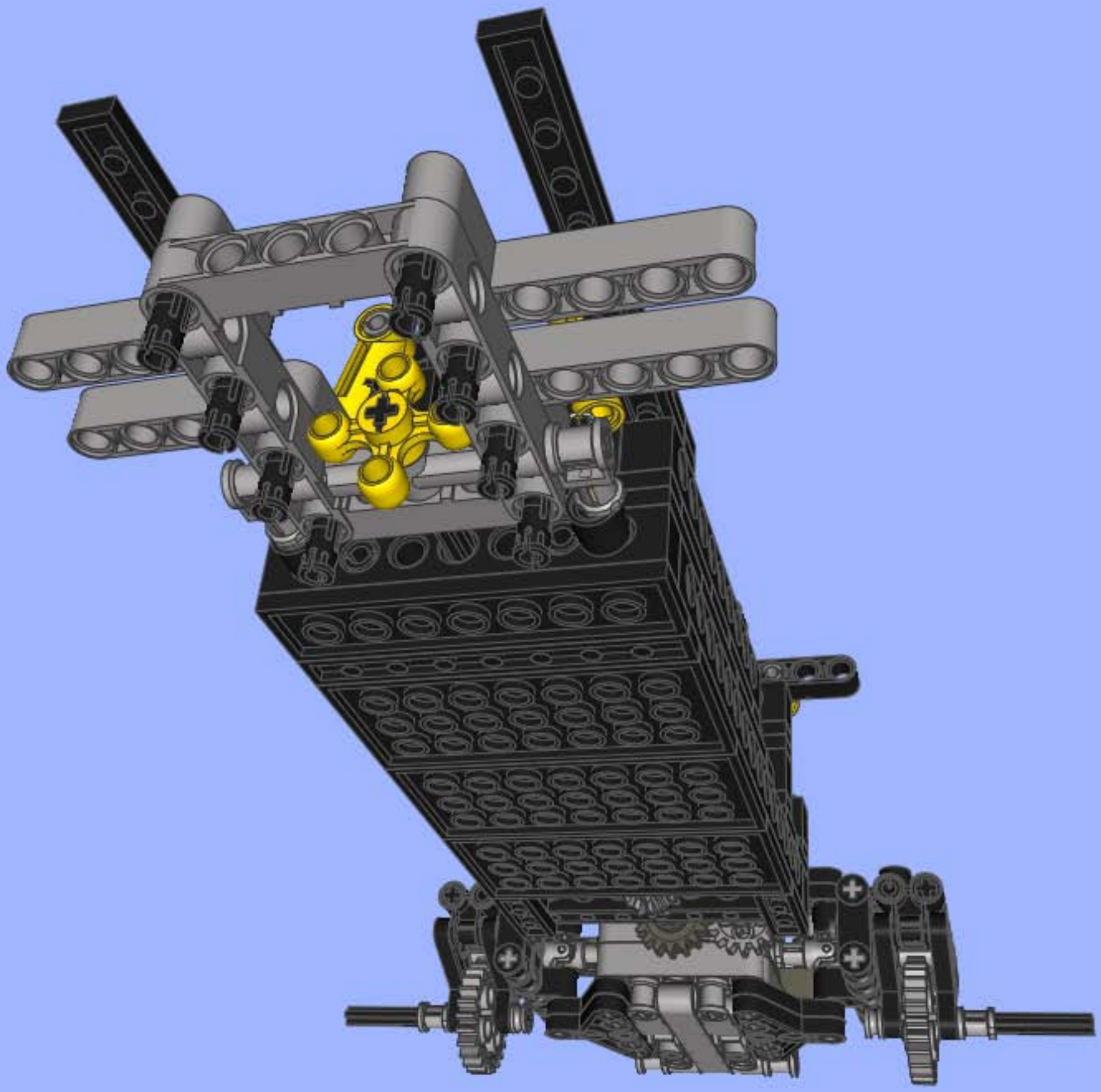


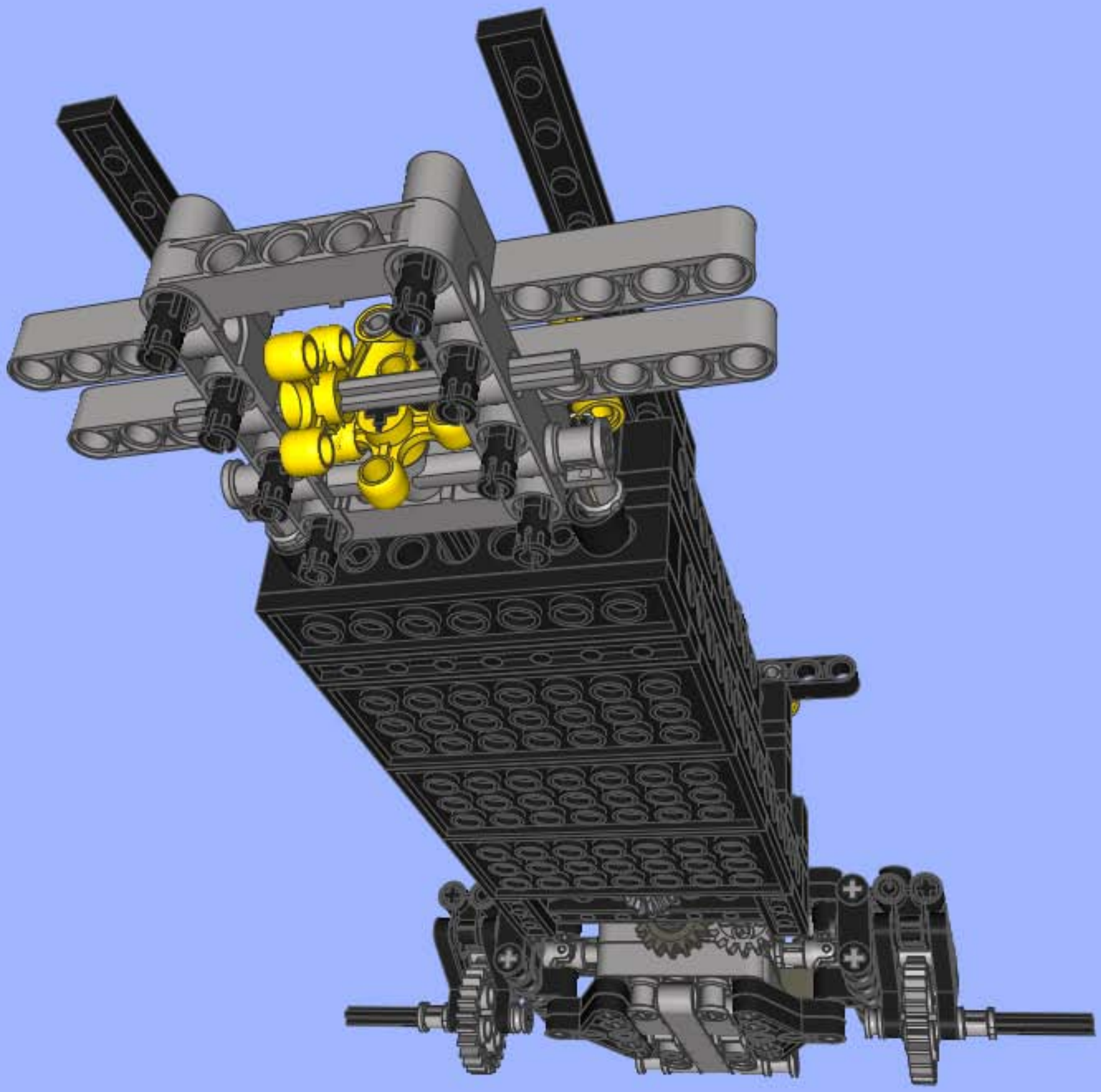


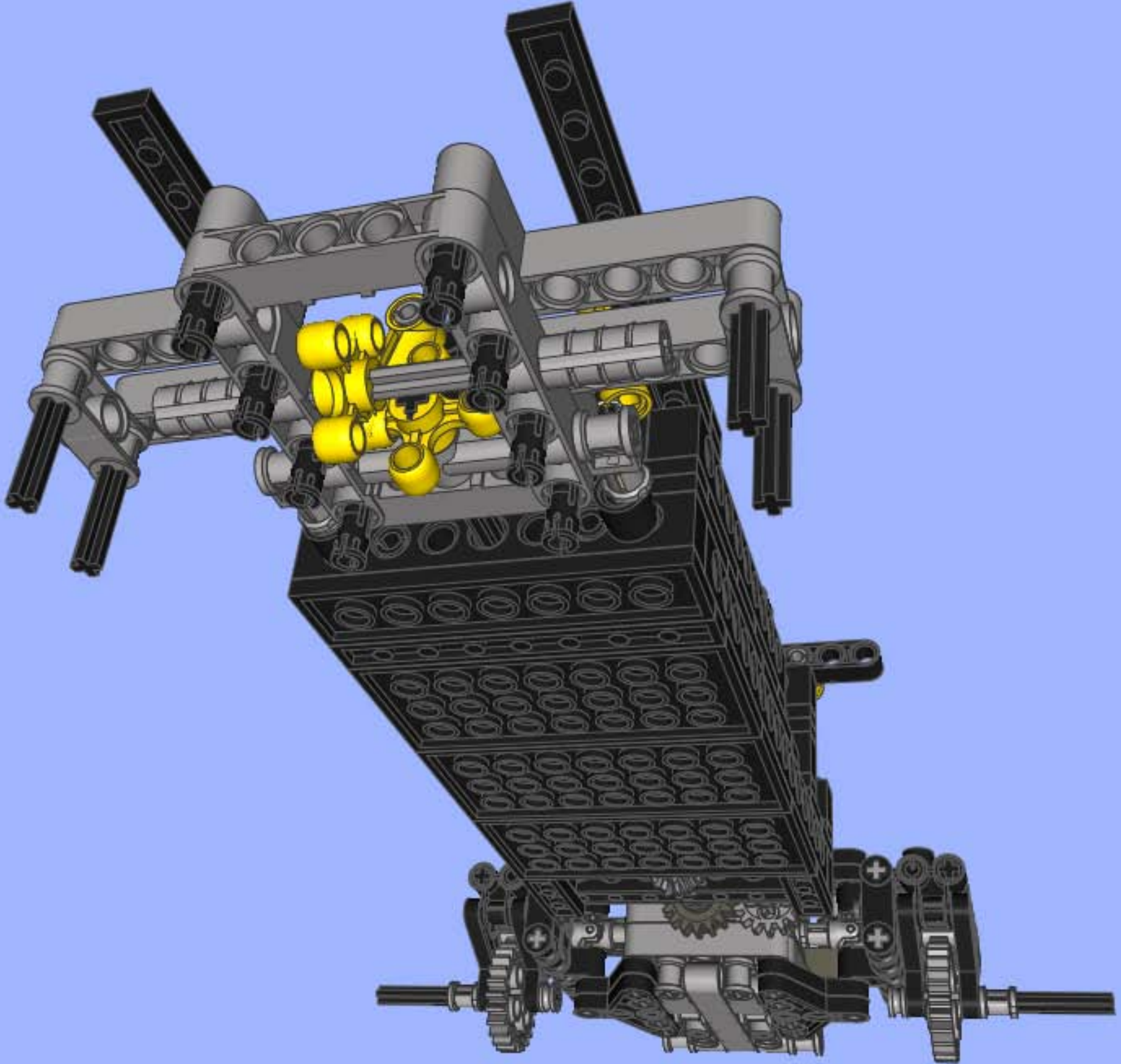


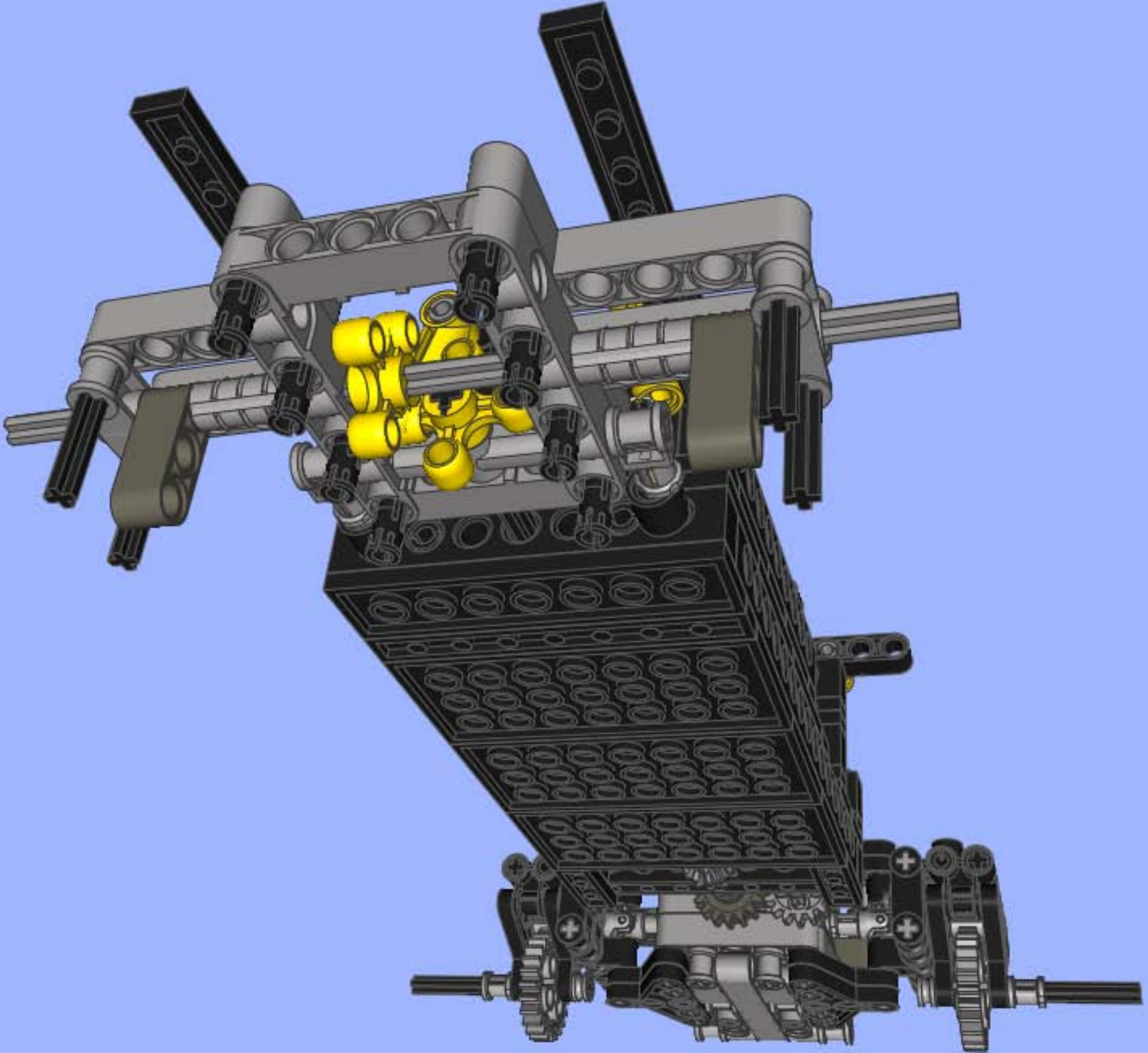


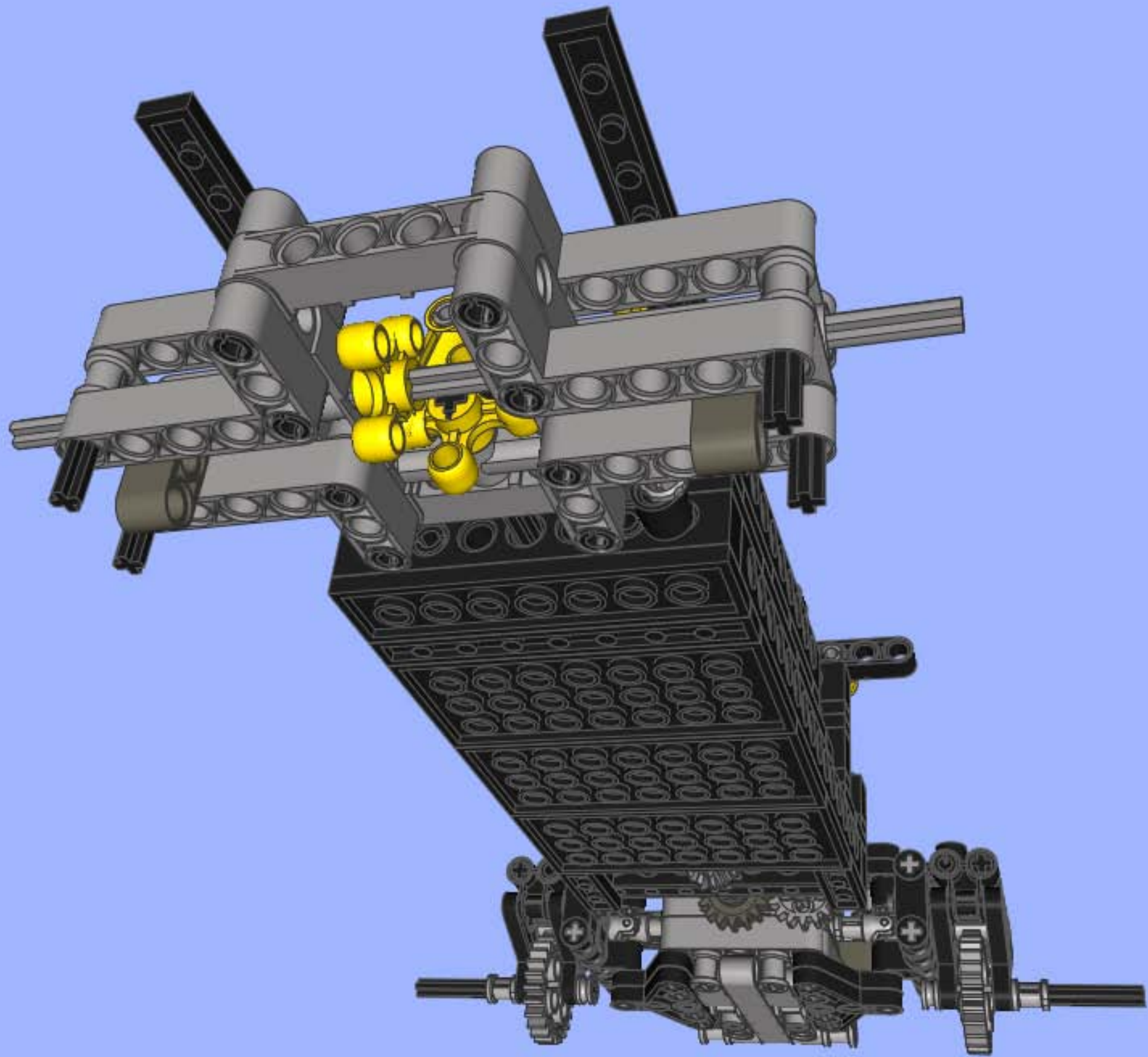


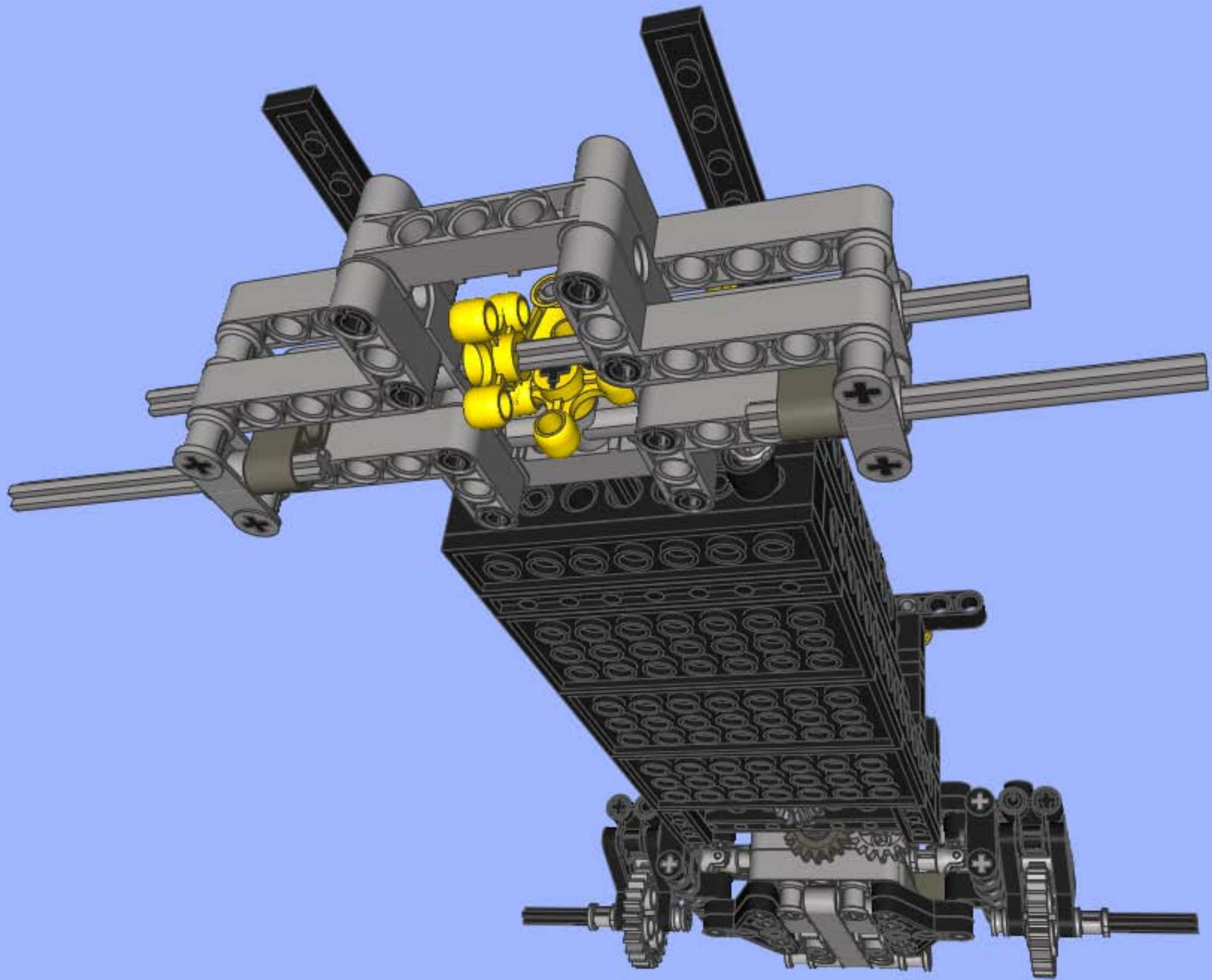


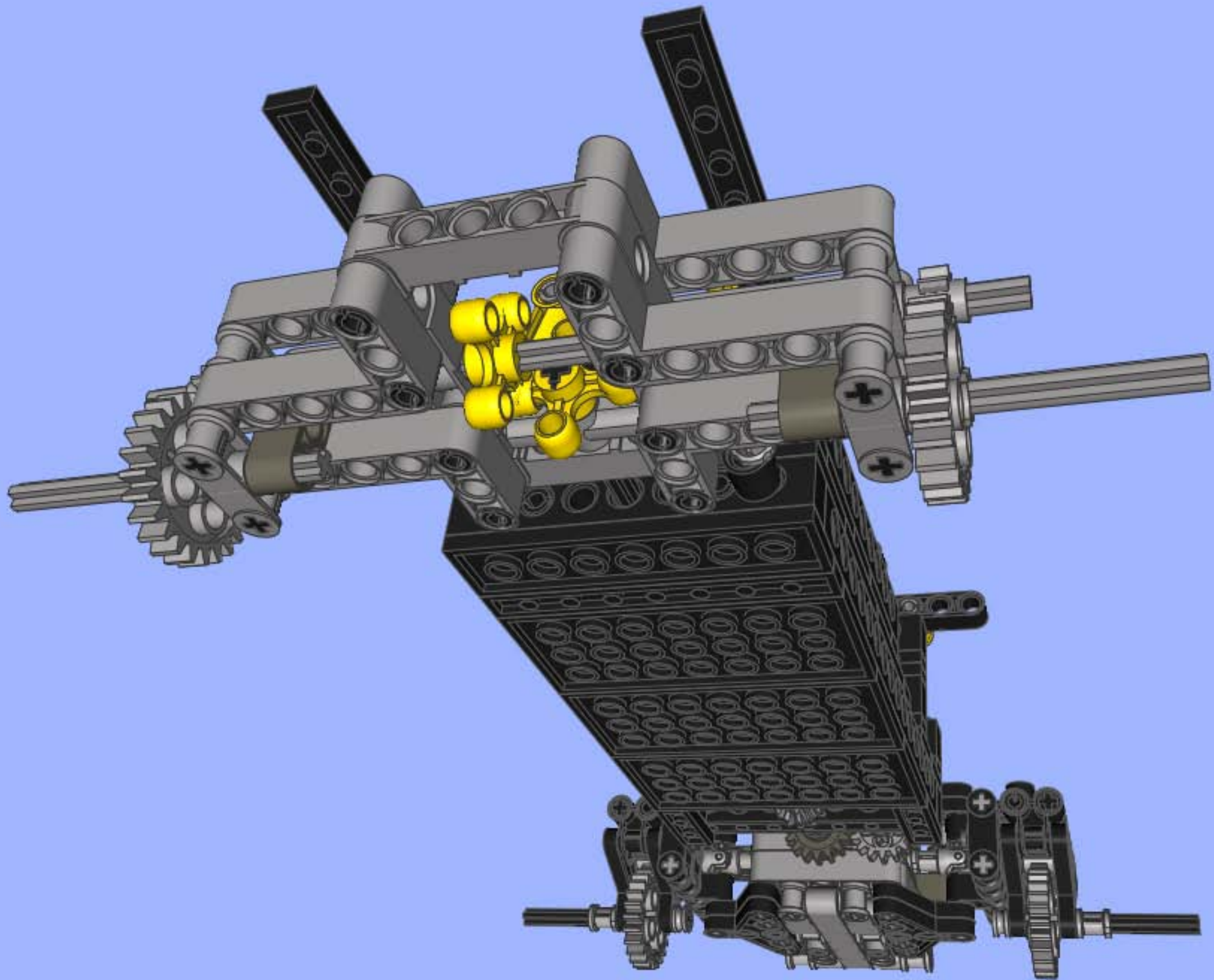


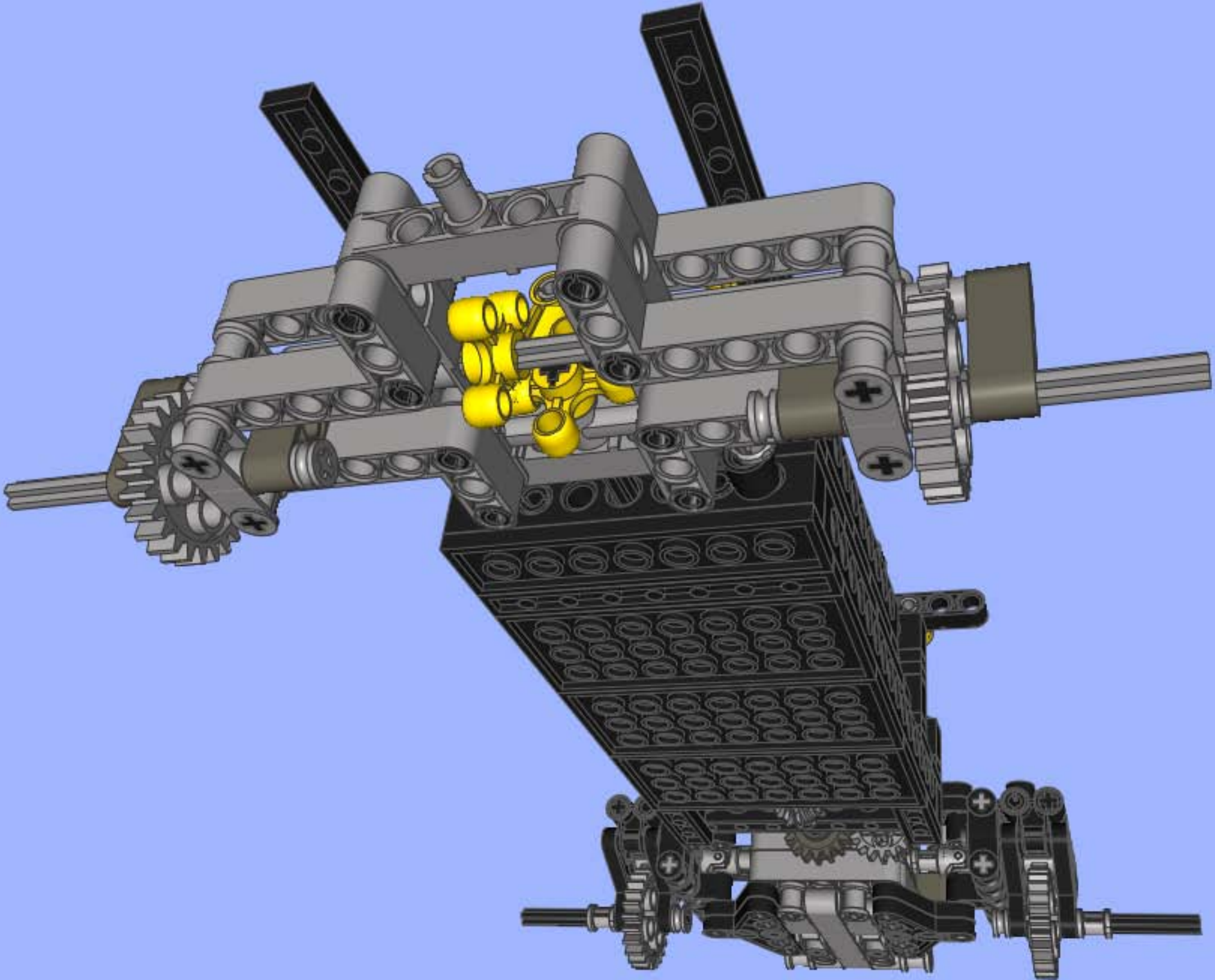


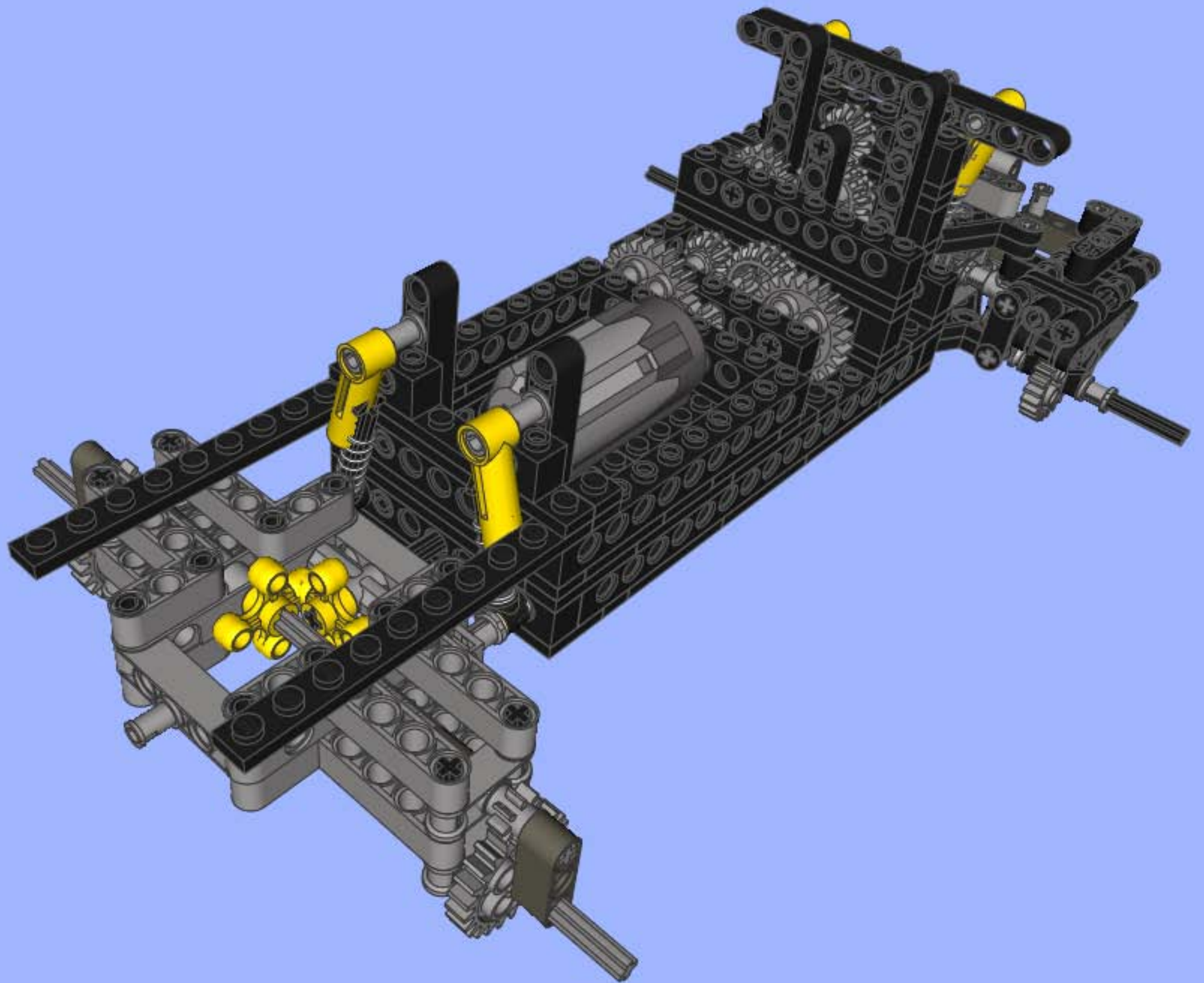


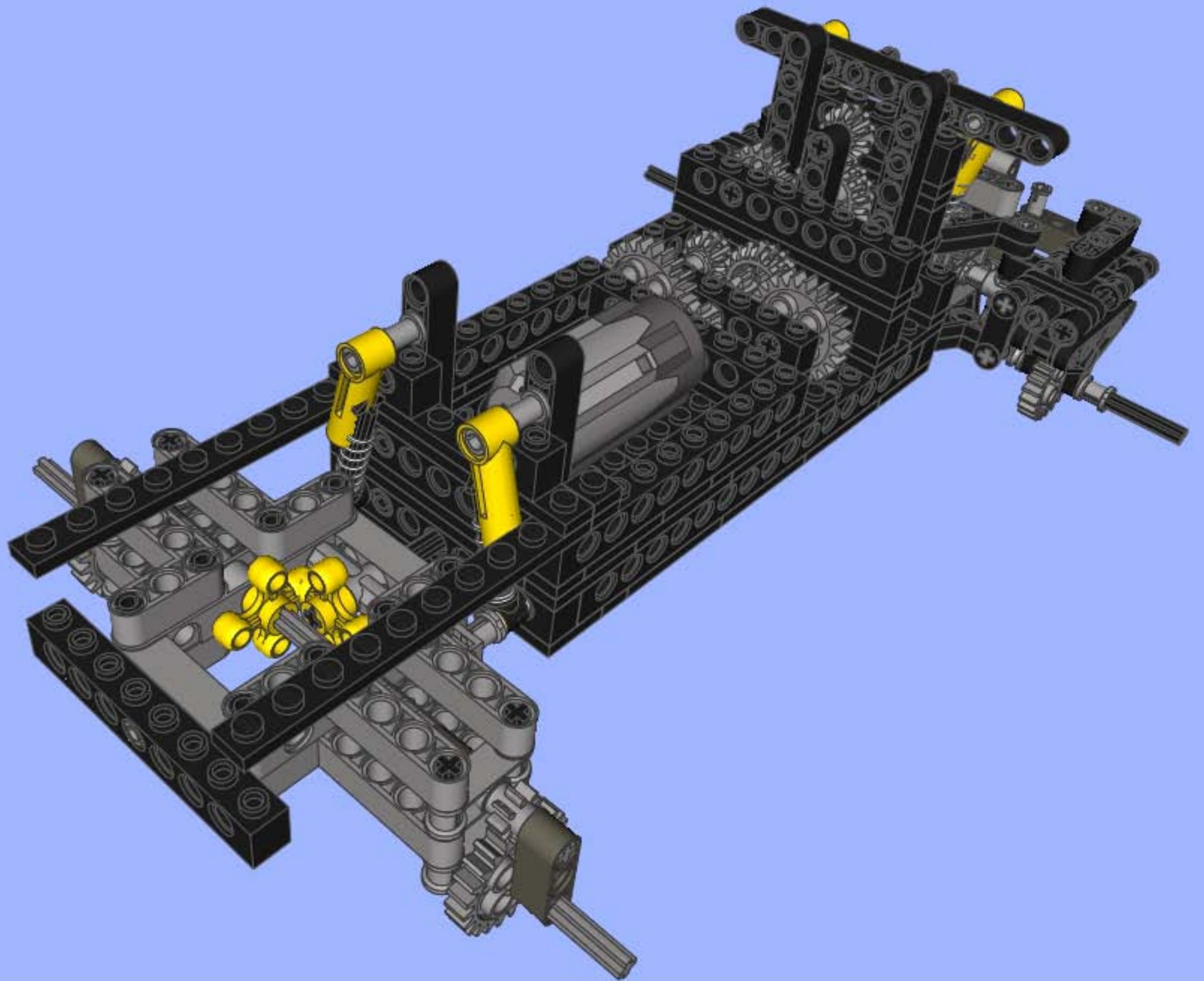


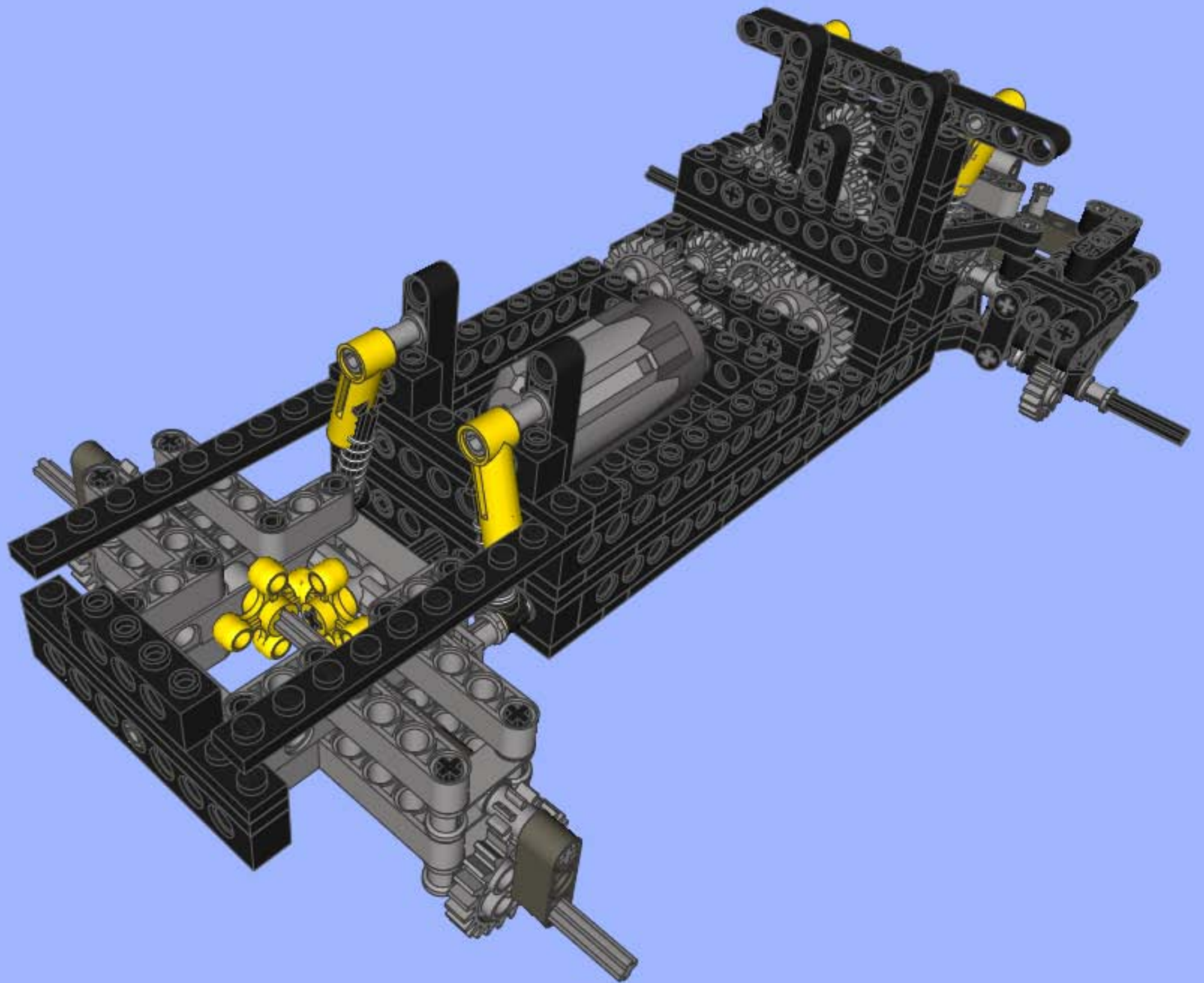


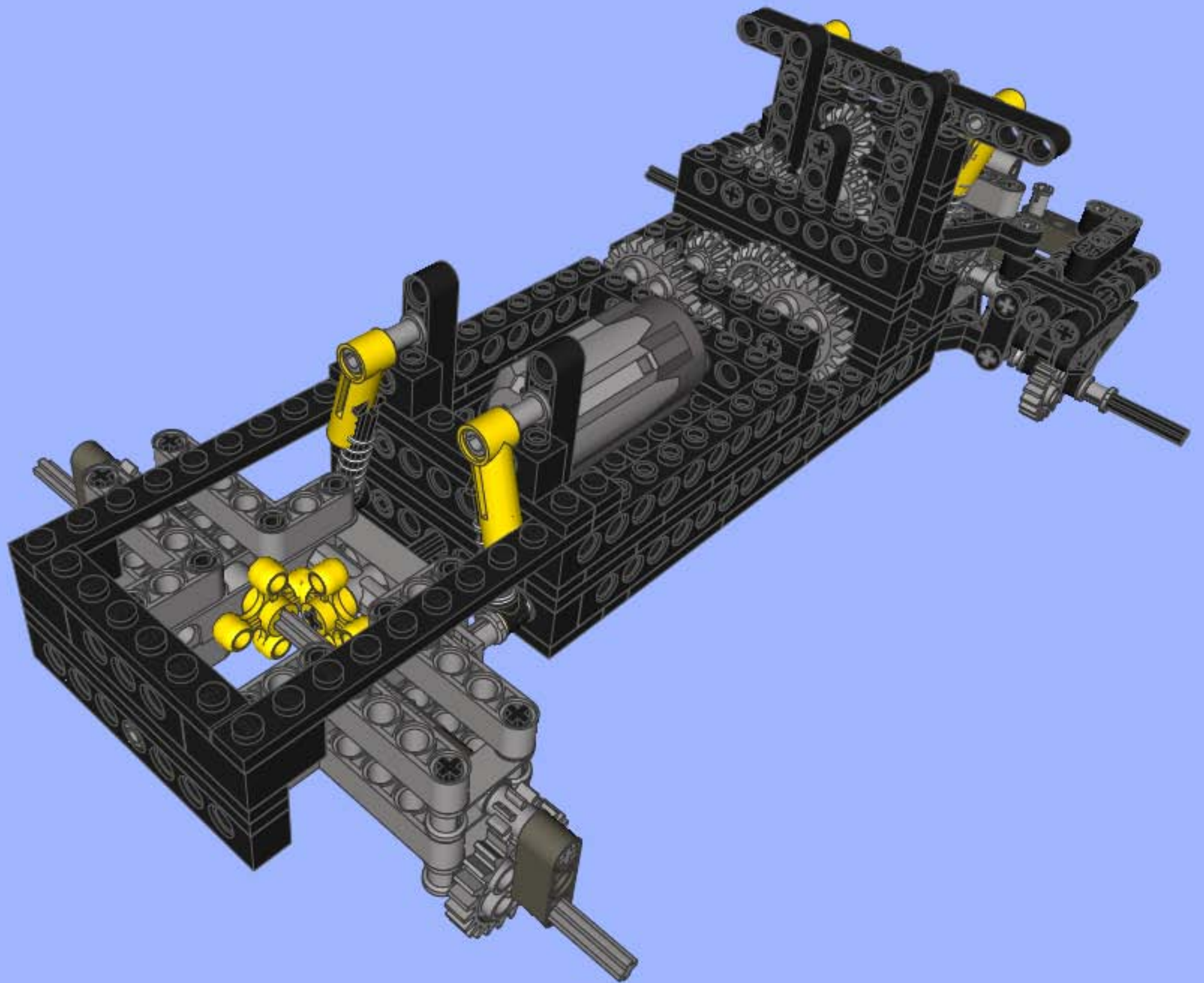


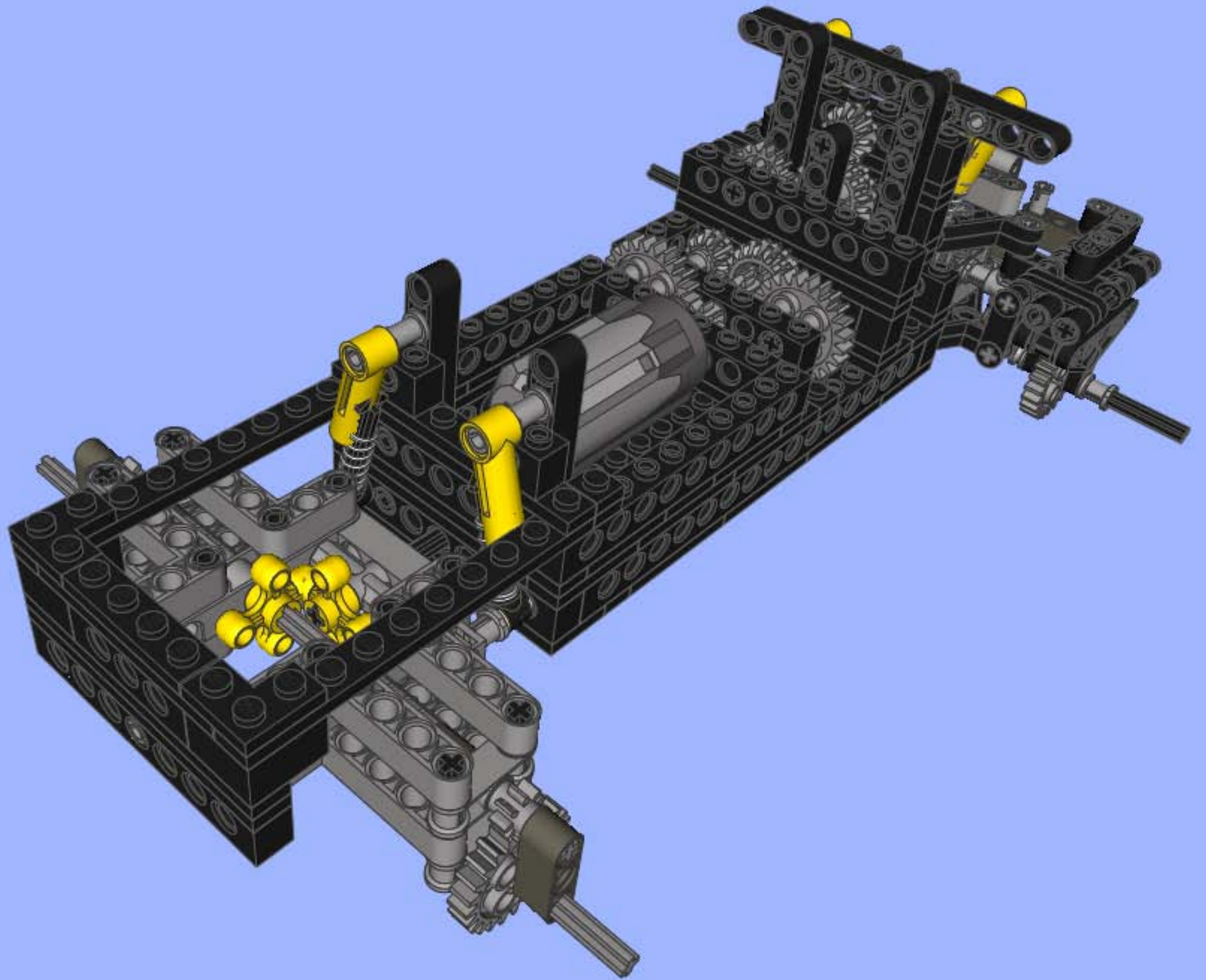


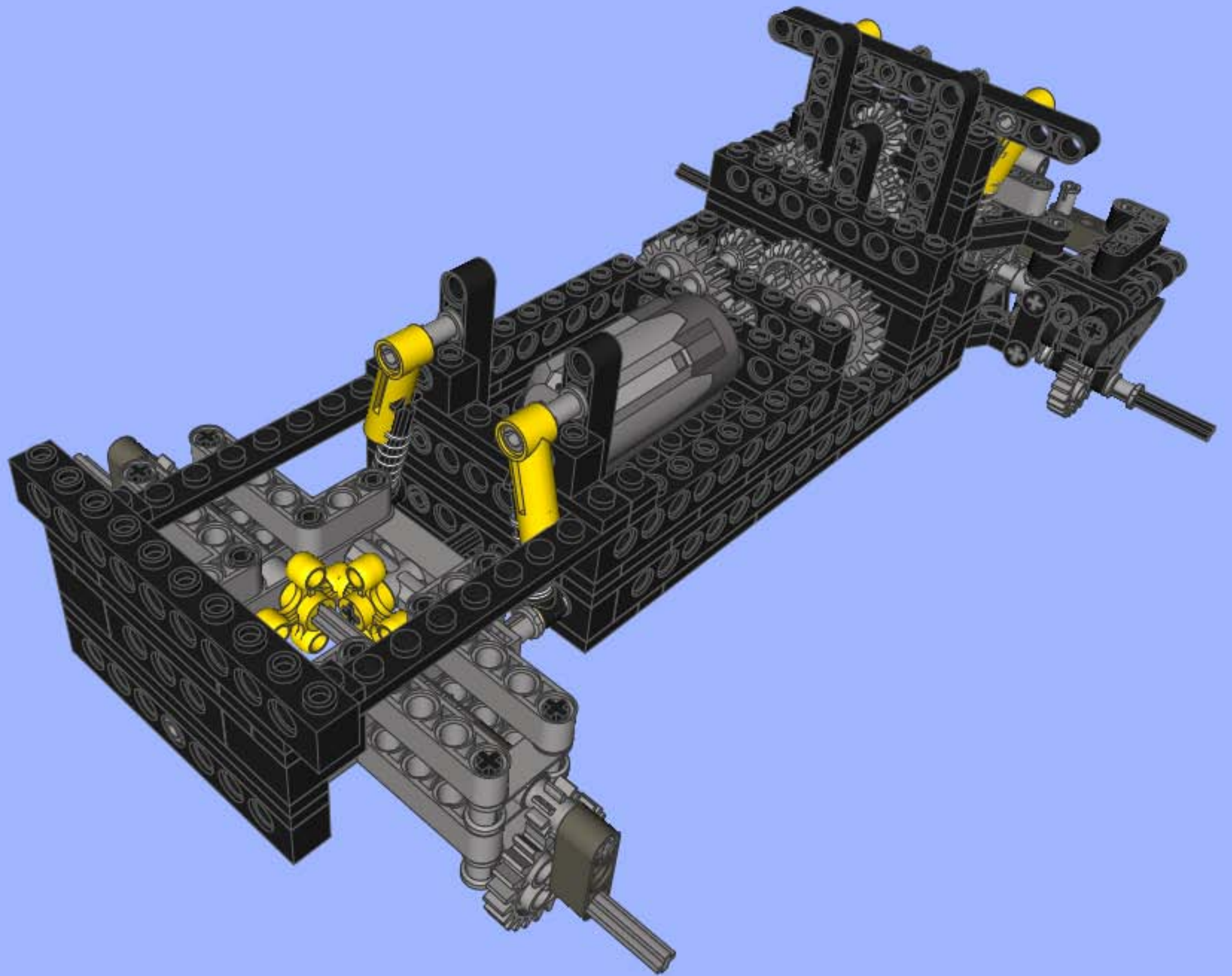


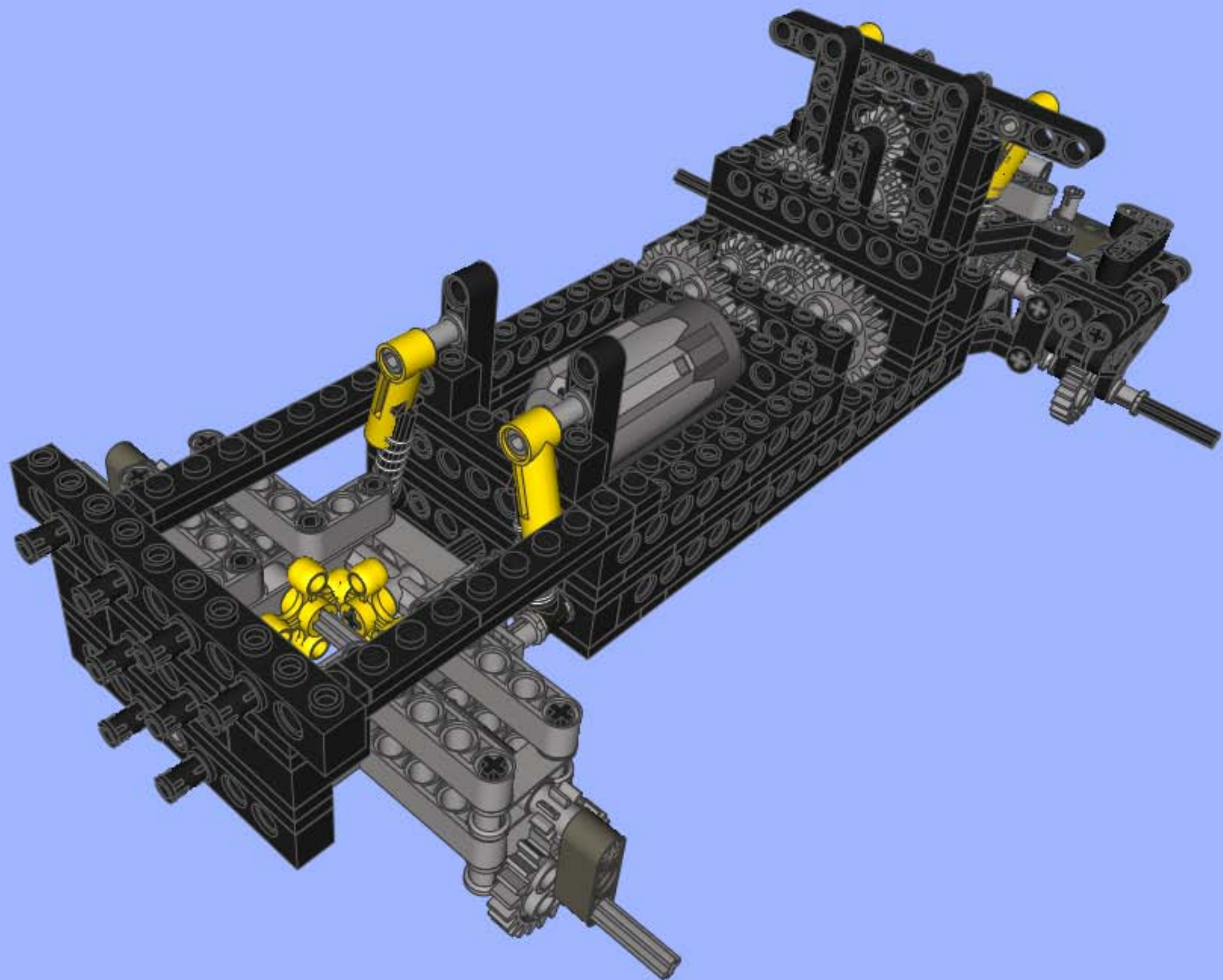


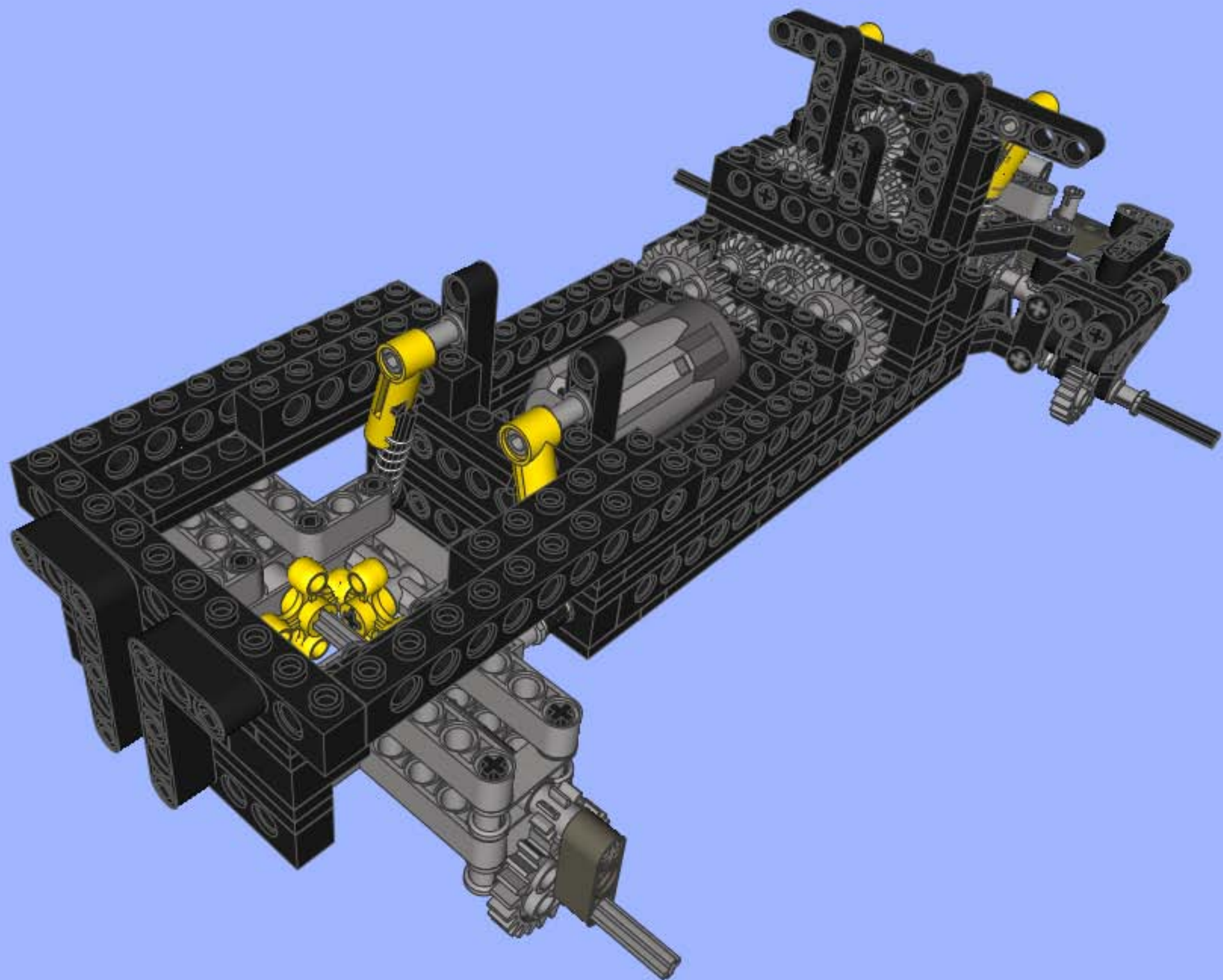


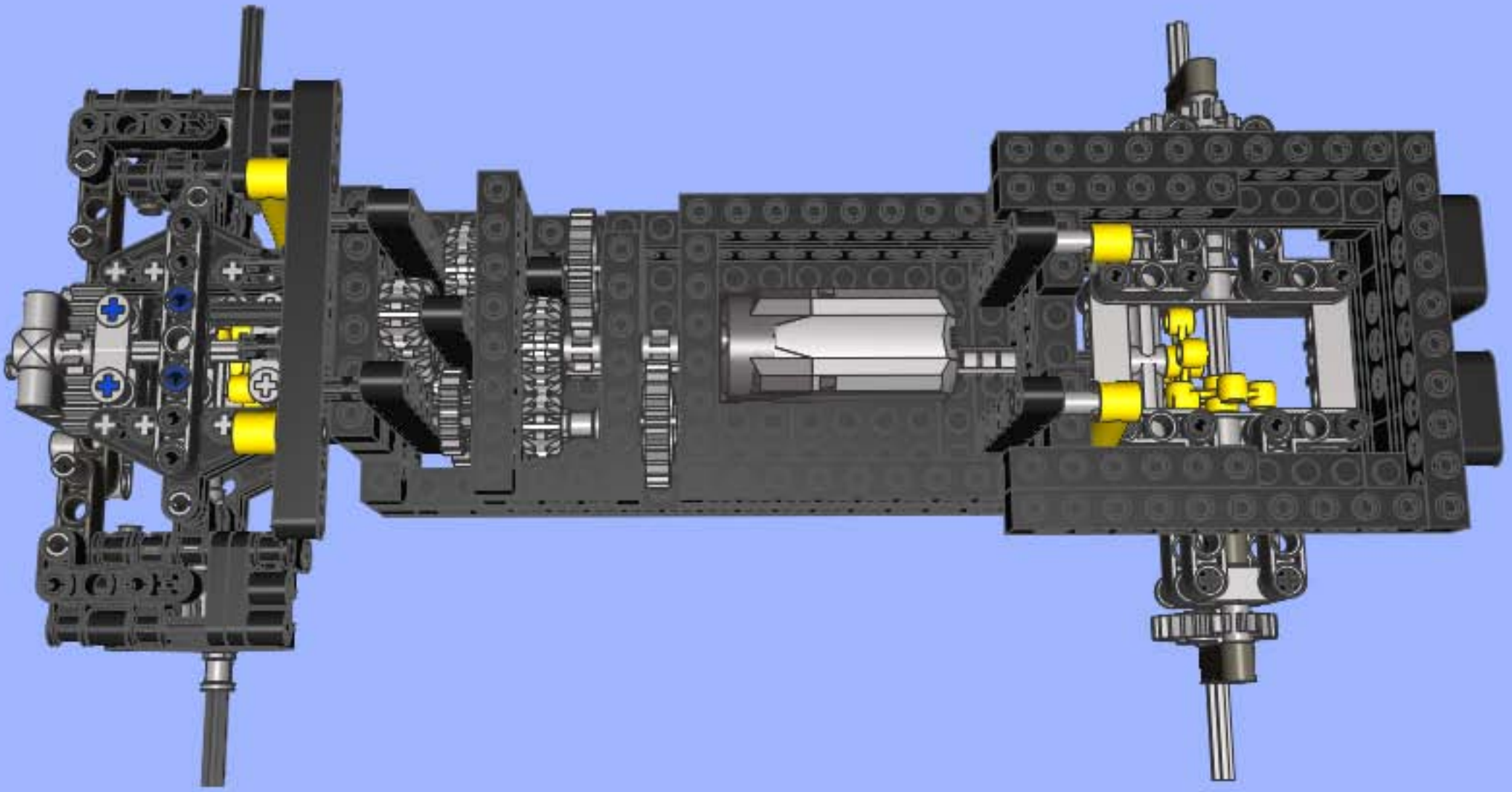


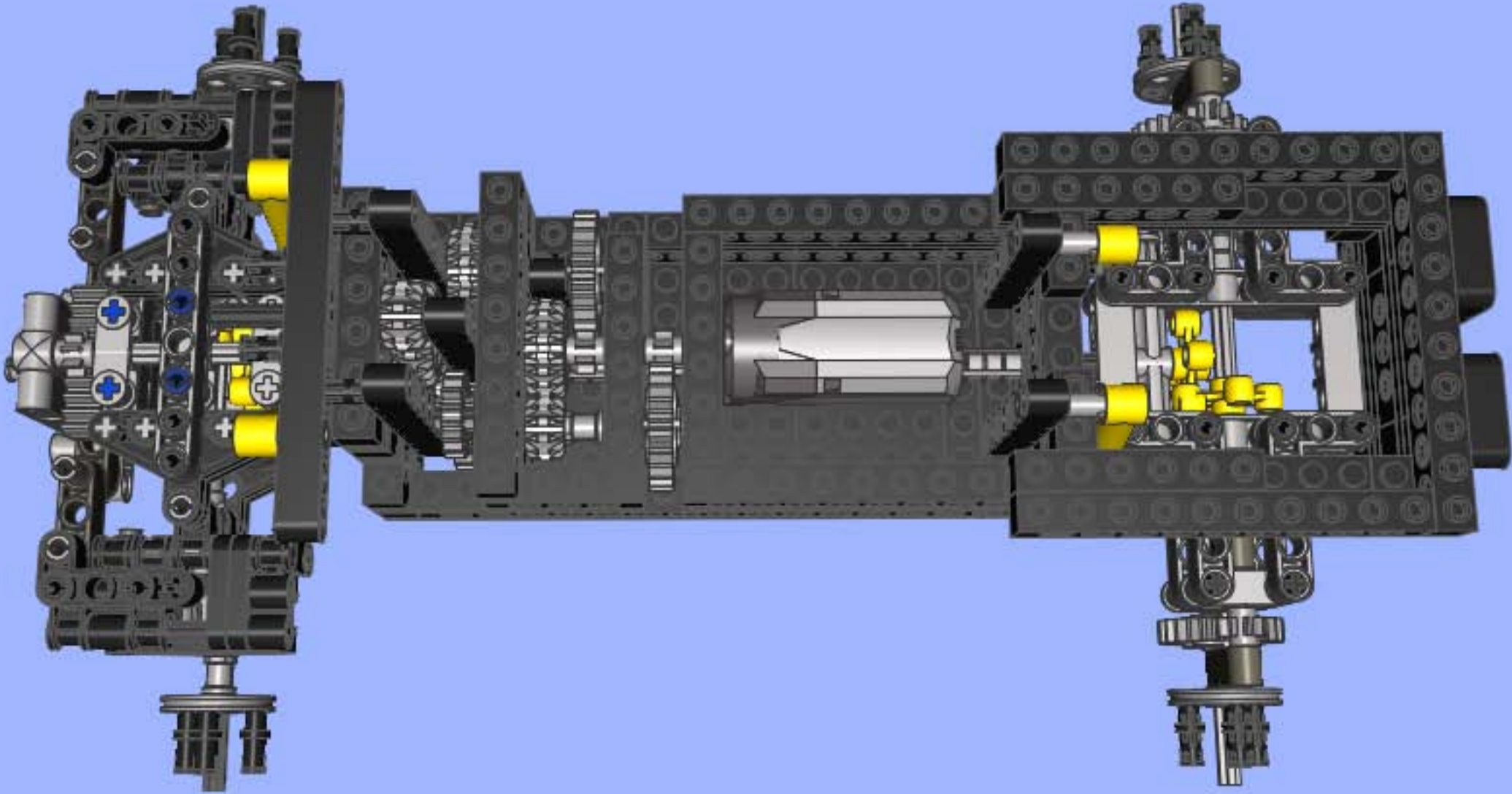


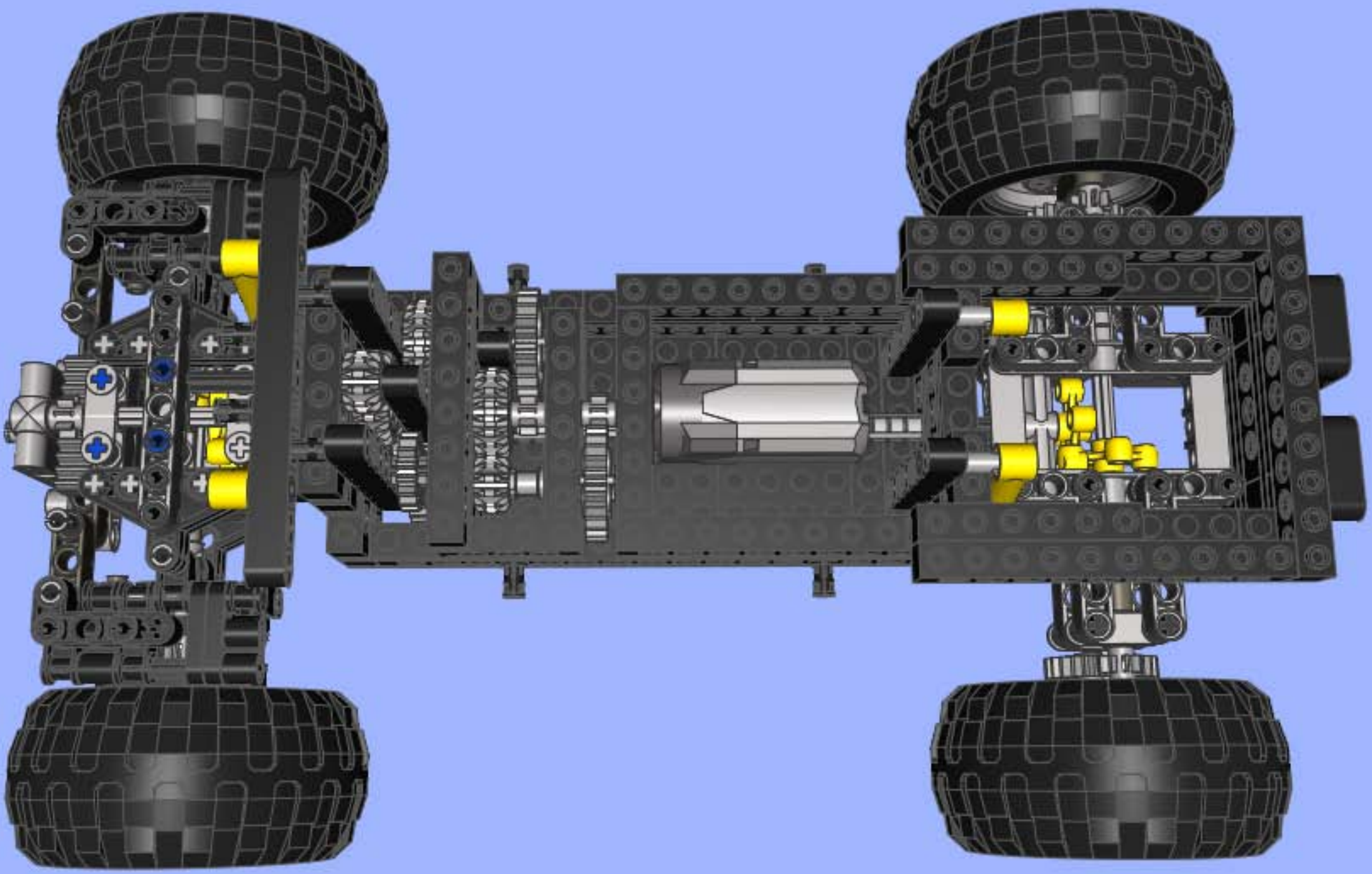


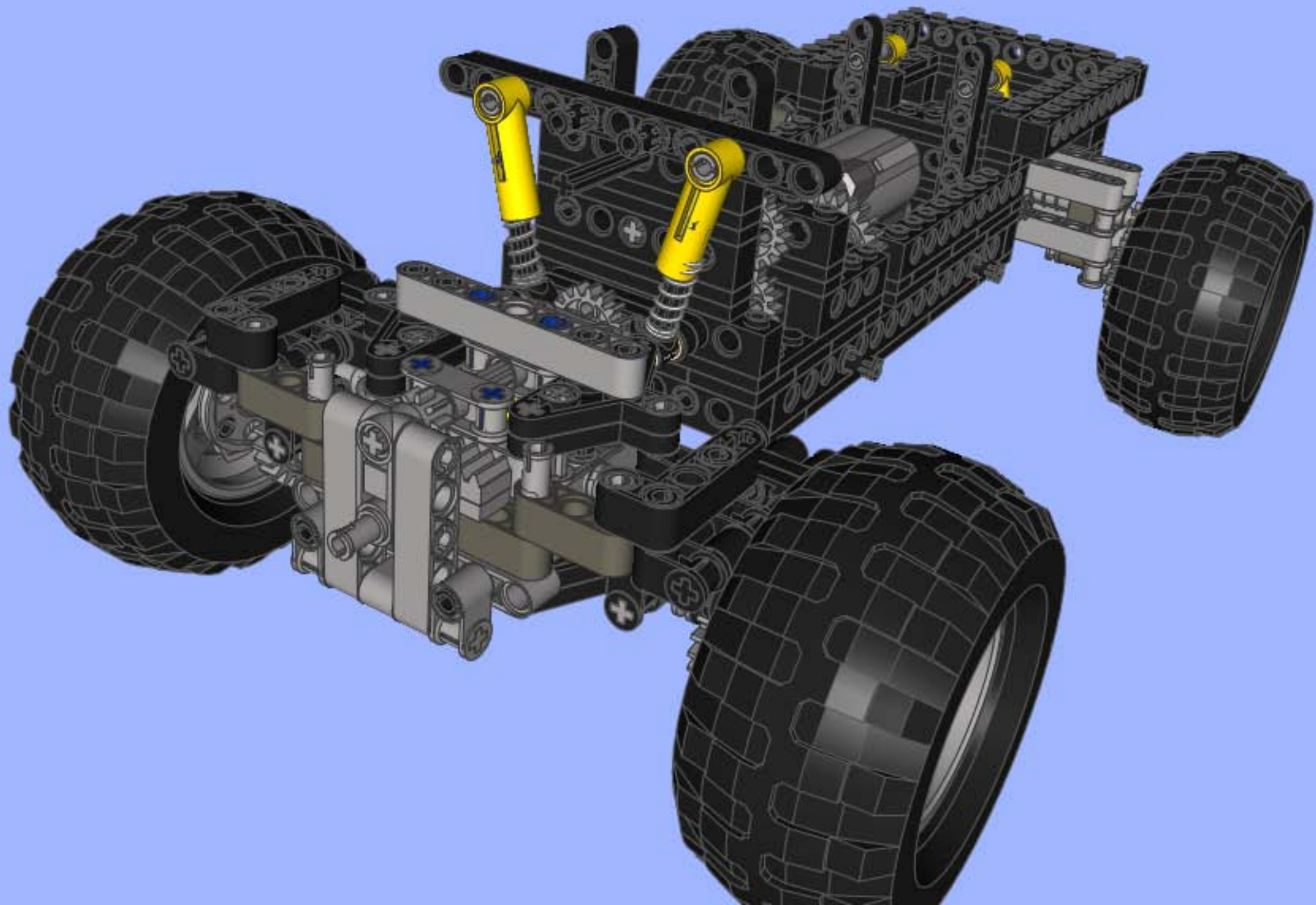


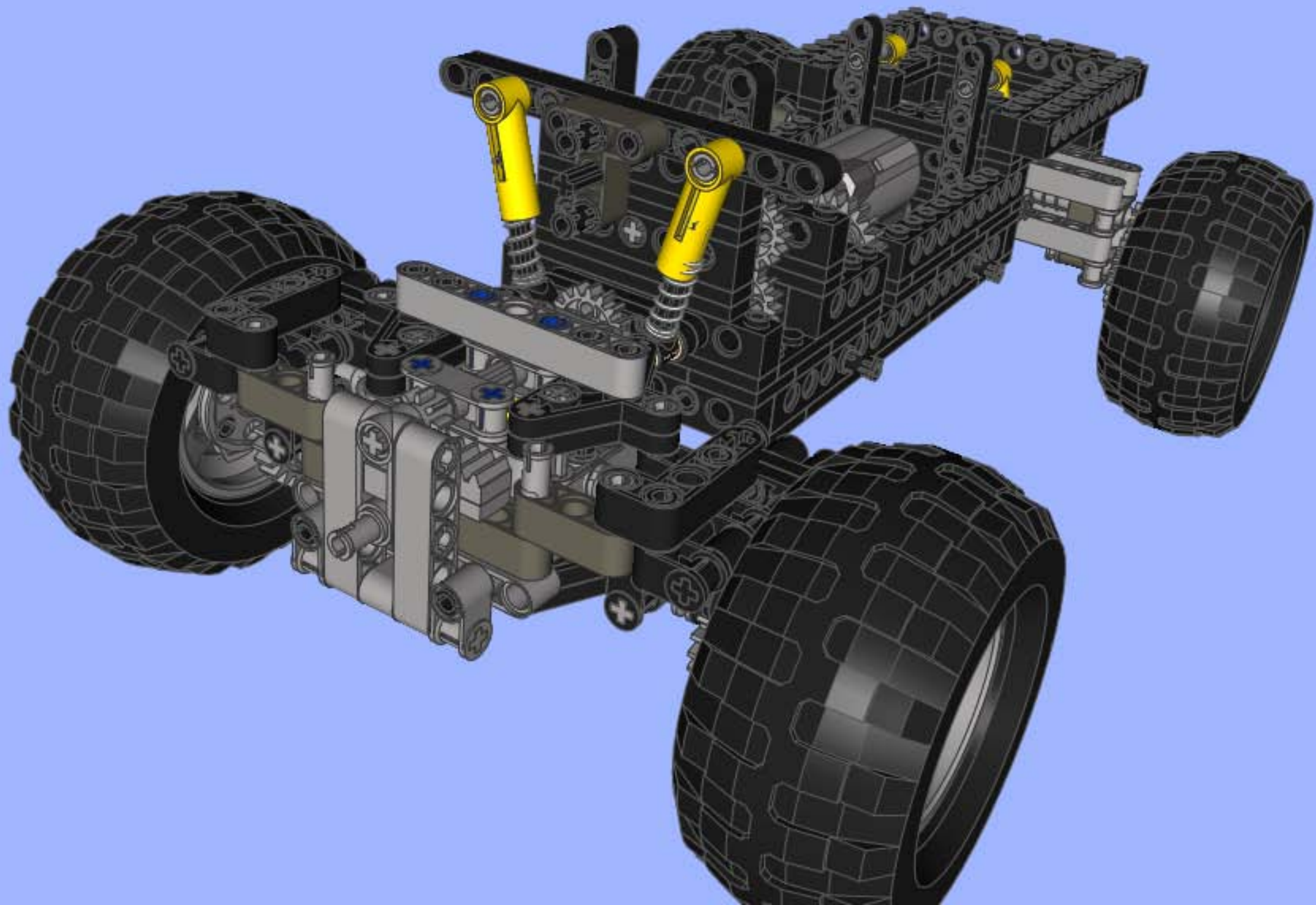


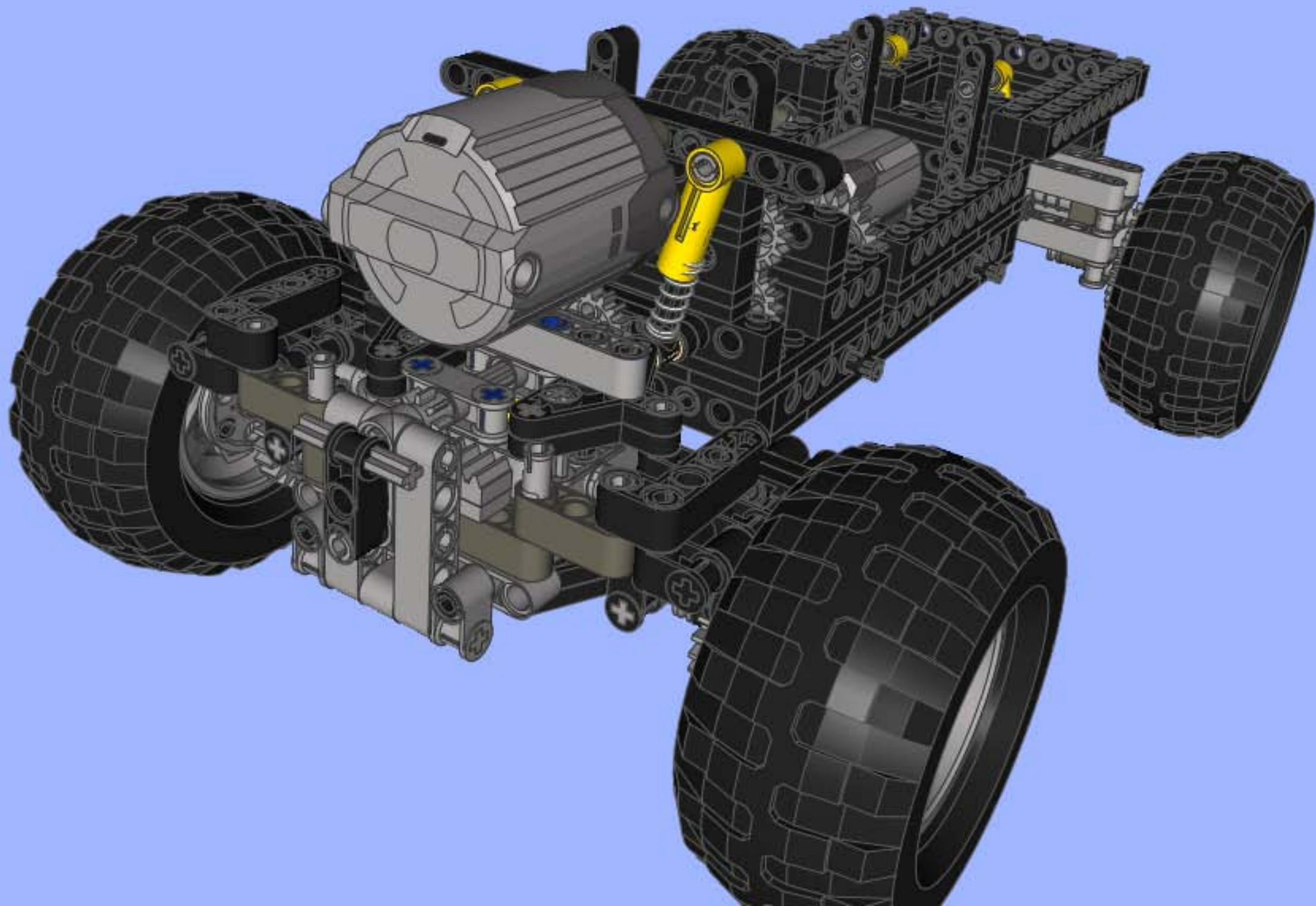


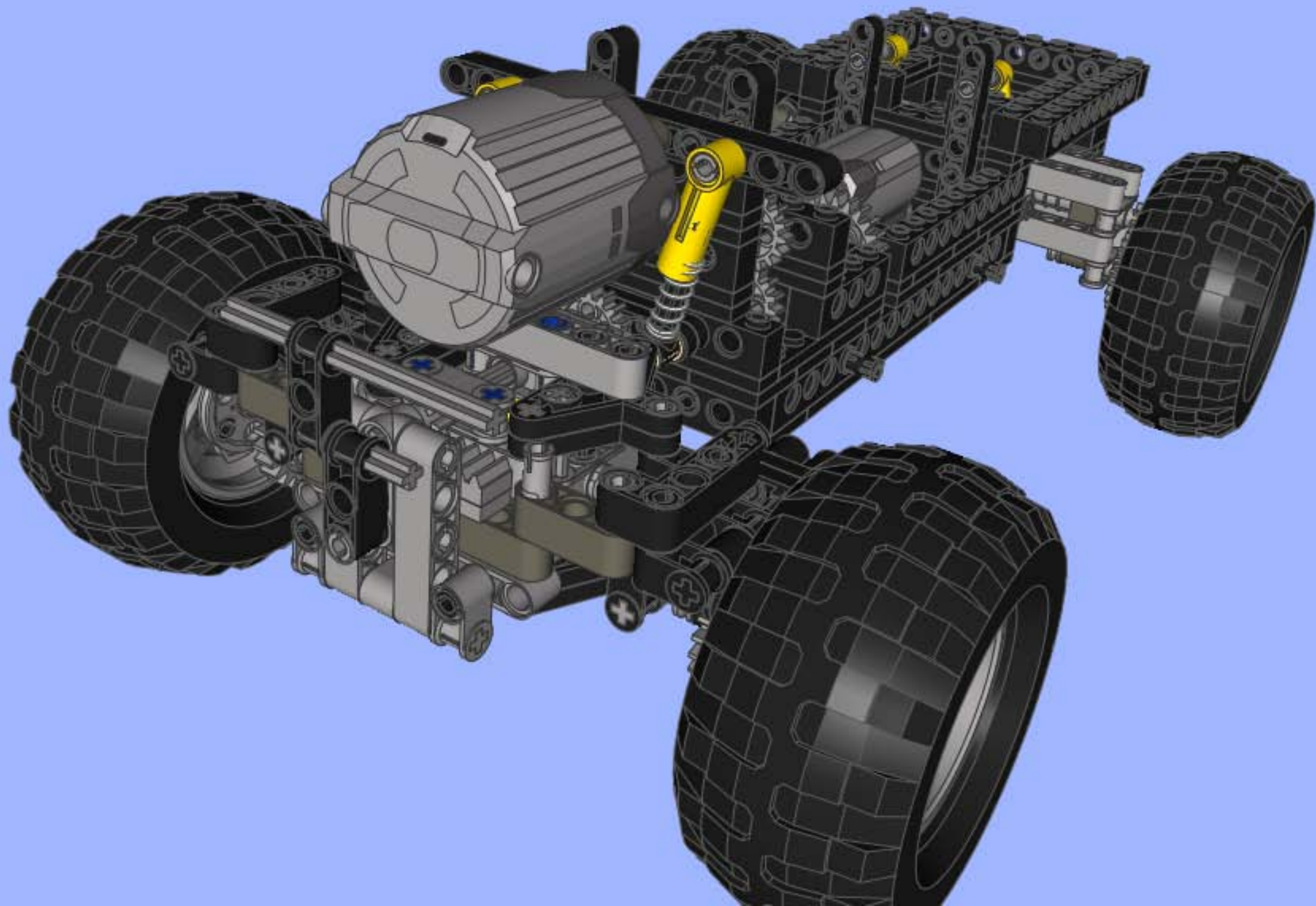


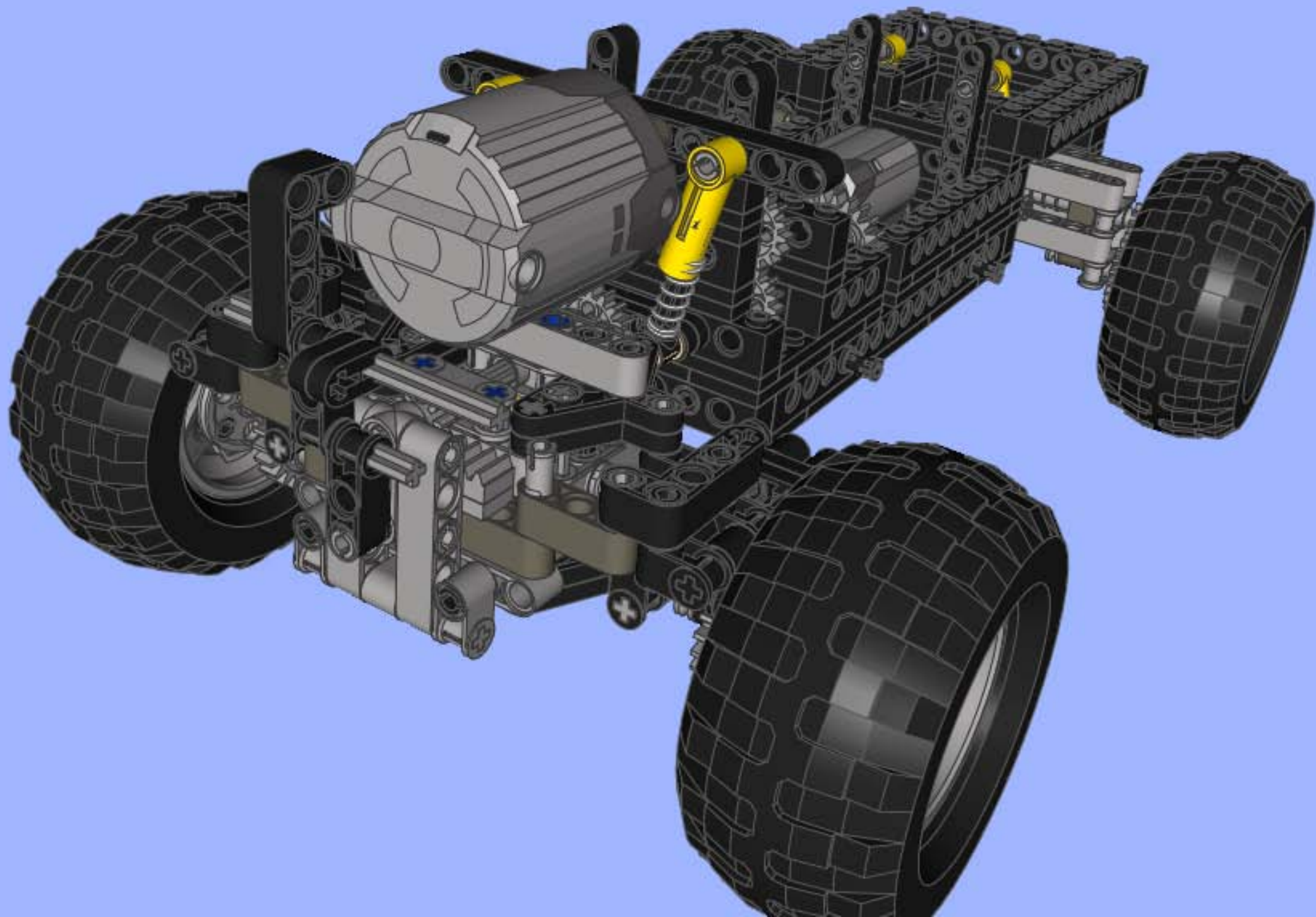


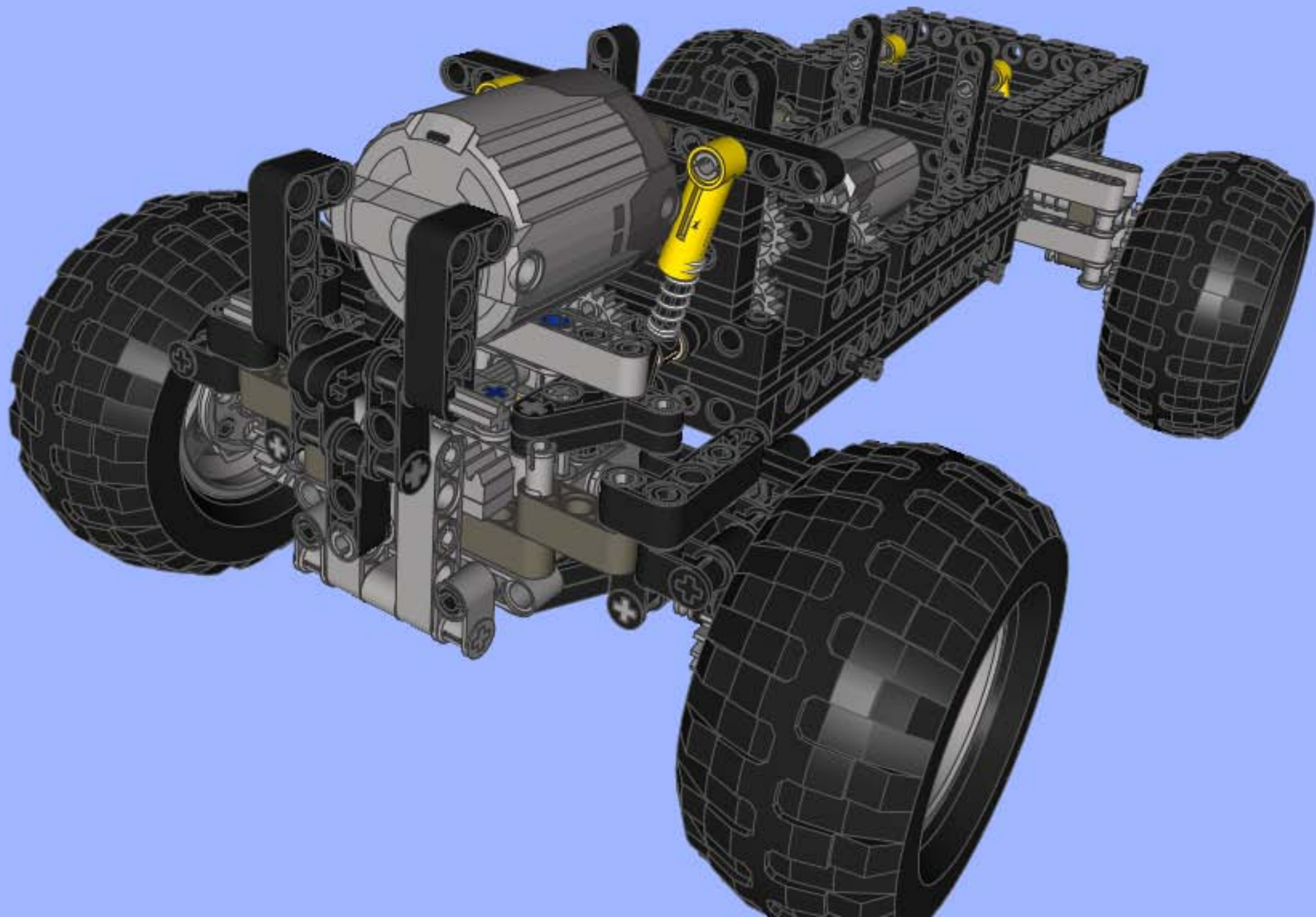


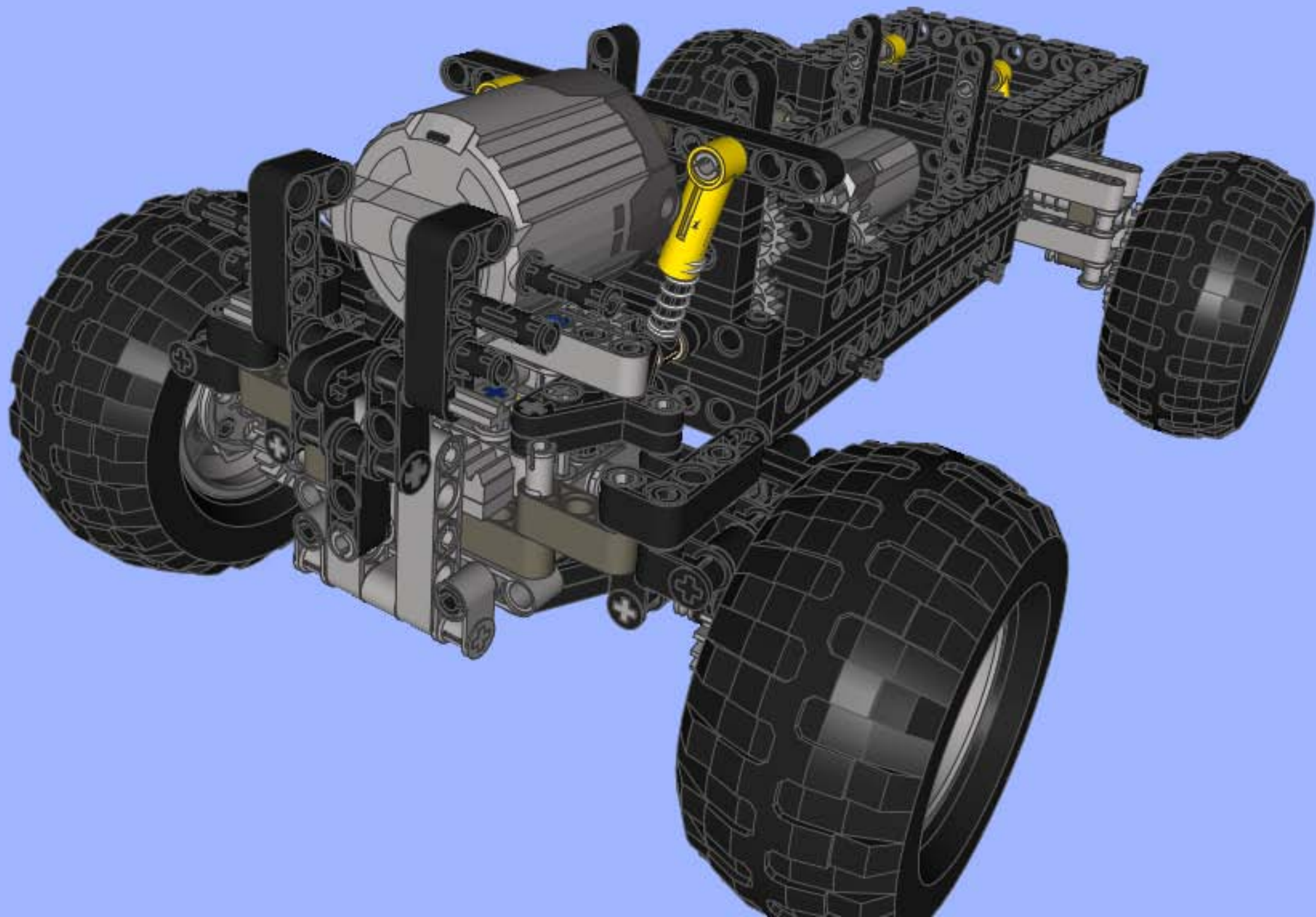


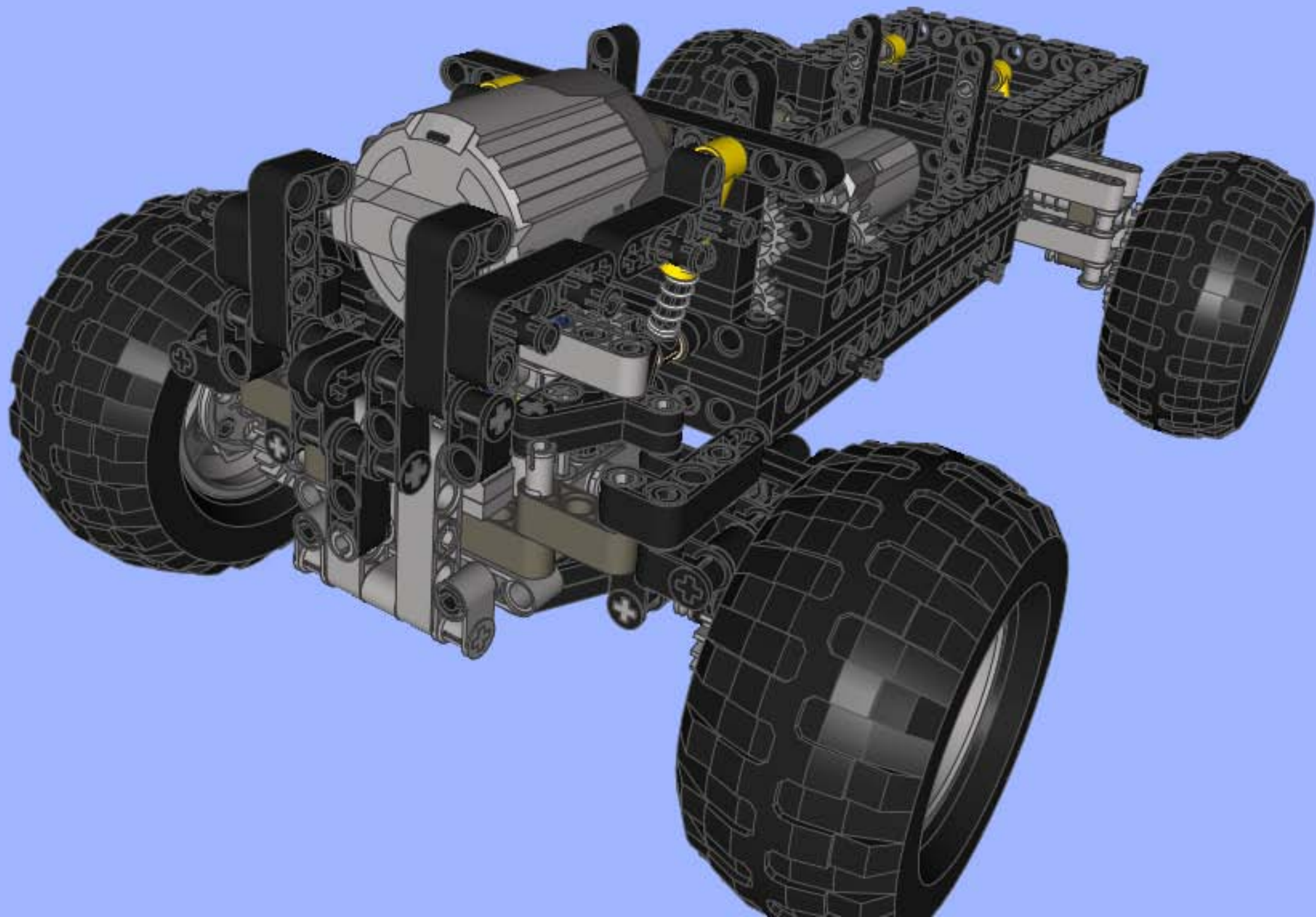


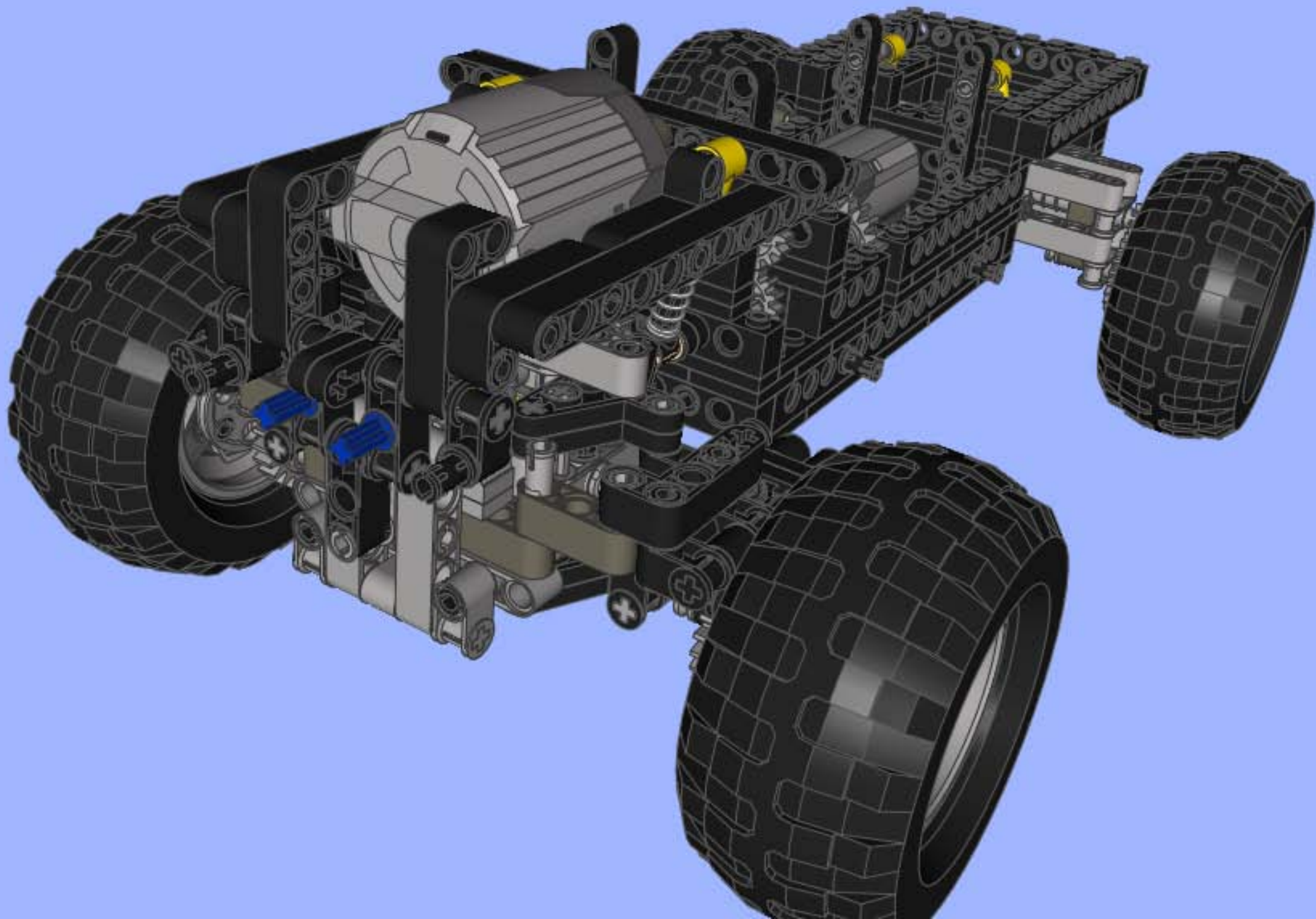


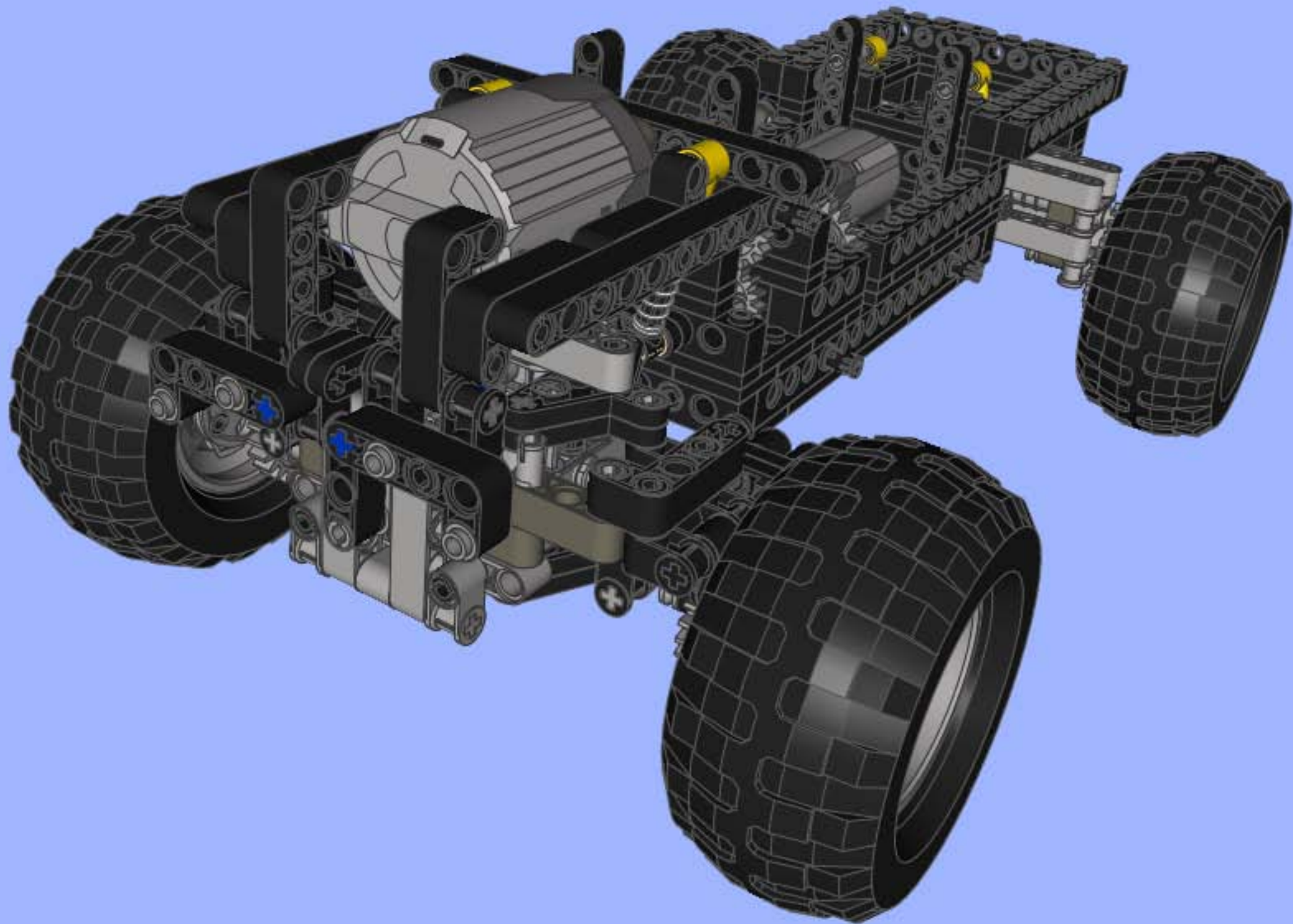


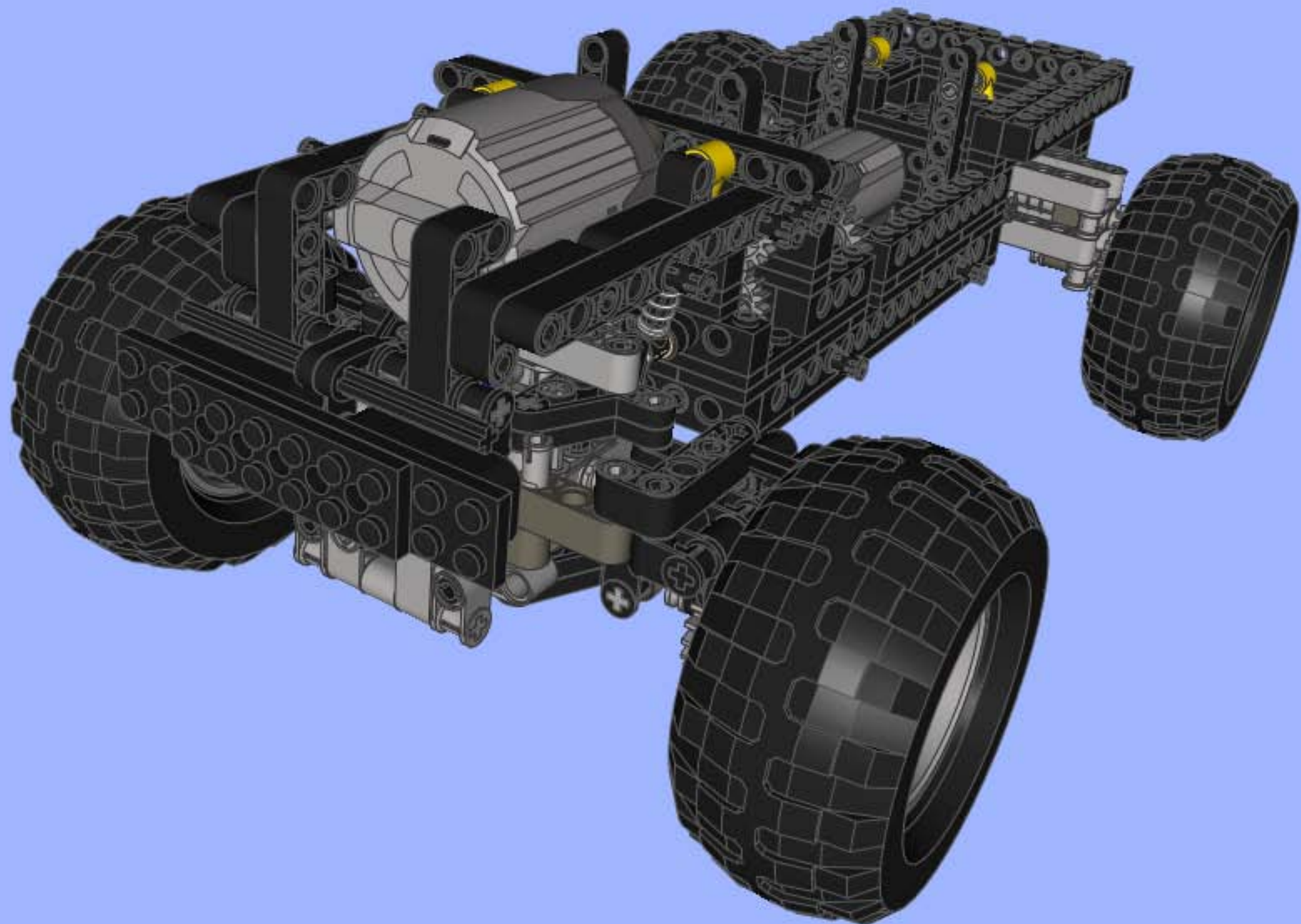


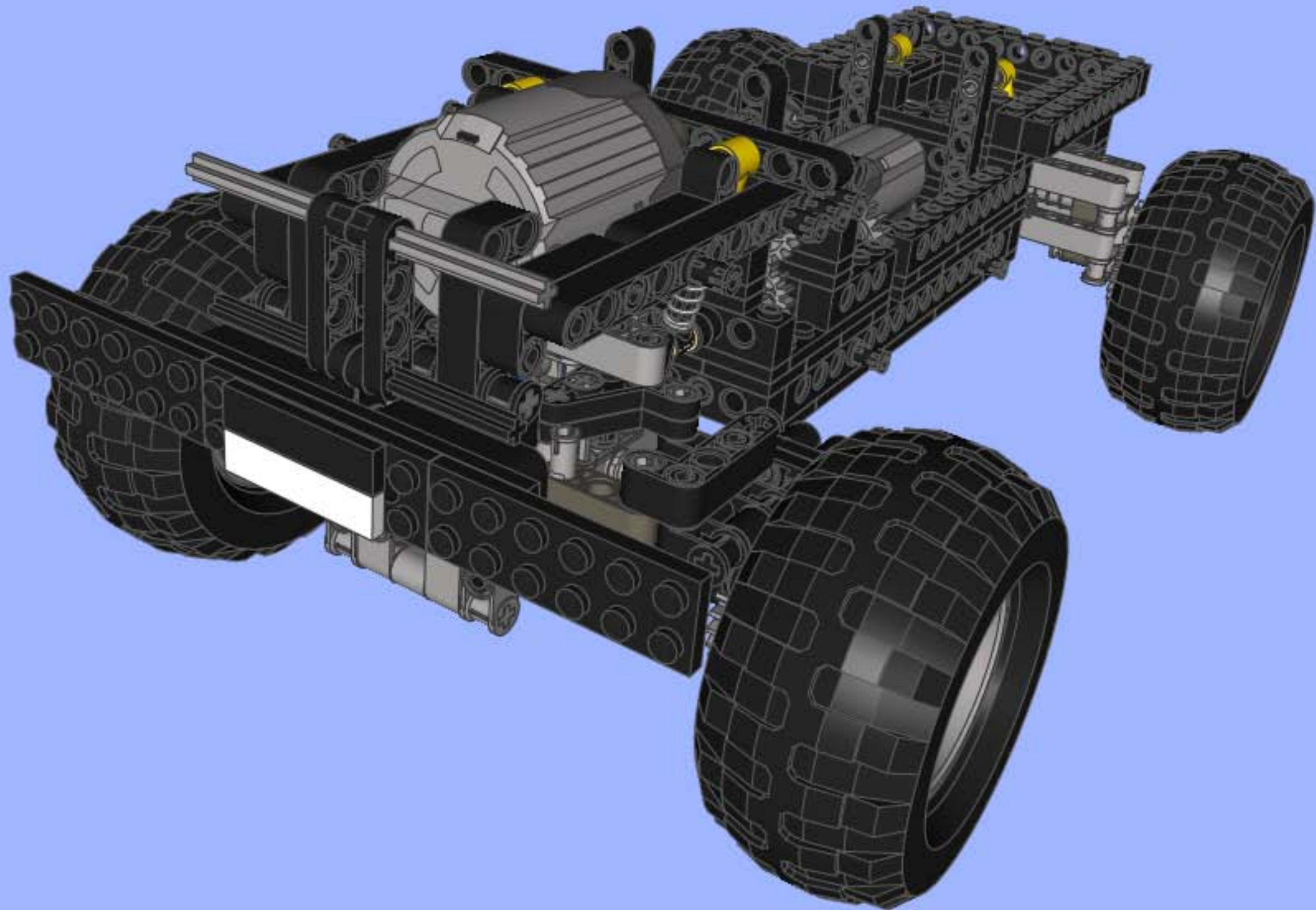


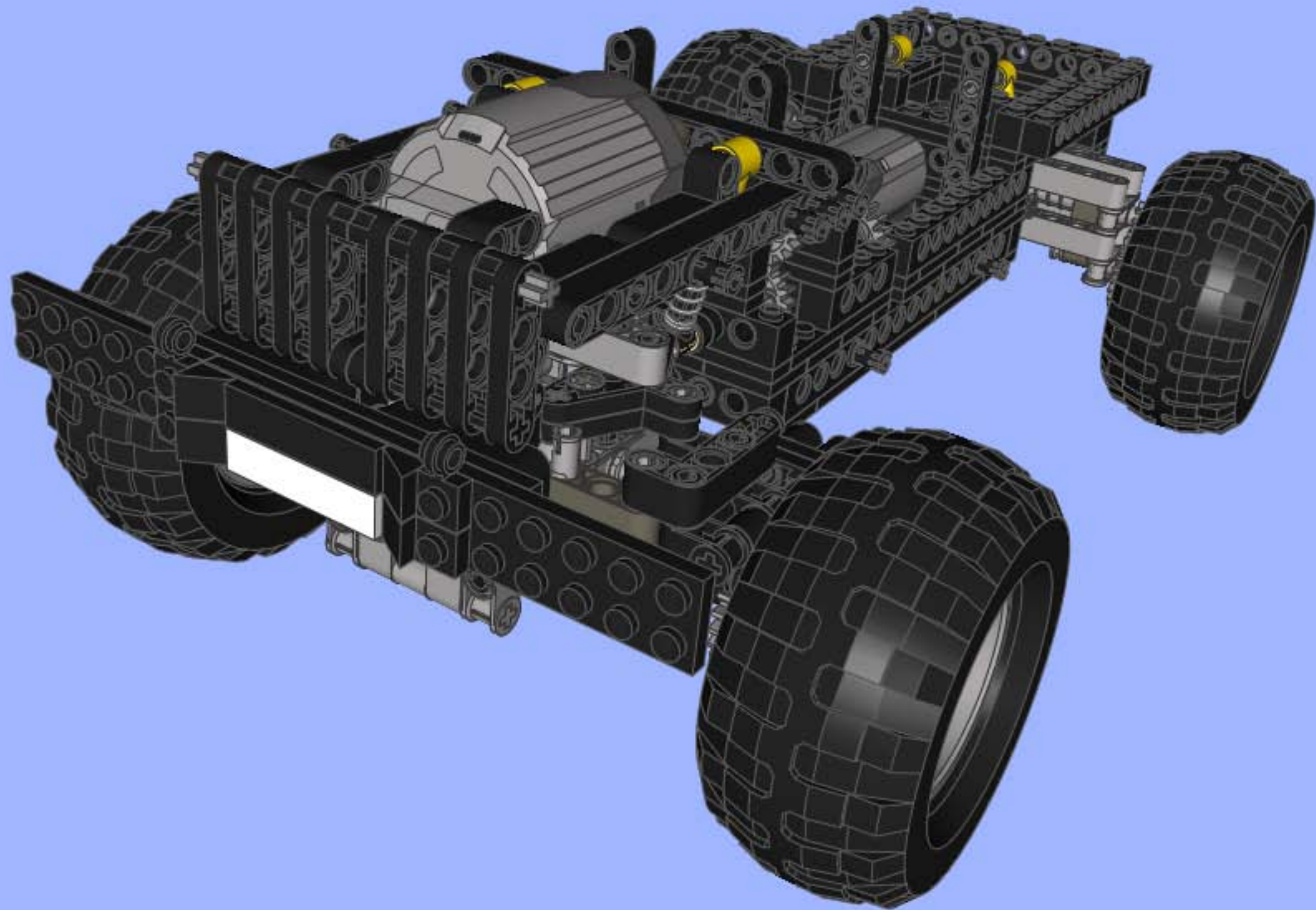


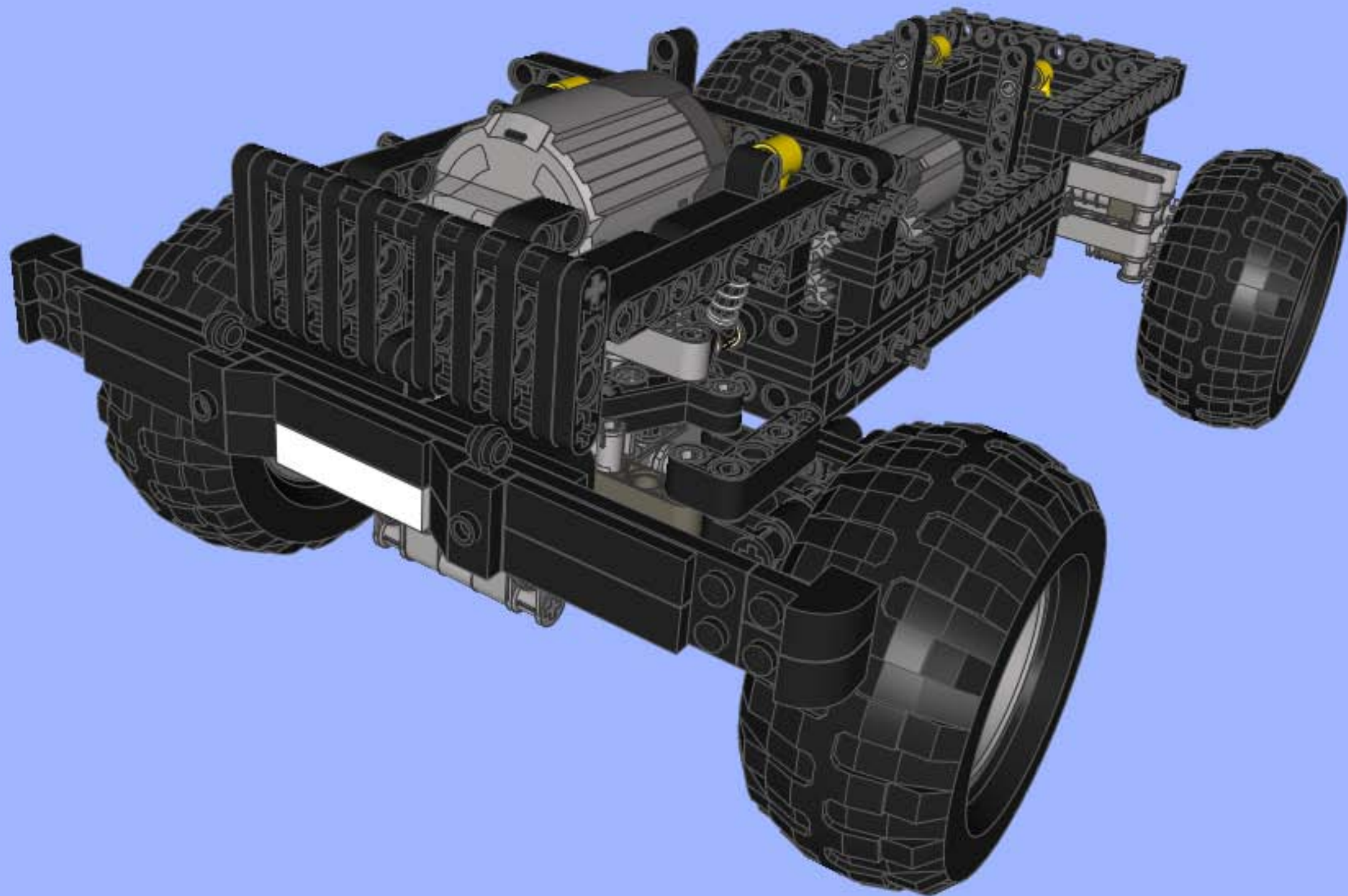


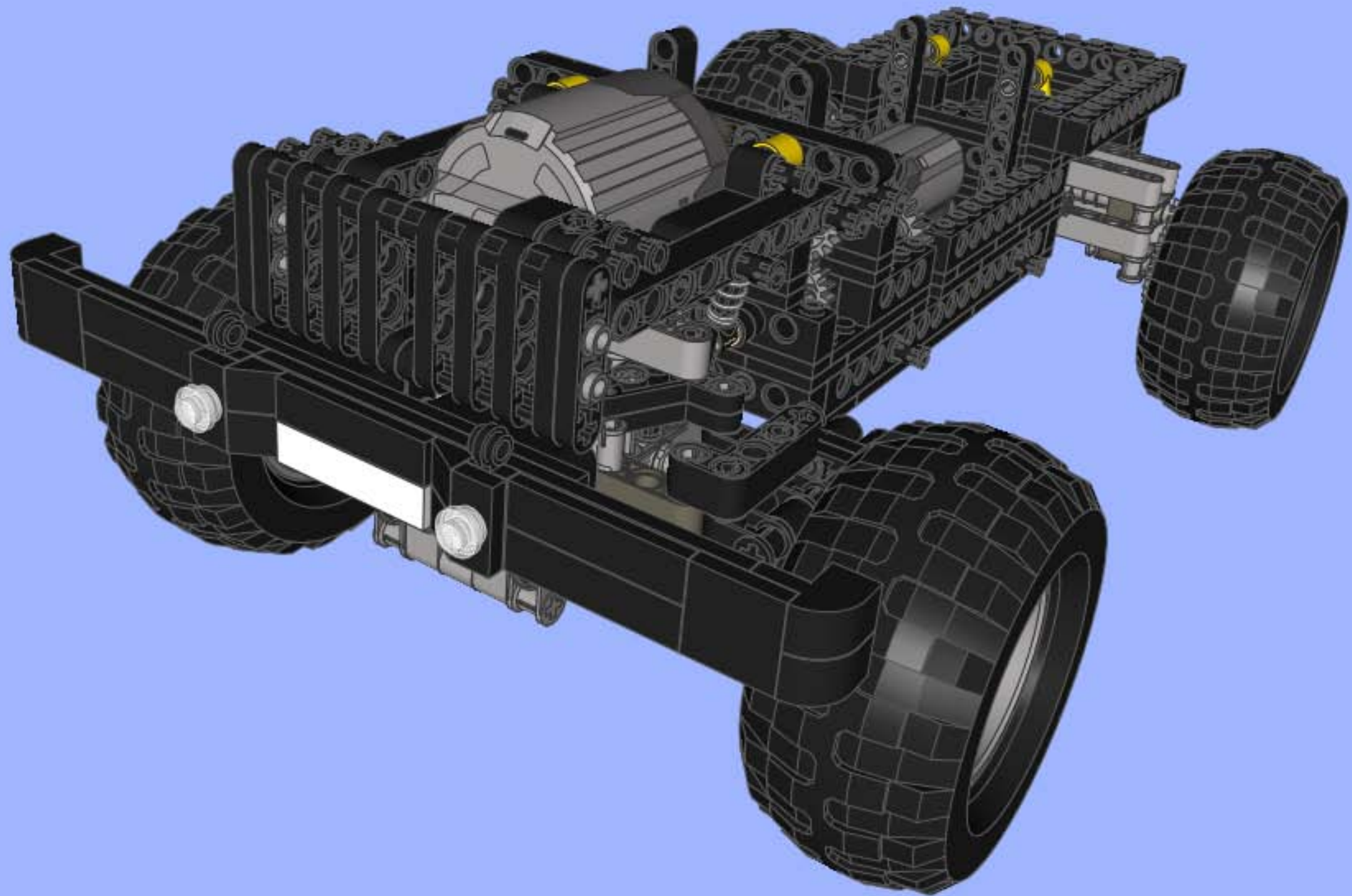


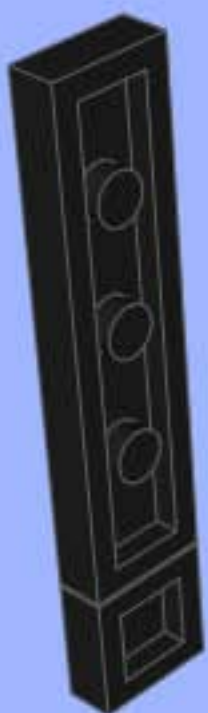




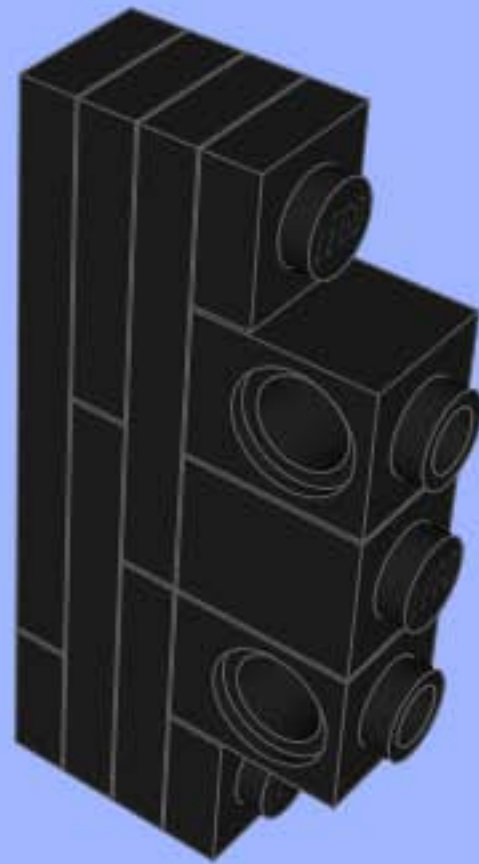
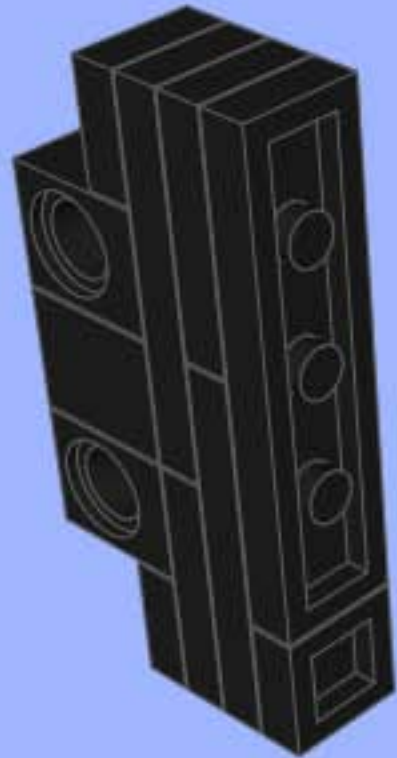


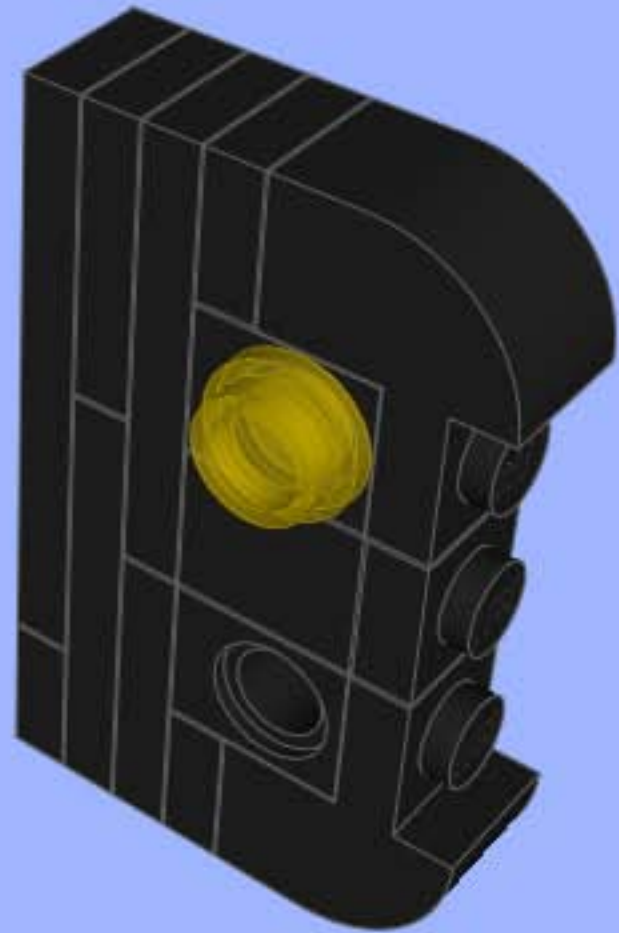
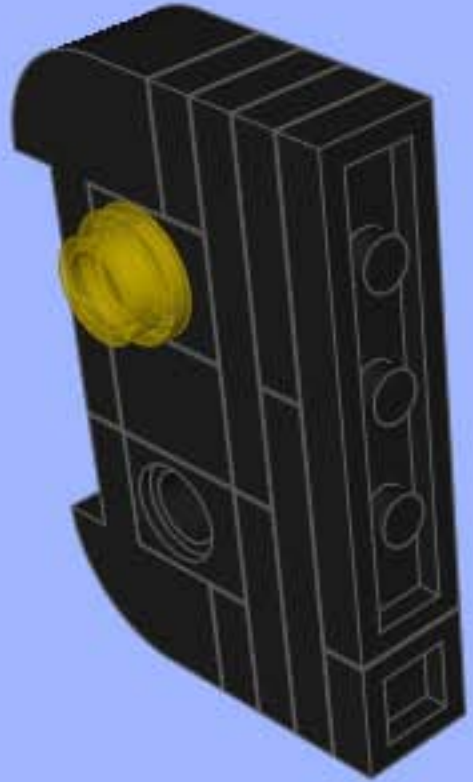


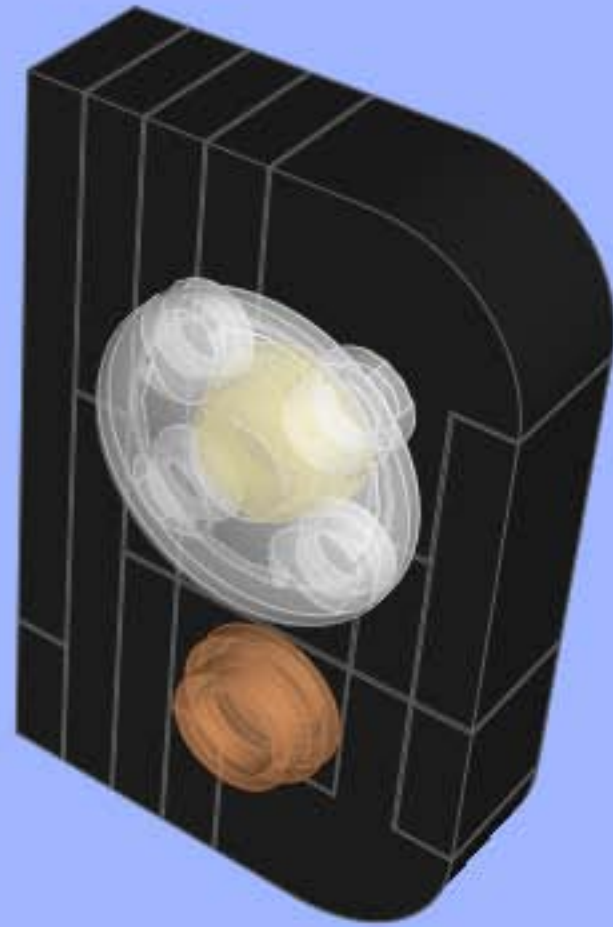
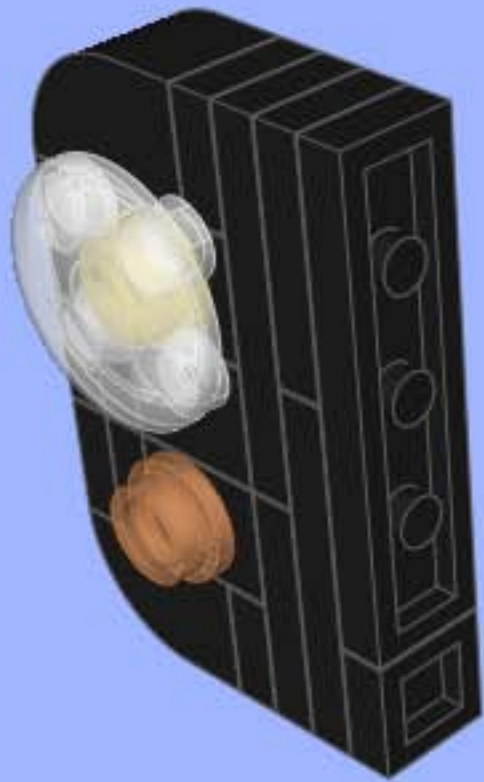


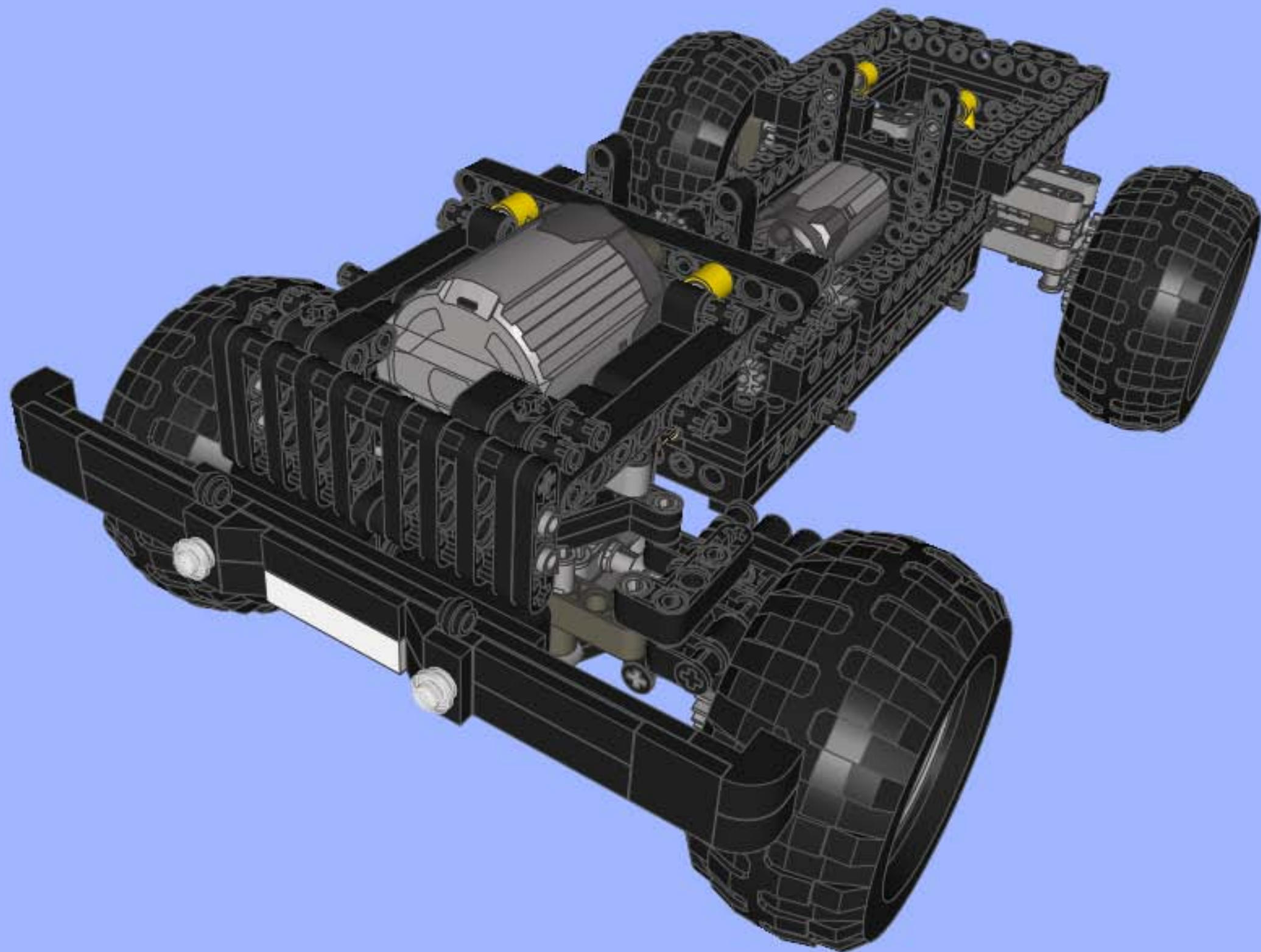


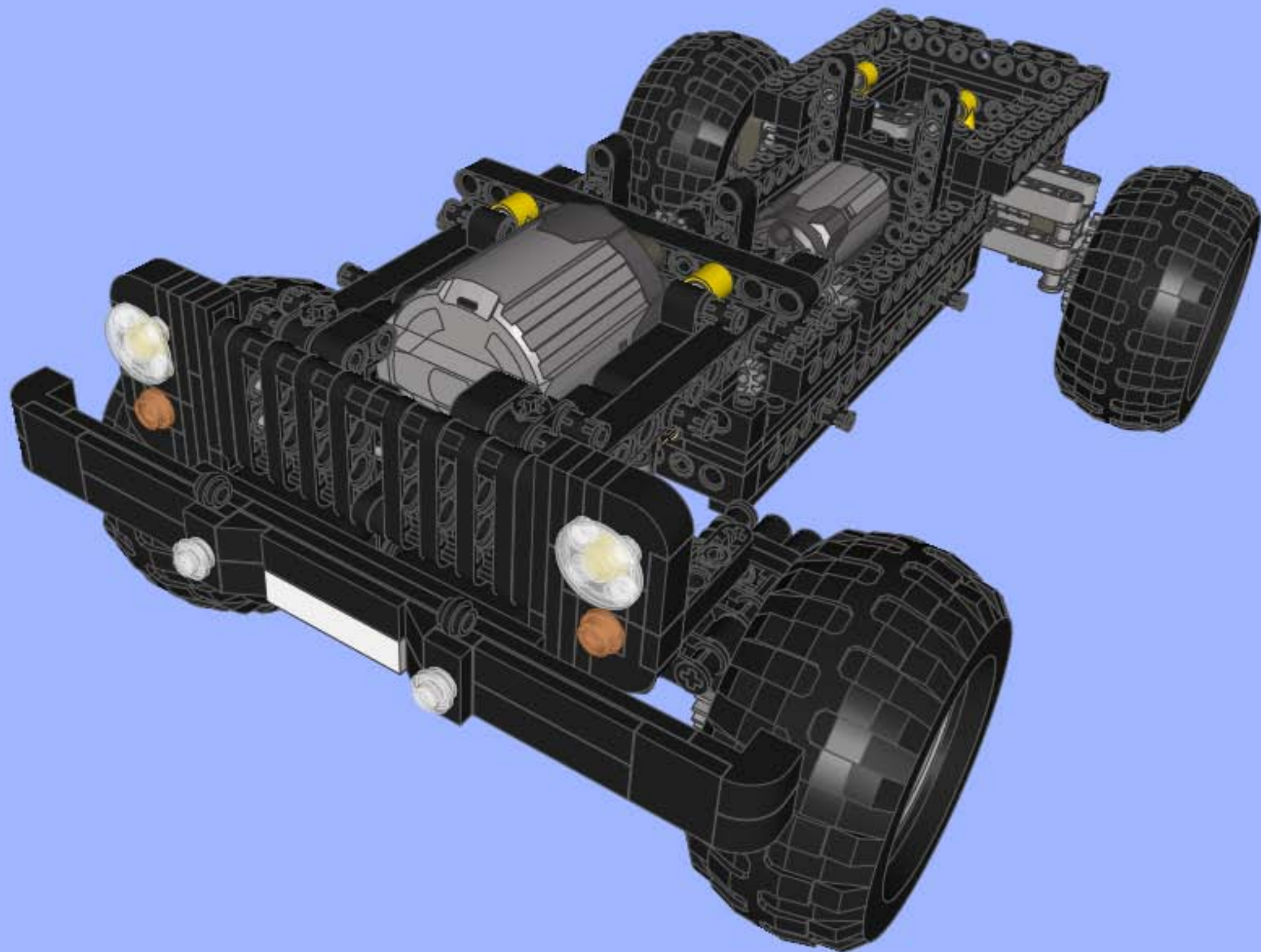


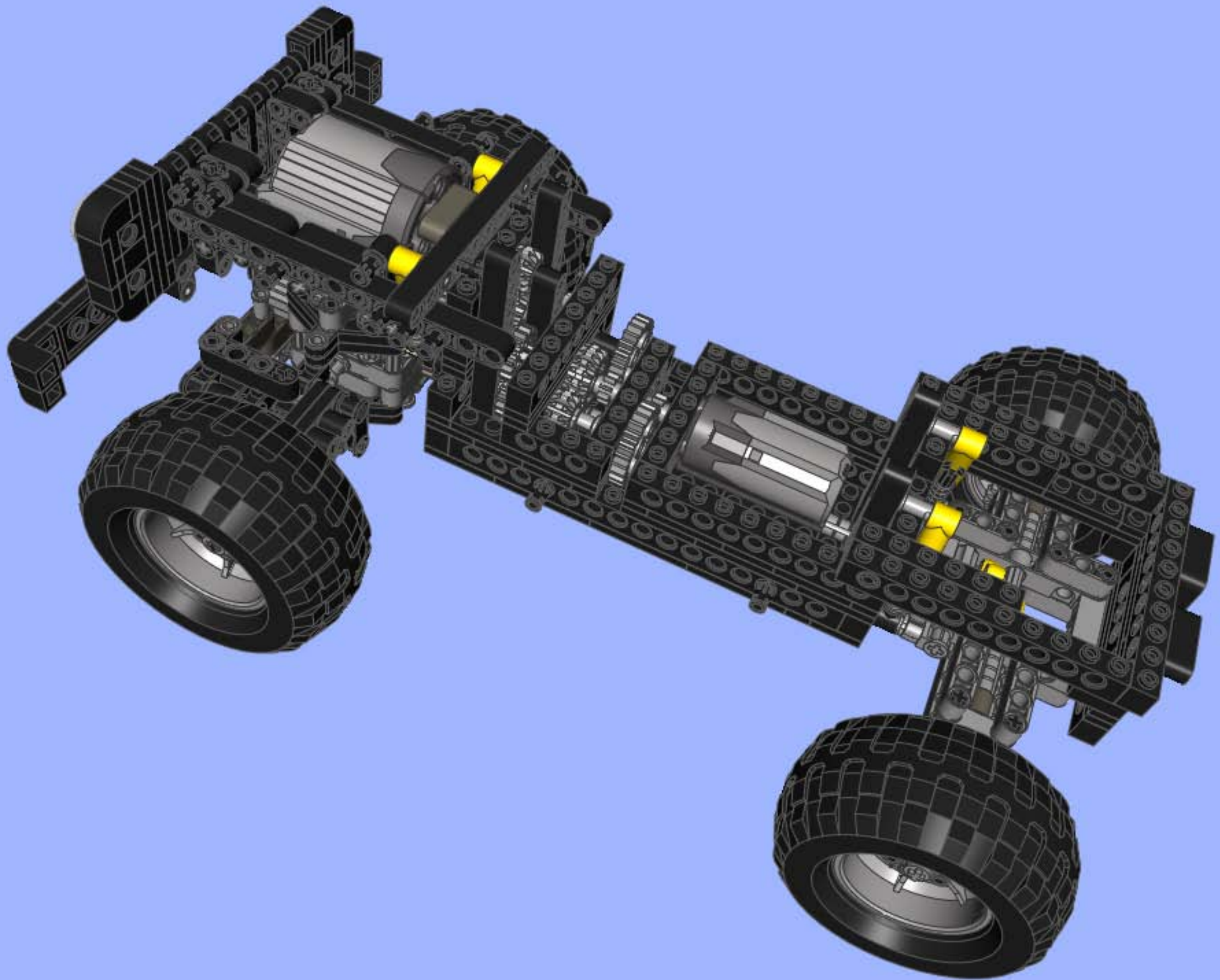


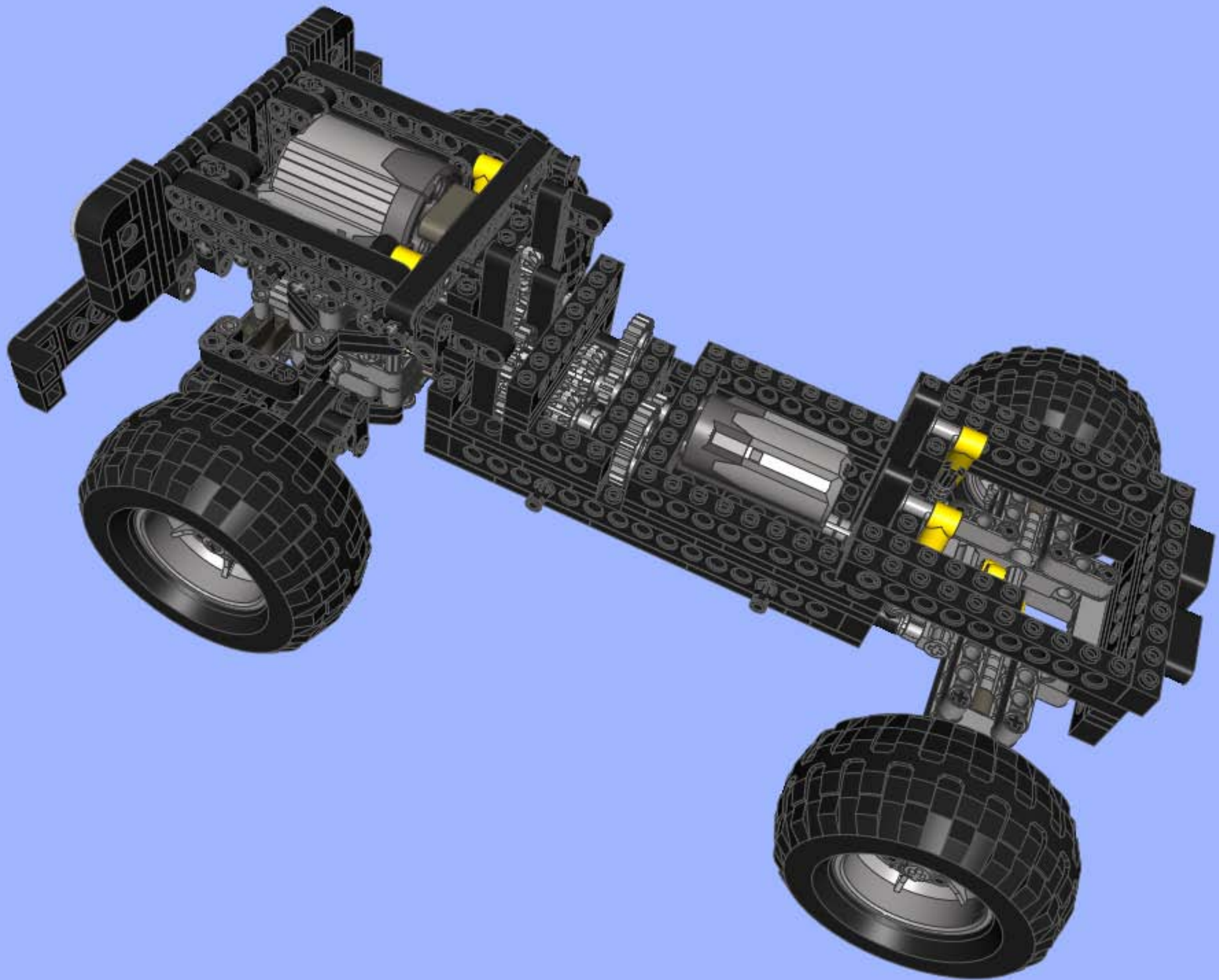


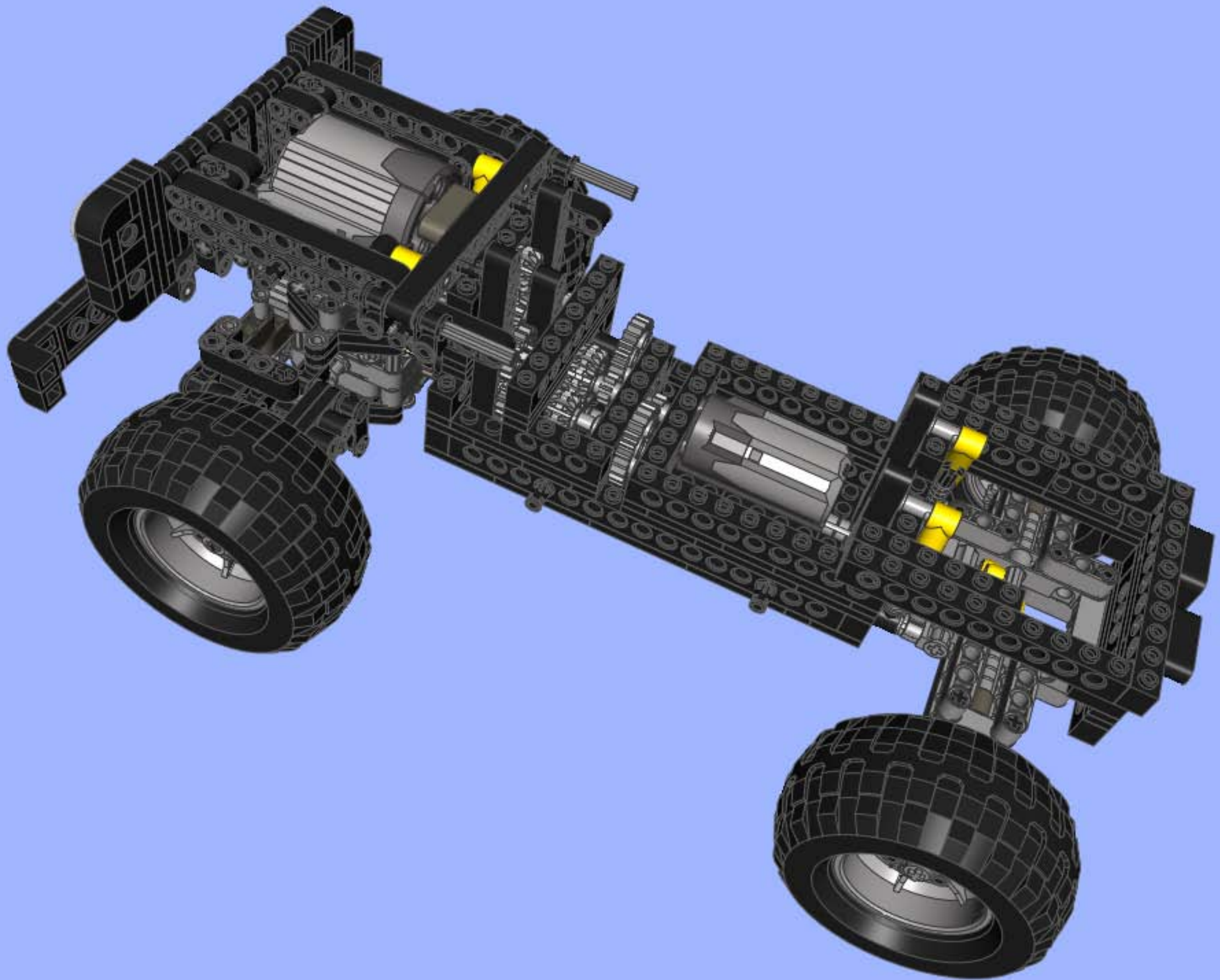


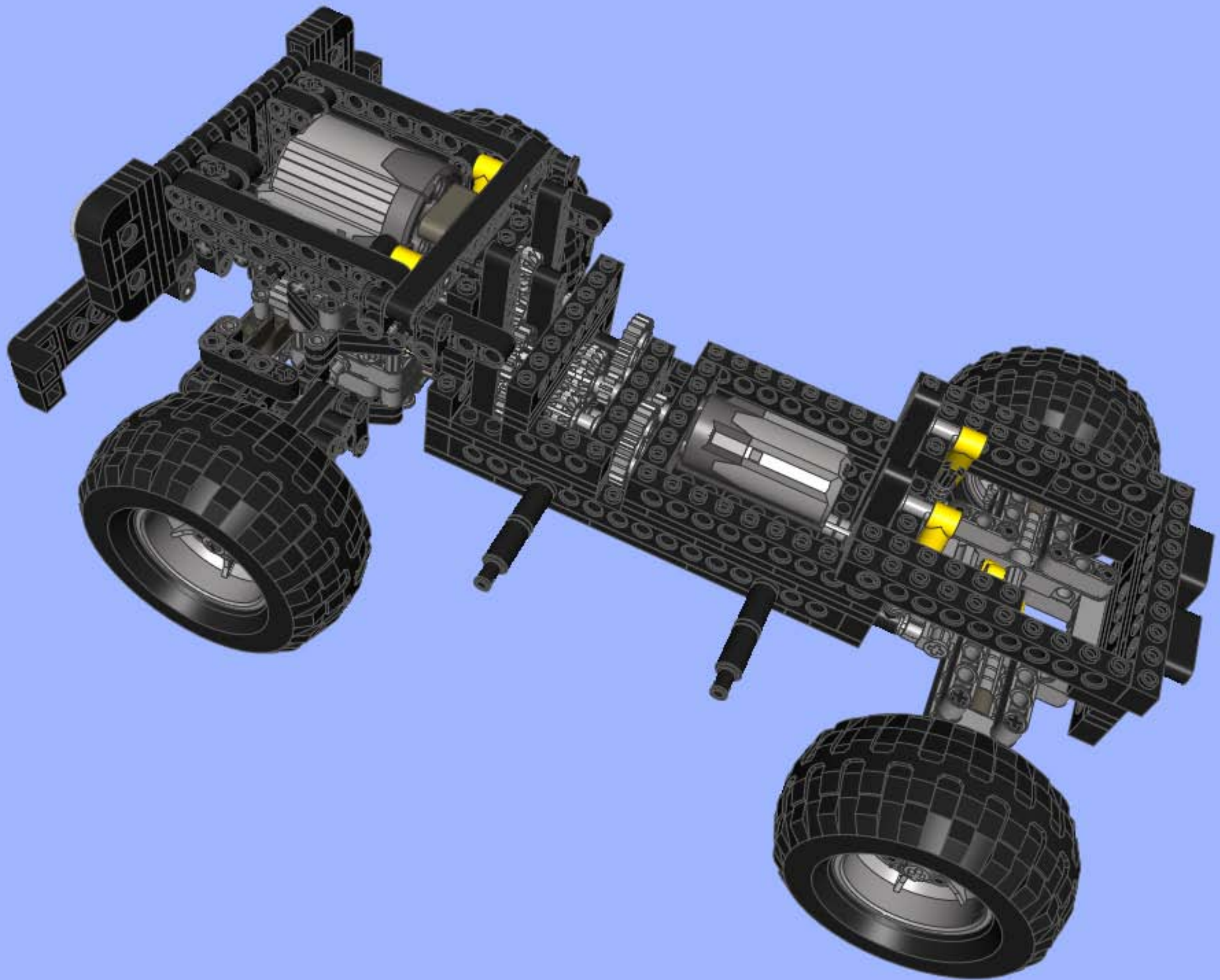


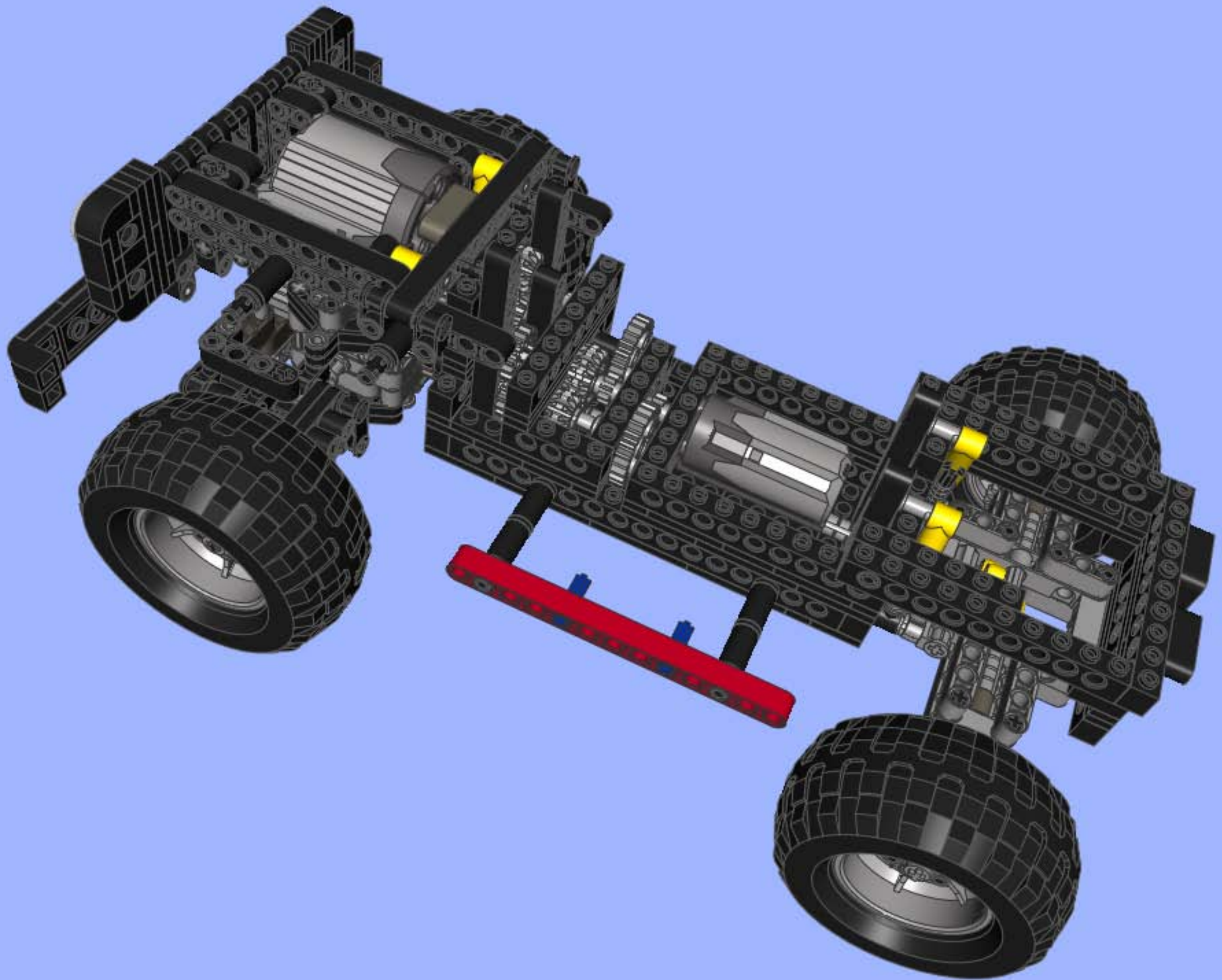


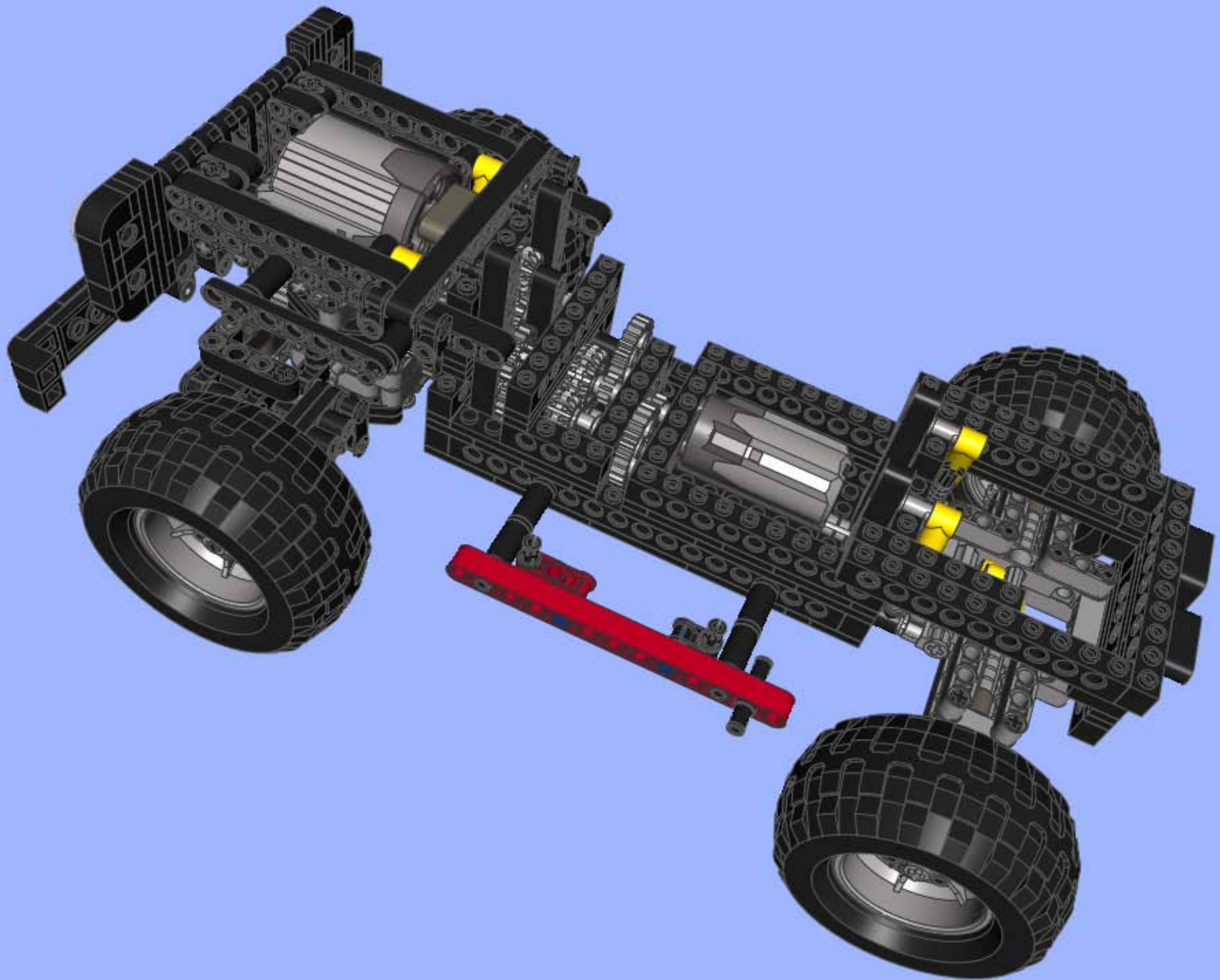


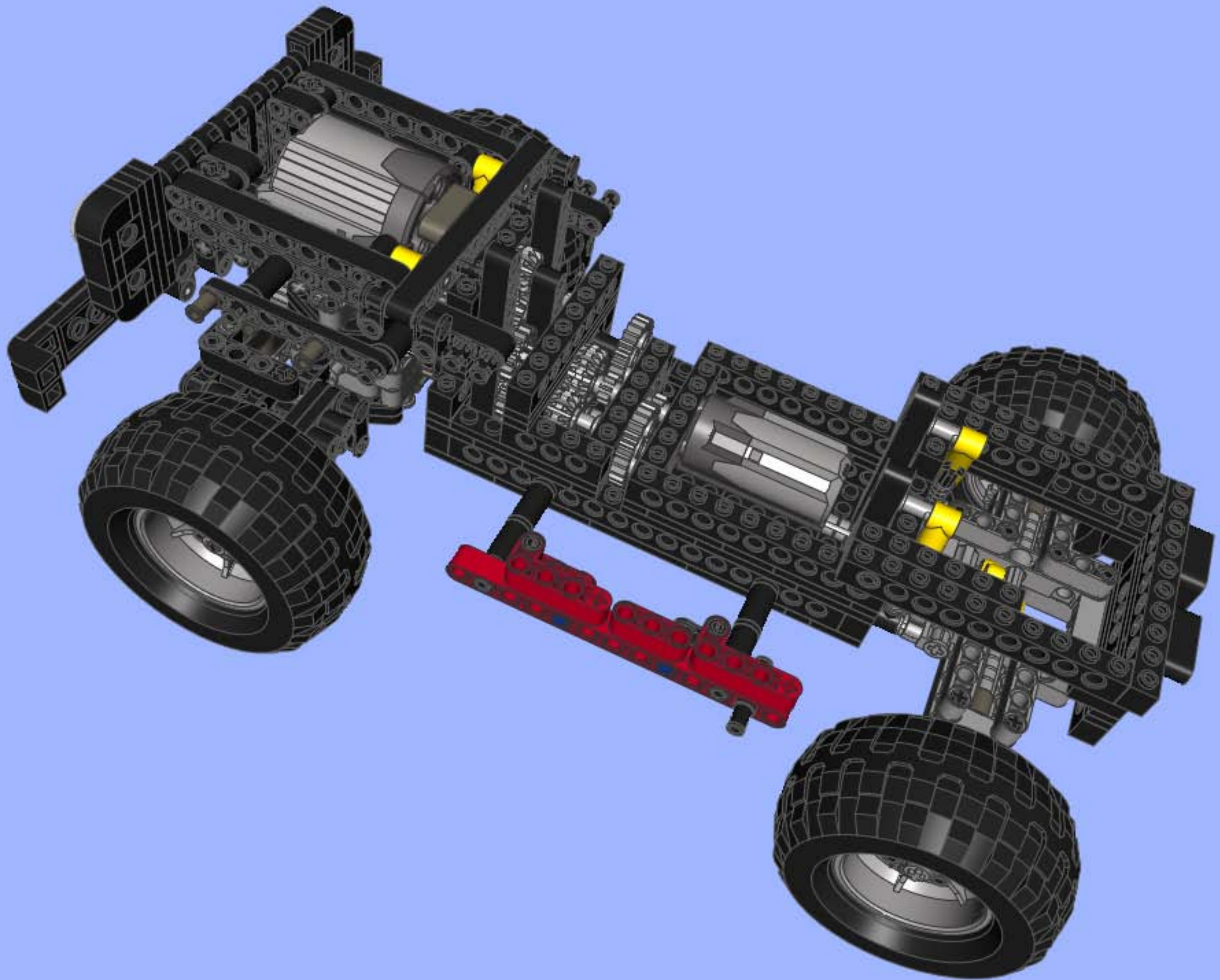


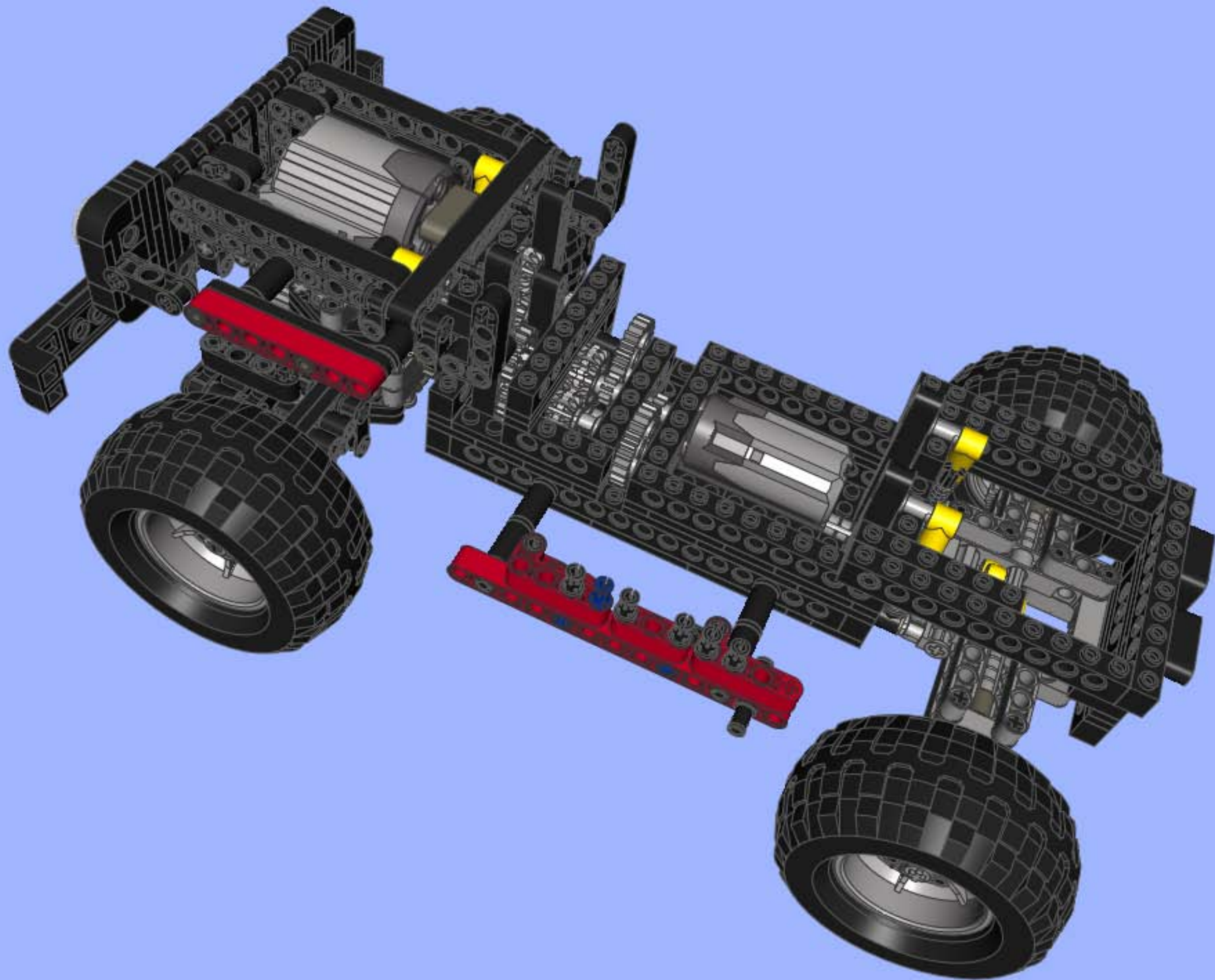


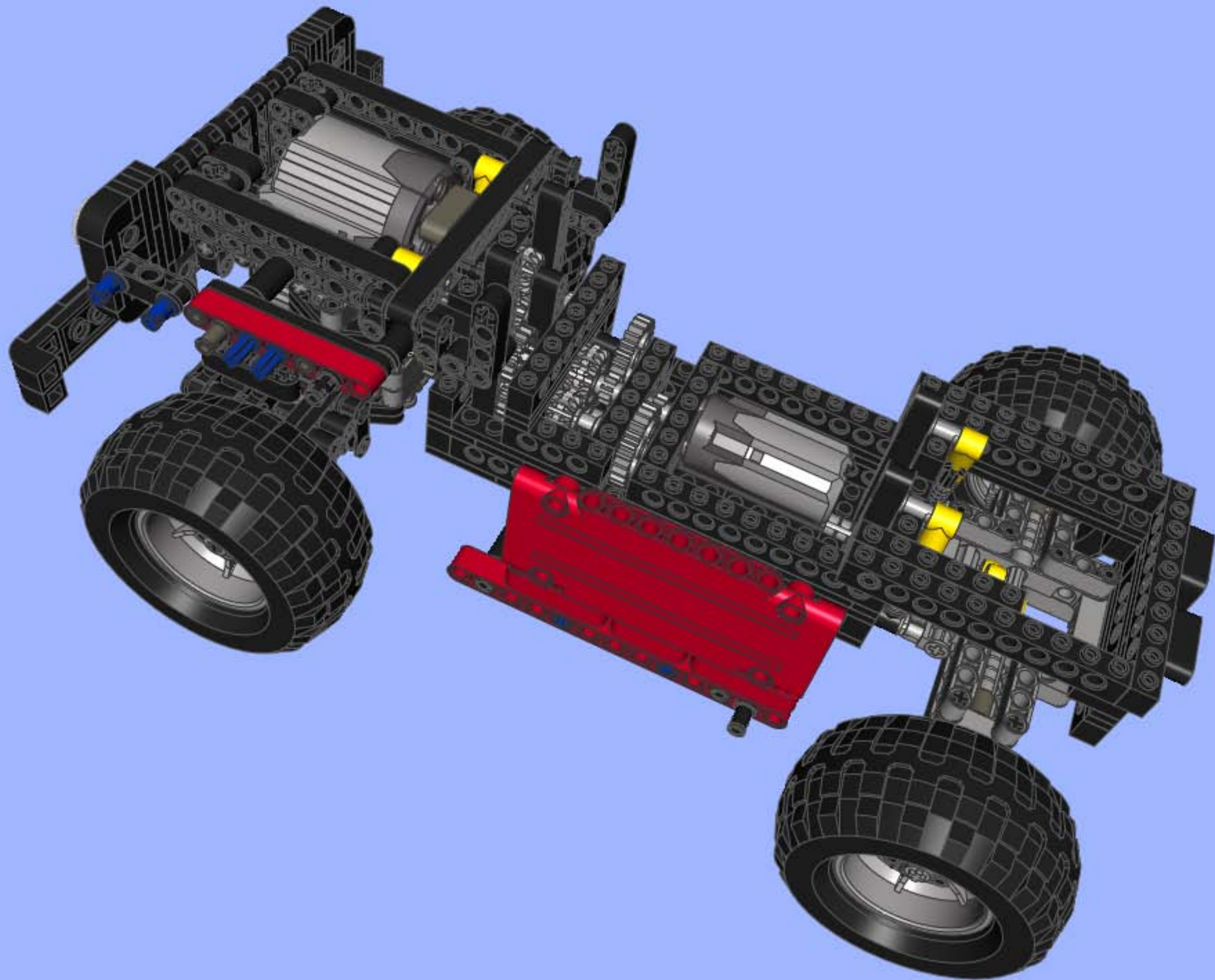


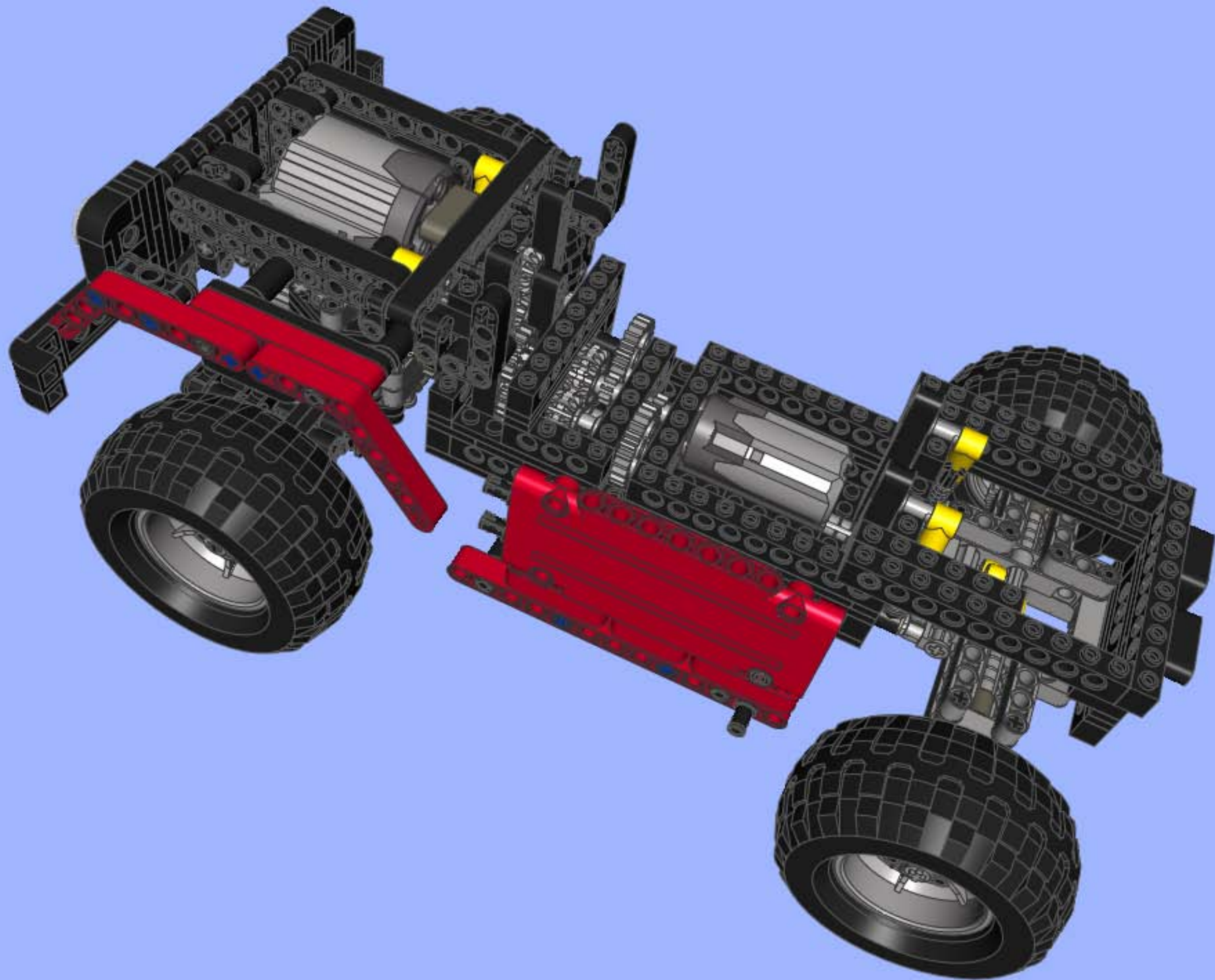


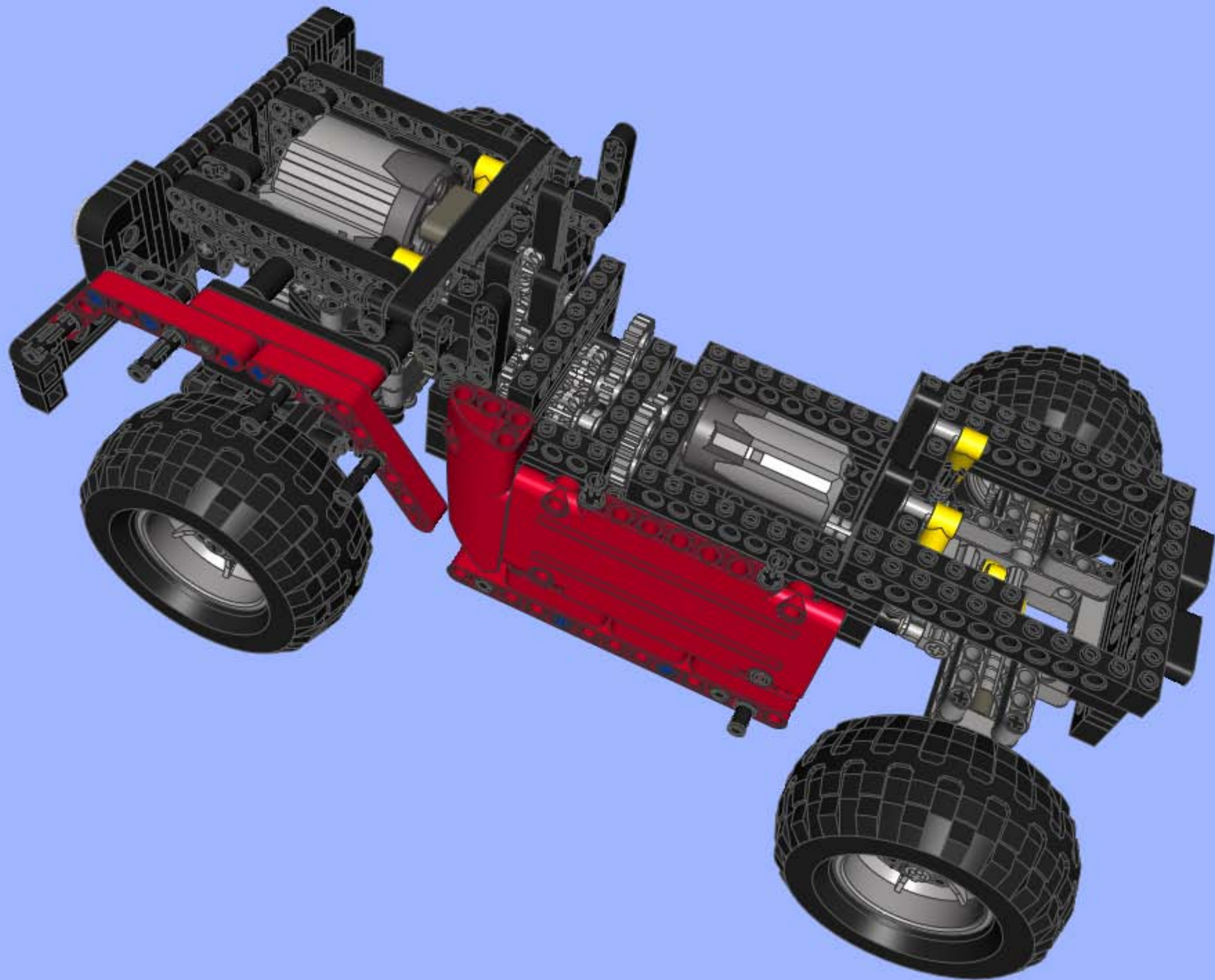


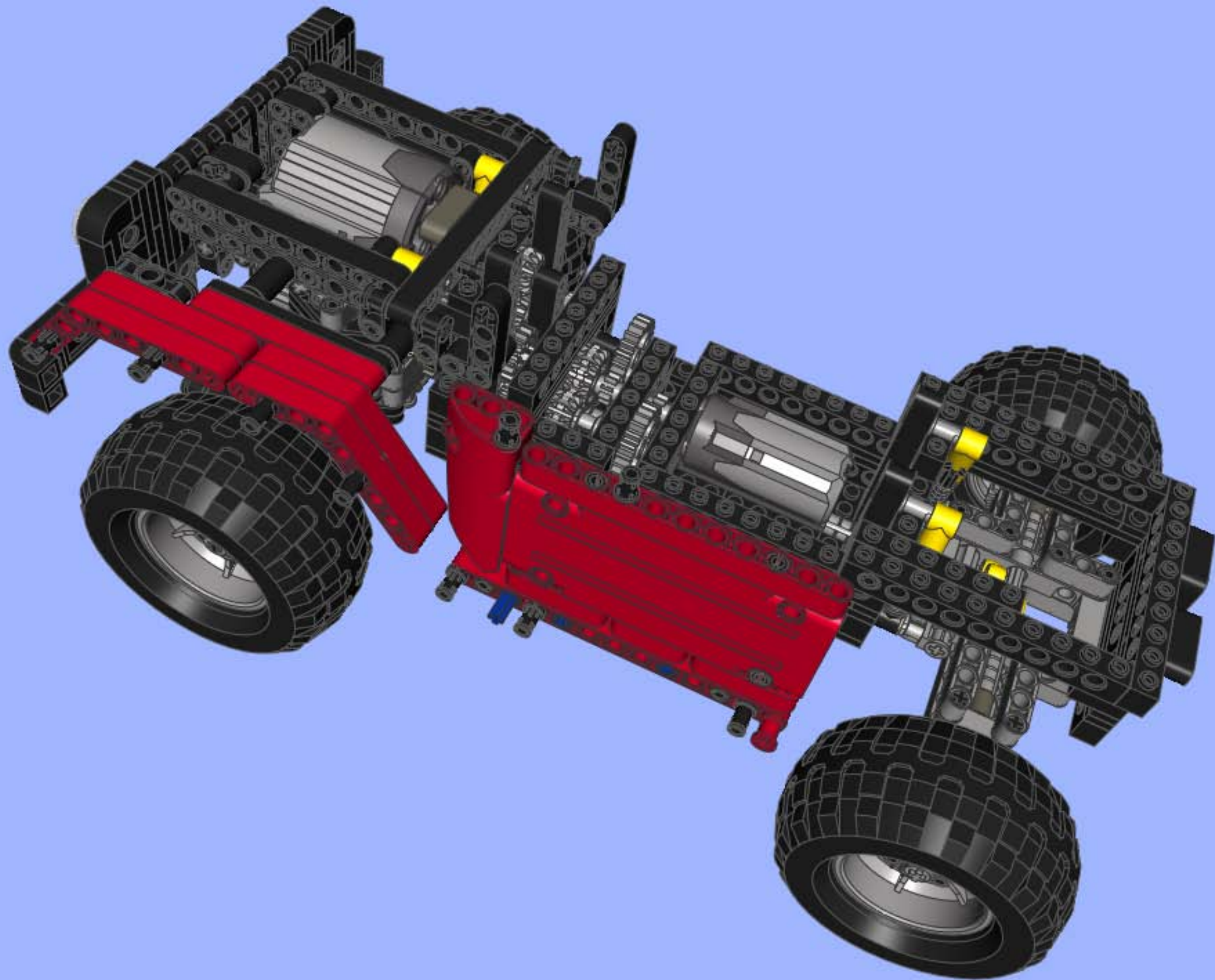


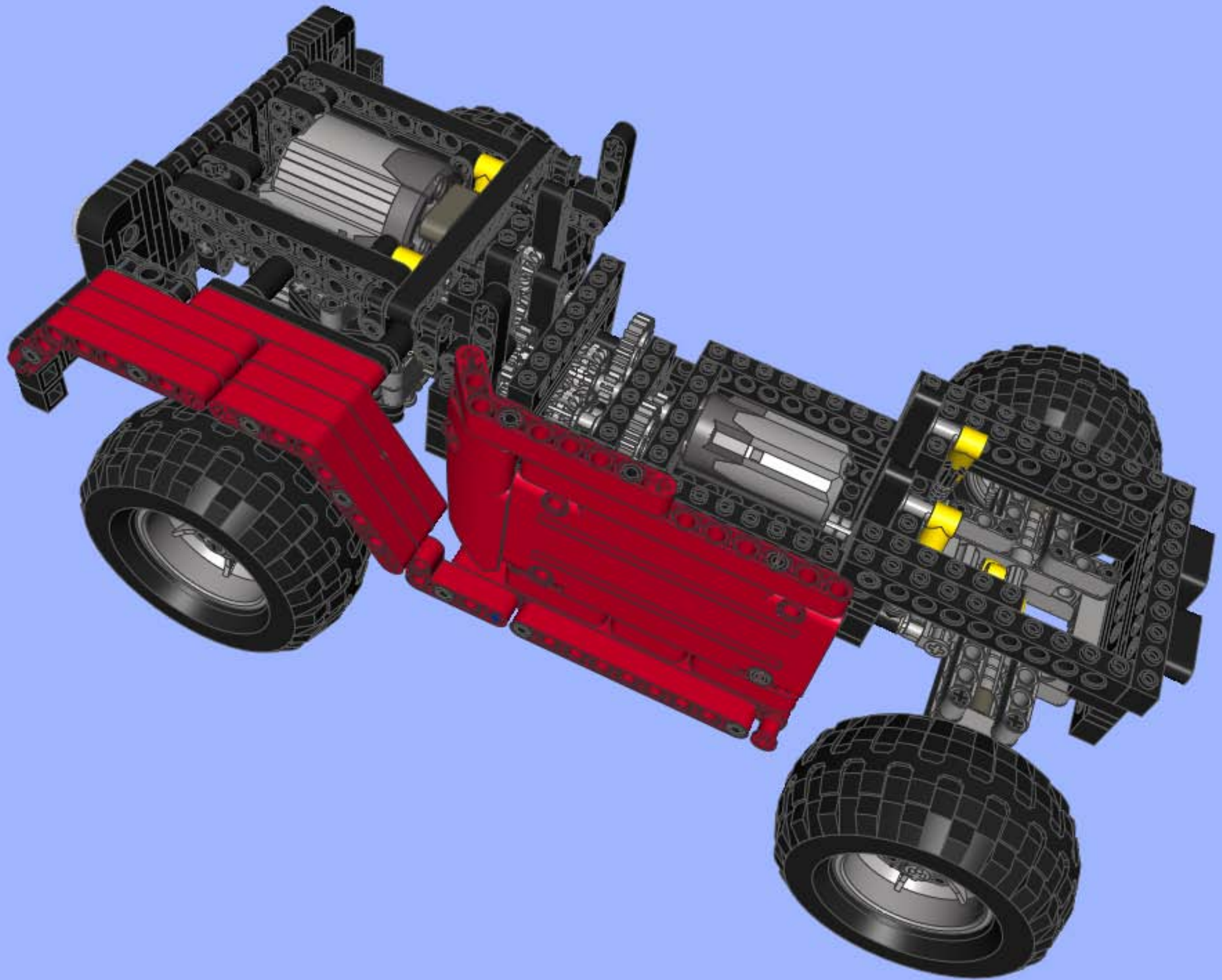


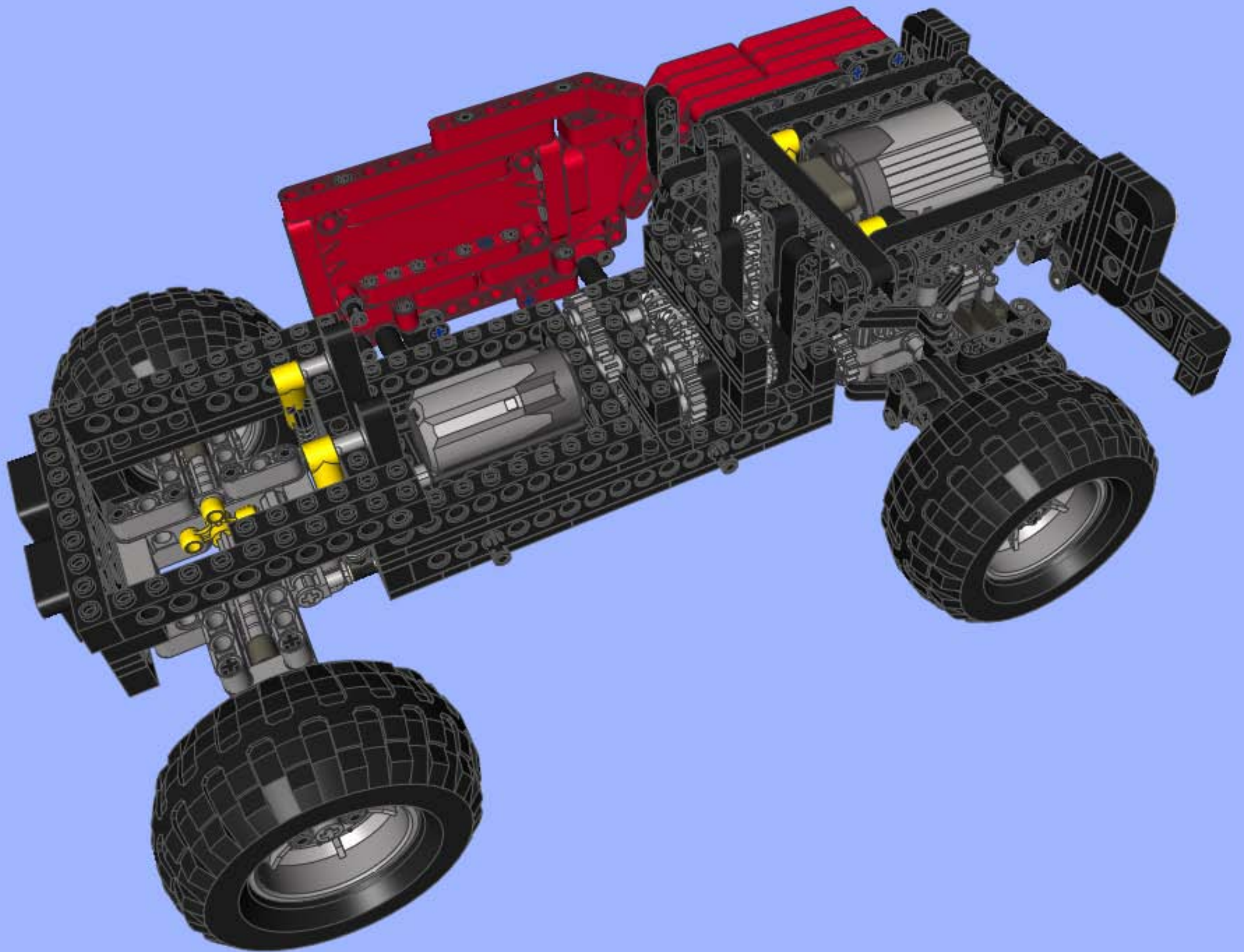


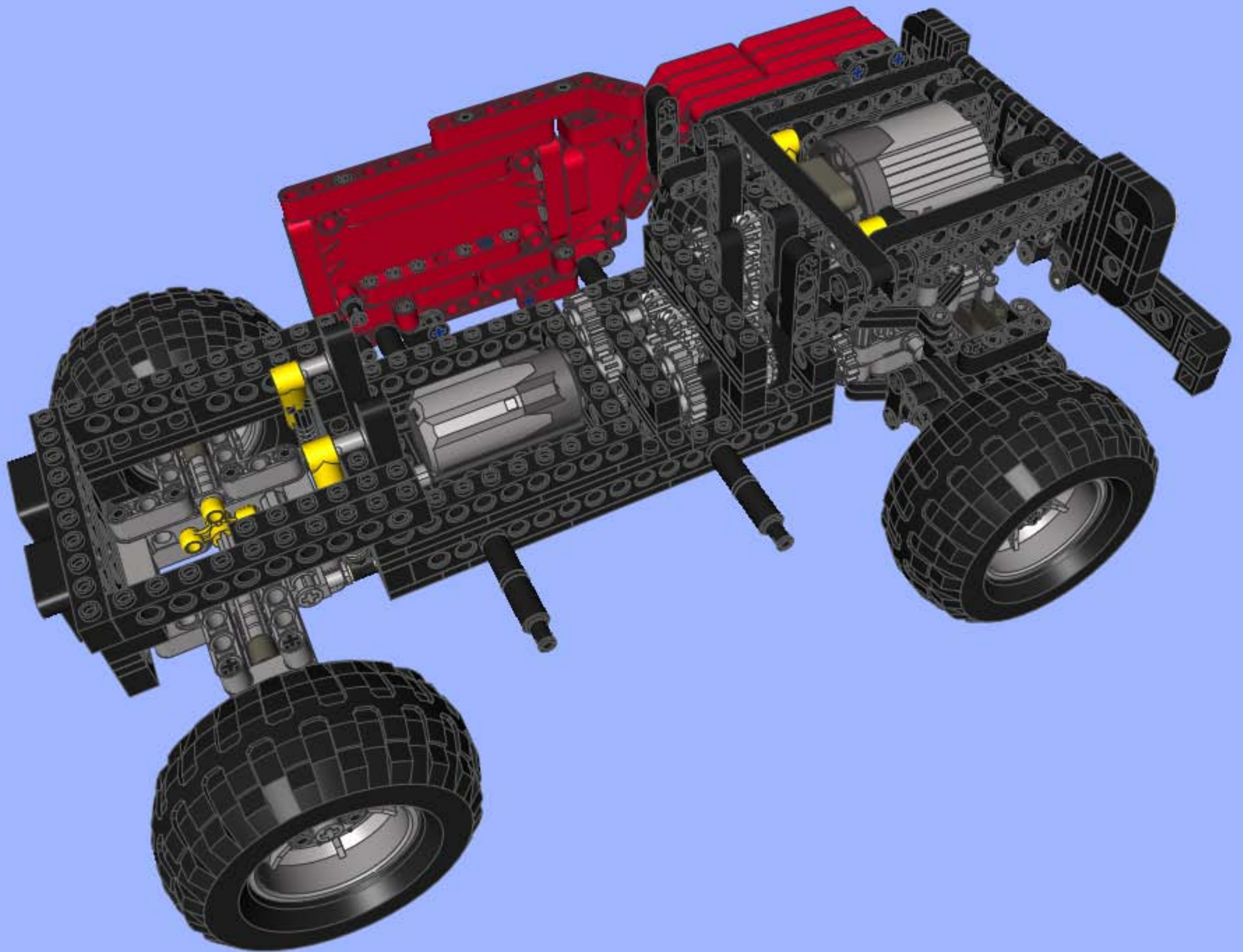


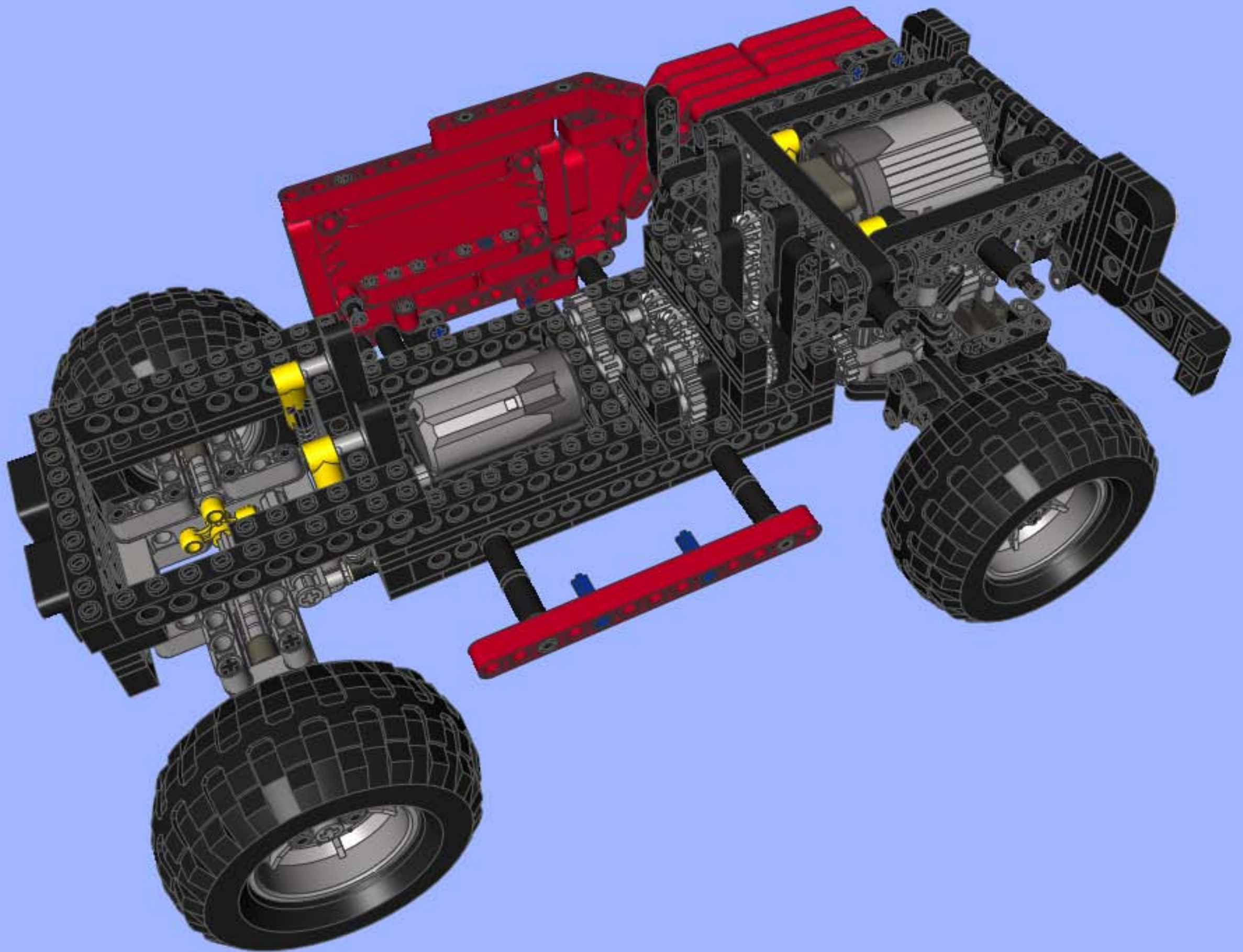


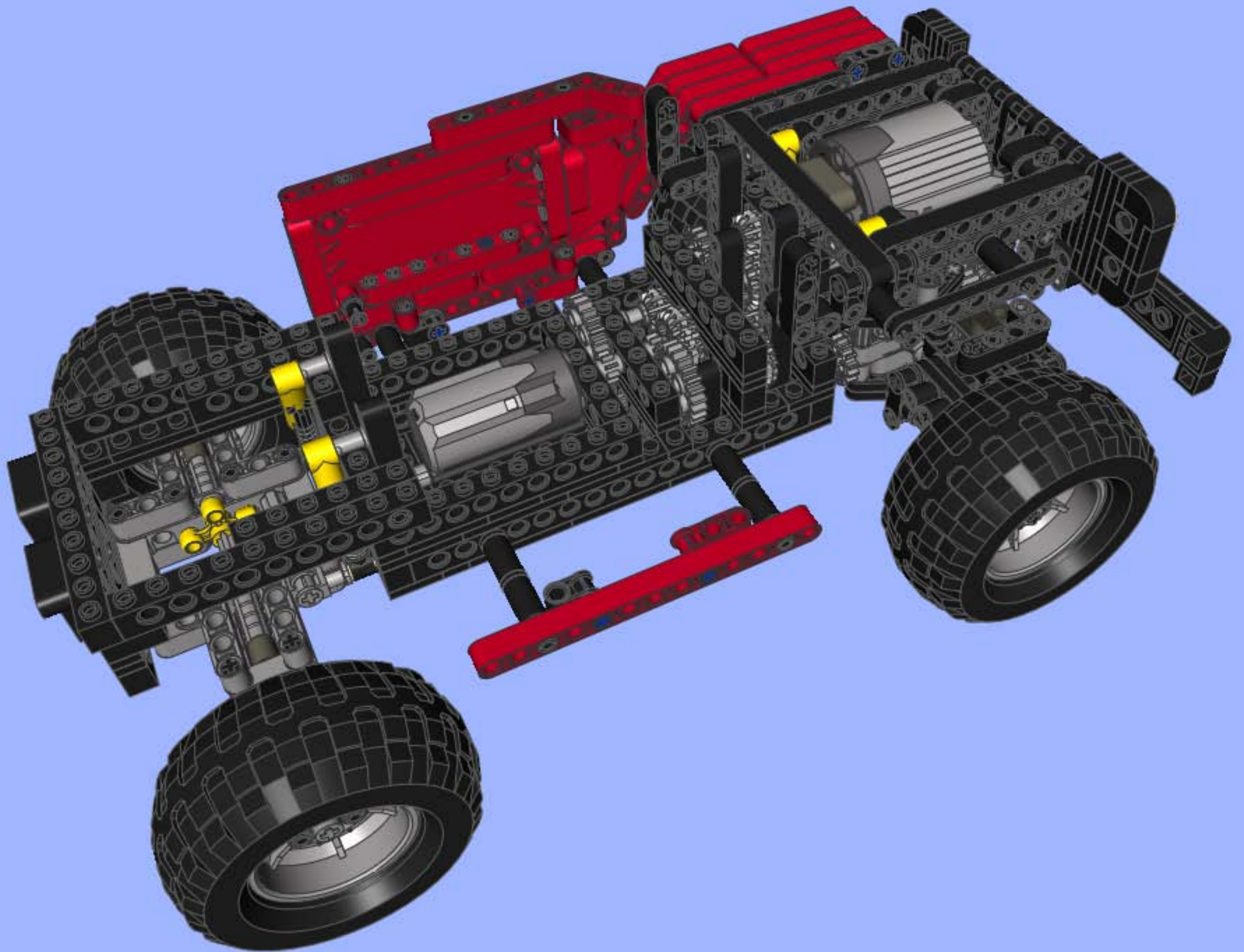


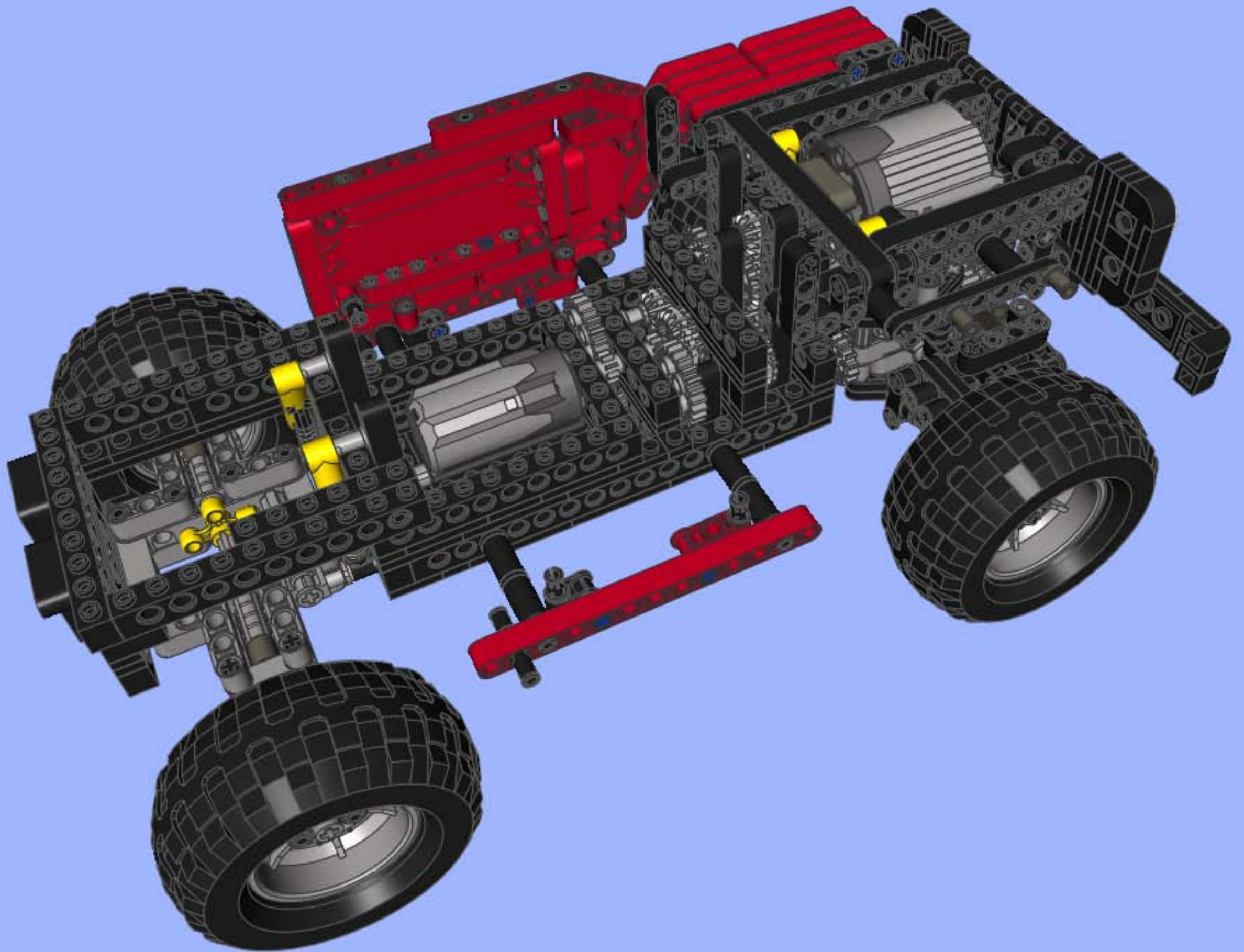


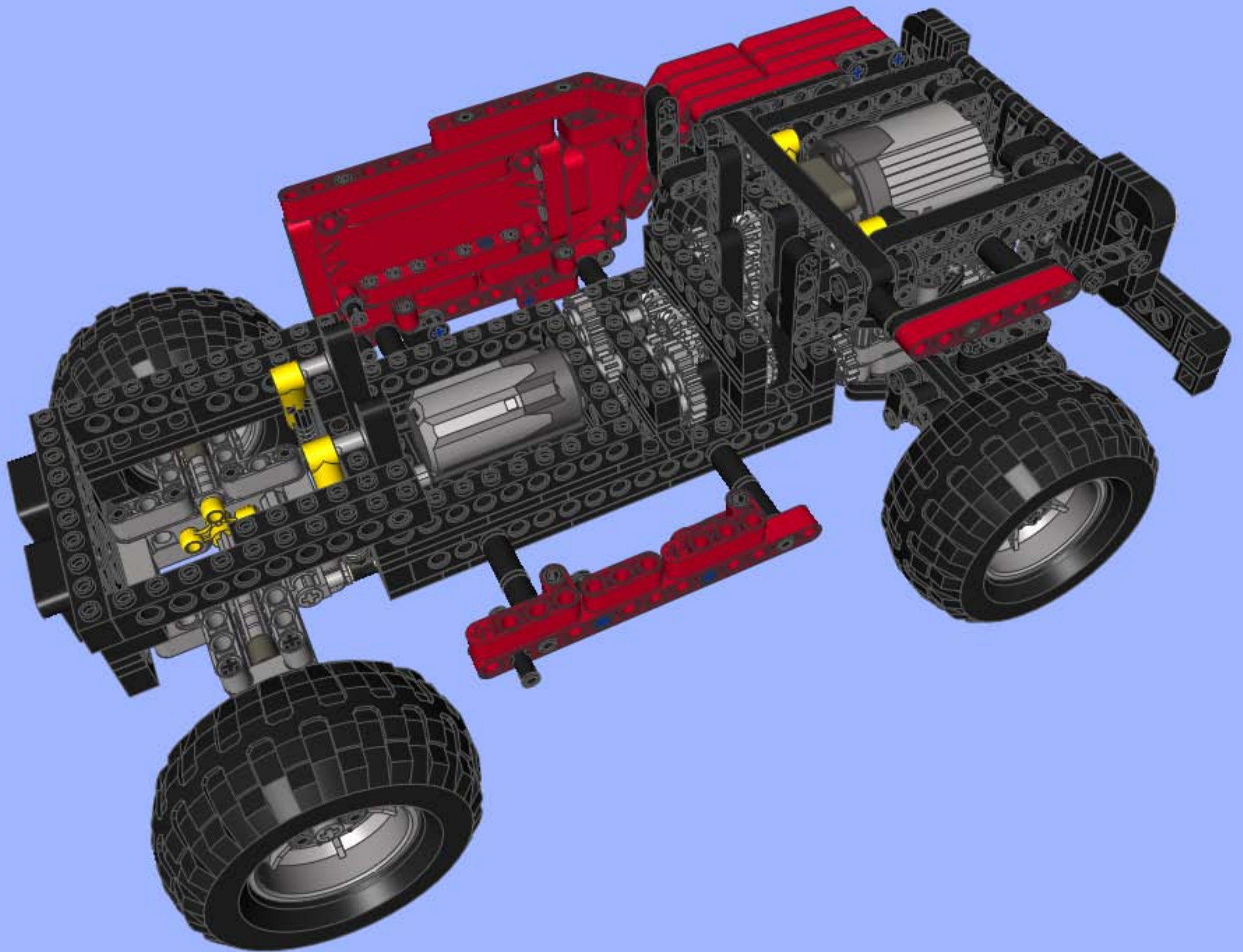


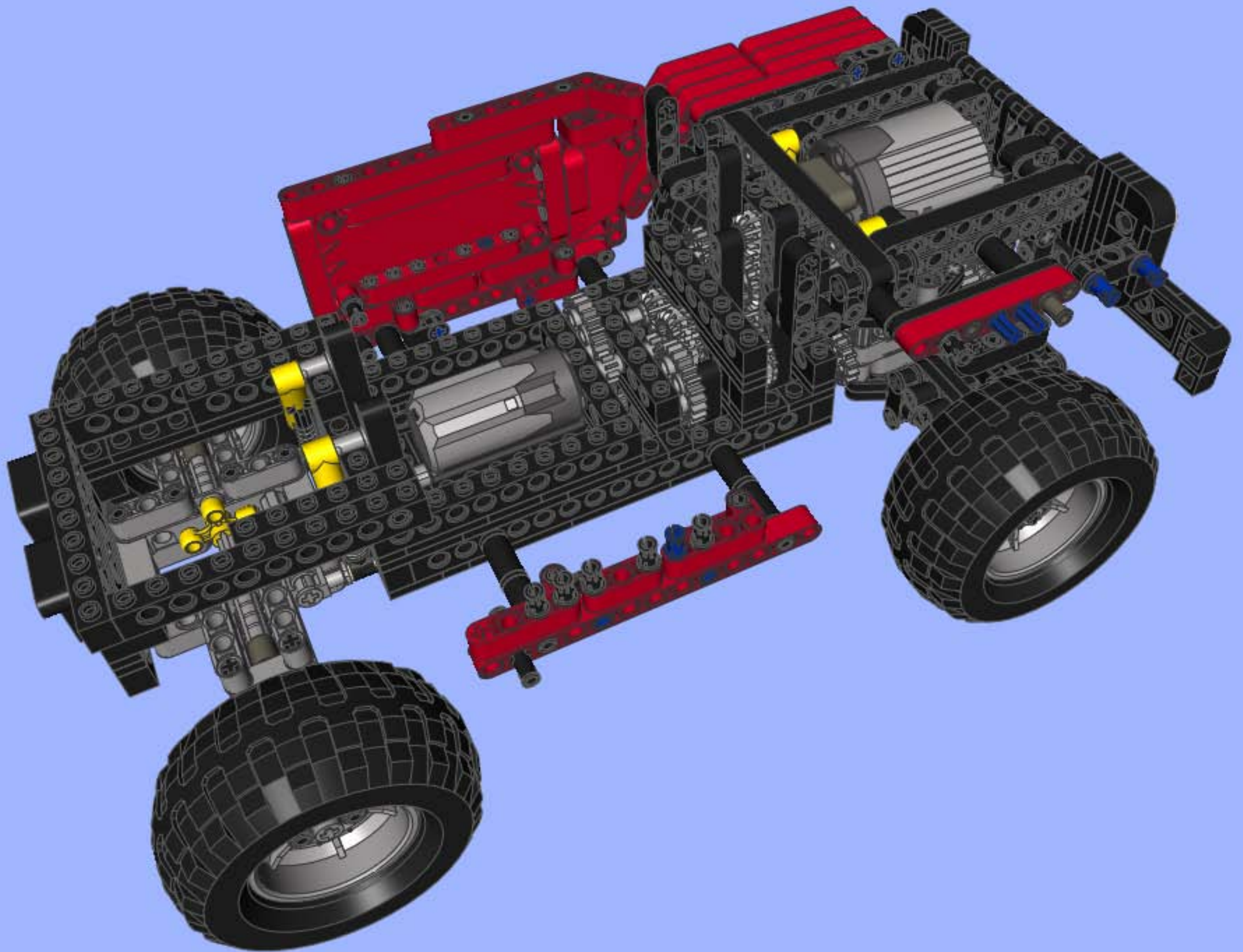


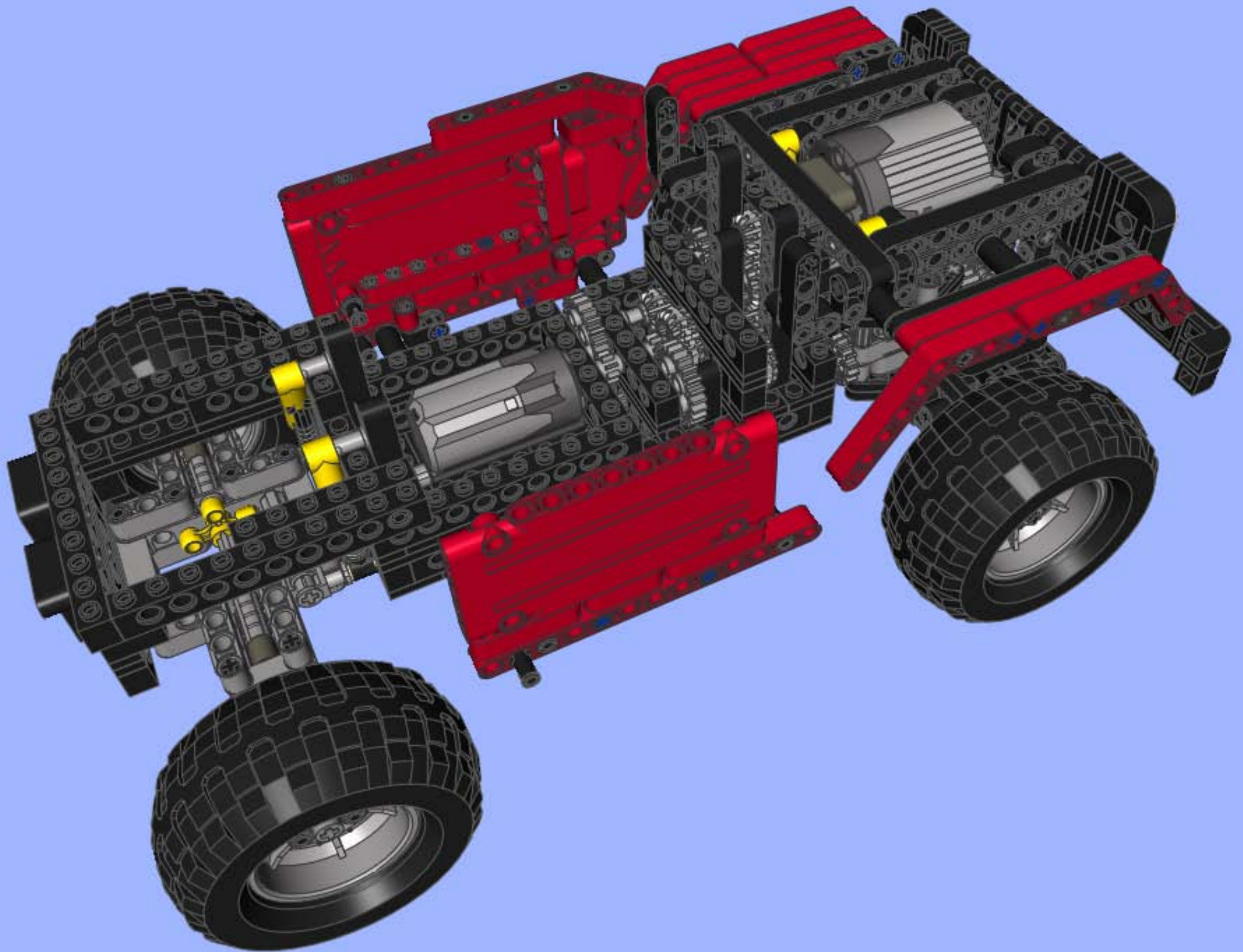


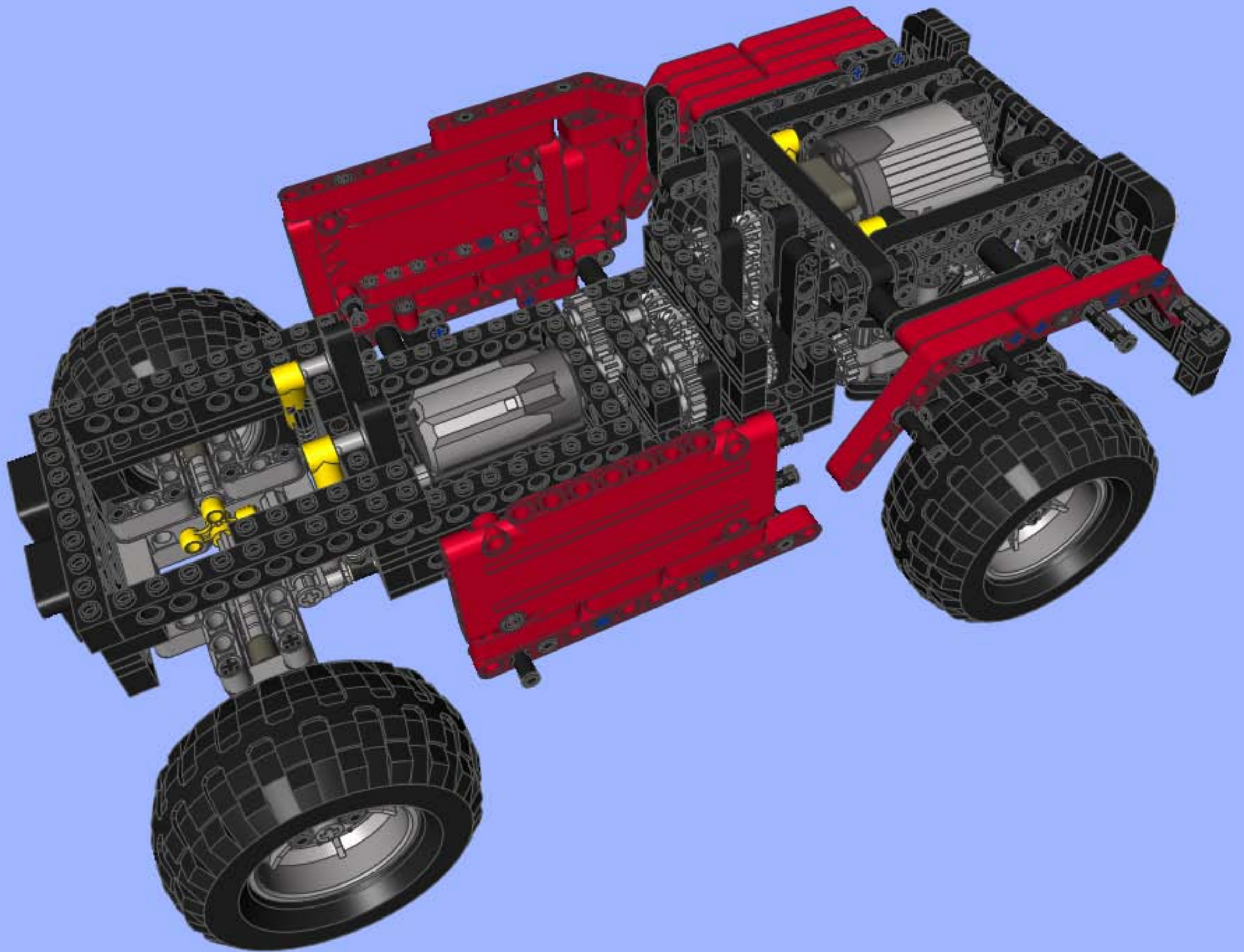


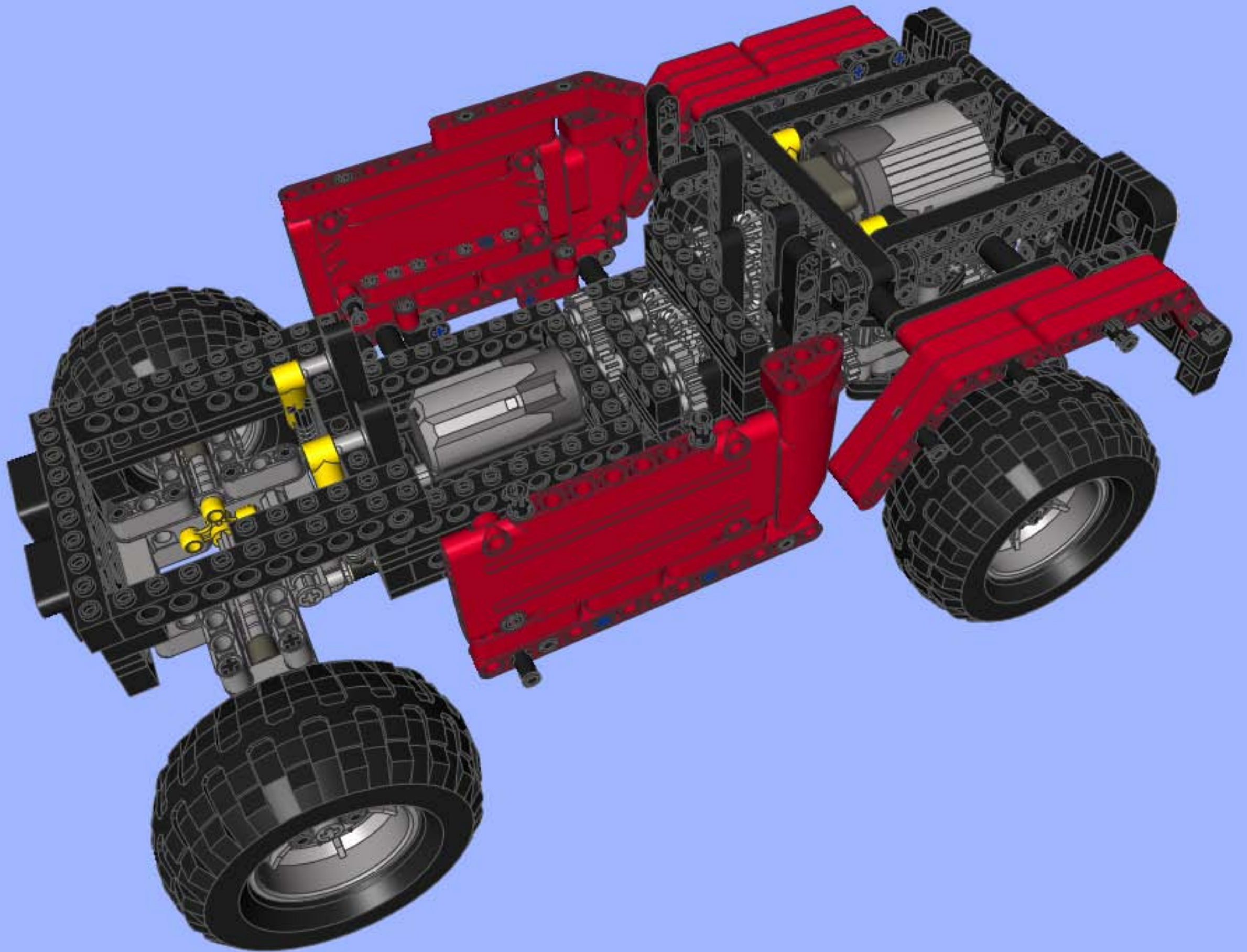


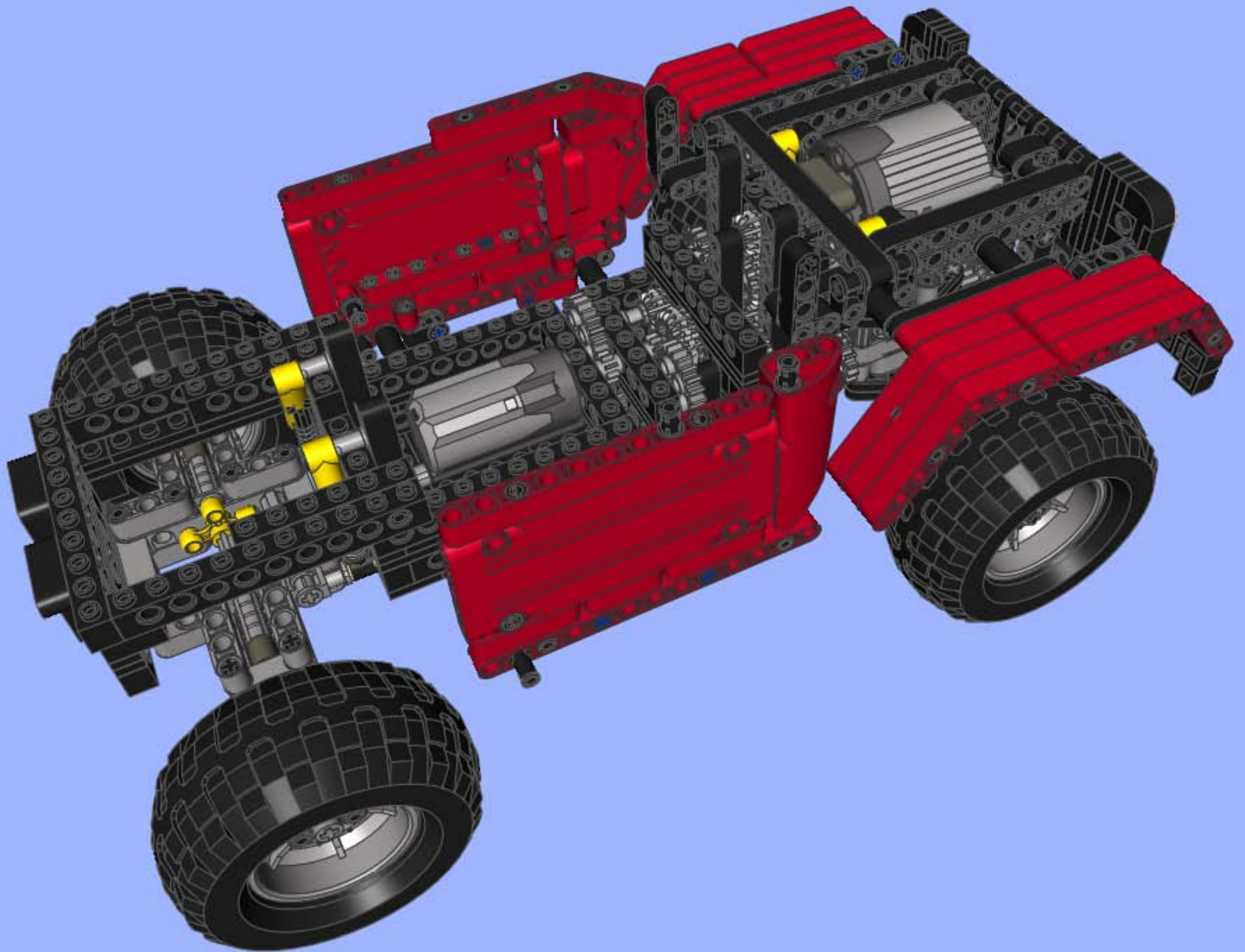


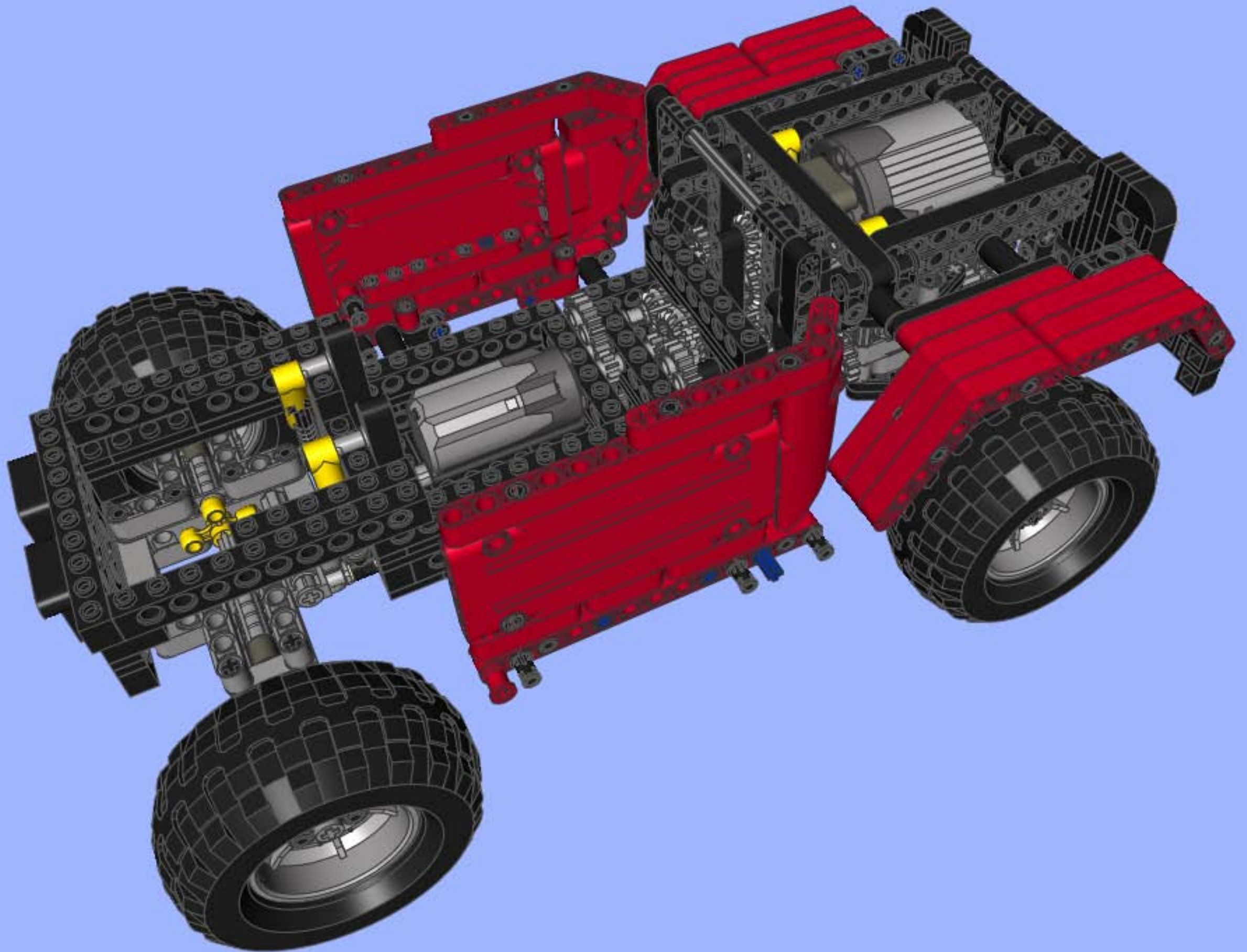


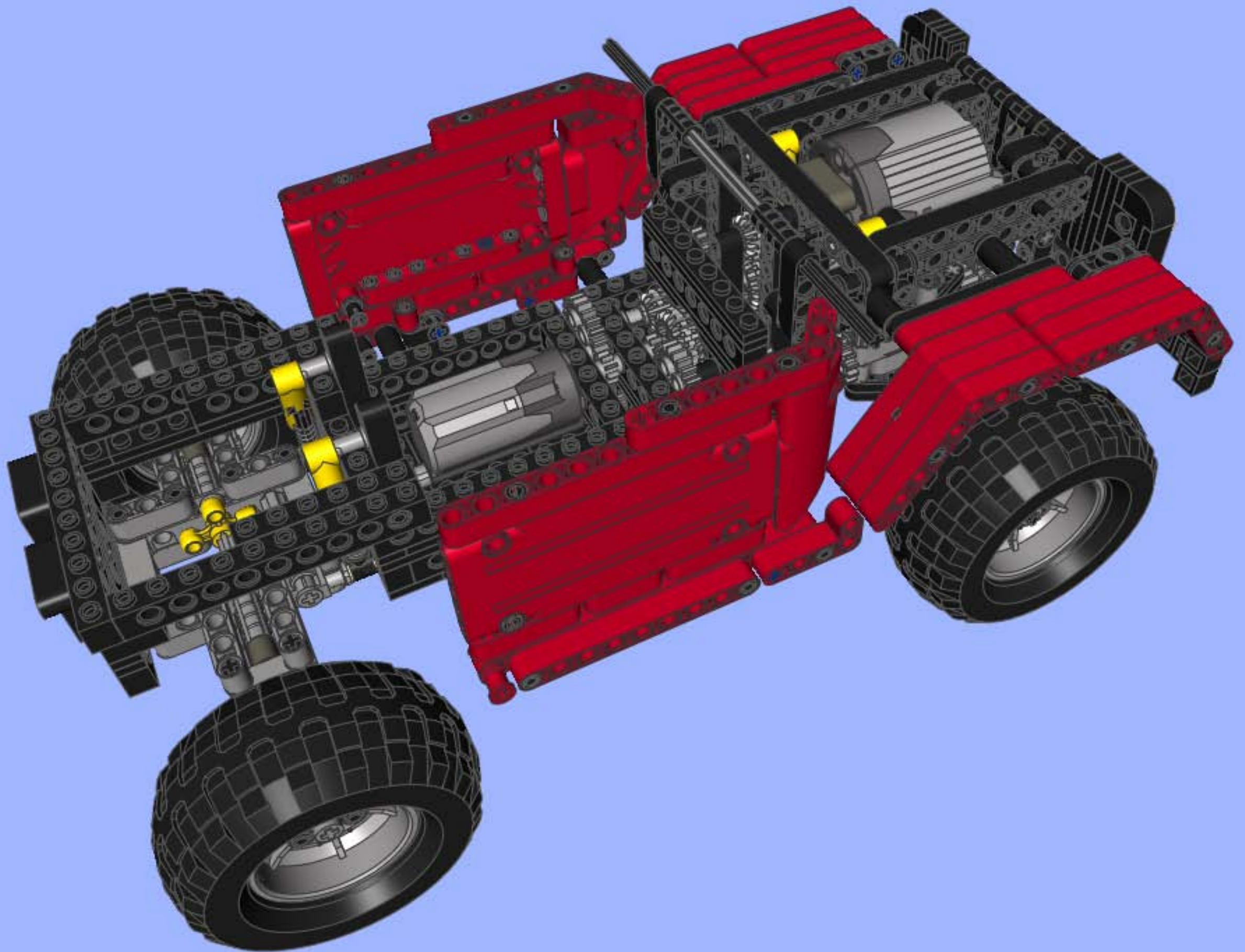


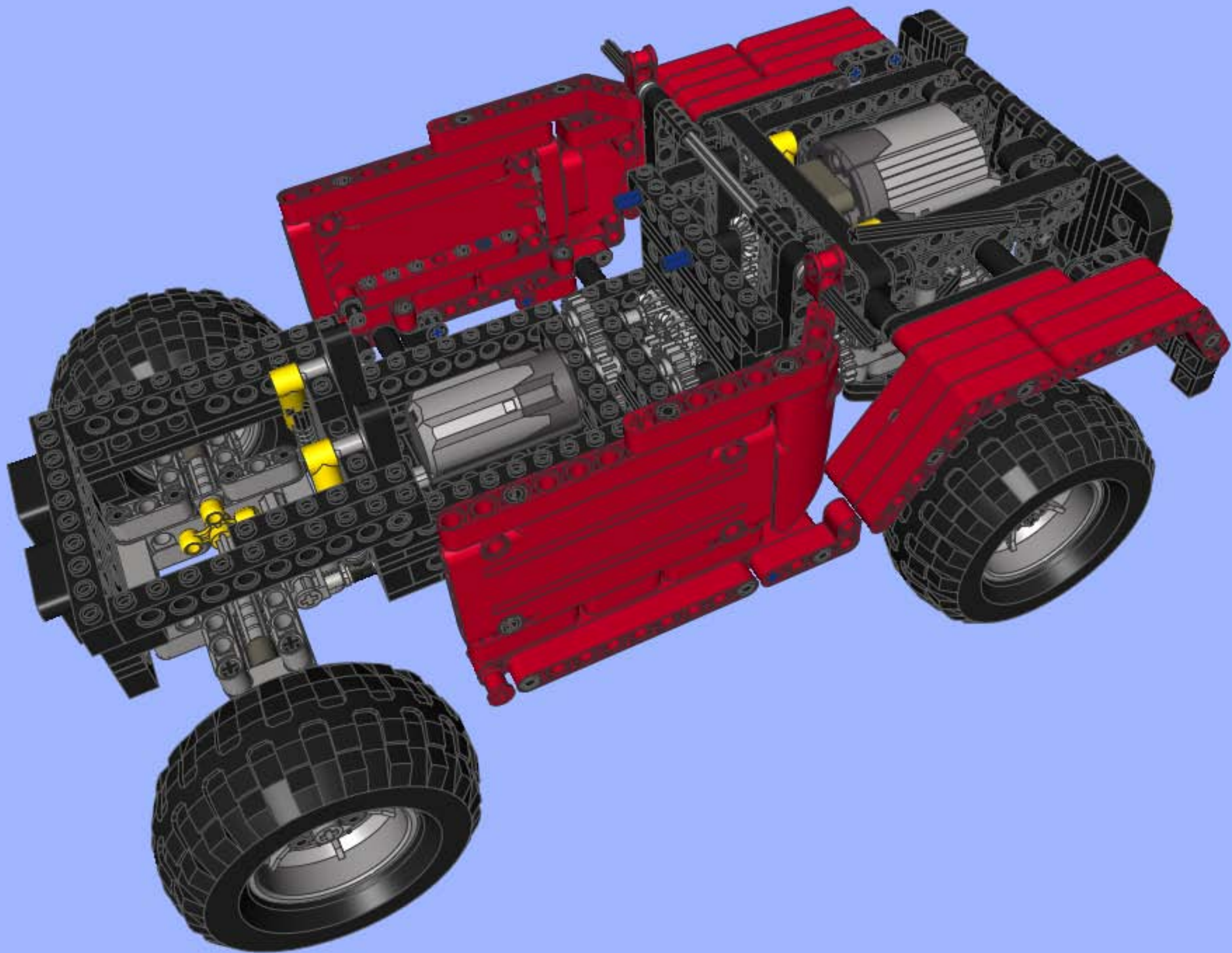


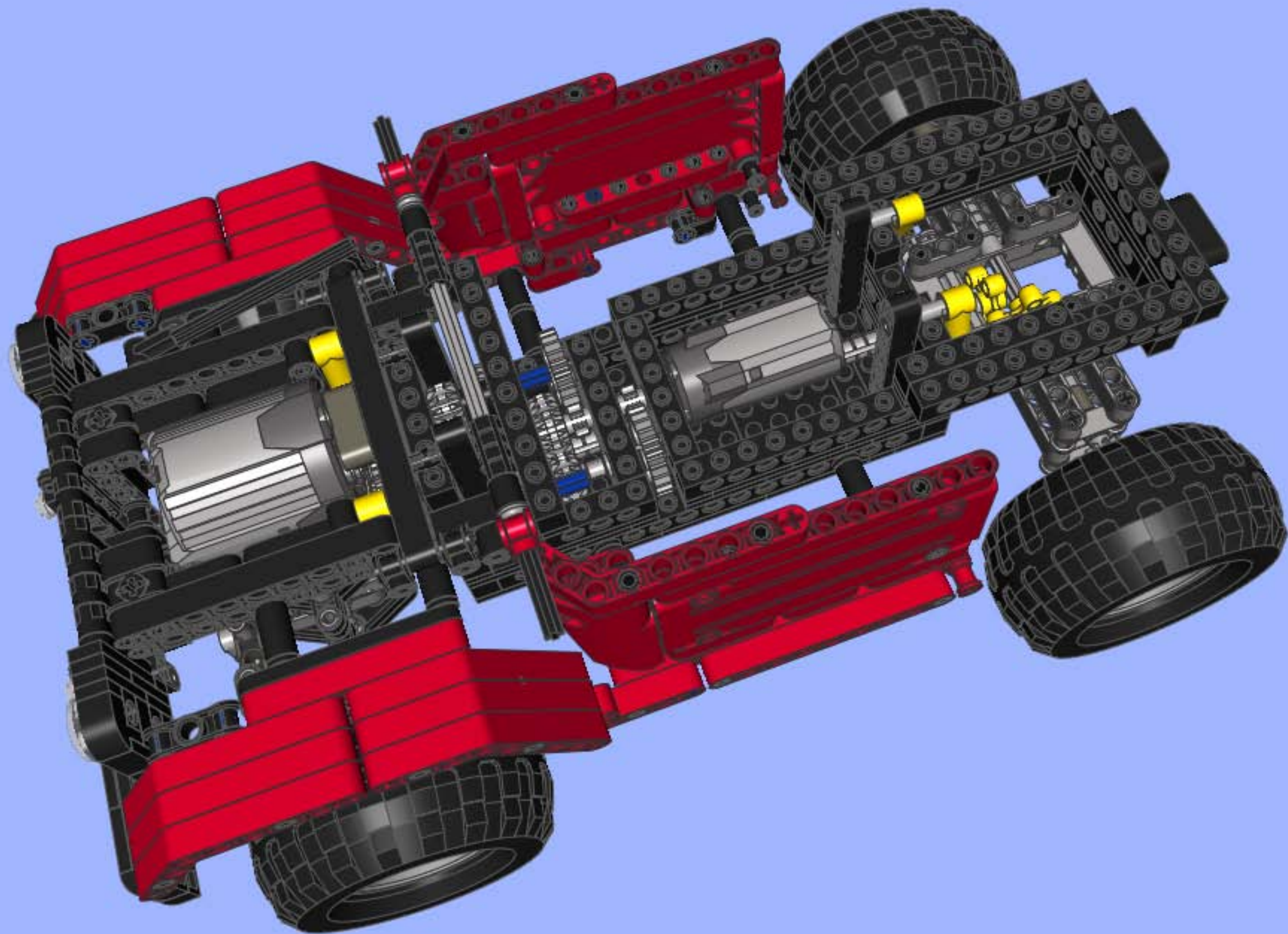


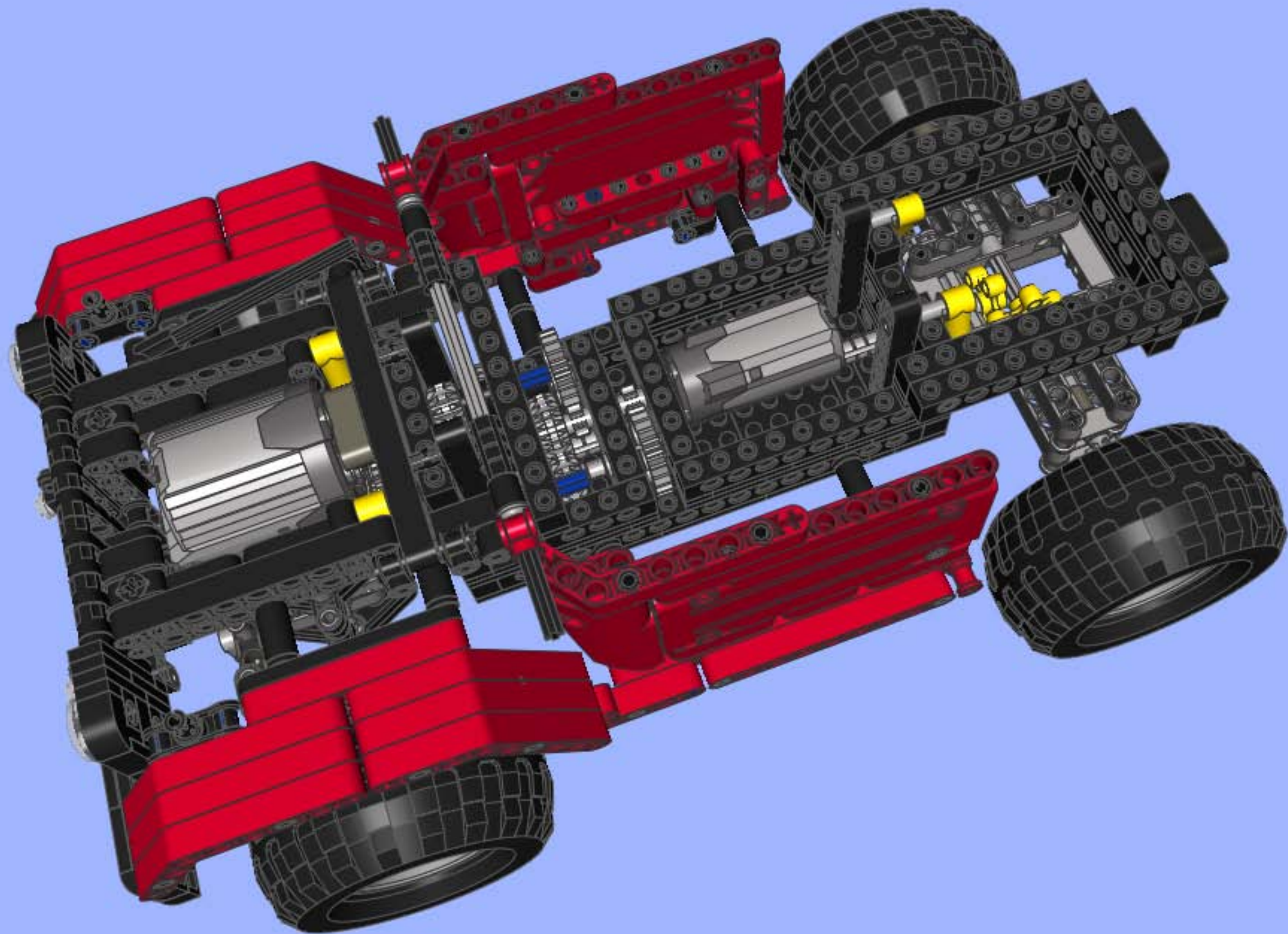


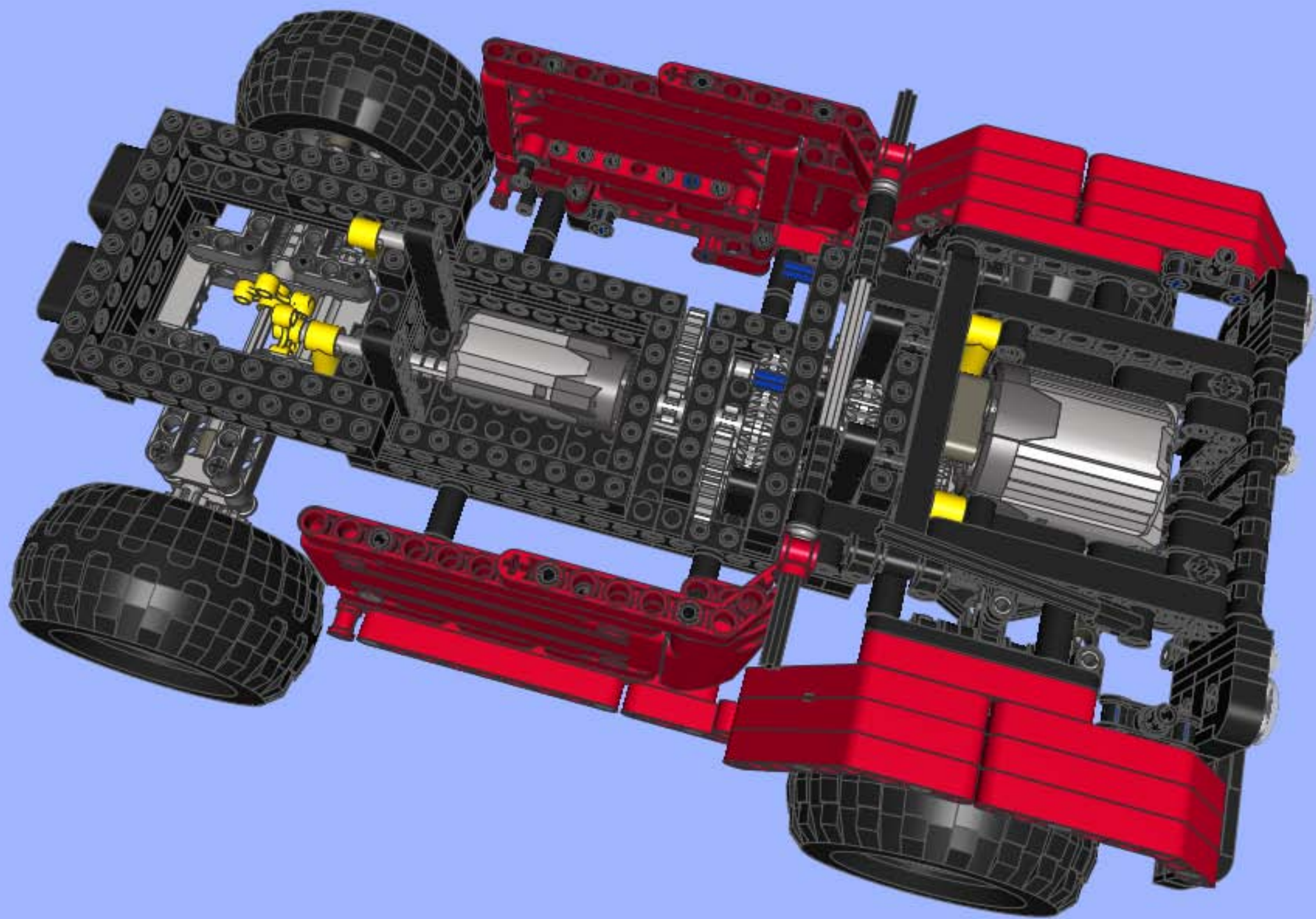


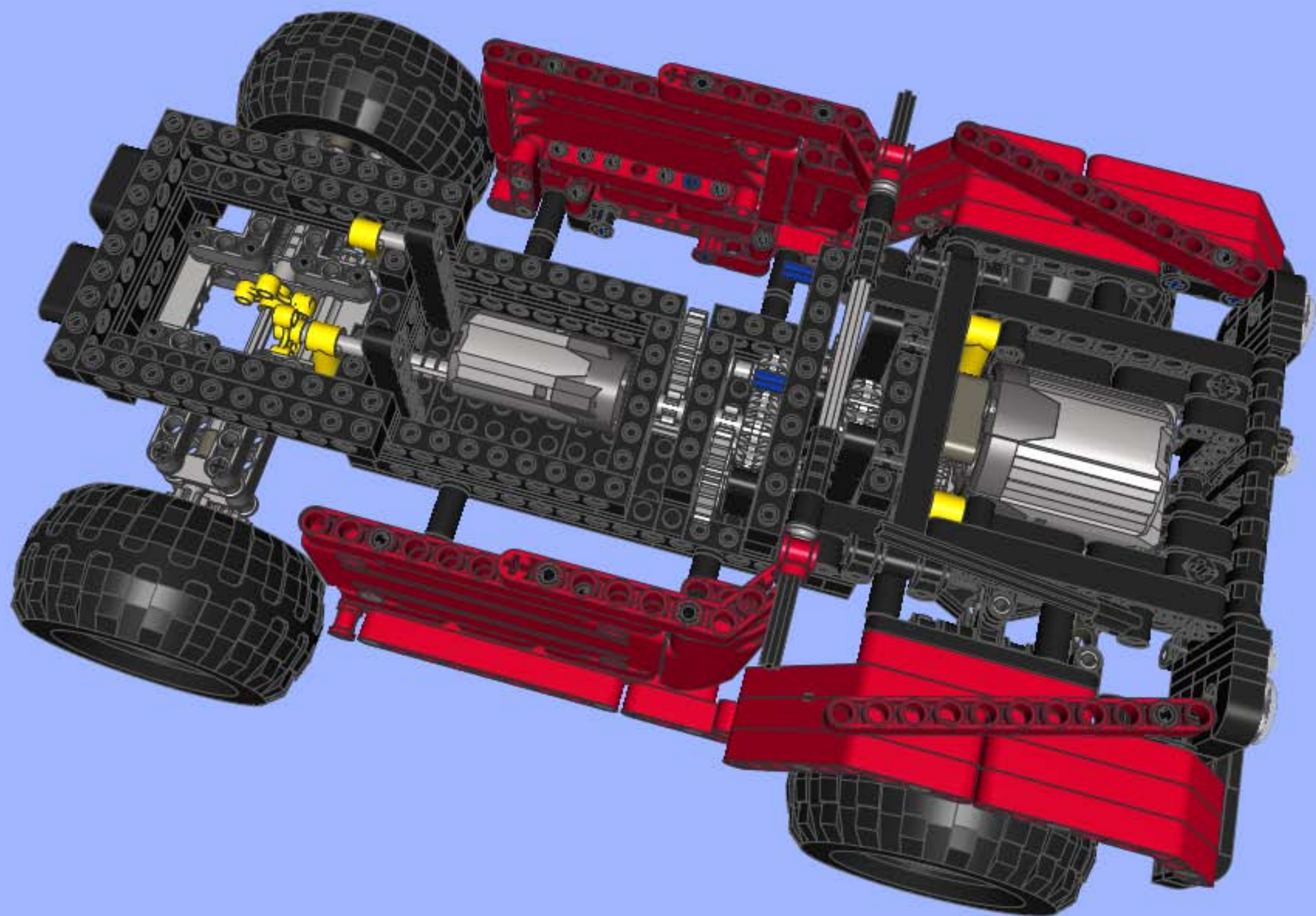


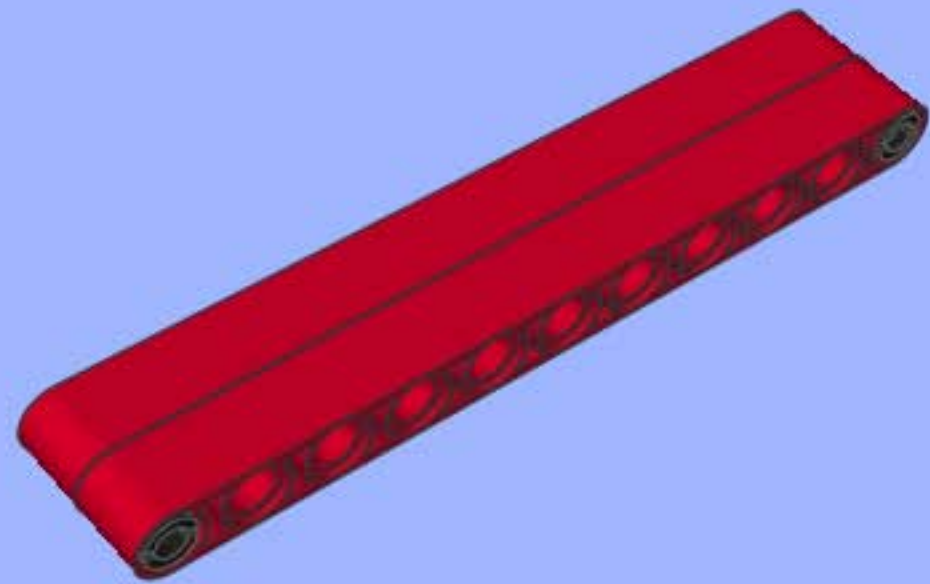




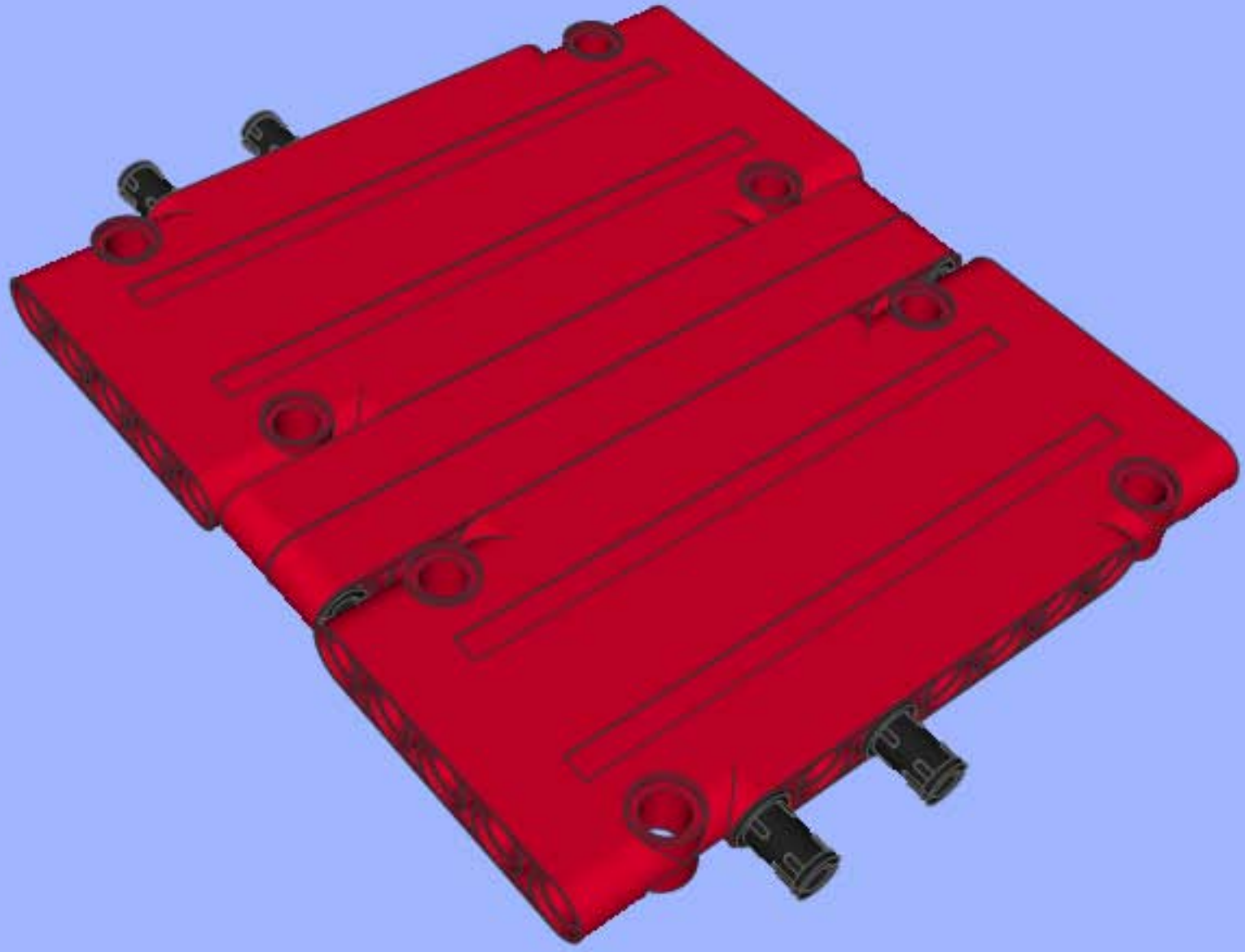


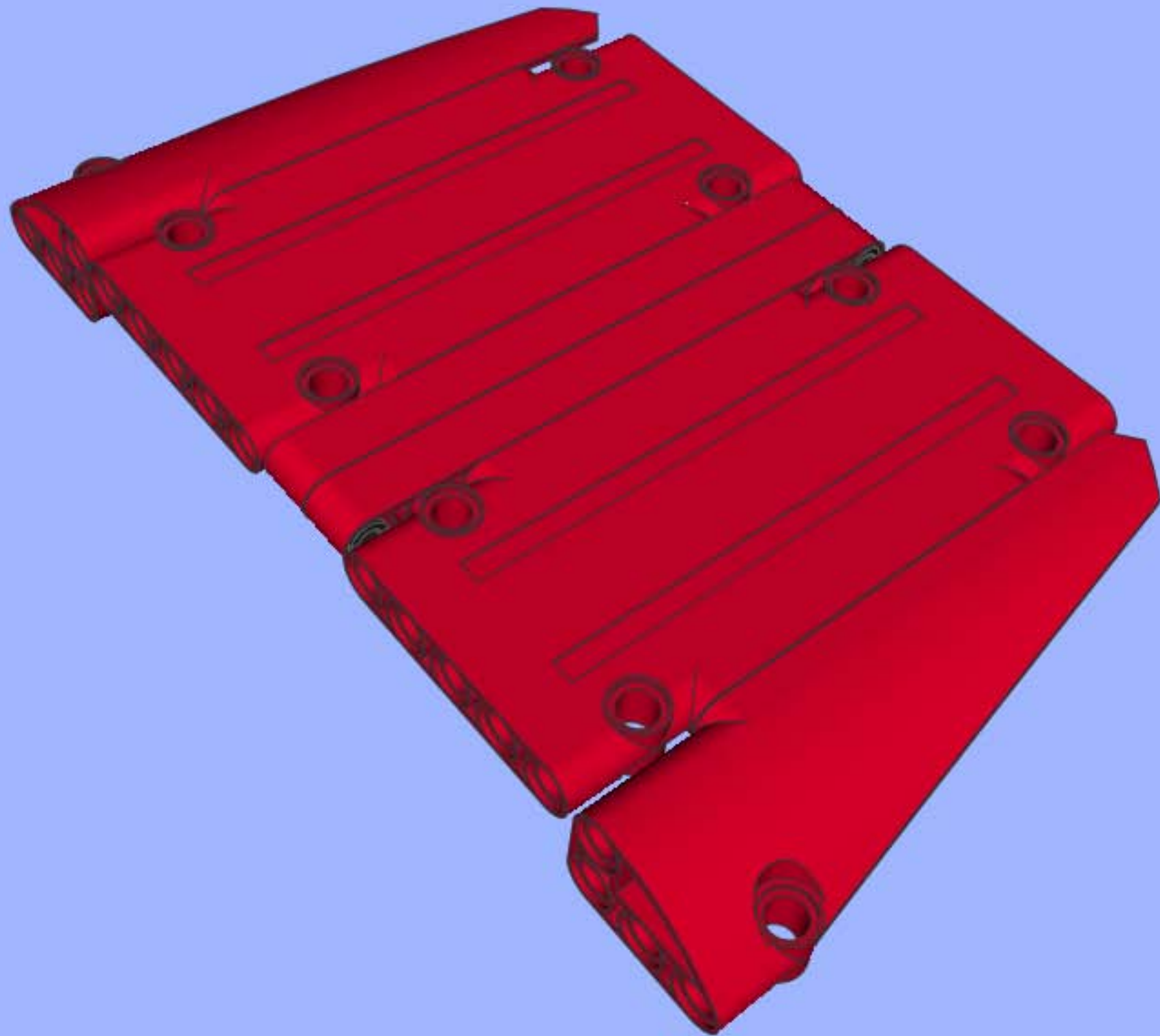


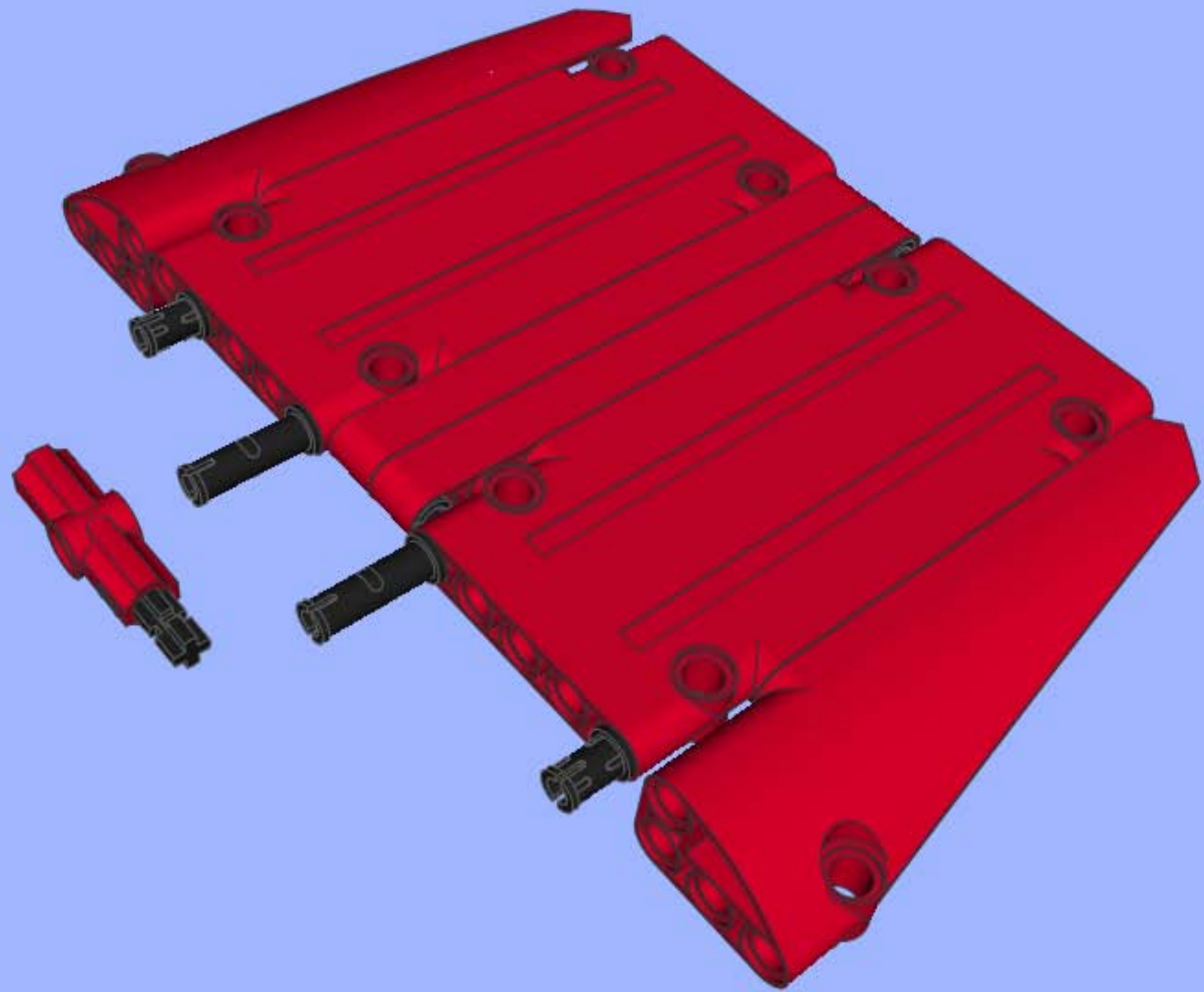


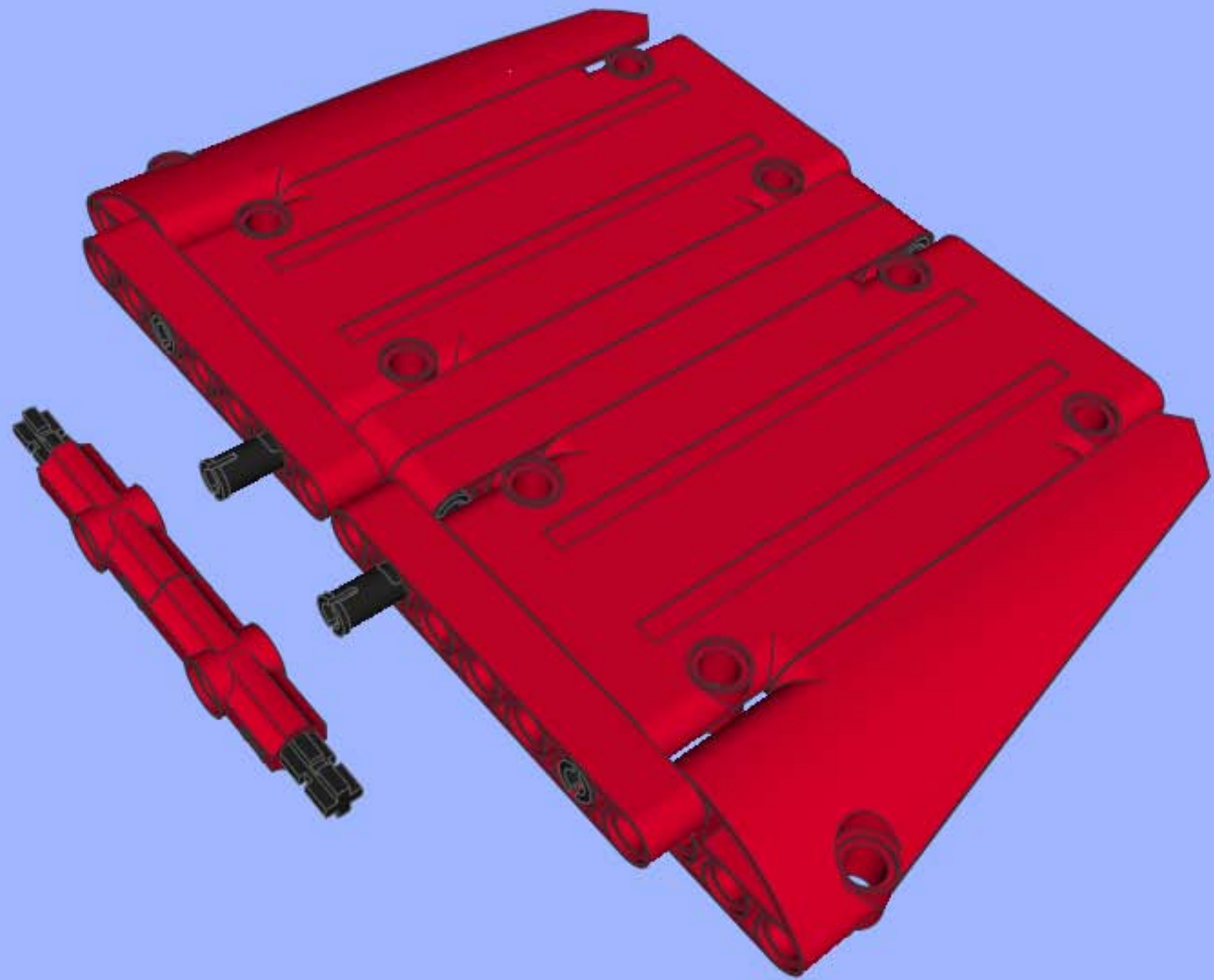


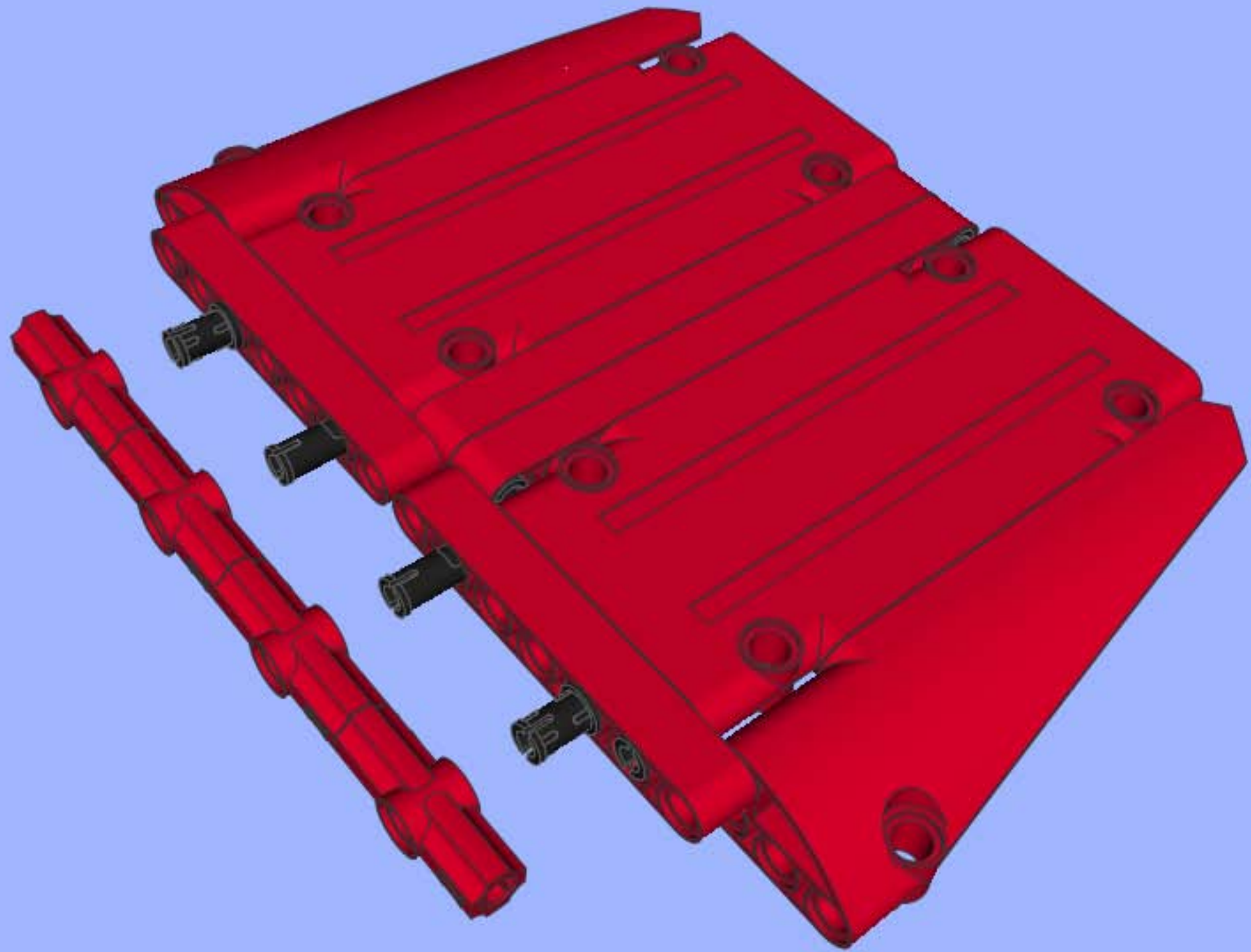


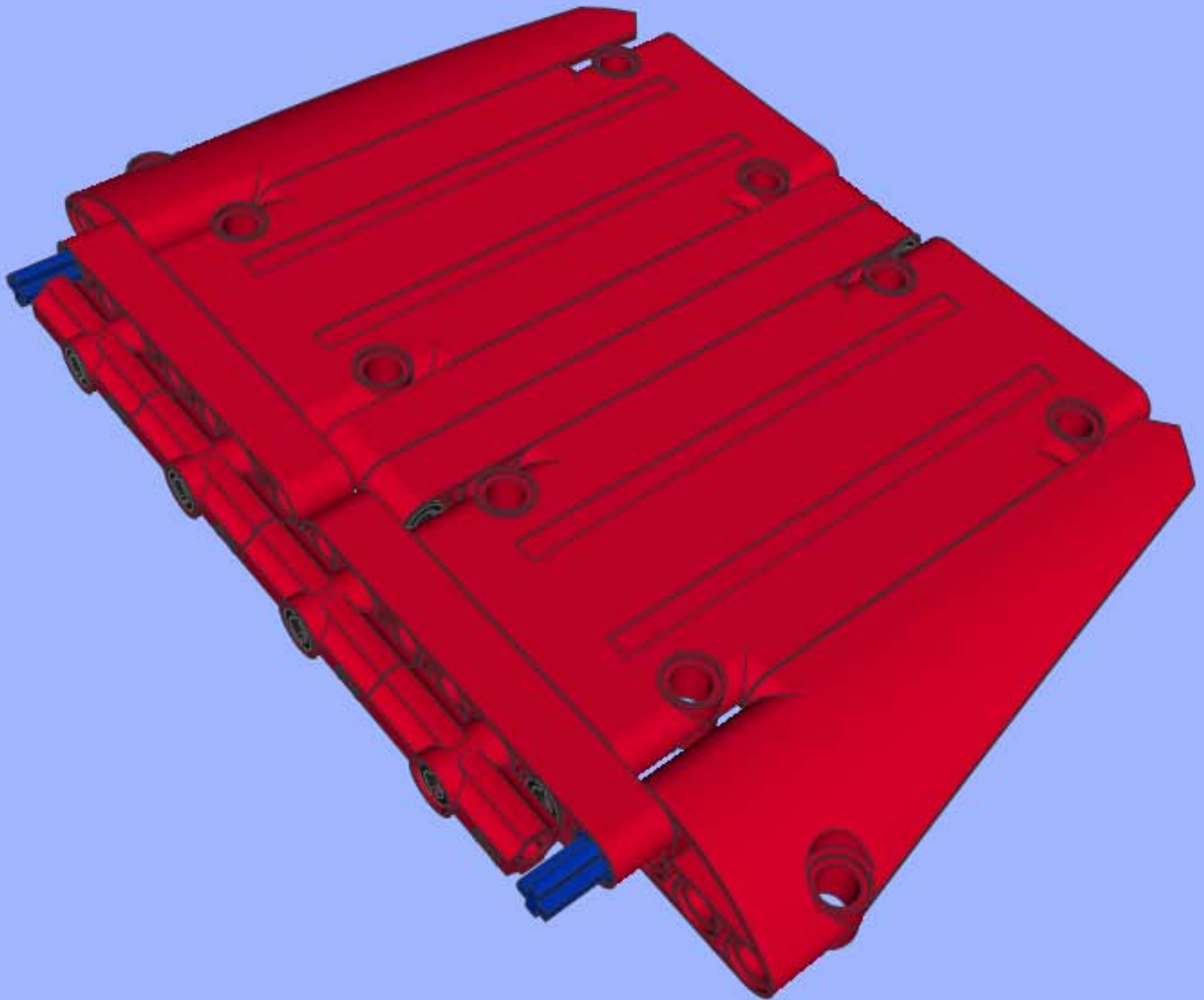


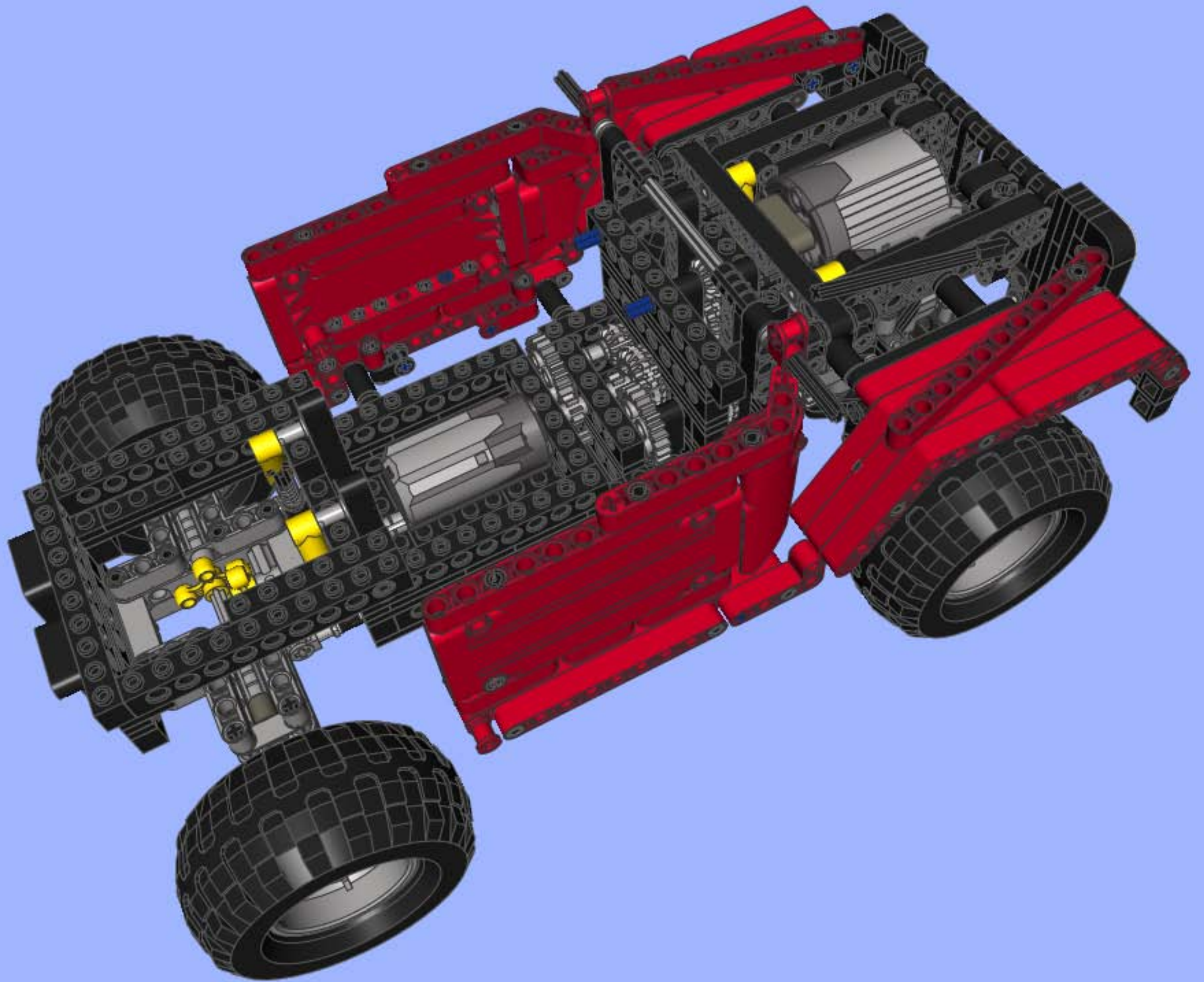


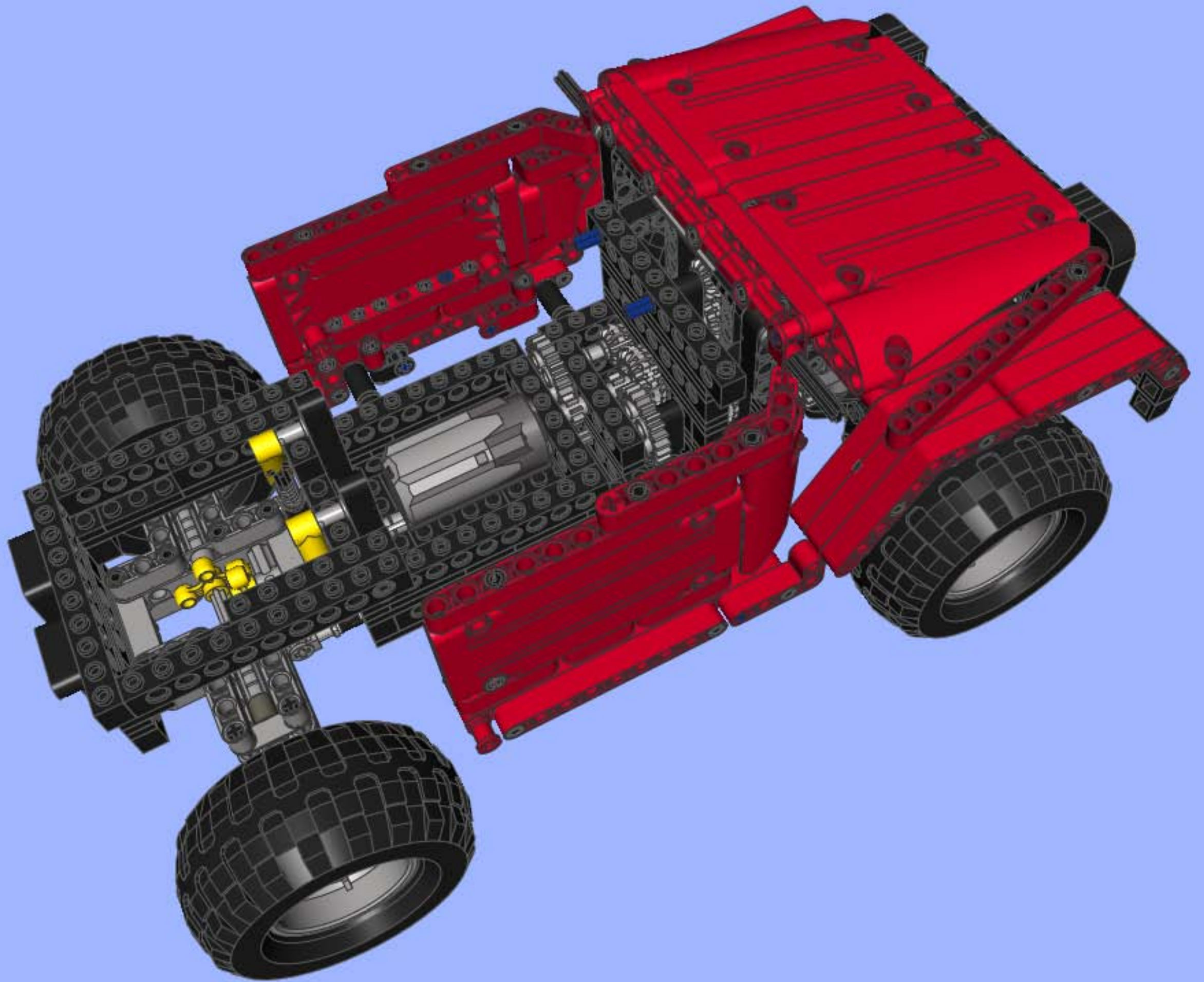


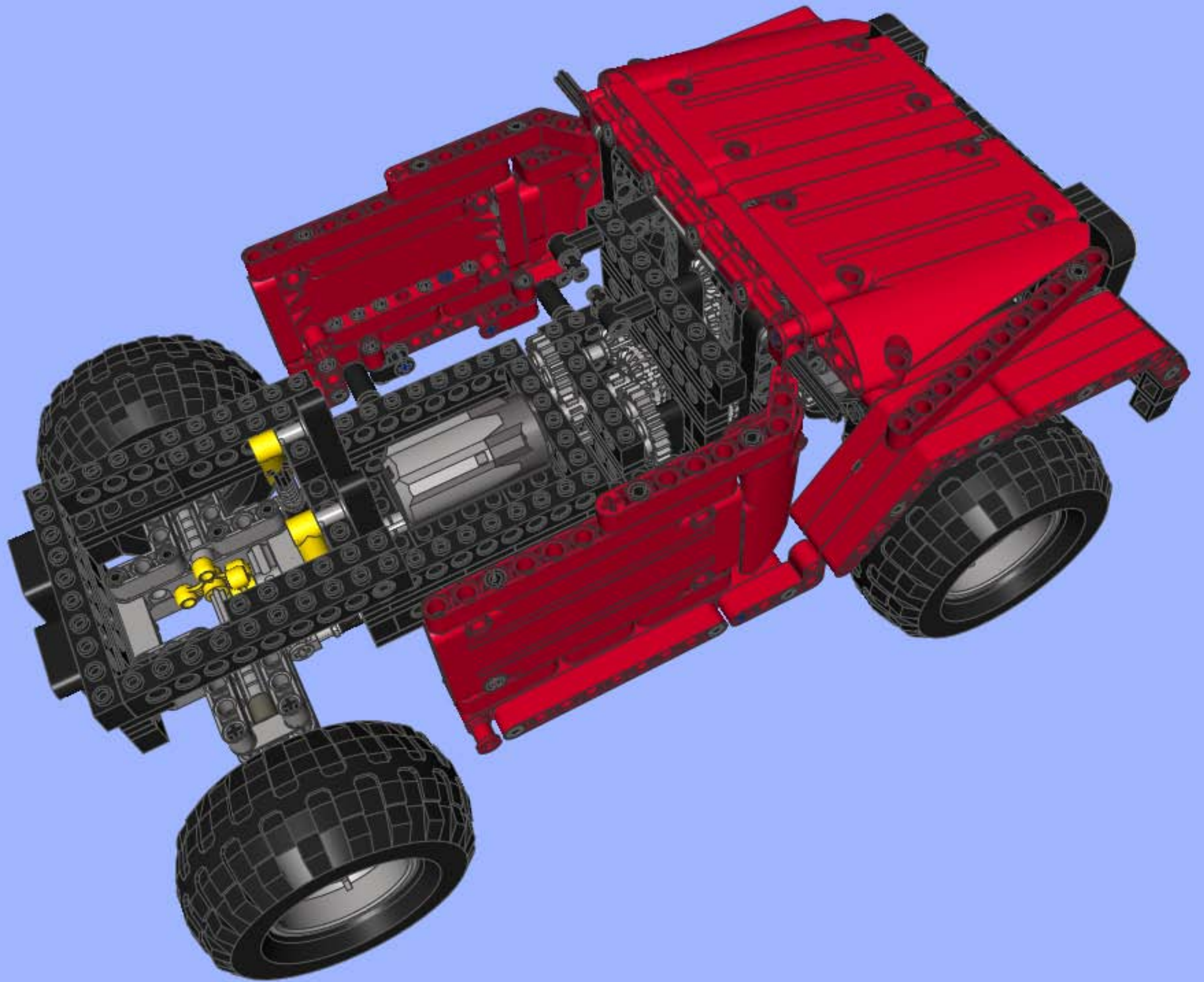


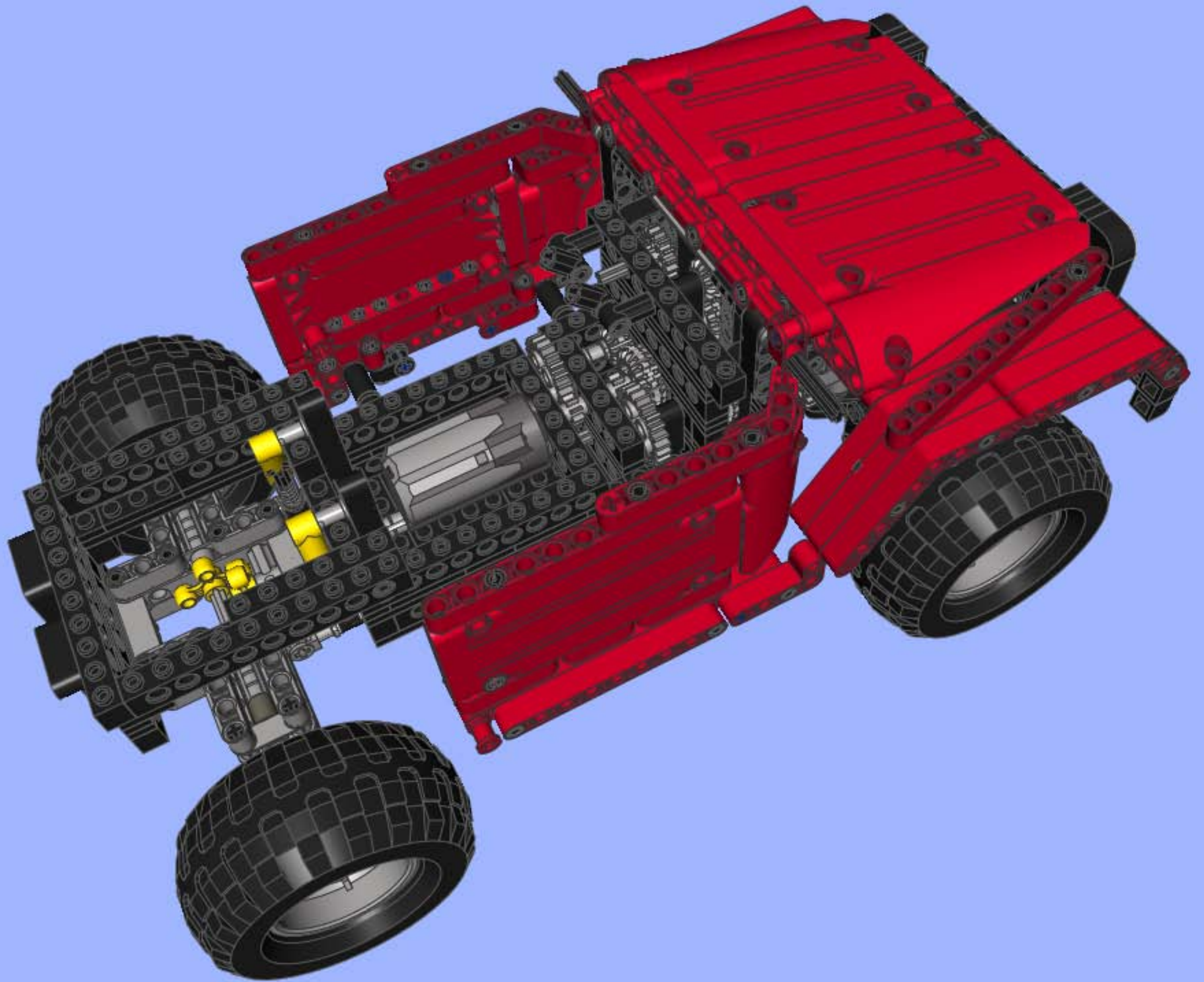


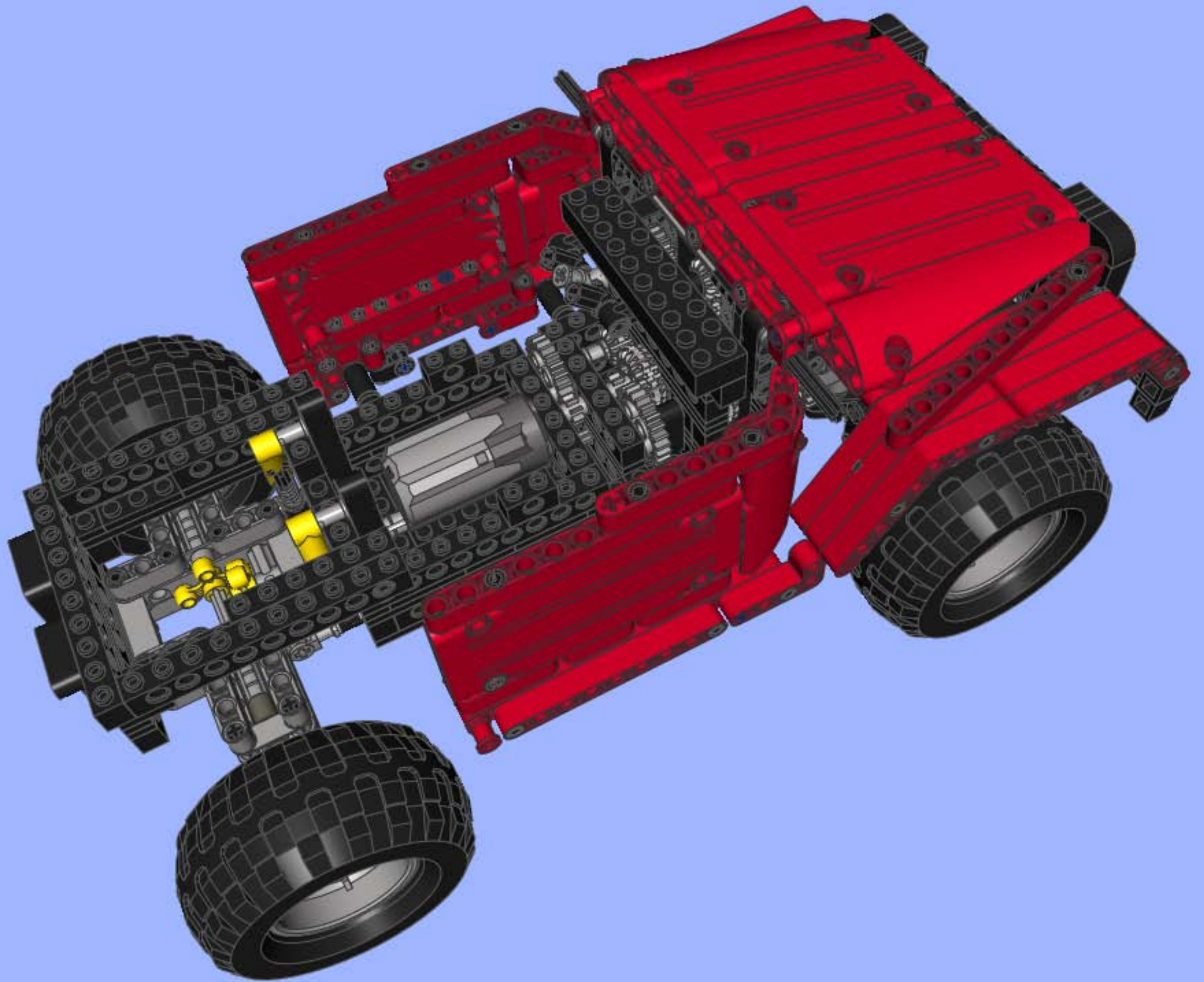


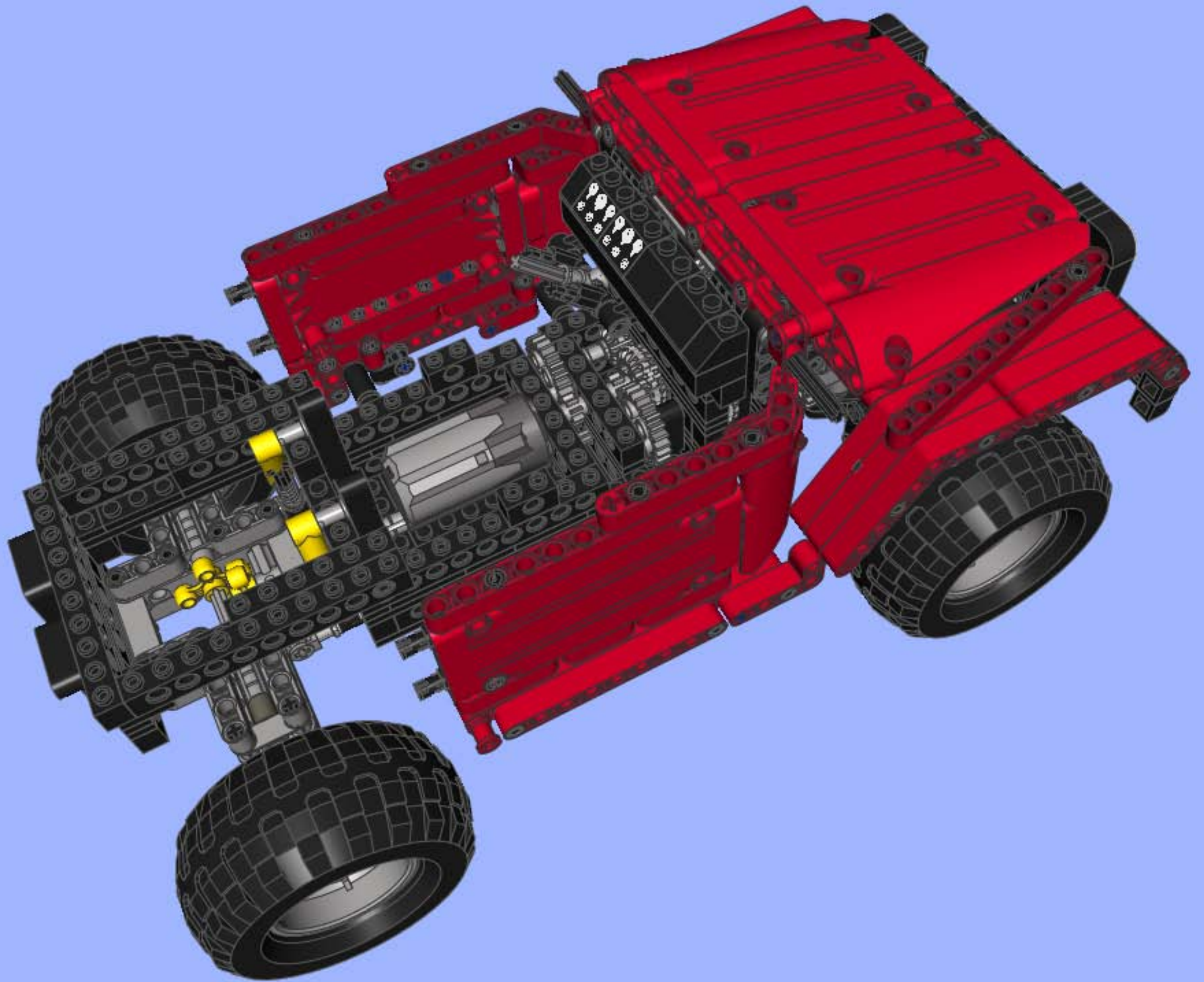


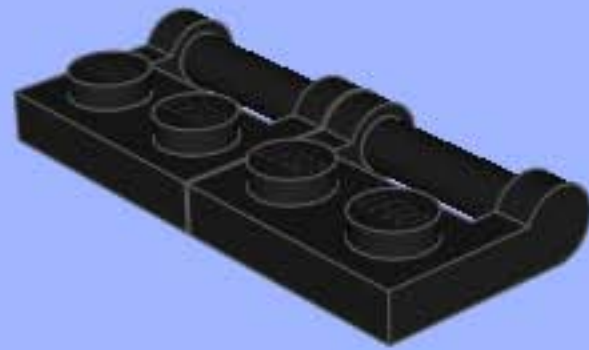


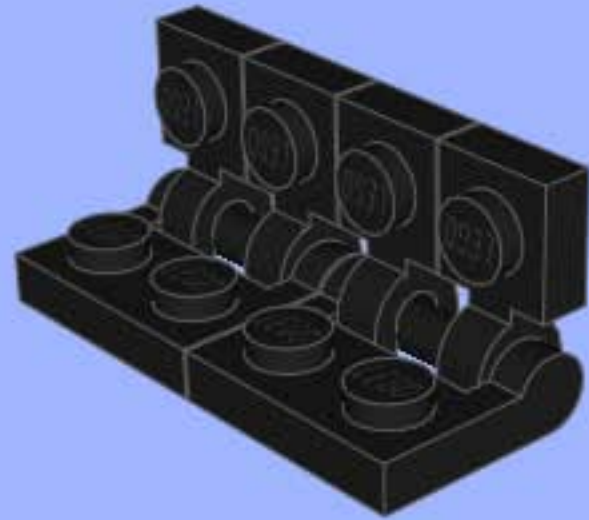


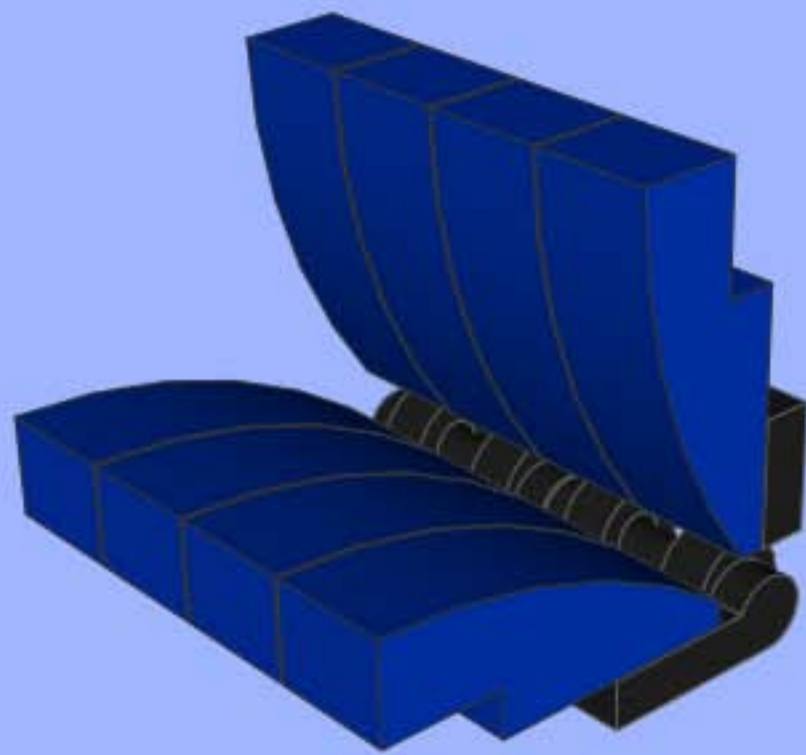


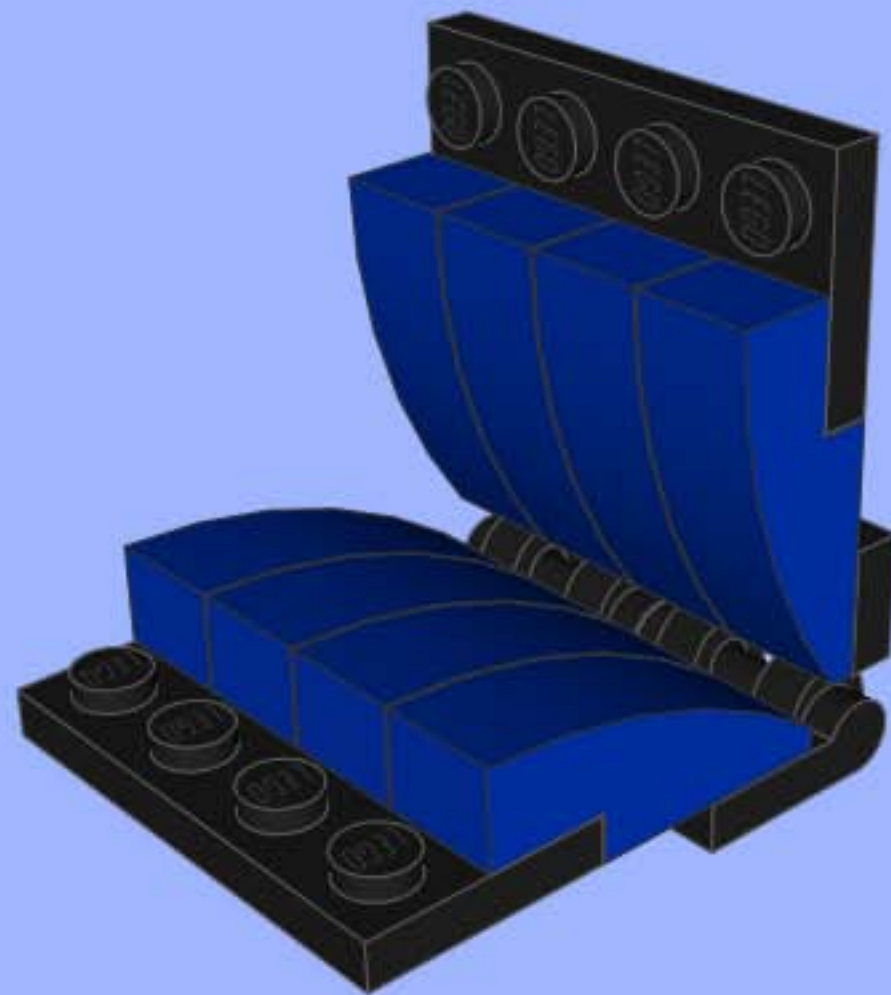


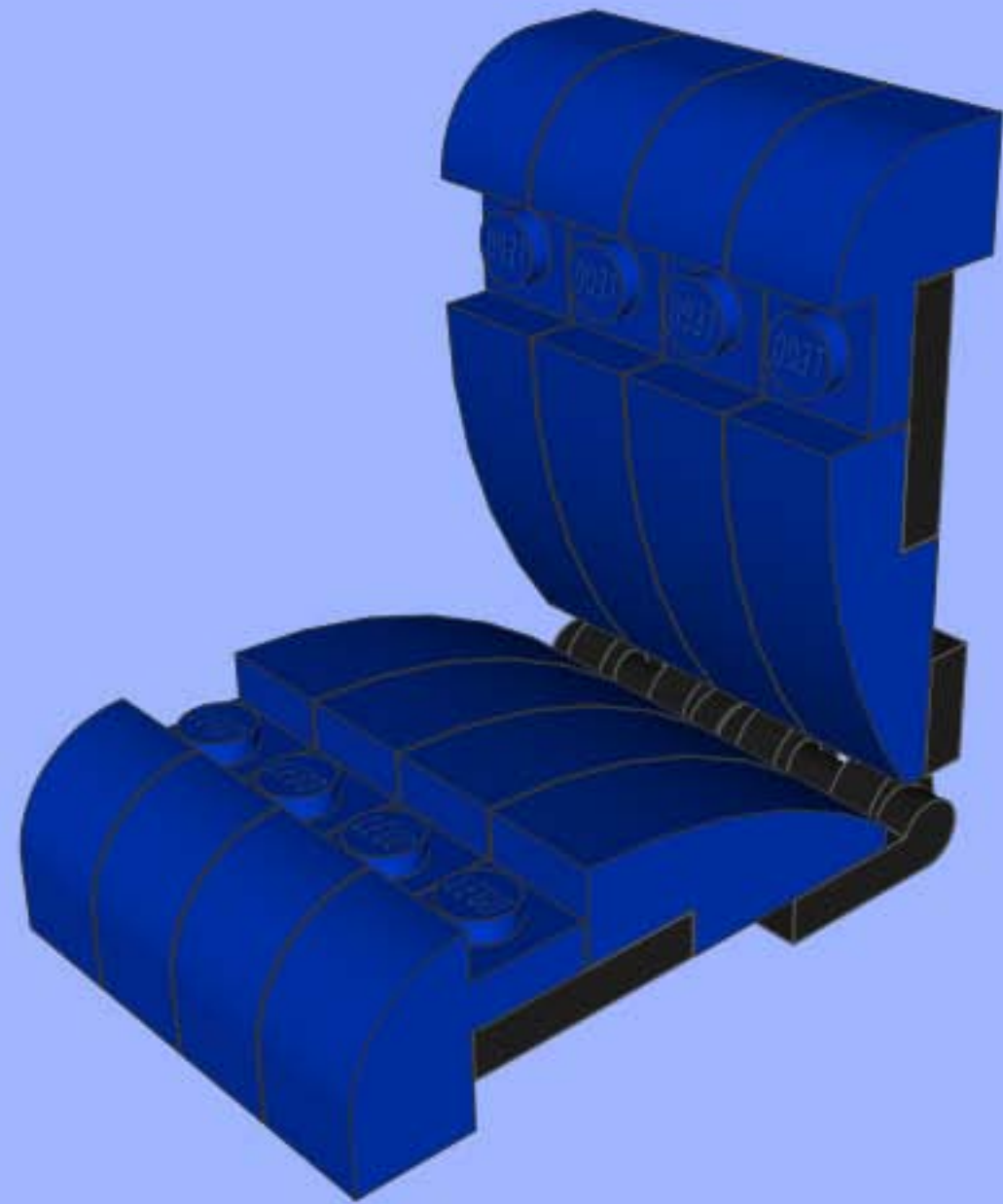




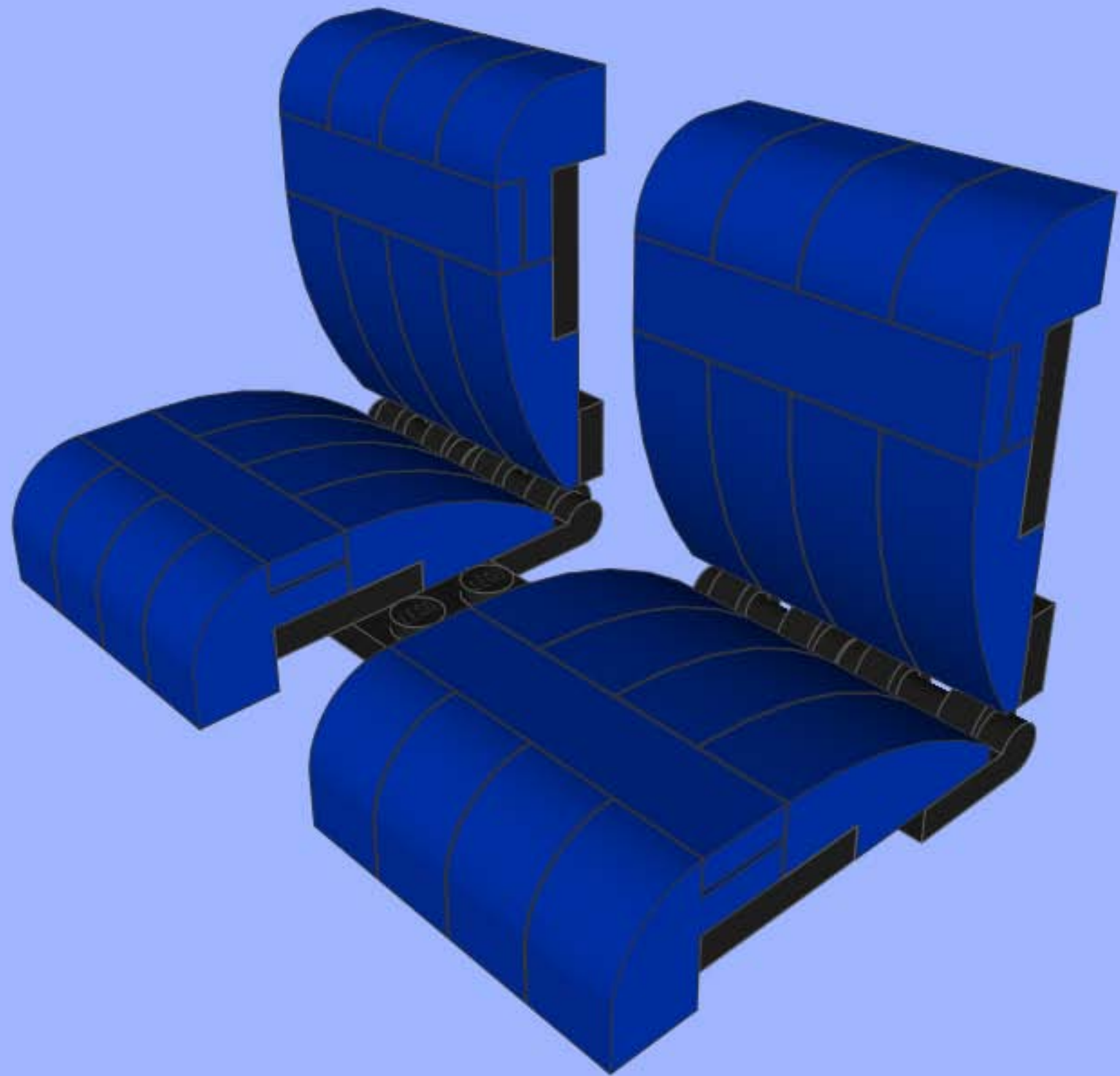


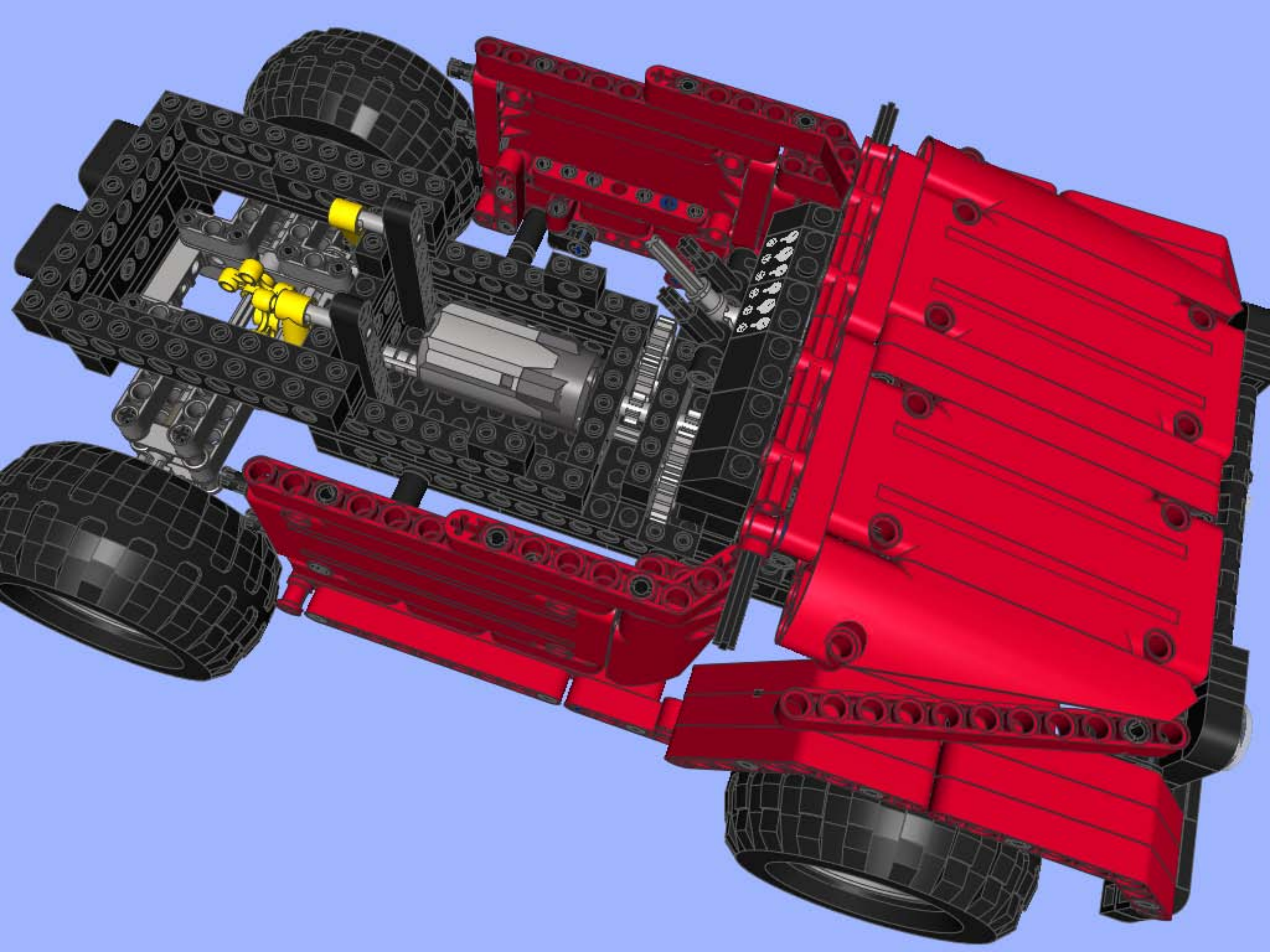


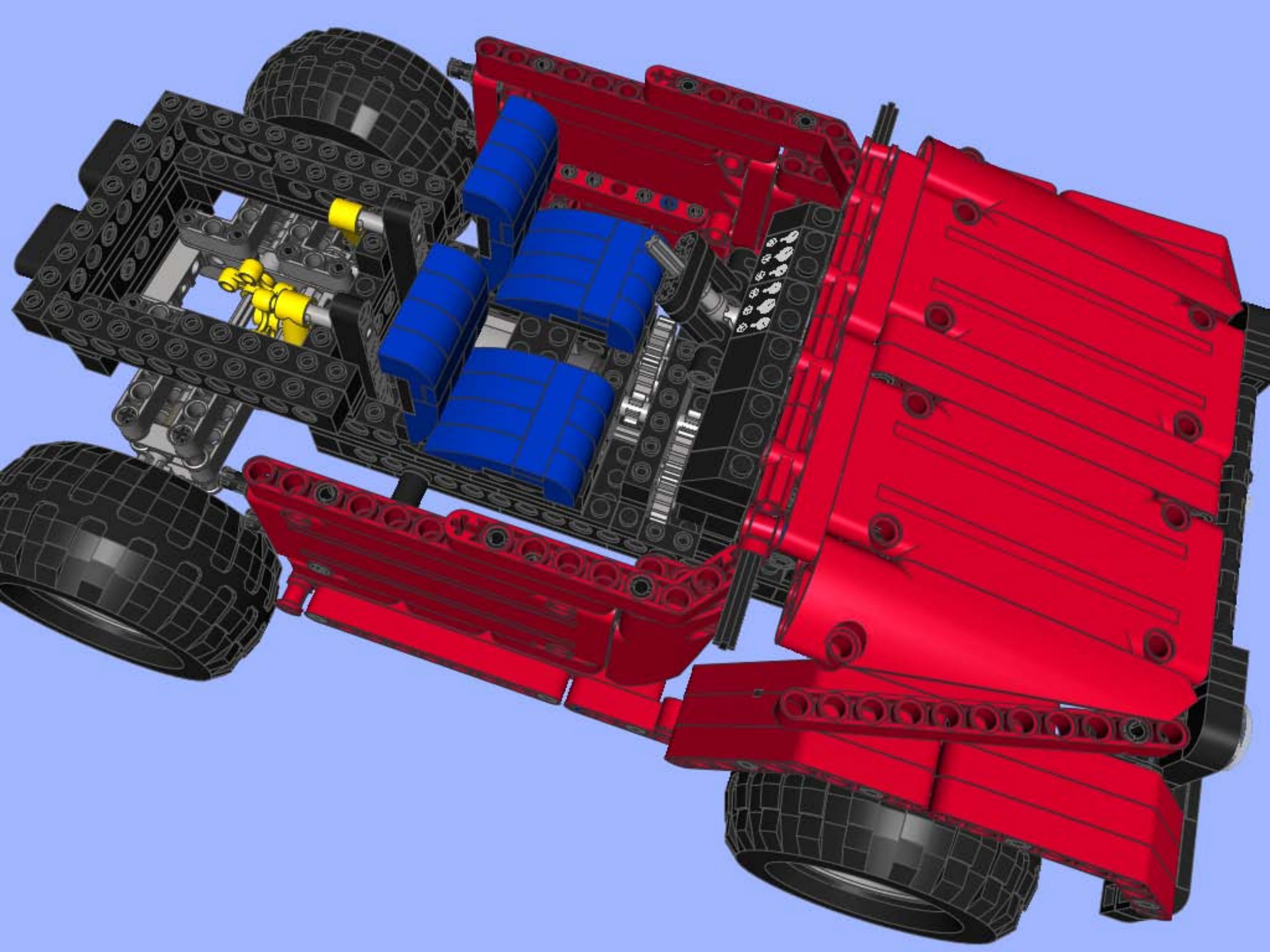


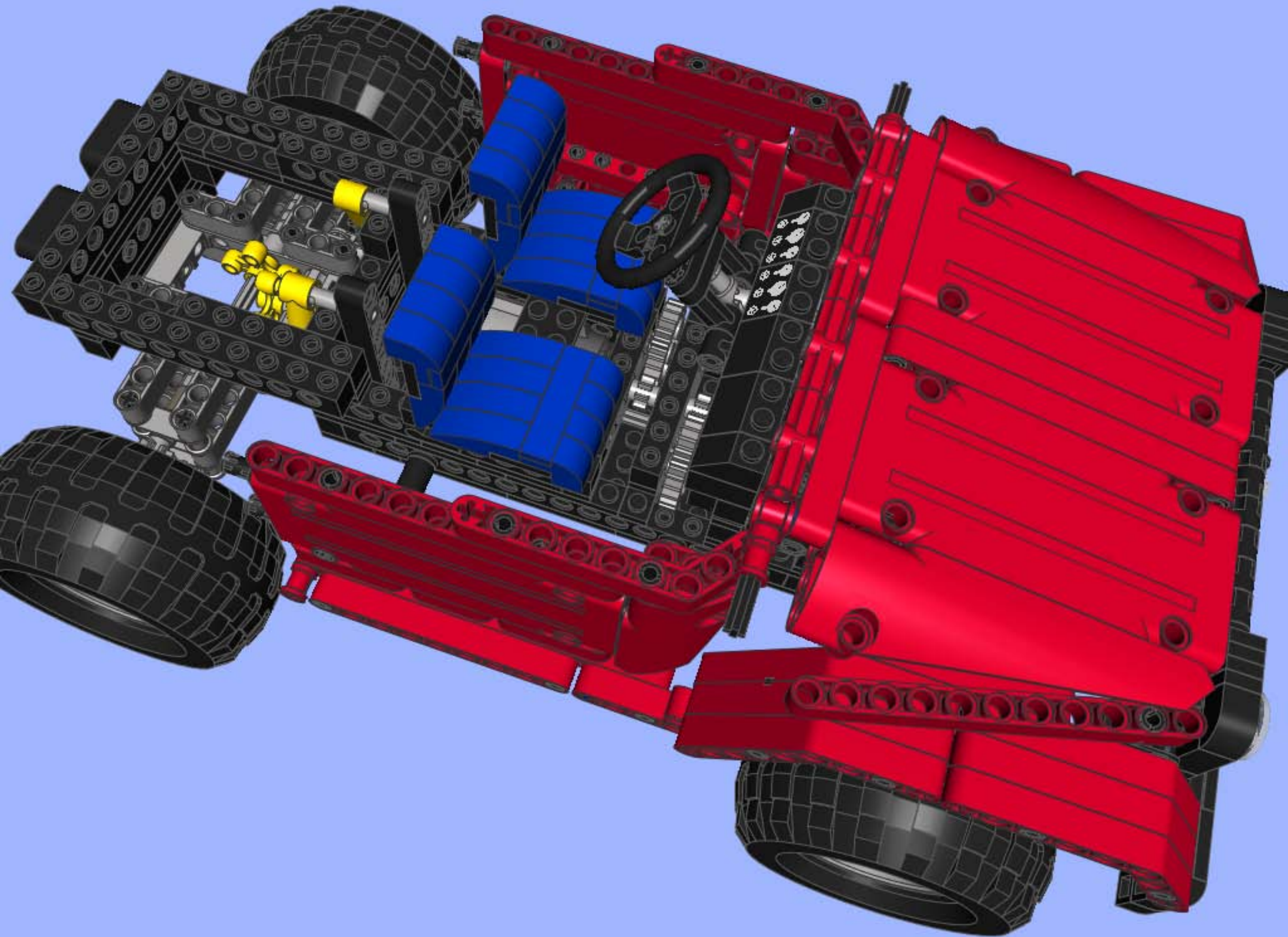


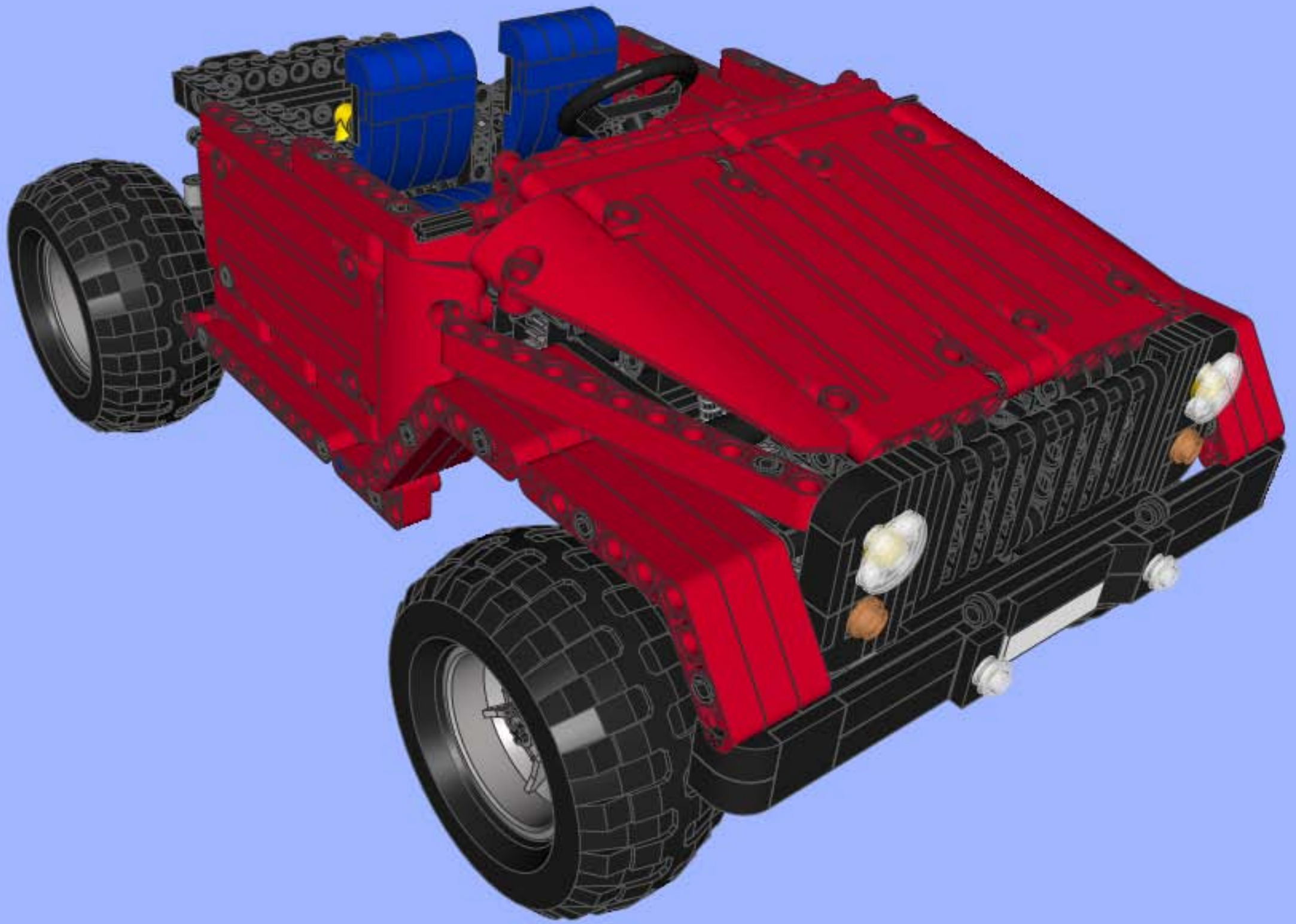


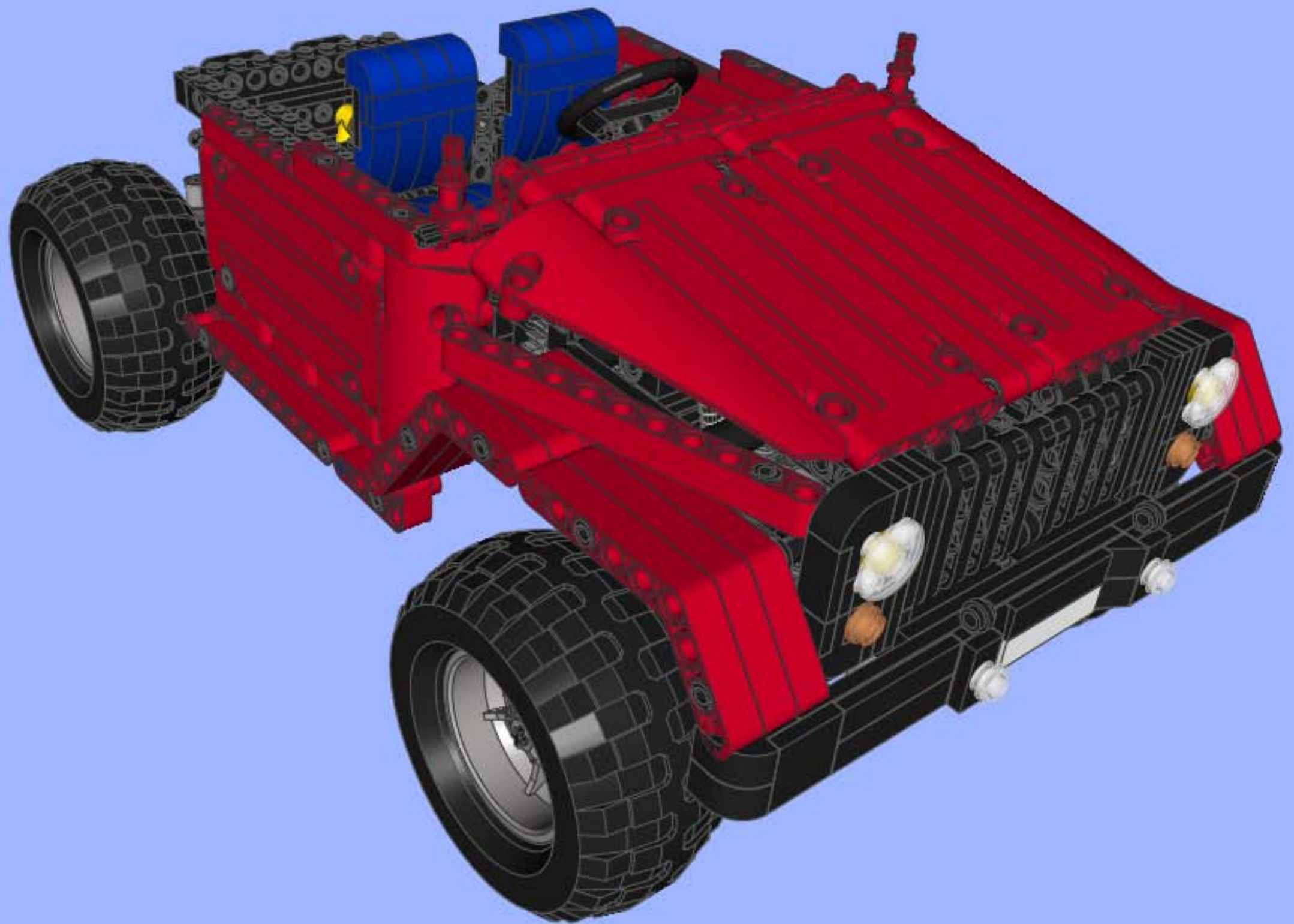


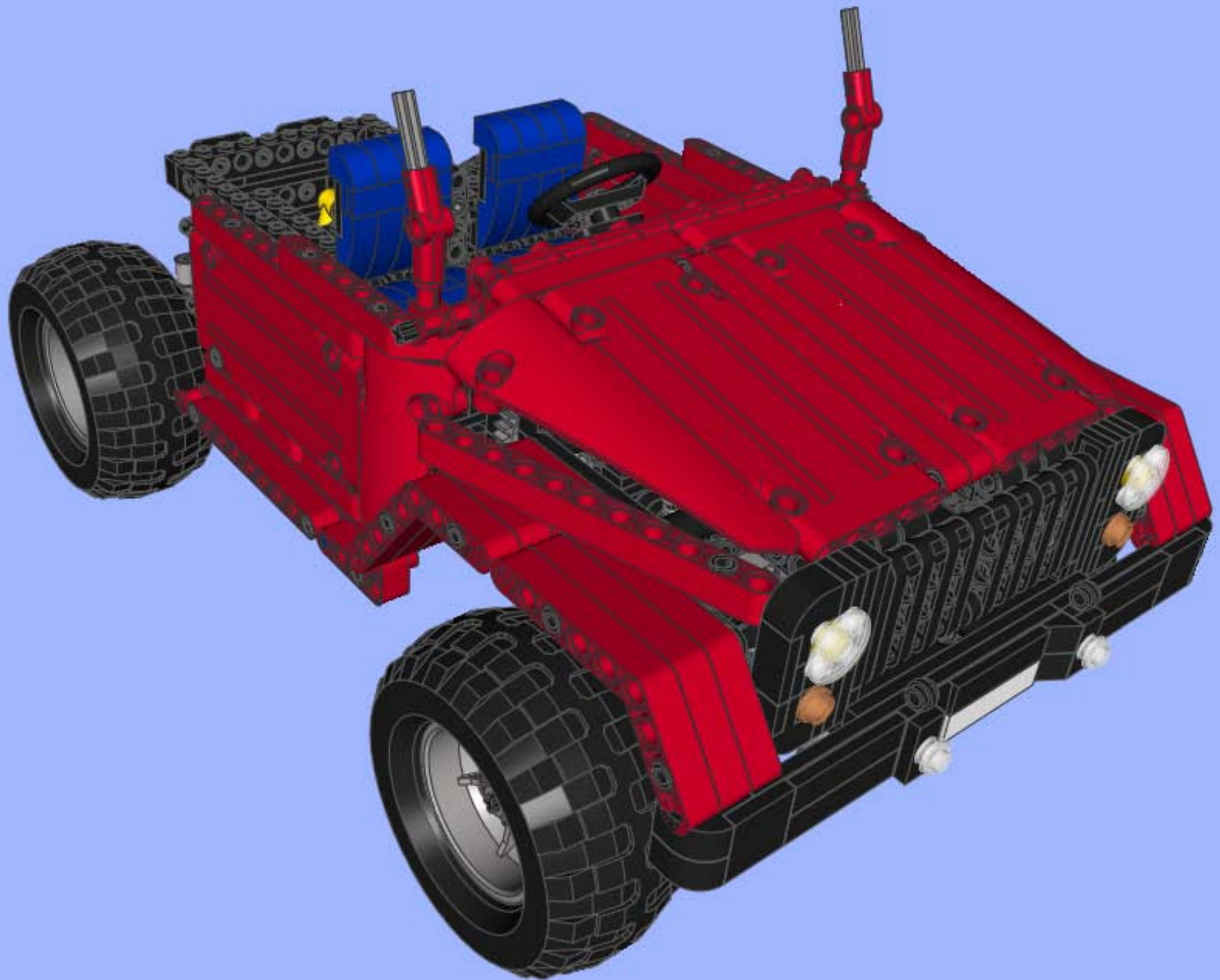


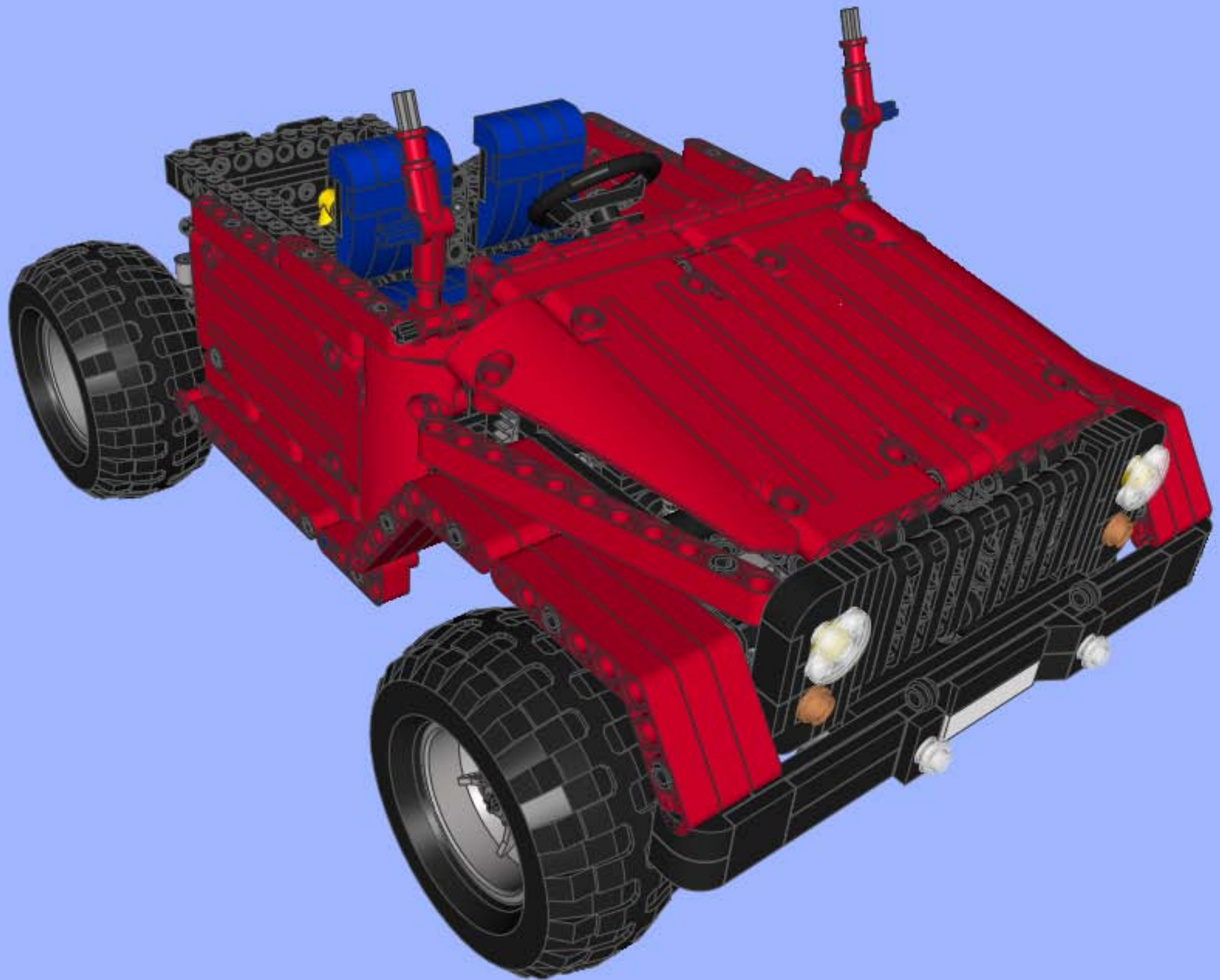


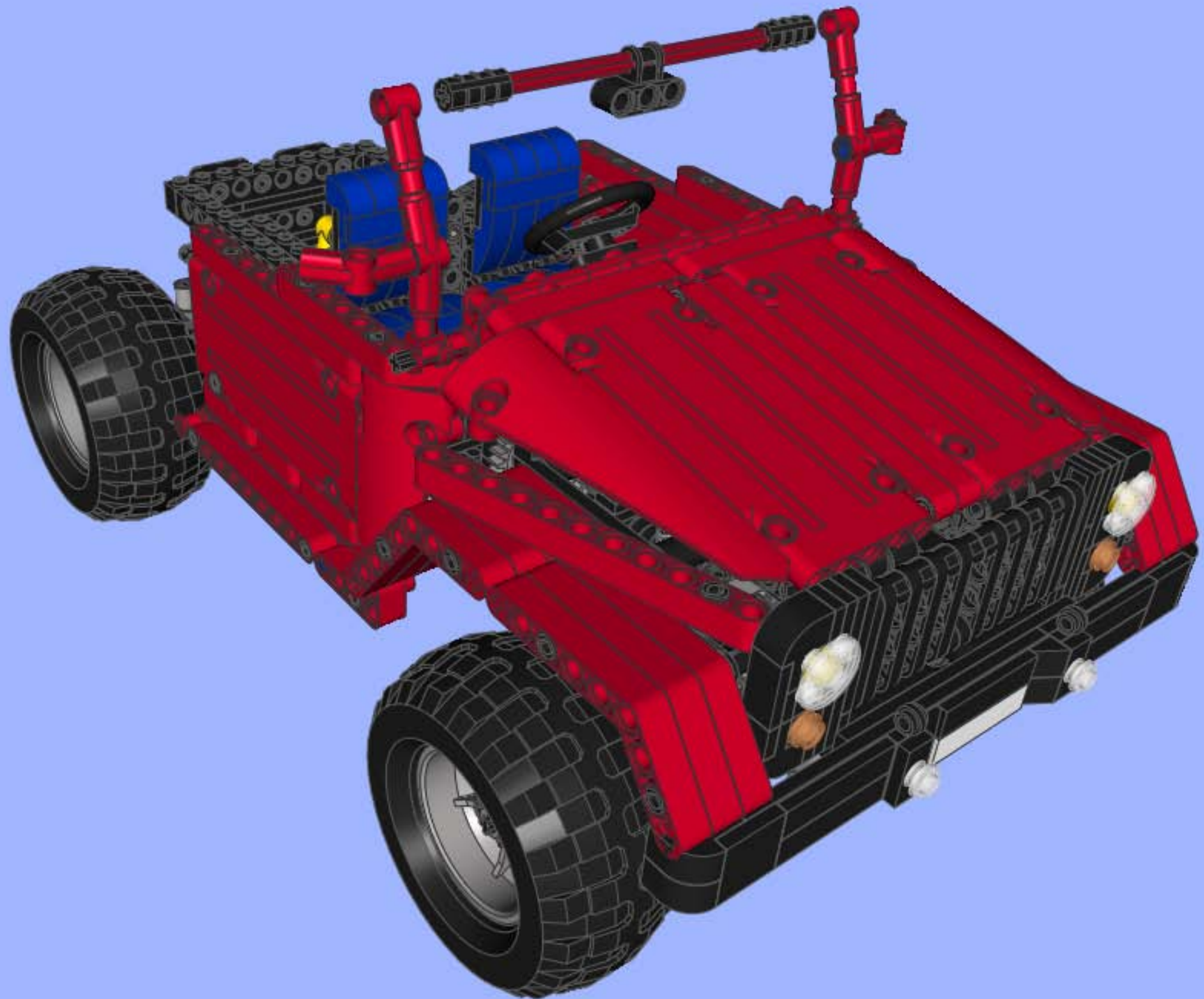




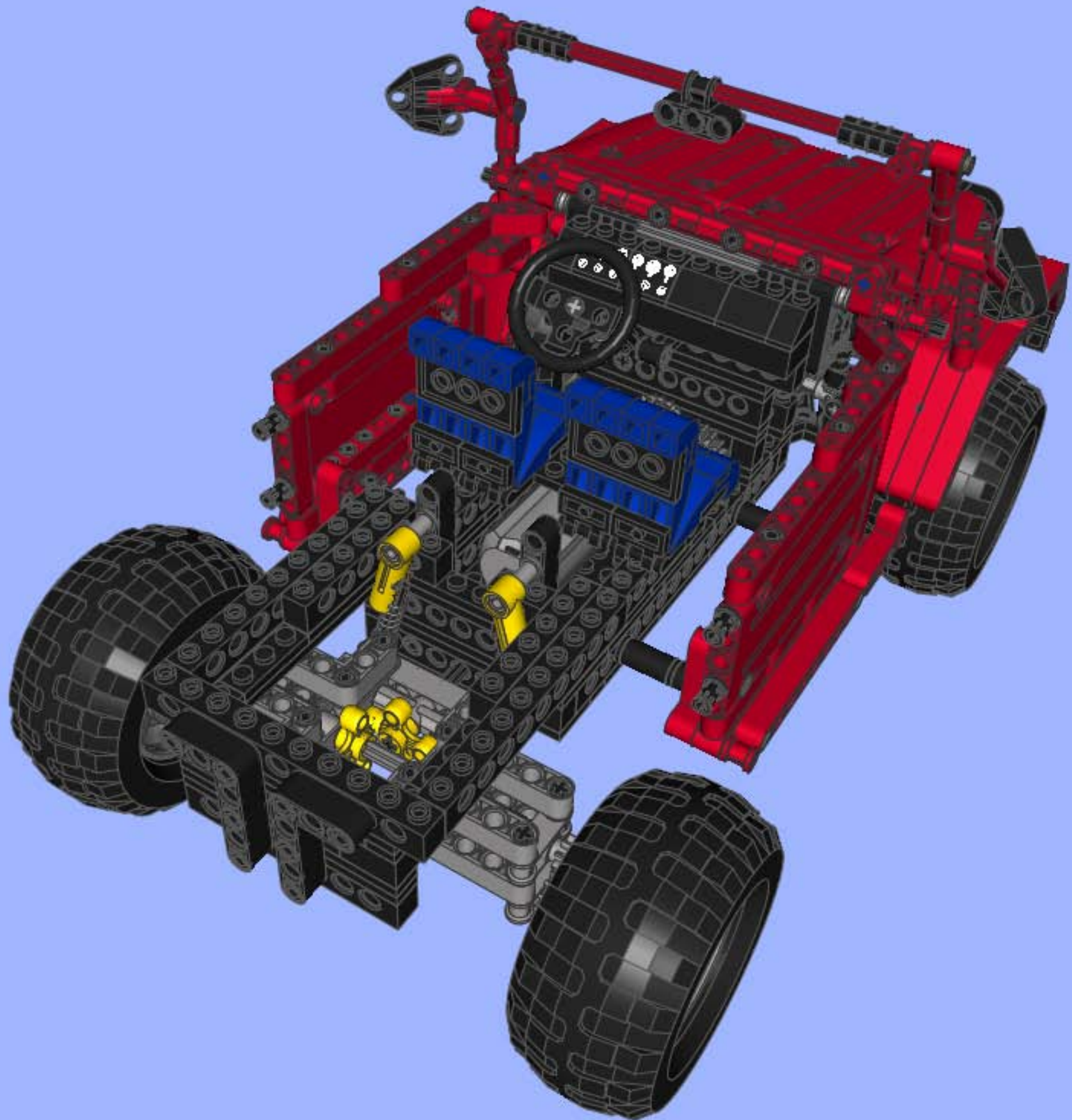


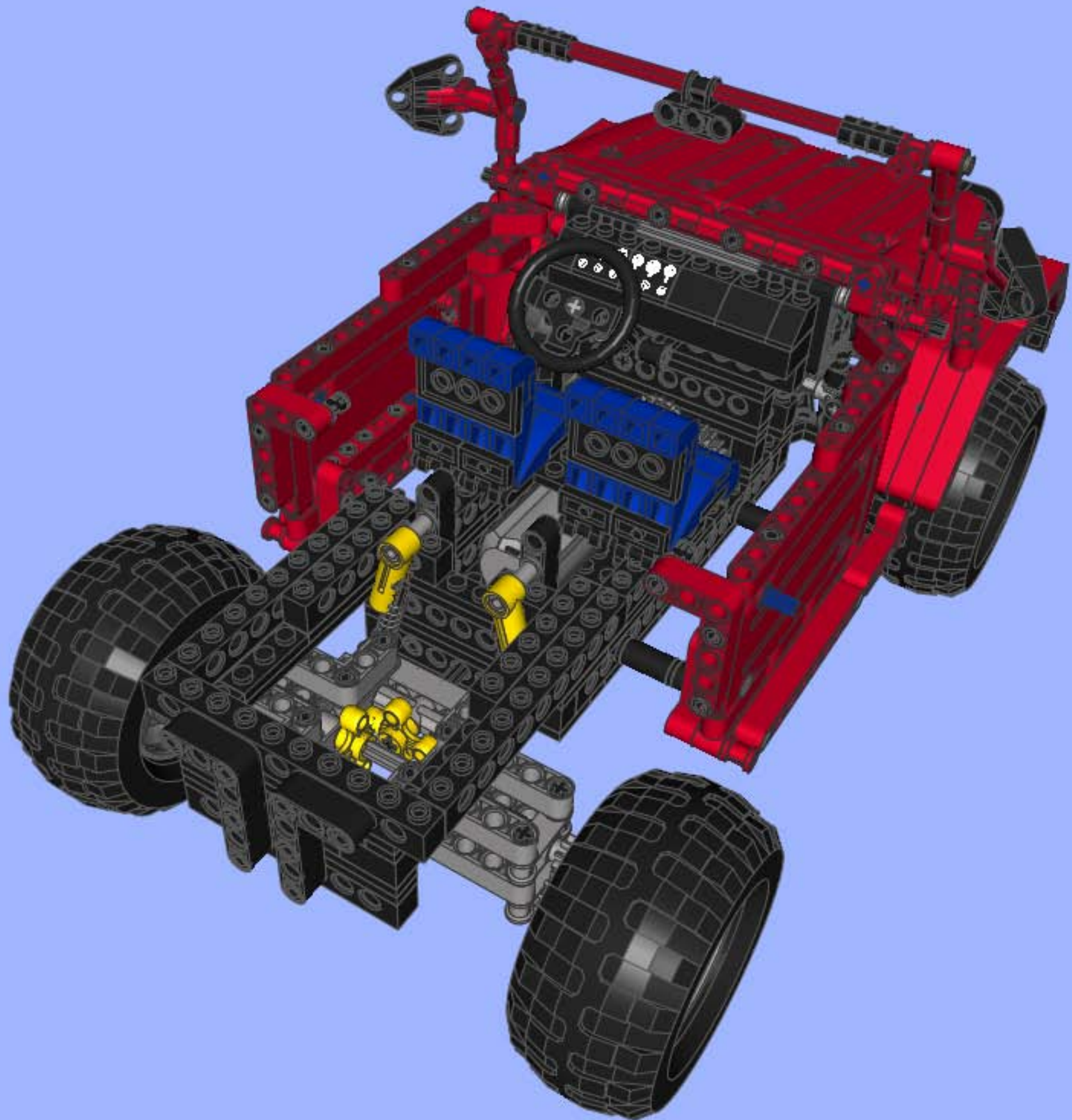


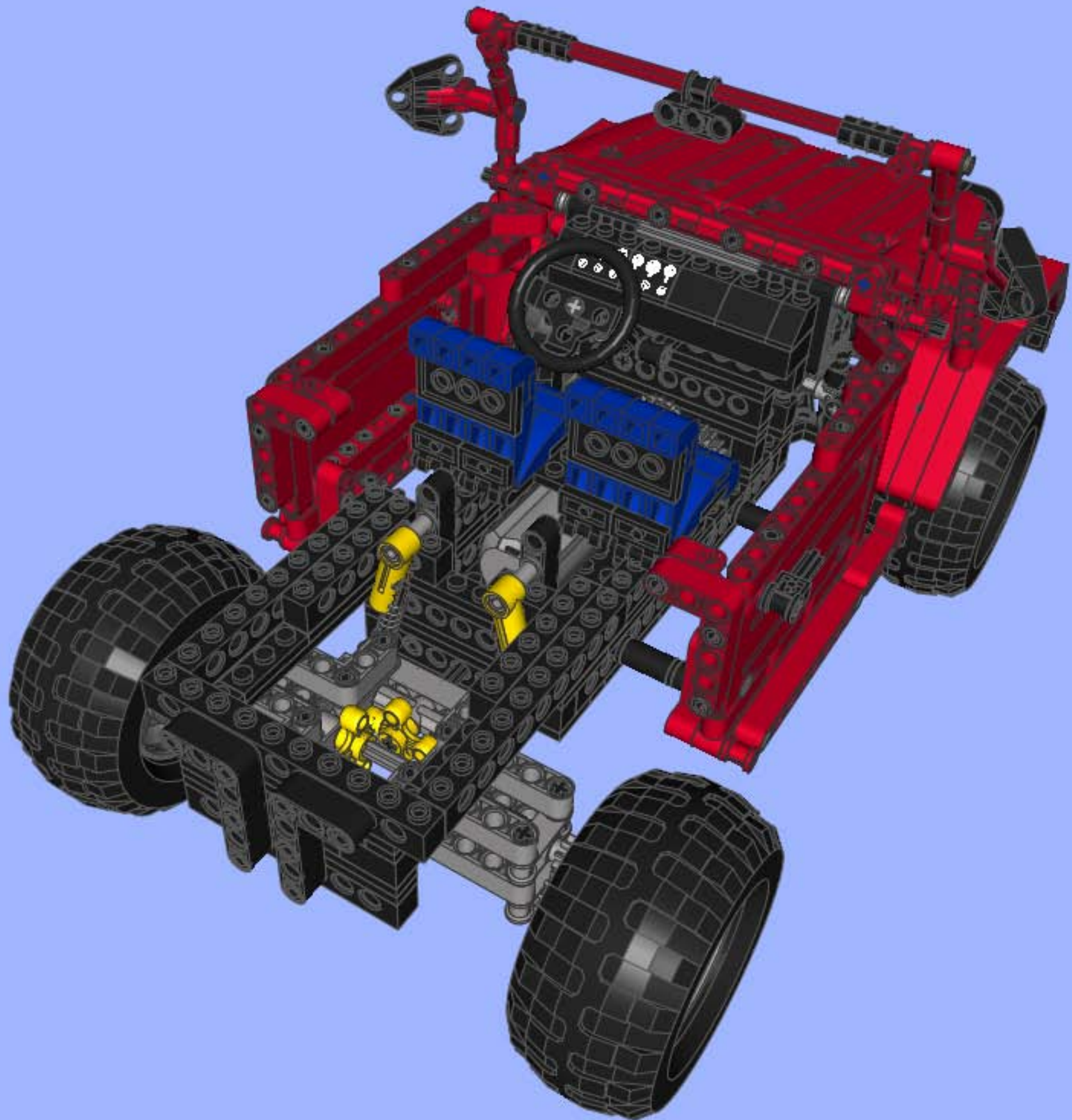


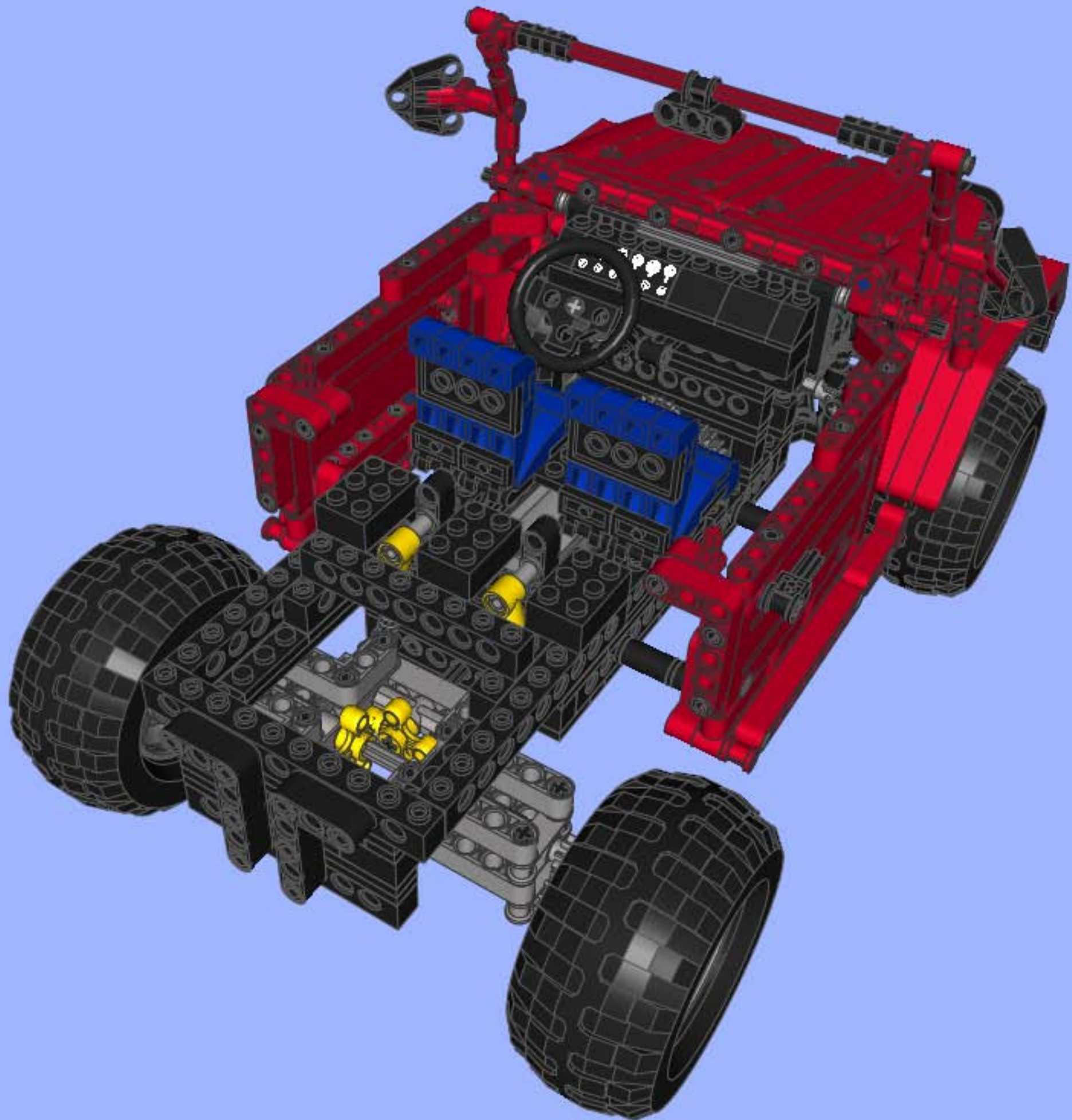


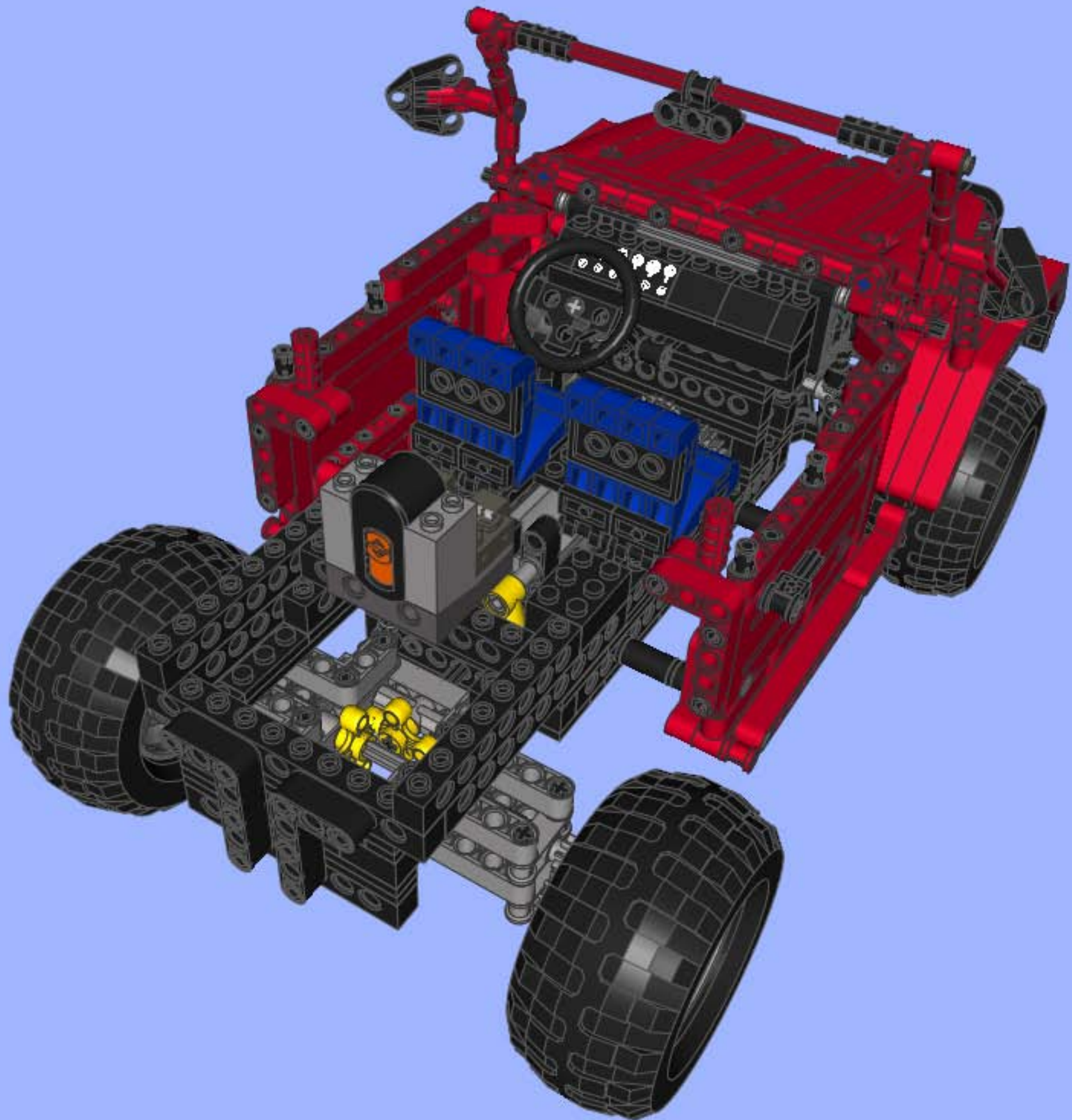


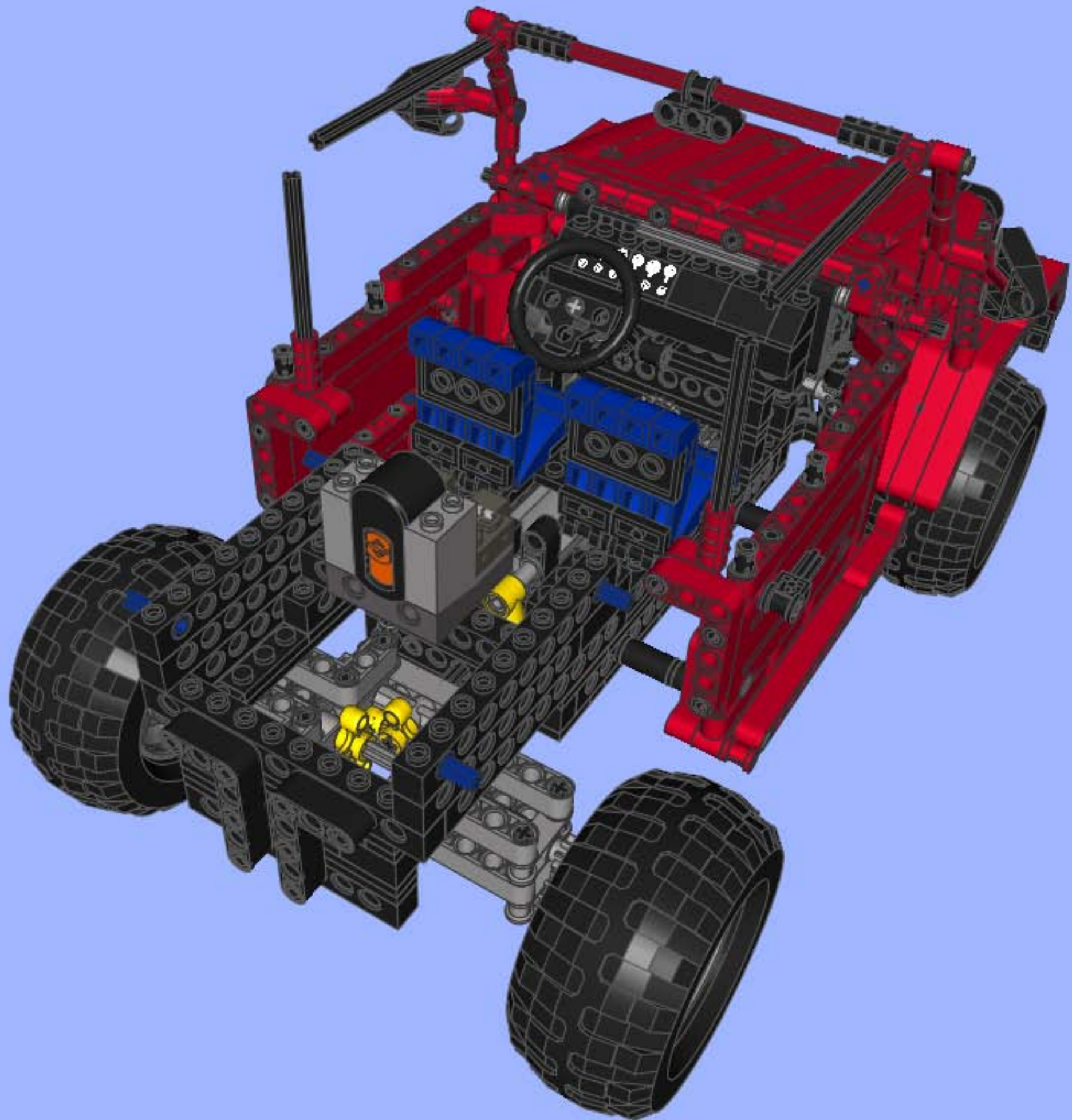


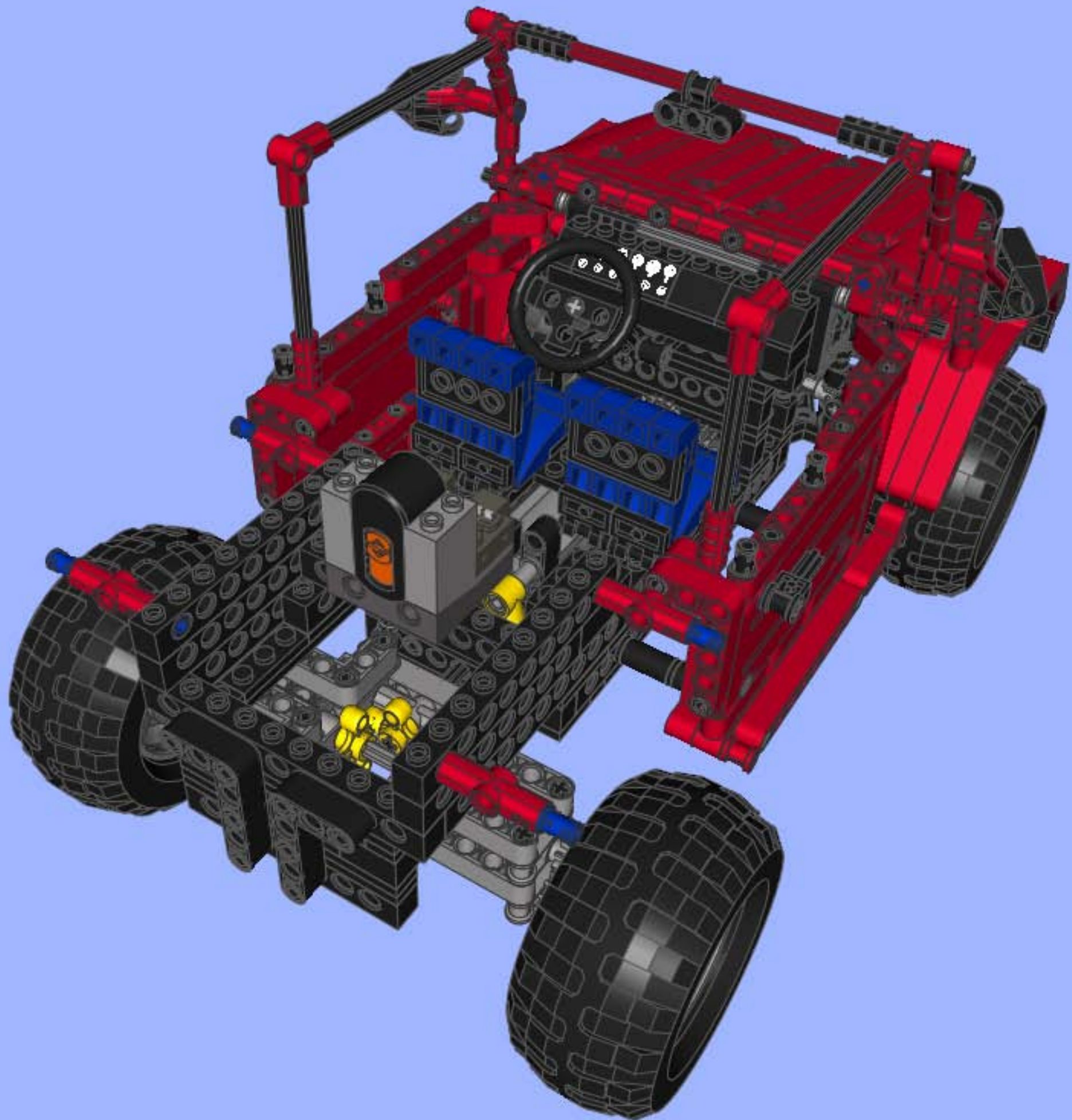


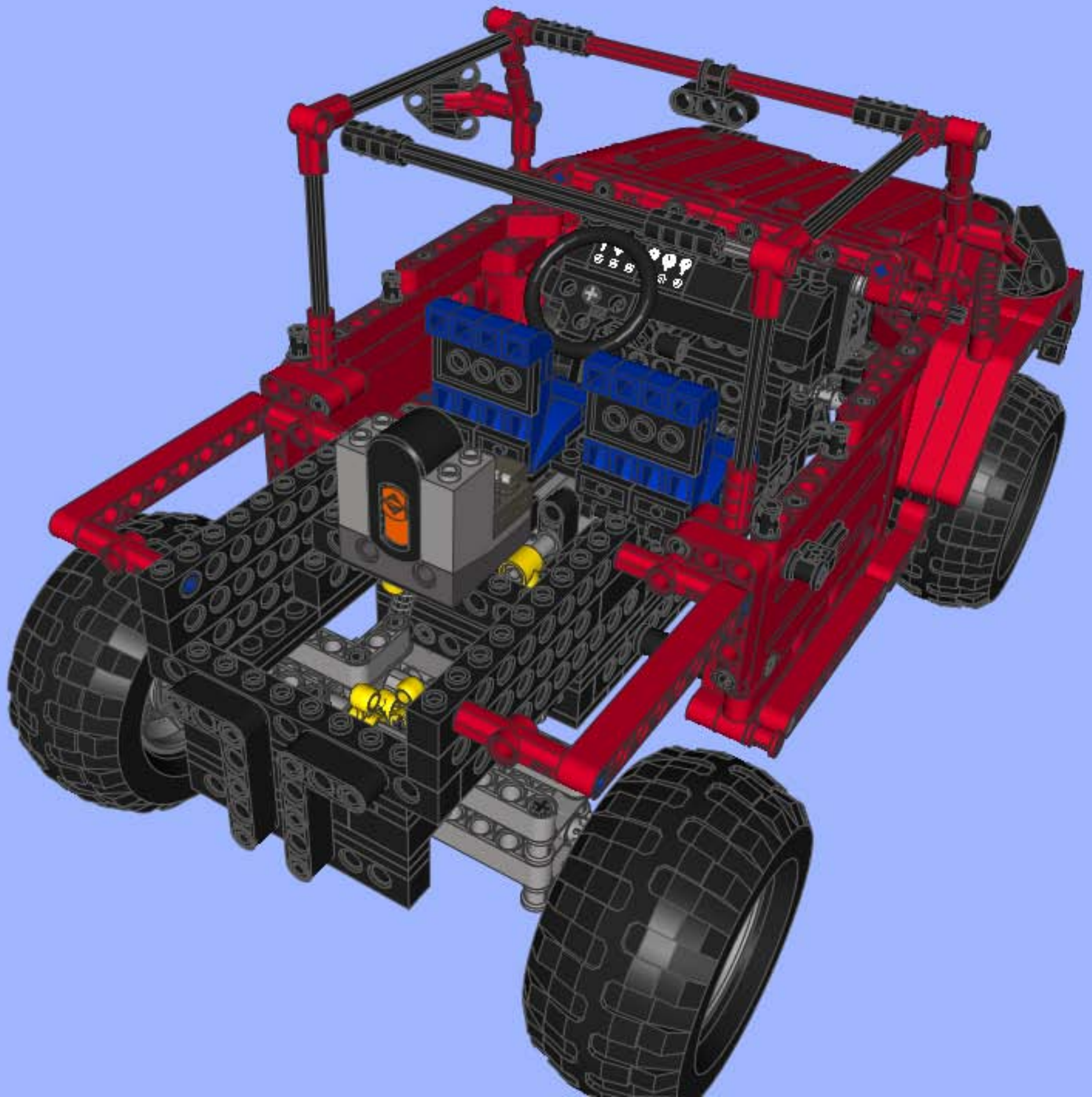


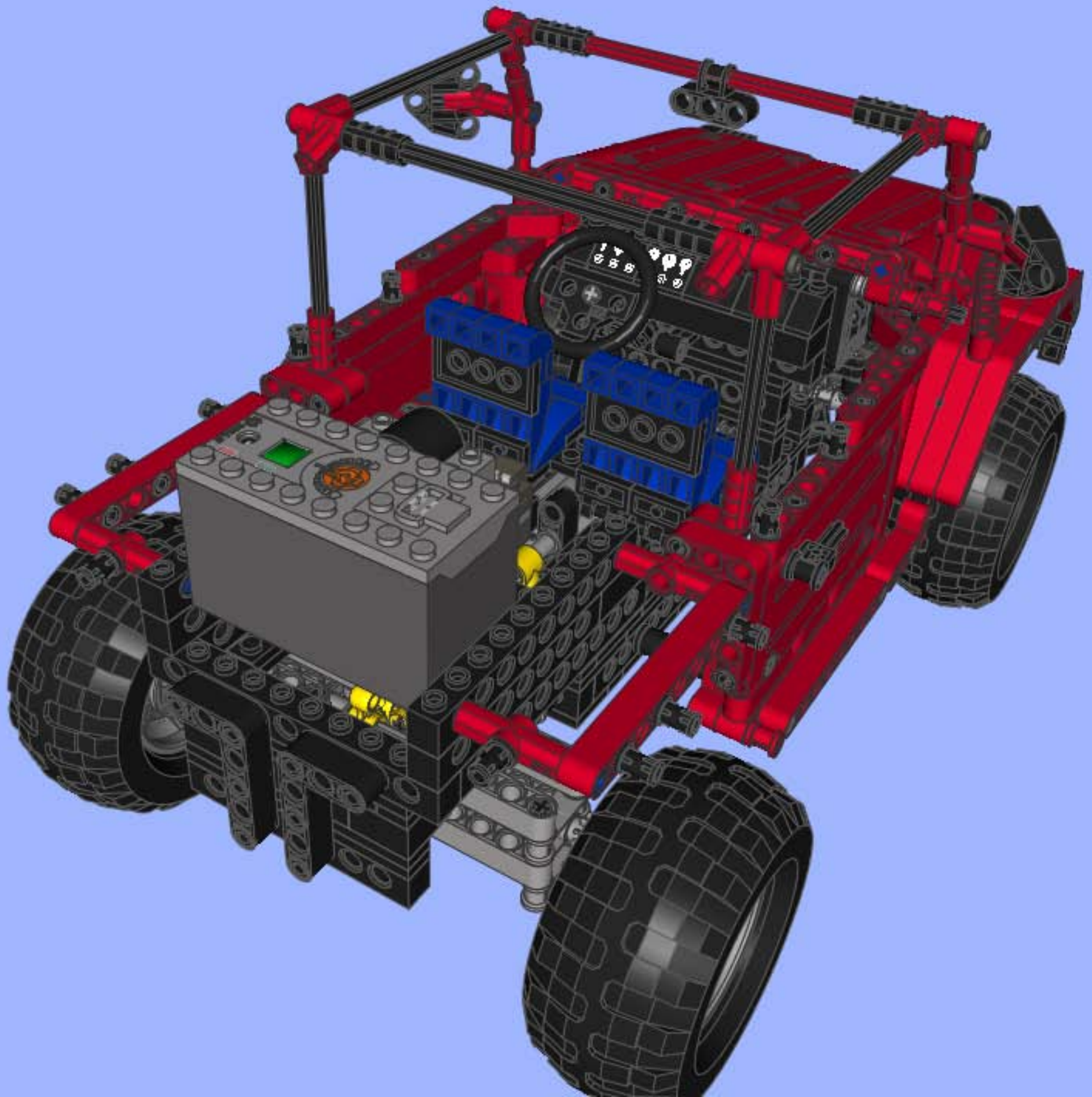


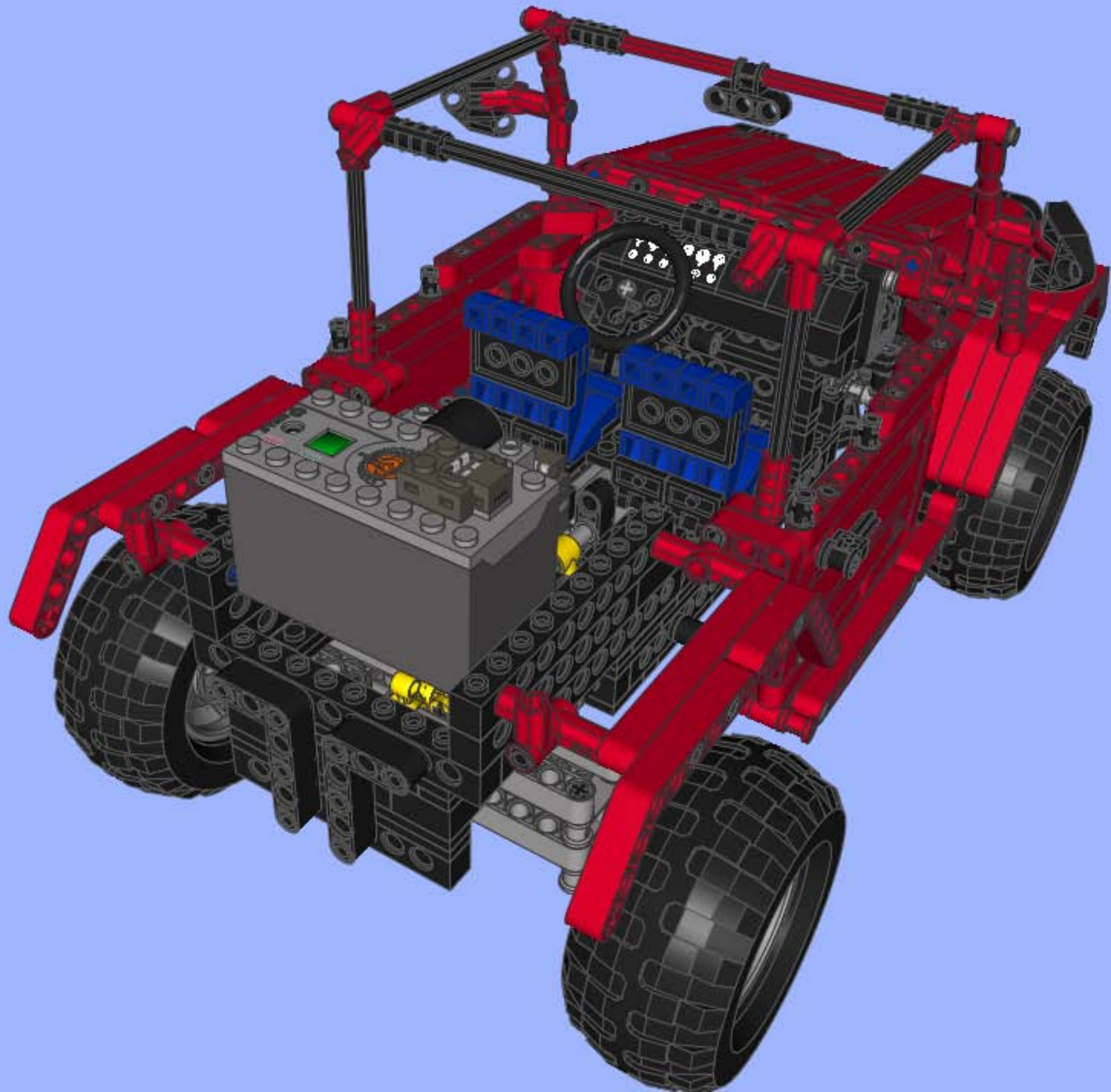


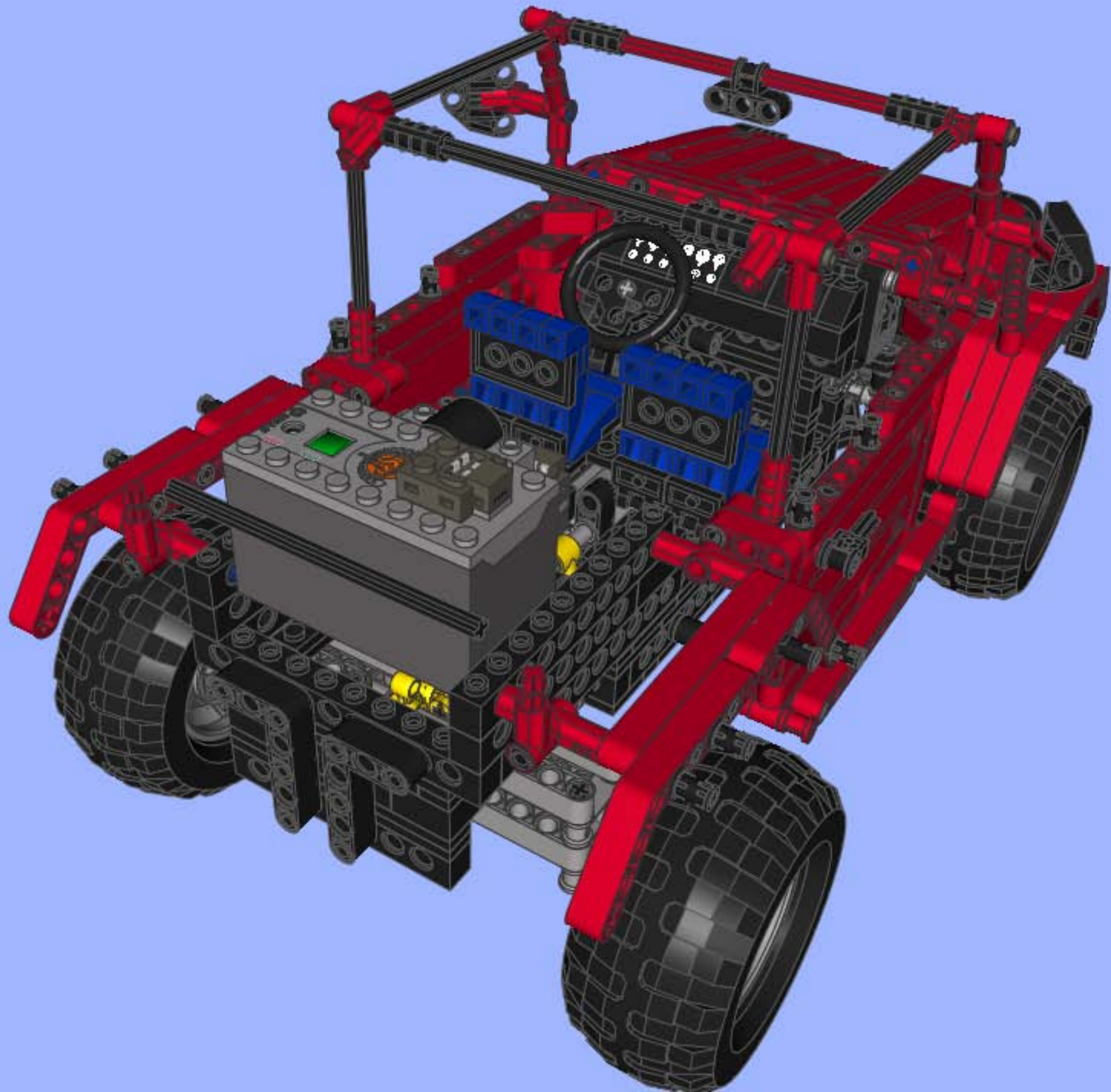


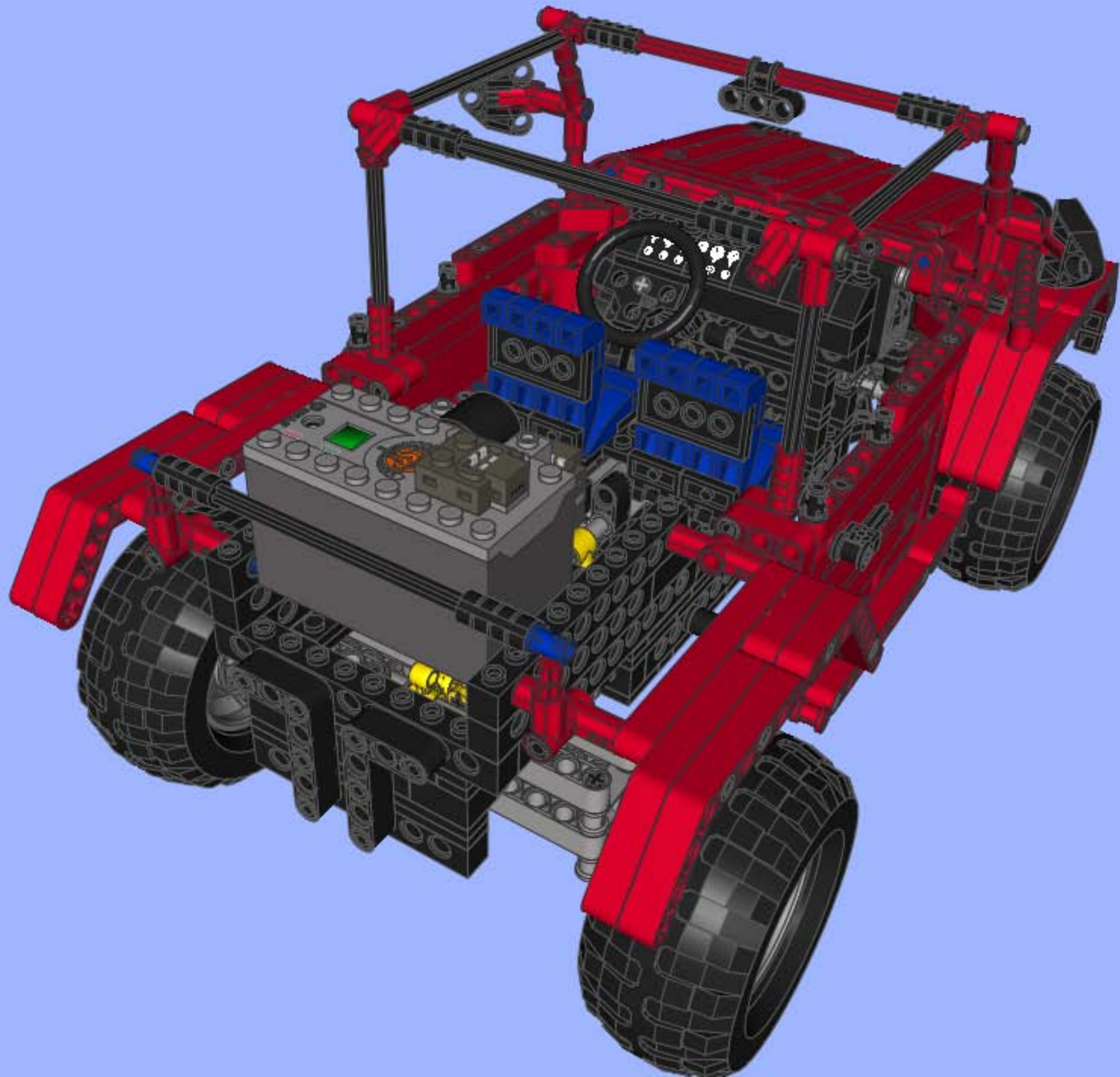


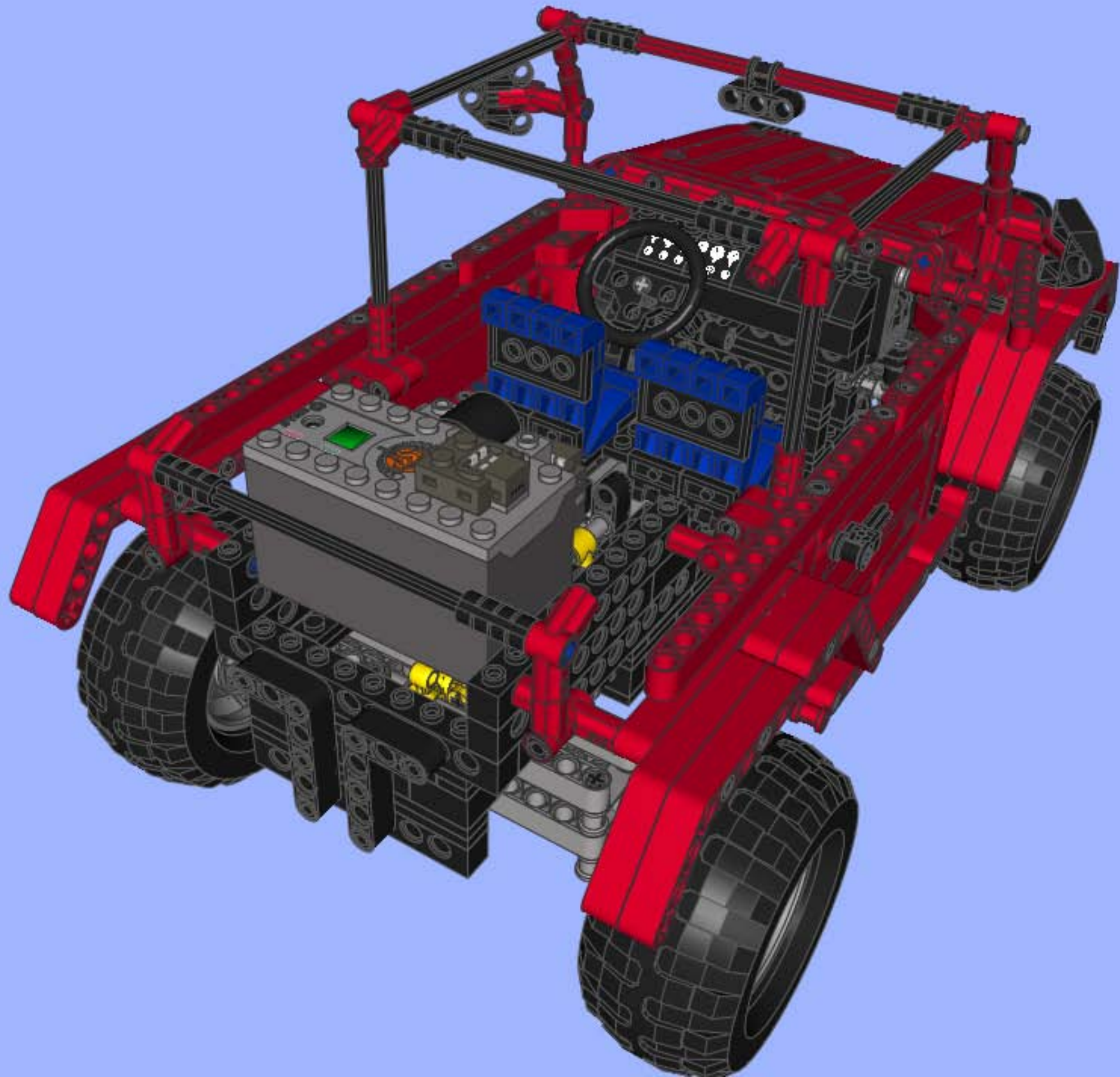


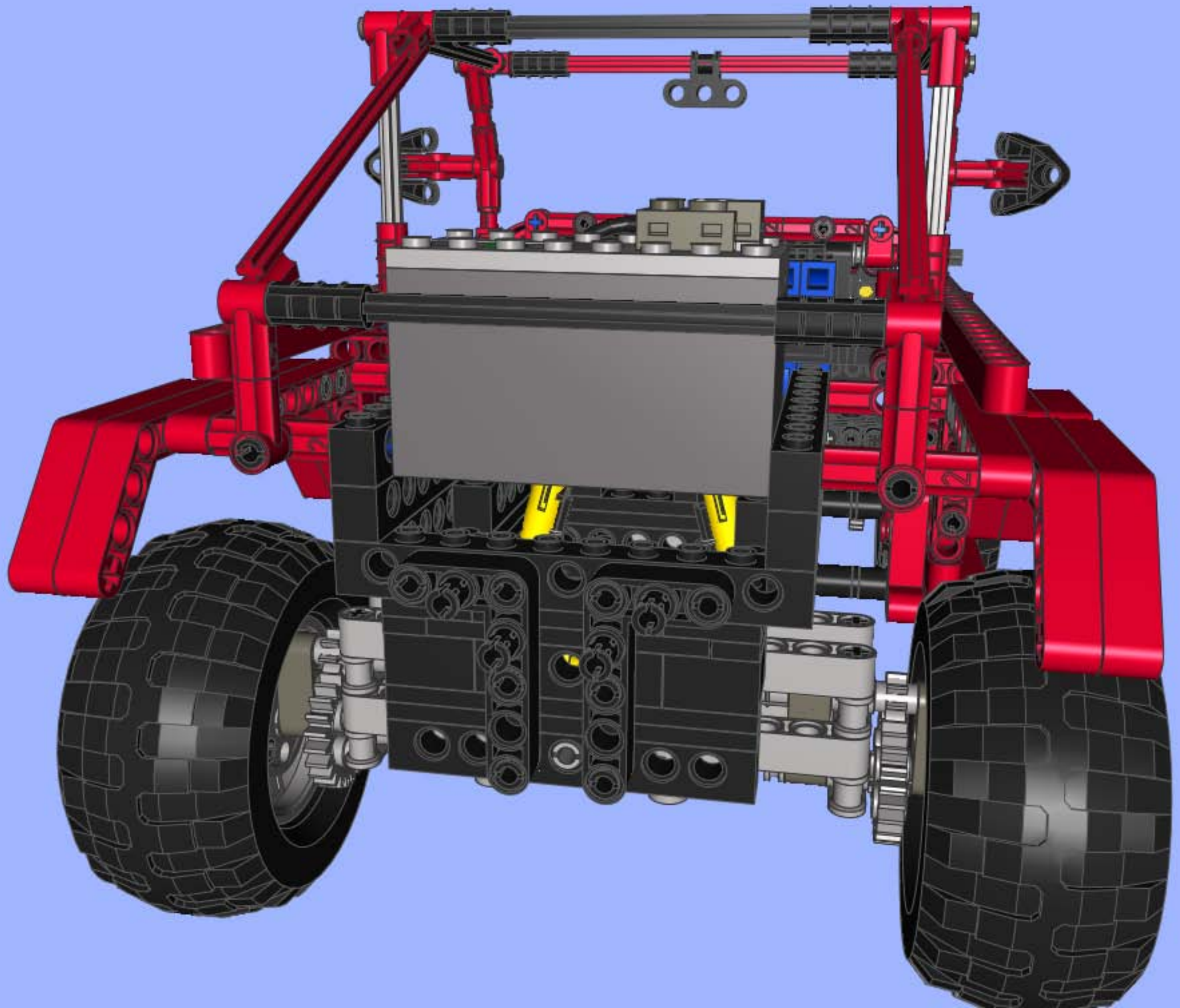


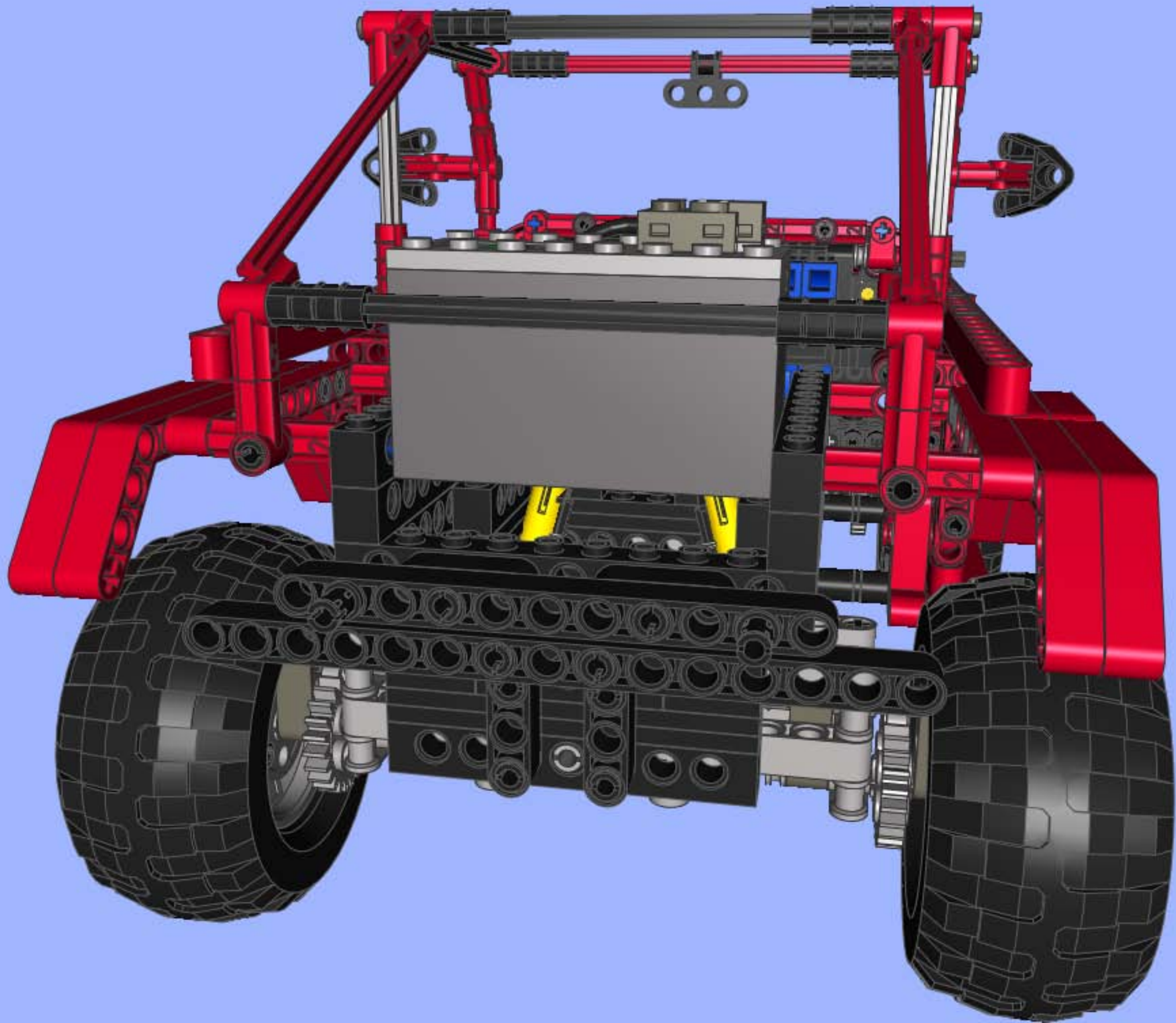


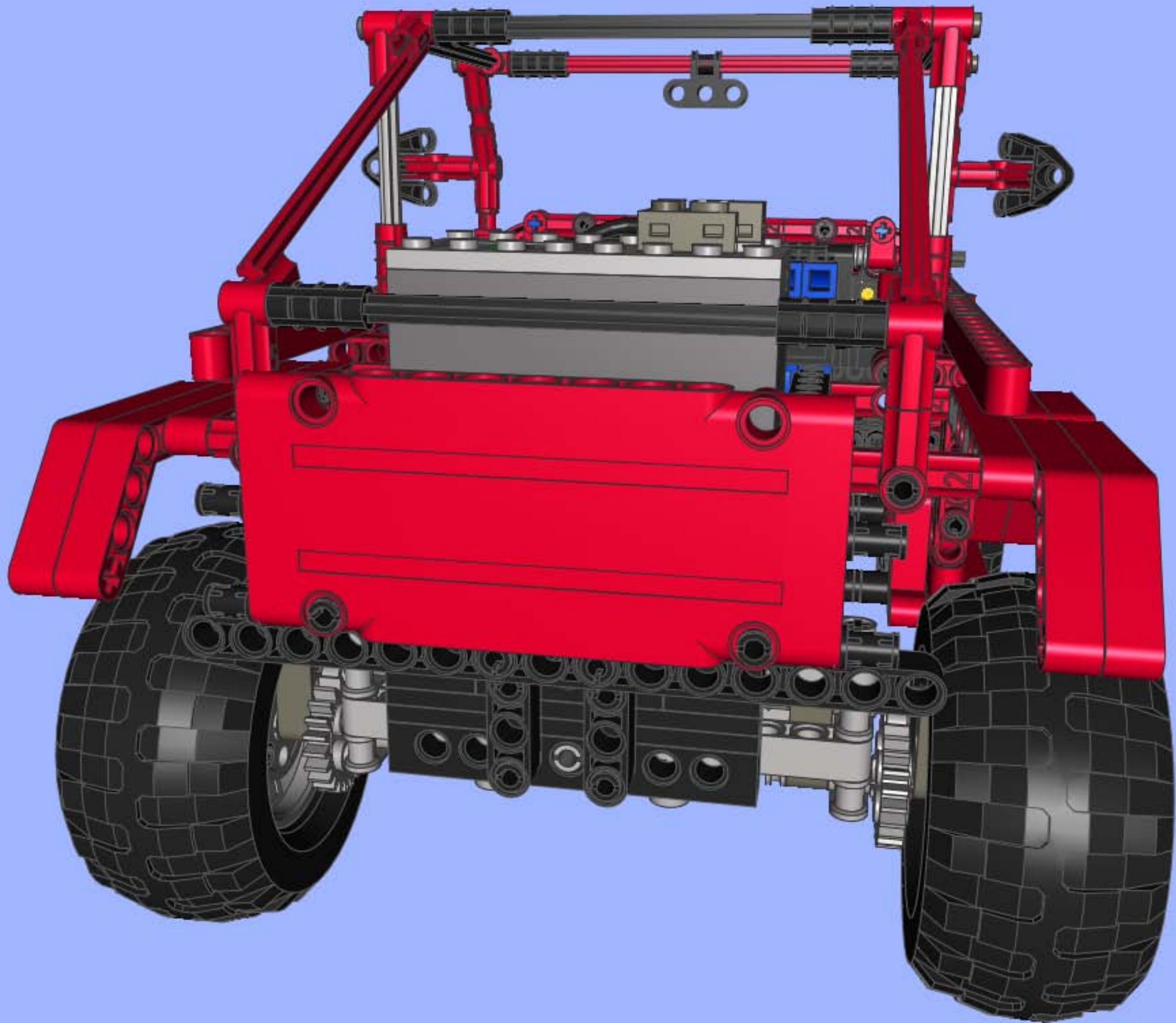


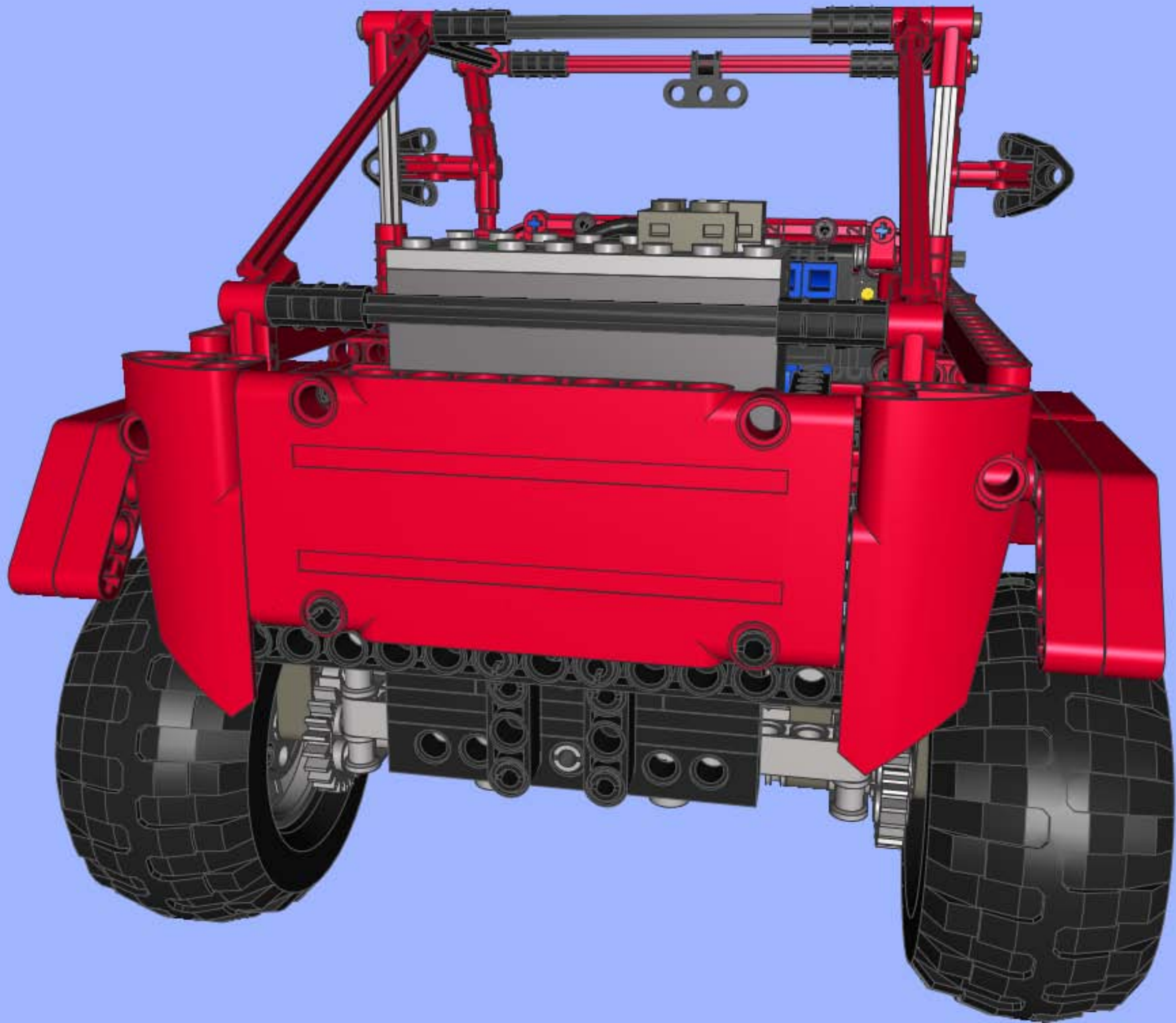


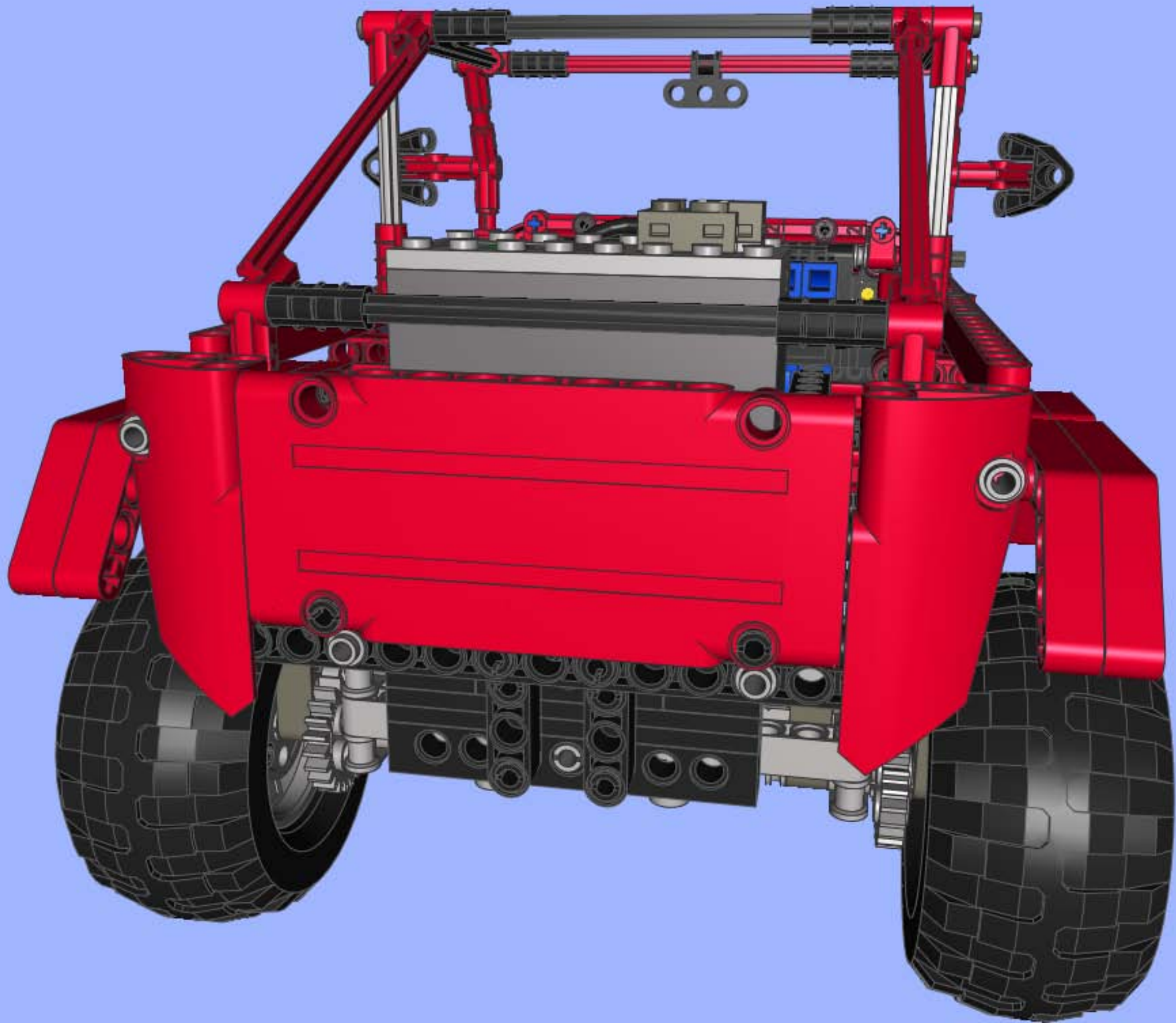


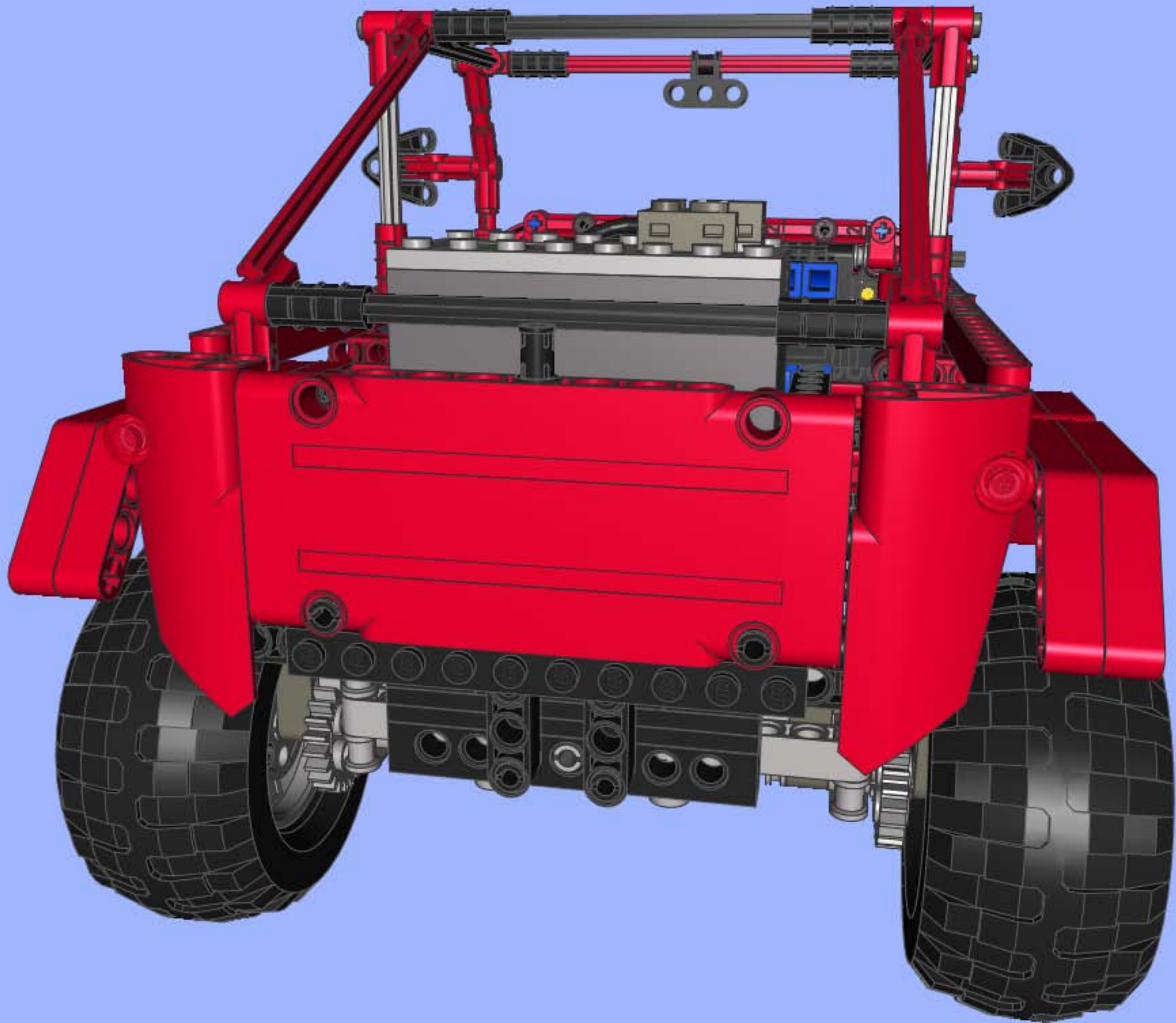


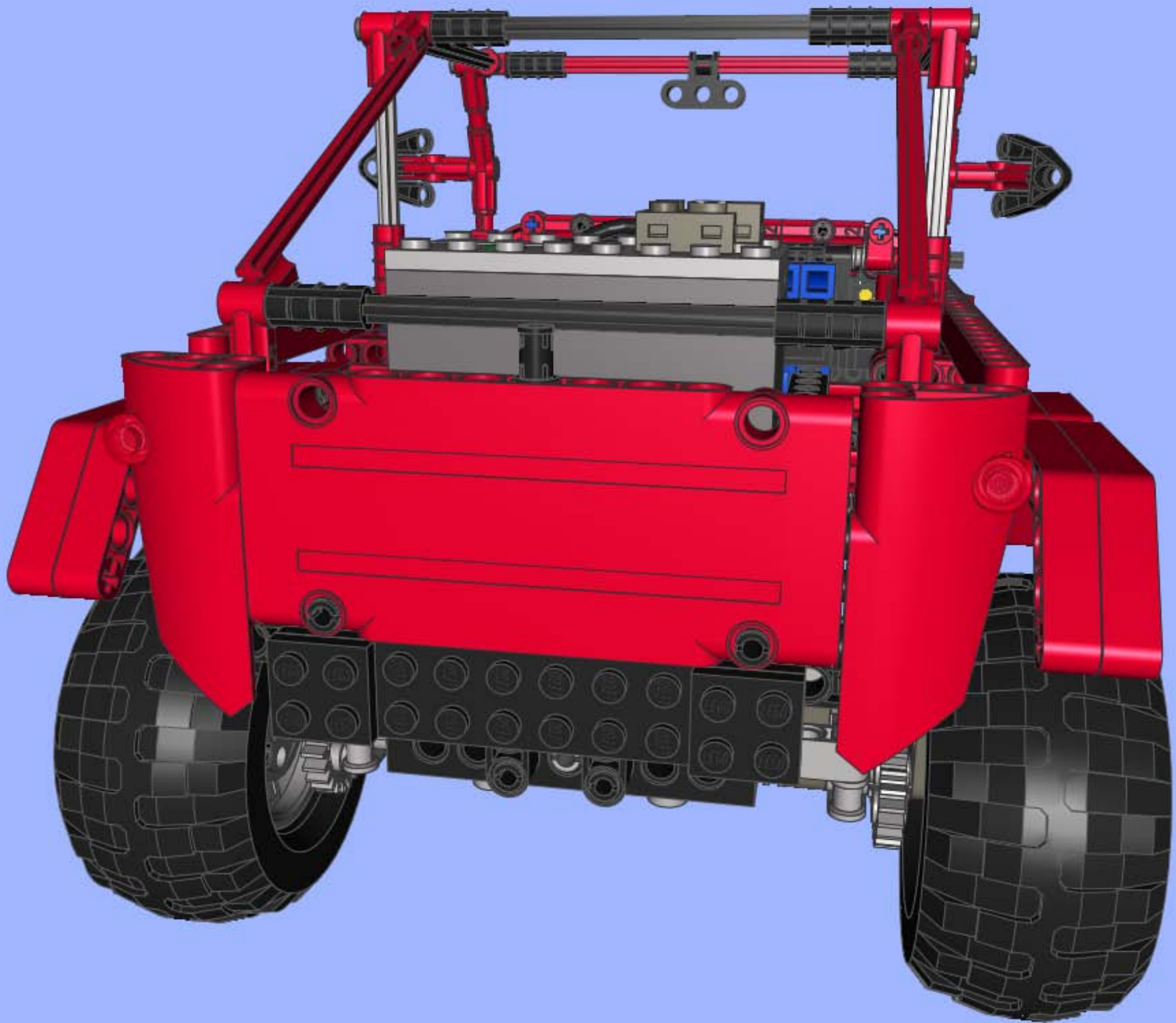


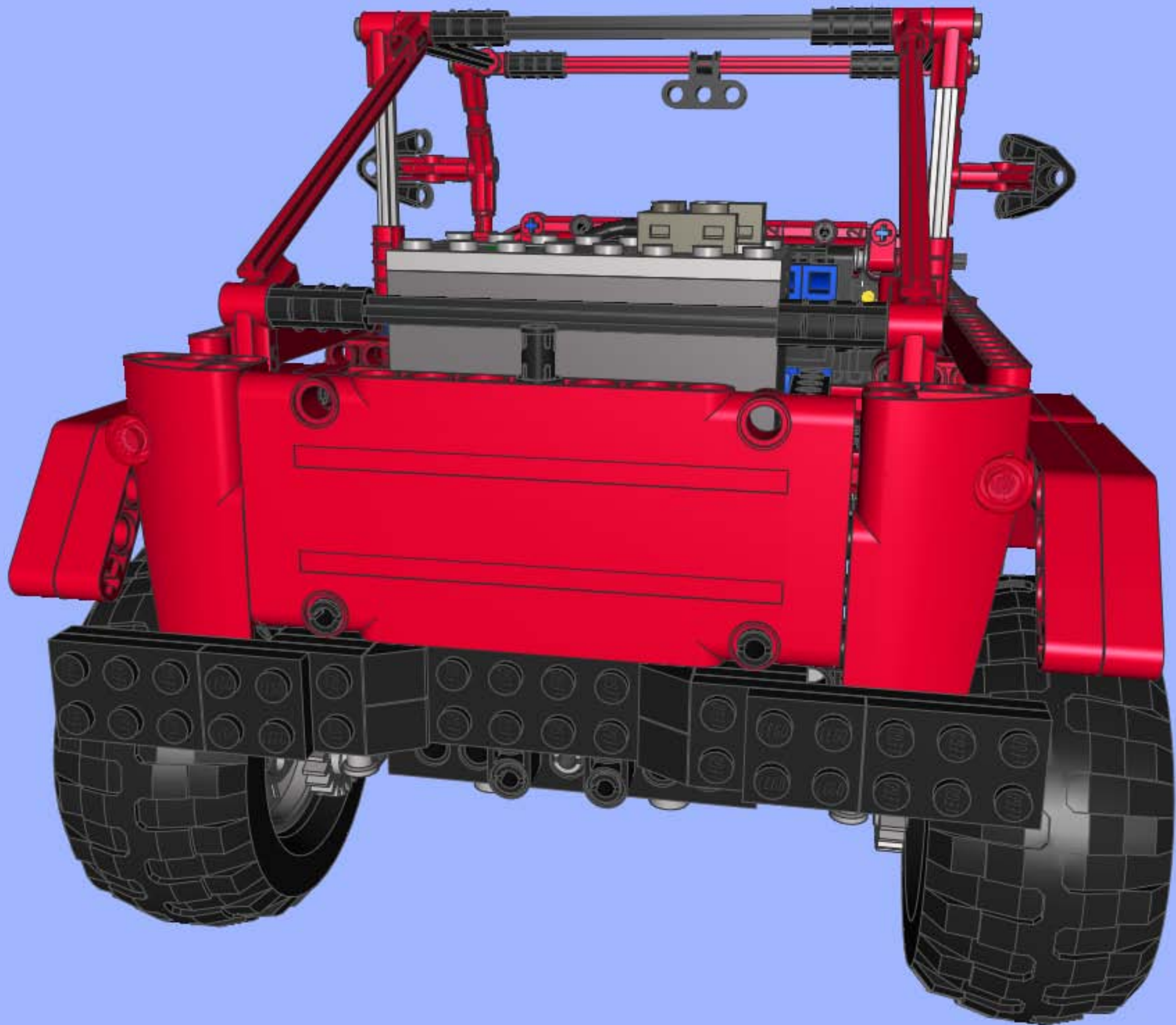


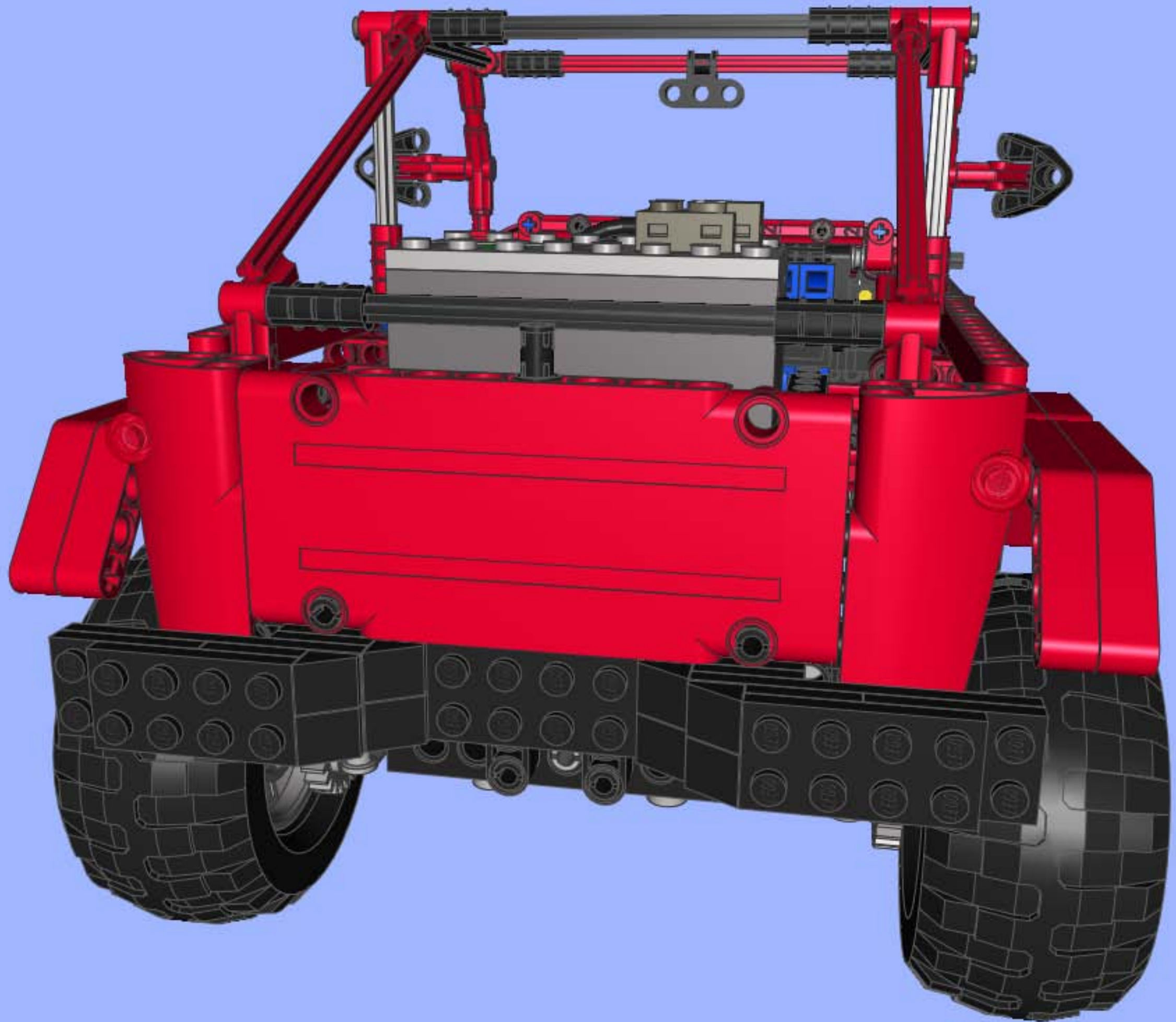


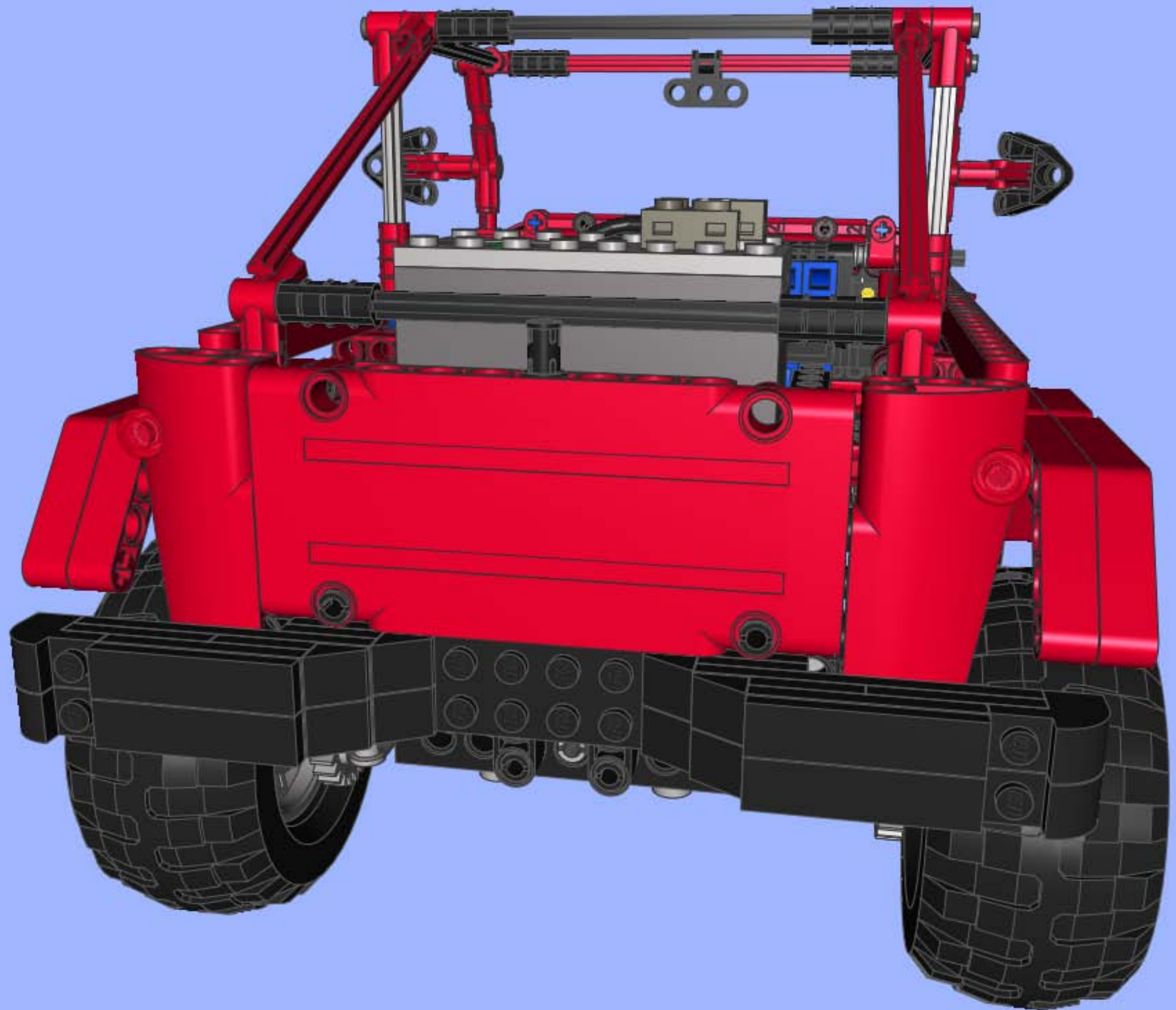


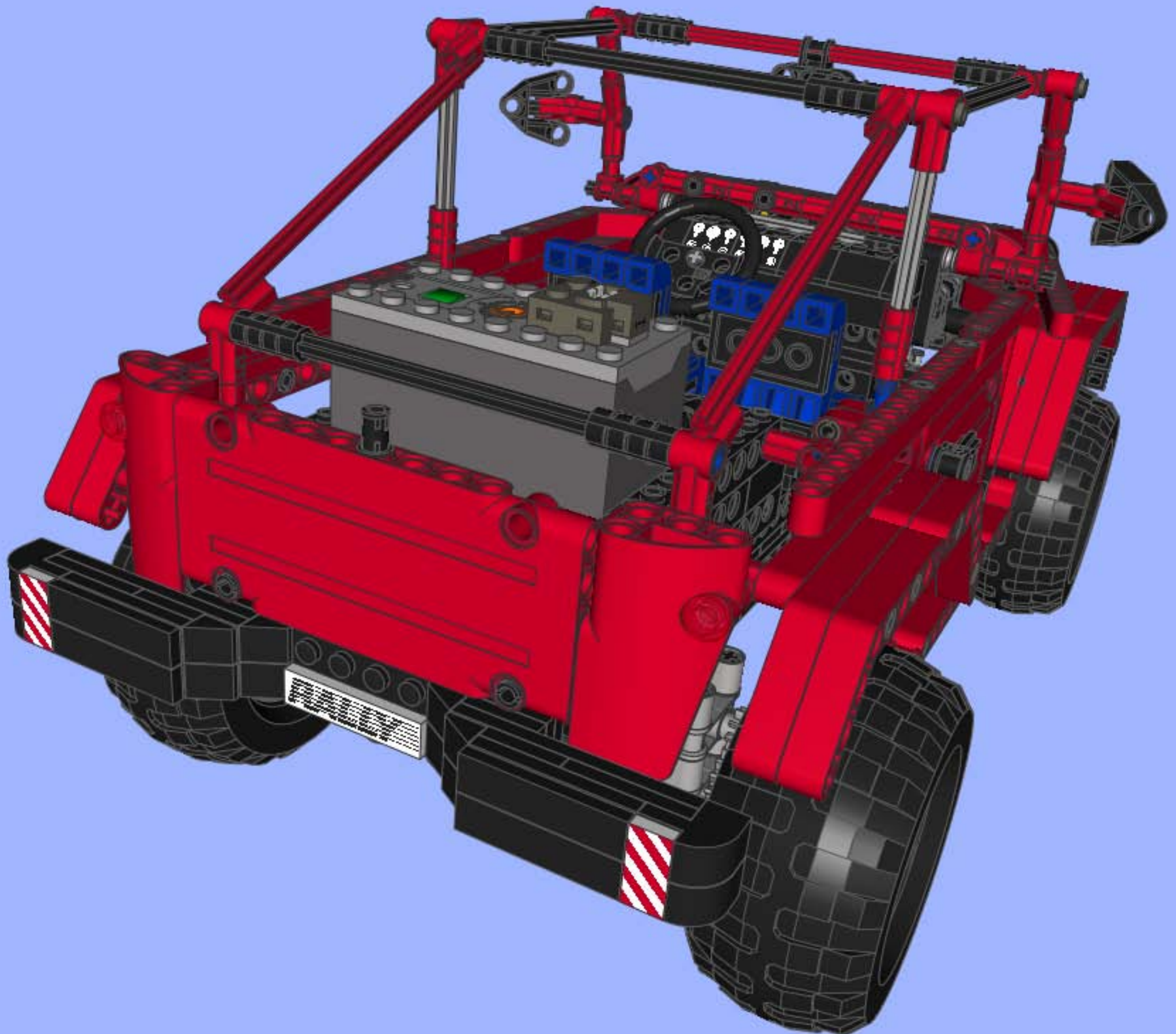


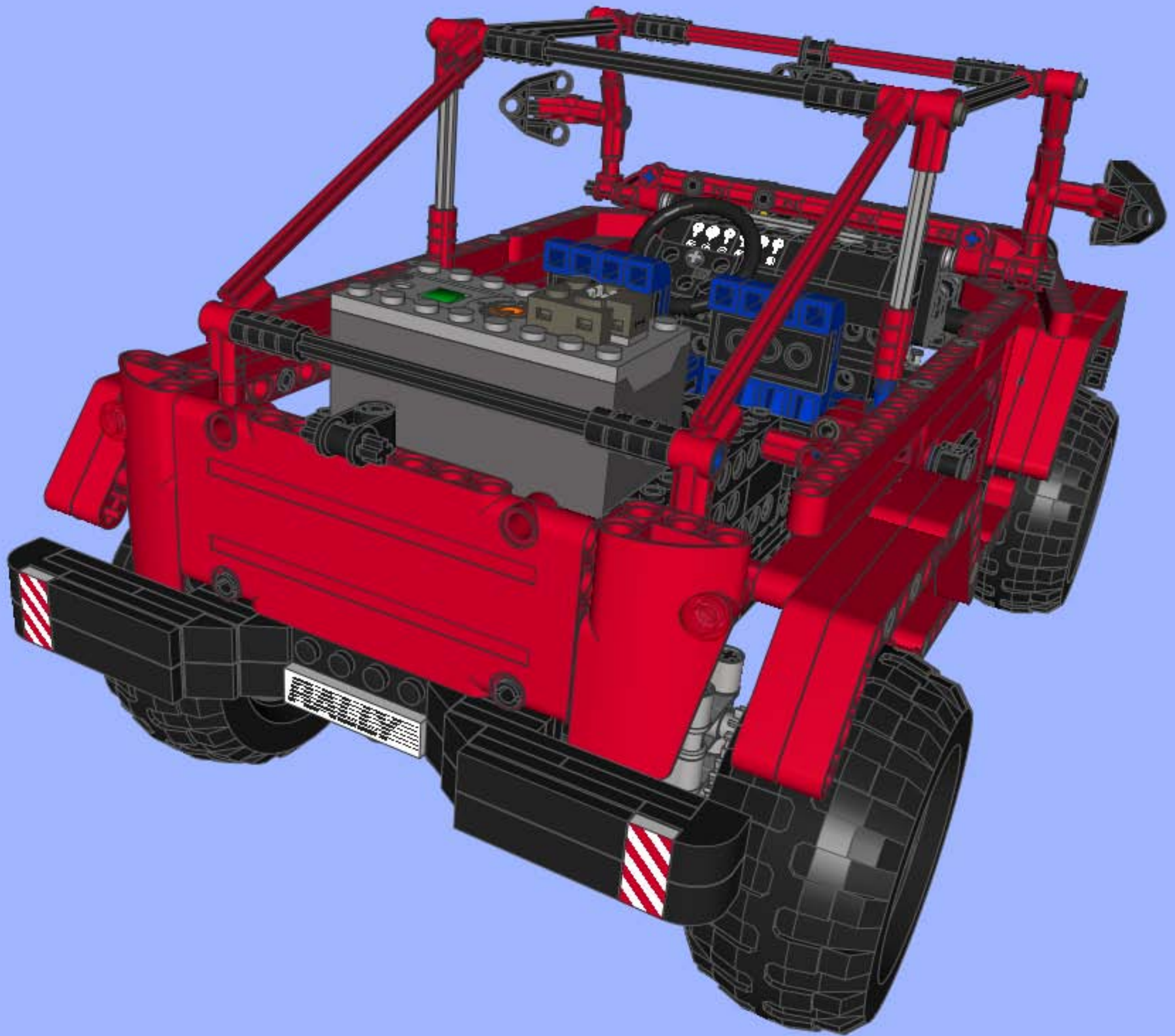


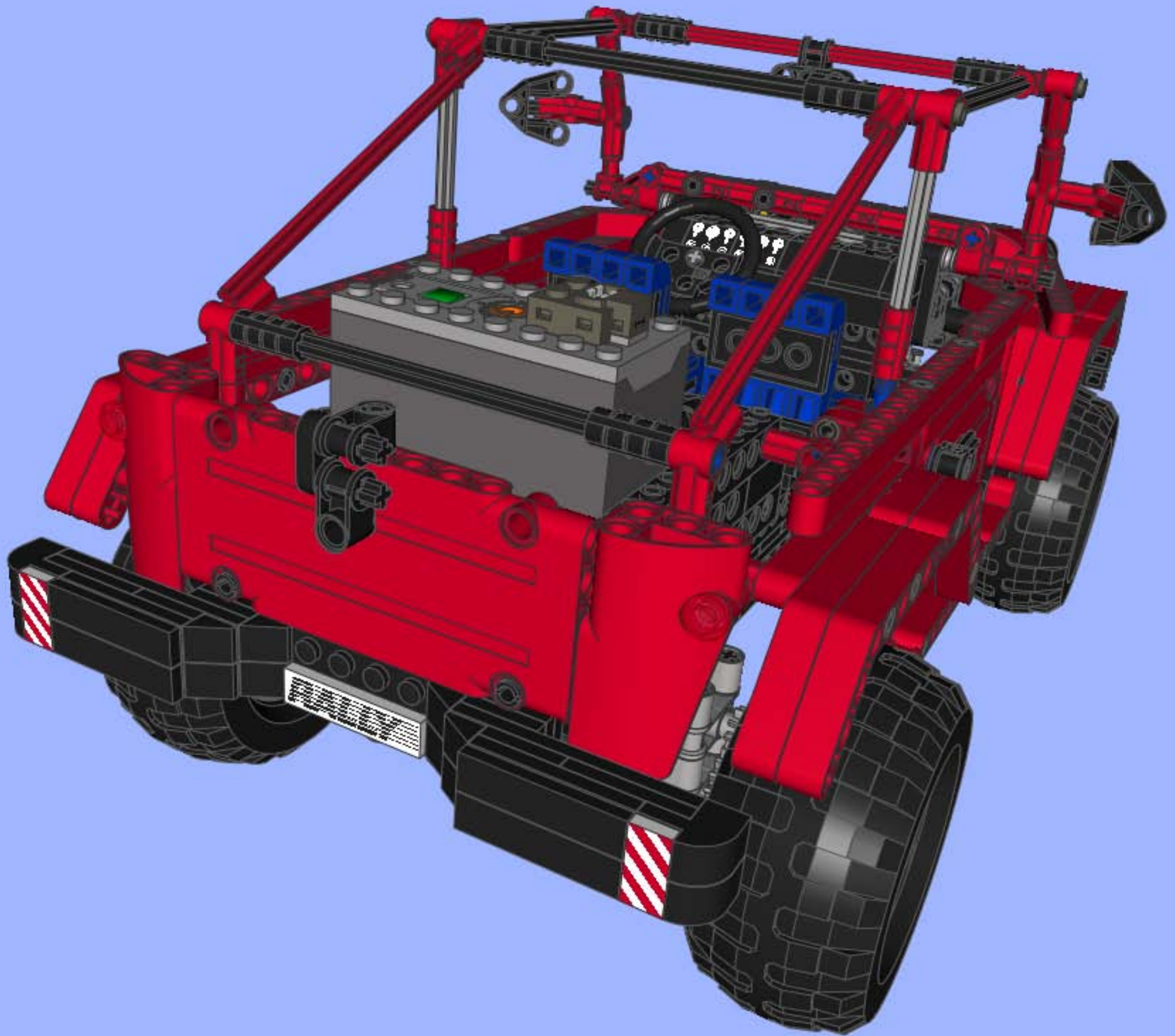


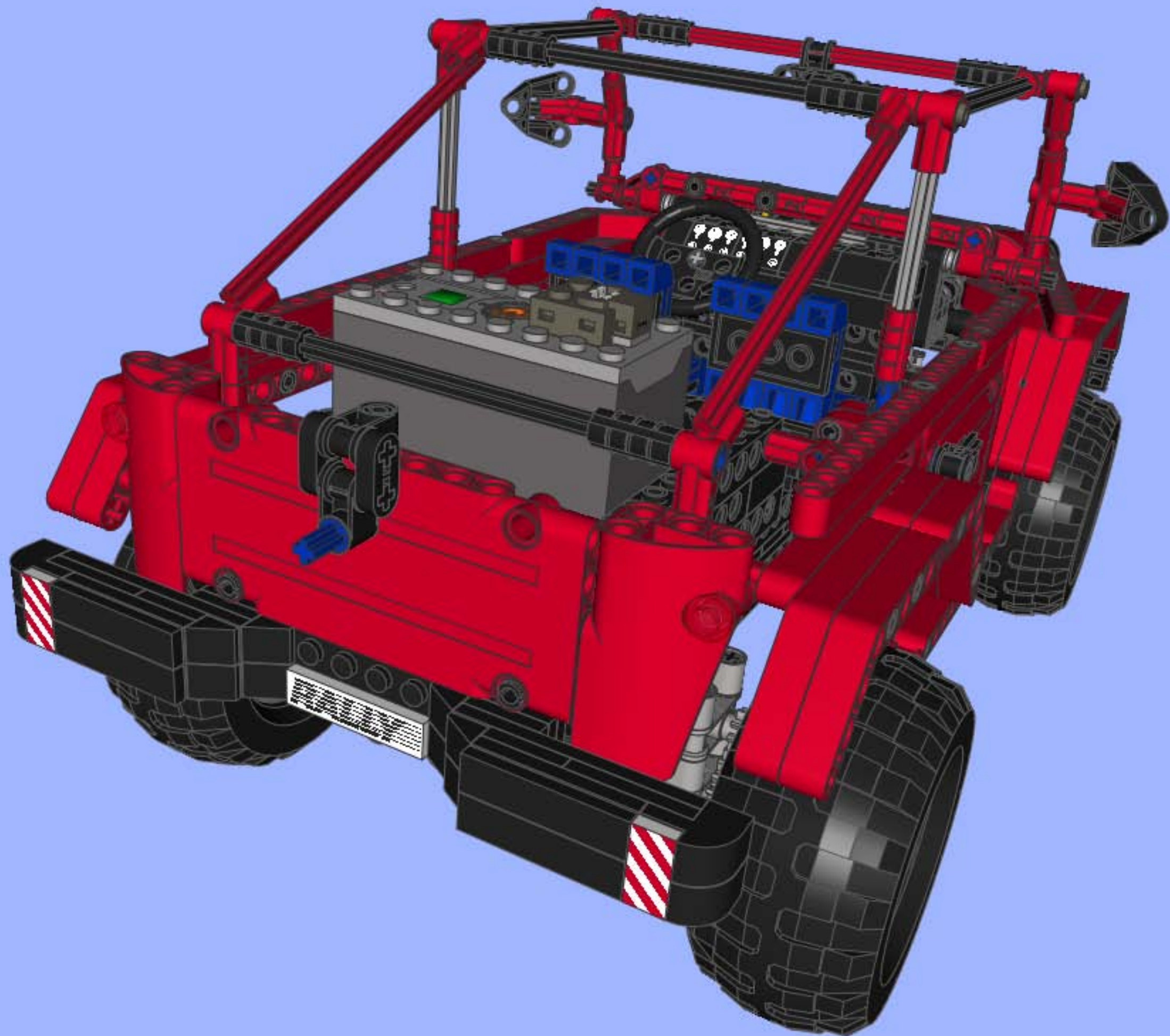








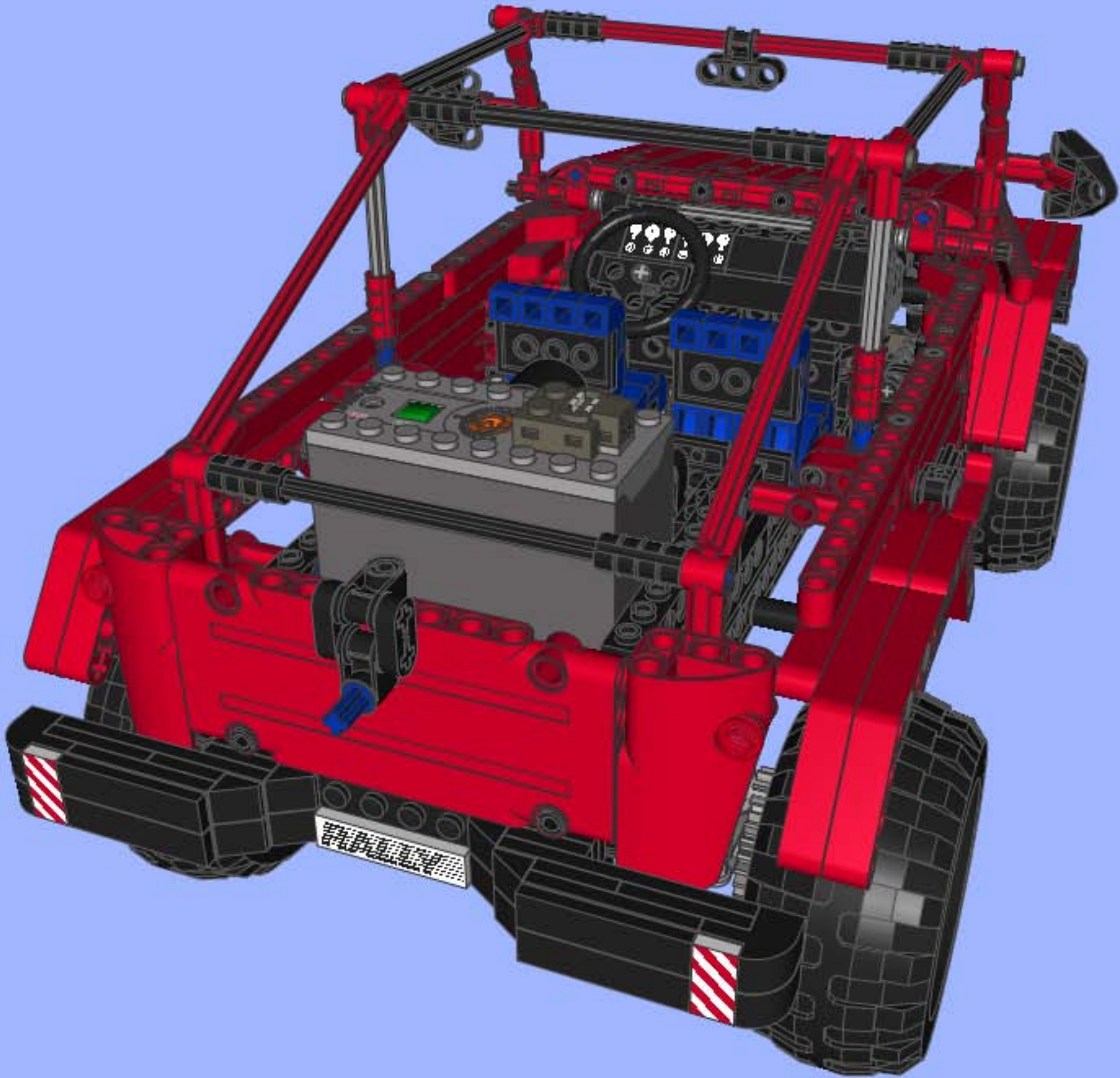


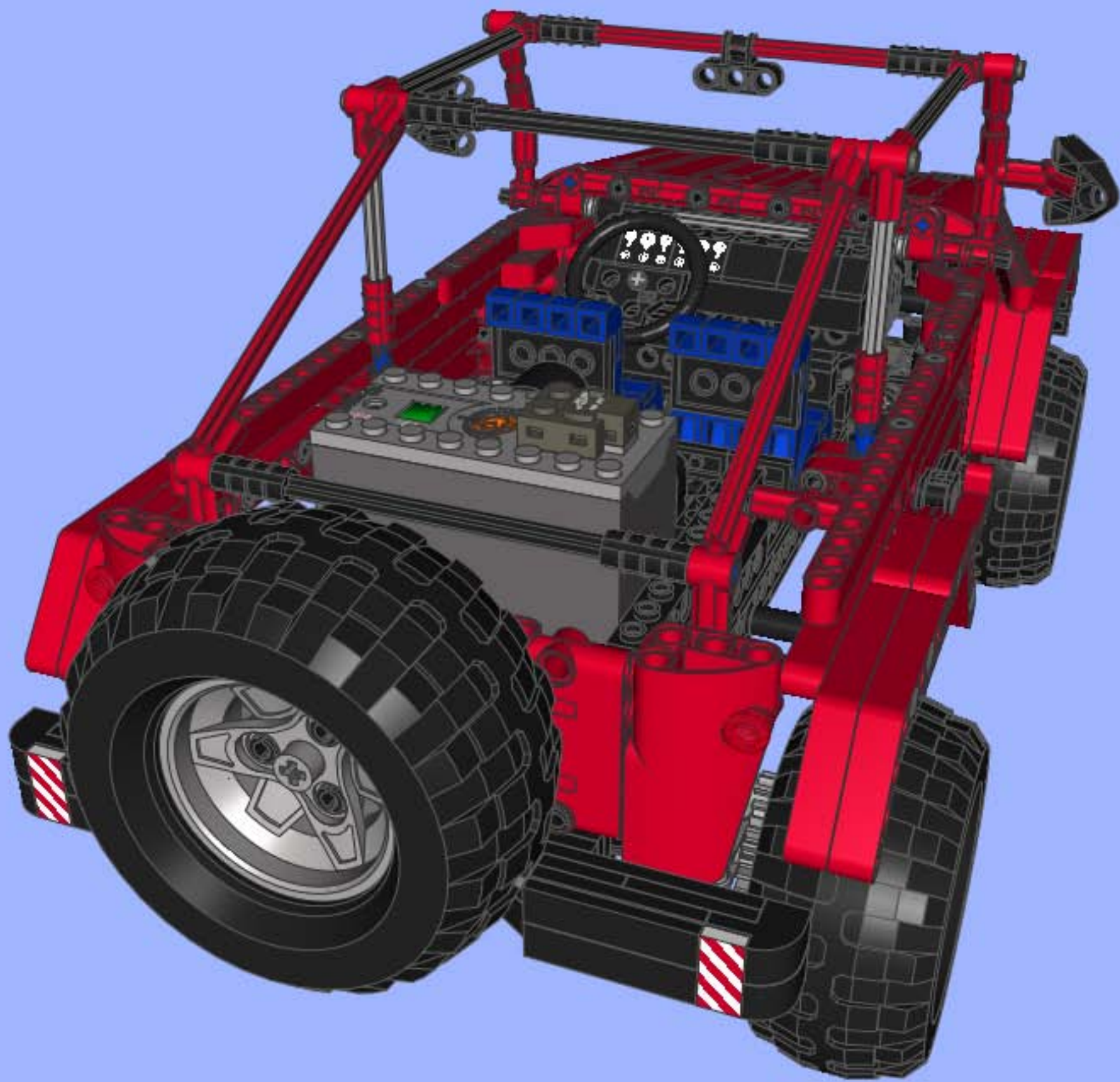


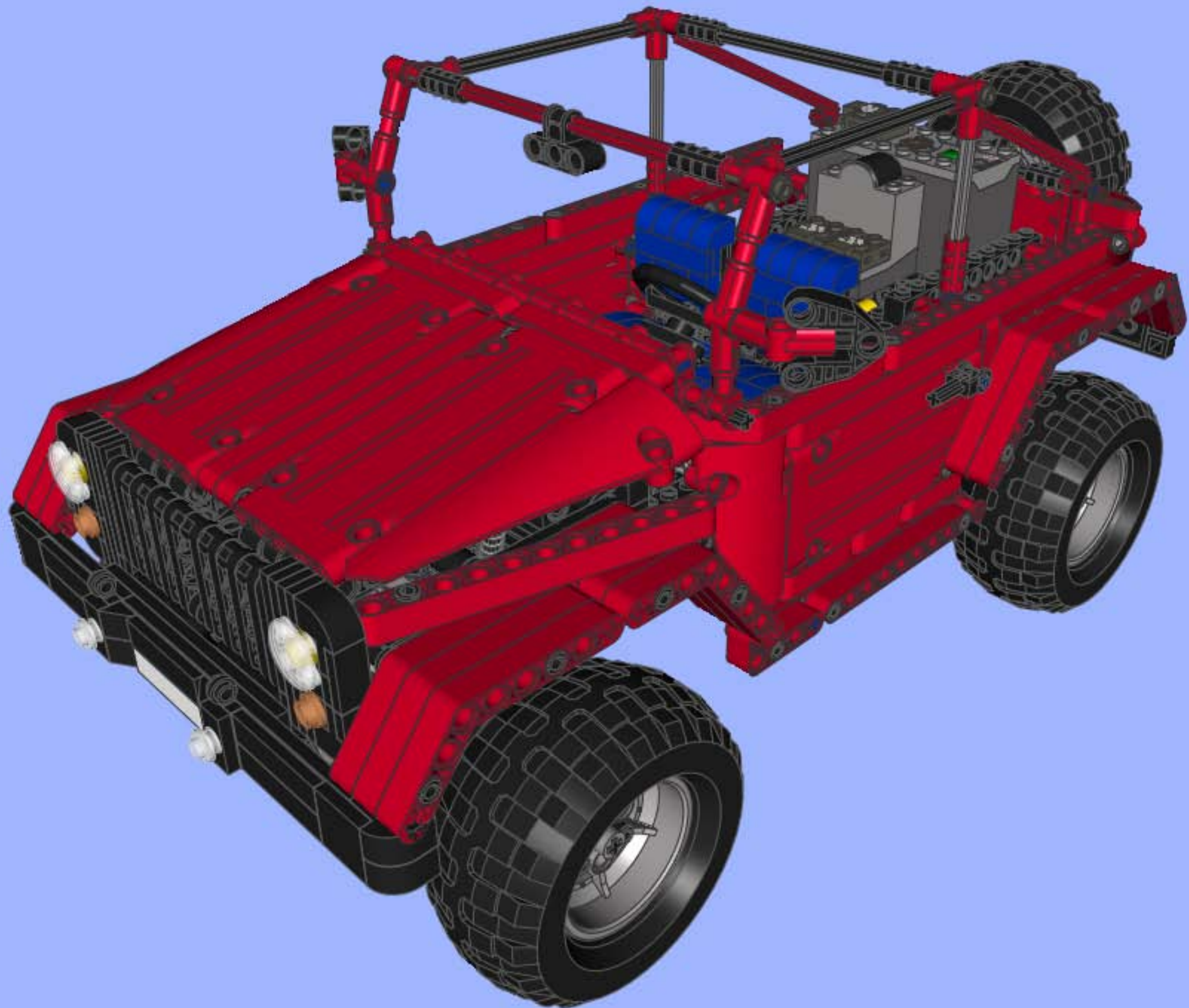














ENJOY YOUR RUBICON!