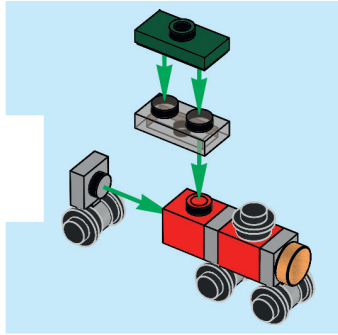
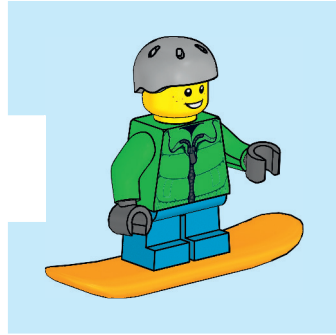


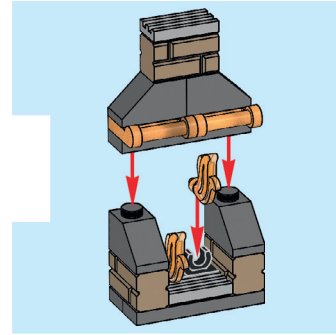
1



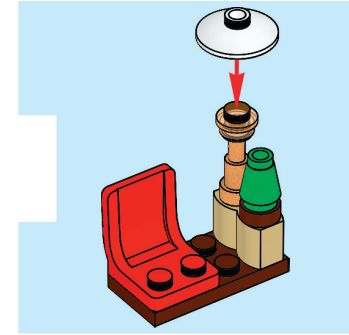
2



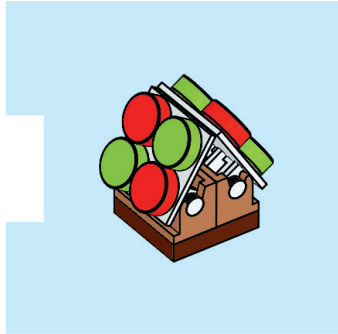
3



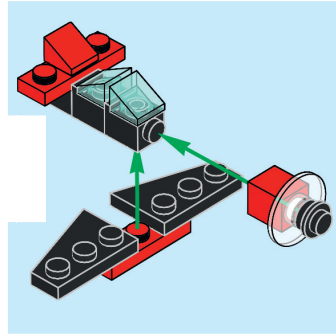
4



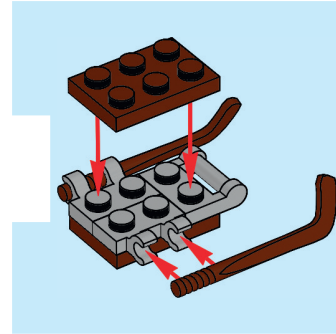
5



6



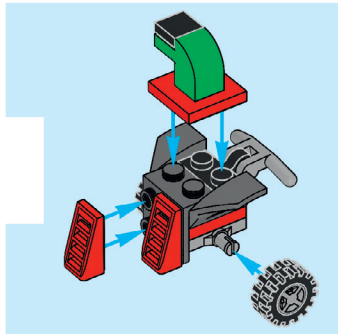
7



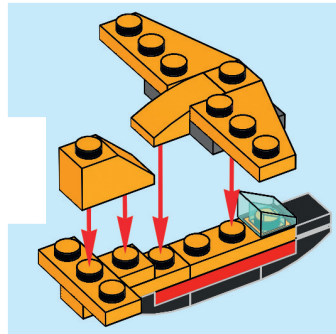
8



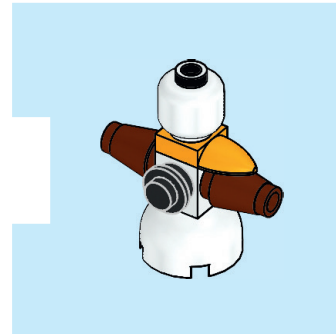
9



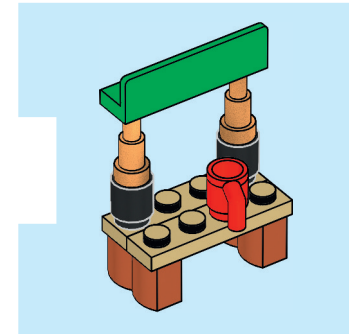
10



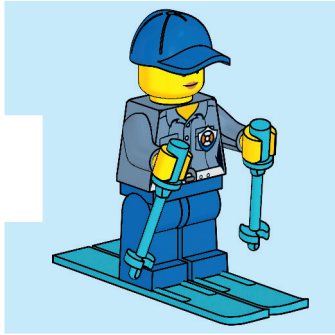
11



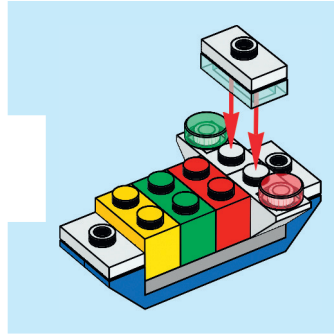
12



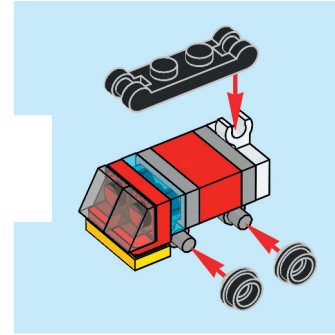
13



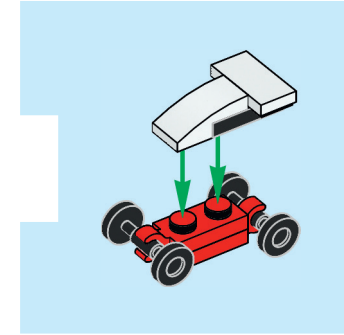
14



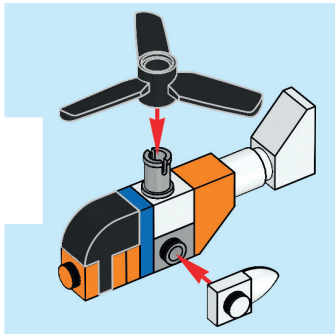
15



16



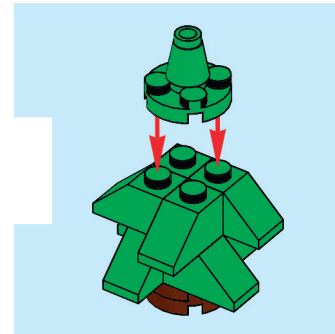
17



18



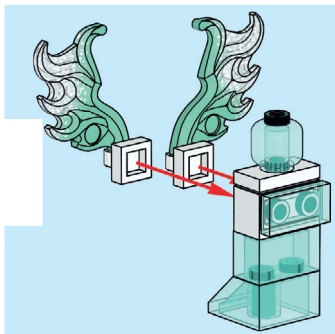
19



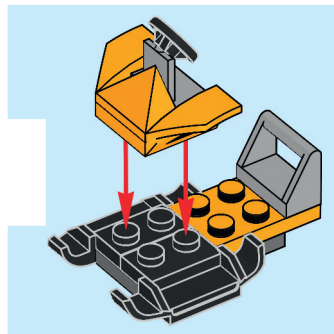
20



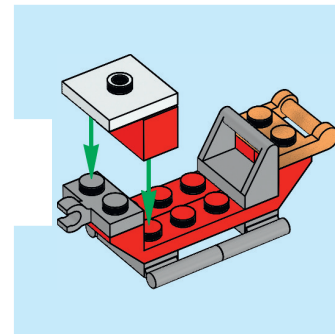
21



22



23



24



LEGO.com/service
LEGO and the LEGO logo are trademarks of the/son des marques de commerce de/son marcas registradas de LEGO Group. ©2017 The LEGO Group.

LEGO.com/city
7