



# BRICK HEADZ



40420



ILLUMINATION PRESENTS  
**minions**  
THE RISE OF GRU



GRU

104

1



2

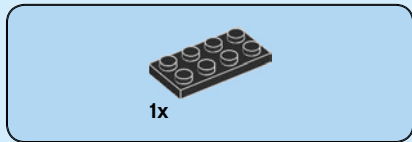


3

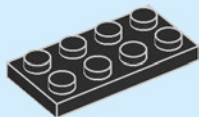


4





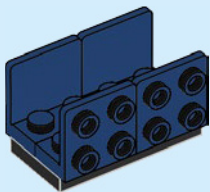
1





4x

2

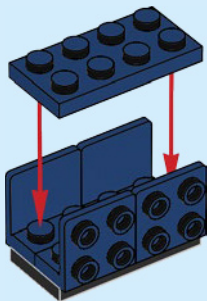


4



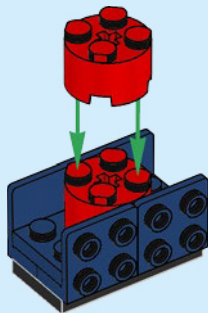
1x

3

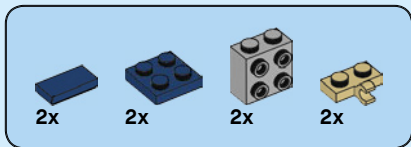


2x

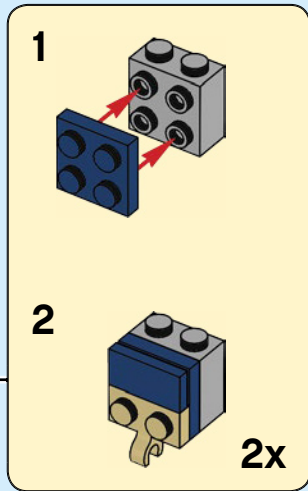
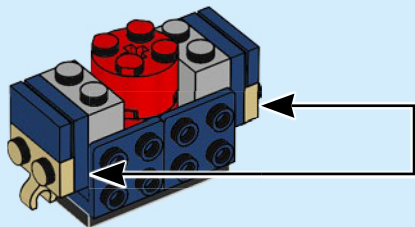
4



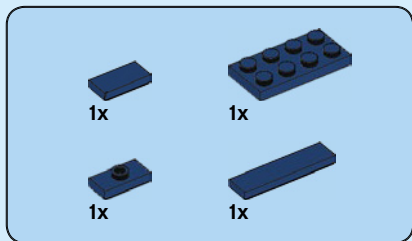
5



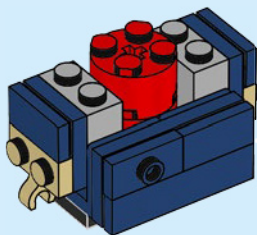
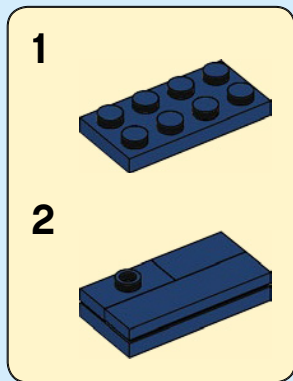
5

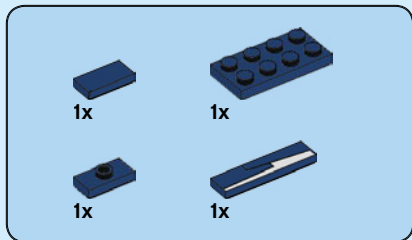


6

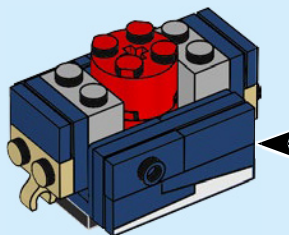
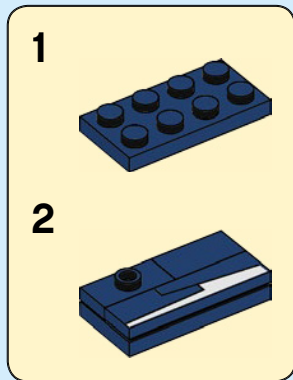


6



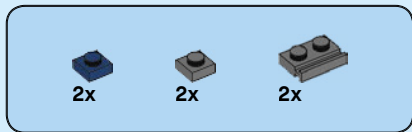


7

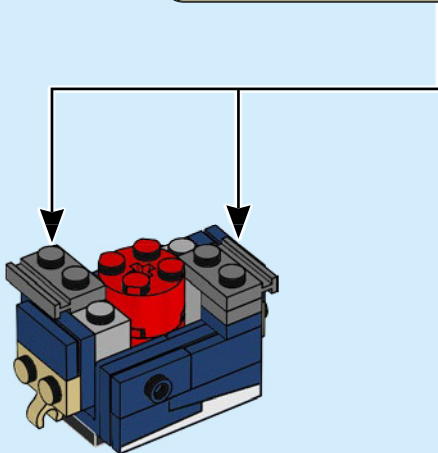
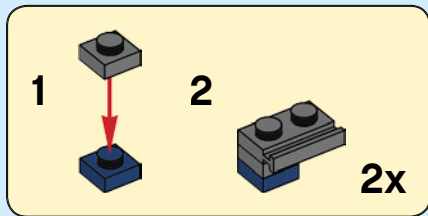


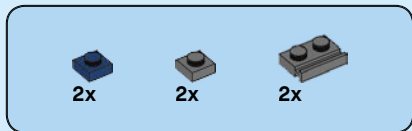
8



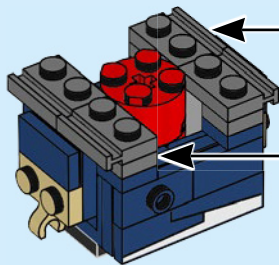
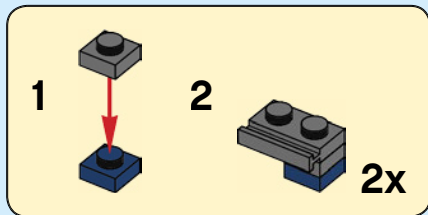


8

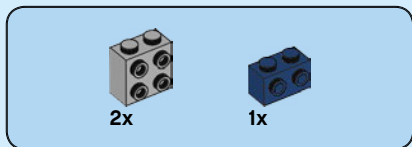




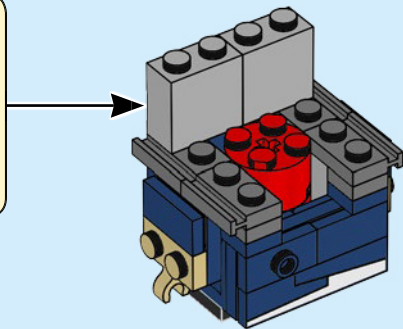
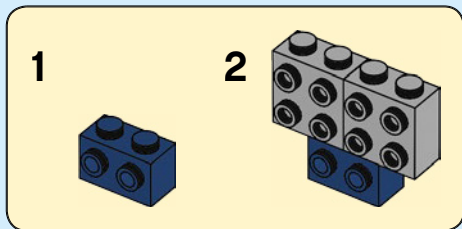
9



10



# 10



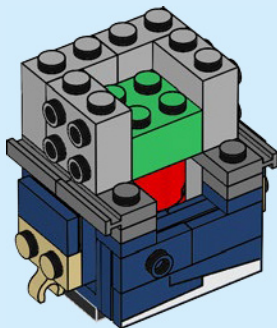


1x



2x

# 11



12



2x



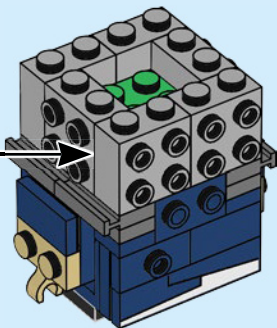
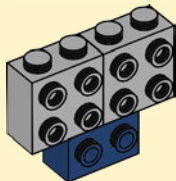
1x

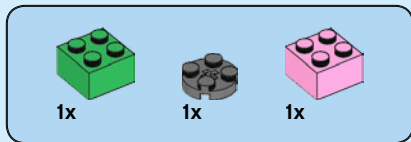
# 12

1

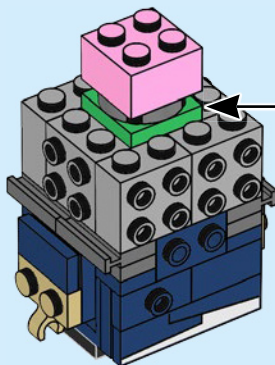
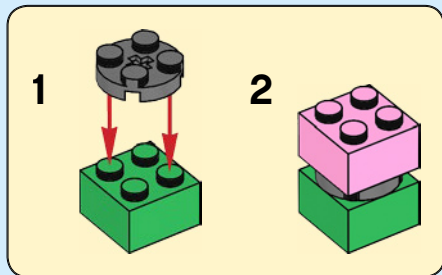


2





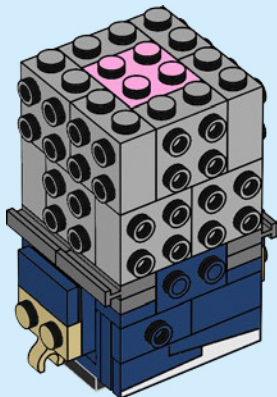
13

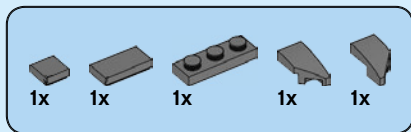




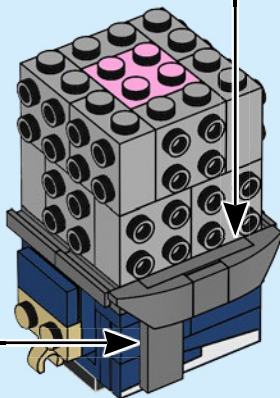
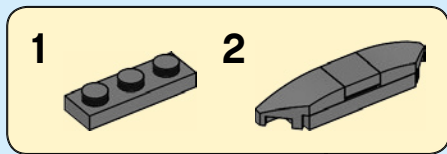
6x

14



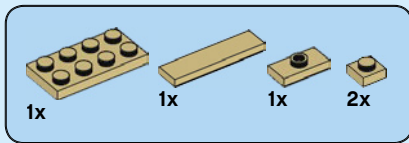


15

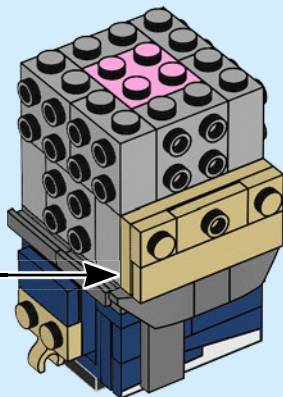
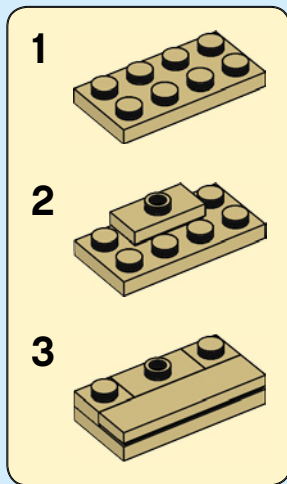


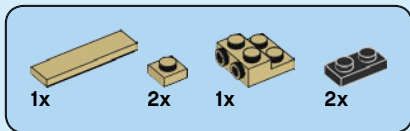
16



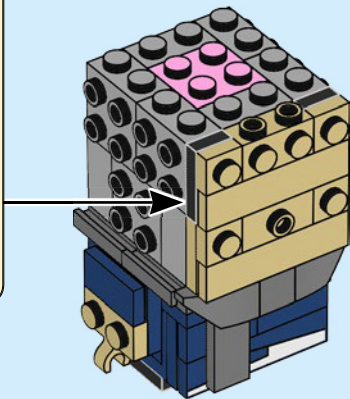
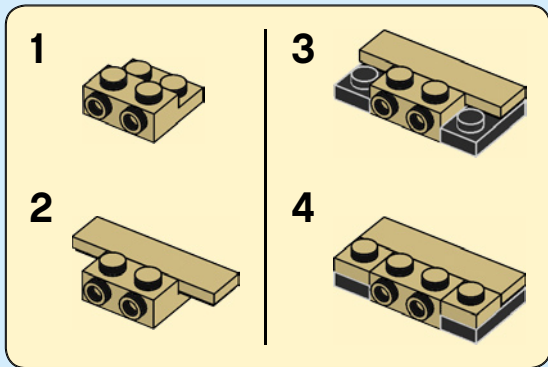


# 16





# 17



18



1x



1x

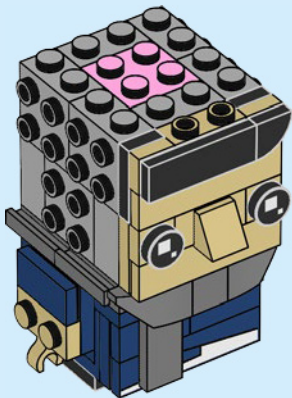


1x



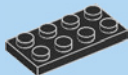
2x

# 18





1x



1x

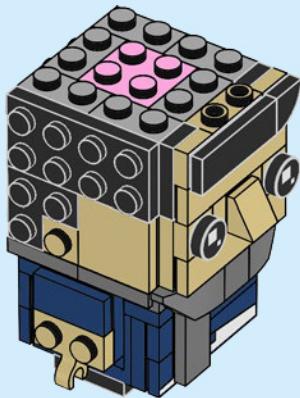


1x



1x

# 19



20

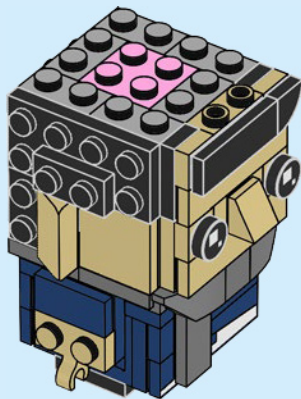


1x



1x

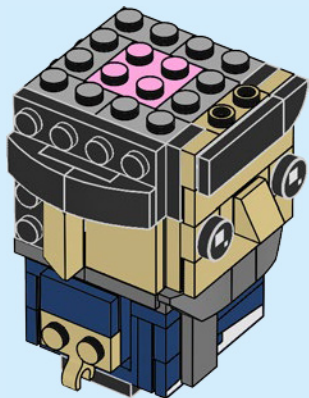
20





2x

21



22

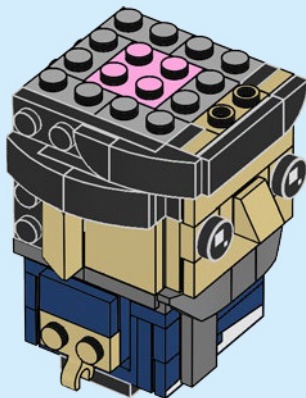


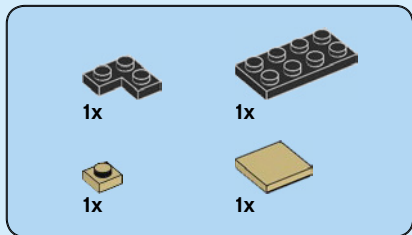
1x



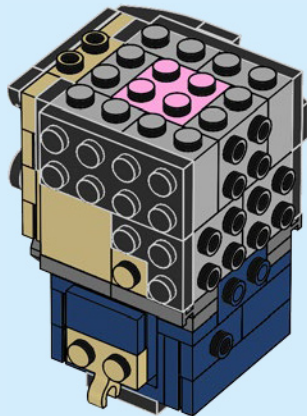
1x

22





**23**



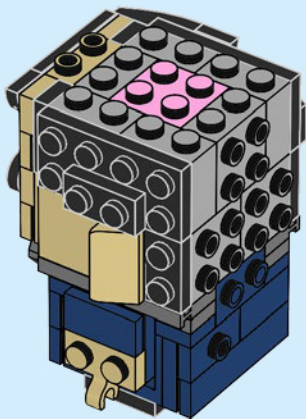


1x



1x

# 24

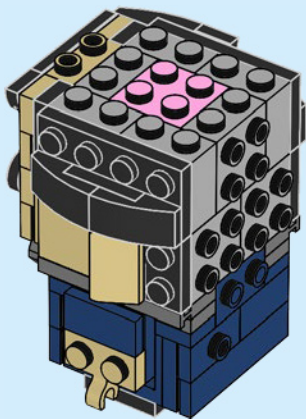






2x

25



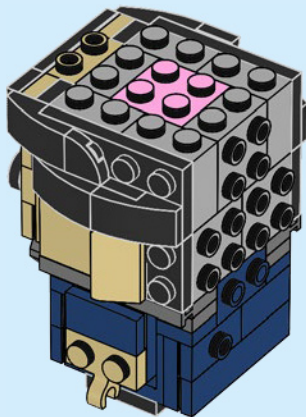


1x

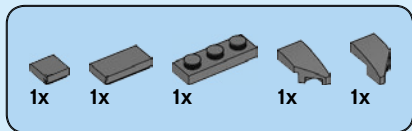


1x

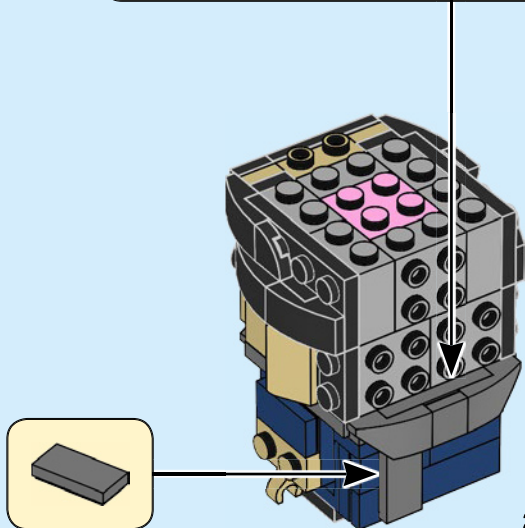
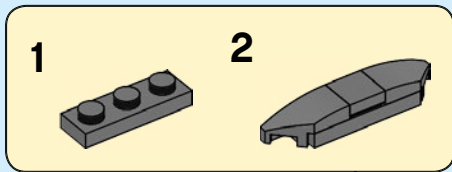
# 26

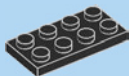


26



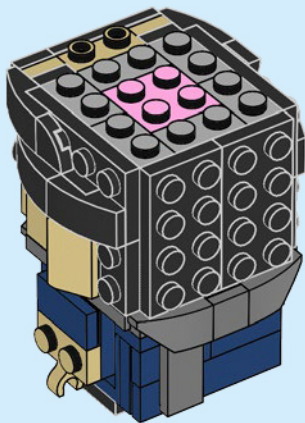
27



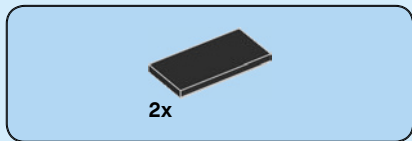


2x

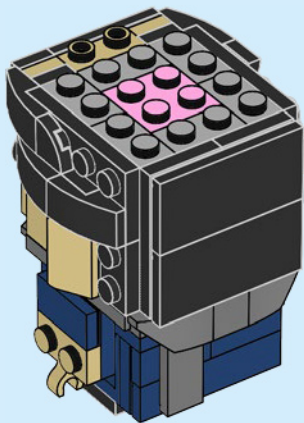
28



28



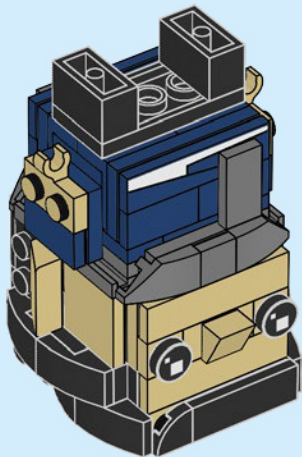
29



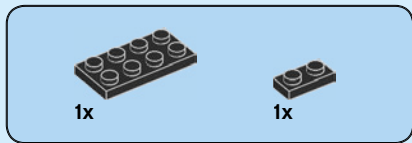


2x

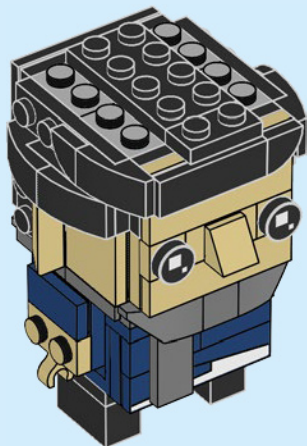
30



30



**31**



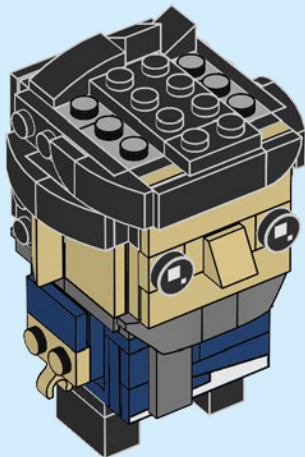


2x



1x

32



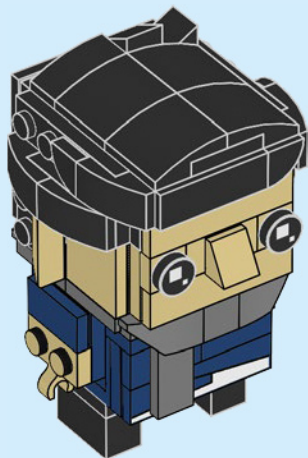
32

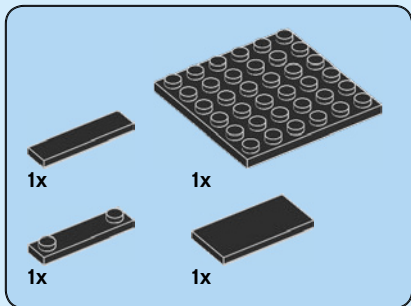




4x

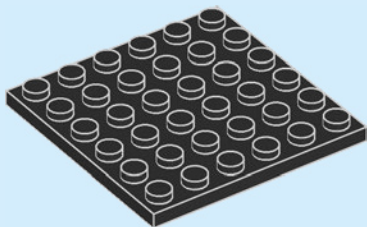
**33**



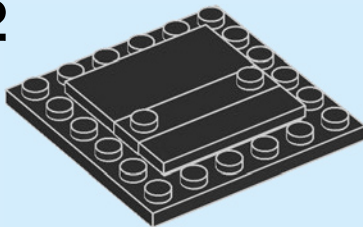


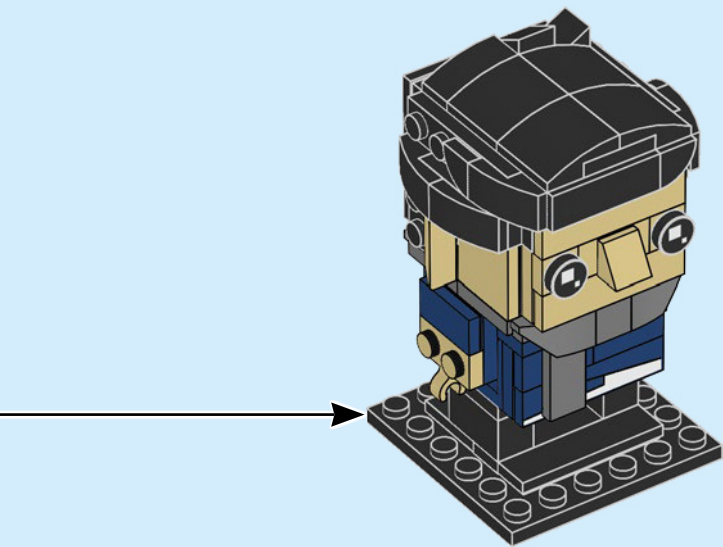
# 34

## 1



## 2







# BRICK HEADZ

ILLUMINATION PRESENTS  
**minions**  
THE RISE OF GRU



40421 BOB

**109**

40421 BELLE BOTTOM

**107**

40421 KEVIN

**108**

LEGO and the LEGO logo are trademarks of the/son des  
marques de commerce d/ulson marcas registradas de  
LEGO Group. ©2020 The LEGO Group.  
© Universal City Studios LLC. All Rights Reserved.  
6327697 / 6327698