



**SPEED**  
CHAMPIONS

76917





[LEGO.com/sustainable-packaging](https://LEGO.com/sustainable-packaging)



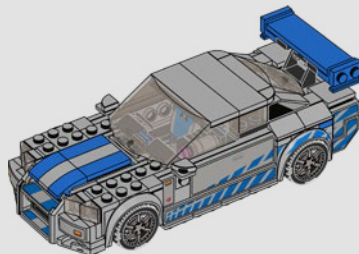
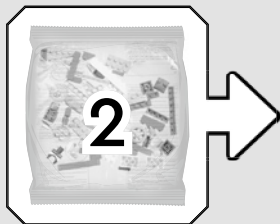
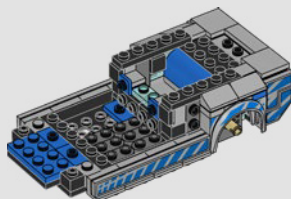
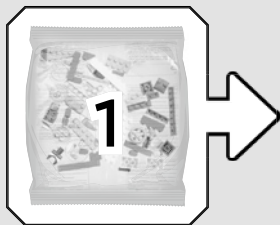
# BUILDER

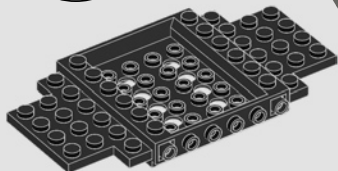
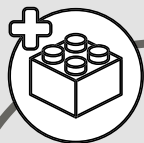


Apple and the Apple logo are trademarks of Apple Inc., registered in the U.S. and other countries and regions. App Store is a service mark of Apple Inc. Google Play and the Google Play logo are trademarks of Google LLC. Tencent and the Tencent logo are trademarks of Tencent Inc.

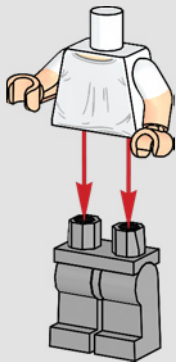
[LEGO.com/devicecheck](https://www.lego.com/devicecheck)

**EN** Ask parents' permission before going online | **DE** Eltern um Erlaubnis bitten, bevor du online gehst | **FR** Demande l'autorisation d'un parent avant d'aller en ligne | **IT** Chiedi il permesso ai tuoi genitori prima di andare online | **ES** Pídeles permiso a tus papás antes de conectarte a Internet | **PT** Pede autorização aos pais antes de acederes online | **JA** オンラインになる前に ほか者の方のきよかをもらおう | **ZH** 上网前应先征得父母的同意 | **KO** 온라인 접속 전에 보호자 동의가 필요합니다 | **RU** Спроси разрешения у родителей, прежде чем заходить в интернет | **PL** Poproś rodziców o zgodę, zanim wejdziesz do Internetu | **CS** Než půjdeš na internet, požádej rodiče o svolení | **SK** Skôr než pôjdeš na internet, vypýtaj si povolenie od rodičov | **HU** Kérj szülői engedélyt, mielőtt online csatlakoznál! | **RO** Cere permisiunea părinților înainte de a te conecta online | **BG** Поискайте разрешение от родител, преди да влезете онлайн | **LV** Pirms došanās tiešsaistē palūdz atļauju vecākiem | **ET** Enne Interneti kasutamist küsi vanematelt luba | **LT** Prieš prisijungdami prie interneto, atsklauskite tėvų

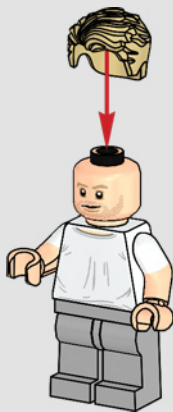




1

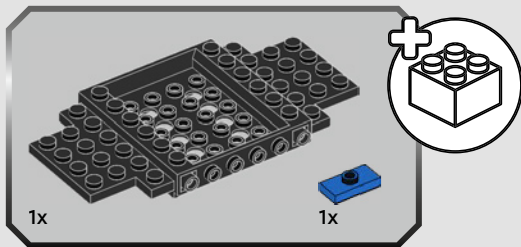


2

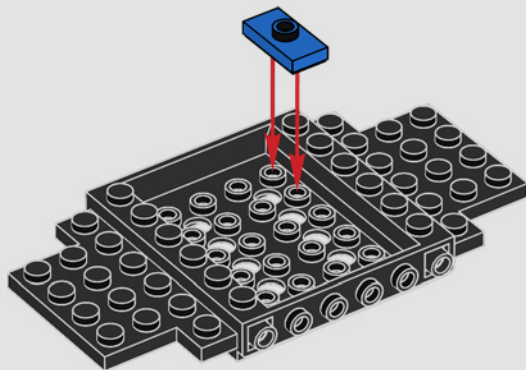


3



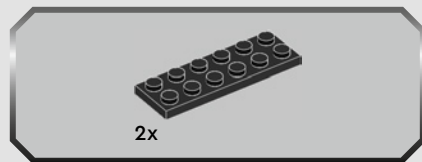
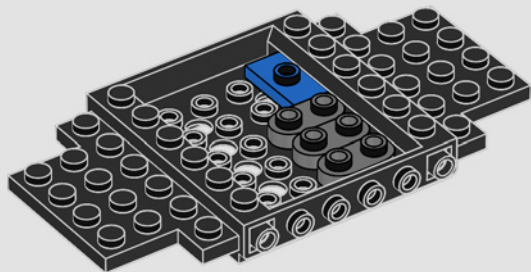


1

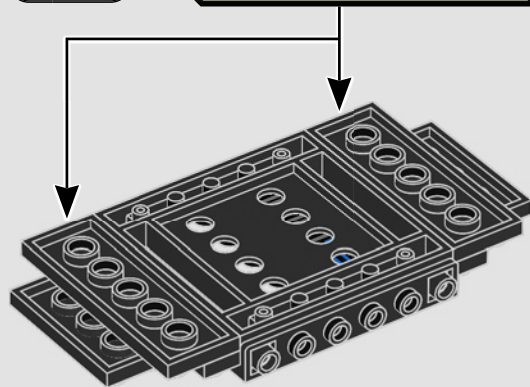
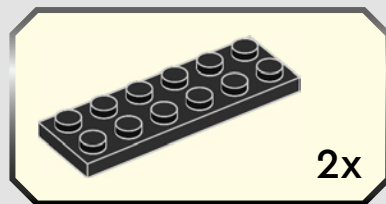




2

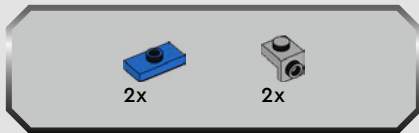
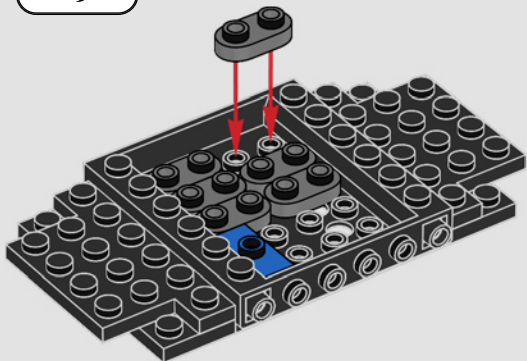


3

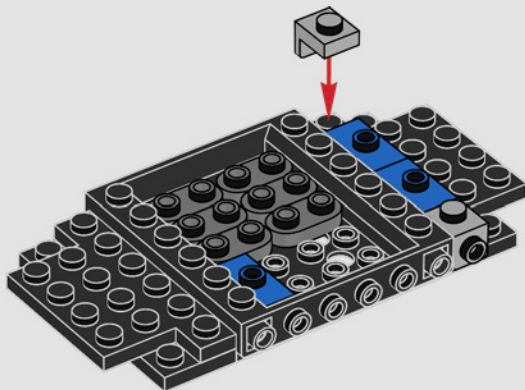




4



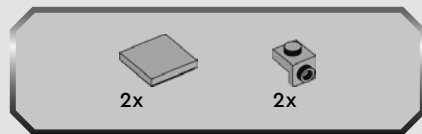
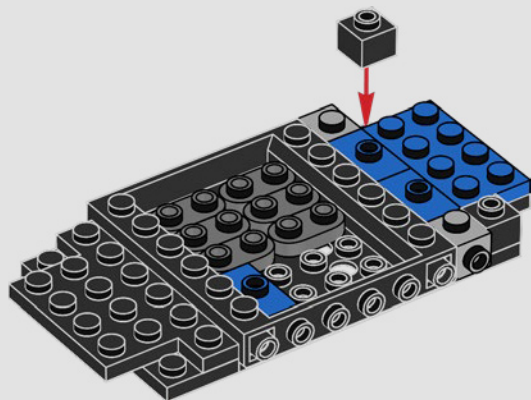
5



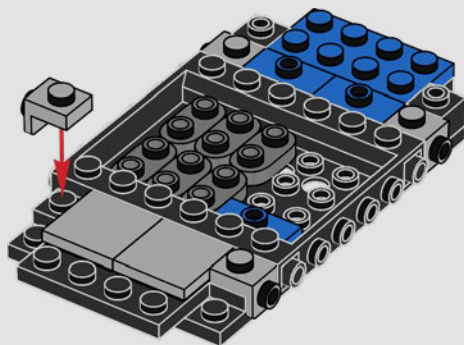


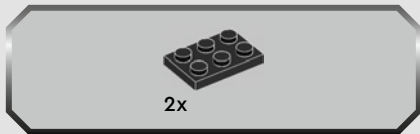


6

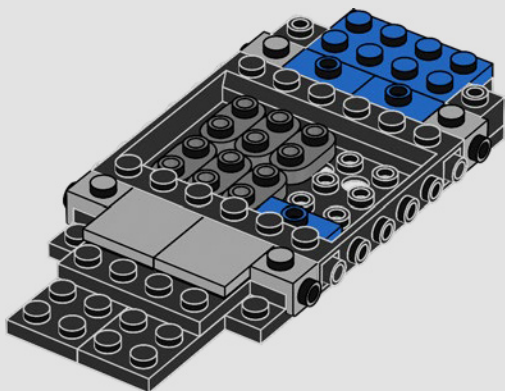


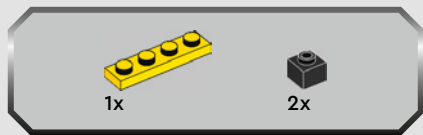
7



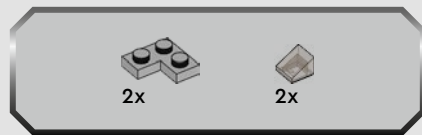
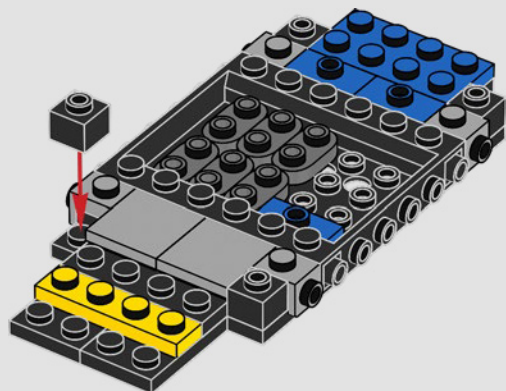


8

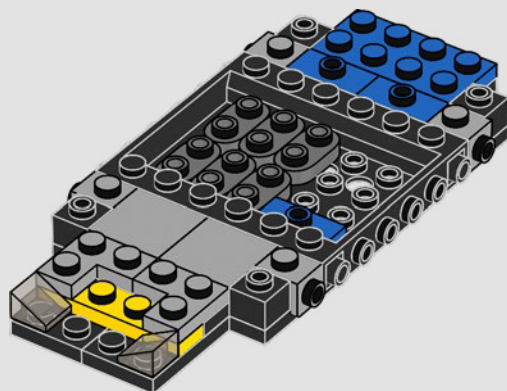


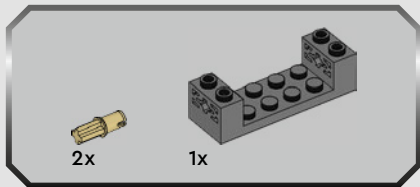


9

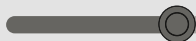
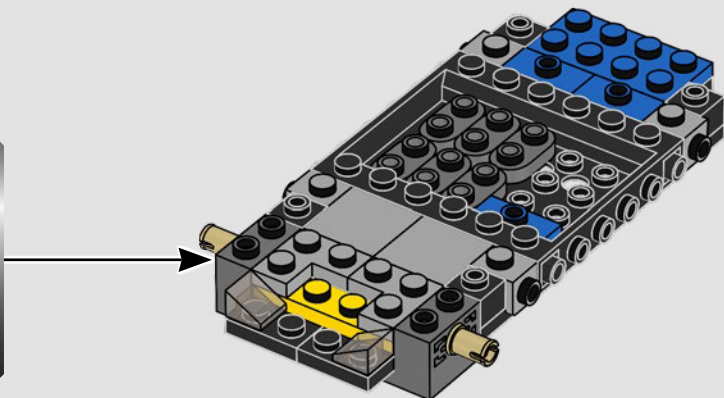
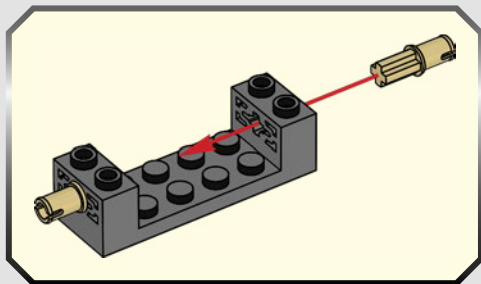


10



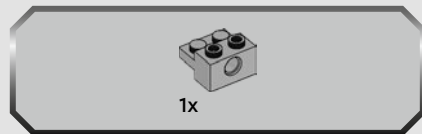
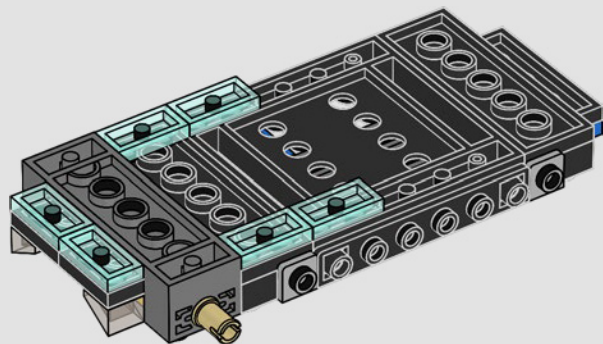


11

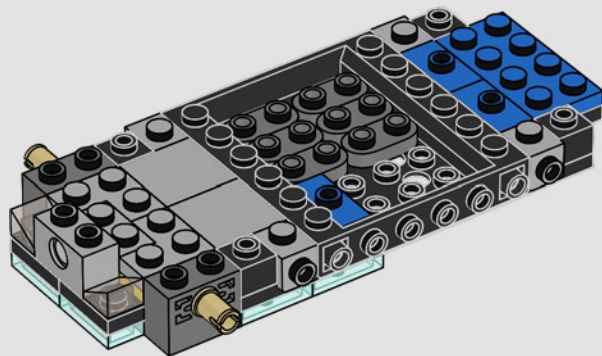




12

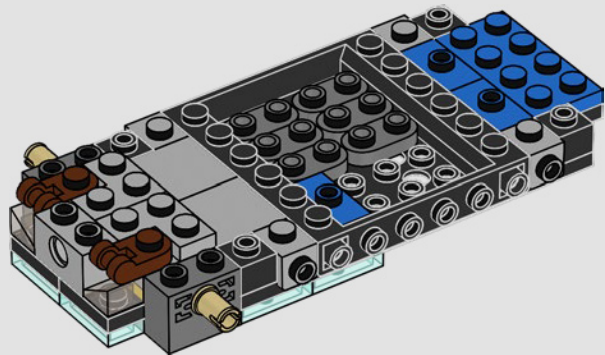


13

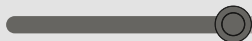
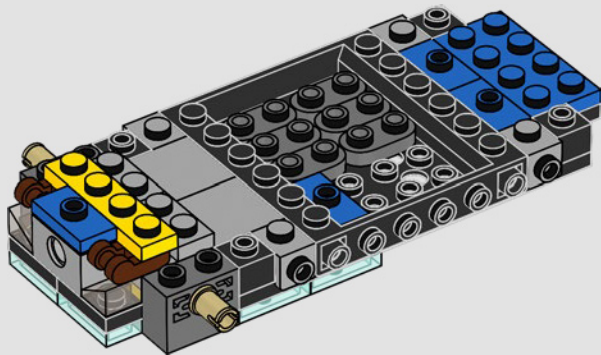


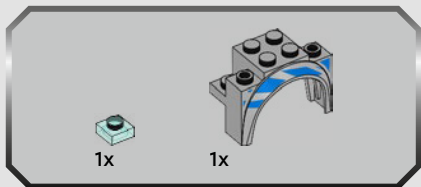


14

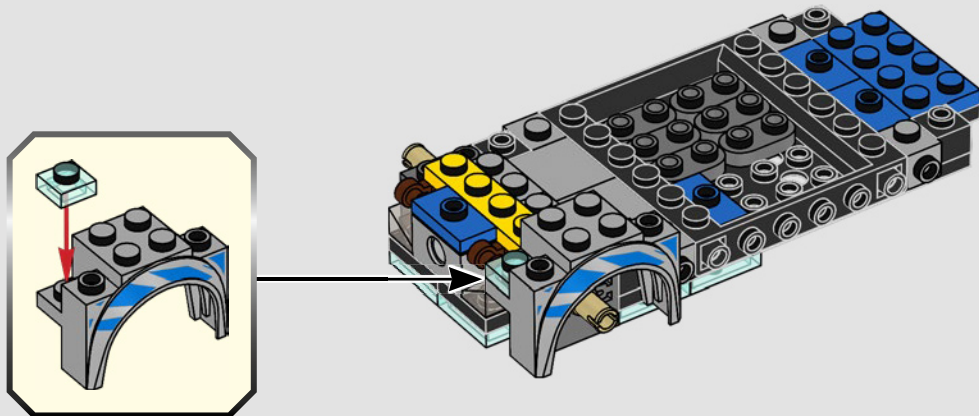


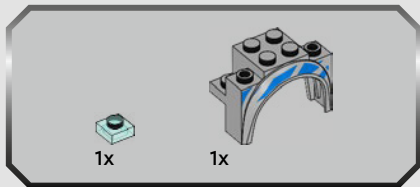
15



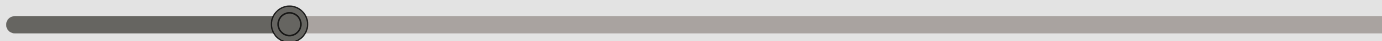
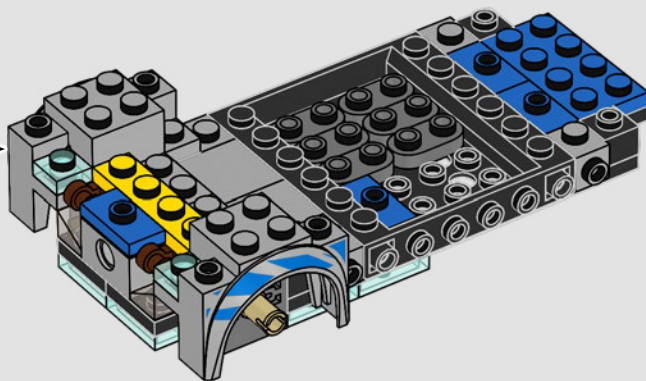
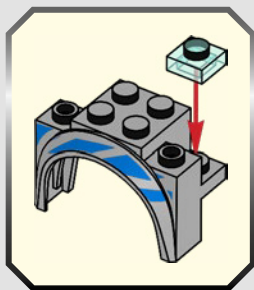


16





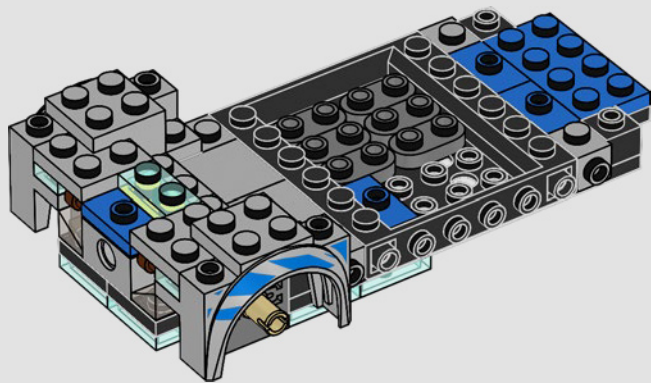
17







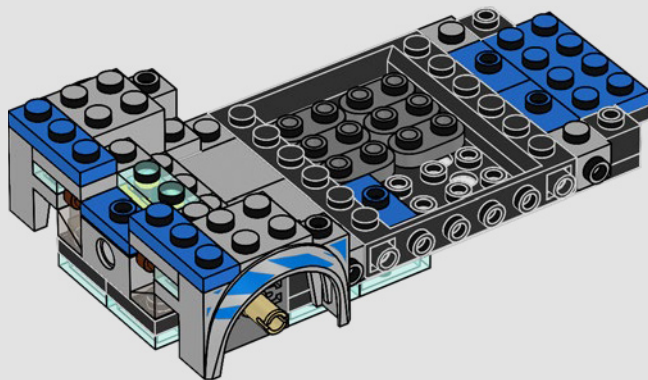
18

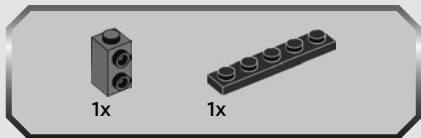
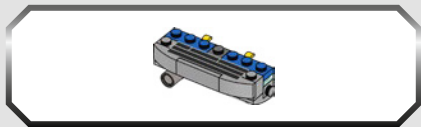




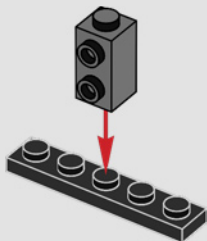
2x

19

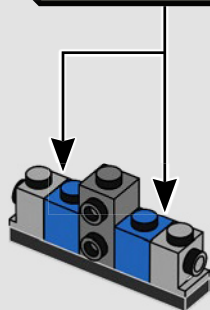
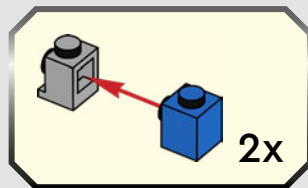




20

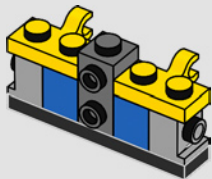


21

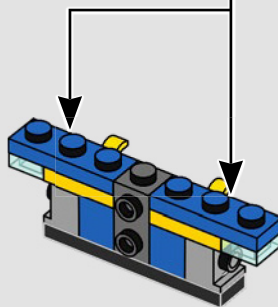
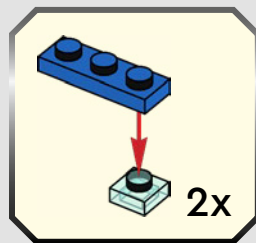




22

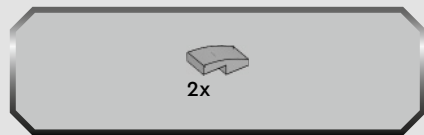
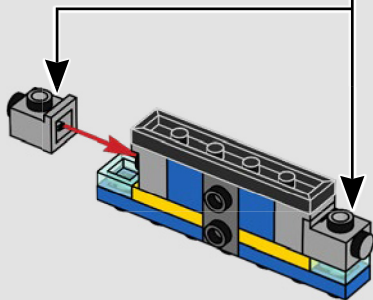
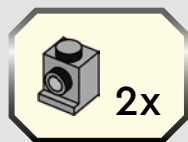


23

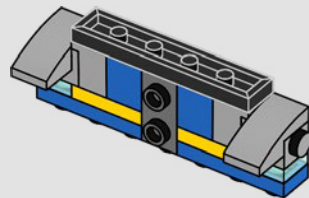


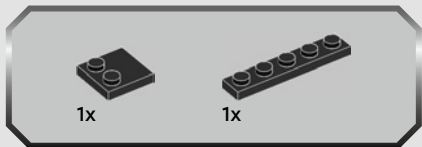
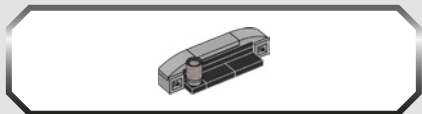


24

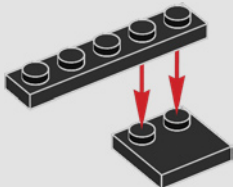


25

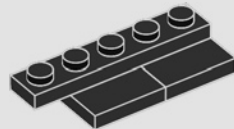




26

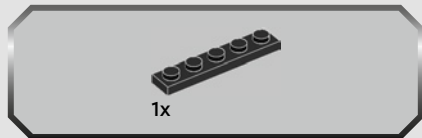
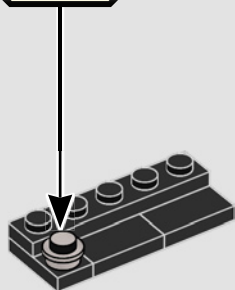
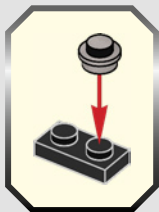


27

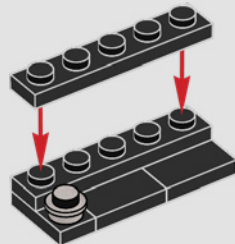




28



29



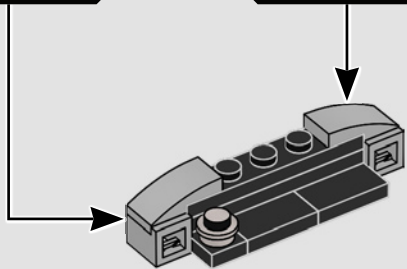
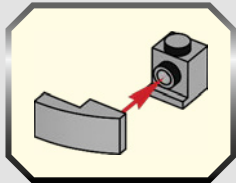
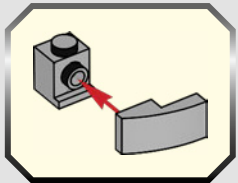


2x



2x

# 30

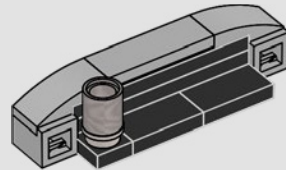


1x



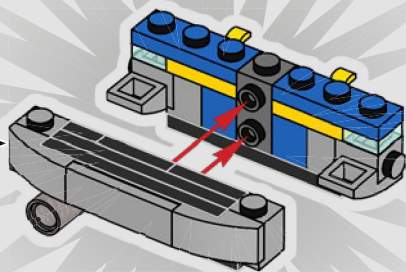
1x

# 31

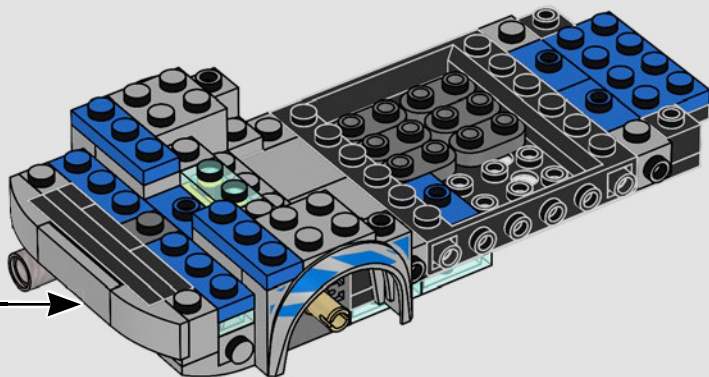




32



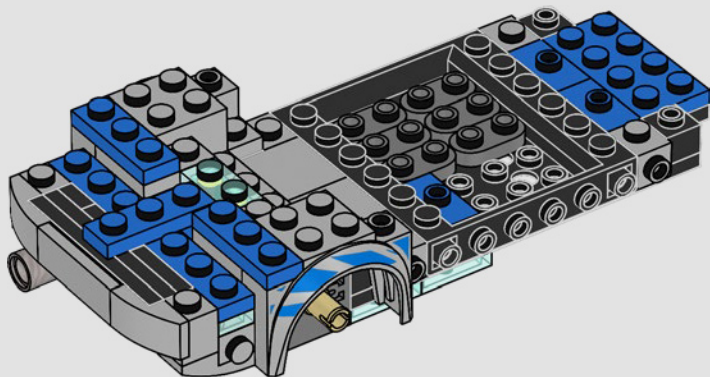
33





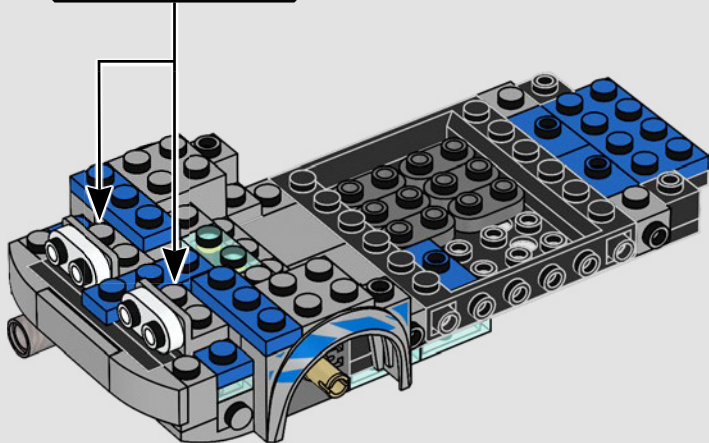
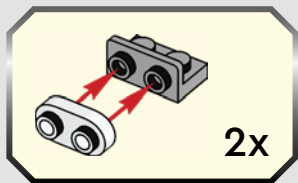
1x

34



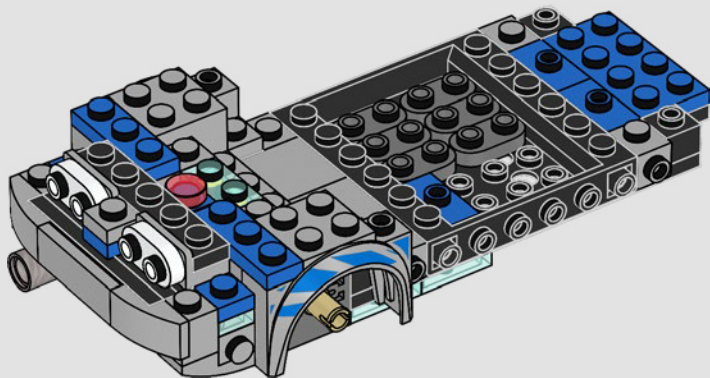


35



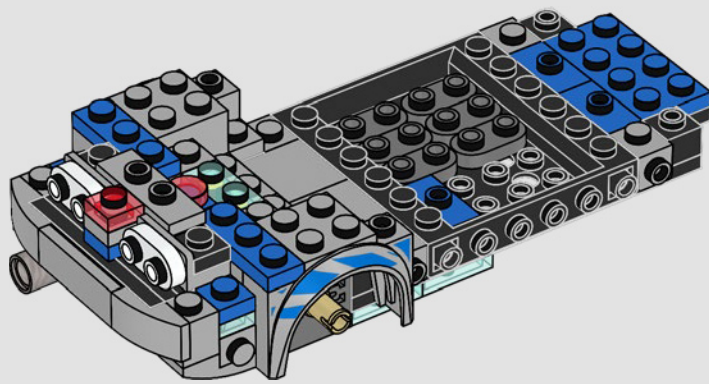


36





37



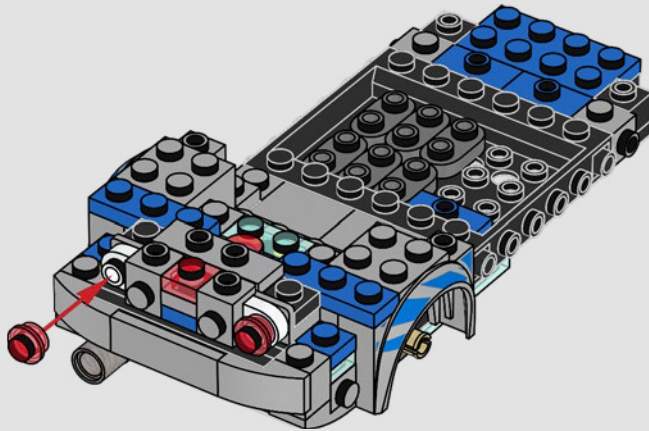


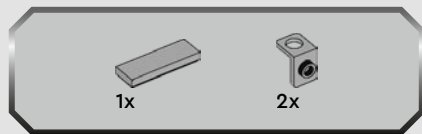
2x



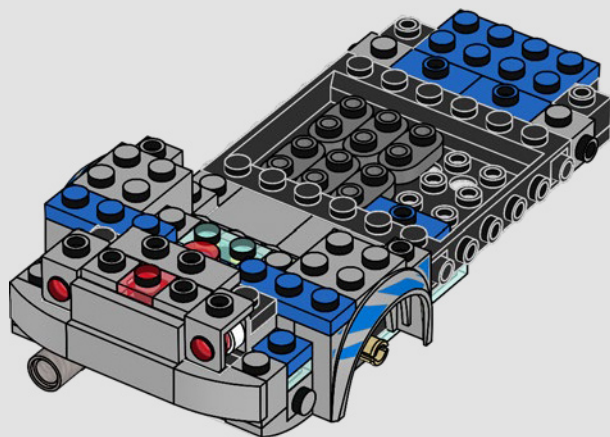
2x

# 38

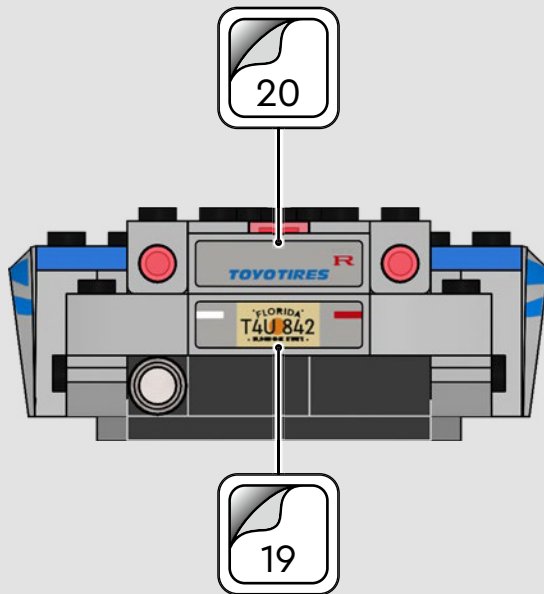




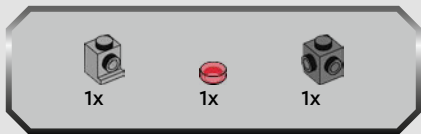
39



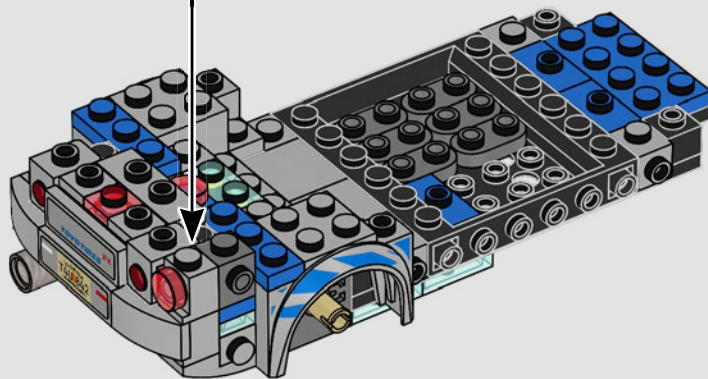
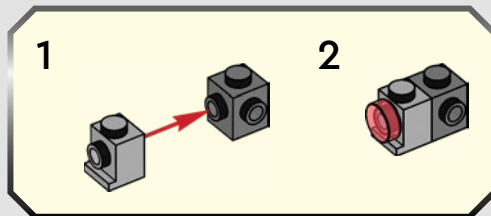
40

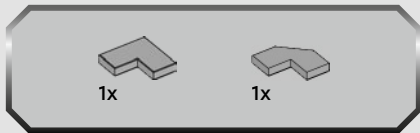




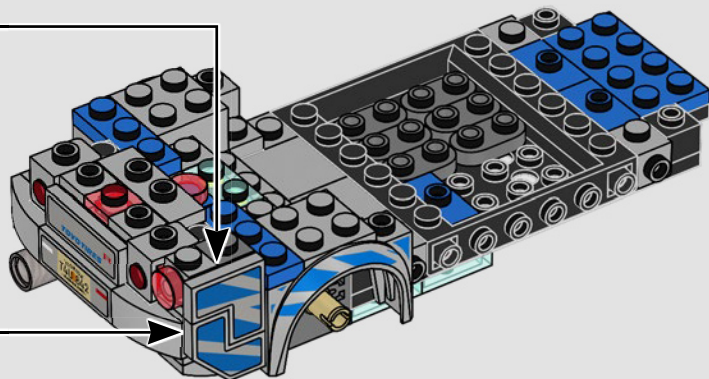
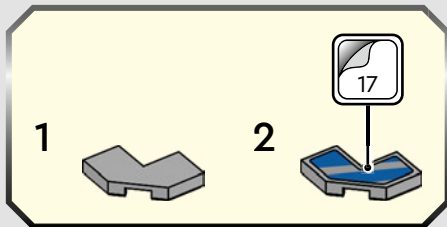
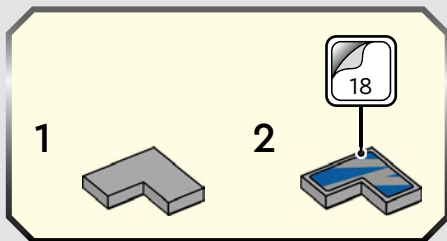


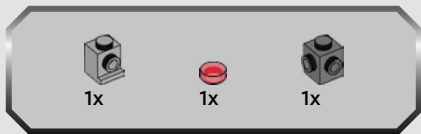
41



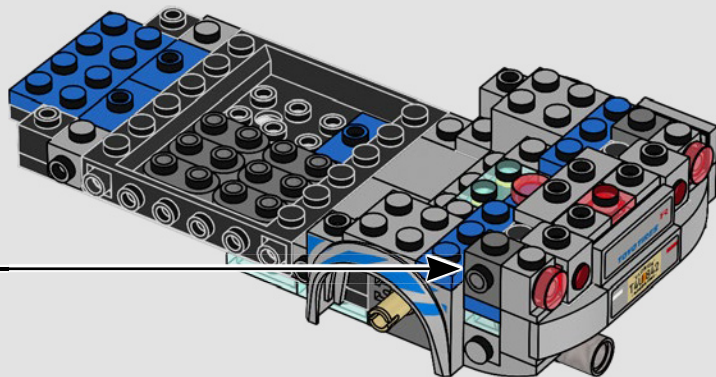
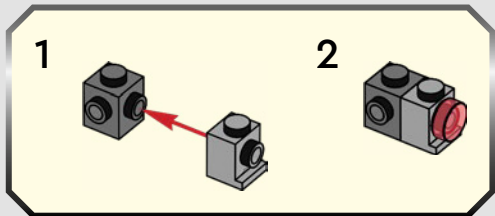


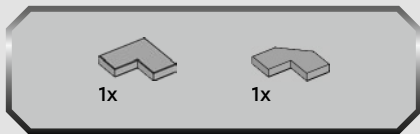
42



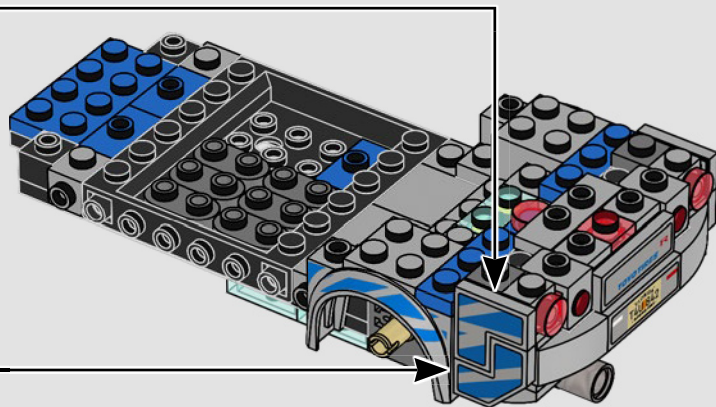
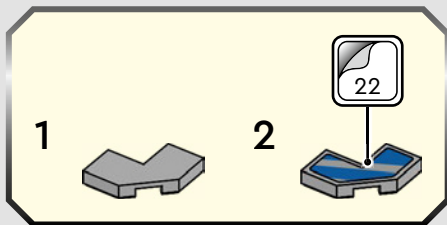
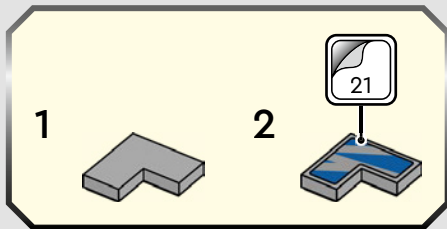


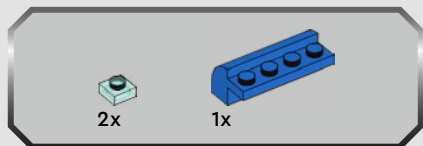
43



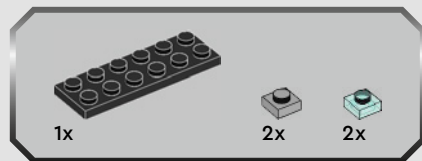
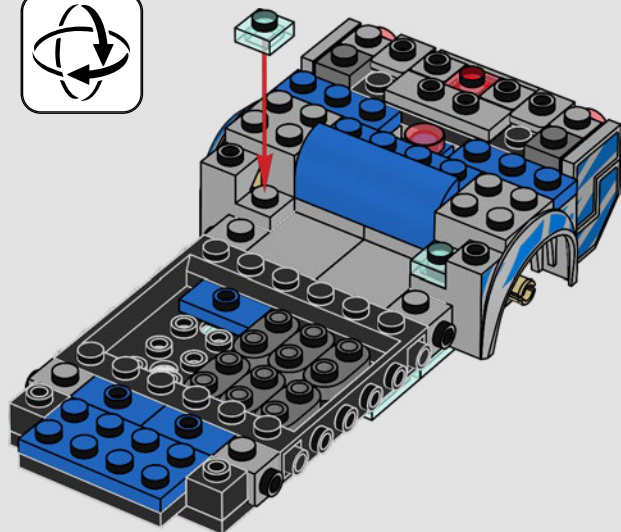


44

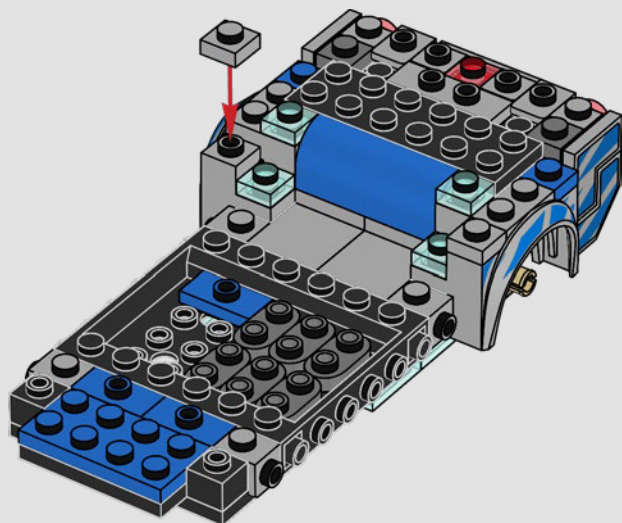




45

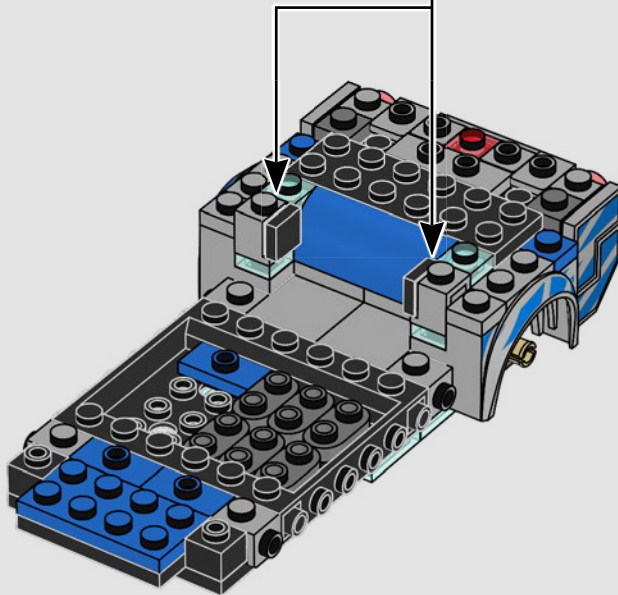
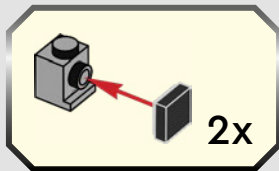


46



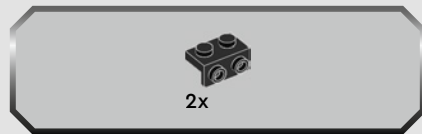
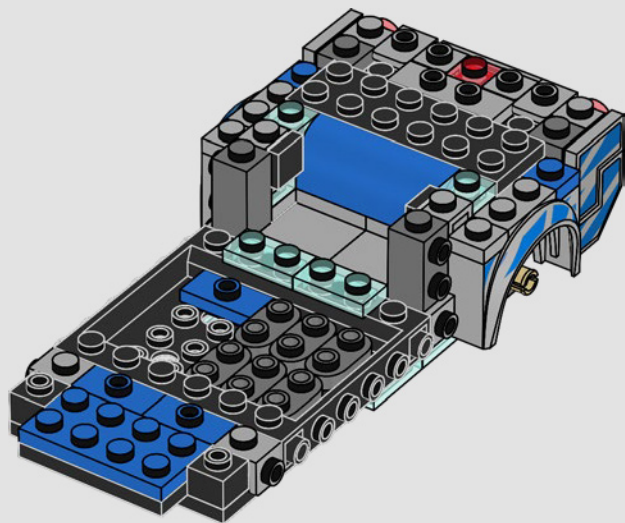


47

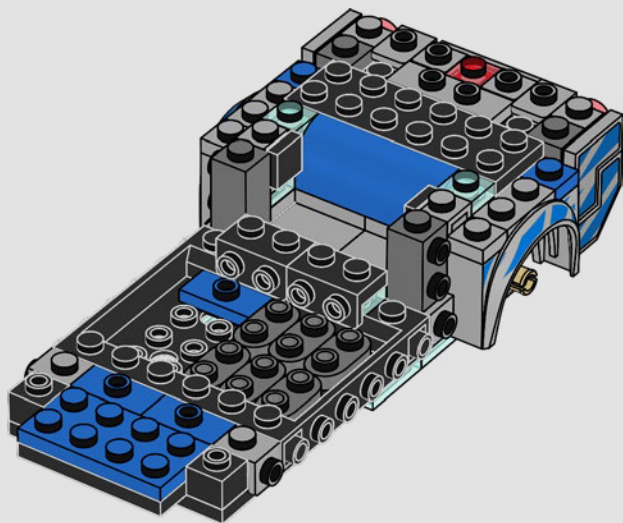




48



49



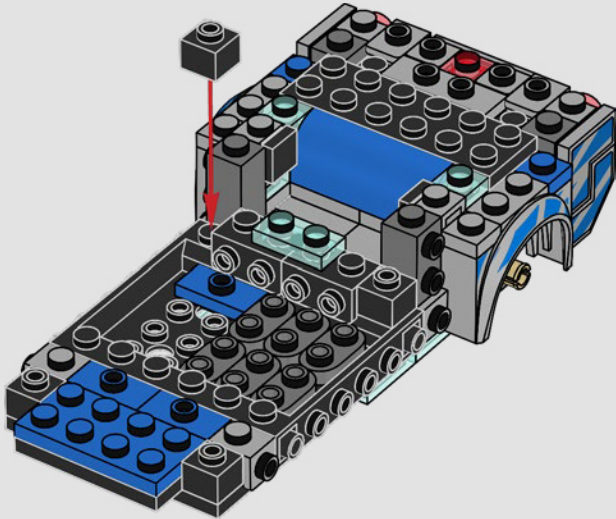


1x



2x

50

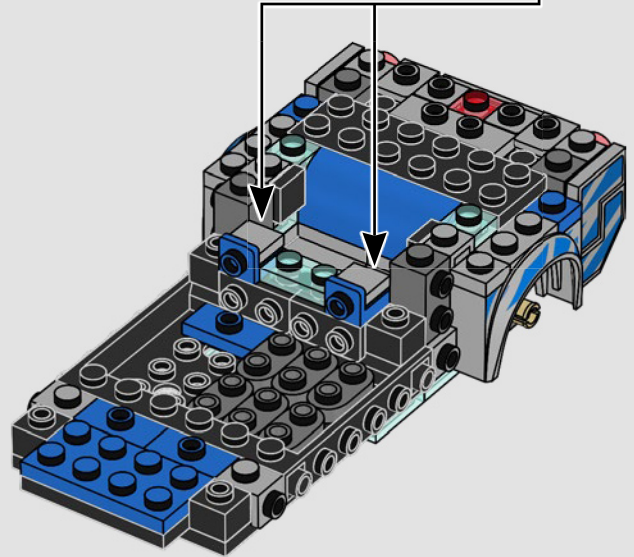


2x

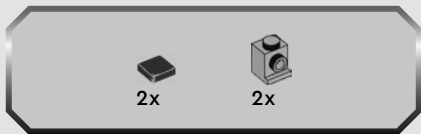


2x

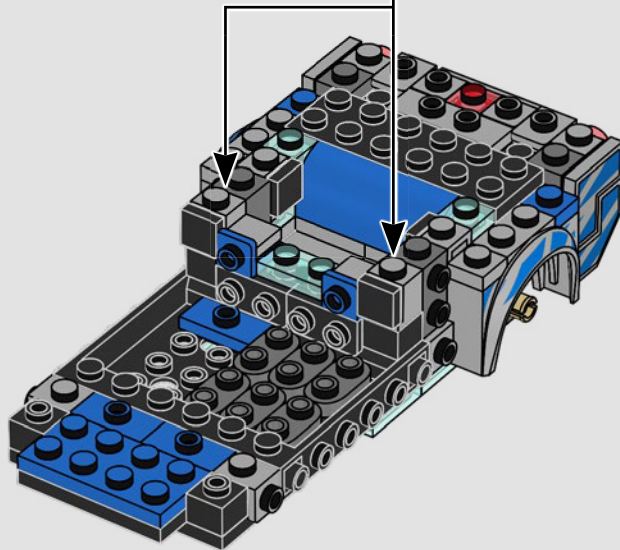
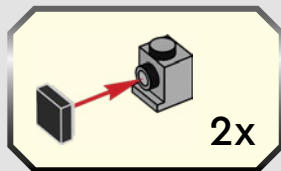
51

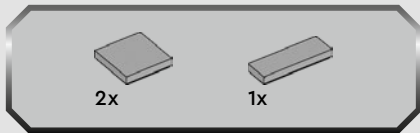




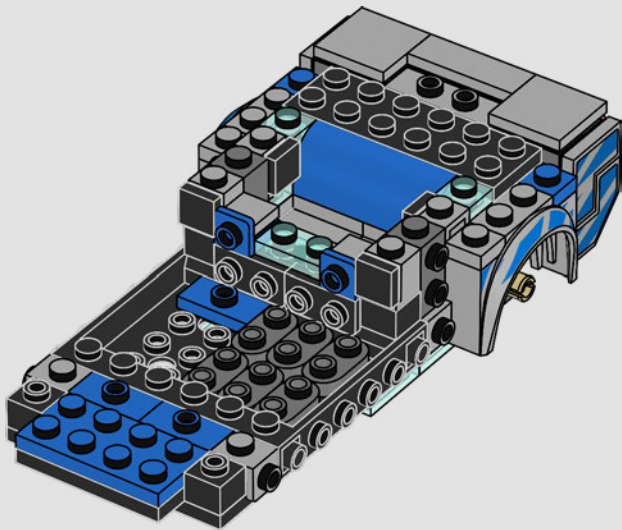


52



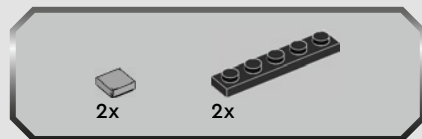
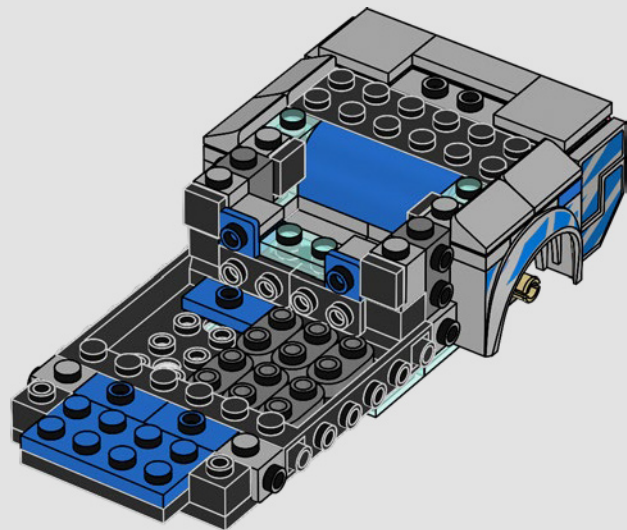


53

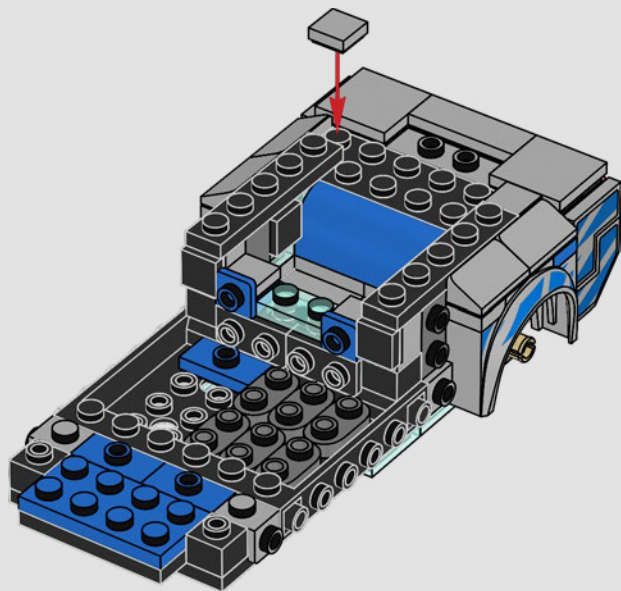


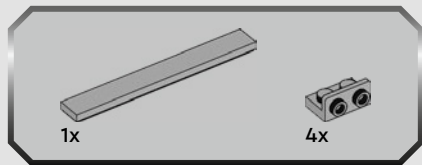


54



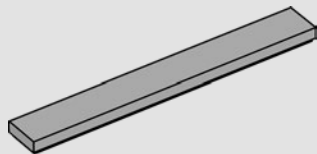
55



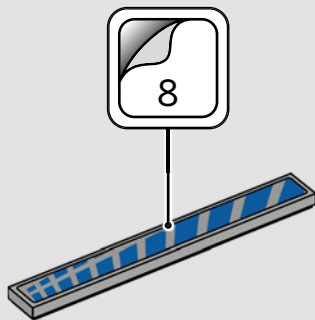


56

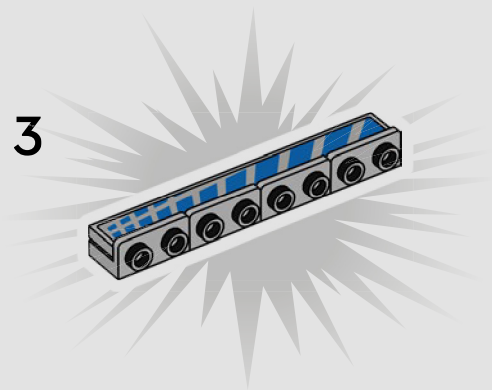
1

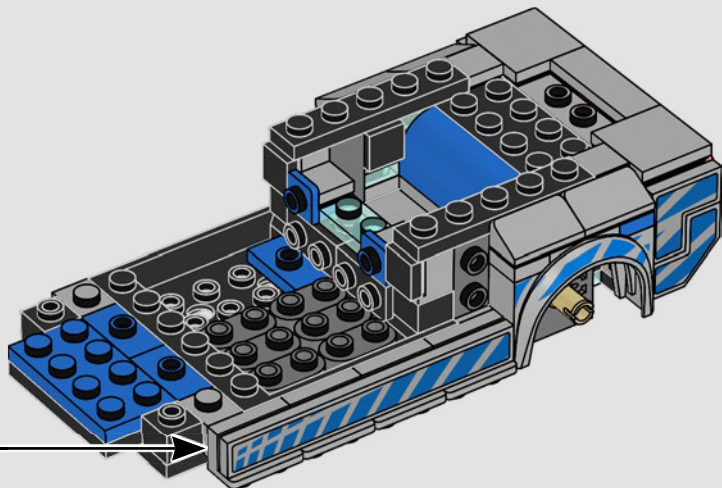


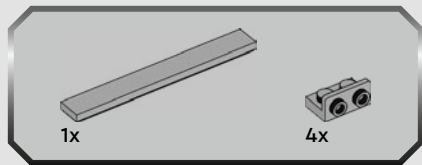
2



3

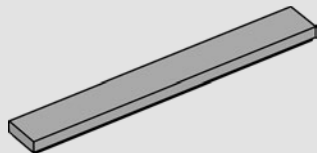




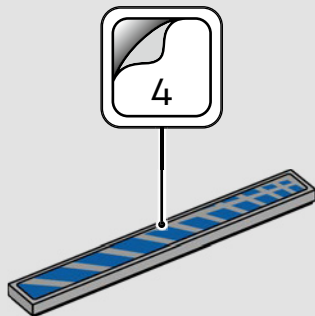


57

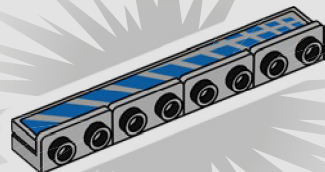
1

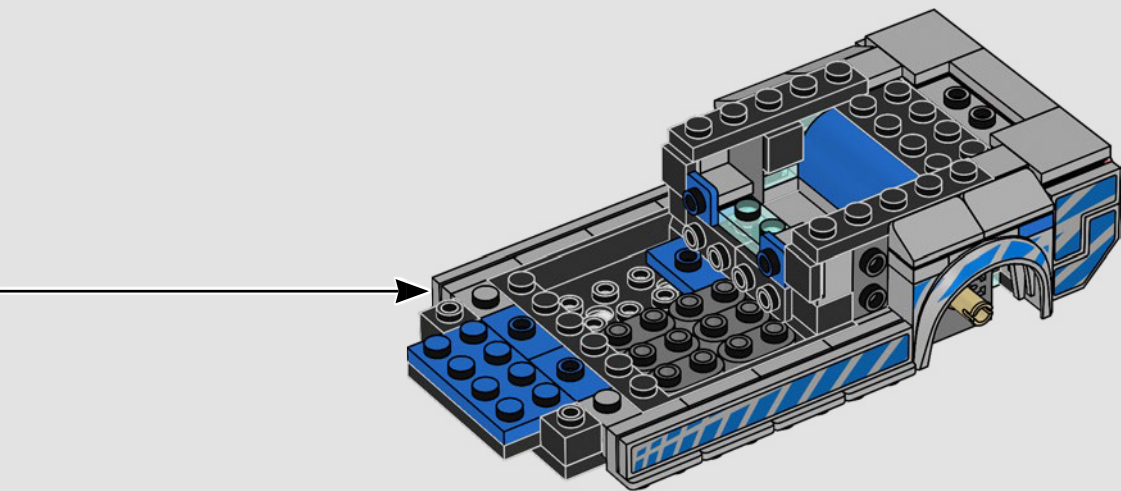


2



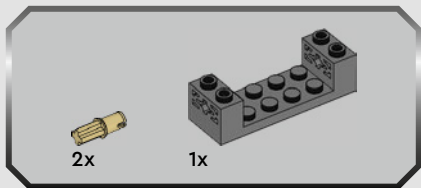
3



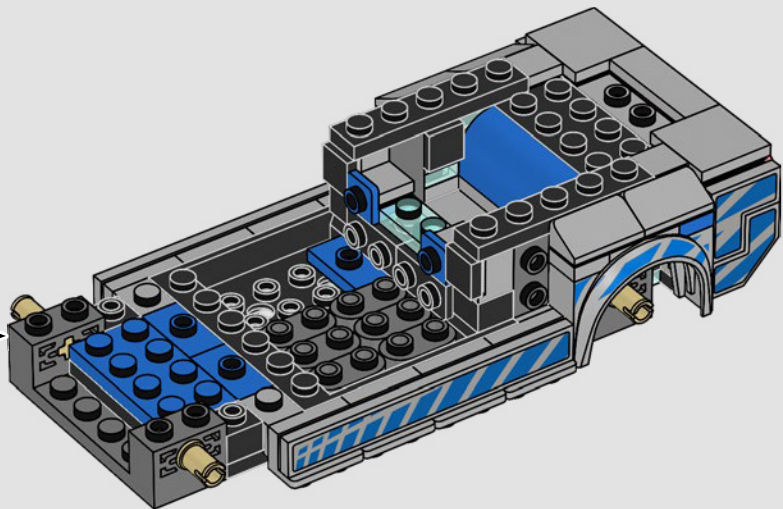
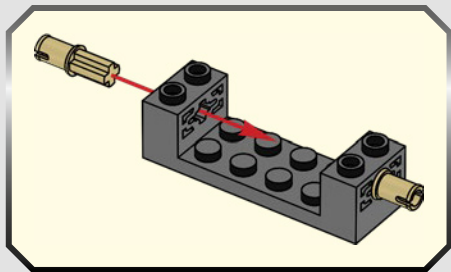


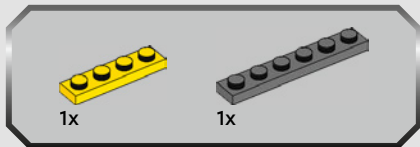




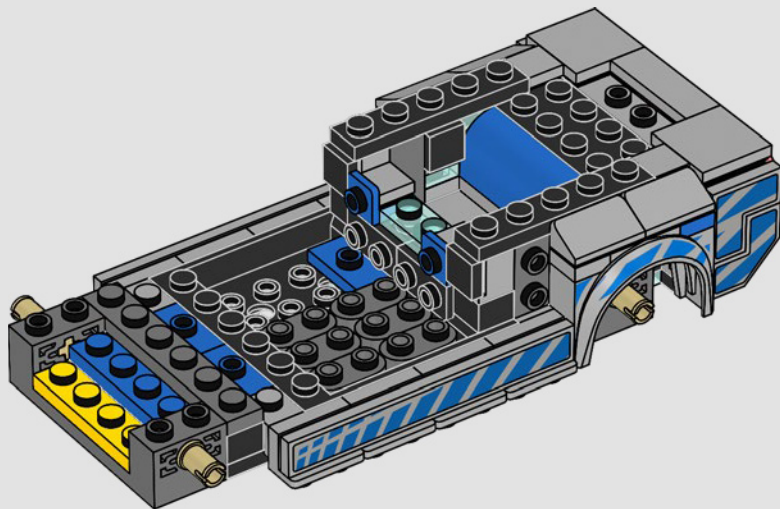


58





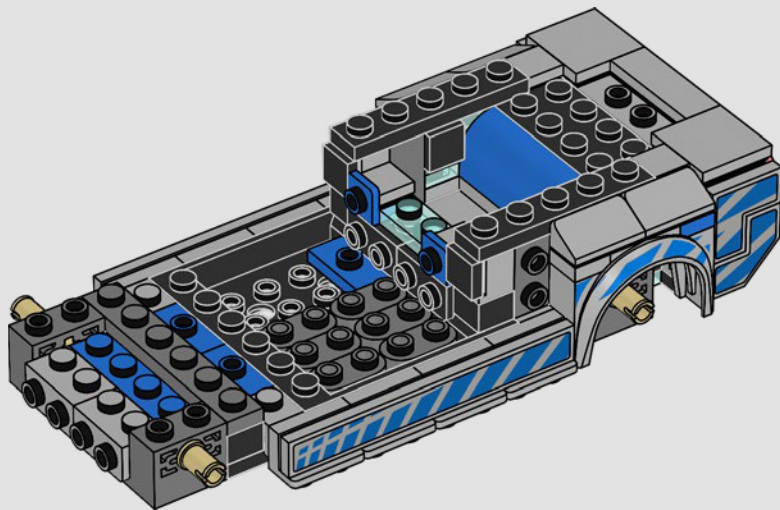
59

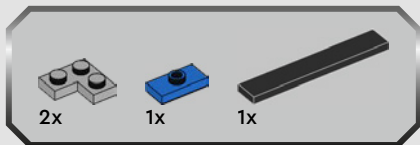




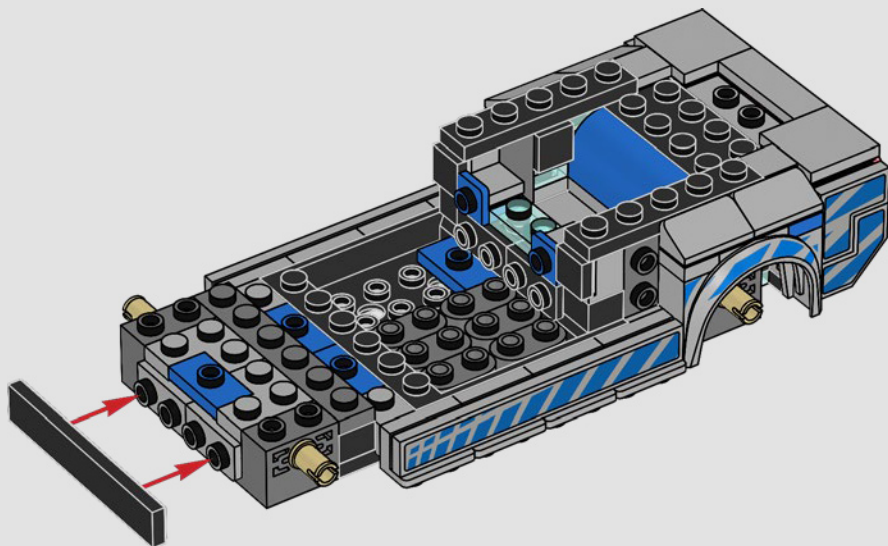
2x

60



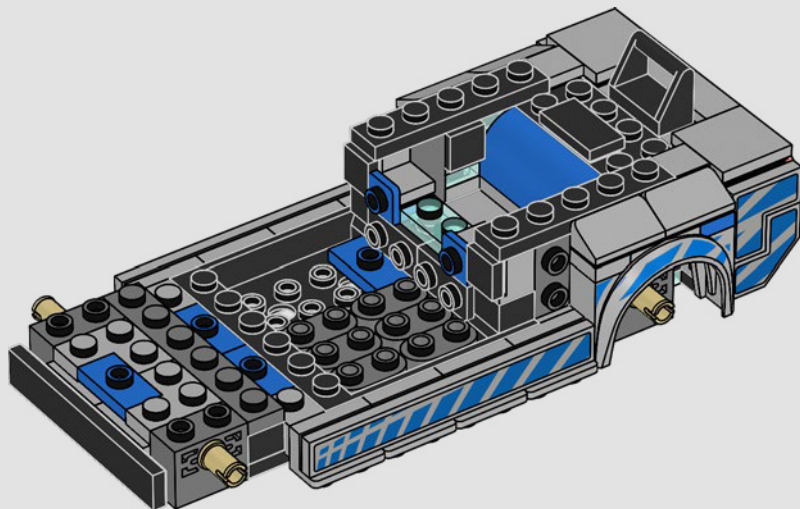


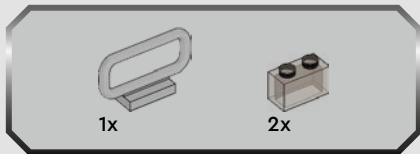
61



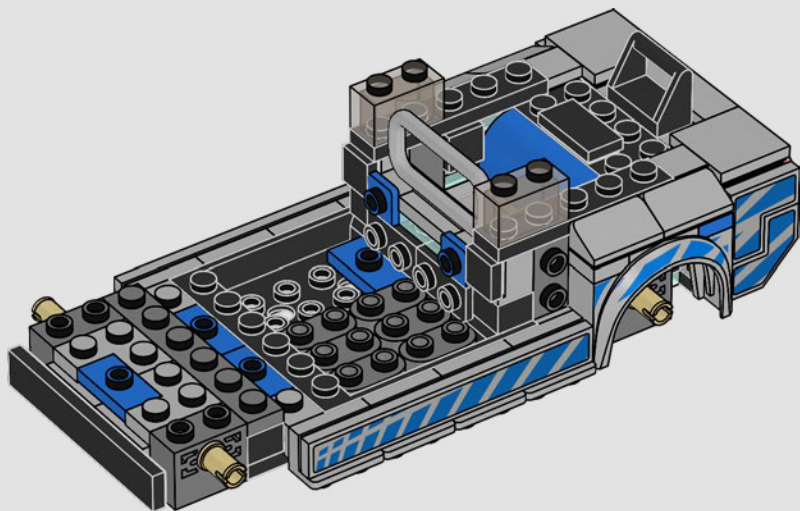


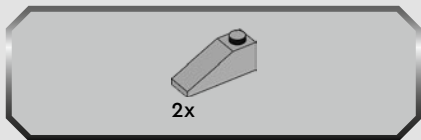
62



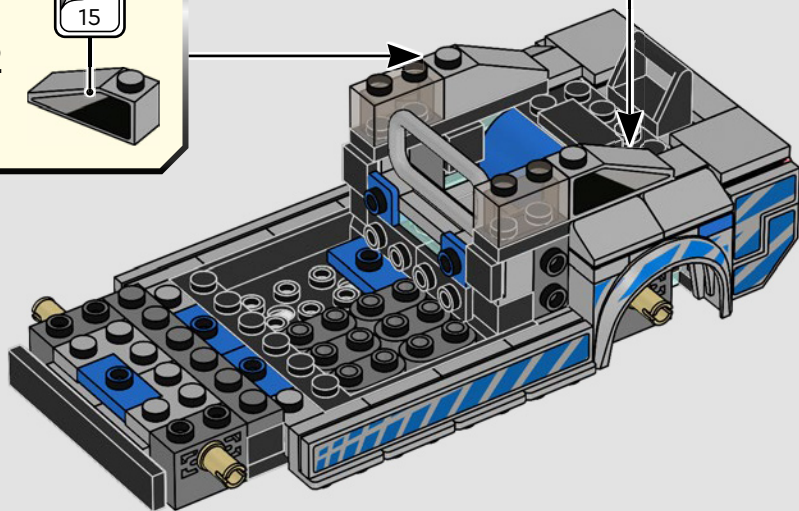
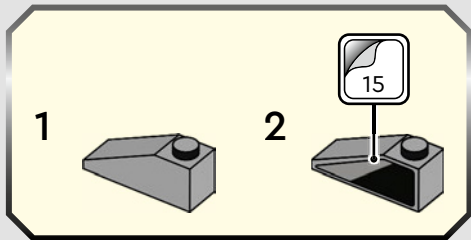
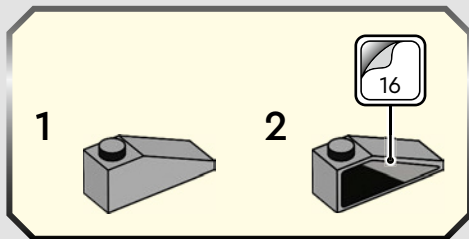


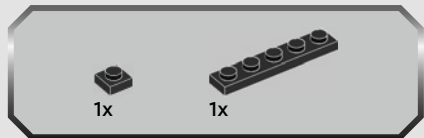
63



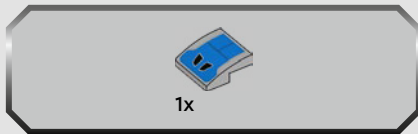
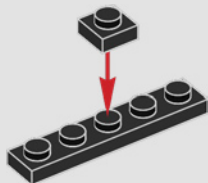


64

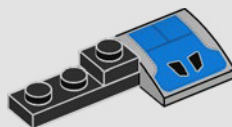




65



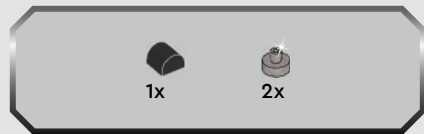
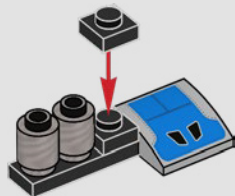
66



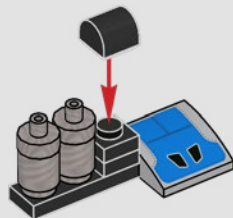




67

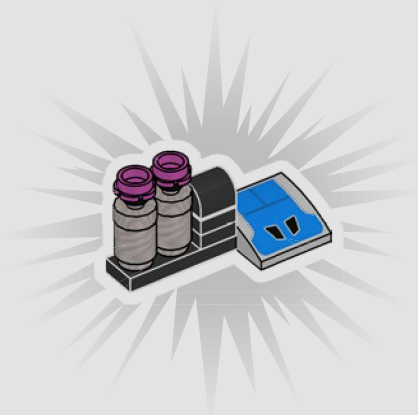


68

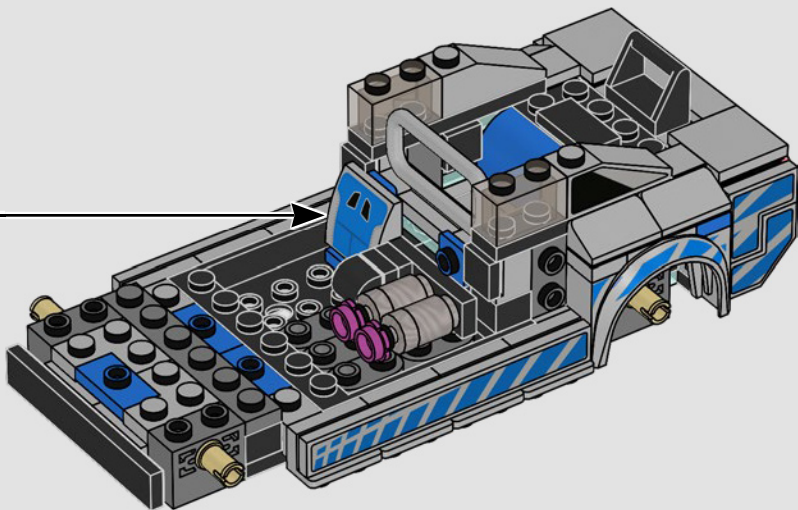


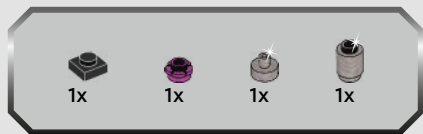


69

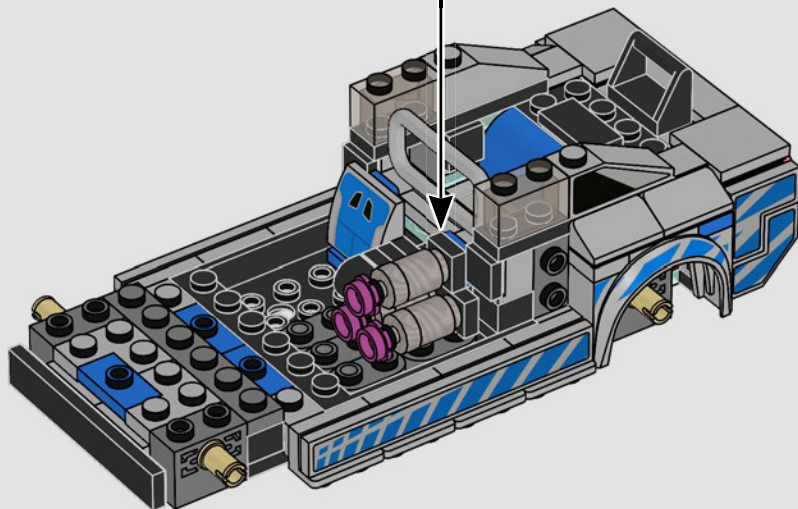
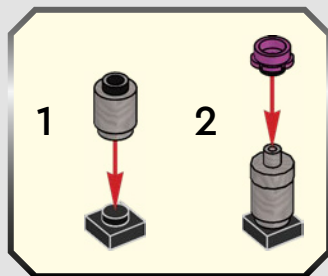


70





71



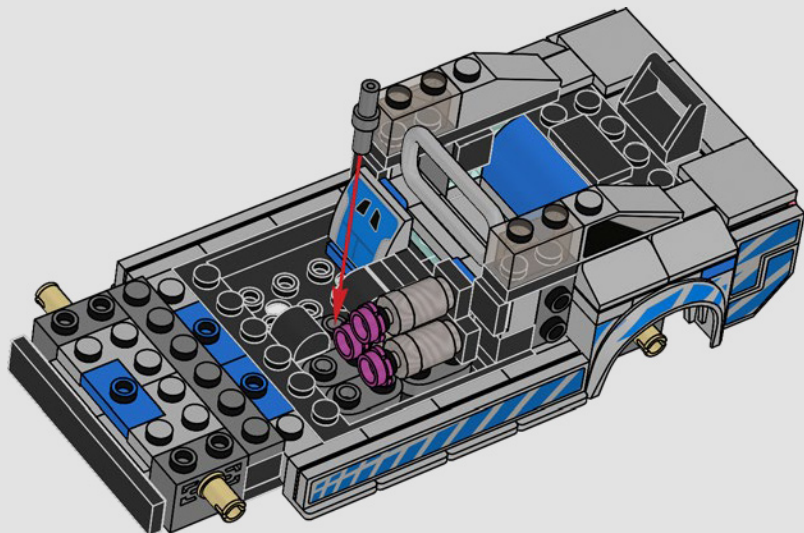


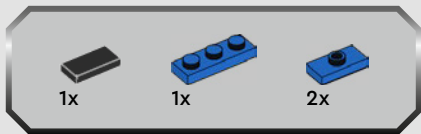
1x



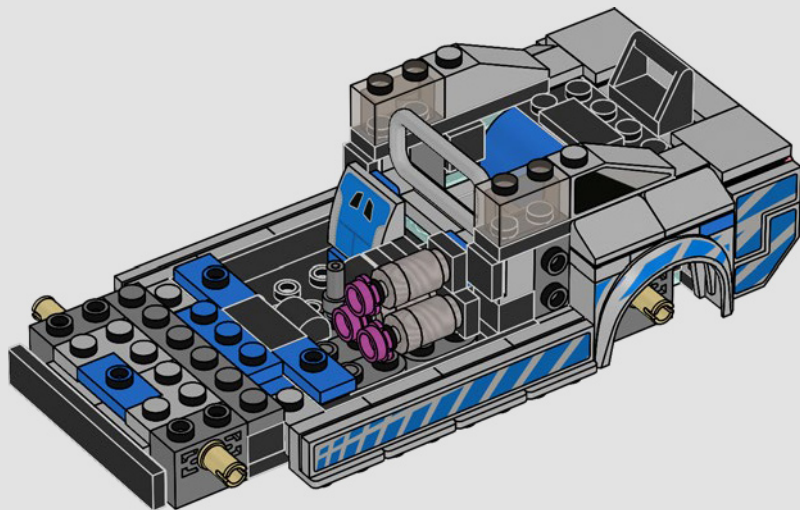
1x

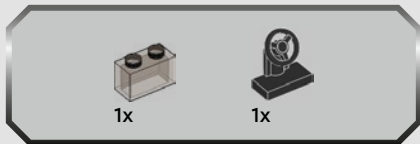
72



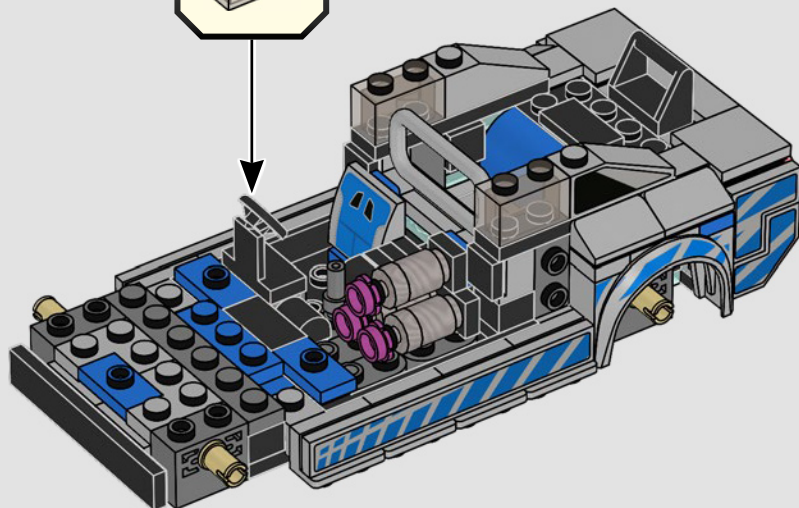
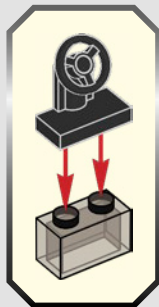


73



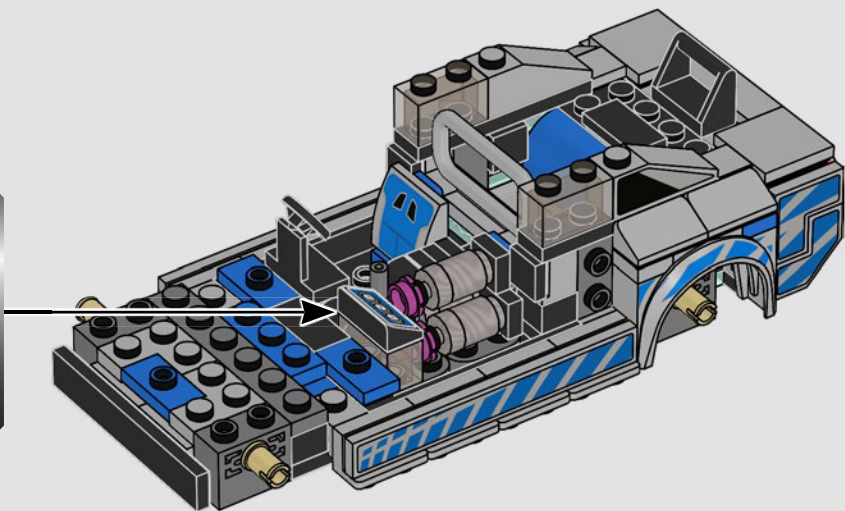
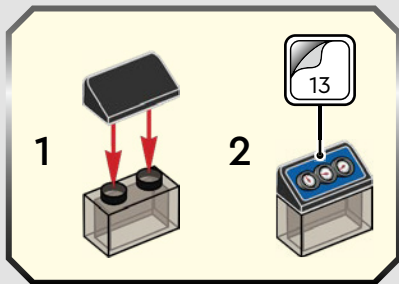


74





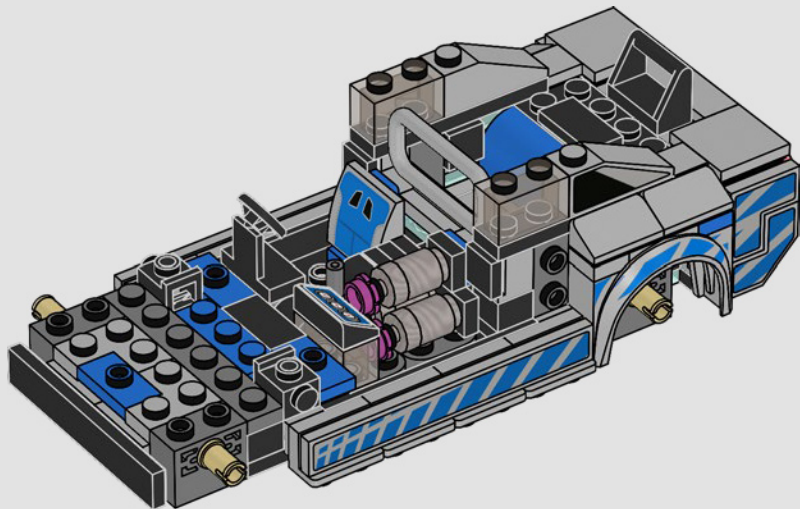
75



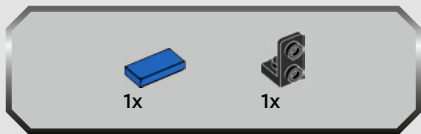


2x

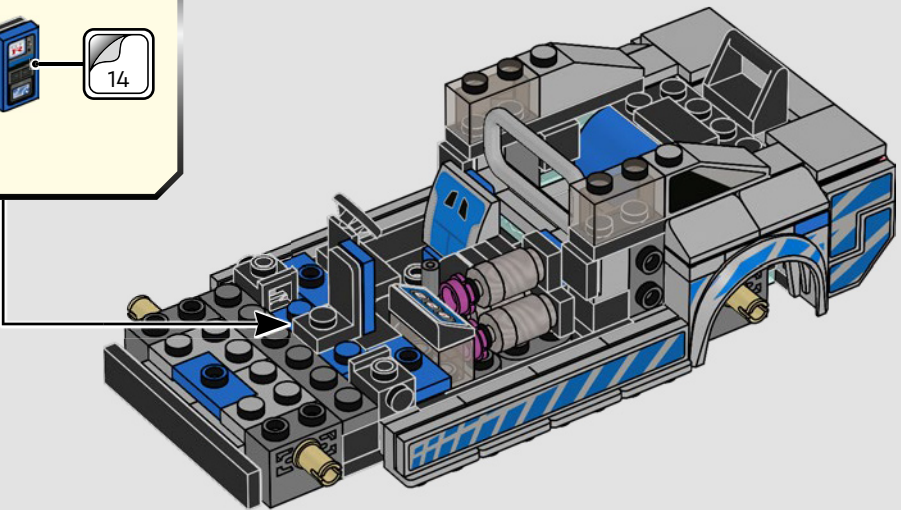
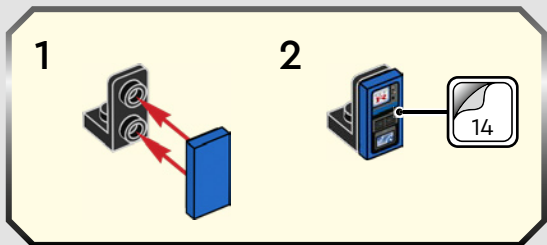
76







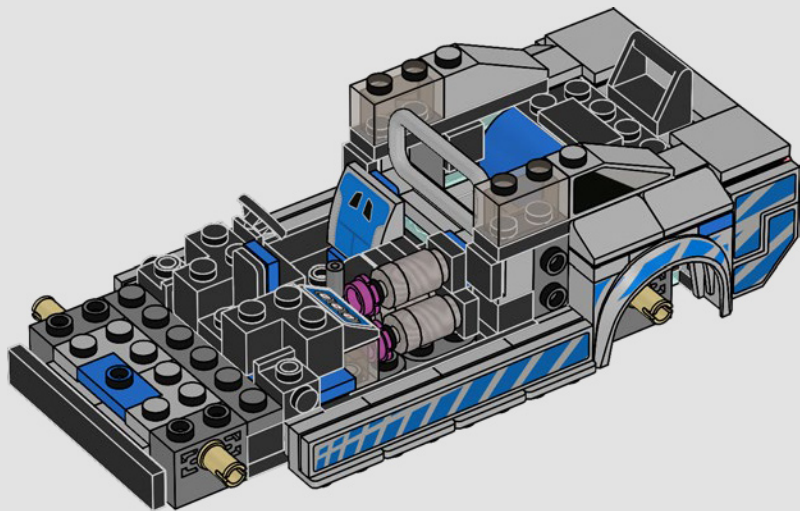
77

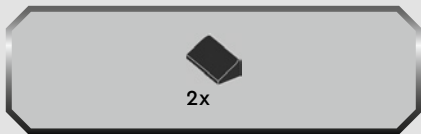




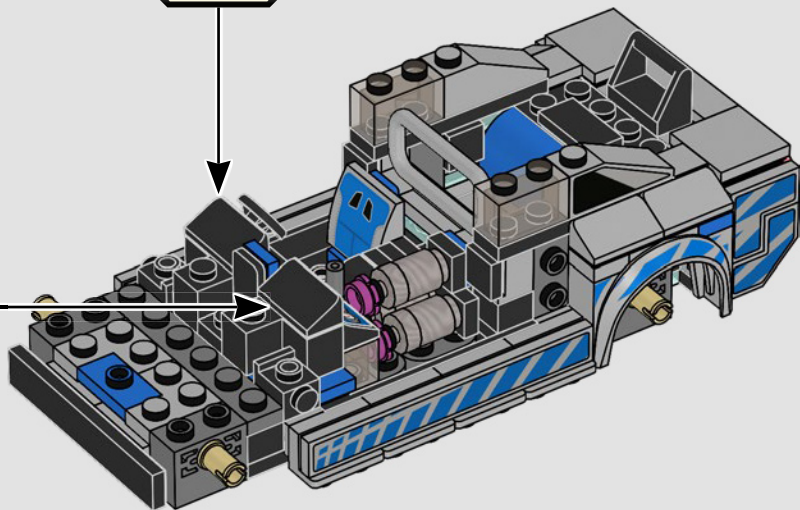
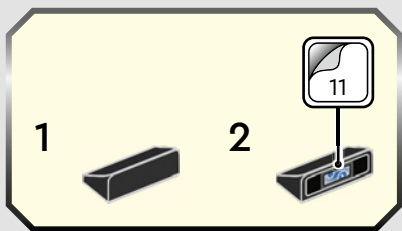
2x

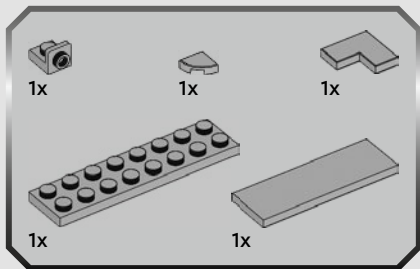
78





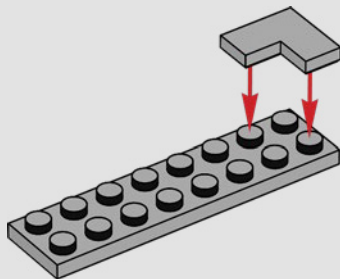
79



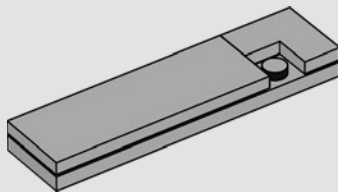


80

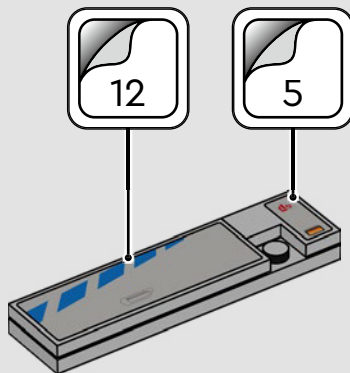
1



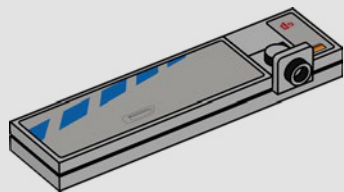
2



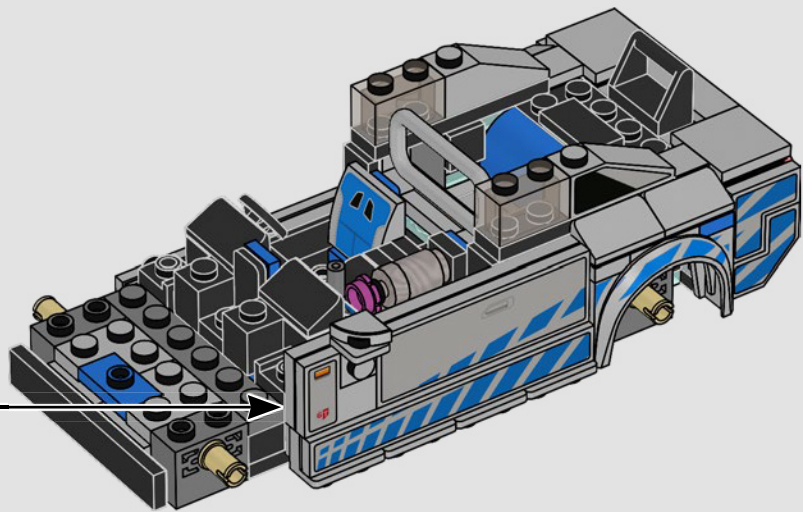
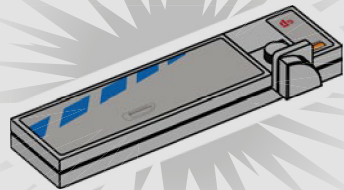
3

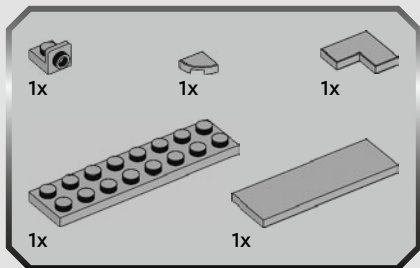


4

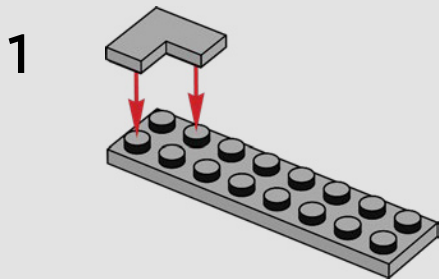


5

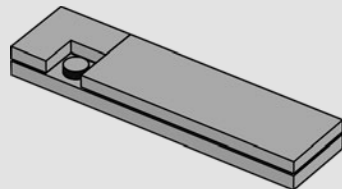




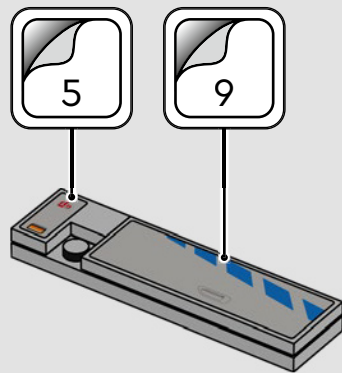
81



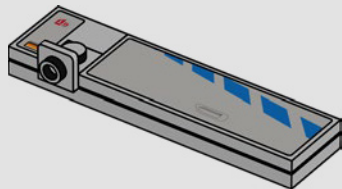
2



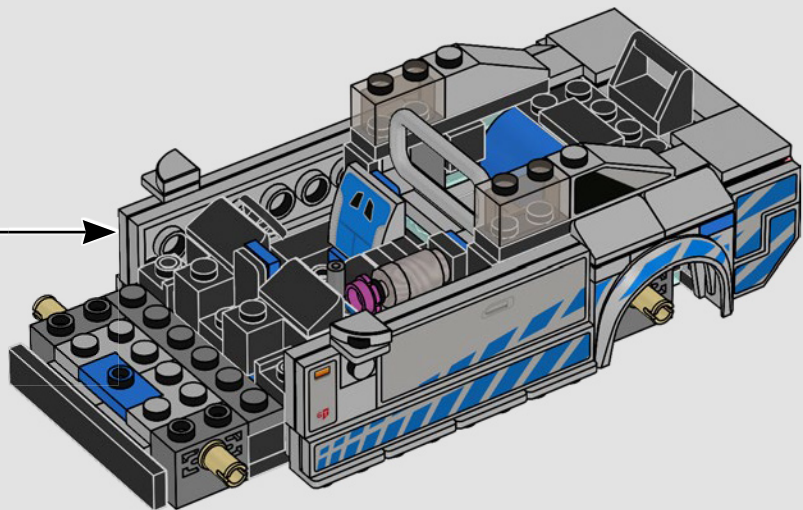
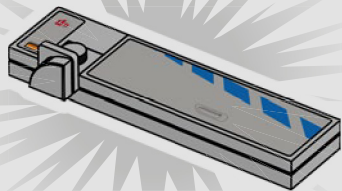
3



4



5



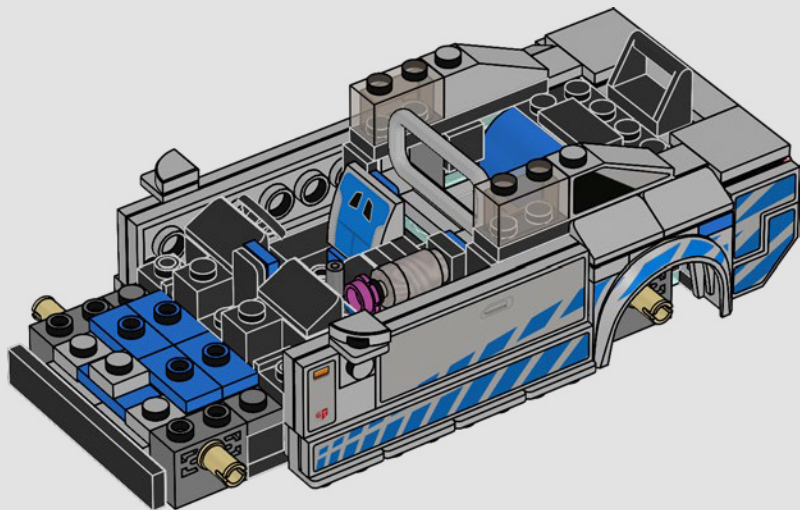


1x

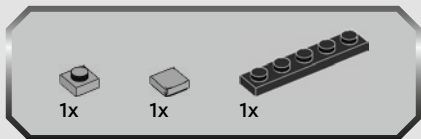


4x

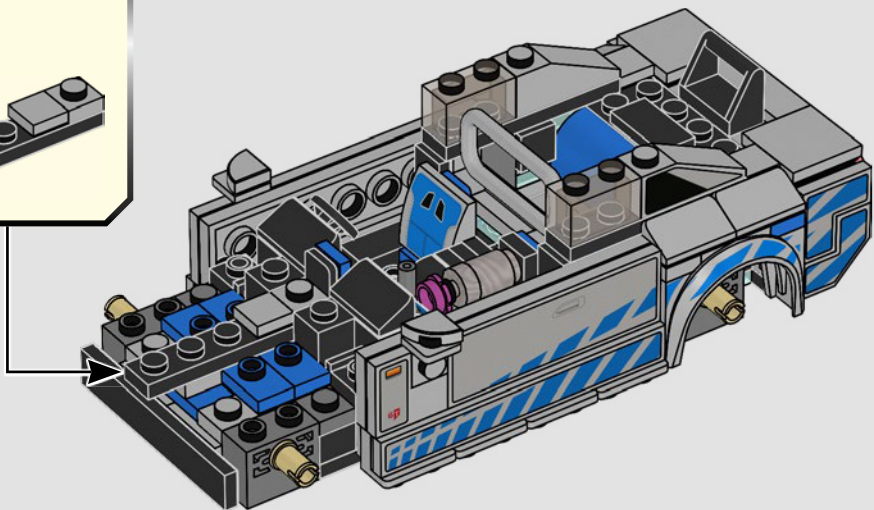
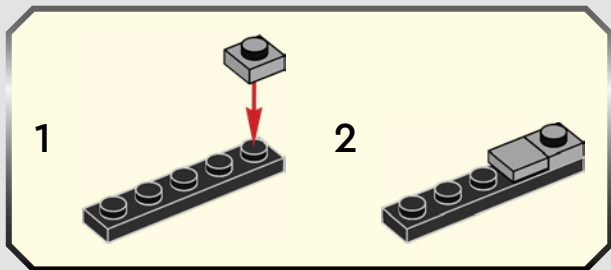
82

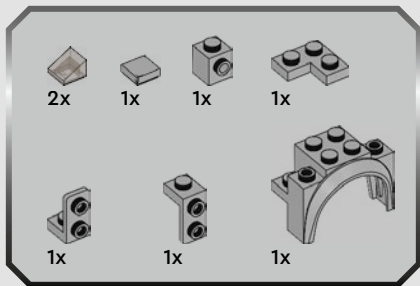






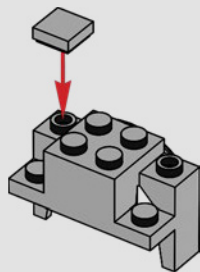
83



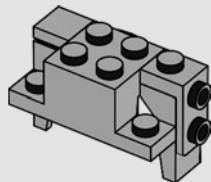


84

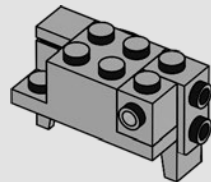
1



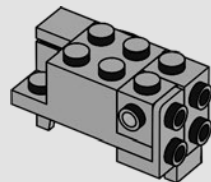
2



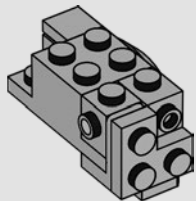
3



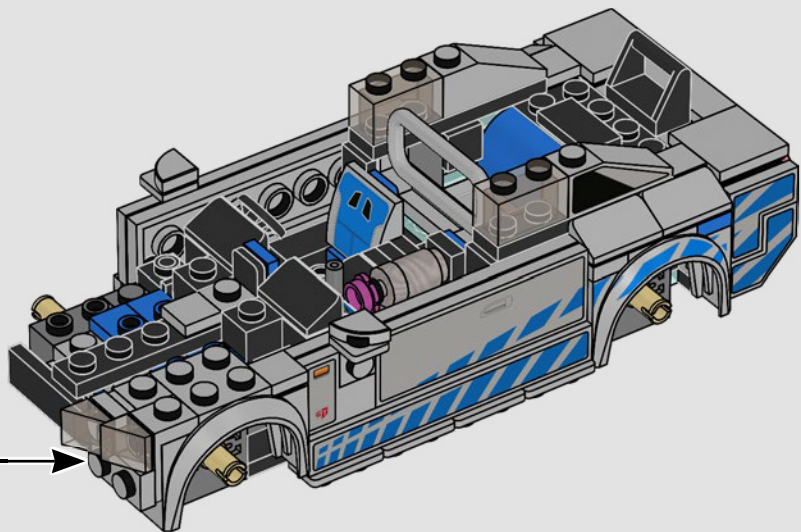
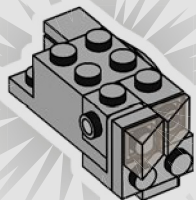
4

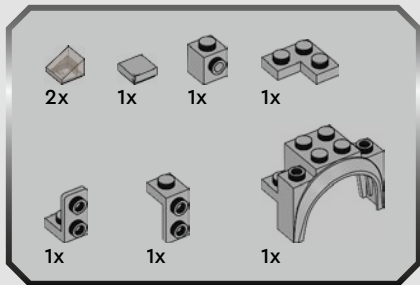


5



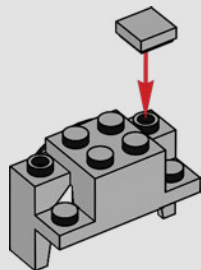
6



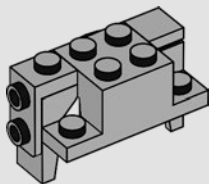


85

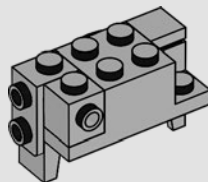
1



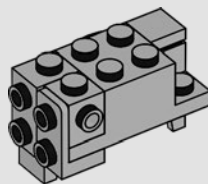
2



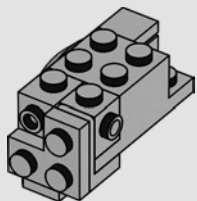
3



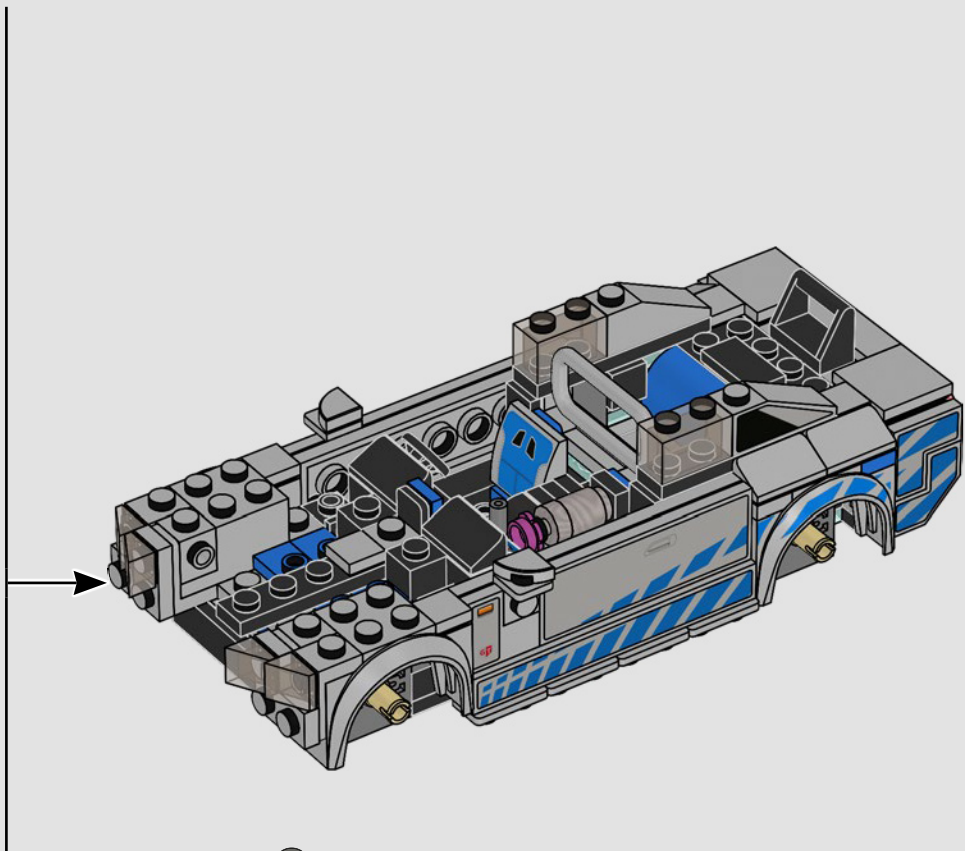
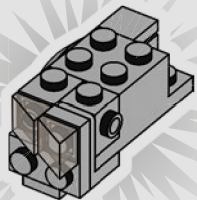
4

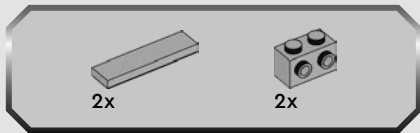


5

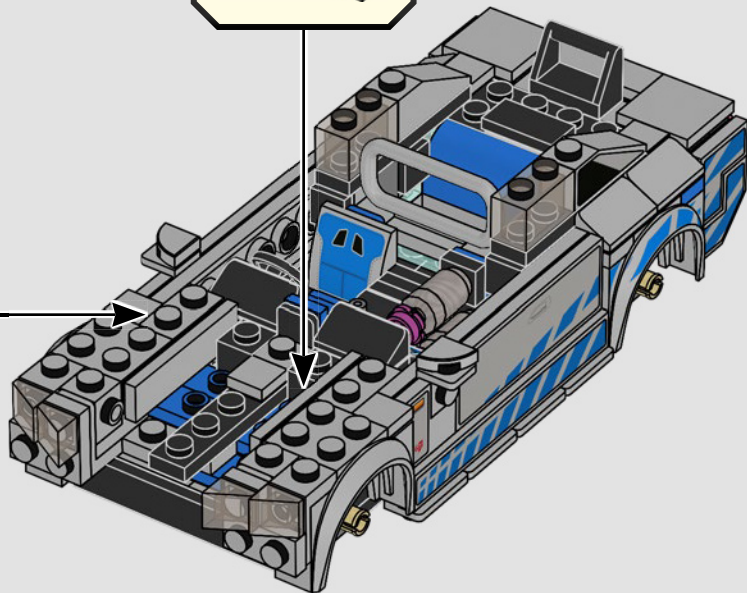
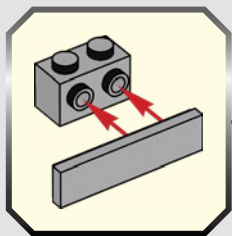
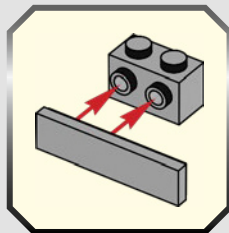


6



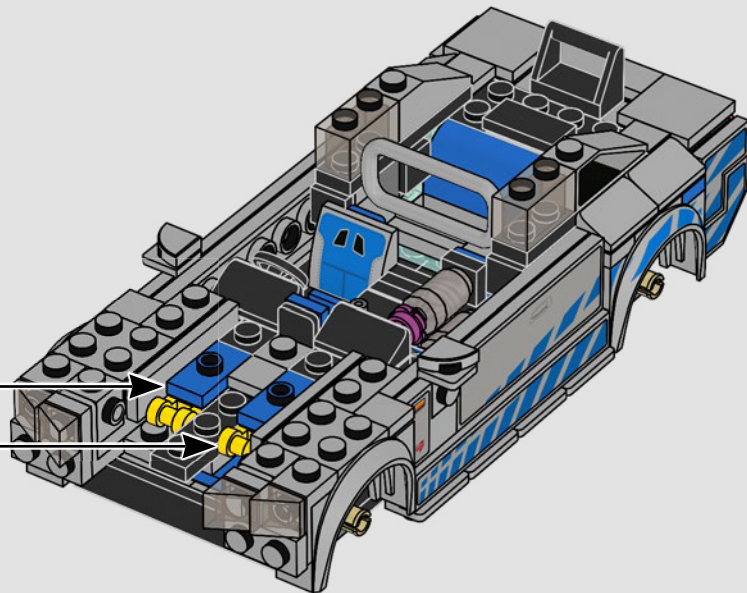
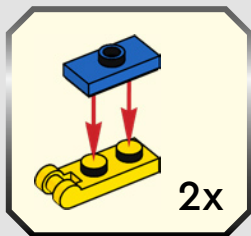


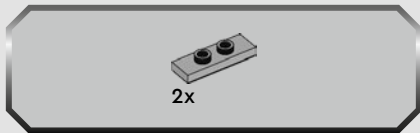
86



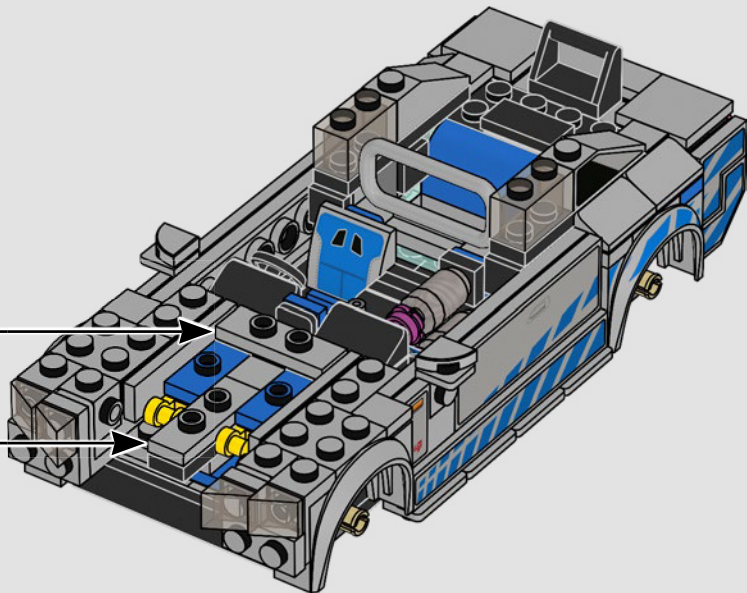
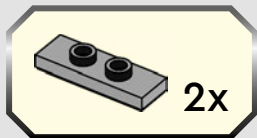


87





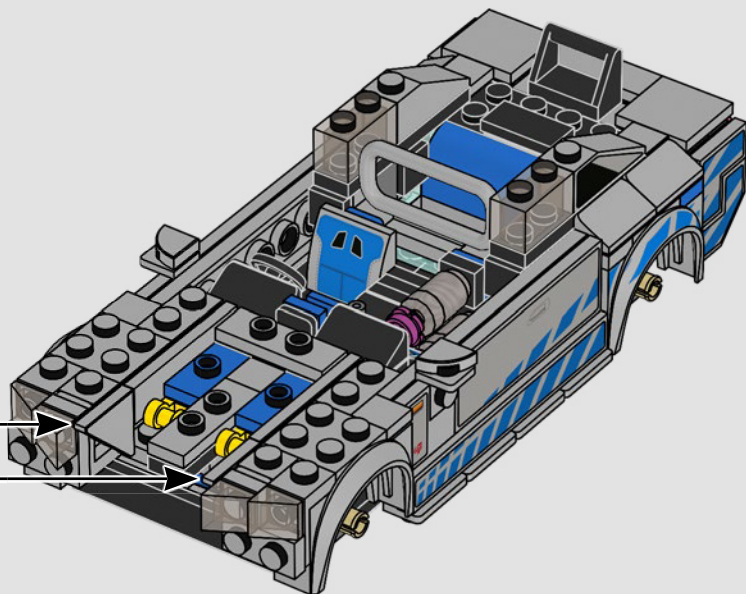
88

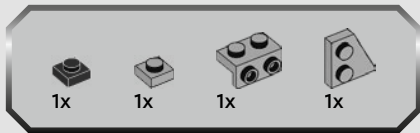




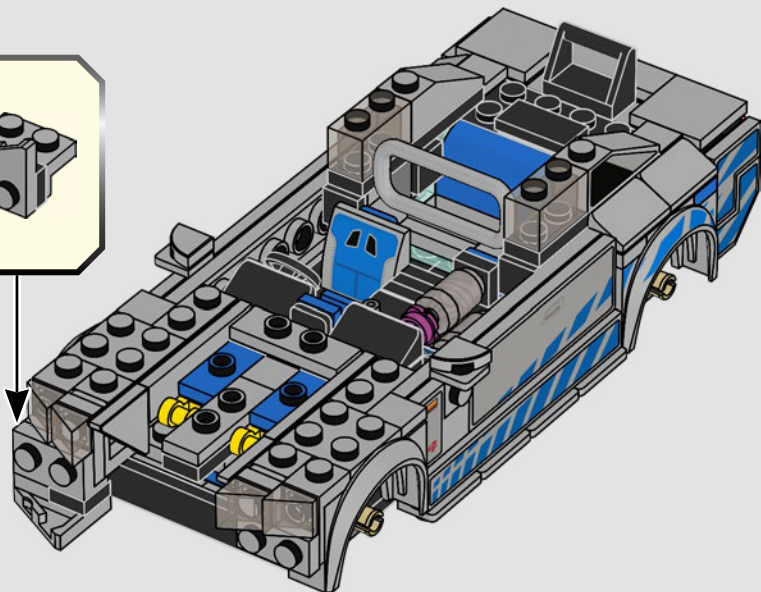
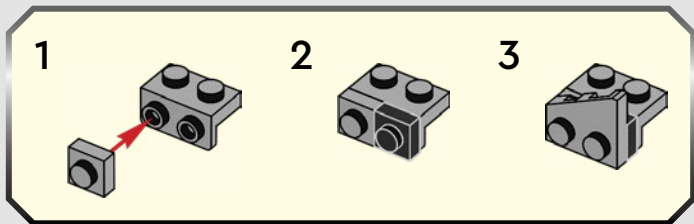


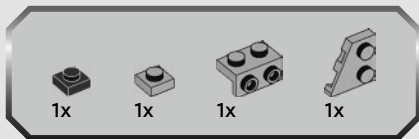
89



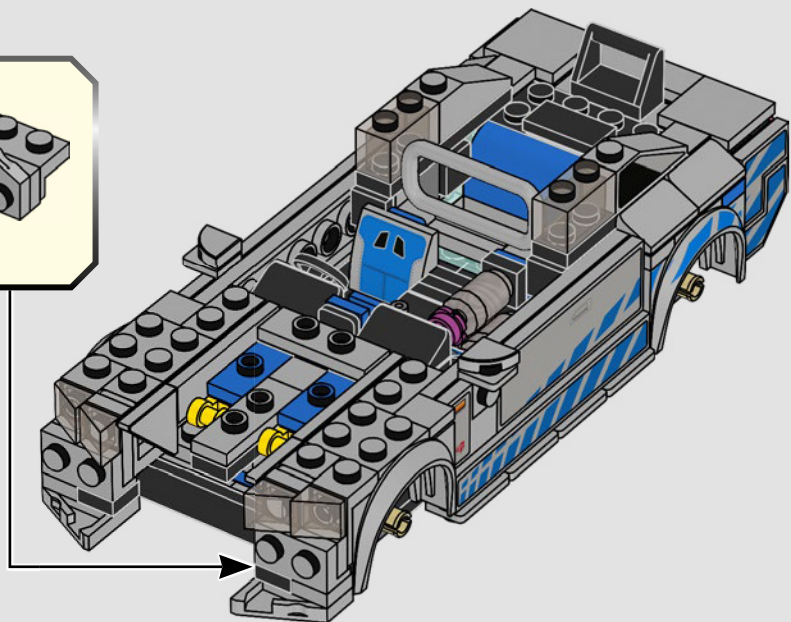
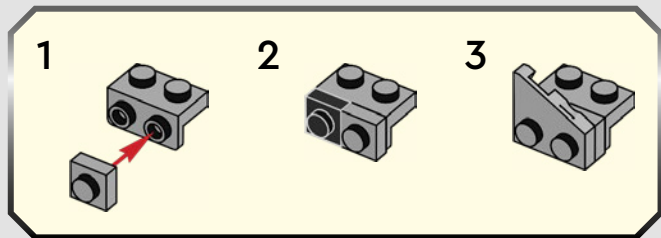


90





91





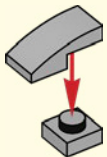
2x



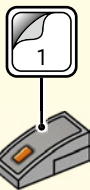
2x

92

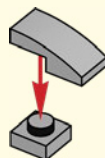
1



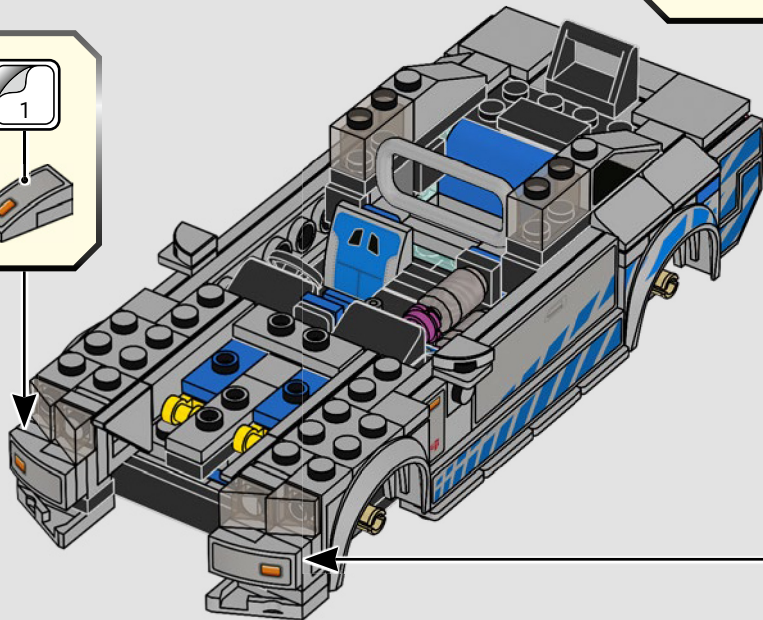
2

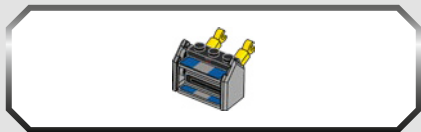


1

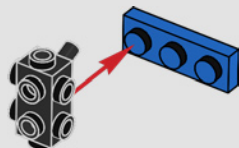


2

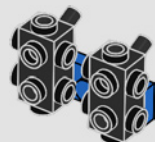




93

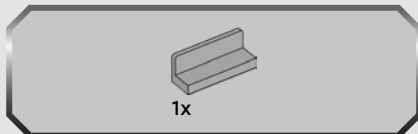
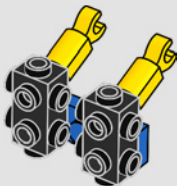


94

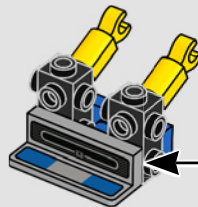
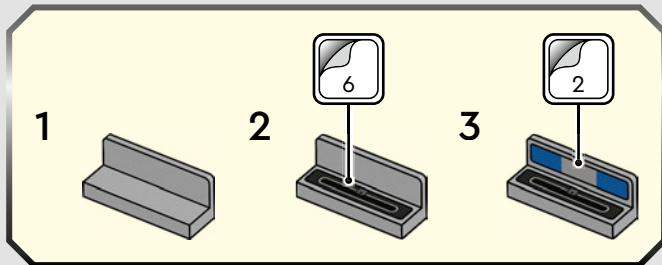


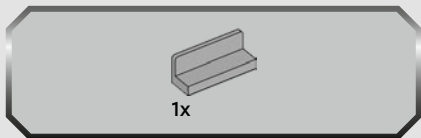


95

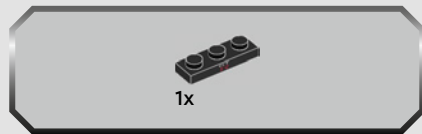
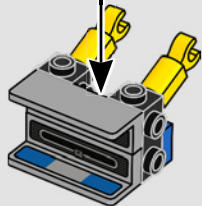
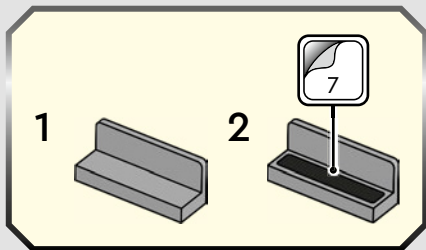


96

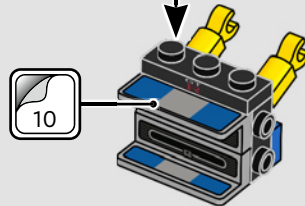


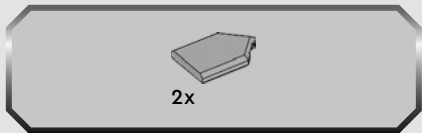


97

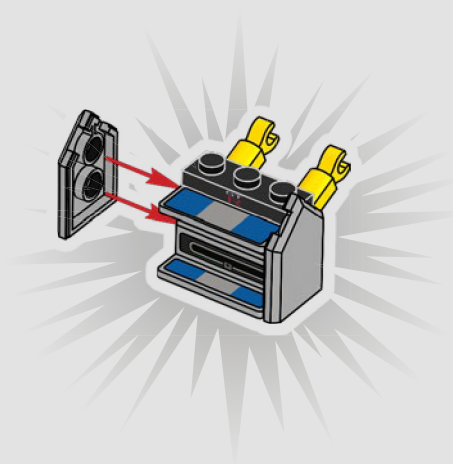


98

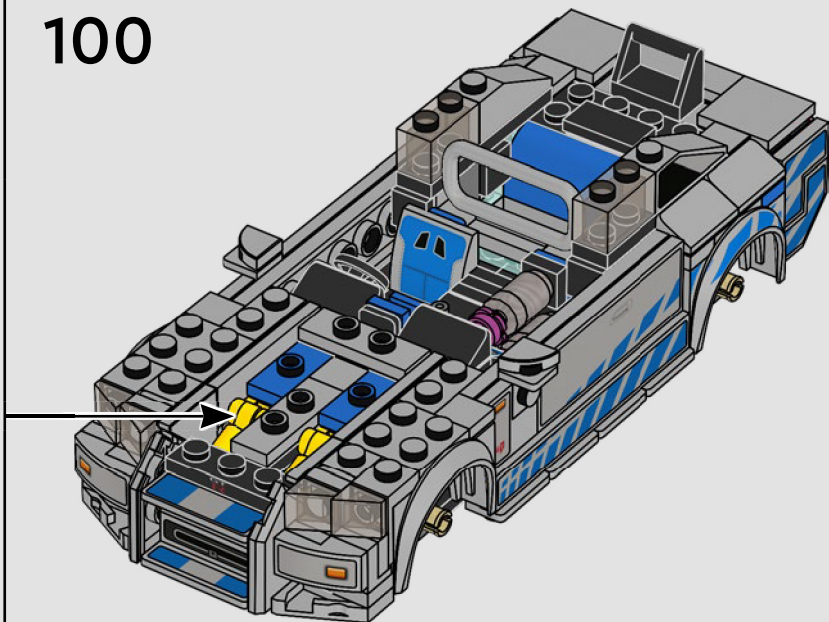




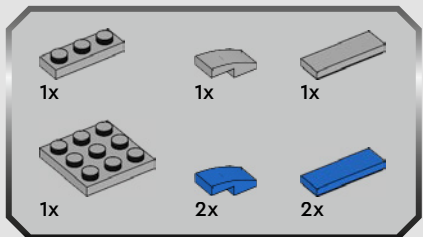
99



100

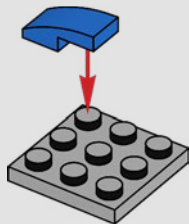




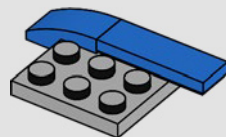


101

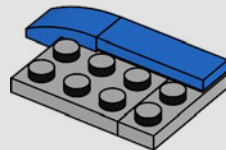
1



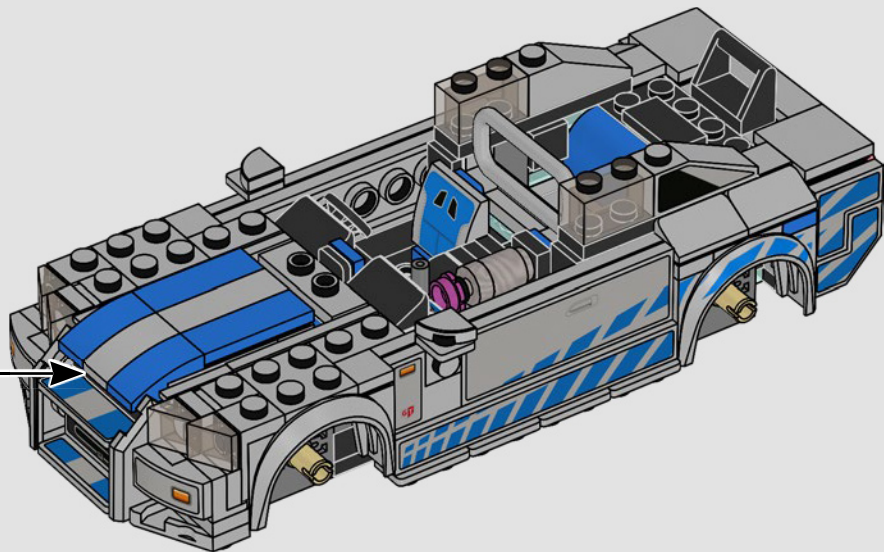
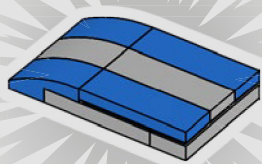
2

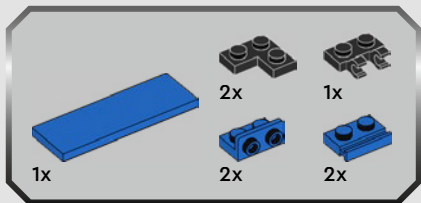


3

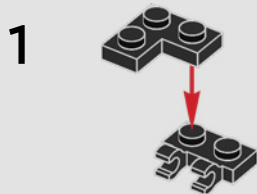


4

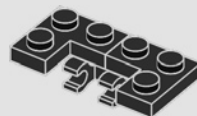




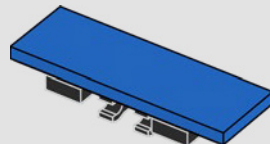
102



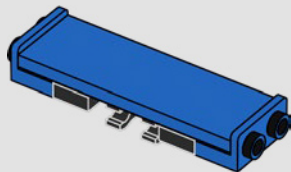
2



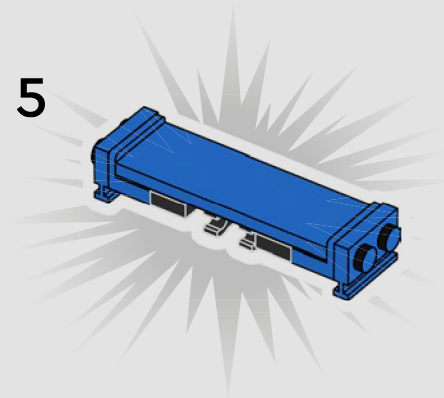
3

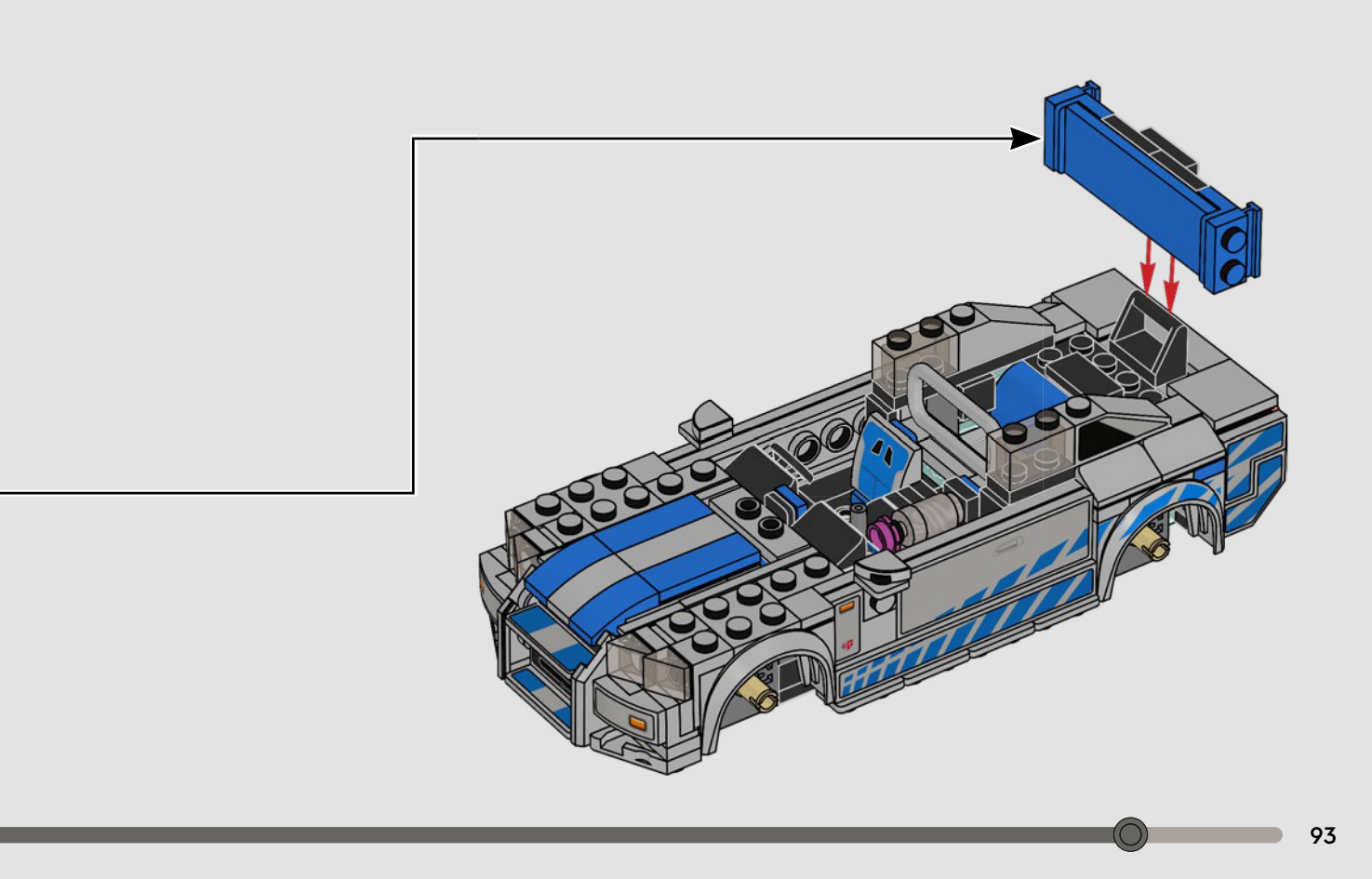


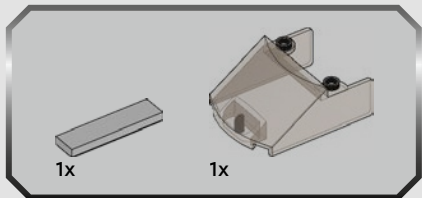
4



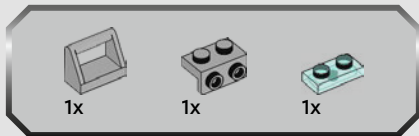
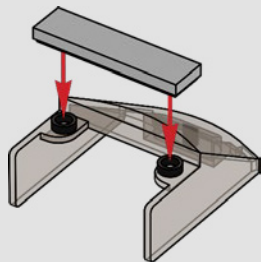
5



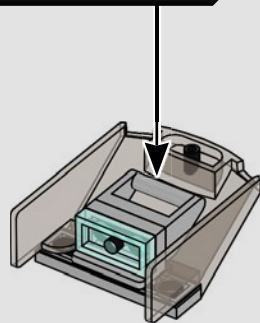
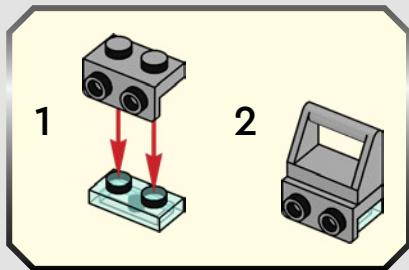




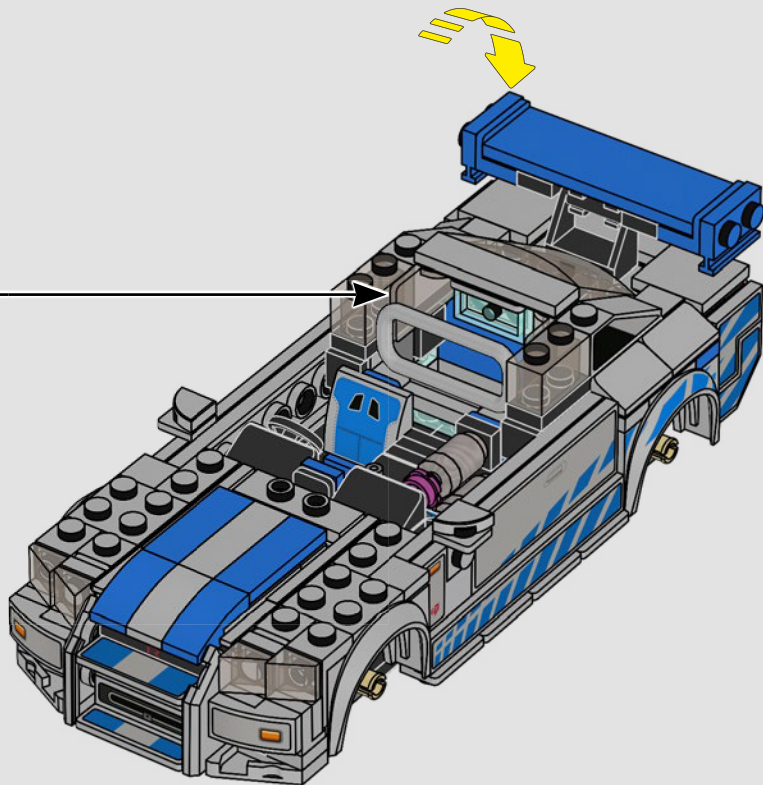
103

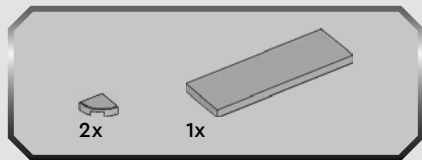


104

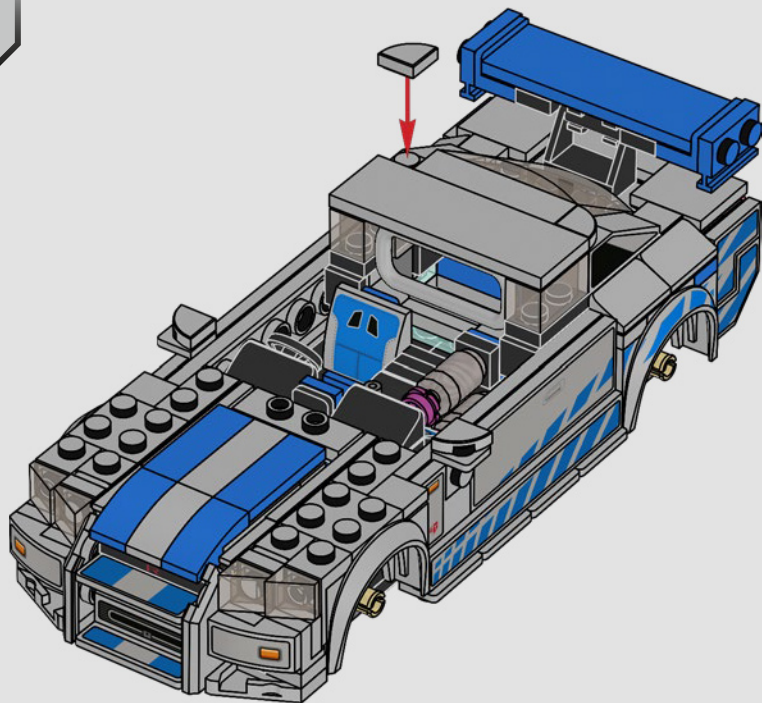


105

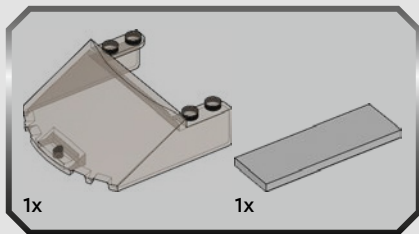




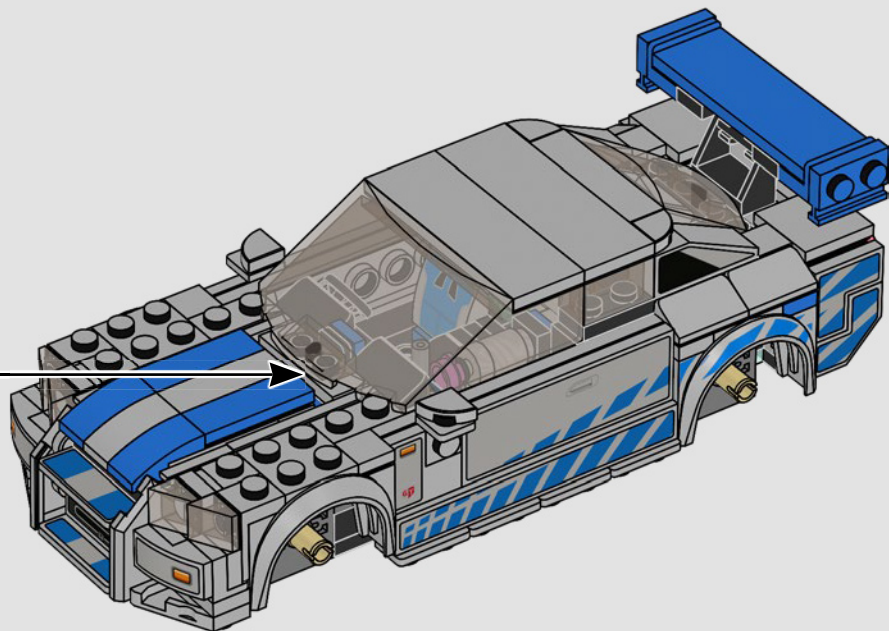
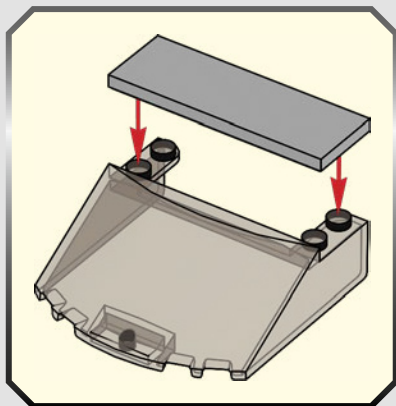
106





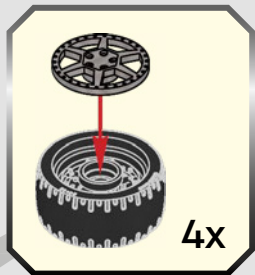
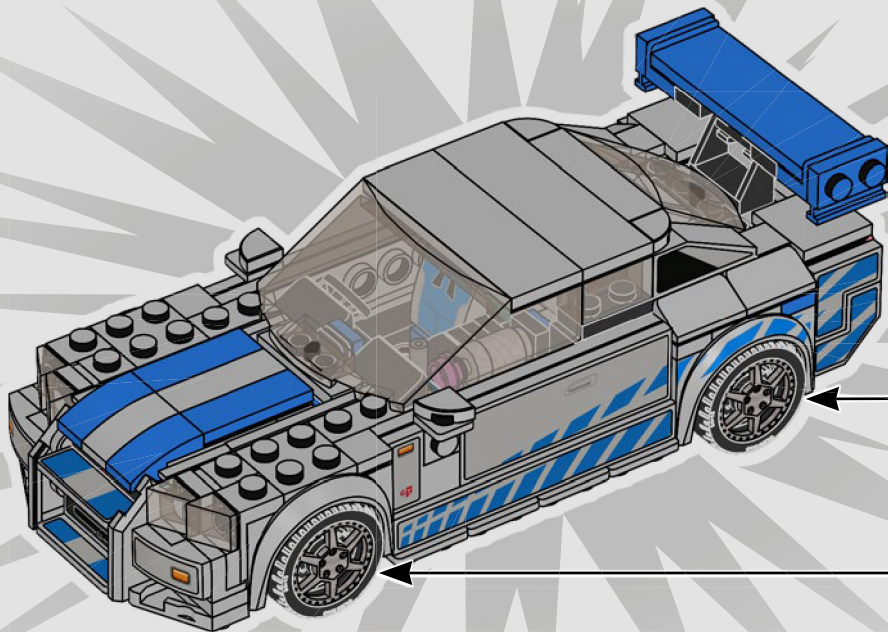


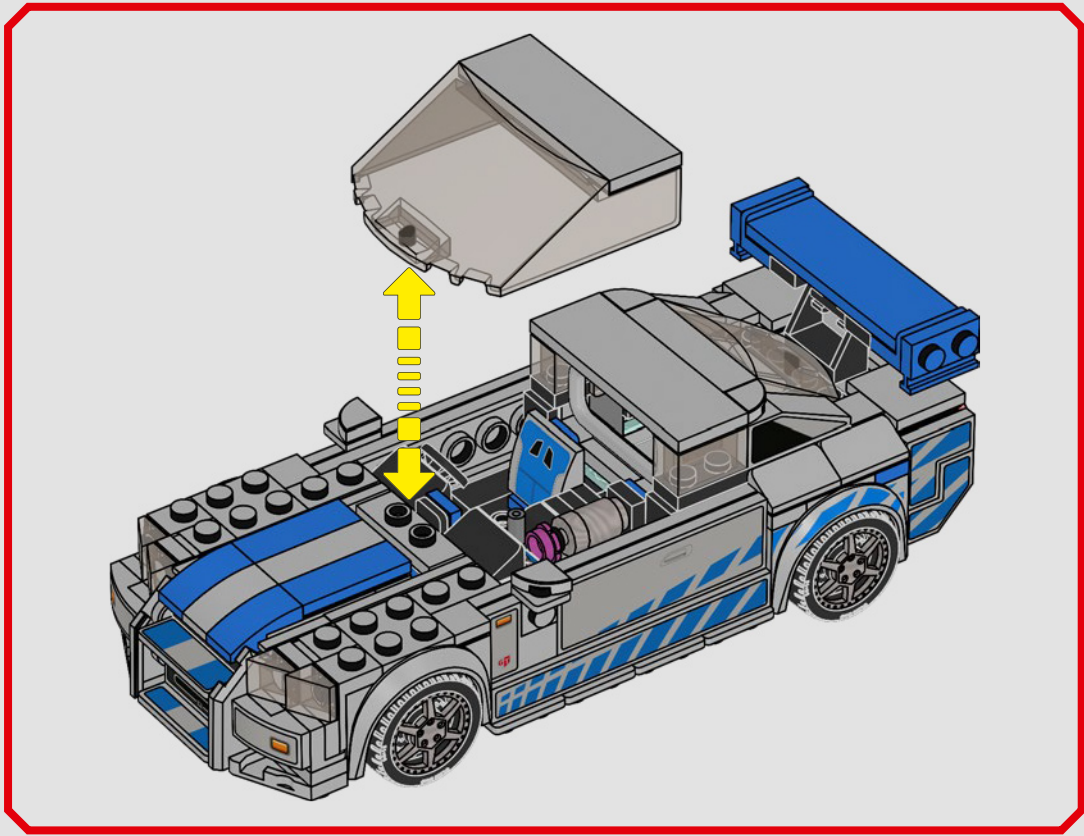
107

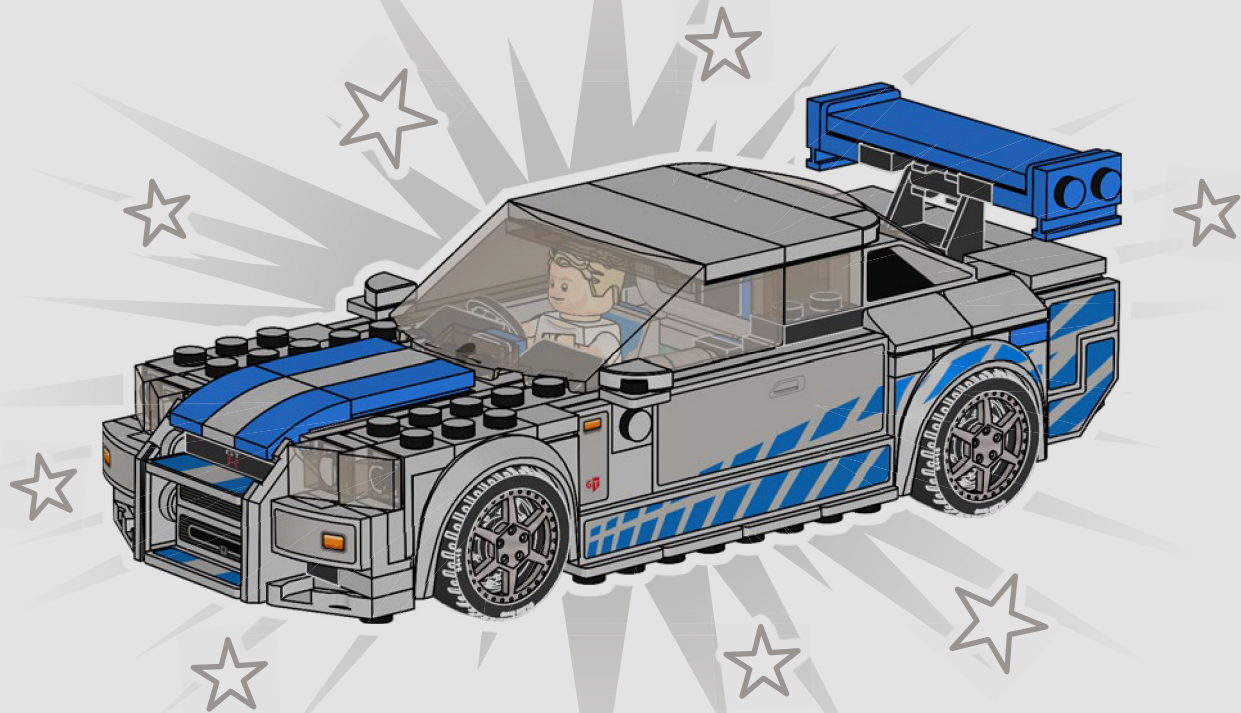




108









# SPEED CHAMPIONS



76911



76912



76910



76906



76907



76908



76909

Produced under license of Ferrari S.p.A. The name FERRARI, the PRANCING HORSE device, all associated logos and distinctive designs are property of Ferrari S.p.A. The body designs of the Ferrari cars are protected as Ferrari S.p.A. property under design, trademark and trade dress regulations.

Dodge, HEMI and related logos, vehicle model names and trade dress are trademarks of FCA US LLC and used under license by The LEGO Group. ©2022 FCA US LLC.

The "Lamborghini" and "Lamborghini Bull and Shield" trademarks, copyrights, designs and models are used under license from Automobili Lamborghini S.p.A, Italy.

and are the intellectual property of Daimler AG. They are used by LEGO System A/S under license.

Manufactured under license from Mercedes-Benz Grand Prix Ltd. All logos featured on the livery and tyres are used with the permission

of their respective owners all of whom reserve their respective rights in the same.

*Cinturato* and are trademarks of the Pirelli Group used under license.

"Aston Martin" and the Aston Martin "wings" logo are trade marks of Aston Martin Lagonda Limited. These trade marks may not be used without its permission. All rights are reserved.

and related James Bond Trademarks Indicia © 1962-2022 Danjaq, LLC and Metro-Goldwyn-Mayer Studios, Inc. and related James Bond Trademarks are trademarks of Danjaq, LLC. All Rights Reserved.

© Universal City Studios LLC. All Rights Reserved.

Manufactured by LEGO System A/S under licence from Group Lotus Limited.



3x  
6209682



1x  
6151873



4x  
4666579



2x  
4583862



2x  
6307926



13x  
6092582



2x  
6055065



1x  
306923



2x  
6133721



2x  
6179330

102



7x  
362323



2x  
4587840



1x  
302023



1x  
6303712



1x  
6410028



1x  
400626



4x  
307026



6x  
6388352



5x  
302426



2x  
6273589



2x  
407026



1x  
6335317



3x  
4548180



2x  
306926



1x  
73081



1x  
243226



1x  
302326



2x  
6016172



2x  
6051527



1x  
6310268



2x  
6192346



2x  
235726



2x  
242026



1x  
6408451



4x  
6336858



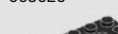
2x  
302126



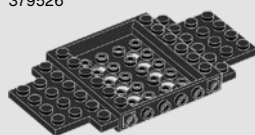
8x  
6350415



1x  
663626



3x  
379526



1x  
6287679



6x  
6245263



4x  
6244909



1x  
6244884



1x  
6028764



3x  
6258607



2x  
6208450



1x  
6252042



8x  
6252043



11x  
6240222



7x  
4211415



9x  
4211399



12x  
4211476



4x  
6176433



2x  
4558953



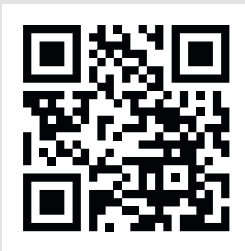
2x  
6413995



 [LEGO.com/service](https://www.LEGO.com/service)



YOU COULD  
**WIN**



Scan this QR code or go to  
**LEGO.COM/PRODUCTFEEDBACK** and give us  
your short feedback about this LEGO® set for  
a chance to win a cool LEGO prize.

Terms and Conditions apply\*

**DE: Du könntest GEWINNEN.** Es gelten die Teilnahmebedingungen\* **FR: Tu pourrais GAGNER.** Des conditions s'appliquent\* **IT: Potresti VINCERE tu.** Termini e condizioni sono applicabili\* **ES: Puedes GANAR.** Aplican términos y condiciones\* **PT: Poderá GANHAR.** Aplicam-se termos e condições\* **JA: プレゼント付き! 利用規約が適用されます\*** **ZH: 轻松获奖. 条款和条件适用\*** **KO: 상품의 주인이 되어보세요. 소정의 약관이 적용됩니다\*** **RU: Вы можете ВЫИГРАТЬ.** Действуют положения и условия\* **PL: Szansa na WYGRANĄ.** Obowiązują warunki korzystania\* **CS: Máte šanci VYHRÁT.** Platí všeobecné smluvní podmínky\* **SK: Máte šancu VYHRAŤ.** Platia všeobecné zmluvné podmienky\* **HU: TE IS NYERHETSZ.** Felhasználási feltételek érvényesek\* **RO: Ai putea CÂȘTIGA.** Se aplică termenii și condiții\* **BG: Можете да СПЕЧЕЛИТЕ.** Има определени правила и условия\* **LV: Tu vari LAIMĒT.** Ir spēkā noteikumi un nosacījumi.\* **ET: Sul on võimalus VÕITA.** Kehtivad tingimused\* **LT: Jūs galite LAIMĖTI.** Taikomos sąlygos\*

\*[LEGO.com/productfeedback/terms](https://www.lego.com/productfeedback/terms)

LEGO and the LEGO logo are trademarks of the LEGO Group. ©2023 The LEGO Group.  
Nissan Motor Co., Ltd. trademarks, designs, copyrights and/or other intellectual property rights used under license.  
© Universal City Studios LLC. All Rights Reserved.