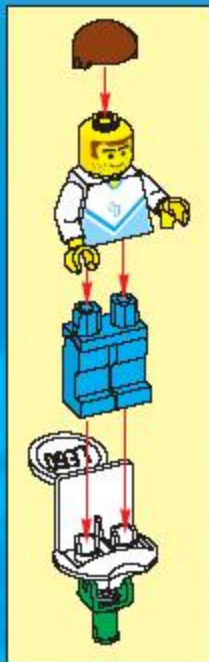


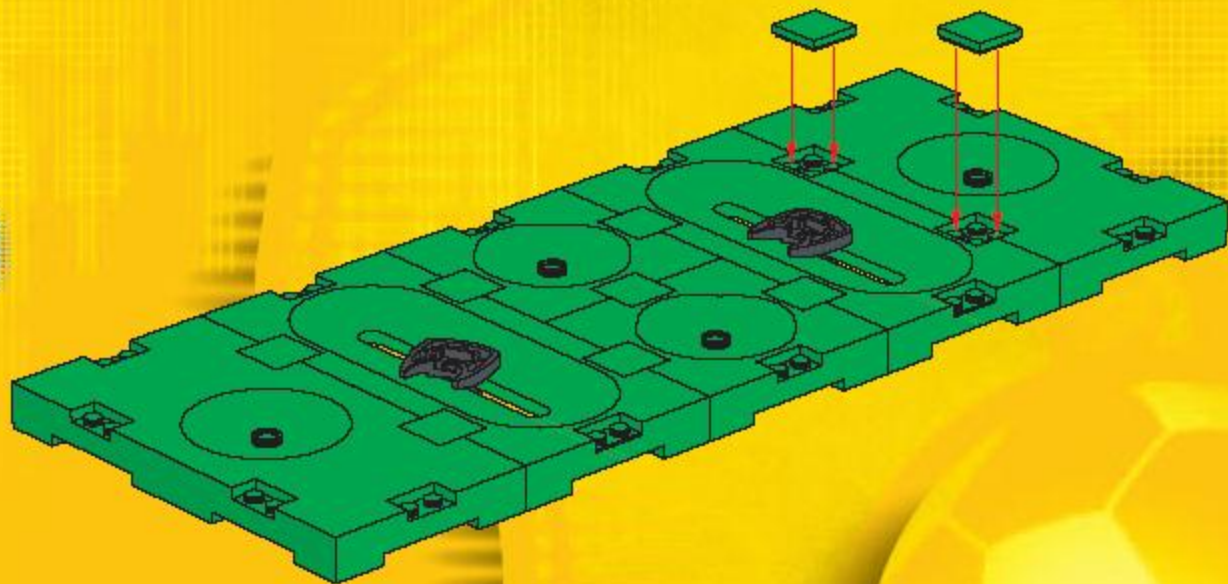
3421

LEGO

LEGO

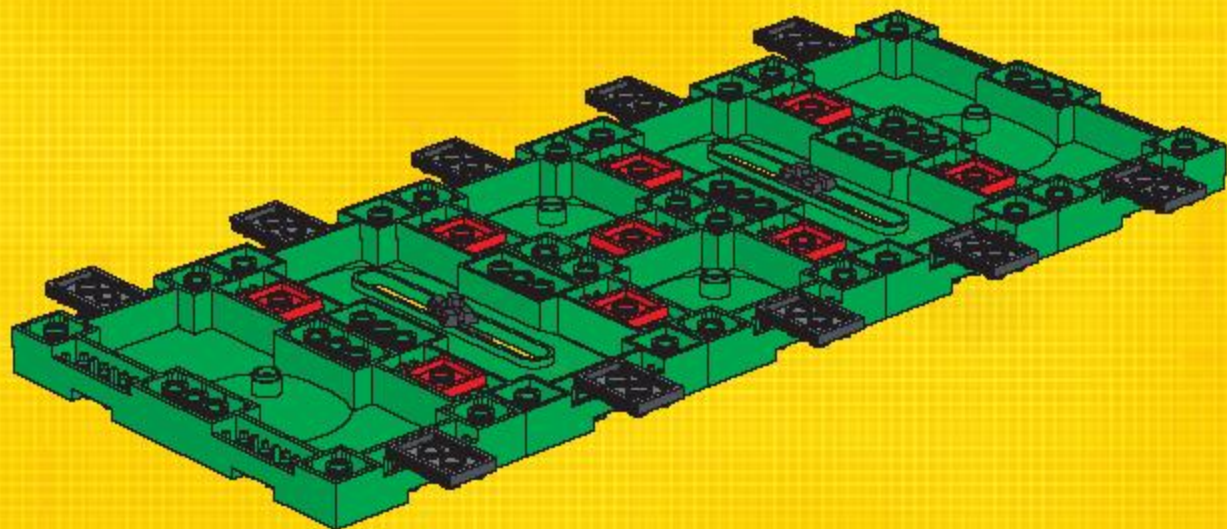








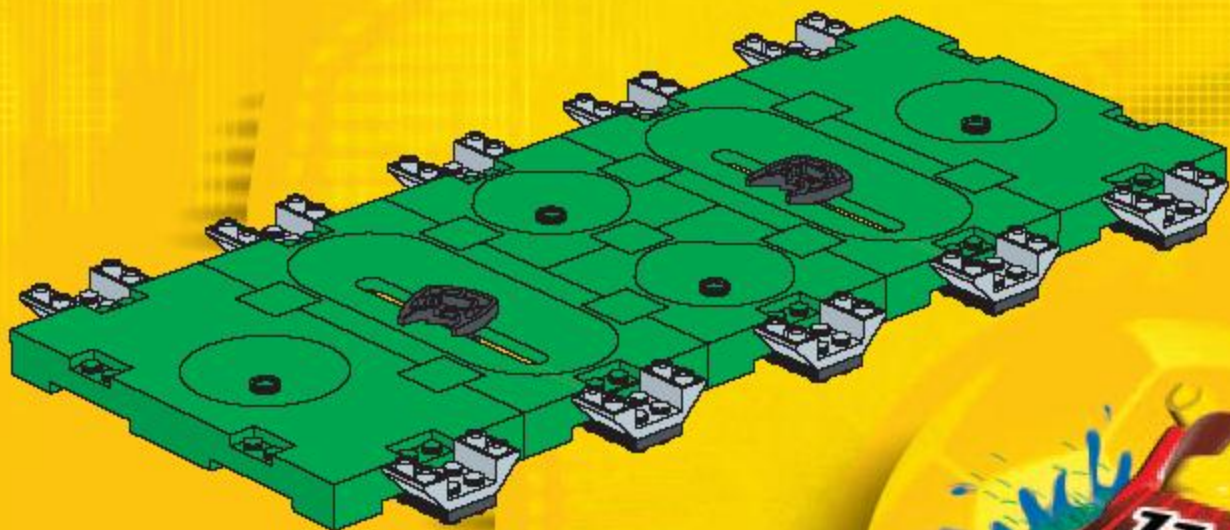
2



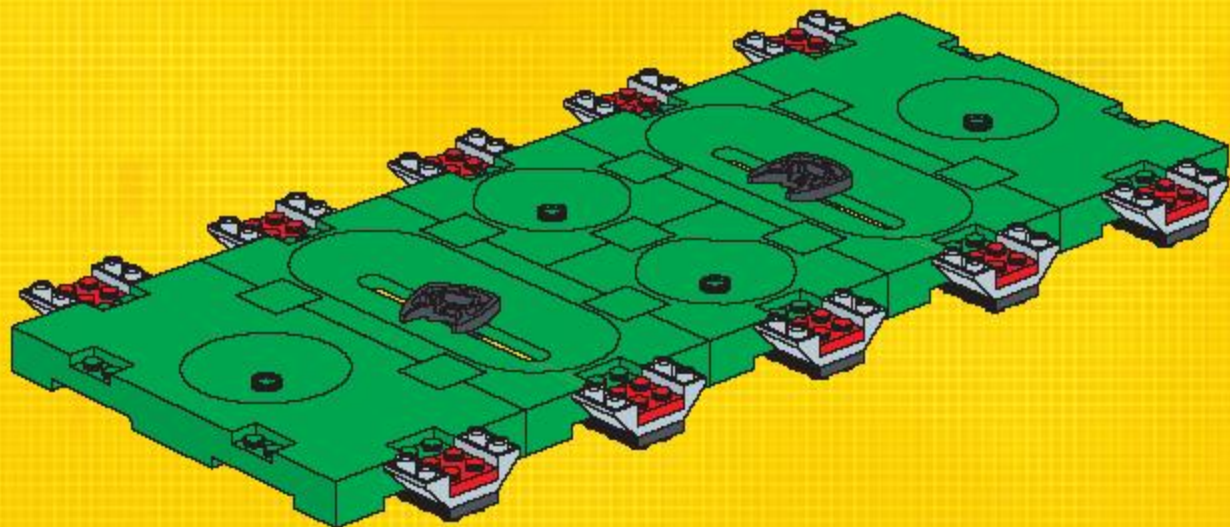
4

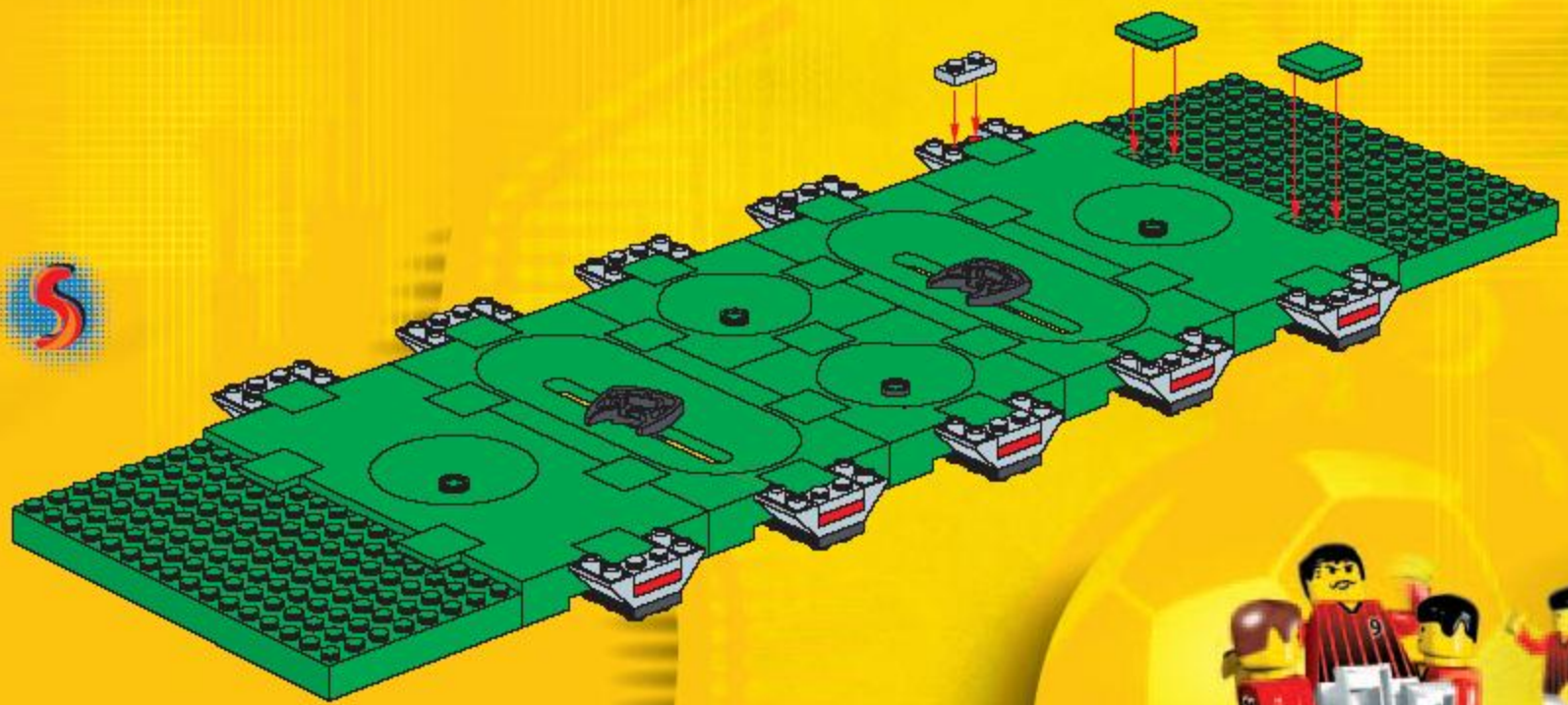


3



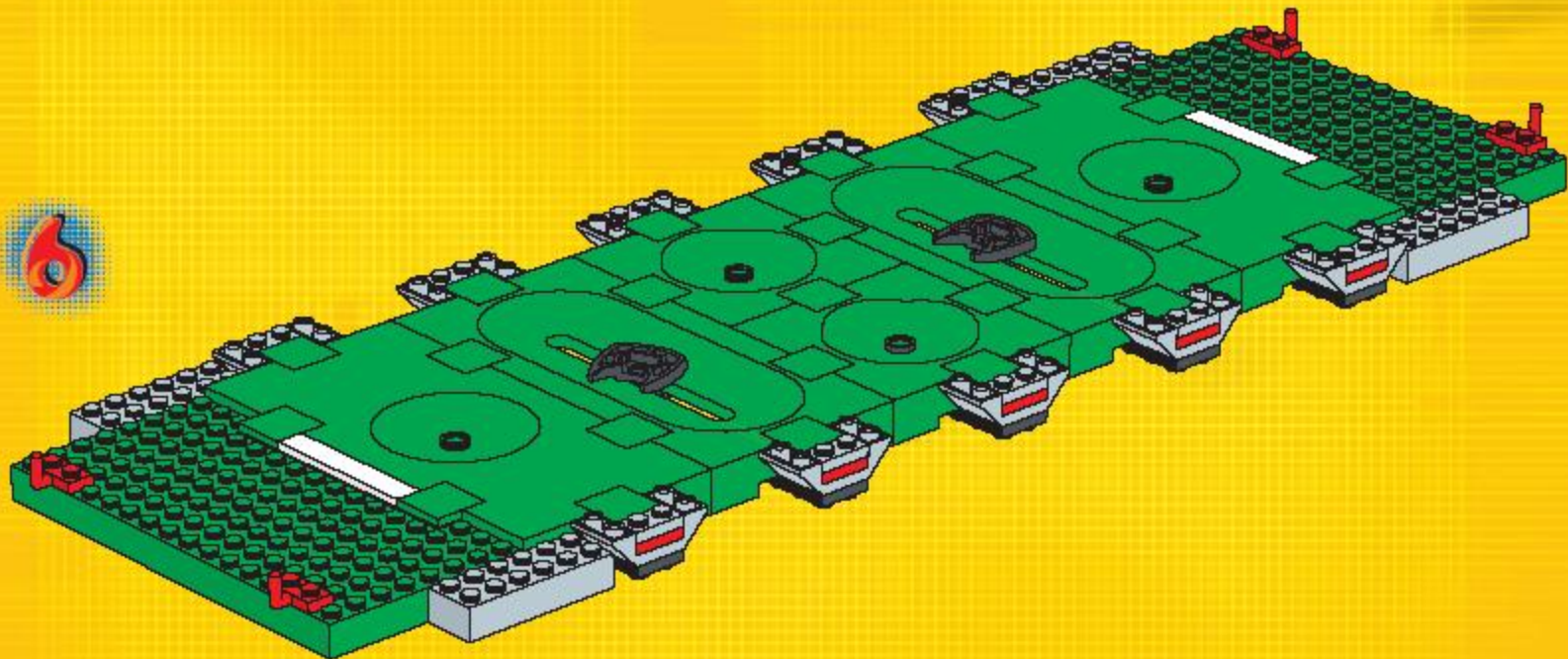
5





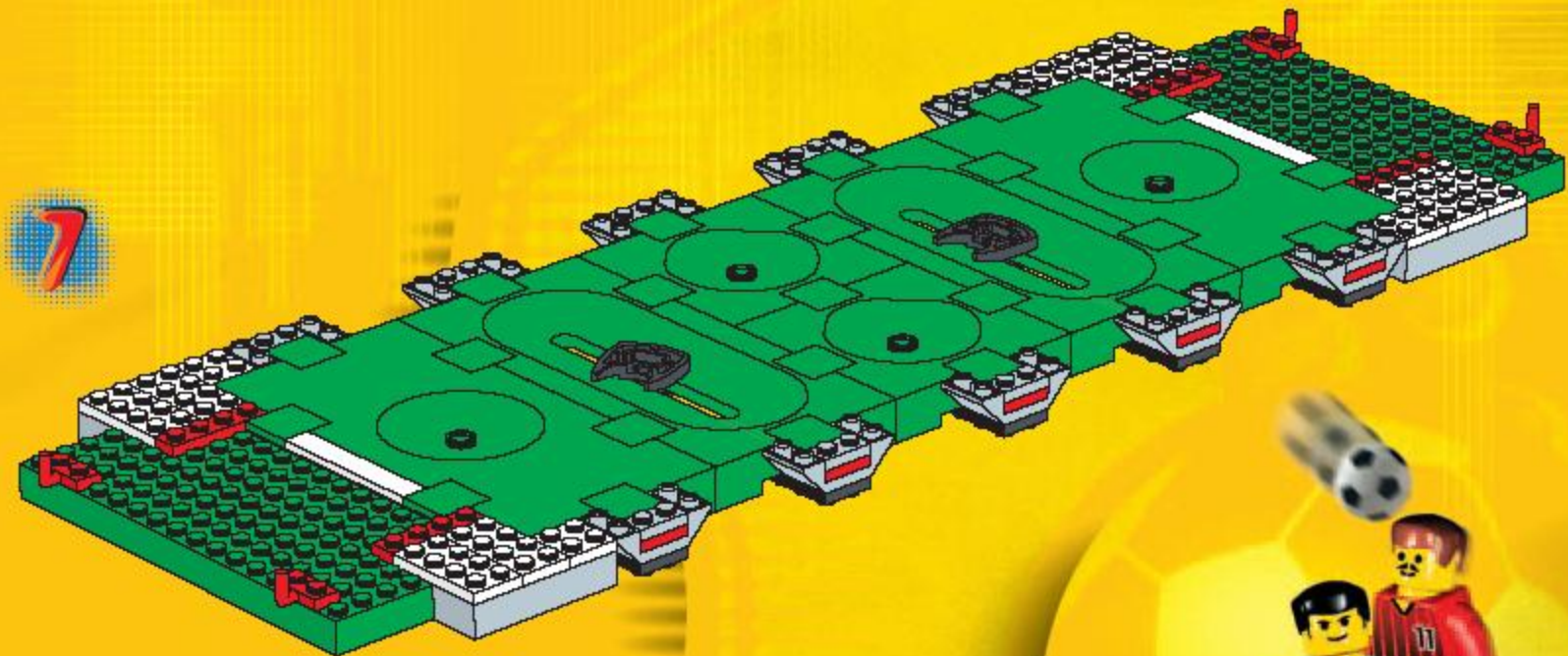


6



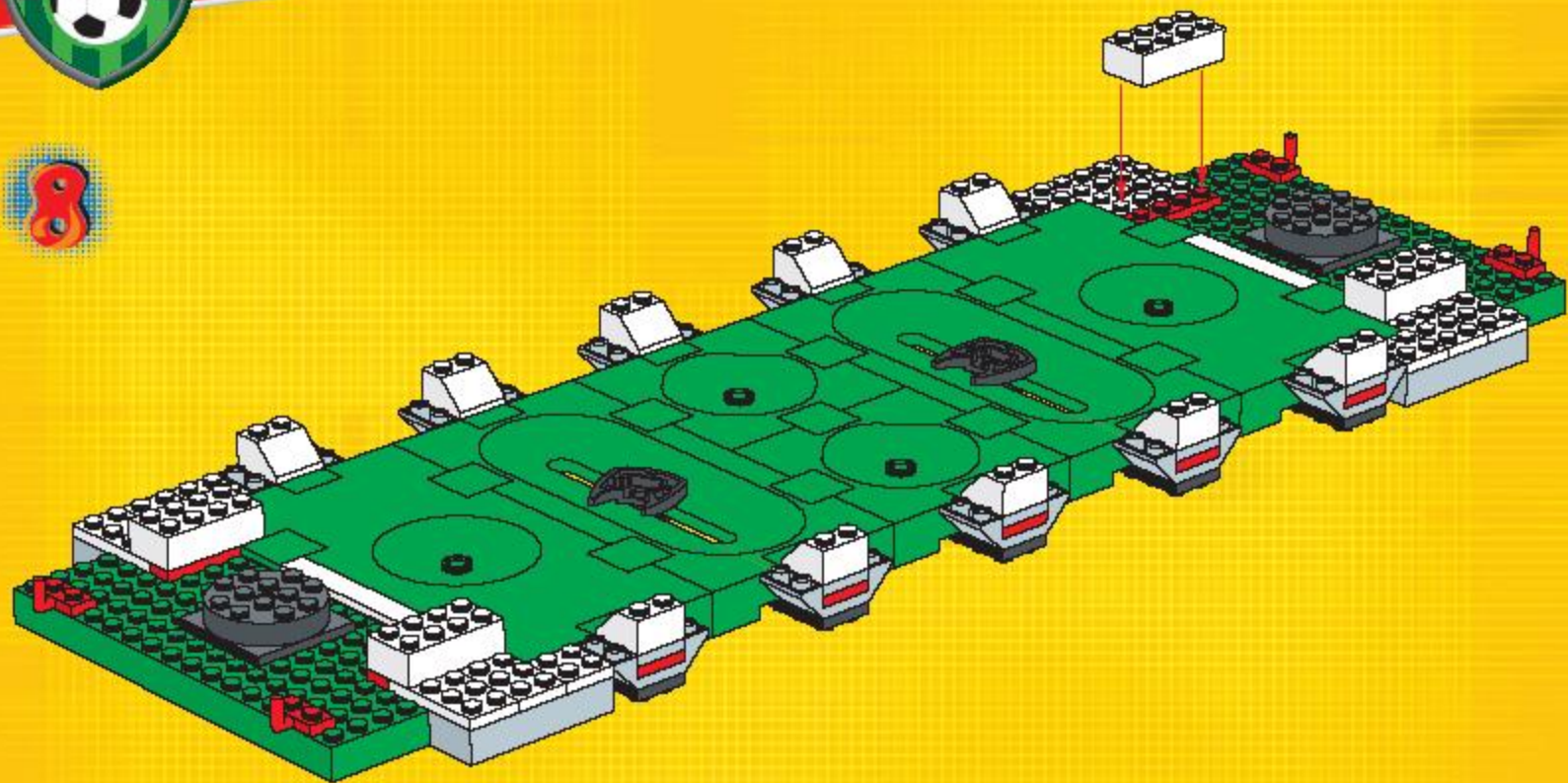
8





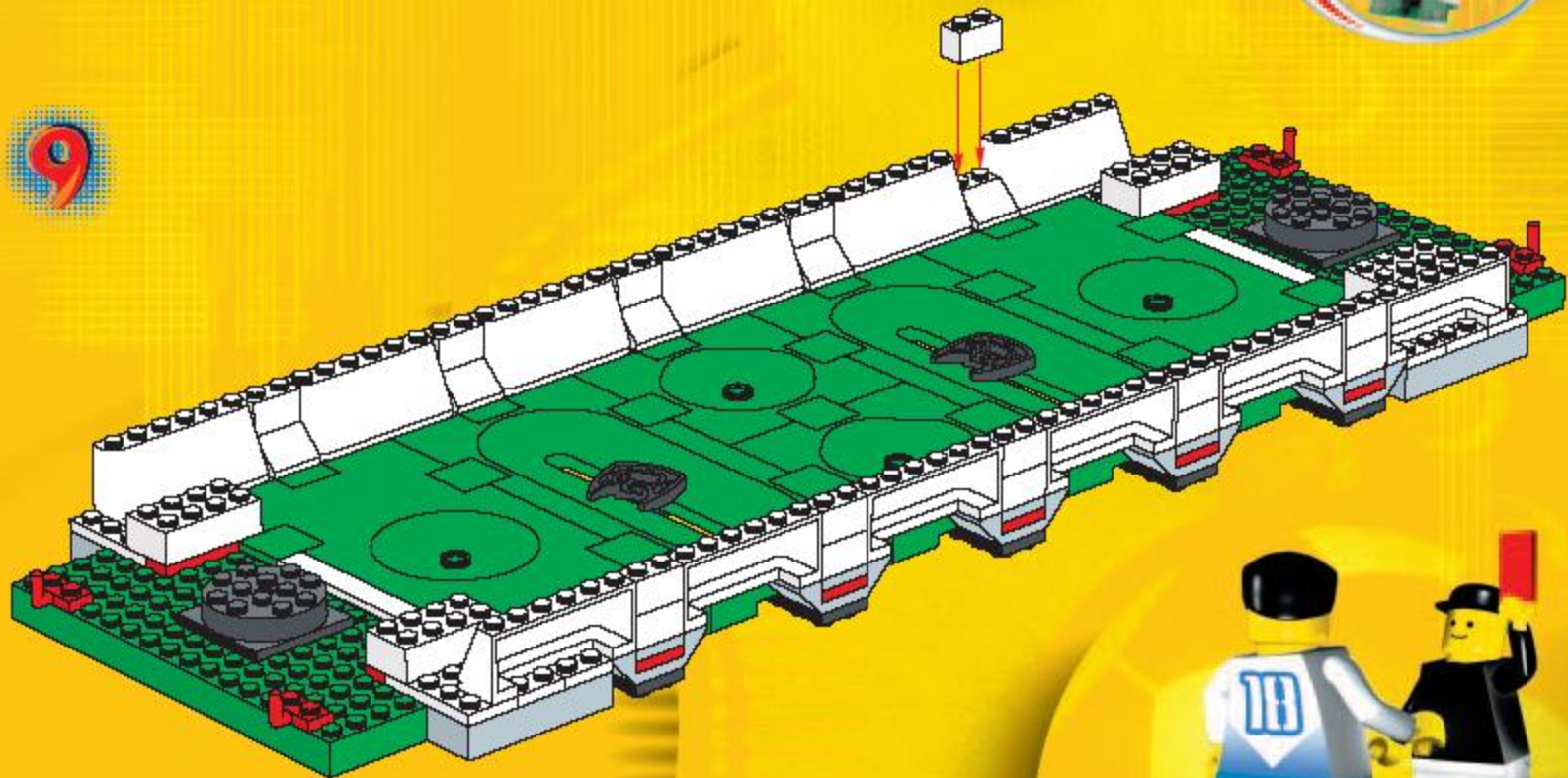


8



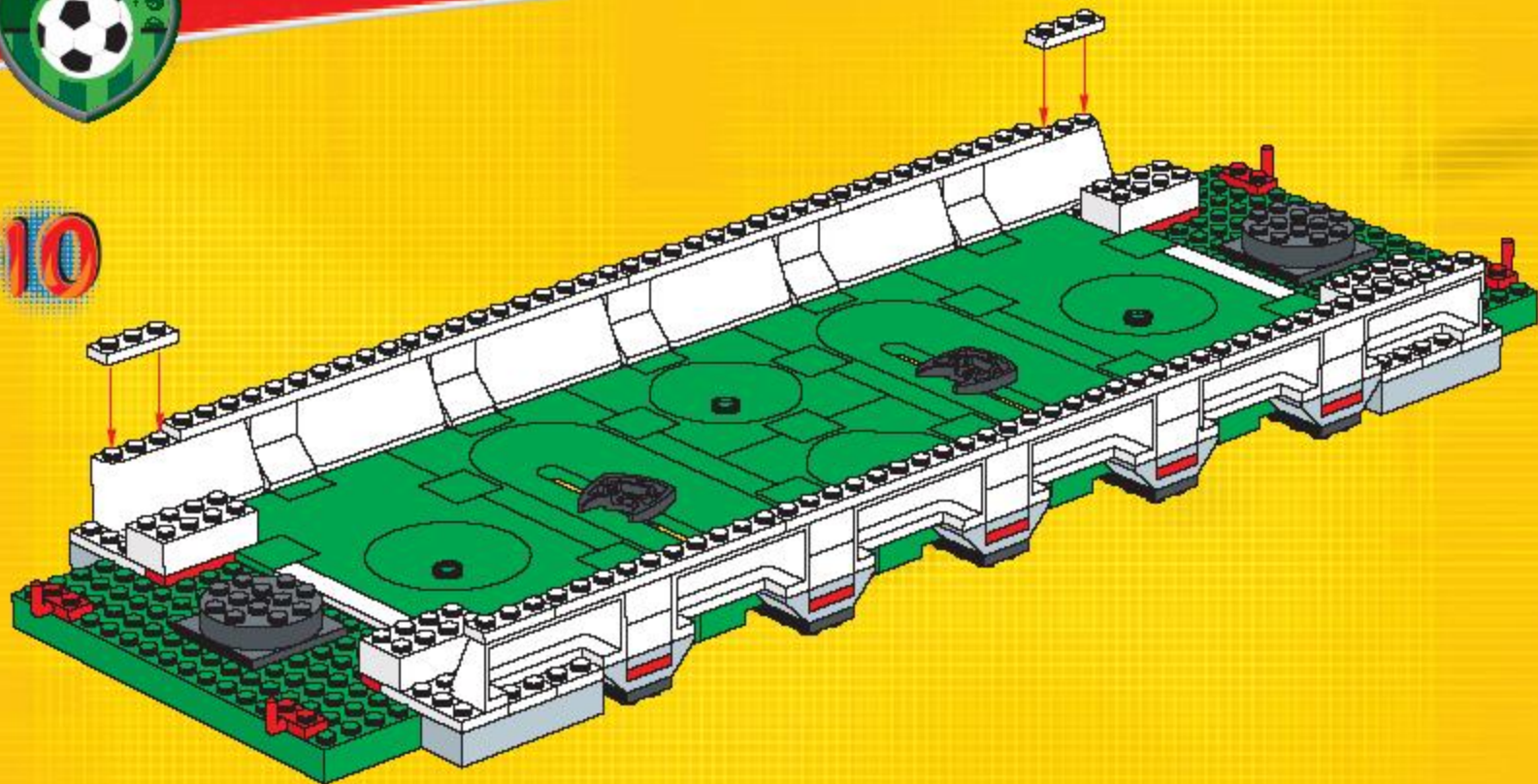
10

9






10



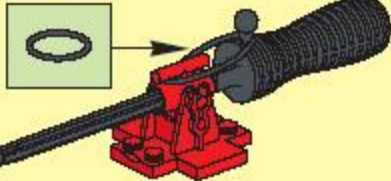
12



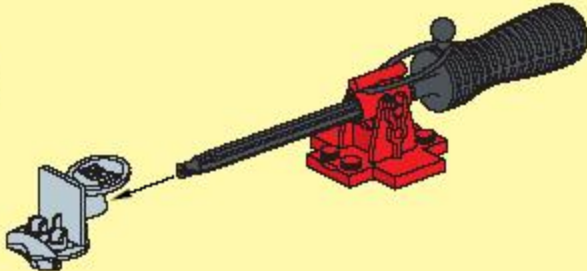
1



2



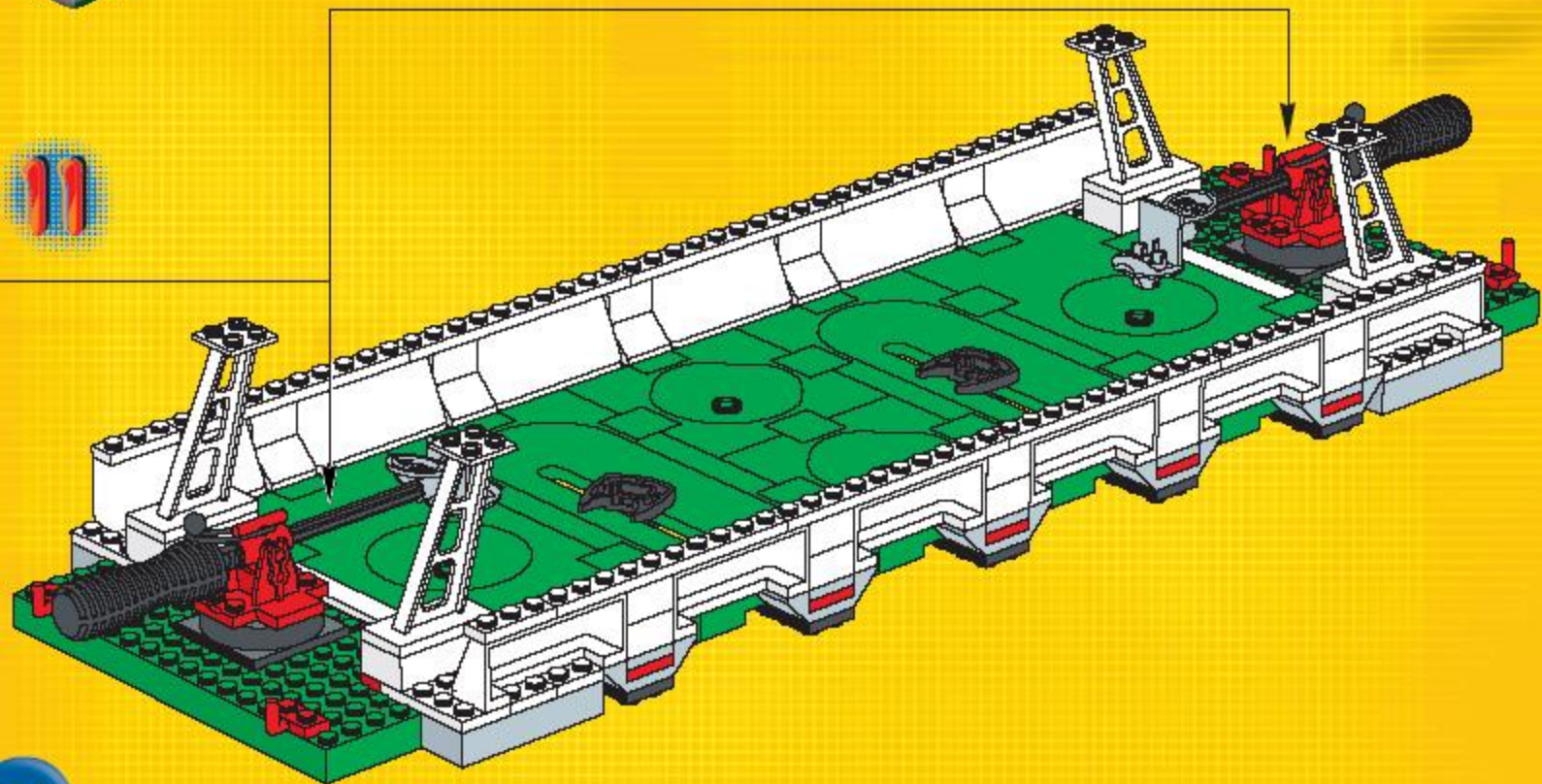
3



2x

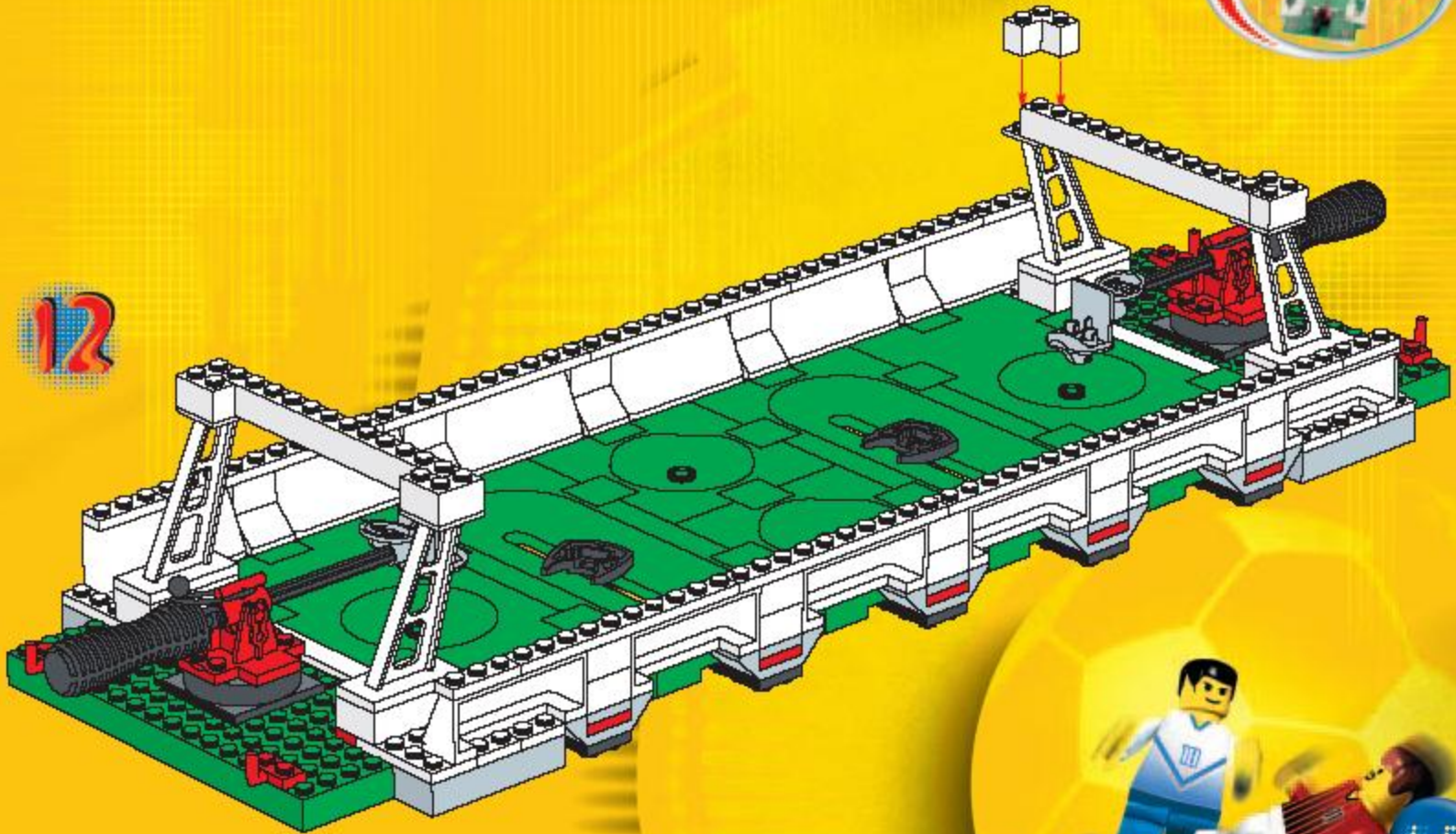
The diagram illustrates the assembly of a LEGO soccer ball launcher in three steps. Step 1 shows a red motor being placed onto a red base. Step 2 shows a grey axle being inserted into the motor housing, with a grey ring being placed on the axle. Step 3 shows the motor housing being attached to the axle, which is already inserted into the red base. The number '2x' indicates that two of these assemblies are required.



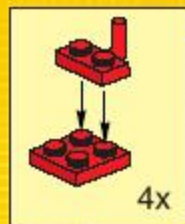




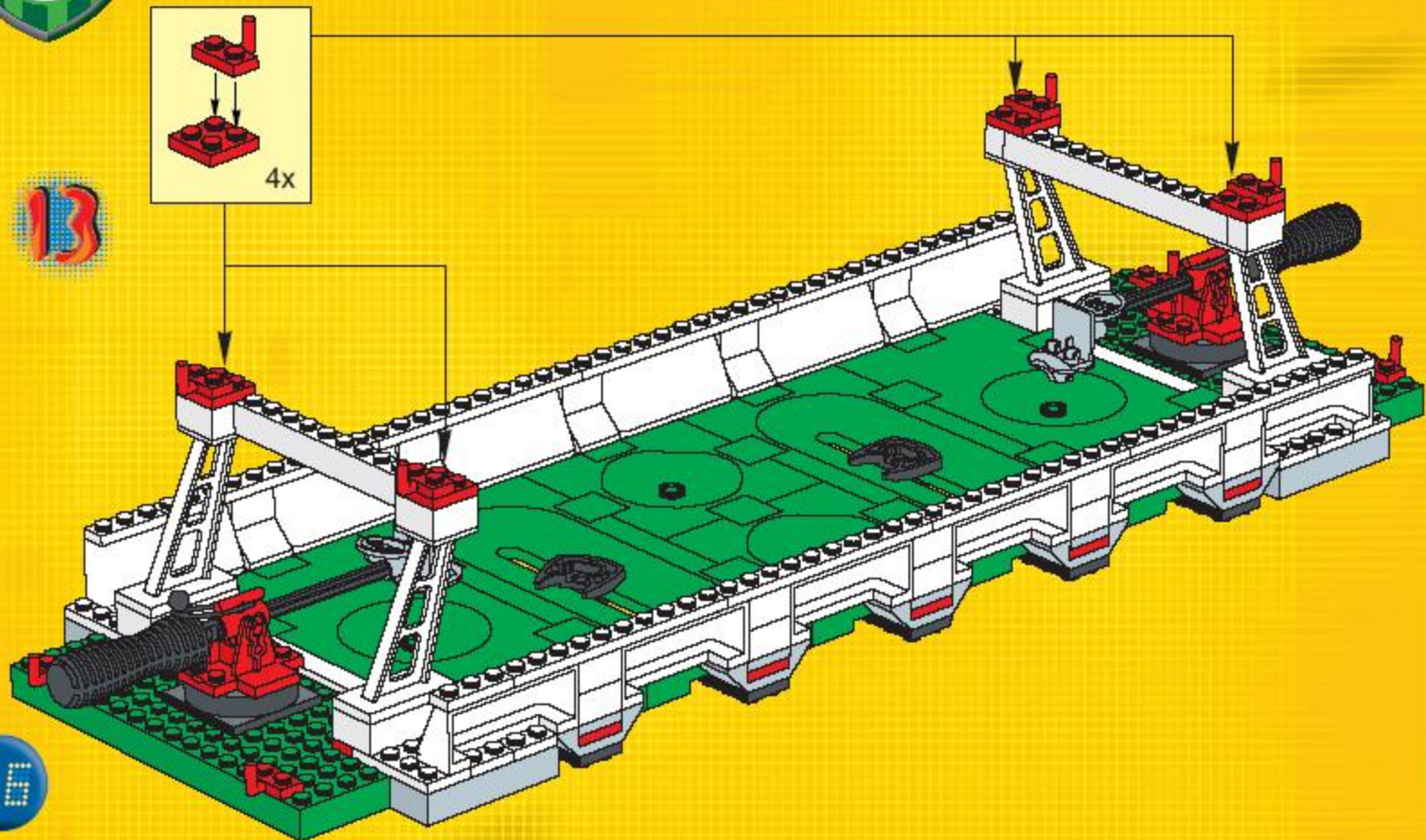
12



15



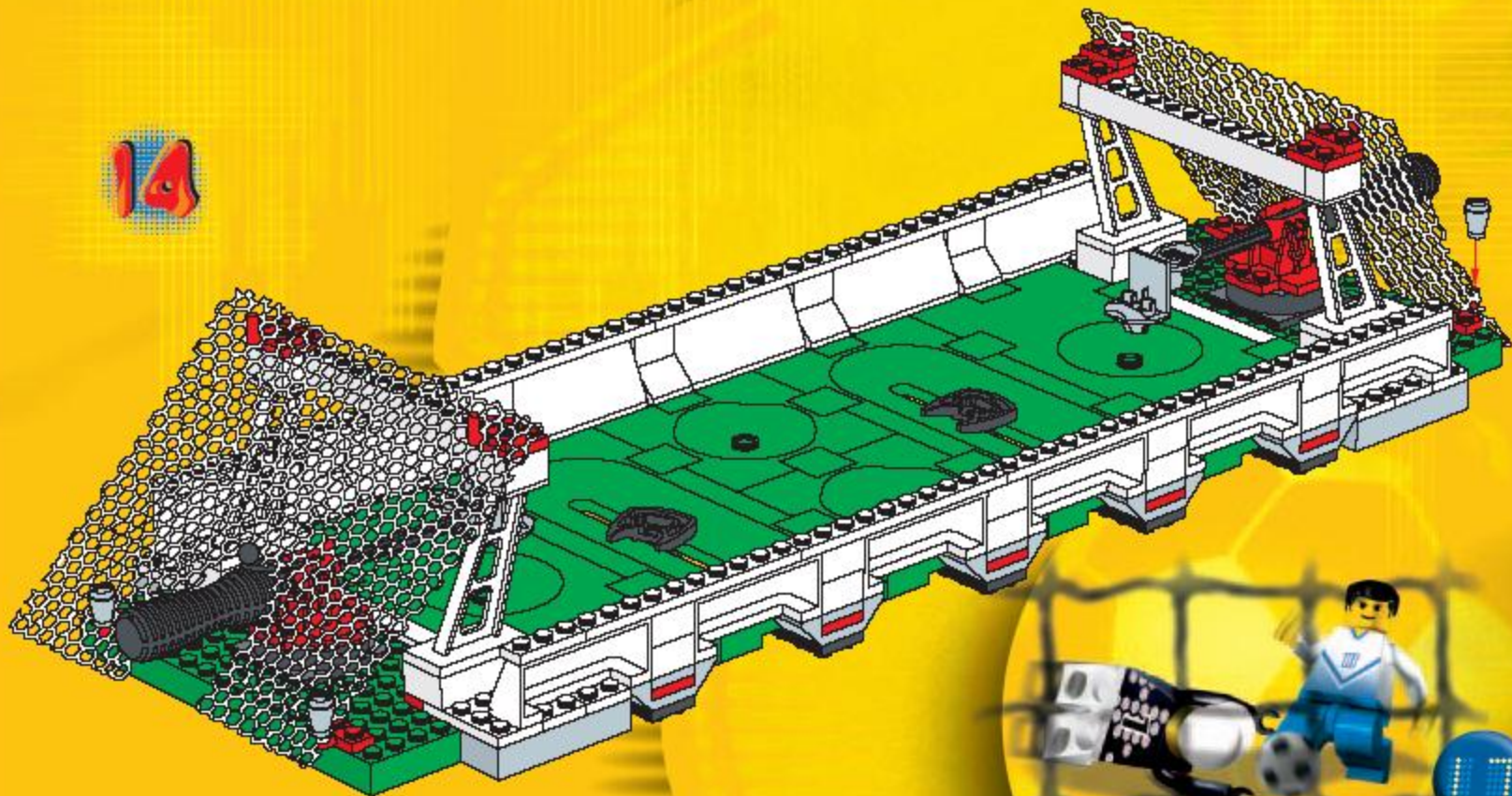
13



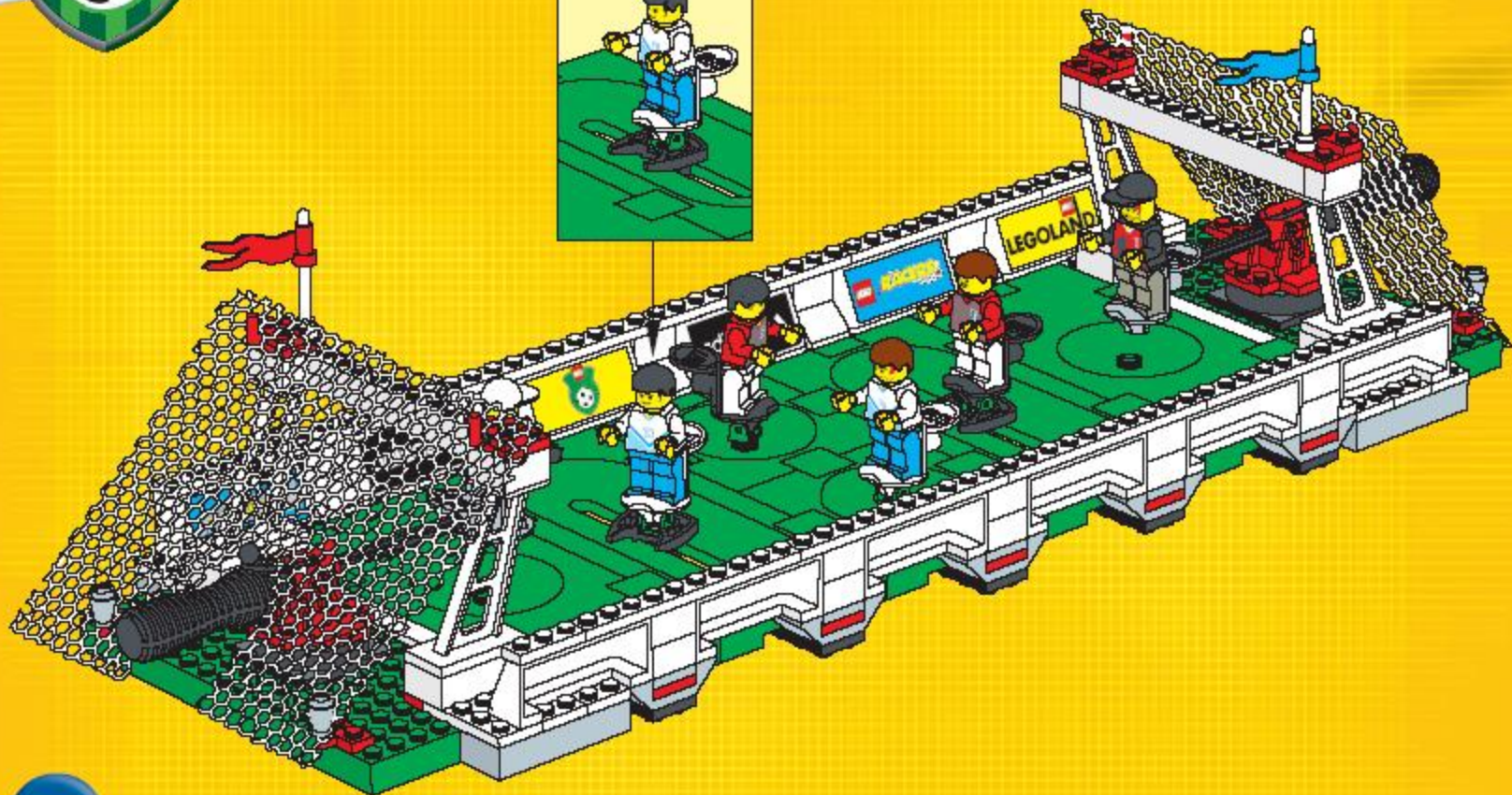
15



14



17





3423



3424



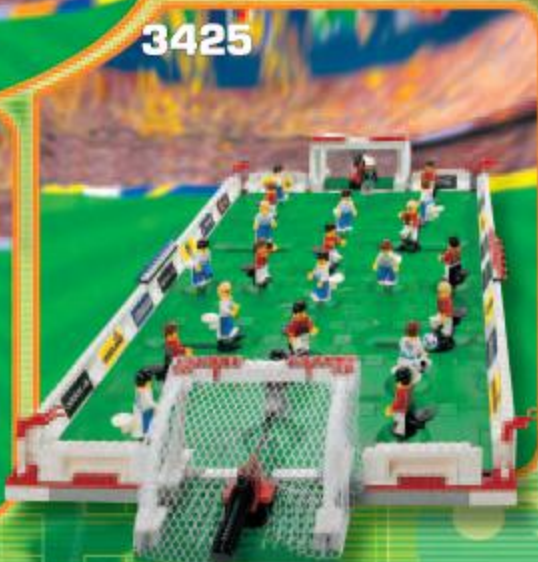
3422



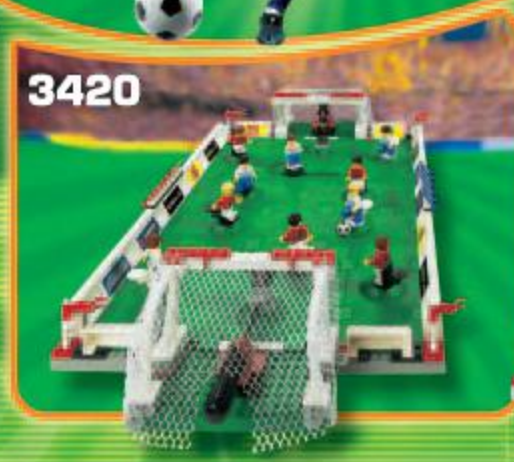
3421

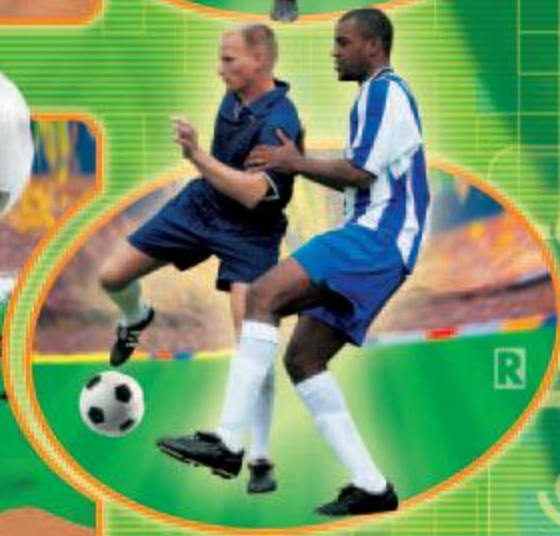
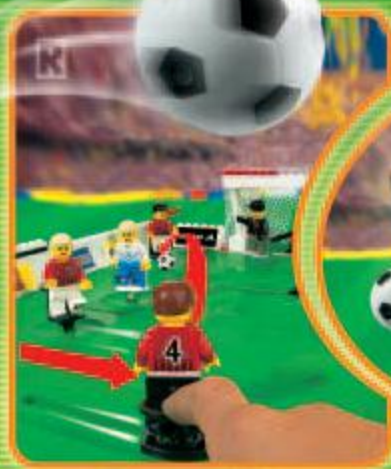
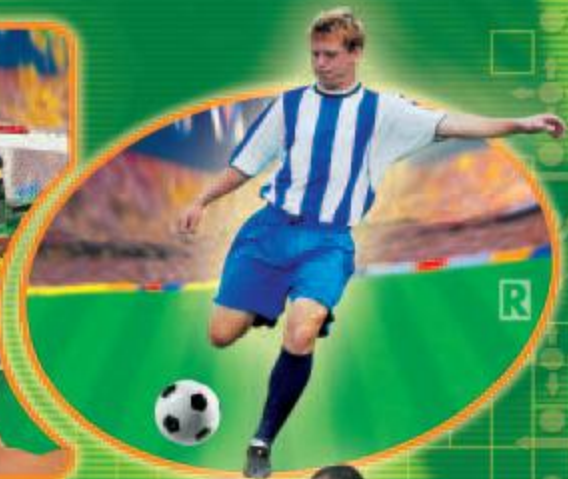


3425

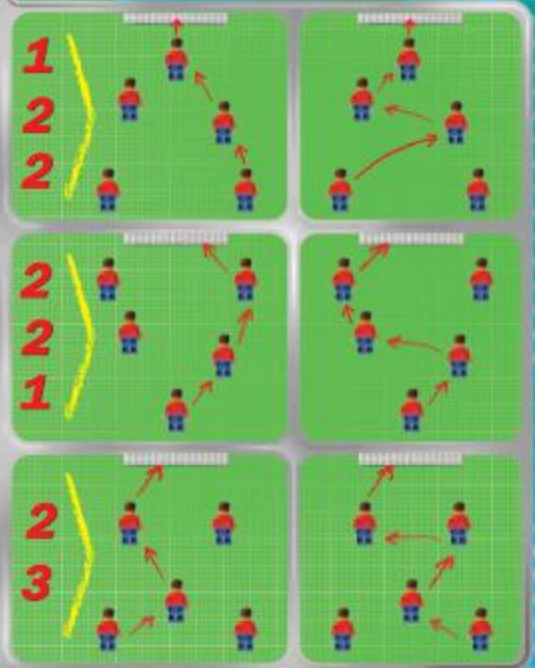
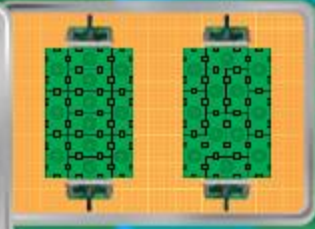
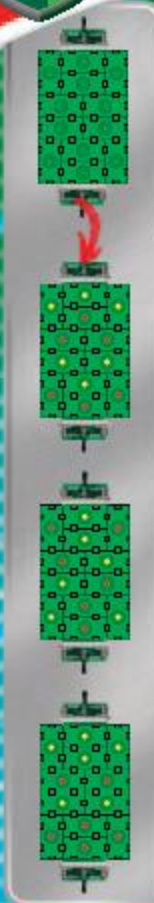


3420









LEGO CUP



DISPLAY

# FOOTBALL MANIA

GAME BOY ADVANCE



PlayStation 2

Nintendo® and Game Boy Advance™ are trademarks of Nintendo Co., Ltd.  
PlayStation and the PlayStation logo are registered trademarks of Sony Computer Entertainment Inc.  
LEGO and the LEGO logo are trademarks of The LEGO Group. © 2001 The LEGO Group



