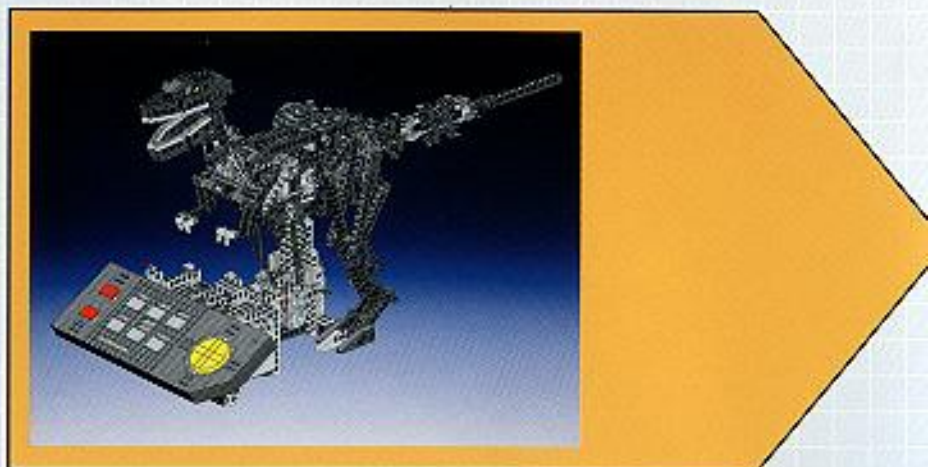
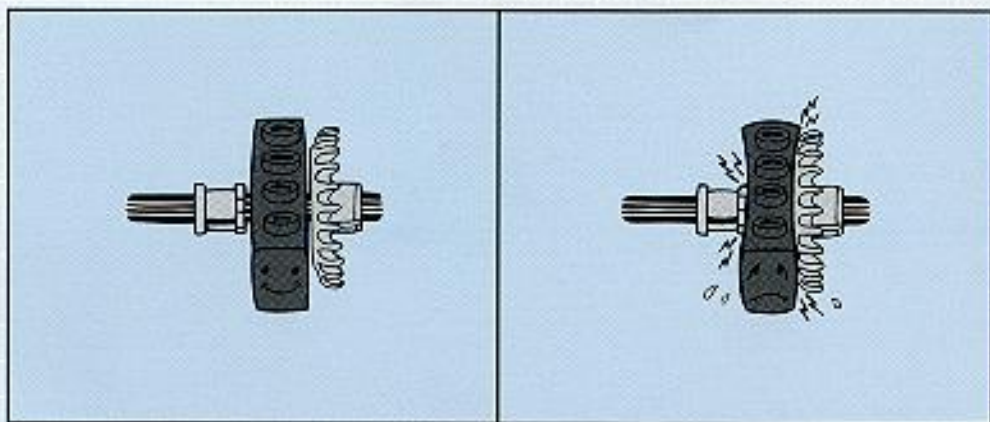
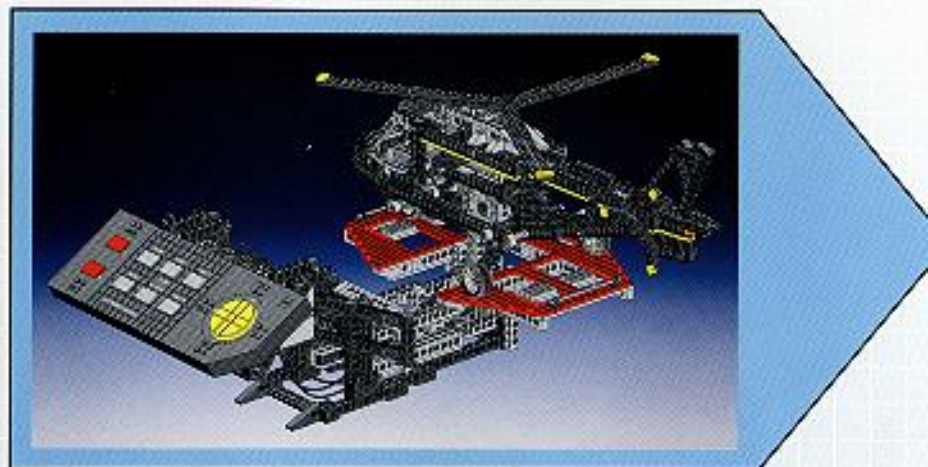
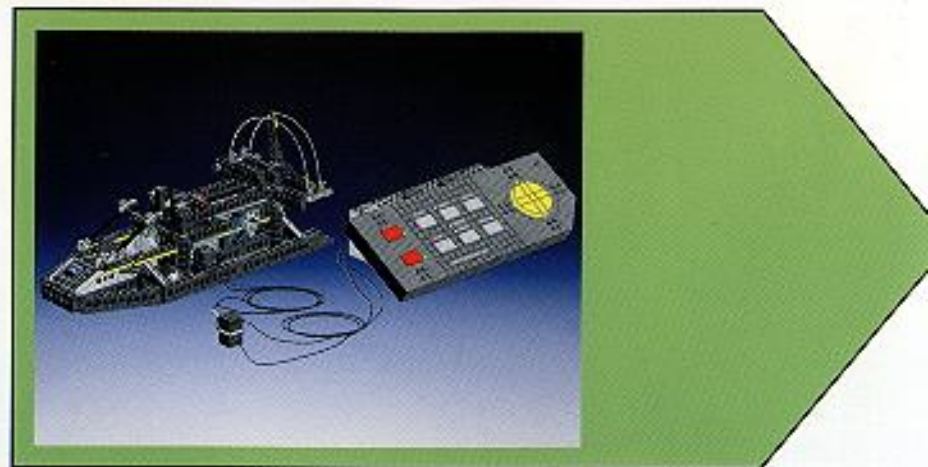
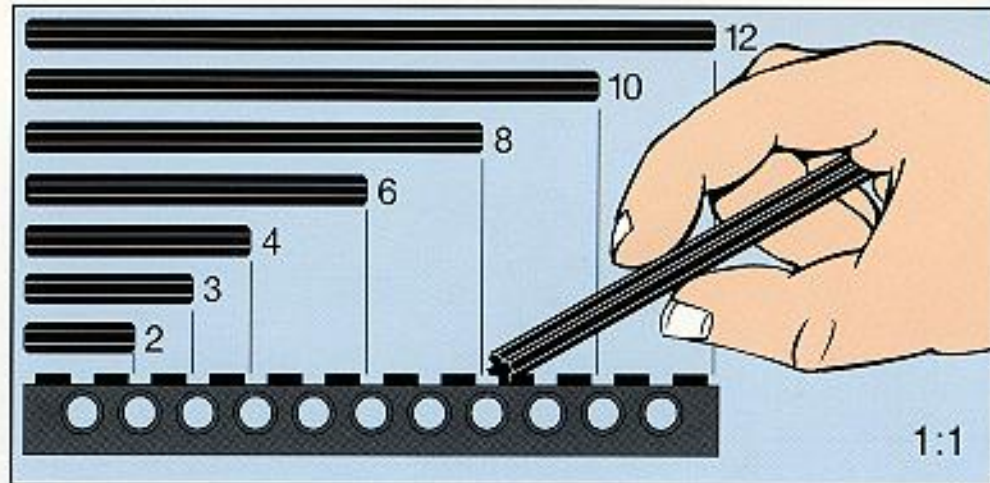


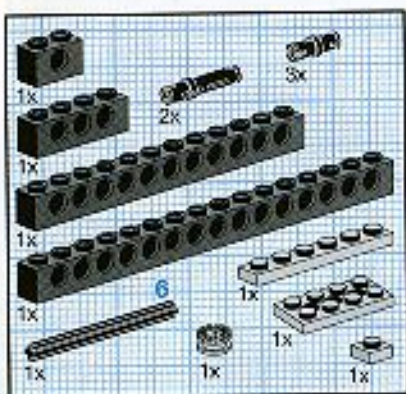


Technic

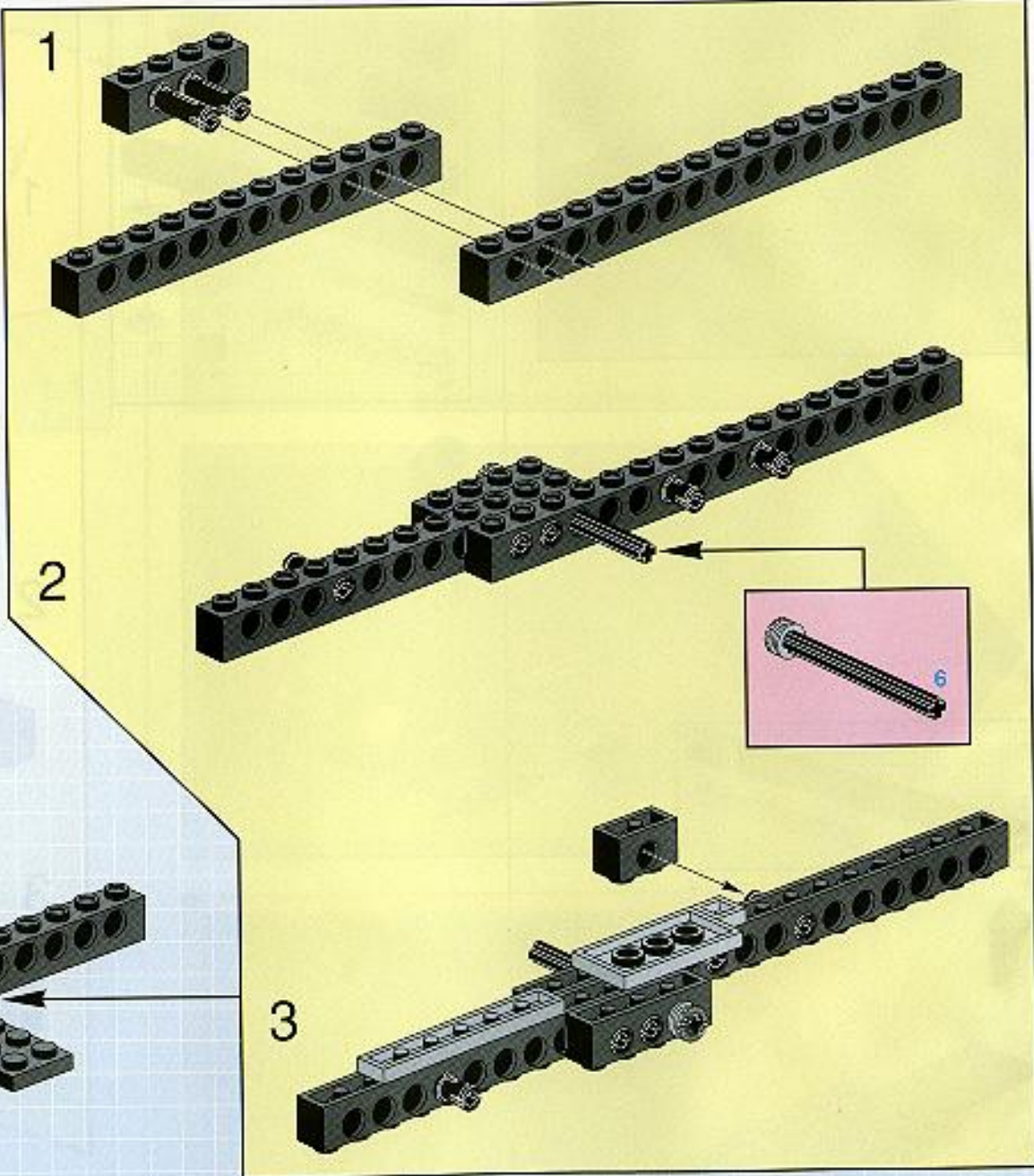
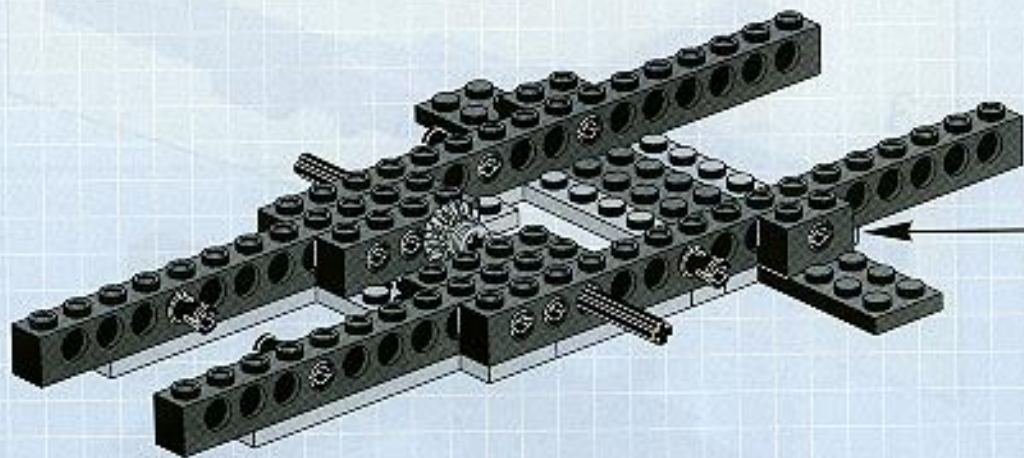
8485

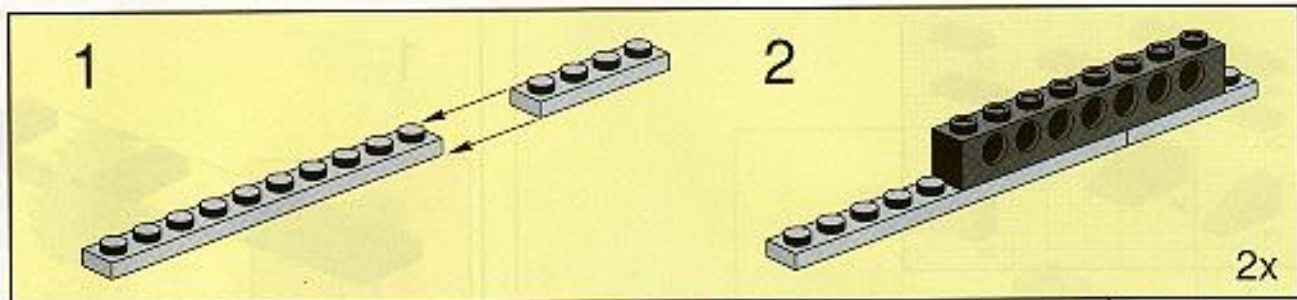
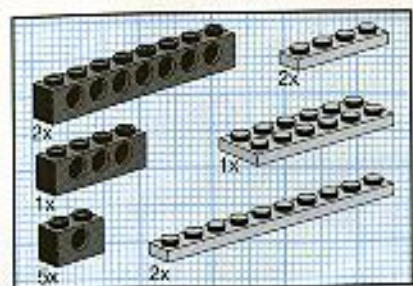




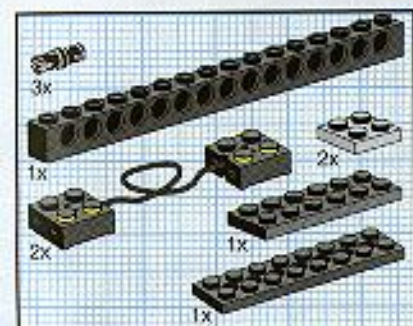
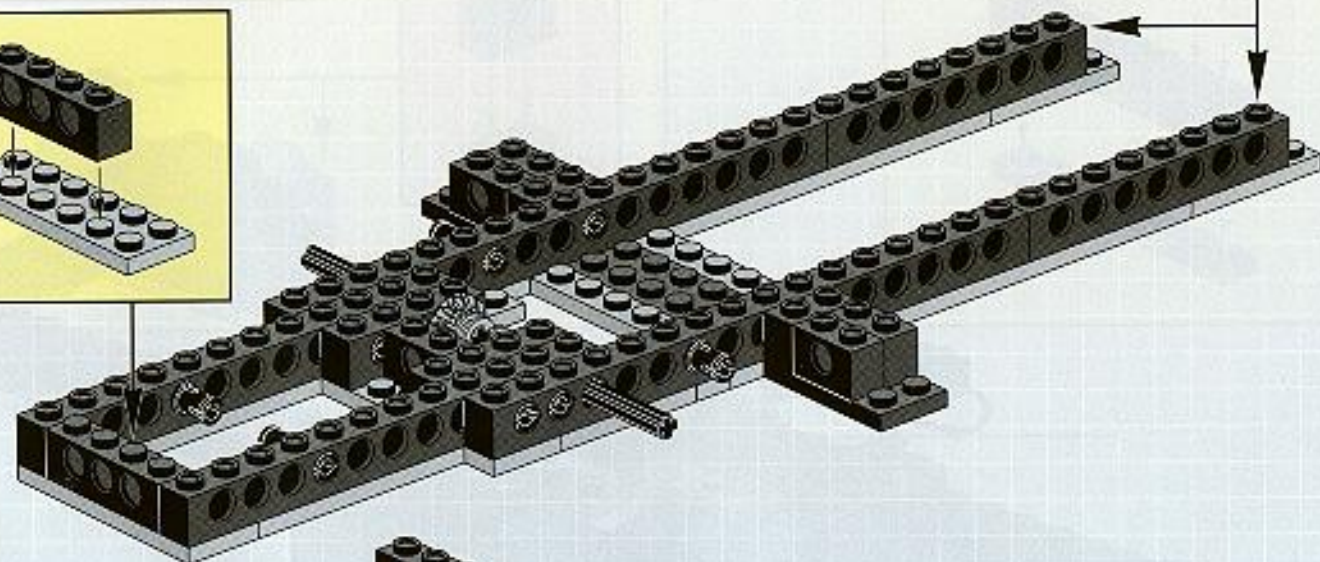
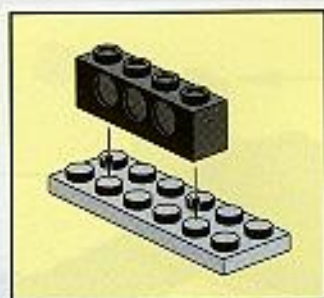


3

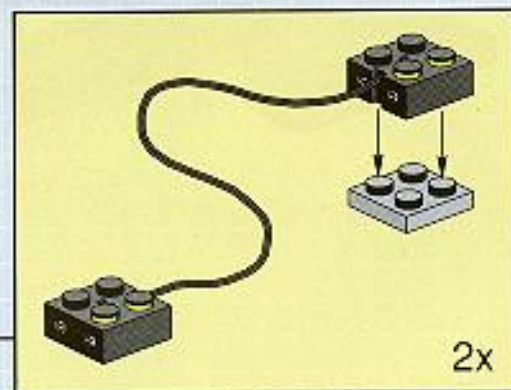
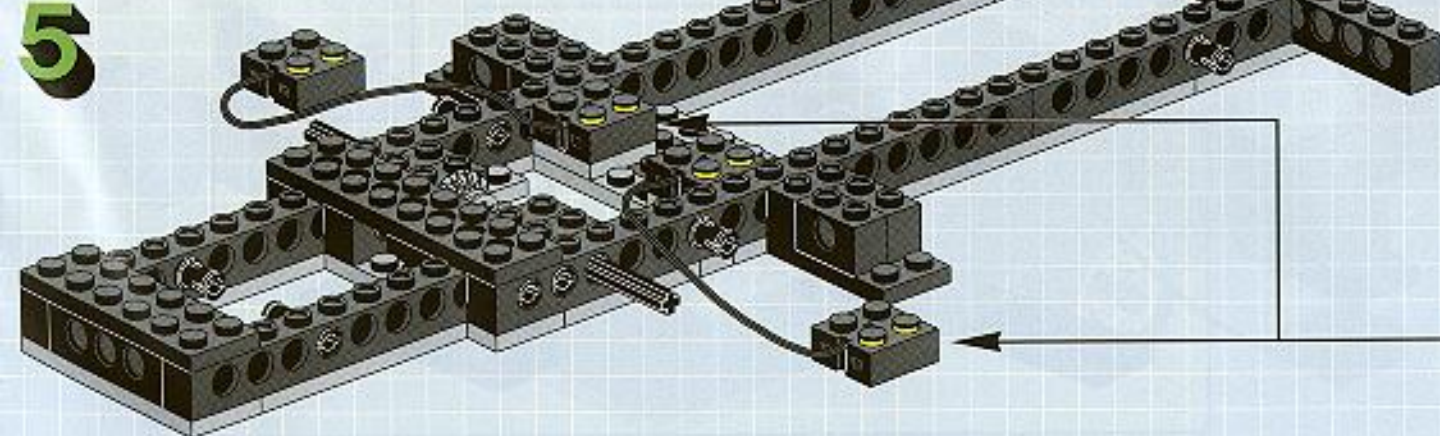


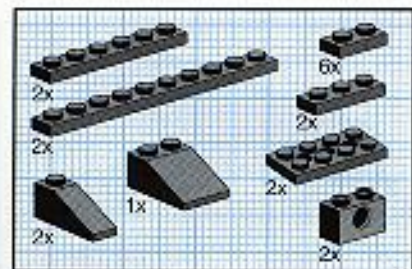


4

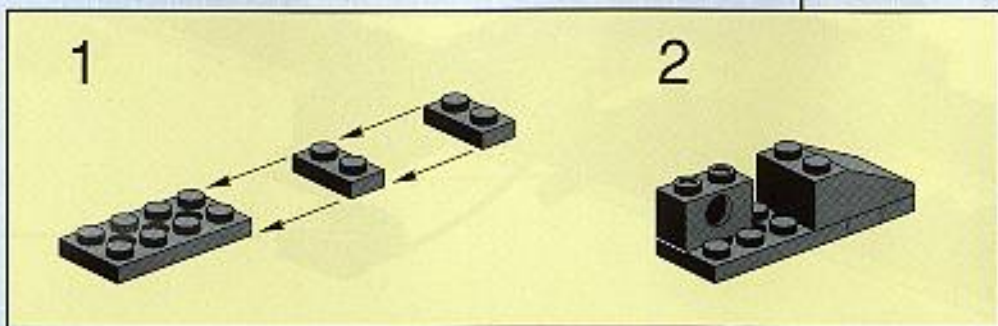
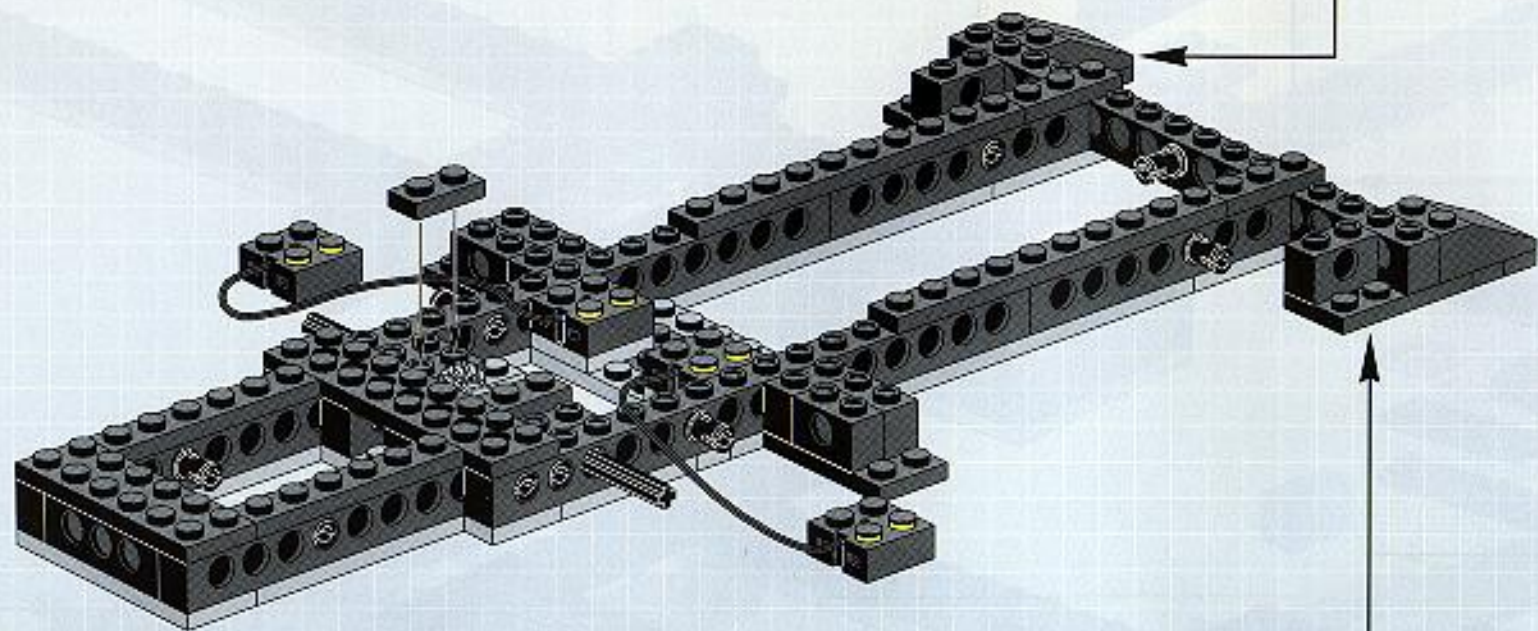
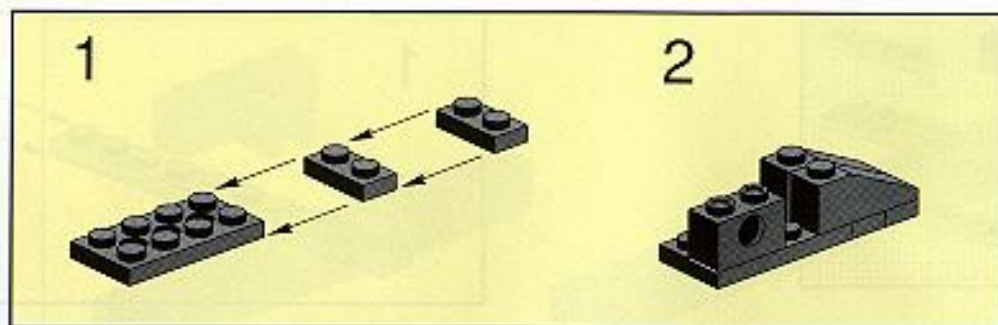


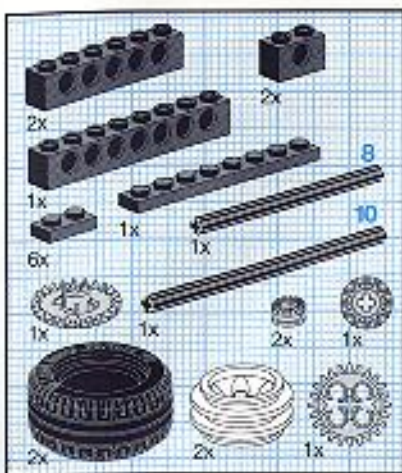
5



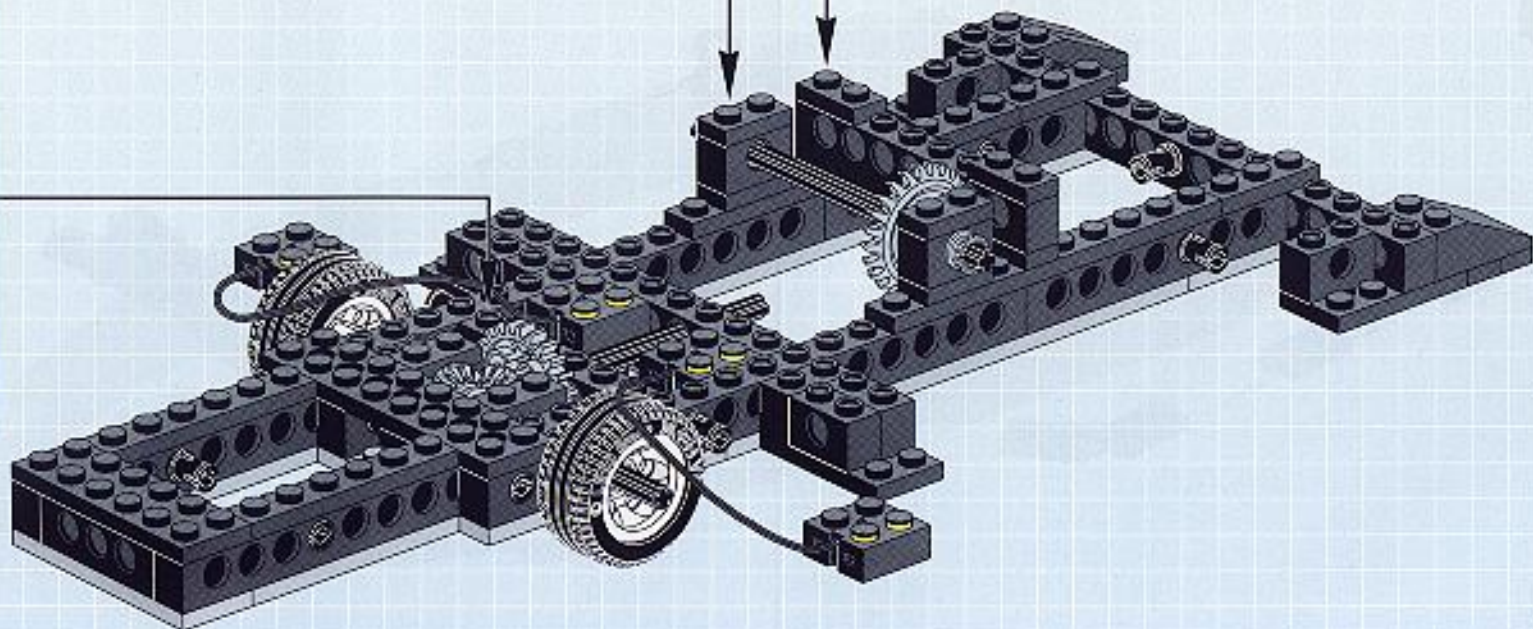
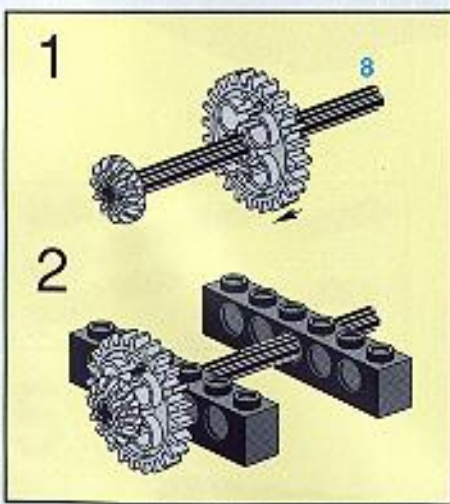
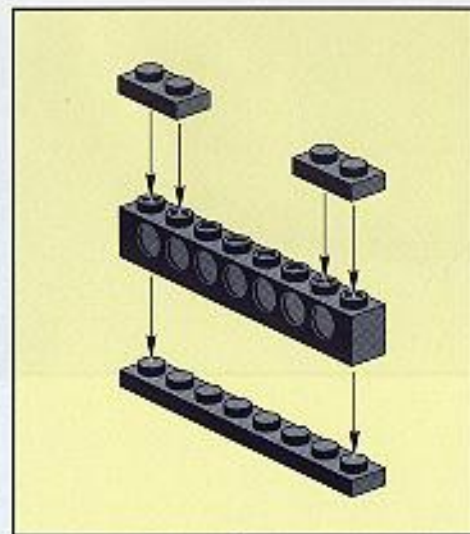
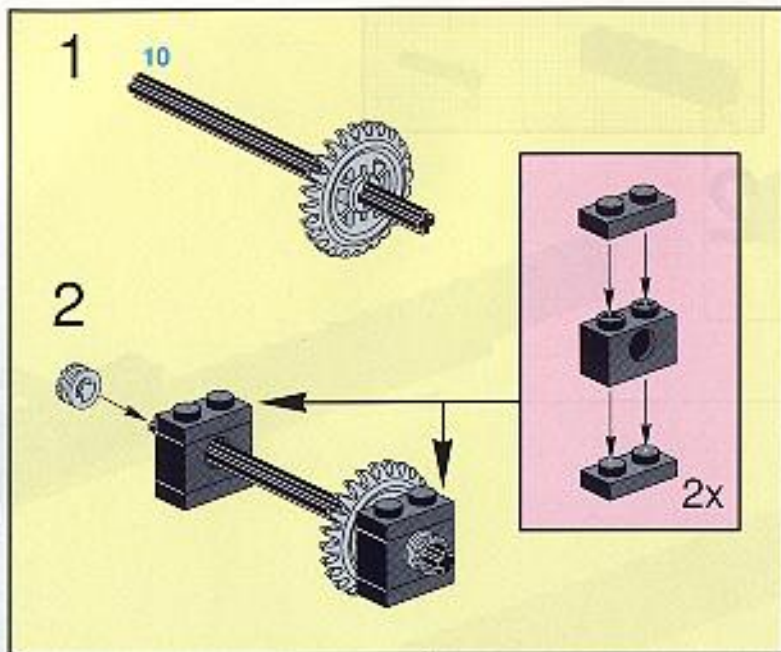


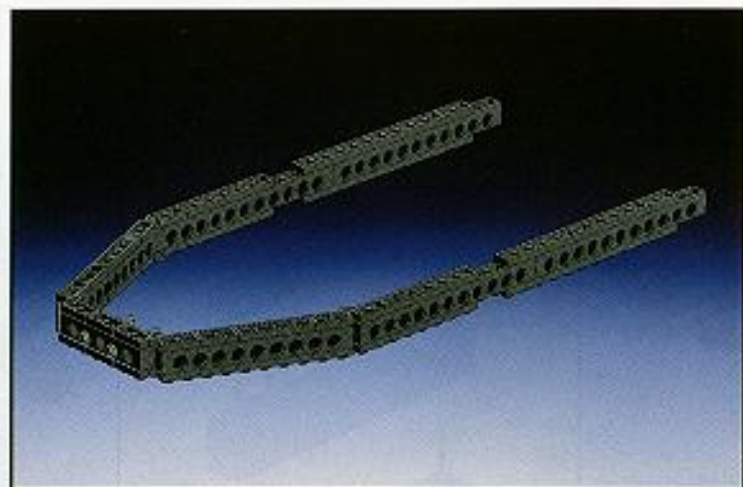
6



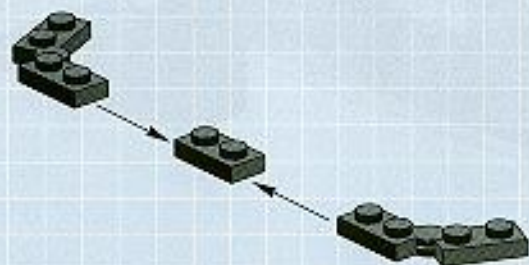


7

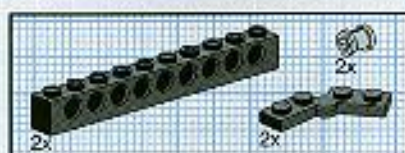




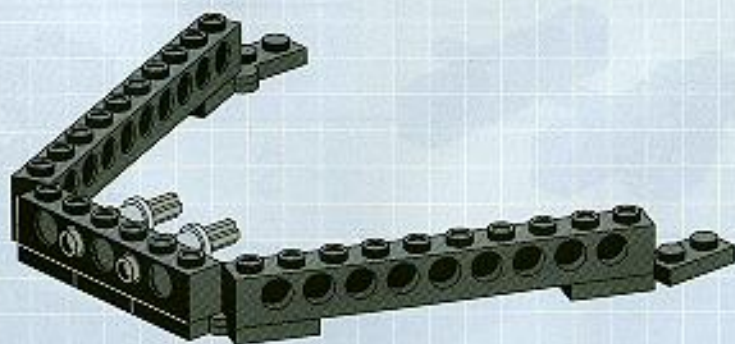
1



2

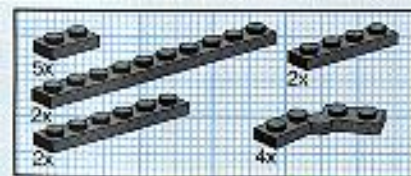
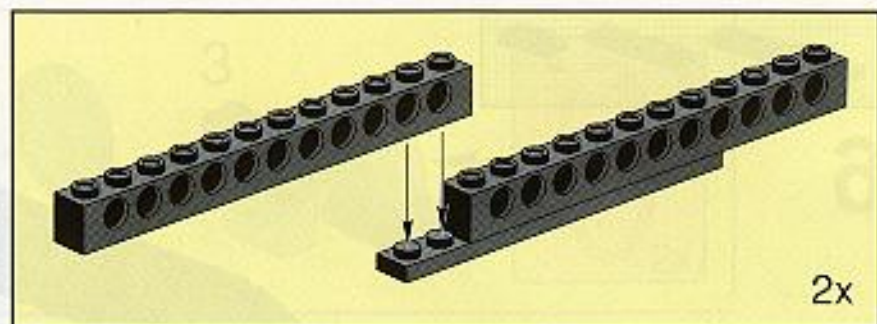
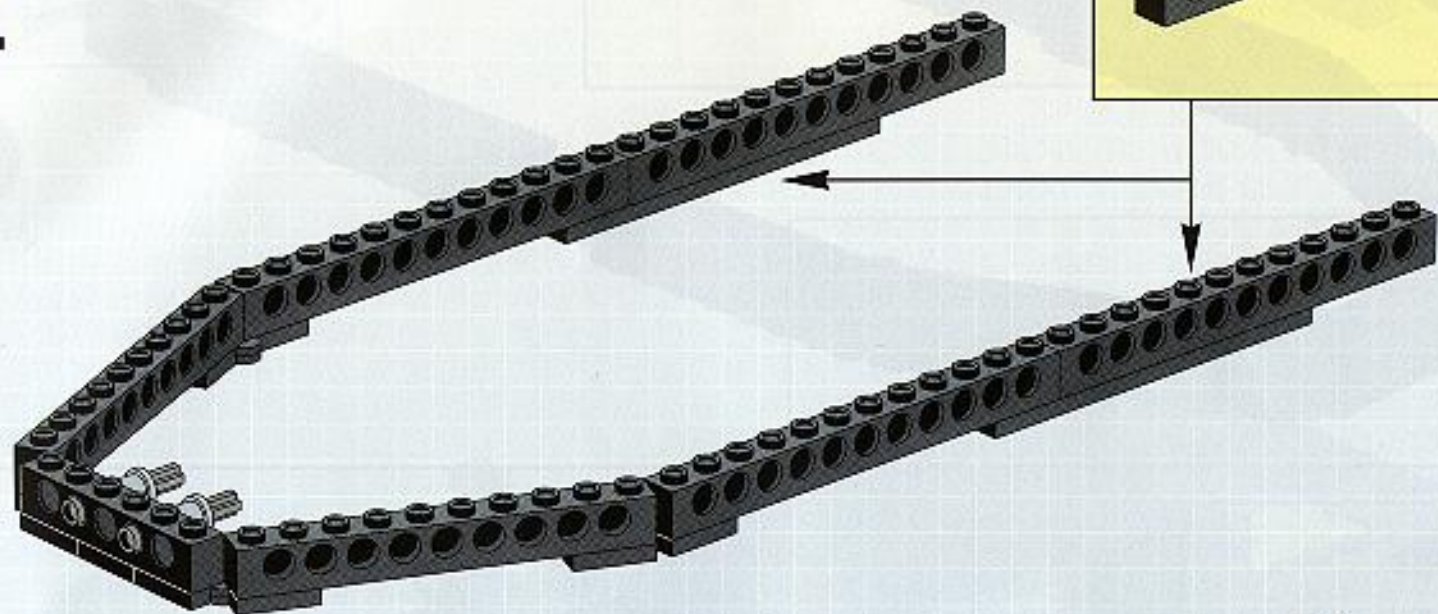


3

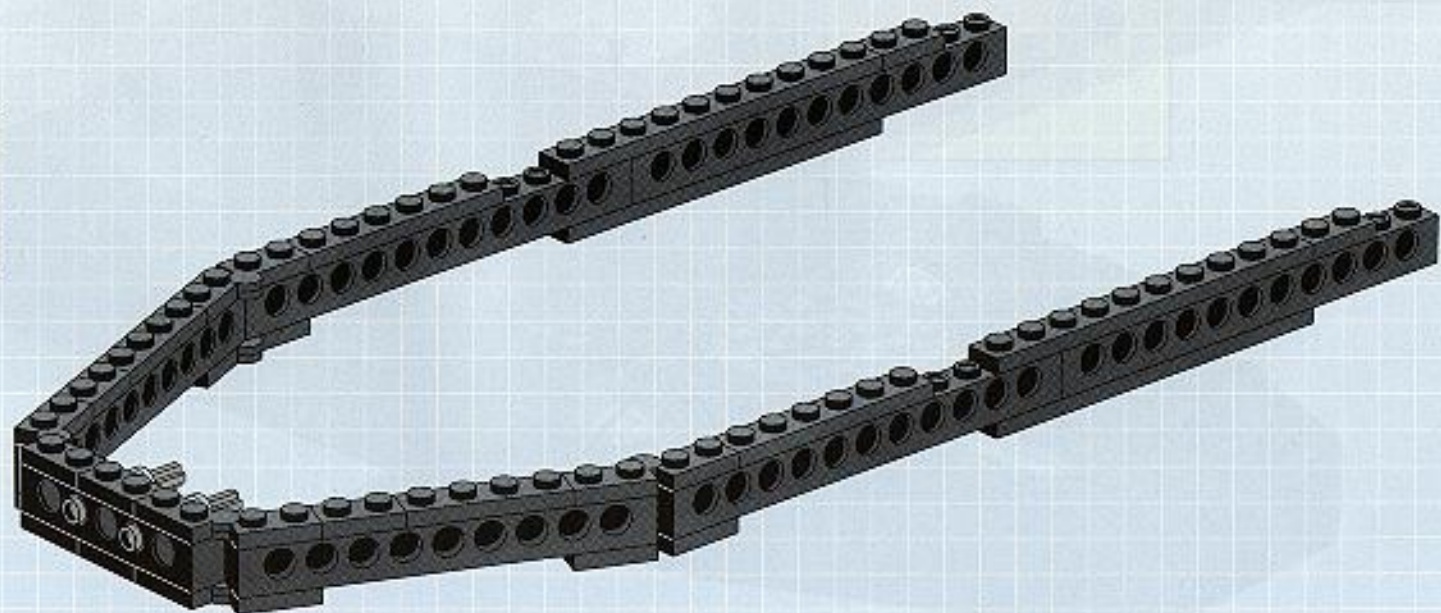


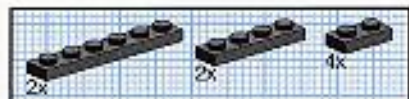


4

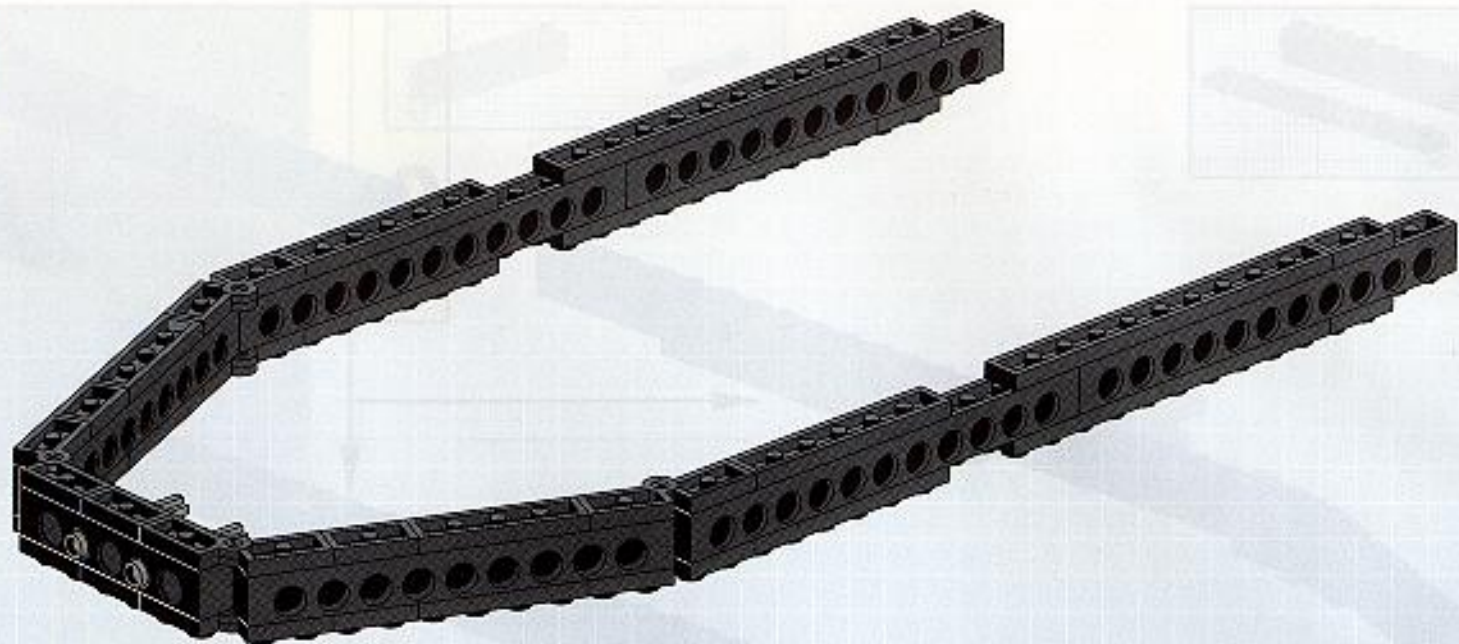


5

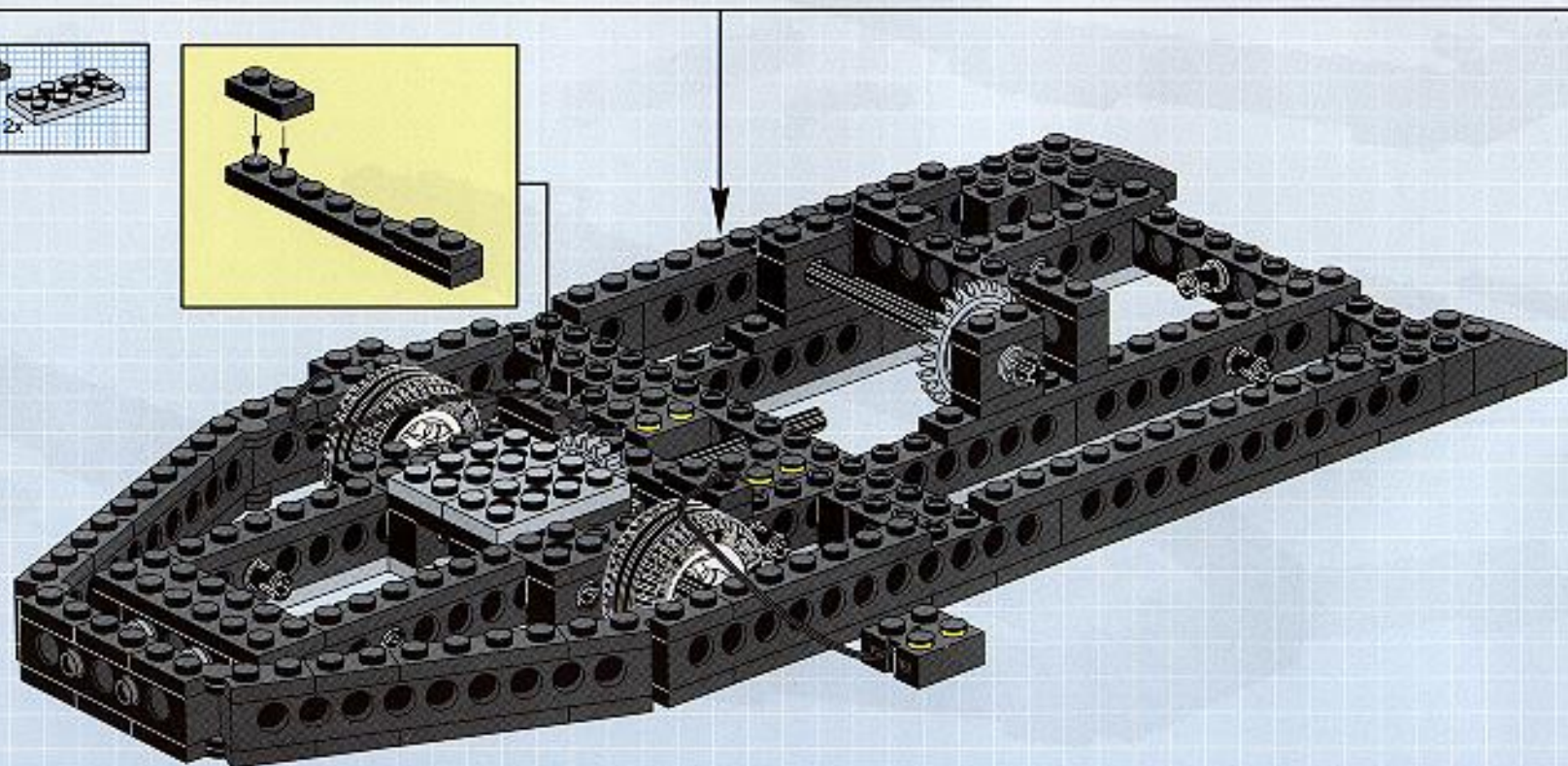
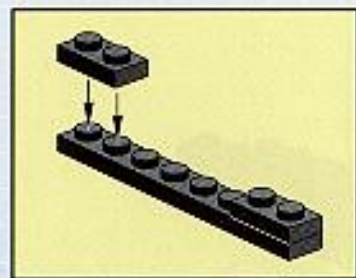


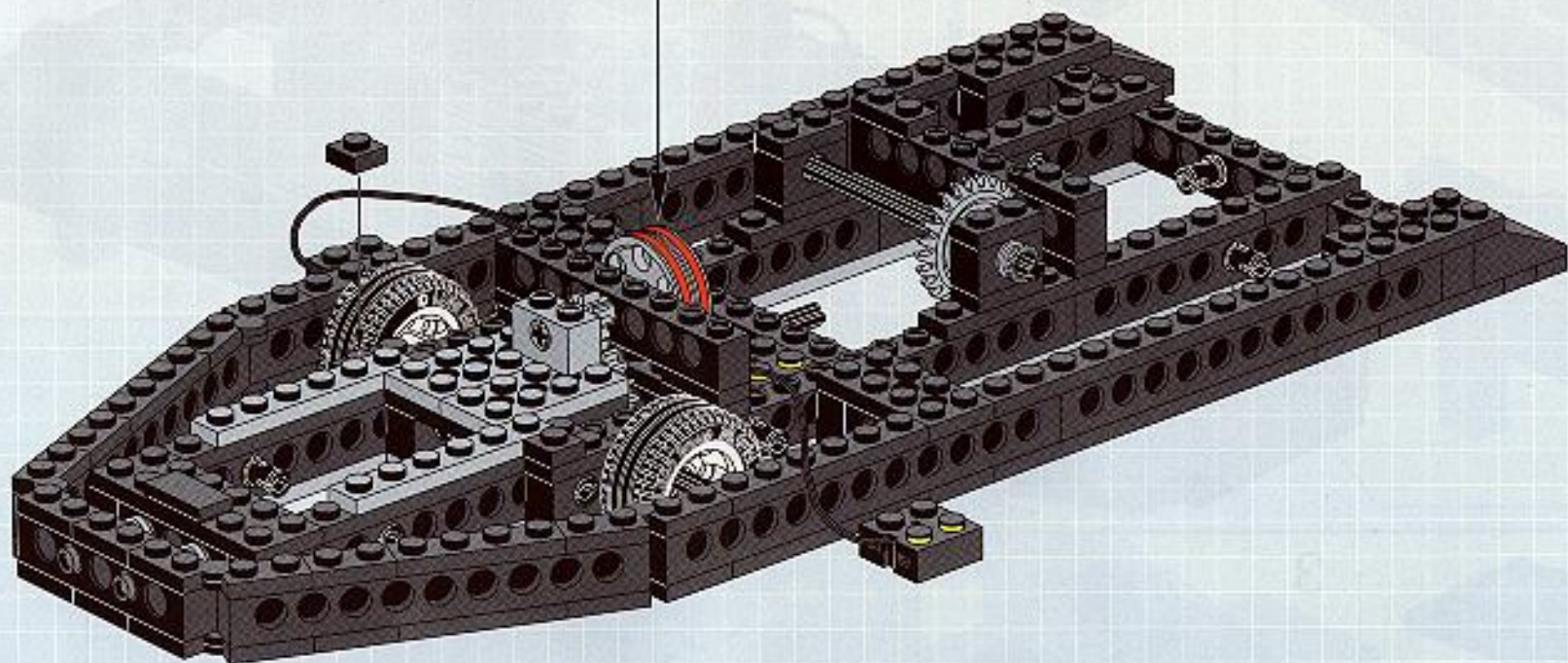
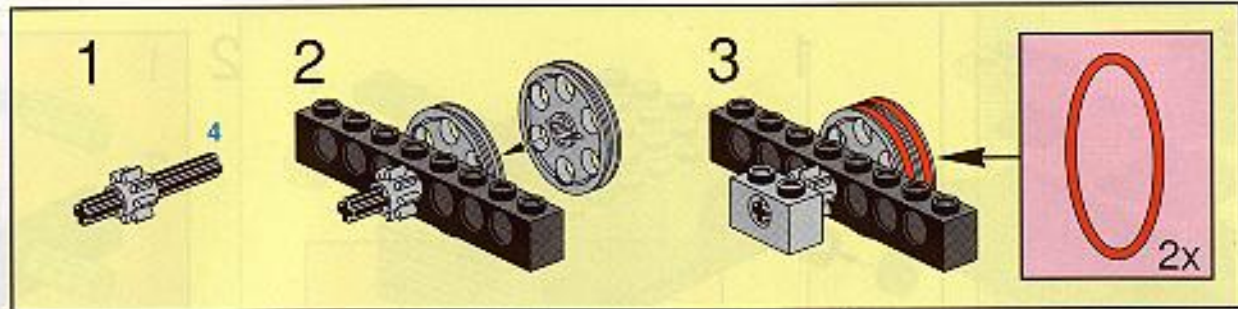
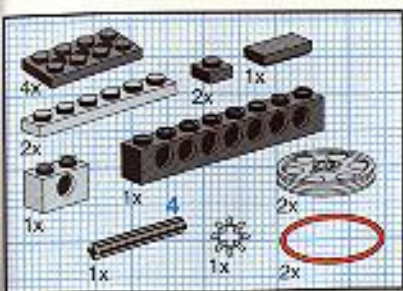


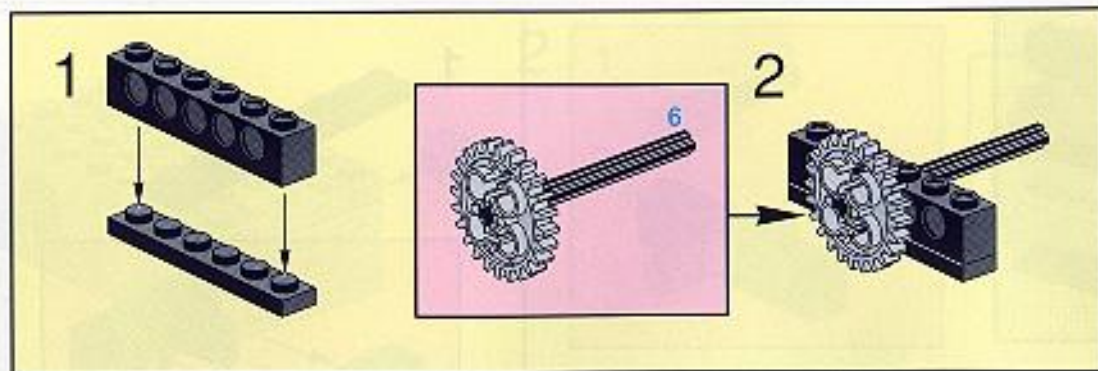
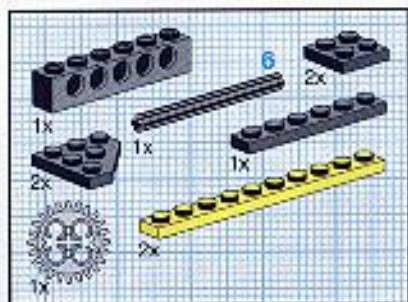
6



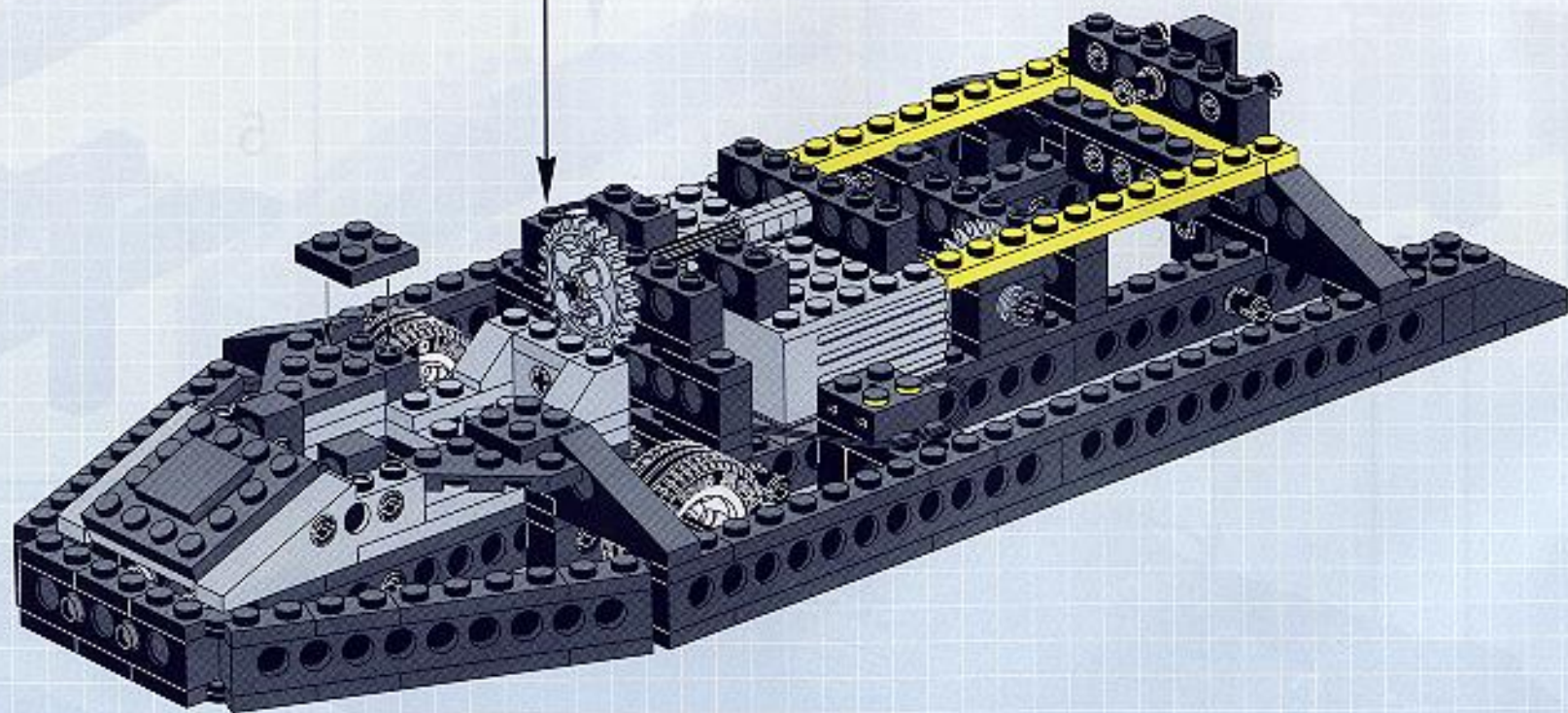
8

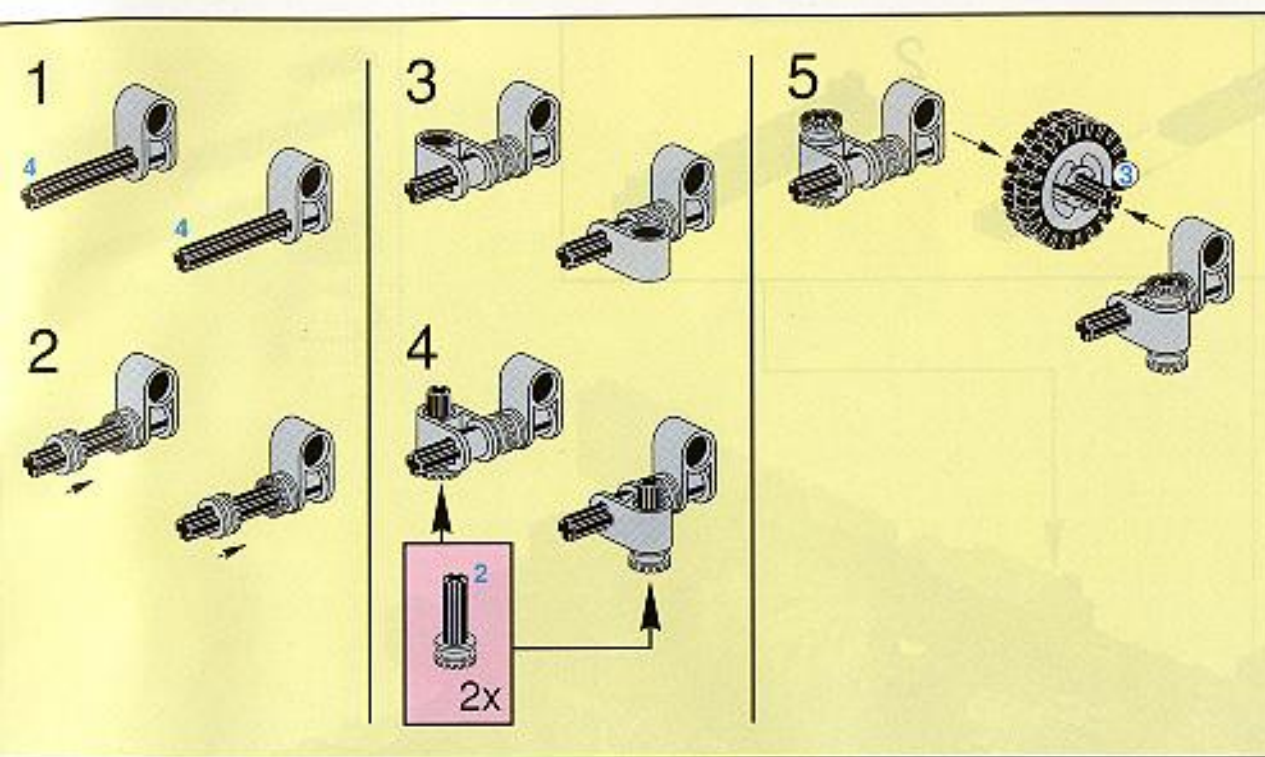




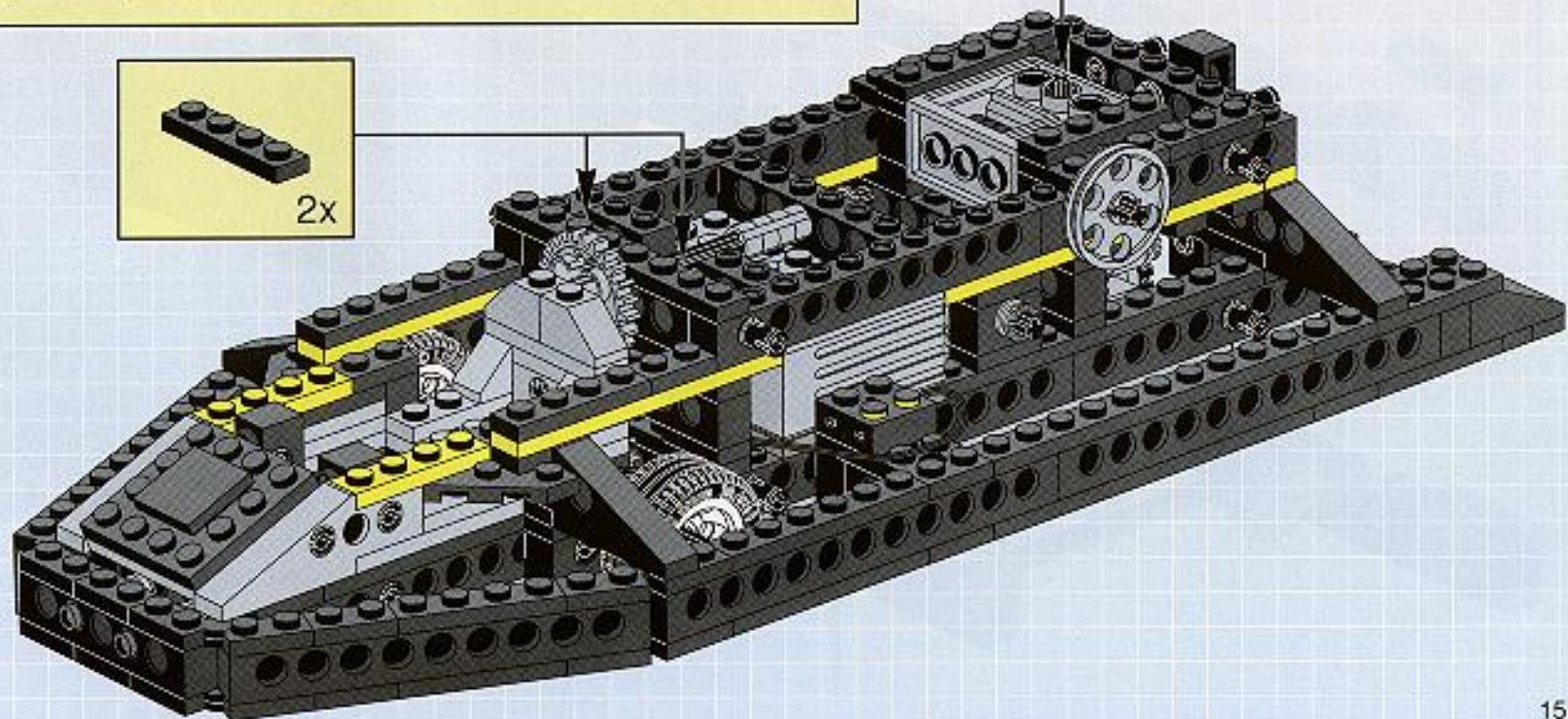
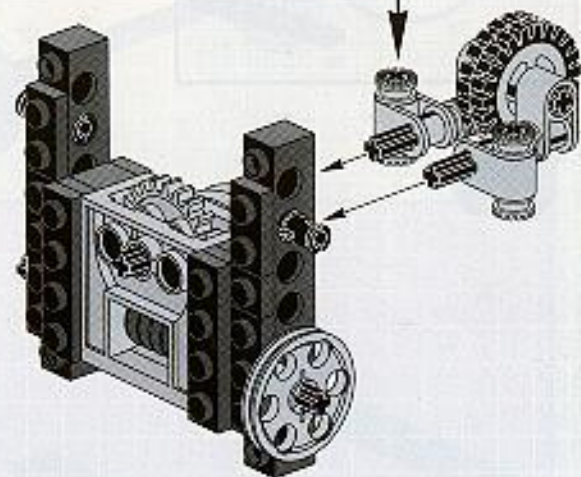


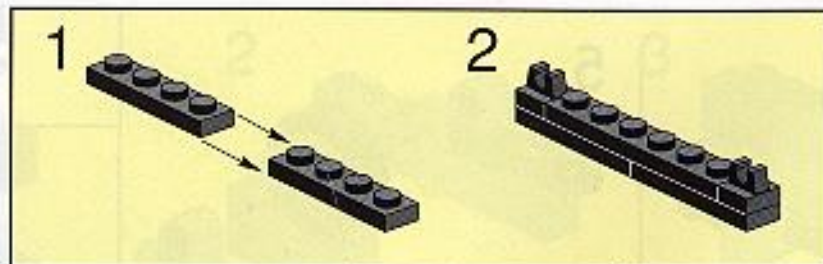
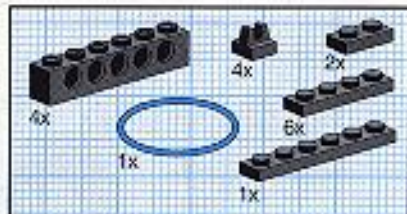
12



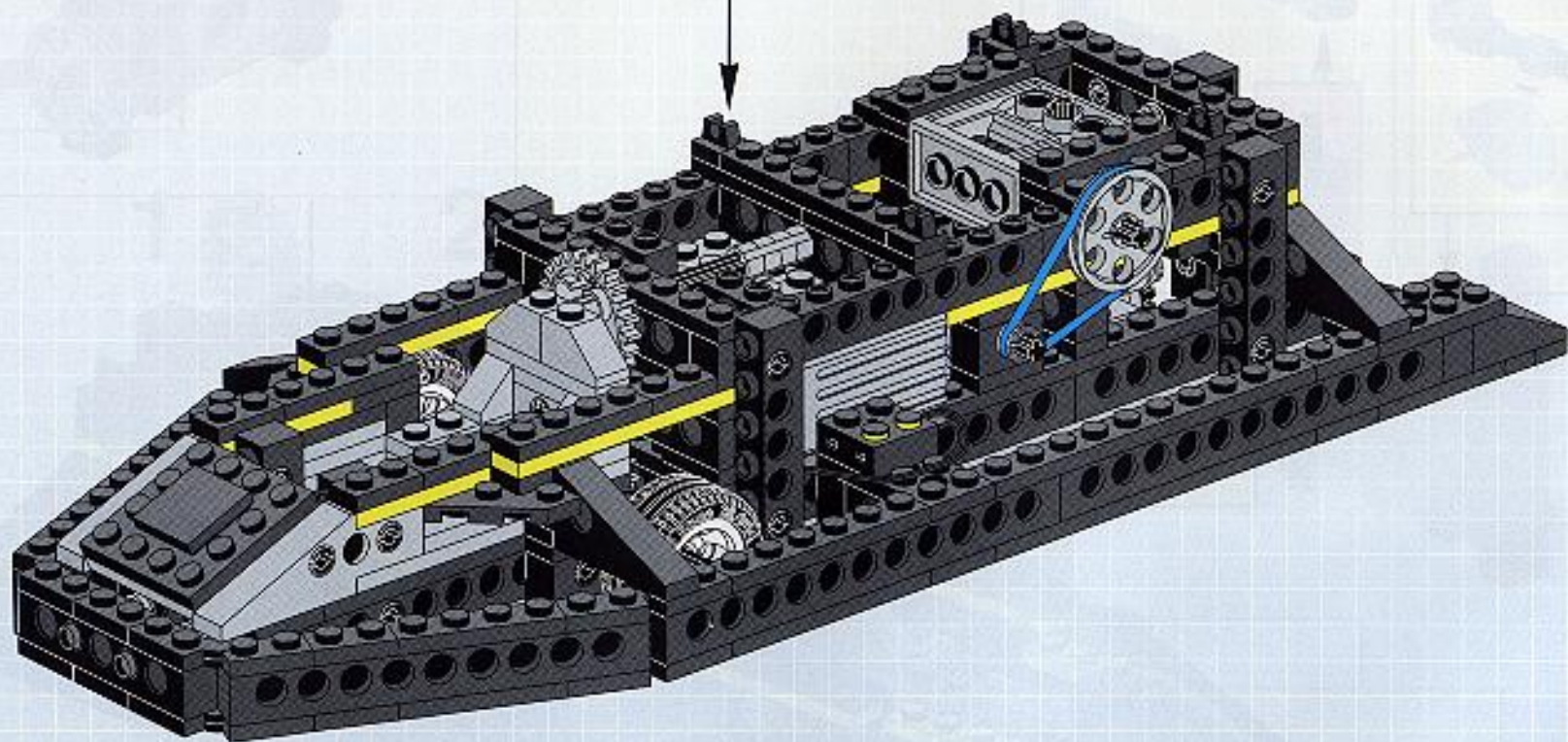


5



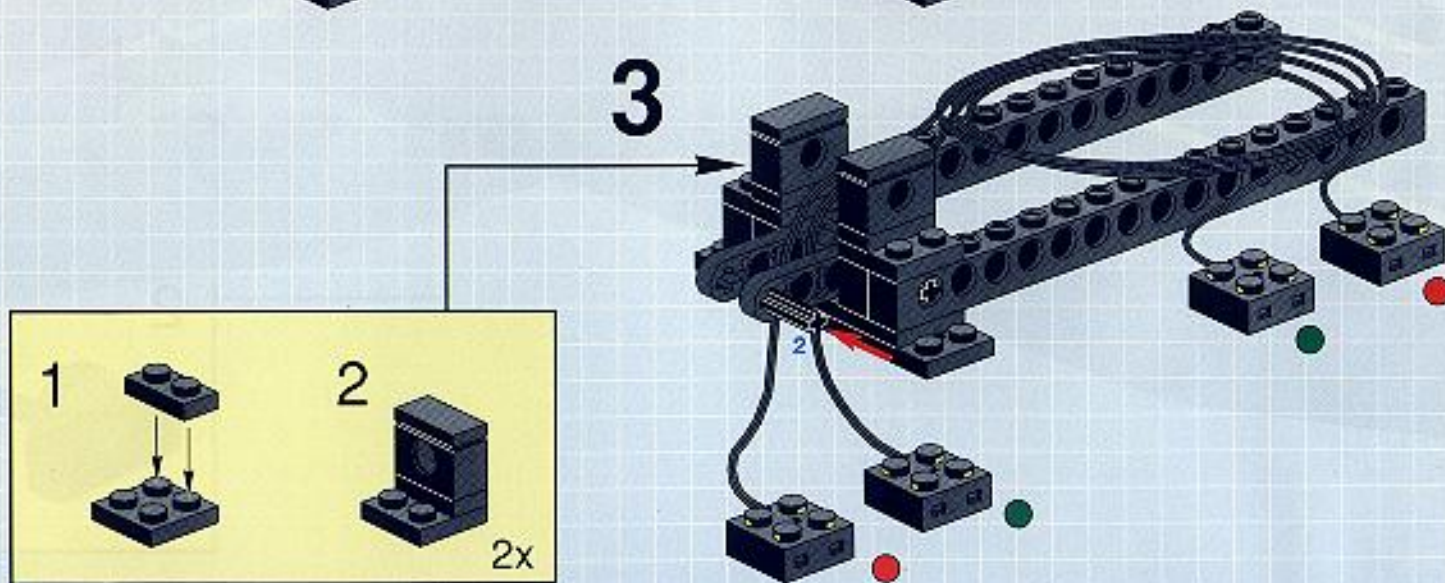
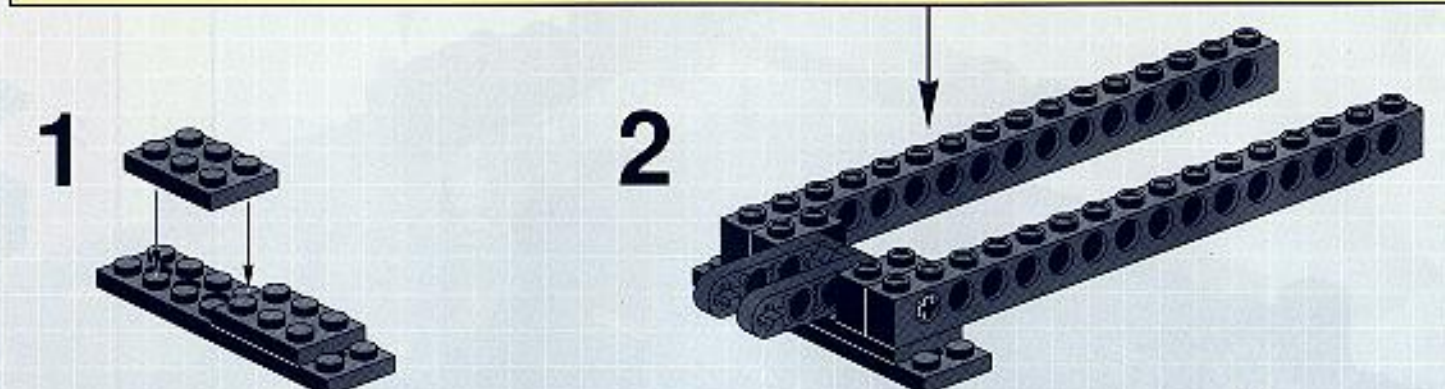
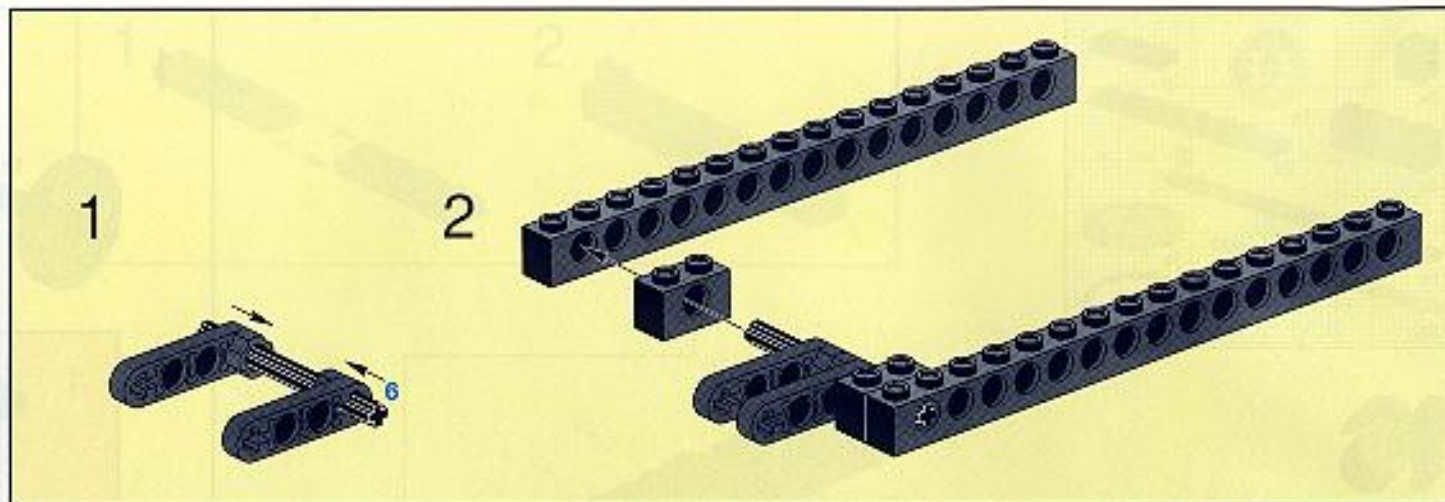


15

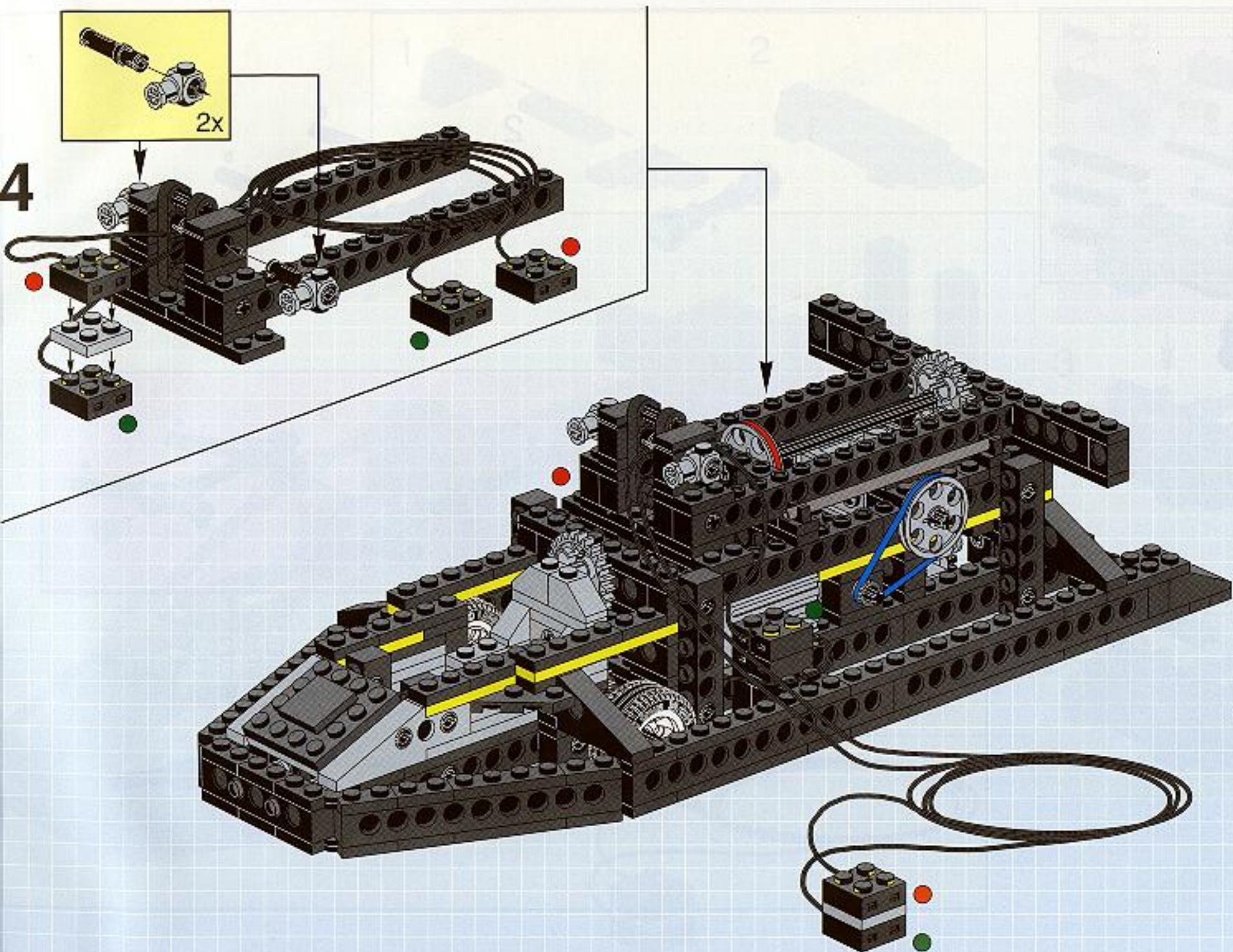


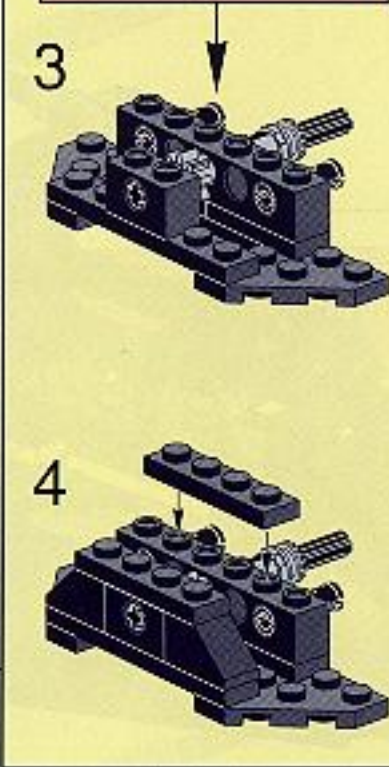
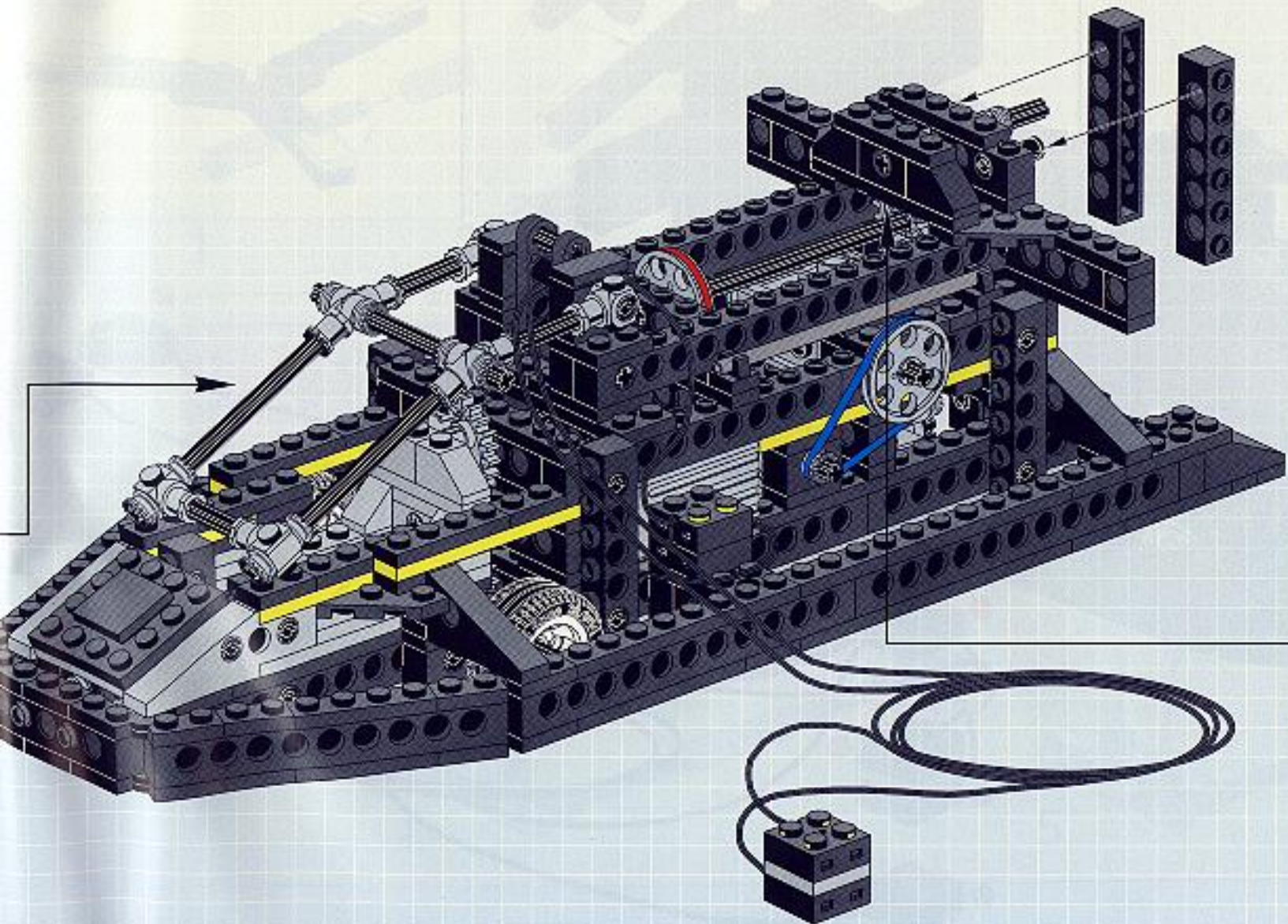
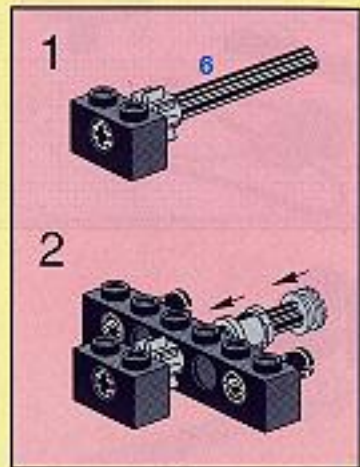
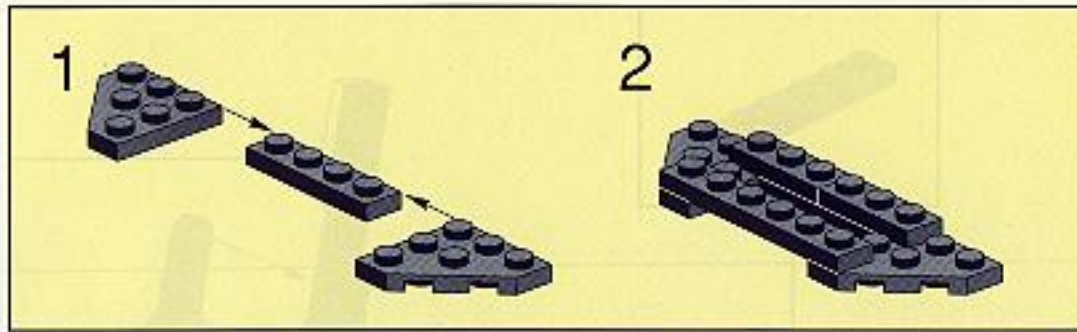


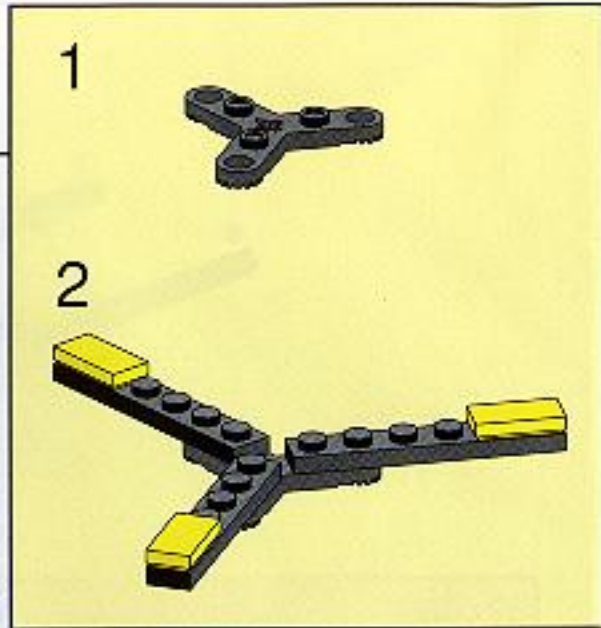
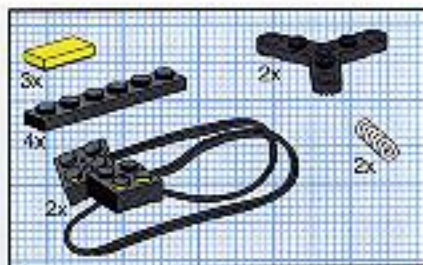
17



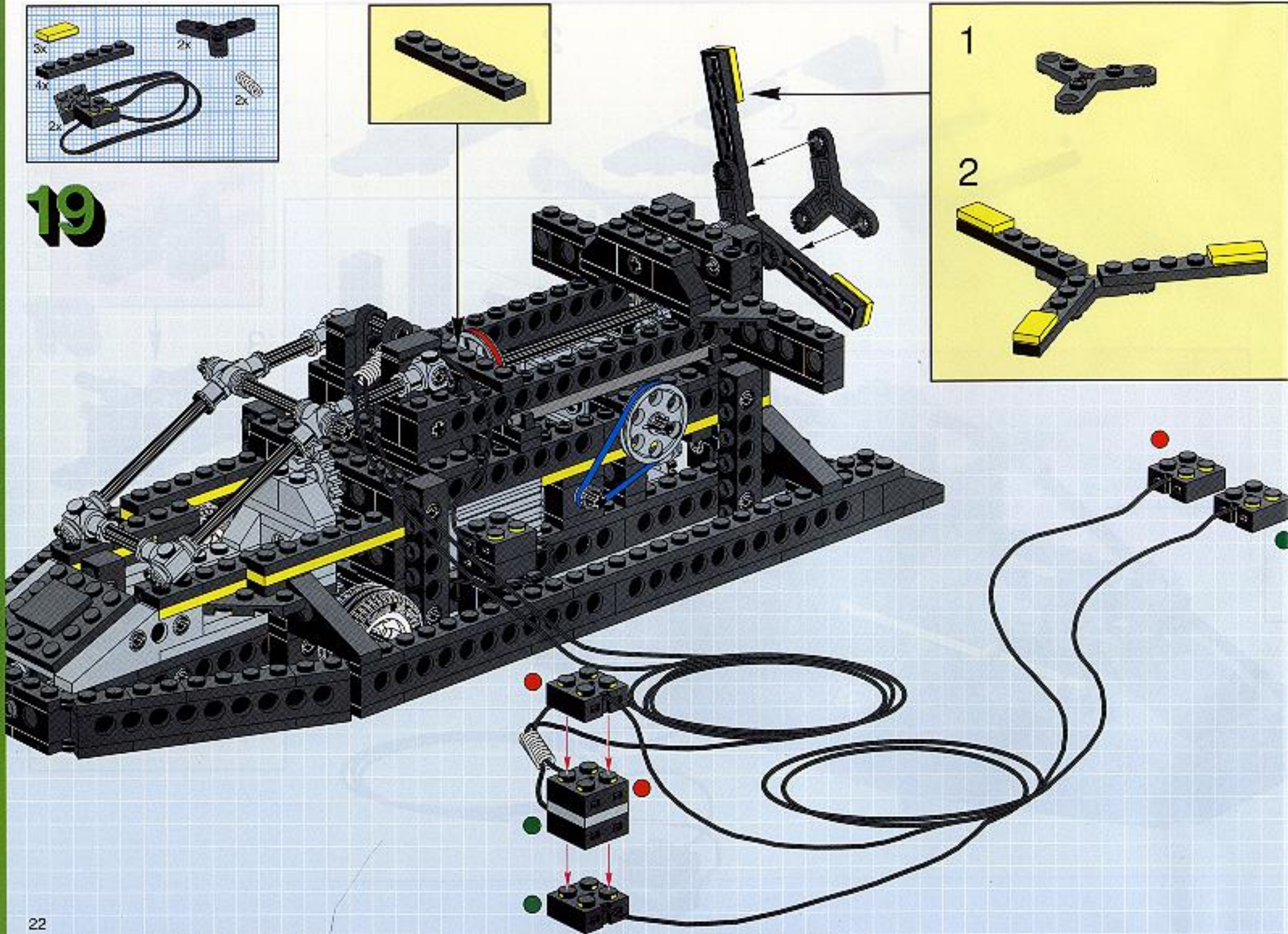
4



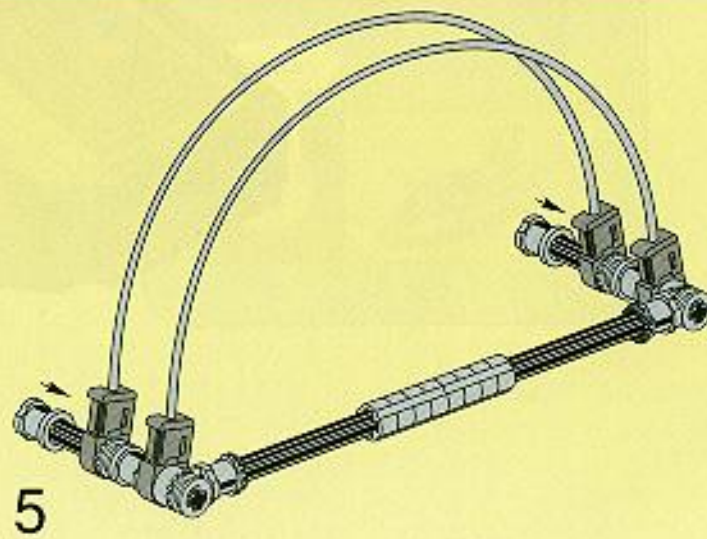
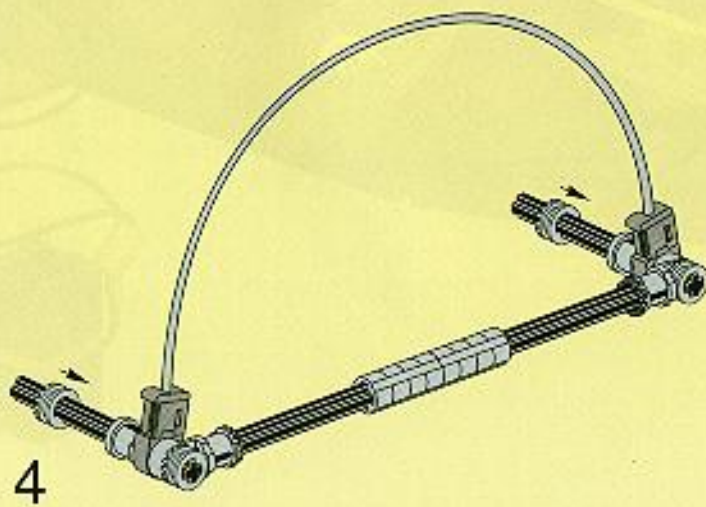
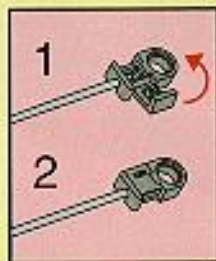
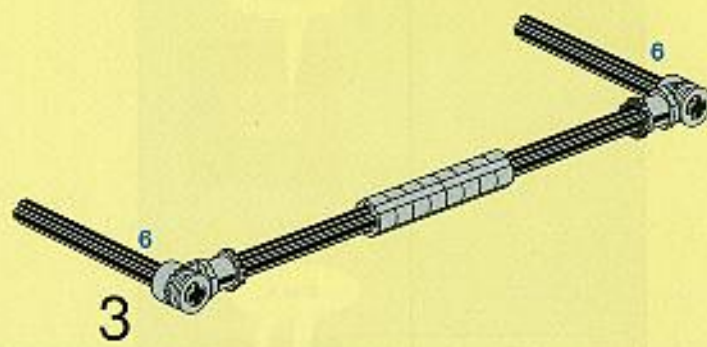
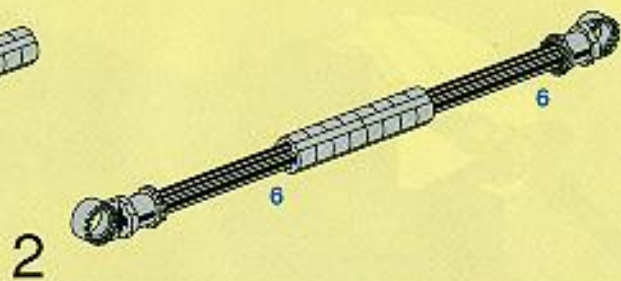
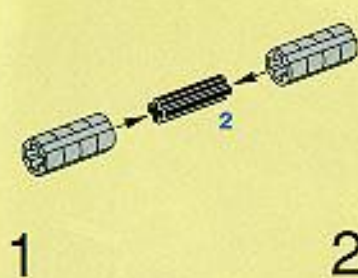
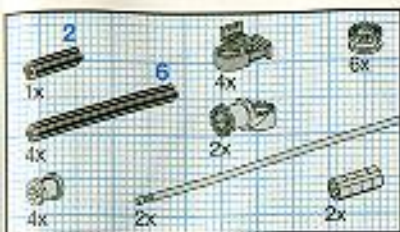


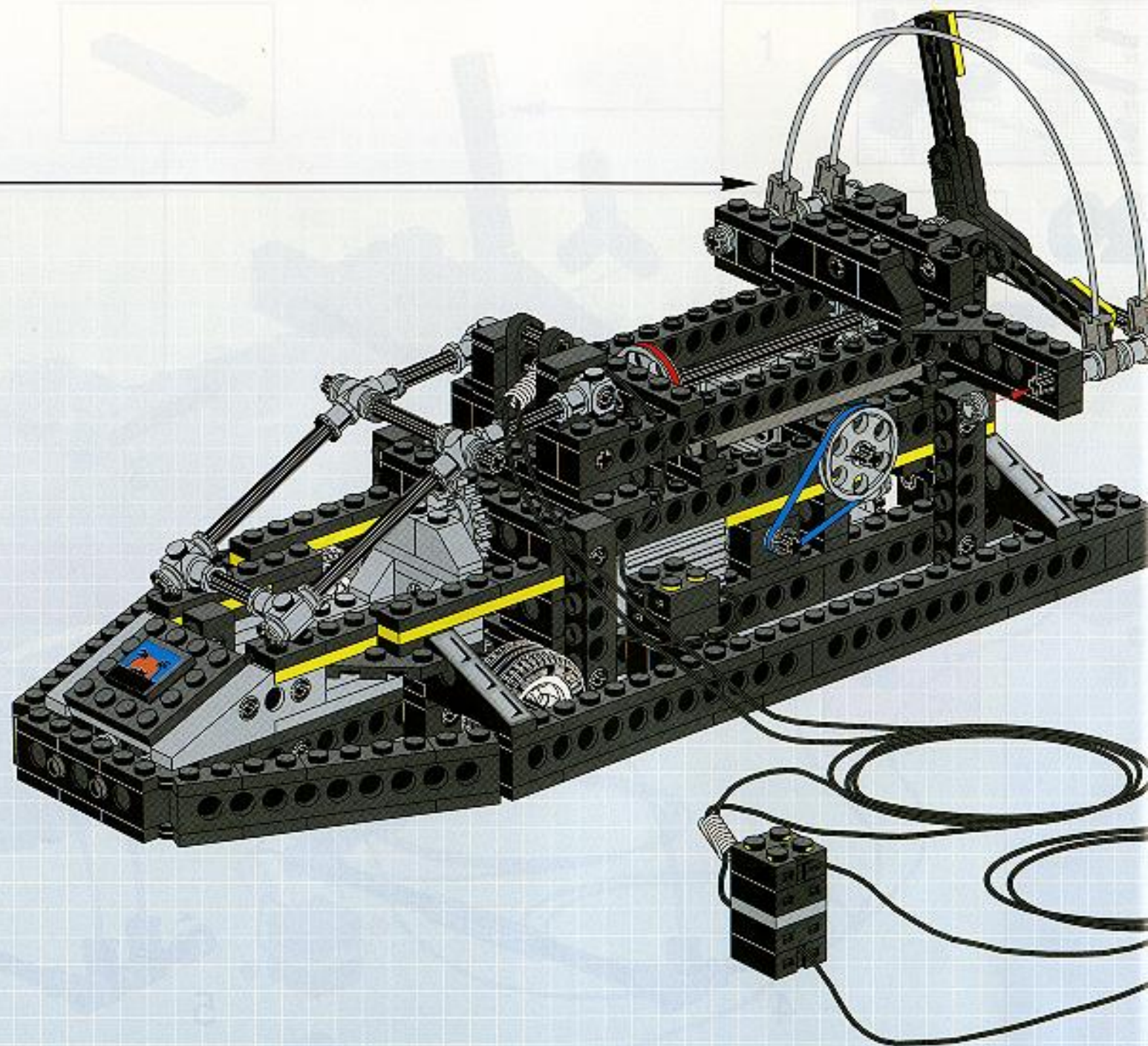


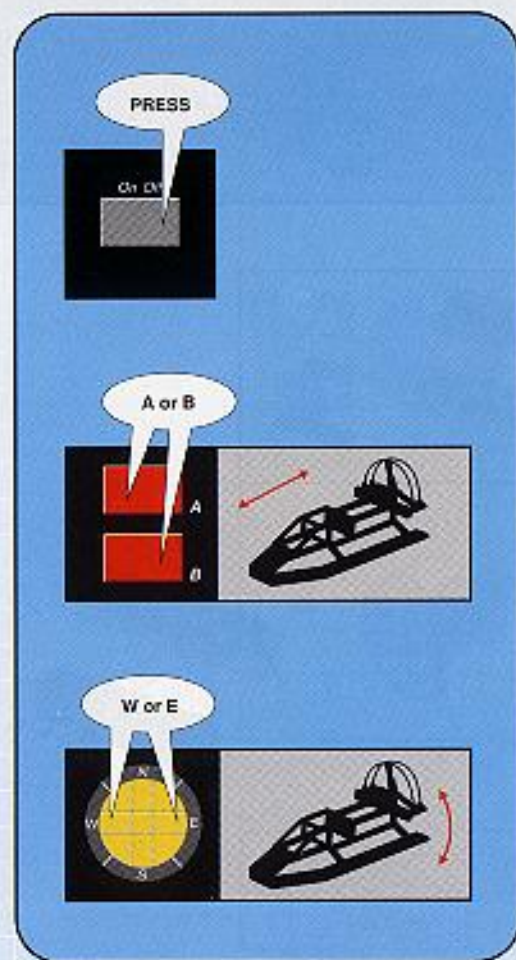
19

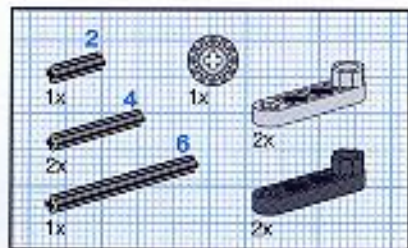
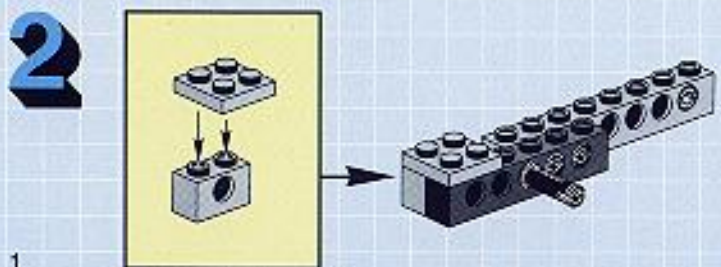
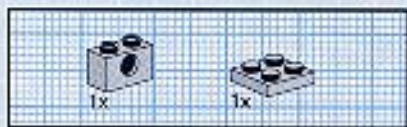
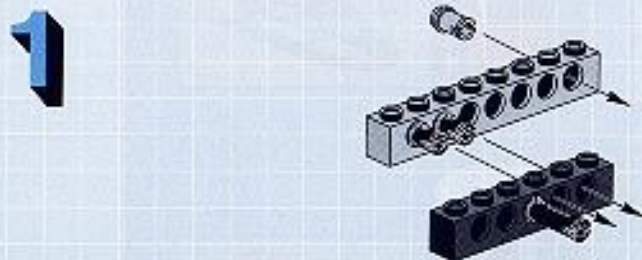
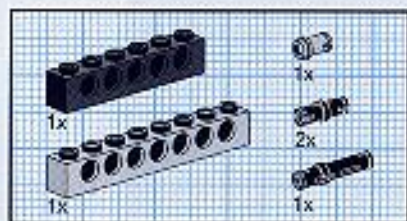
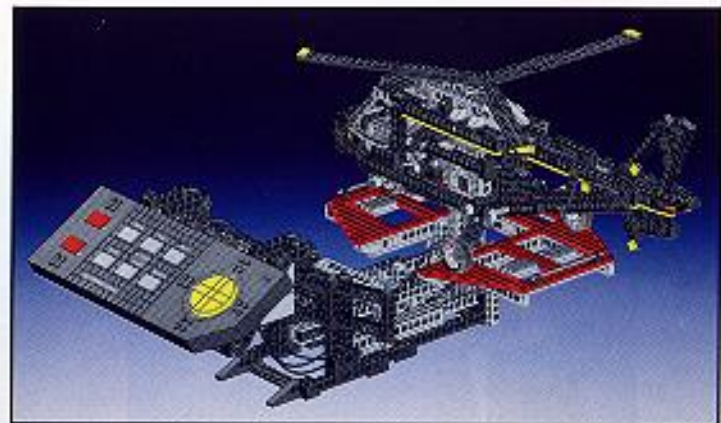


20

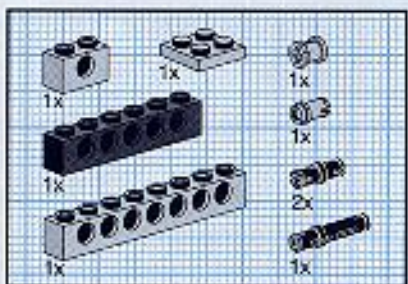
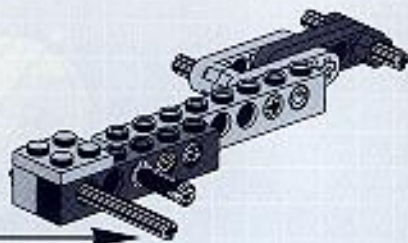
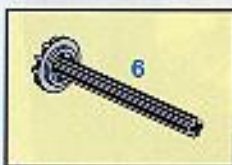




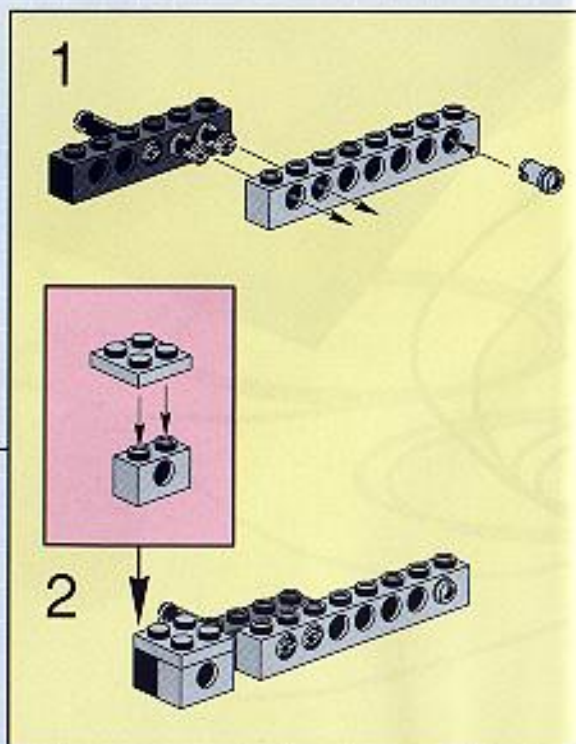
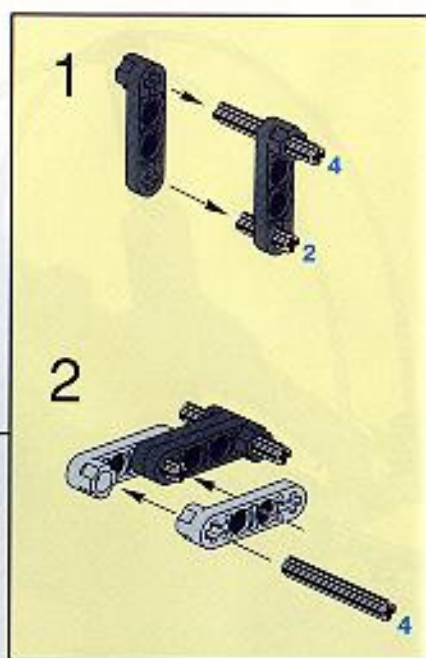
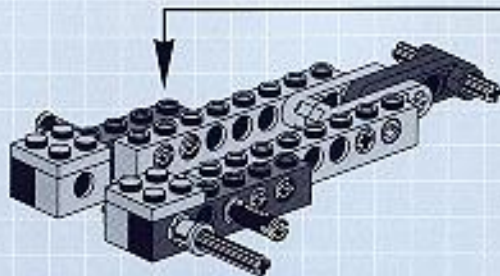


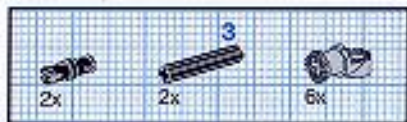


3

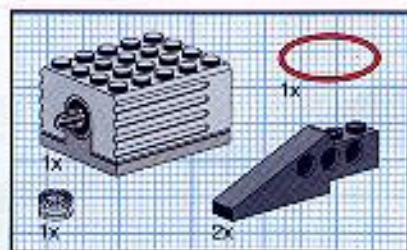
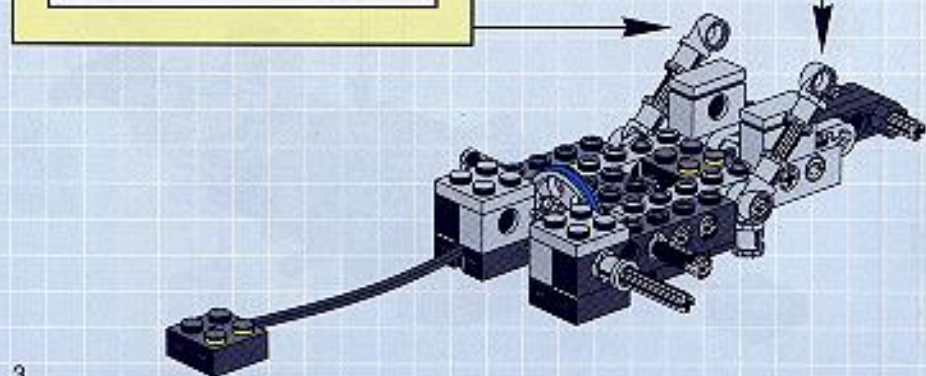
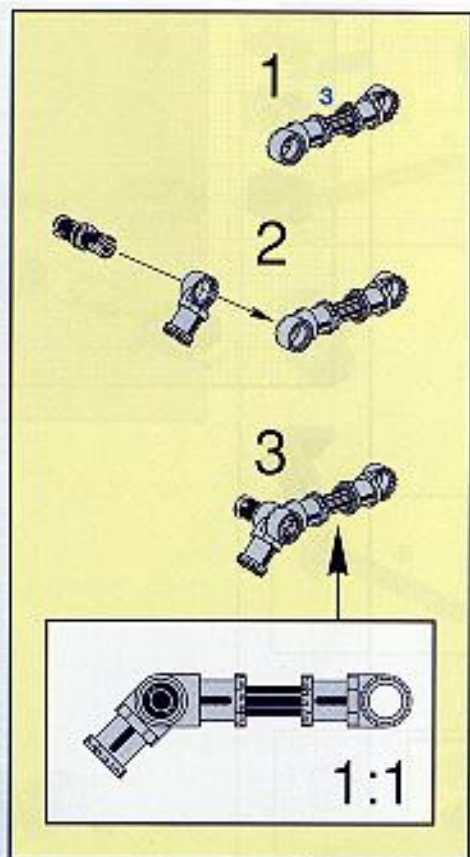
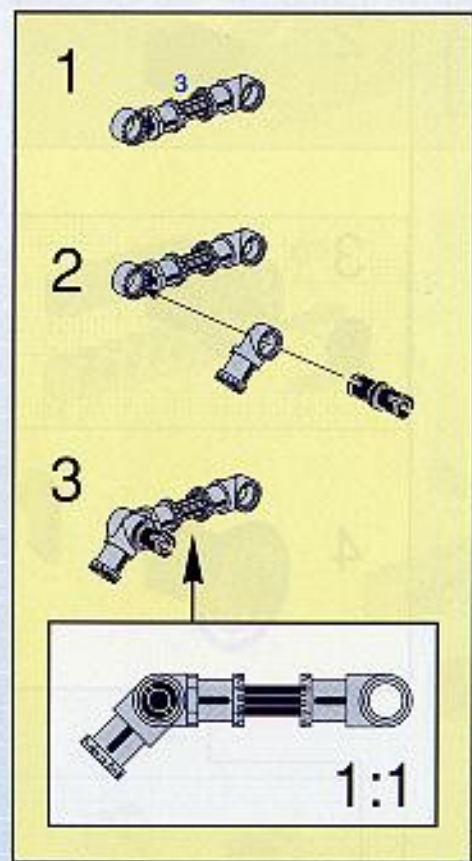


4

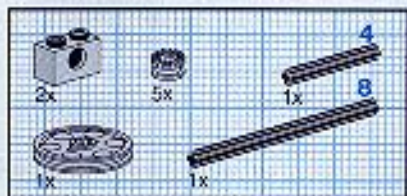
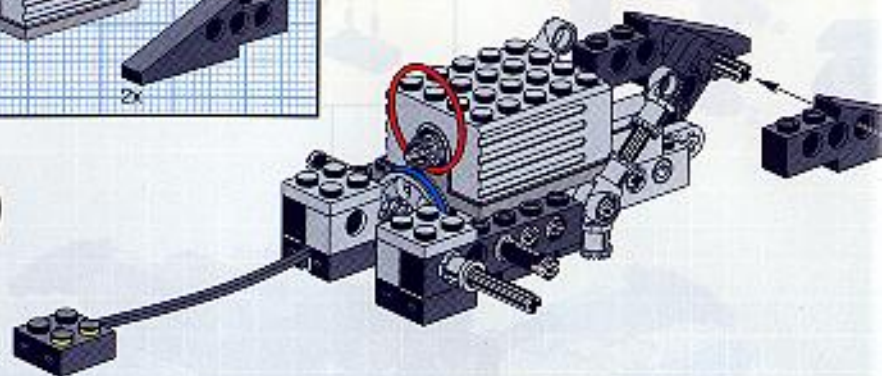




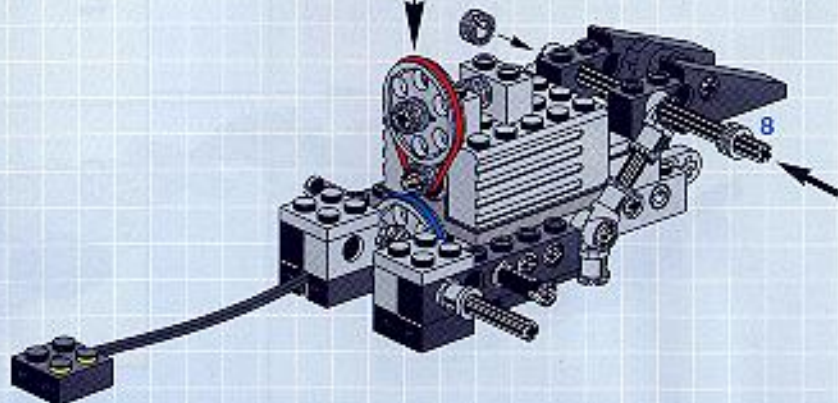
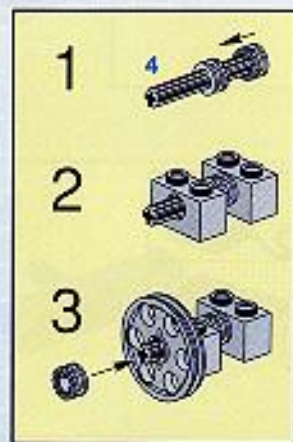
8



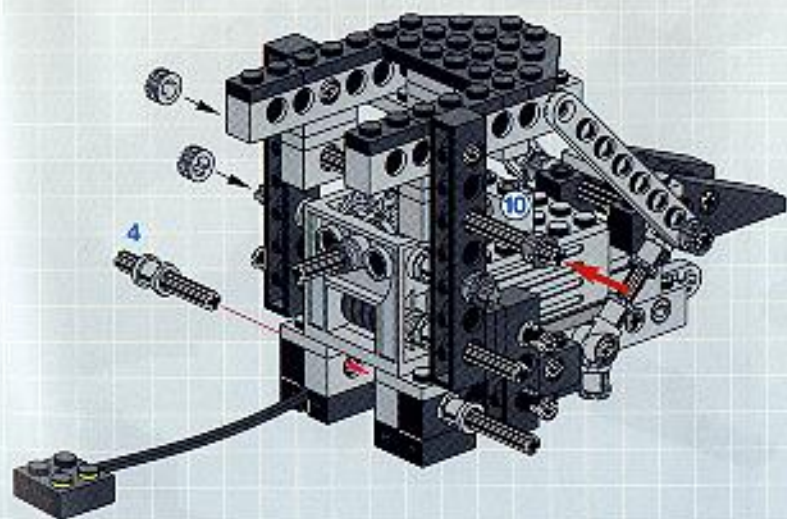
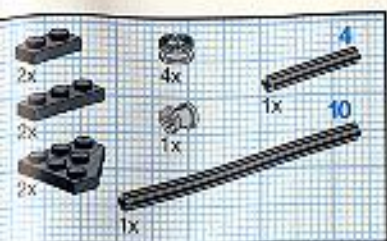
9



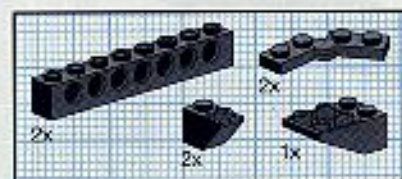
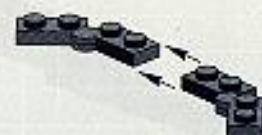
10



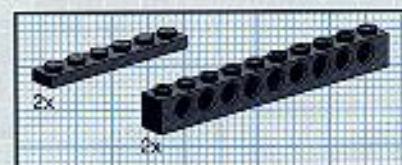
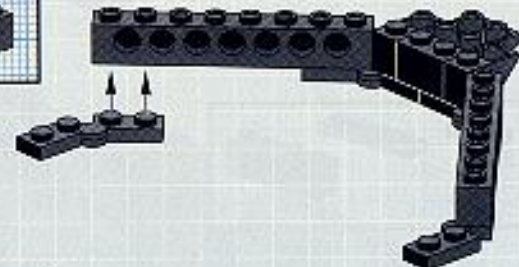
15



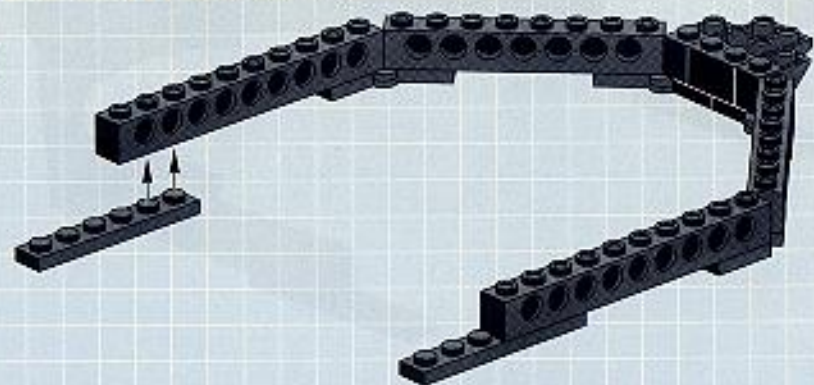
1

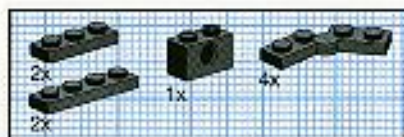


2

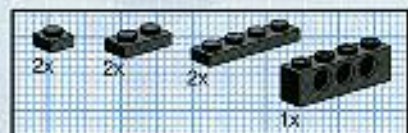
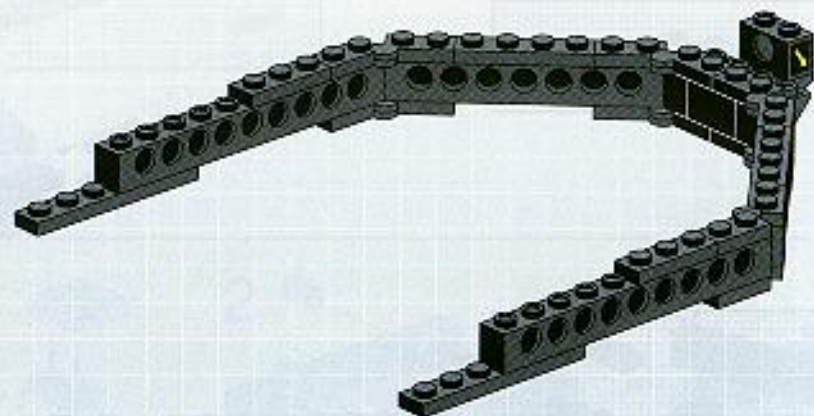


3

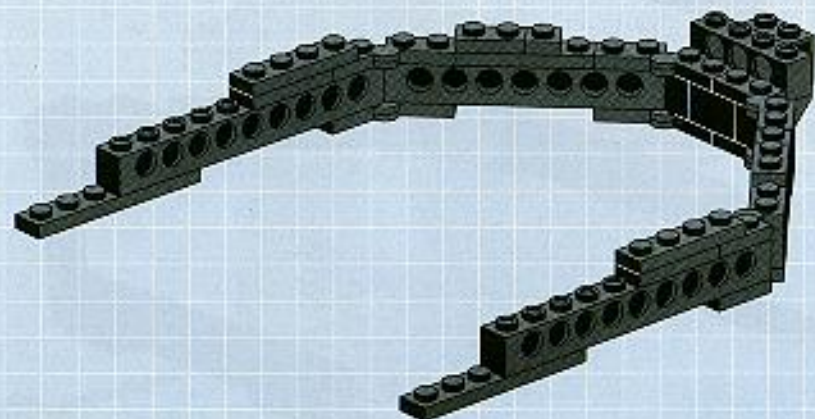




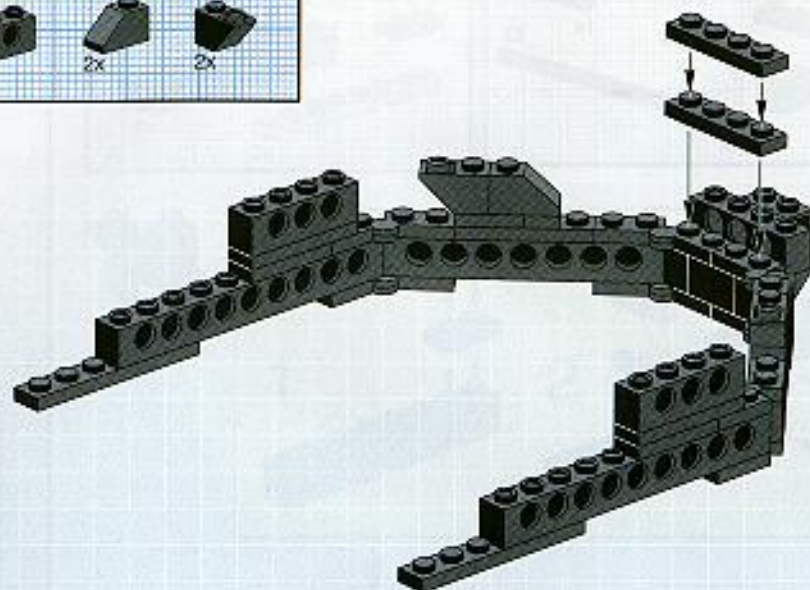
4



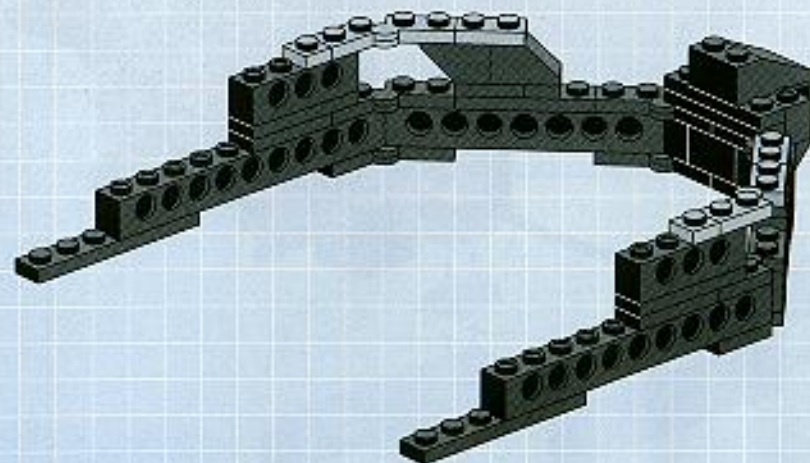
5

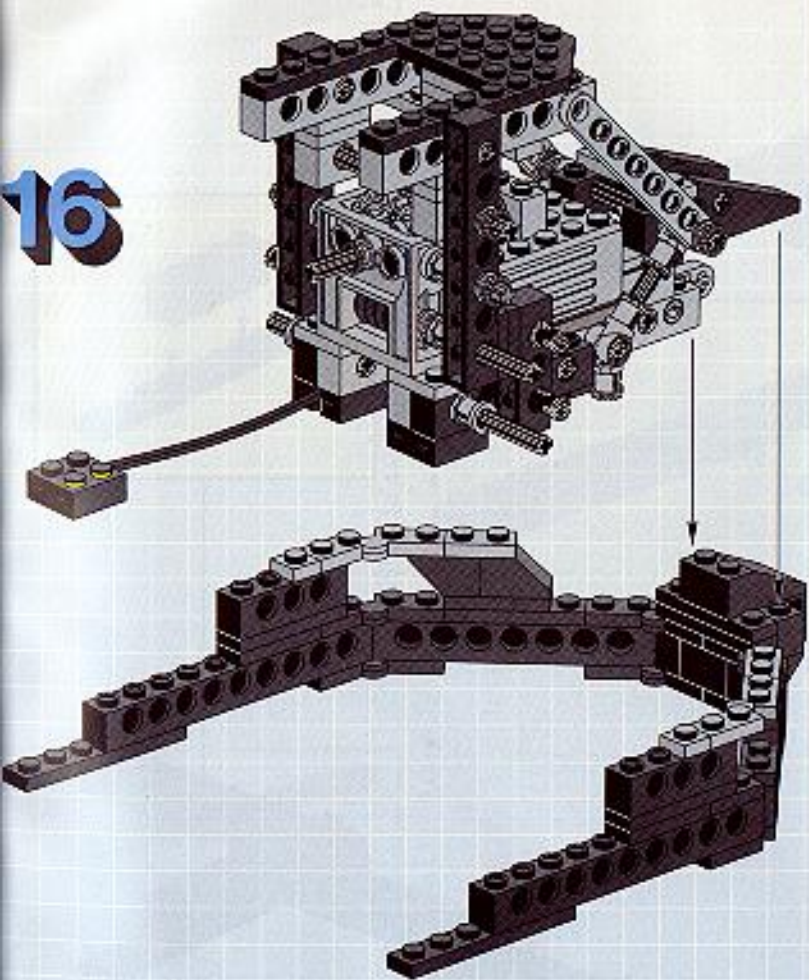
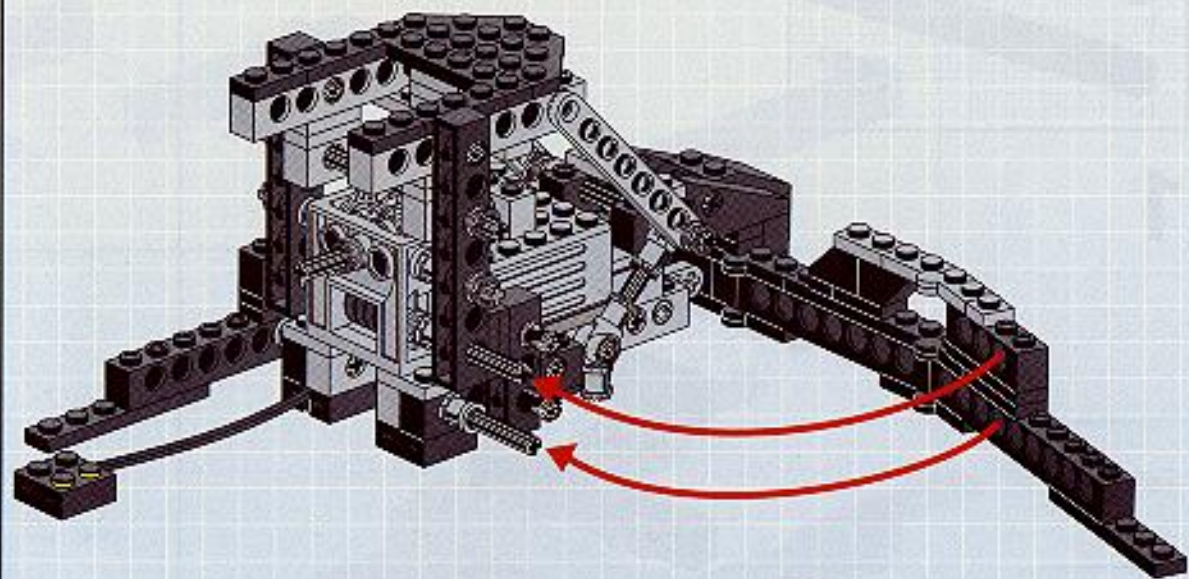


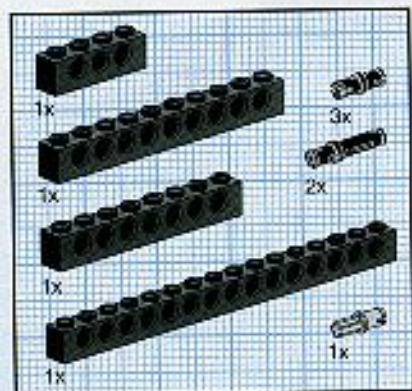
6



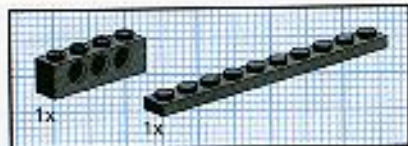
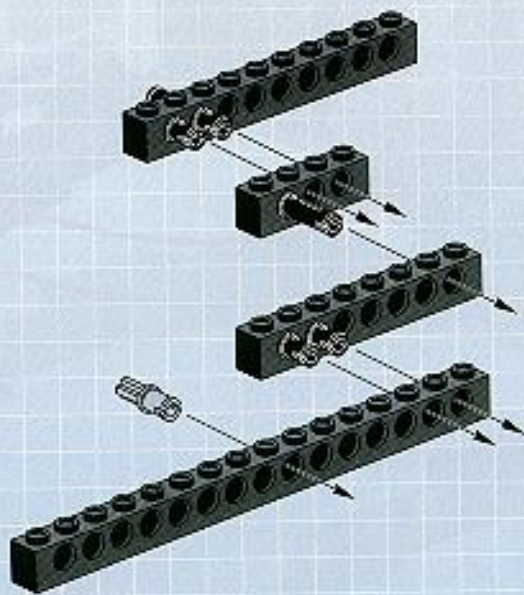
7



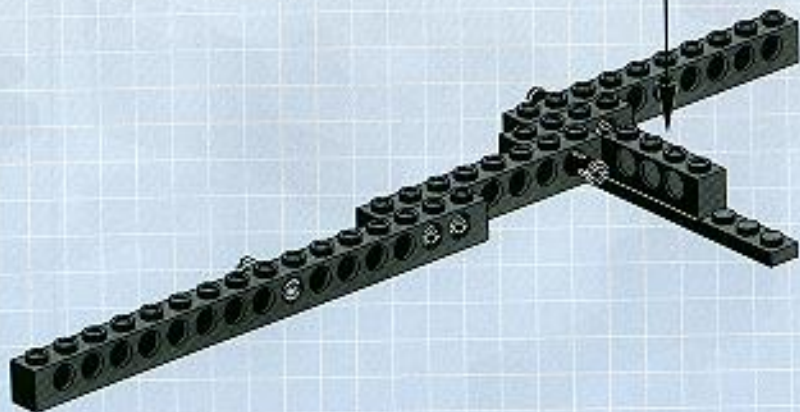
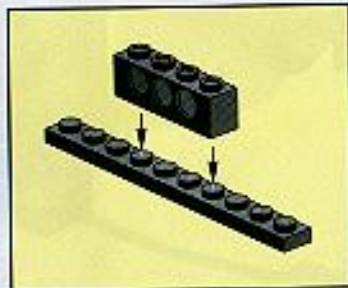
16**17**

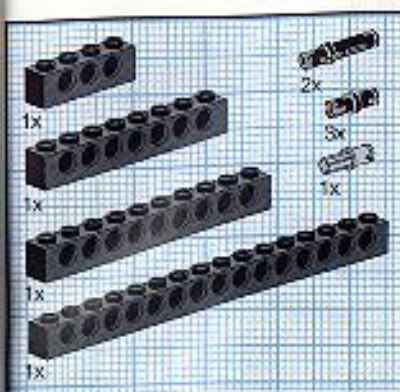


1

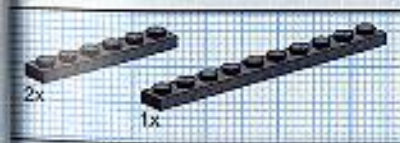
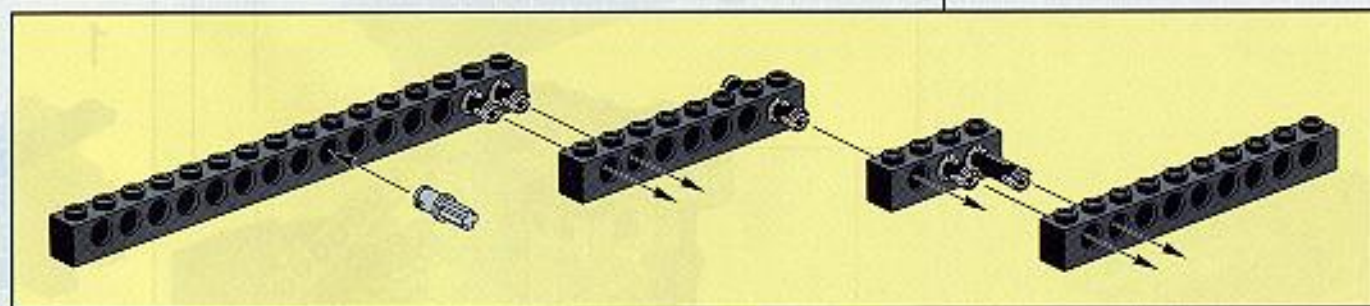
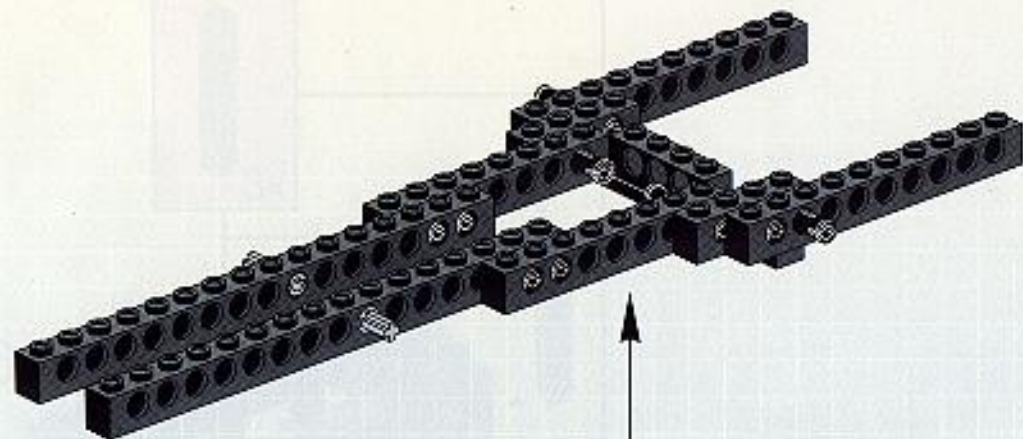


2

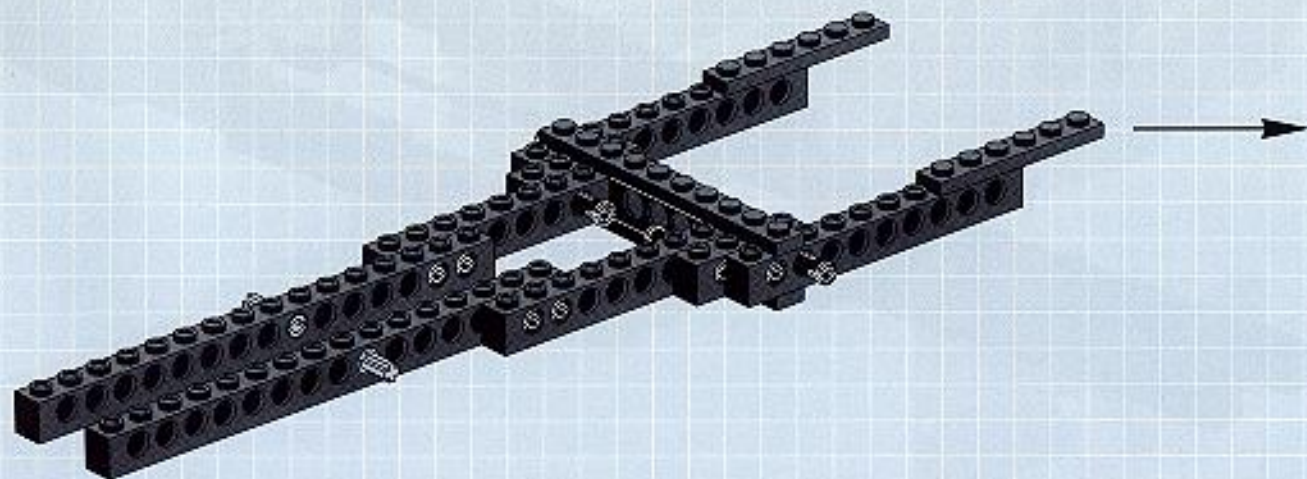


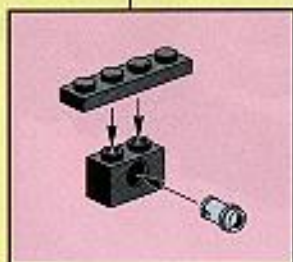
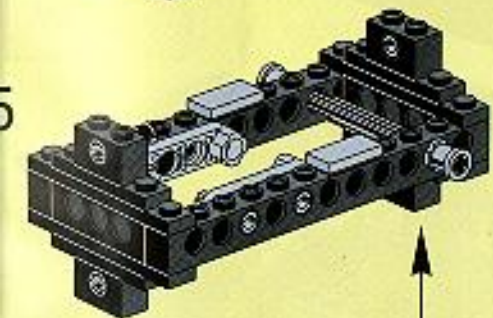
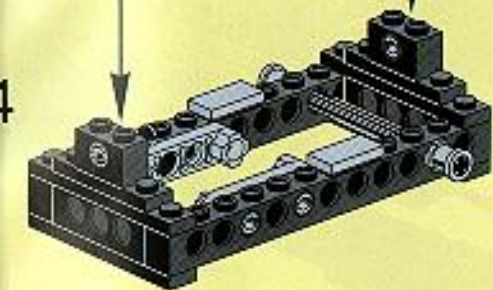
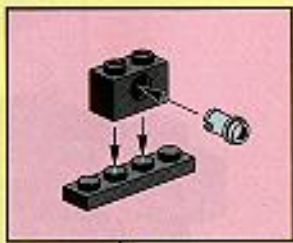


3

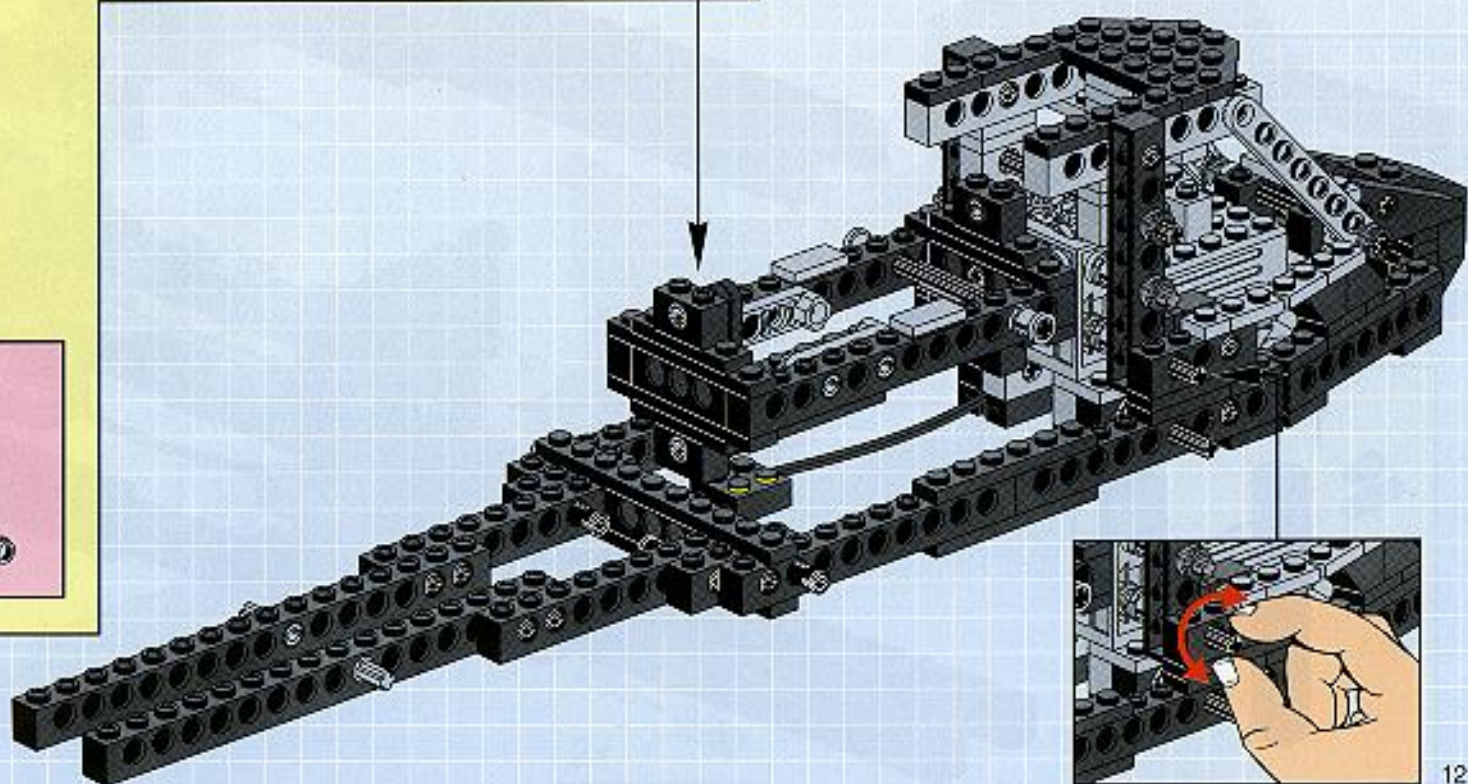
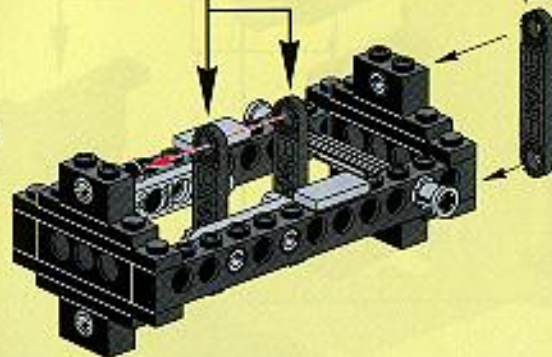


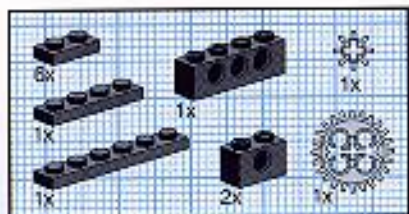
4



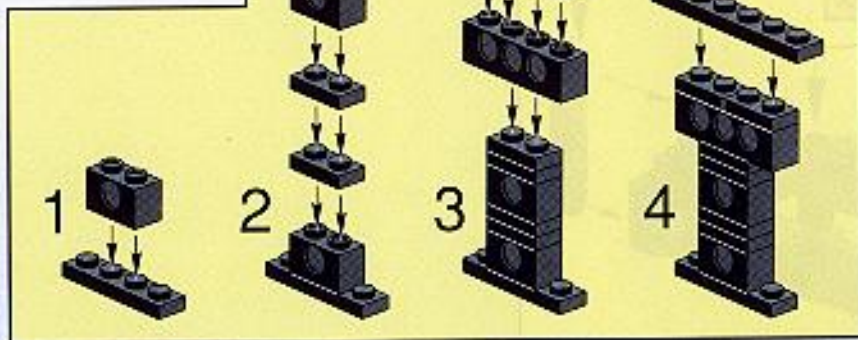


6

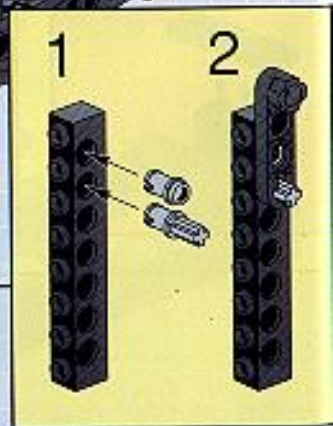
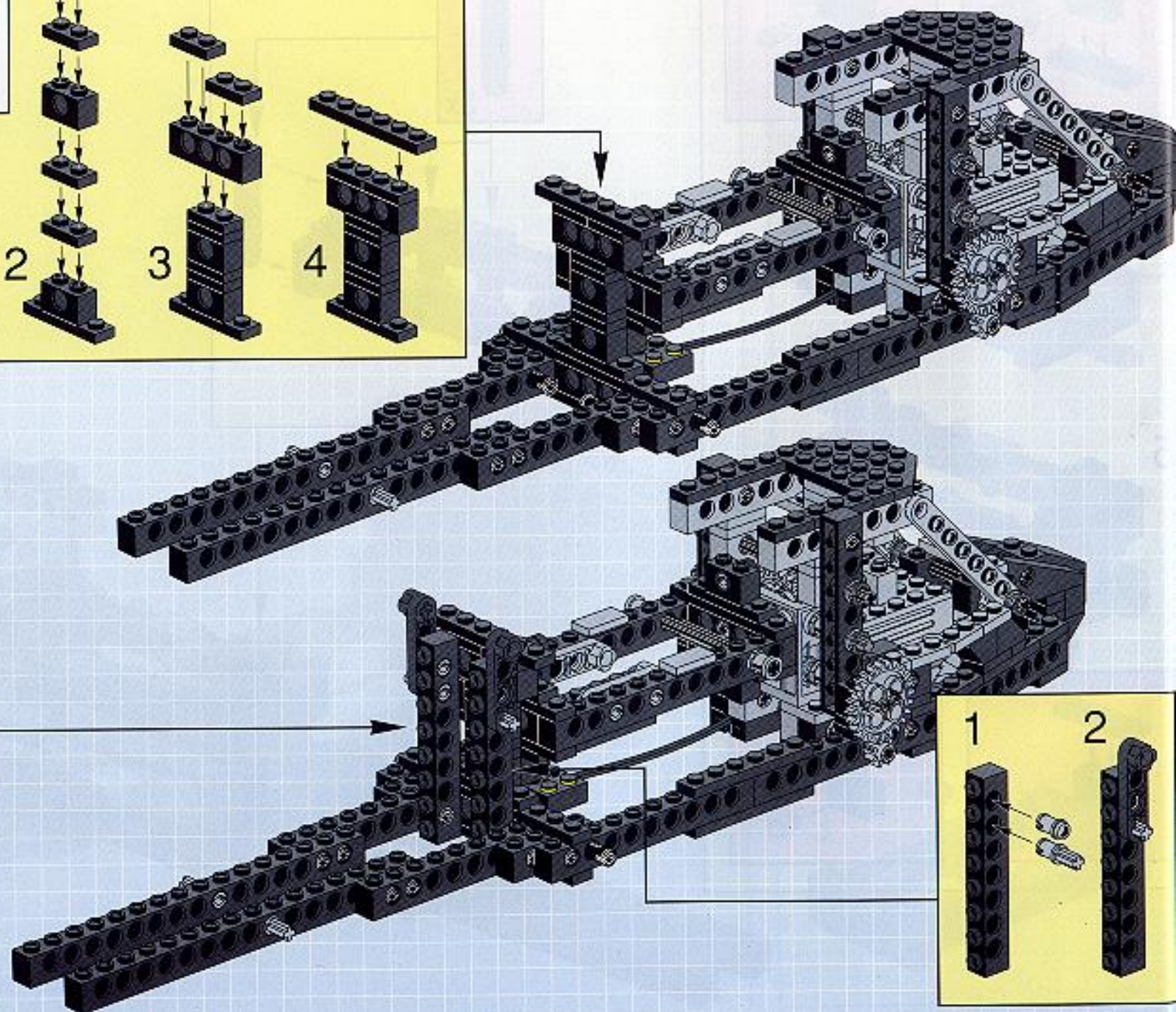
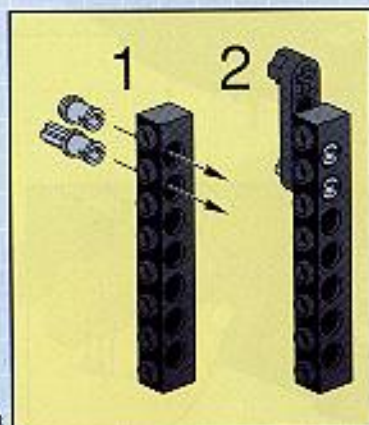


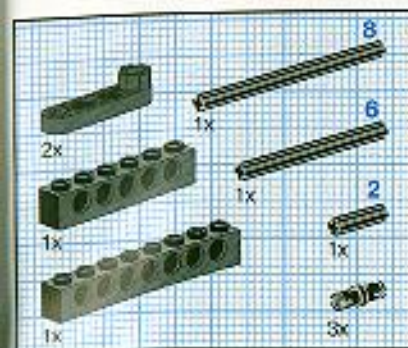


20

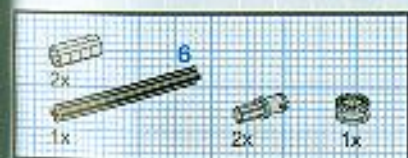
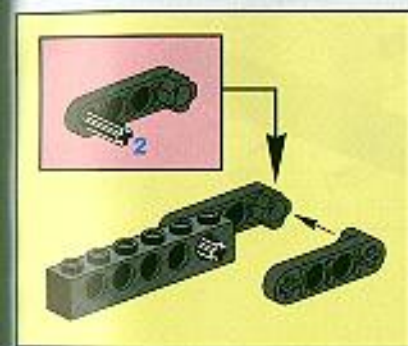


21

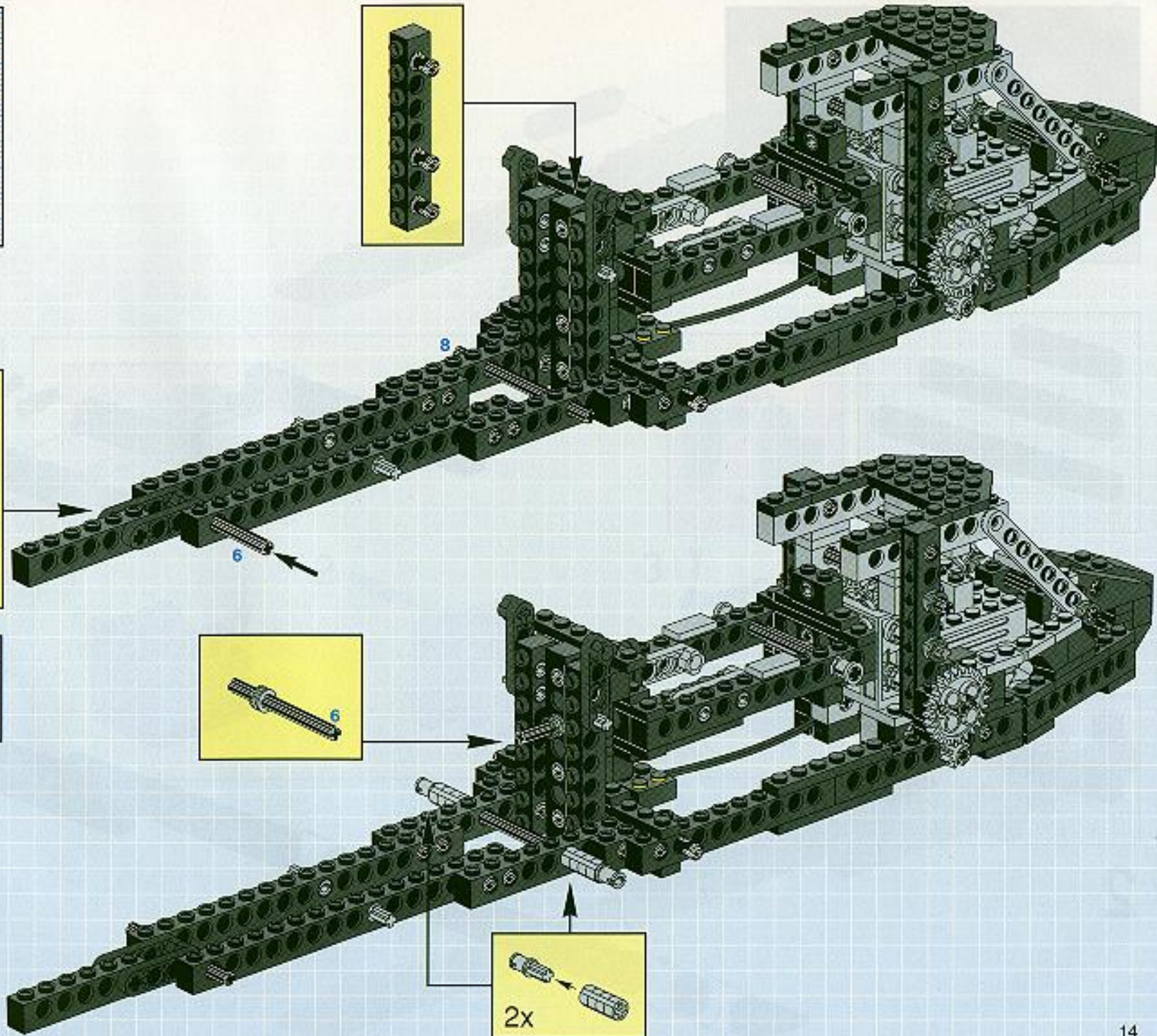


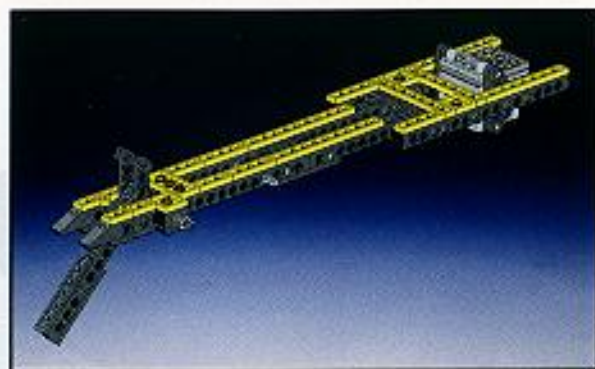


22

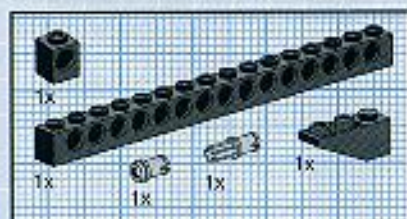


23

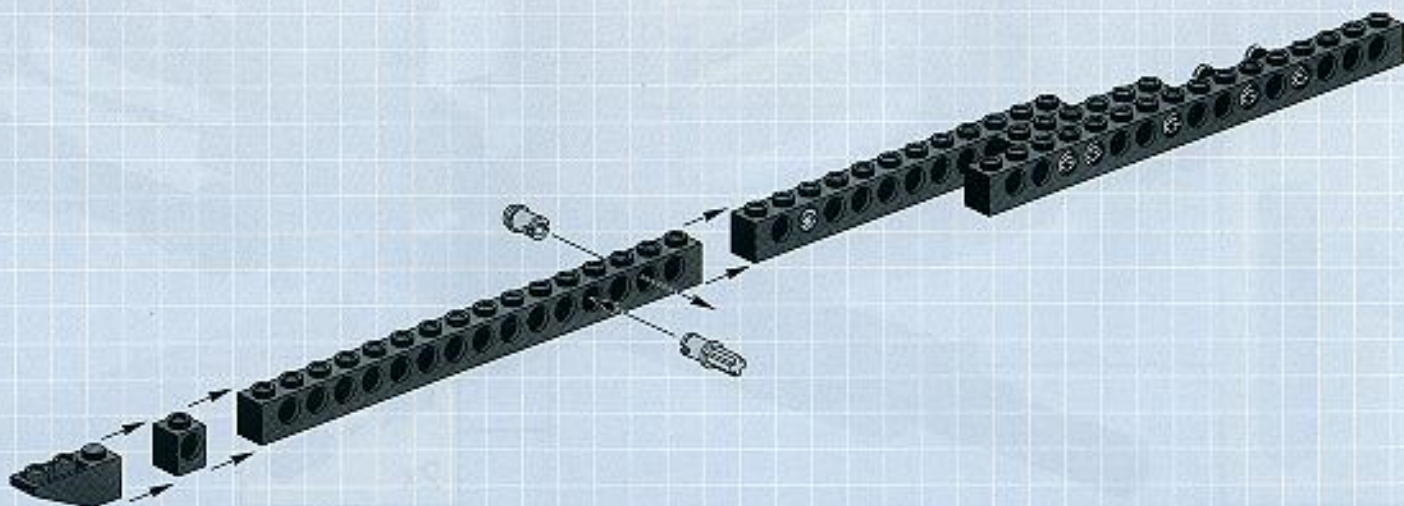
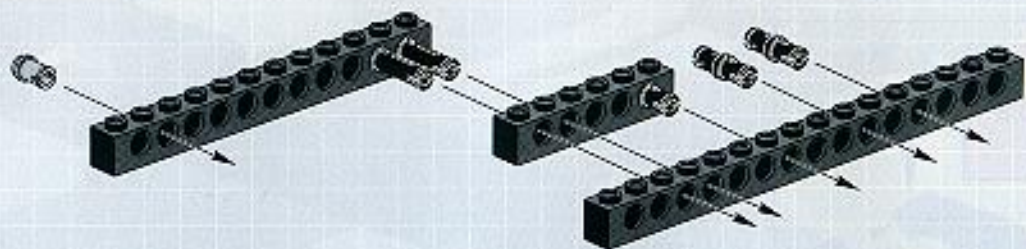


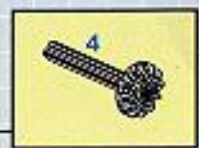
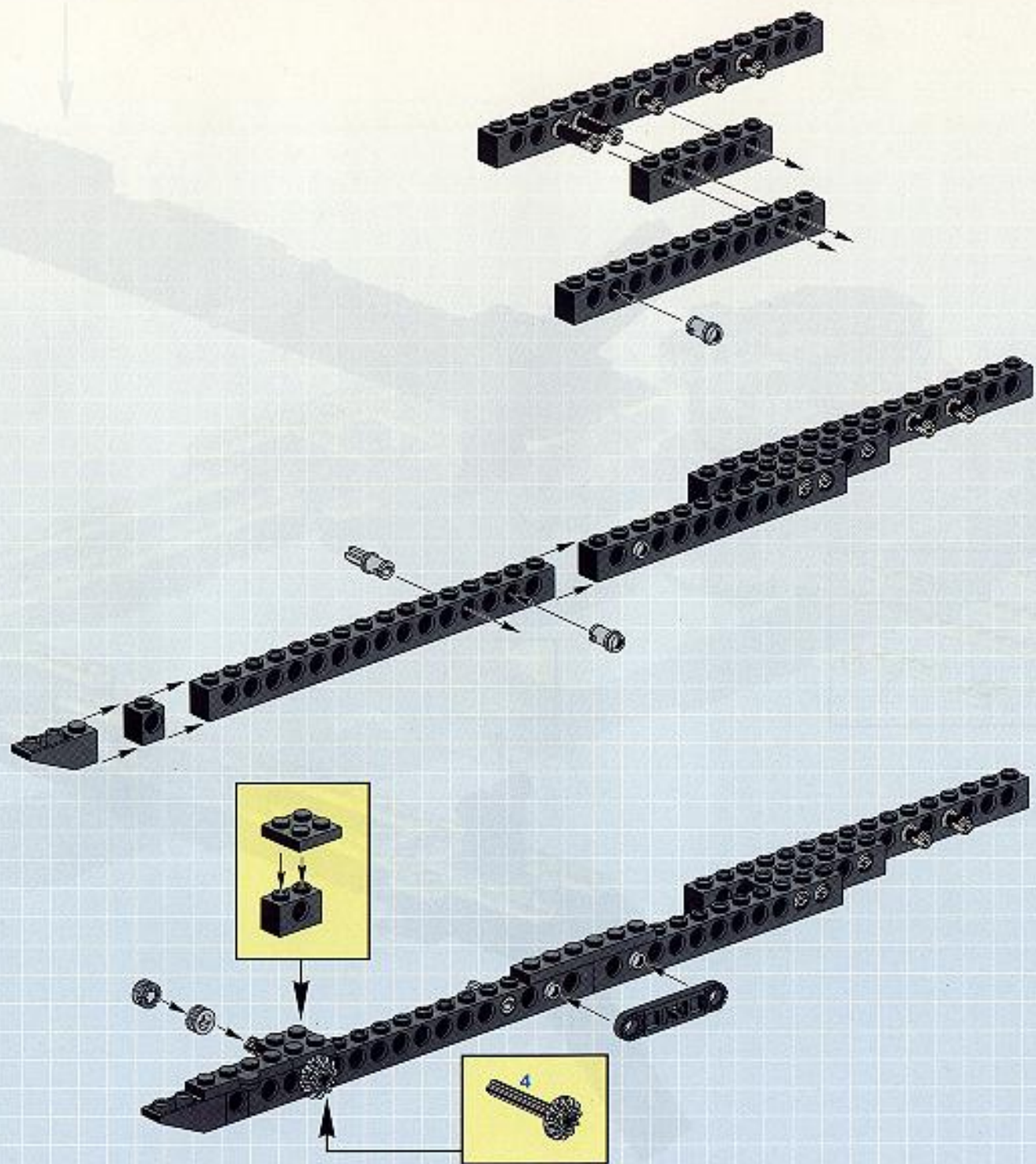
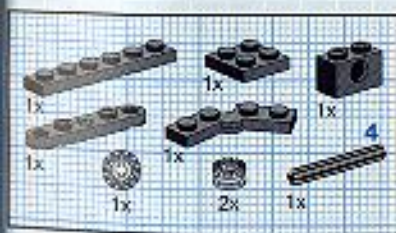
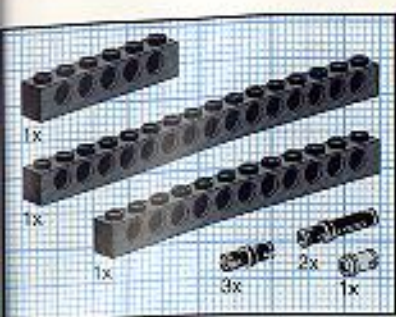


1

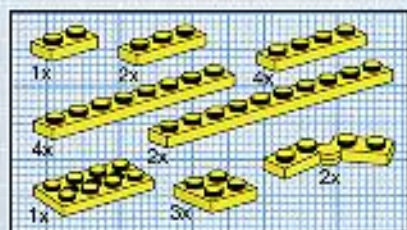
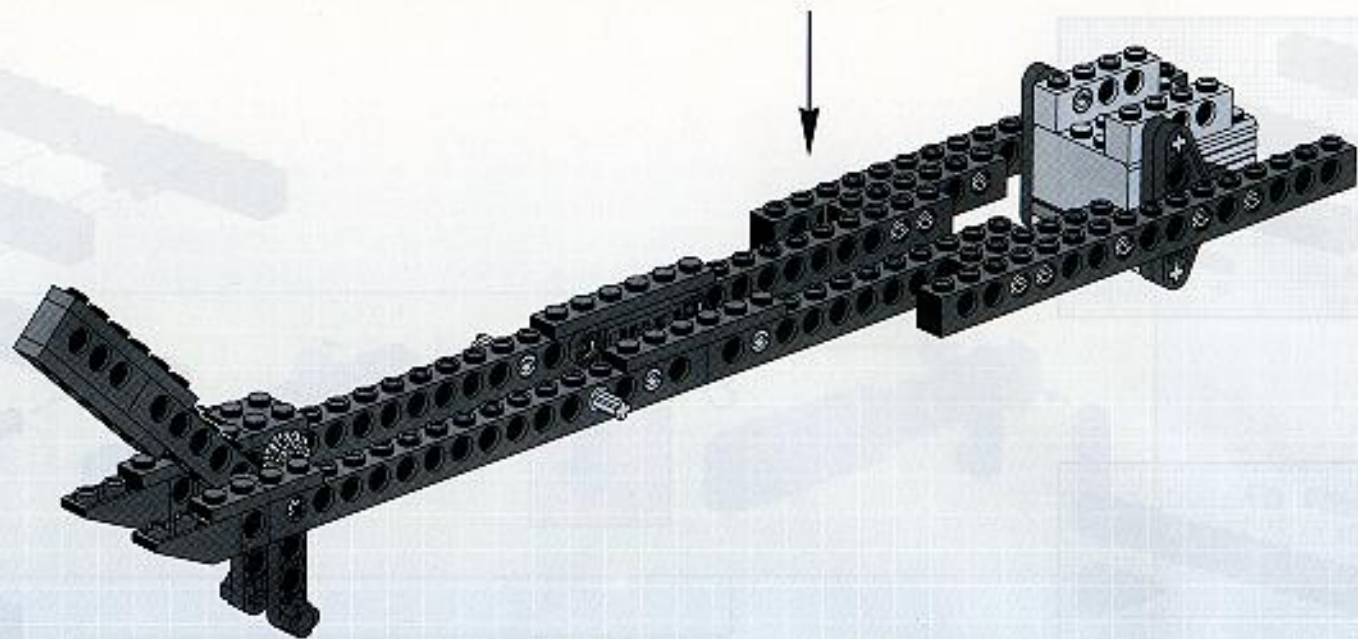


2

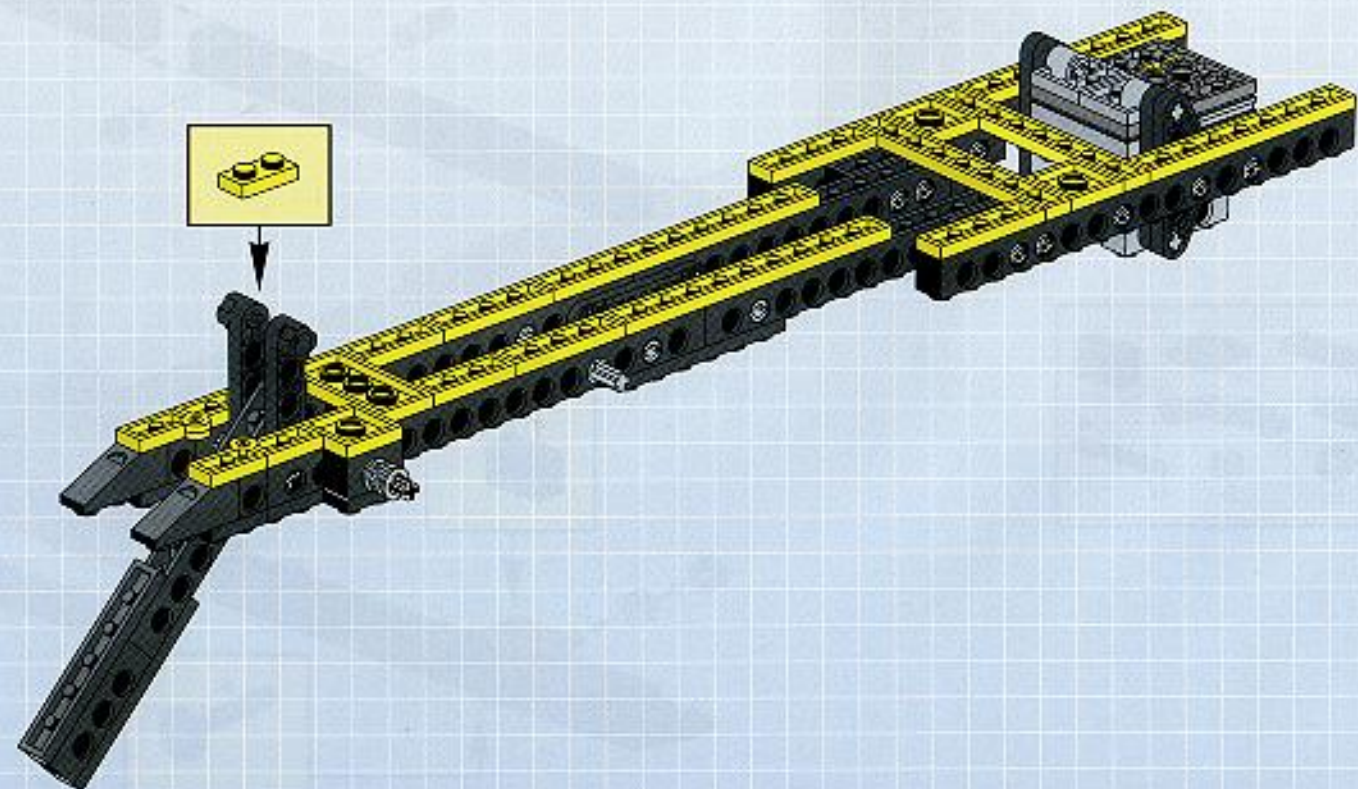




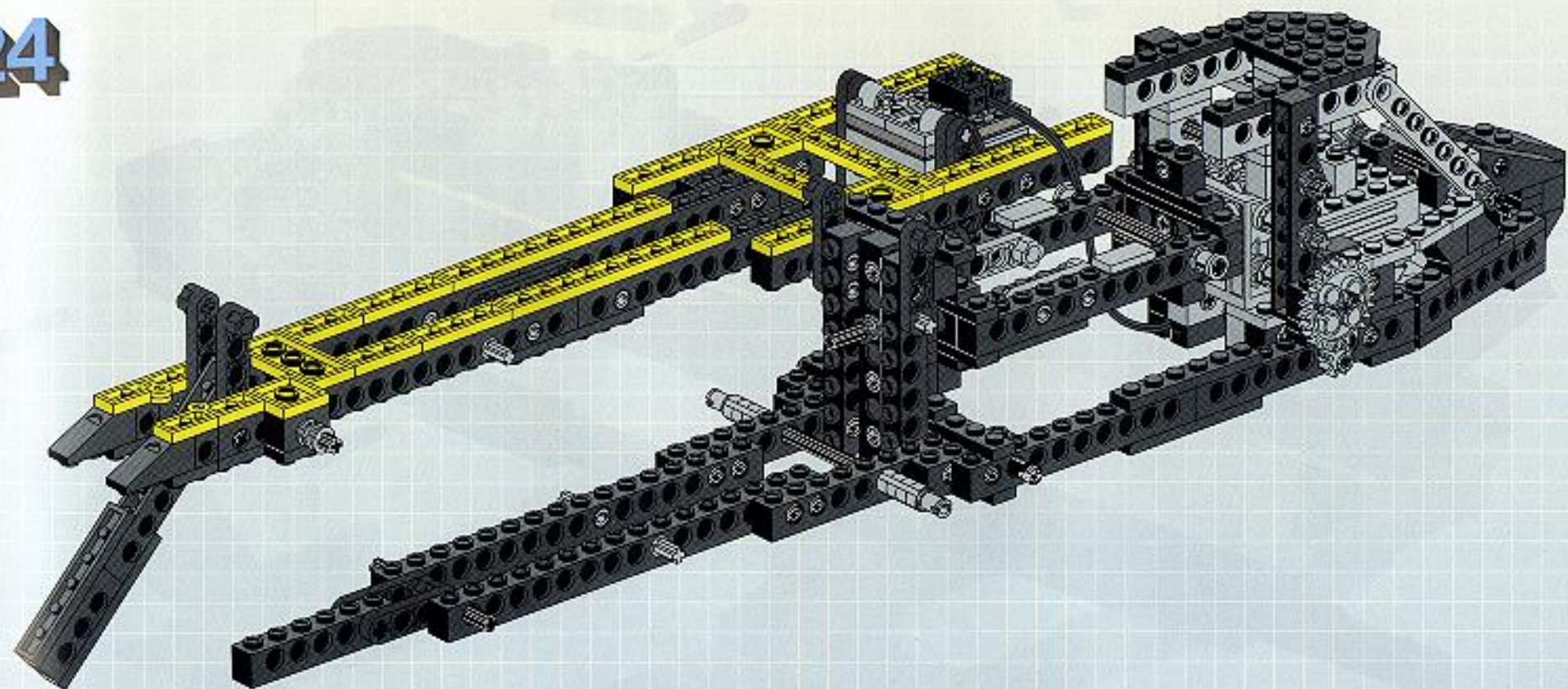
6

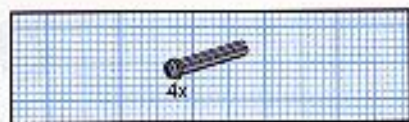


7

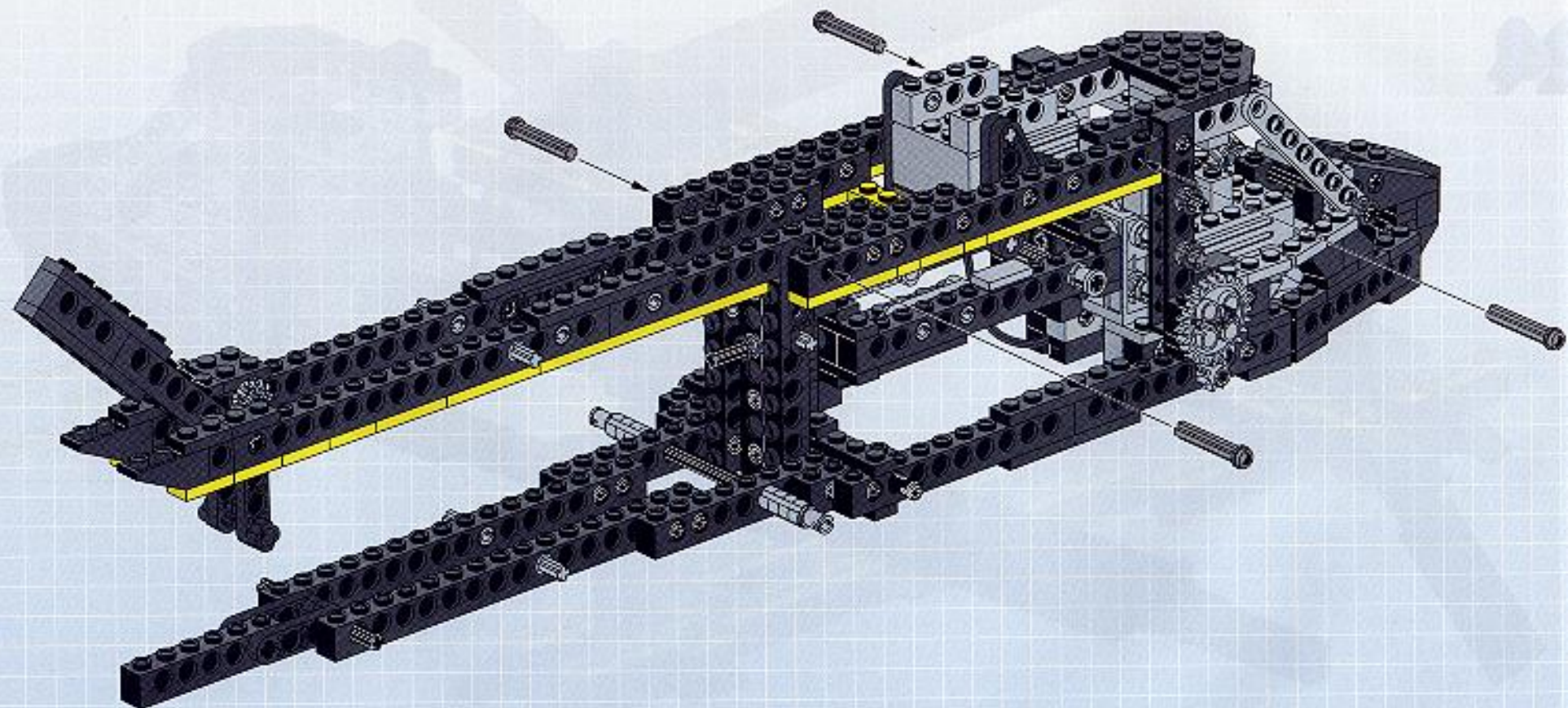


24

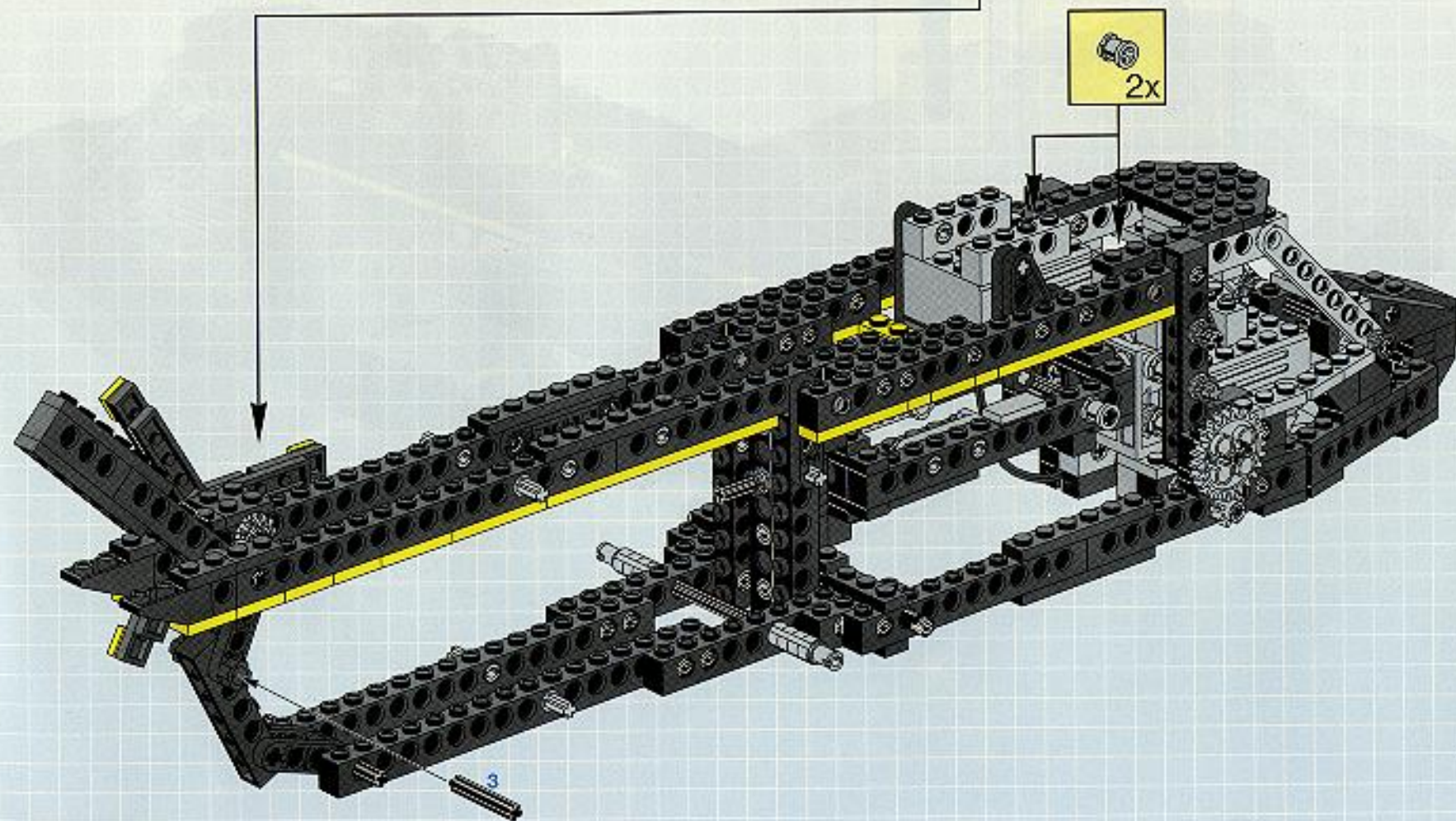
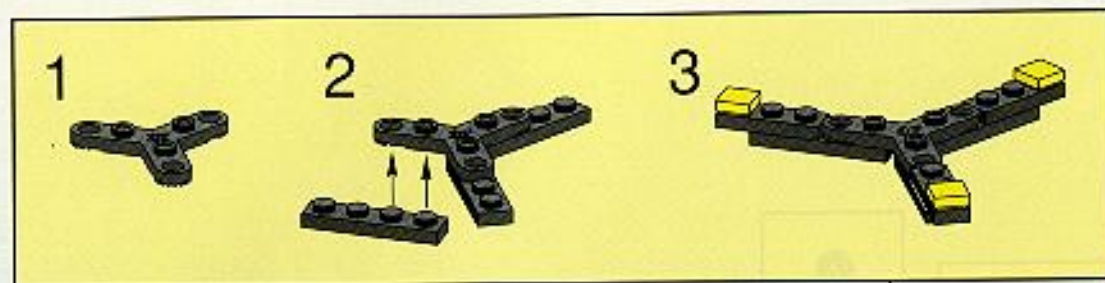
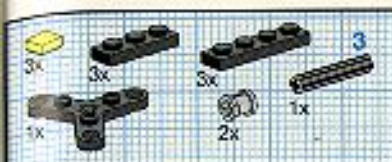




25

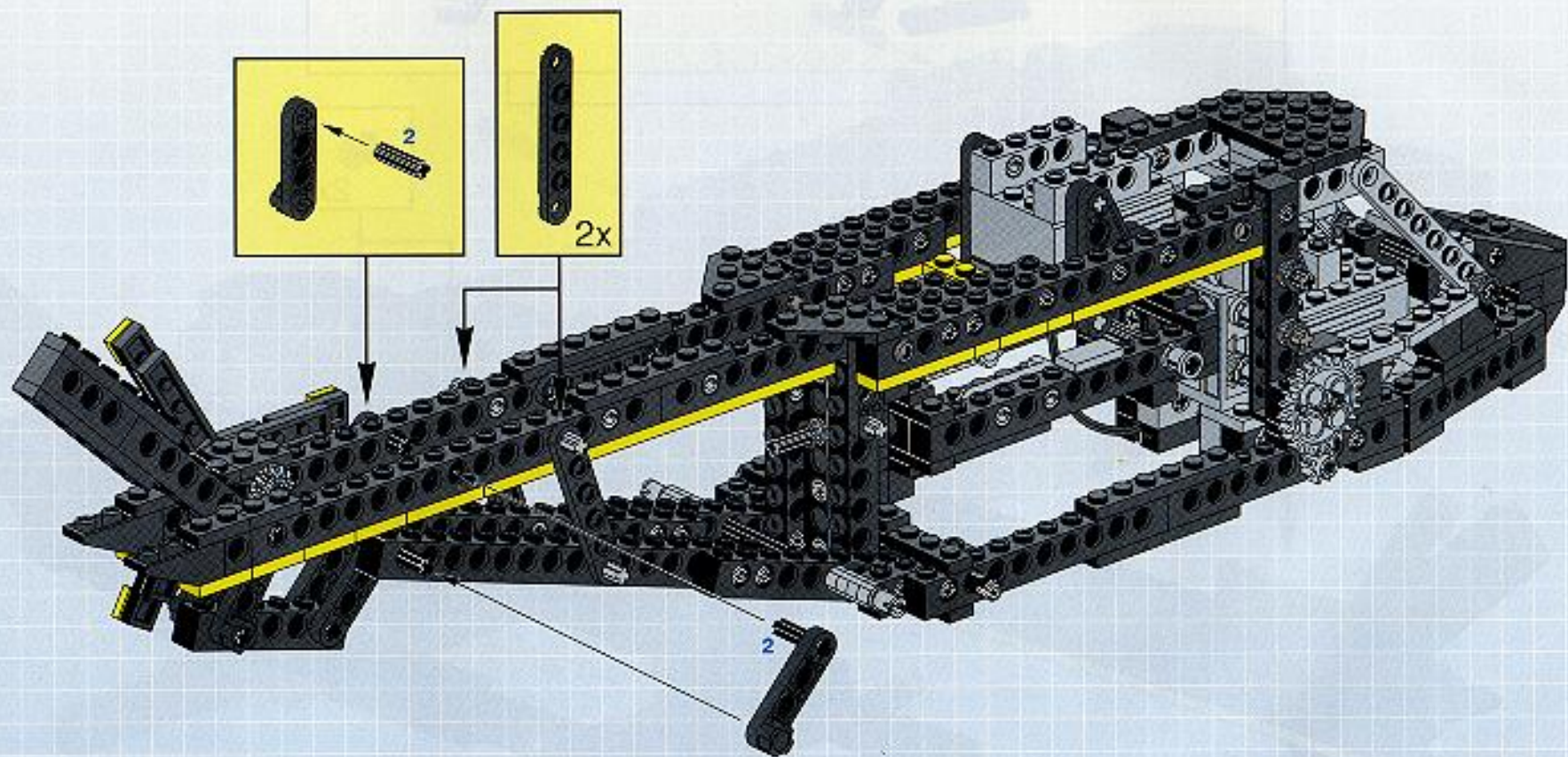


26

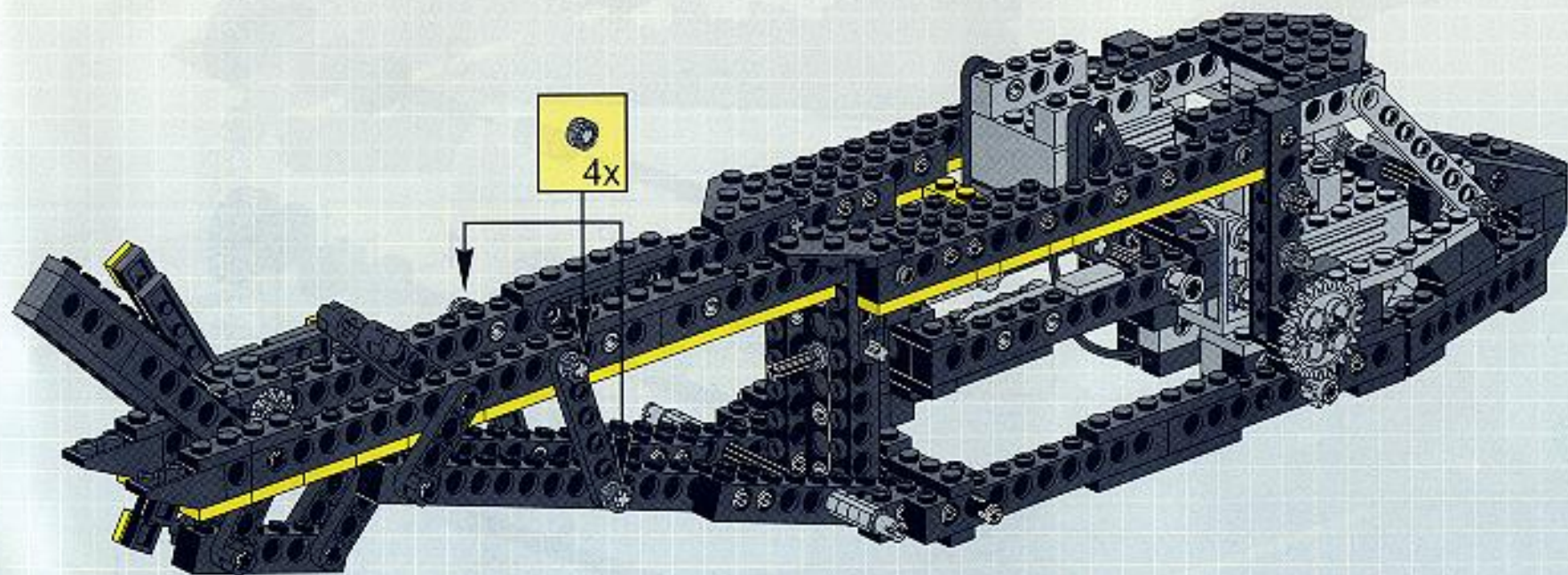
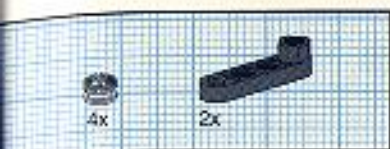


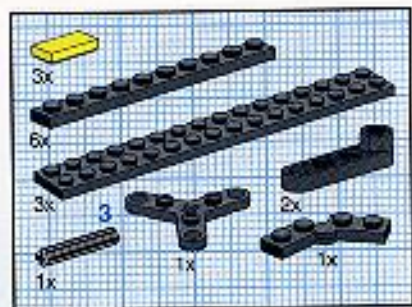


27

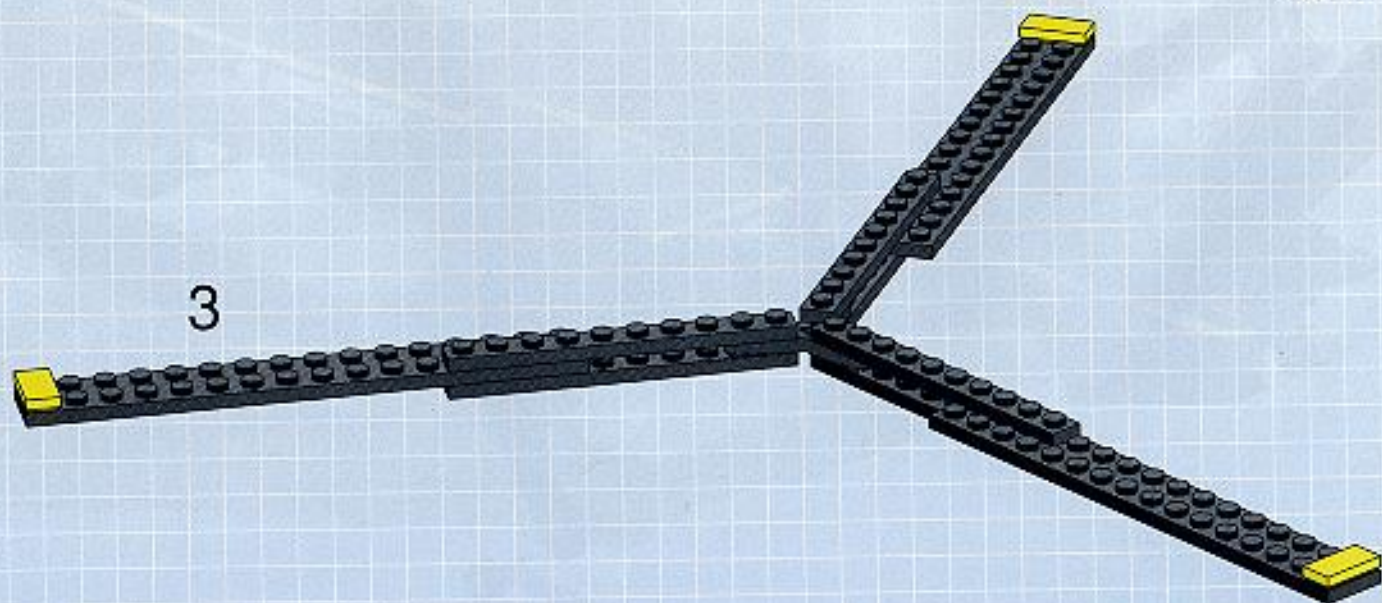
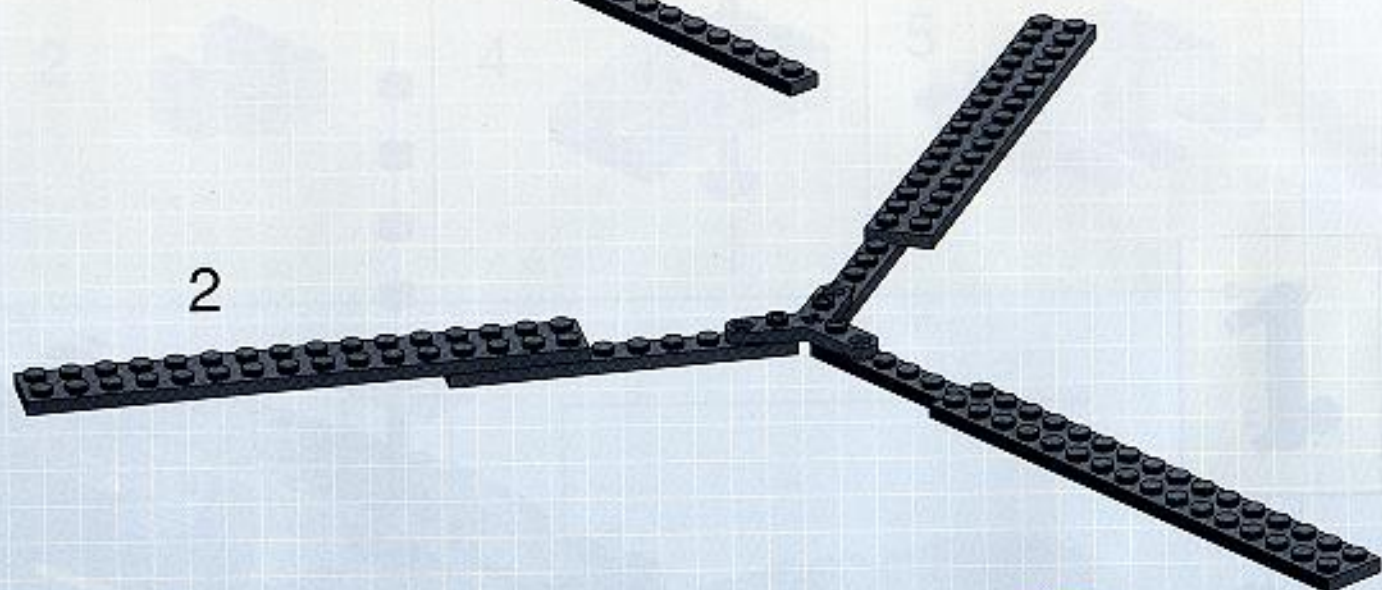
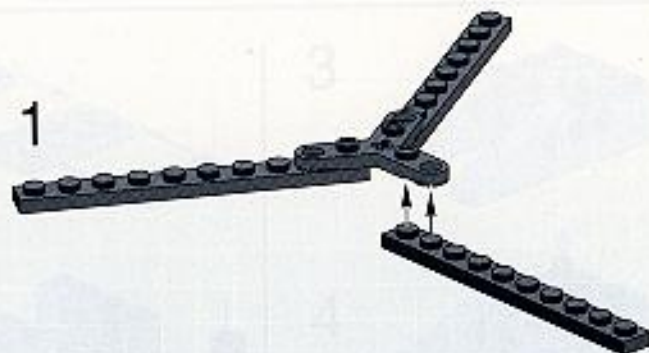


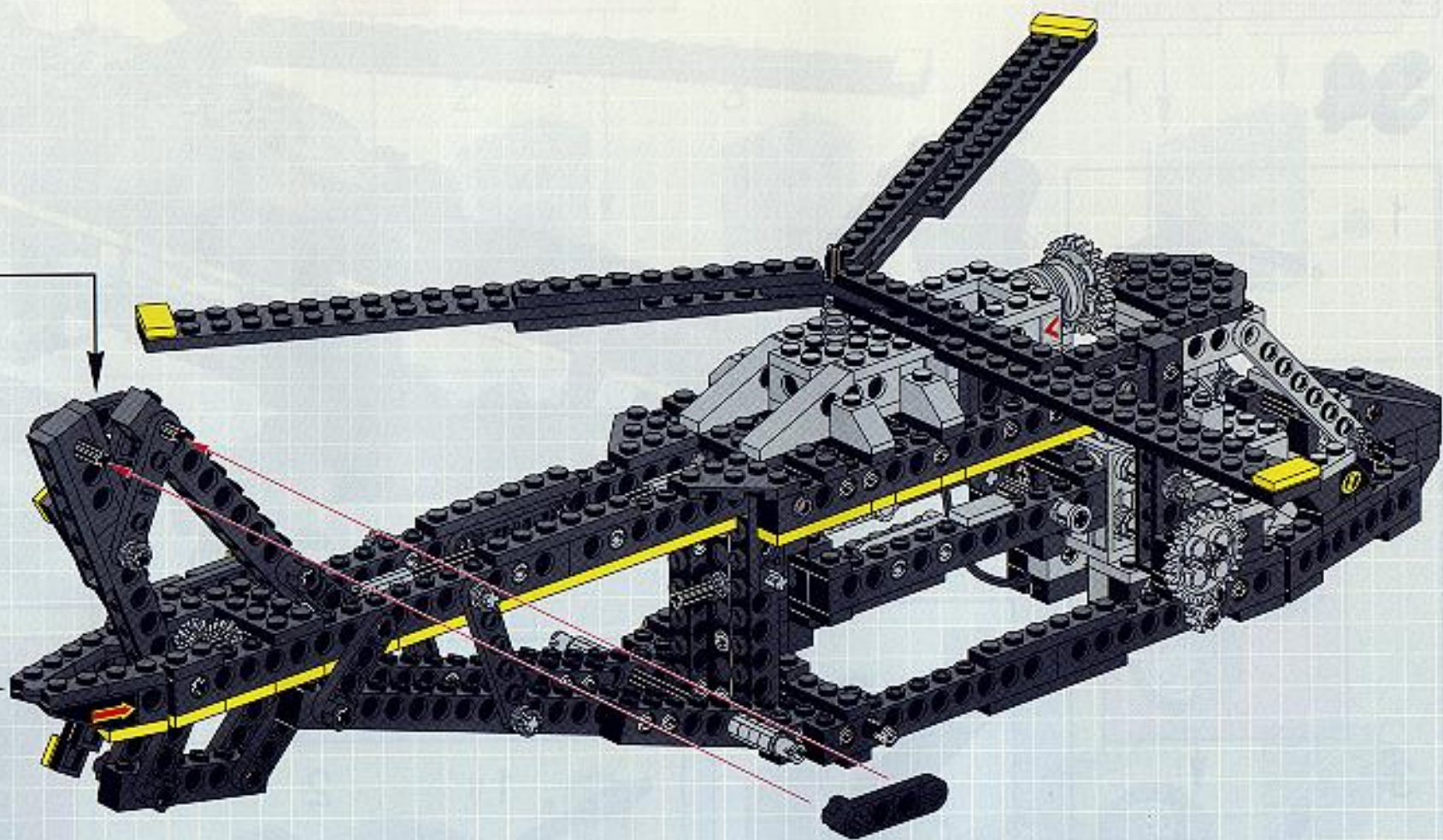
28

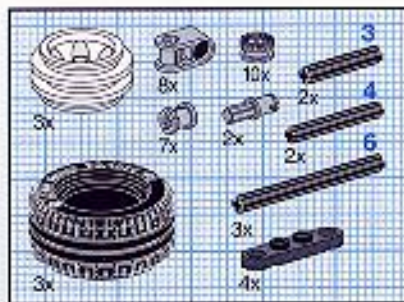




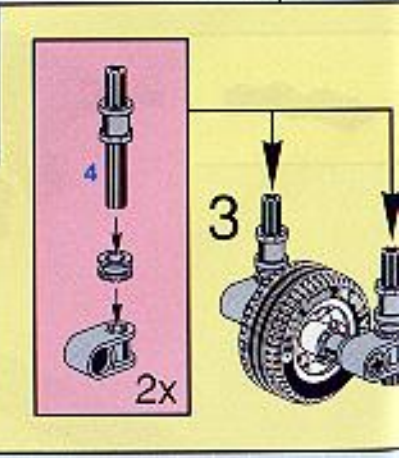
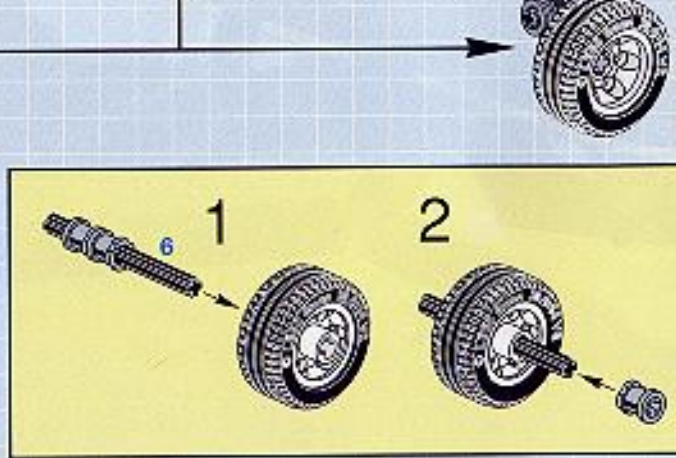
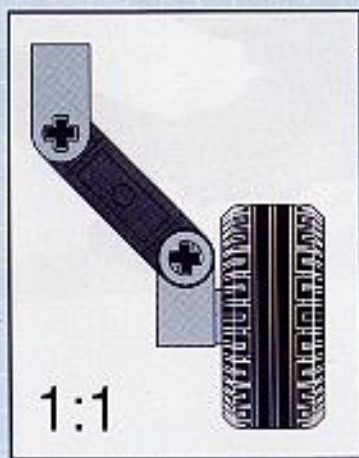
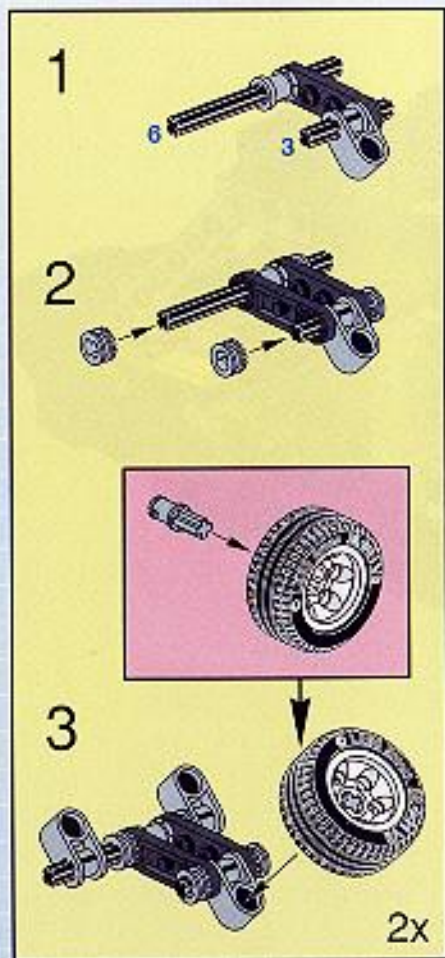
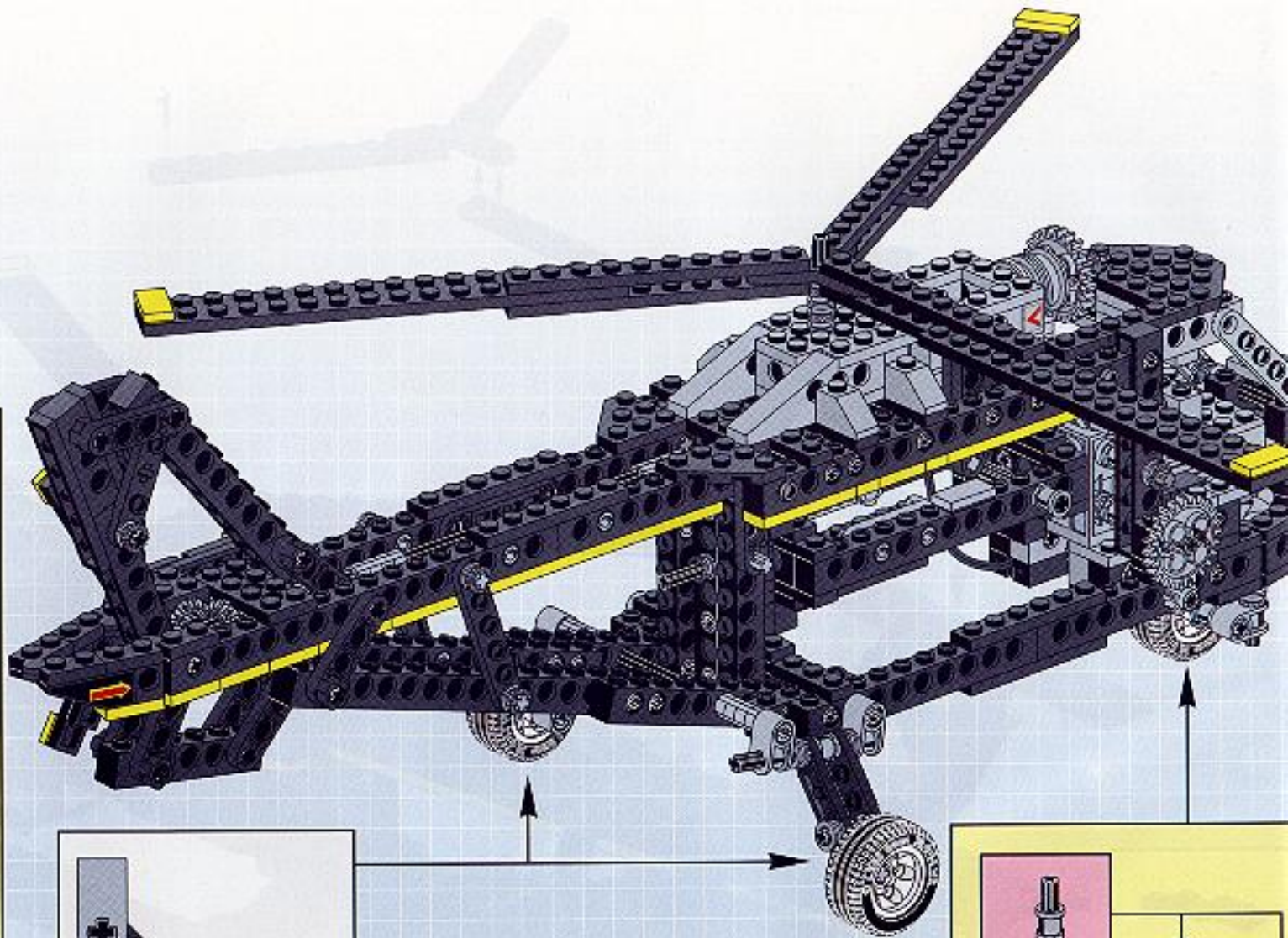
33

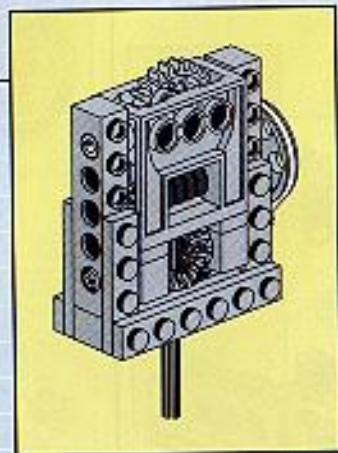
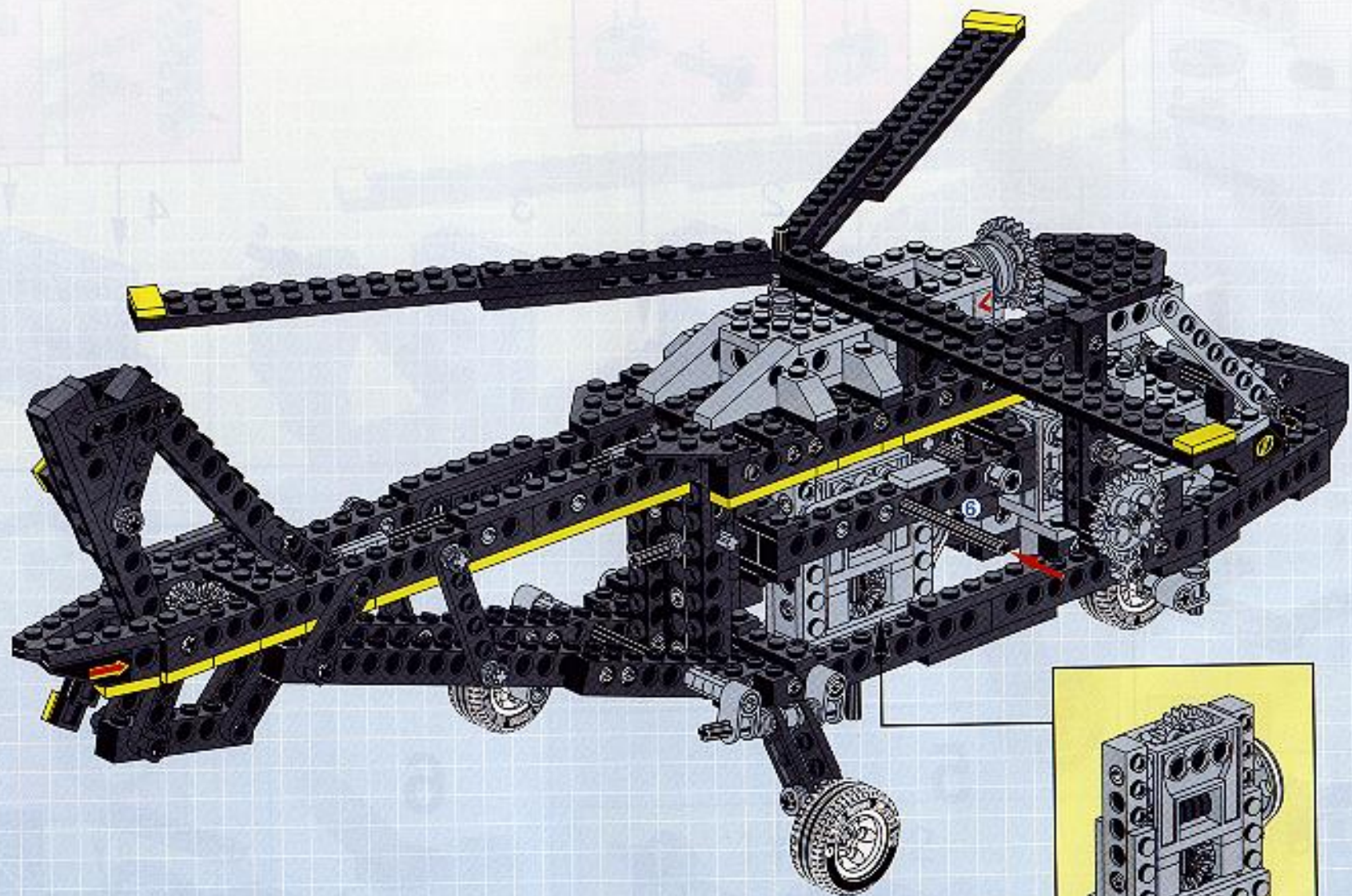


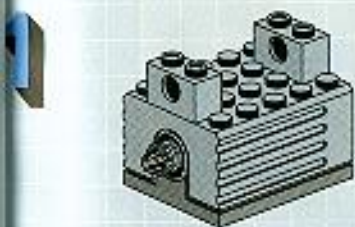
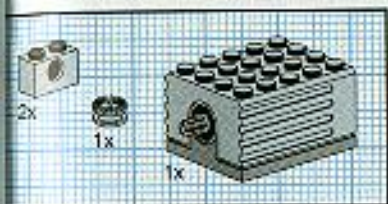
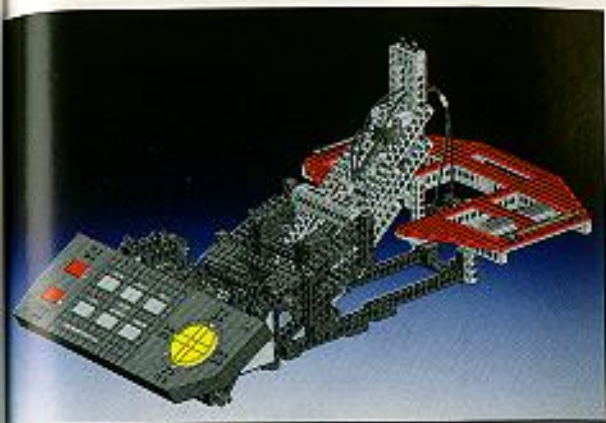




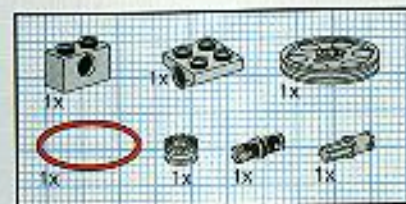
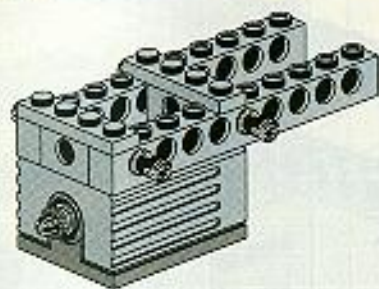
34



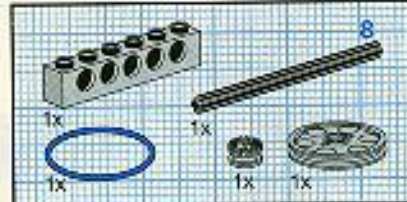
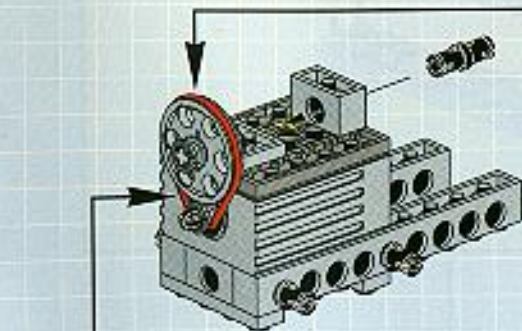
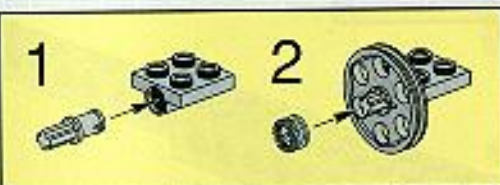




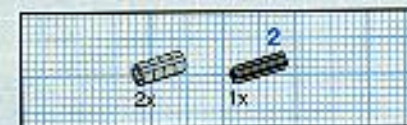
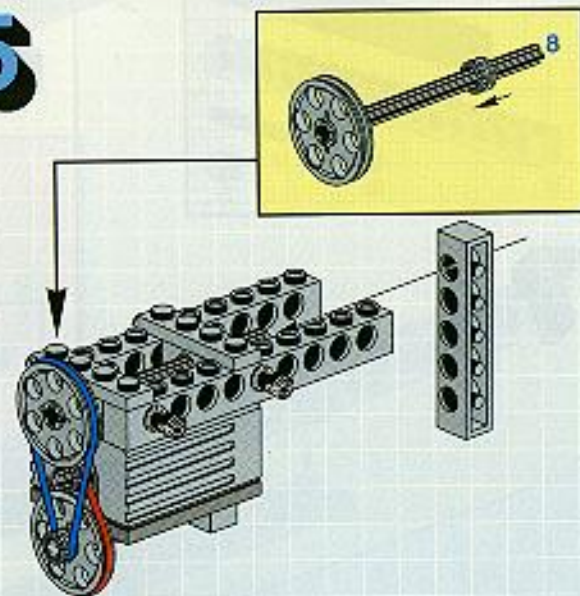
3



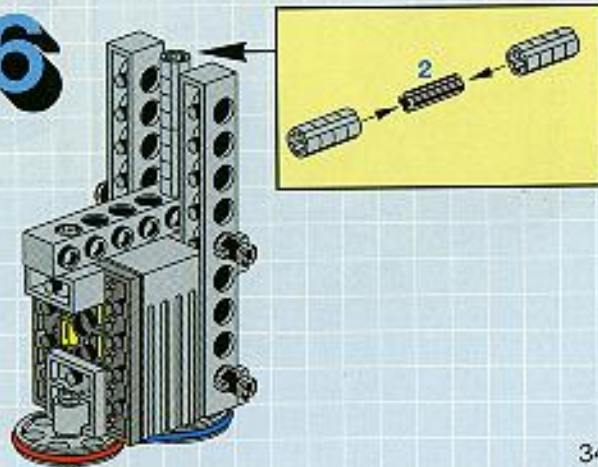
4

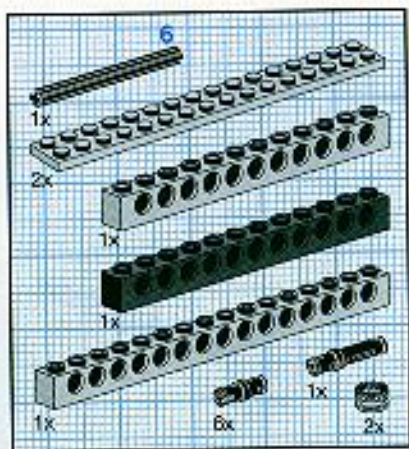


5

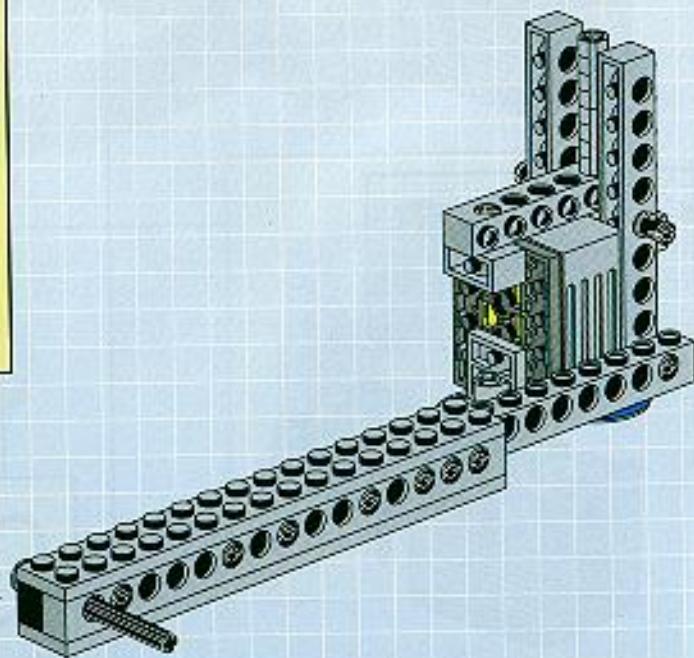
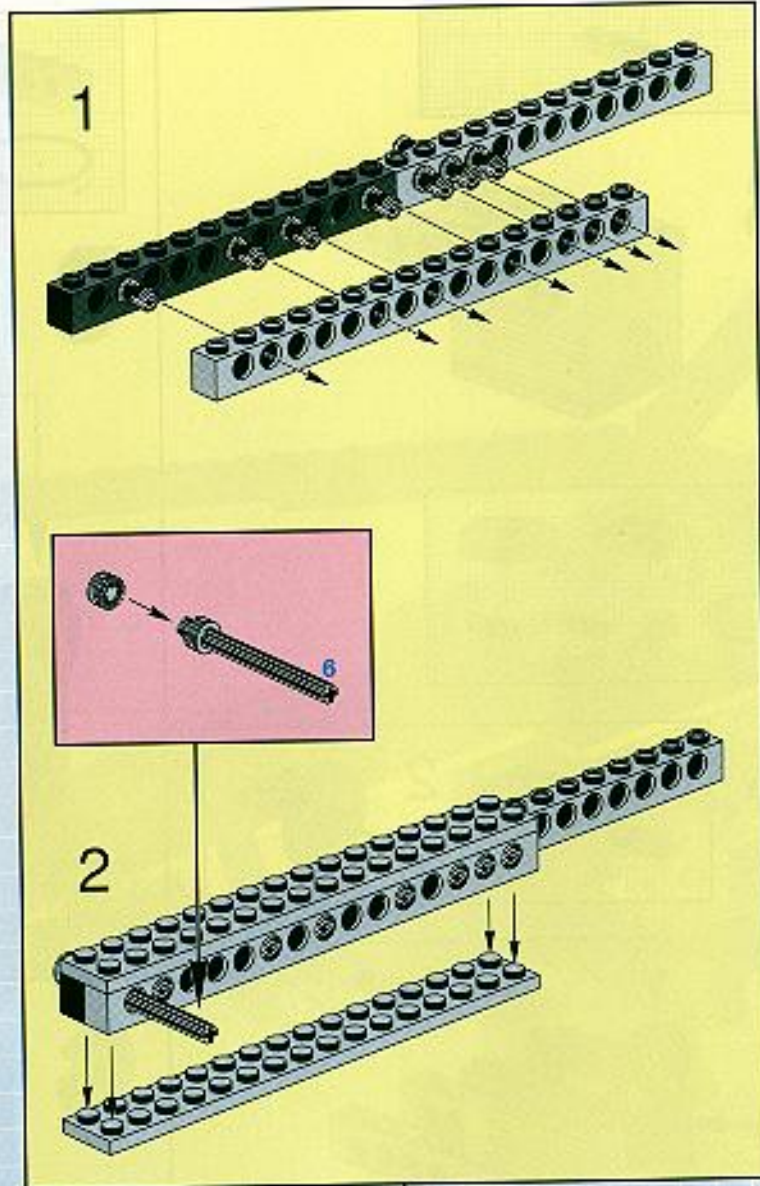


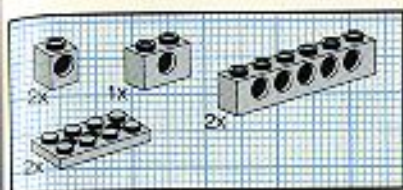
6



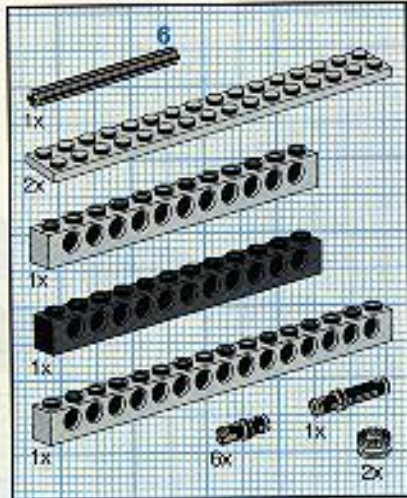
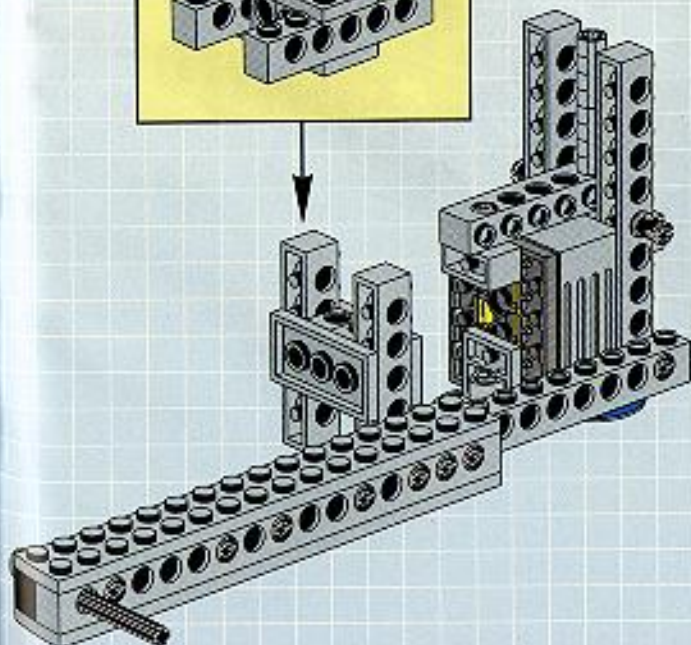
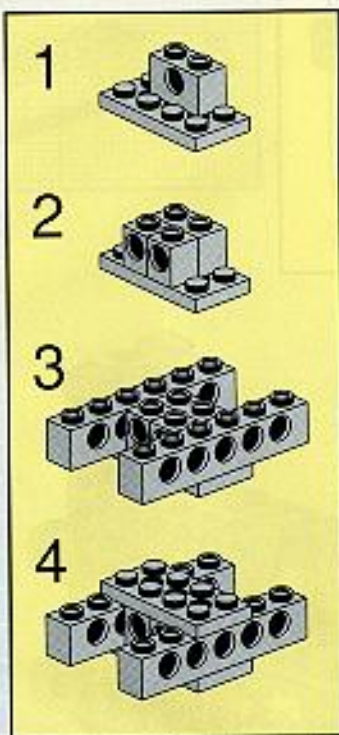


7

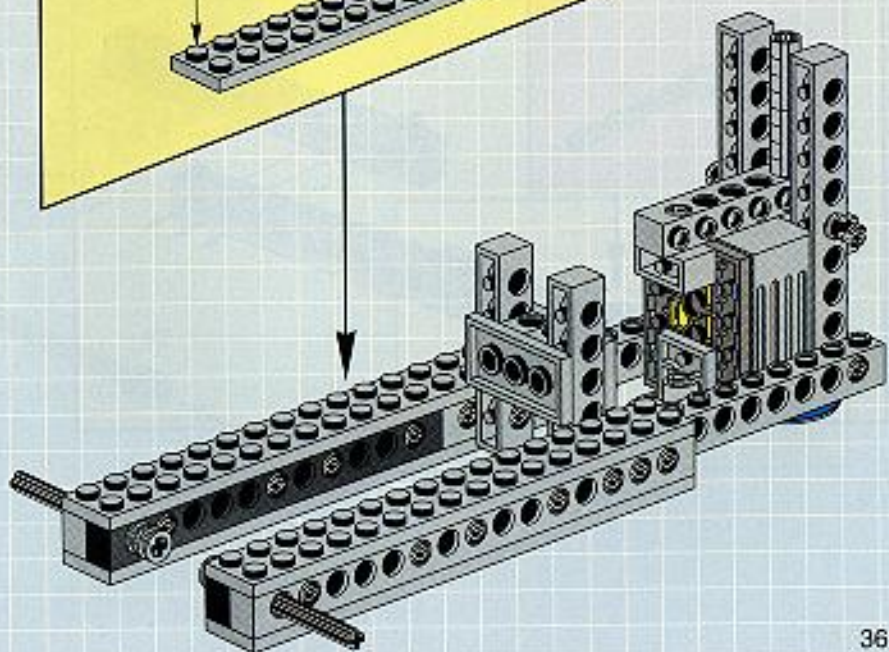
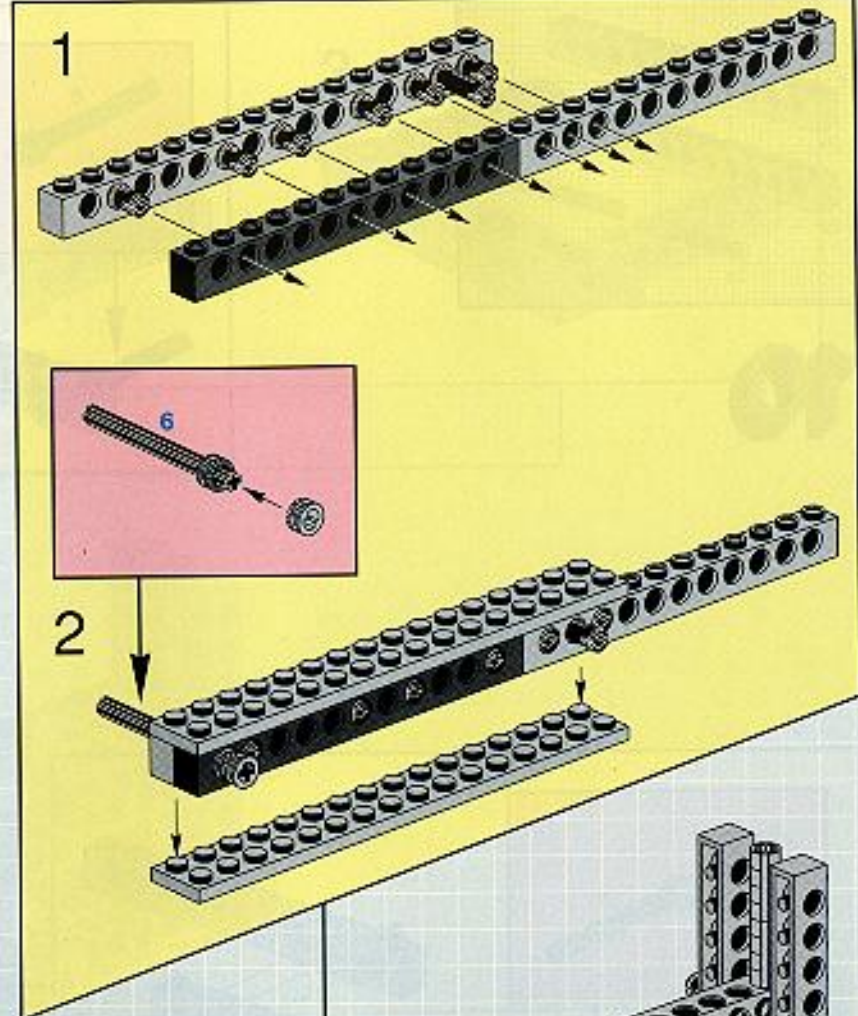




8

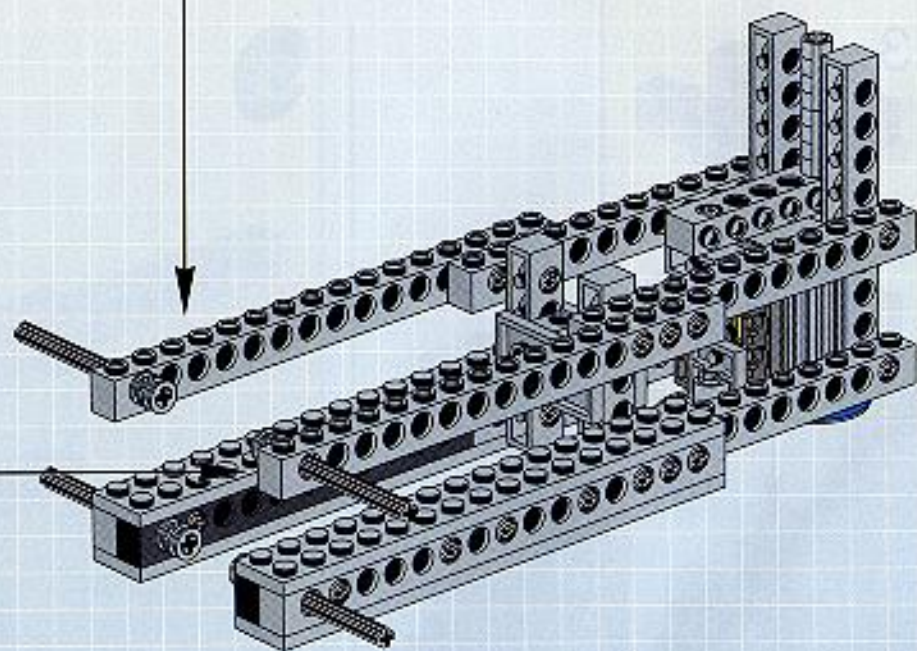
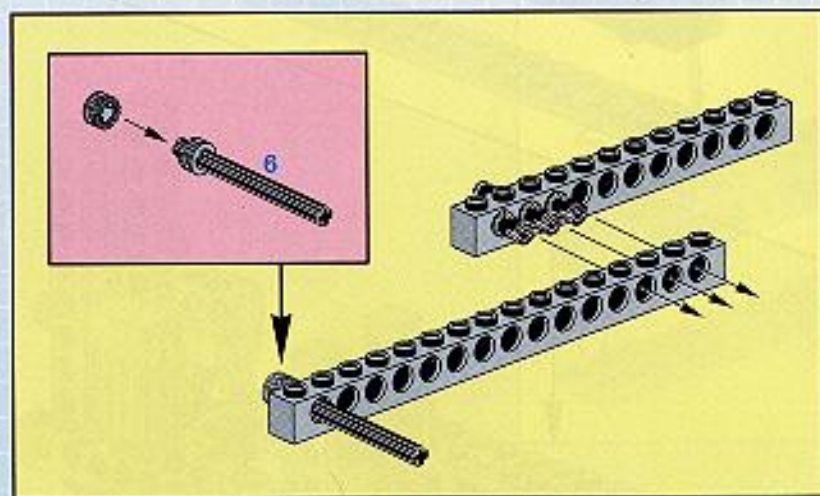
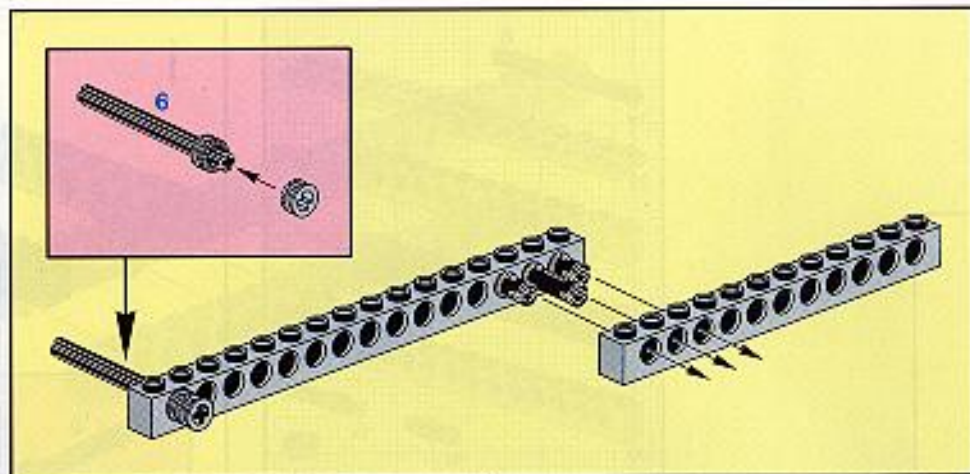


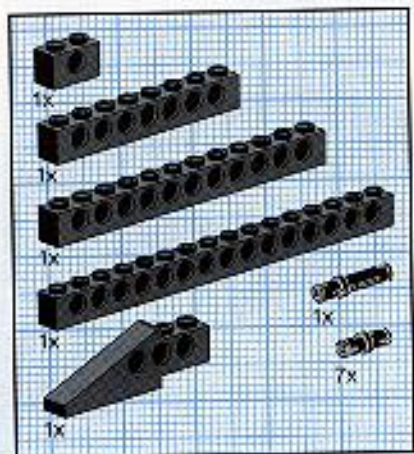
9



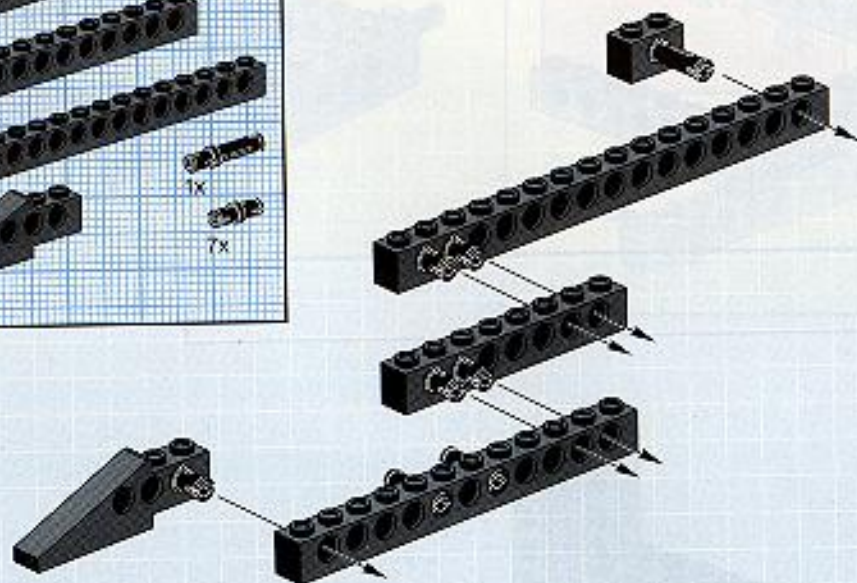


10

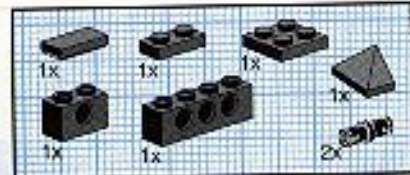
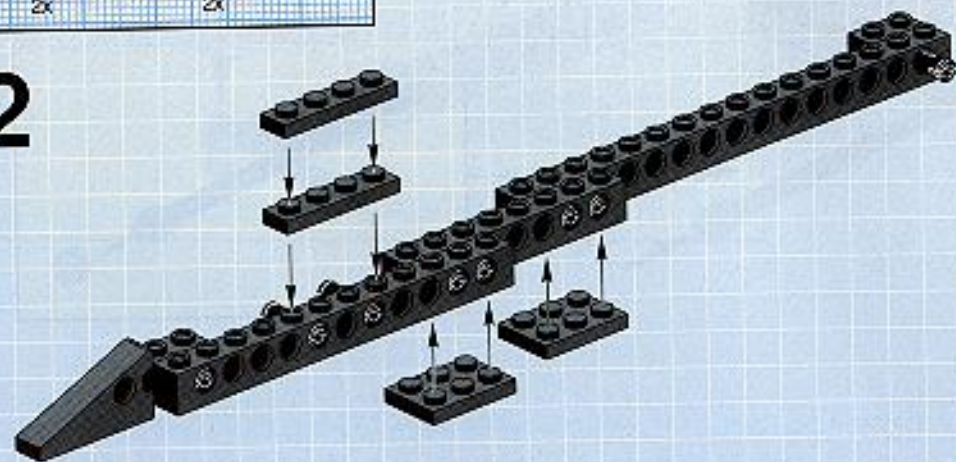




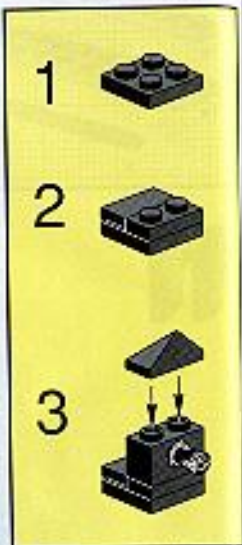
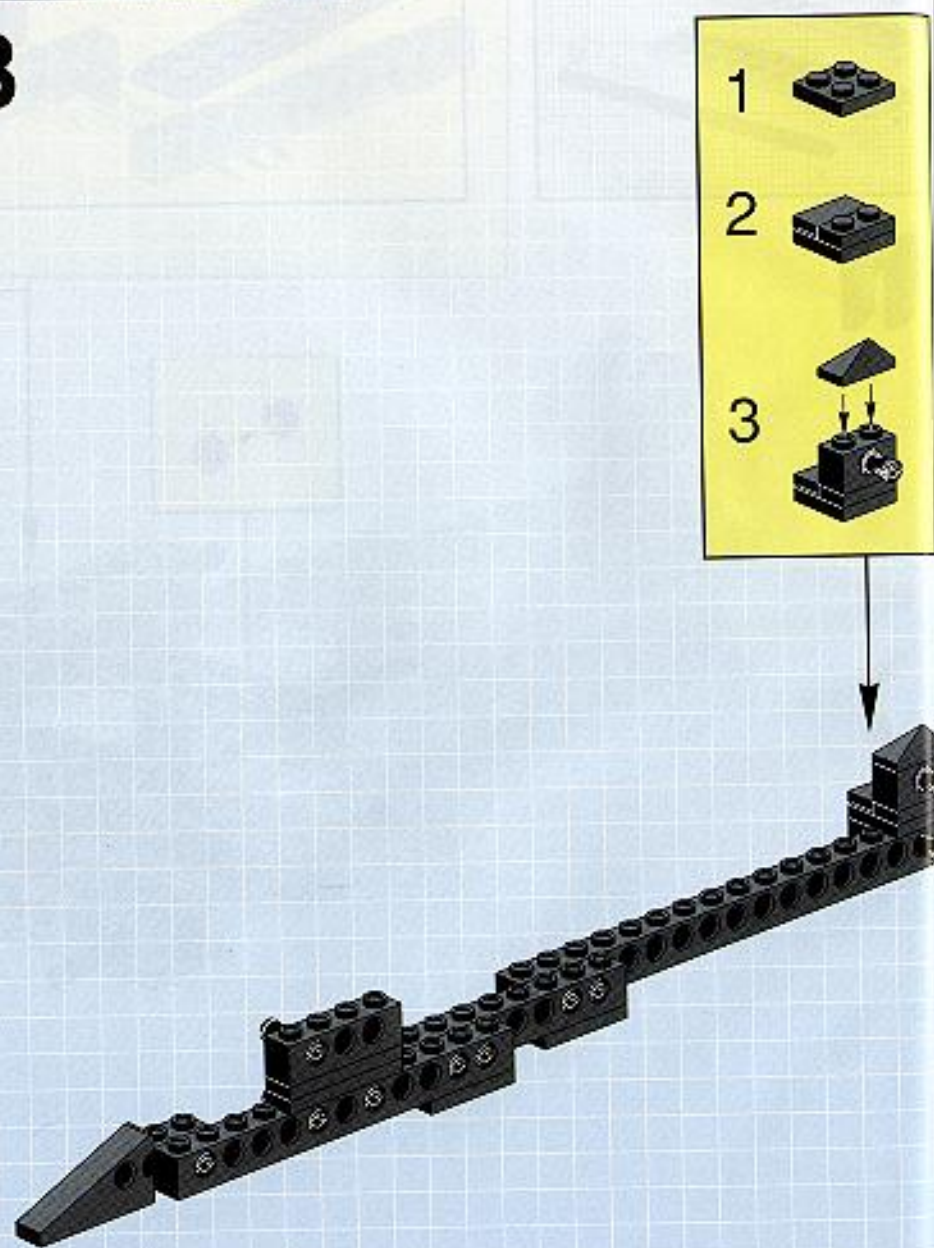
1



2

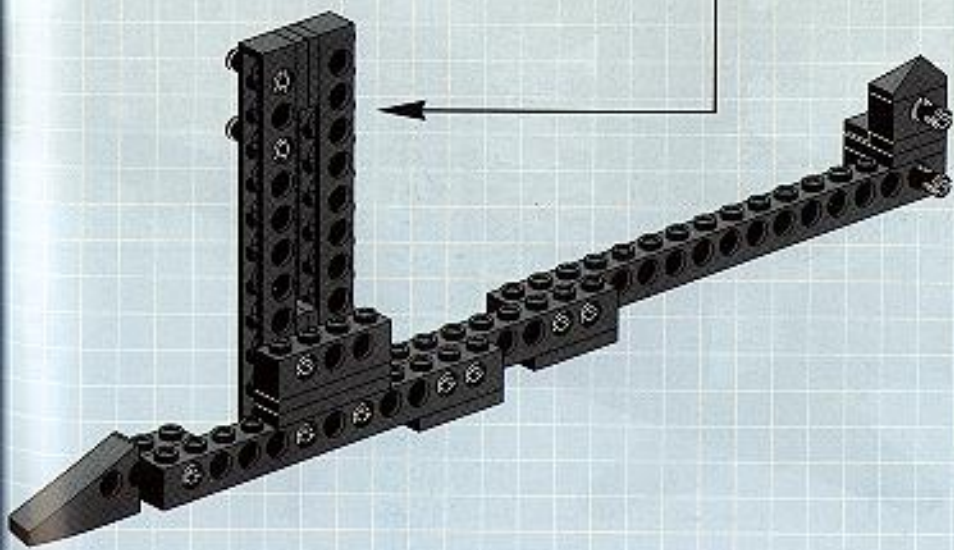
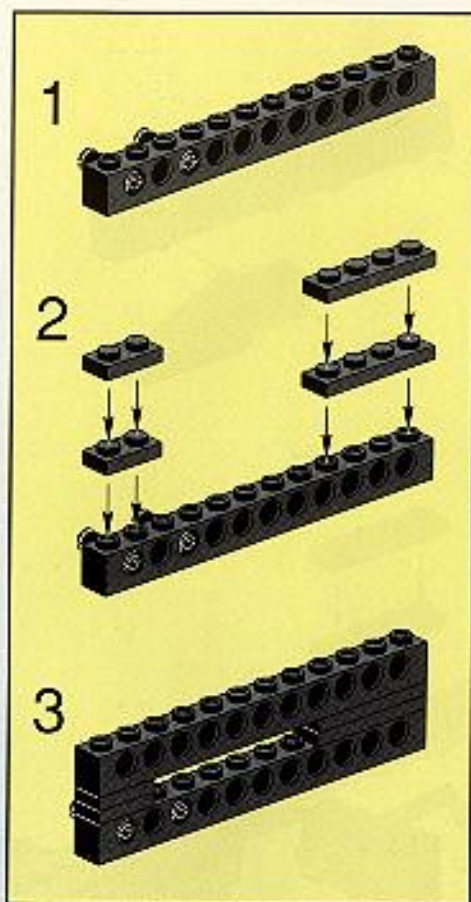


3

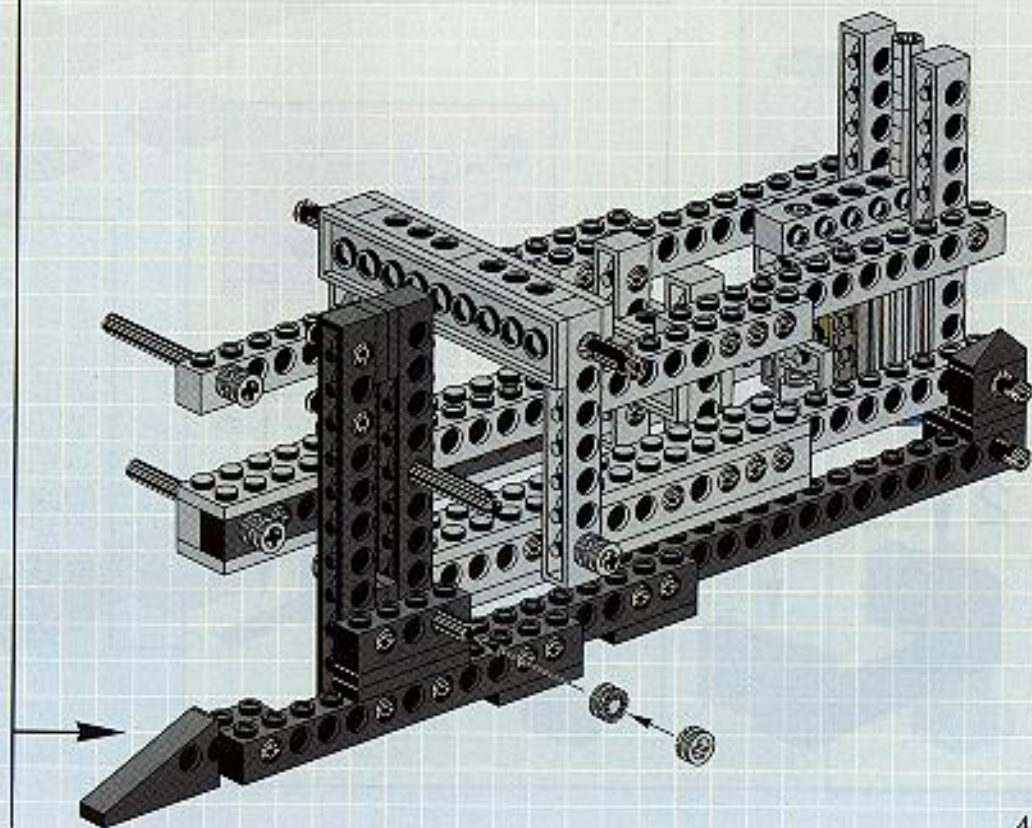


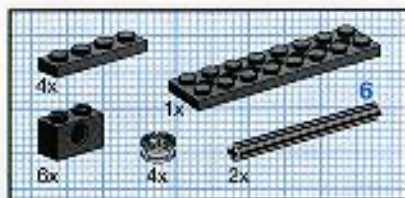


4



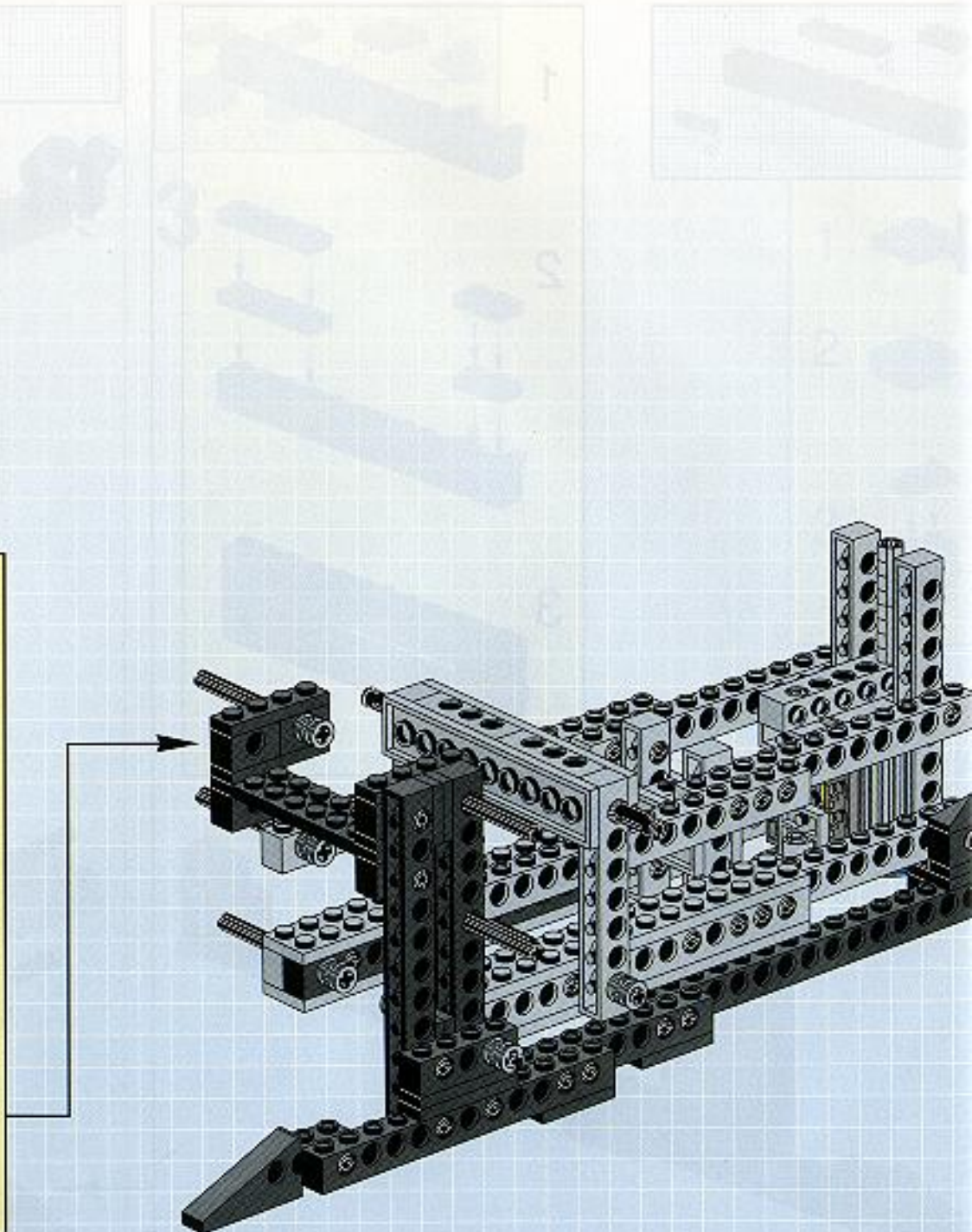
12





13

1





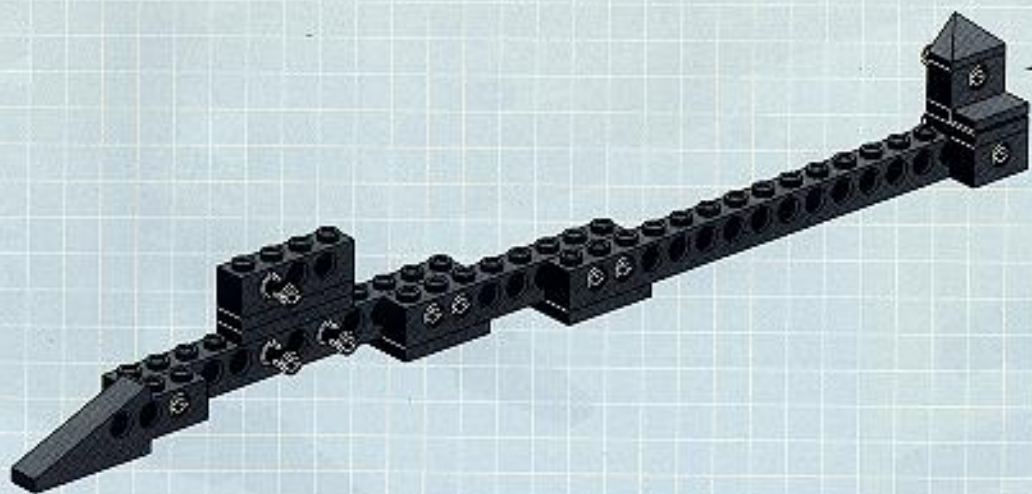
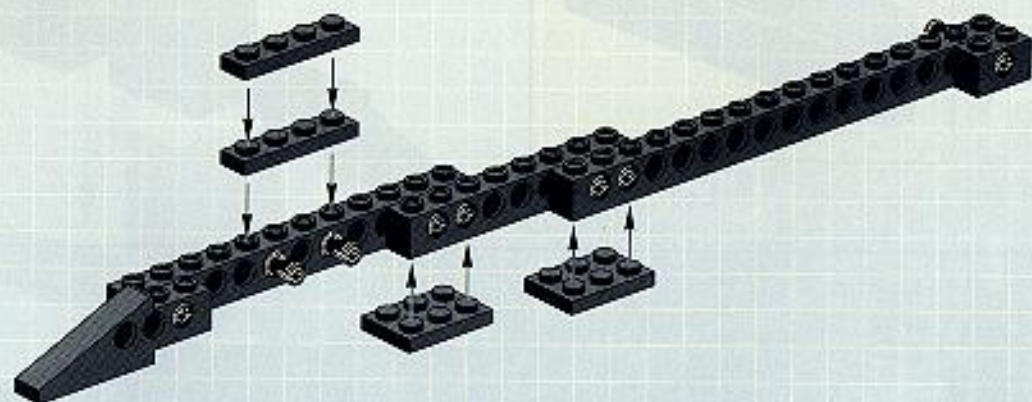
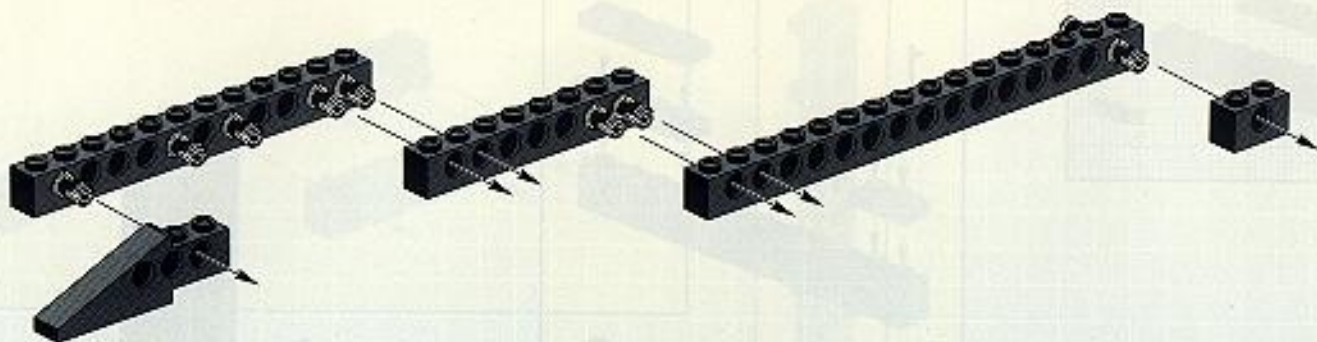
1

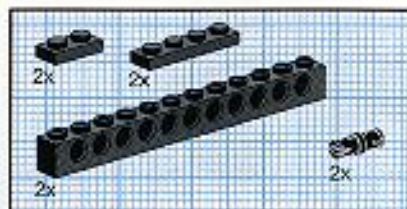


2

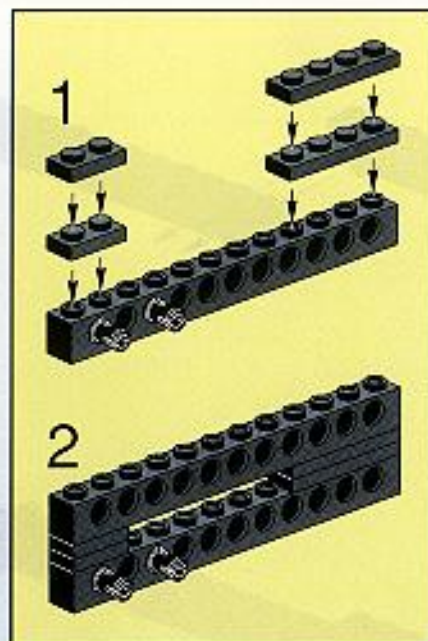


3

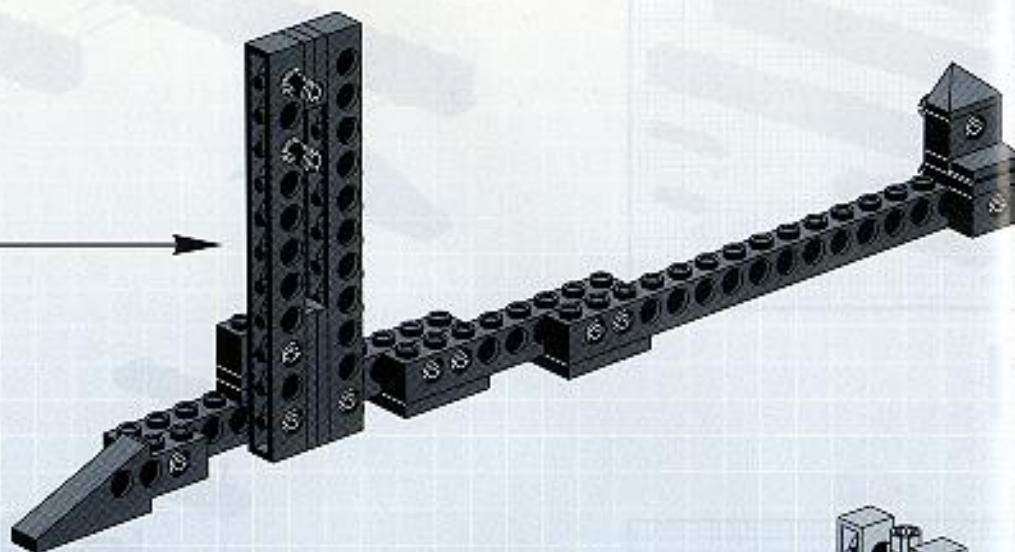




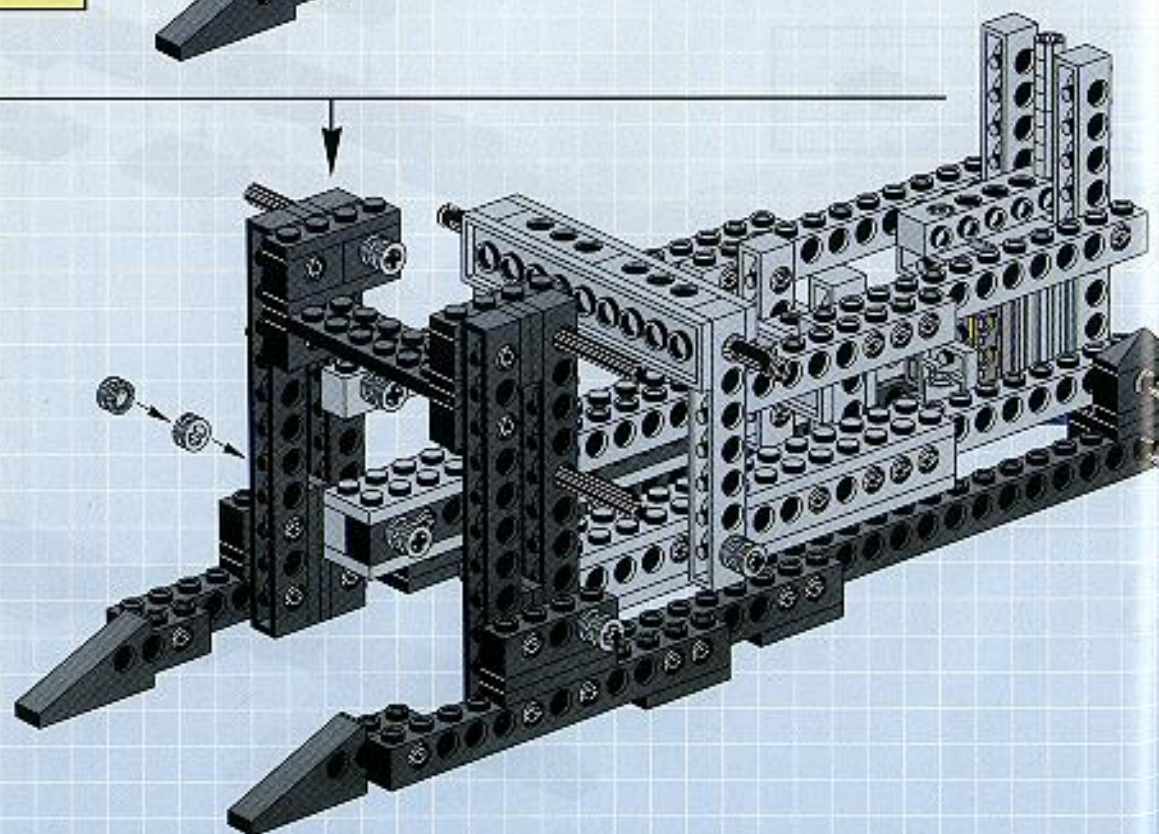
4



2

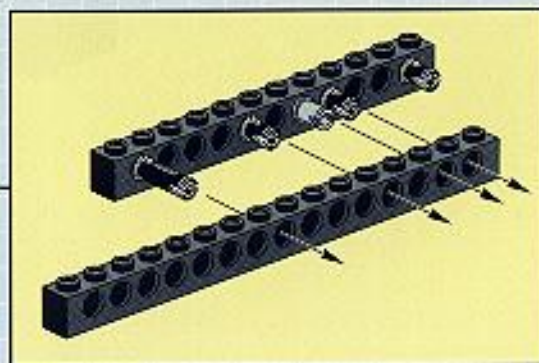
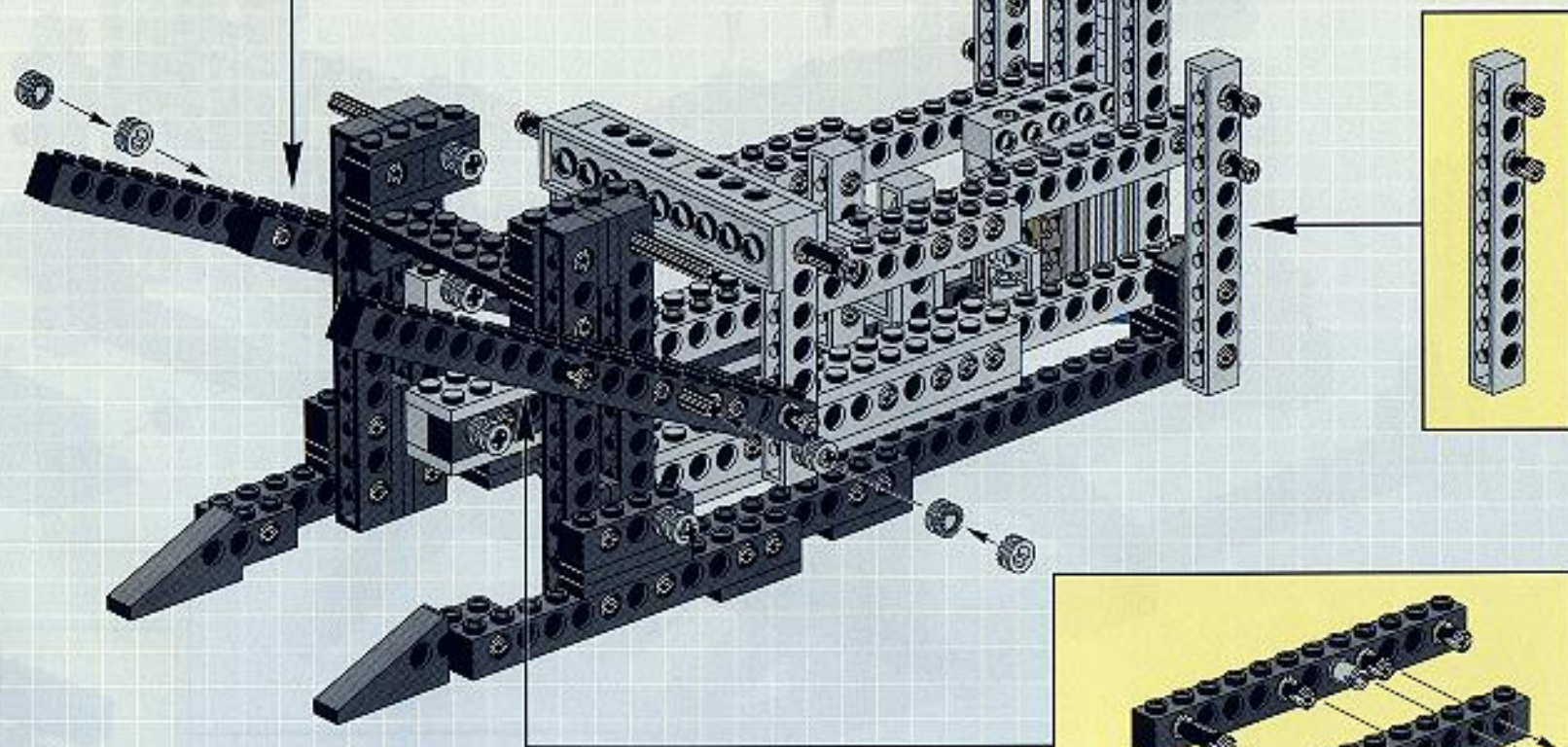
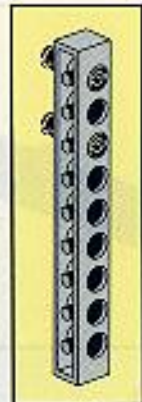
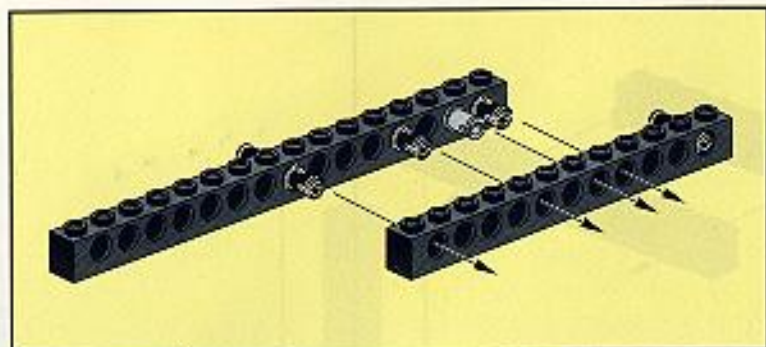


14



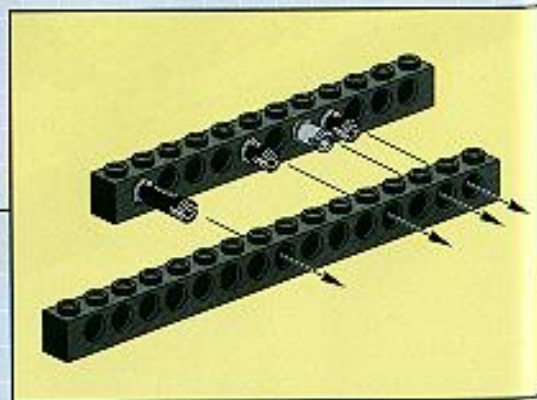
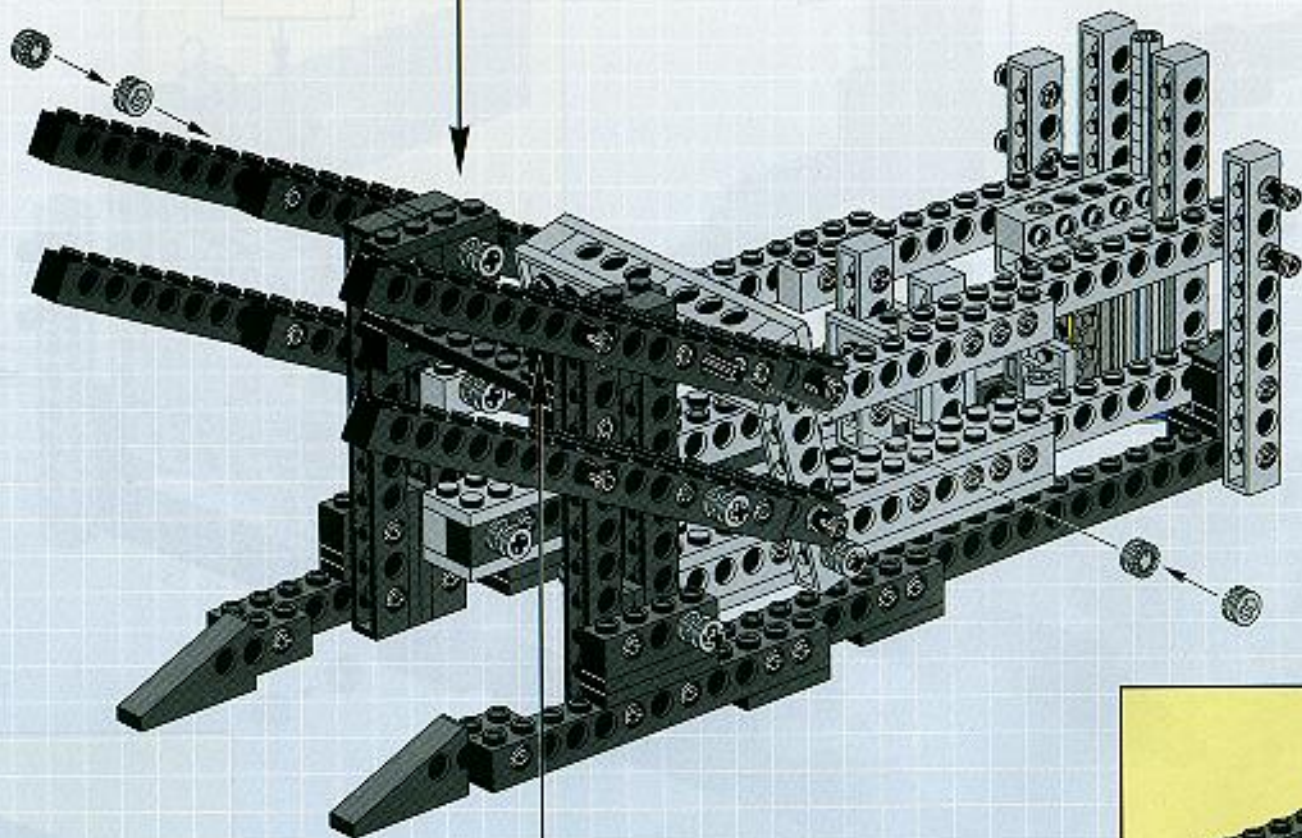
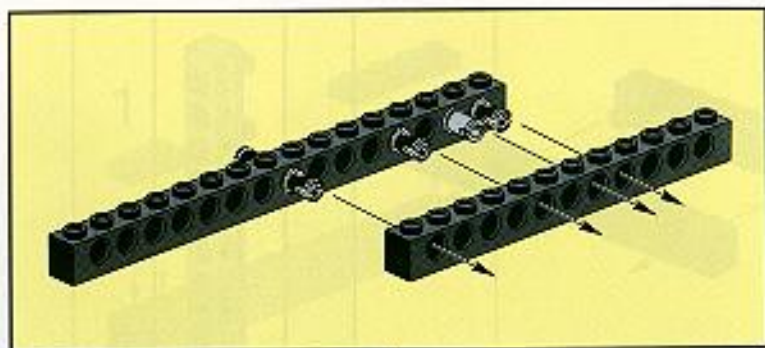


15



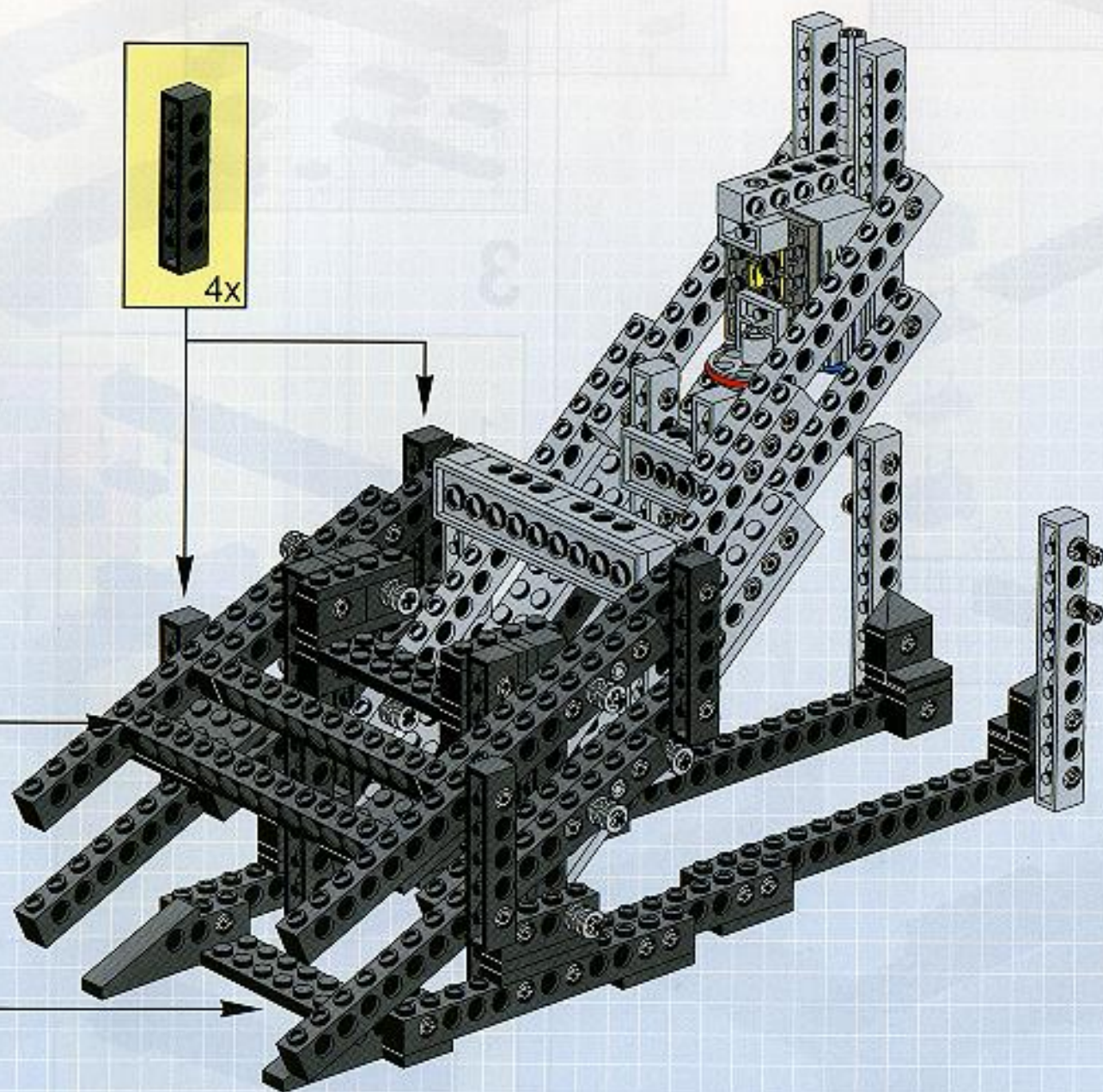
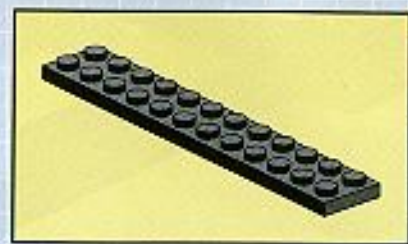
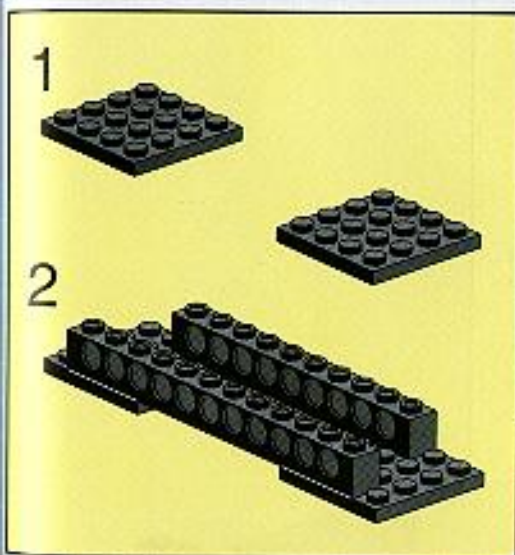


16



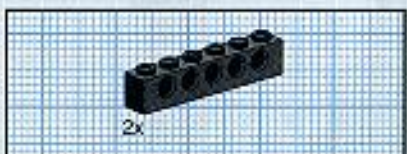
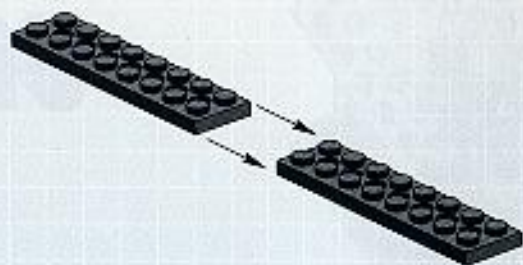


17

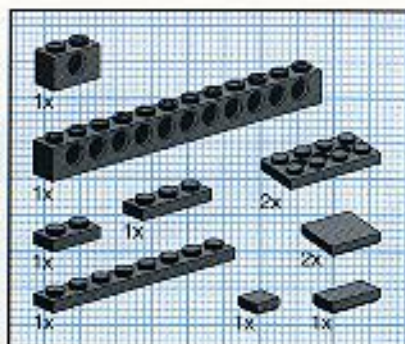
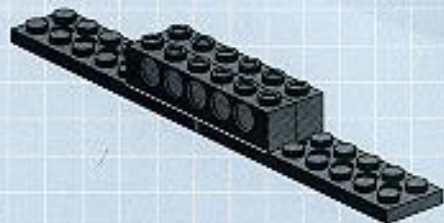




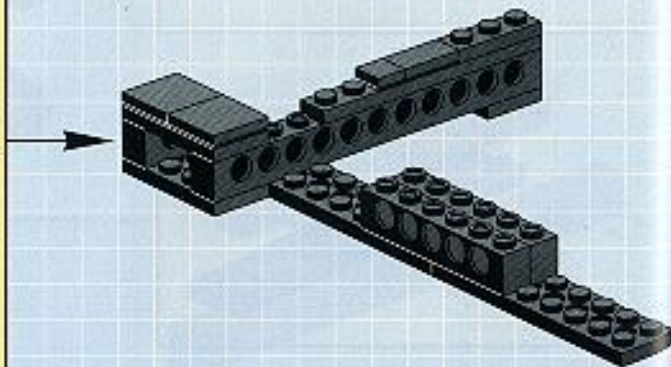
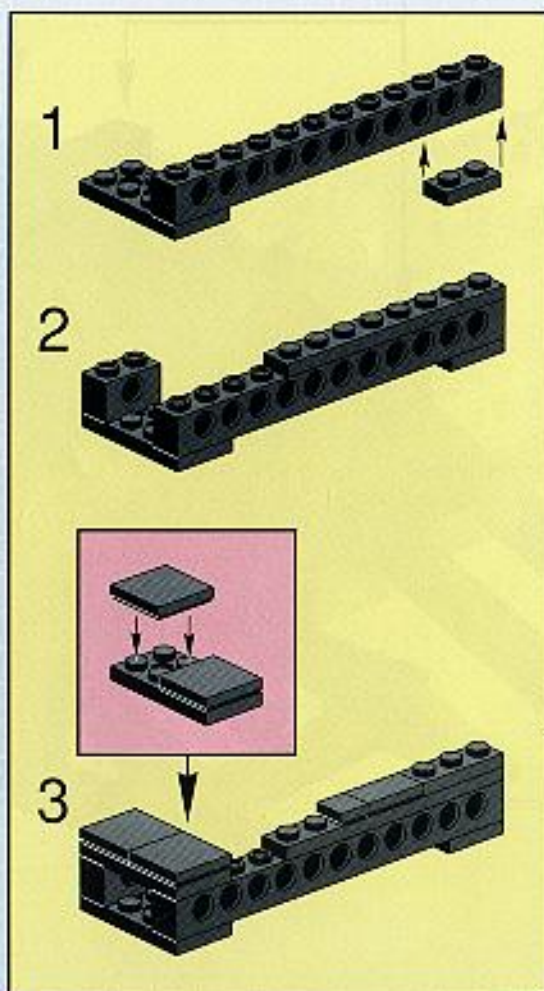
1



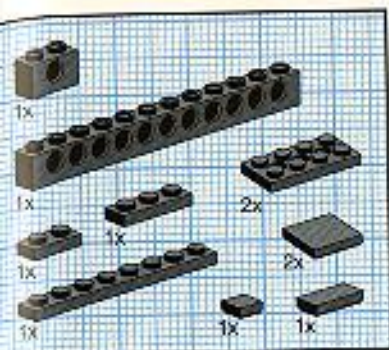
2



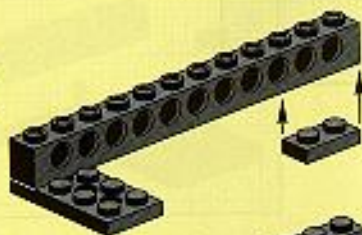
3



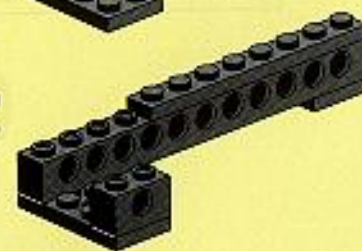
4



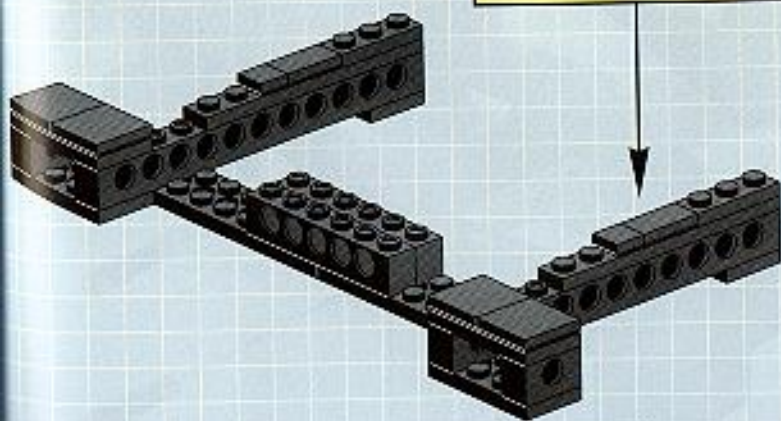
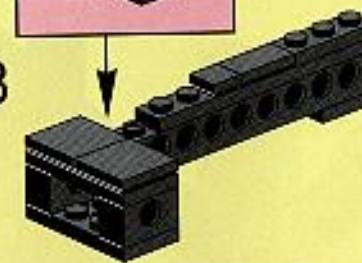
1



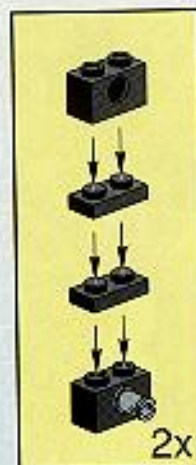
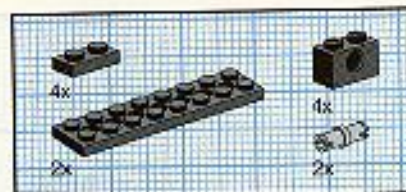
2



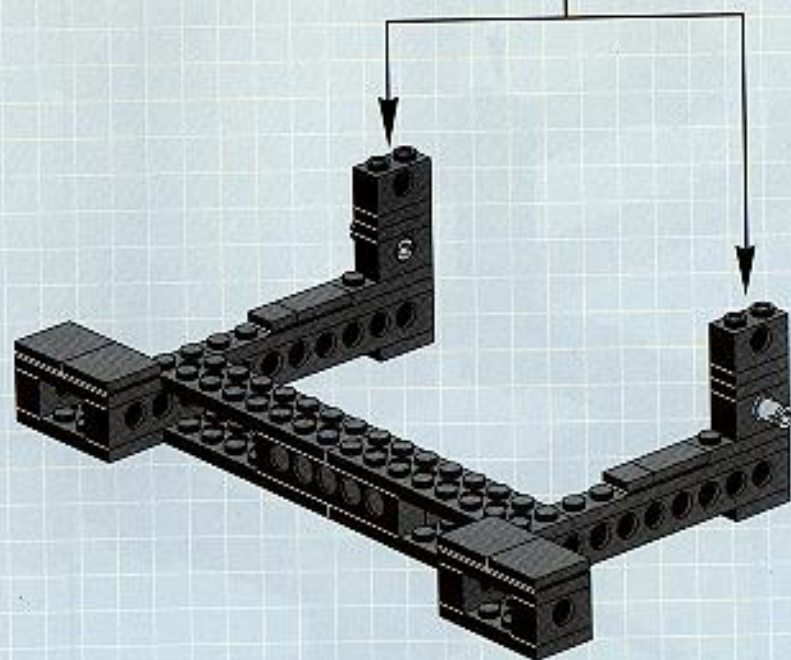
3



5

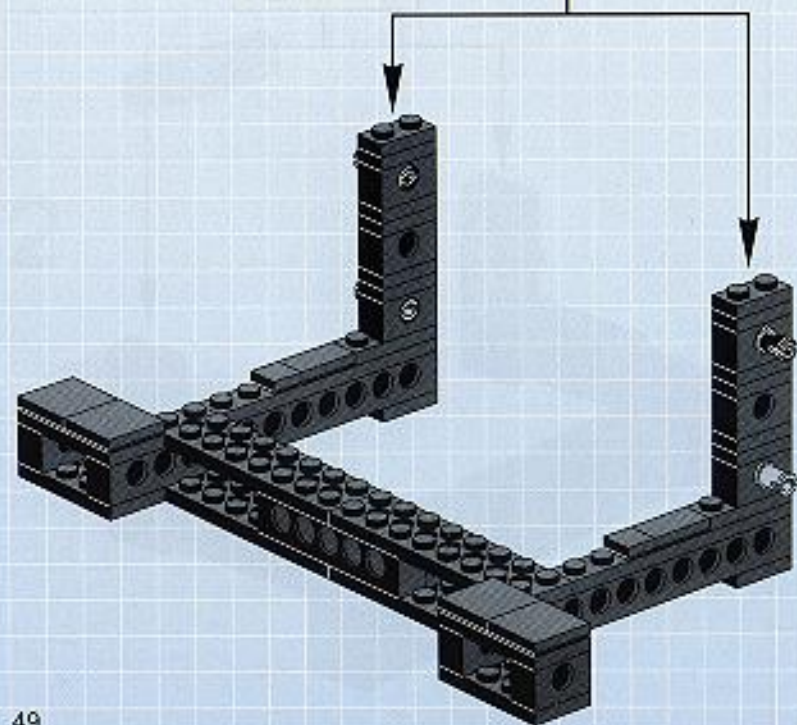
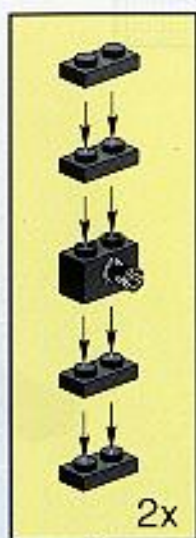


2x

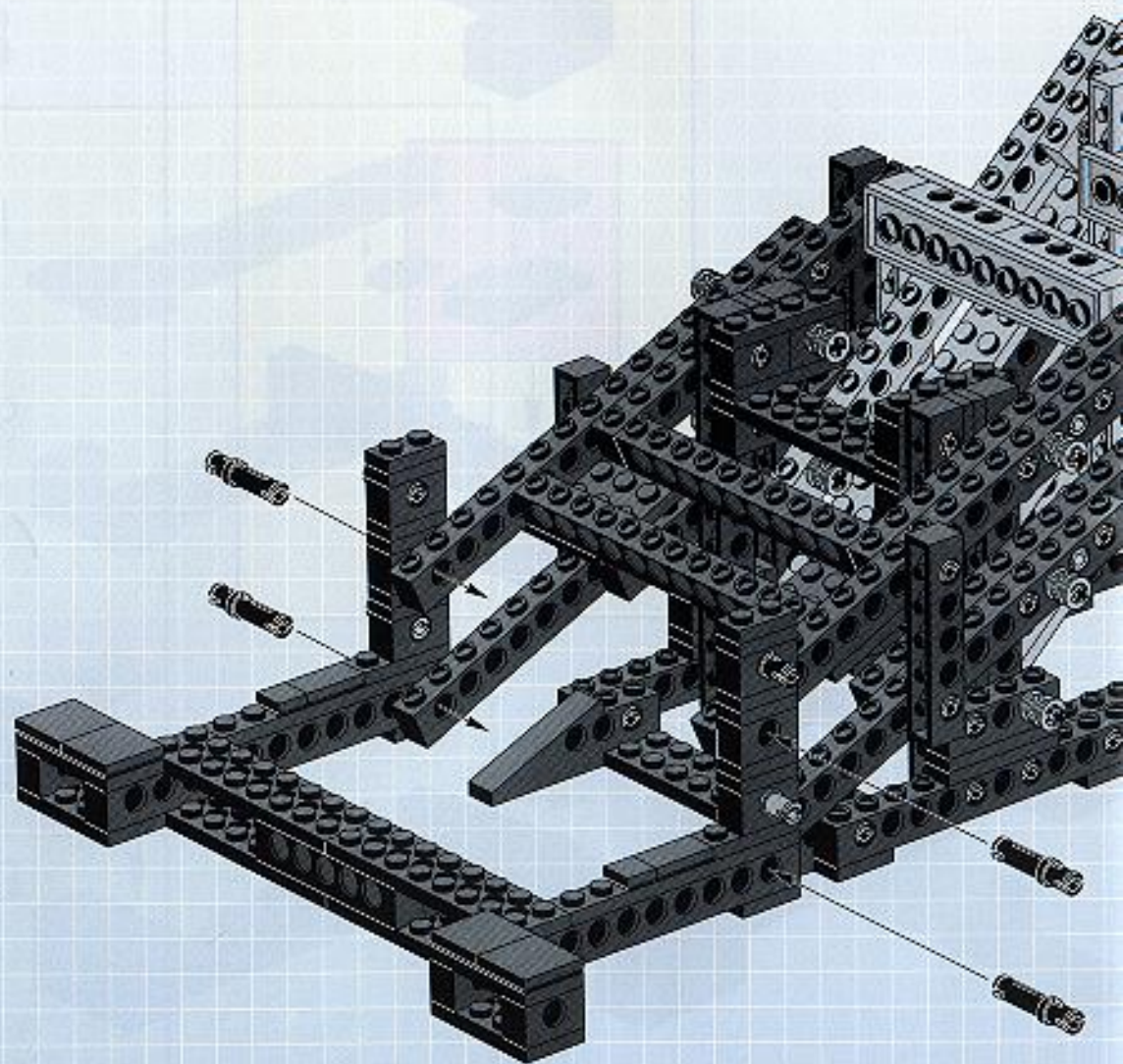


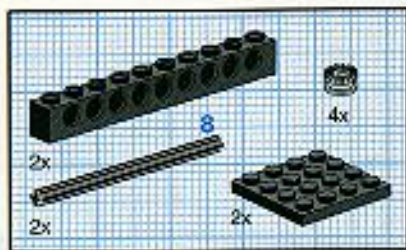
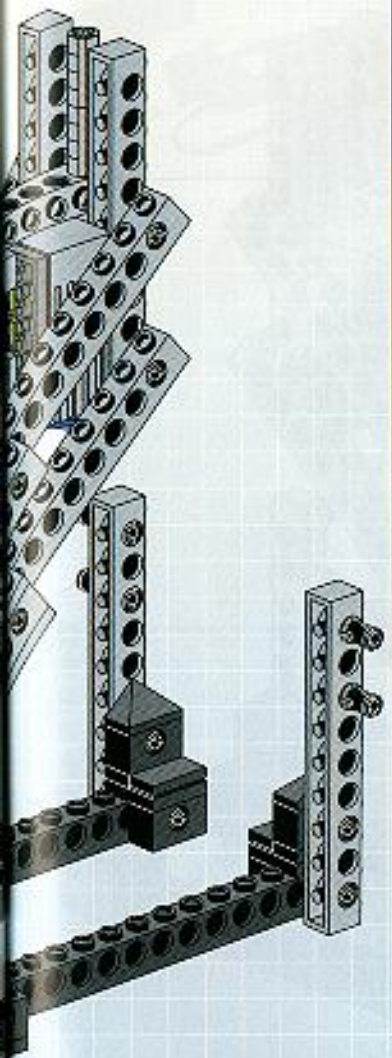


6

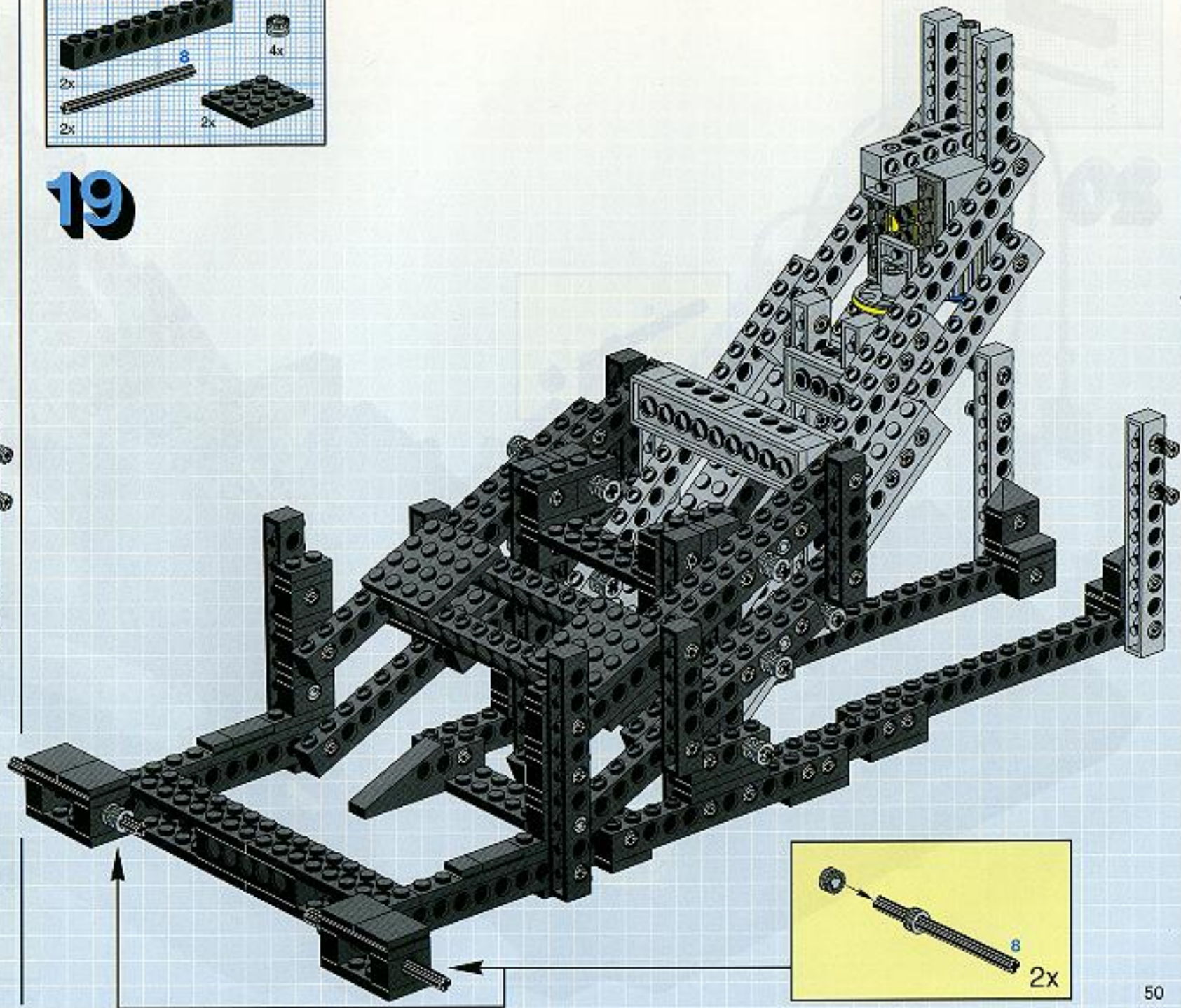


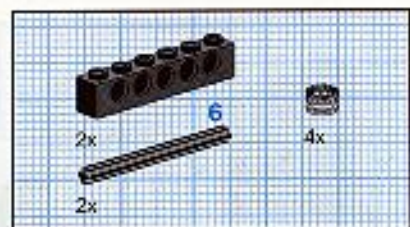
18



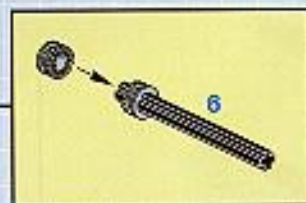
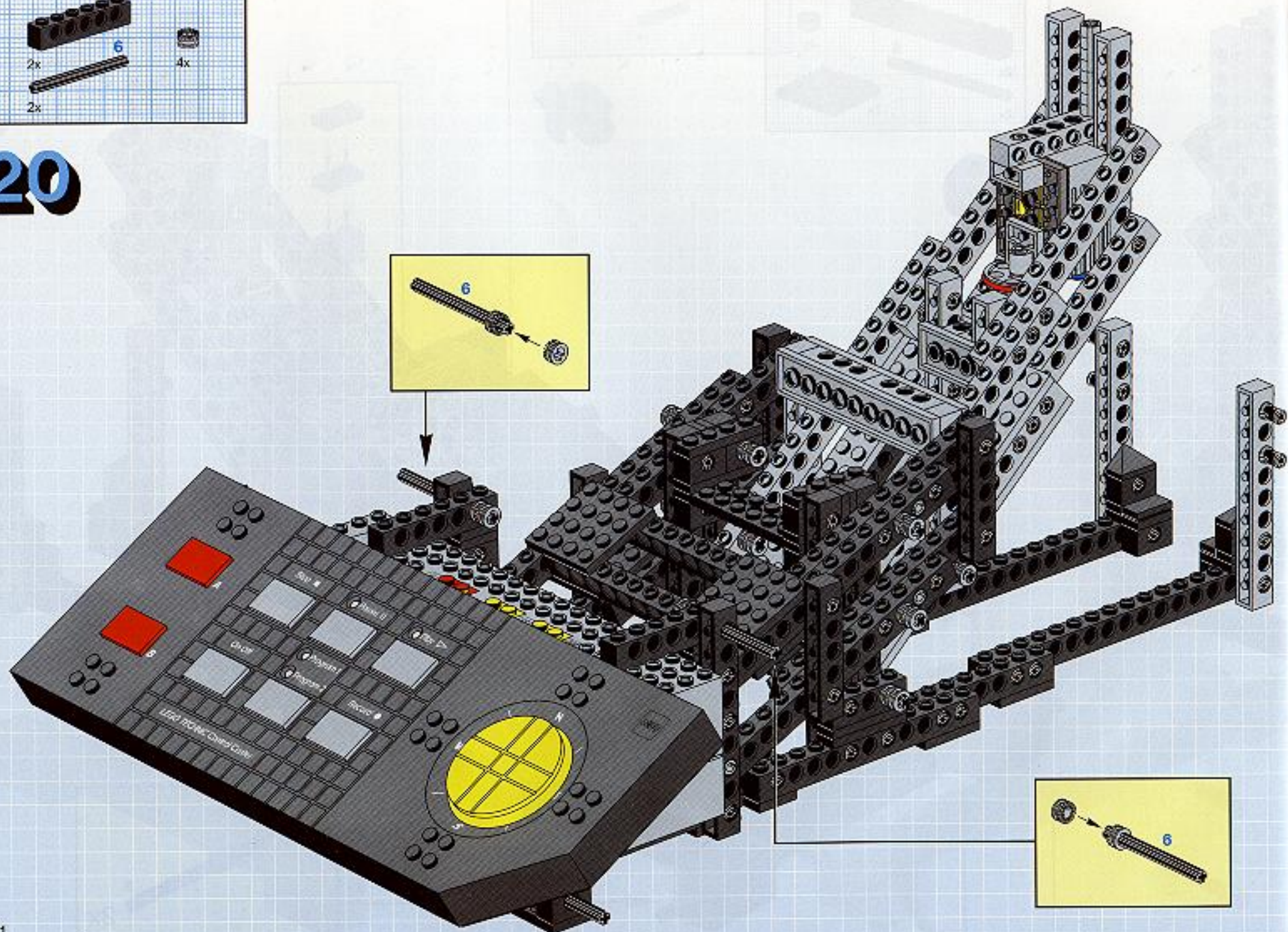
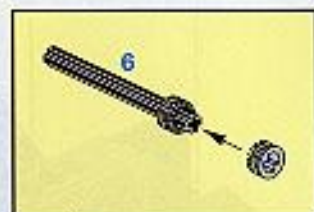


19



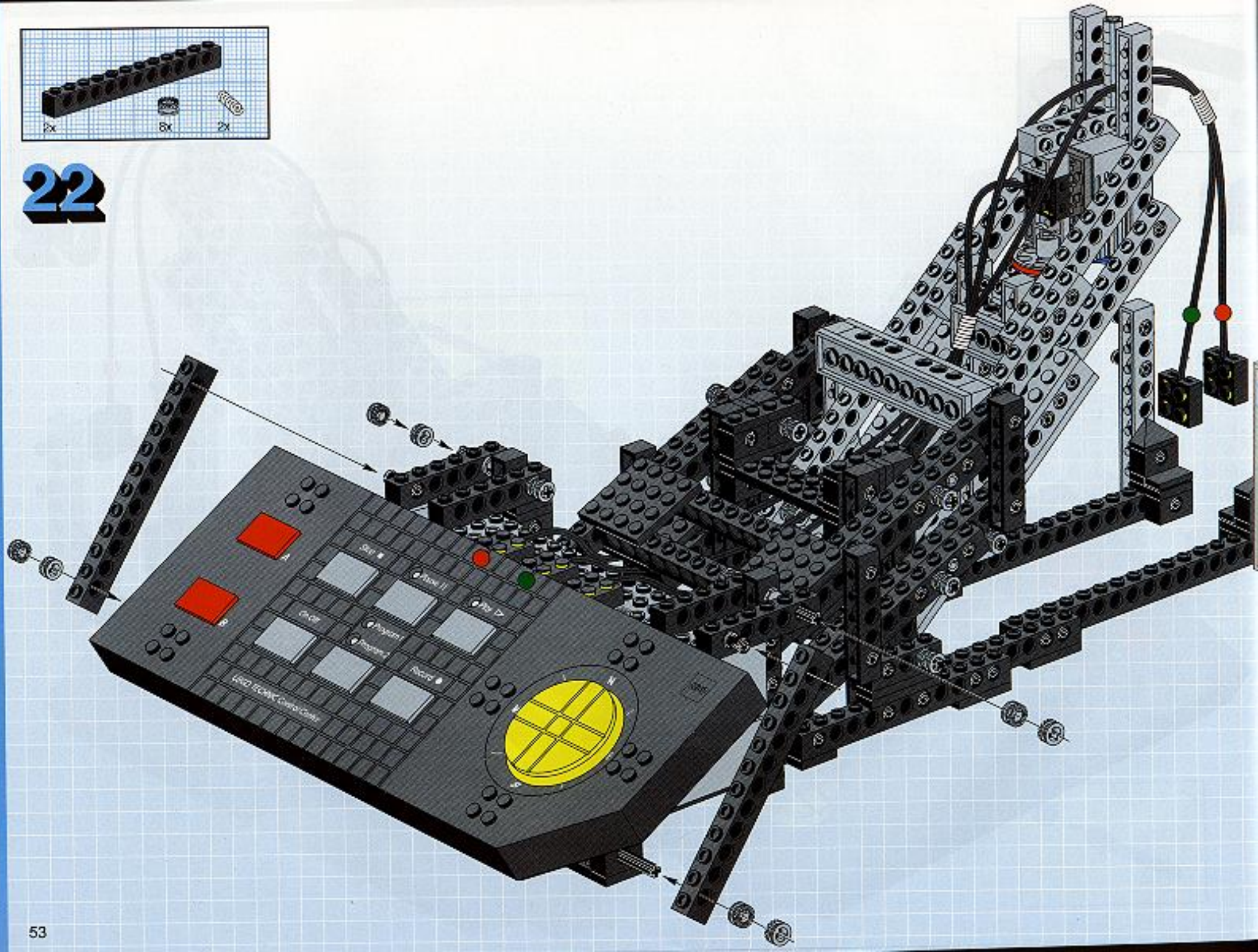


20



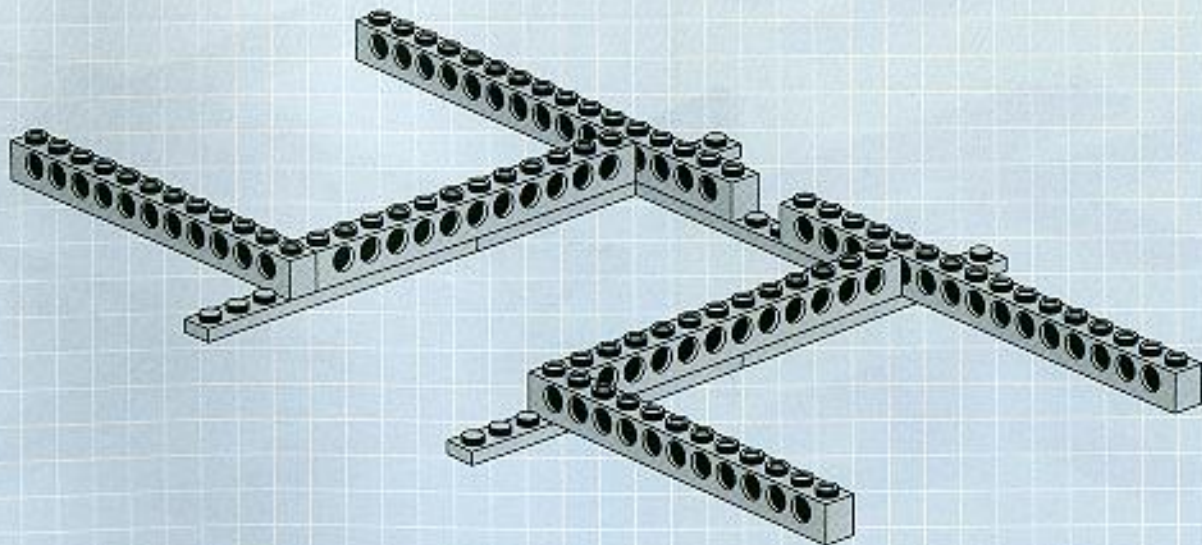
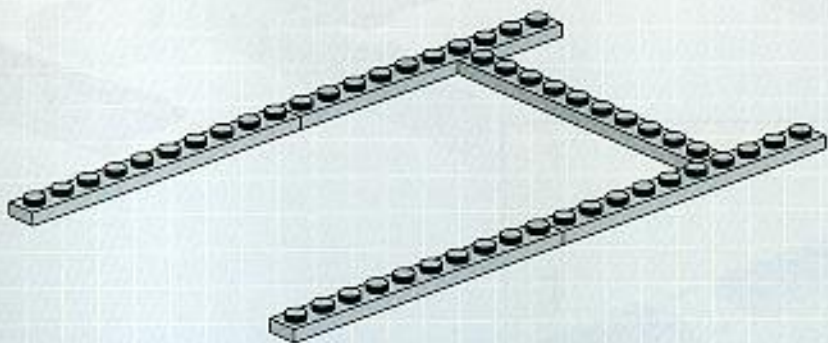


22

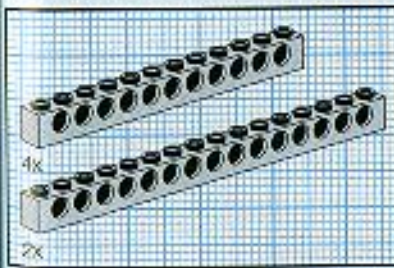




3



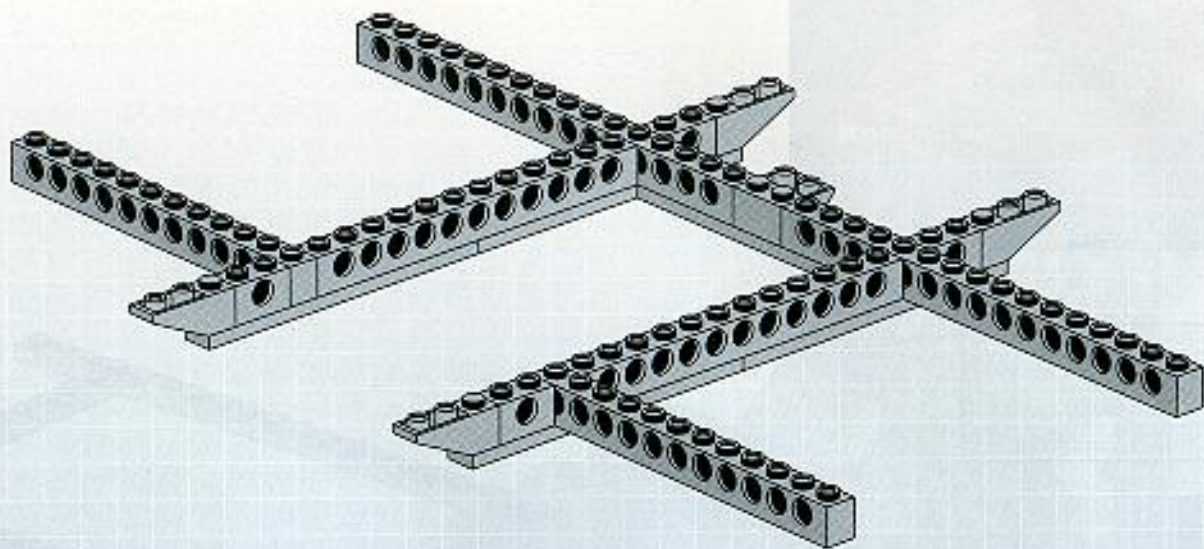
1



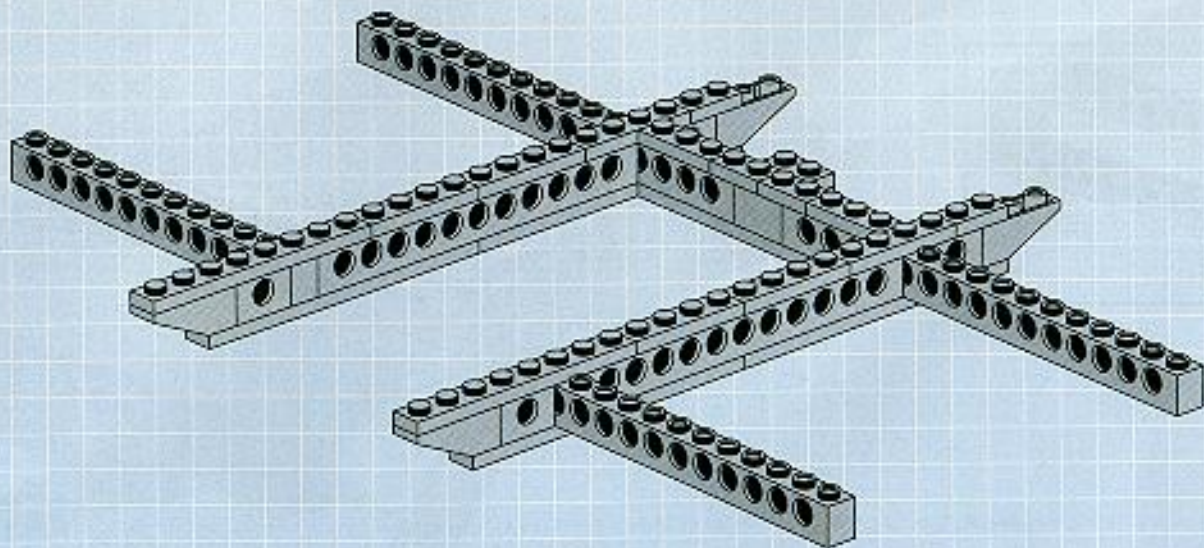
2

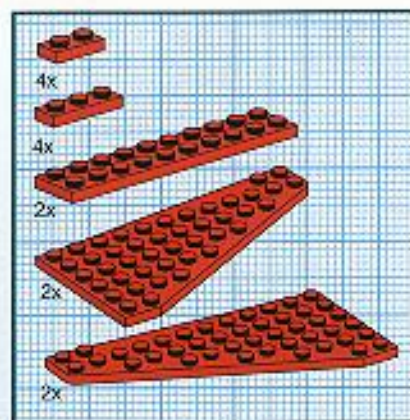


3

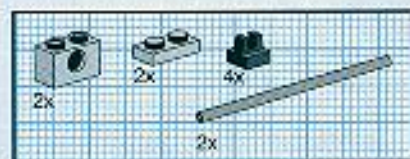
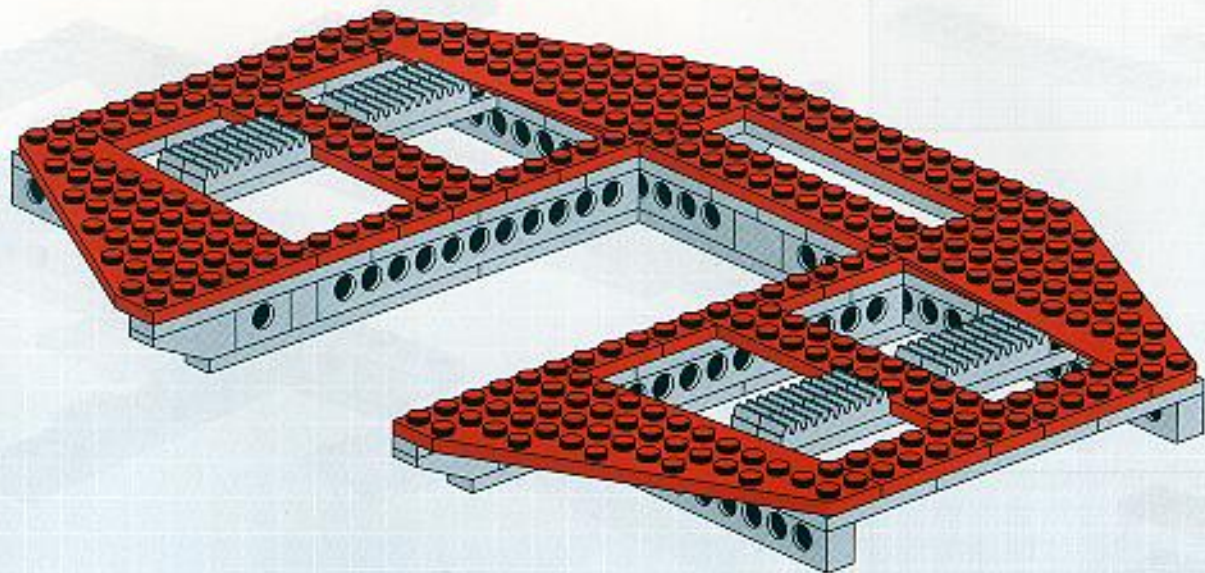


4

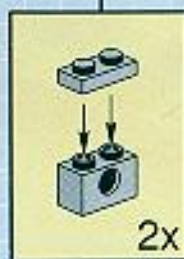
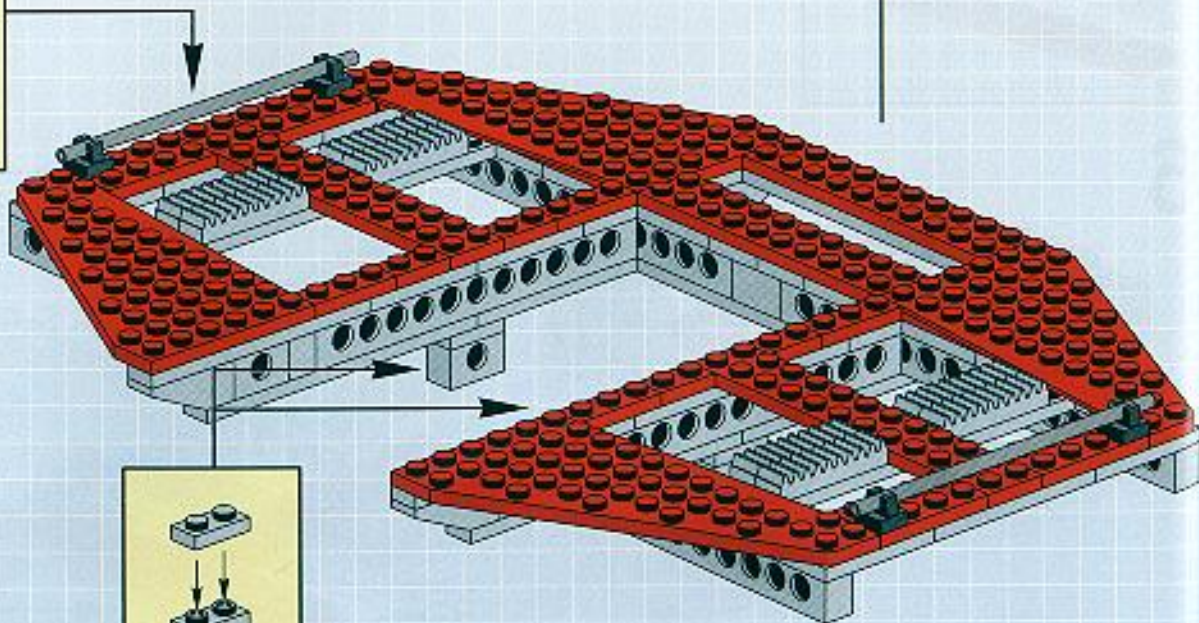
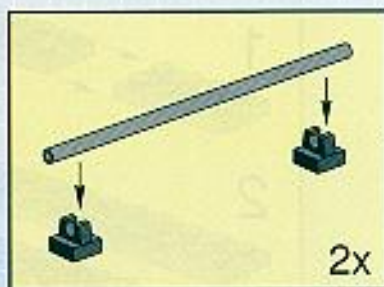


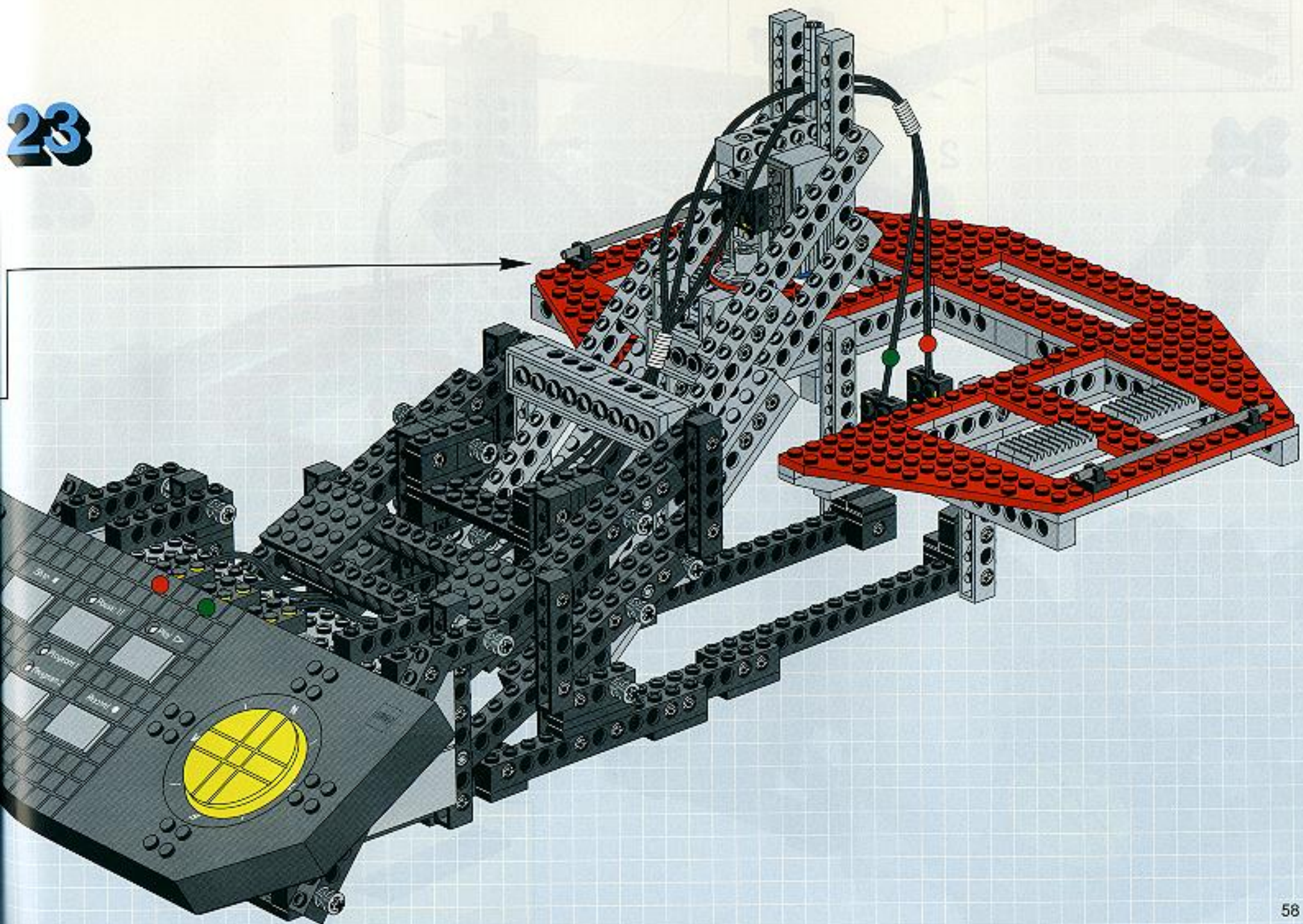


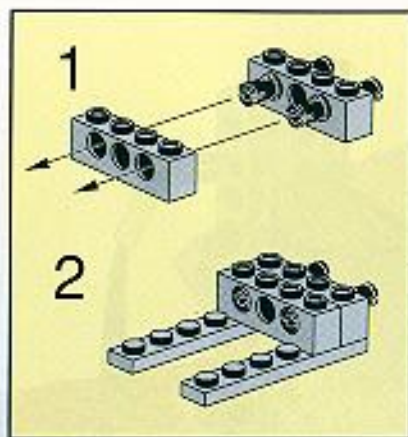
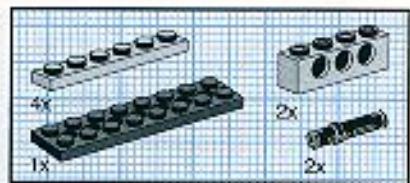
7



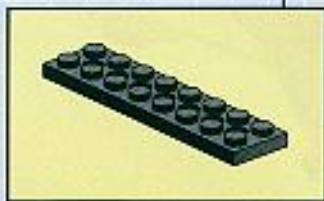
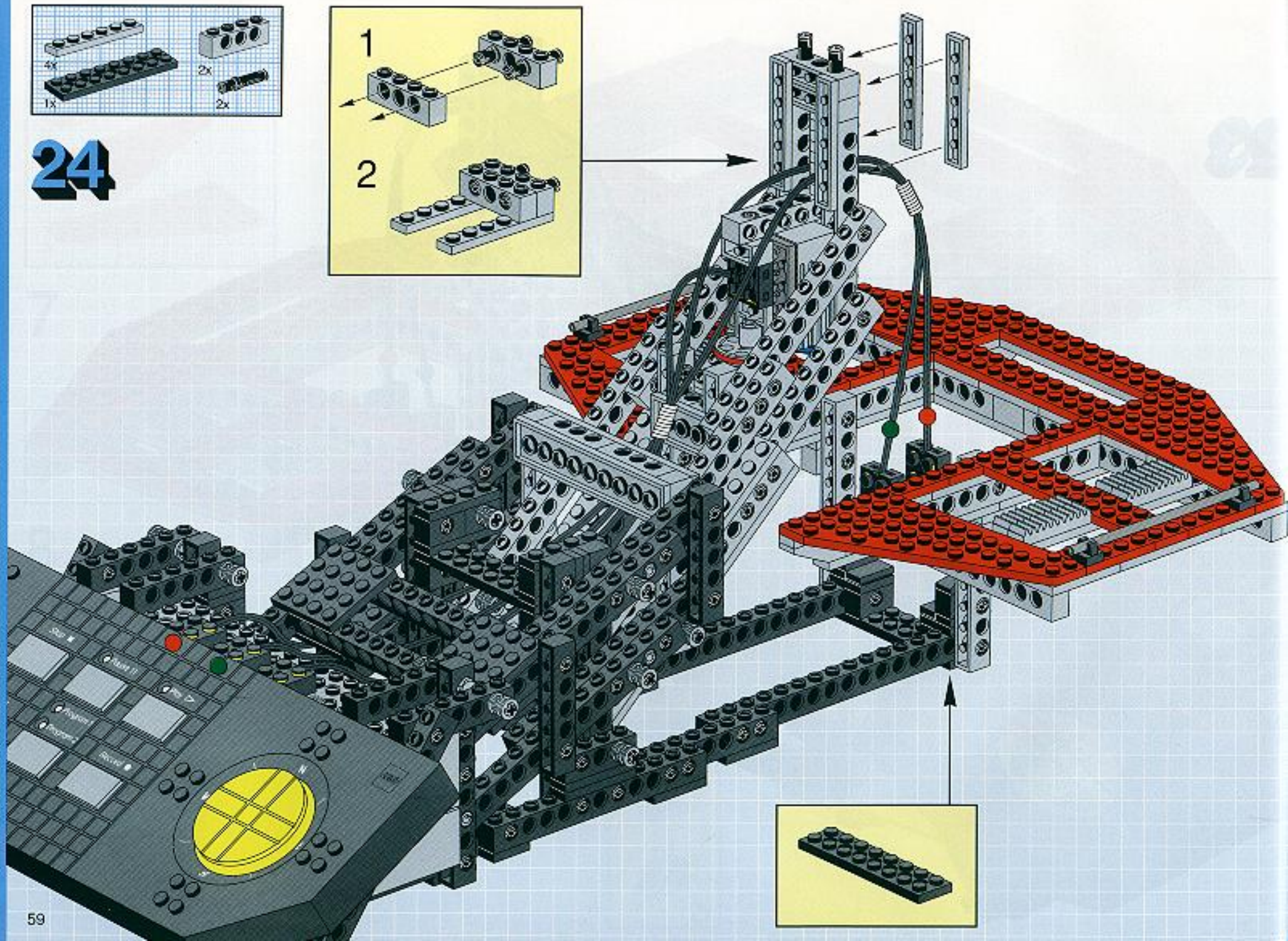
8



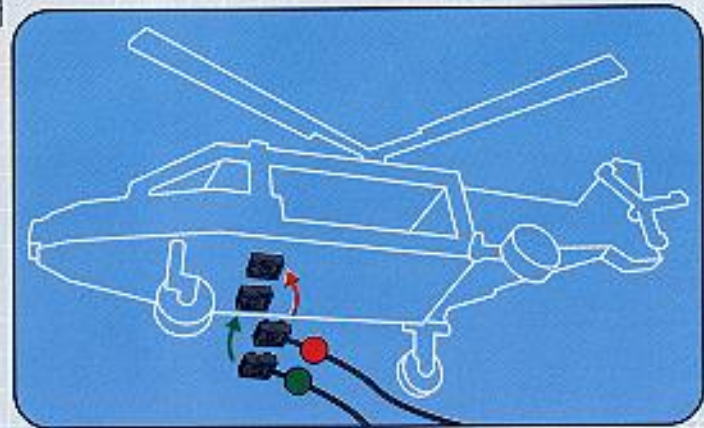
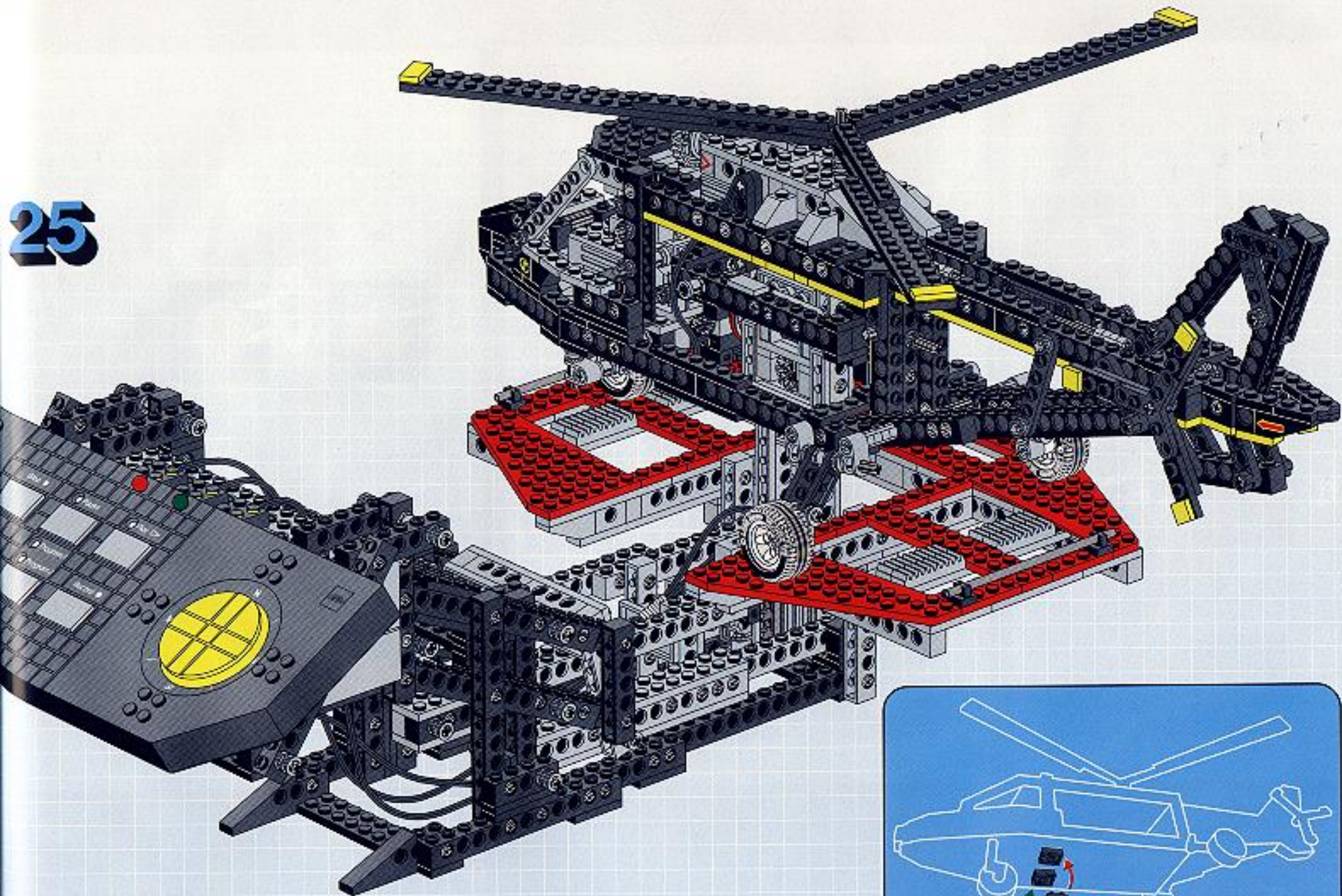




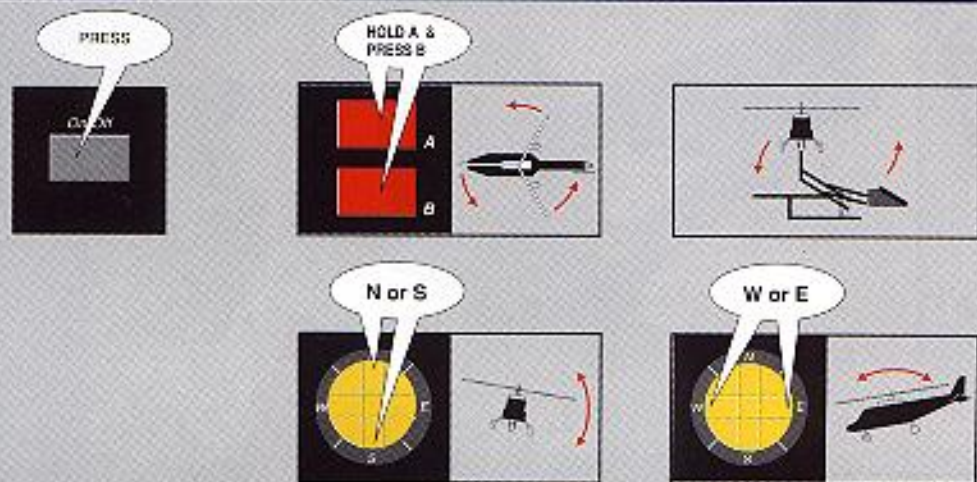
24



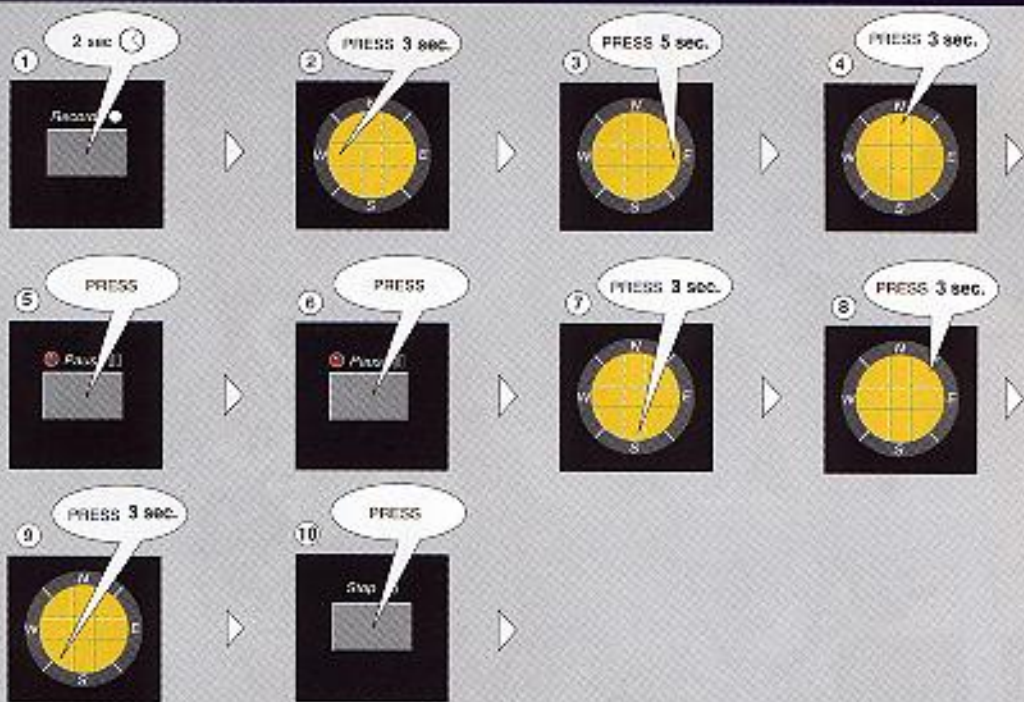
25



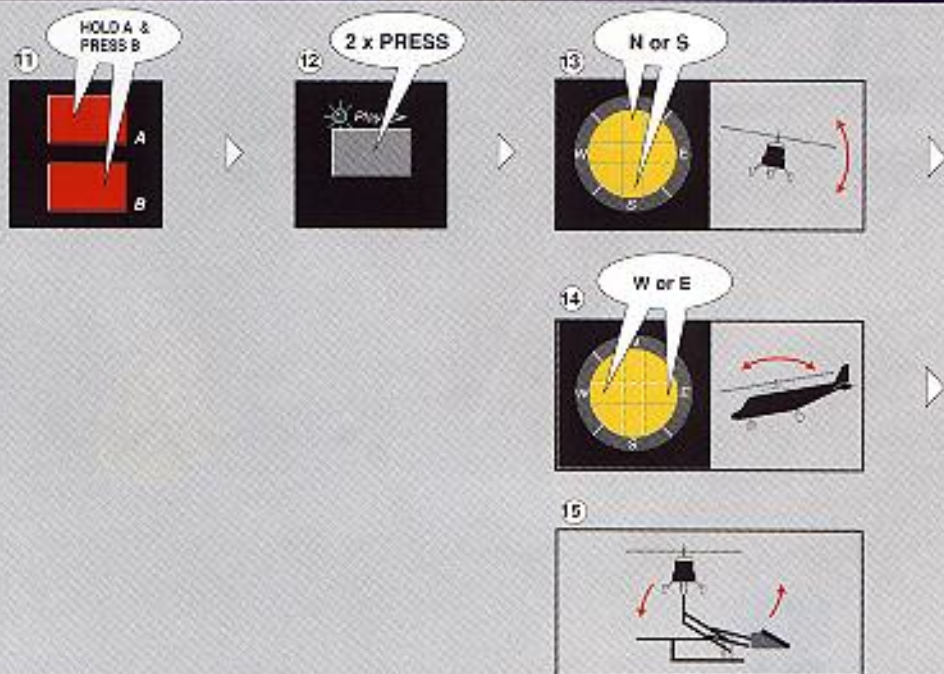
CONTROL



RECORD

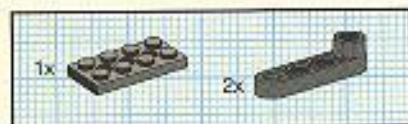
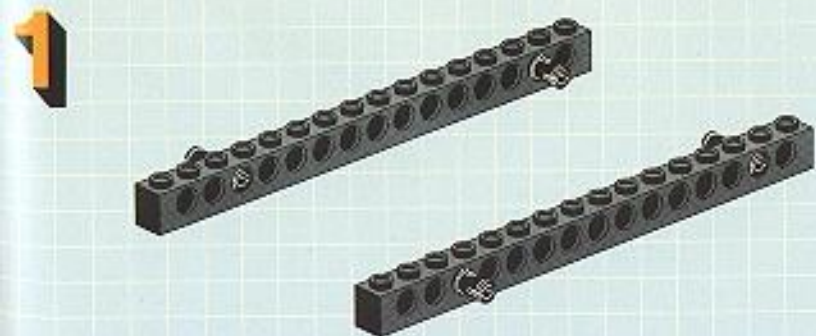
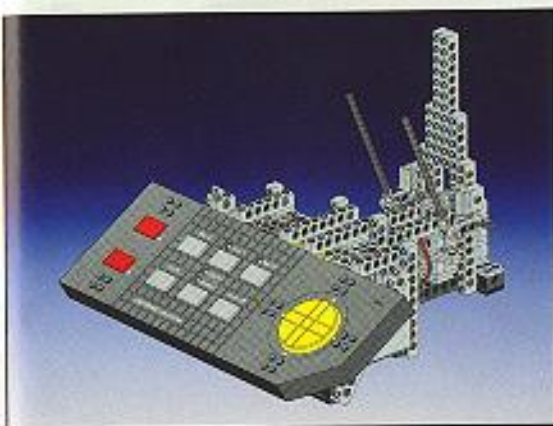
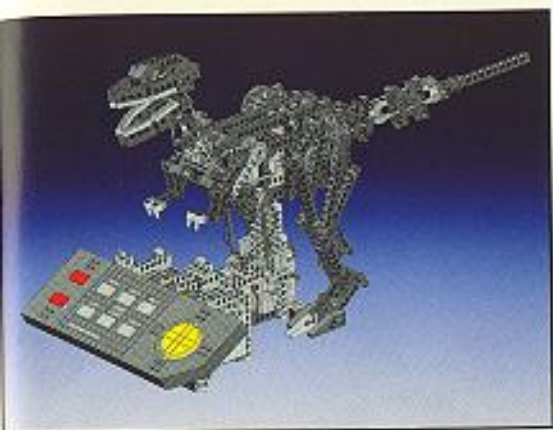


PLAY

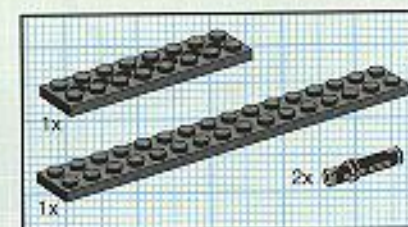
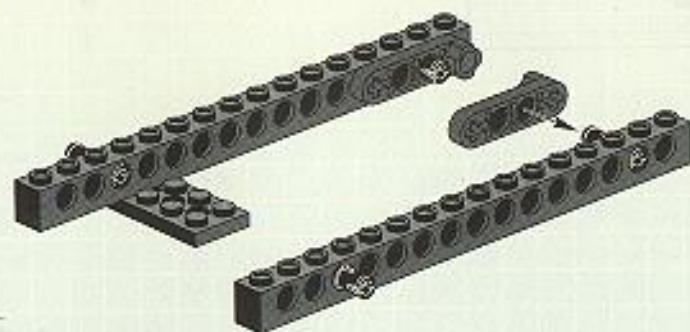








2

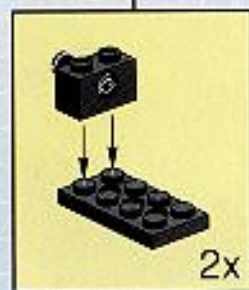
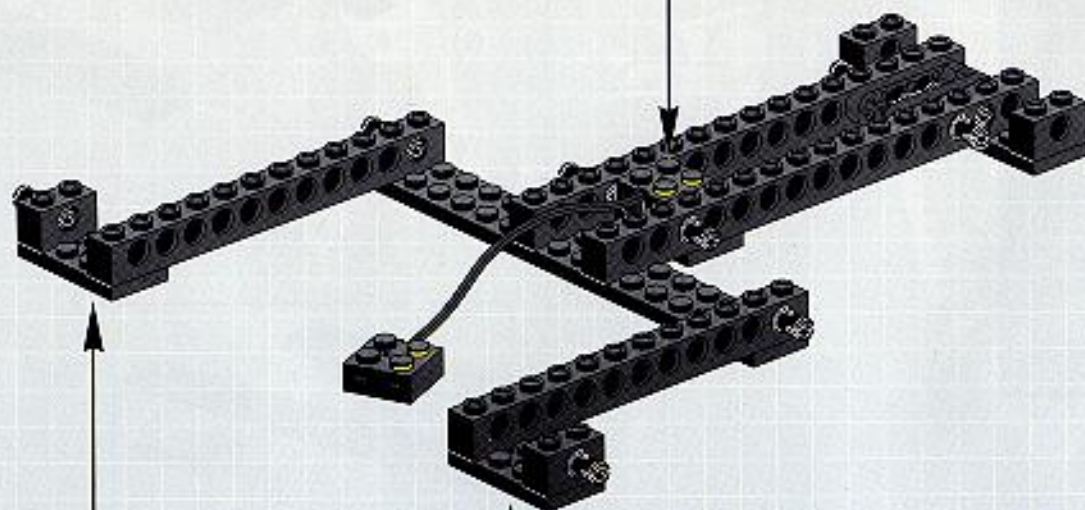
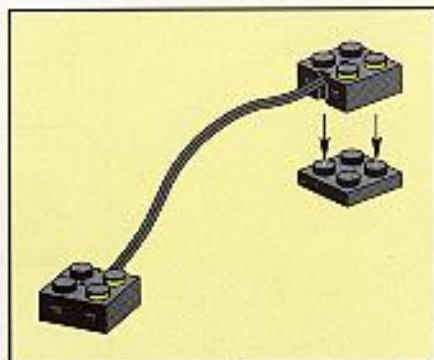


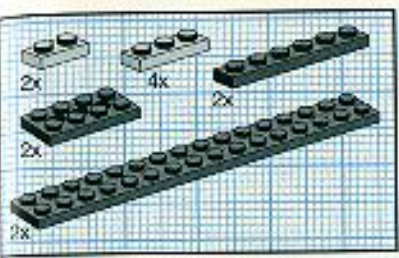
3



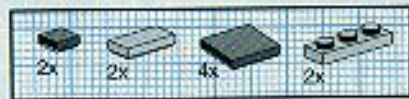
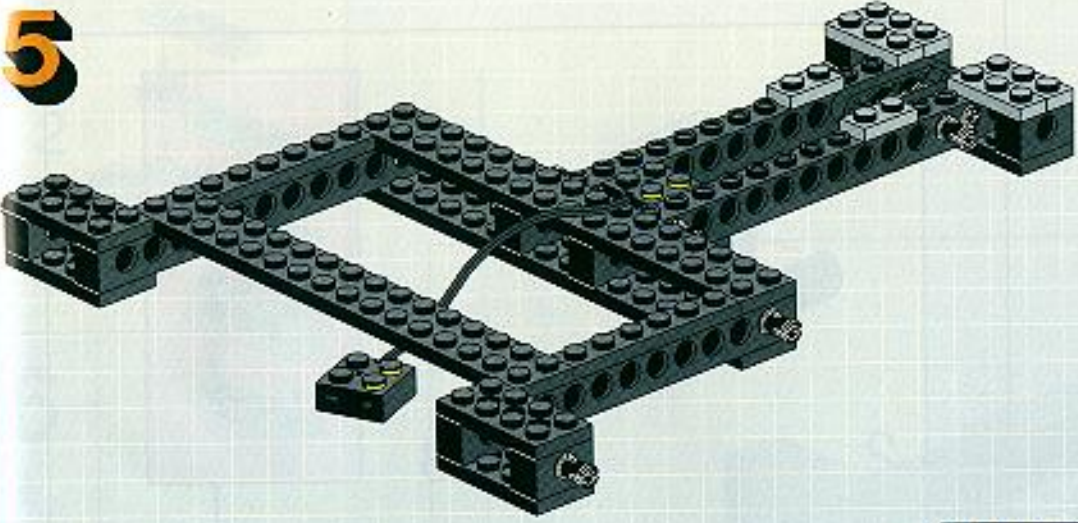


4

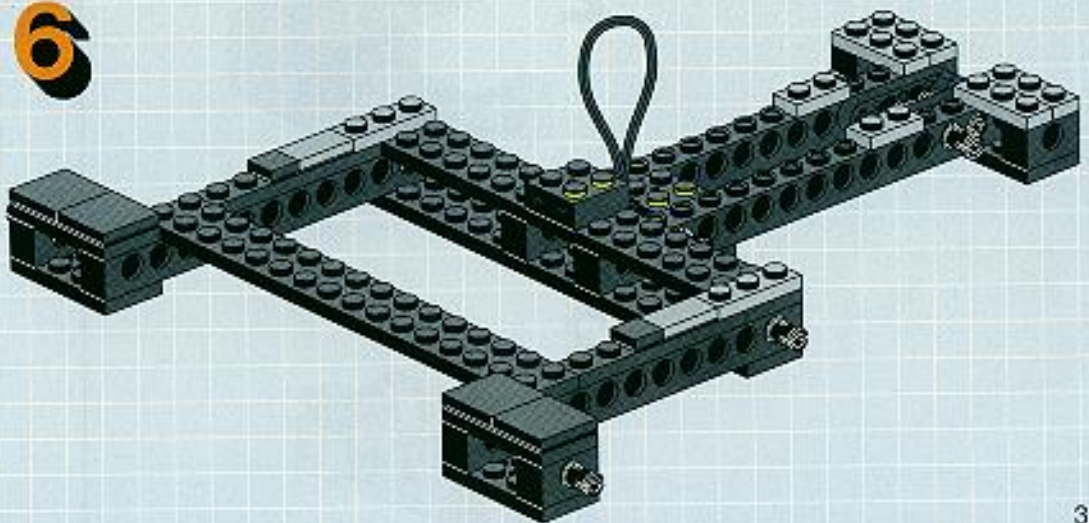


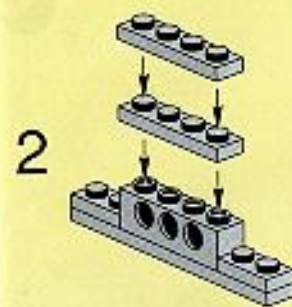
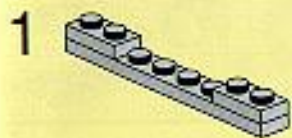


5

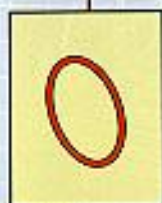
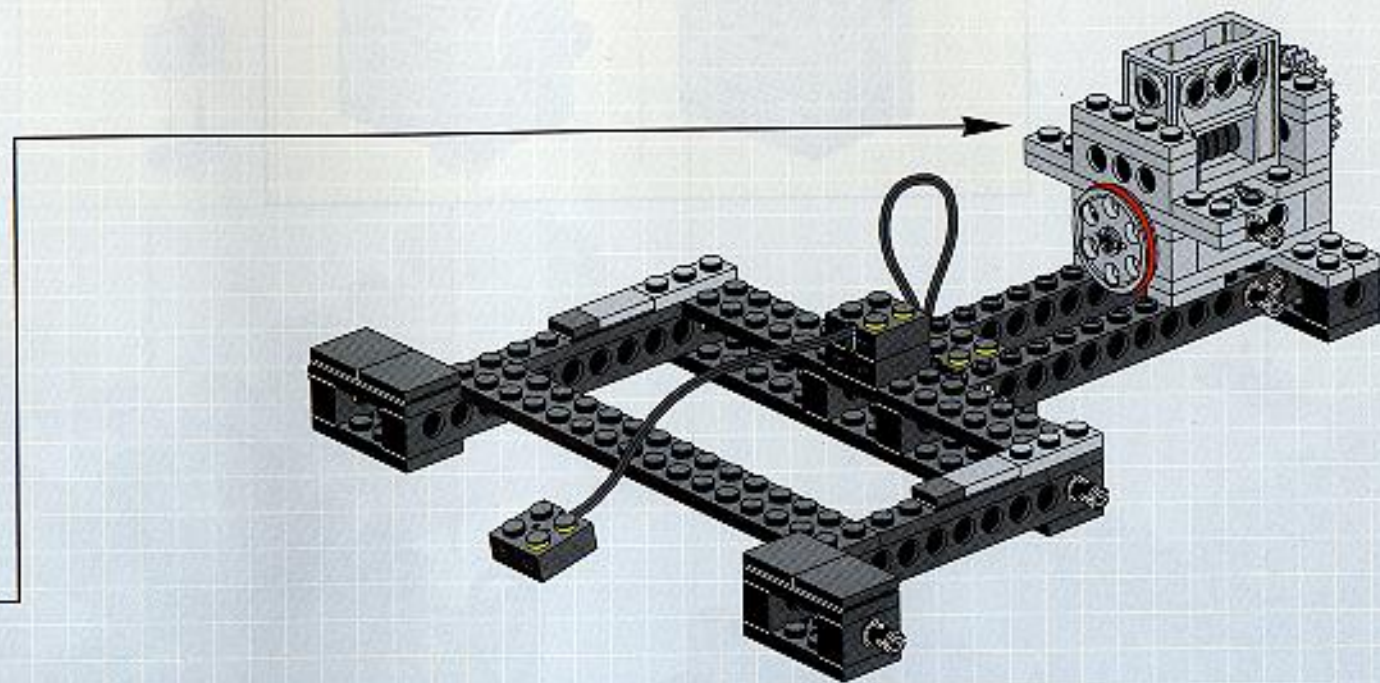
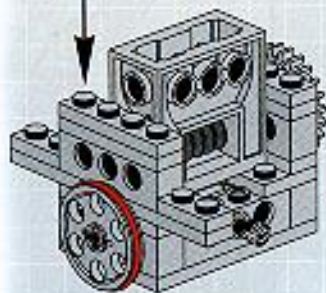


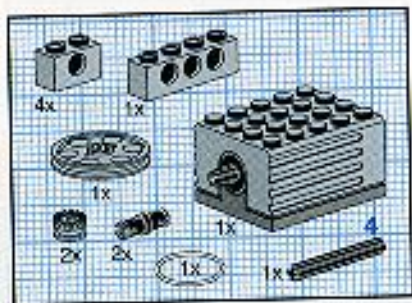
6



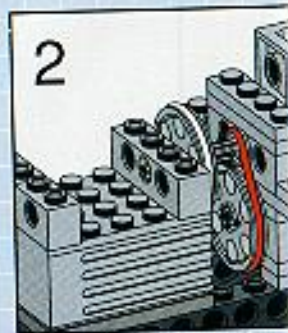
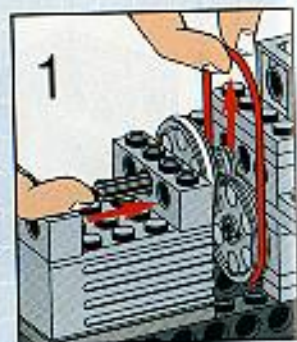
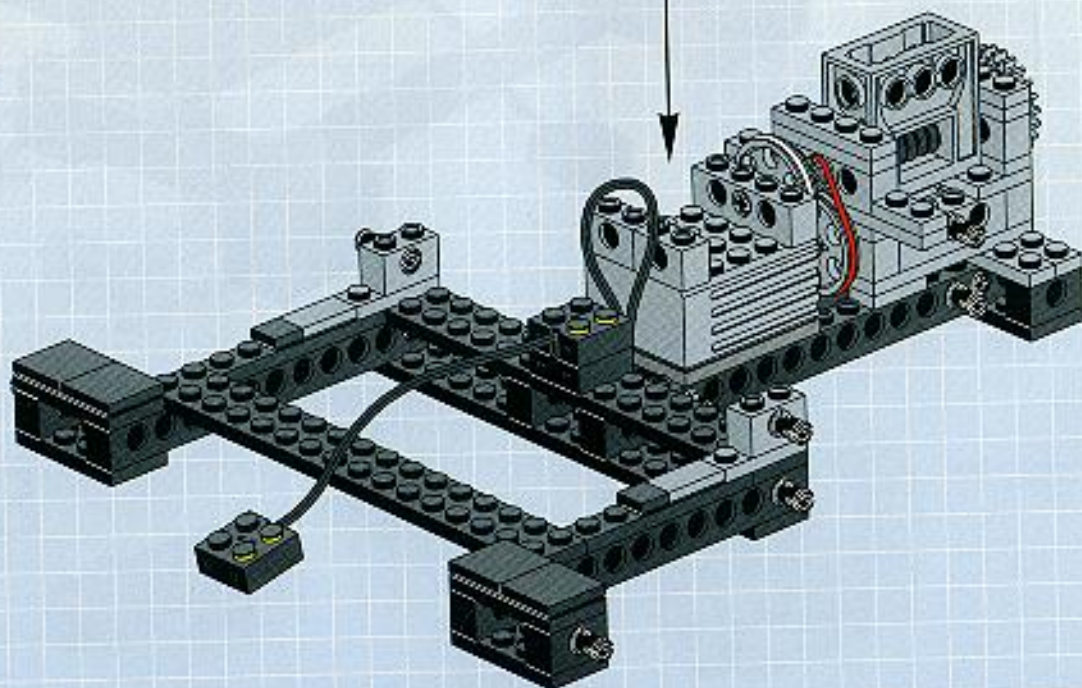
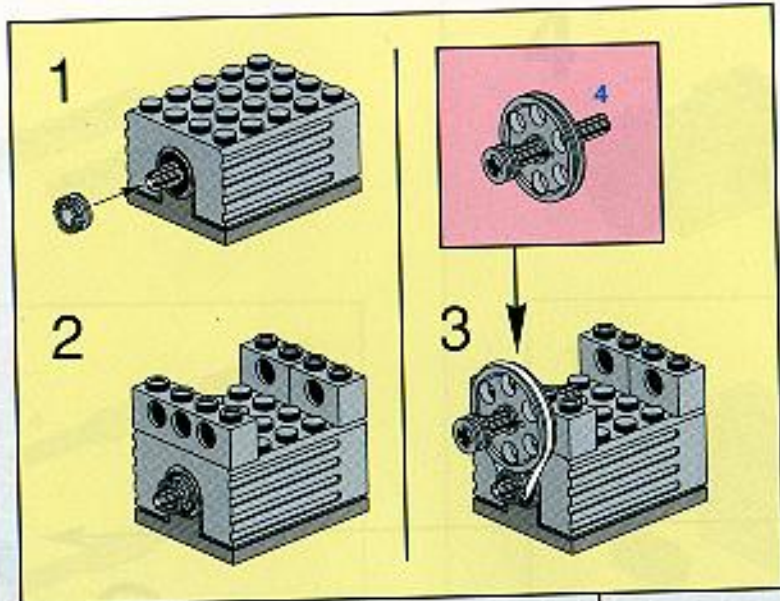


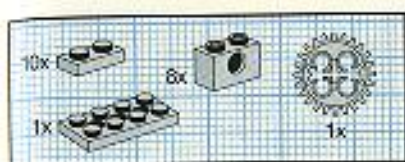
6



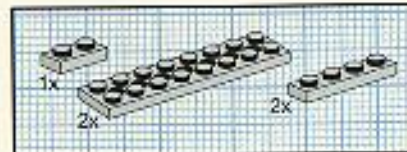
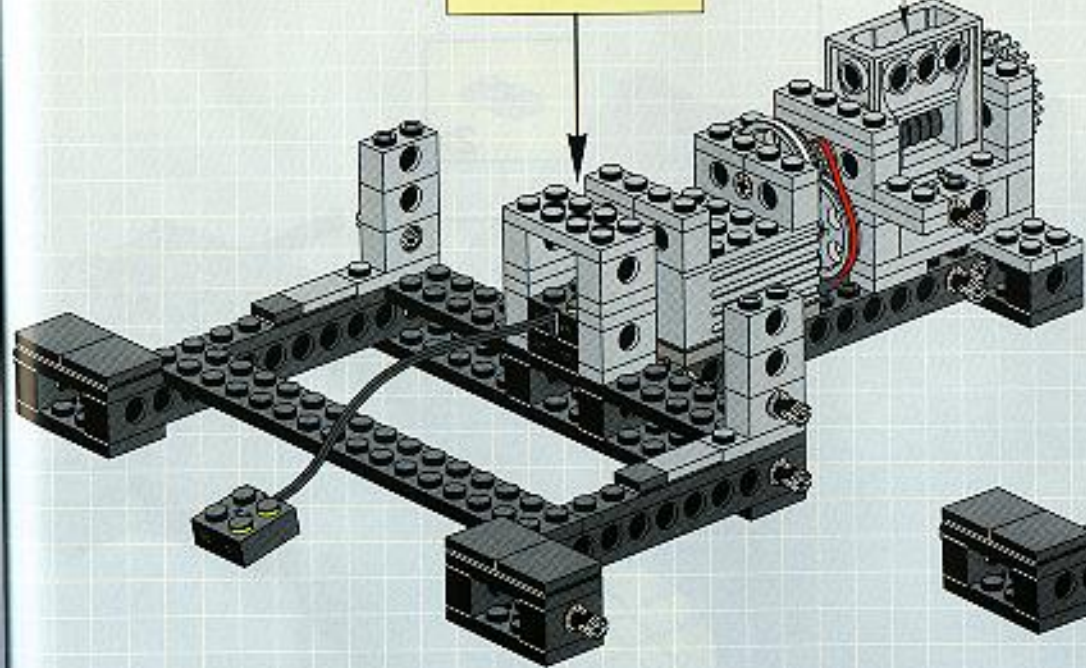
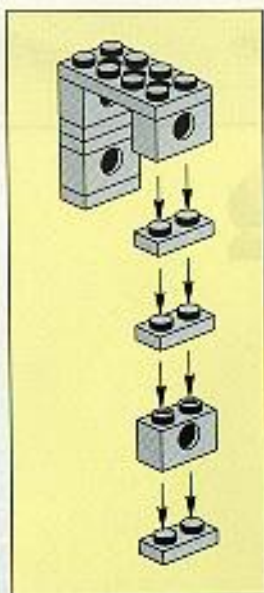


8

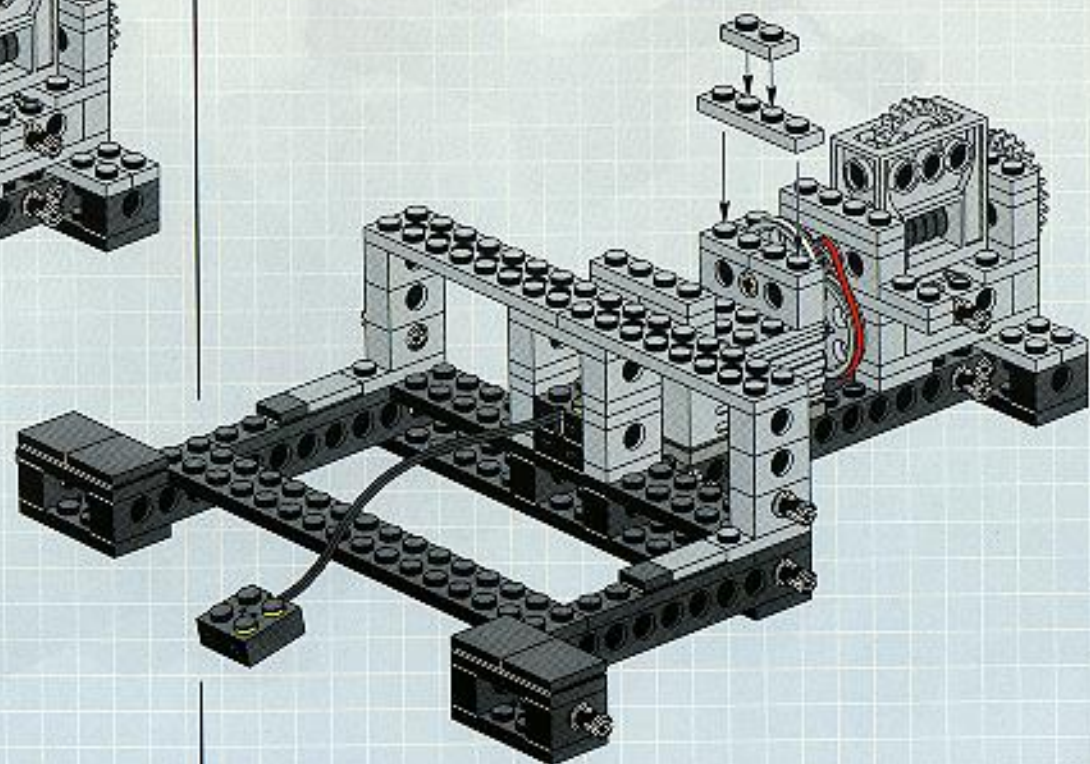


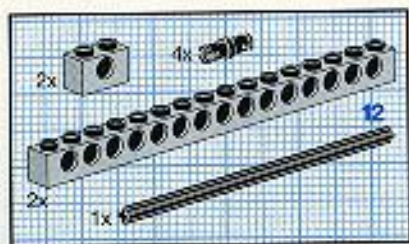


9

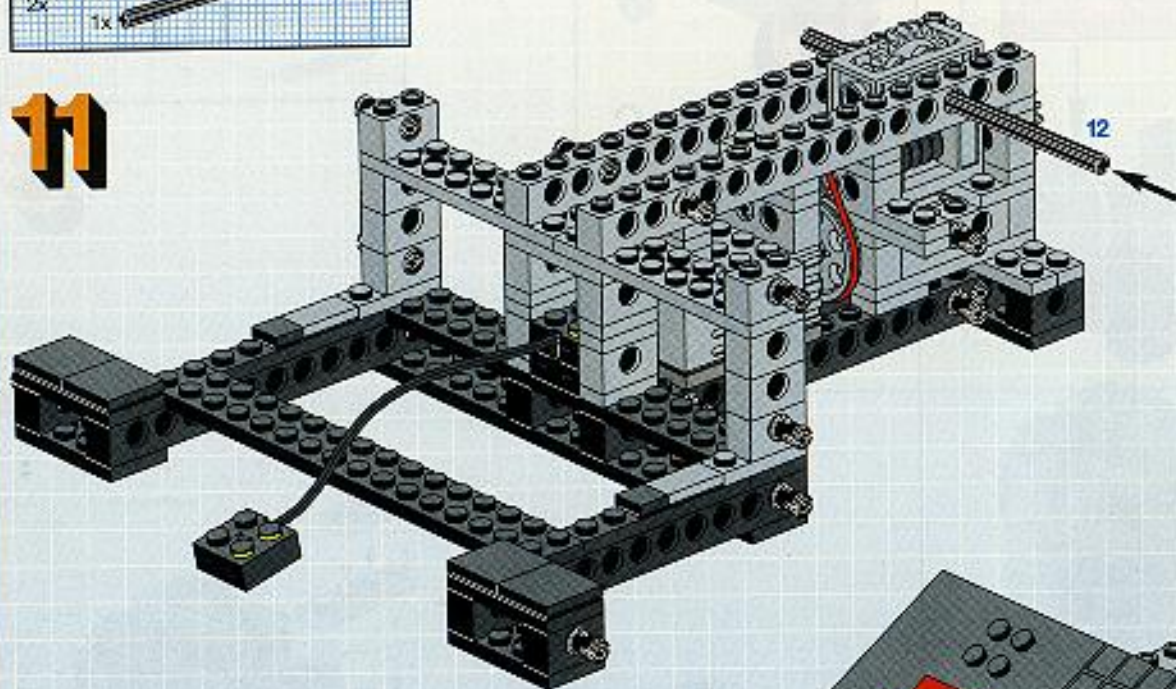


10

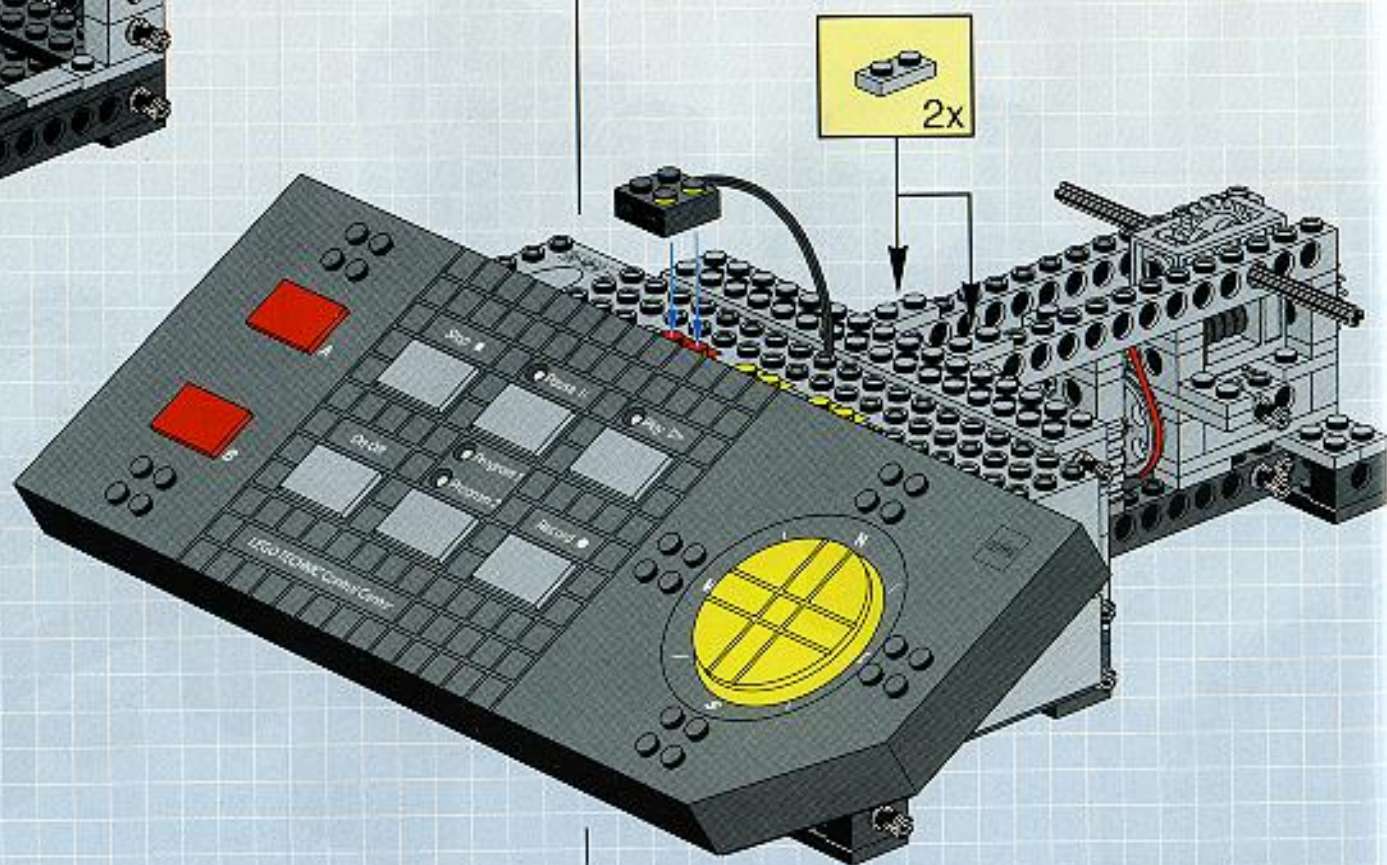


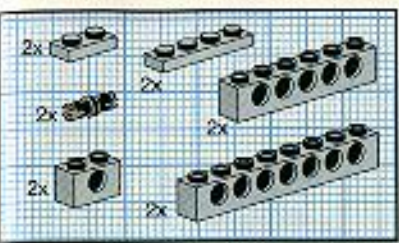


11

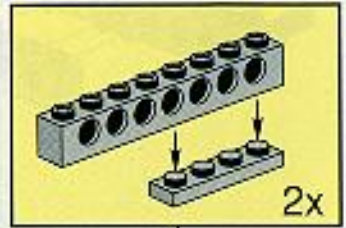
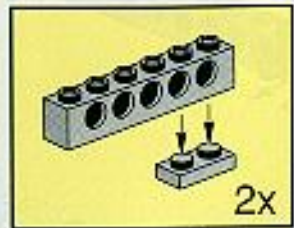


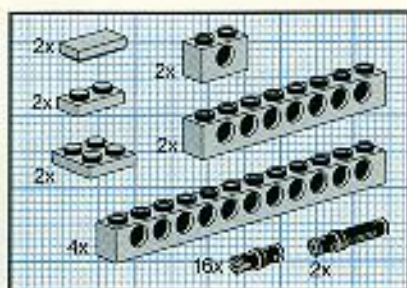
12



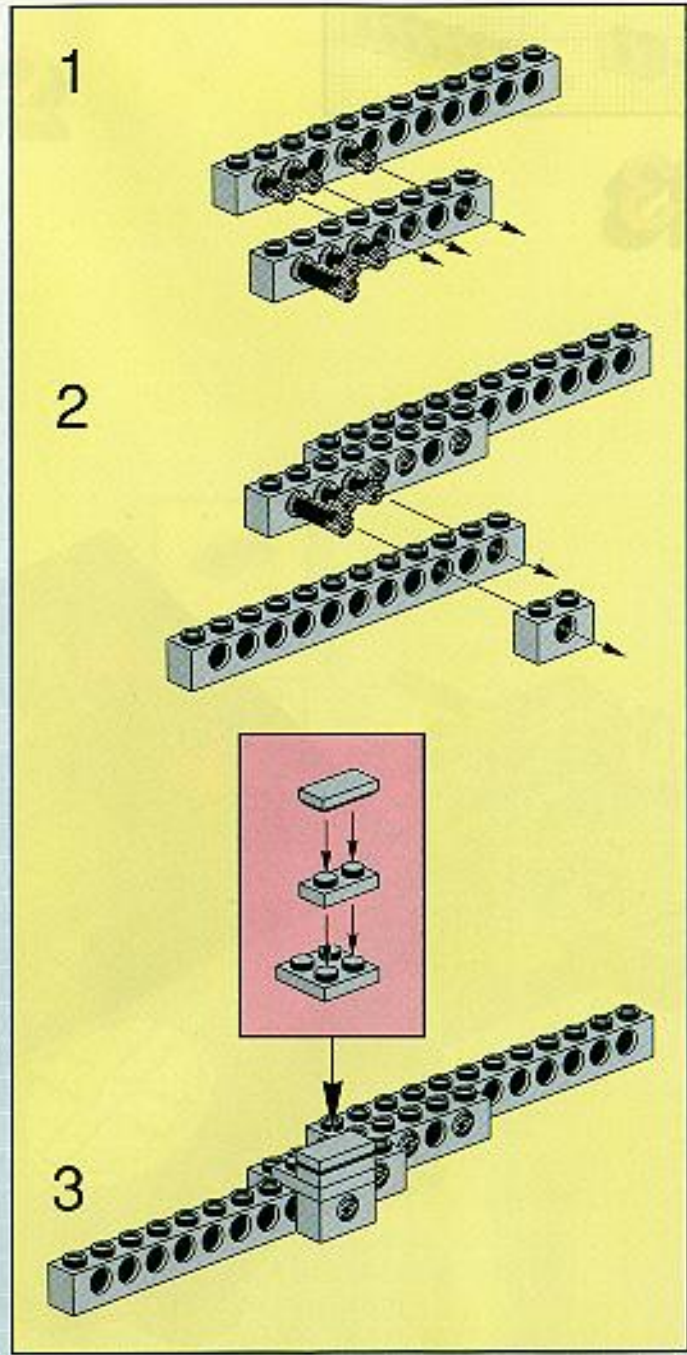
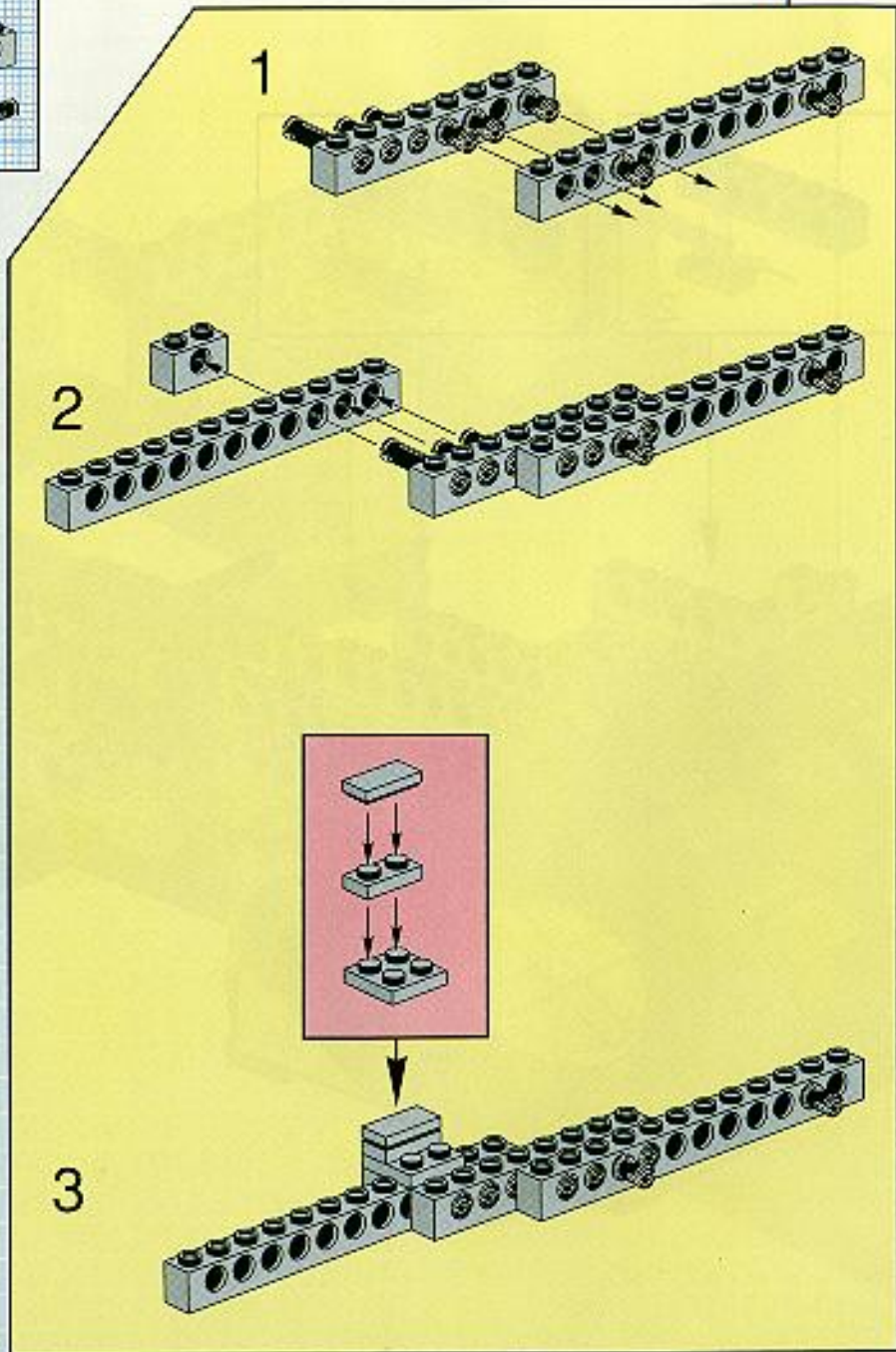


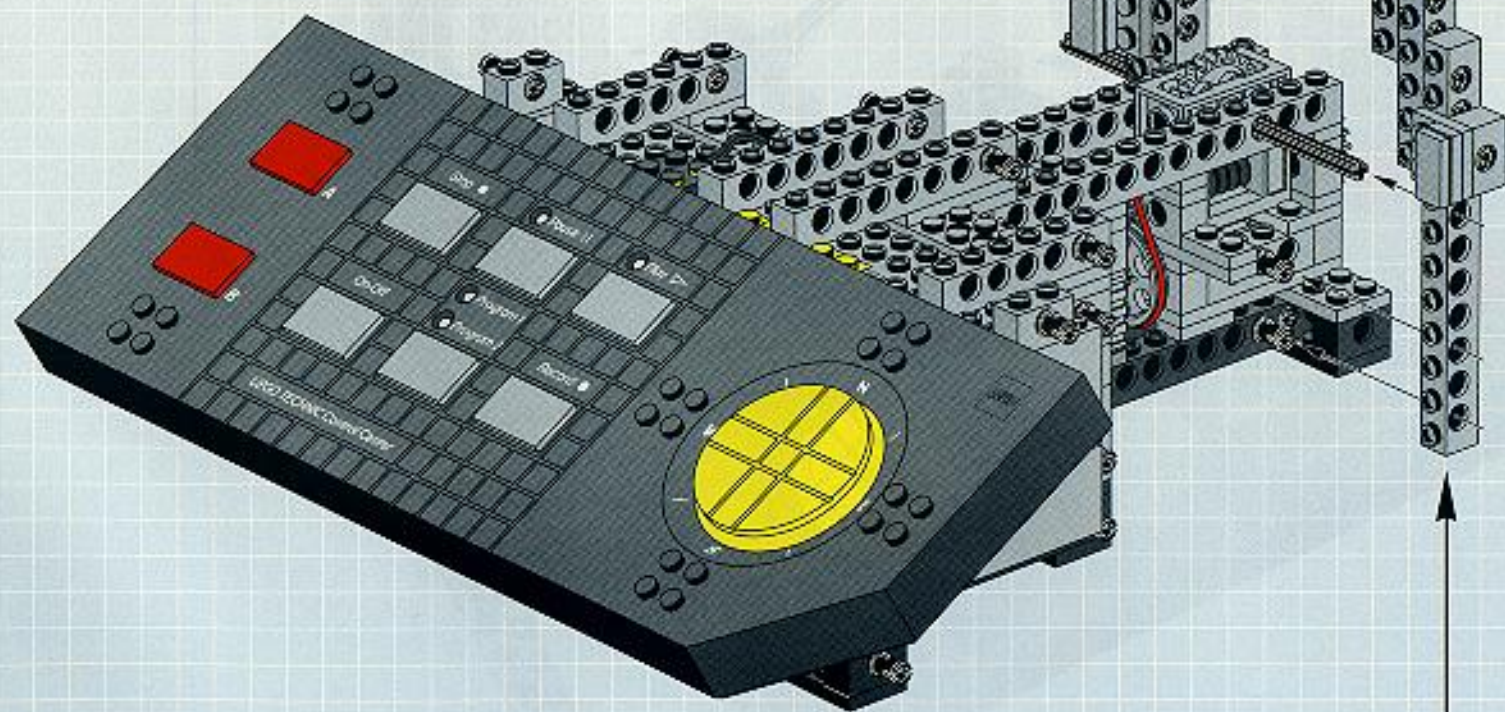
13

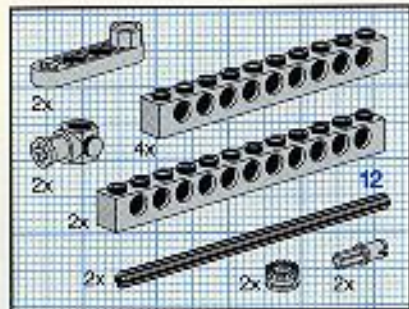




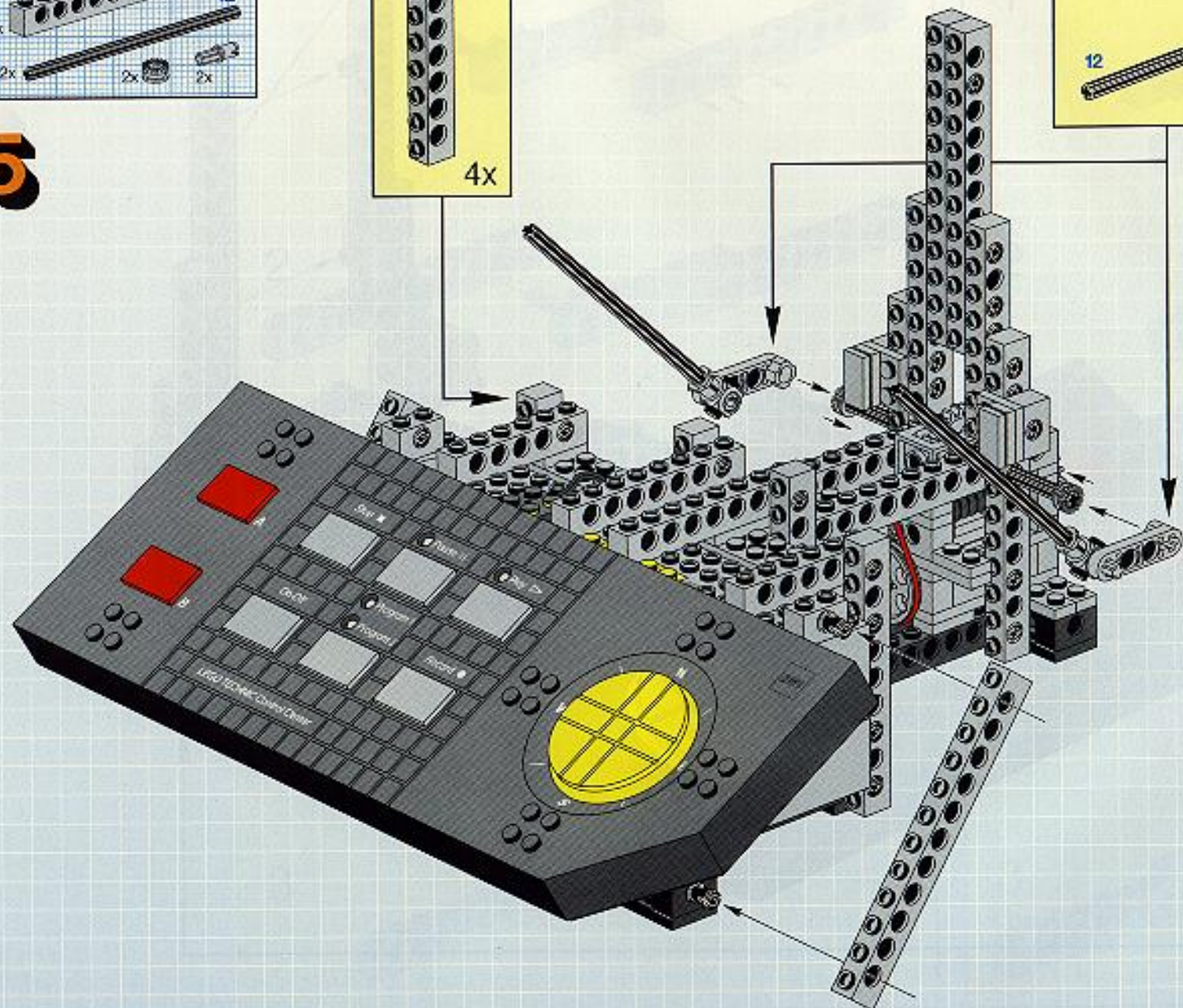
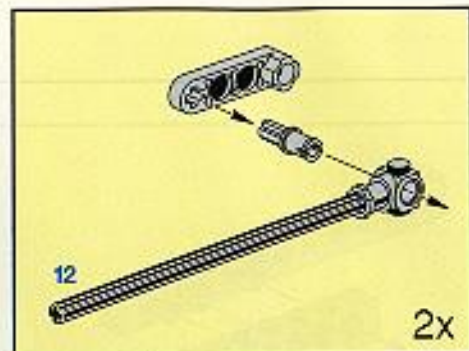
14

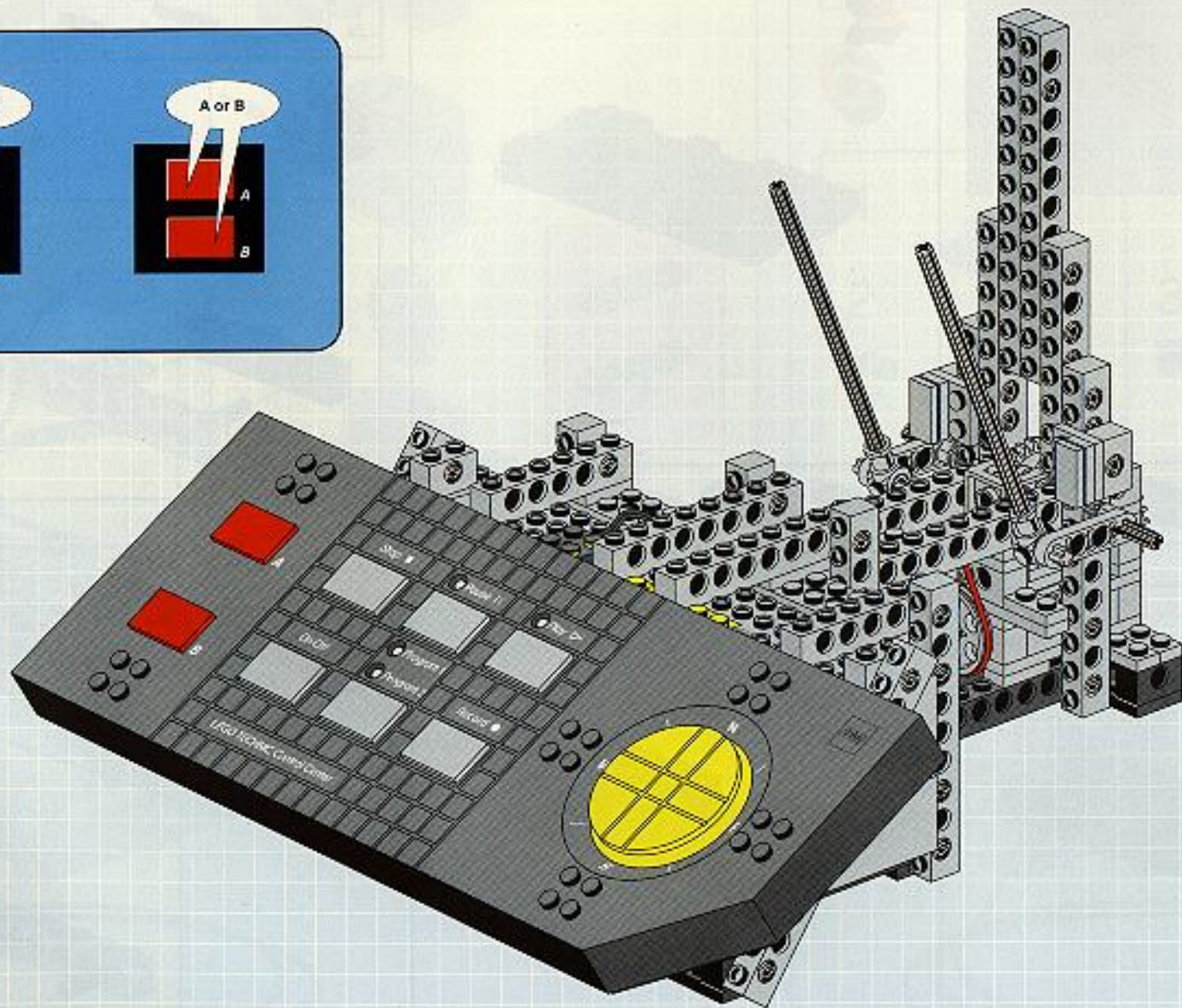
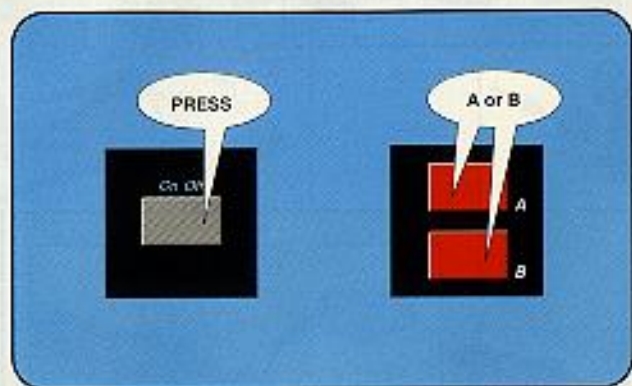


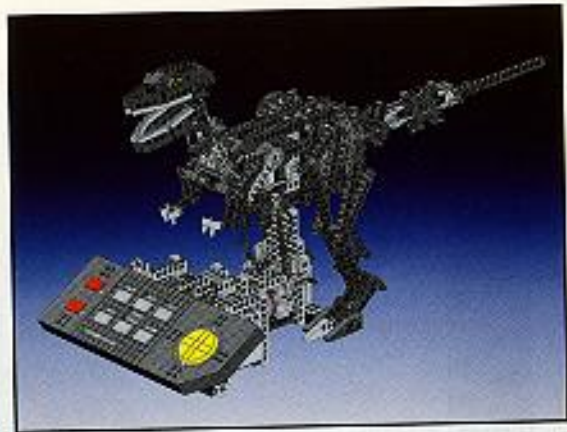




15







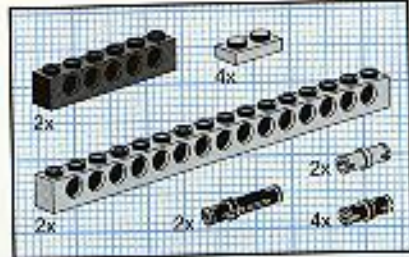
2



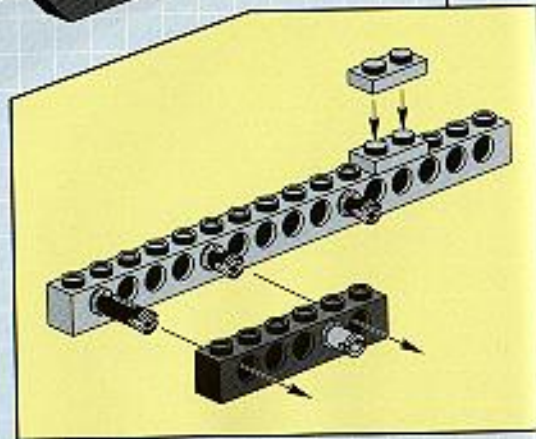
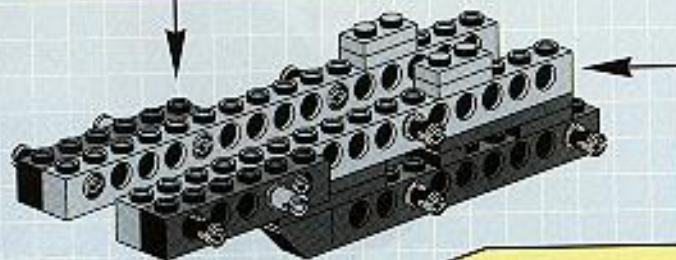
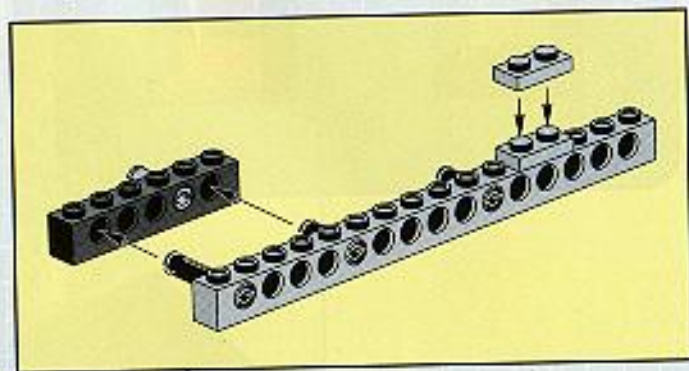
3

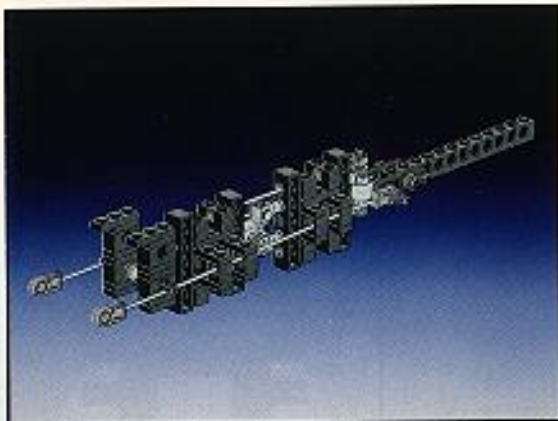


1



4





1



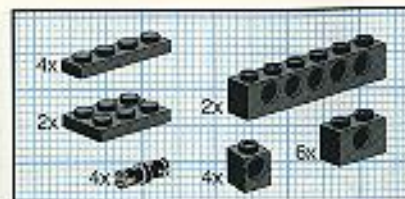
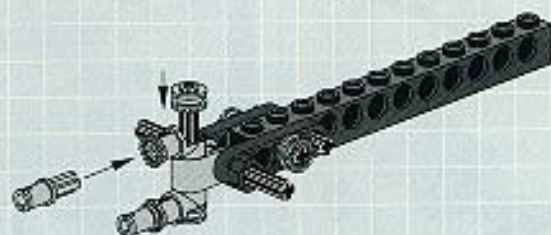
2



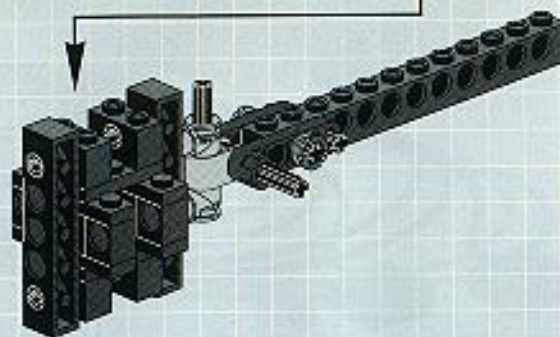
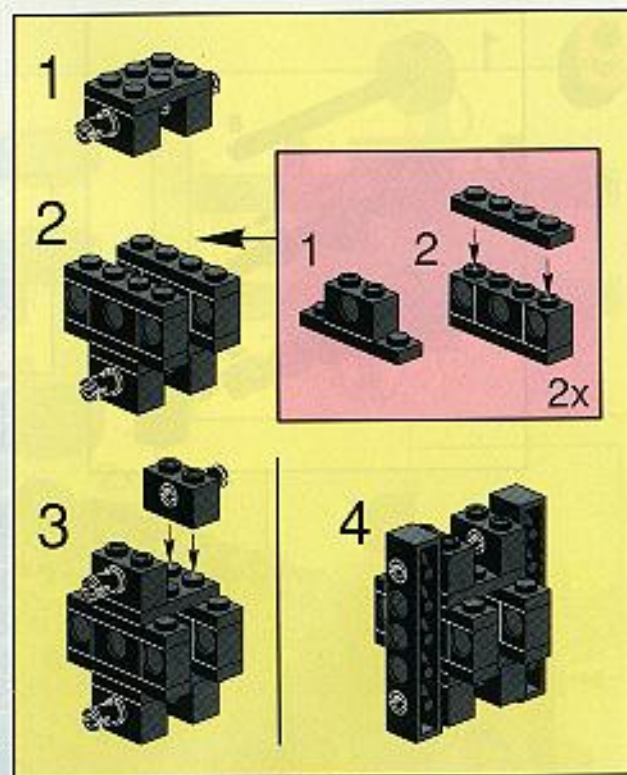
3

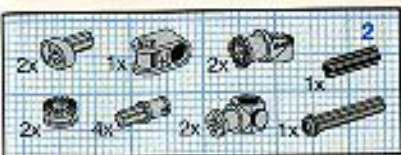


4

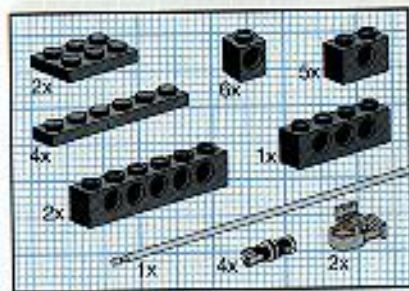
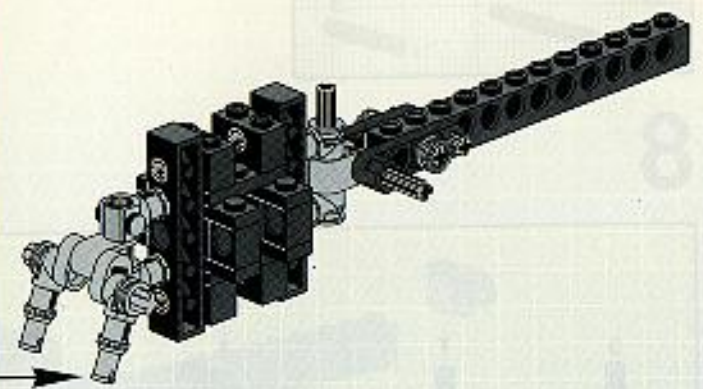
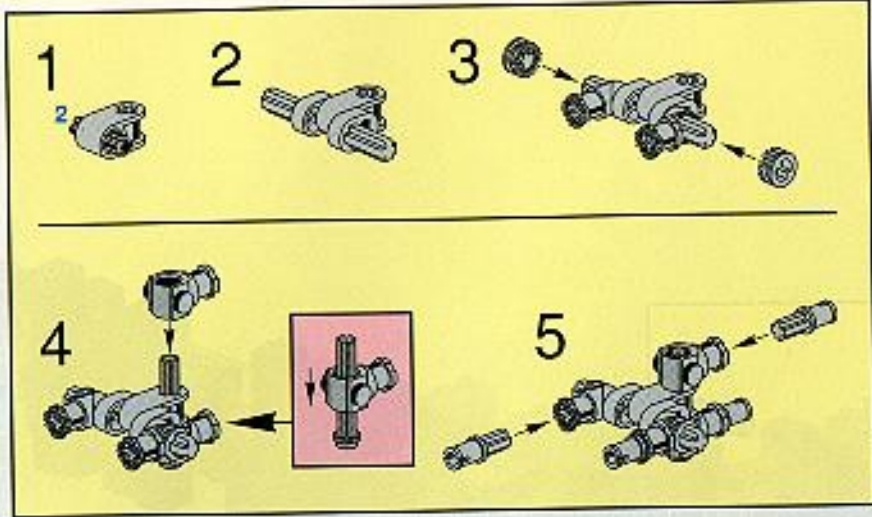


5

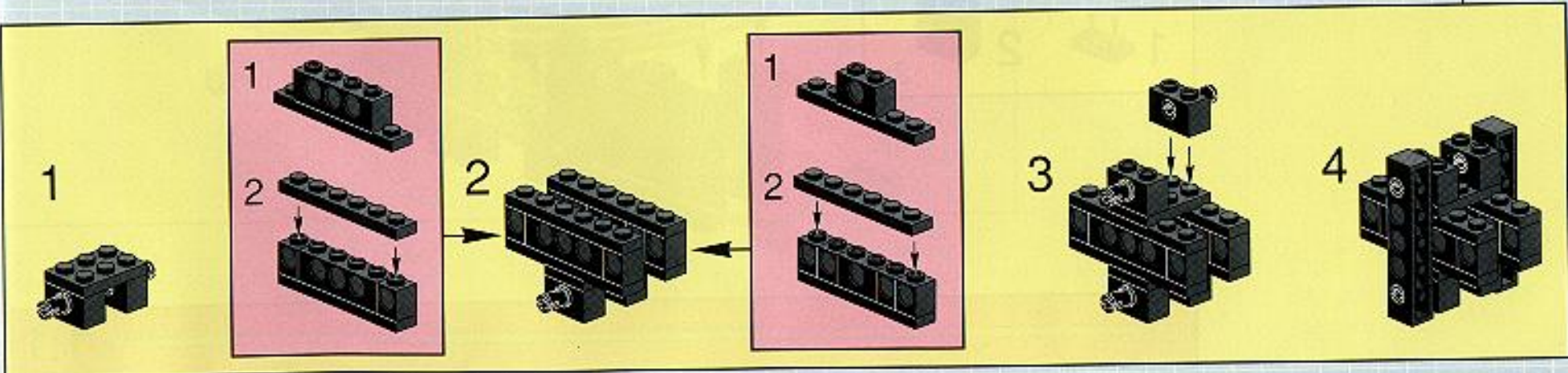
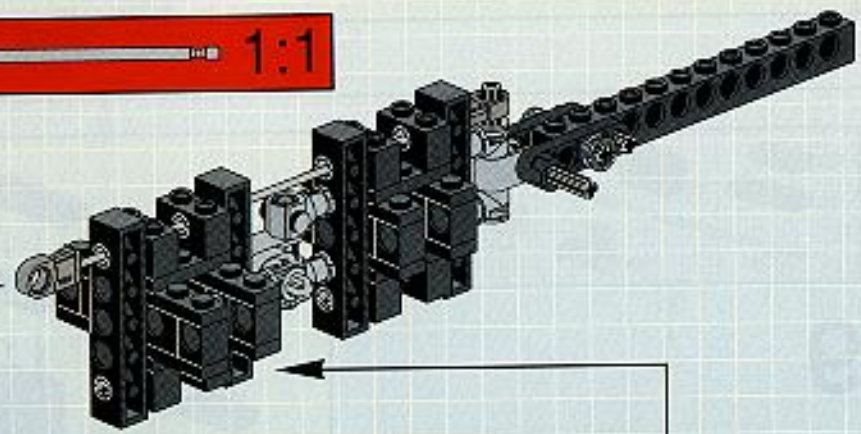
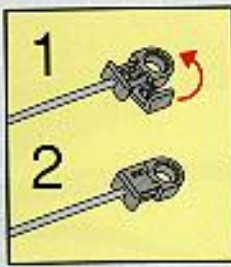


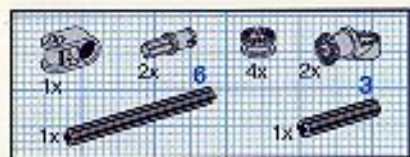


6

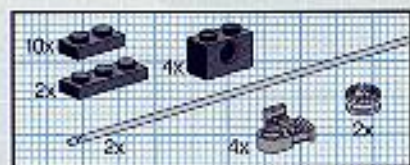
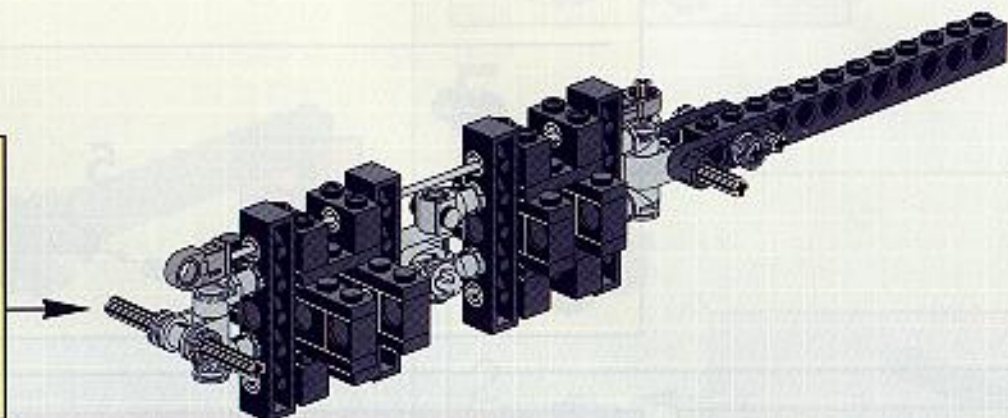
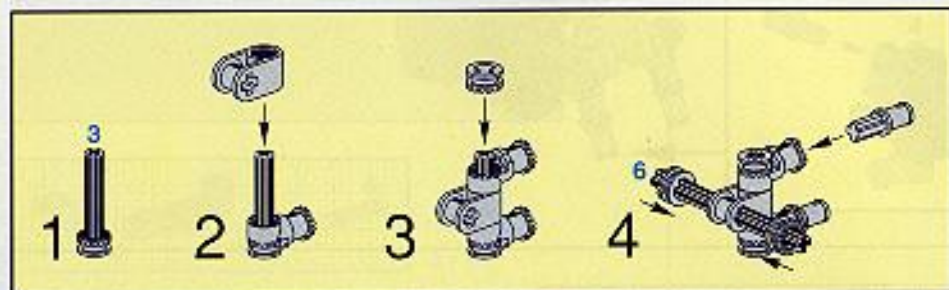


7

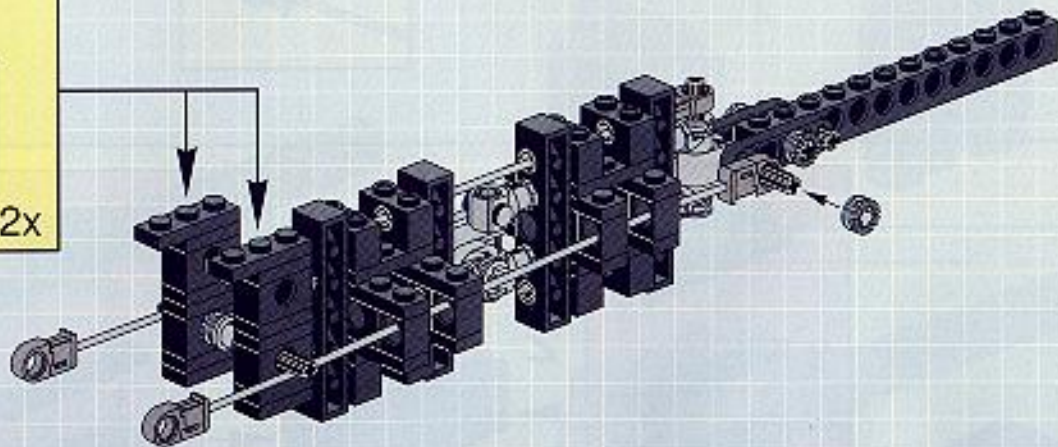
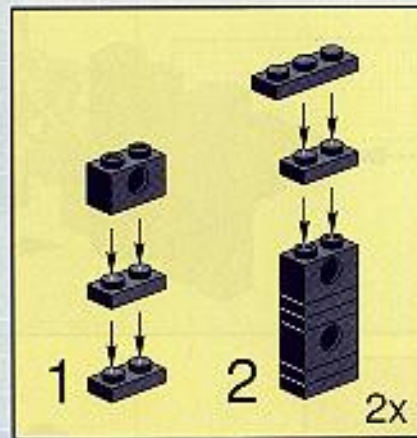




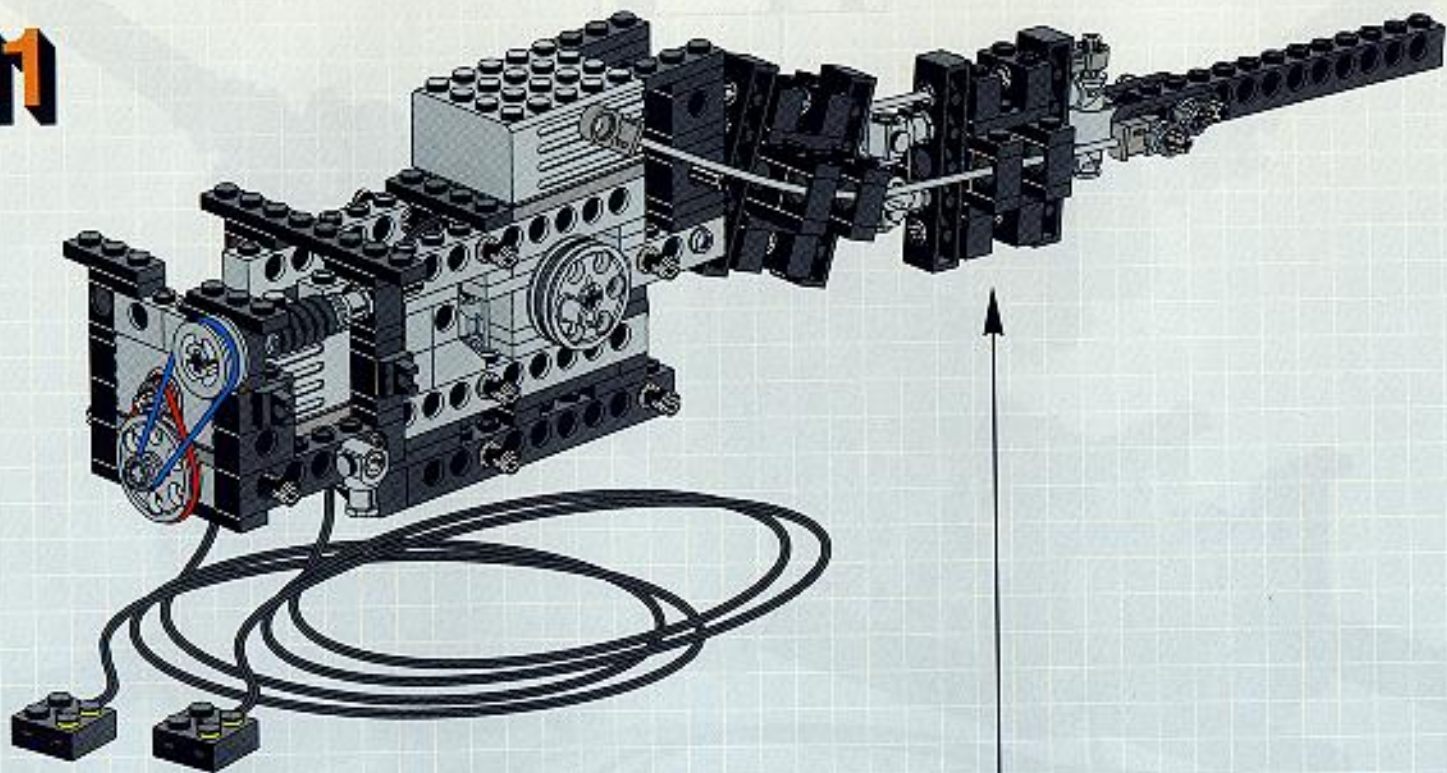
8

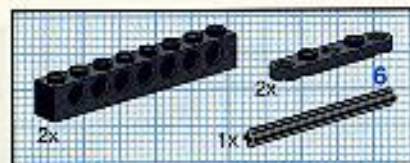


9

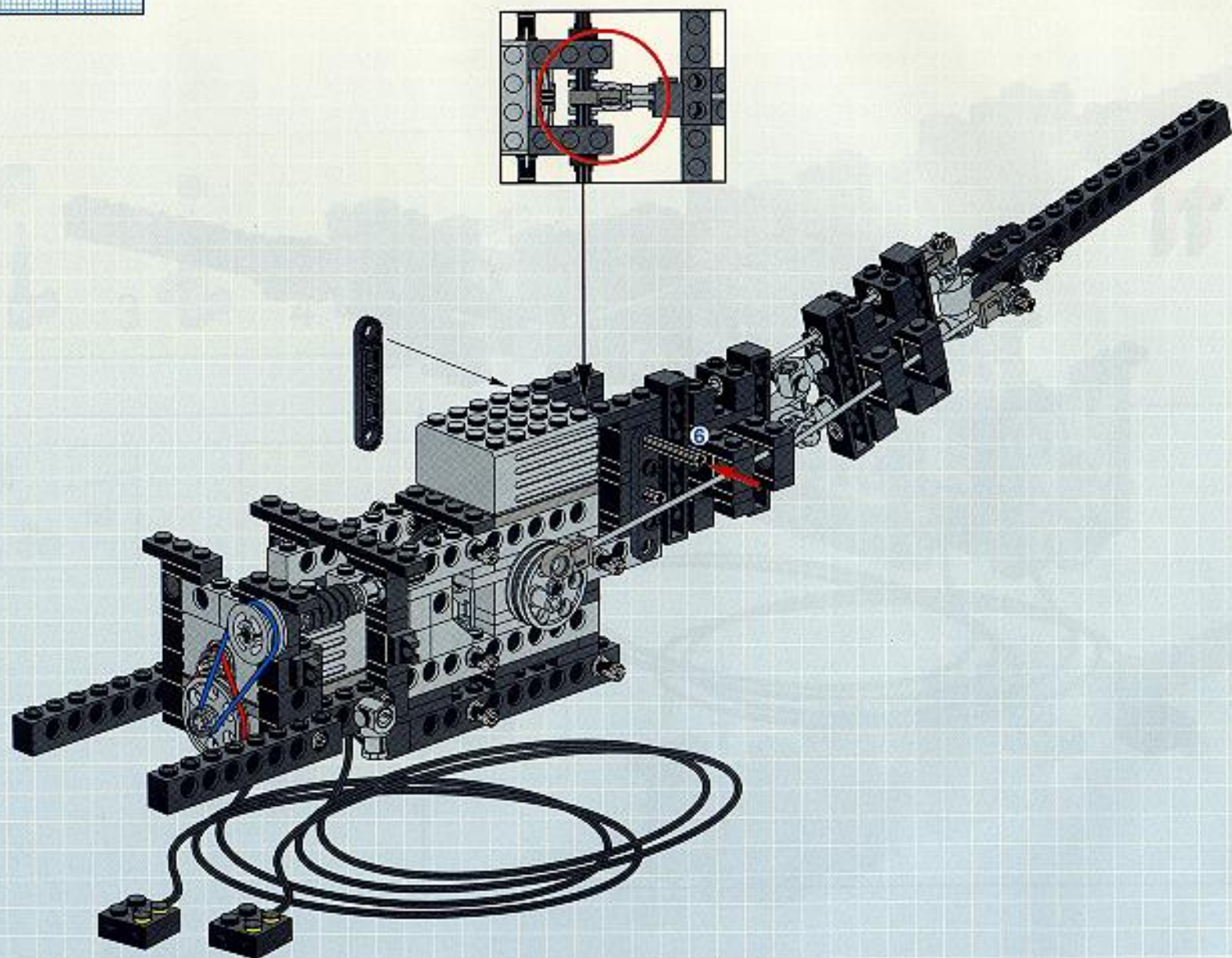


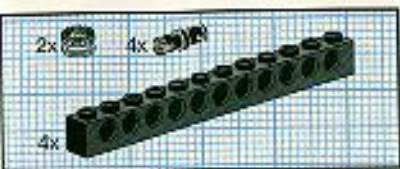
11



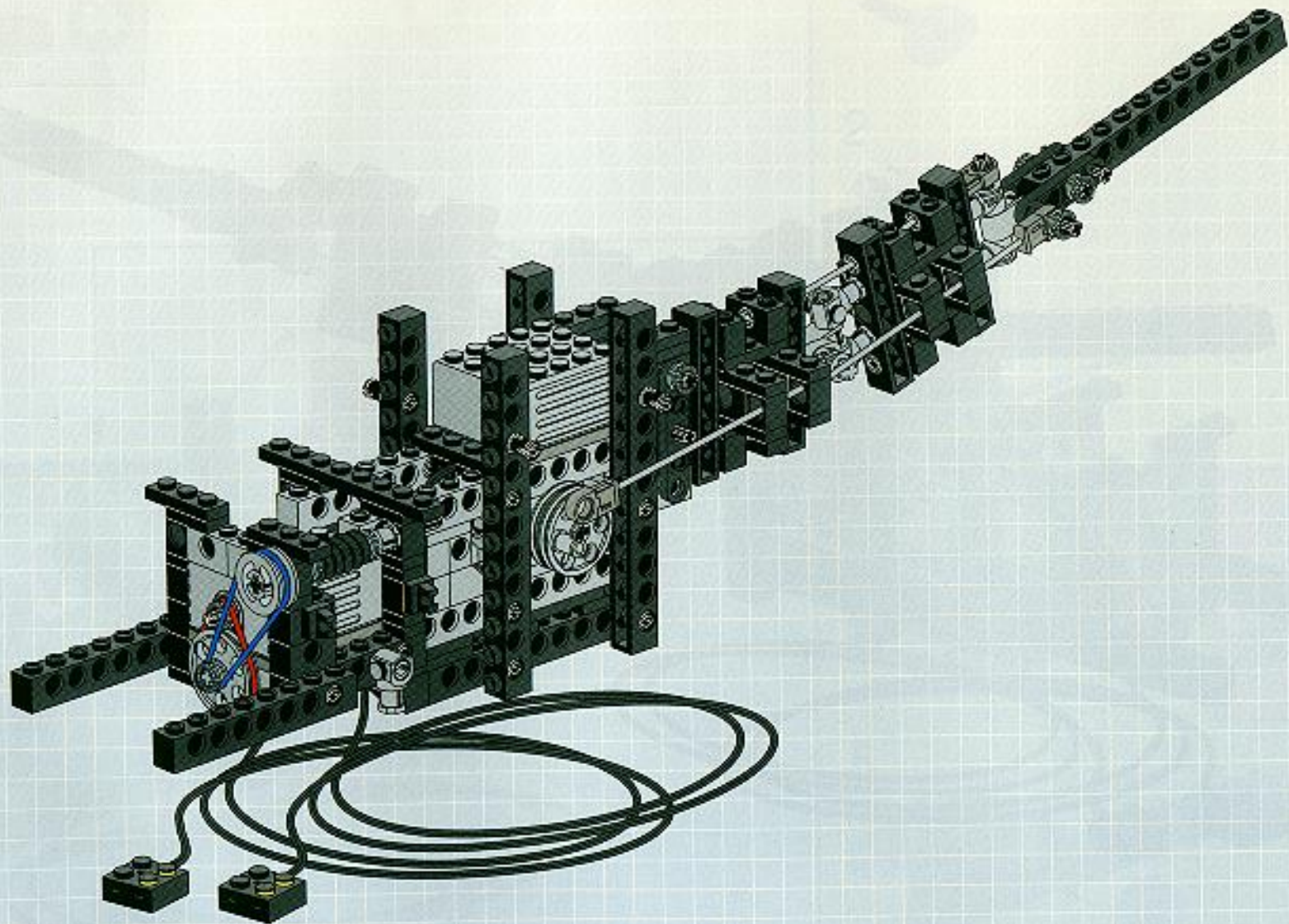


12



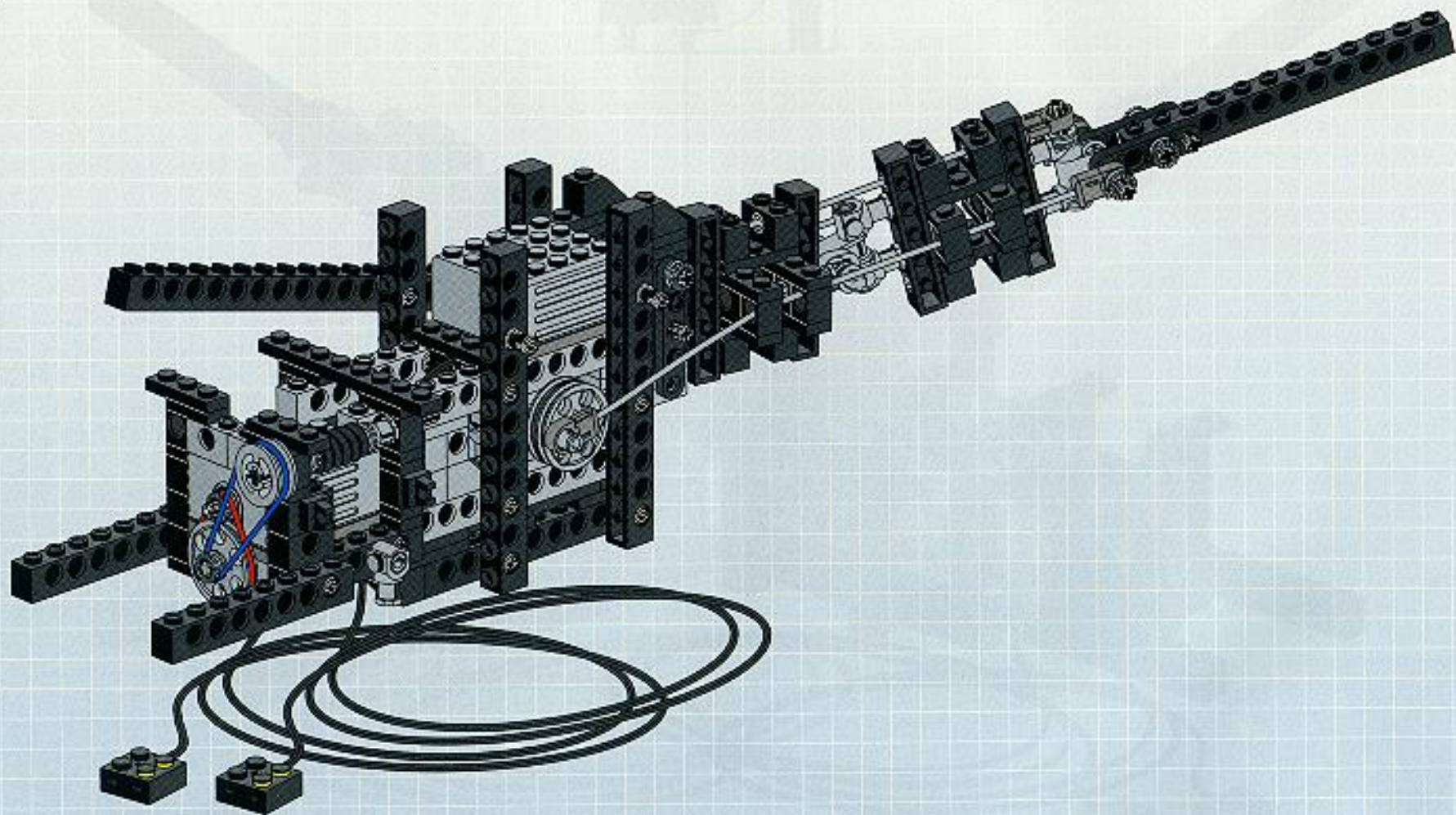


13



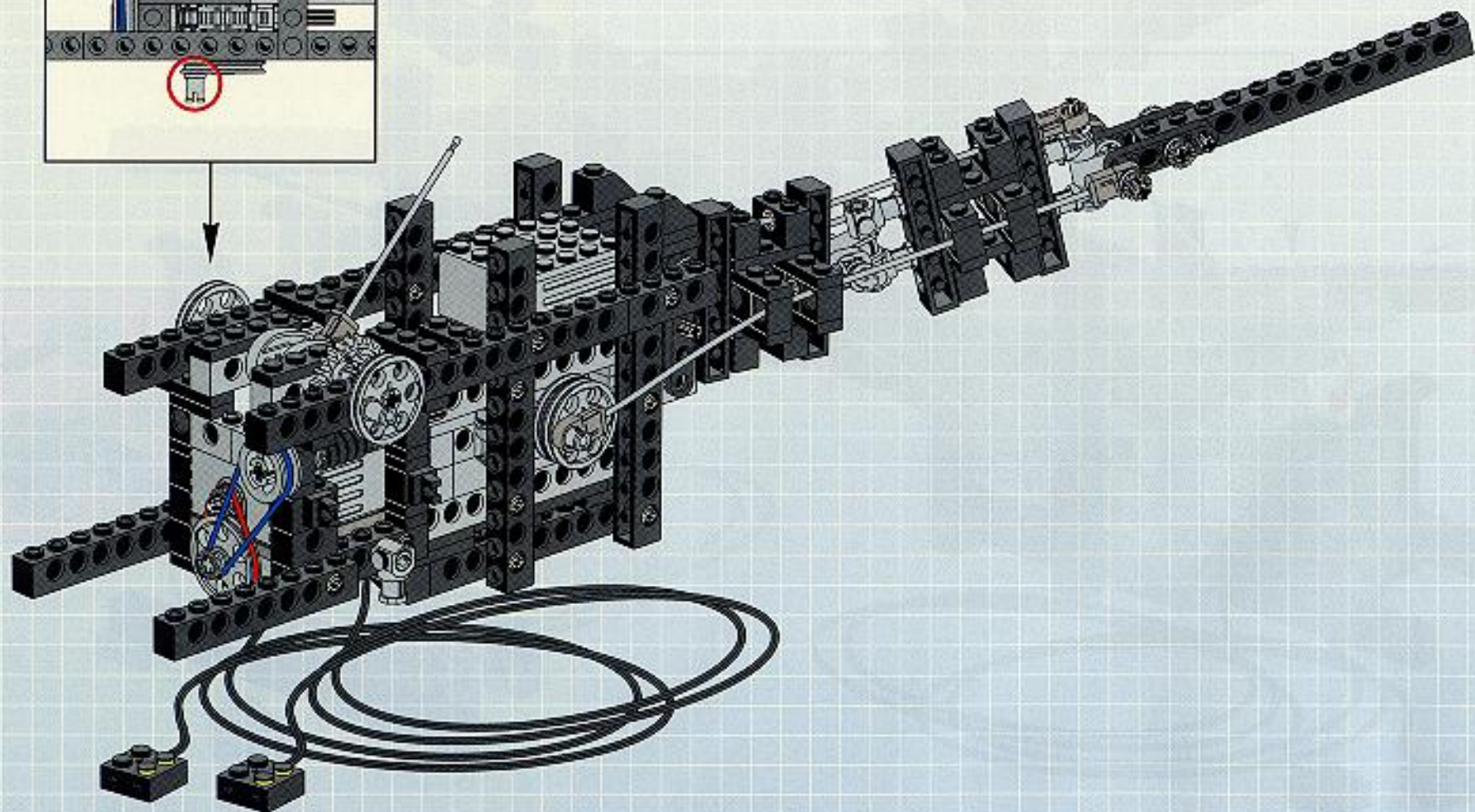
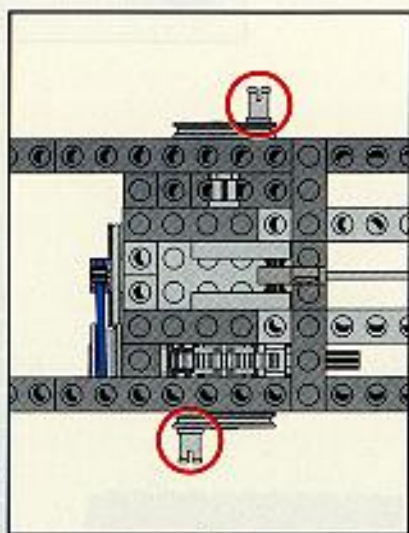


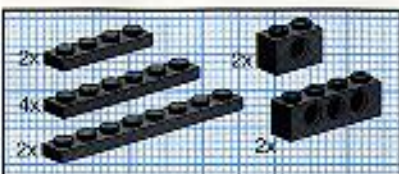
14



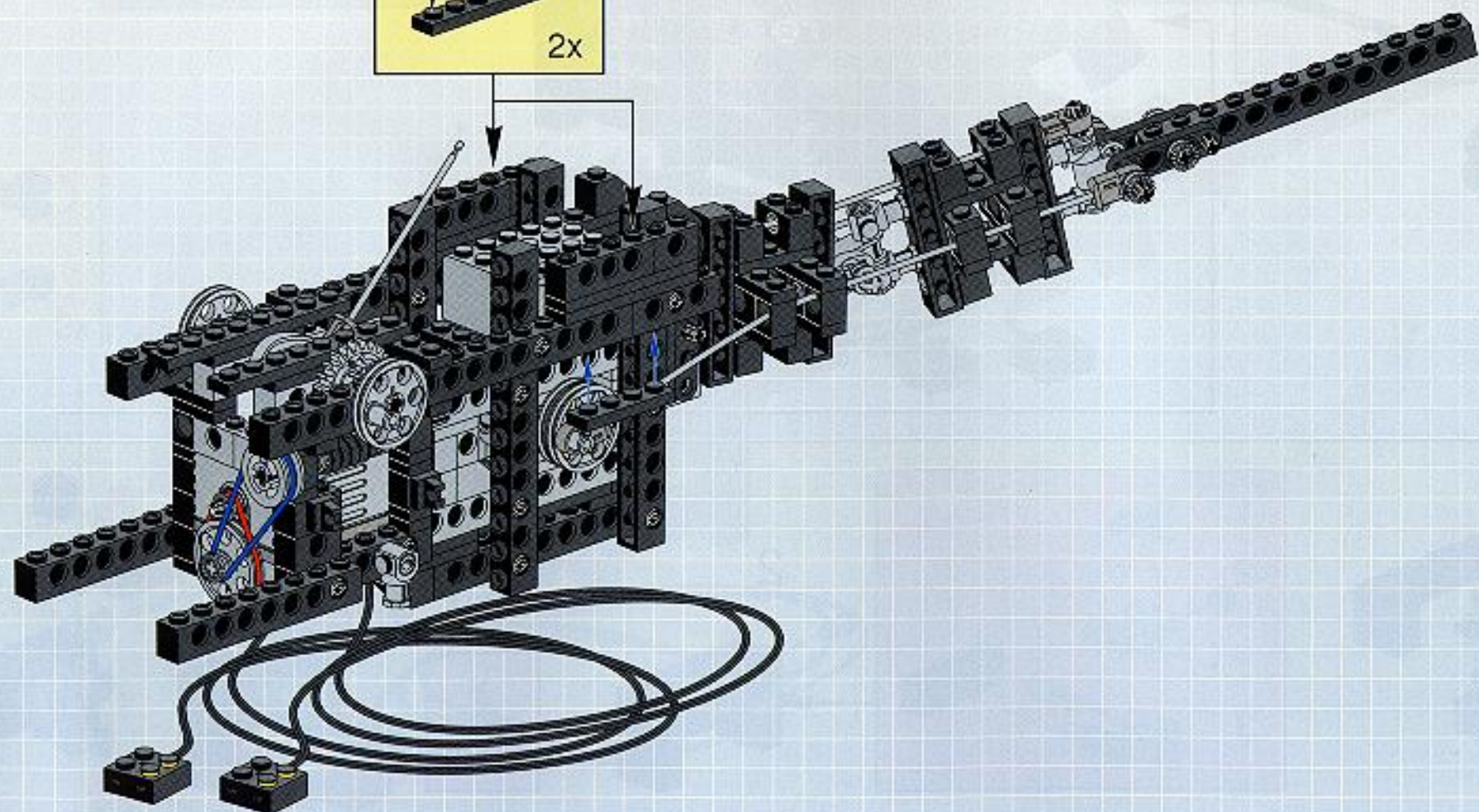
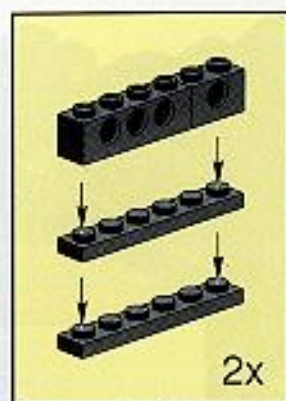


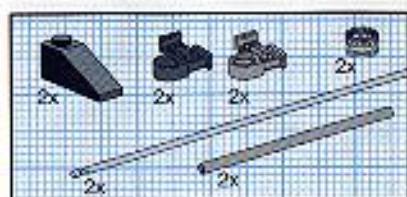
16



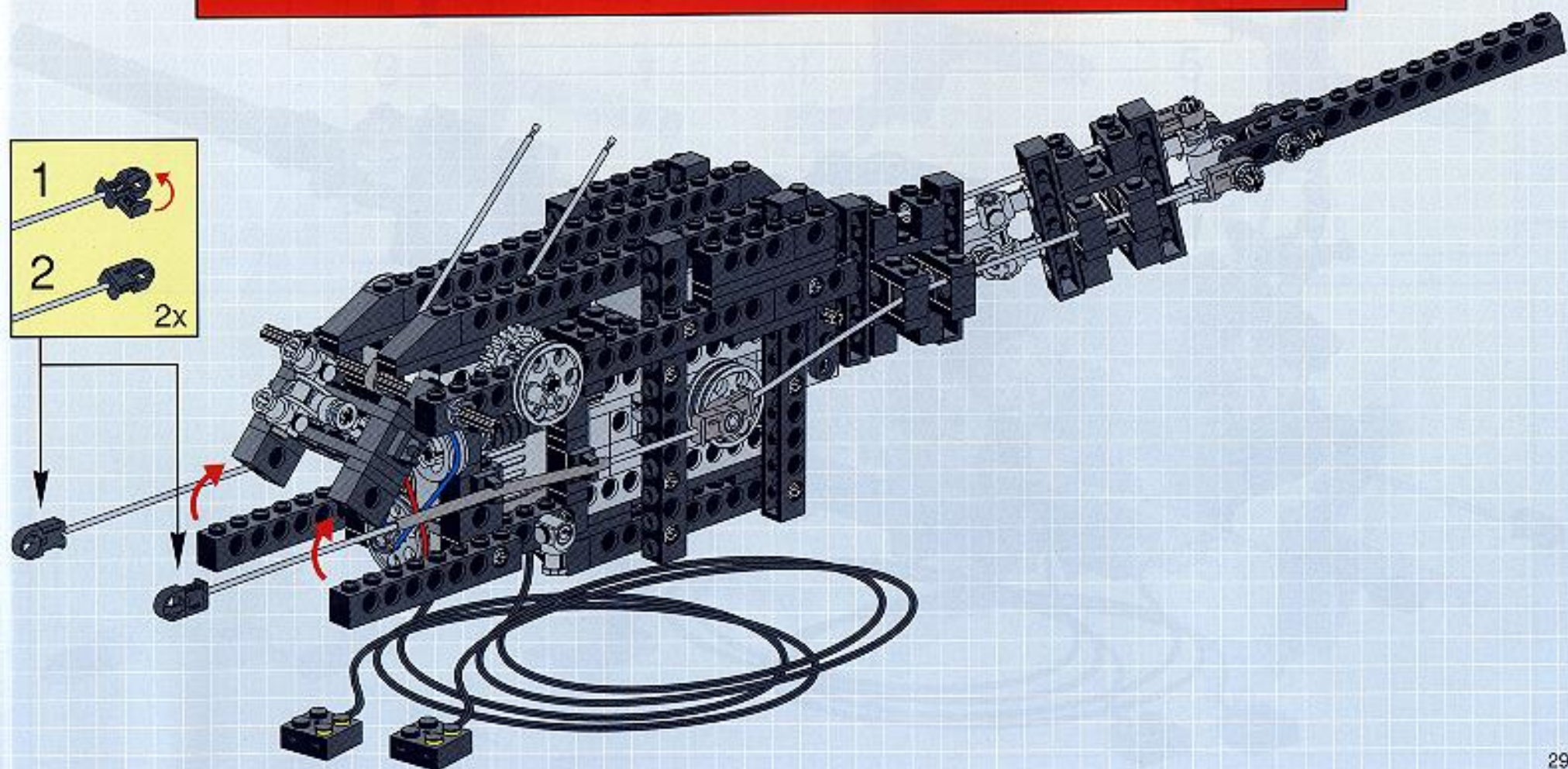
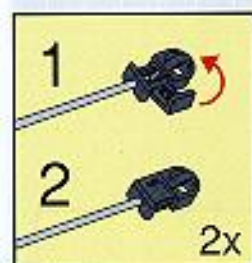


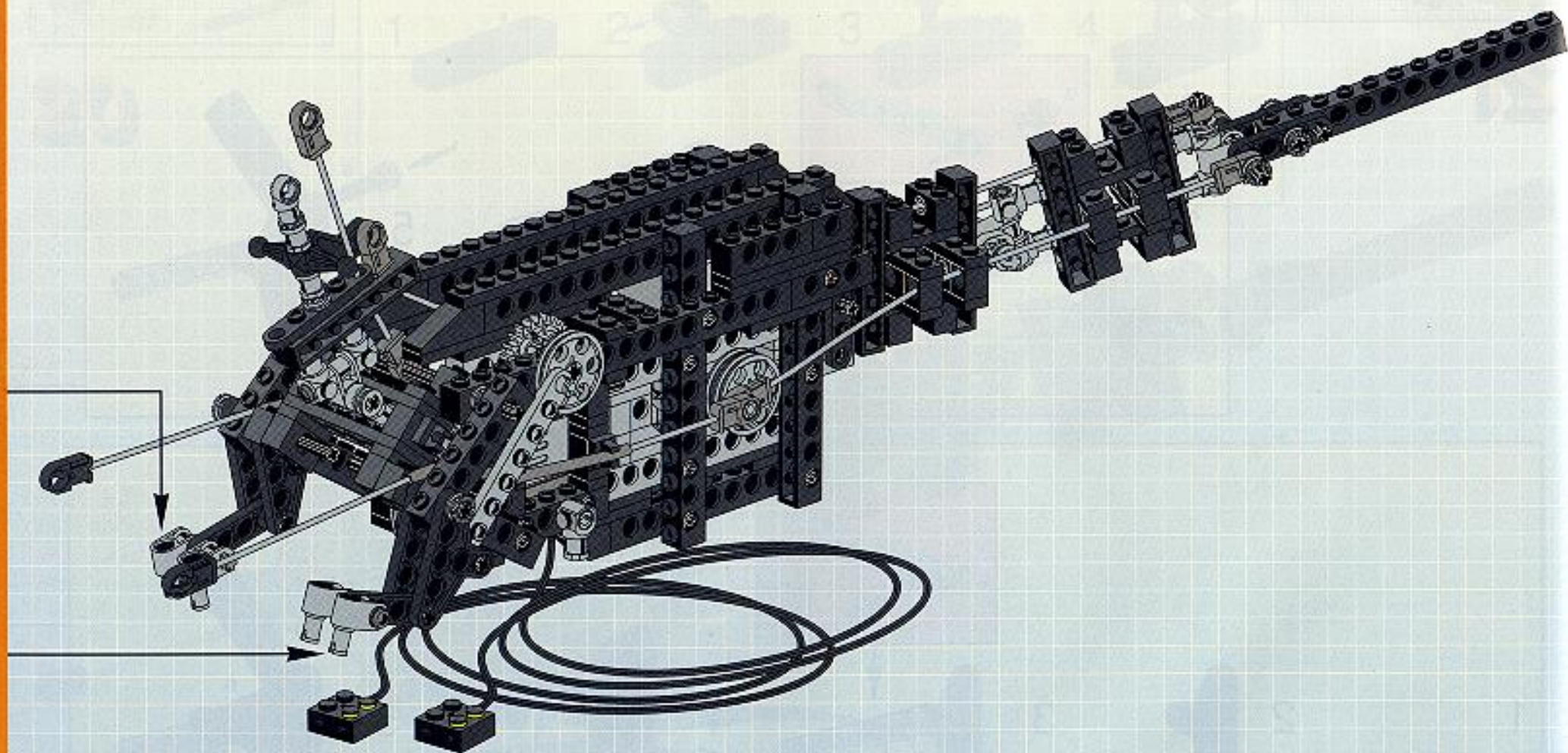
17



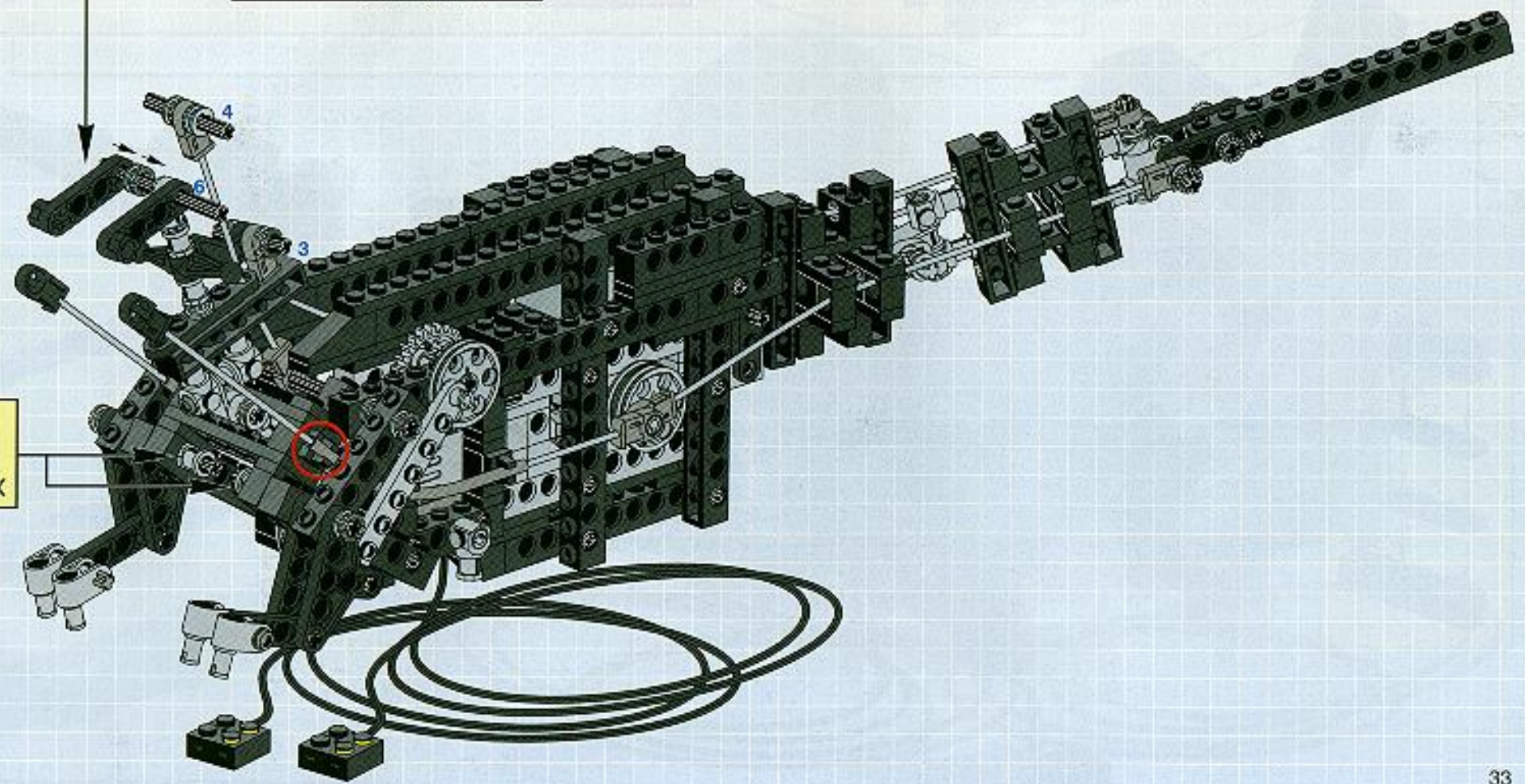
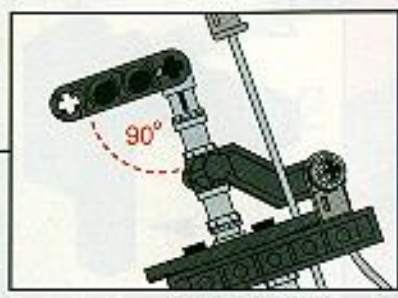
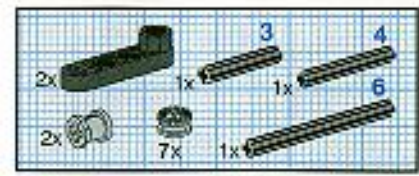


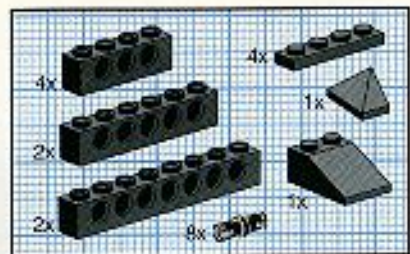
19



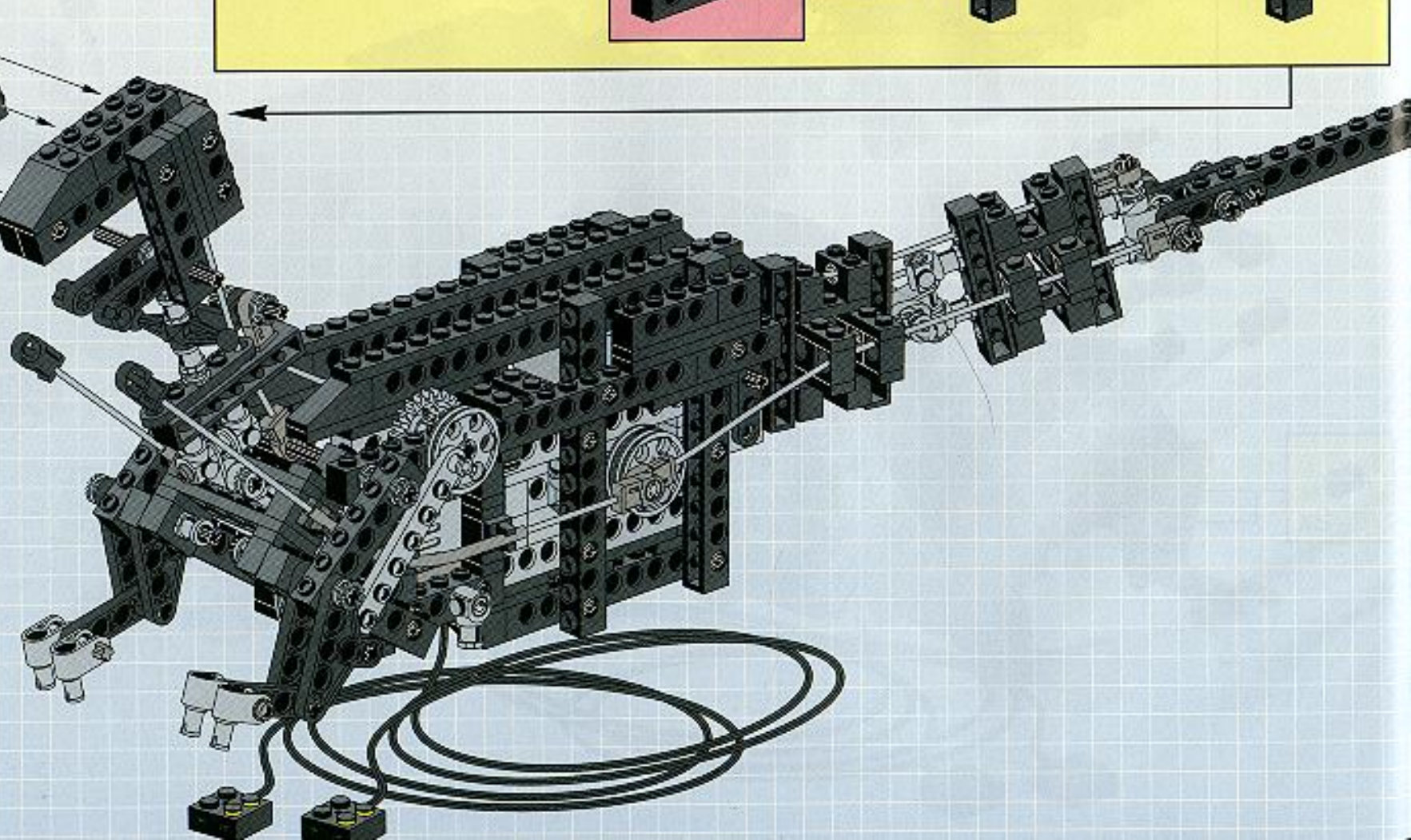
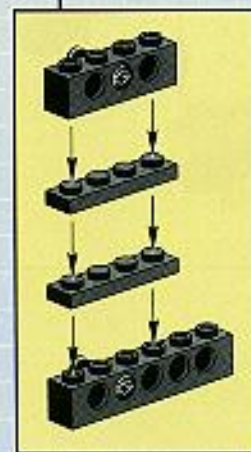
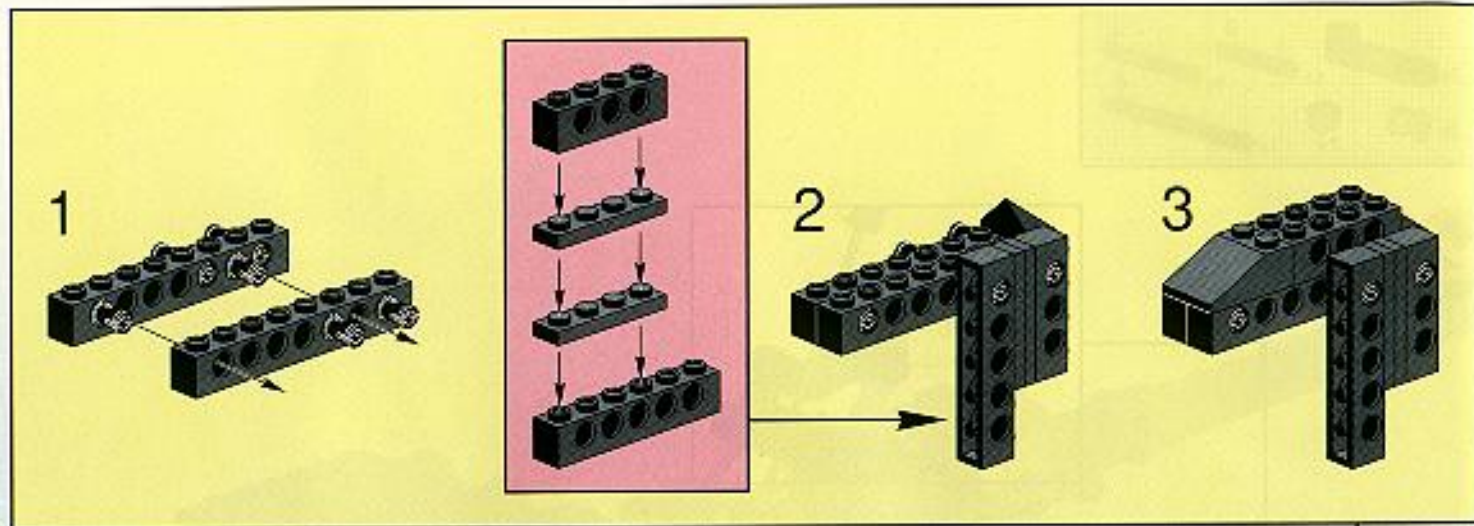


22



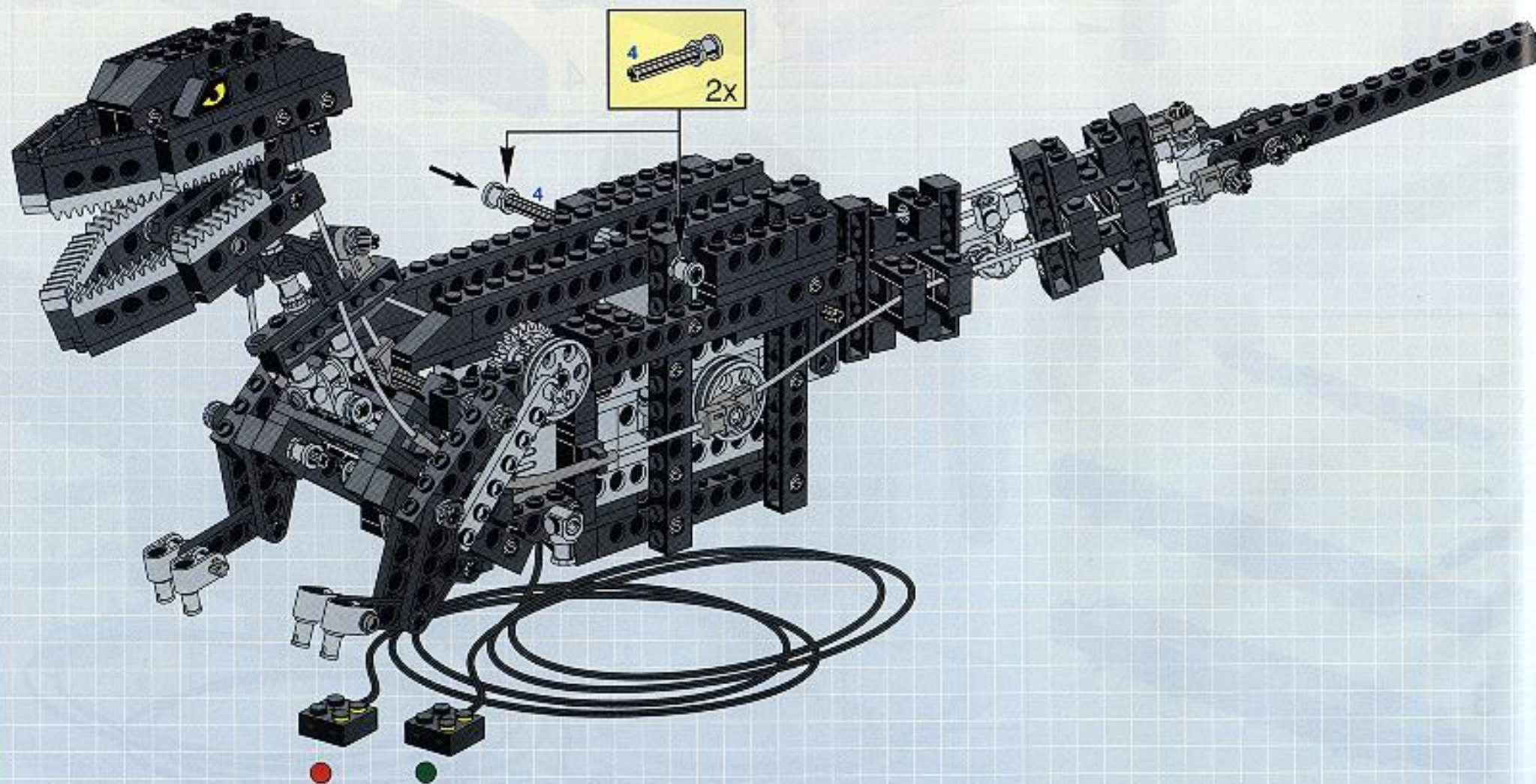


23

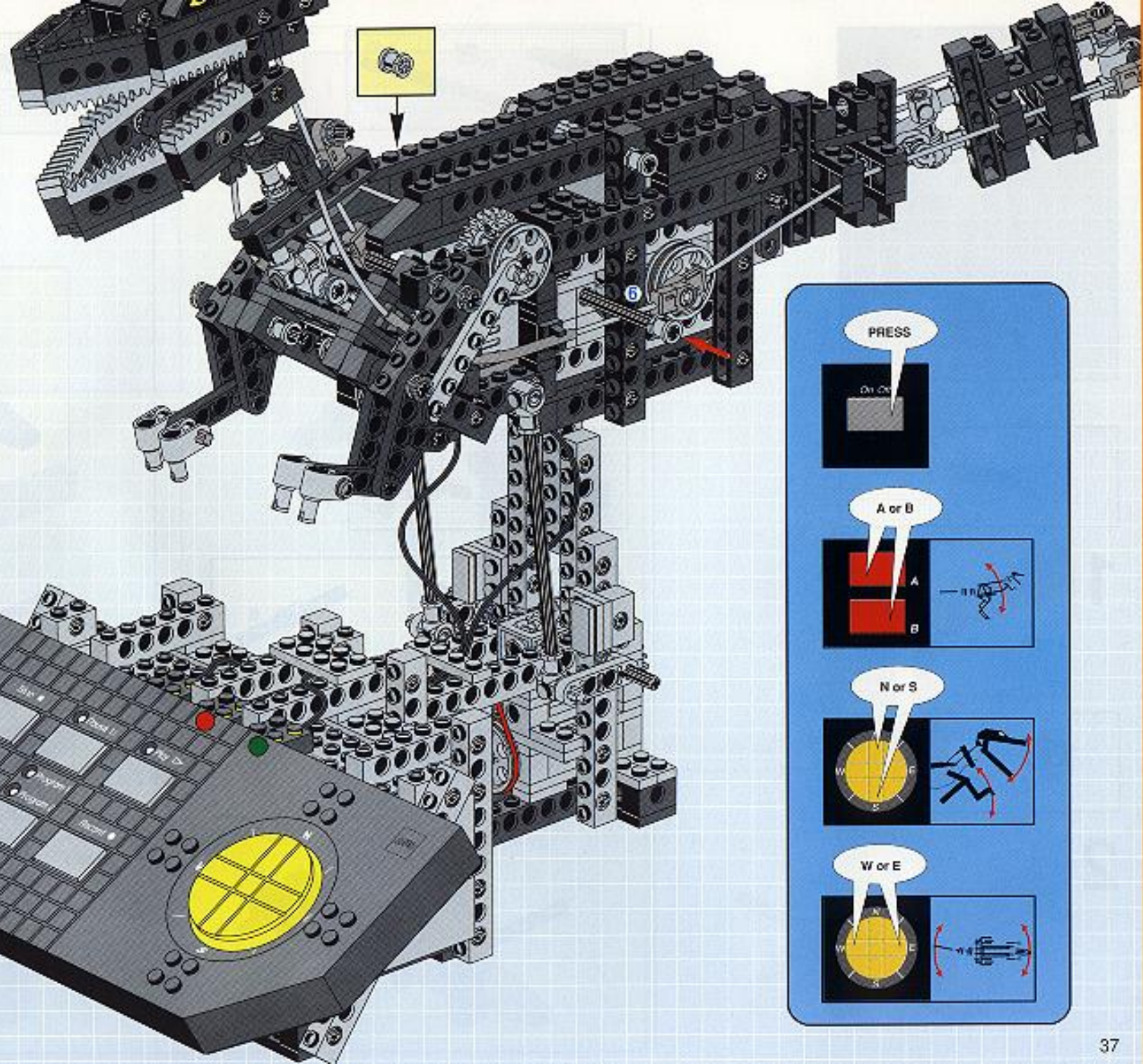
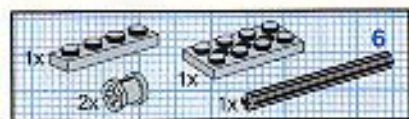




25



26

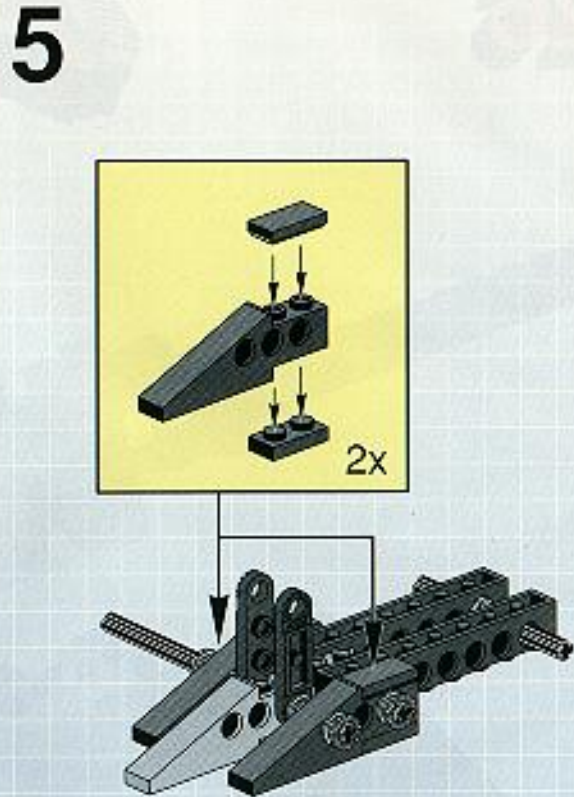
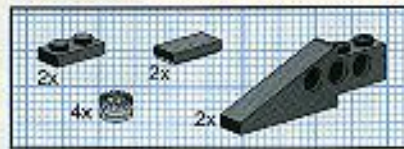
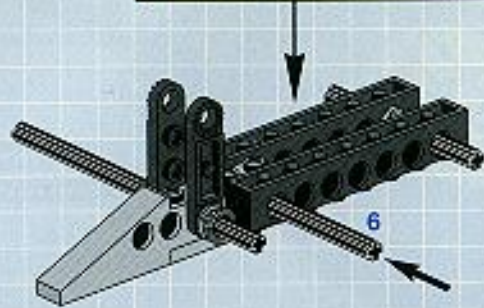
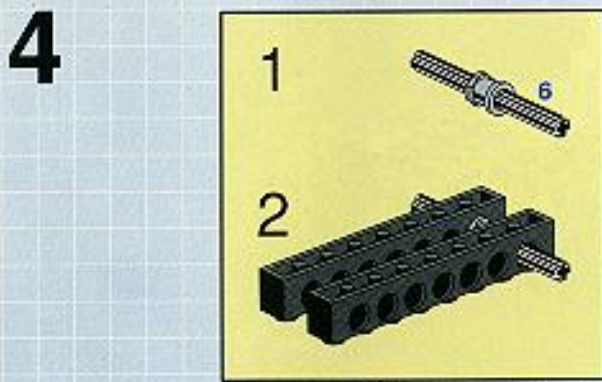
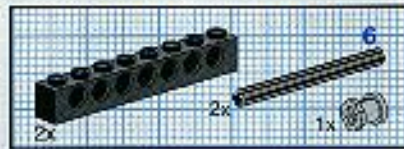
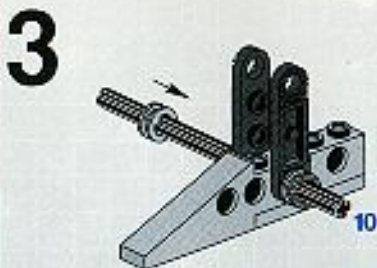
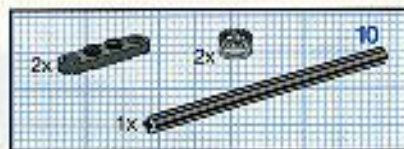
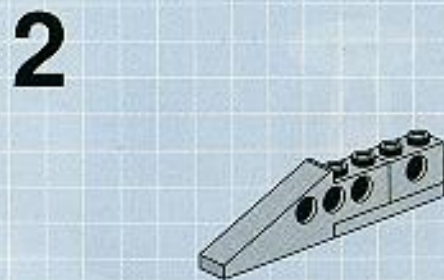
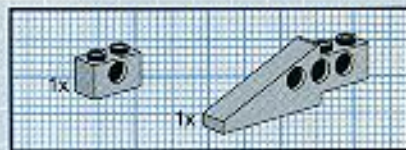
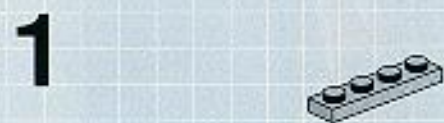


PRESS

A or B

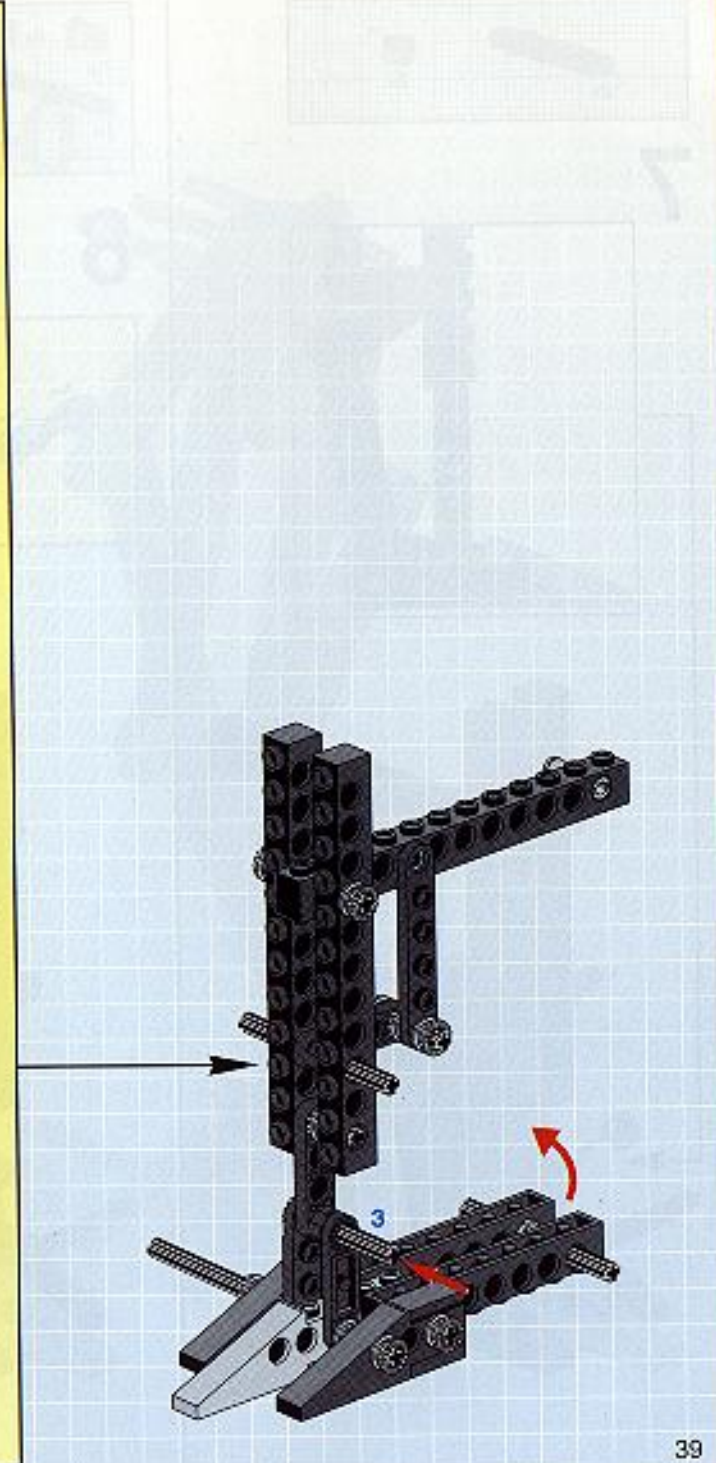
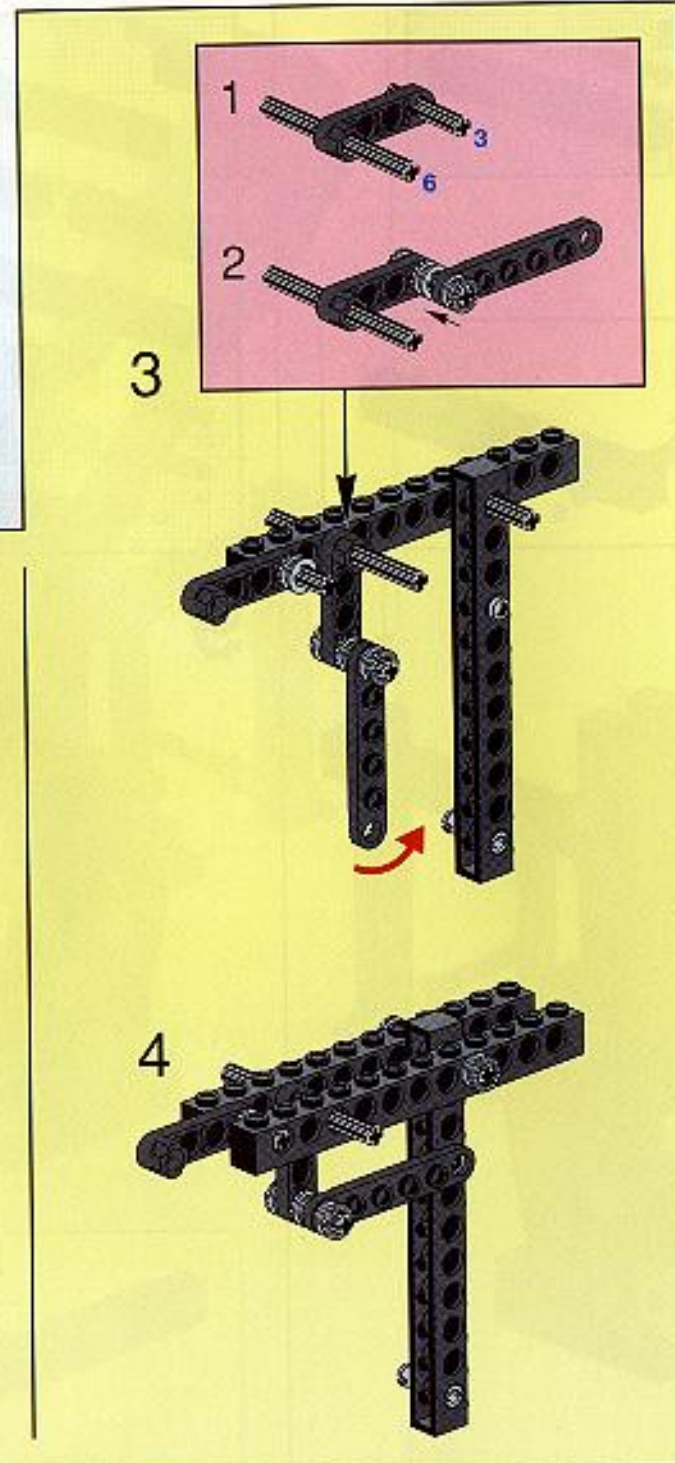
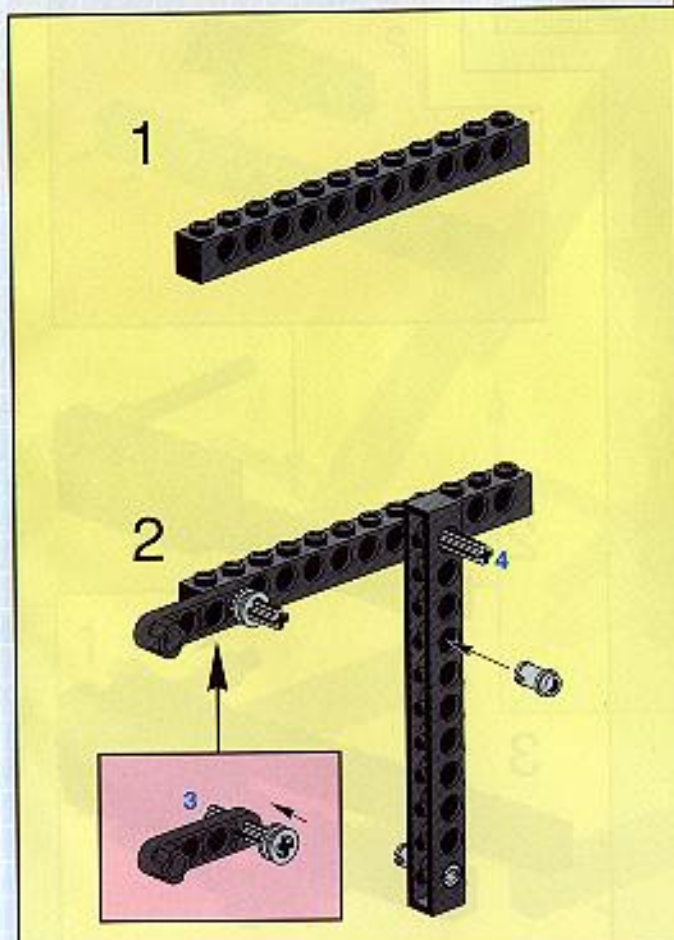
N or S

W or E





6



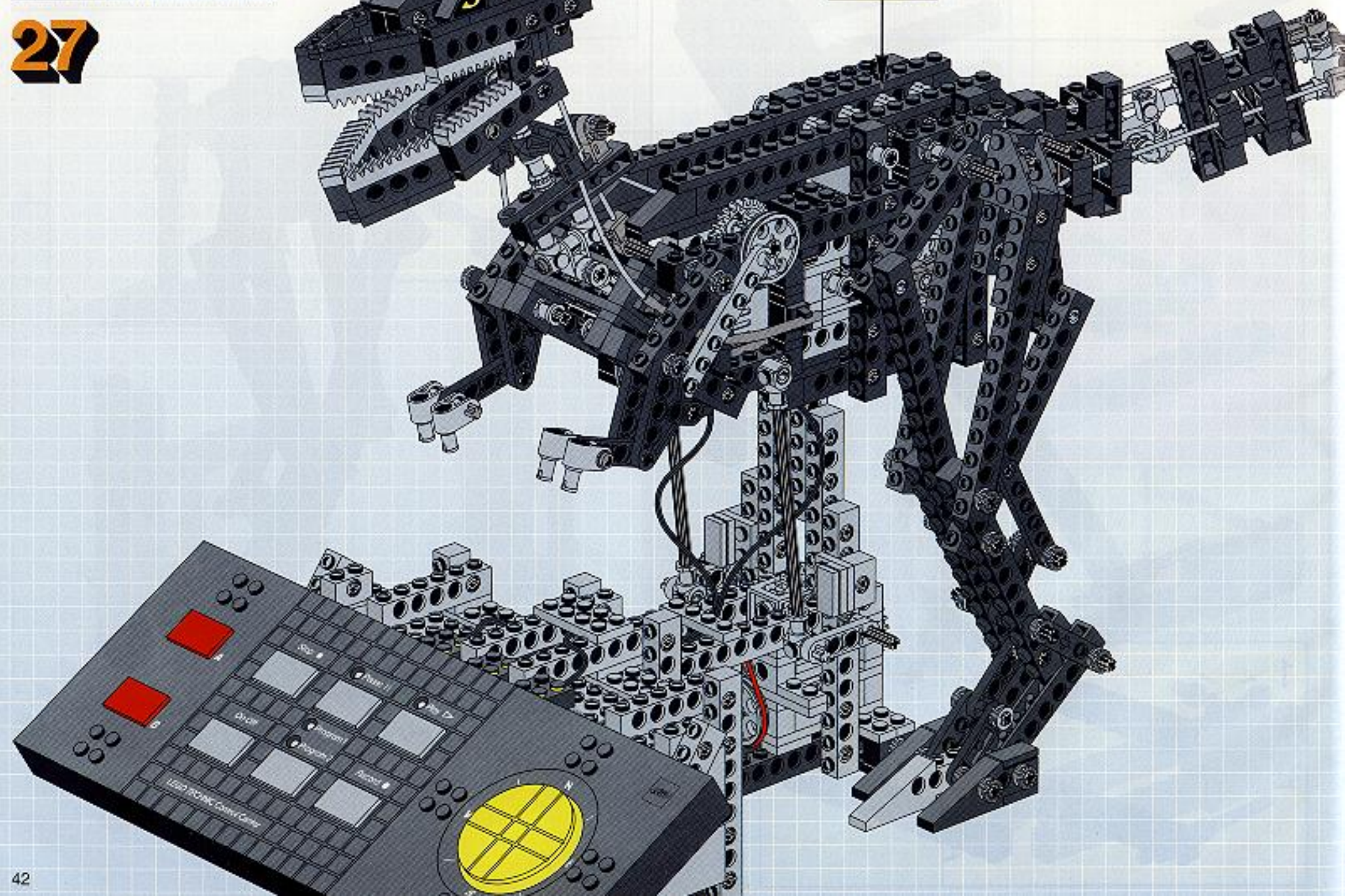
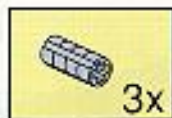


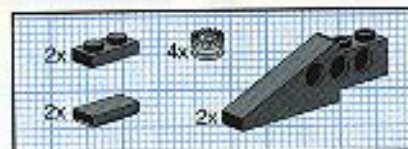
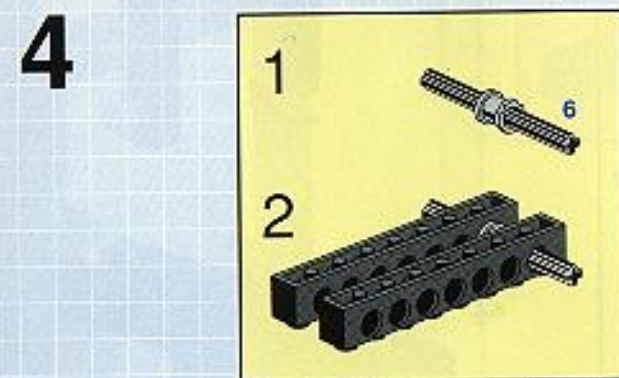
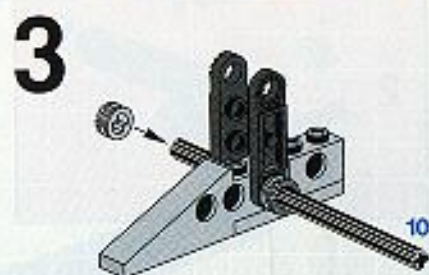
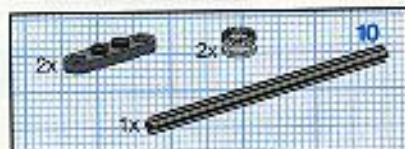
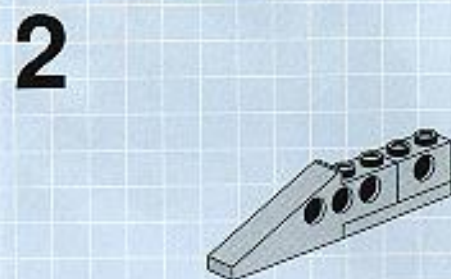
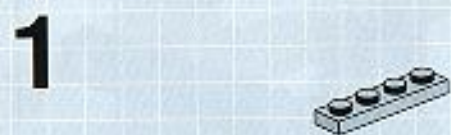
10



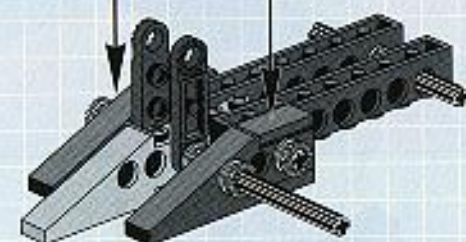
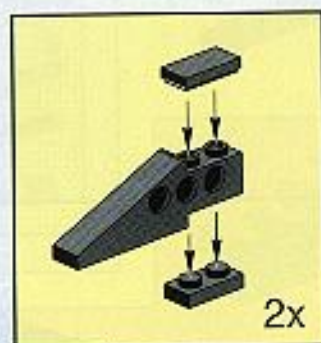


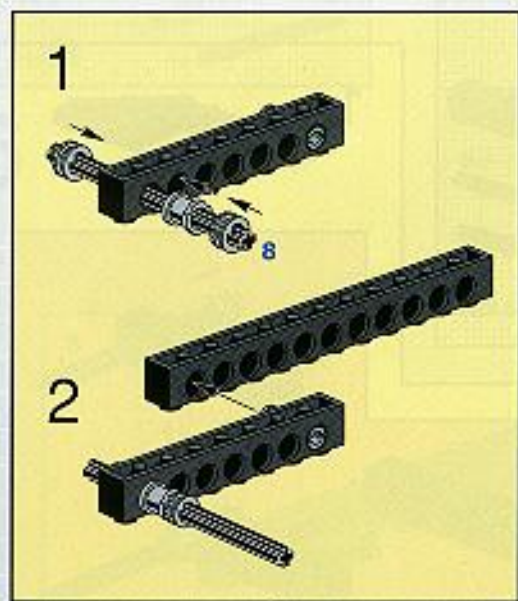
27





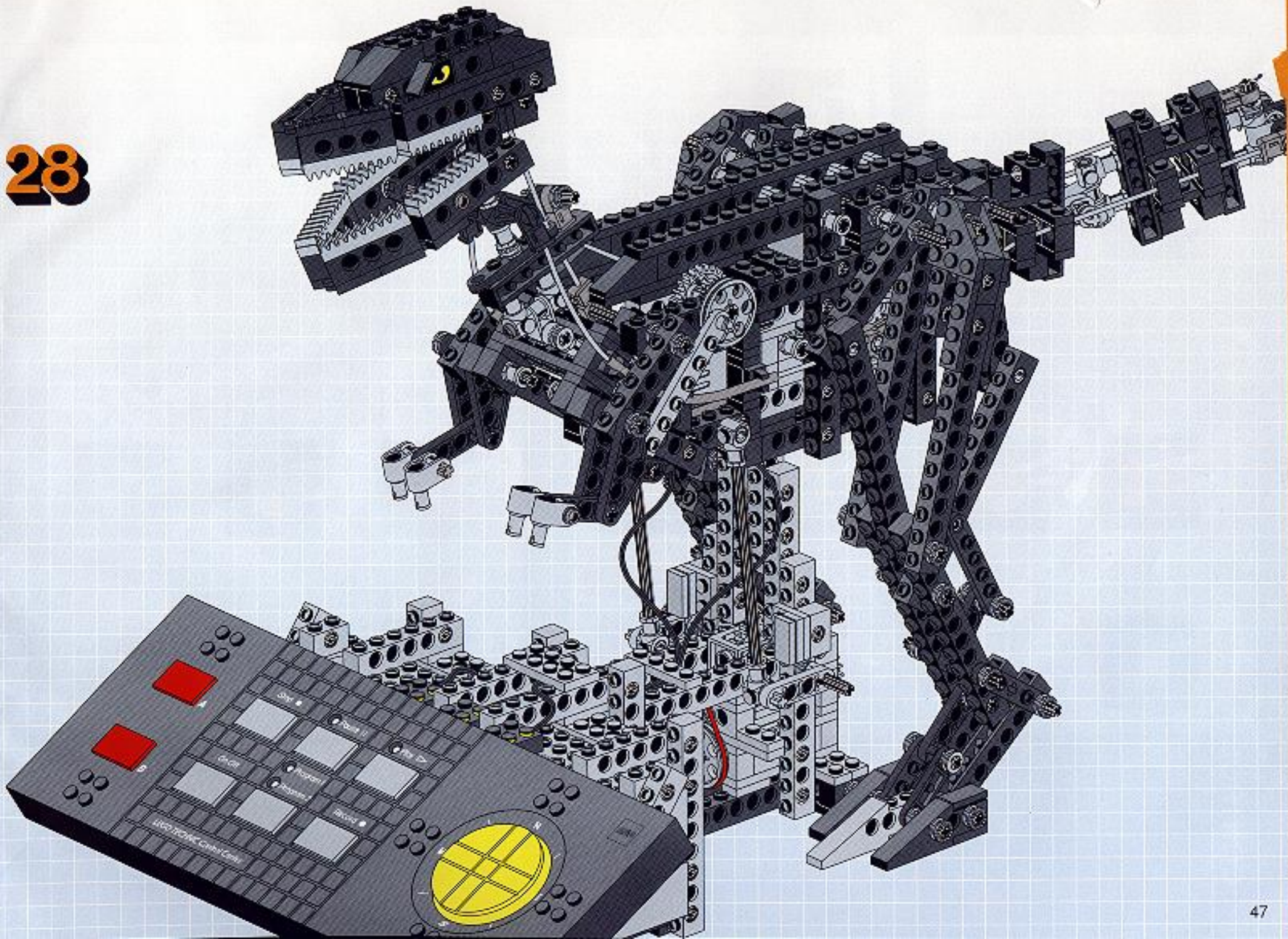
5



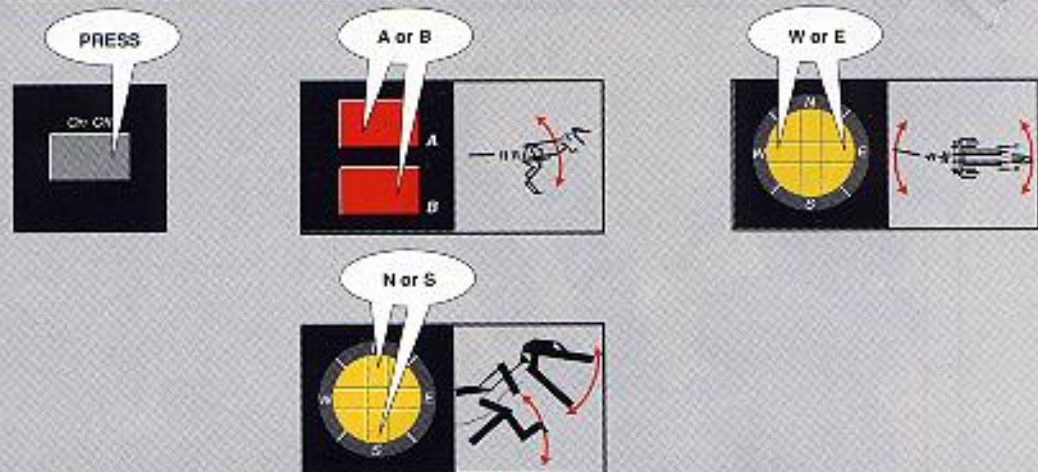


10

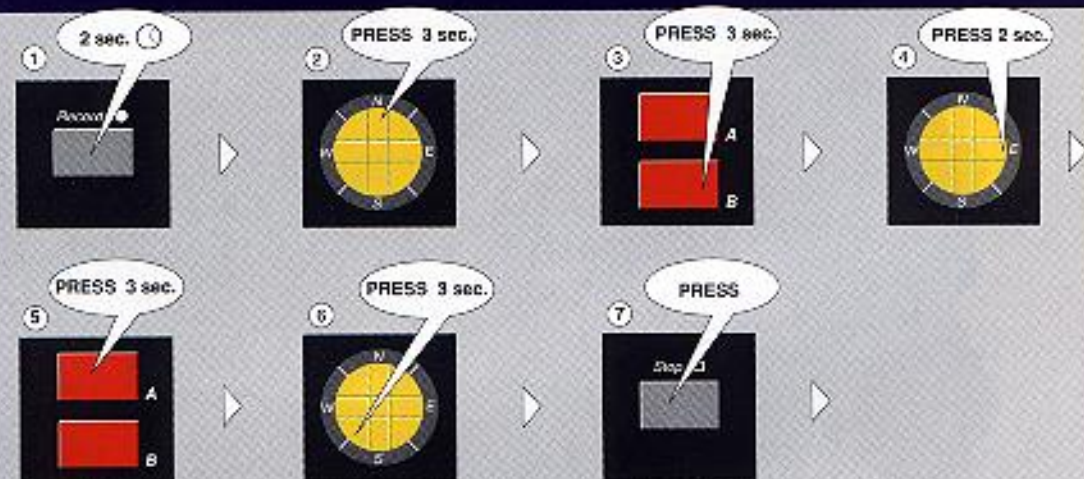




CONTROL



RECORD



PLAY

