

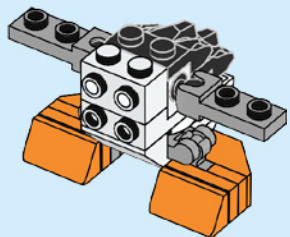
7 [LEGO.com/creator](https://www.lego.com/en-us/service/buildinginstructions)

[LEGO.com/service](https://www.lego.com/en-us/service/buildinginstructions)

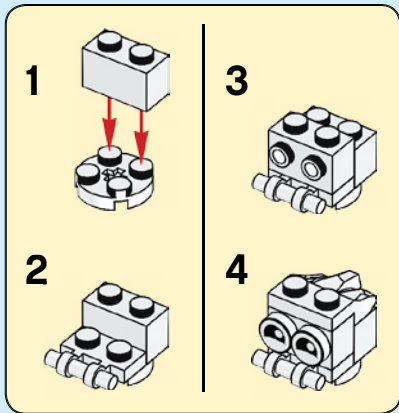
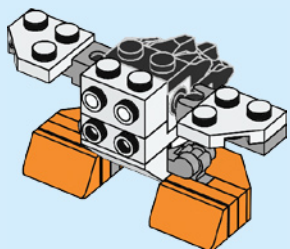
LEGO and the LEGO logo are trademarks of the LEGO Group.
©2019 The LEGO Group. 6268836



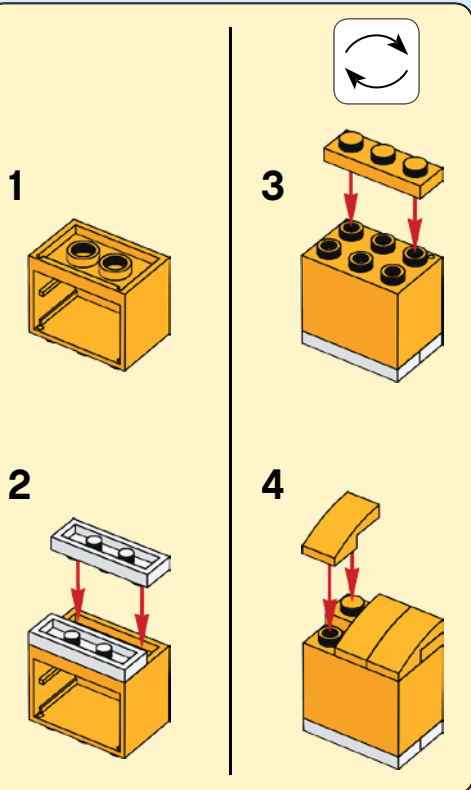
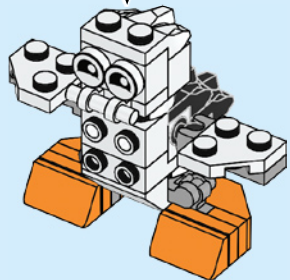
10



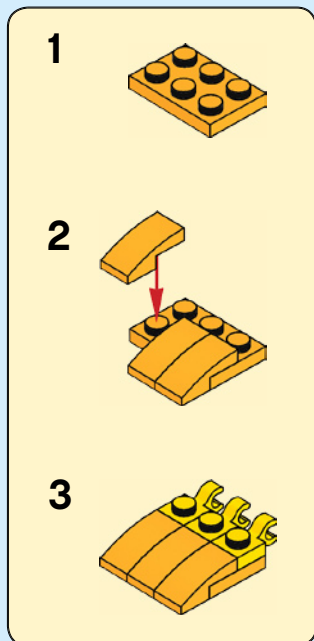
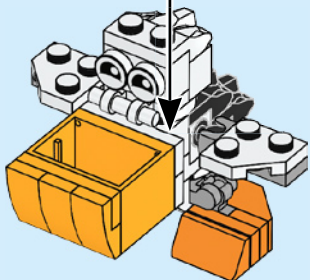
11



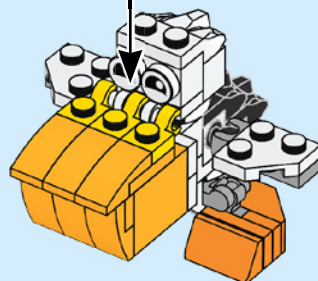
12



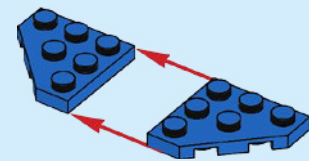
13



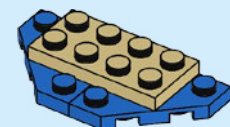
14



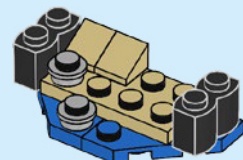
1



2



3



4

