



SPEED
CHAMPIONS

76916





 **FR**
DONNEZ
OU
RECYCLEZ

 OU  OU 

ASSOCIATION MAGASIN DÉCHÈTERIE

Adresses sur quefairedemesdechets.fr



LEGO.com/sustainable-packaging



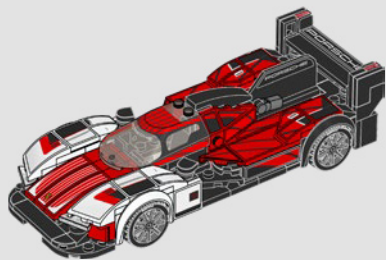
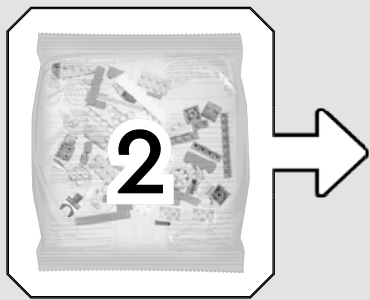
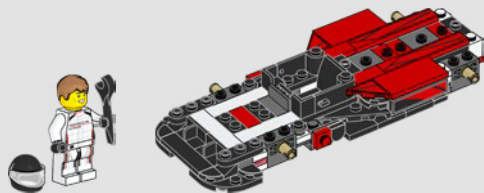
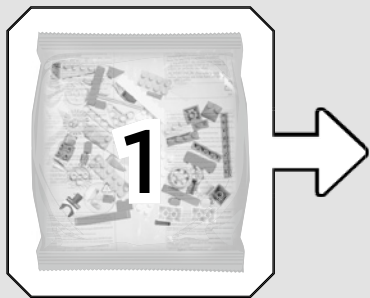
BUILDER

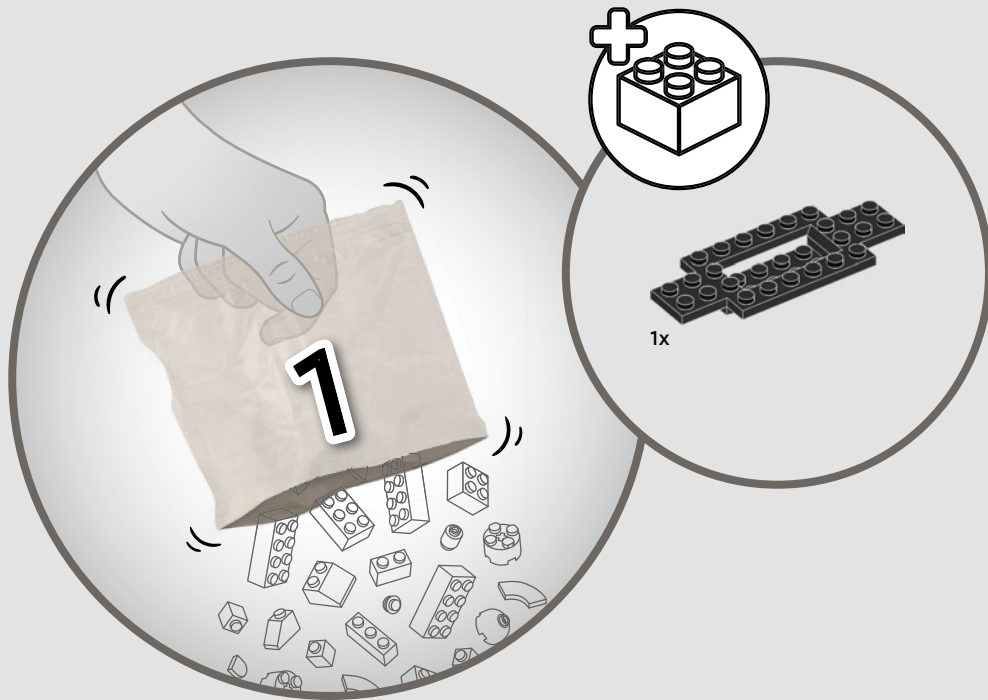


Apple and the Apple logo are trademarks of Apple Inc., registered in the U.S. and other countries and regions. App Store is a service mark of Apple Inc. Google Play and the Google Play logo are trademarks of Google LLC. Tencent and the Tencent logo are trademarks of Tencent Inc.

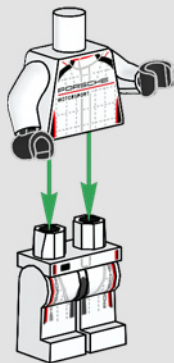
Q [LEGO.com/devicecheck](https://www.lego.com/devicecheck)

EN Ask parents' permission before going online | **DE** Eltern um Erlaubnis bitten, bevor du online gehst | **FR** Demande l'autorisation d'un parent avant d'aller en ligne | **IT** Chiedi il permesso ai tuoi genitori prima di andare online | **ES** Pídeles permiso a tus papás antes de conectarte a Internet | **PT** Pede autorização aos pais antes de acederes online | **JA** オンラインになる前に ほか者の方のきよかをもらおう | **ZH** 上网前应先征得父母的同意 | **KO** 온라인 접속 전에 보호자 동의가 필요합니다 | **RU** Спроси разрешения у родителей, прежде чем заходить в интернет | **PL** Poproś rodziców o zgodę, zanim wejdiesz do Internetu | **CS** Než půjdeš na internet, požádej rodiče o svolení | **SK** Skôr než pôjdeš na internet, vypýtaj si povolenie od rodičov | **HU** Kérj szülői engedélyt, mielőtt online csatlakoznál! | **RO** Cere permisiunea părinților înainte de a te conecta online | **BG** Поискайте разрешение от родител, преди да влезете онлайн | **LV** Pirms došanās tiešsaistē palūdz atļauju vecākiem | **ET** Enne Interneti kasutamist küsi vanematelt luba | **LT** Prieš prisijungdami prie interneto, atsklauskite tėvų

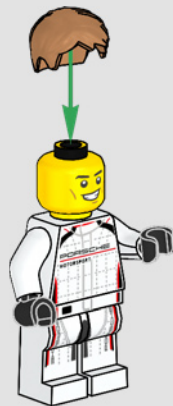




1



2

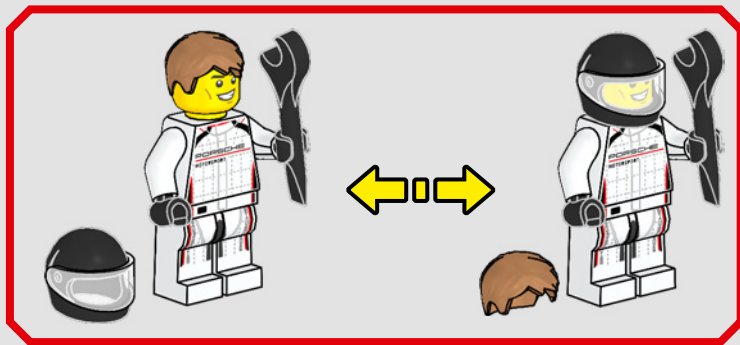
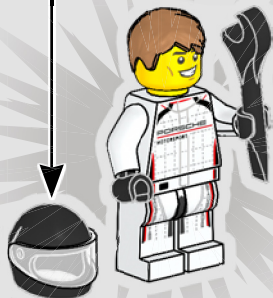


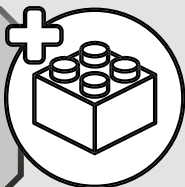
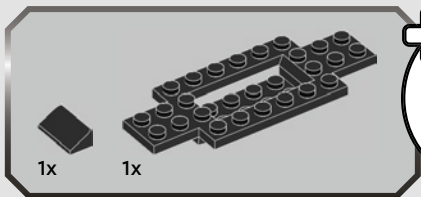
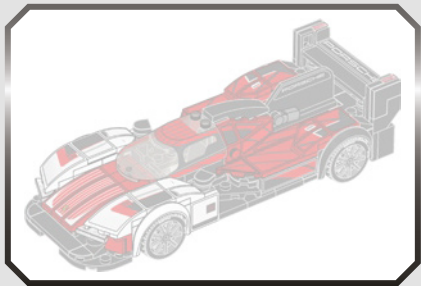
3



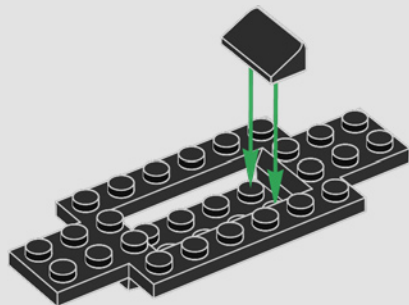


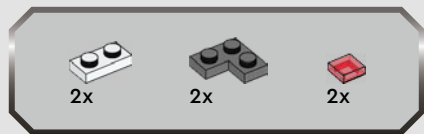
4



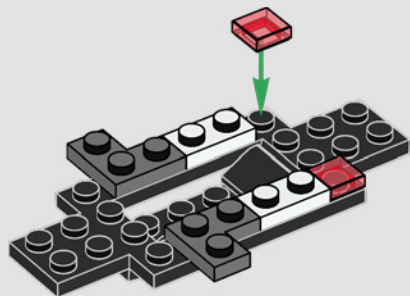


1

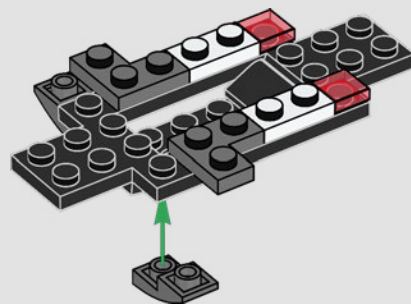




2



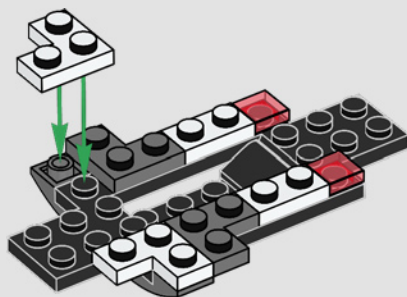
3





2x

4

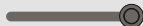
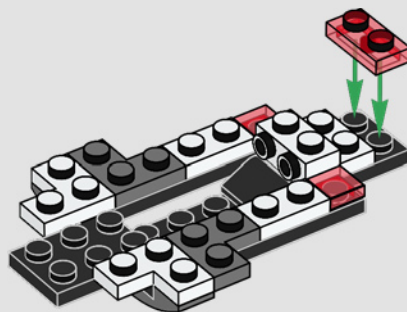


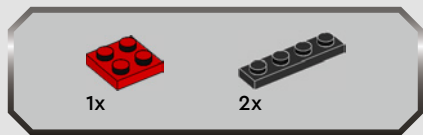
1x



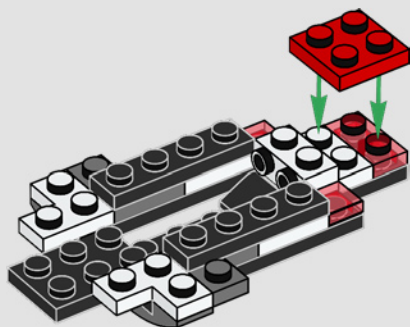
1x

5

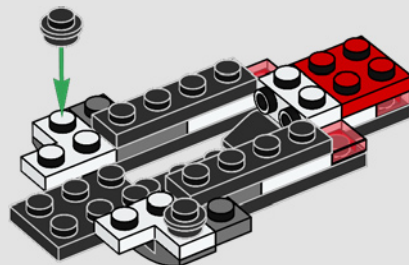


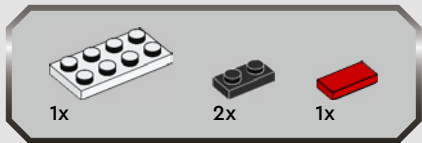


6

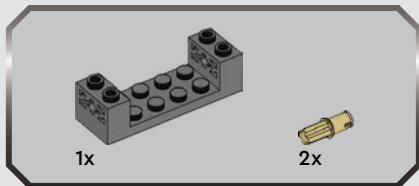
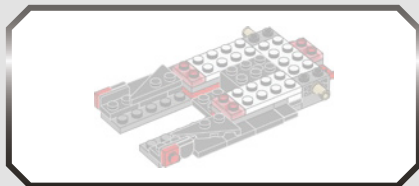
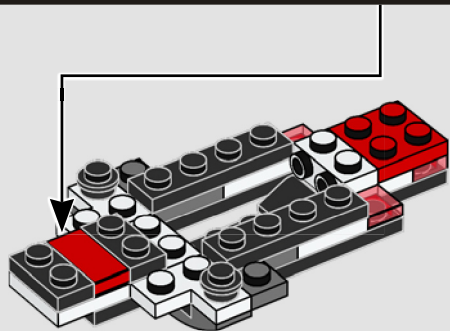
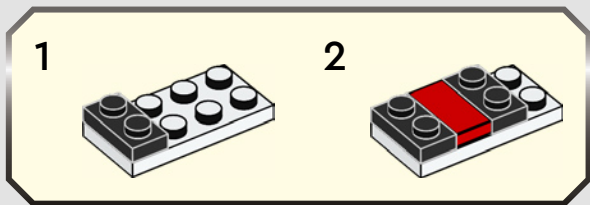


7

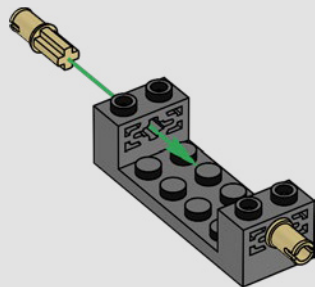




8

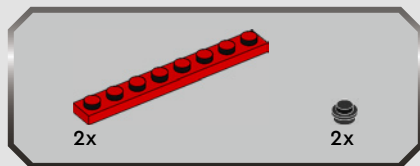
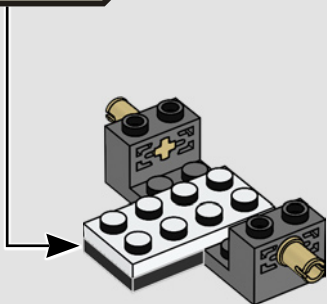
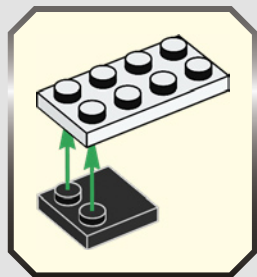


9

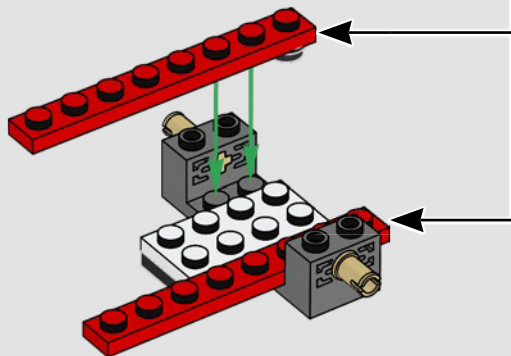
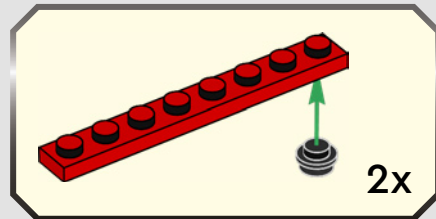


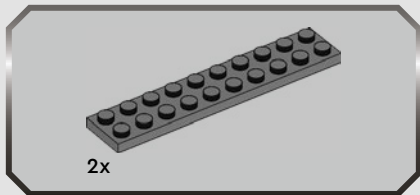


10

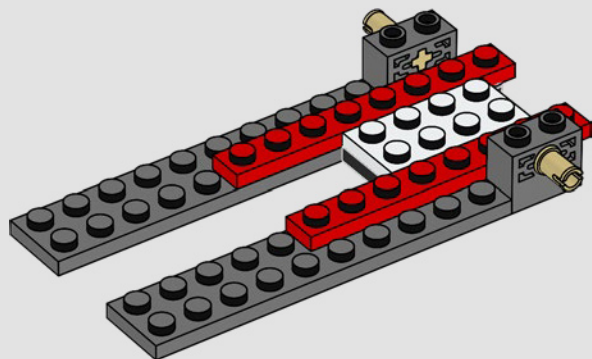


11

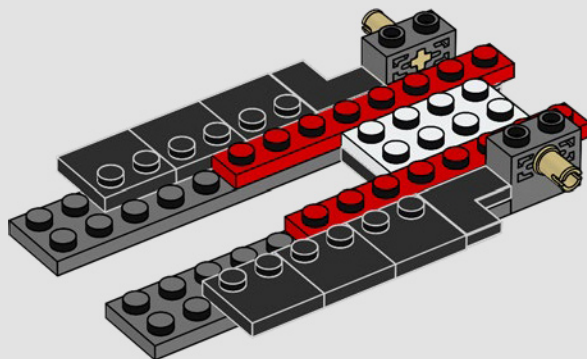


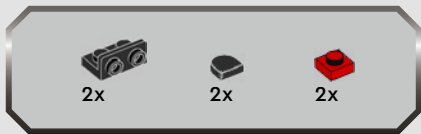


12

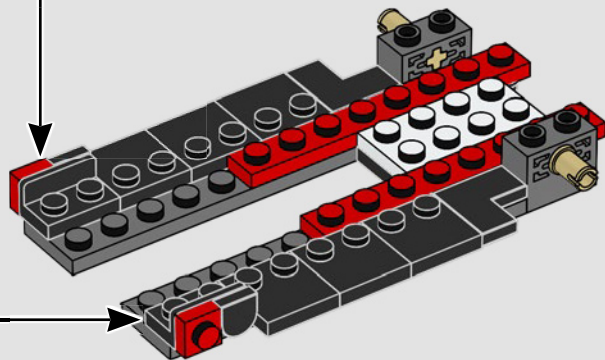
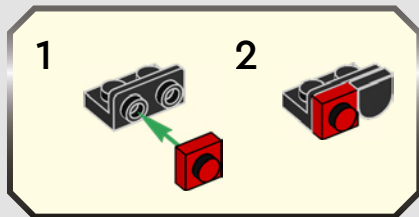
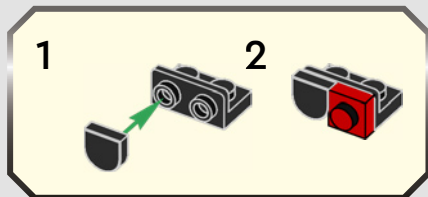


13



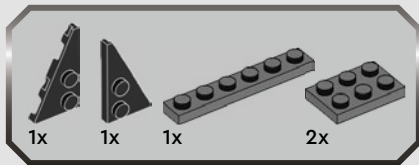
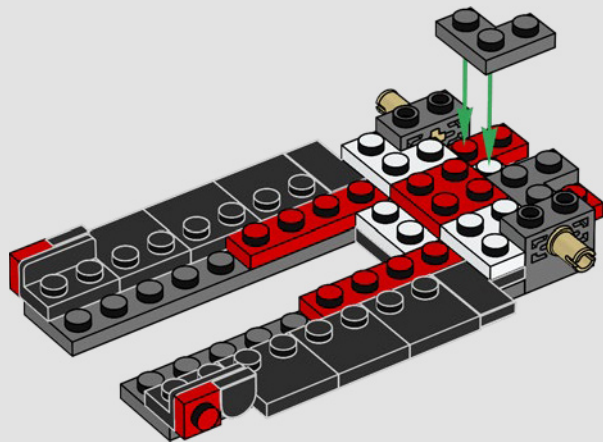


14

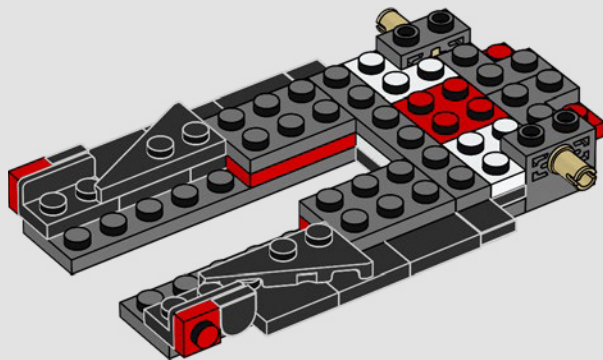




15

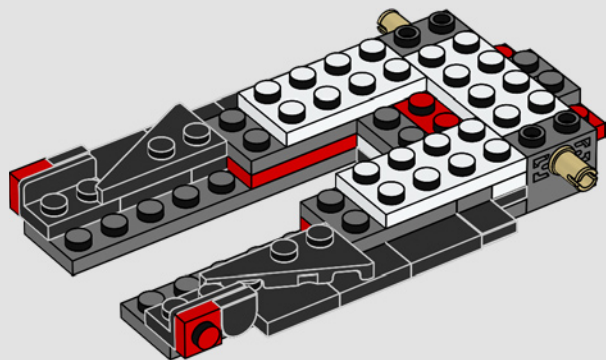


16

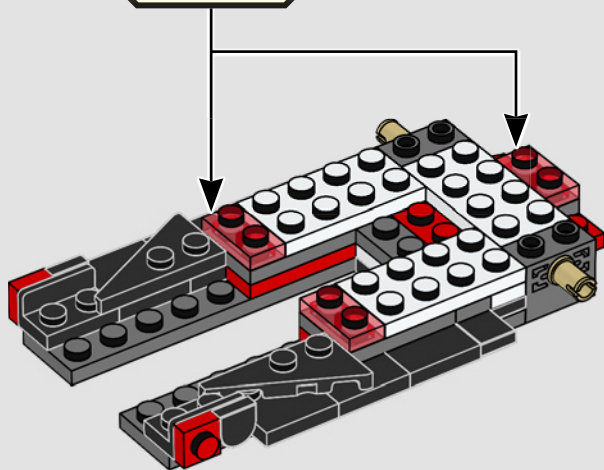


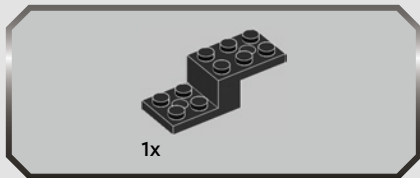


17

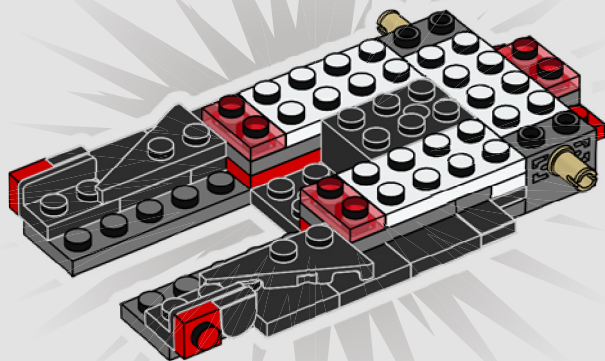


18

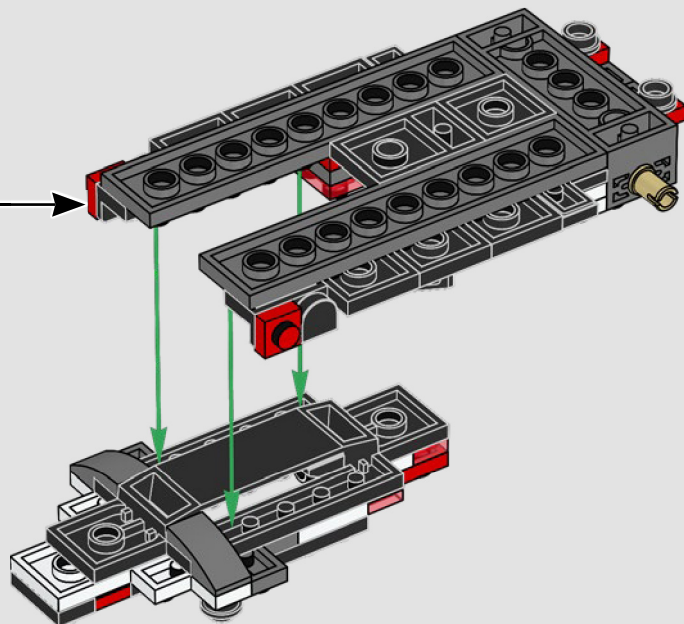


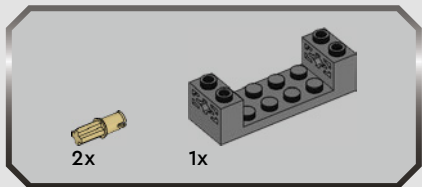
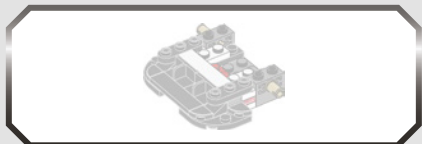


19

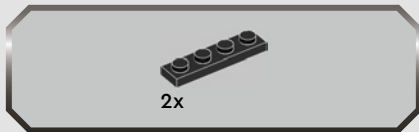
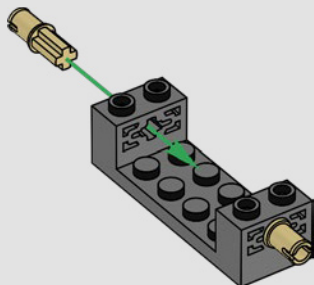


20

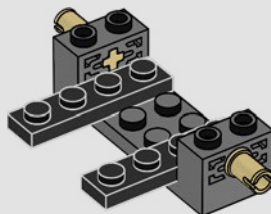




21

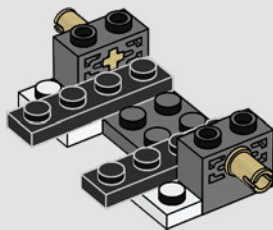


22

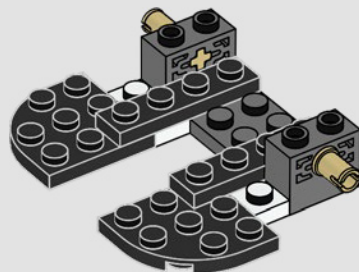




23



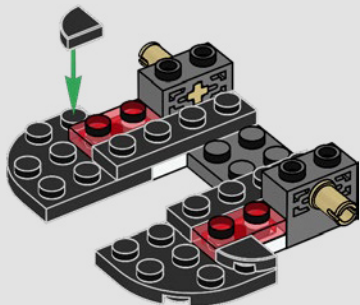
24



2x

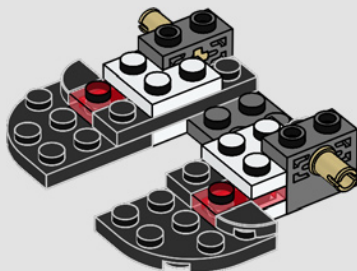
2x

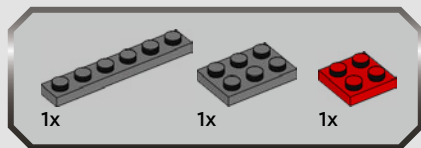
25



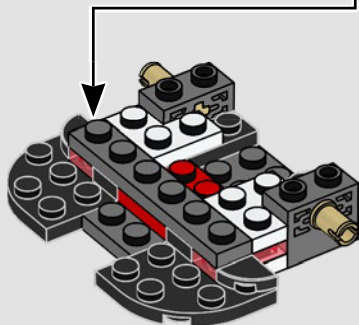
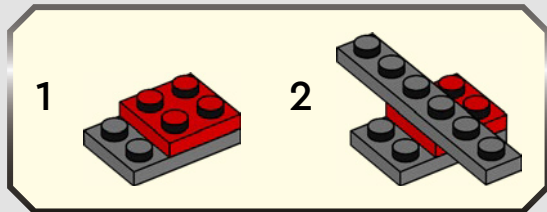
2x

26

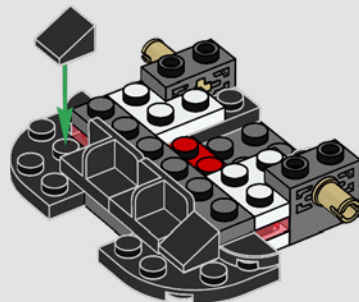




27

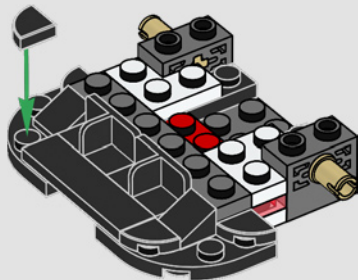


28

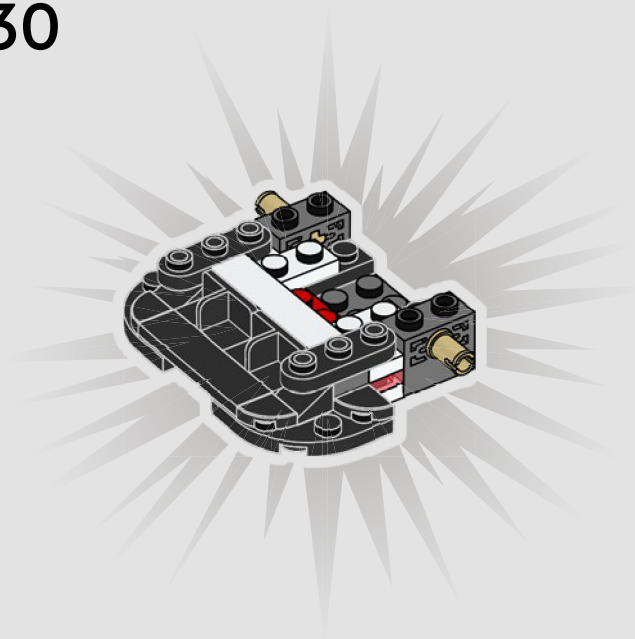




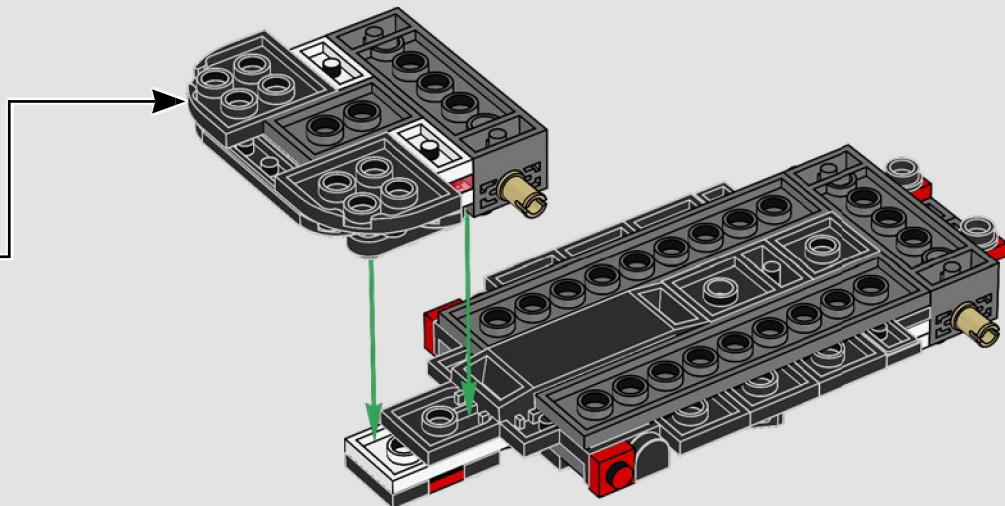
29



30



31



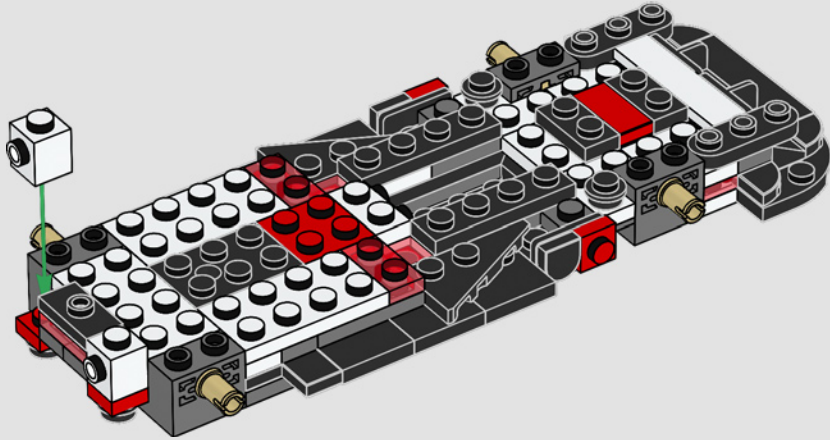


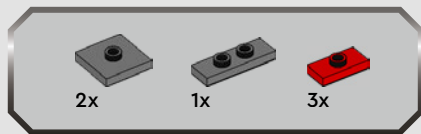
2x



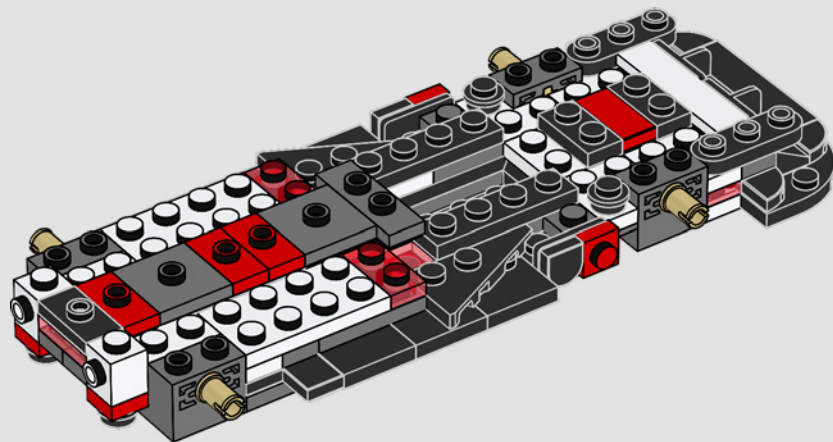
1x

32



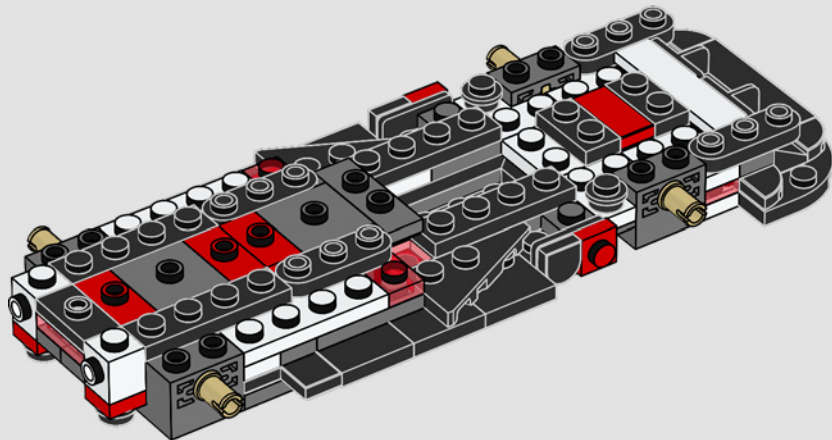


33





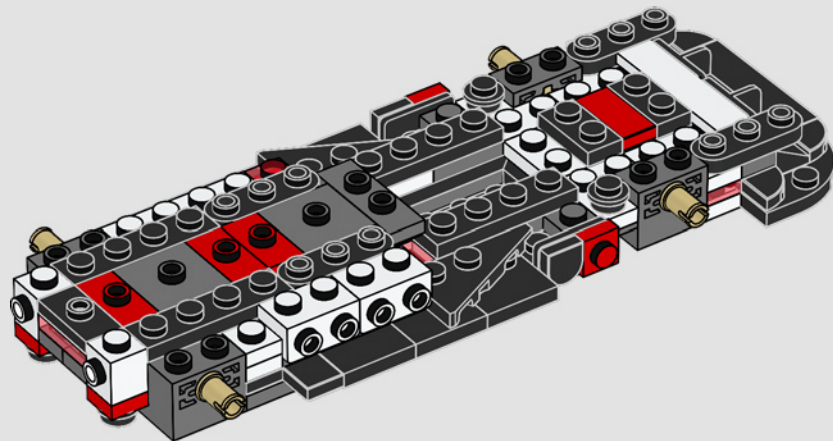
34





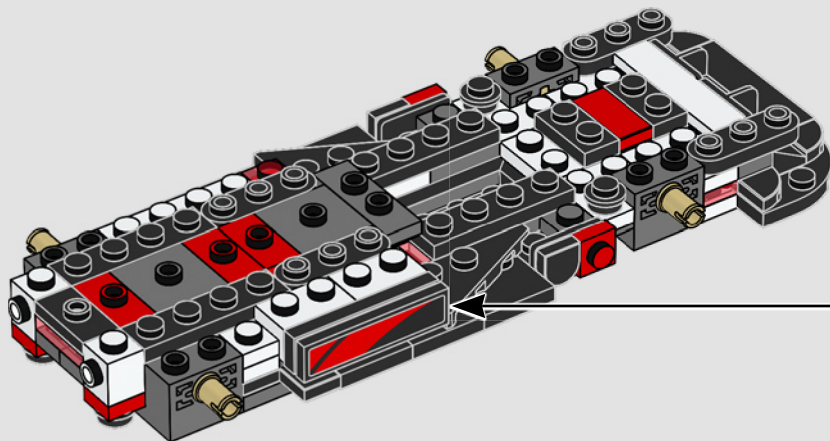
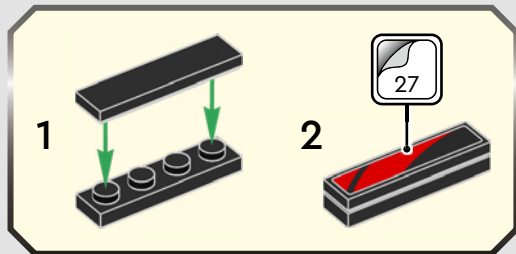
2x

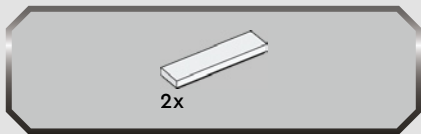
35



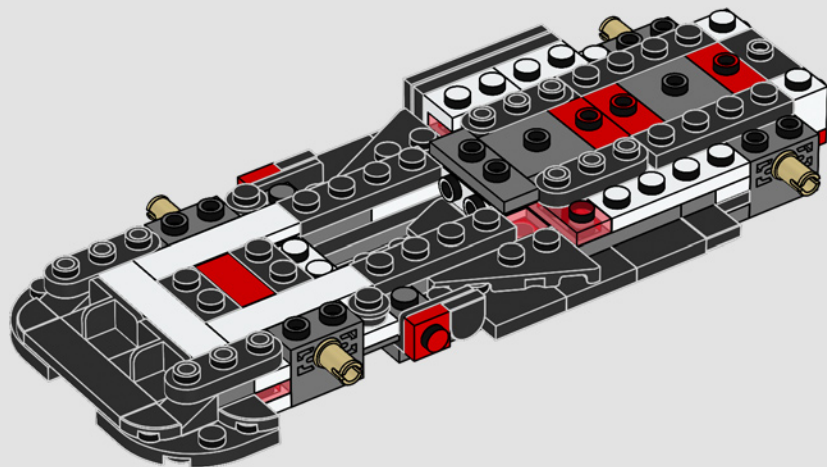


36





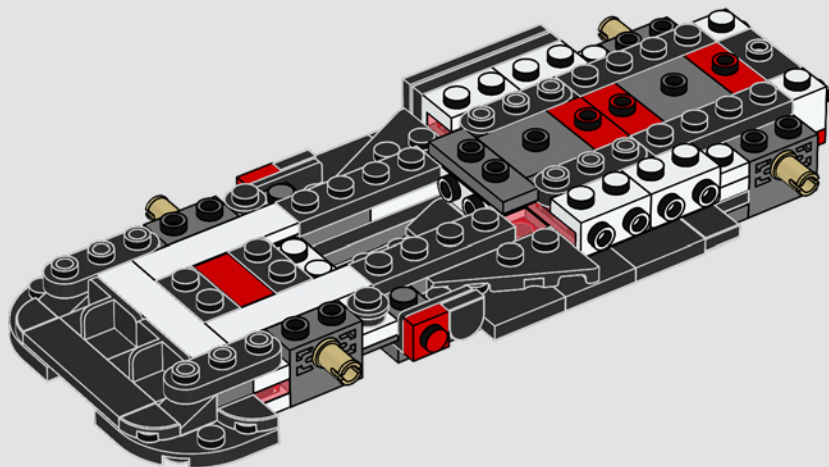
37

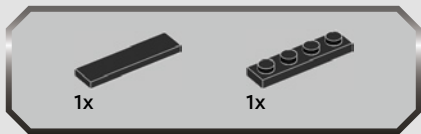




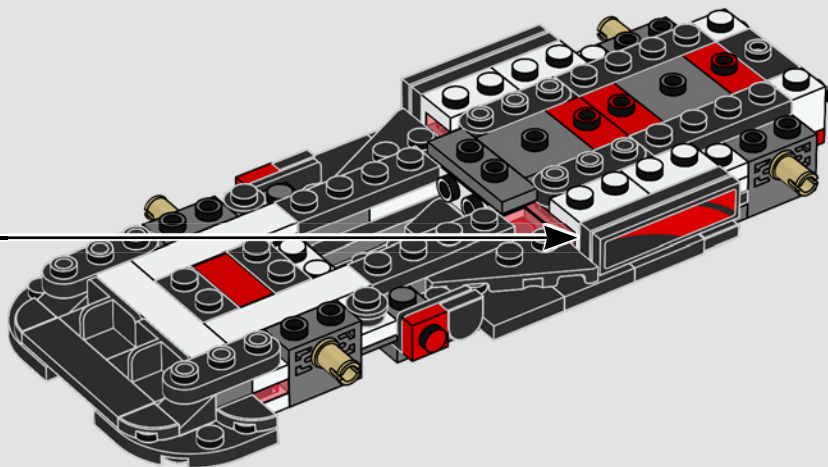
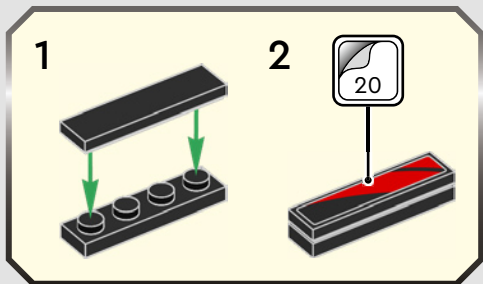
2x

38



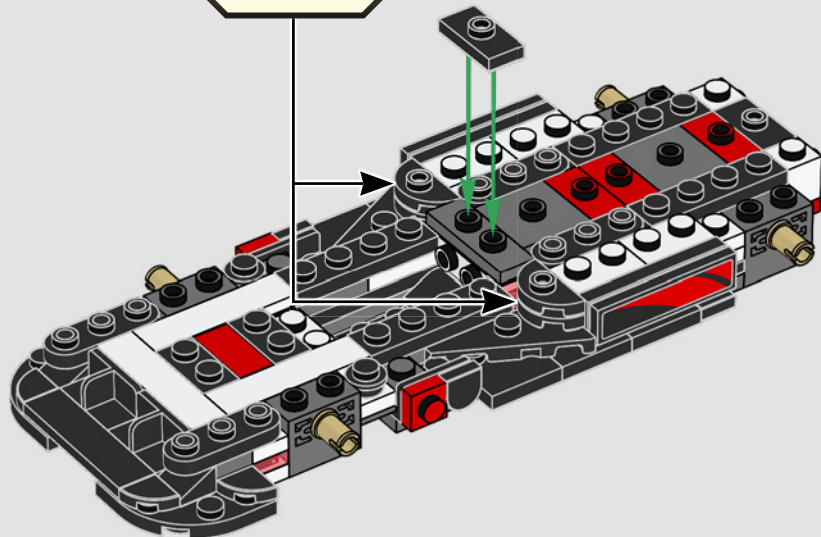
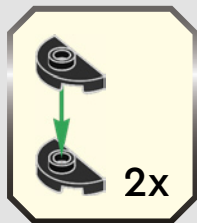


39



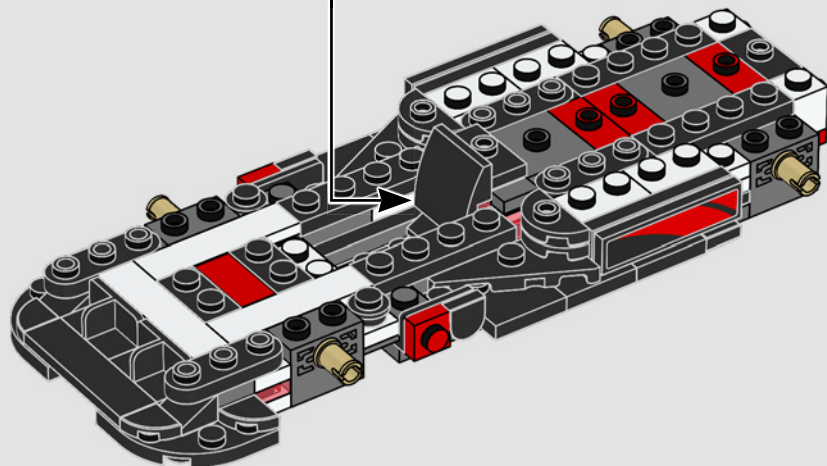
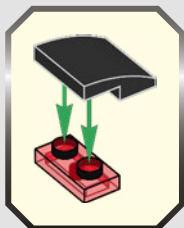


40



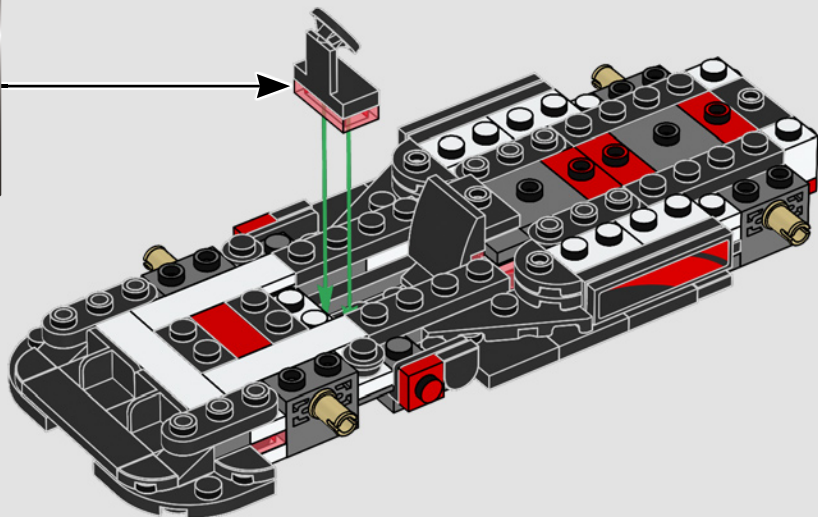
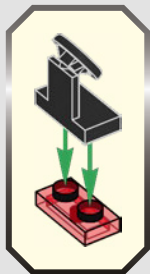


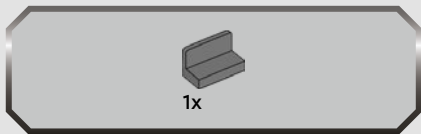
41



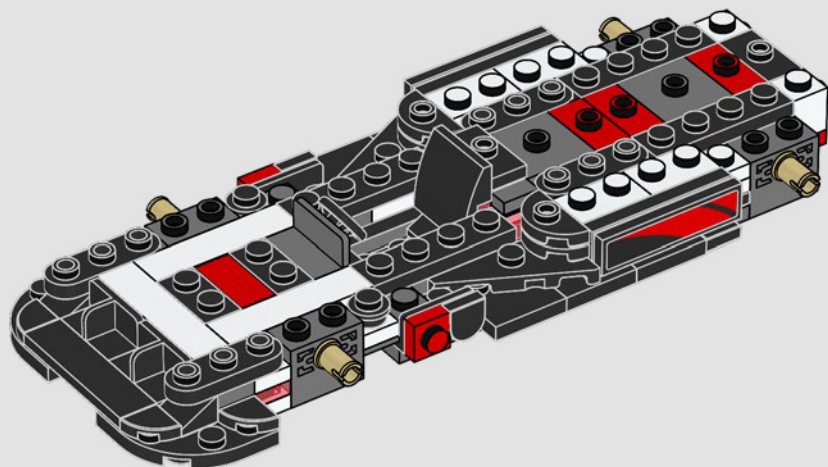


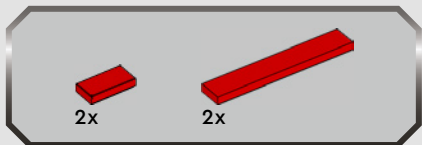
42



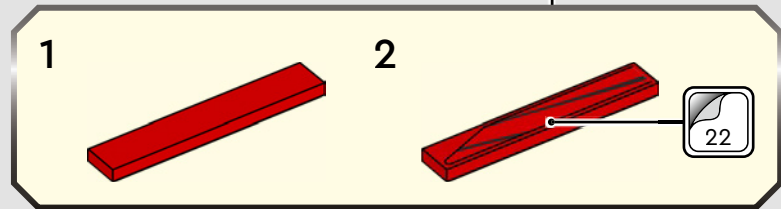
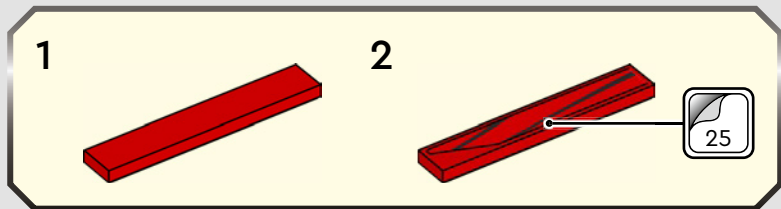
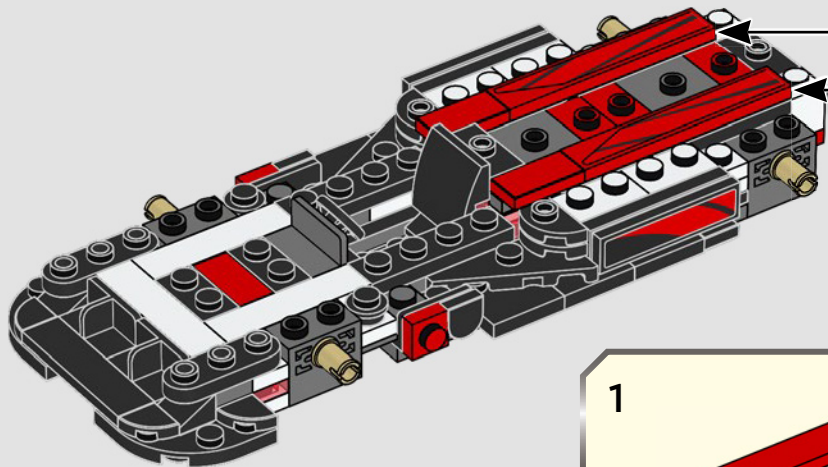


43



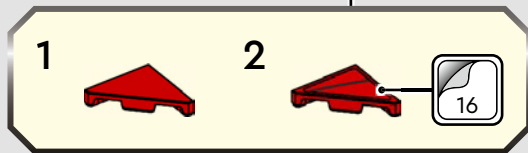
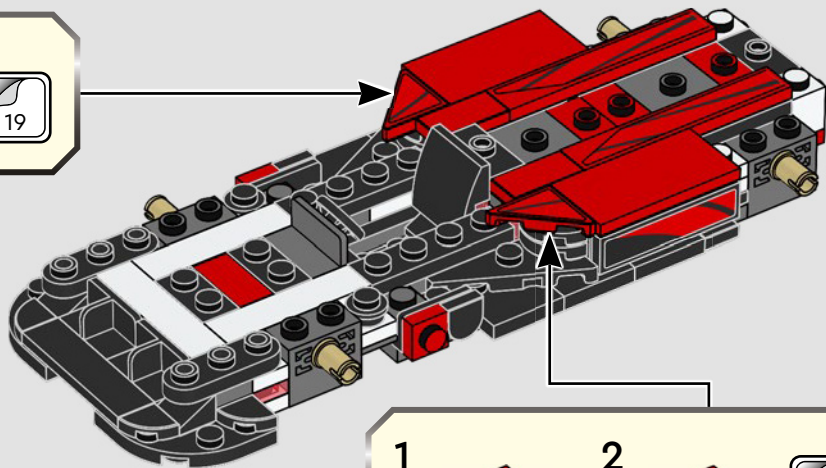
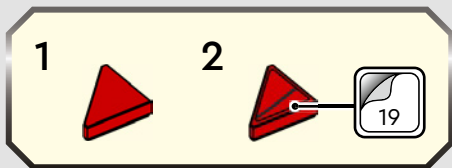


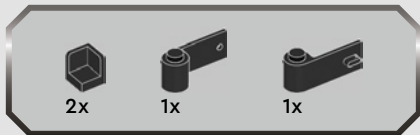
44



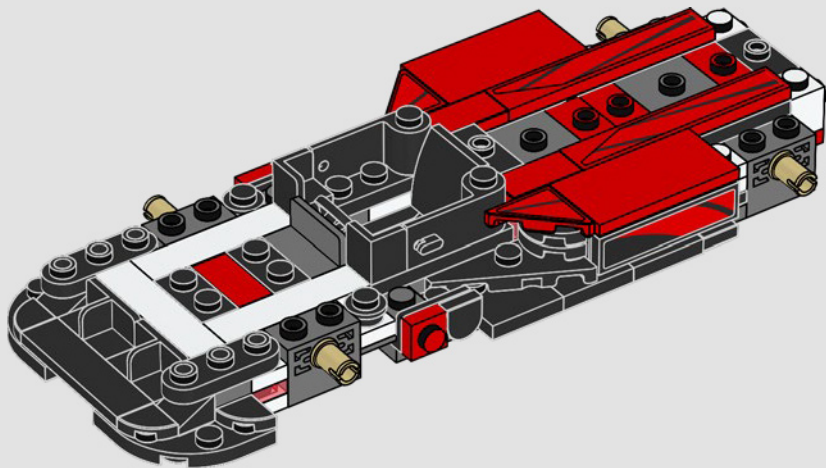


45

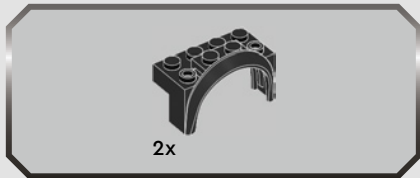




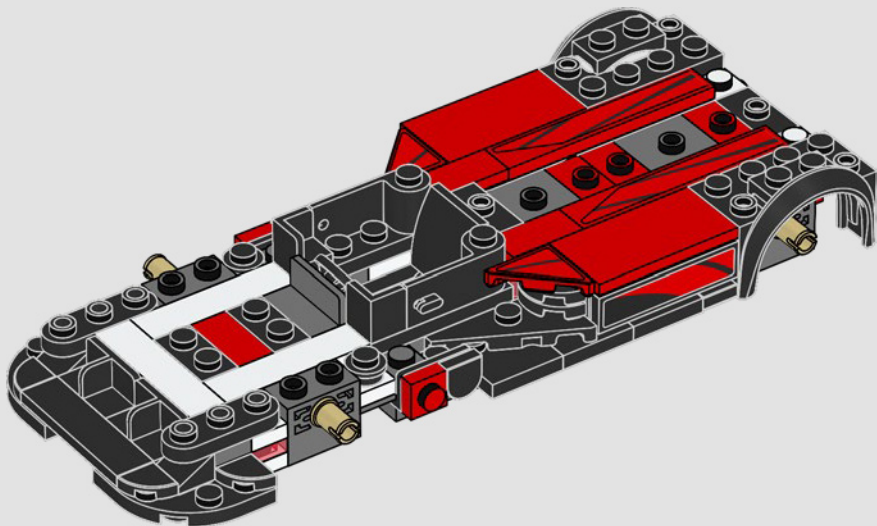
46





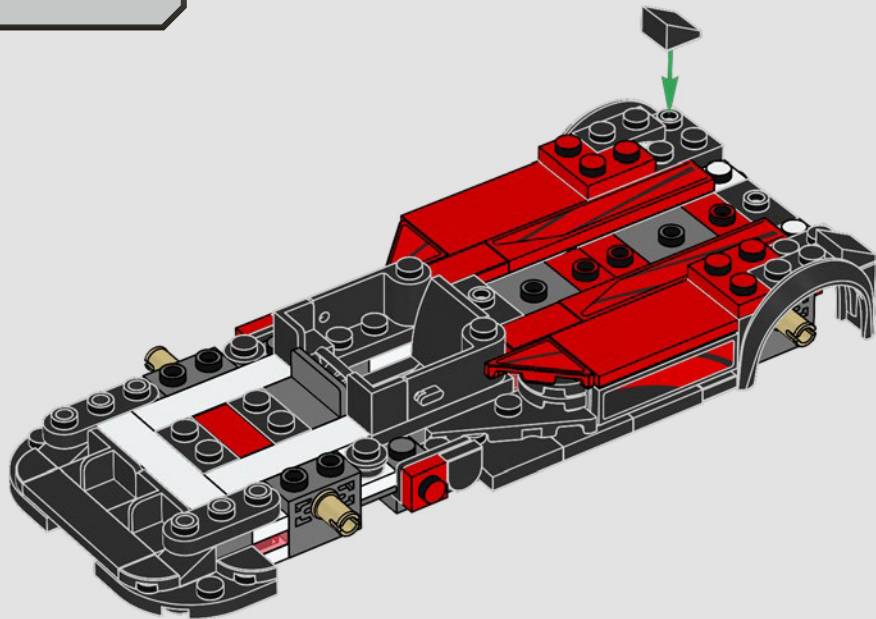


47

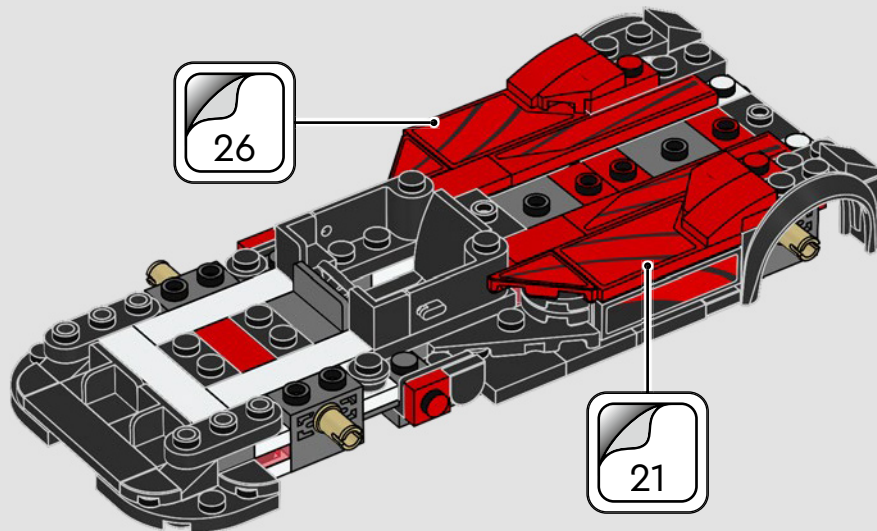




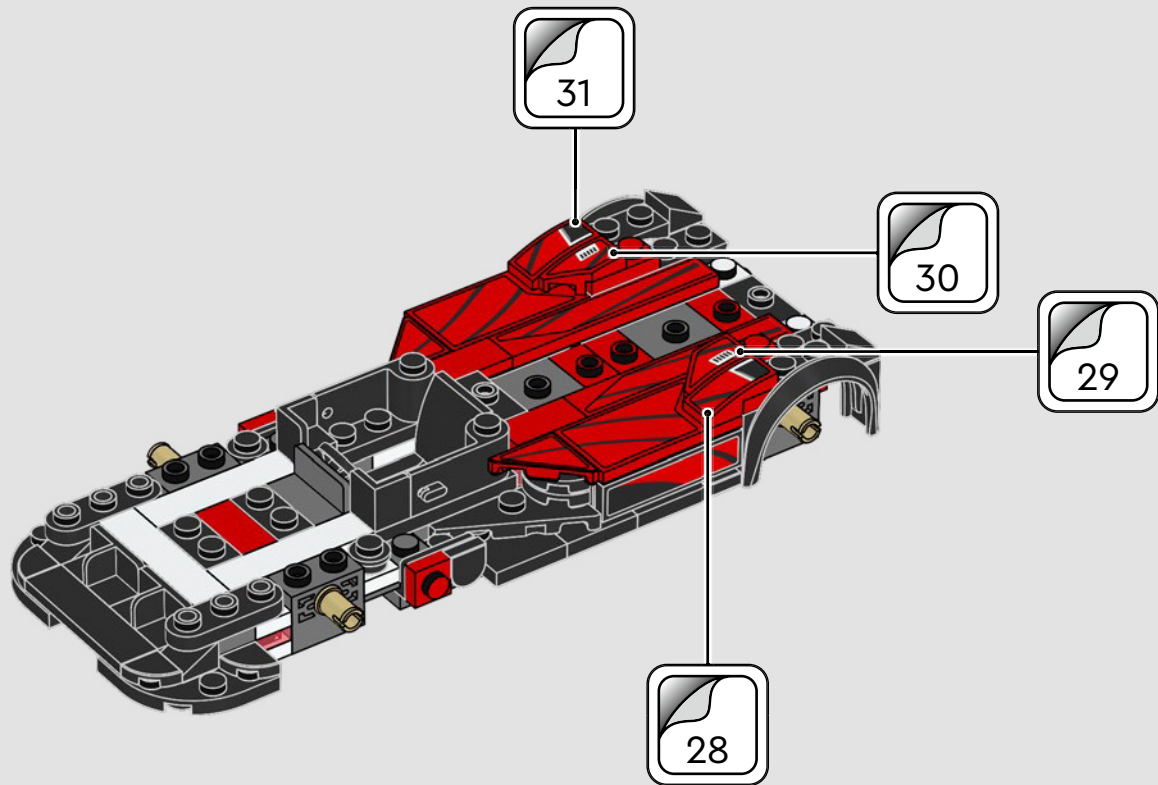
48



50



51



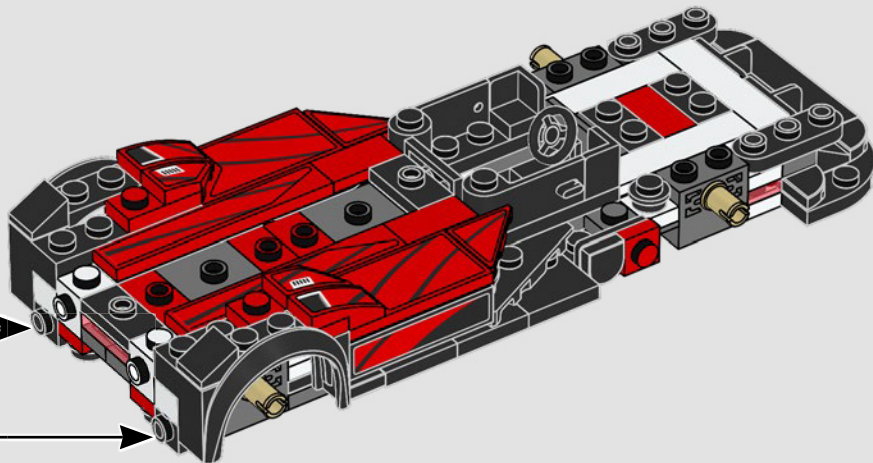
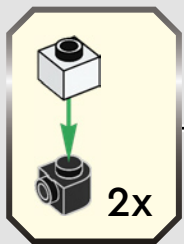


2x



2x

52



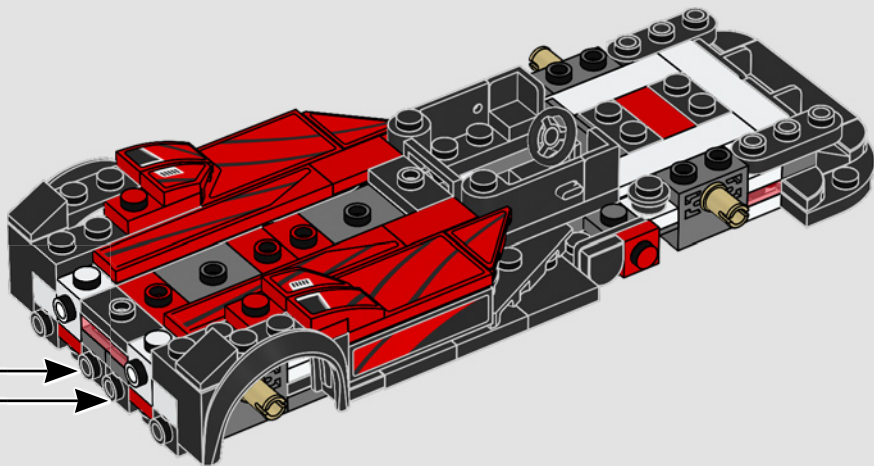


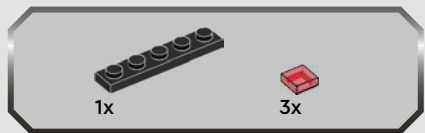
2x

53

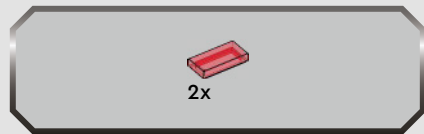
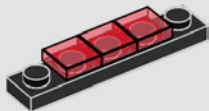


2x

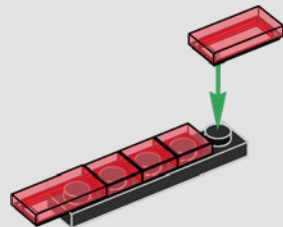




54

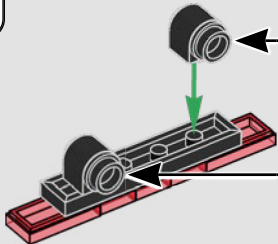
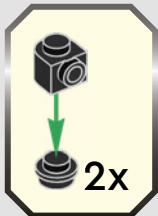


55

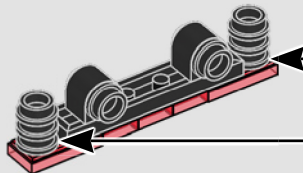
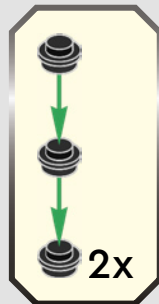


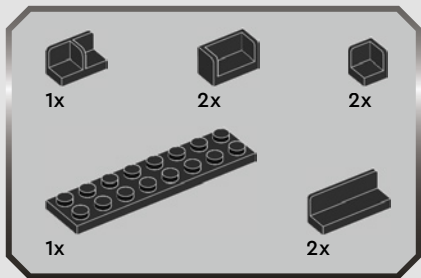


56

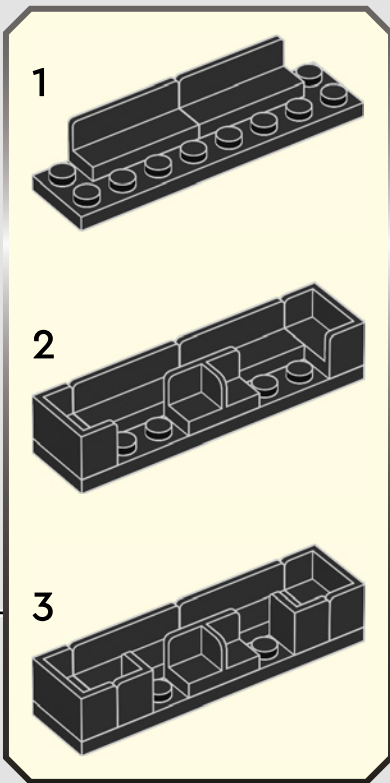
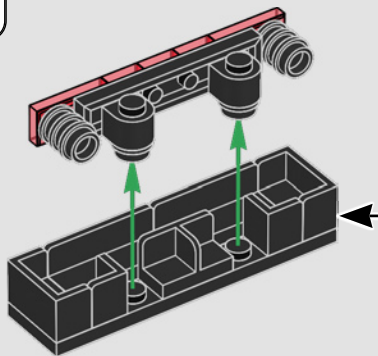


57

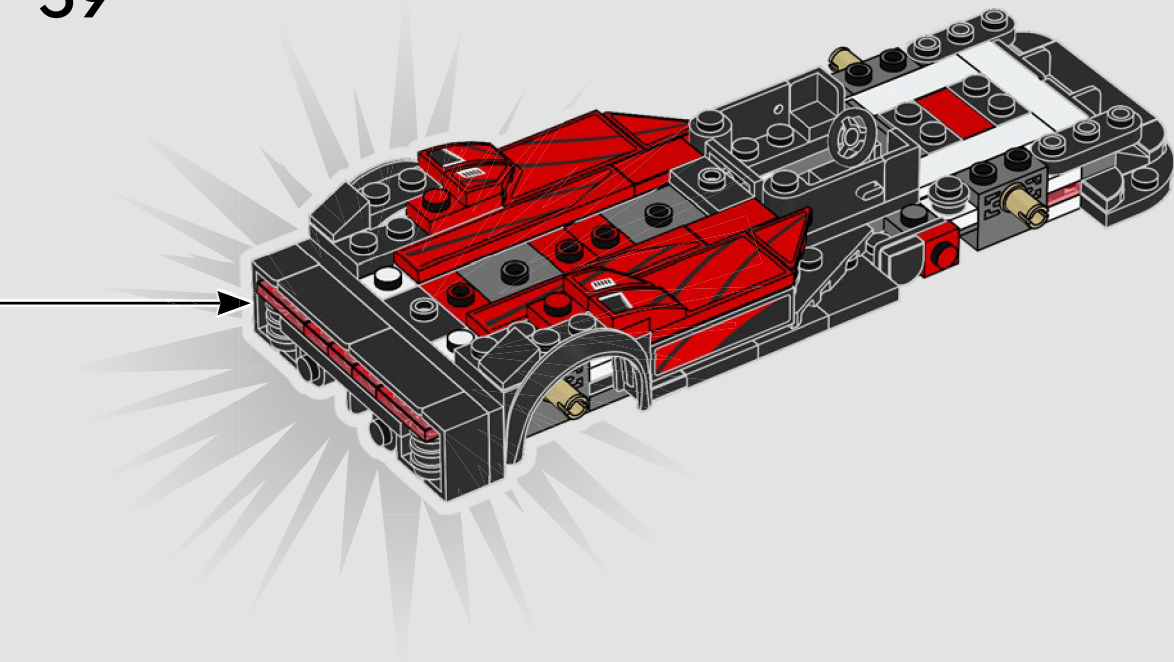




58



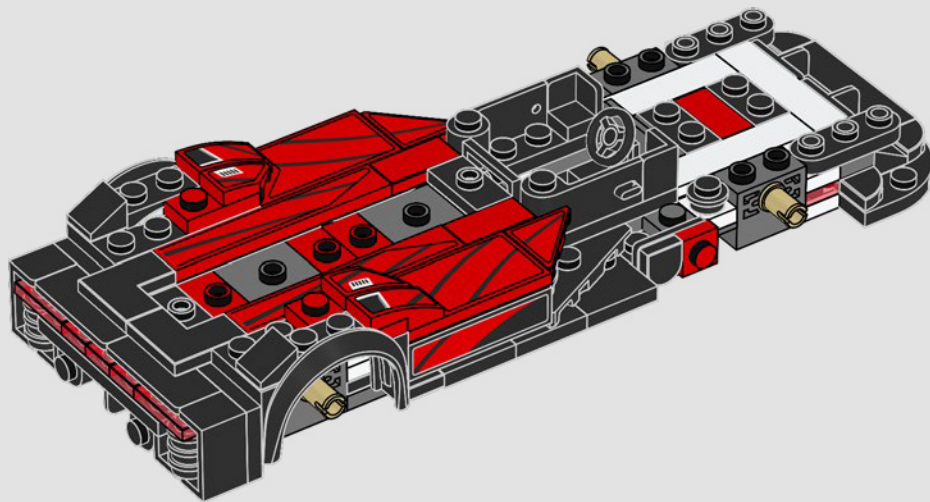
59

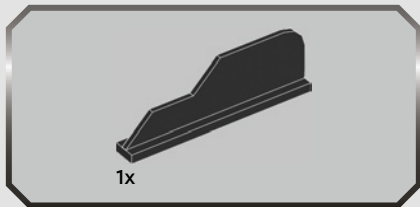




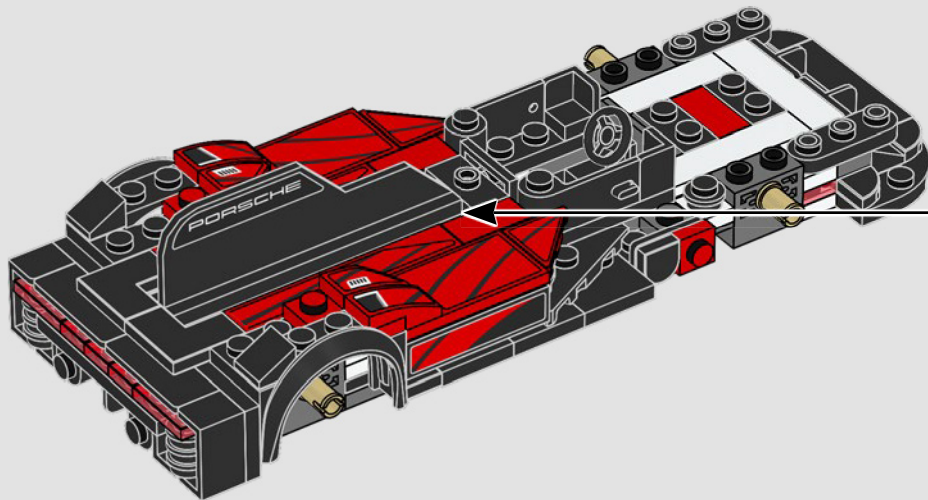
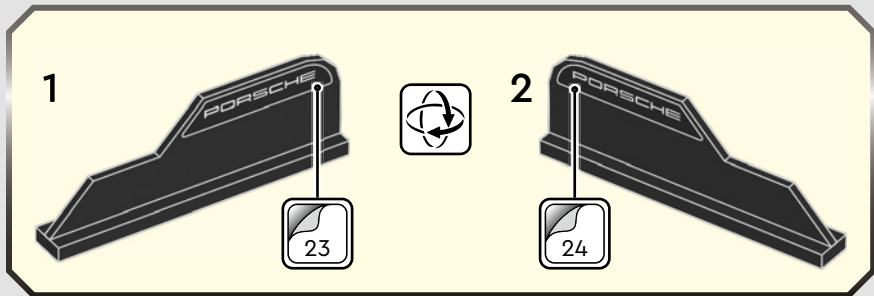
2x

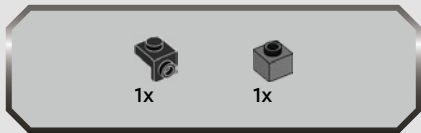
60



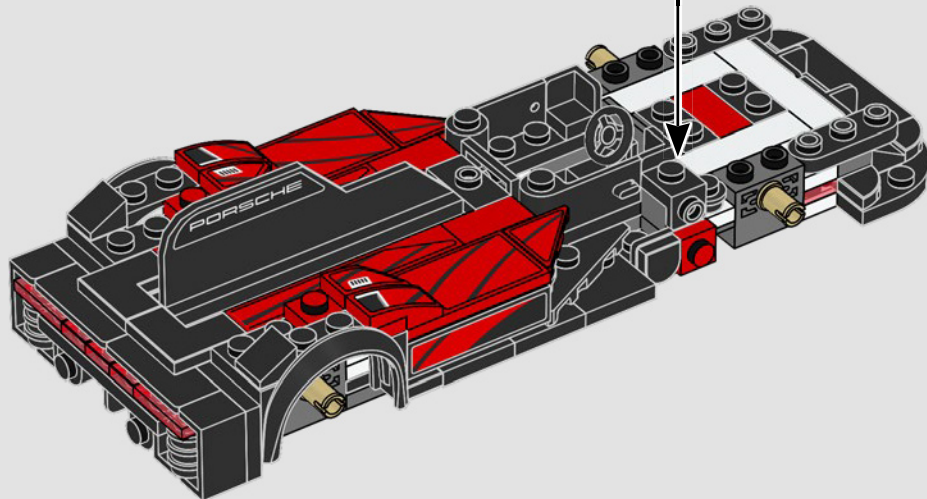
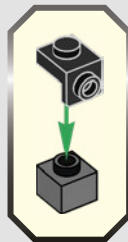


61





62



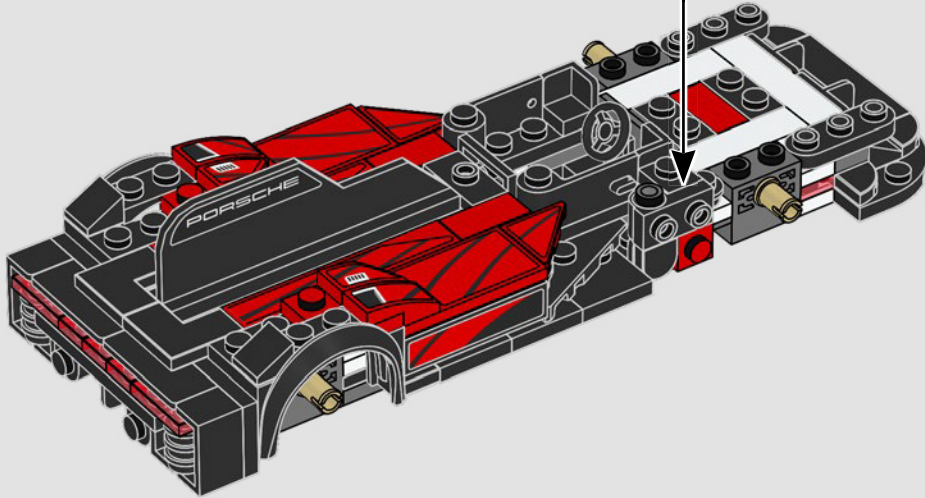
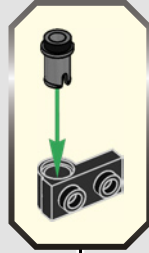


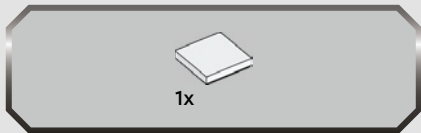
1x



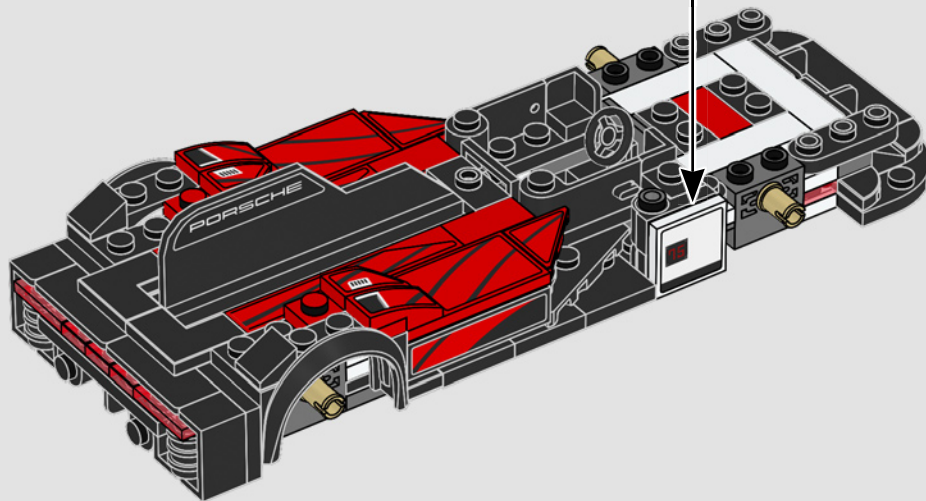
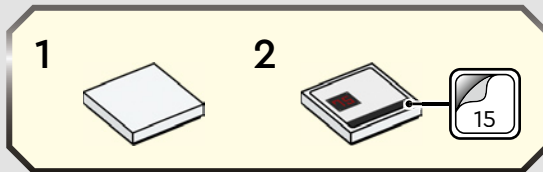
1x

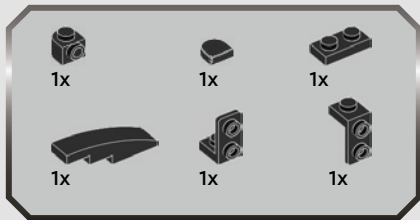
63



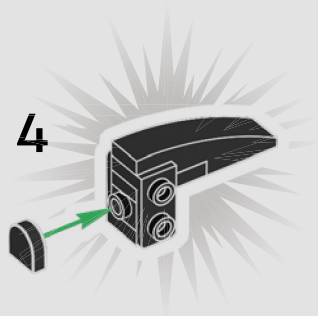
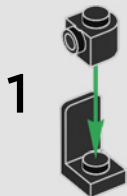


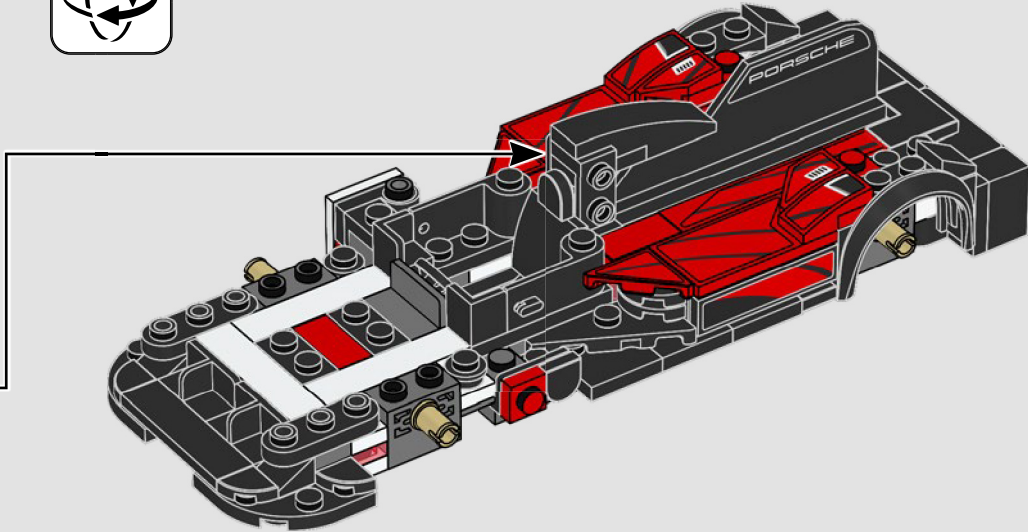
64





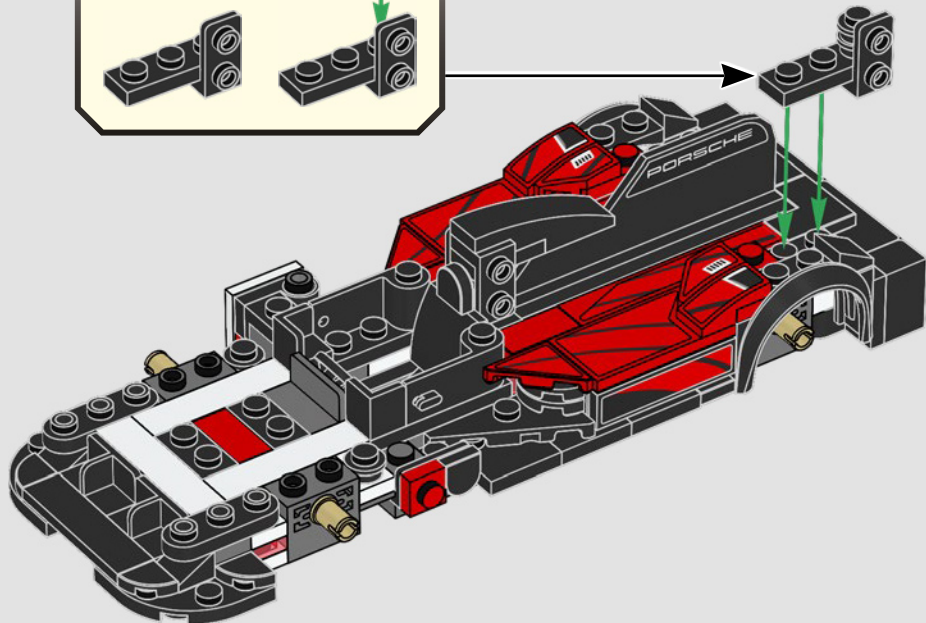
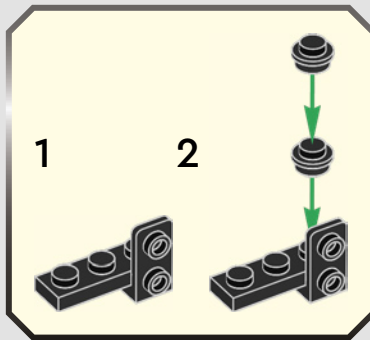
65

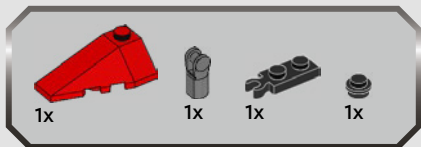






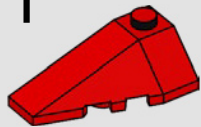
66



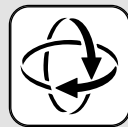
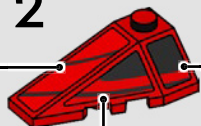


67

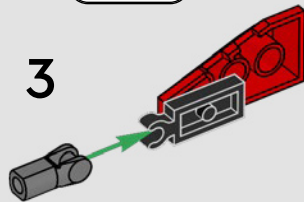
1



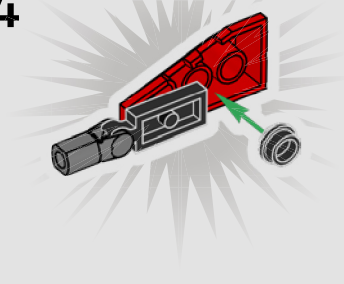
2

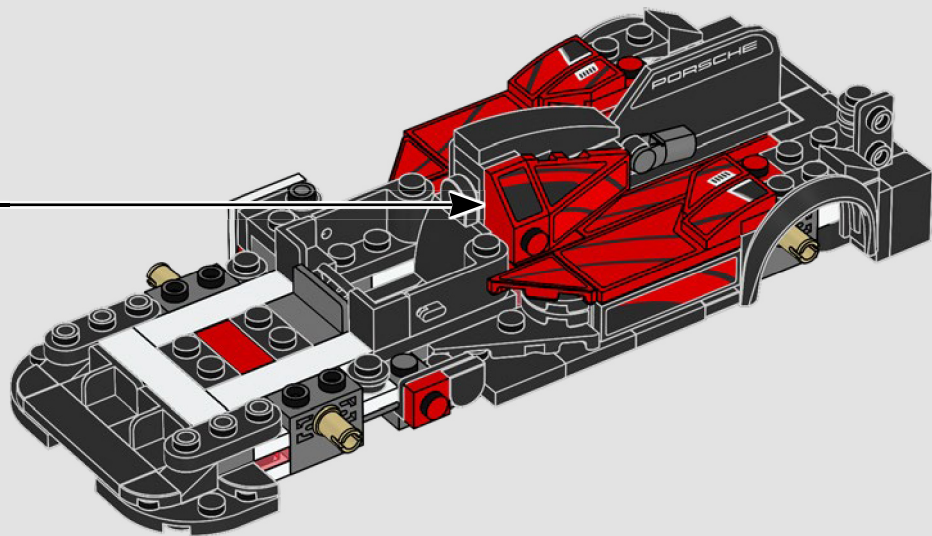


3



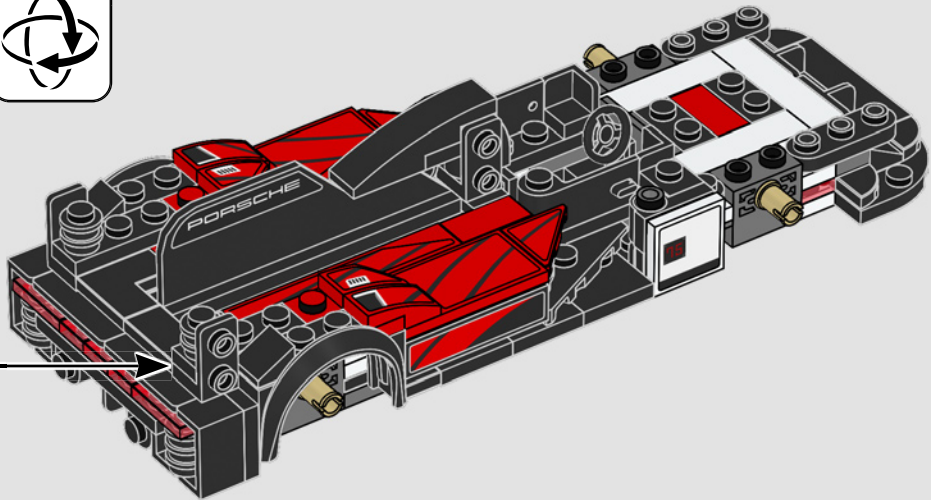
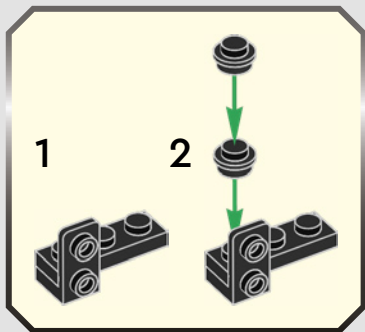
4







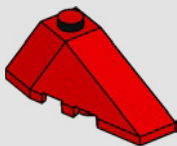
68





69

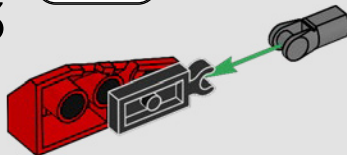
1



2

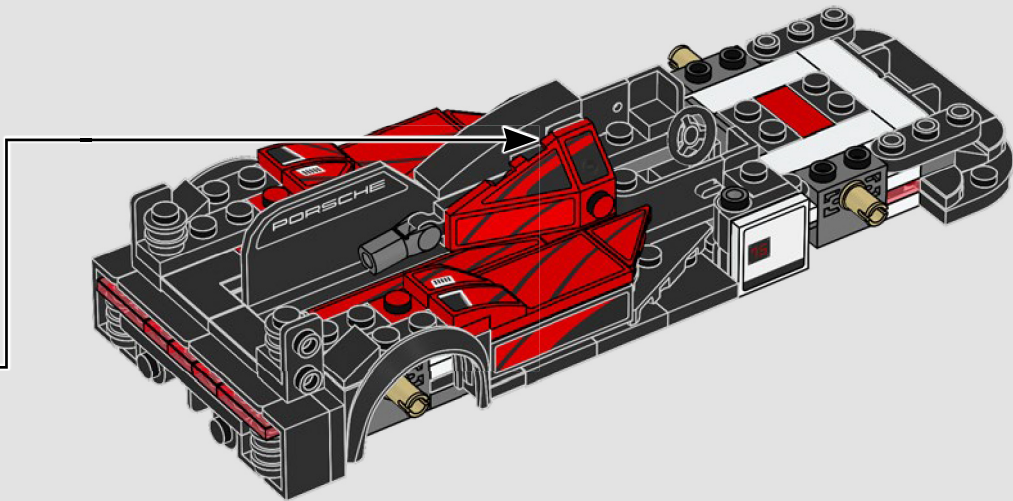


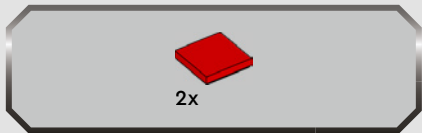
3



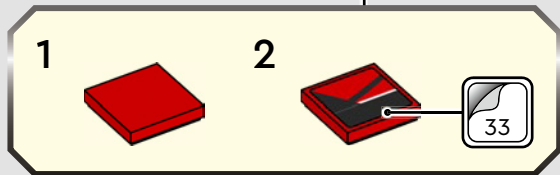
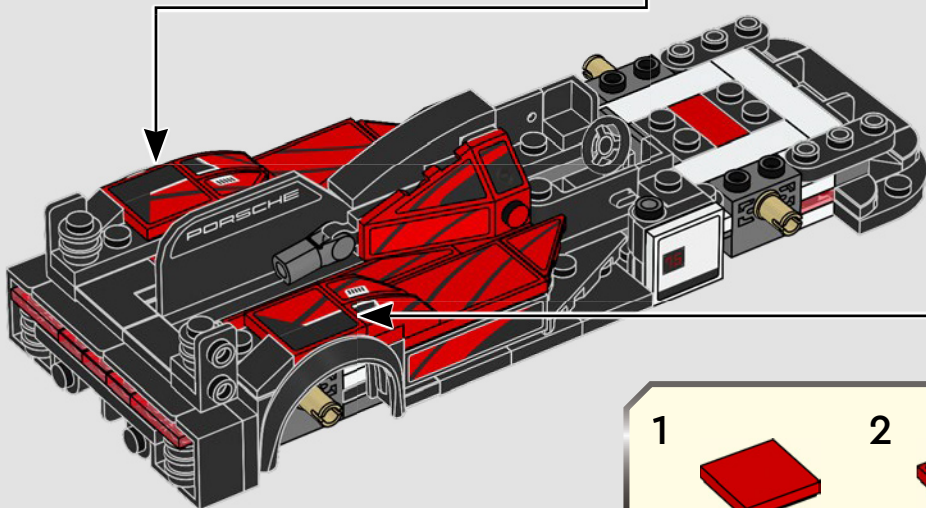
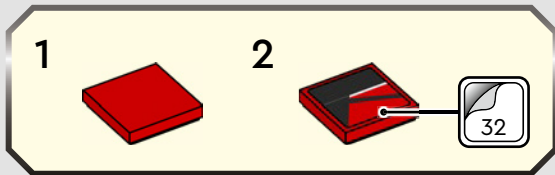
4

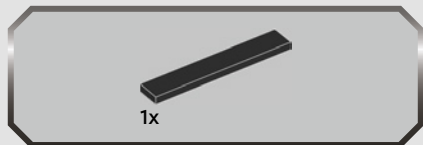




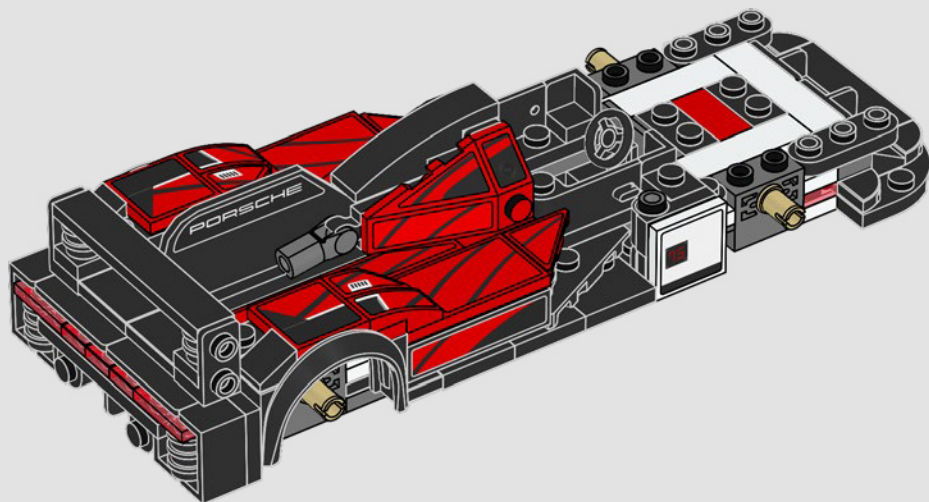


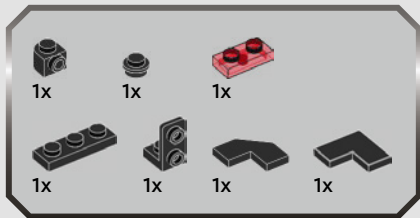
70





71



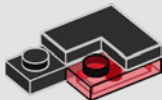


72

1



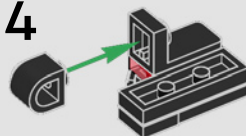
2



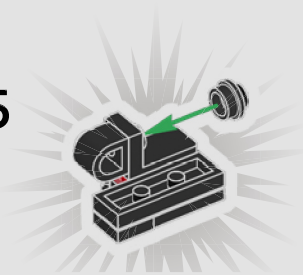
3

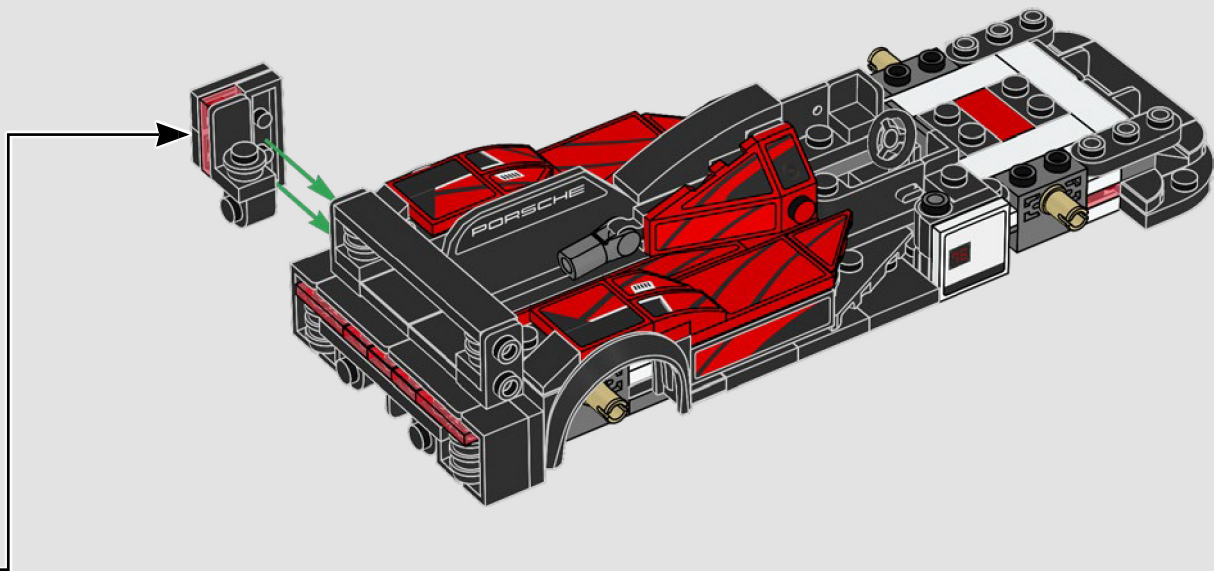


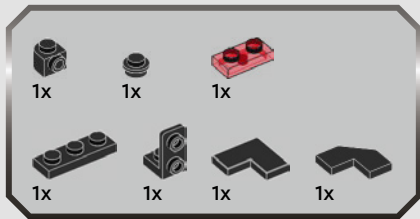
4



5







73

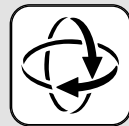
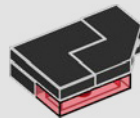
1



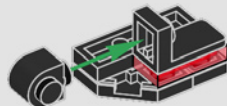
2



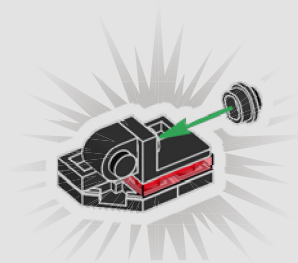
3

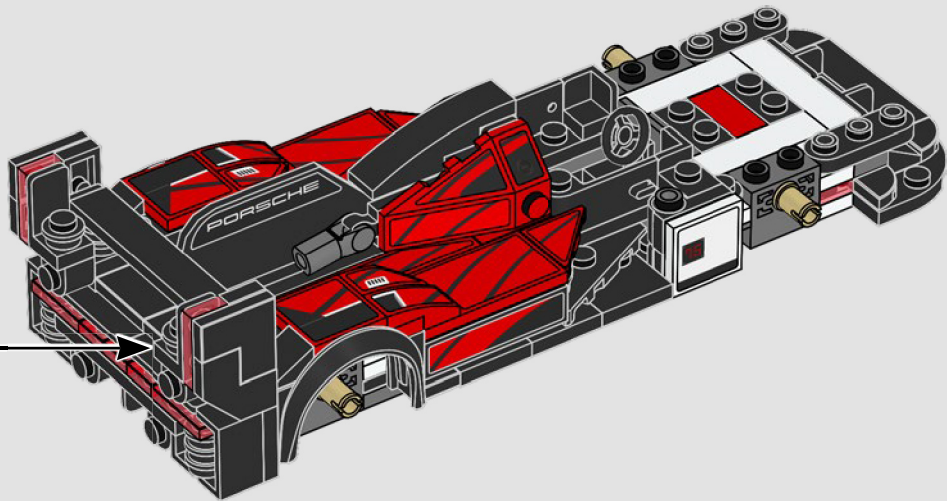


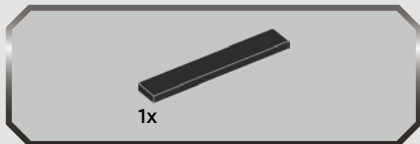
4



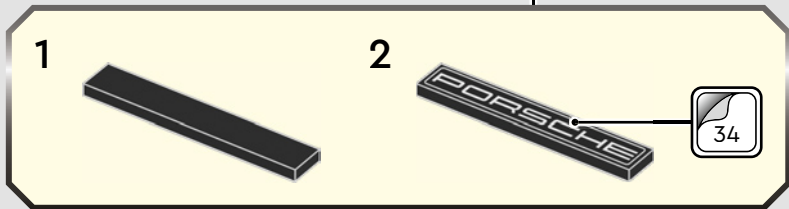
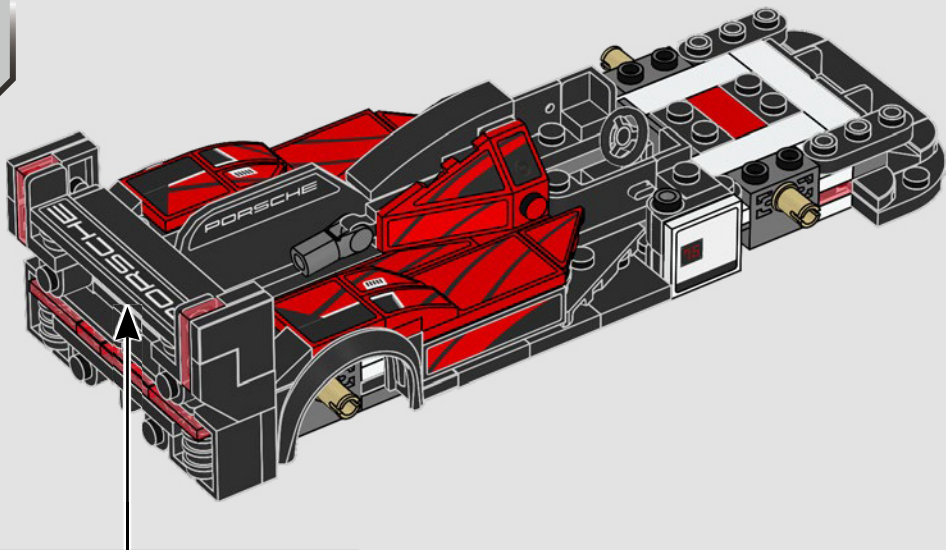
5

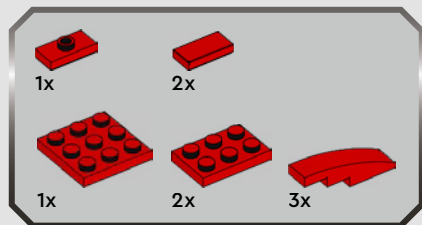




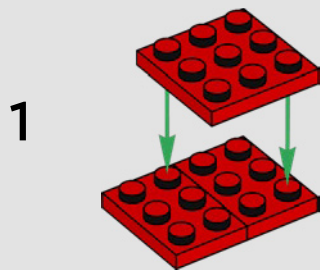


74

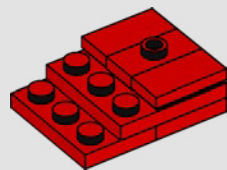




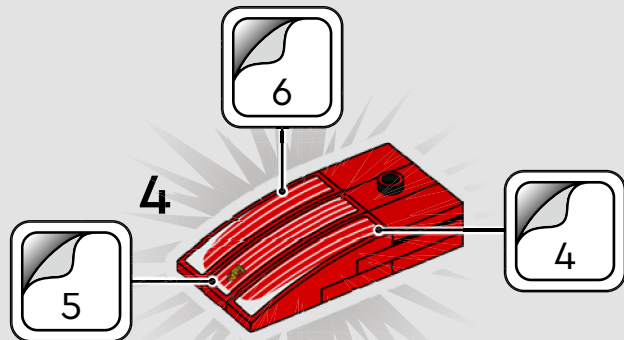
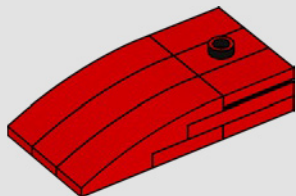
75

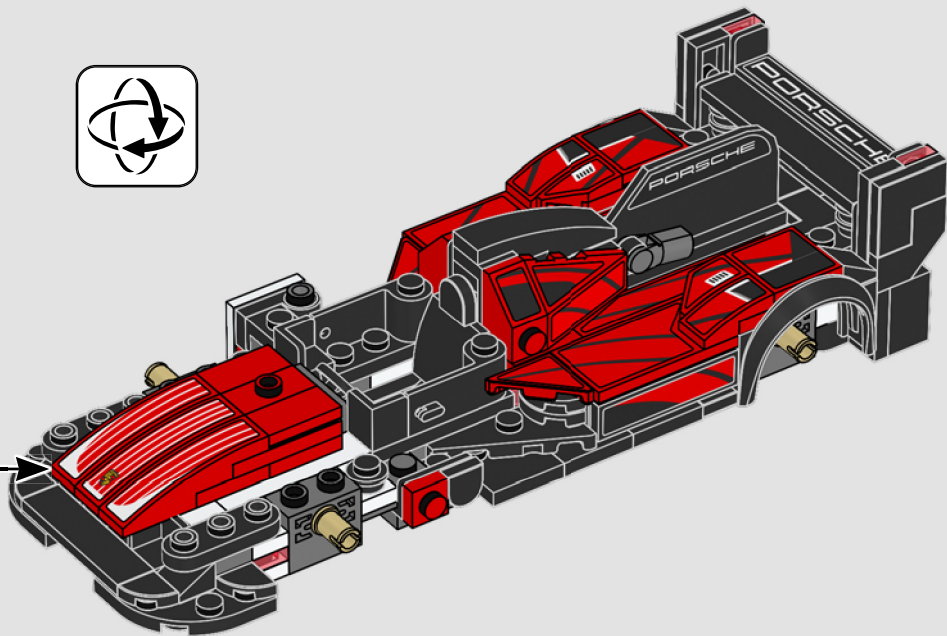


2



3





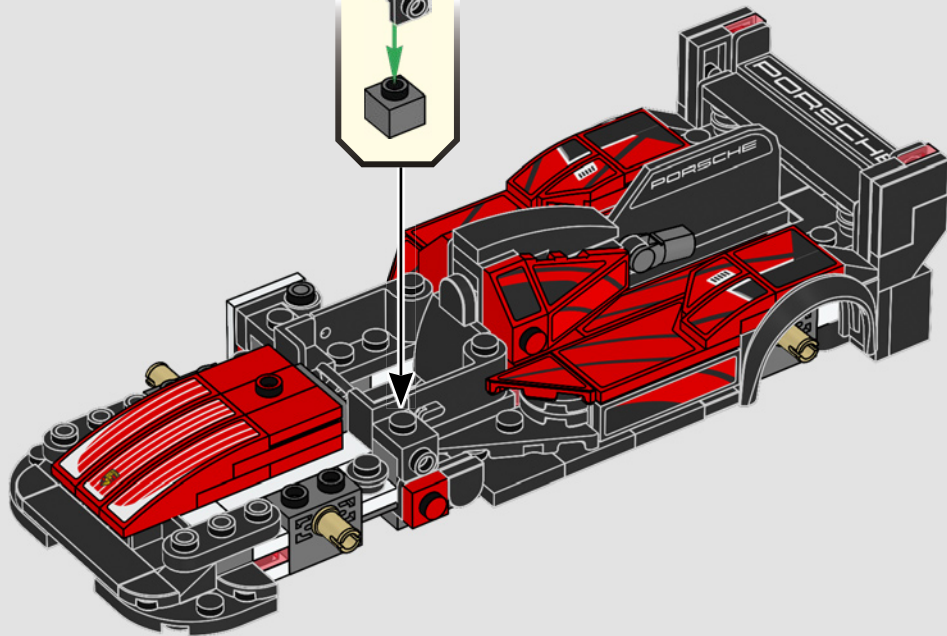
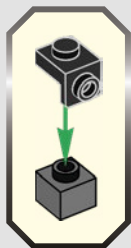


1x



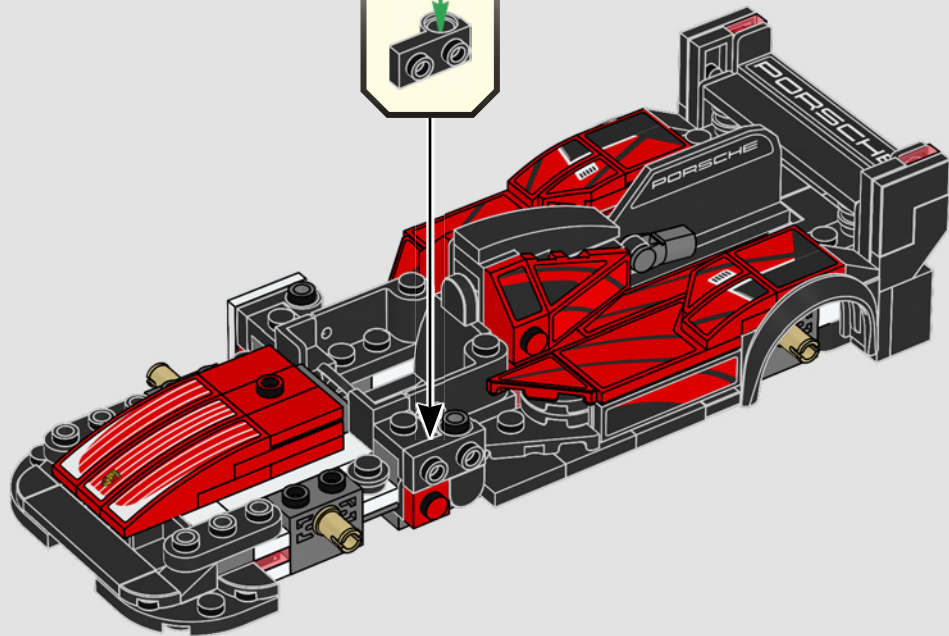
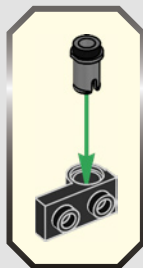
1x

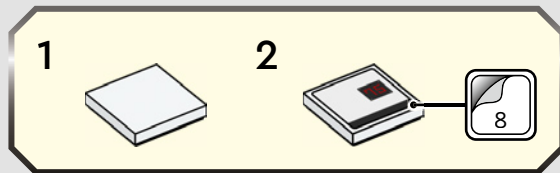
76



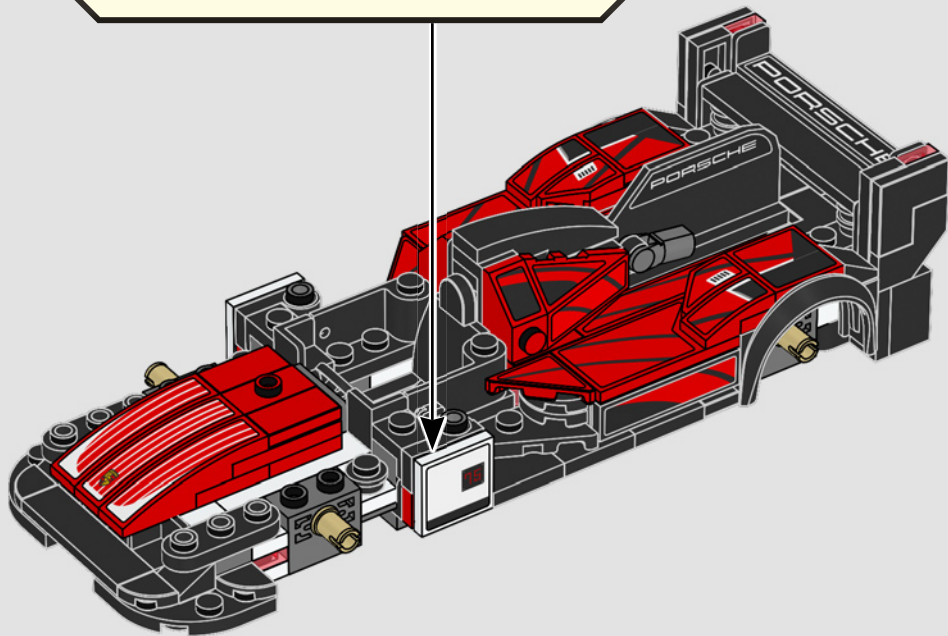


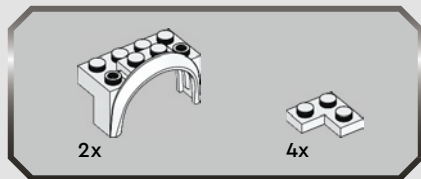
77



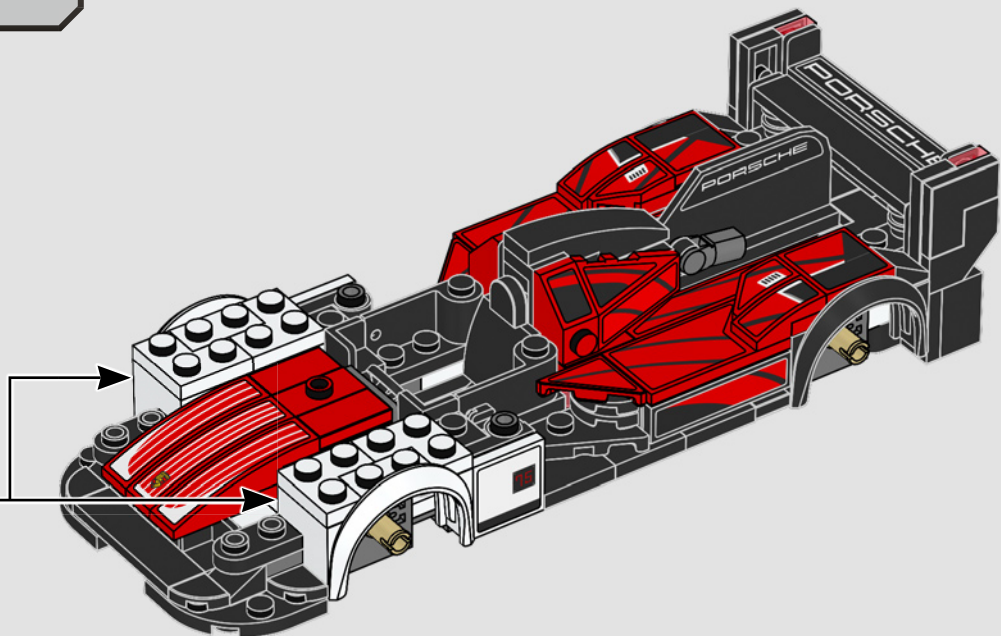
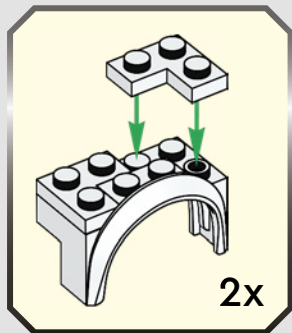


78



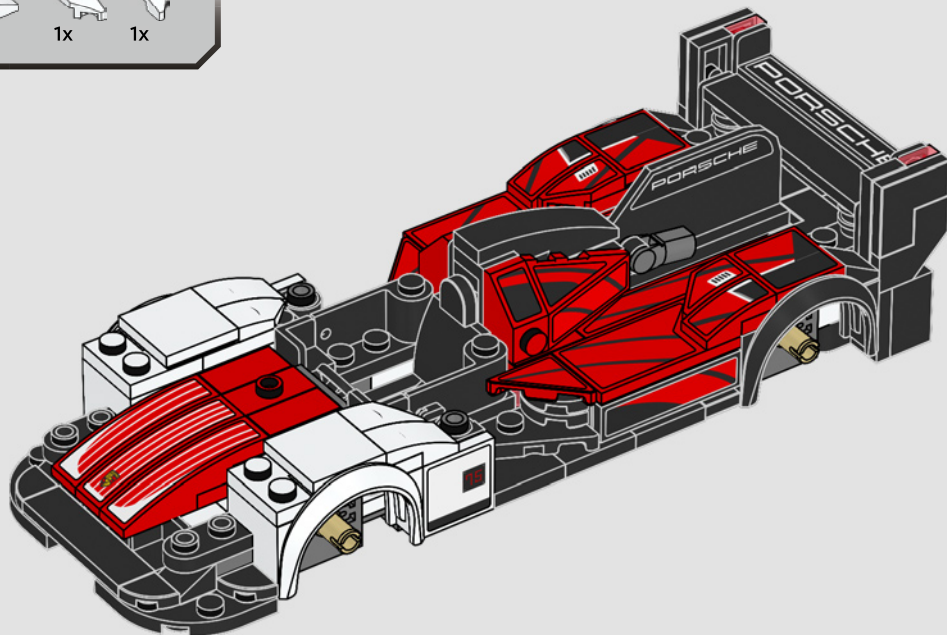


79

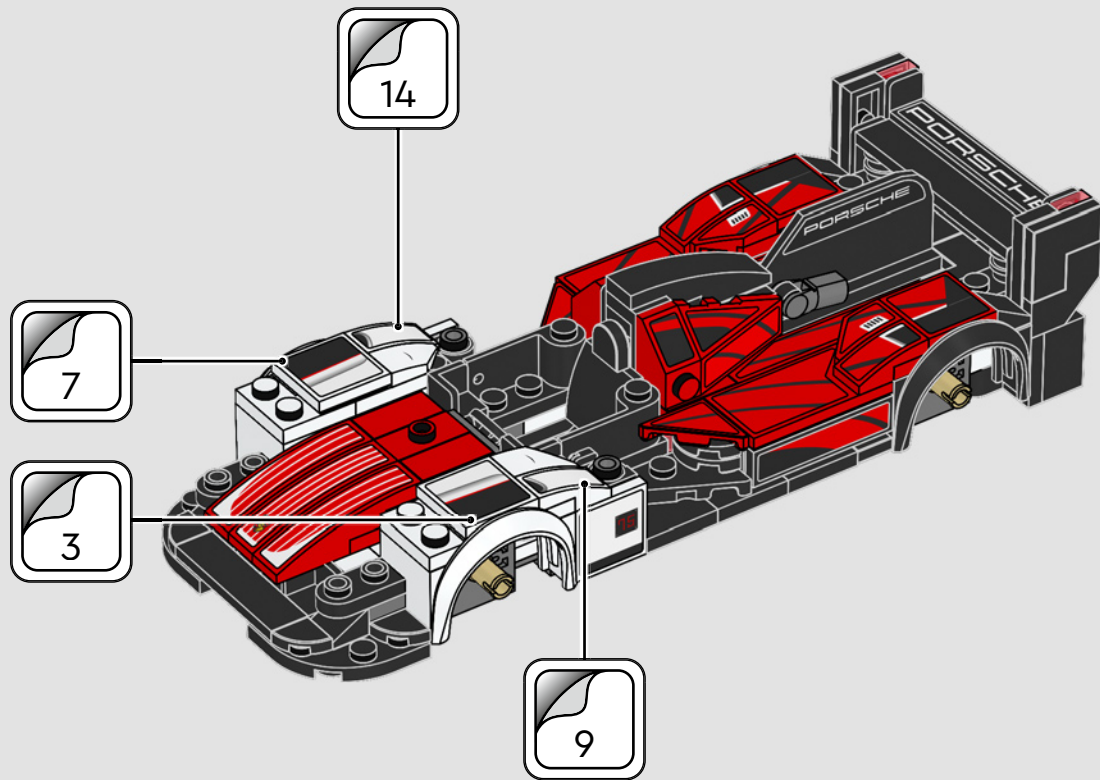




80



81



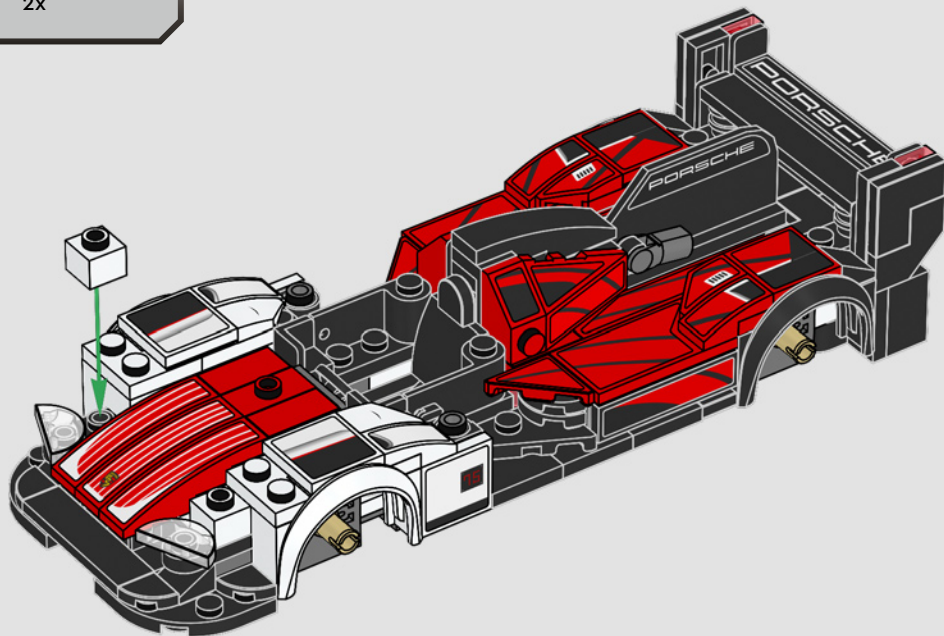


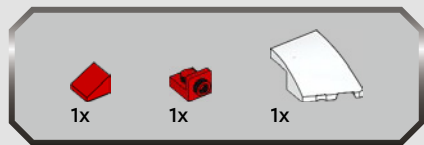
2x



2x

82



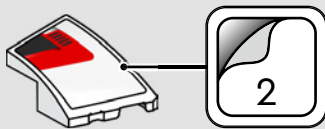


83

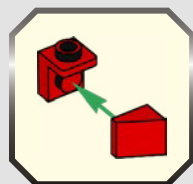
1

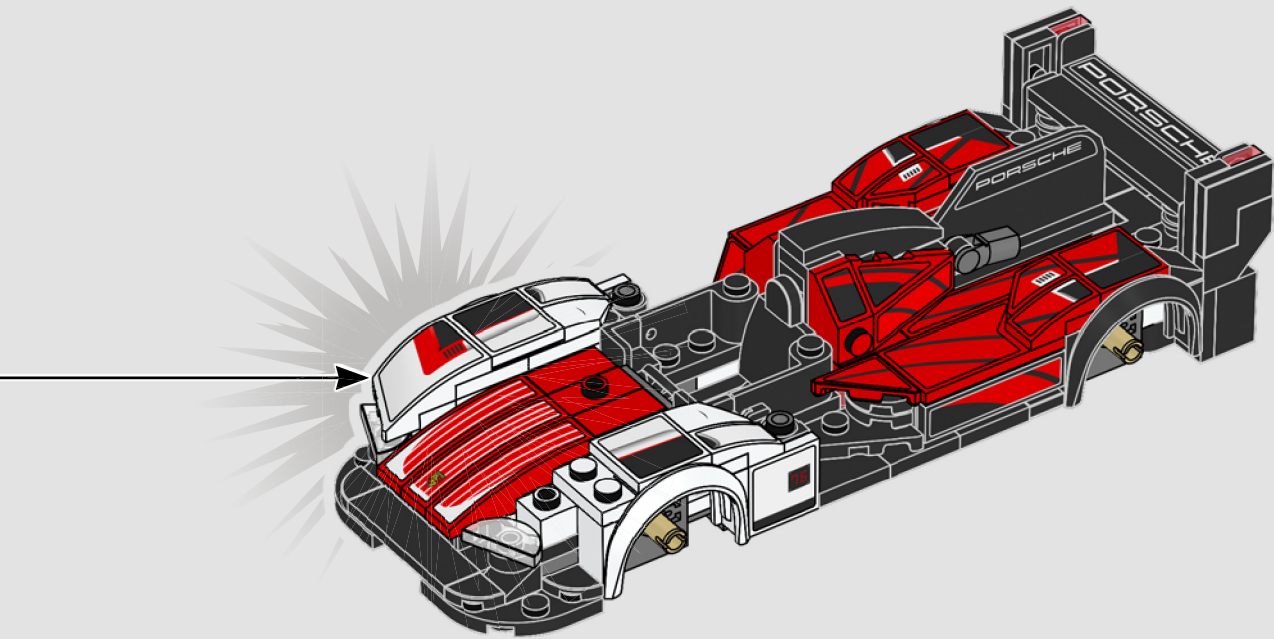


2



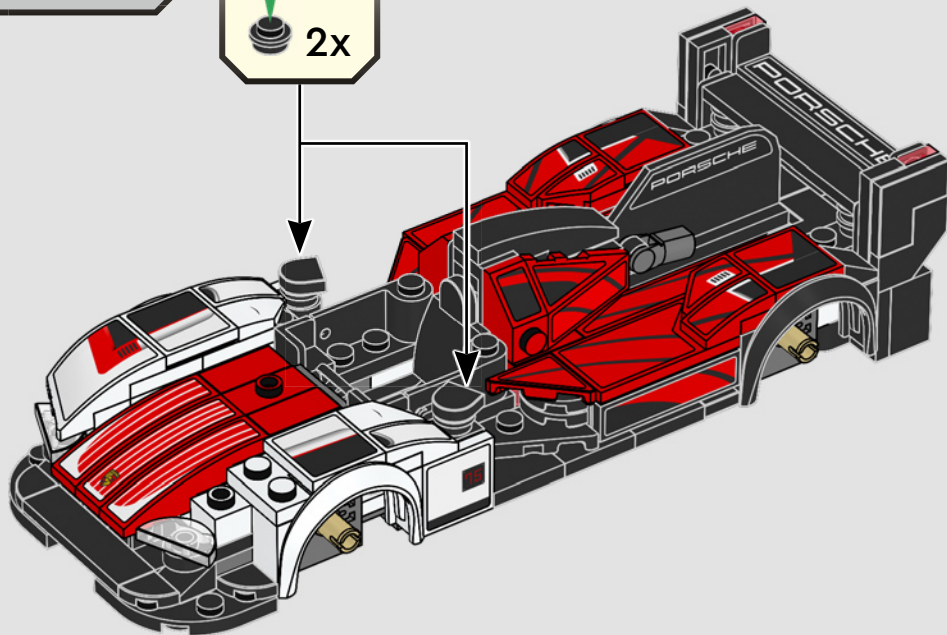
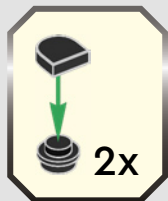
3







84



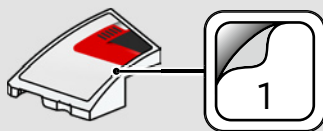


85

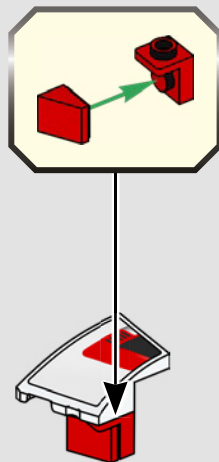
1

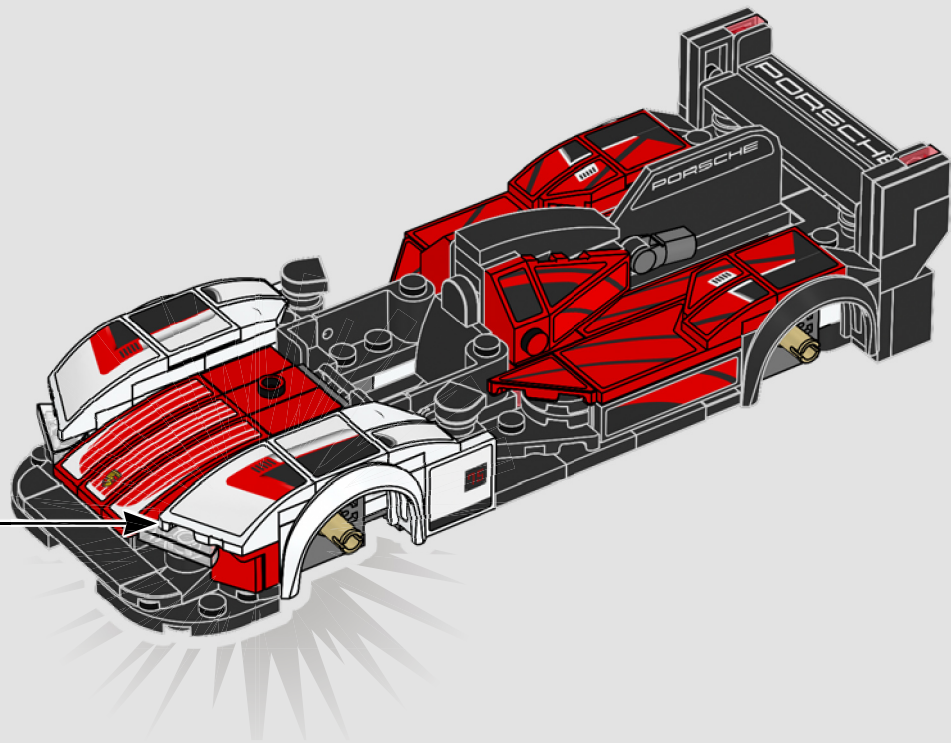


2



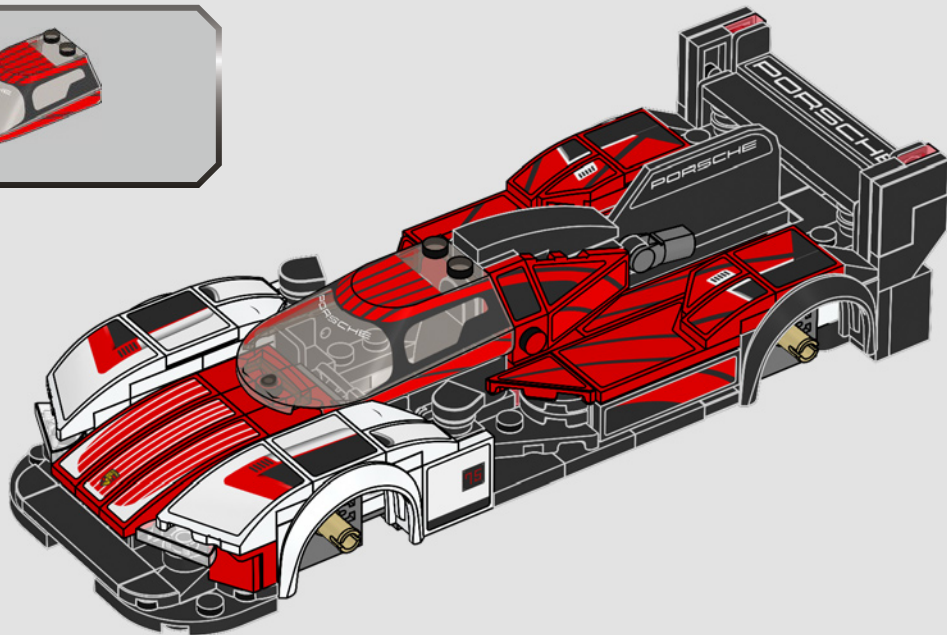
3





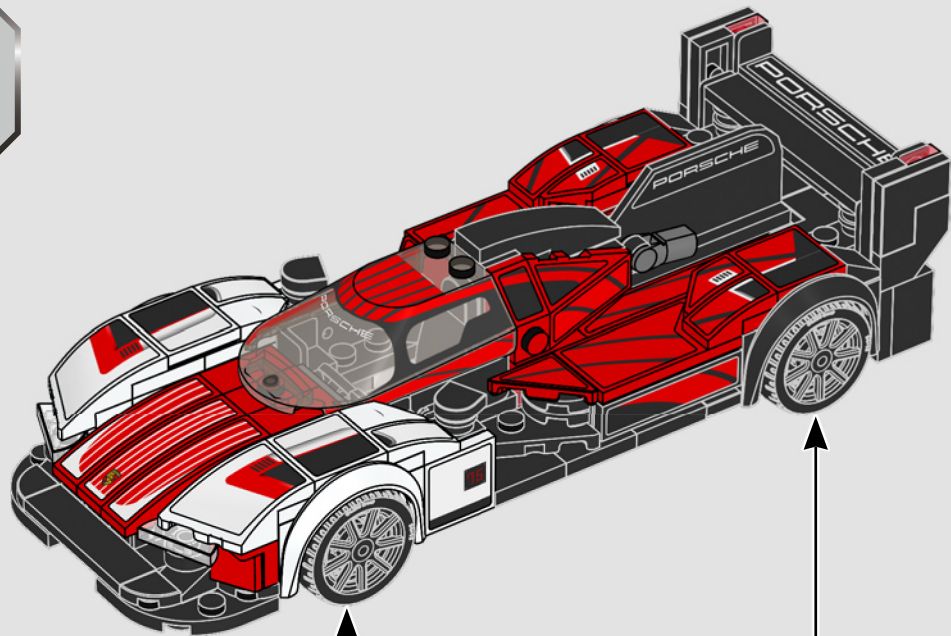


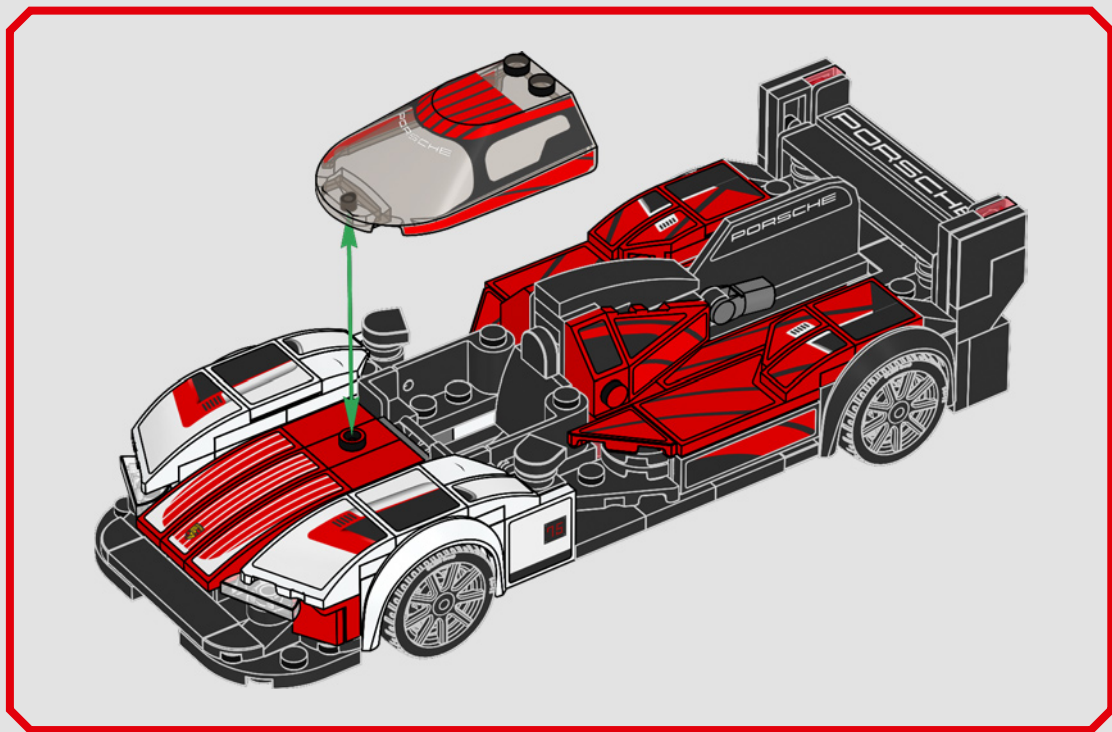
86

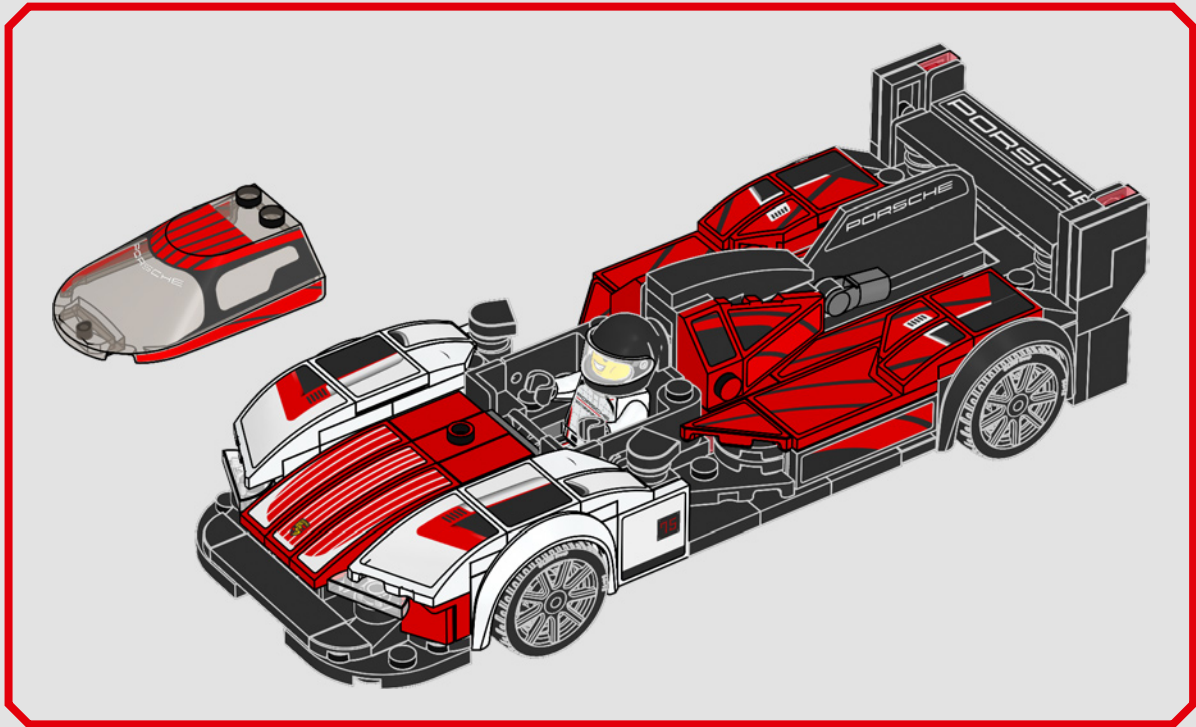


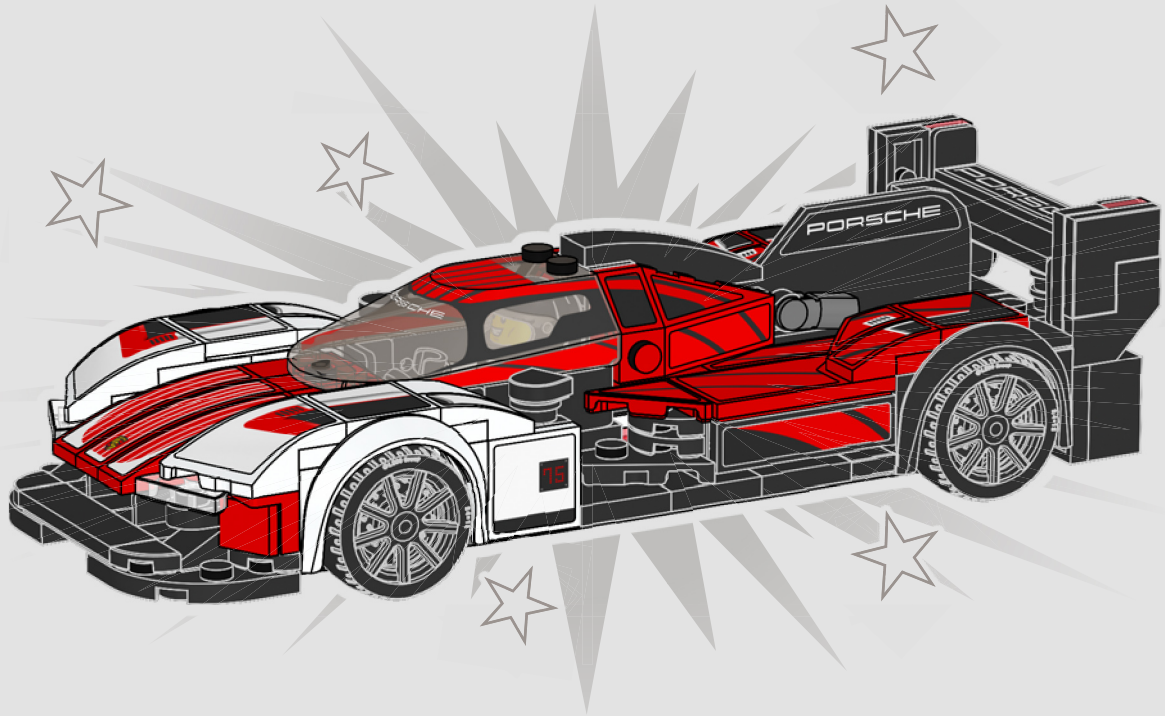


87











SPEED CHAMPIONS



76918



76914

Produced under license of Ferrari S.p.A. The name FERRARI, the PRANCING HORSE device, all associated logos and distinctive designs are property of Ferrari S.p.A. The body designs of the Ferrari cars are protected as Ferrari S.p.A. property under design, trademark and trade dress regulations.



76915

The trademarks PAGANI and Pagani Automobili and Utopia are registered trademarks and used under license from HORACIO PAGANI S.P.A., Italy

Under license of Porsche AG.



76916

Nissan Motor Co., Ltd. trademarks, designs, copyrights and/or other intellectual property rights used under license.

Copyright © 24 Hours of Le Mans. « Le Mans », « 24 Hours of Le Mans » and the 24 Hours of Le Mans' logo are registered trademarks of the Automobile Club de l'Ouest and are used under license by the LEGO Group.



76917

Manufactured under license from McLaren Automotive Limited. The McLaren name and logo are registered trademarks of McLaren.

© Universal City Studios LLC. All Rights Reserved.



2x
4558952



4x
6383985



1x
6213880



1x
6213881



1x
6438739



4x
302301



2x
6034044



4x
6018774



10x
242001



1x
6407402



4x
306801



1x
6046979



1x
6443869



1x
6407399



3x
243101



5x
302001



2x
6438923



4x
4666579



2x
4504379



2x
302421



1x
6177505



2x
6249907



1x
6177507



4x
6092565



5x
306921



2x
6029946



2x
6351892



2x
306821



2x
242021



3x
302221



2x
302121



3x
6045937



1x
6431123



1x
6217123



2x
4560179



1x
6431121



2x
4113858



2x
346021



1x
6438740



22x
614126



5x
6256435



9x
6424674



4x
4106347



4x
4504382



4x
6172383



5x
6335317



2x
6299338



1x
6380236



1x
6295295



1x
6295293



4x
6438919



1x
4548180



3x
6115086



2x
6248496



2x
6092585



1x
73081



3x
302326



2x
6192309



2x
6020193



1x
6024113



4x
6428168



2x
6350725



7x
6192346



6x
6133722



1x
6053077



1x
4298619



2x
6166859



1x
6024114



2x
6382491



4x
362326



4x
6336858



1x
400626



2x
4227392



8x
371026



3x
243126



1x
6037746



2x
6443446



1x
6350415



1x
6039194



2x
663626



1x
6438920



1x
303426



1x
4656764



1x
6336204



1x
6244787



2x
6443797



5x
6254248



2x
6251290



10x
6240212



1x
6408458



2x
6397633



2x
6395635



2x
6388133



1x
6146225



2x
6215212



2x
6126083



4x
4210635



1x
6343852



3x
4211043



2x
4211056



2x
6287680



2x
4210678



1x
6368591



 [LEGO.com/service](https://www.LEGO.com/service)

YOU COULD
WIN



Scan this QR code or go to
LEGO.COM/PRODUCTFEEDBACK and give us
your short feedback about this LEGO® set for
a chance to win a cool LEGO prize.

Terms and Conditions apply*

DE: Du könntest GEWINNEN. Es gelten die Teilnahmebedingungen* **FR: Tu pourrais GAGNER.** Des conditions s'appliquent* **IT: Potresti VINCERE tu.** Termini e condizioni sono applicabili* **ES: Puedes GANAR.** Aplican términos y condiciones* **PT: Poderá GANHAR.** Aplicam-se termos e condições* **JA: プレゼント付き! 利用規約が適用されます*** **ZH: 轻松获奖. 条款和条件适用*** **KO: 상품의 주인이 되어보세요. 소정의 약관이 적용됩니다*** **RU: Вы можете ВЫИГРАТЬ.** Действуют положения и условия* **PL: Szansa na WYGRANĄ.** Obowiązują warunki korzystania* **CS: Máte šanci VYHRÁT.** Platí všeobecné smluvní podmínky* **SK: Máte šancu VYHRAŤ.** Platia všeobecné zmluvné podmienky* **HU: TE IS NYERHETSZ.** Felhasználási feltételek érvényesek* **RO: Ai putea CÂȘTIGA.** Se aplică termenii și condiții* **BG: Можете да СПЕЧЕЛИТЕ.** Има определени правила и условия* **LV: Tu vari LAIMĒT.** Ir spēkā noteikumi un nosacījumi.* **ET: Sul on võimalus VÕITA.** Kehtivad tingimused* **LT: Jūs galite LAIMĖTI.** Taikomos sąlygos*

*[LEGO.com/productfeedback-terms](https://www.lego.com/productfeedback-terms)

LEGO and the LEGO logo are trademarks of the LEGO Group. ©2023 The LEGO Group.

Under license of Porsche AG.

Copyright © 24 Hours of Le Mans. « Le Mans », « 24 Hours of Le Mans » and the 24 Hours of Le Mans' logo are registered trademarks of the Automobile Club de l'Ouest and are used under license by the LEGO Group.

6500724