

LEGO

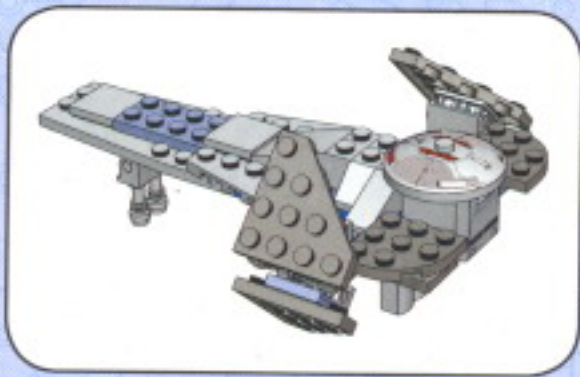
4493

STAR  
WARS

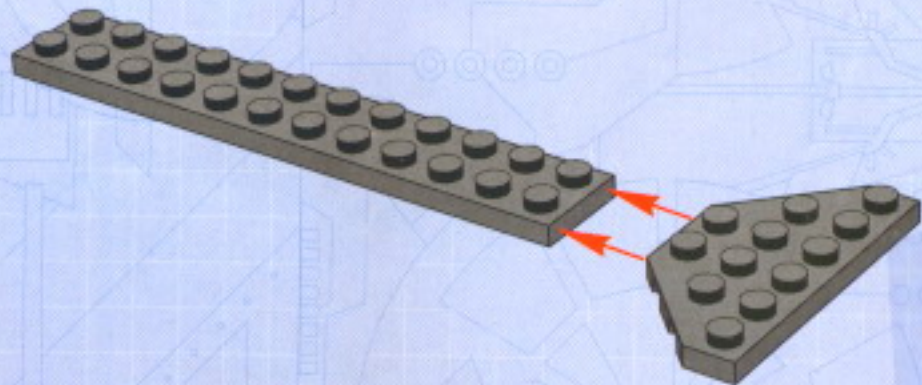


*Sith Infiltrator*™

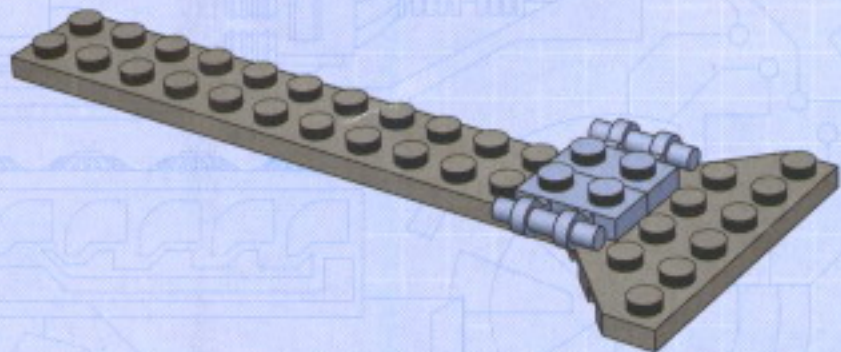
4226999



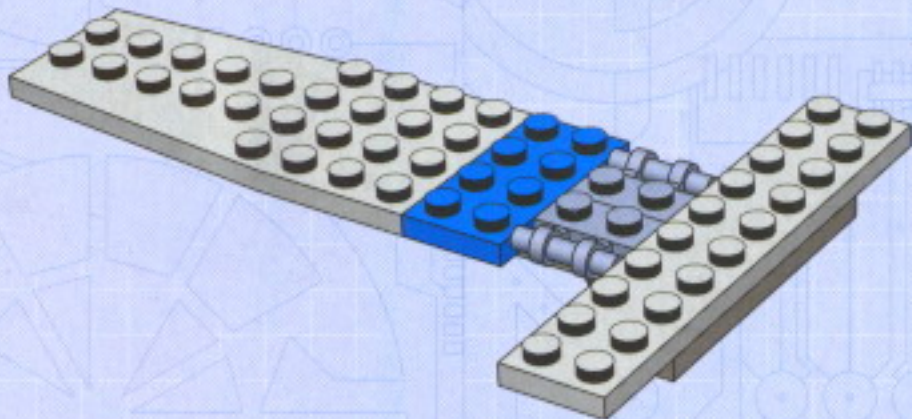
1



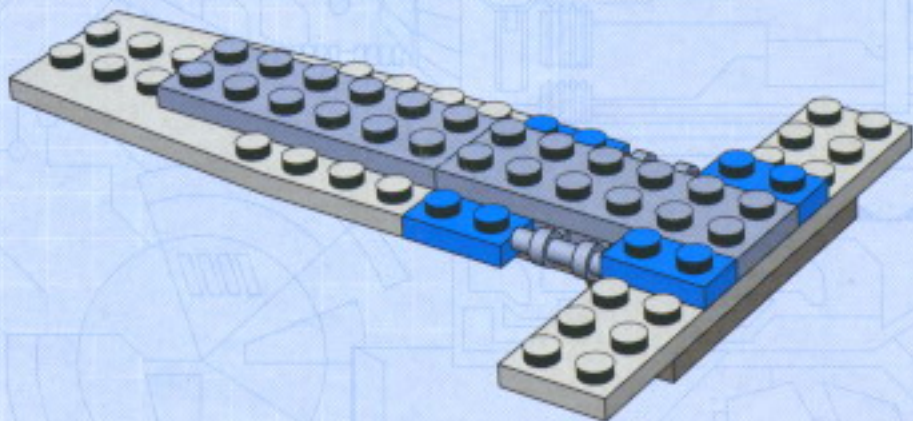
2



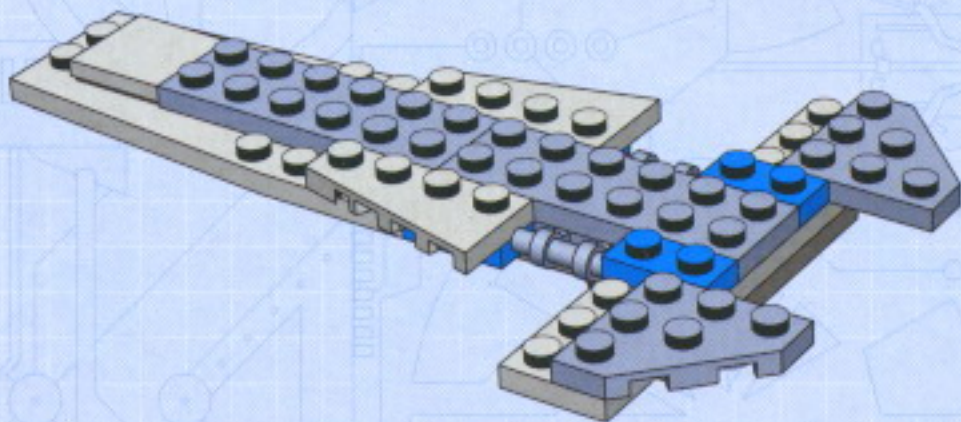
3



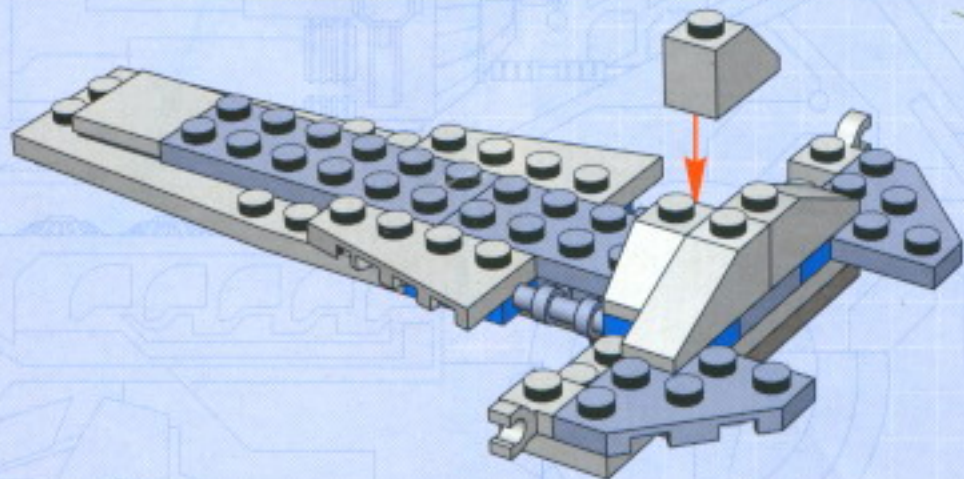
4



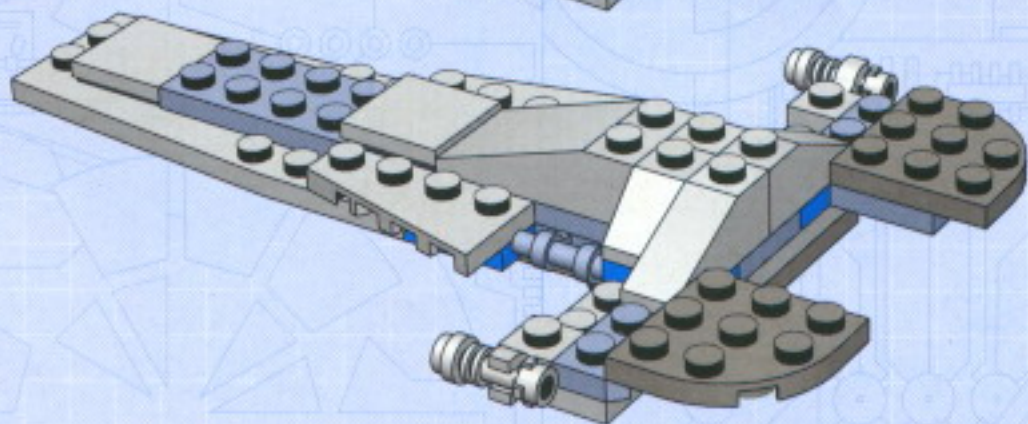
5



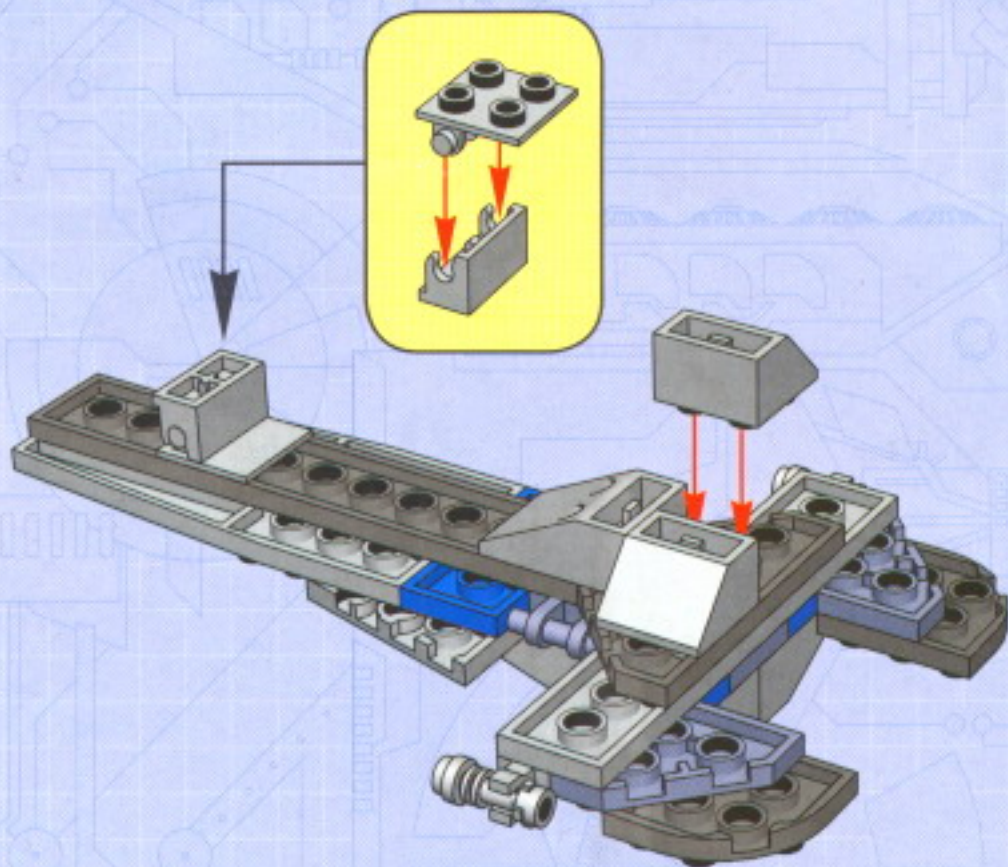
6



7



8



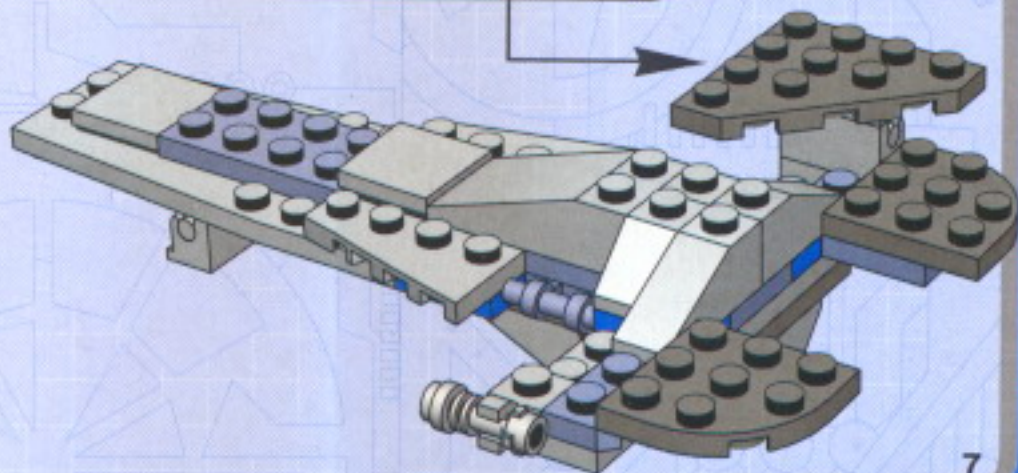
1



2

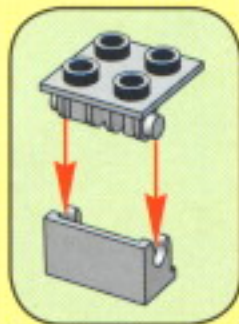
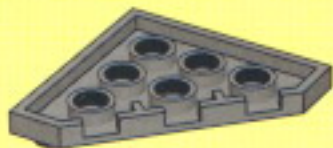


9

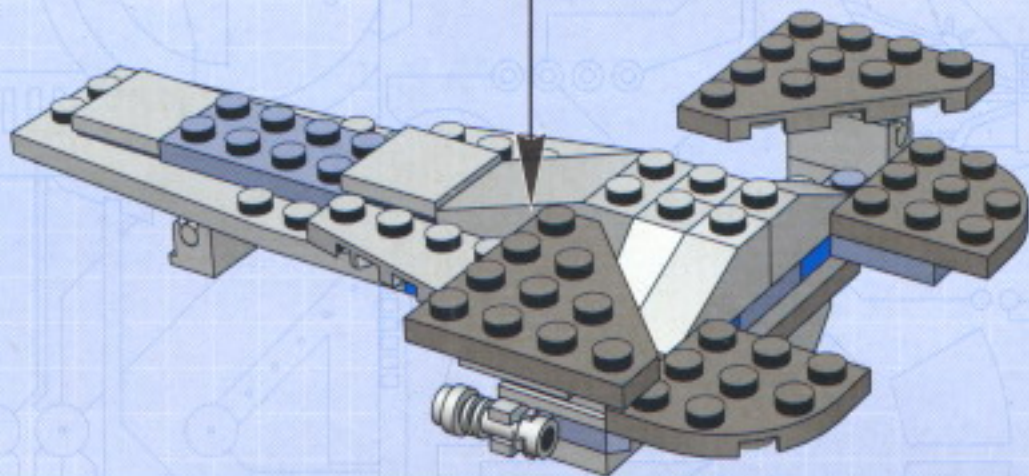
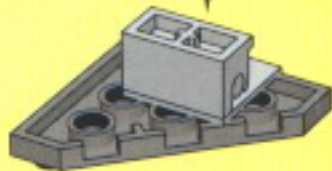


10

1

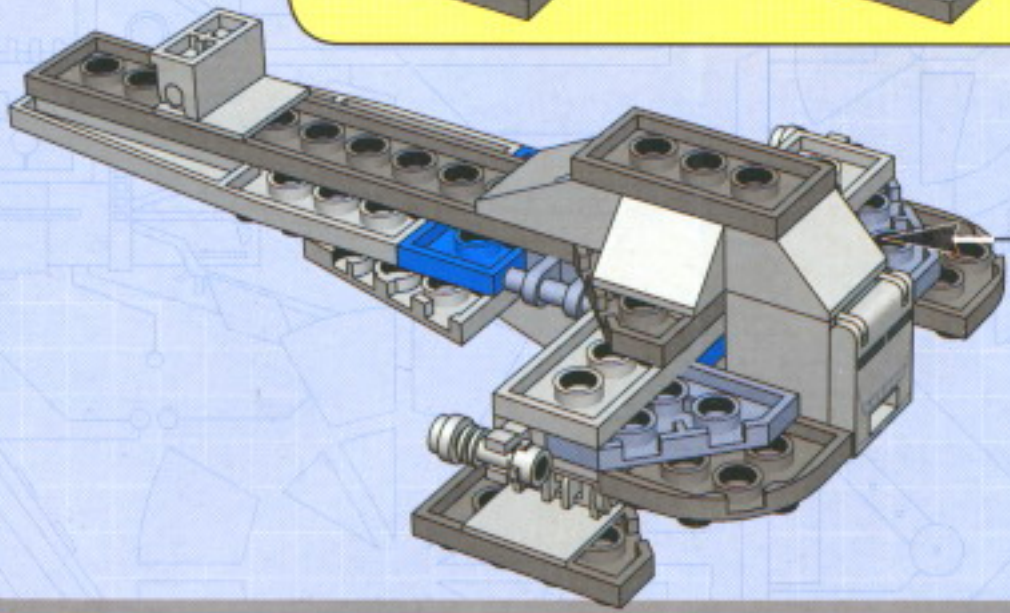
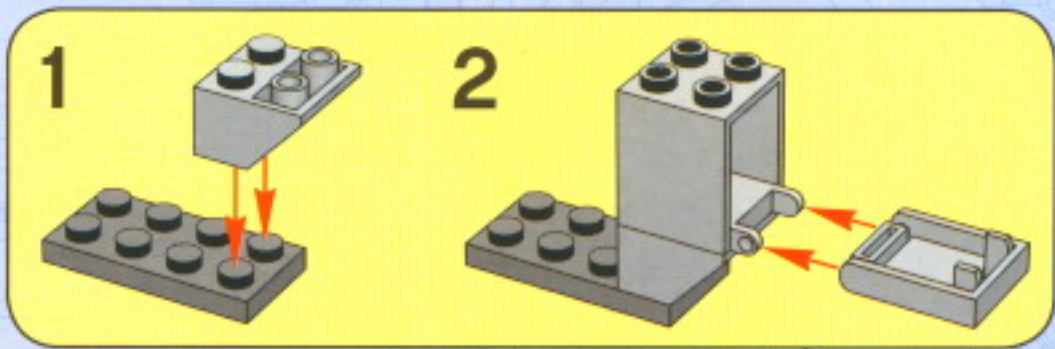


2



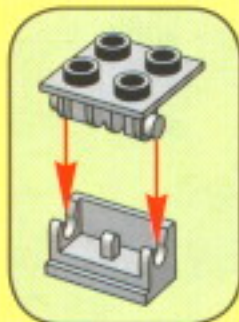


# 11

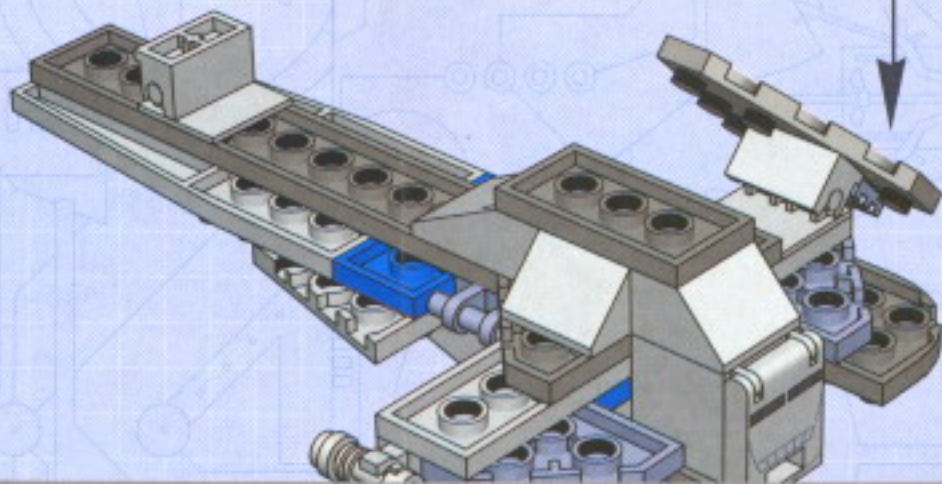


# 12

1



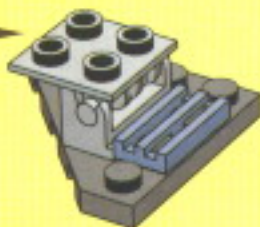
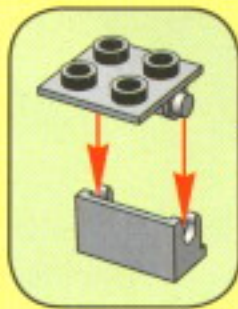
2



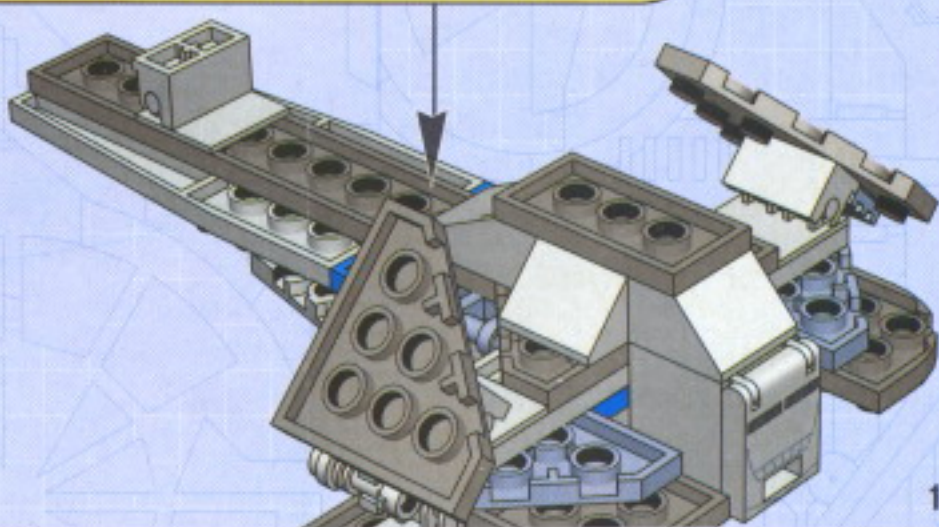
1



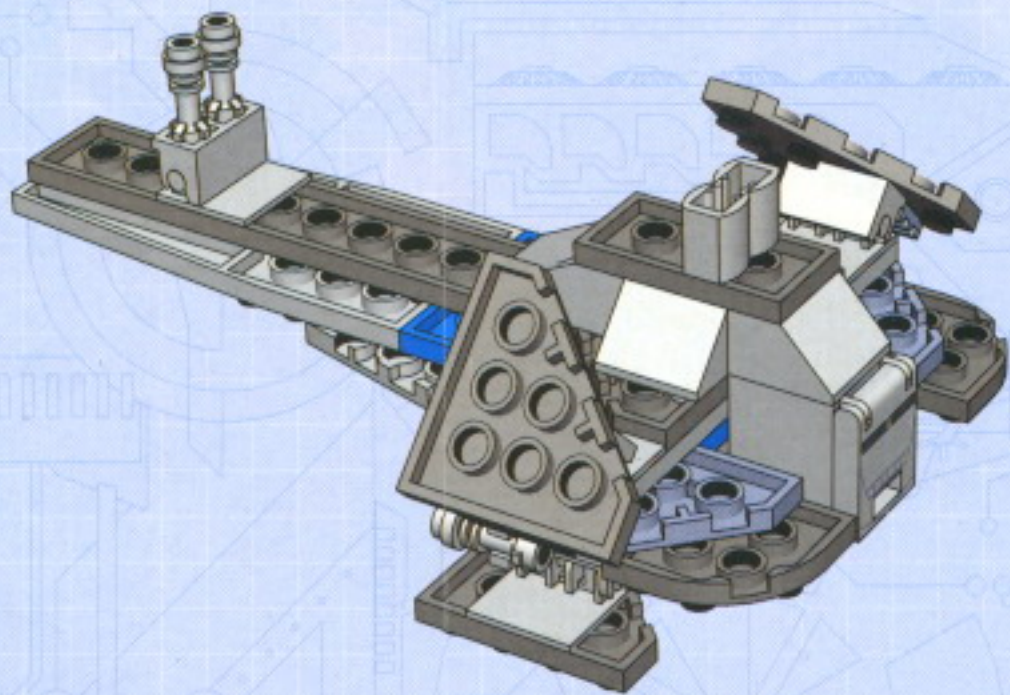
2



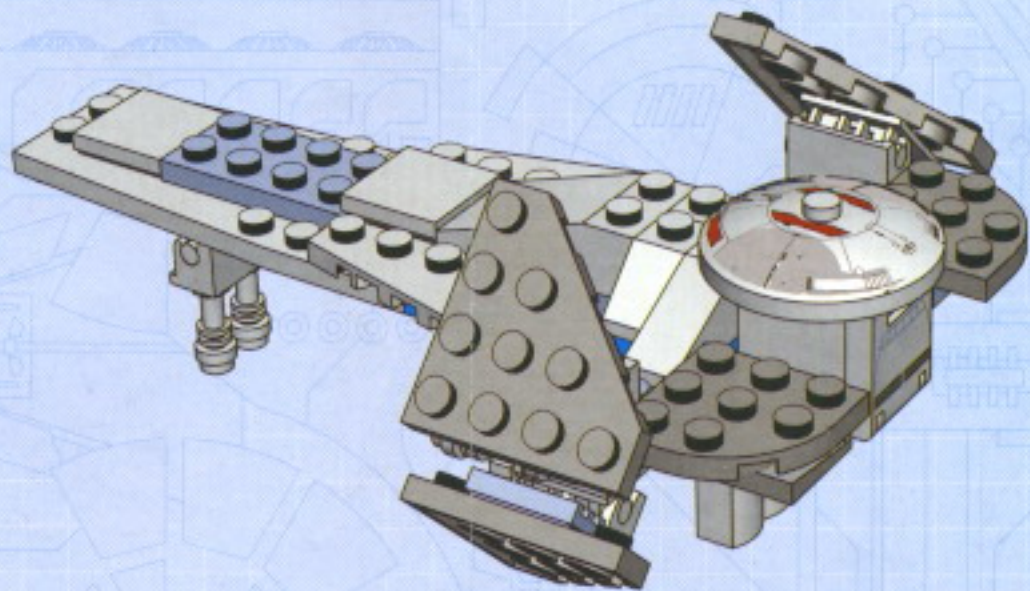
13



14



15



**4492**



**4493**



**4494**



**4495**




The LEGO logo is positioned in the top left corner, featuring the word "LEGO" in white, bold, sans-serif font inside a red square with rounded corners.

# STAR WARS™



www.LEGO.com

The background of the advertisement is a detailed LEGO Star Wars spaceship, possibly a Rebel transport, shown from a low angle. It has two large white engines with circular patterns on the front. A yellow pilot figure is visible in the cockpit. A bright green laser beam cuts across the dark space from the top right towards the ship. The ship is constructed from various LEGO bricks in shades of blue, black, and white.

For more exciting LEGO® Star Wars™  
information go to:  
[www.LEGO.com/starwars](http://www.LEGO.com/starwars)

The LEGO logo is positioned in the top left corner, featuring the word "LEGO" in white, bold, sans-serif font on a red square background.

# STAR WARS



www.LEGO.com

The background of the advertisement is a dynamic scene from a LEGO Star Wars set. It depicts a space battle with various spacecraft, including a large white ship with a circular opening and a smaller blue and white ship. A green laser beam cuts across the dark space. In the foreground, a cockpit is visible with a yellow LEGO minifigure pilot. The overall aesthetic is that of a classic LEGO advertisement, with a focus on the intricate details of the plastic bricks and the iconic Star Wars characters and settings.

For more exciting LEGO® Star Wars™  
information go to:  
[www.LEGO.com/starwars](http://www.LEGO.com/starwars)

SERVICE  
www.LEGO.com

LEGO, the LEGO logo and the Minifigure are trademarks or registered trademarks of LEGO Group. ©2004 The LEGO Group.  
©2004 Lucasfilm Ltd. & TMWC. All rights reserved. Used under authorization/Tous droits réservés. Utilisé sous autorisation/Todos los derechos reservados. Usado bajo autorización.