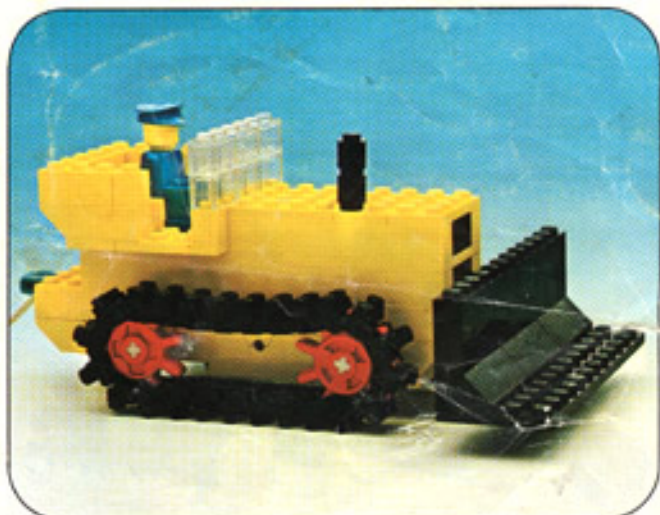
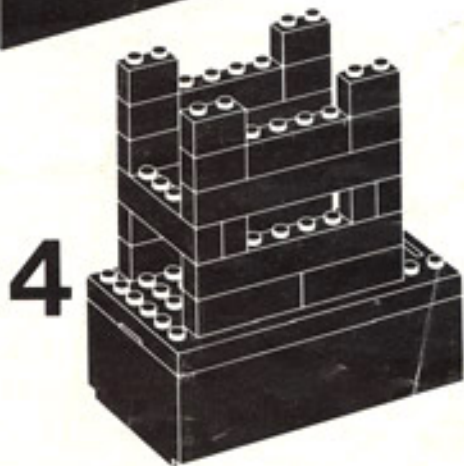
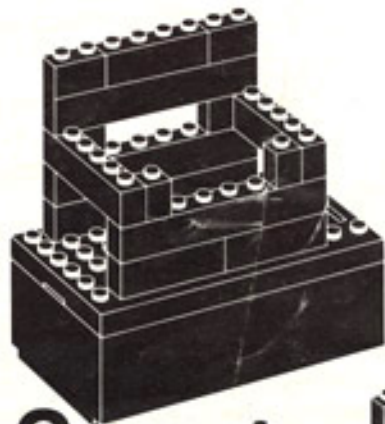
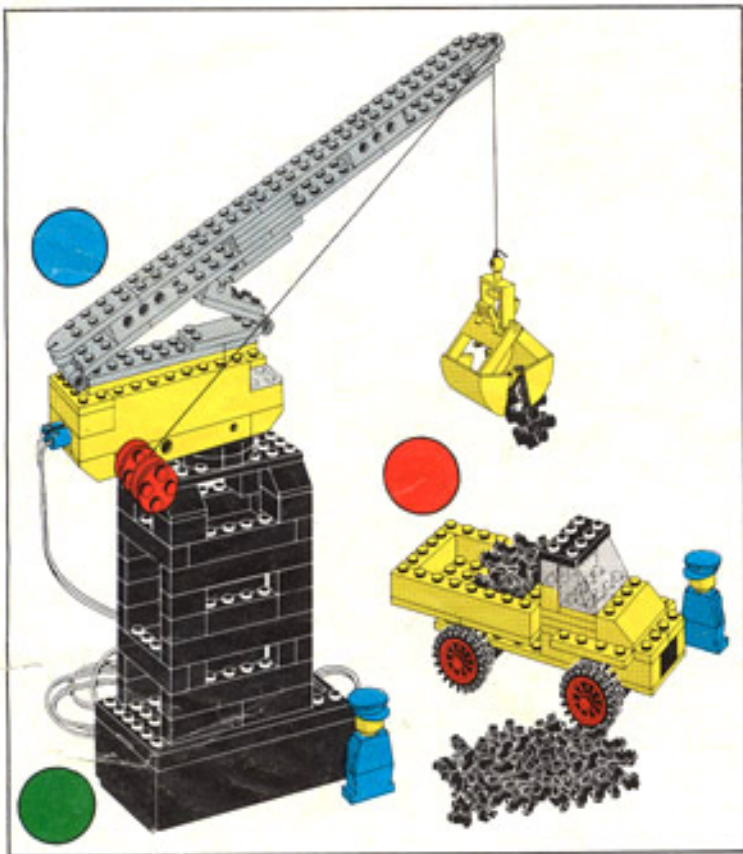


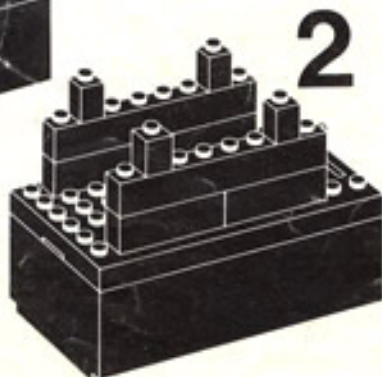
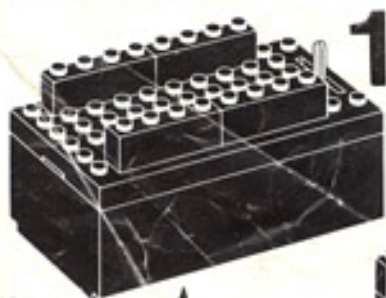
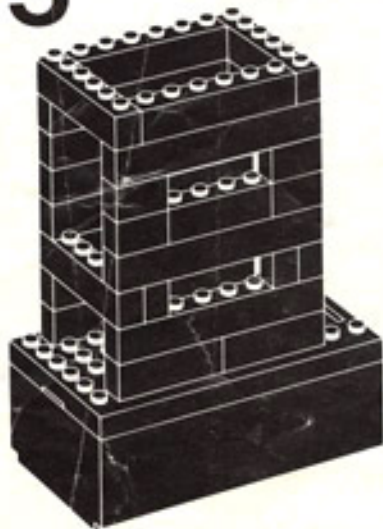


404 Universal Building Set

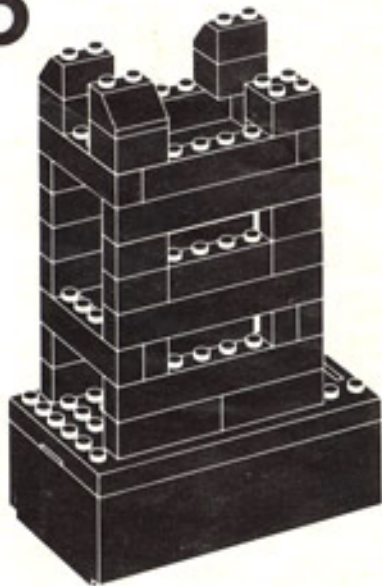




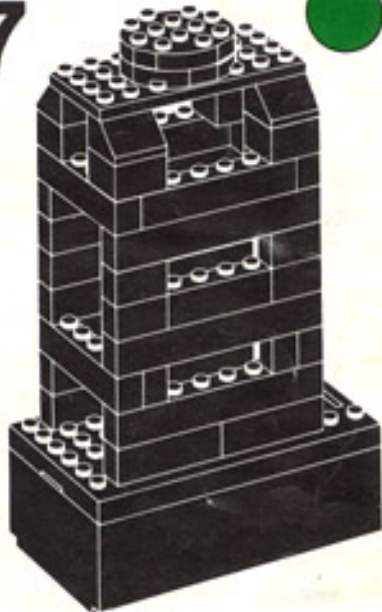
5



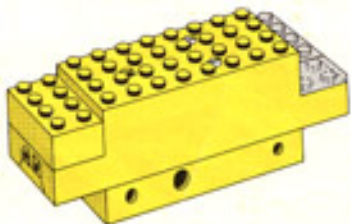
6



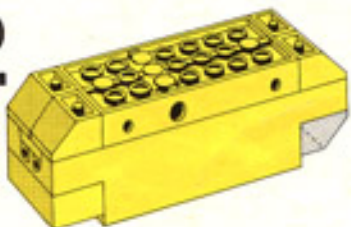
7



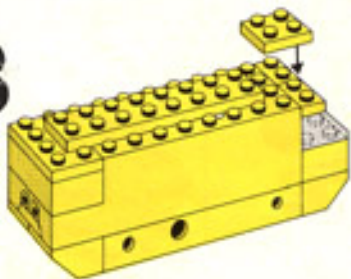
1



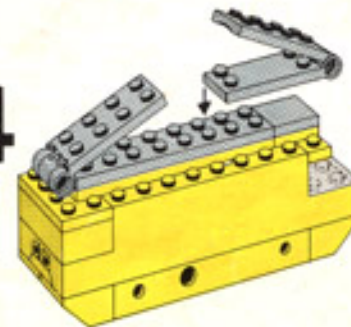
2



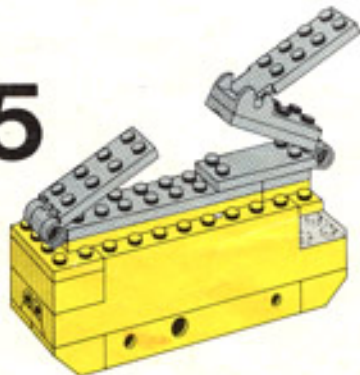
3



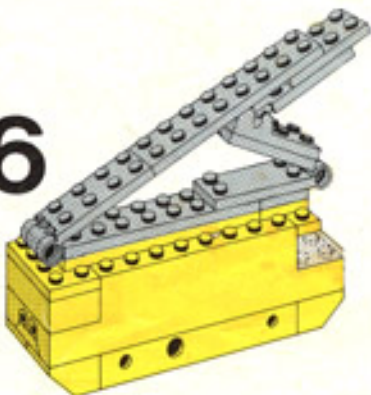
4



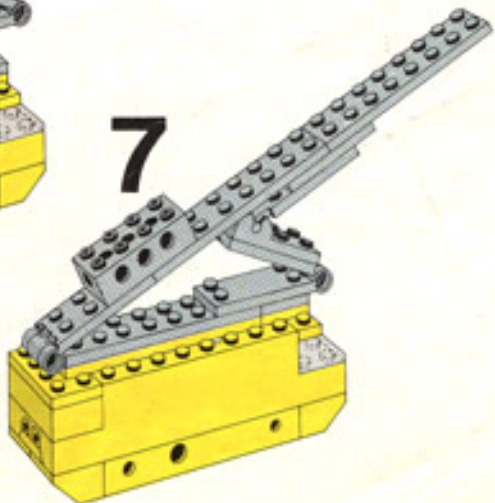
5

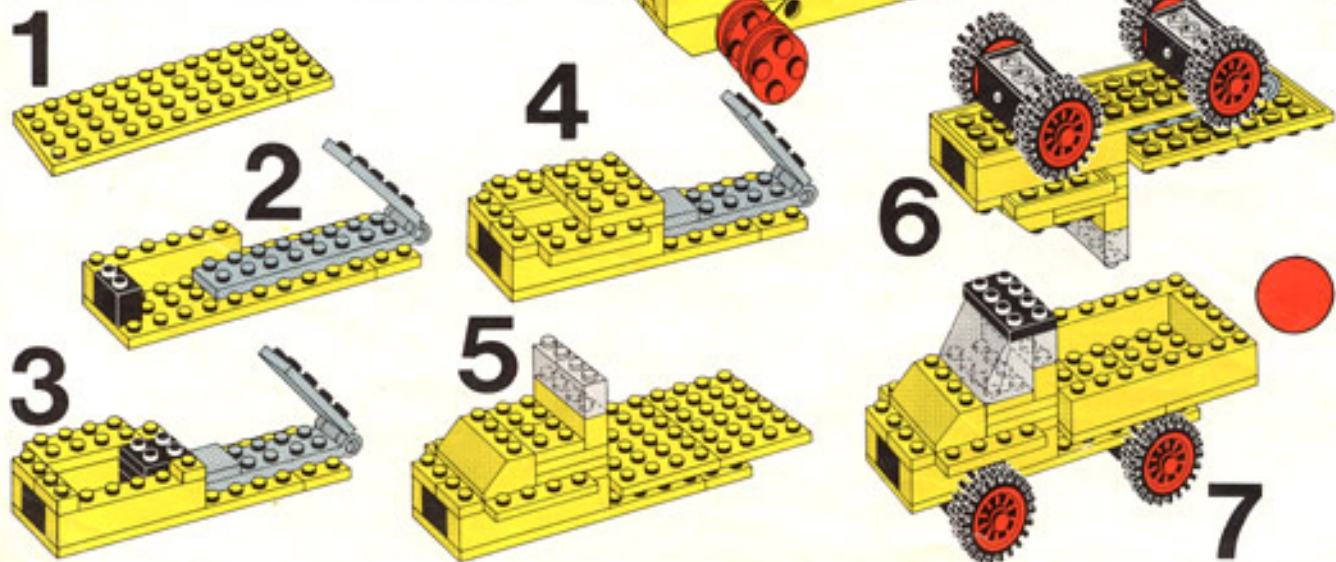
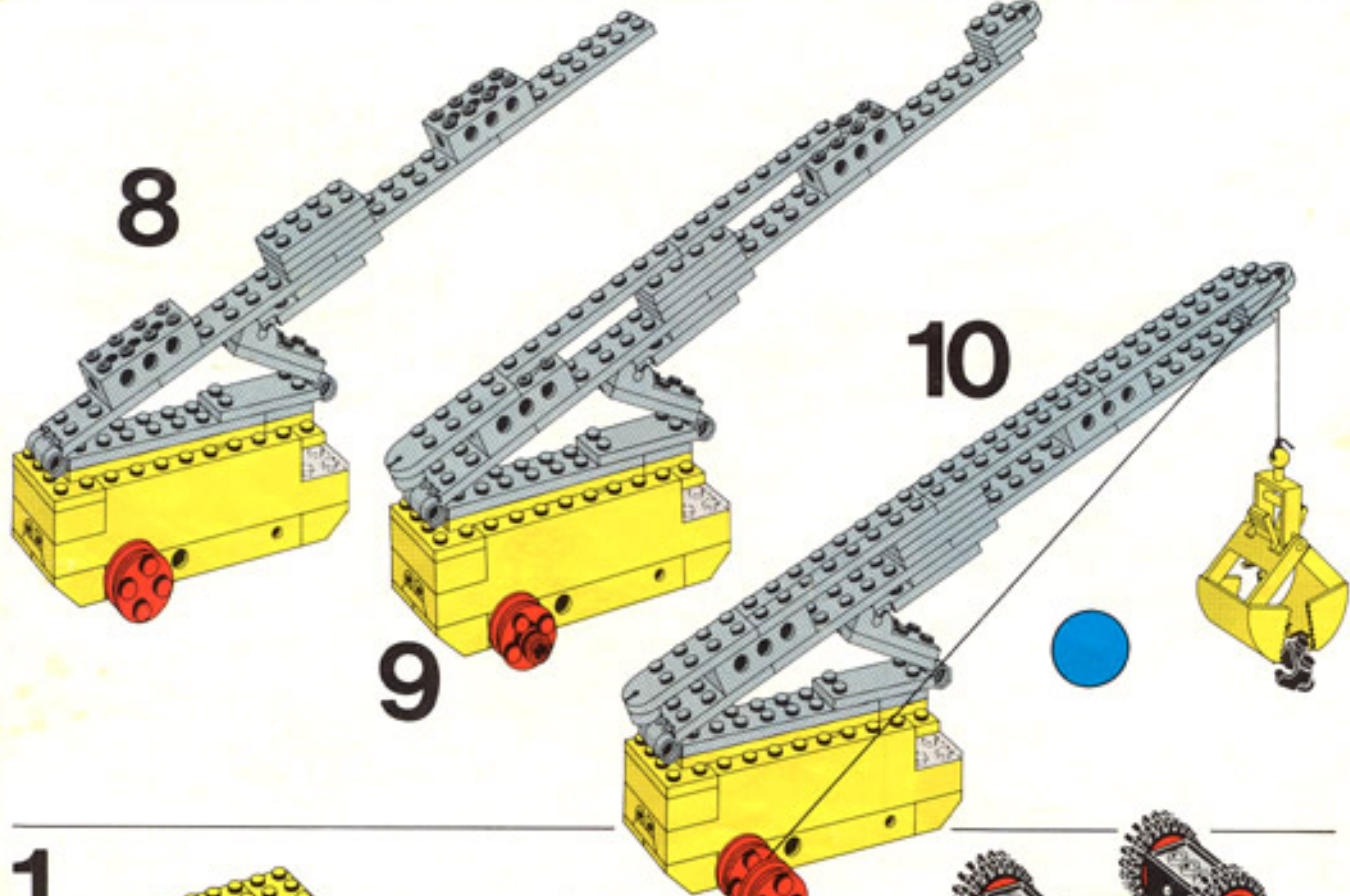


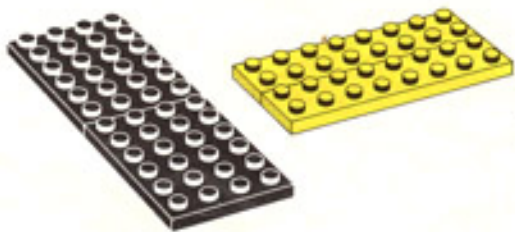
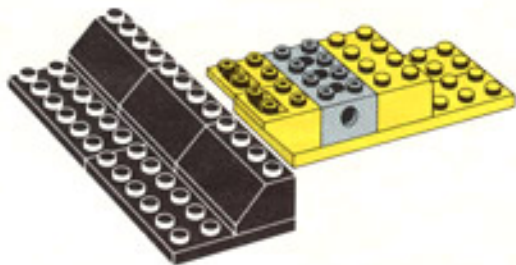
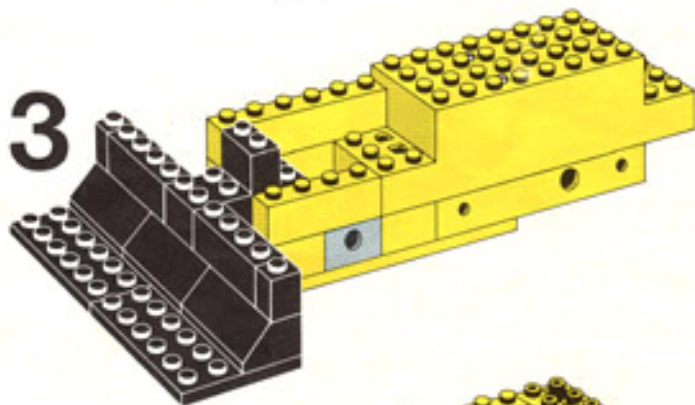
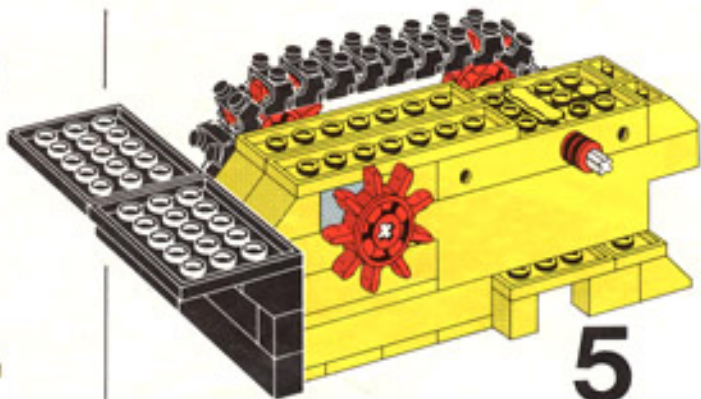
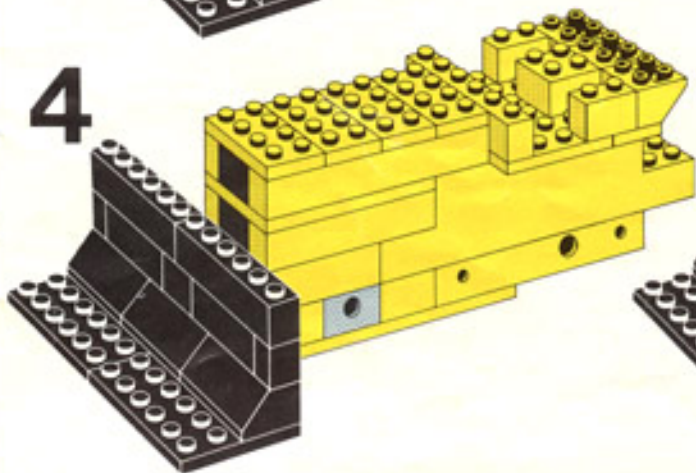
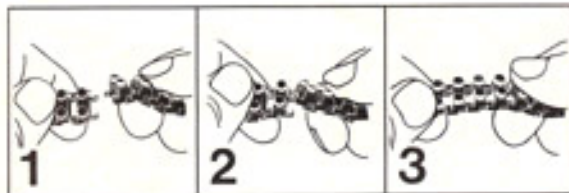
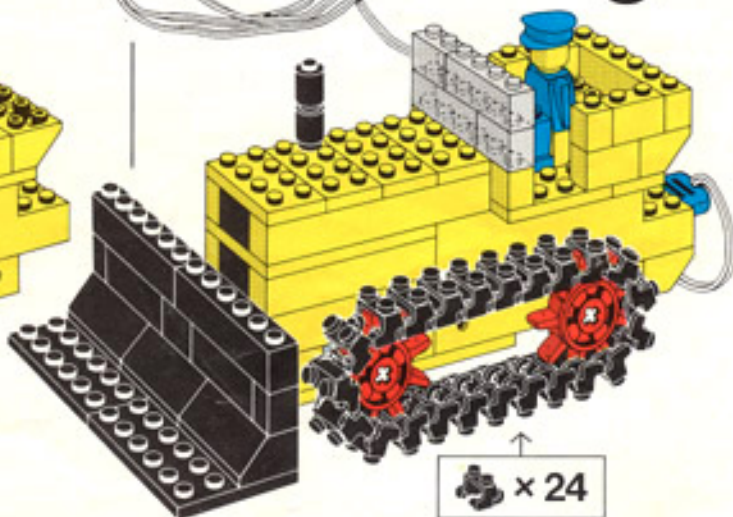
6



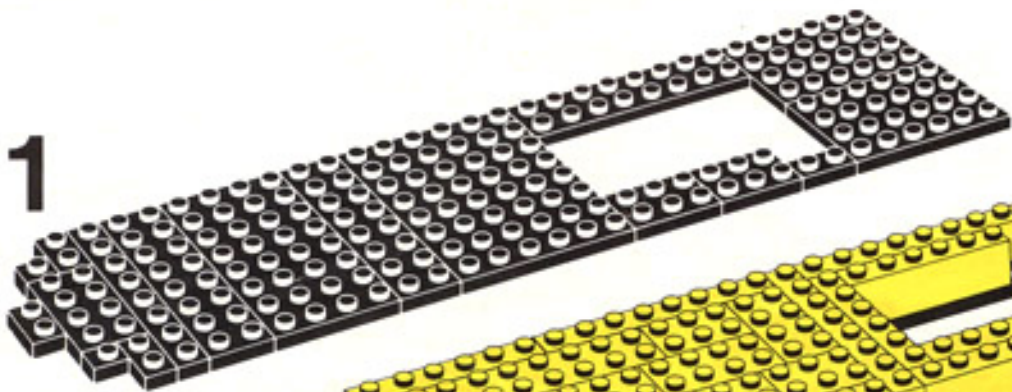
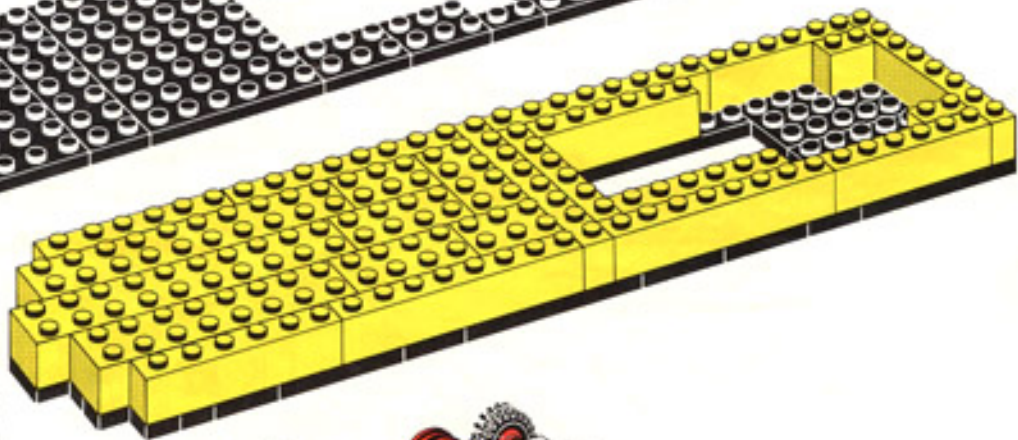
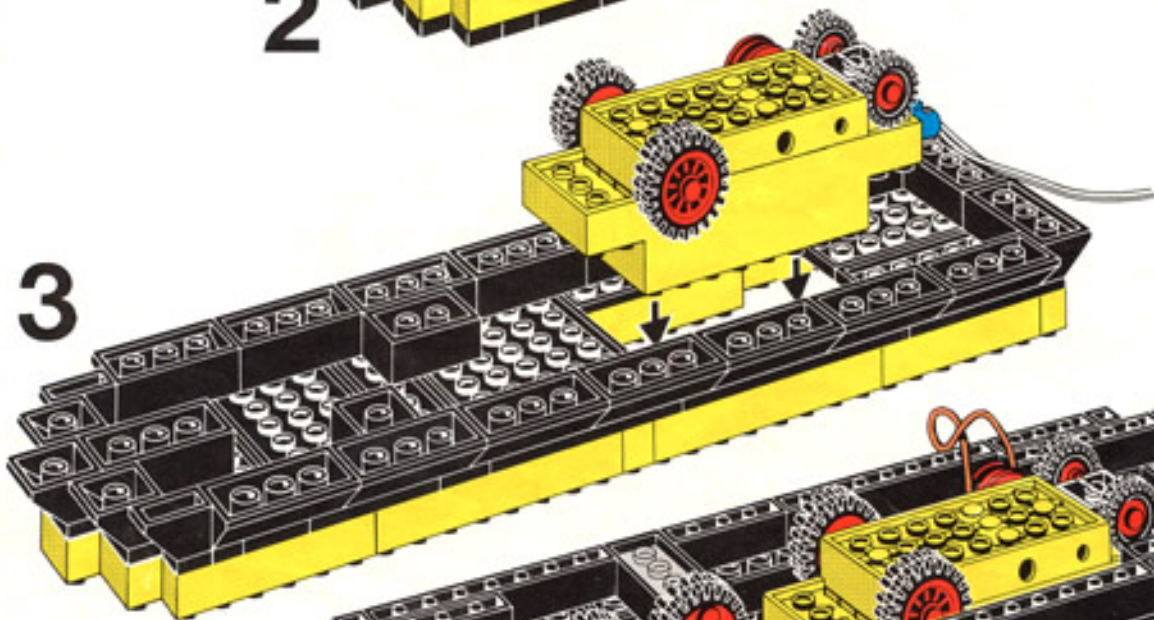
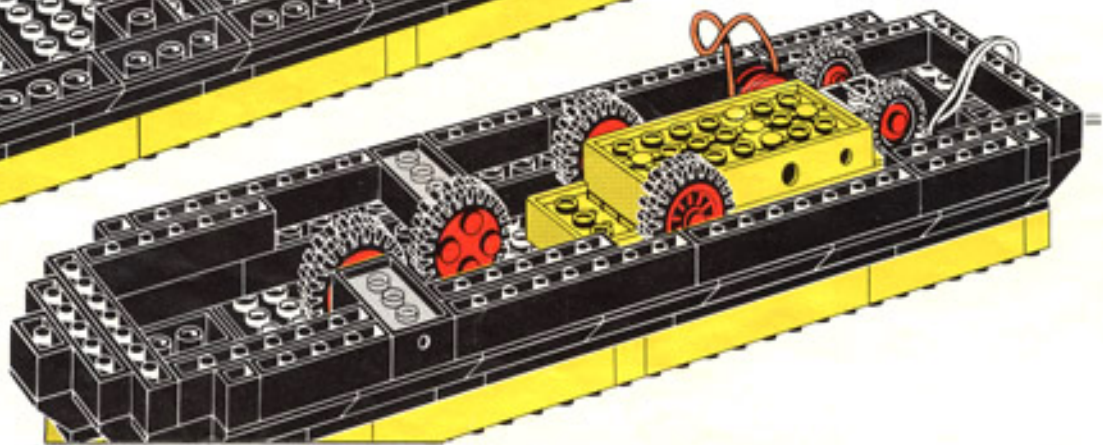
7



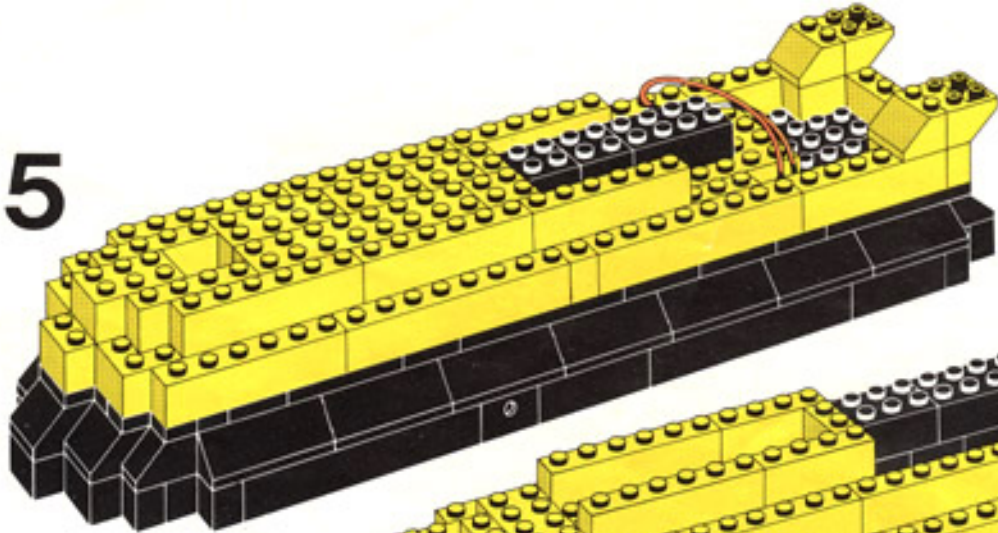


1**2****3****4****5****6**

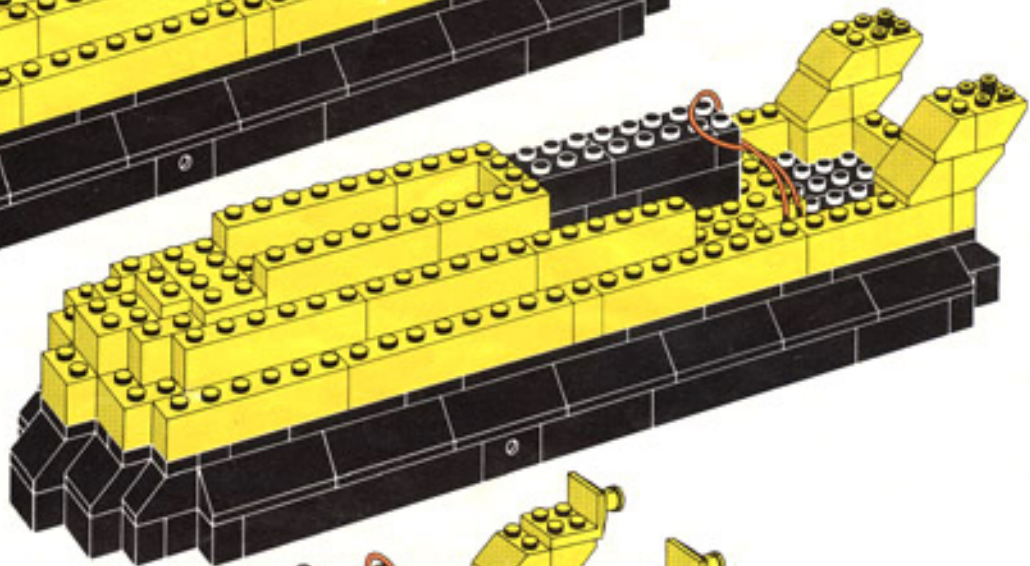
× 24

1**2****3****4**

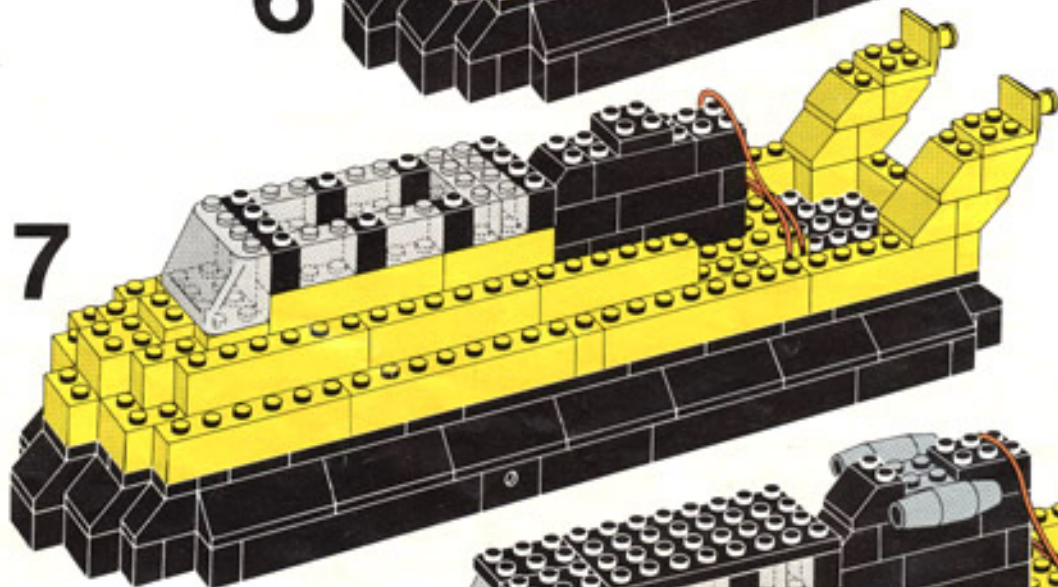
5



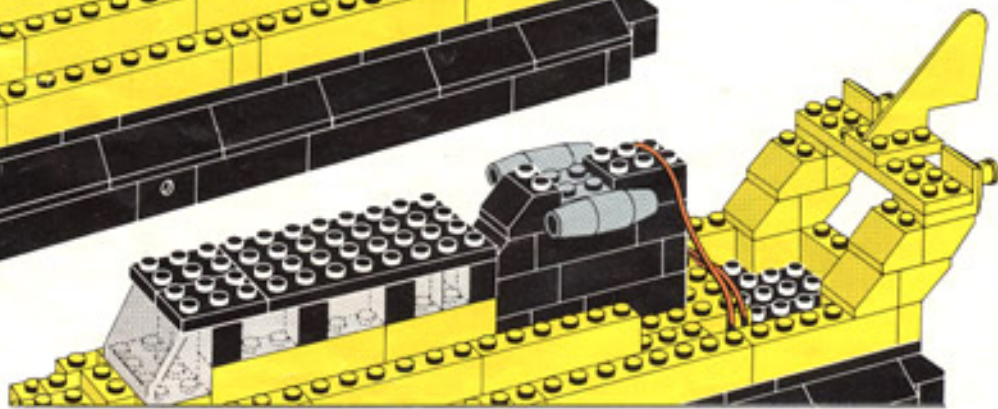
6



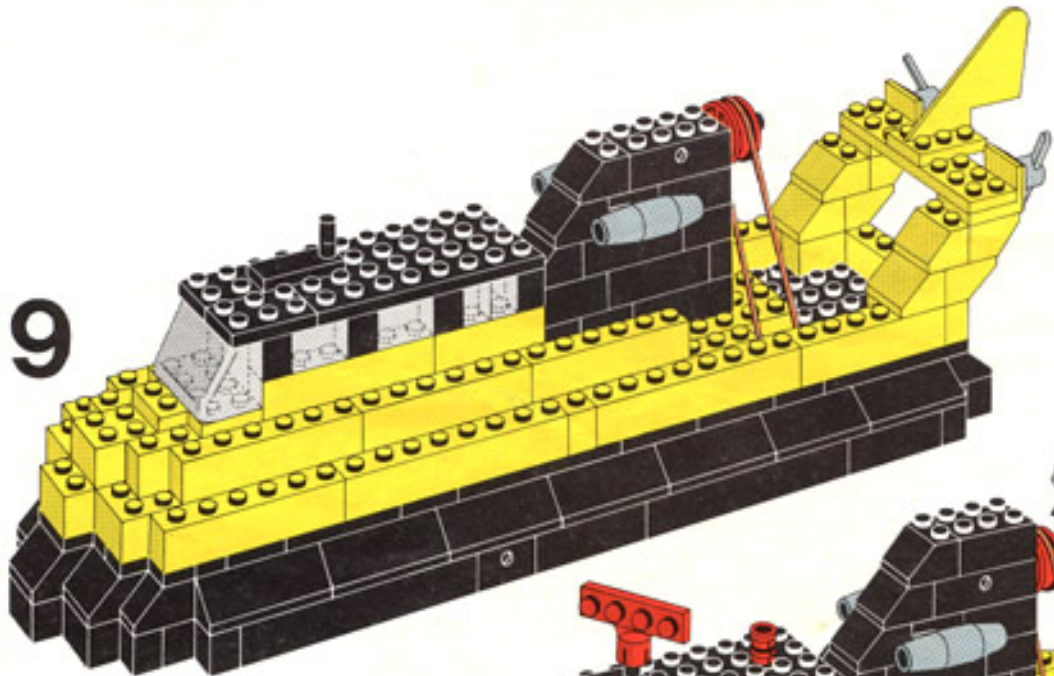
7



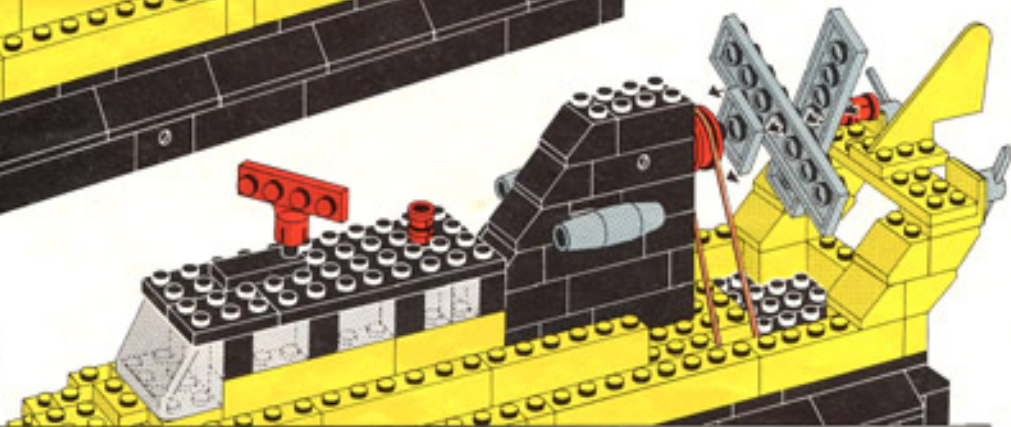
8



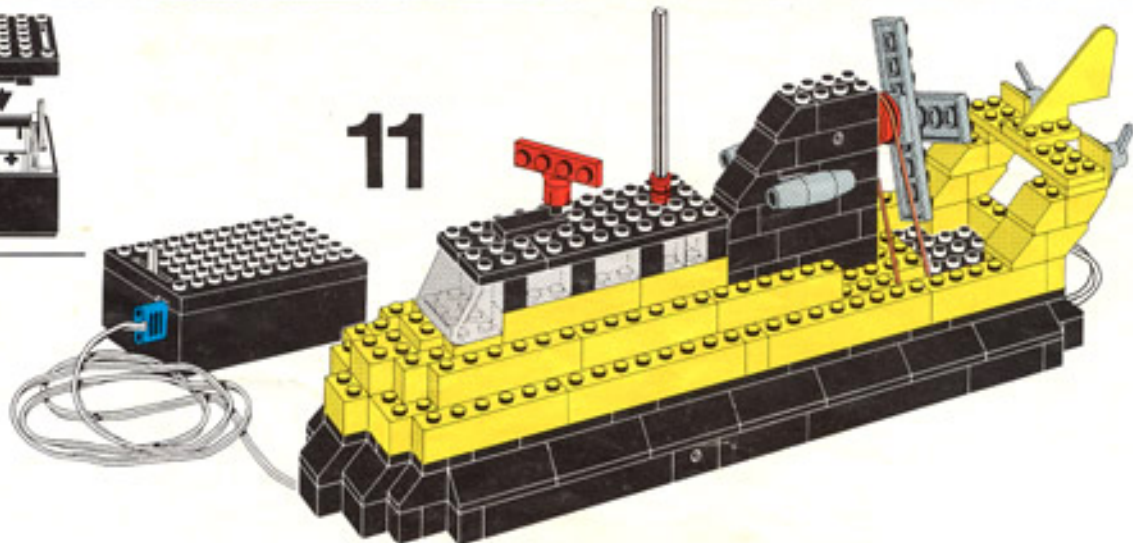
9



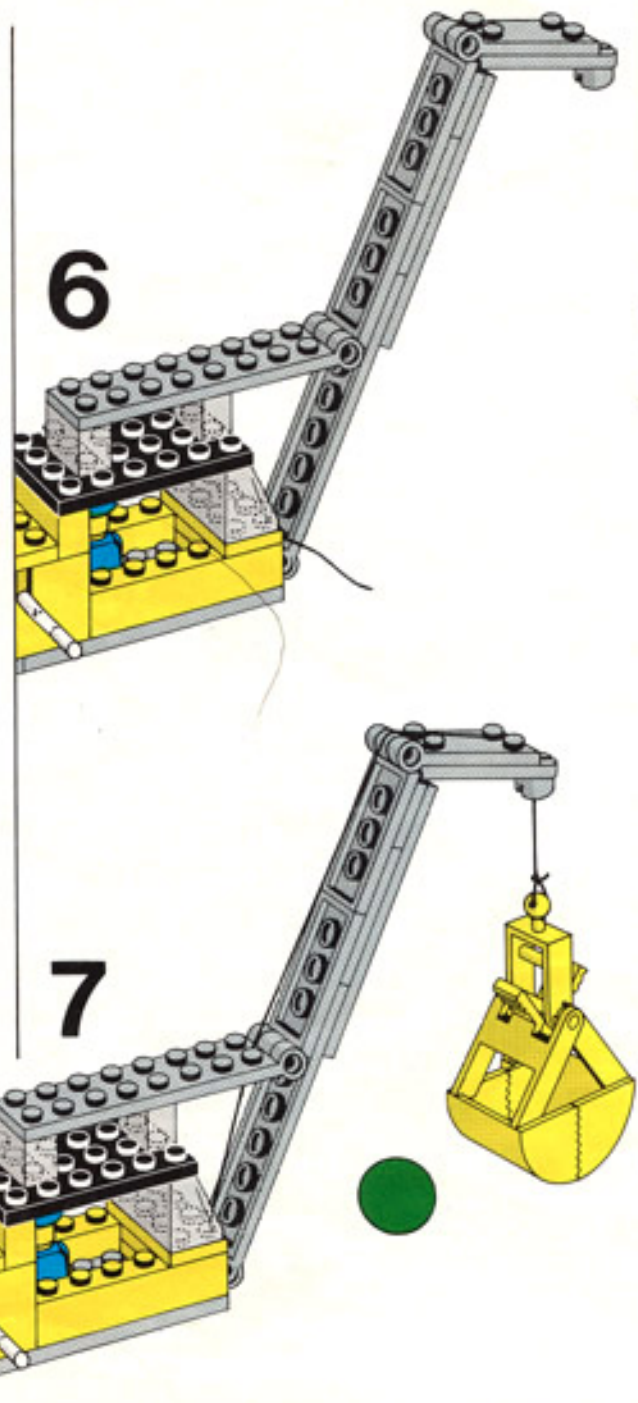
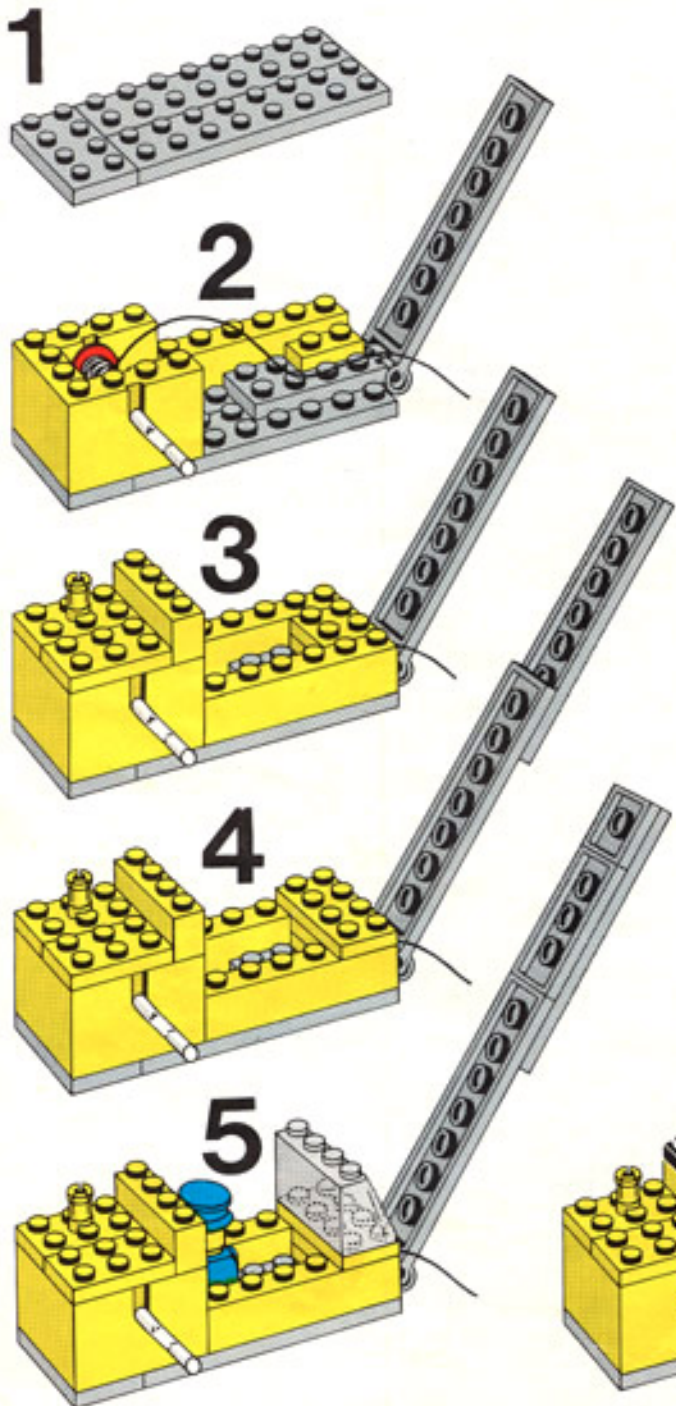
10

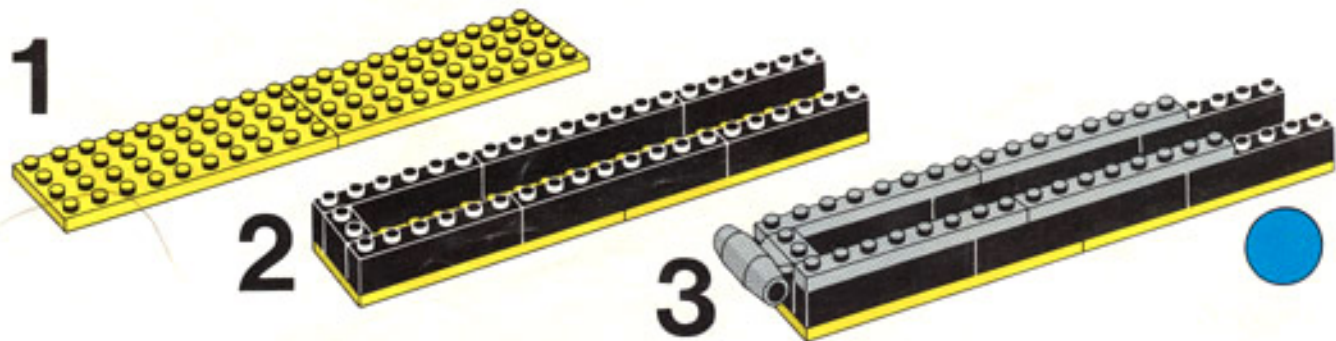
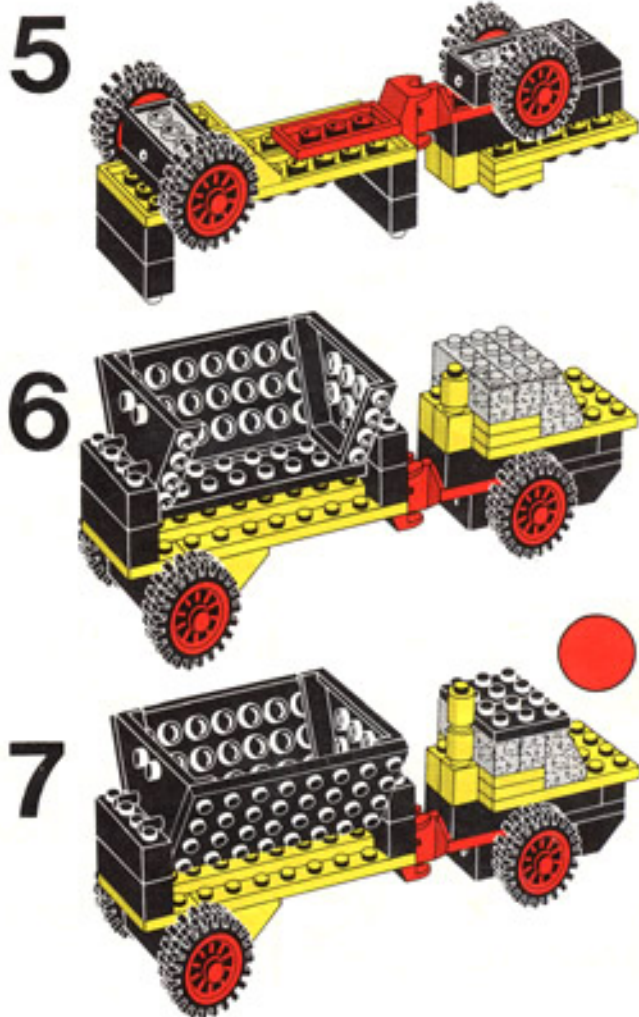
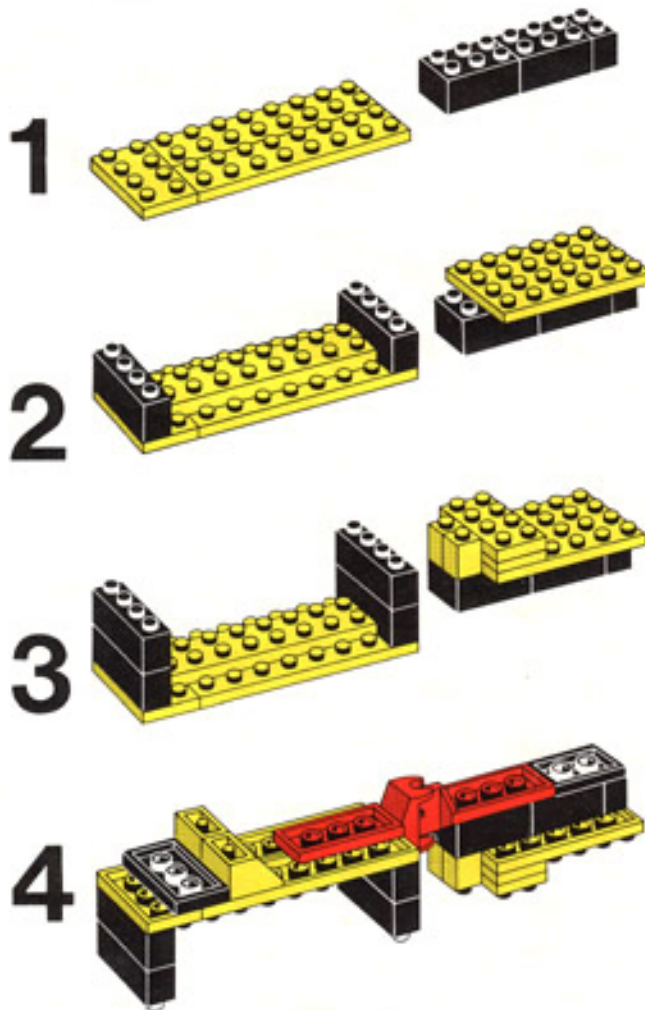


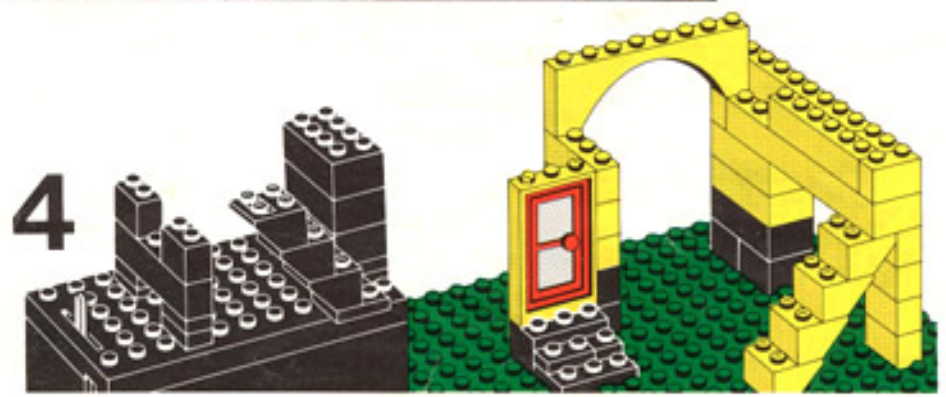
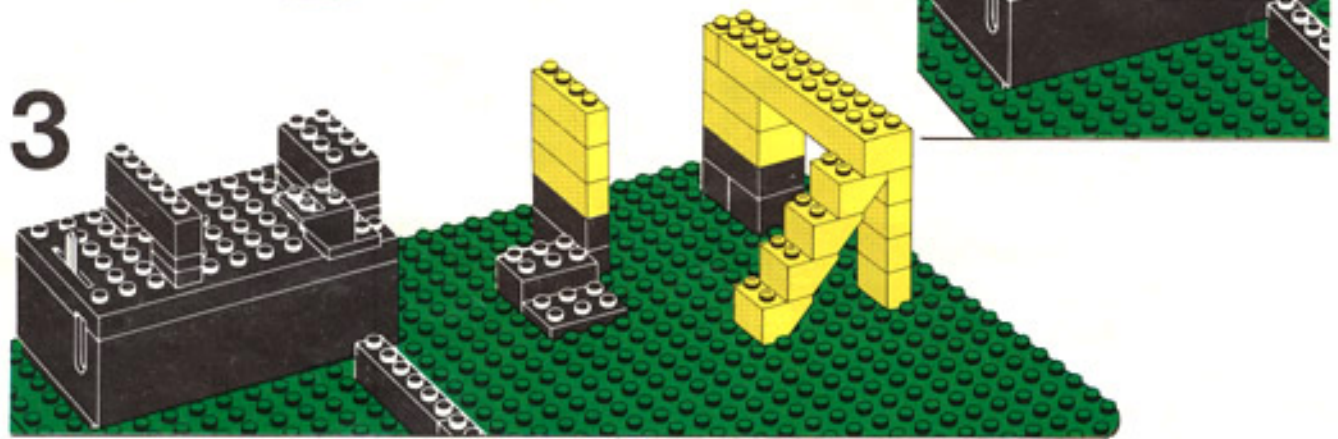
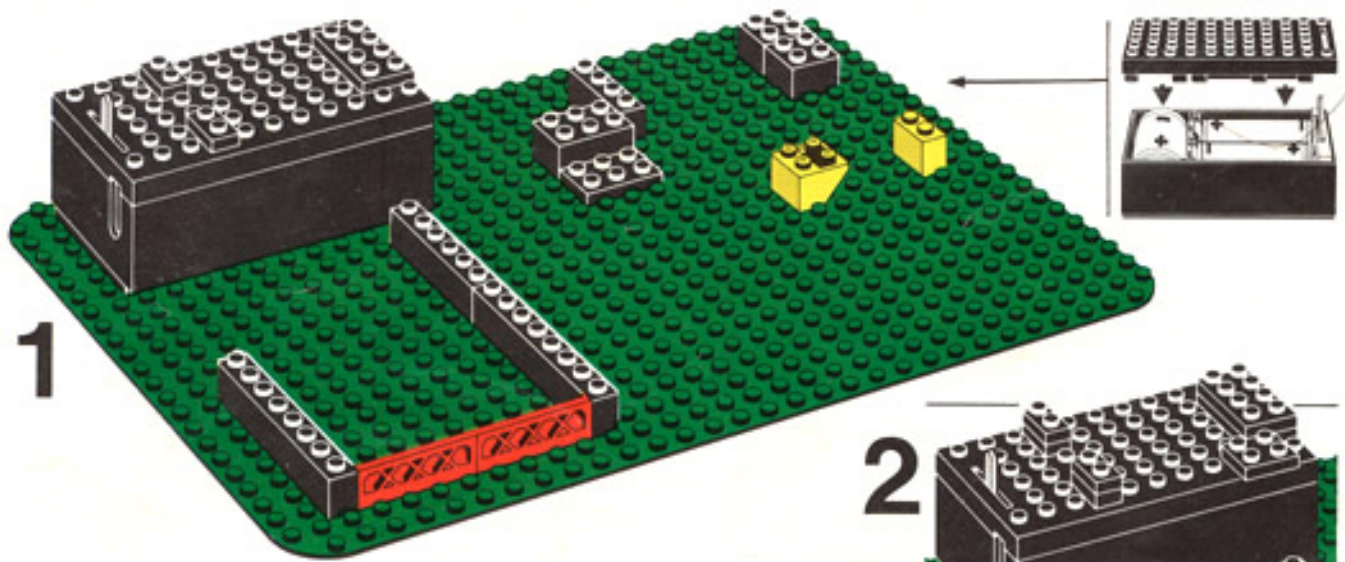
11



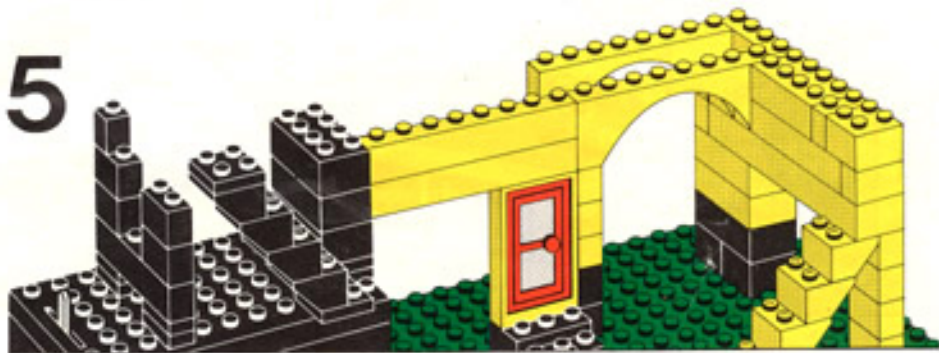




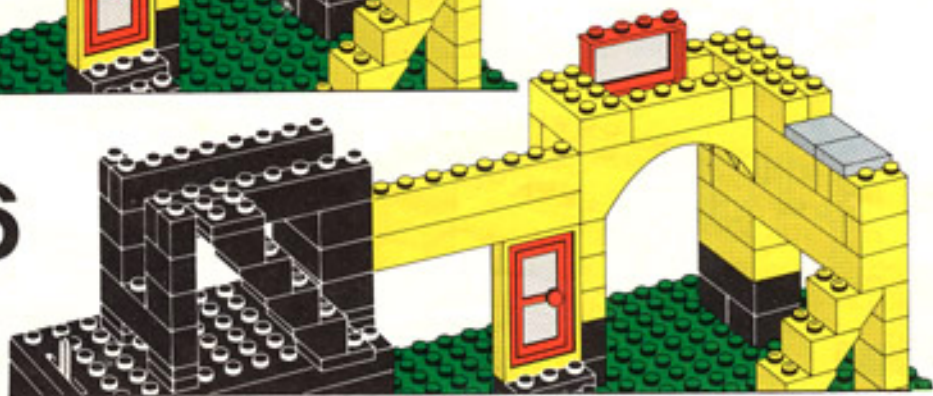




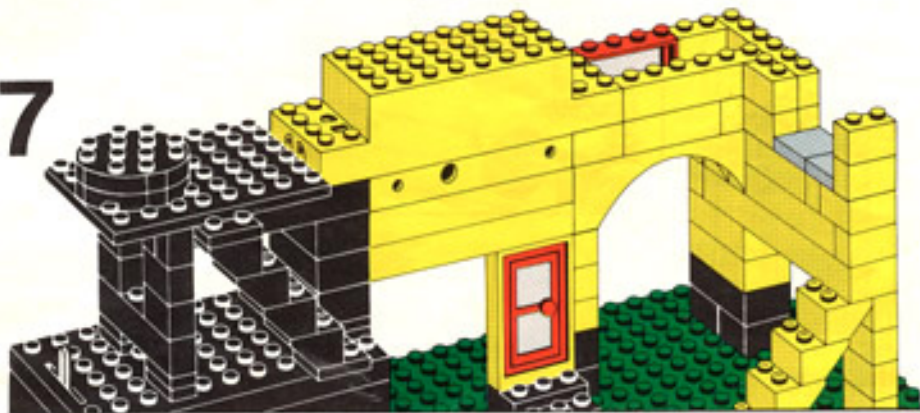
5



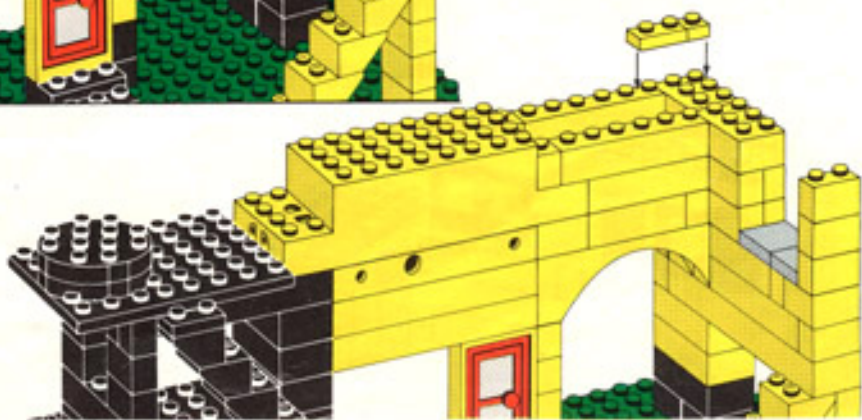
6

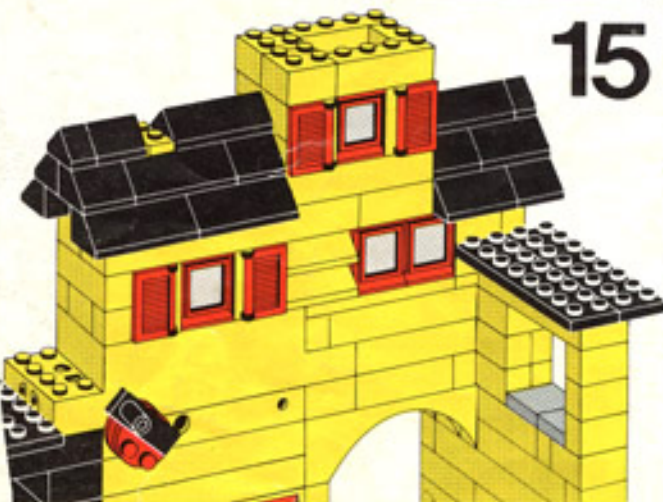
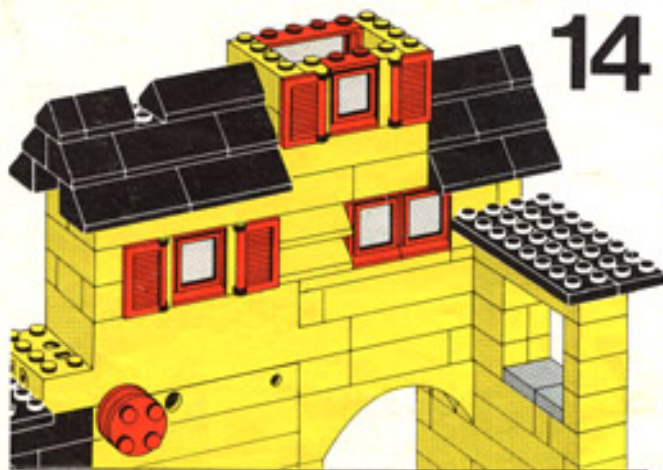
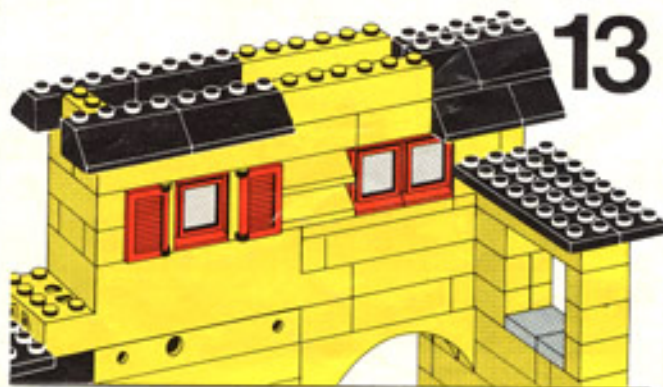
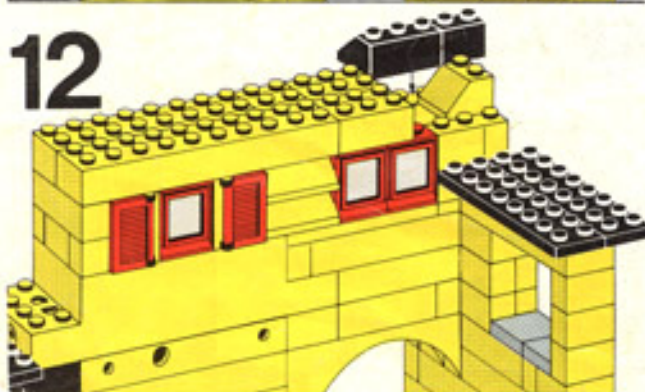
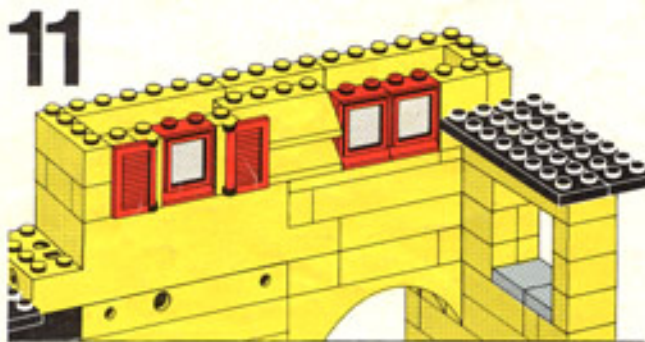
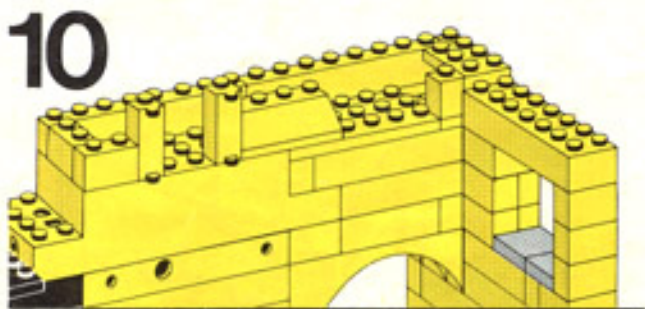
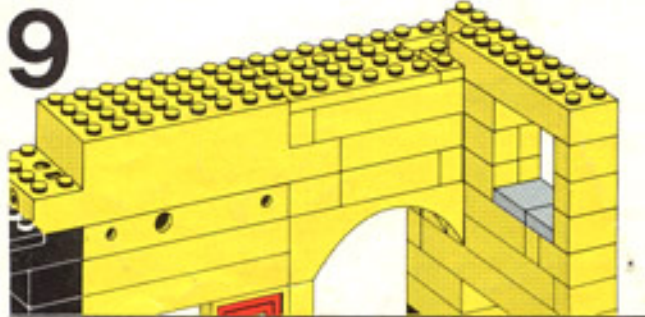


7

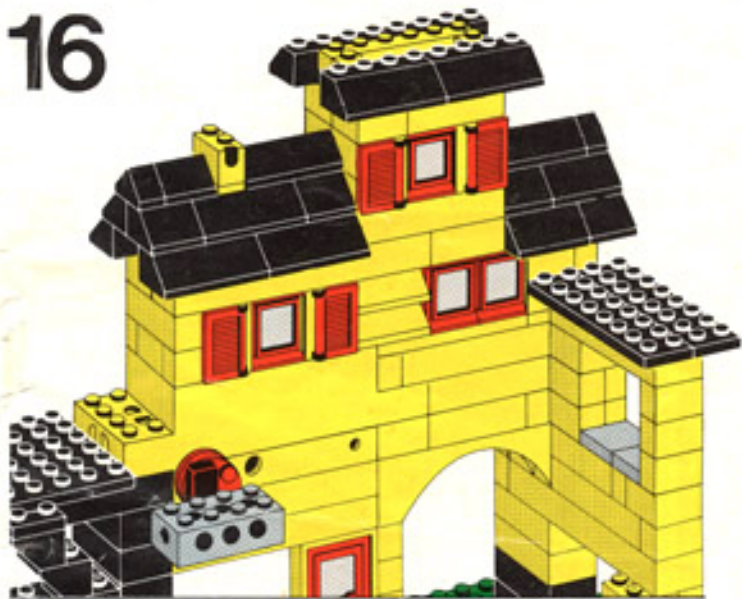


8

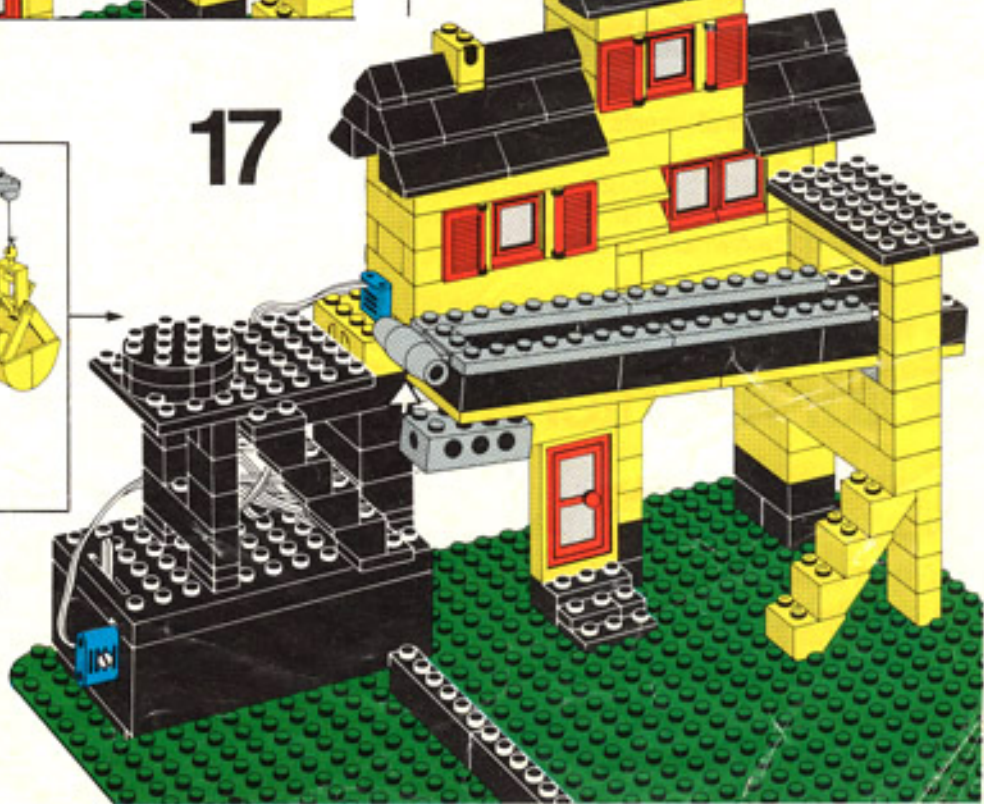
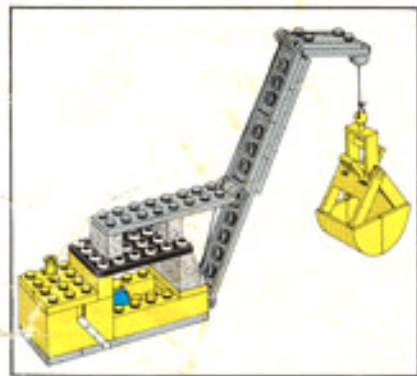




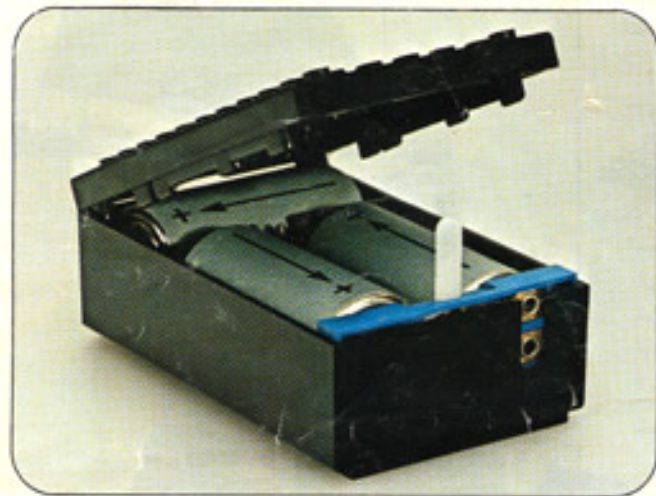
16



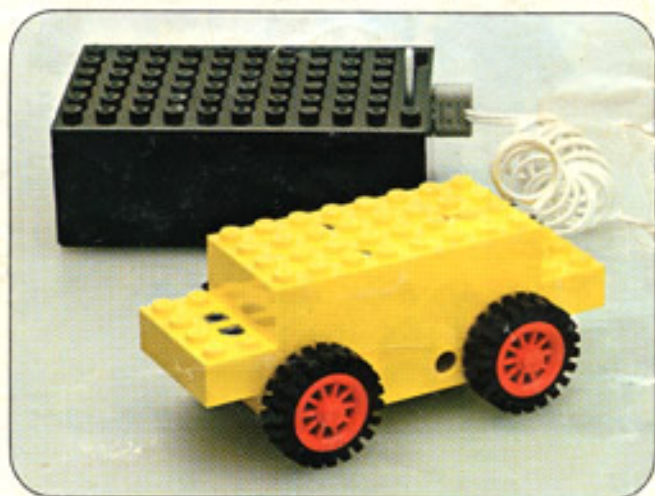
17



Here's how your LEGO® Motor works



- First select the type of wheels you wish to use and attach them to the motor.
- Next open the battery box by loosening the screw in the bottom. Then remove the lid. You will see three arrows. They indicate which way to place the three C-Type batteries.
- Now connect the motor and battery box with the wire cord. There is one plug on the battery box and three



- plugs on the motor. This allows you to attach the wire where it fits best on your model.
- All ready to go! And the control on the top of the battery box determines which way. When it's set in the middle, the motor is turned off. Push it to one side to go forward. Push it the other way to go backwards.

Motor maintenance Tips:

- If your motor doesn't work, check to make sure all connections are tight and that your batteries are correctly placed in the box. If it still does not work, replace the batteries.
- When batteries go dead, always remove them, or they may leak acid and destroy the battery box.
- Never push your motor or allow it to come into contact with water. Both can damage it.
- There is no need to oil the motor and gear-box. LEGO has already taken care of that for you.