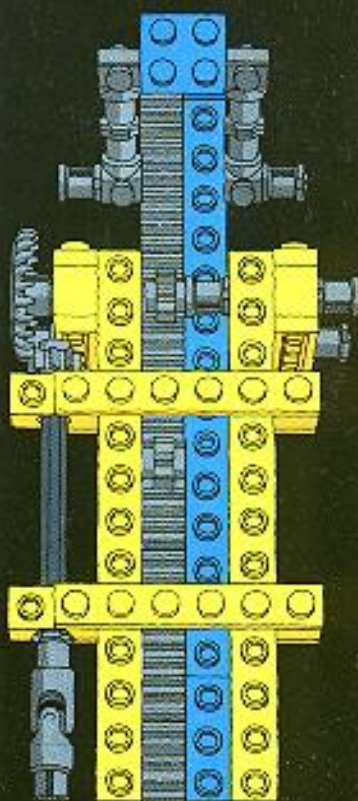
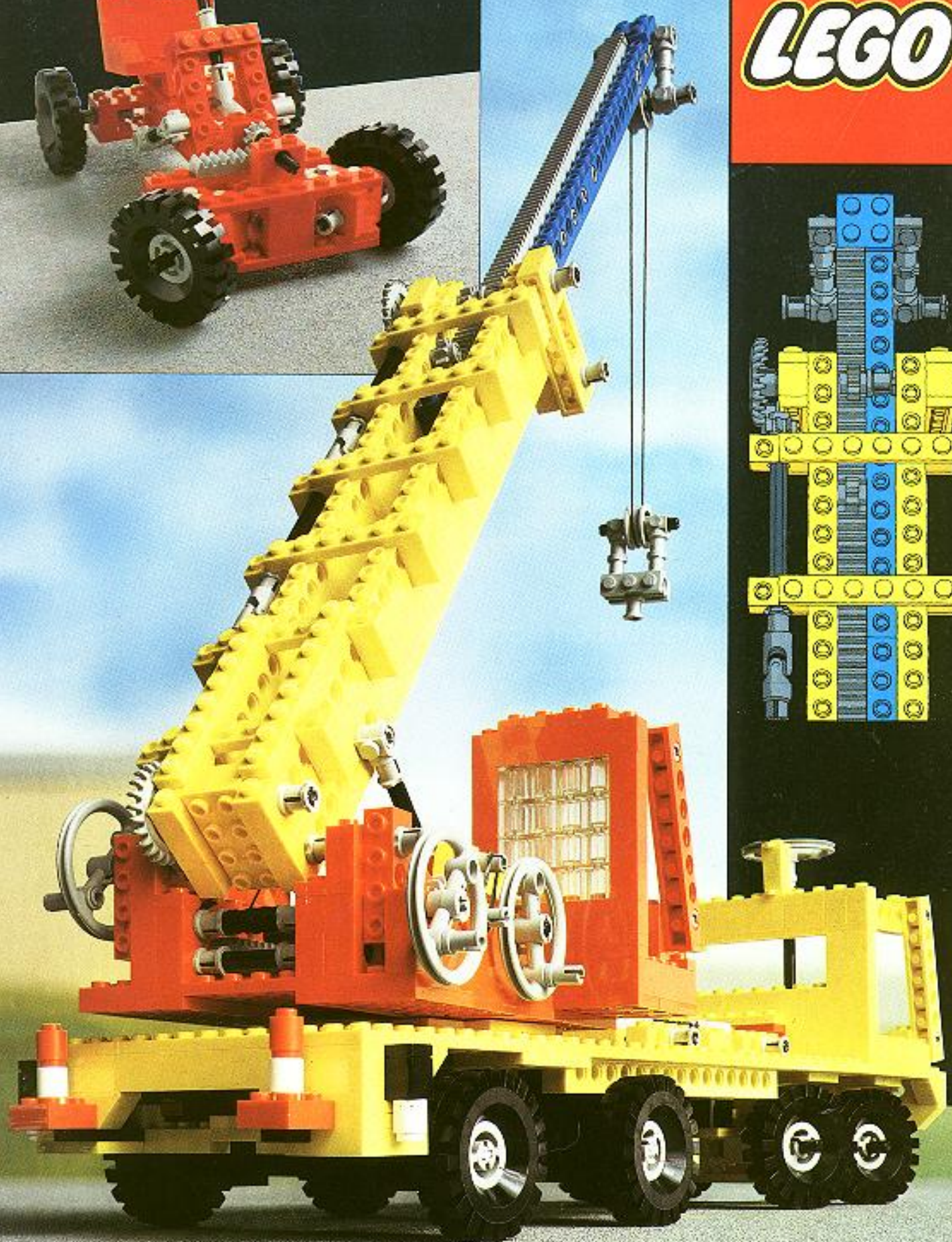
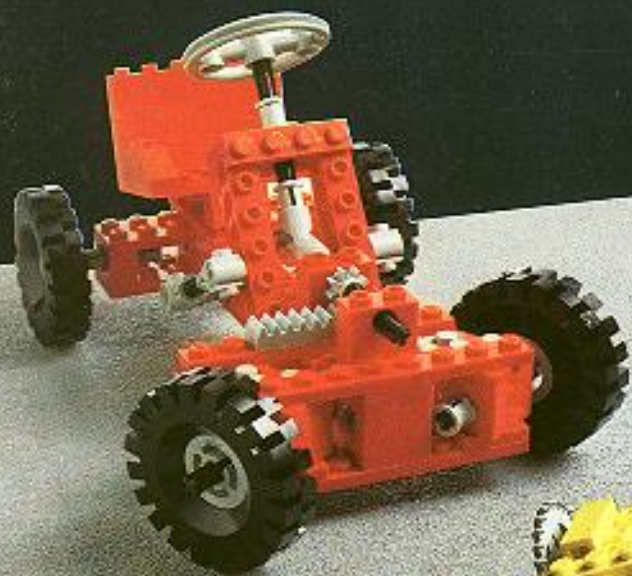


LEGO[®]



Congratulations, Expert!

Welcome to the new LEGO® Expert Builder Series.

Remember when you first started building with LEGO Brand Building Bricks? You learned how to build backwards and forwards, to build bigger and more complicated constructions, using your own rich imagination to create new designs. Now you've graduated, and we want to reward your interest and hours of hard work with a new series of building sets so detailed, so fascinating, so challenging - only a LEGO expert like you is ready to tackle them.

To prove that this new LEGO product isn't kidstuff - take a look at what's available in this set as well as the other sets in the series. Realistic elements such as pistons, gear wheels, universal joints and more will allow you to create exciting models that closely resemble the real world. With Expert Builder Sets, you can discover for yourself the operating principles of such things as car engines, steering mechanisms and helicopters. You'll find the building challenging but satisfying too!

The Expert Builder Instruction Book.

The instructions in this book will allow you to build the main model featured as well as other Expert Builder alternatives.

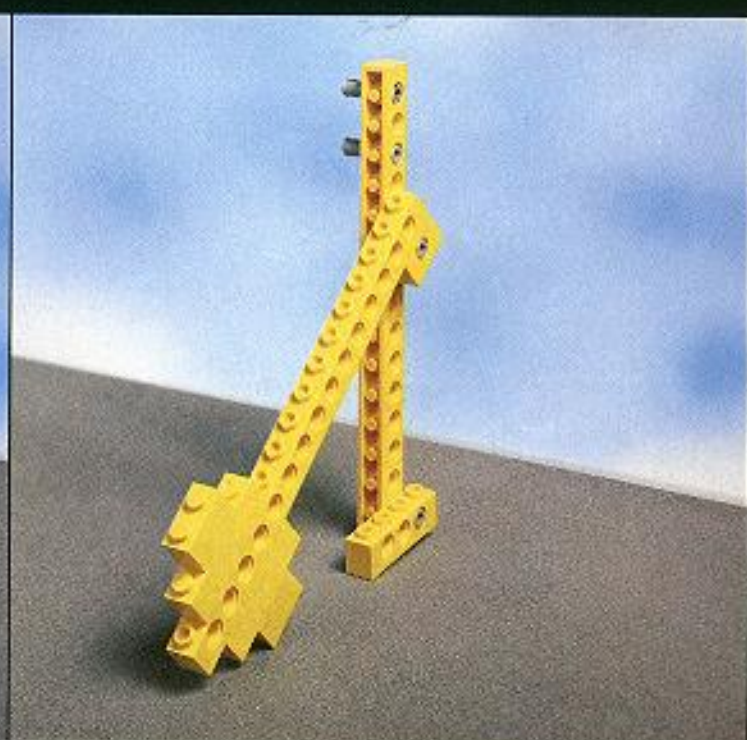
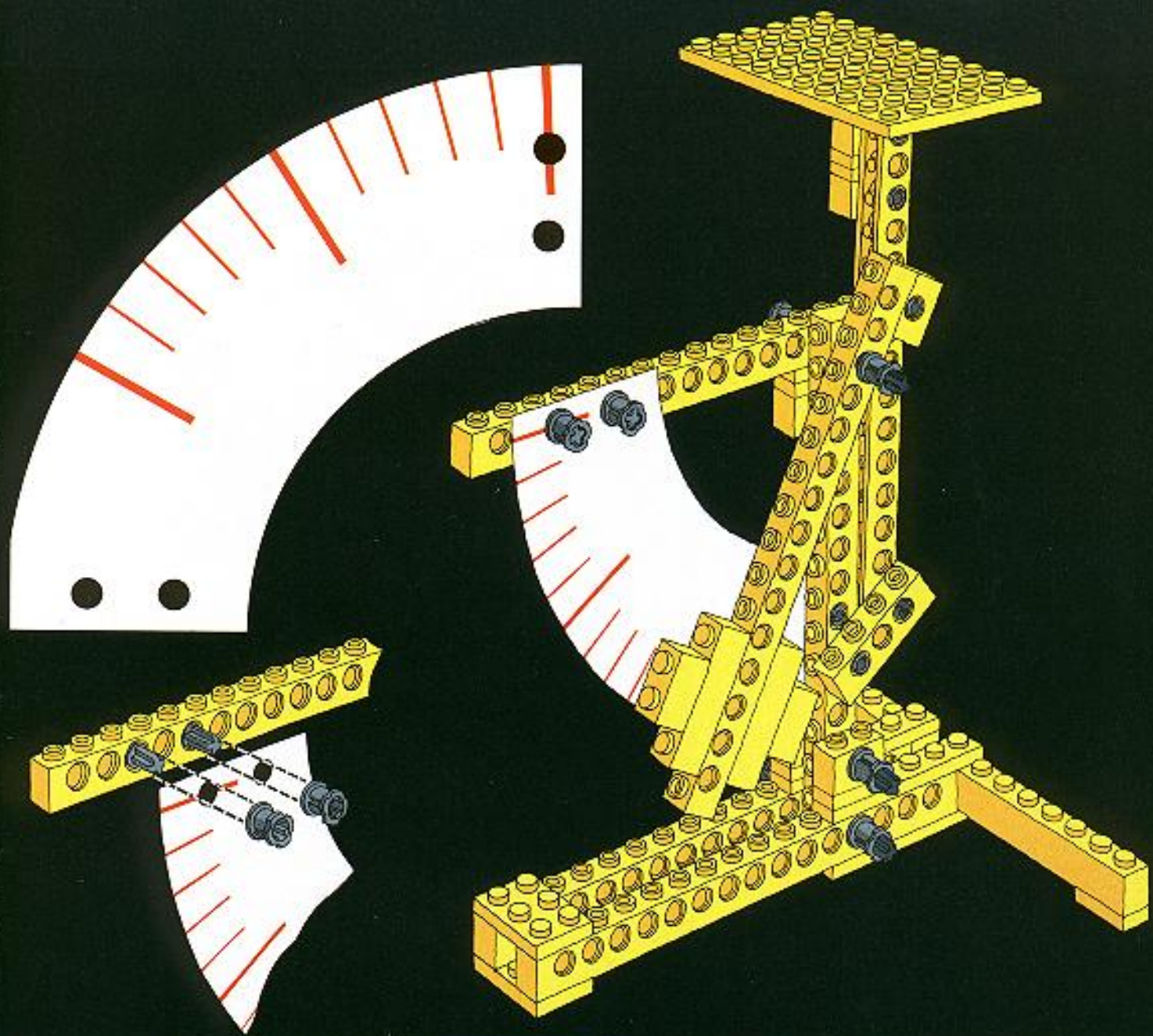
The first portion of this book shows how the special pieces contained in this set and other Expert Builder Sets work together to demonstrate basic principles such as gear ratios and steering mechanisms.

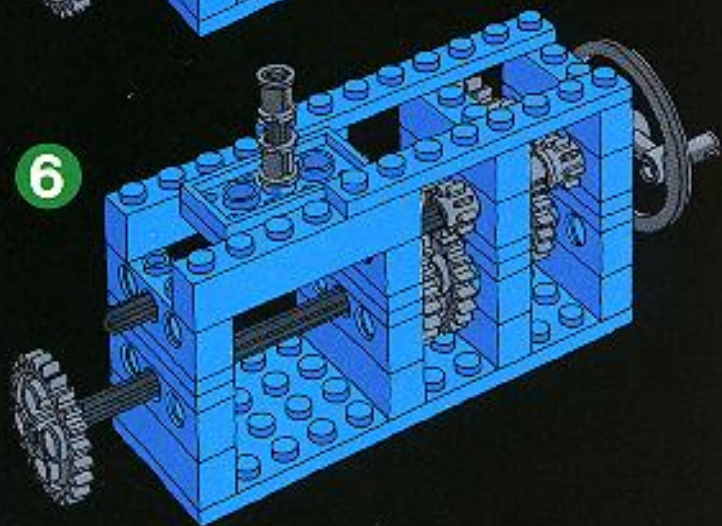
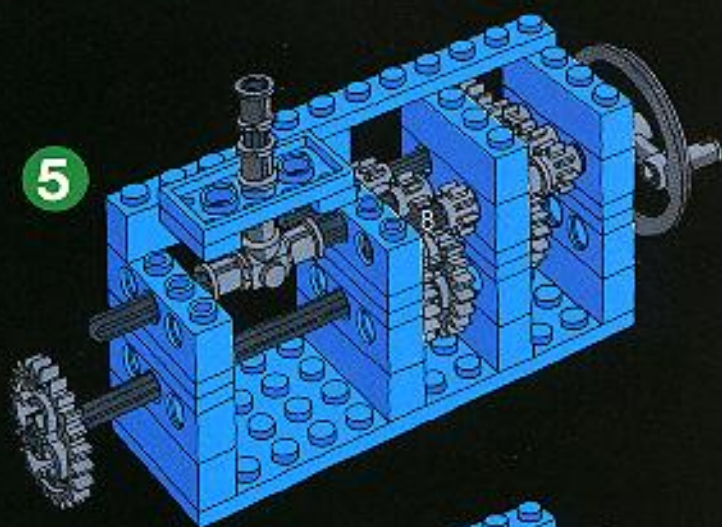
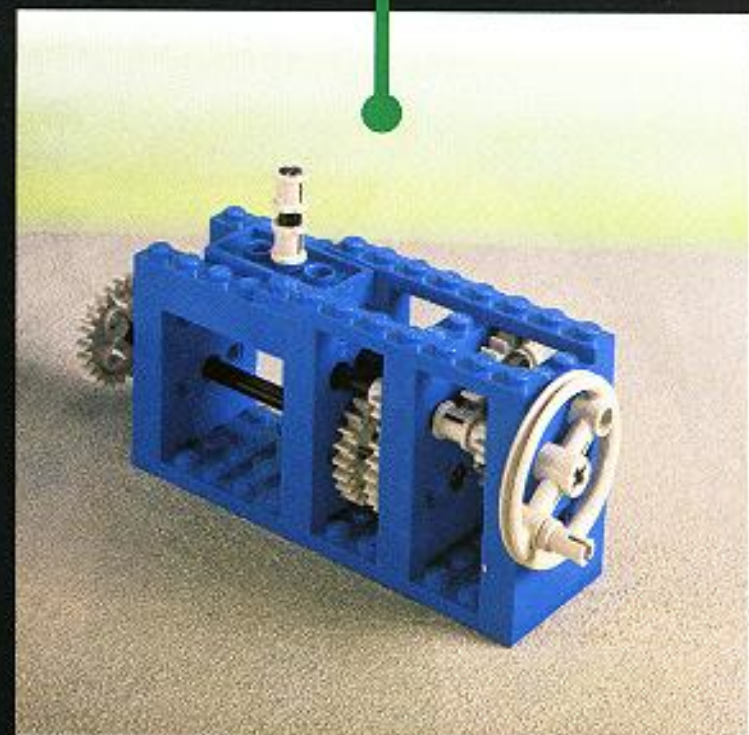
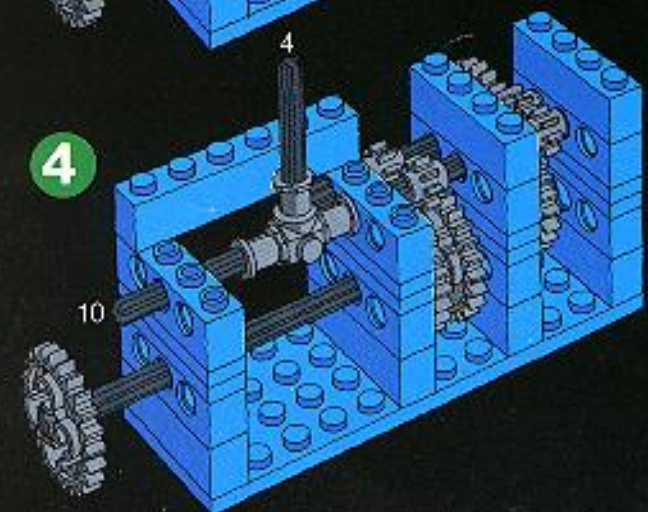
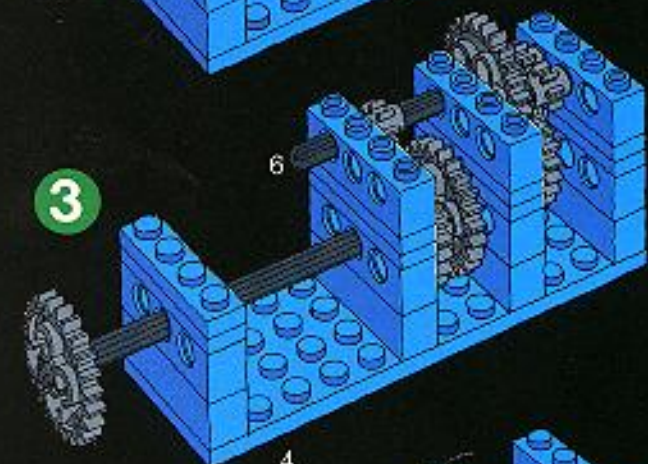
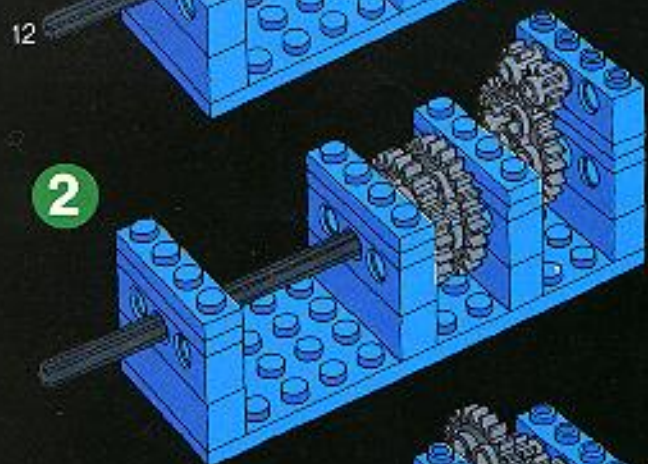
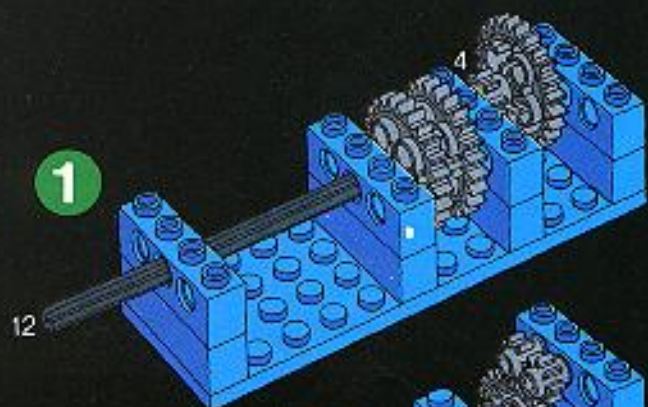
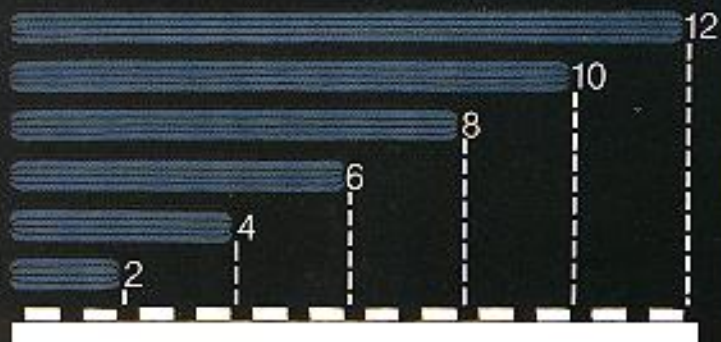
The middle portion provides you with detailed instructions for the main and alternative models. This is followed by illustrations and photographs of other models which can be built using a combination of elements from this and other Expert Builder Sets. Now that you're ready for the challenge of the Expert Builder Series, we hope that you find it satisfying - but fun too!

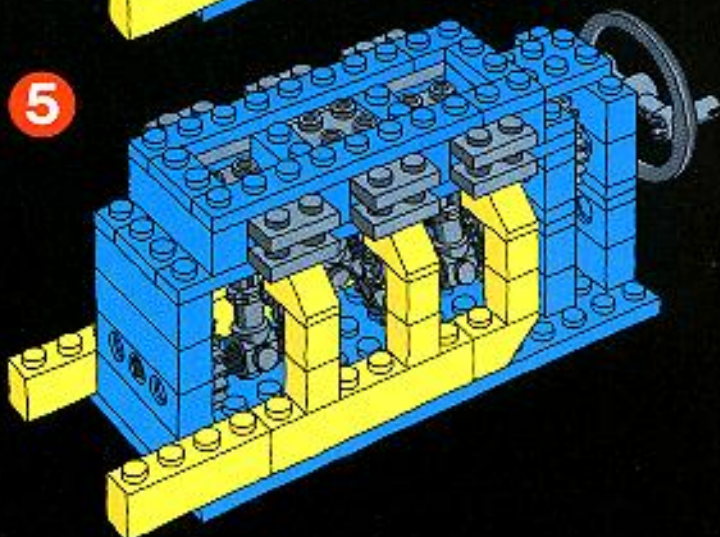
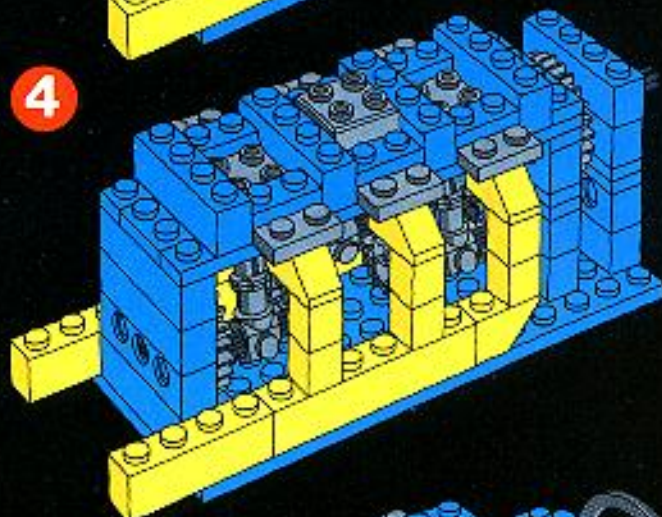
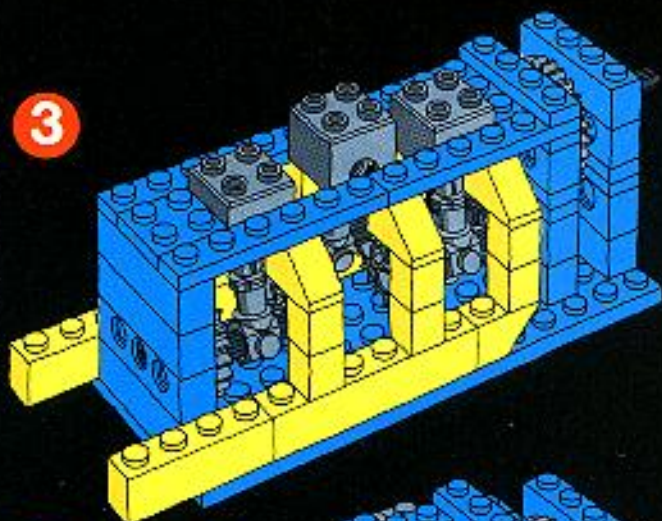
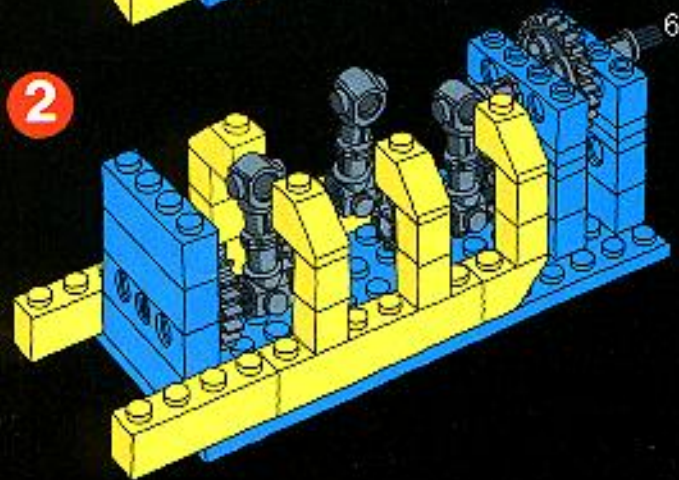
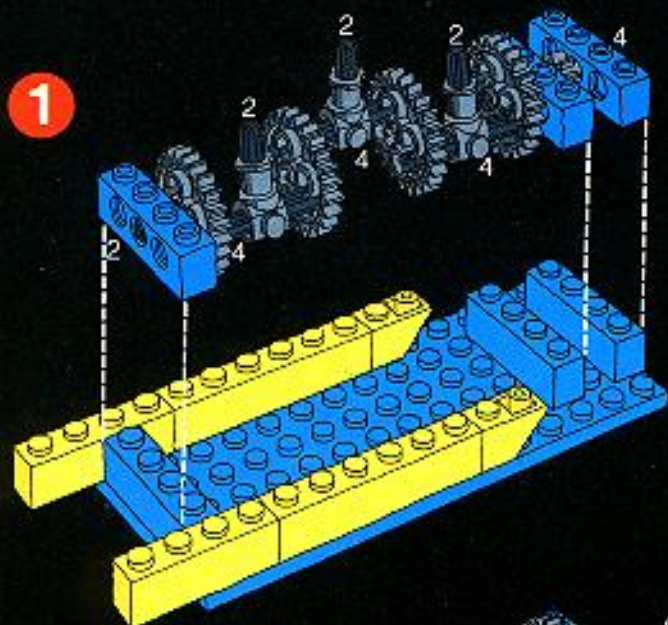
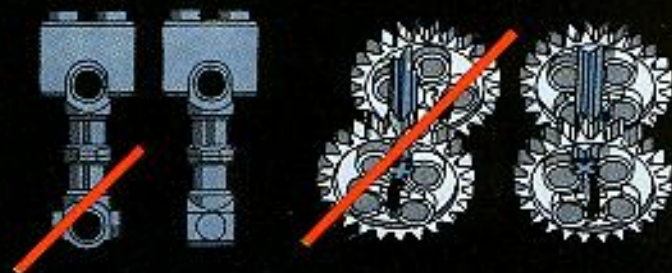
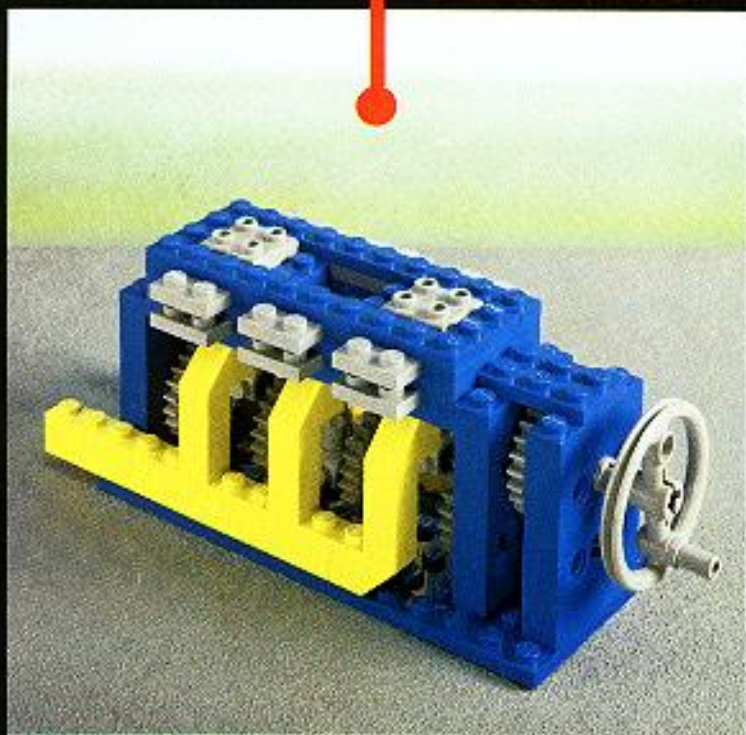
Building Hints.

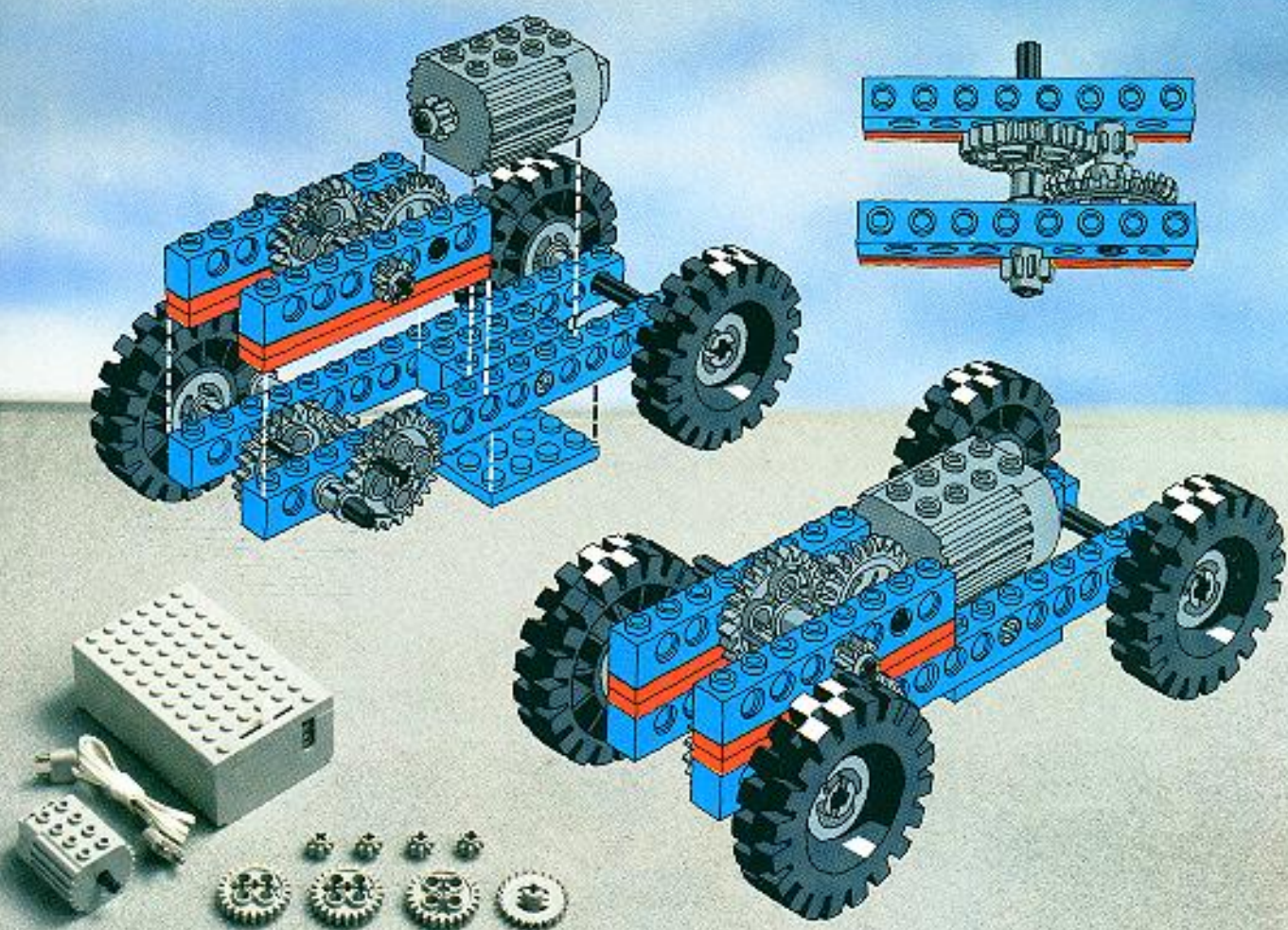
The following building hints will help you to realize the fun and satisfaction of this Expert Builder Set:

1. The instructions for building your Expert model are divided into individual construction phases. Each phase is numbered starting with number one.
2. The quantities and types of building pieces to be added are shown at each phase of construction. Select and count each of these pieces before you start building the next phase.
3. Take your time. The fun of building this model for the first time will then last even longer!





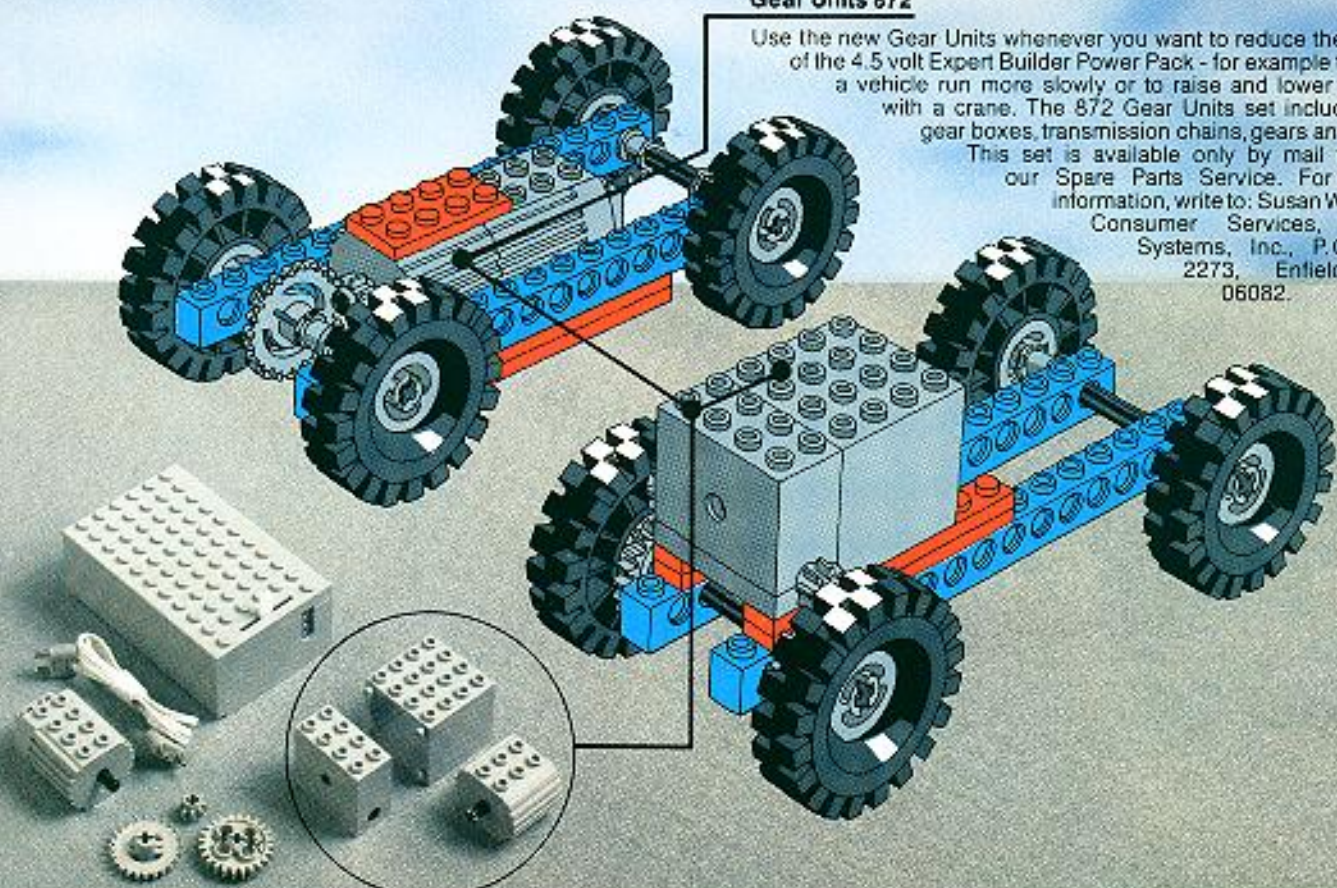


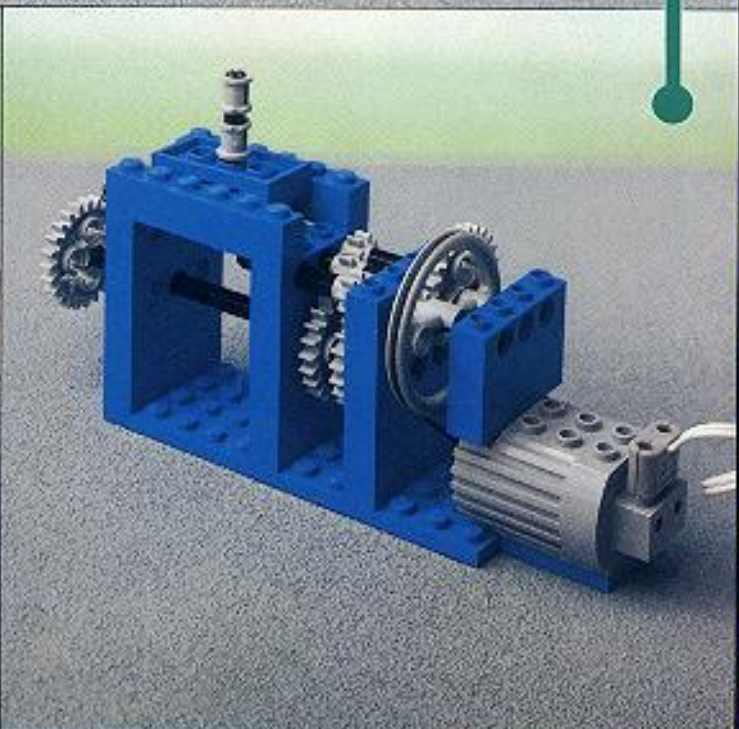
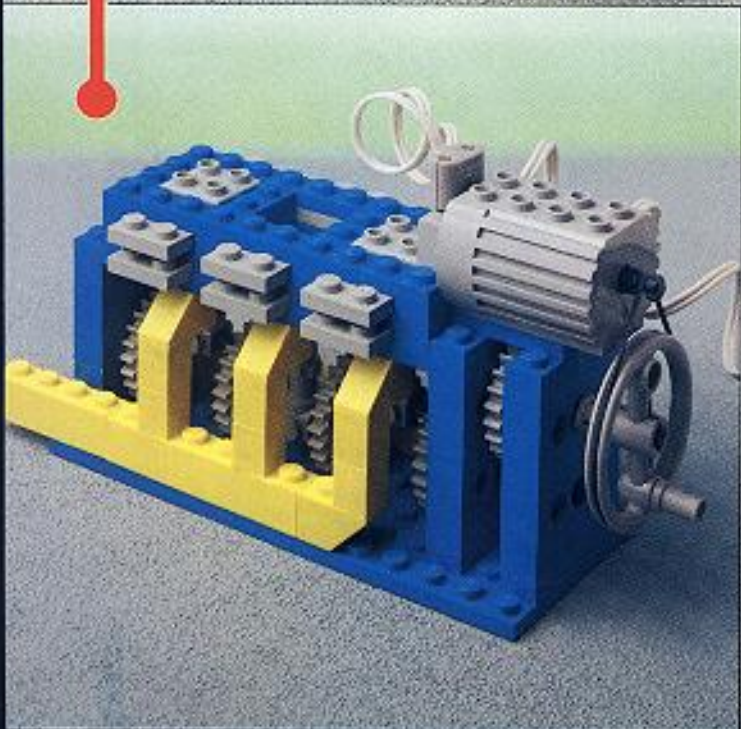
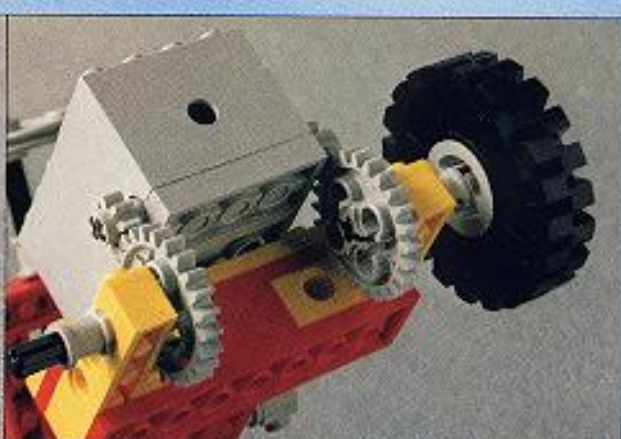


Gear Units 872

Use the new Gear Units whenever you want to reduce the speed of the 4.5 volt Expert Builder Power Pack - for example to make a vehicle run more slowly or to raise and lower objects with a crane. The 872 Gear Units set includes two gear boxes, transmission chains, gears and axles.

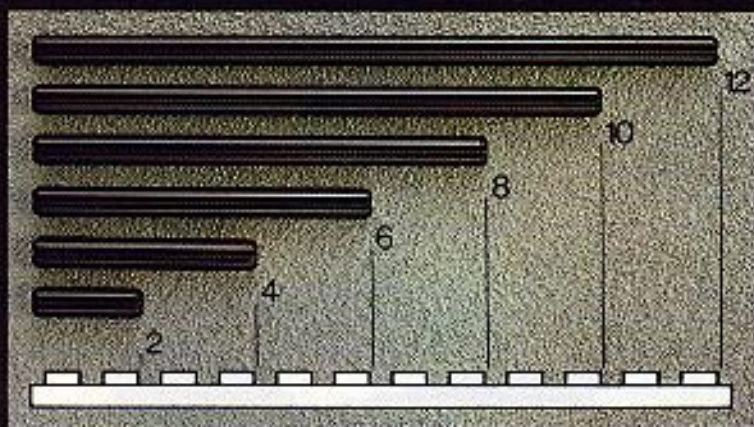
This set is available only by mail through our Spare Parts Service. For further information, write to: Susan Williams, Consumer Services, LEGO Systems, Inc., P.O. Box 2273, Enfield, CT 06082.







857 8857



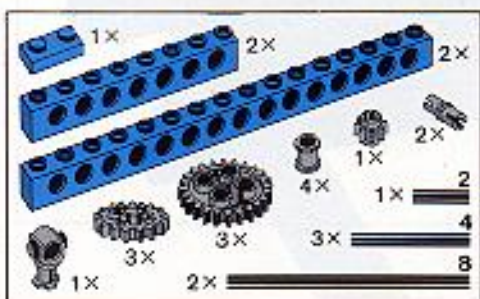
In der Bauanleitung steht vor den Achsen eine Zahl, die die benötigte Länge der Achsen anzeigt.

Numbers in the building instructions near axles show the length of axle to be used.

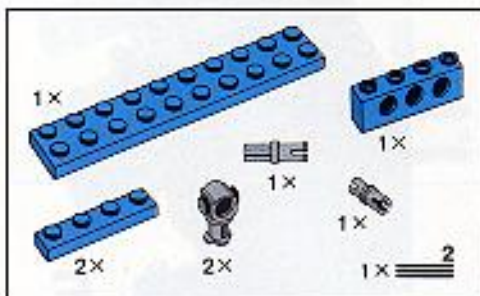
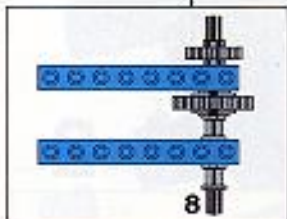
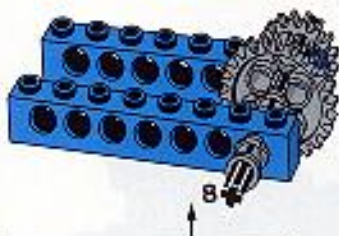
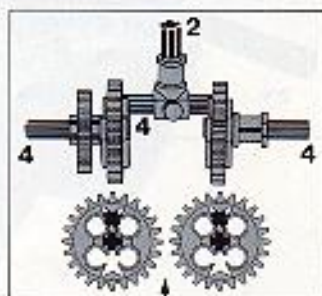
Dans les conseils de construction, il y a un chiffre à côté de chaque axe. Ce chiffre indique la longueur des axes à utiliser.

Ut for akslerne i byggeanvisningen er anført et tal som viser hvilken aksellengde som skal brukes.

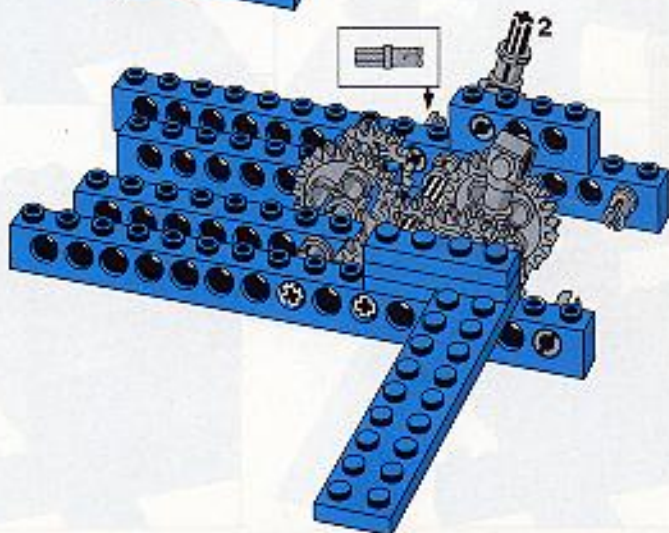
120188



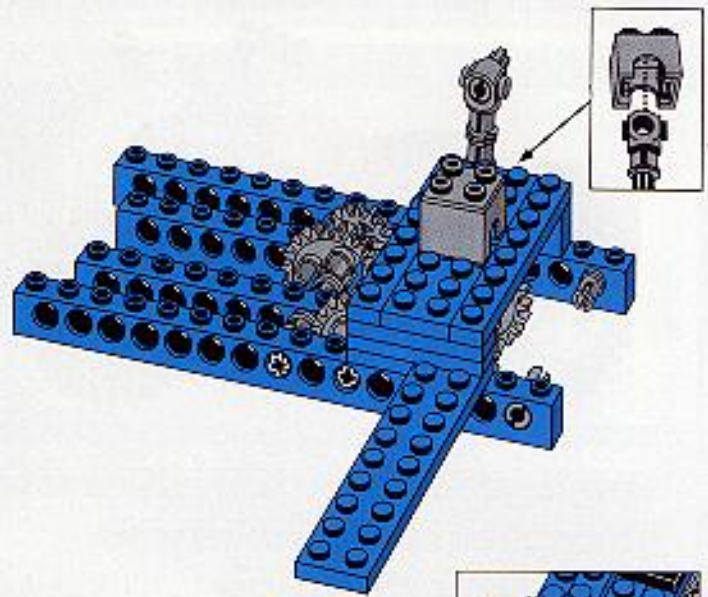
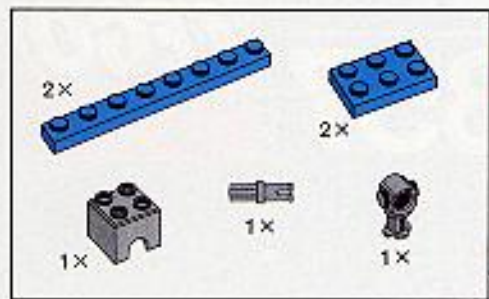
1



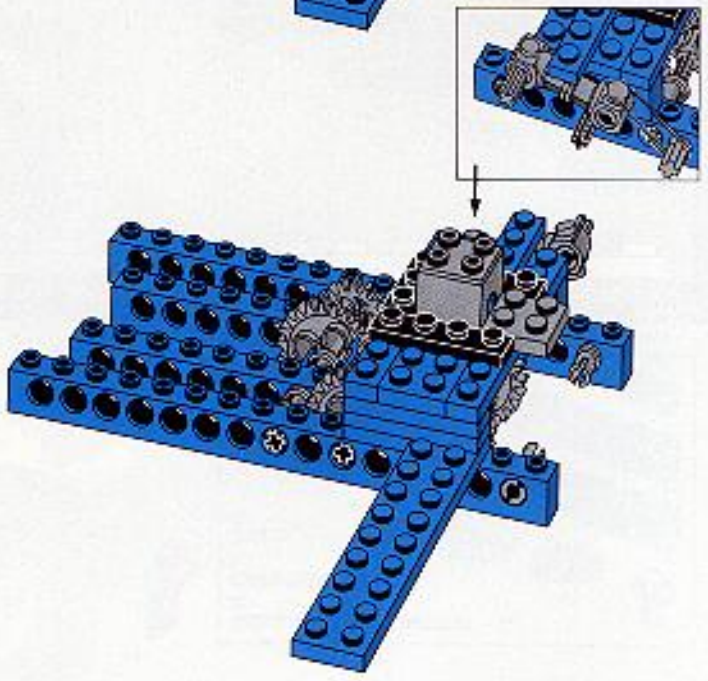
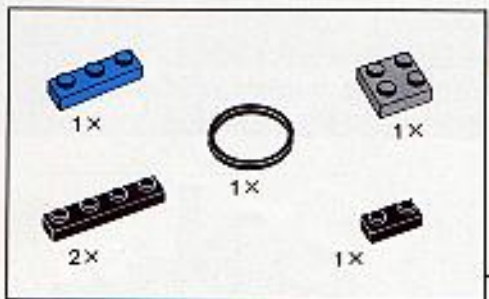
2



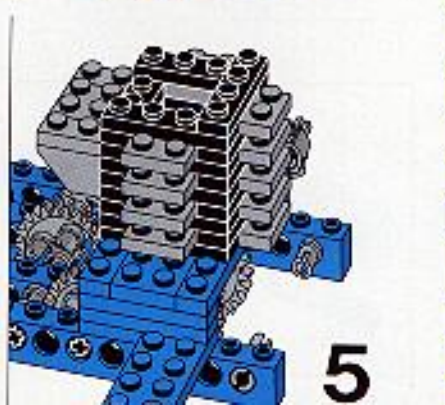
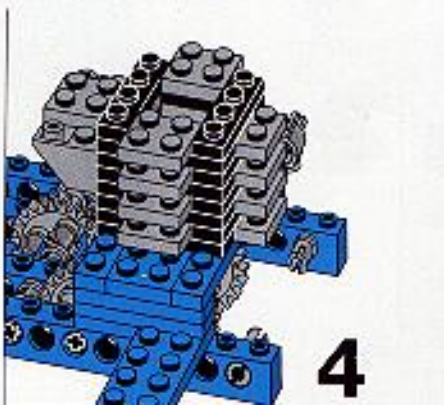
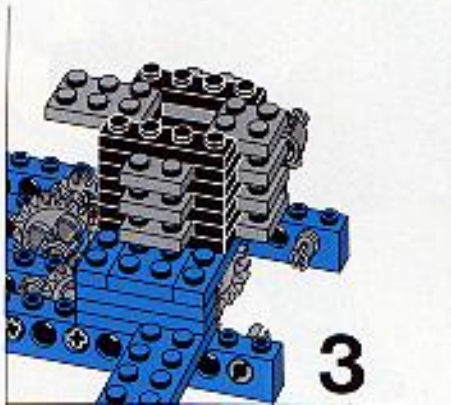
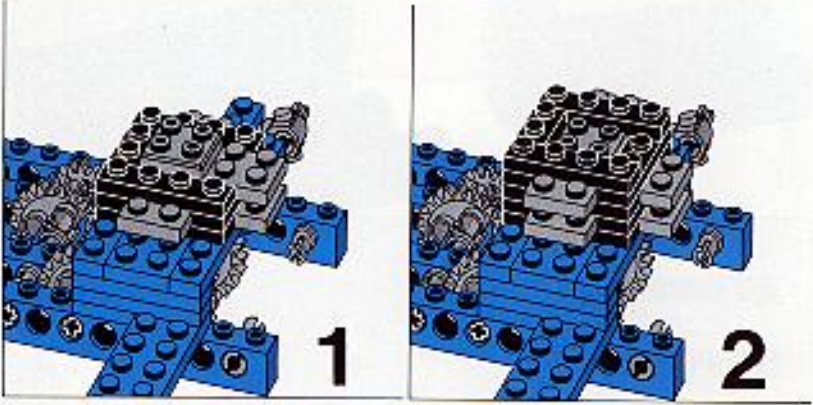
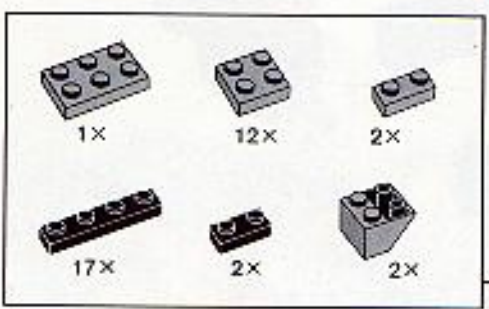
3

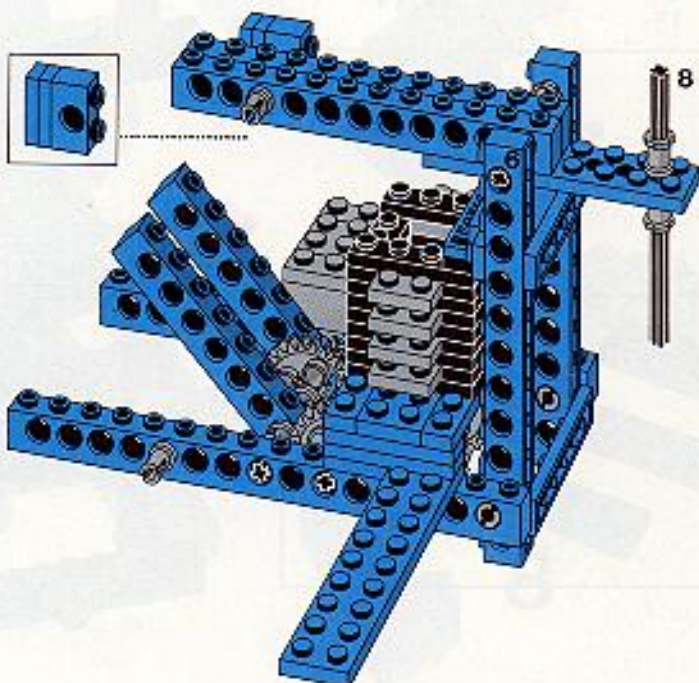
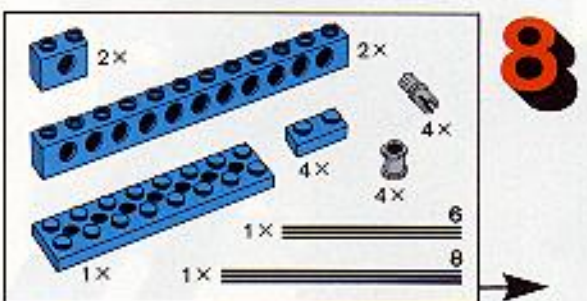
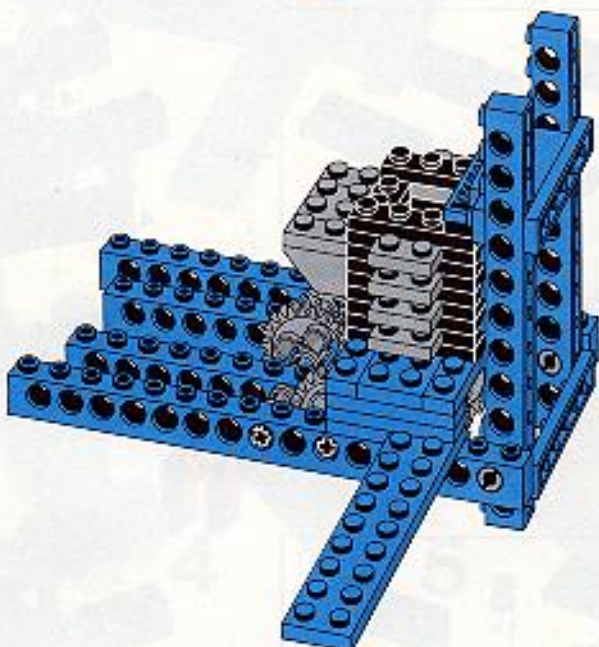
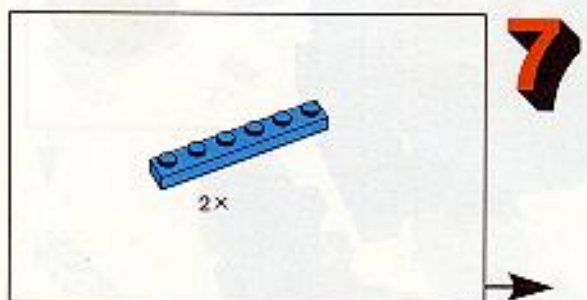
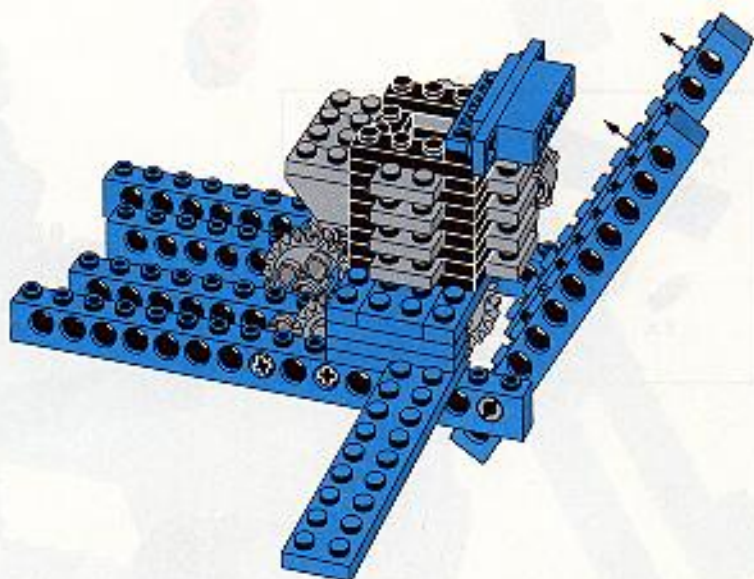
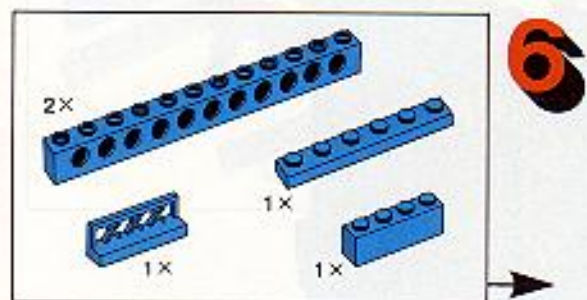


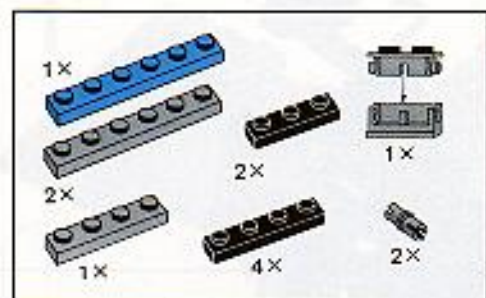
4



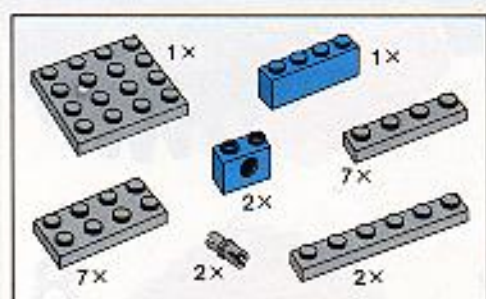
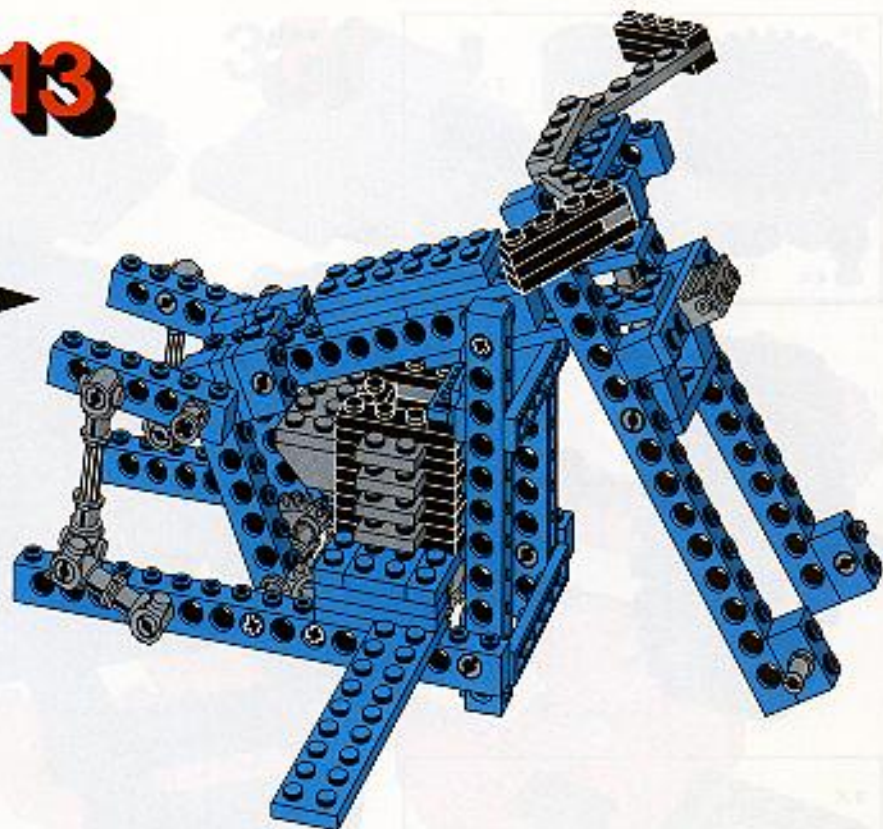
5



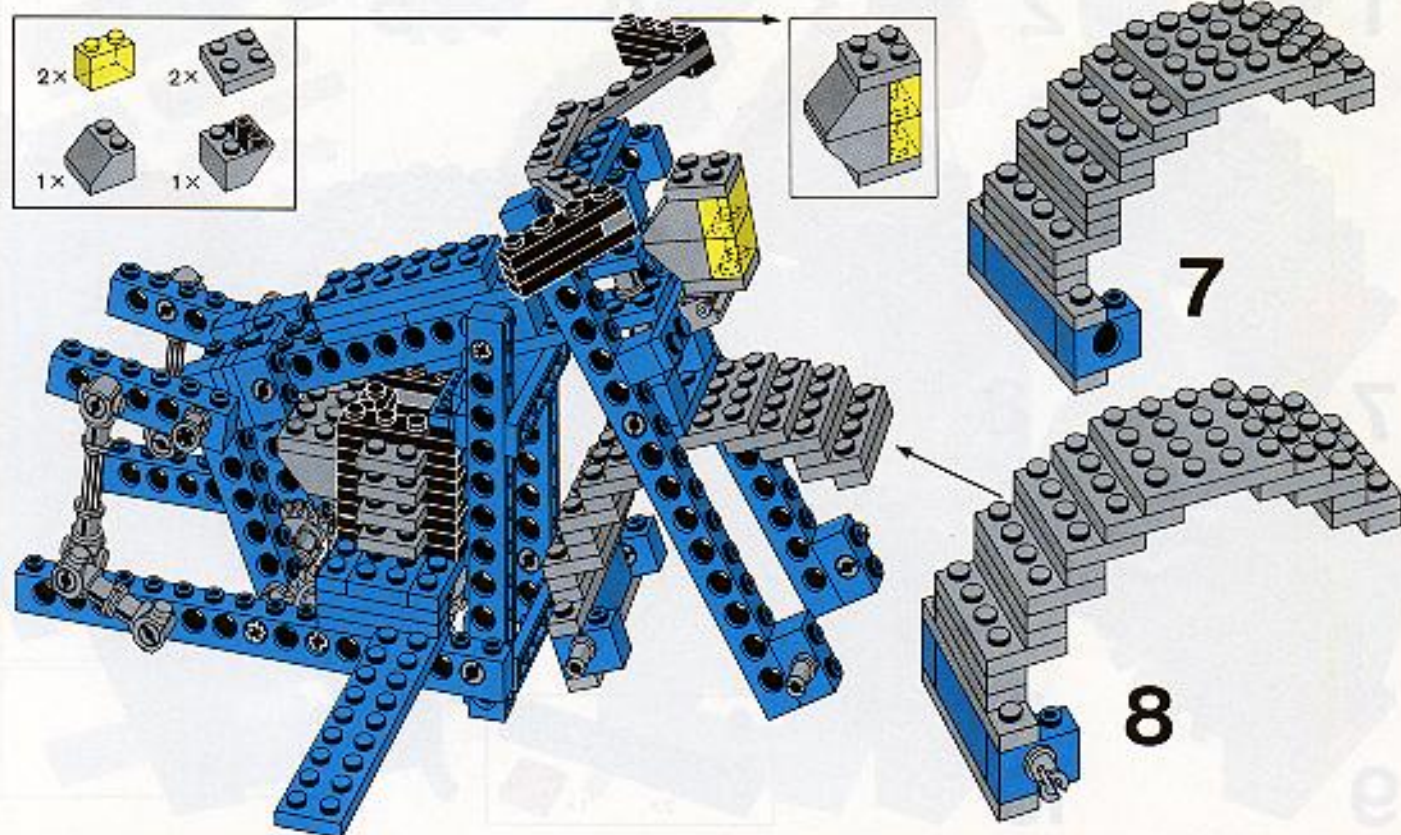
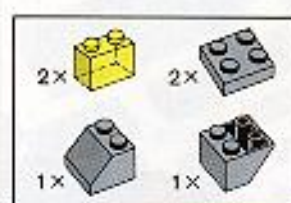
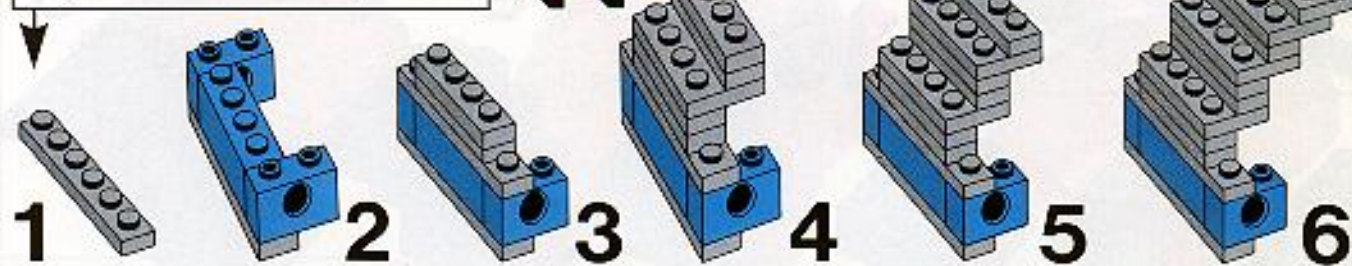


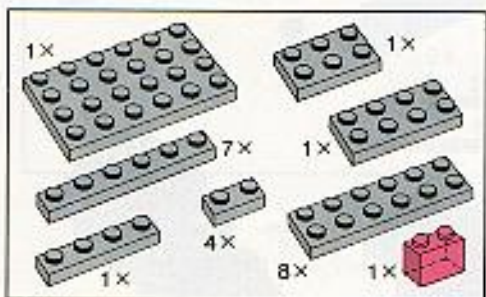
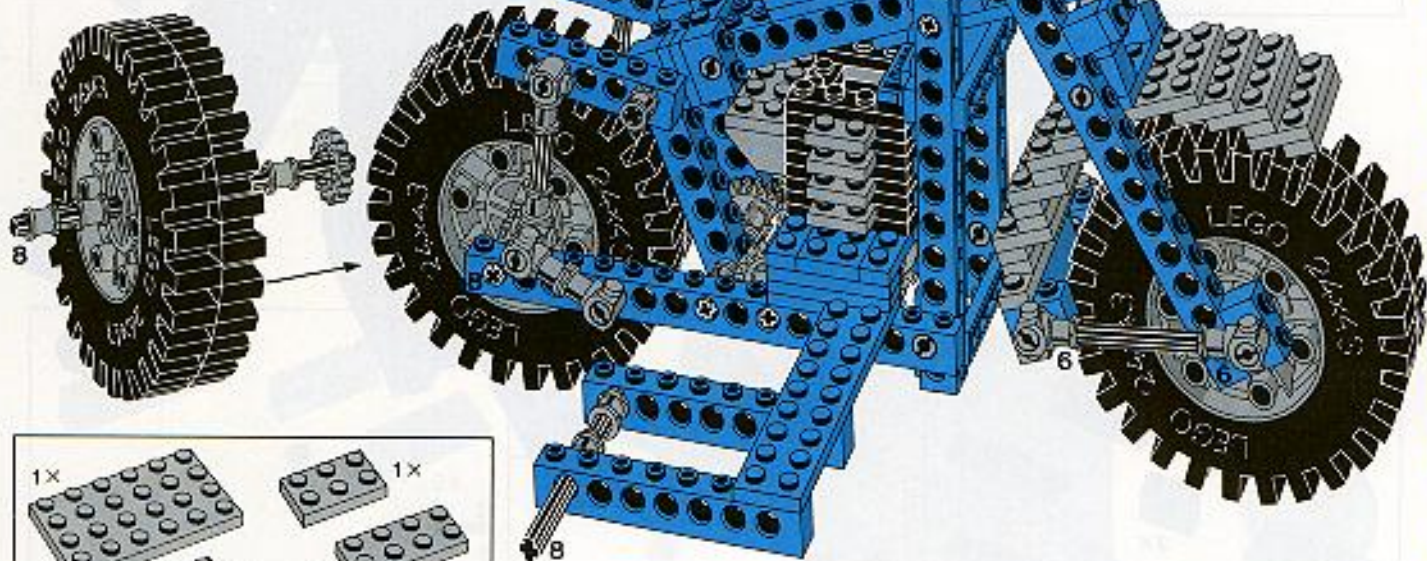
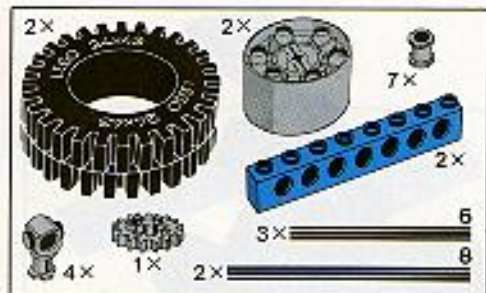
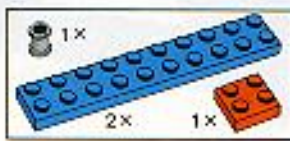
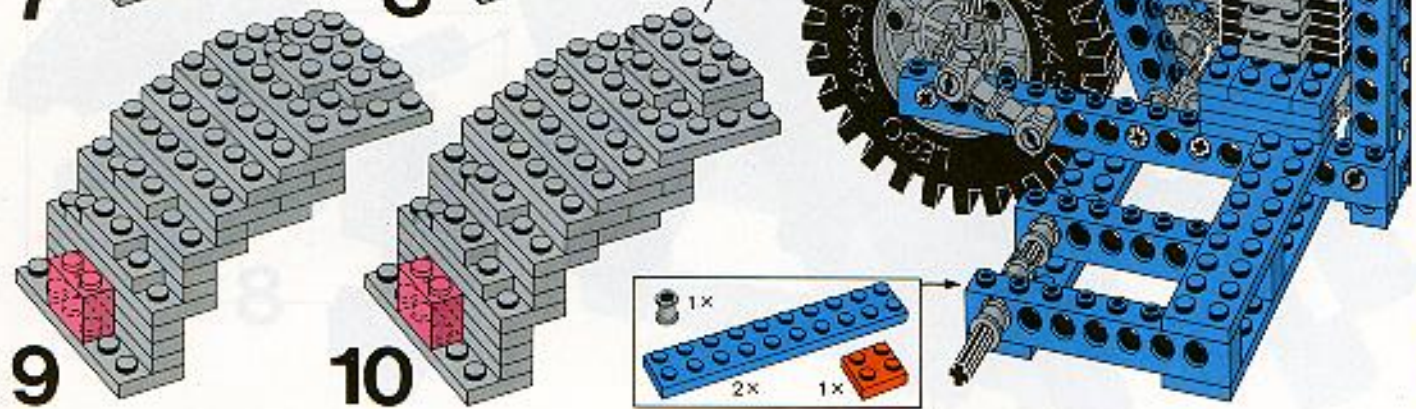
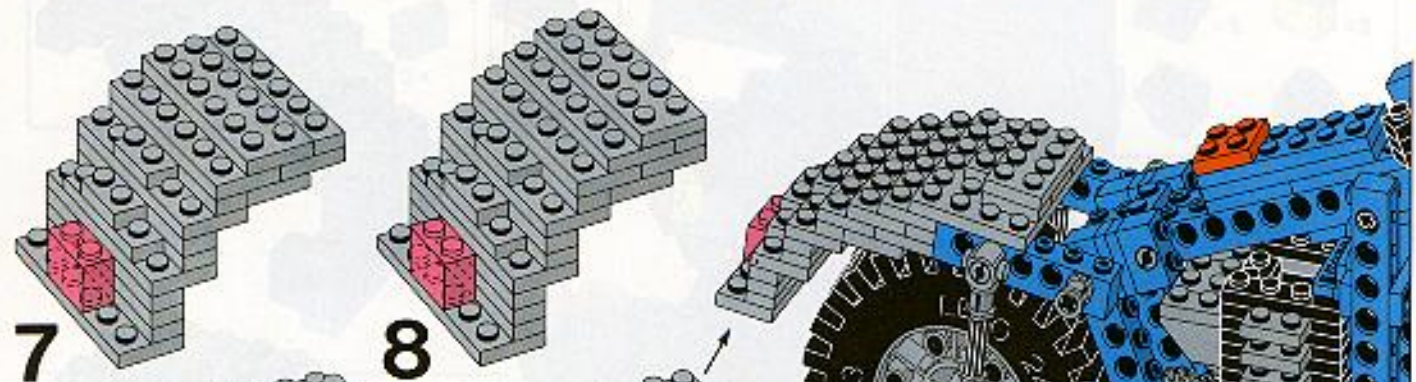
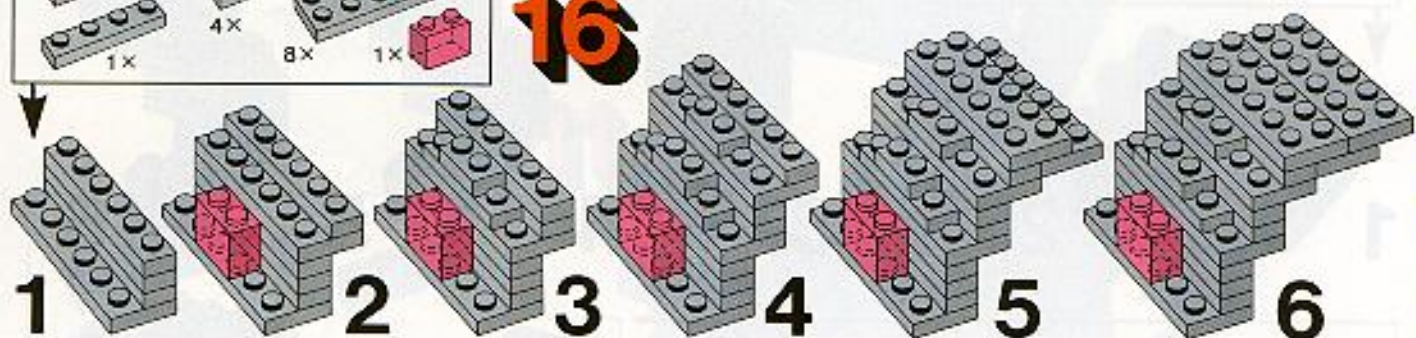


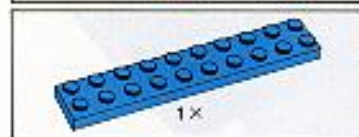
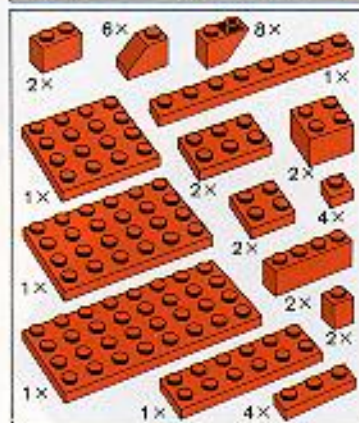
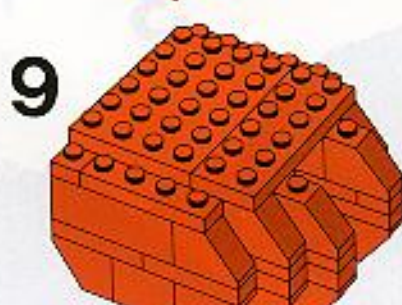
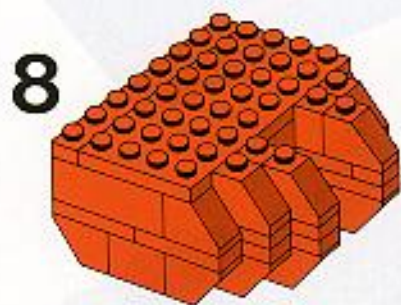
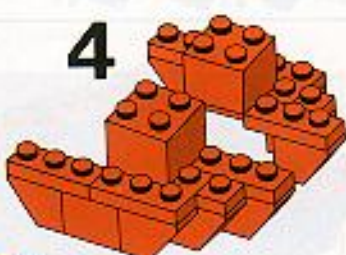
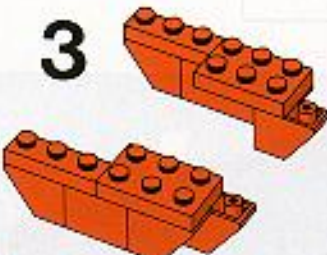
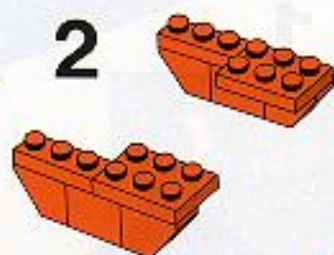
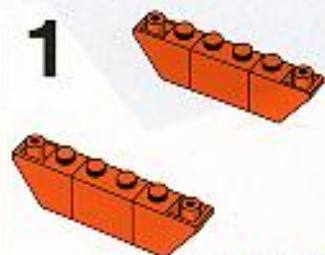
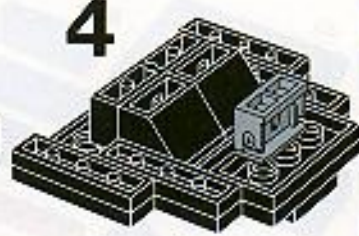
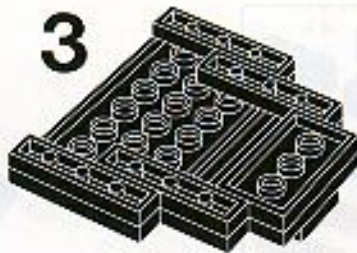
13



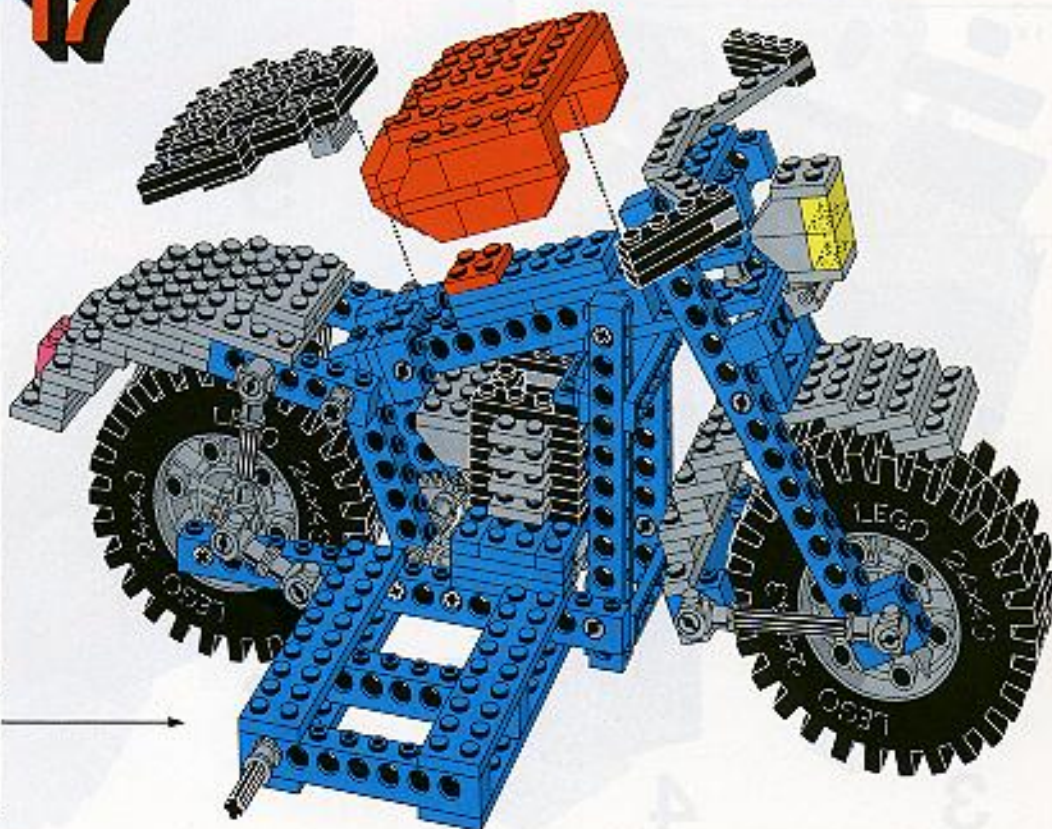
14



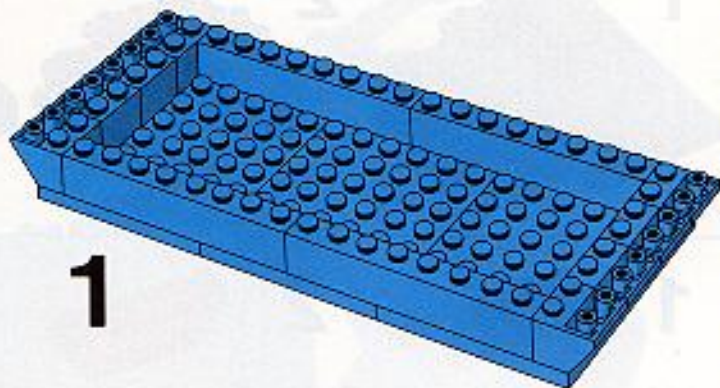
15**16**



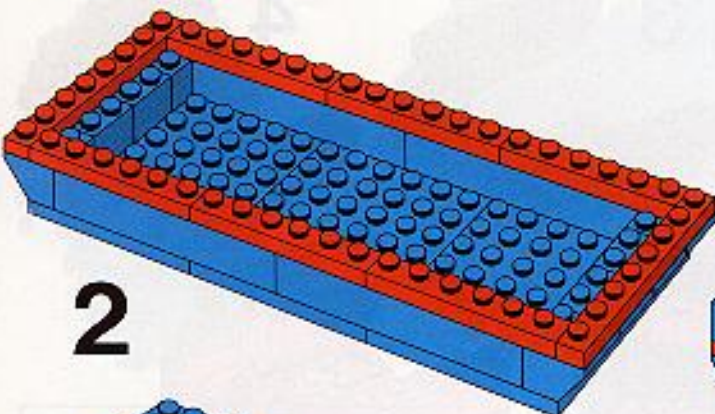
17



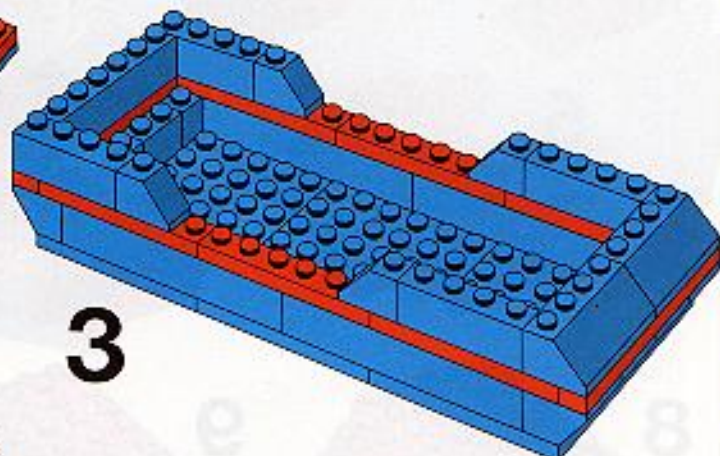
- 3x [1x6 Blue Technic Plate]
- 6x [1x3 Blue Technic Brick]
- 4x [1x2 Blue Technic Brick]
- 2x [1x2 Blue Technic Brick]
- 6x [1x4 Blue Technic Brick]
- 1x [1x6 Blue Technic Brick]
- 2x [1x6 Red Technic Brick]
- 3x [1x2 Blue Technic Brick]
- 8x [1x2 Blue Technic Brick]
- 4x [1x2 Blue Technic Brick]
- 4x [1x2 Blue Technic Brick]
- 6x [1x2 Red Technic Brick]



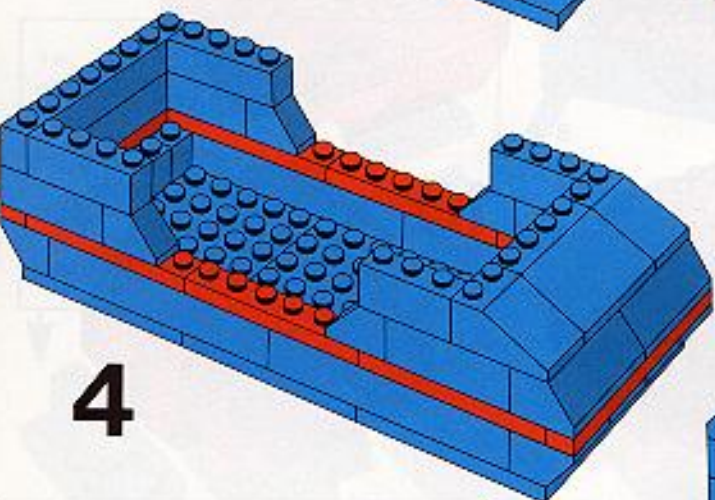
1



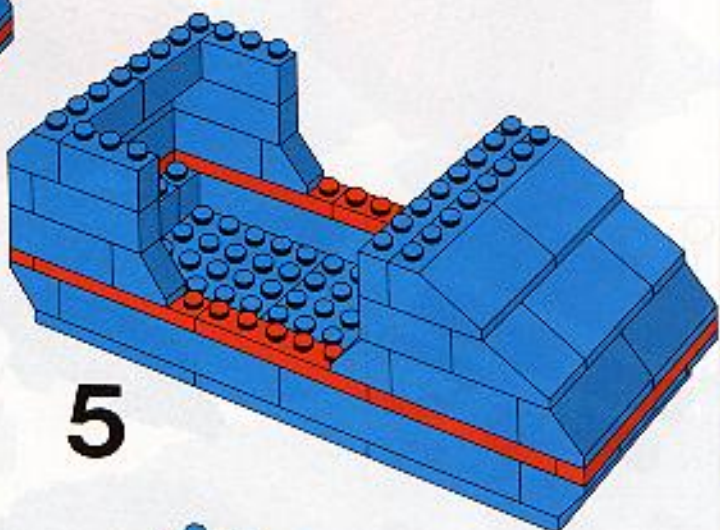
2



3



4



5

- 1x [1x2 Black Technic Brick]
- 2x [1x2 Black Technic Brick]
- 1x [1x6 Black Technic Brick]
- 1x [1x6 Black Technic Brick]
- 1x [1x6 Black Technic Brick]
- 3x [1x2 Black Technic Brick]
- 1x [1x2 Black Technic Brick]
- 2x [1x2 Black Technic Brick]
- 1x [1x2 Black Technic Brick]



1



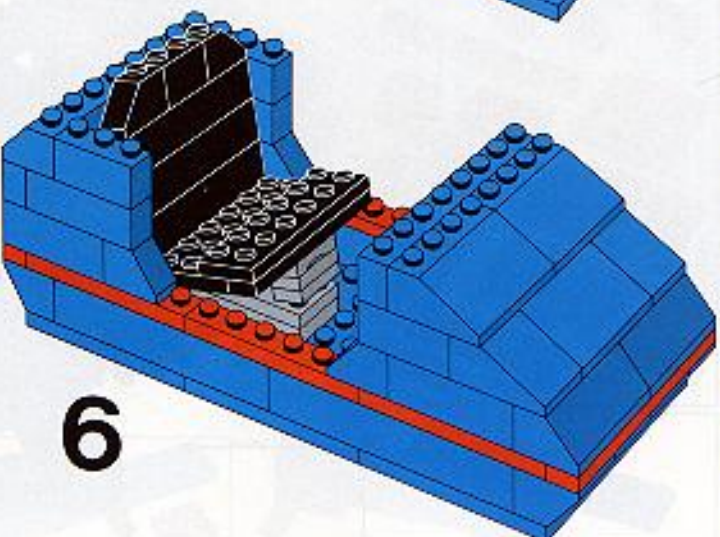
2



3



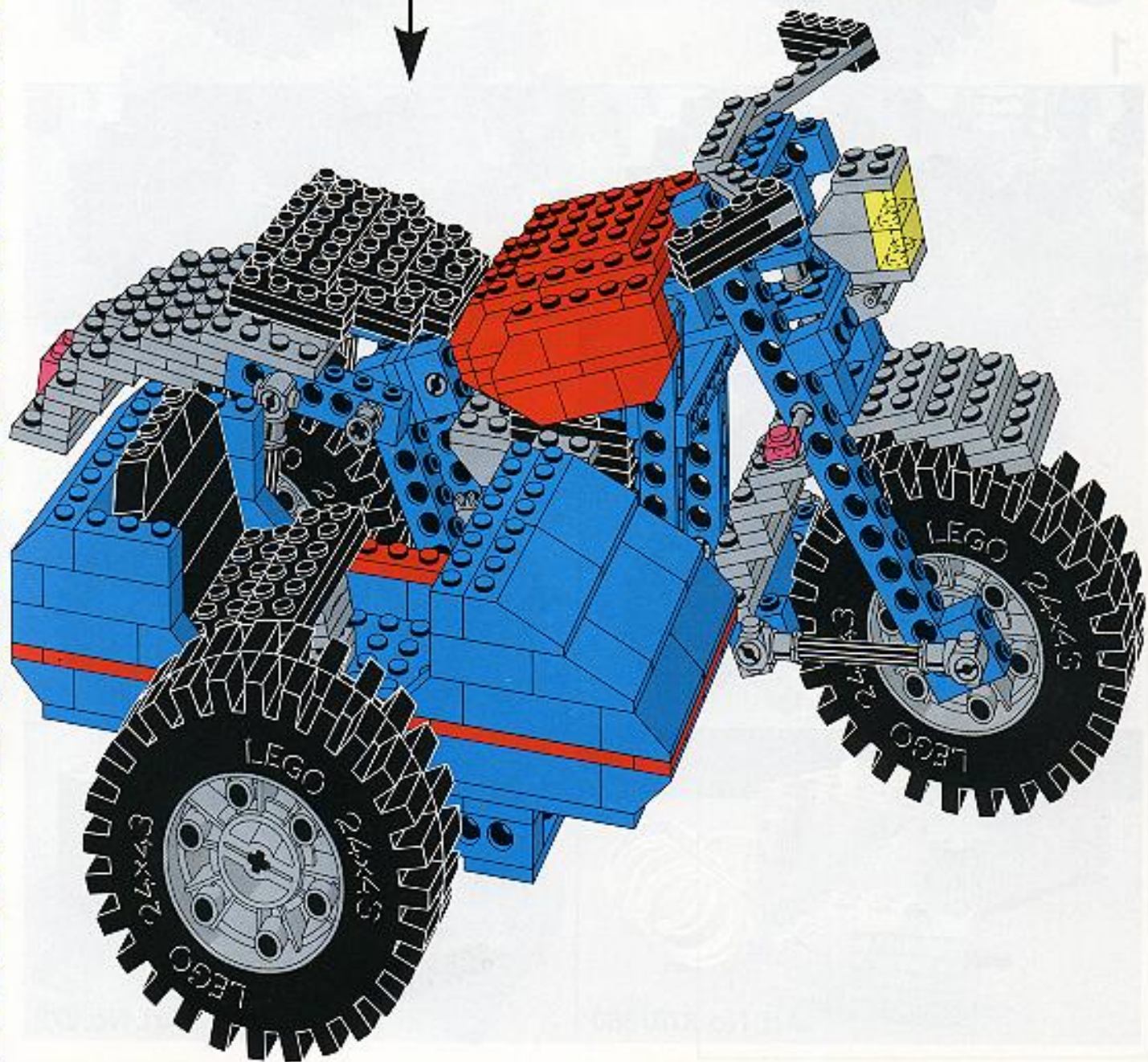
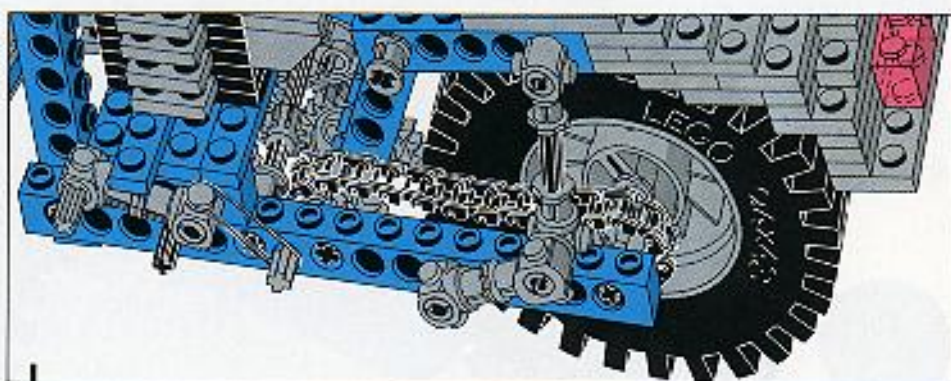
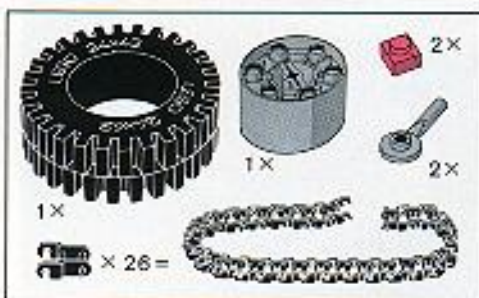
4

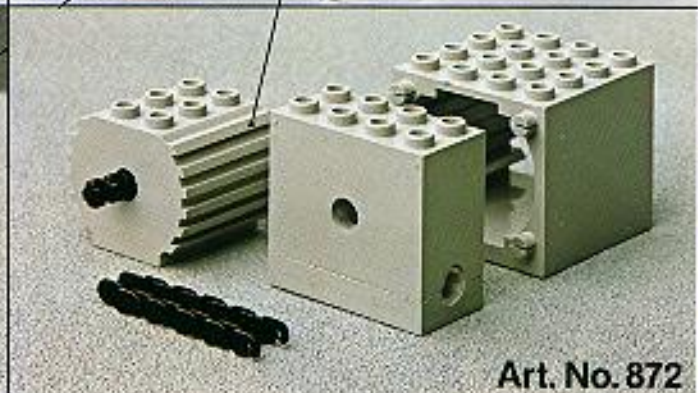
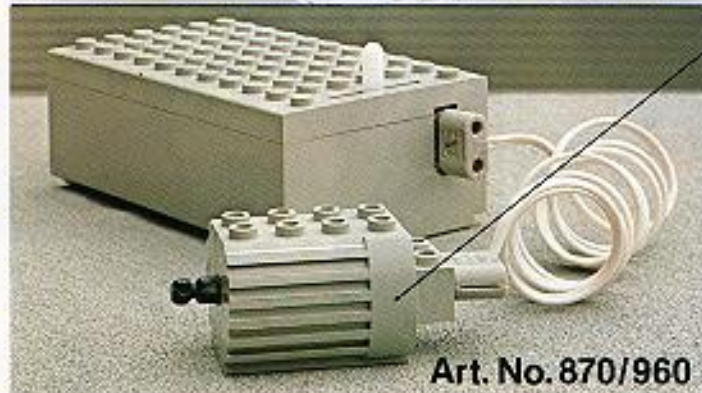


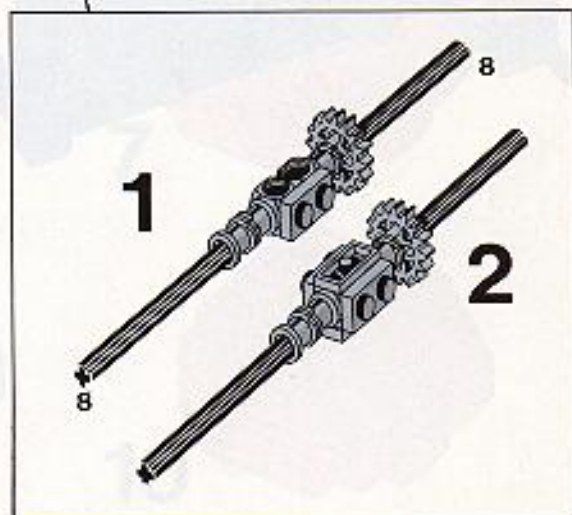
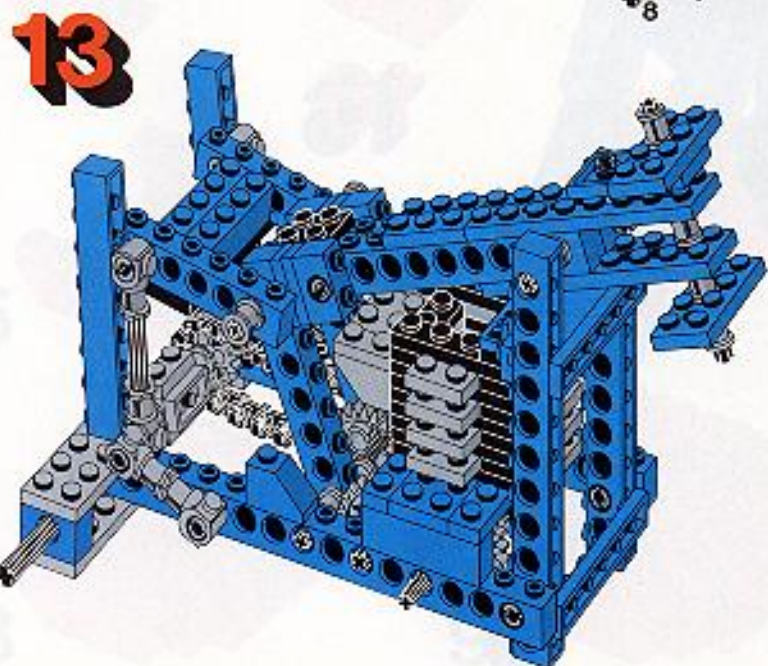
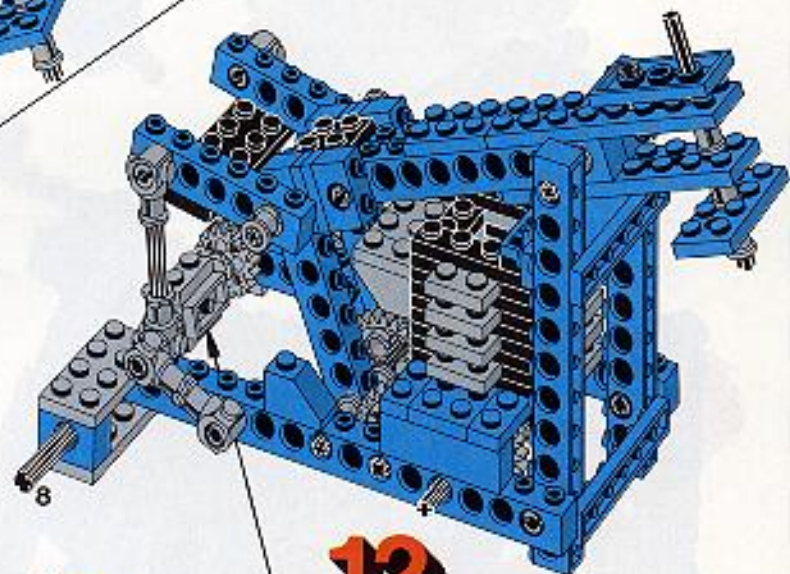
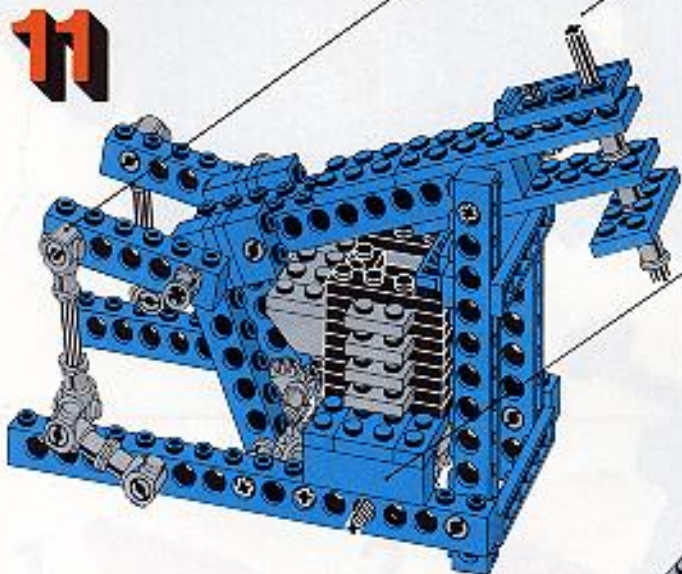
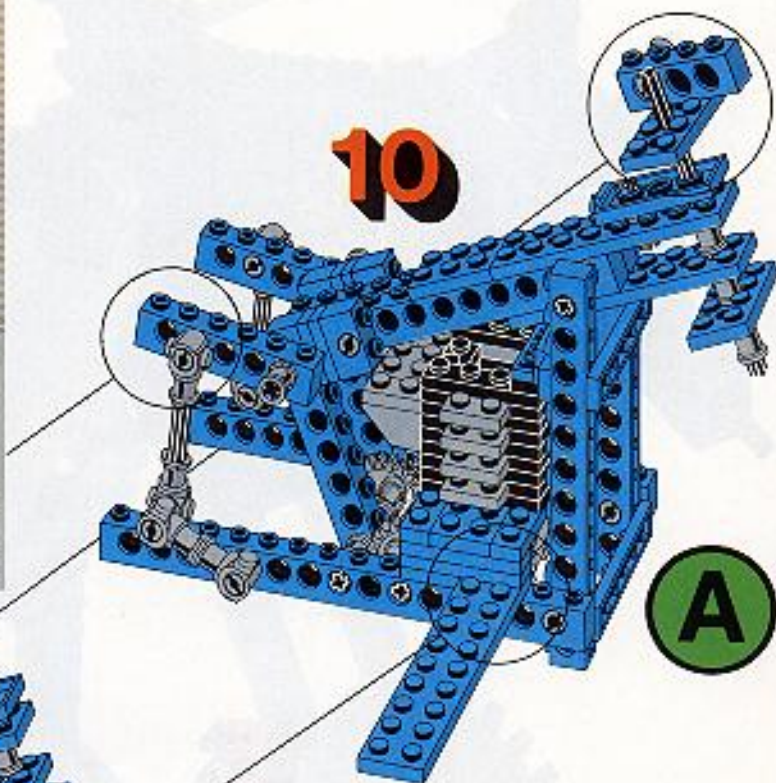
6

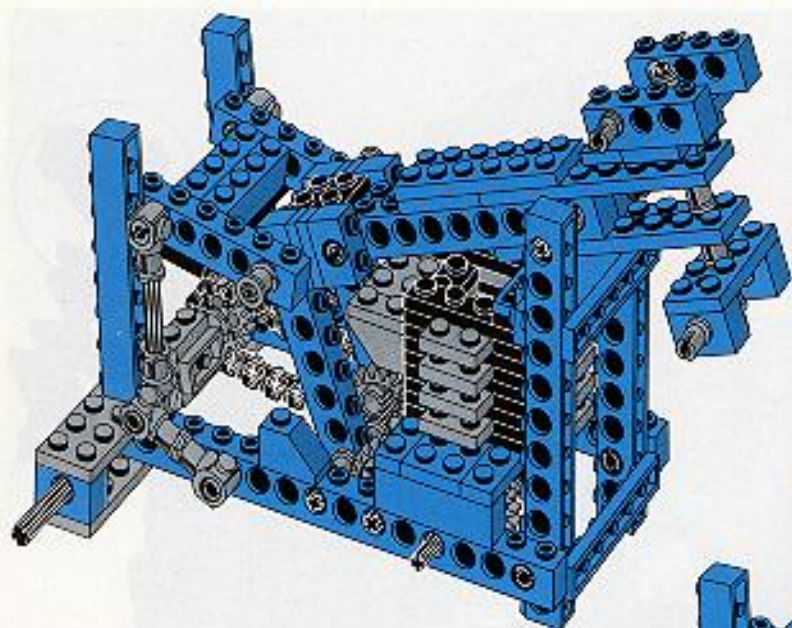


19

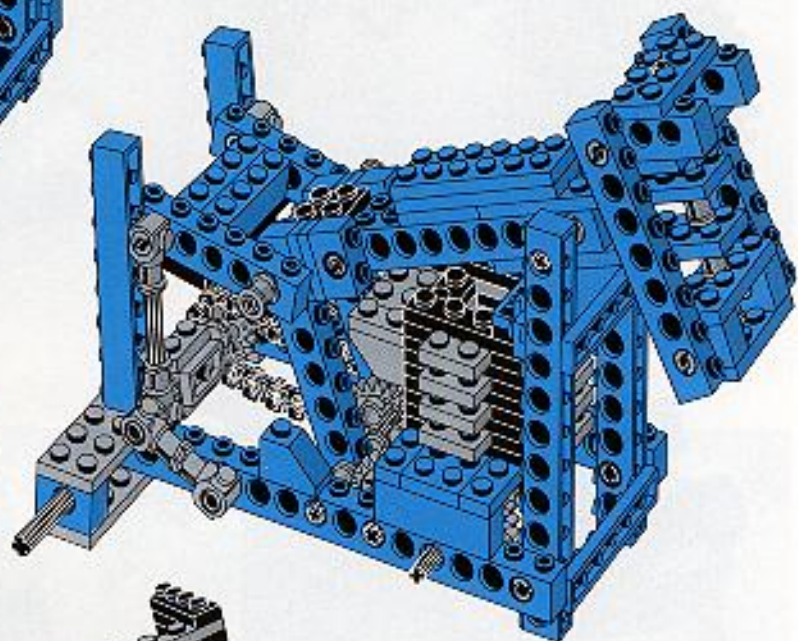




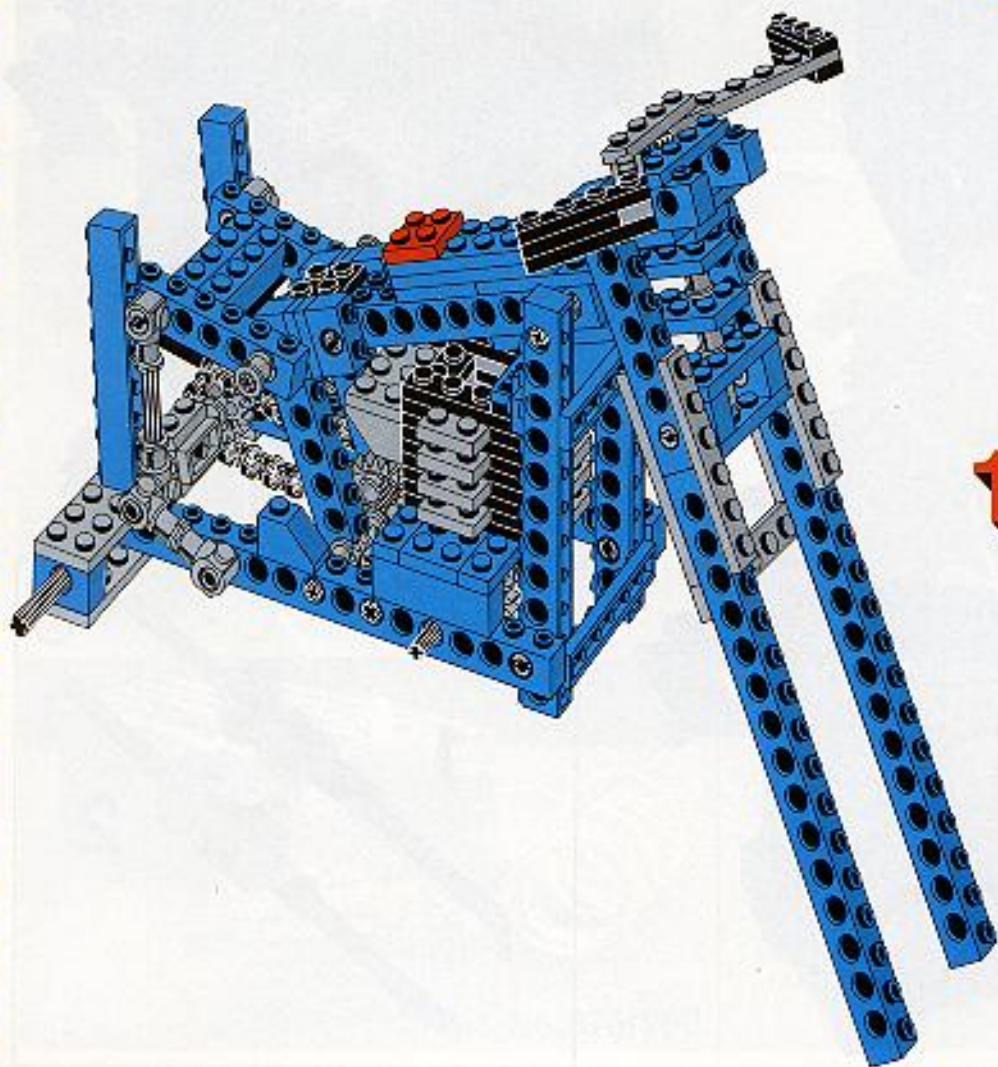




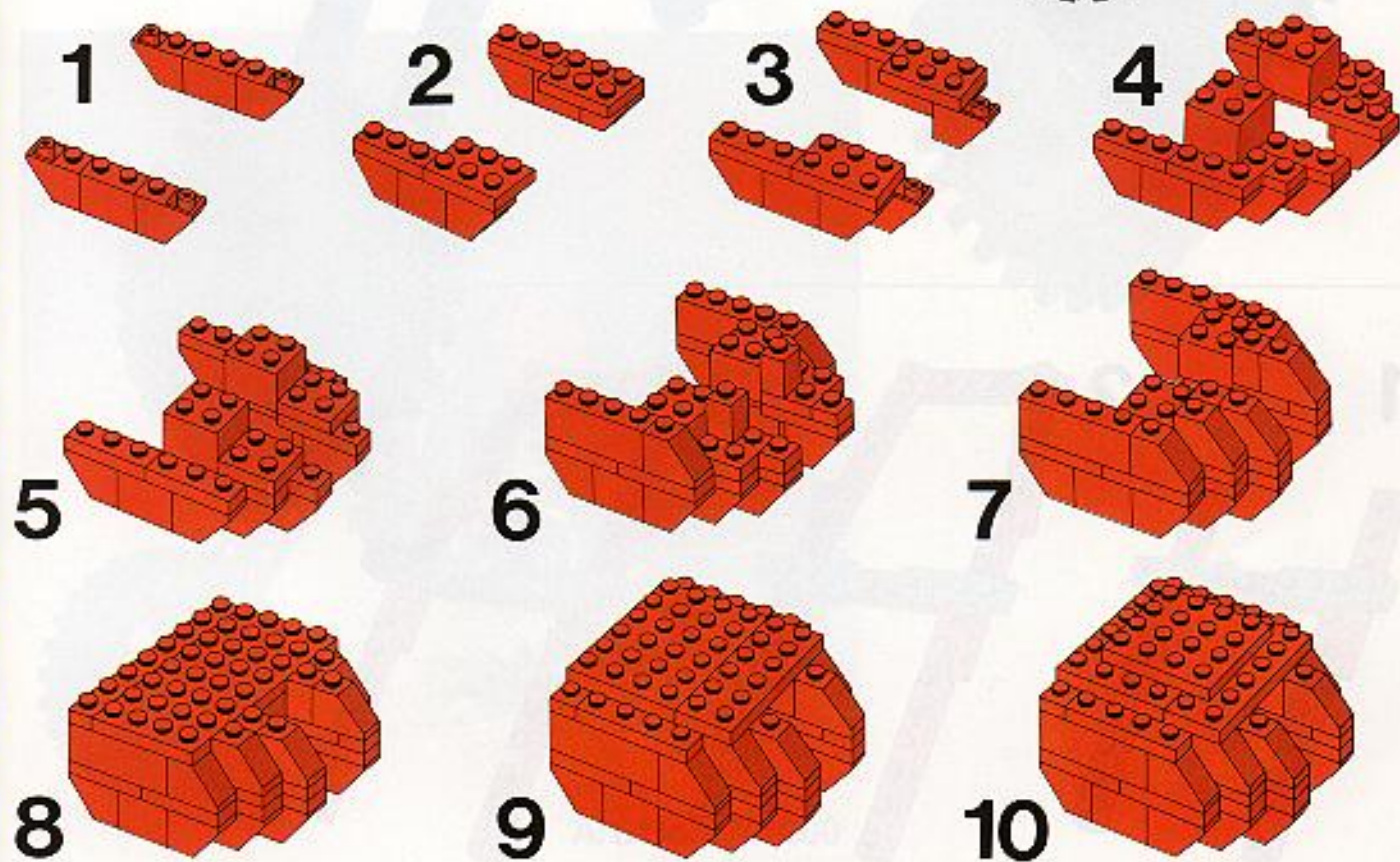
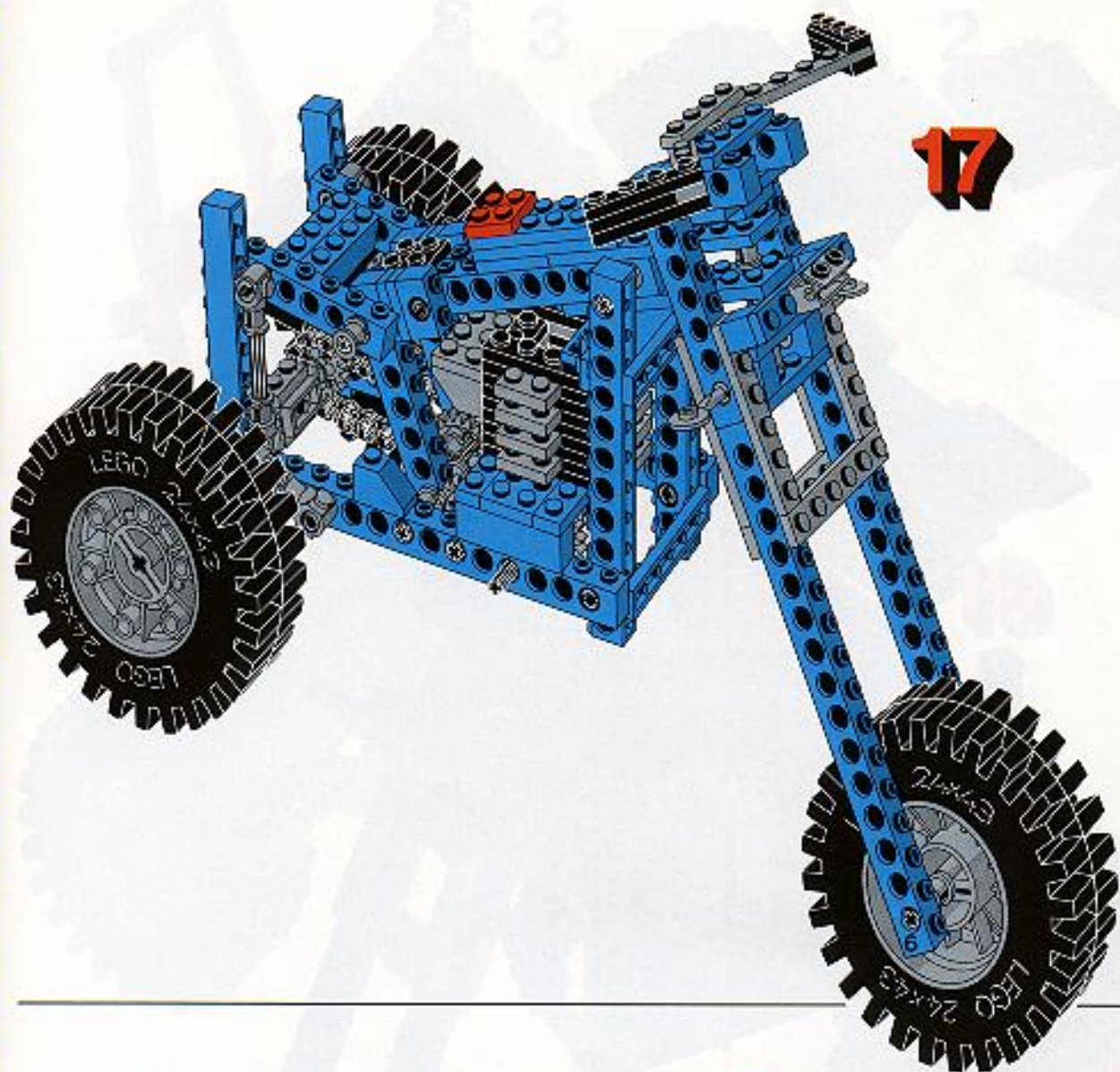
14

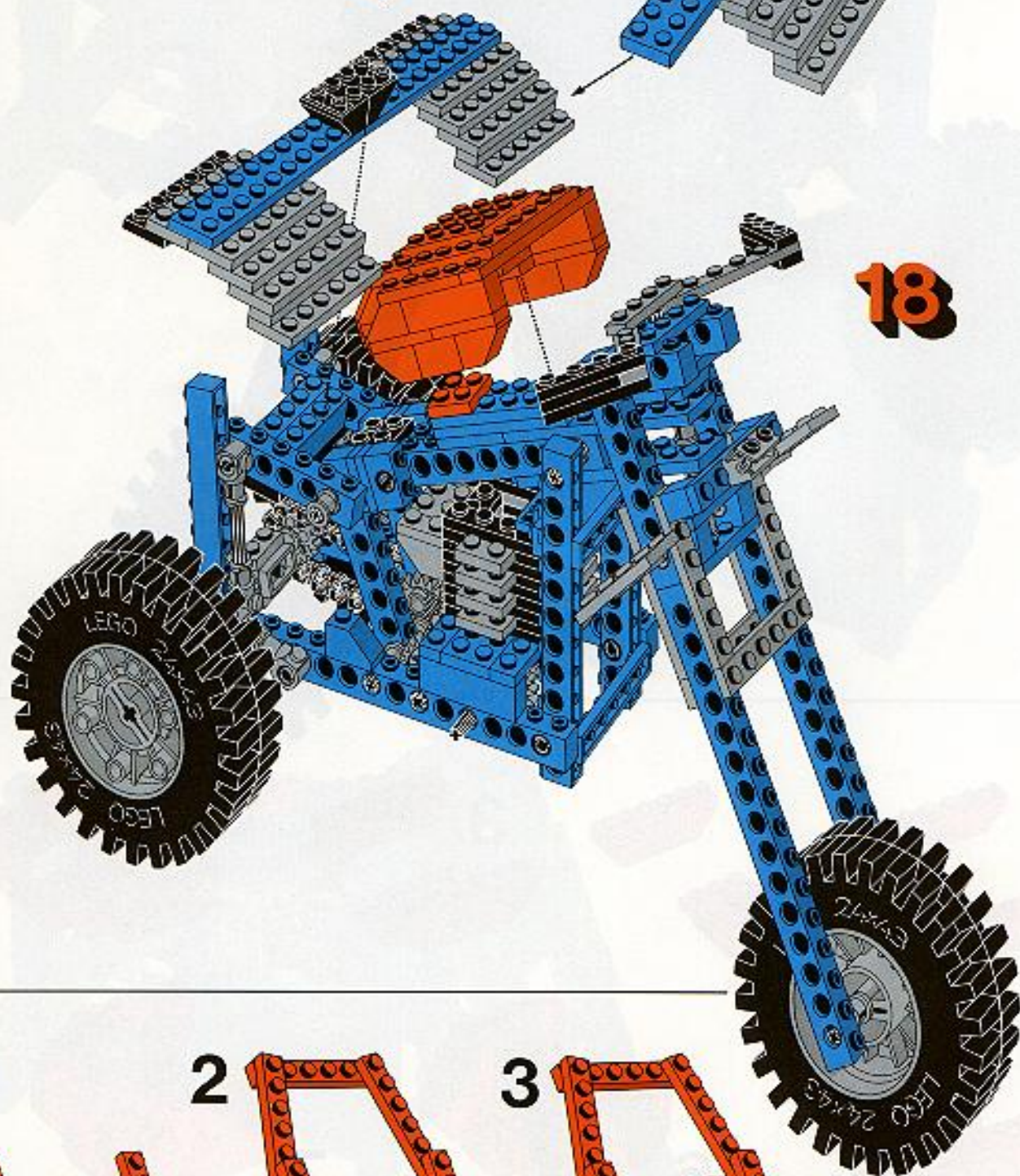
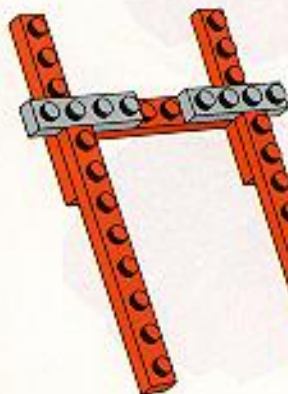
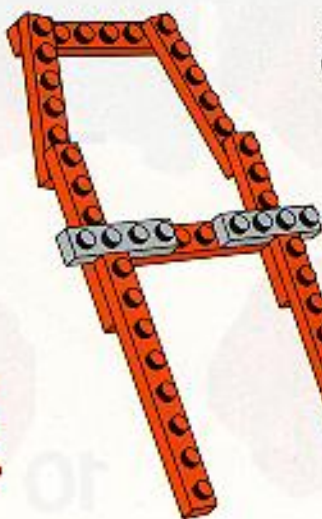


15



16



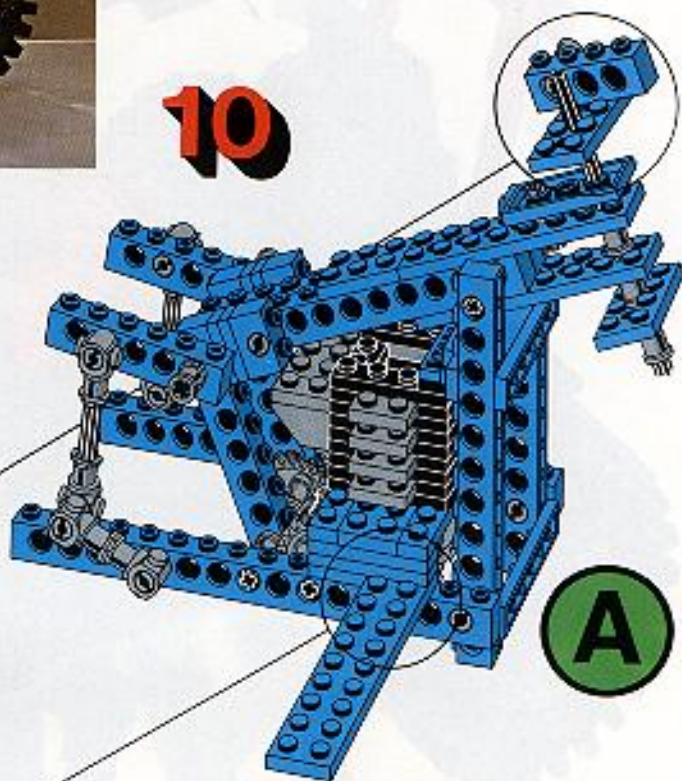
1**2****3****1****2****3**



Art. No. 870/960

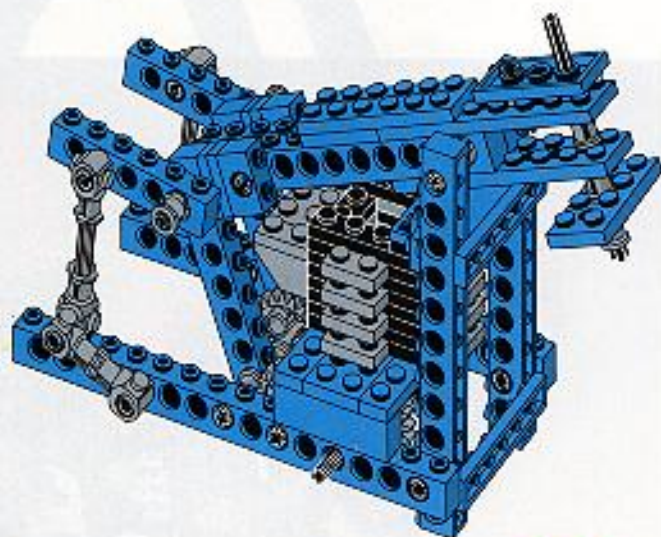
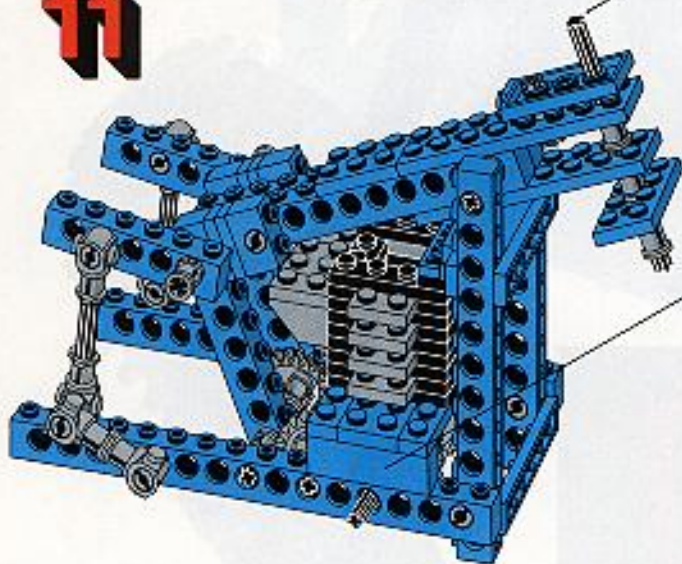


10



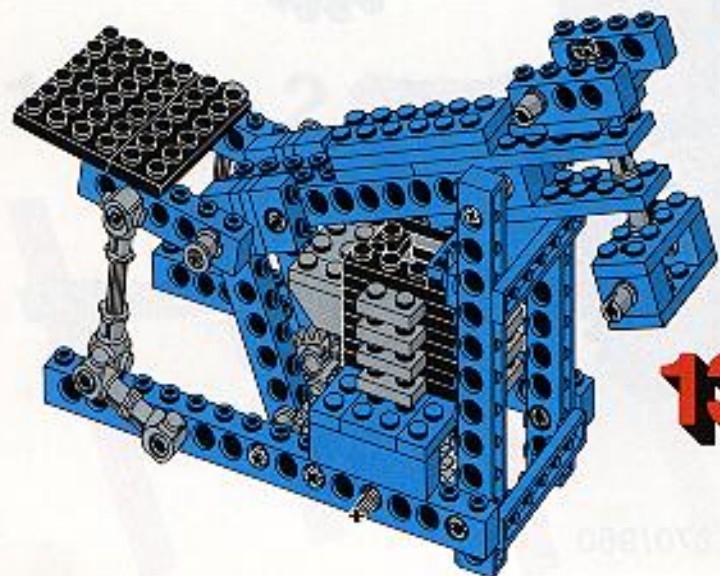
A

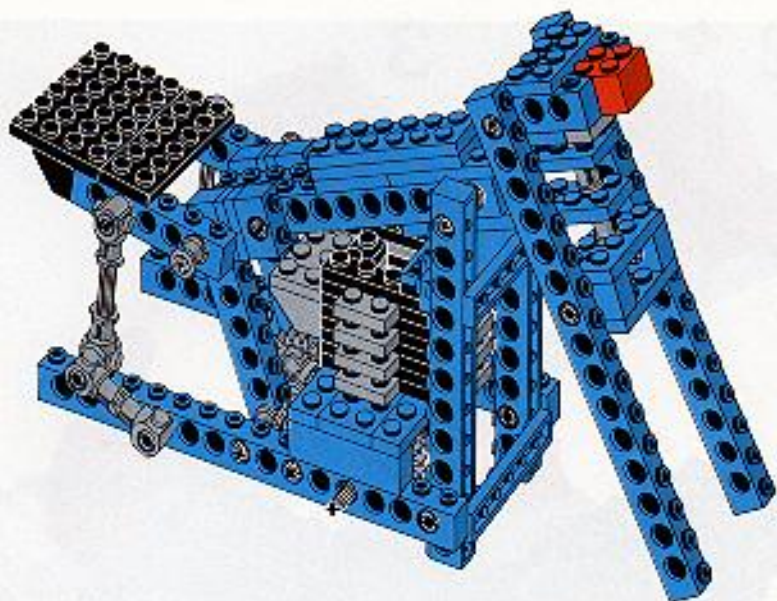
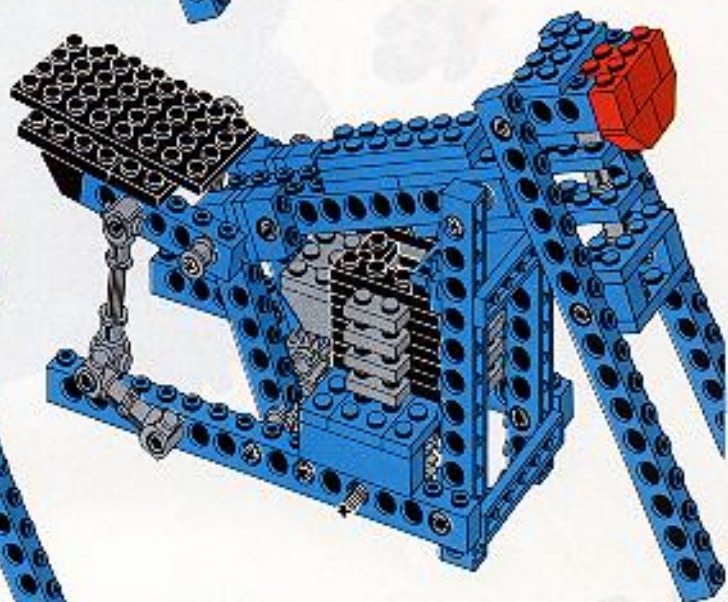
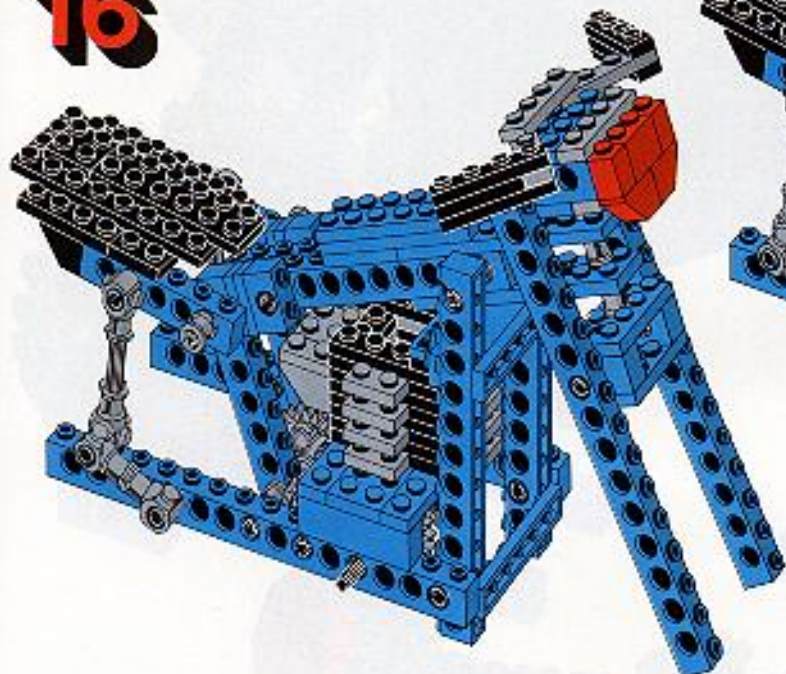
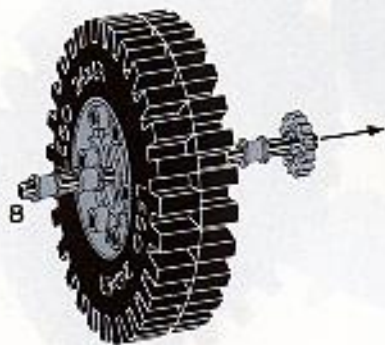
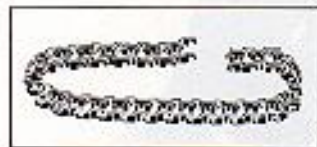
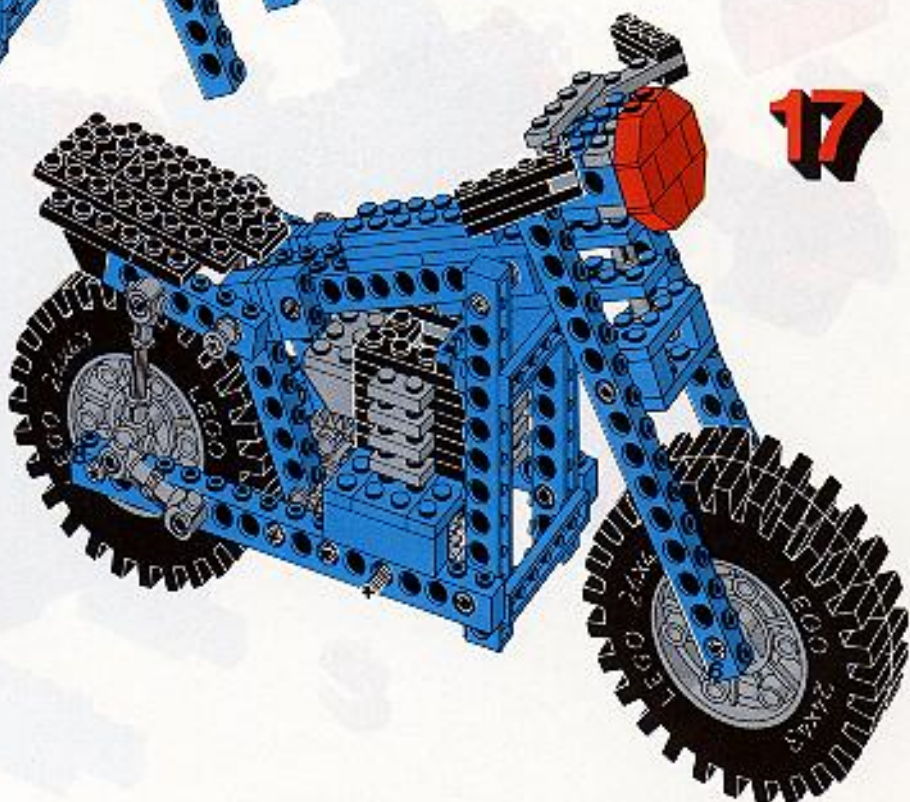
11

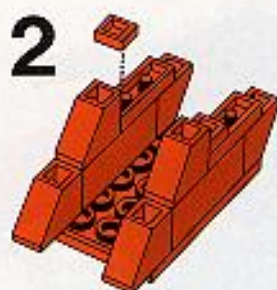
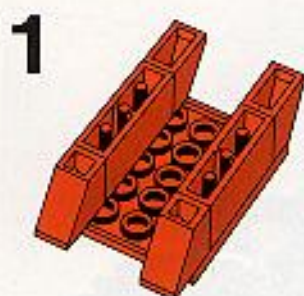


12

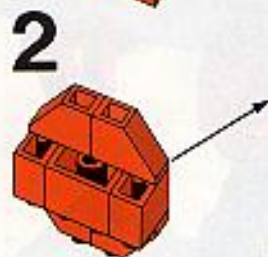
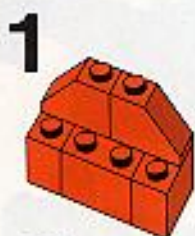
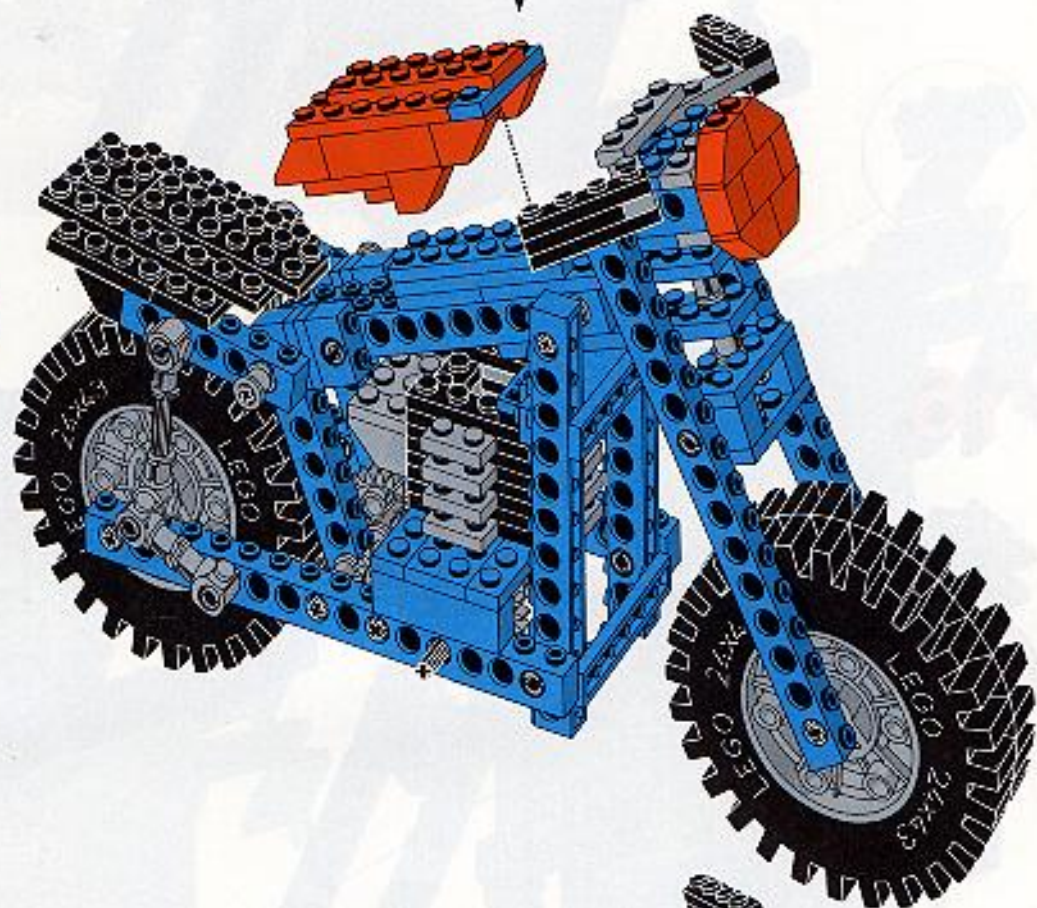
13



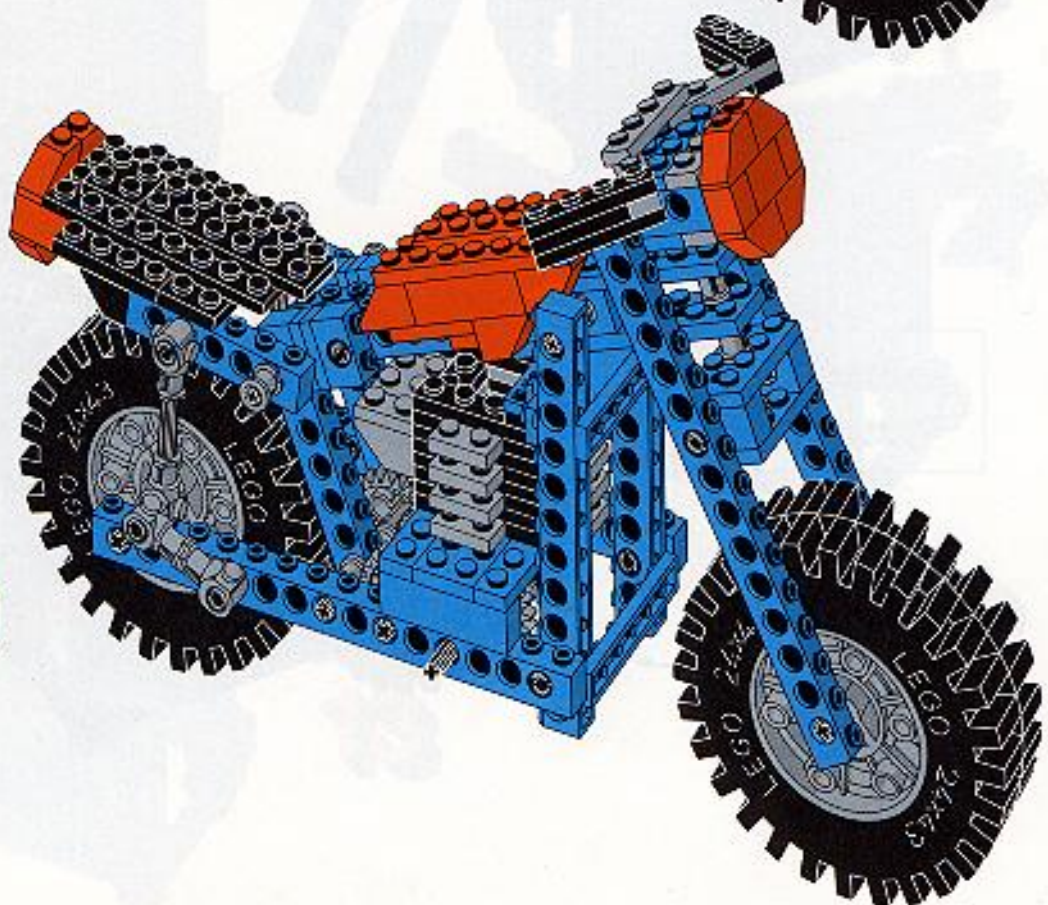
14**15****16****17**

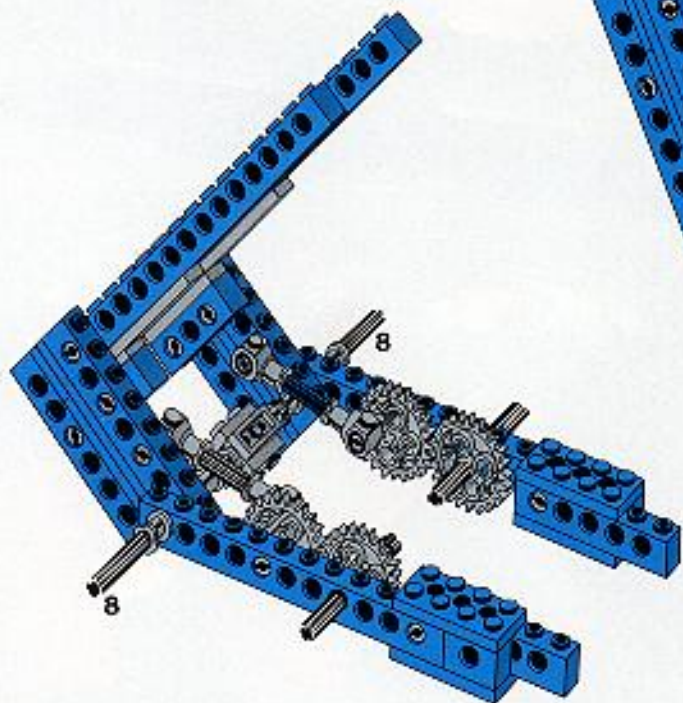
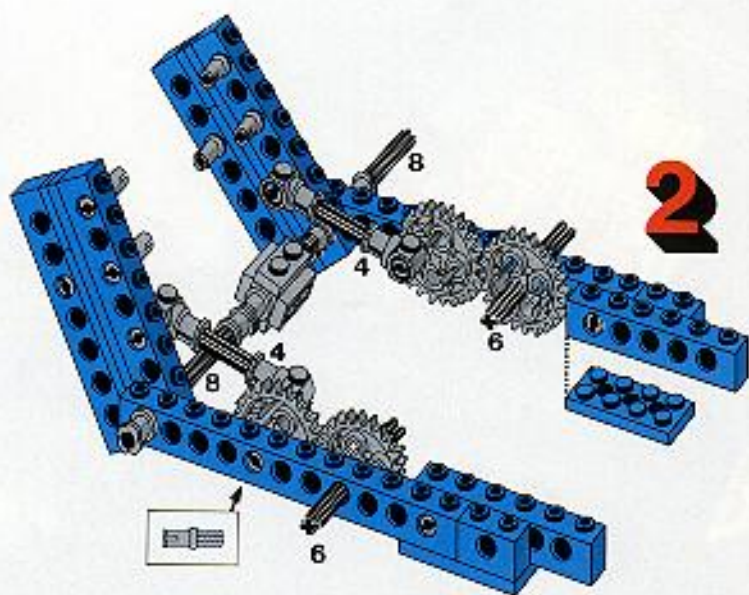
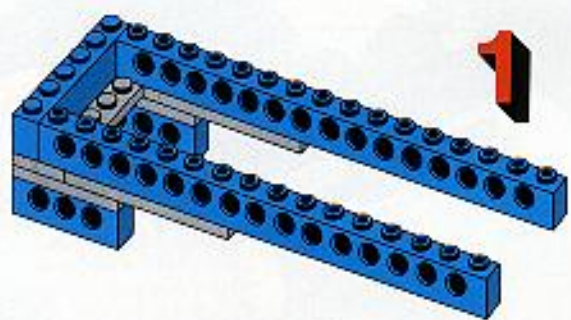
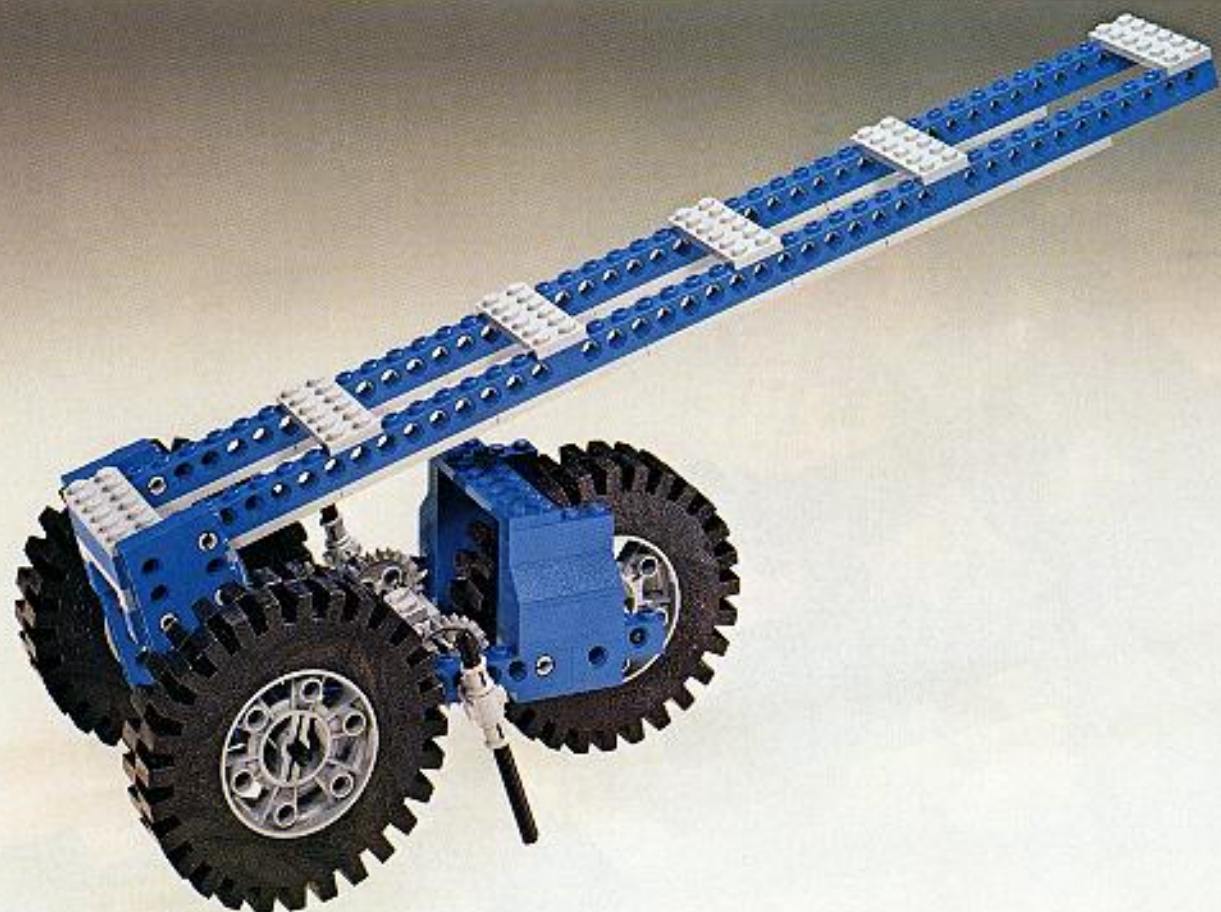


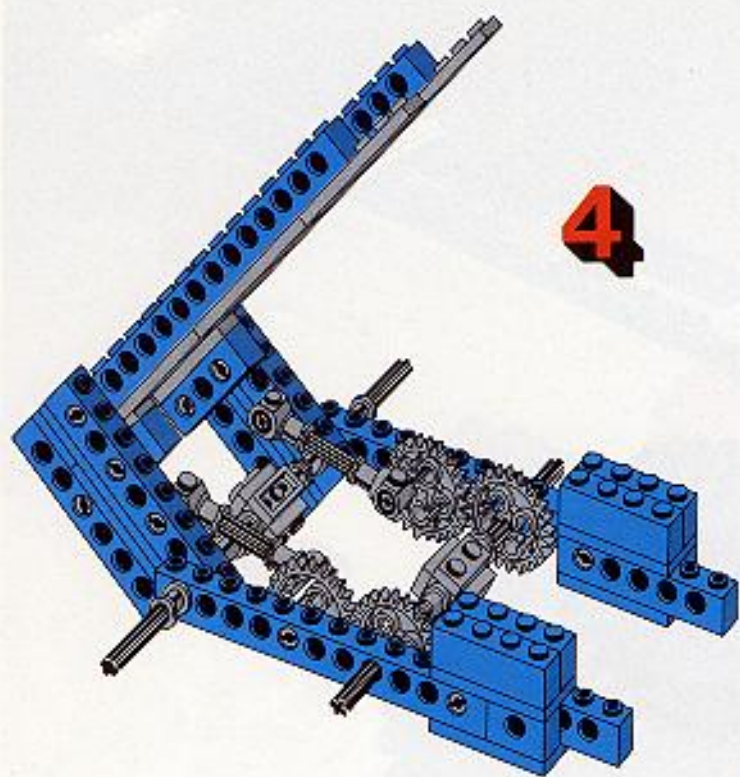
18



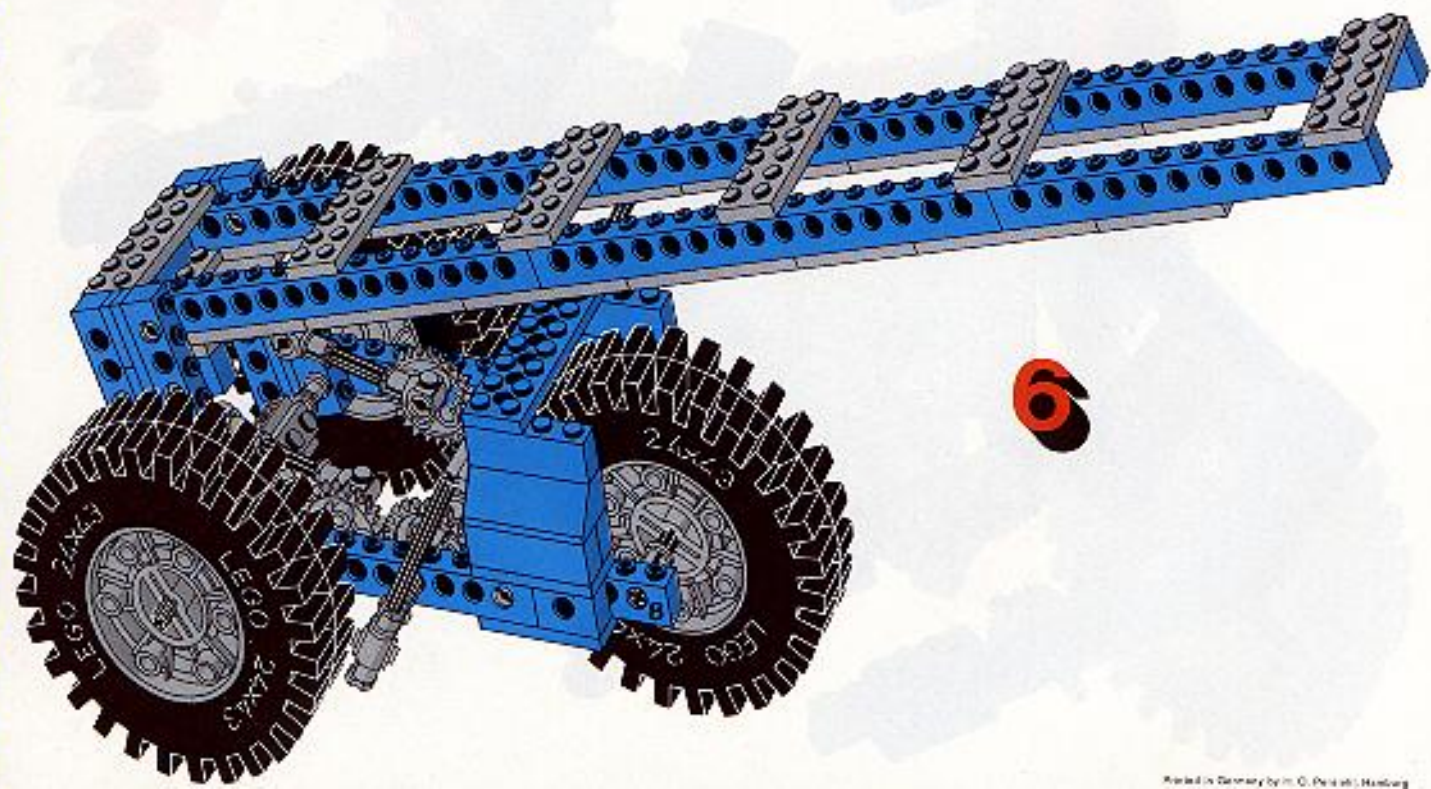
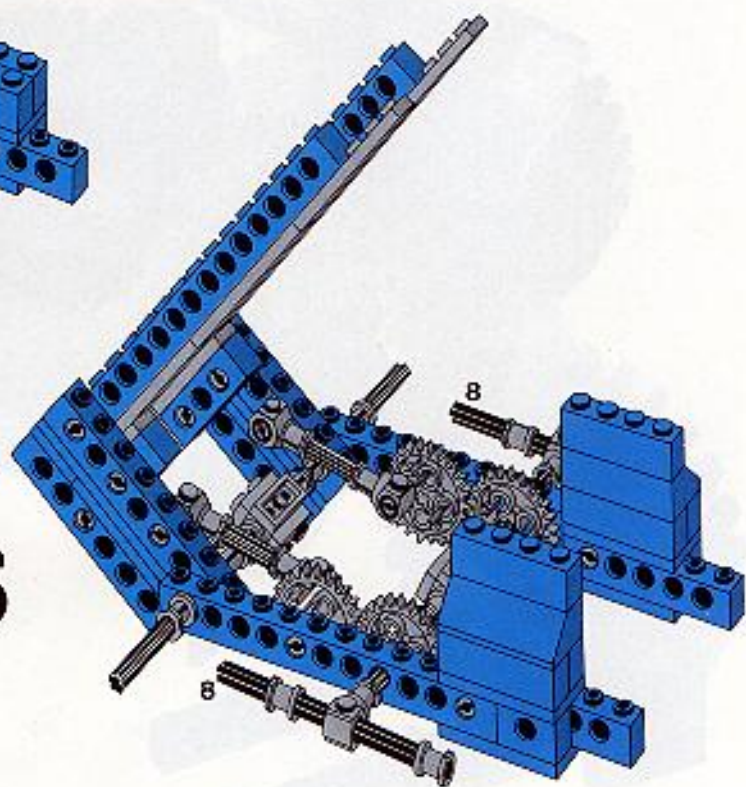
19

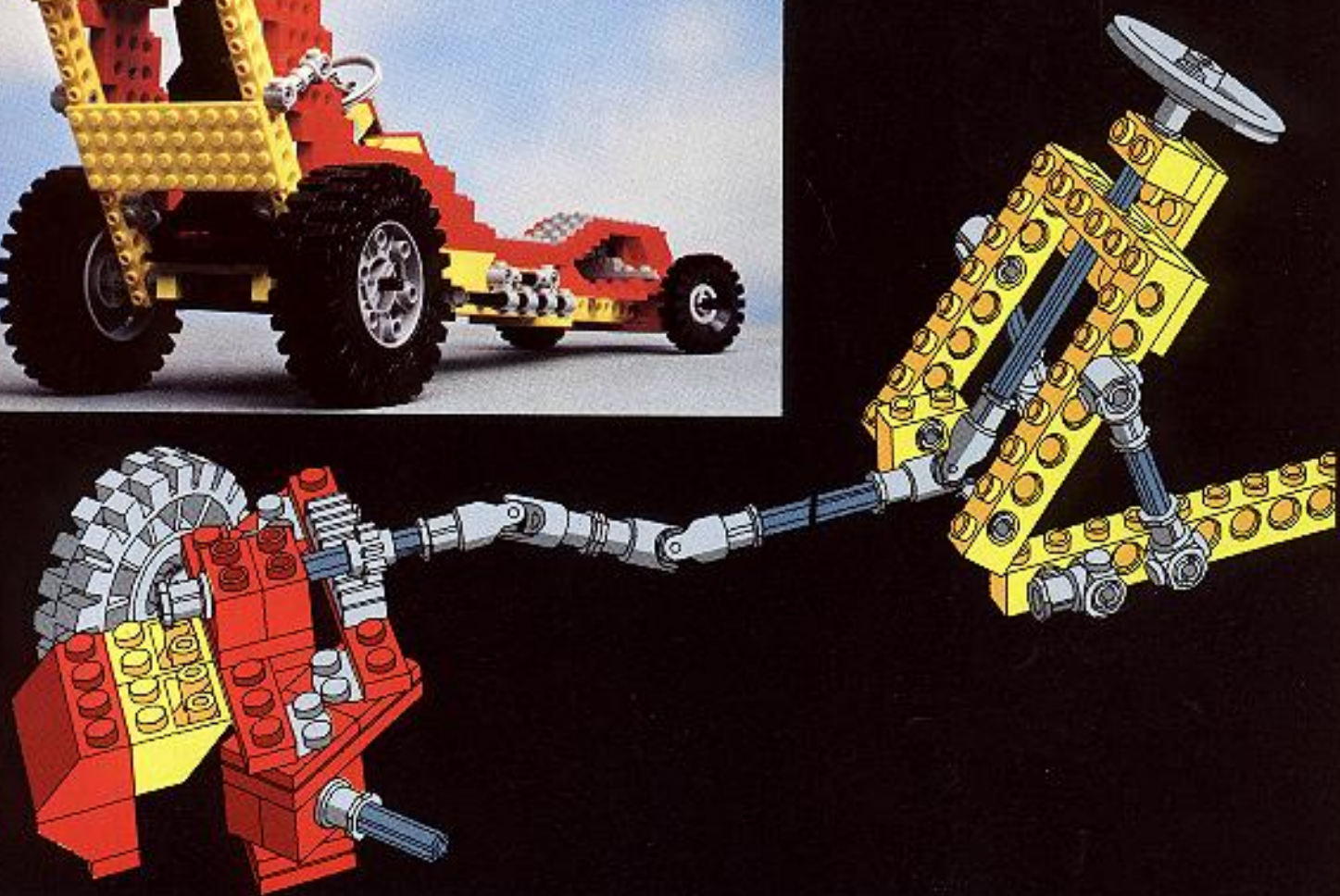


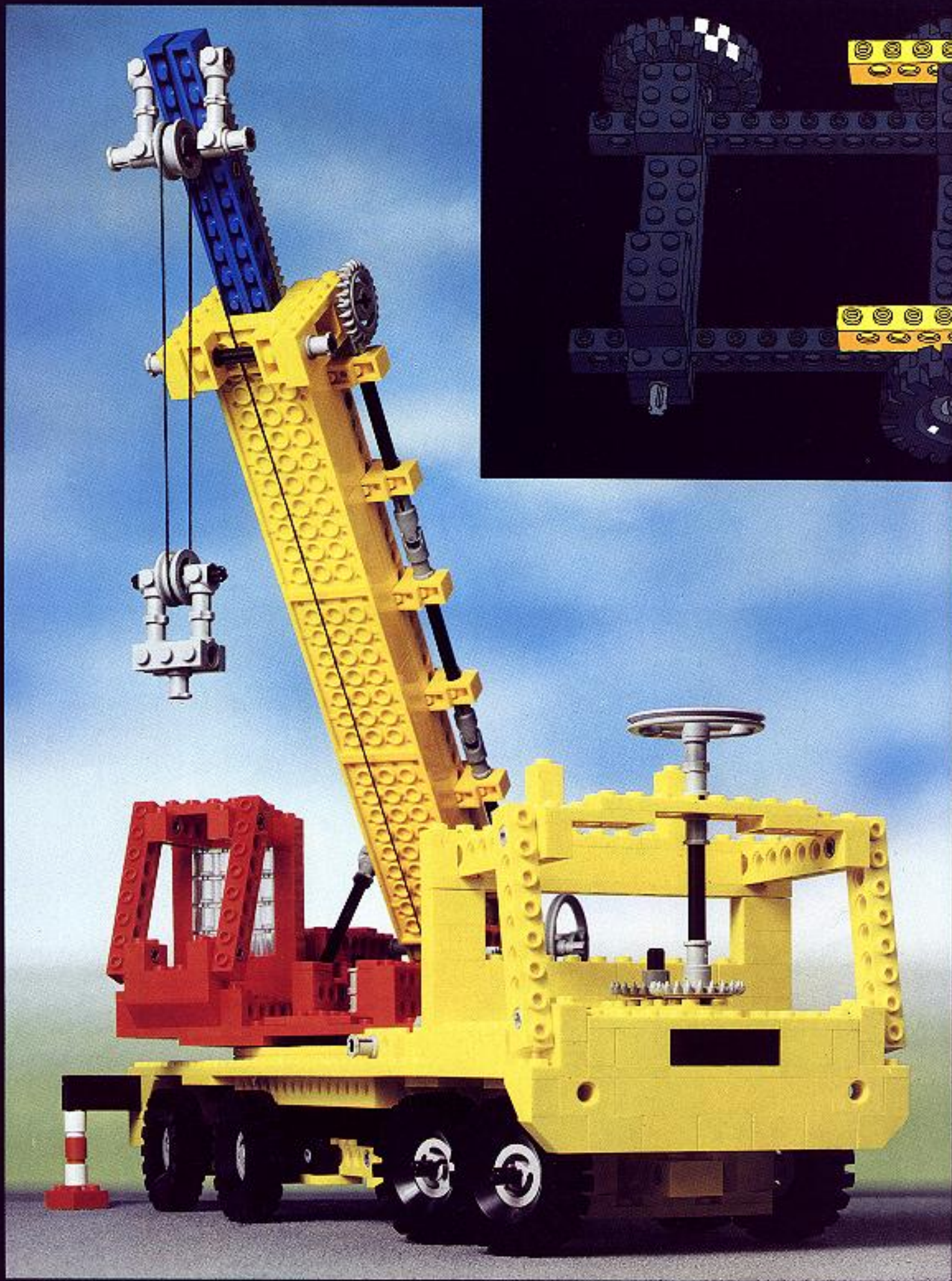


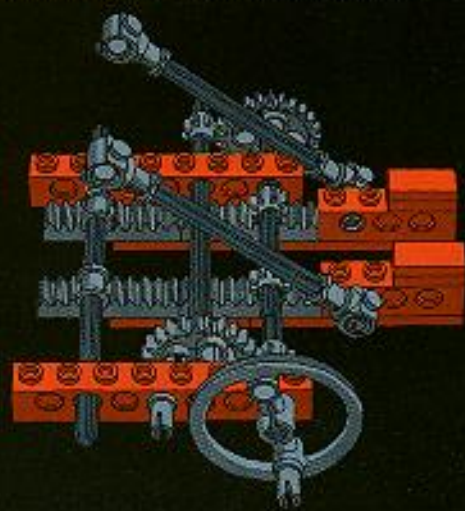
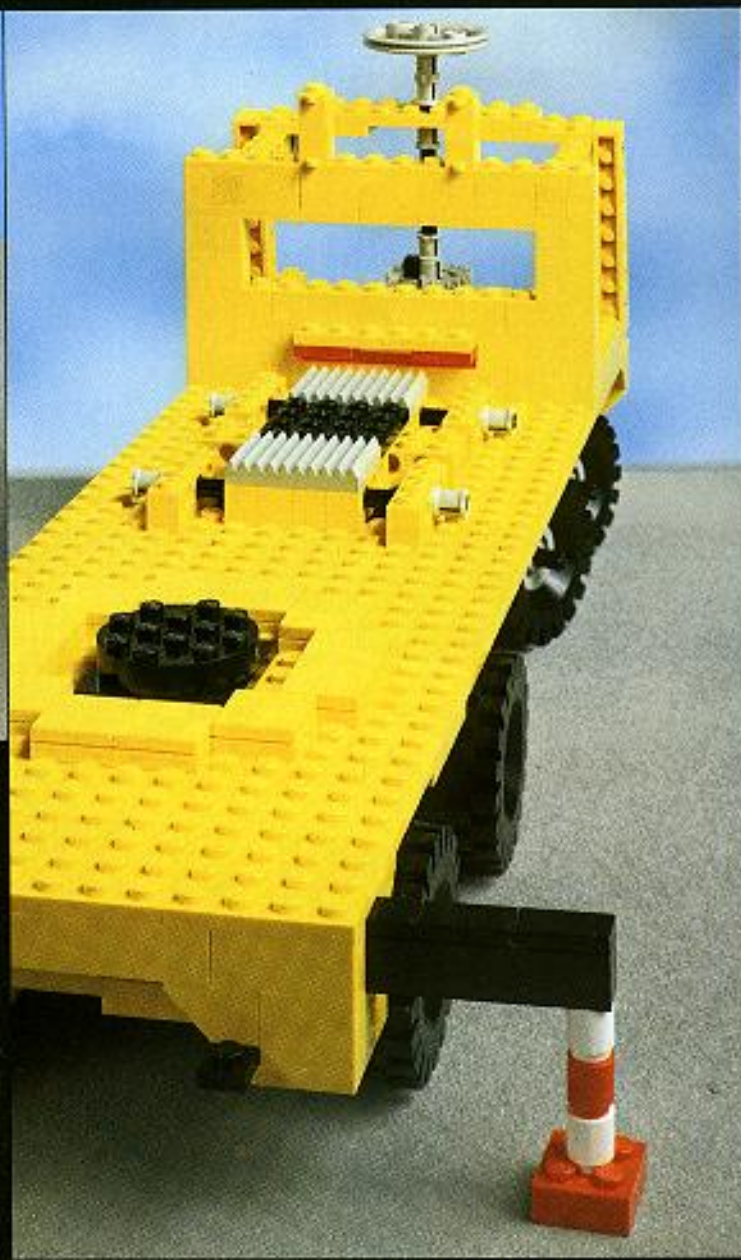
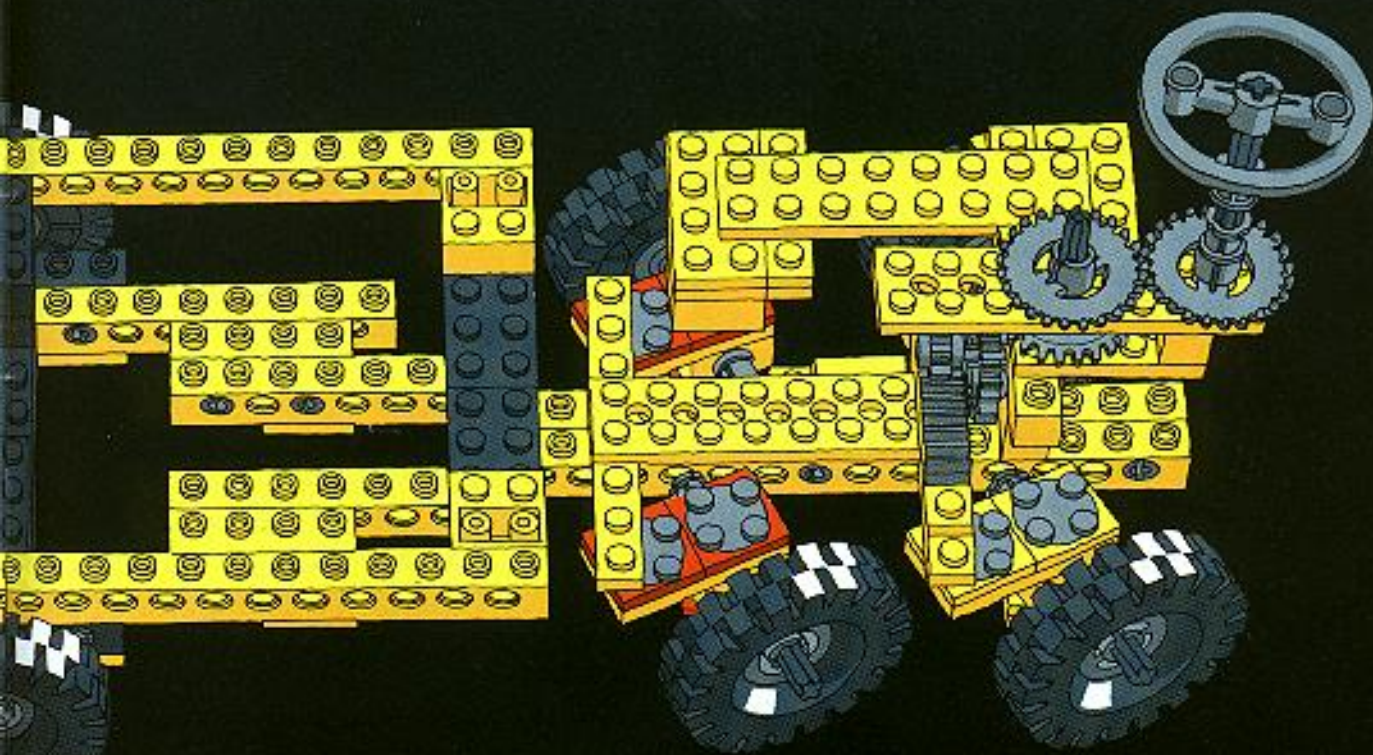


5









948 + 955

