

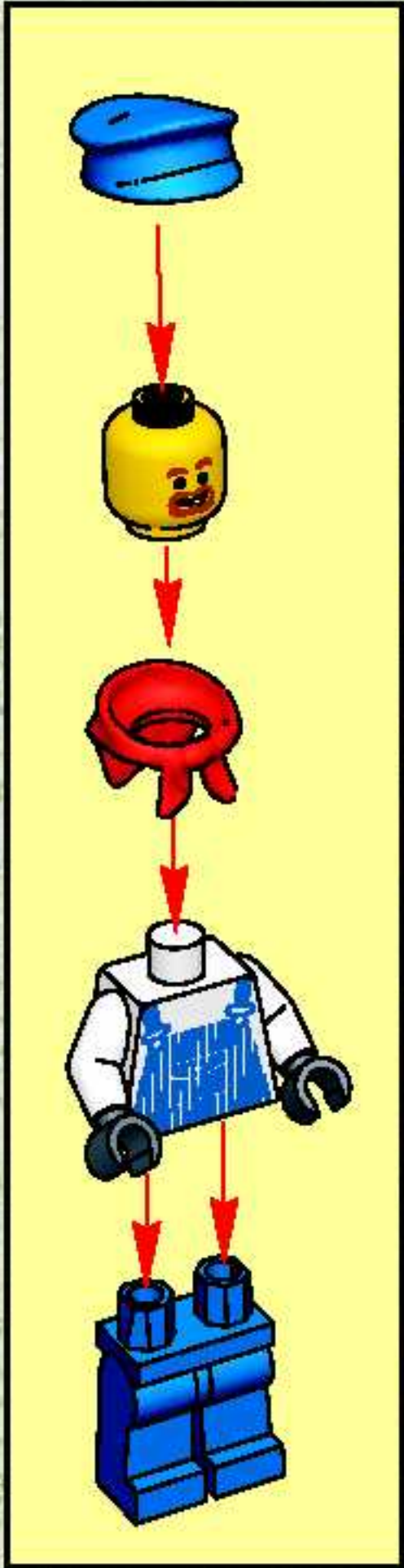
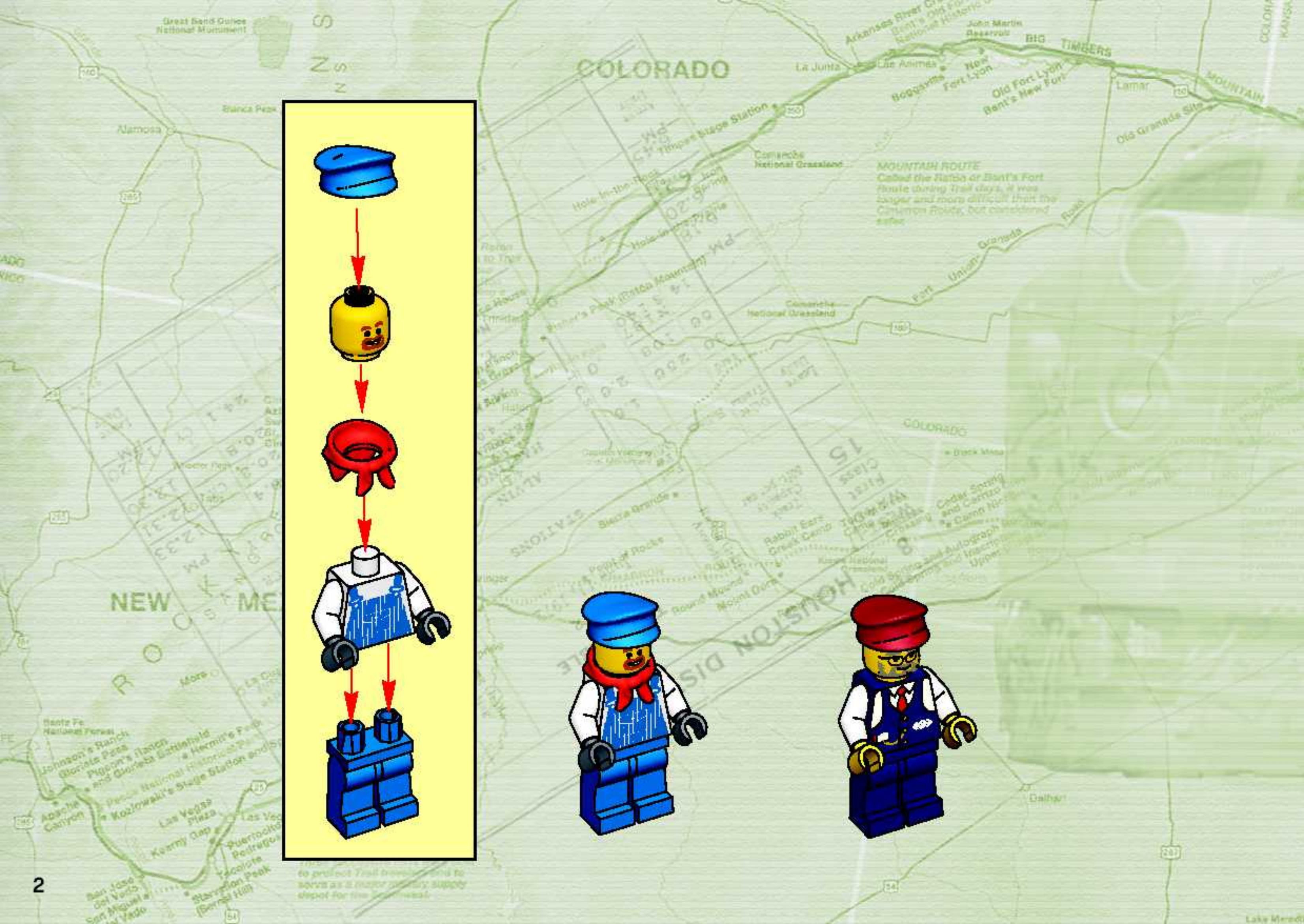


COLORADO

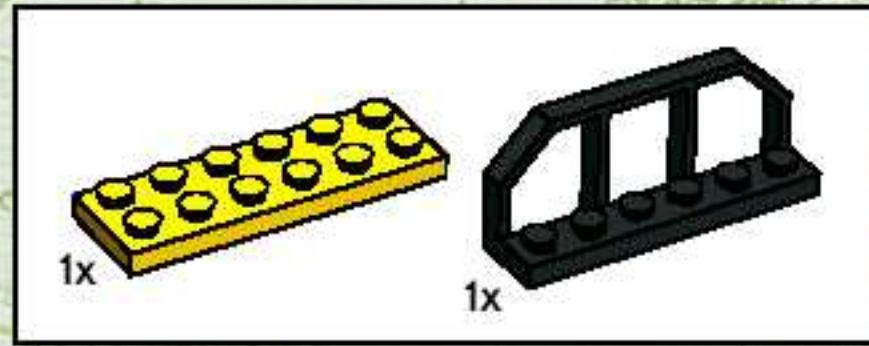
8+

10133

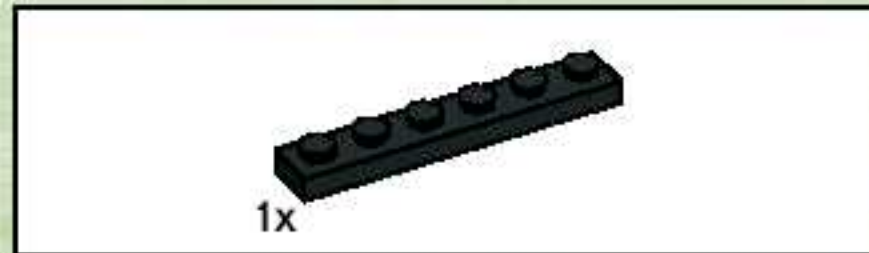




to protect Trail travelers and to serve as a major military supply depot for the west.

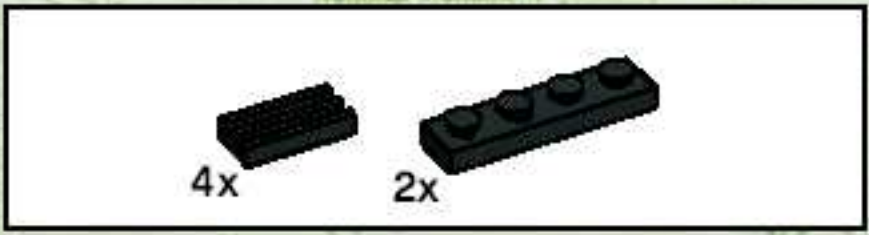


1

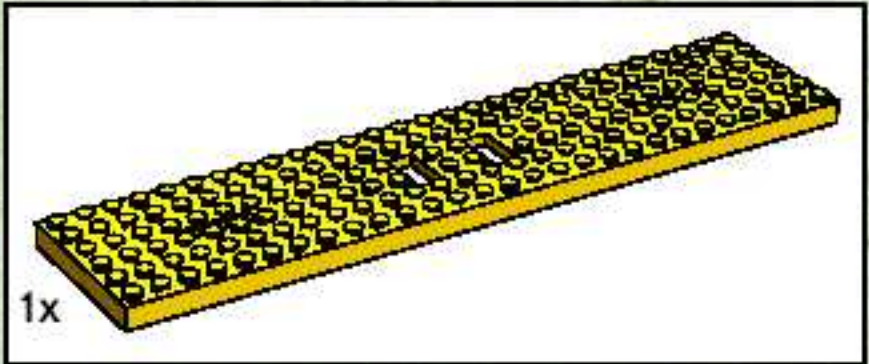


2

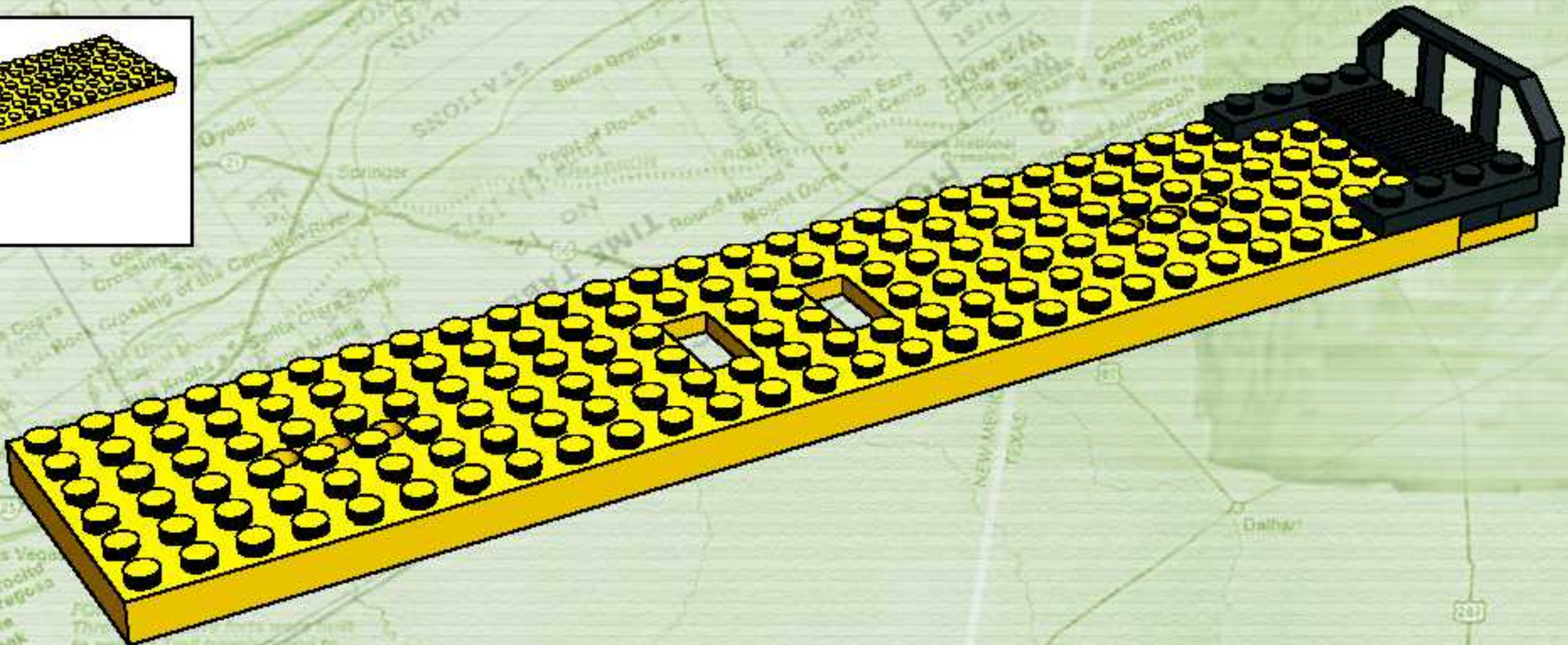


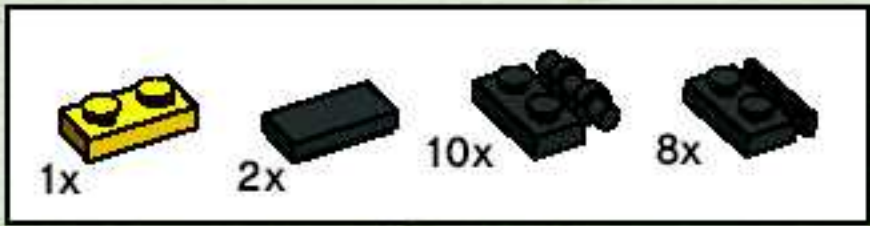


3

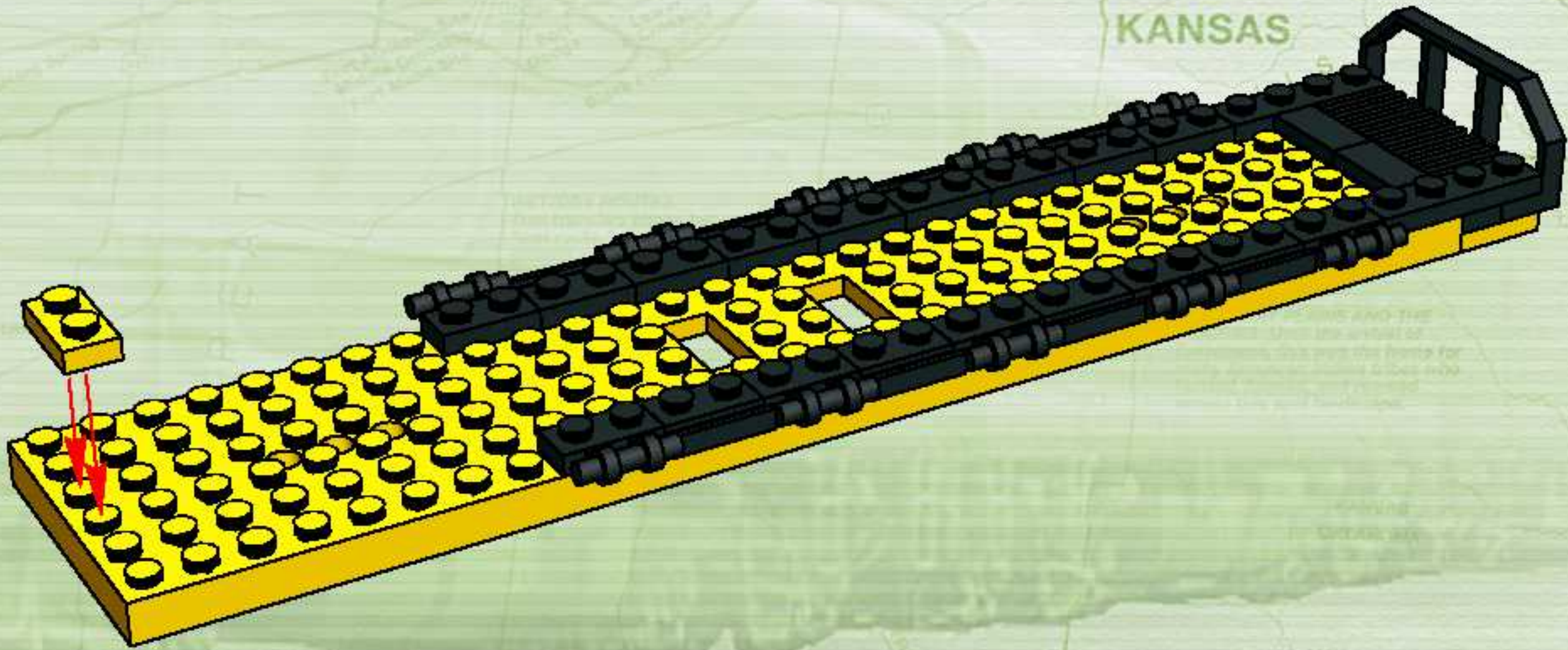


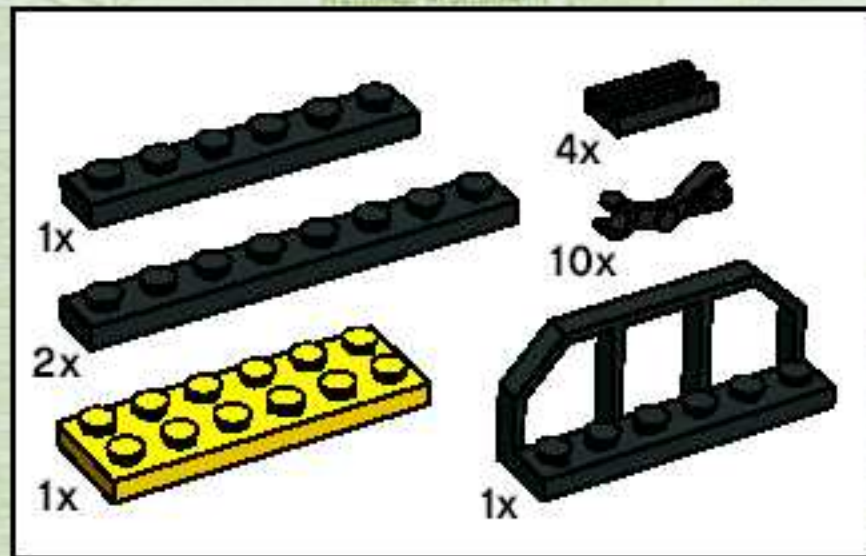
4



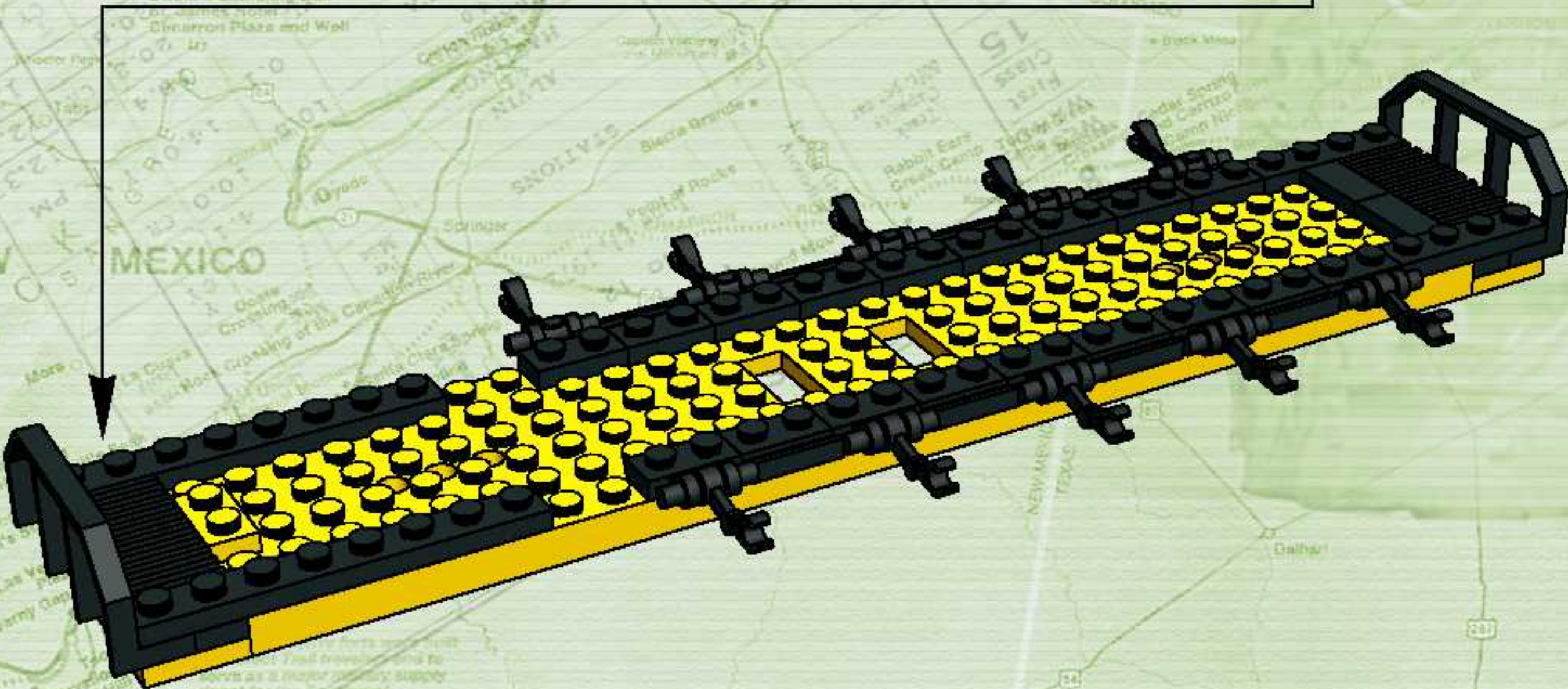
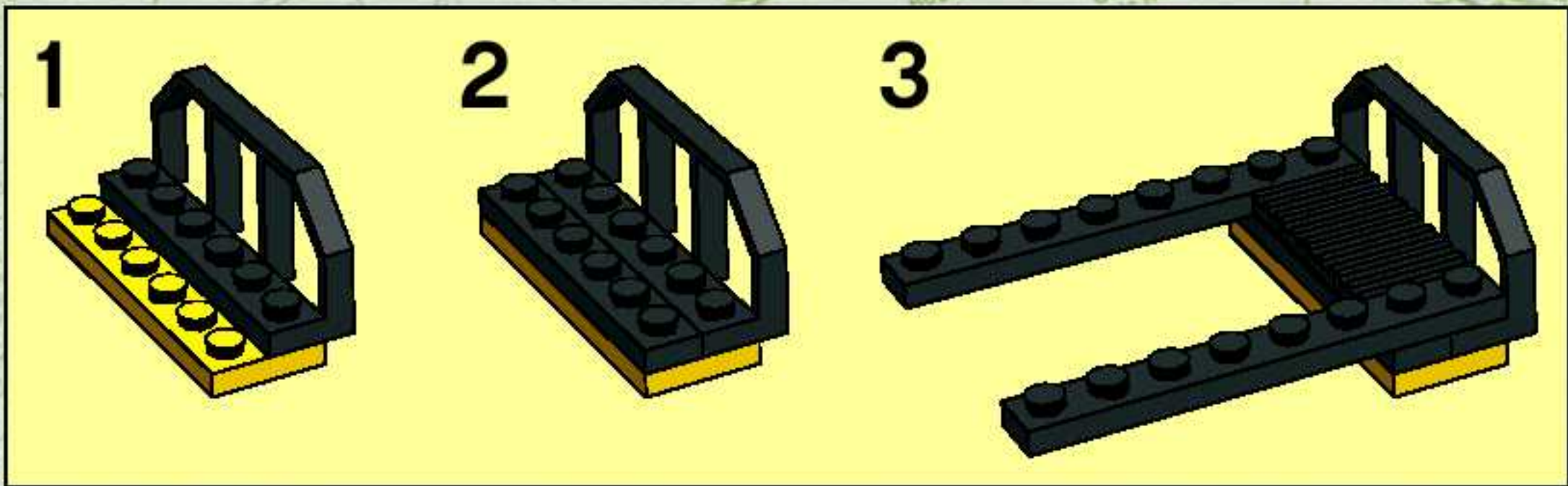


5

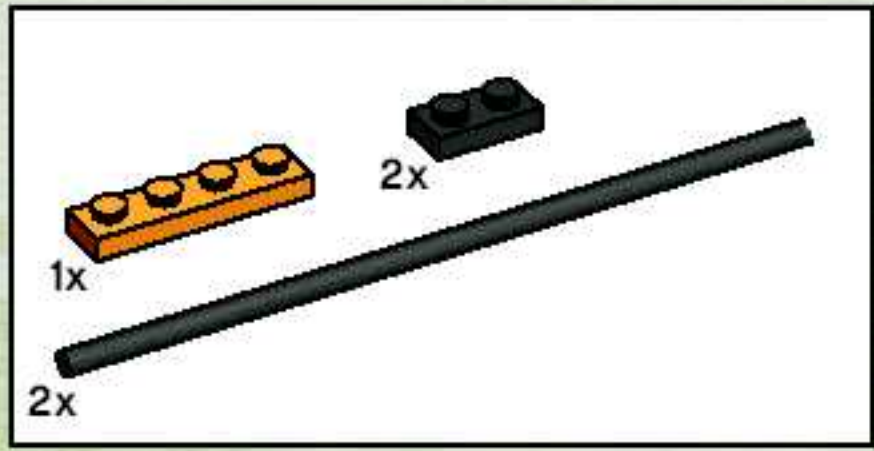




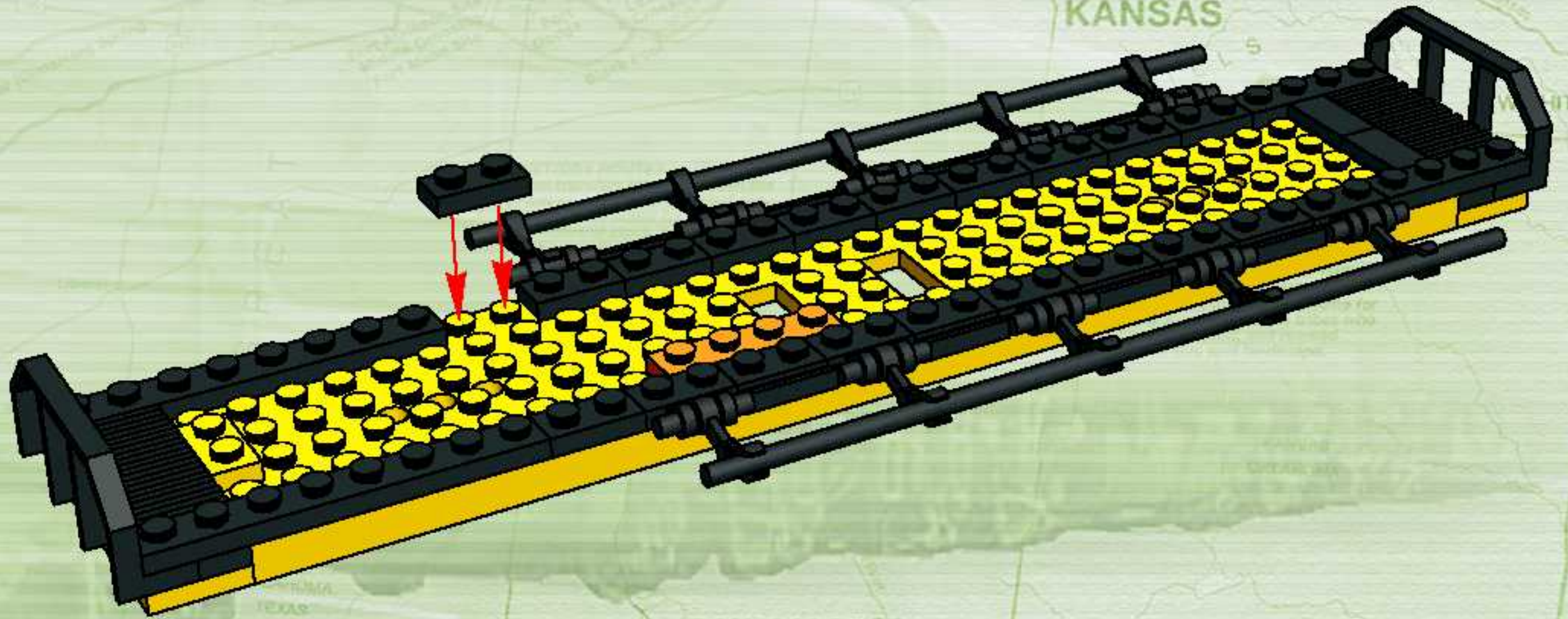
6

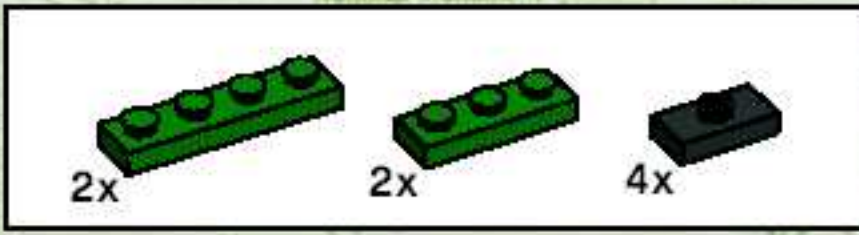


6

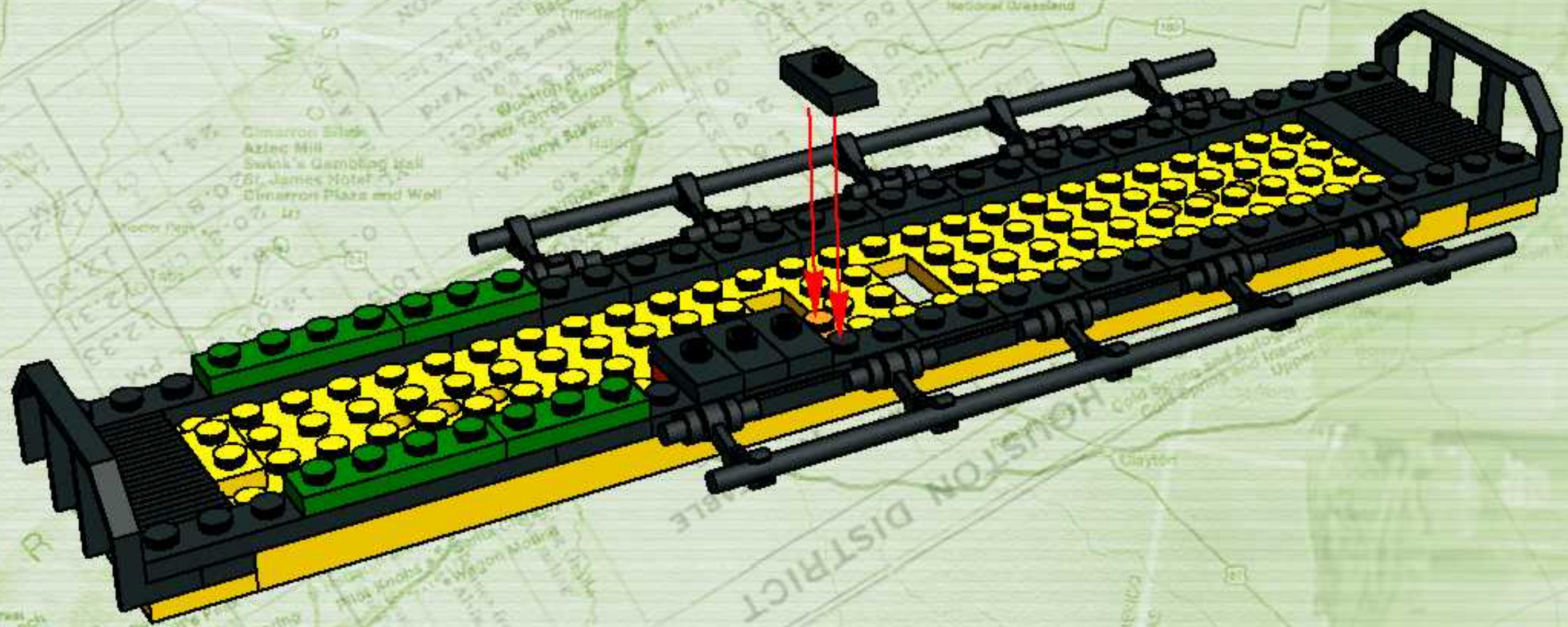


7

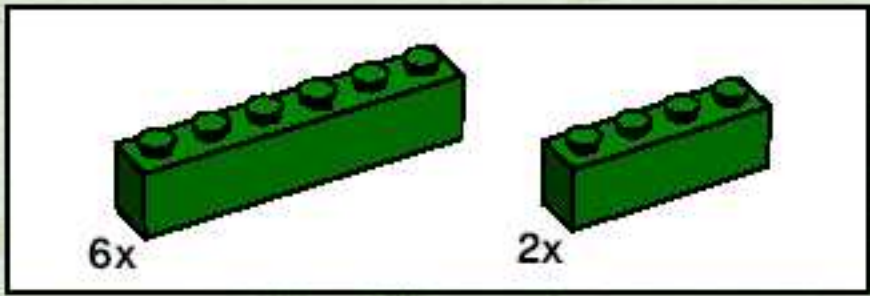




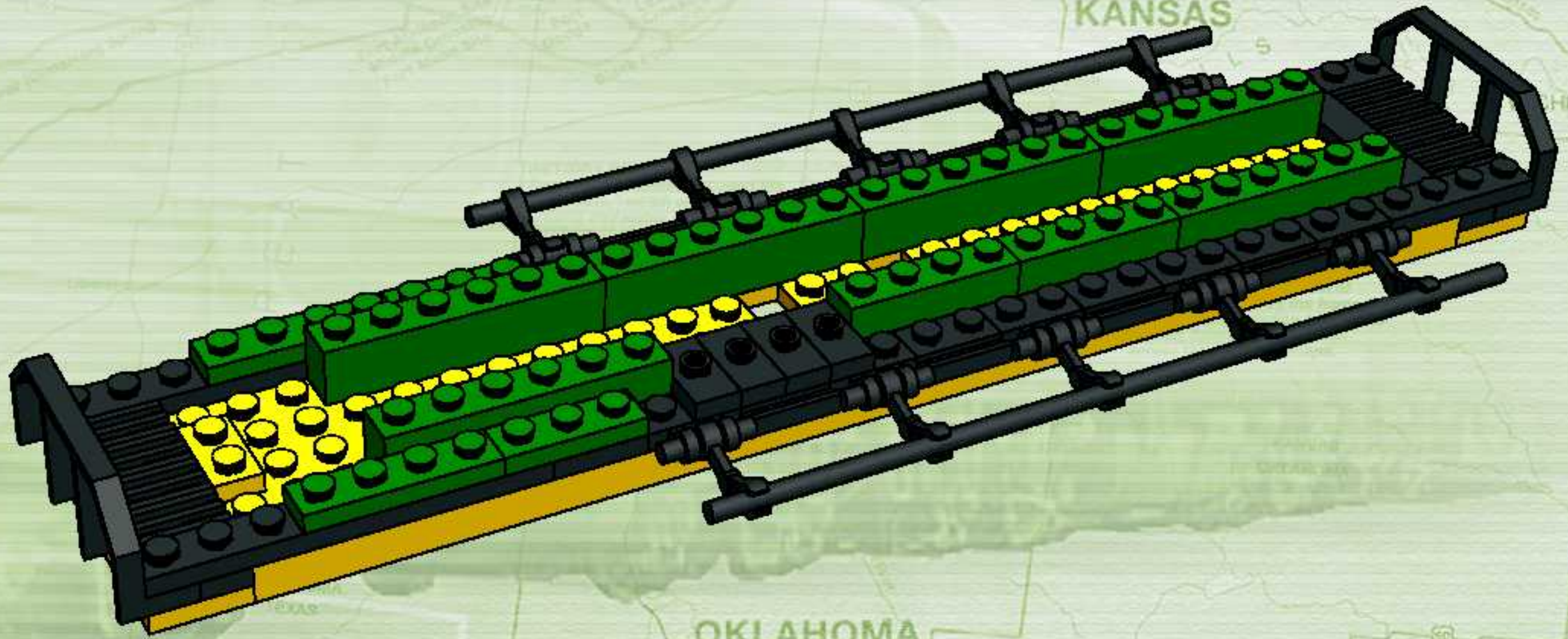
8

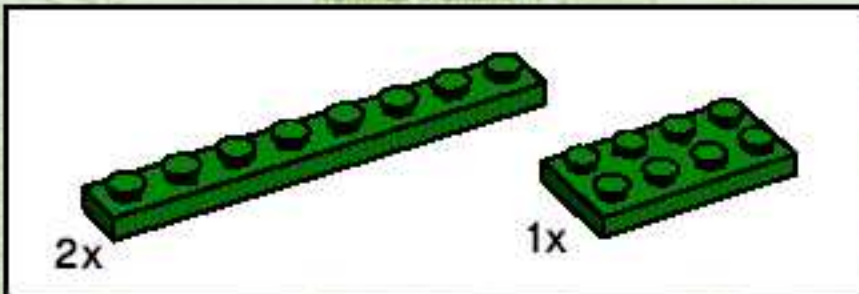




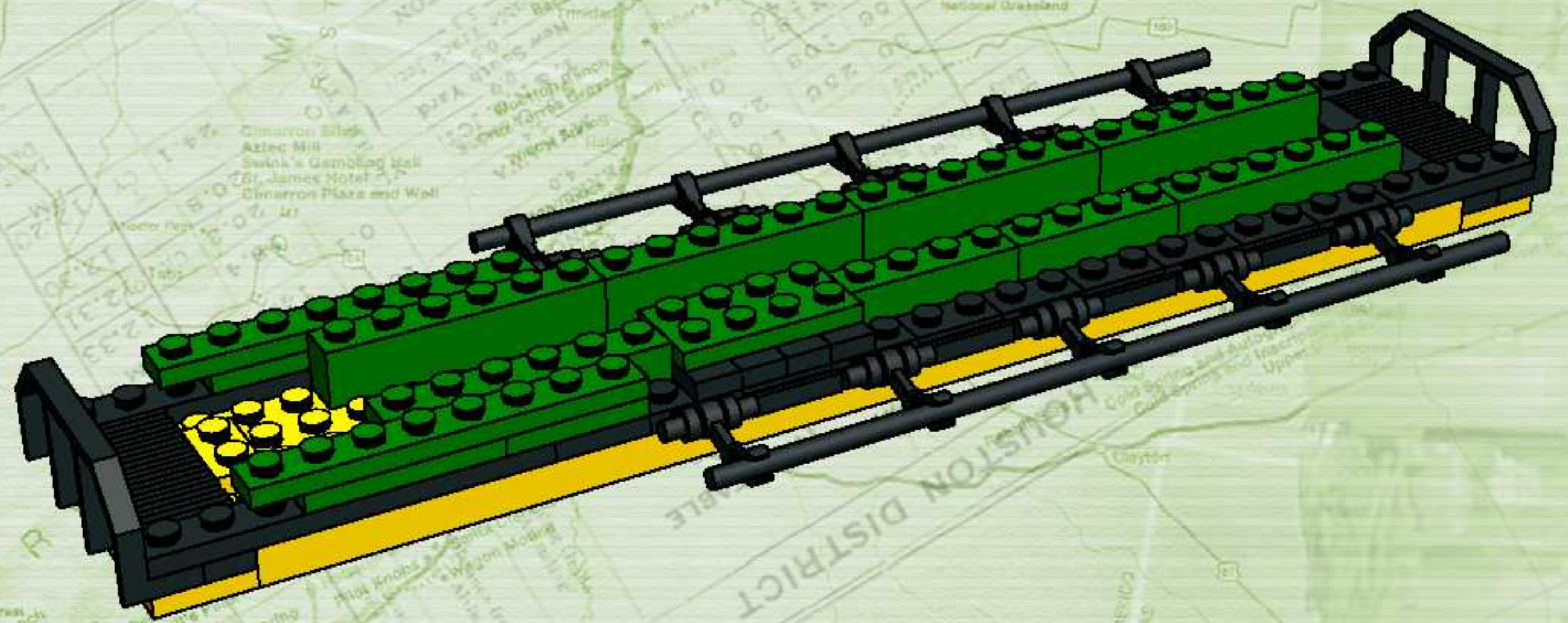


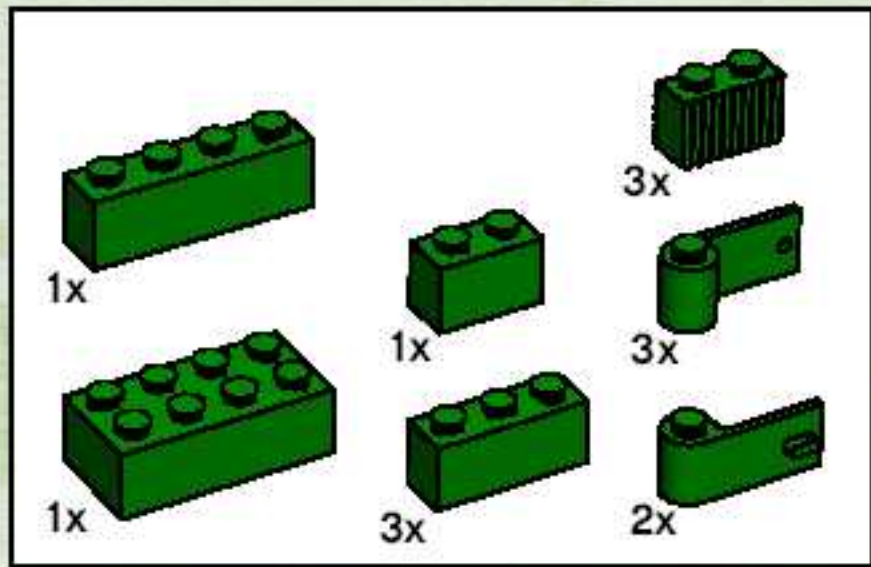
9



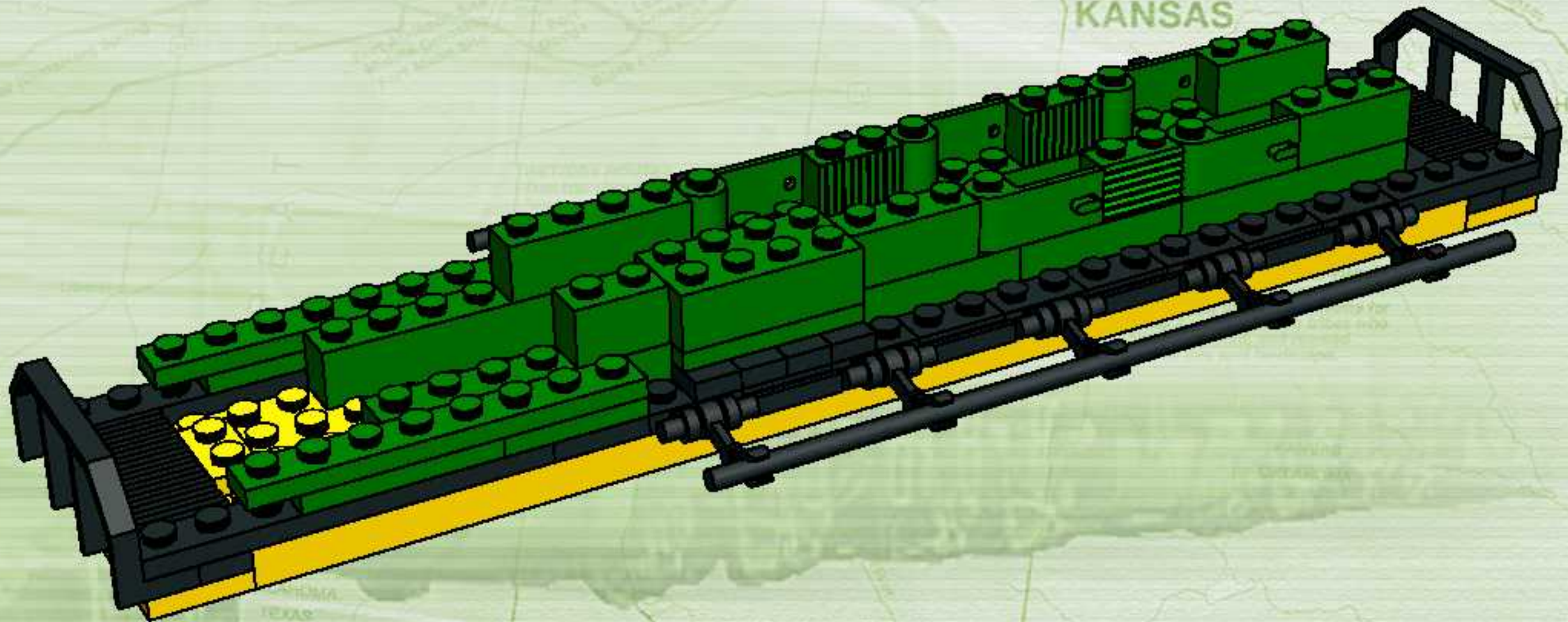


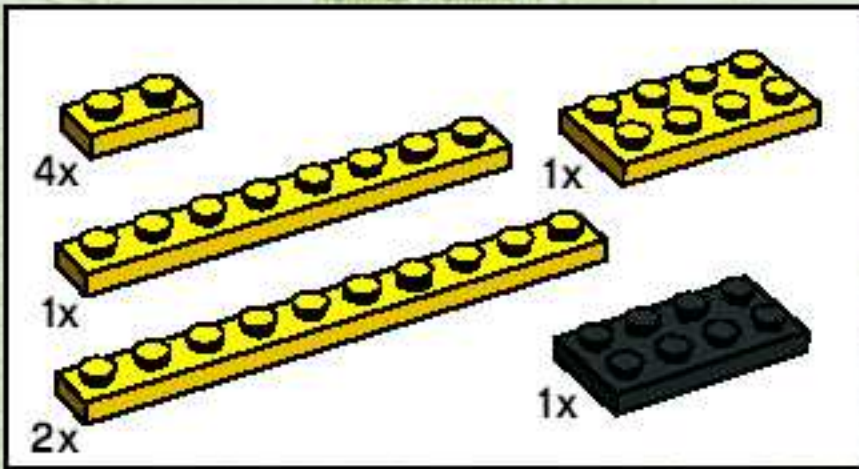
10



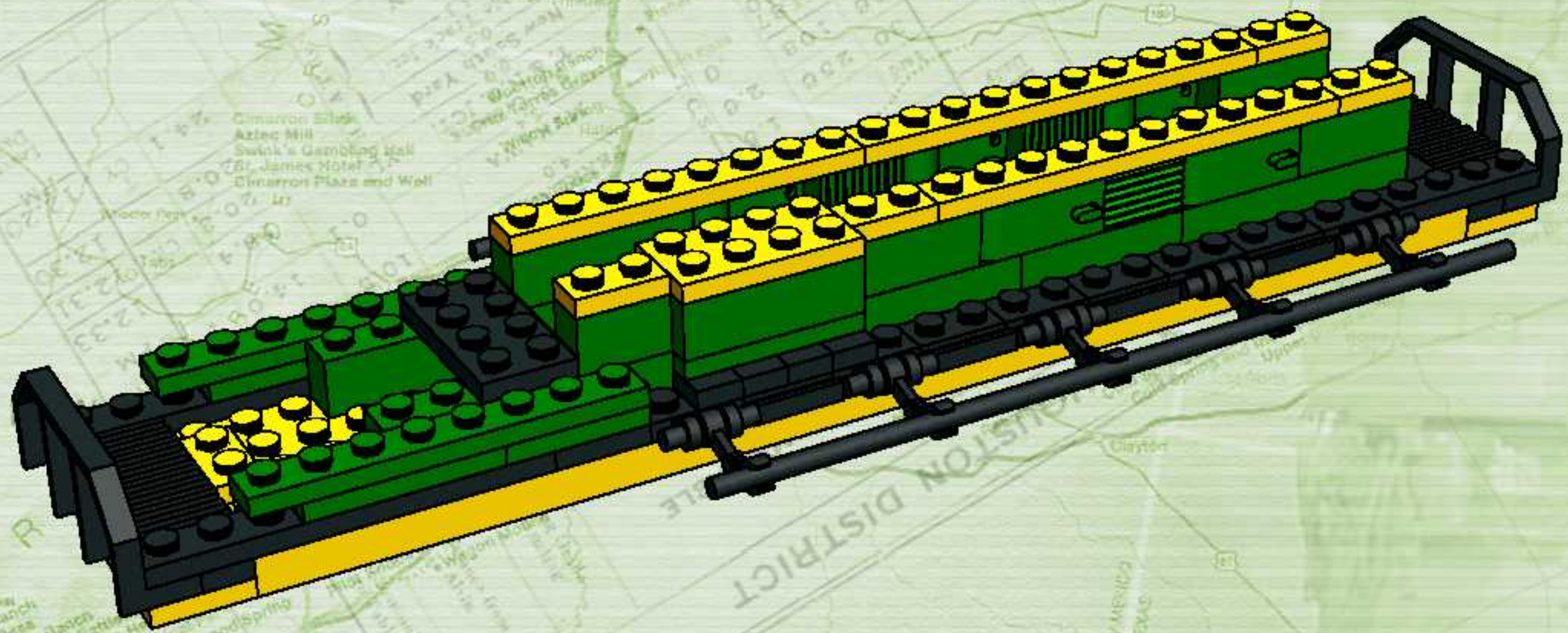


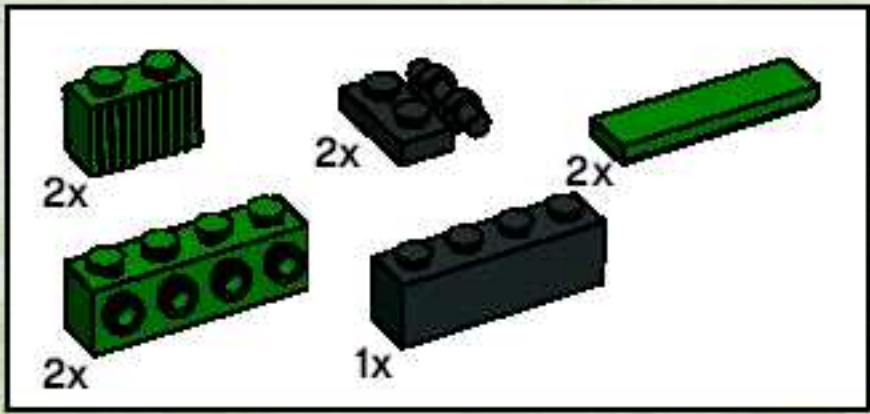
11



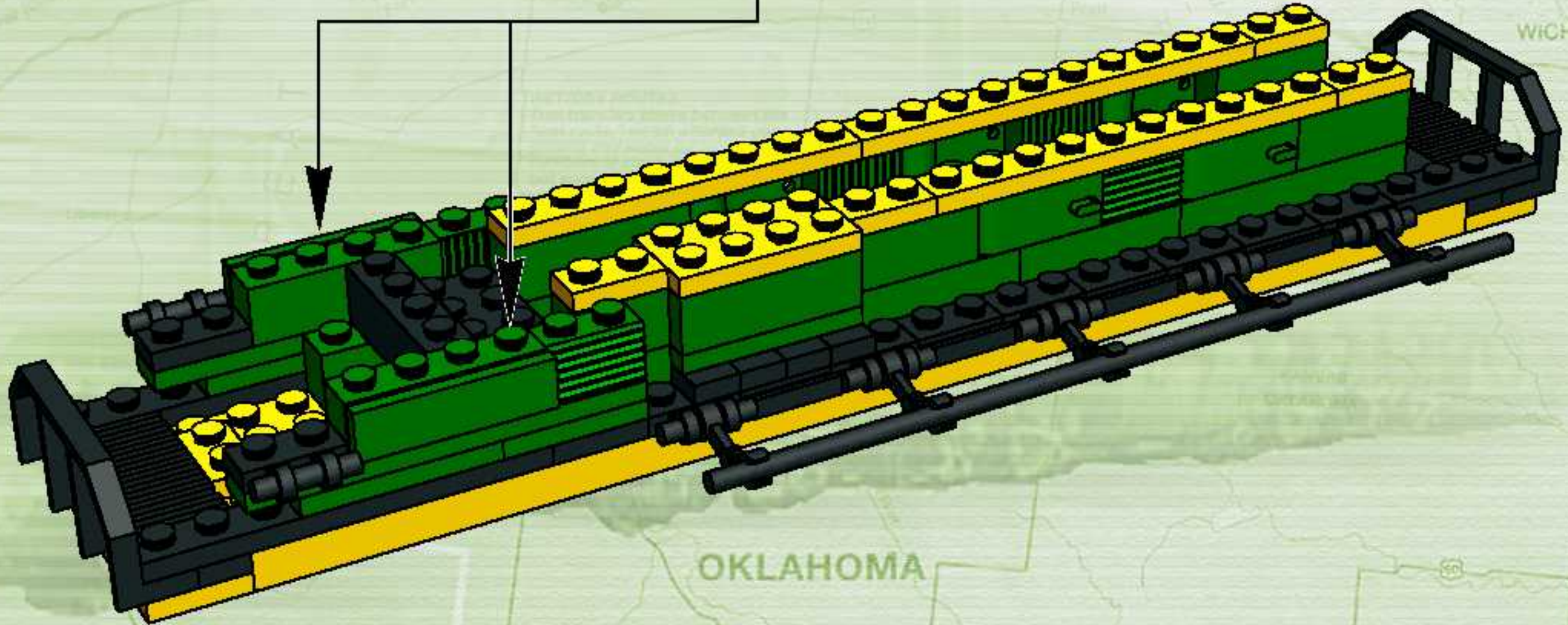
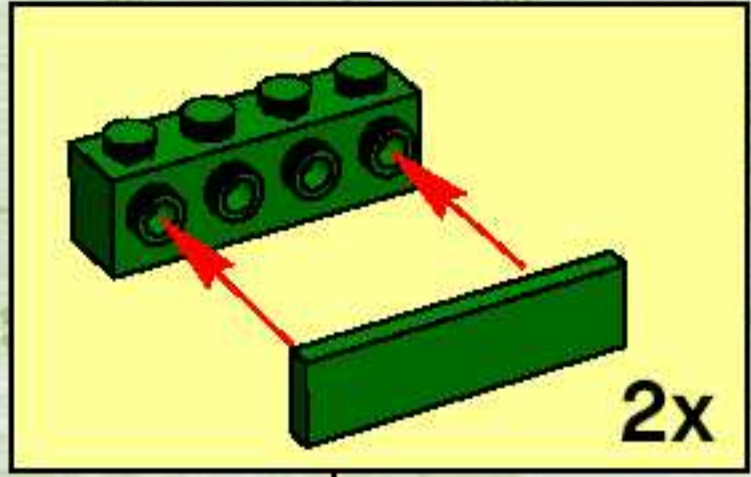


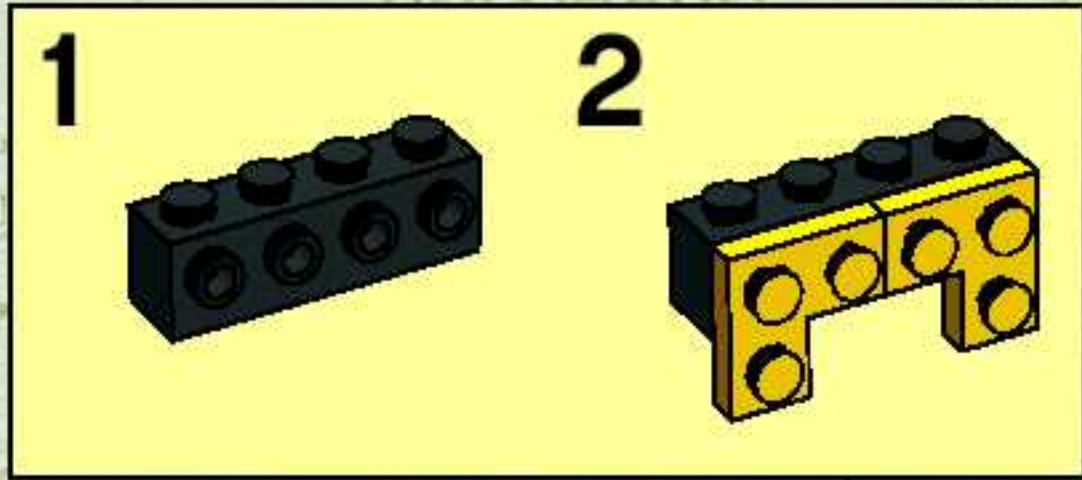
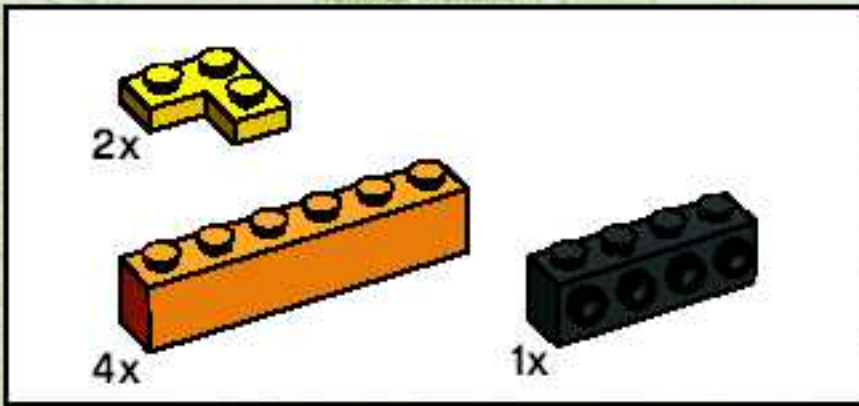
12



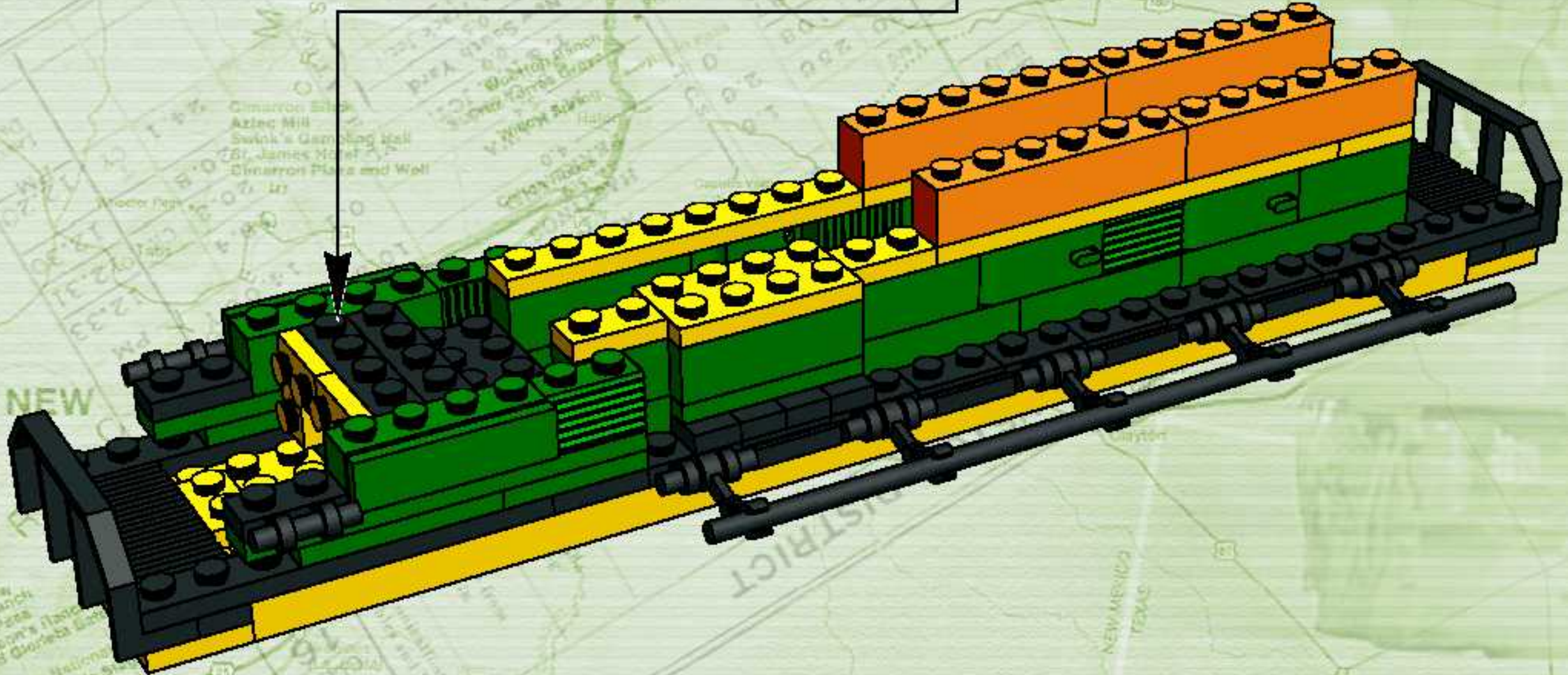


13

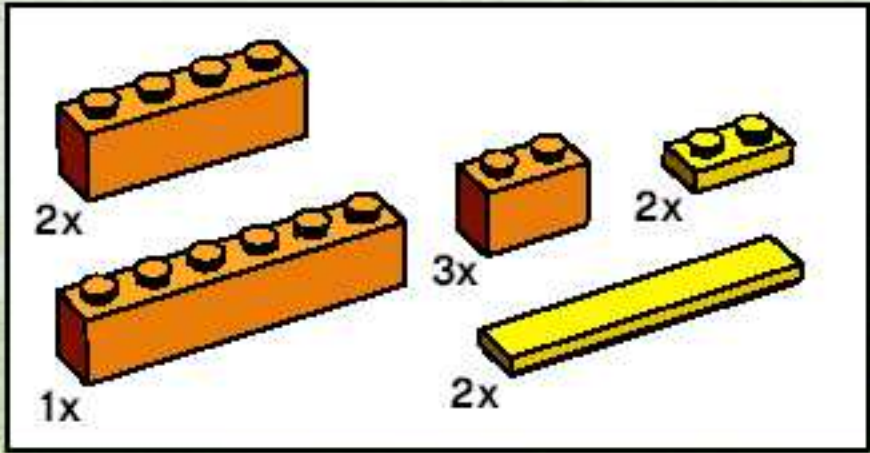




14



**MOUNTAIN ROUTE**  
 Called the Flats or Bent's Fort route during Trail days, it was longer and more difficult than the Common Route, but considered safer.

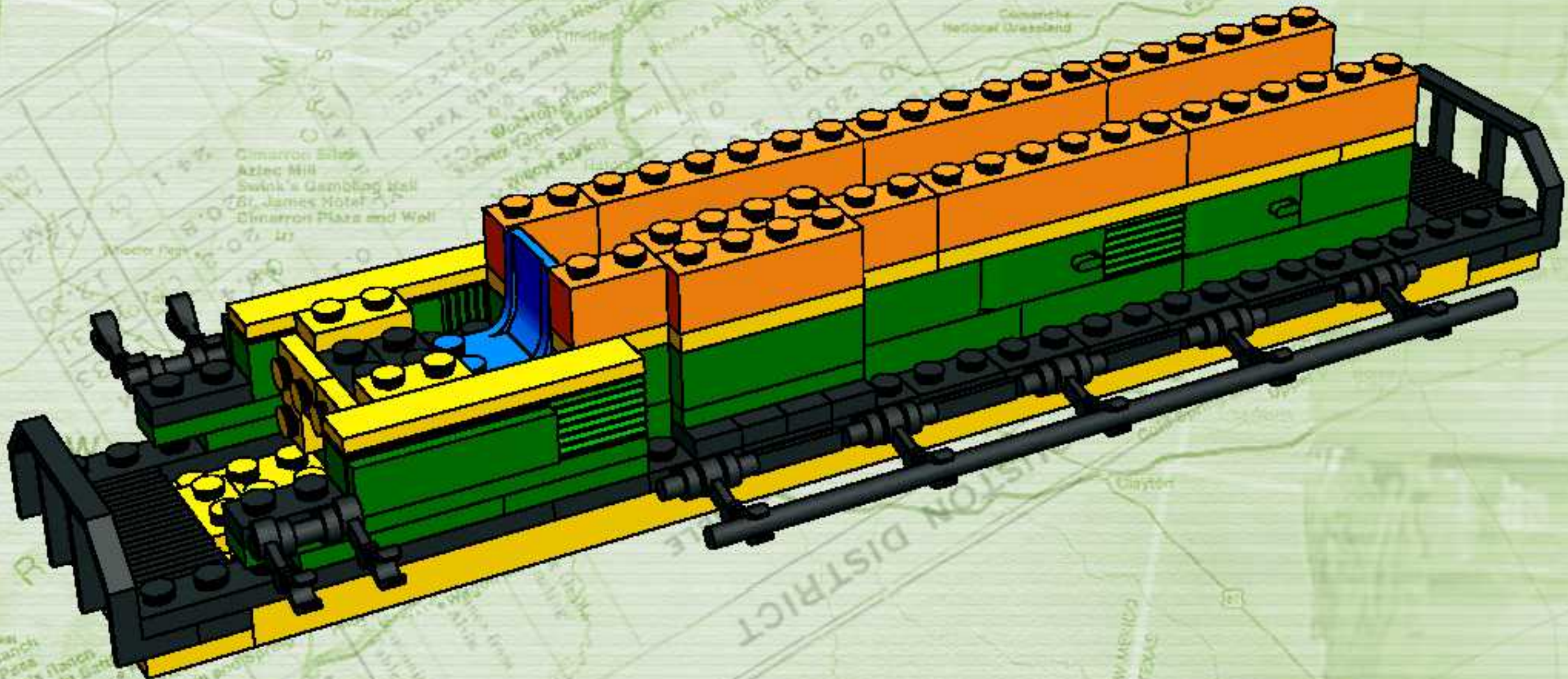


15

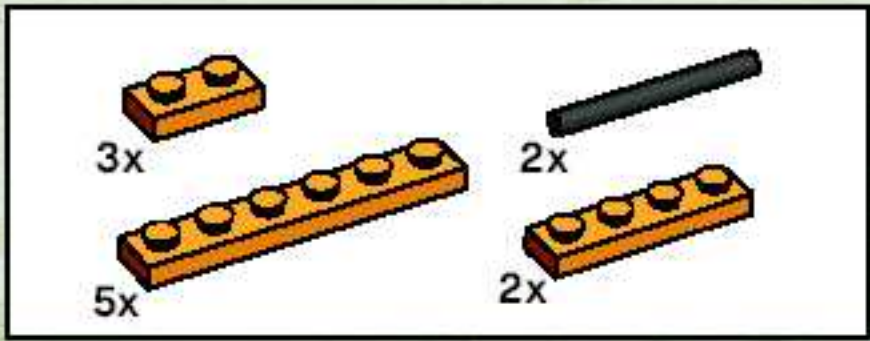




16



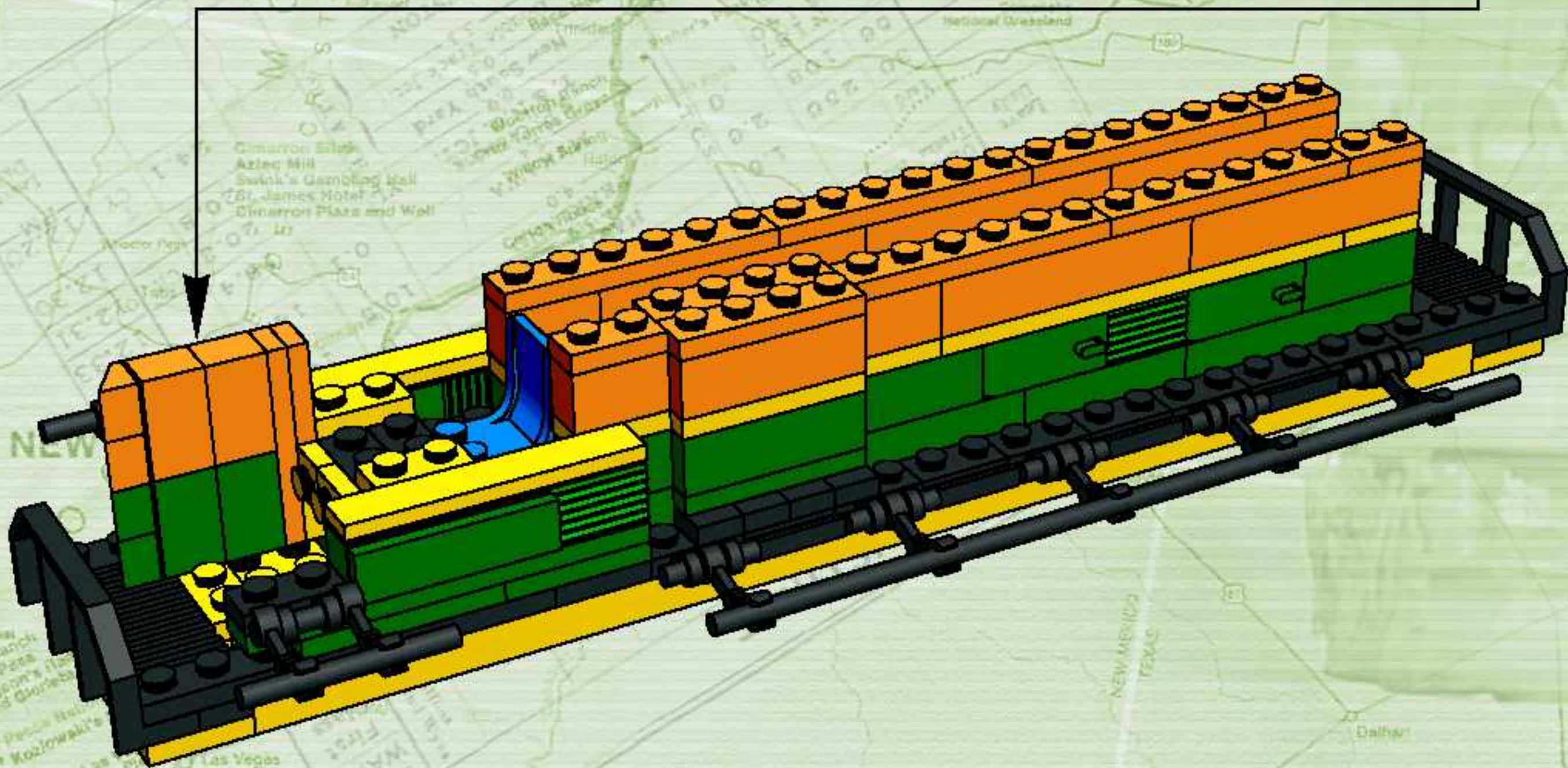
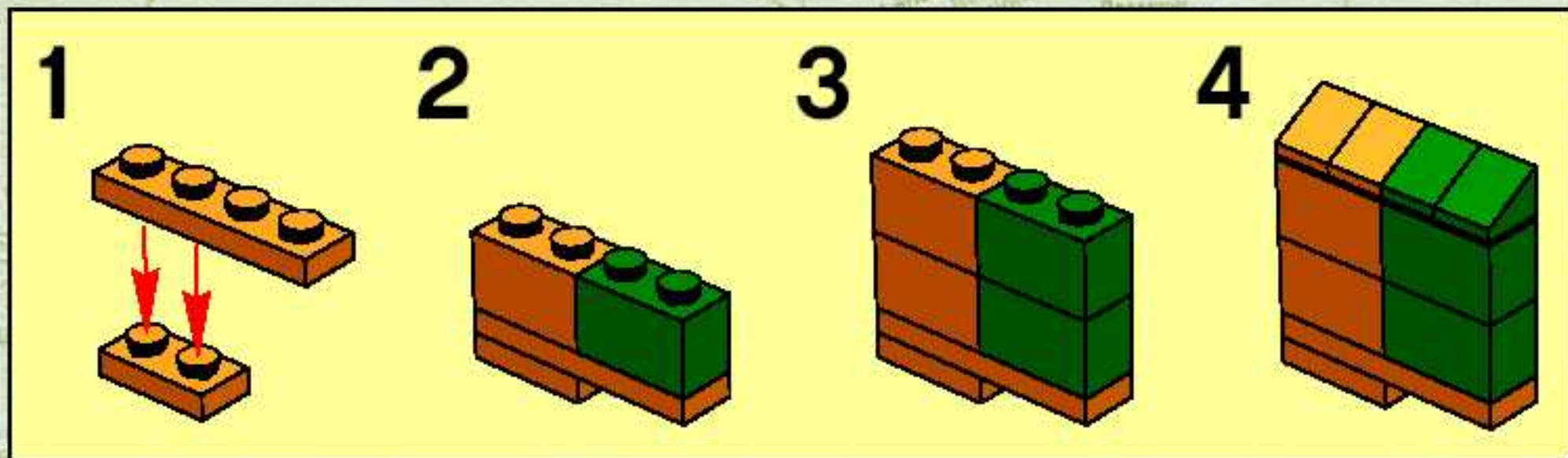
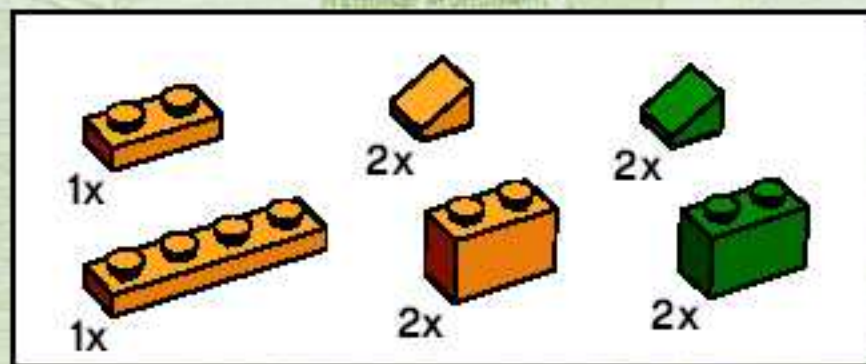


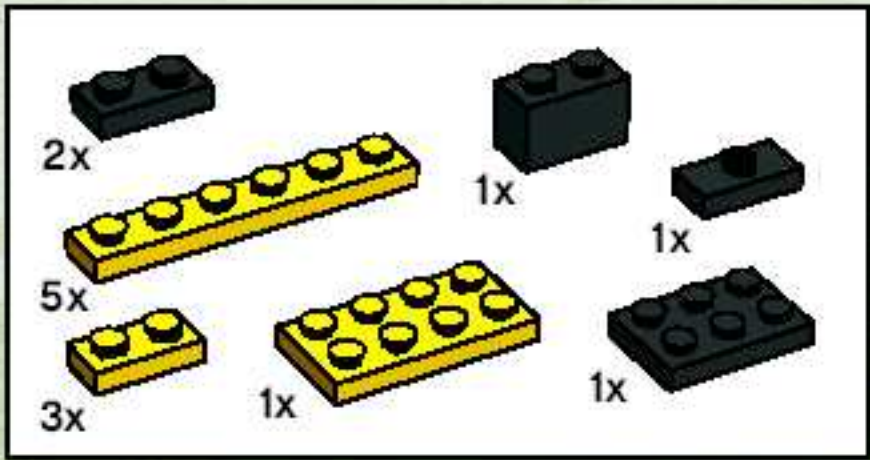


17

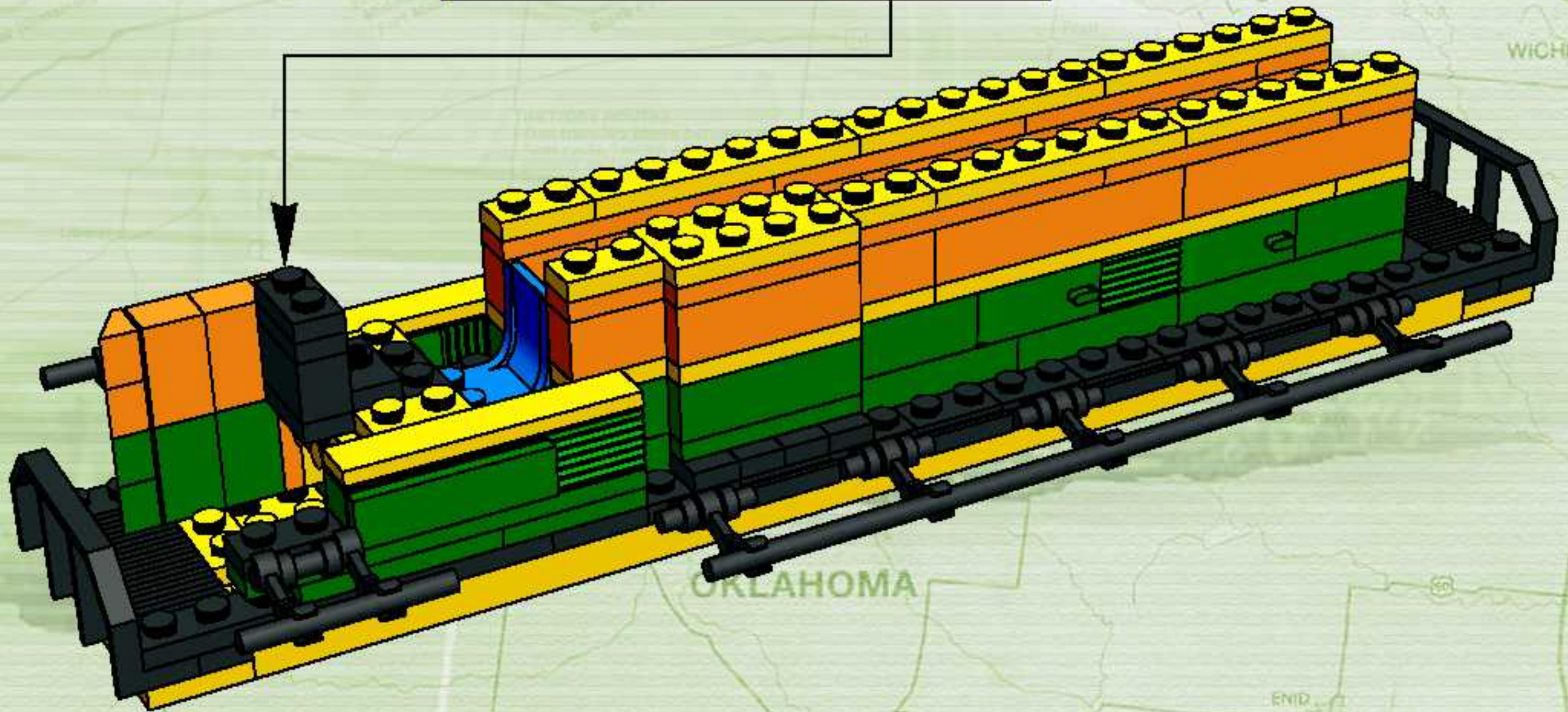
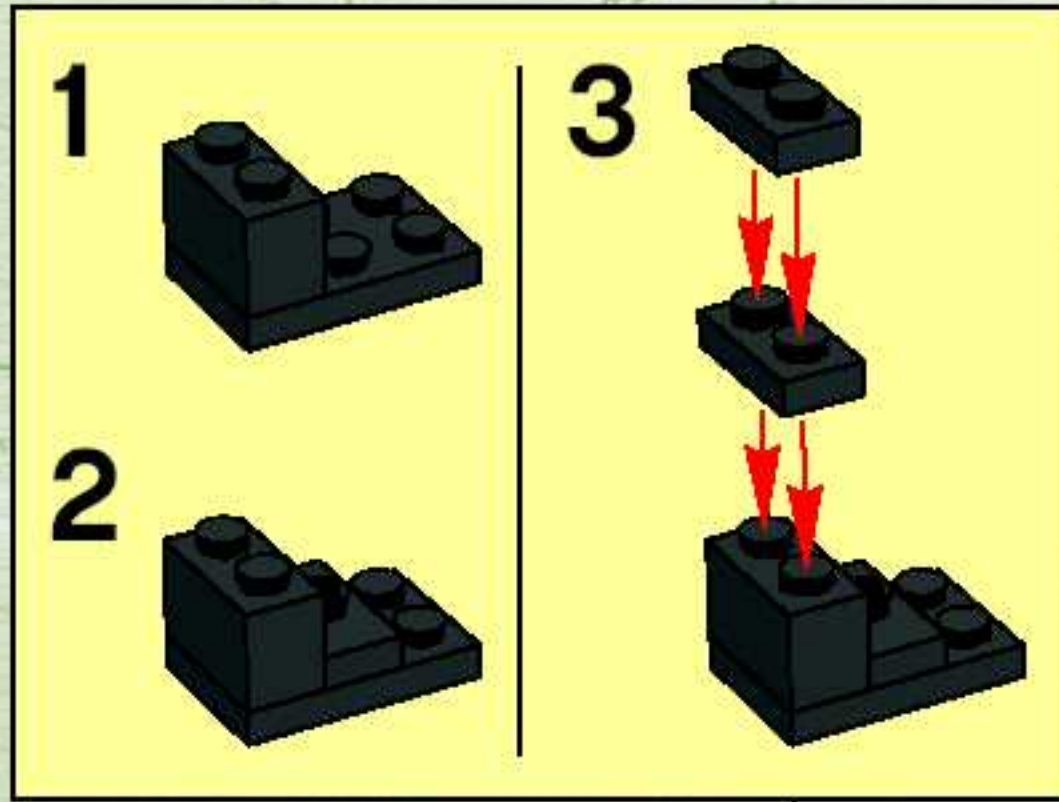


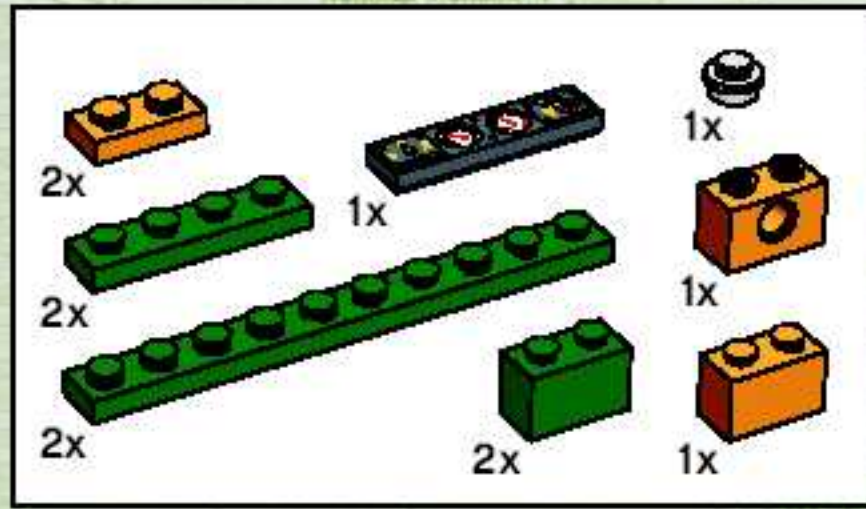
18



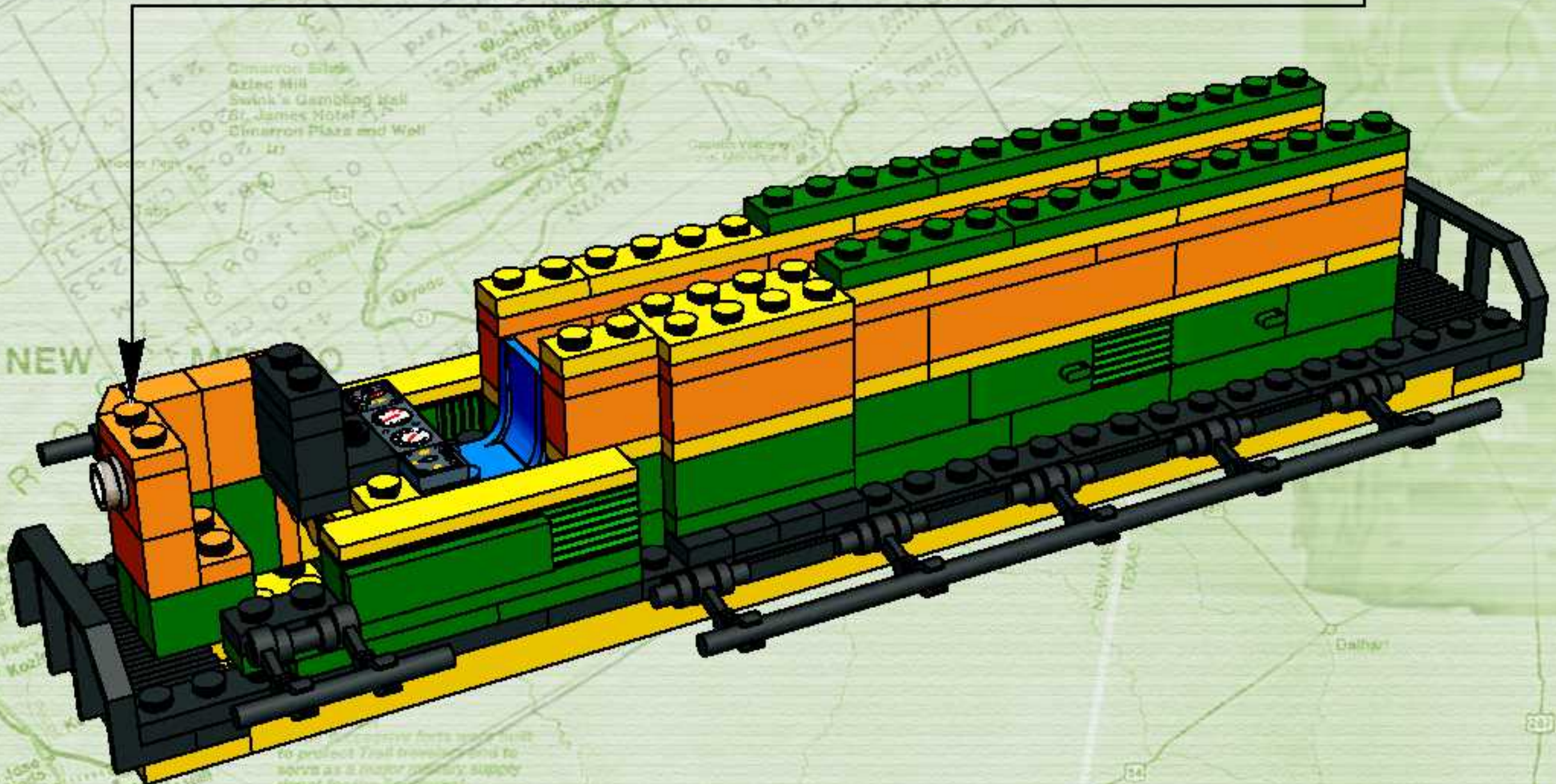
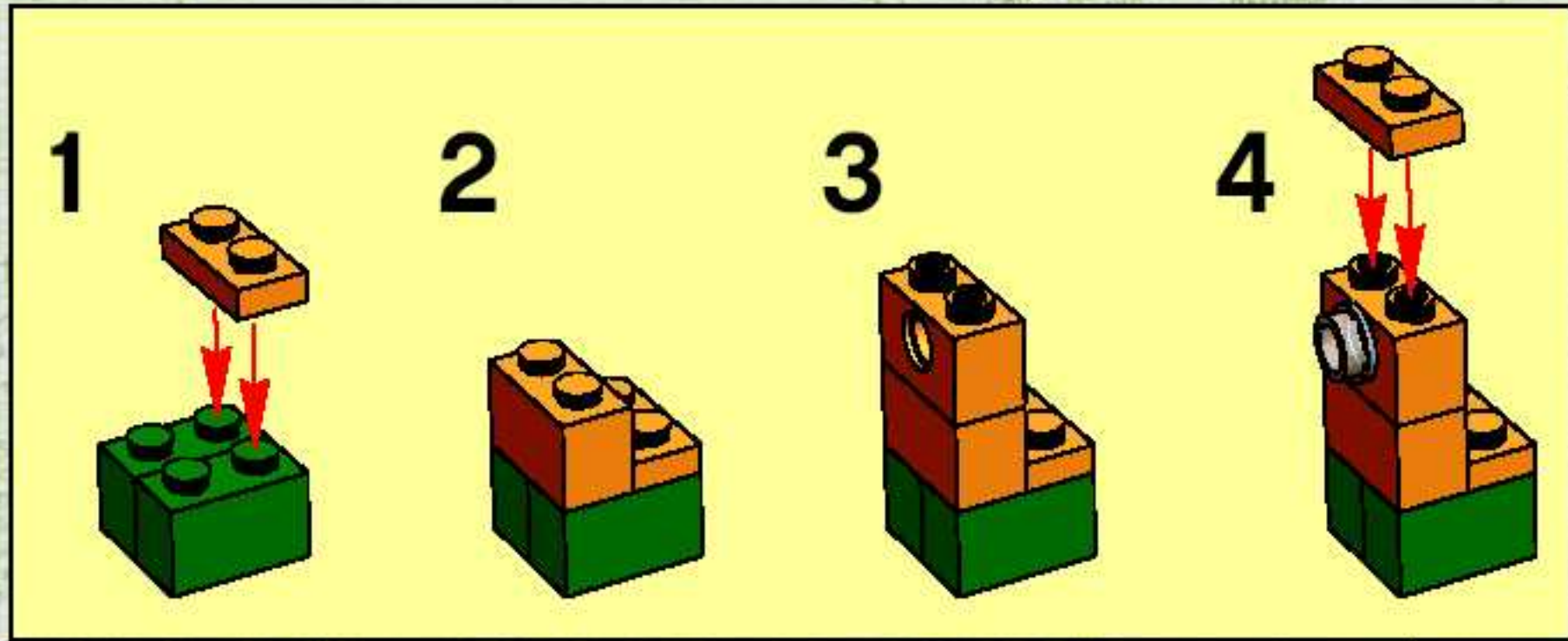


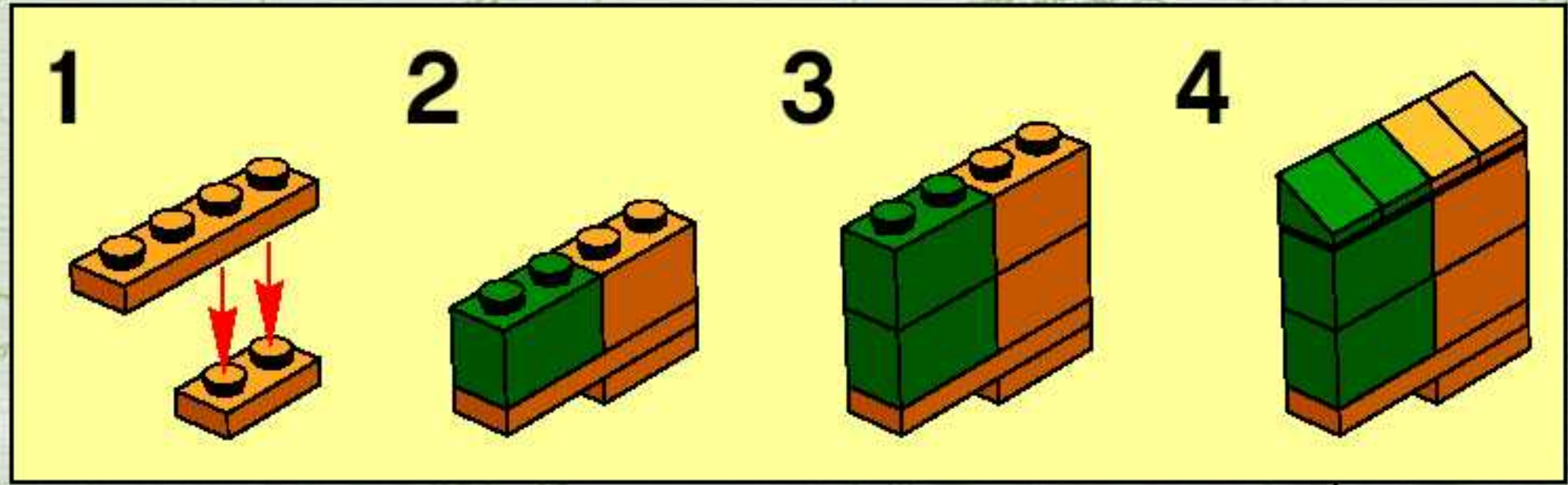
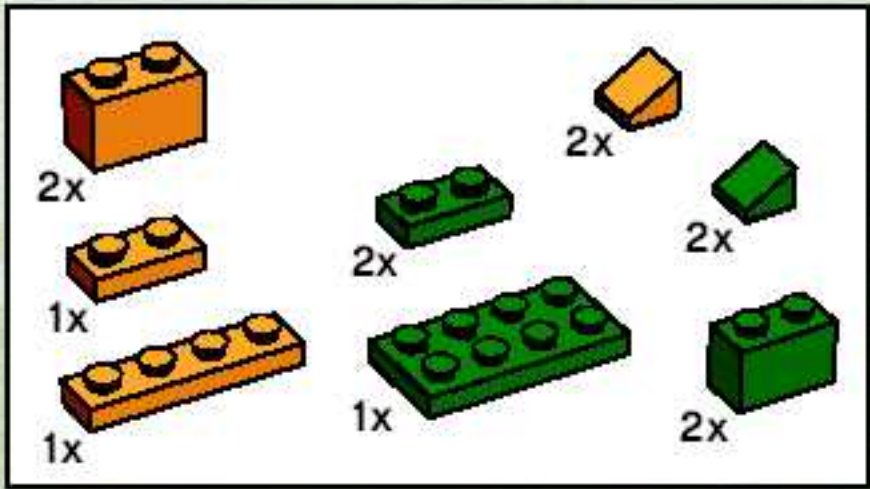
# 19



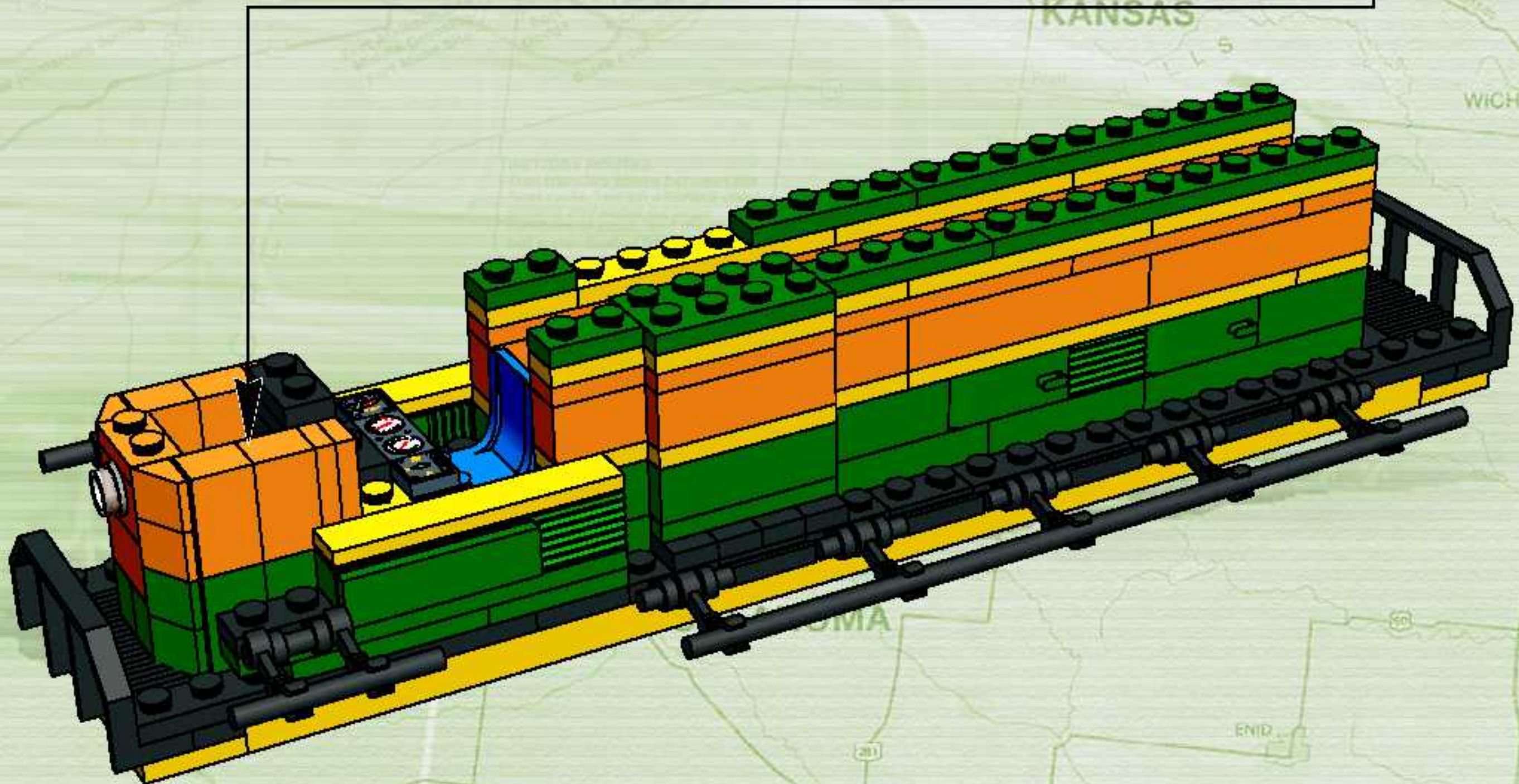


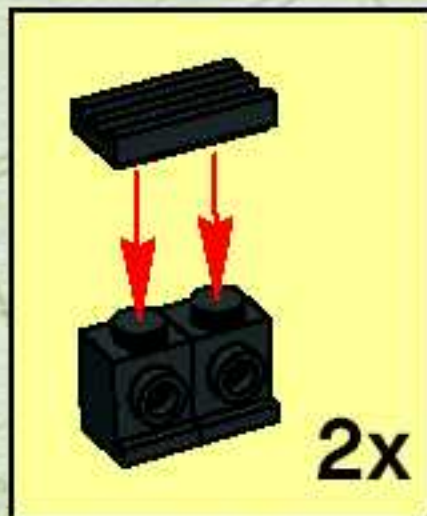
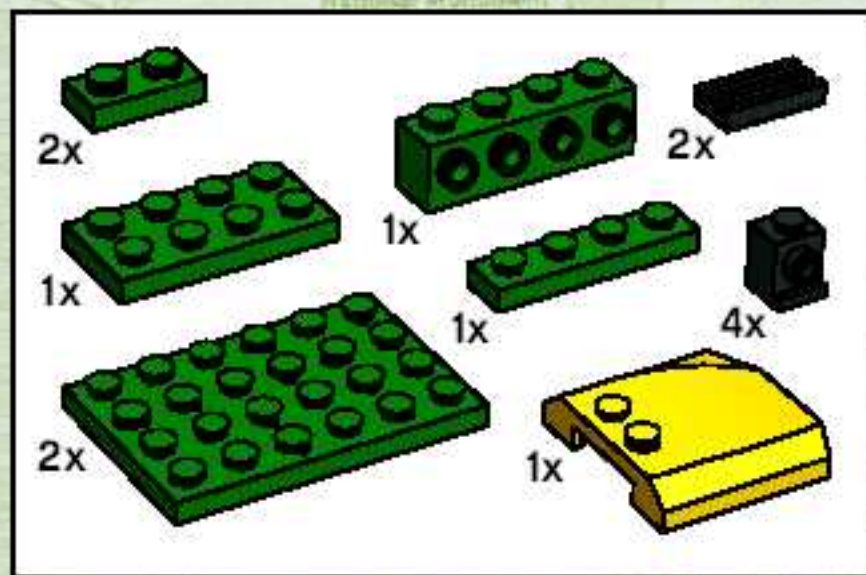
20



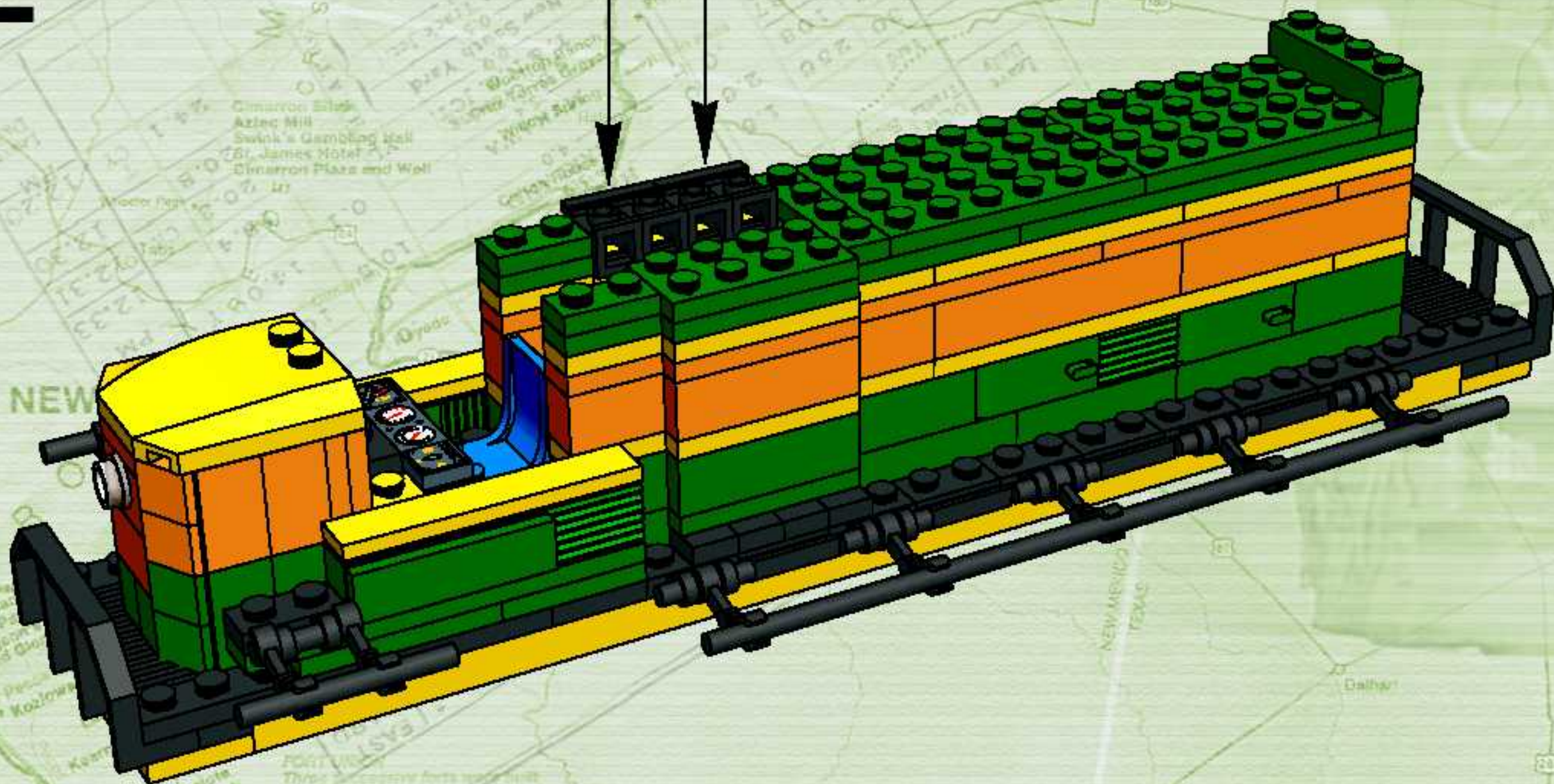


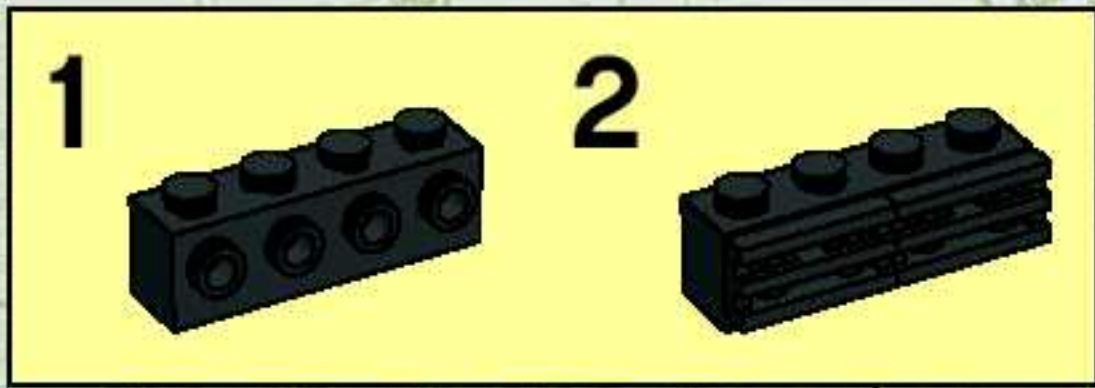
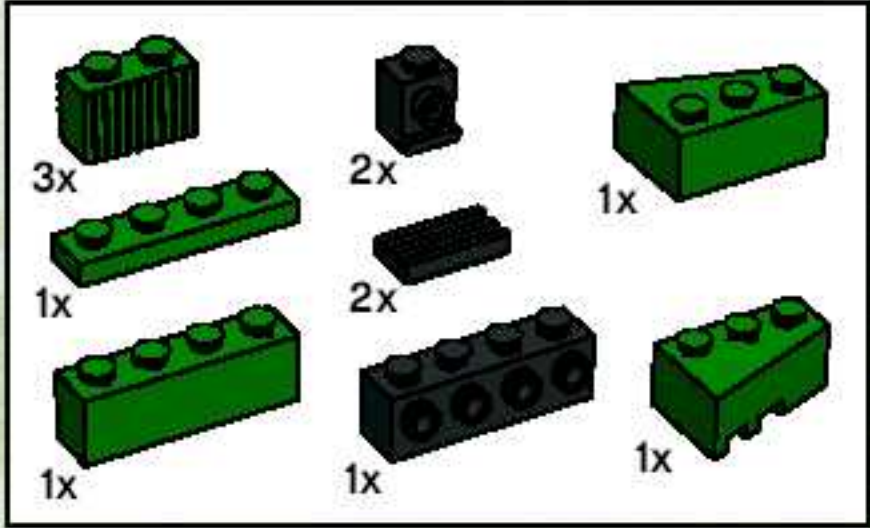
21



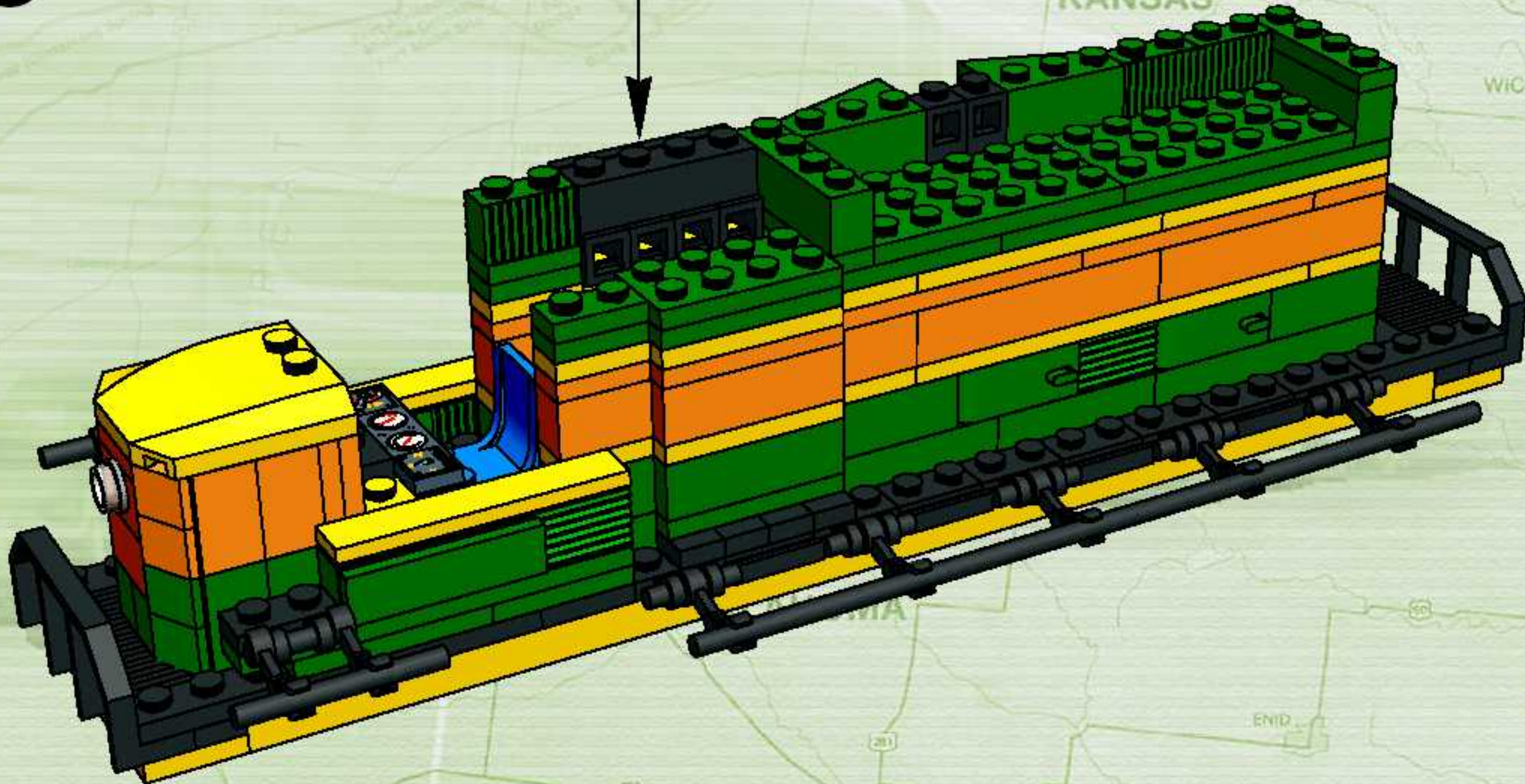


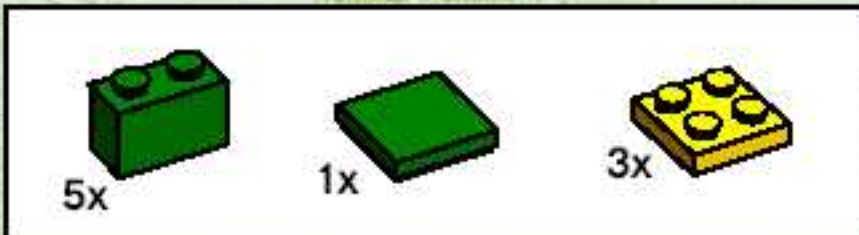
22





**23**

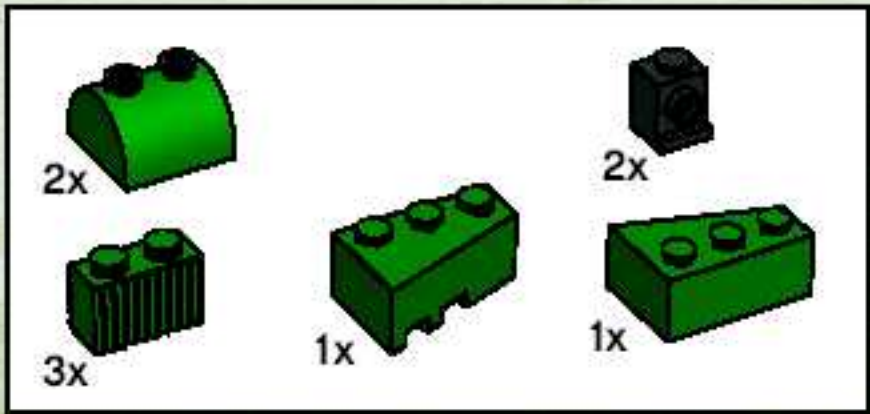




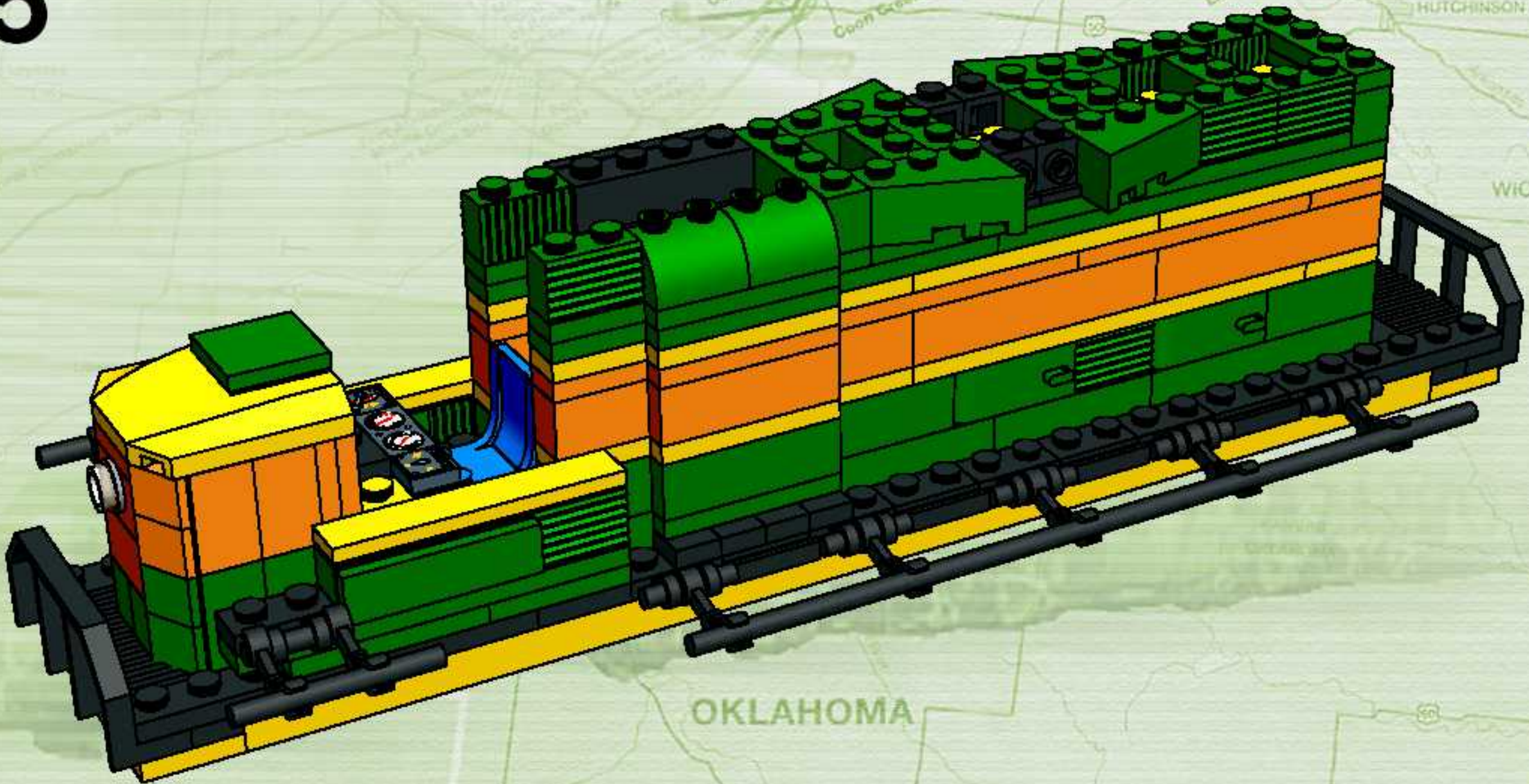
24





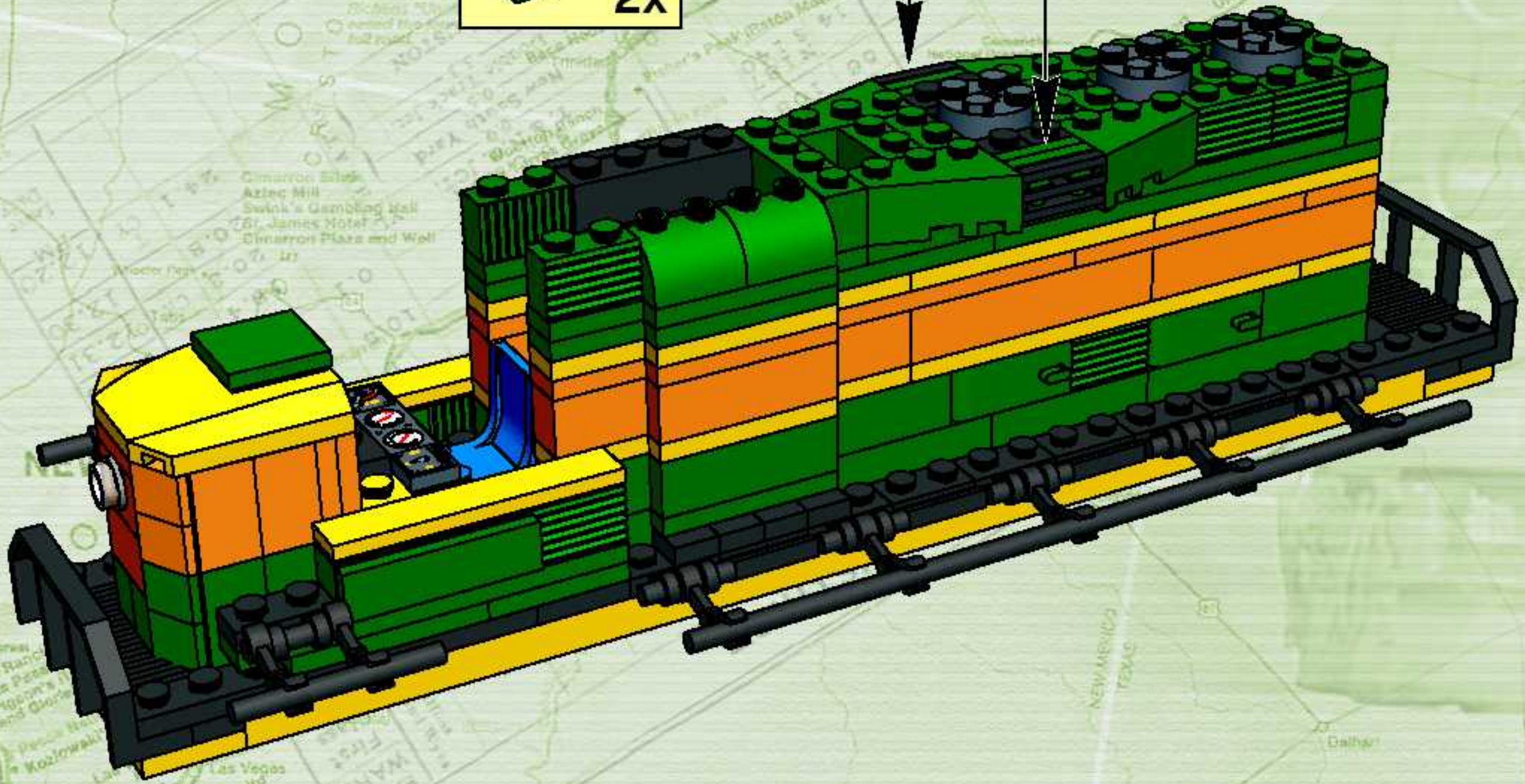
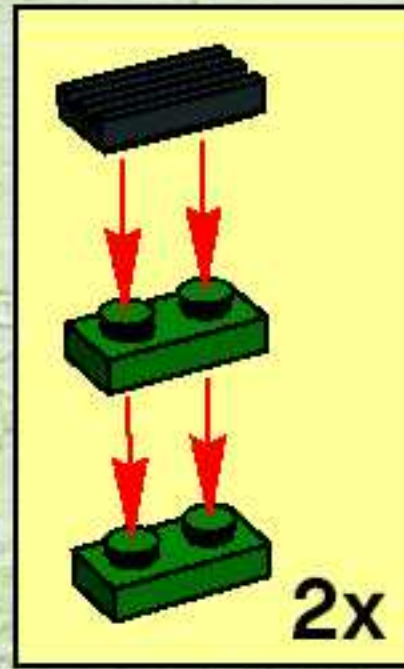


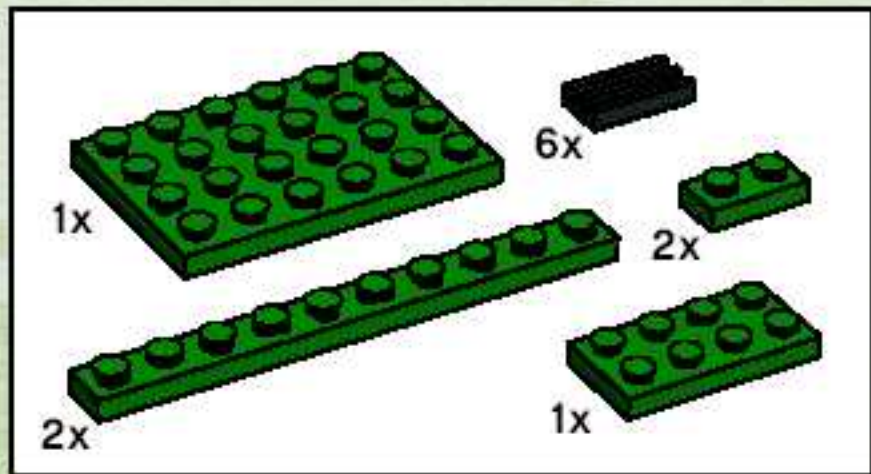
25





26

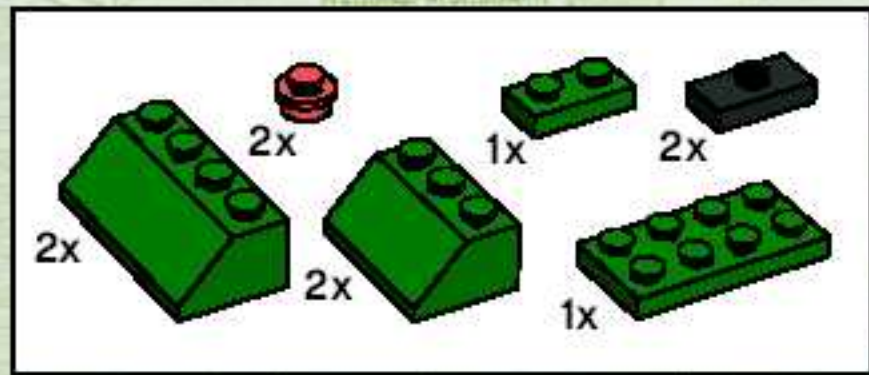




27

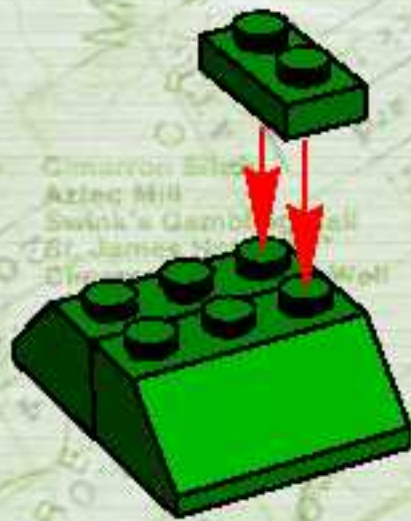


OKLAHOMA



28

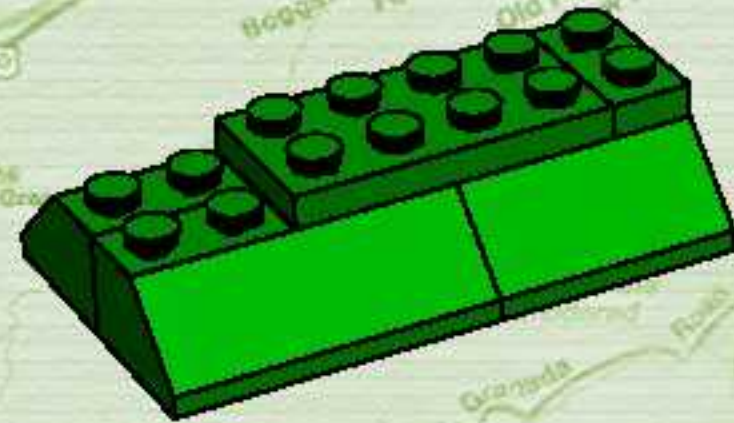
1



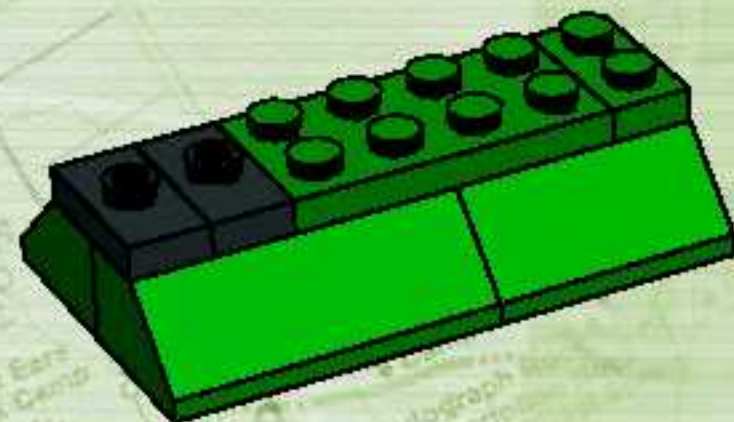
2



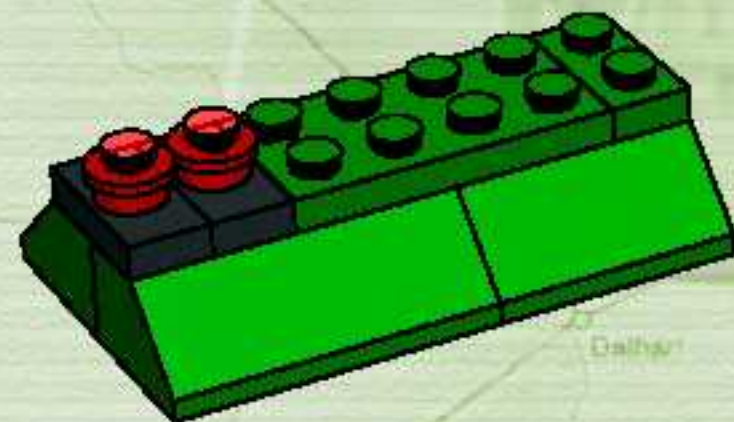
3



4

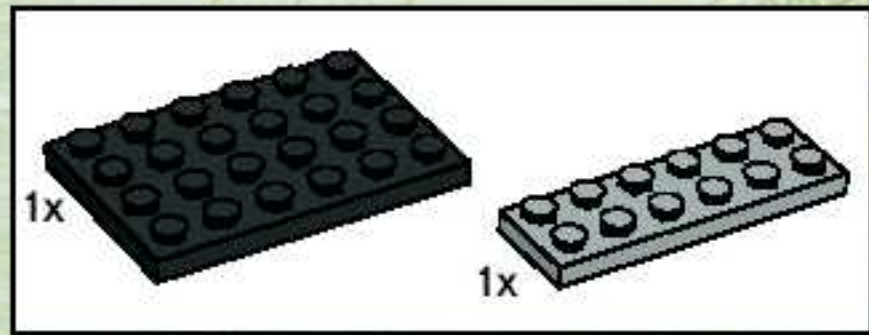


5

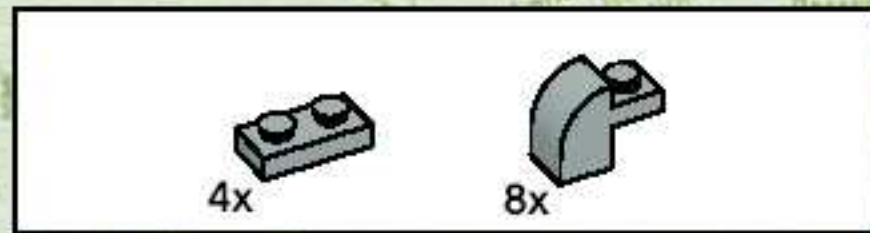




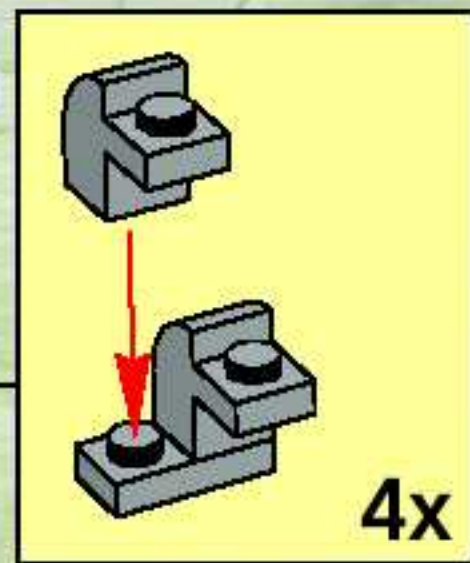
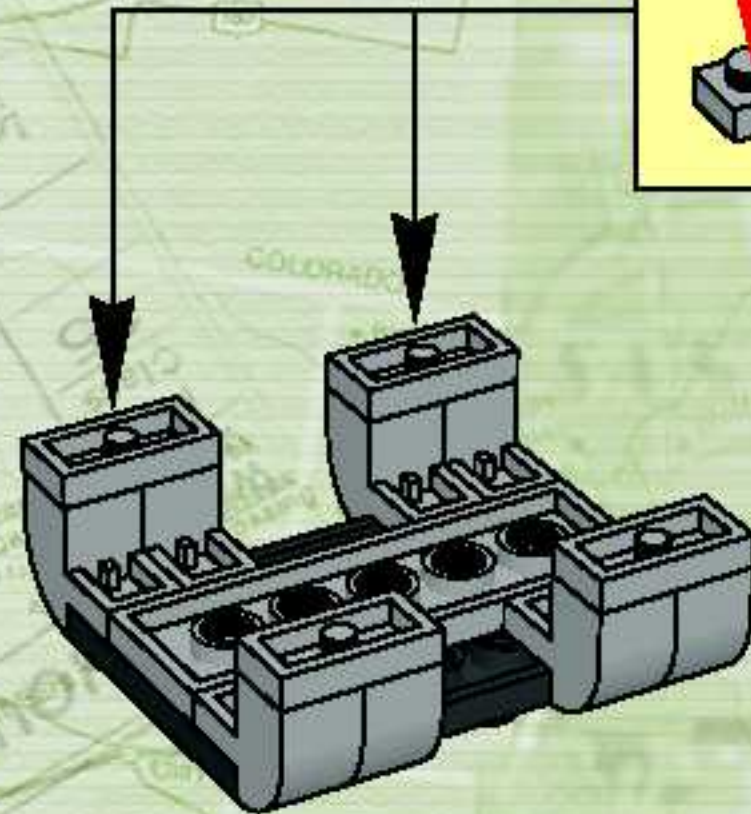
OKLAHOMA



1



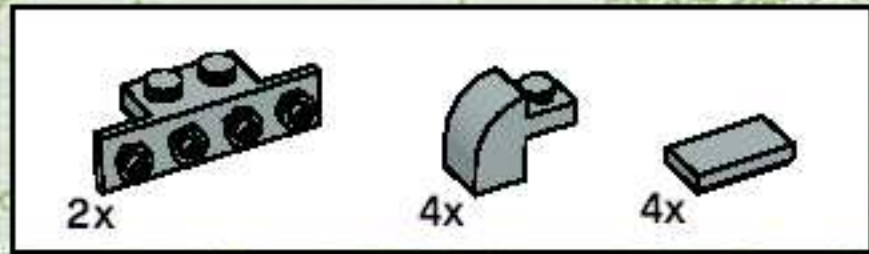
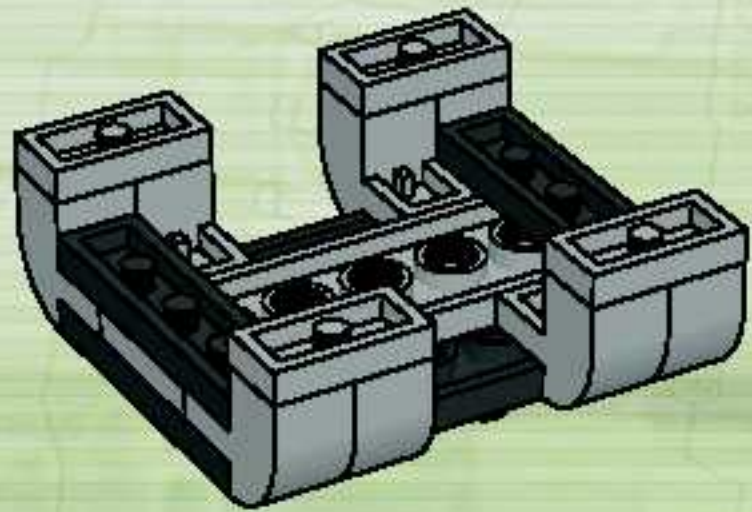
2



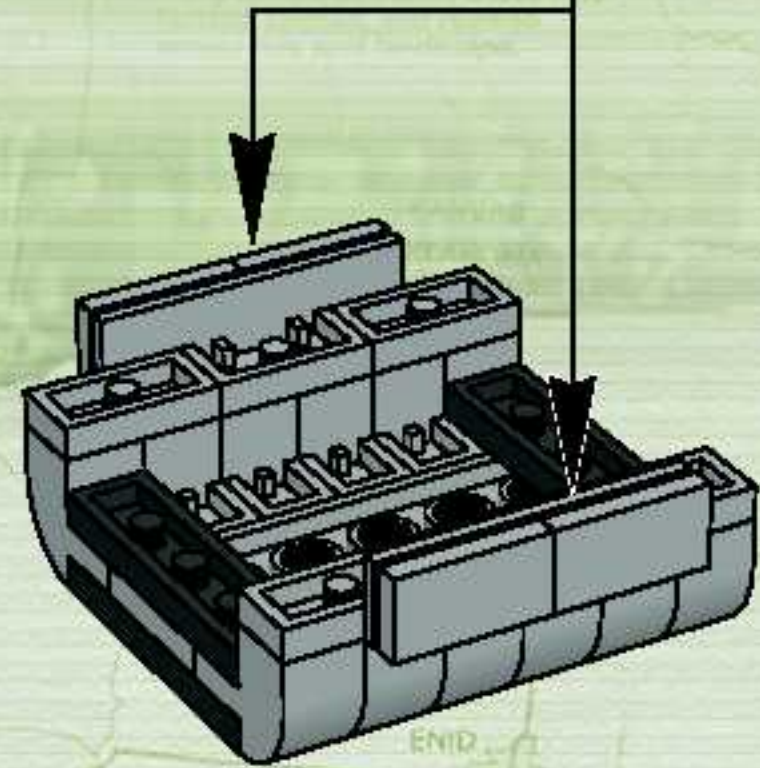
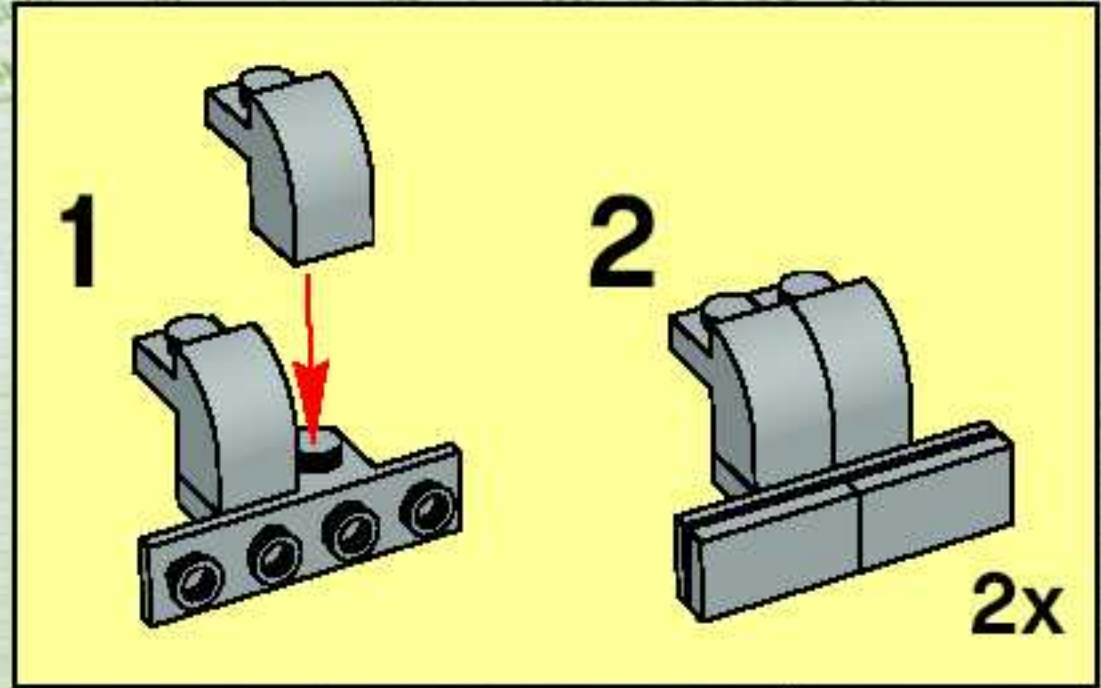
4x

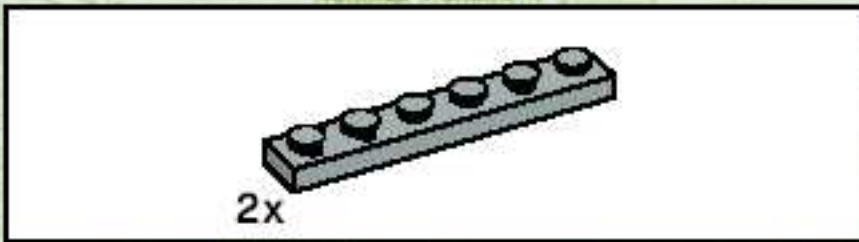


3

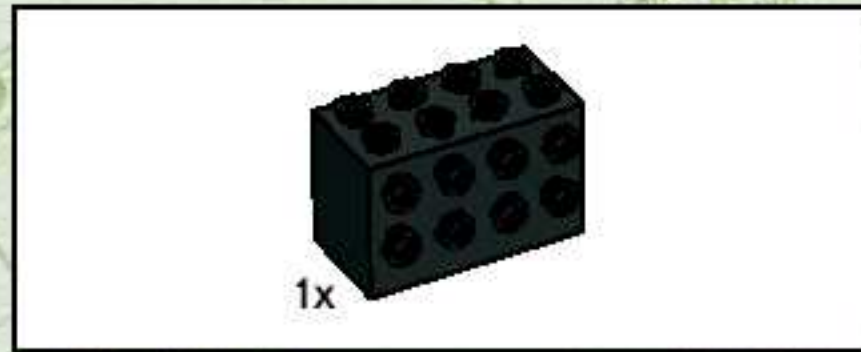
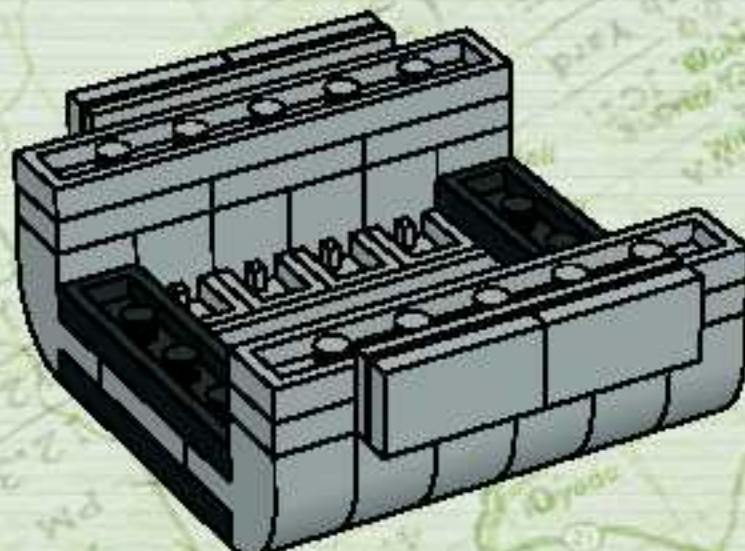


4

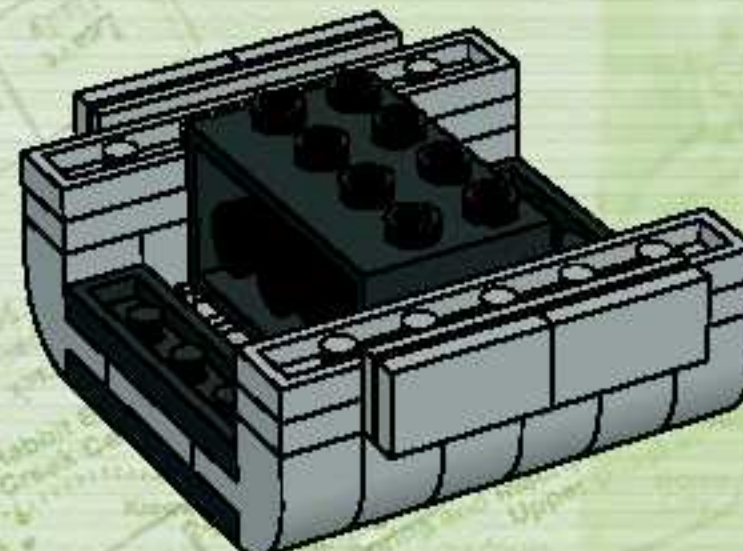




5

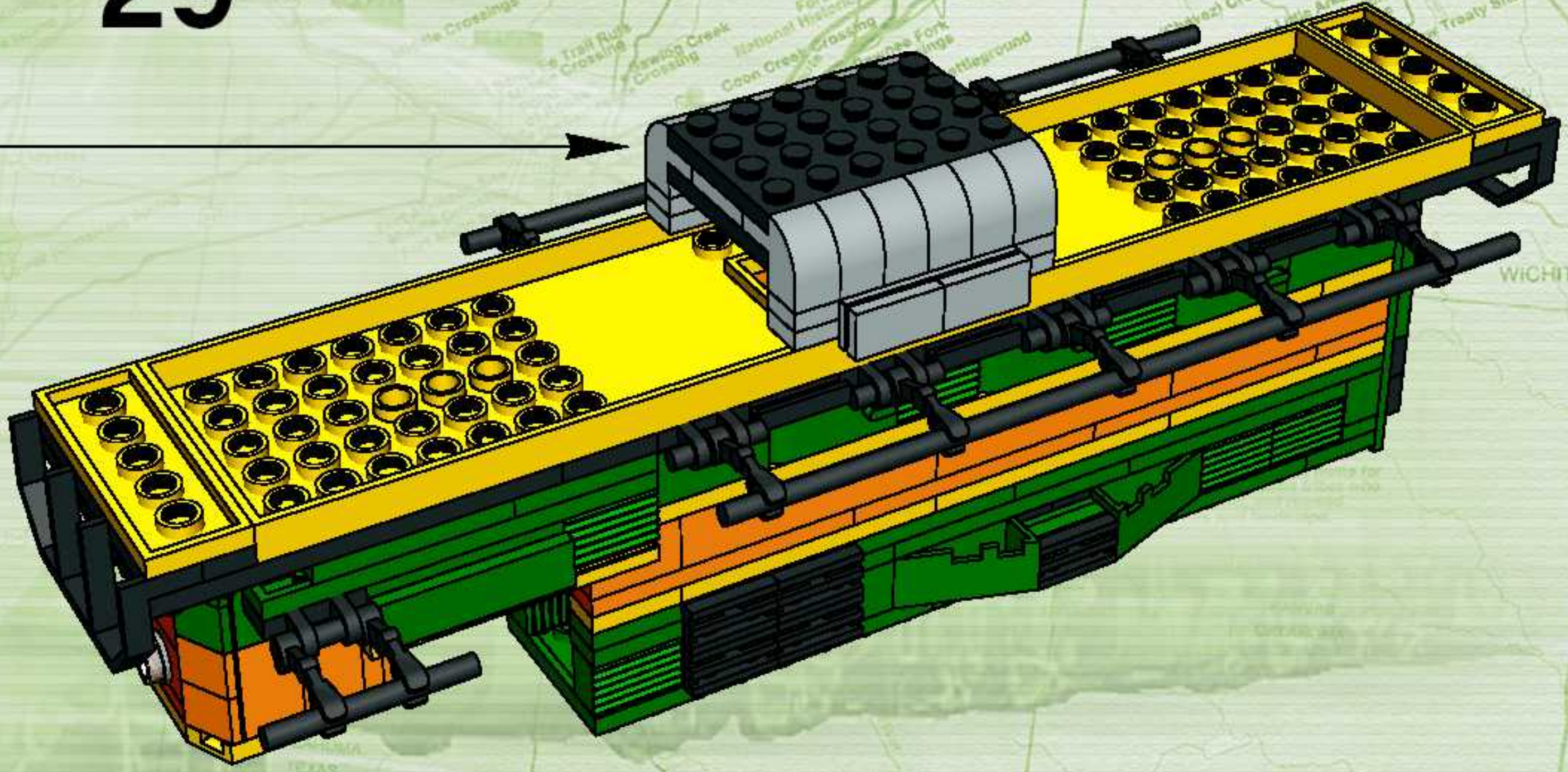


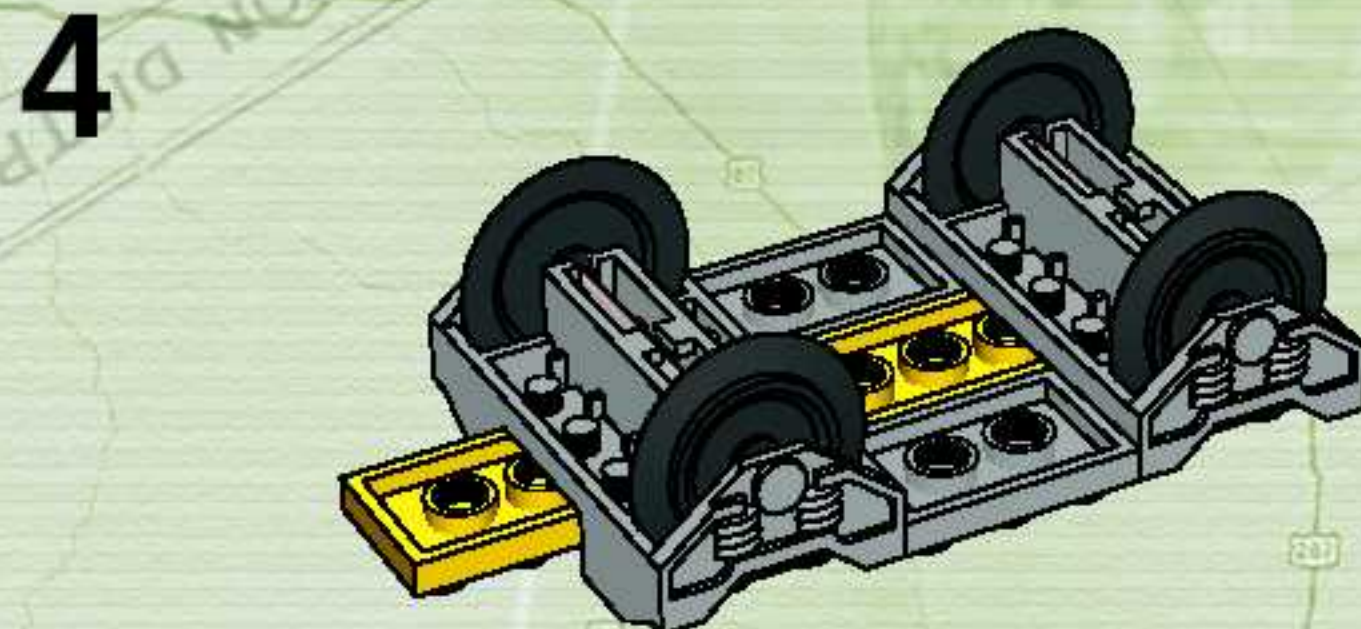
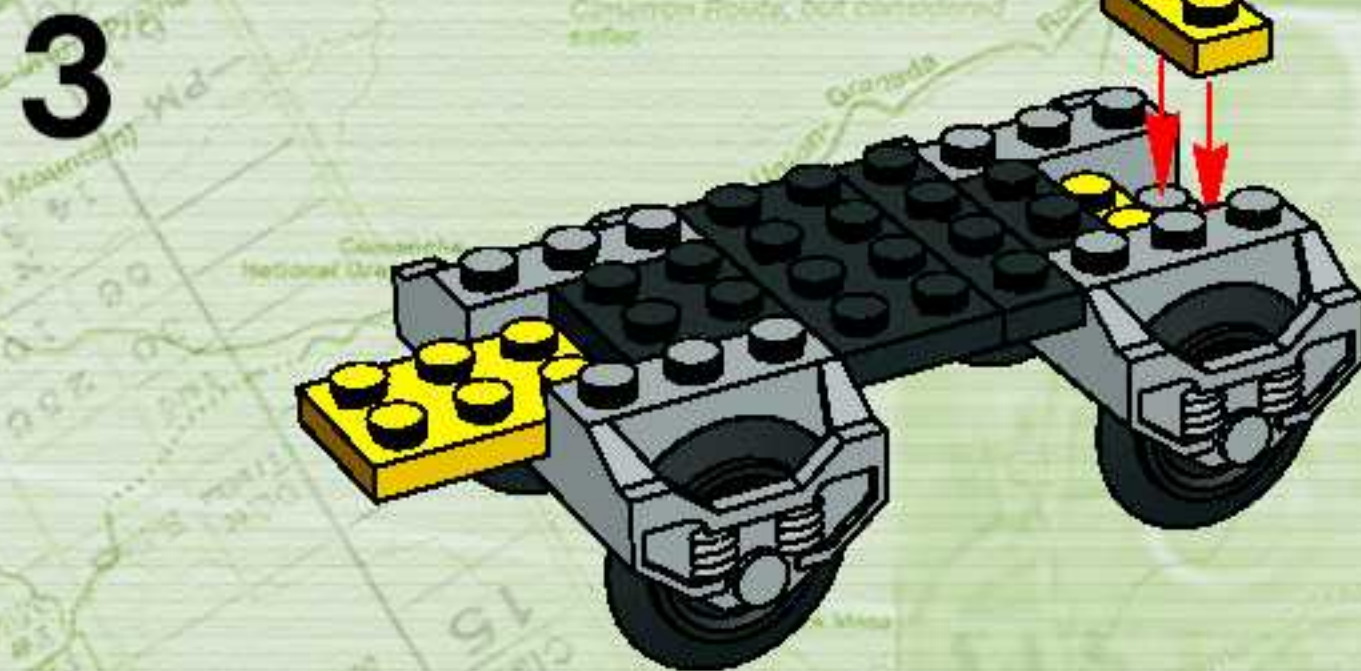
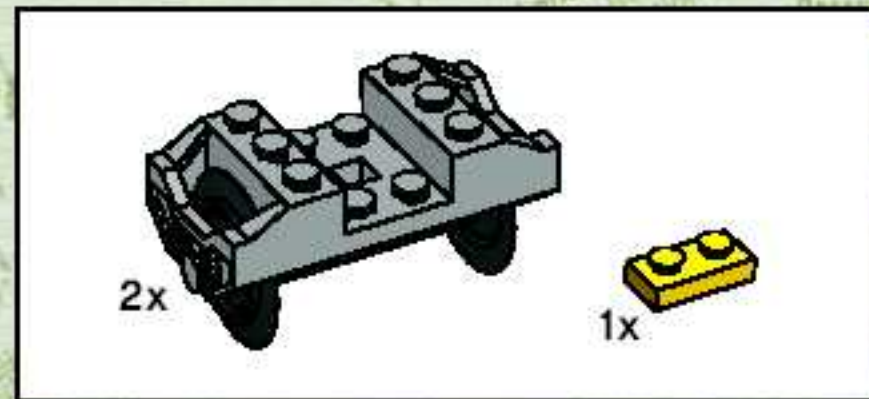
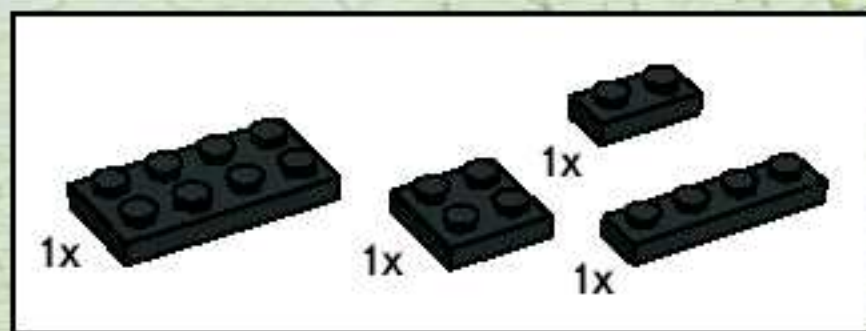
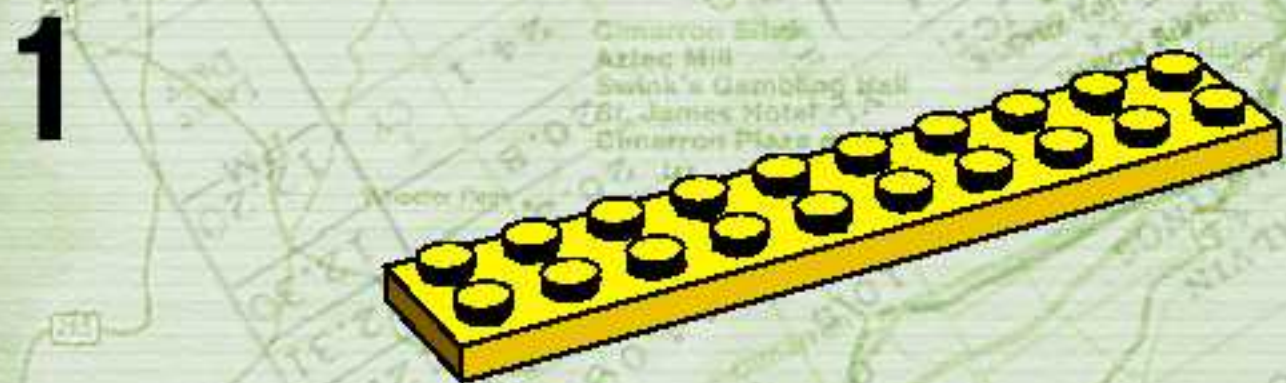
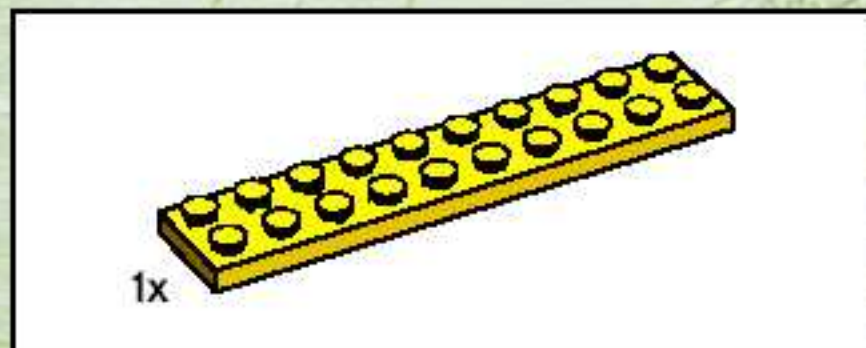
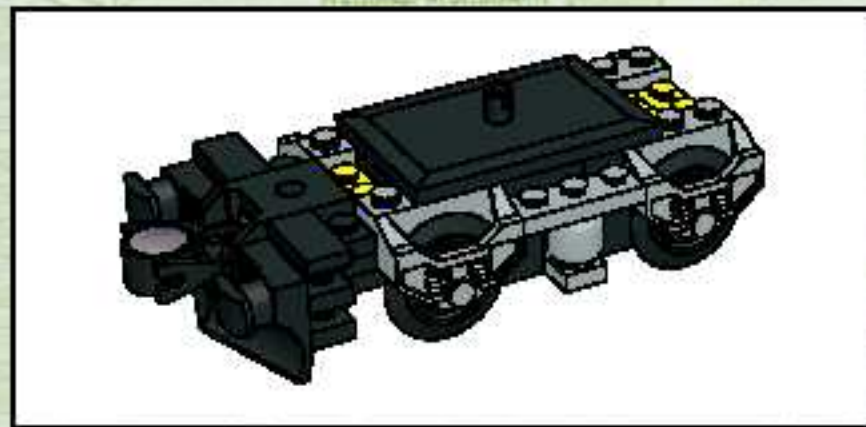
6

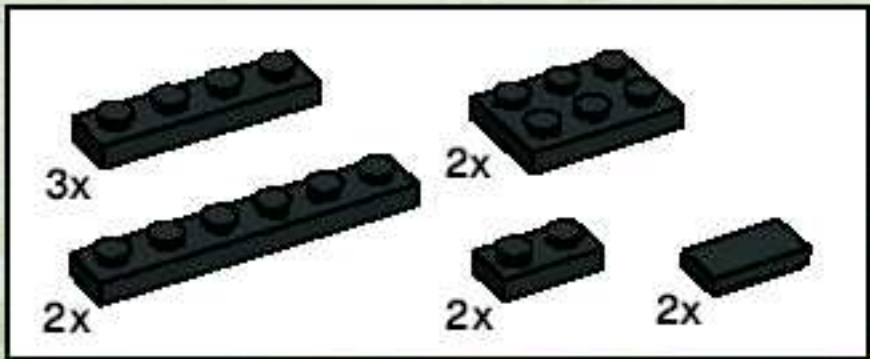




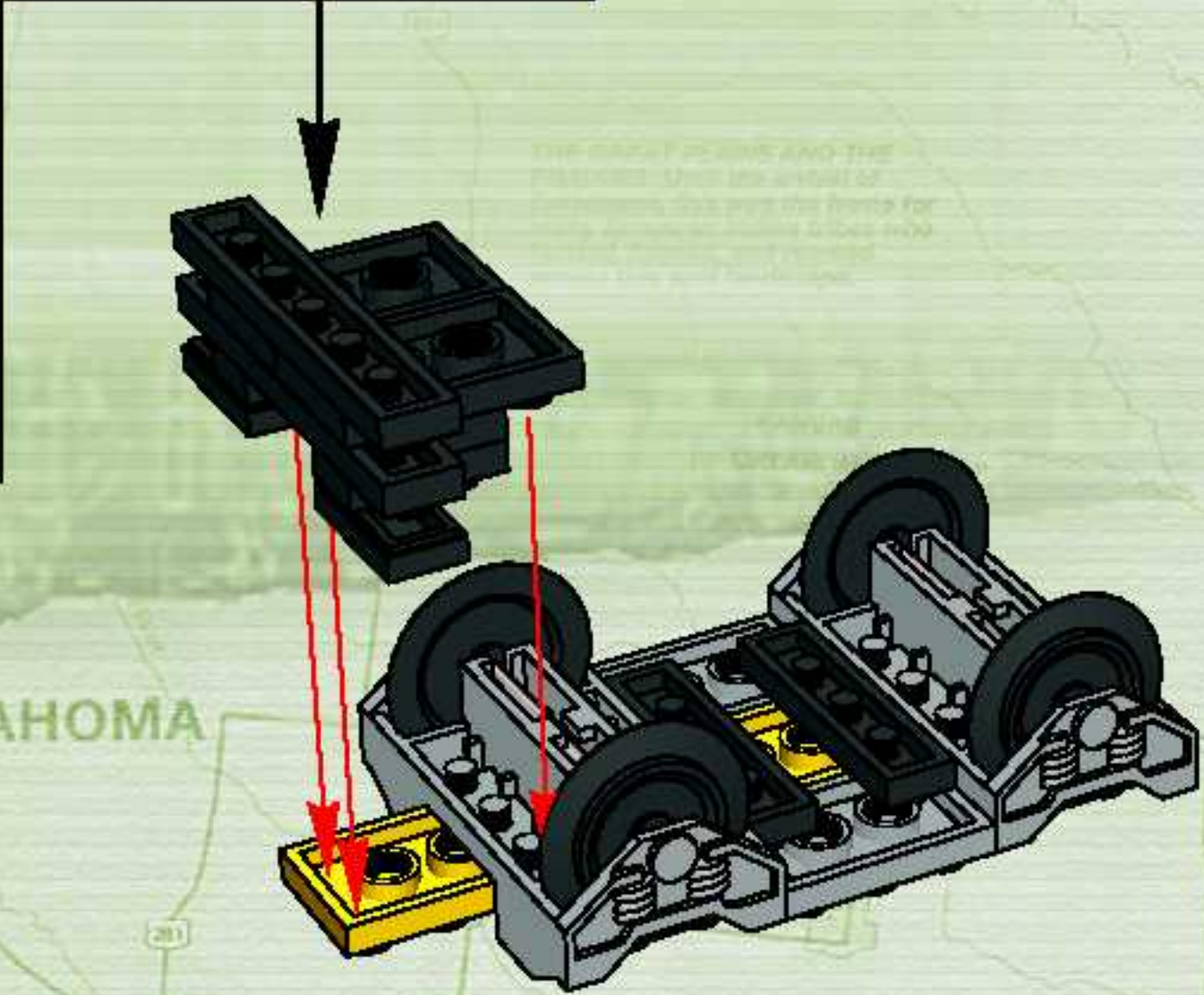
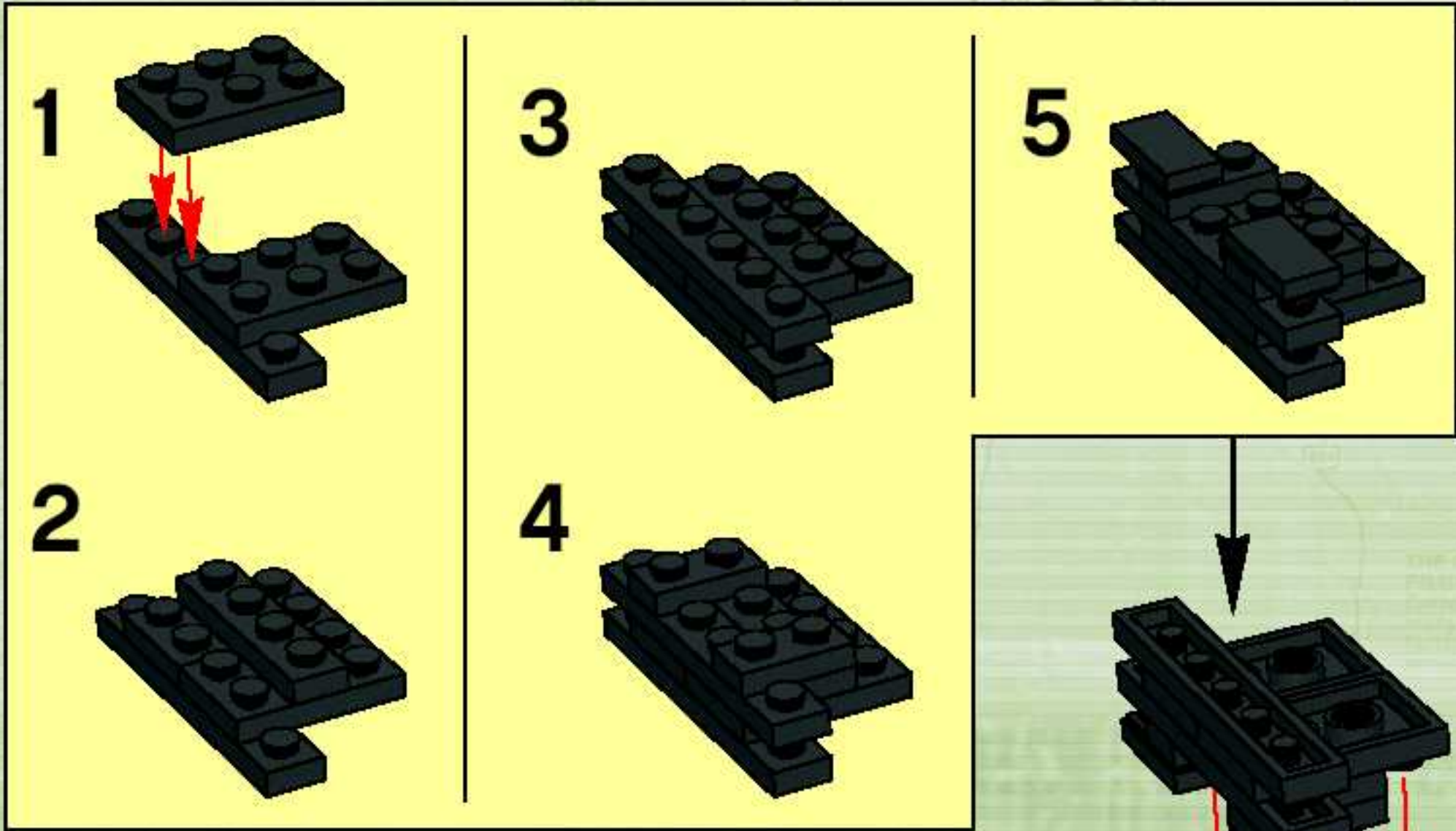
29

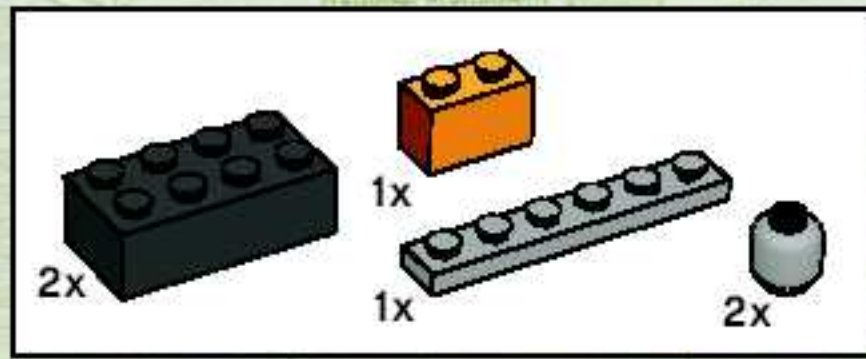




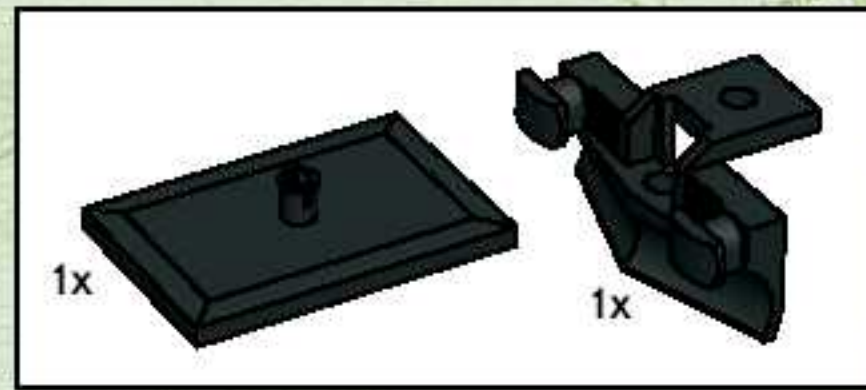
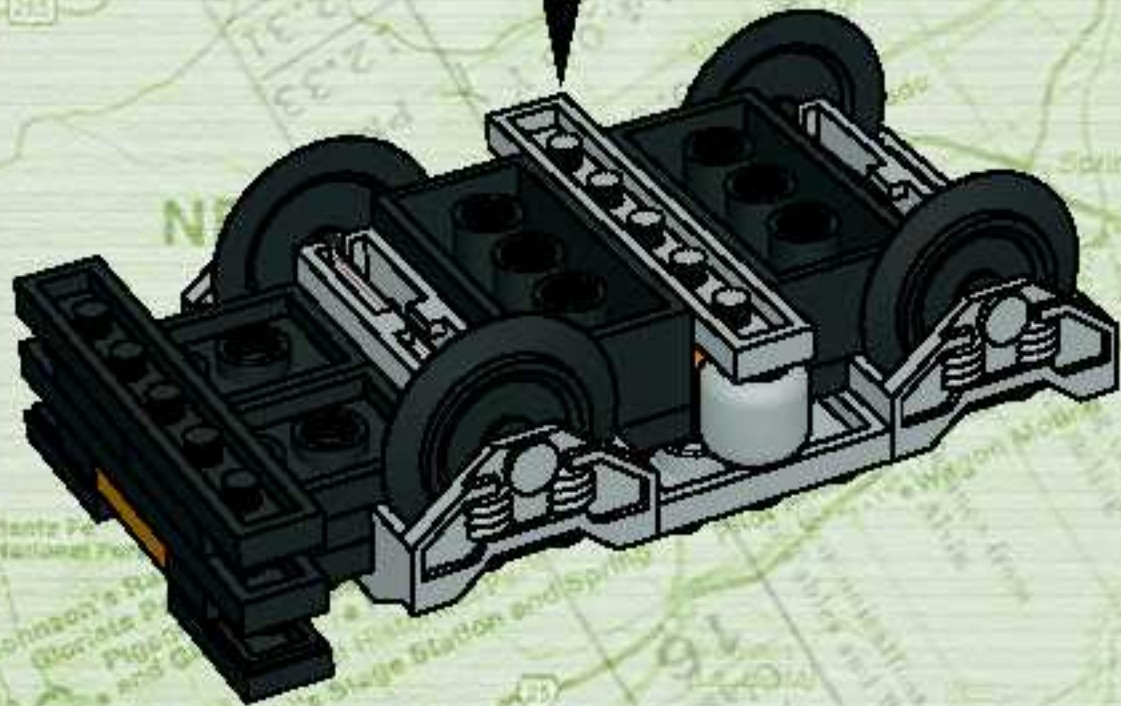
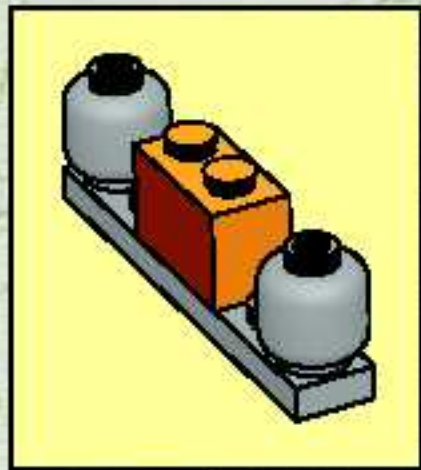


5

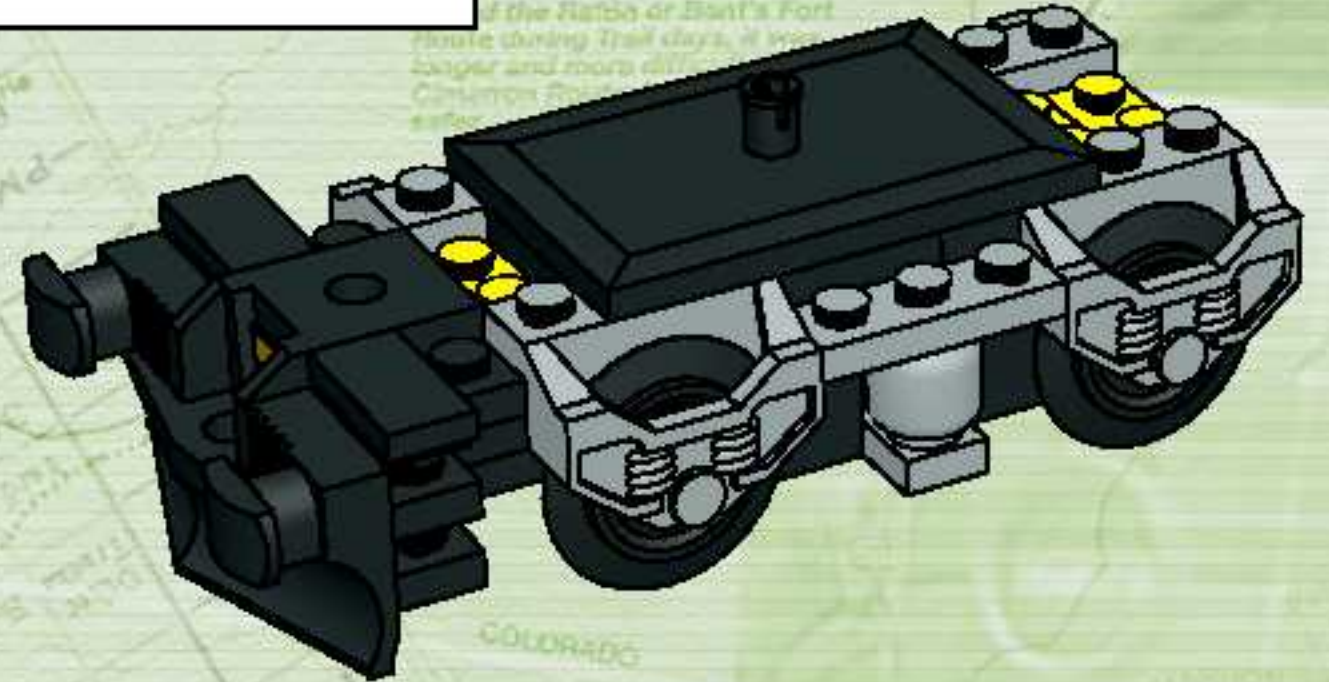




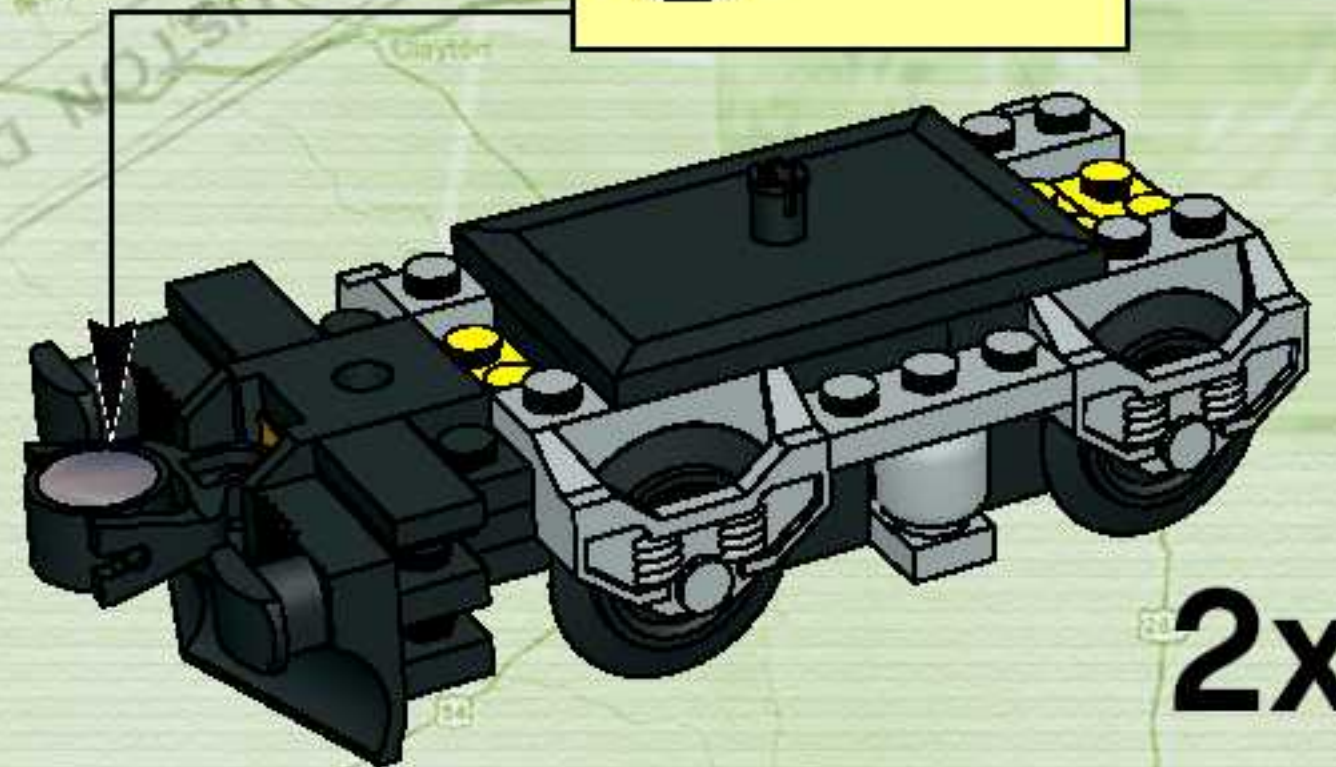
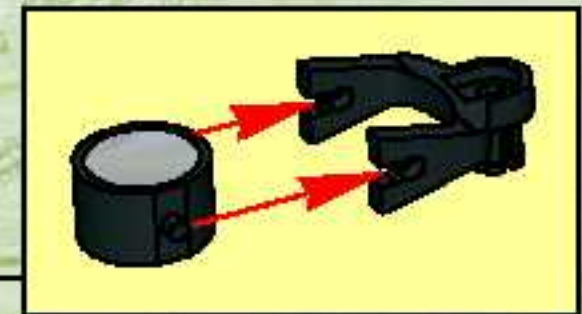
6



7

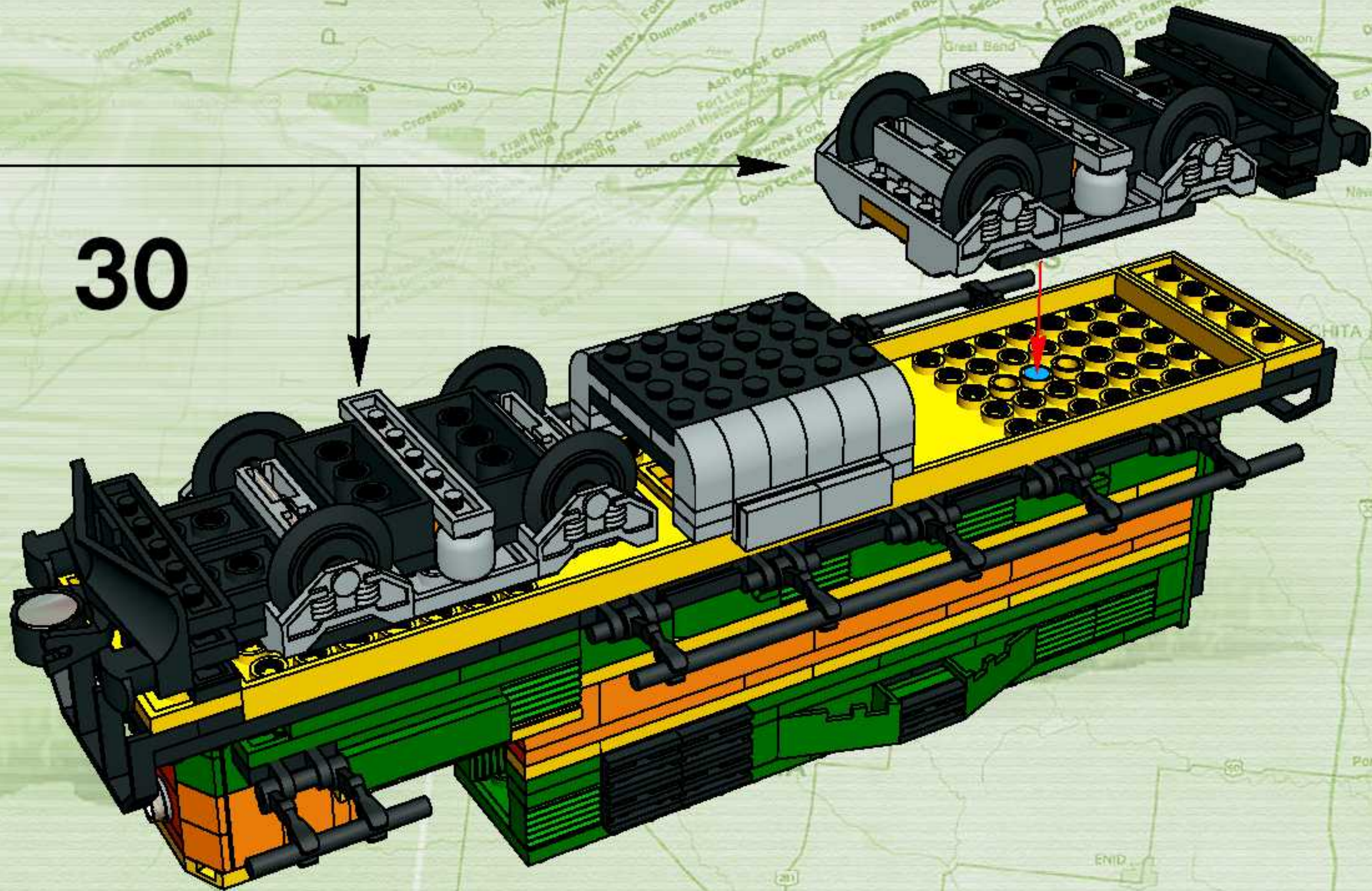


8



2x

30

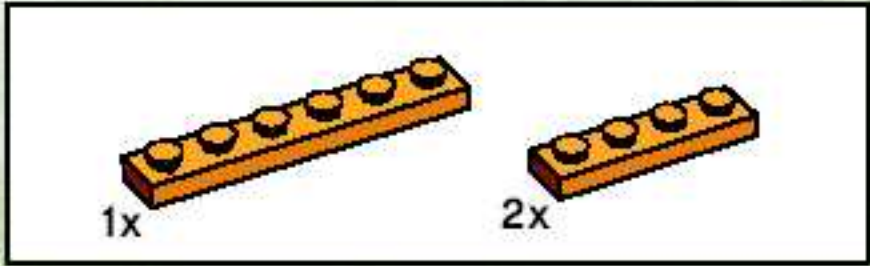




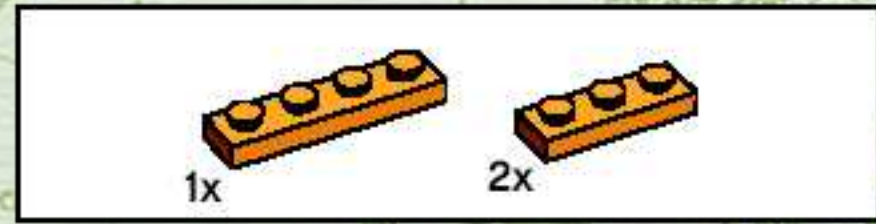
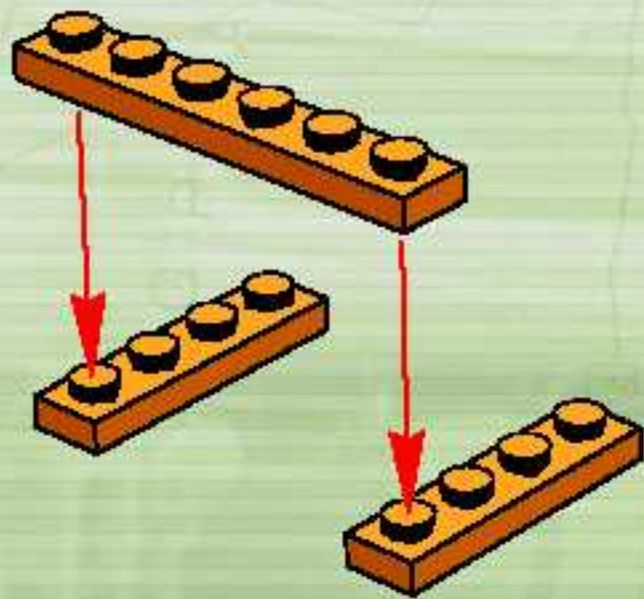
31



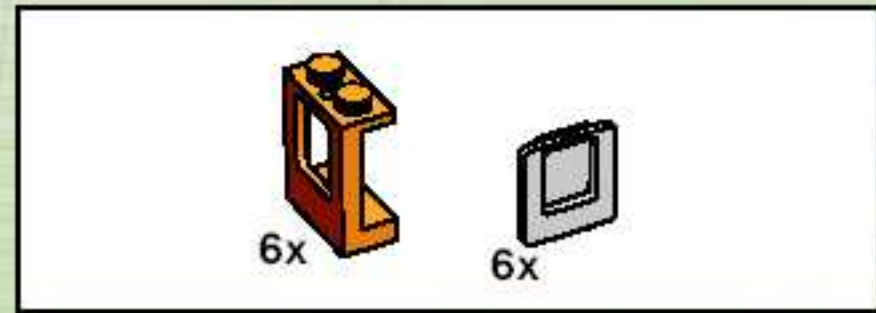
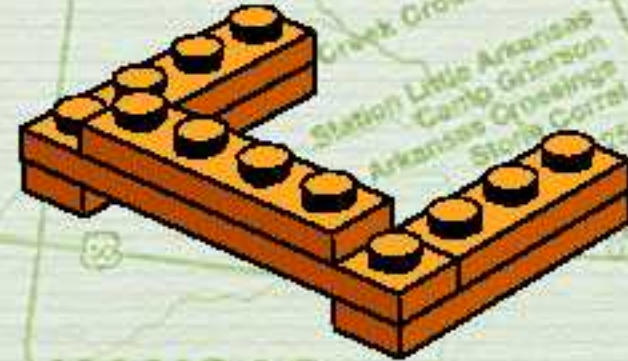
38



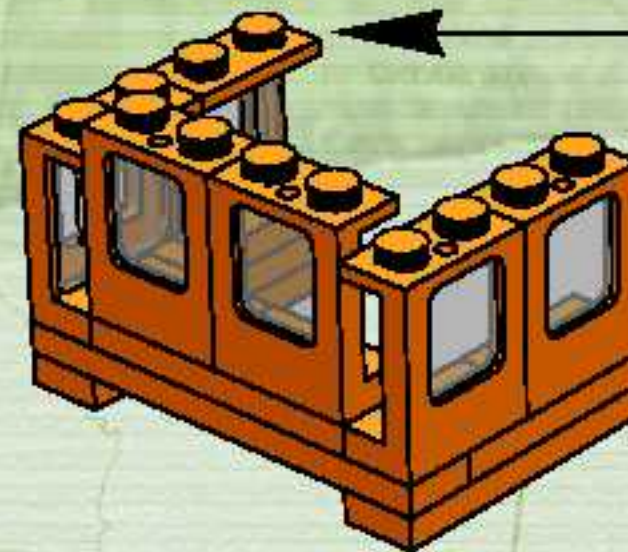
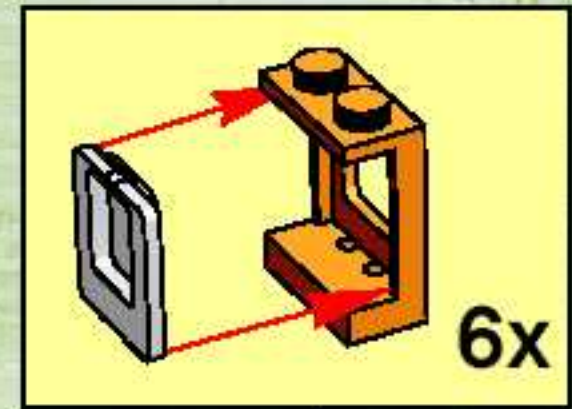
1



2

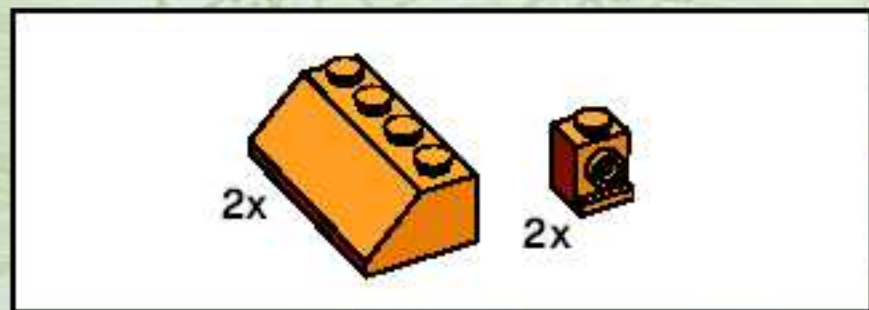


3





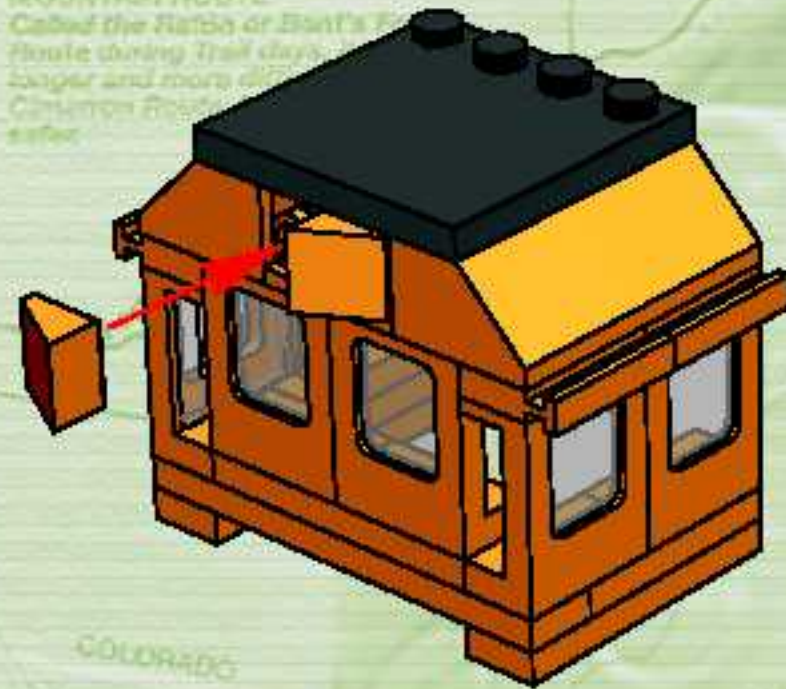
4



5



6



7

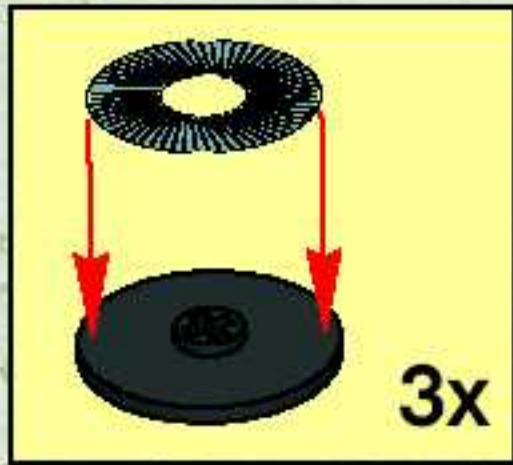
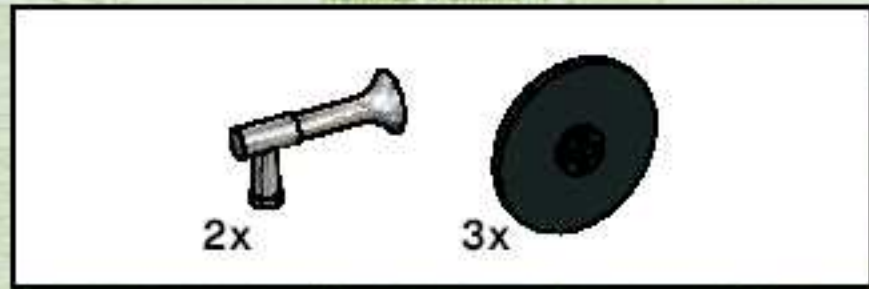




32



OKLAHOMA



33



# 5300



+

# 10133

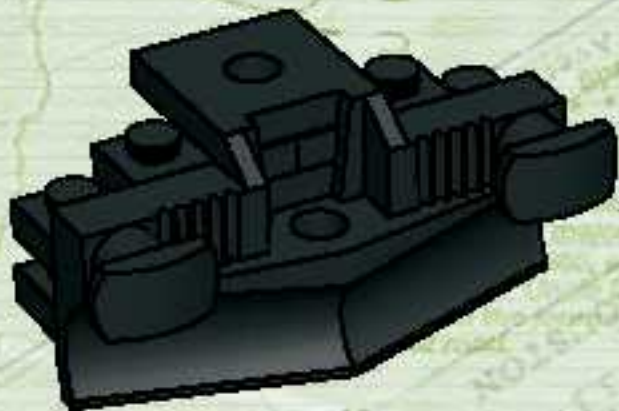


1





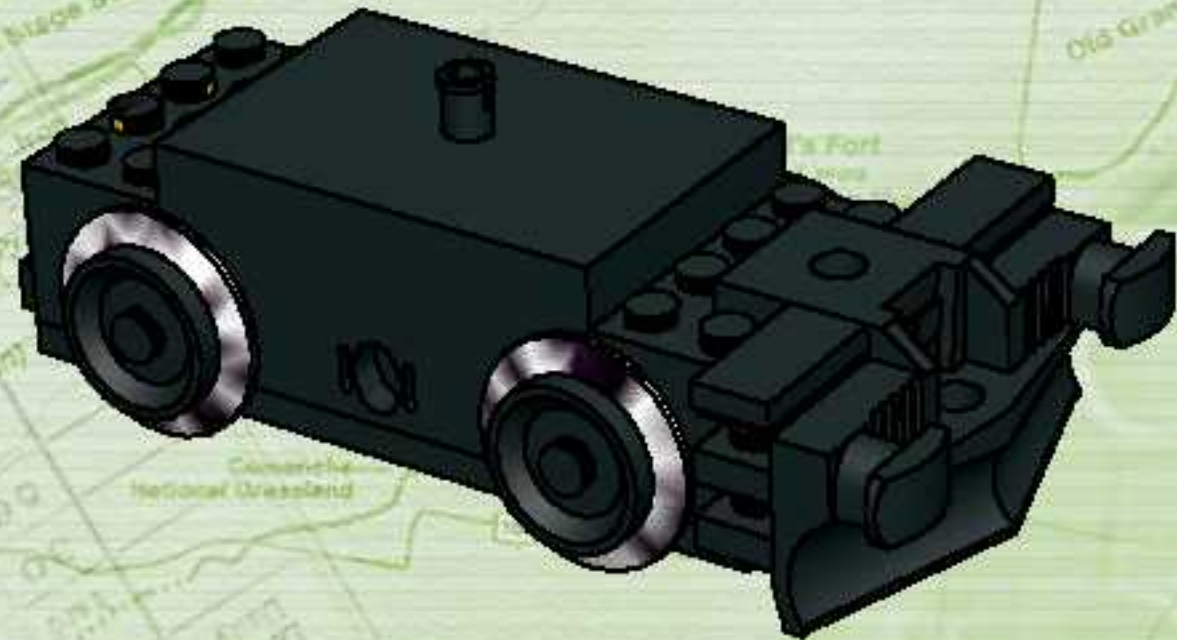
4



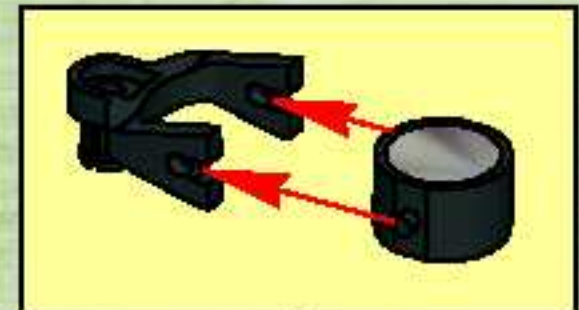
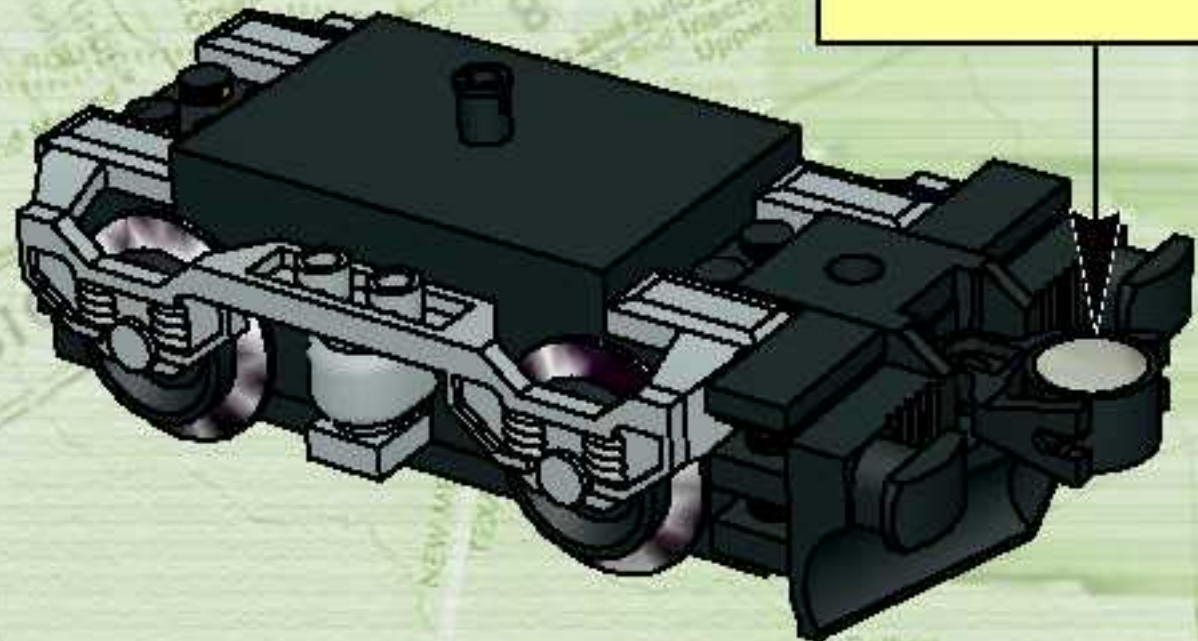
5



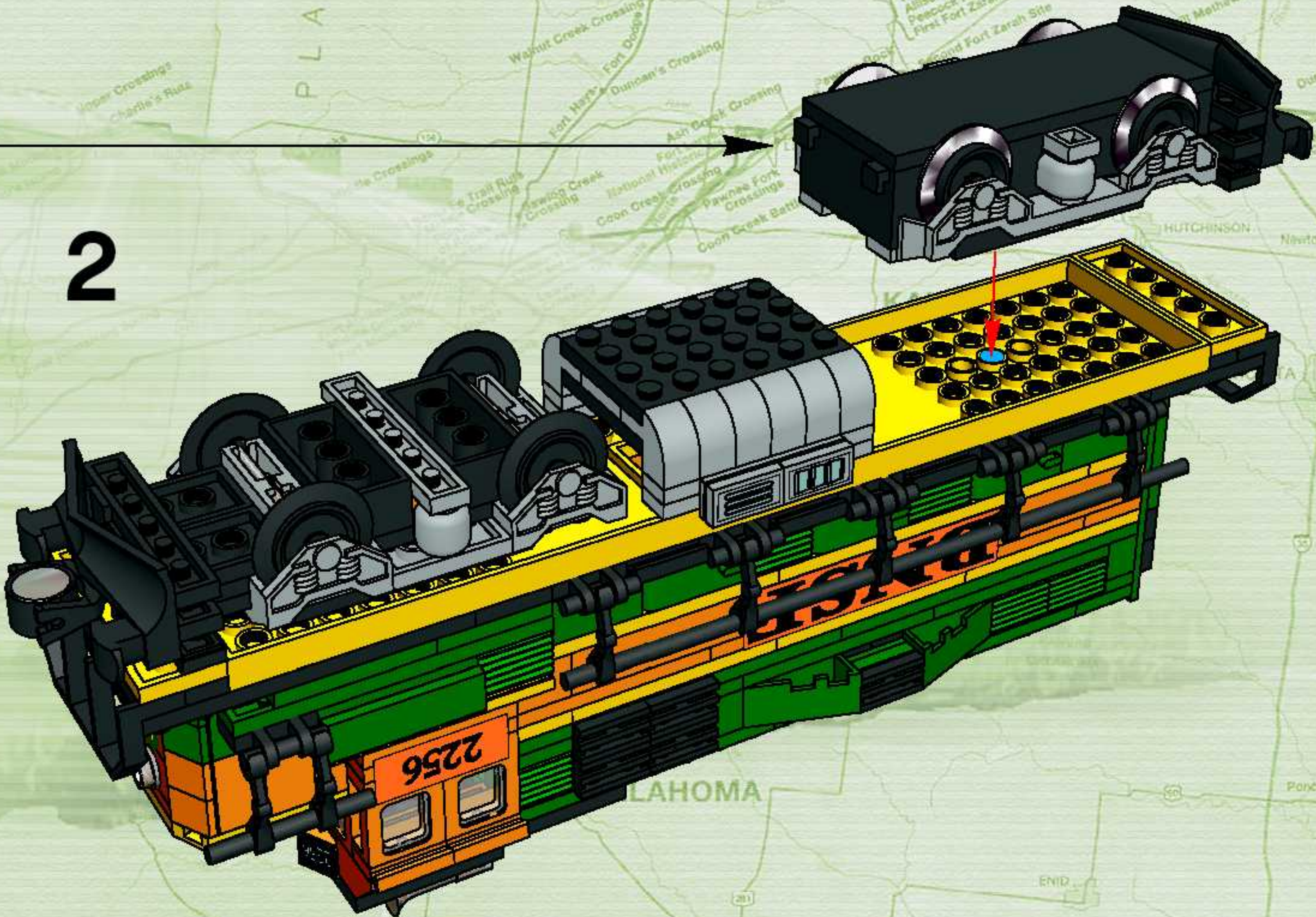
6



7



2



3





# 5300



+

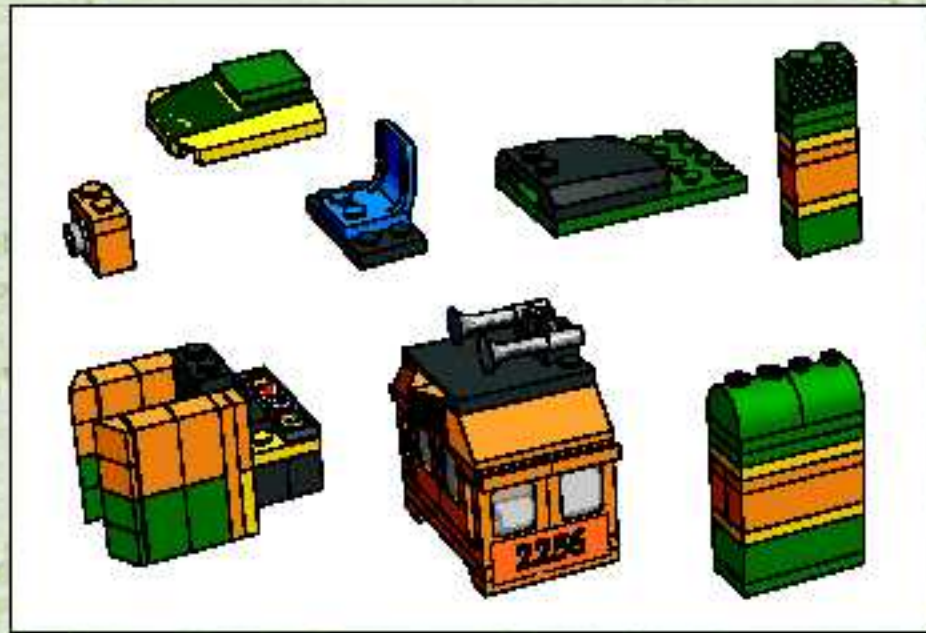
# 10133



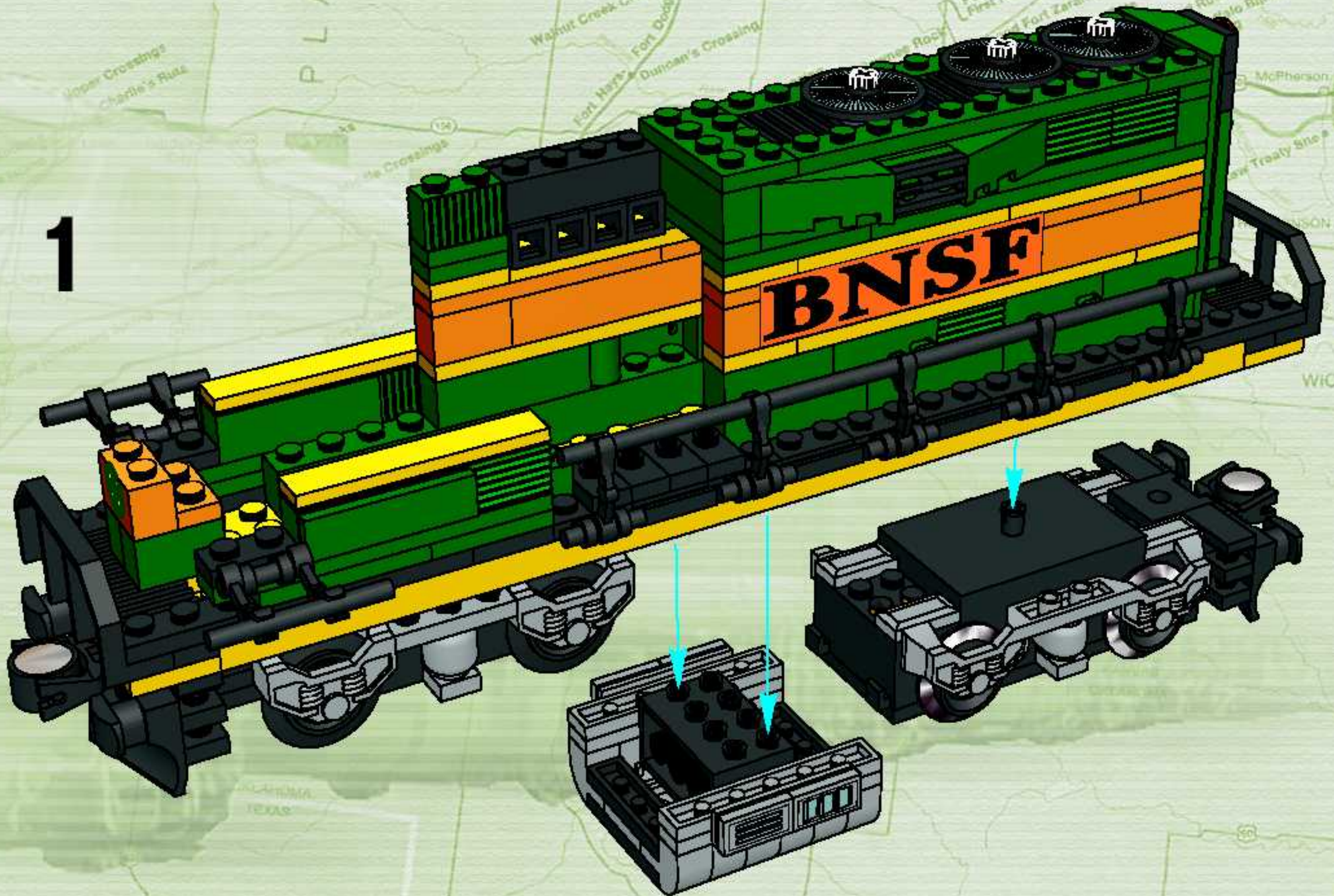
+

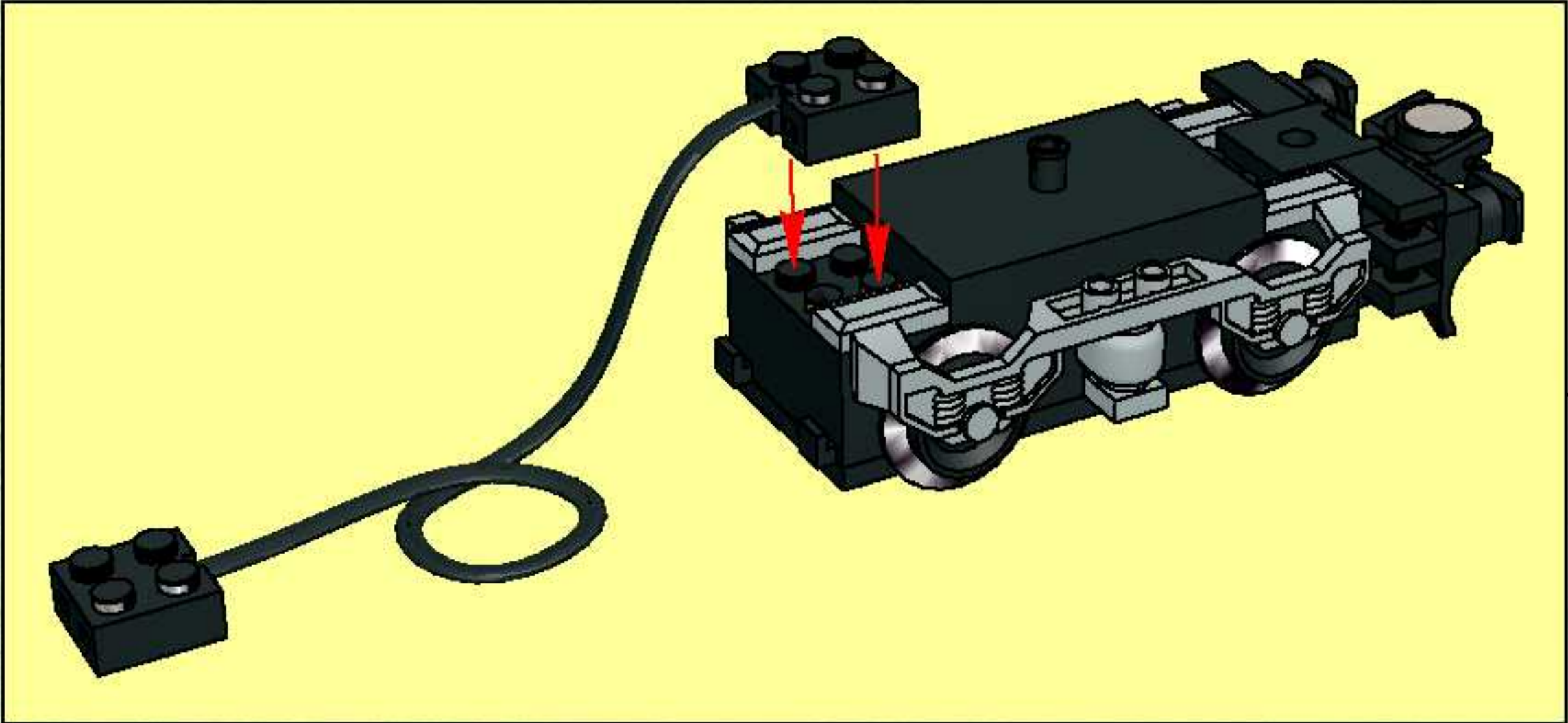
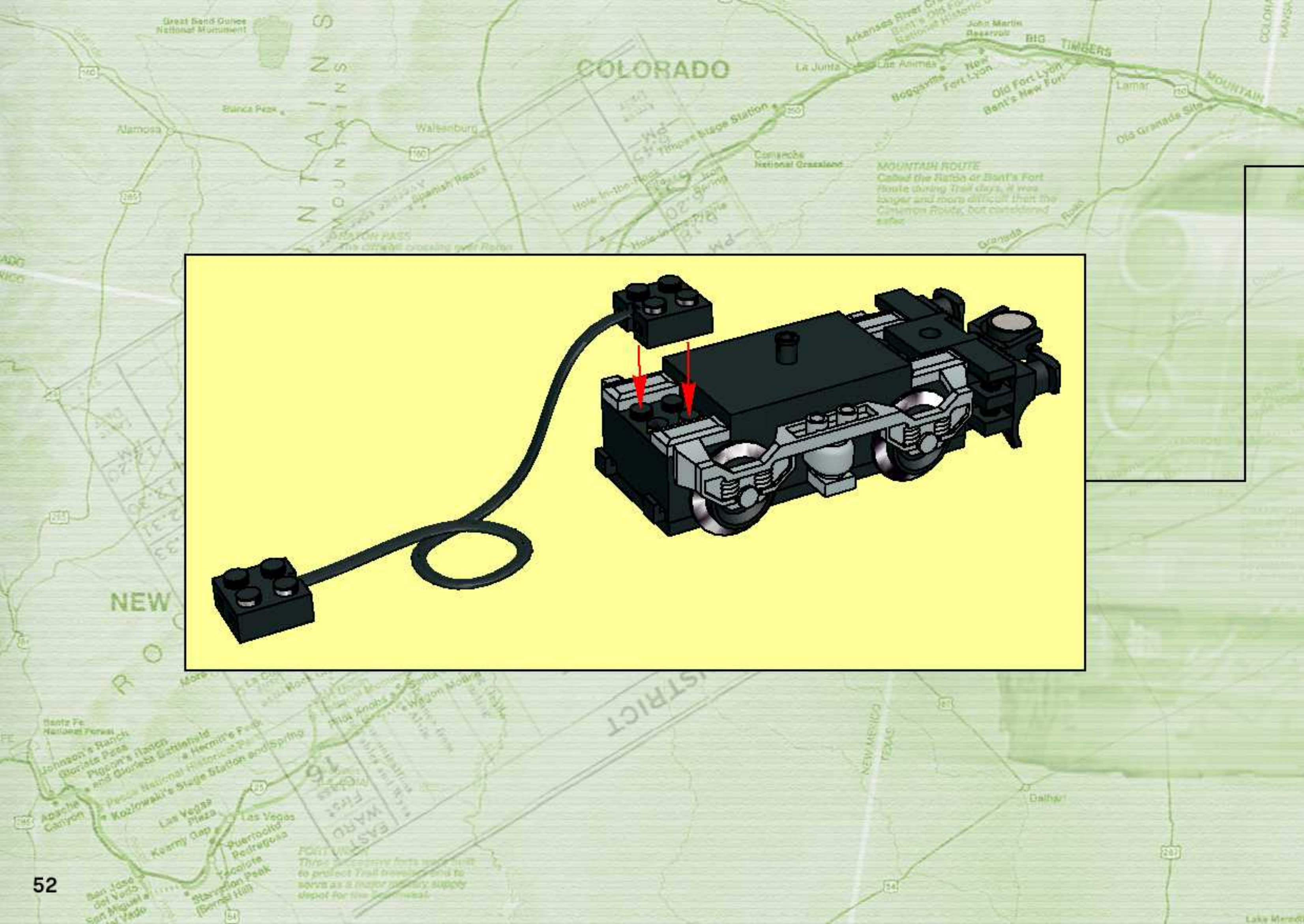
# 3748





1



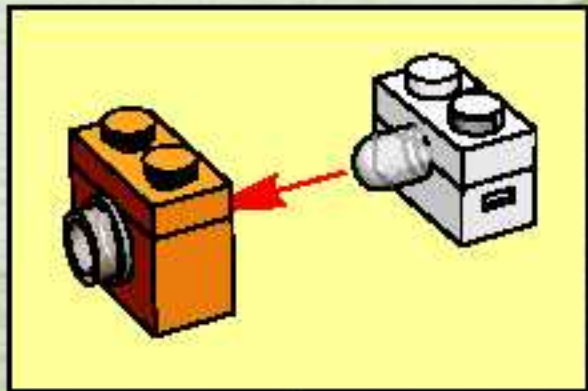


2



3





4



OKLAHOMA

5

