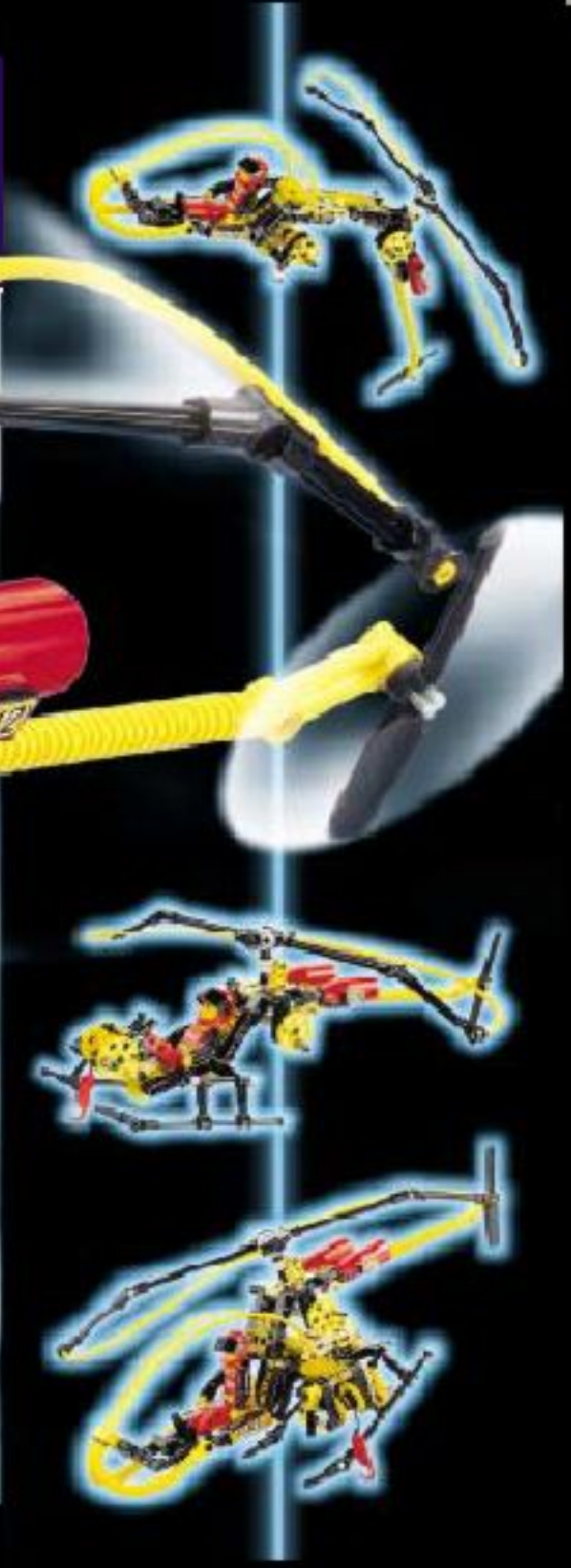




# Technic

8253





..... 3



..... 8



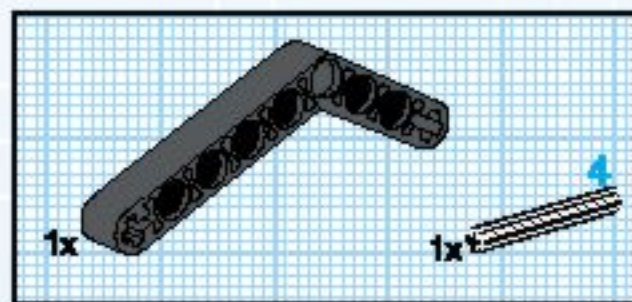
..... 21



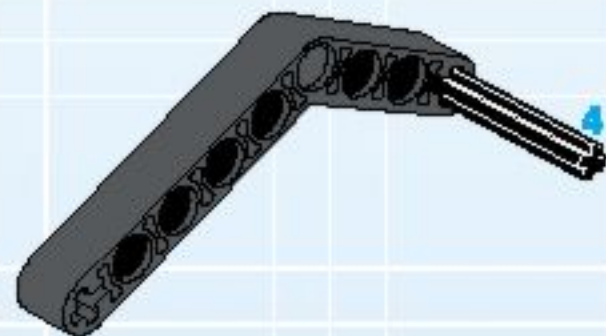
..... 27



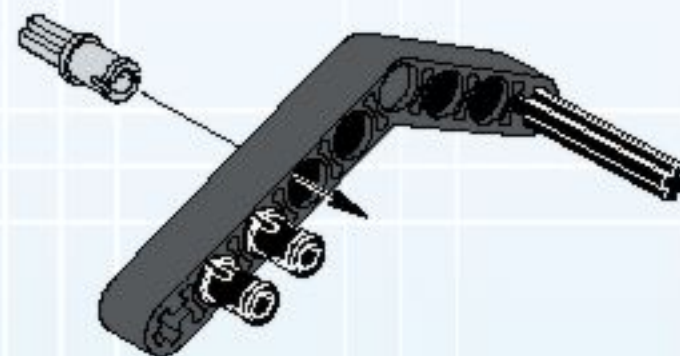
..... 40

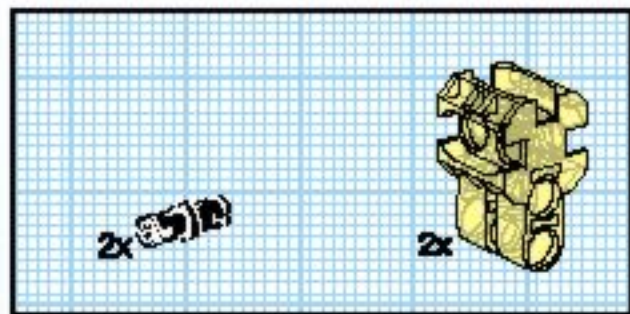


1

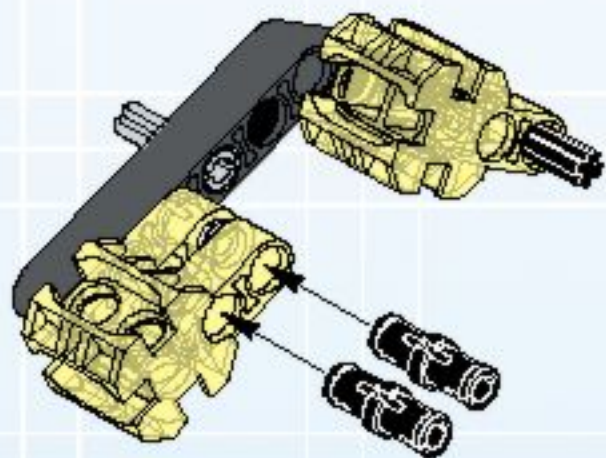


2

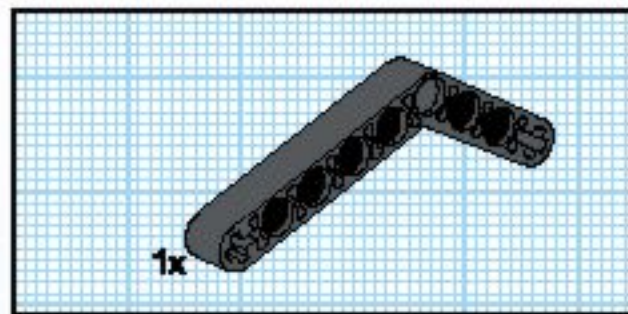




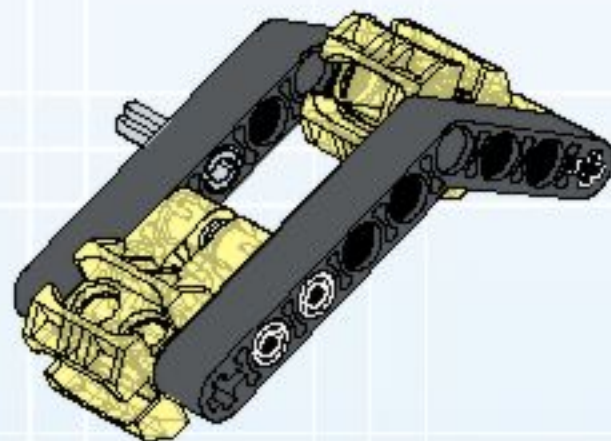
3

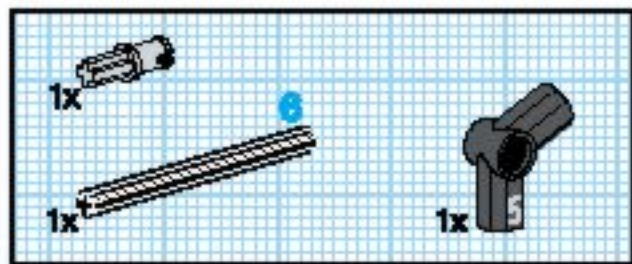


4

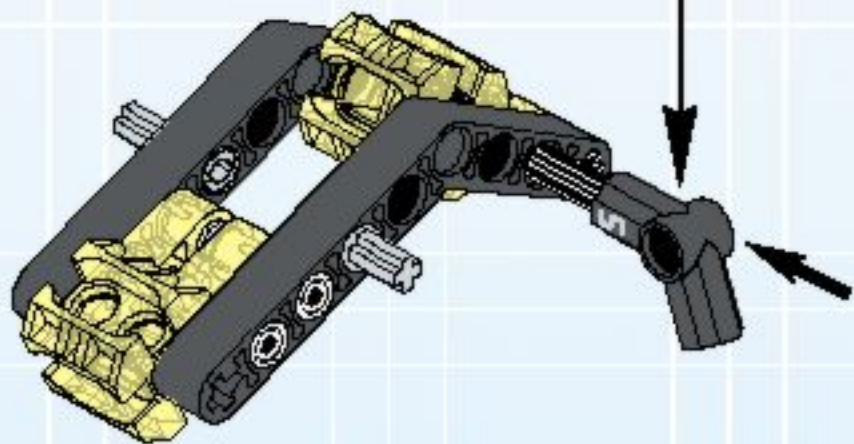
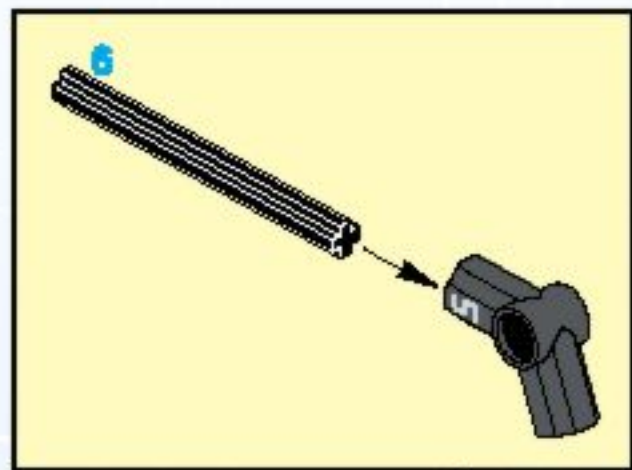


4

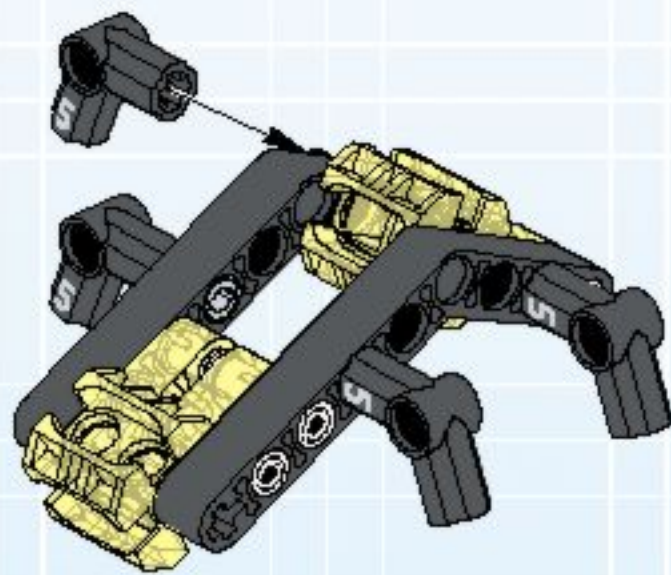


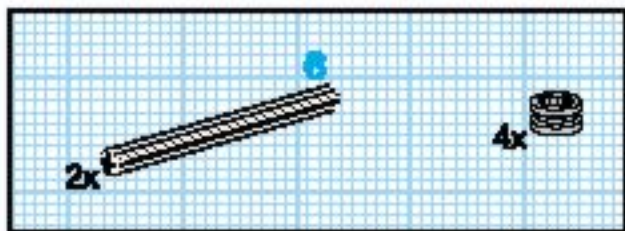


5

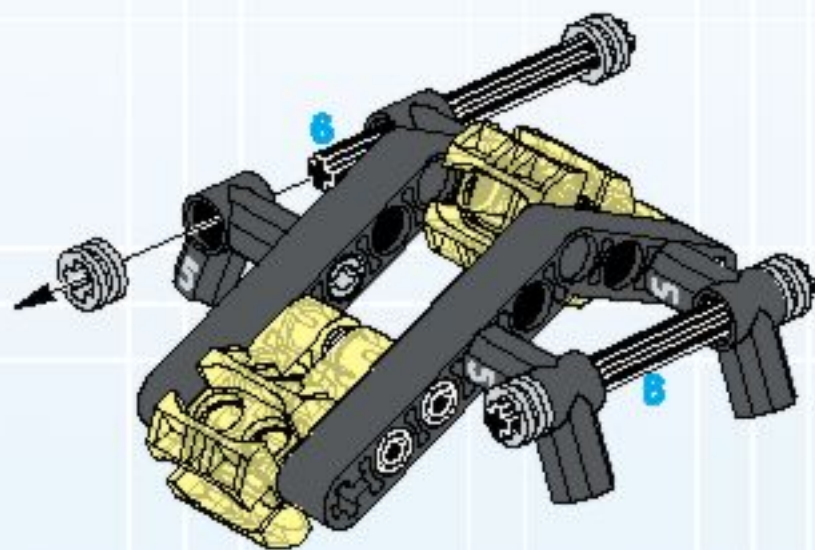


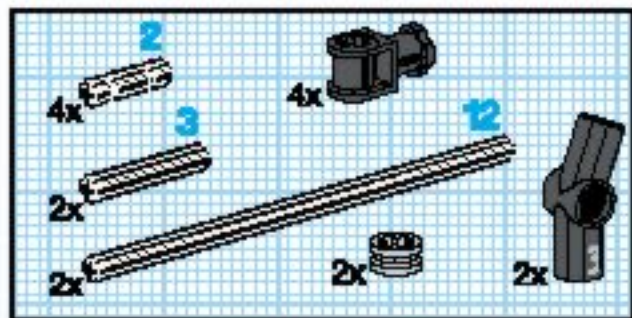
6



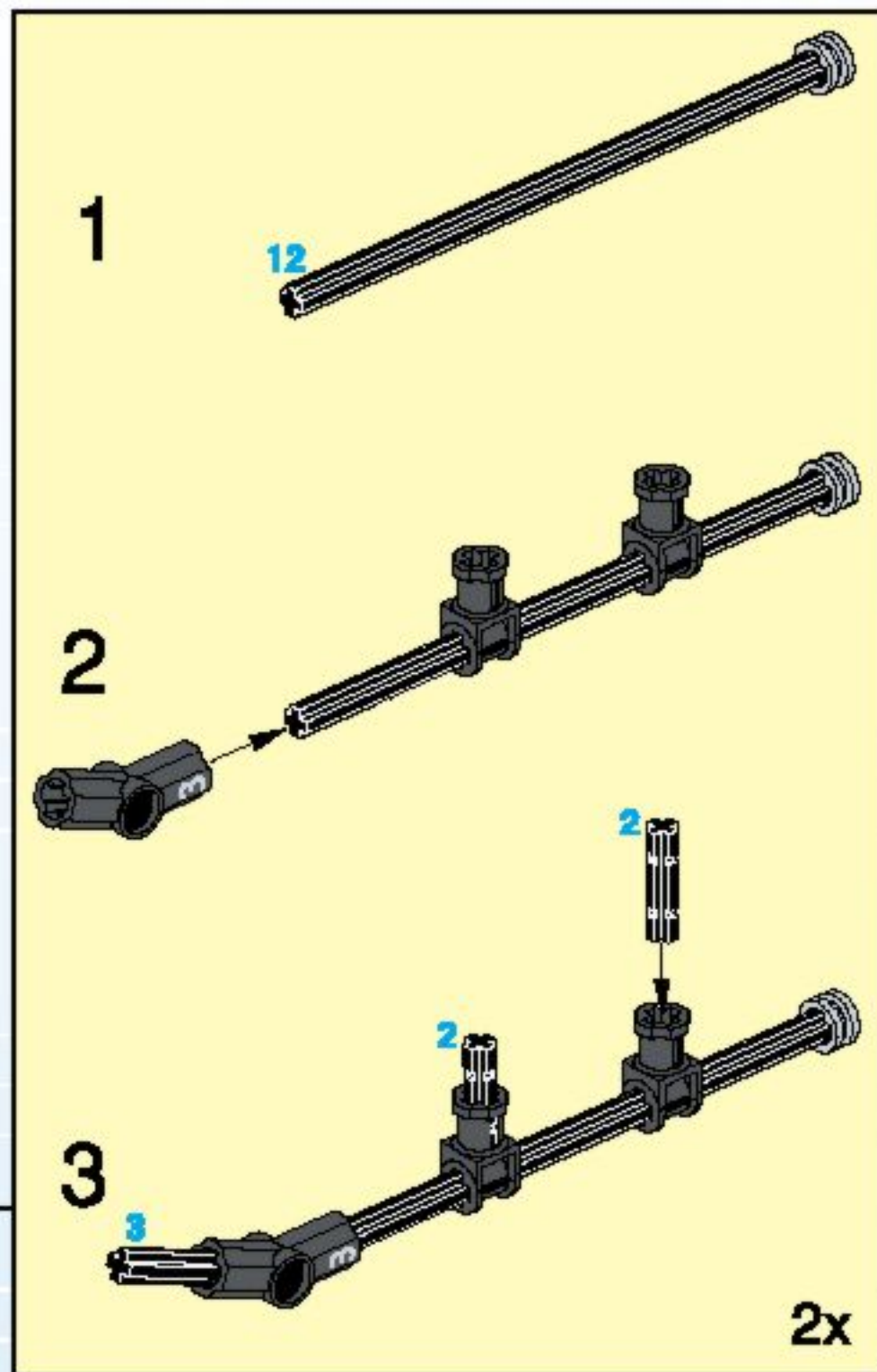
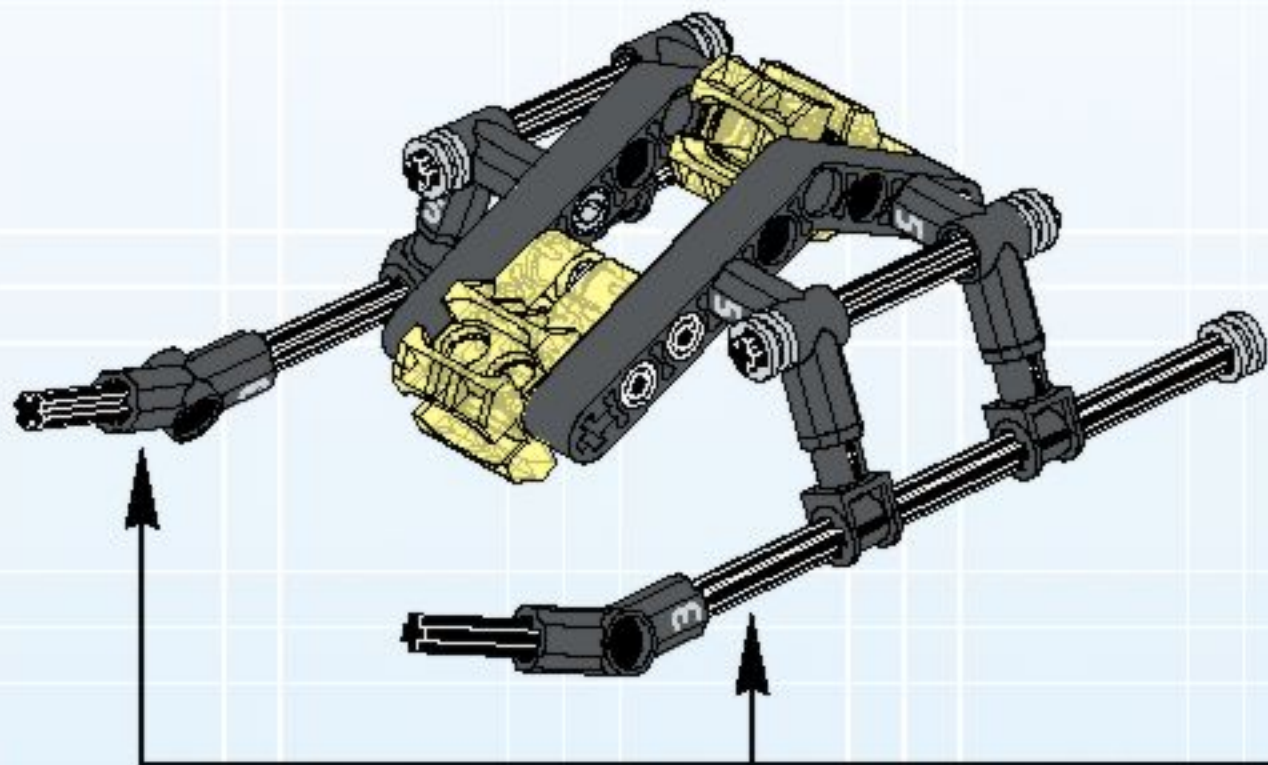


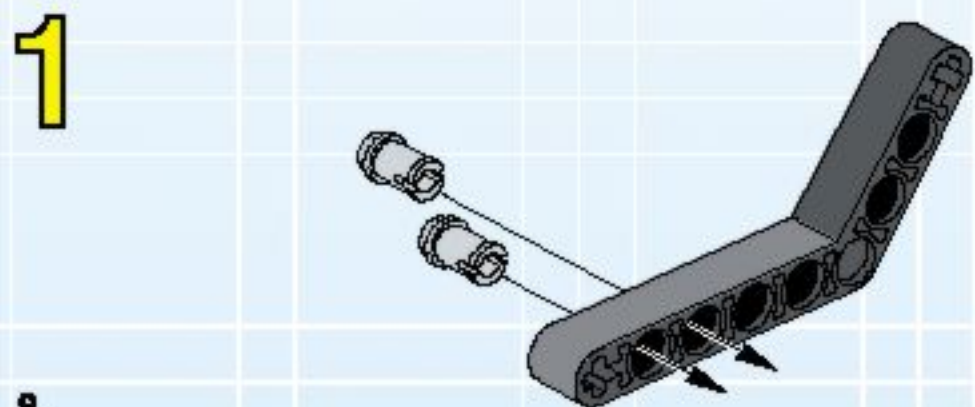
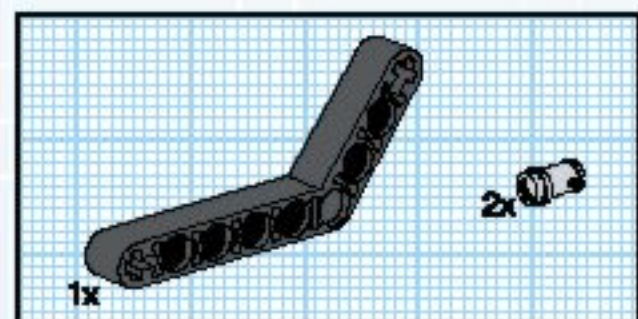
7





8

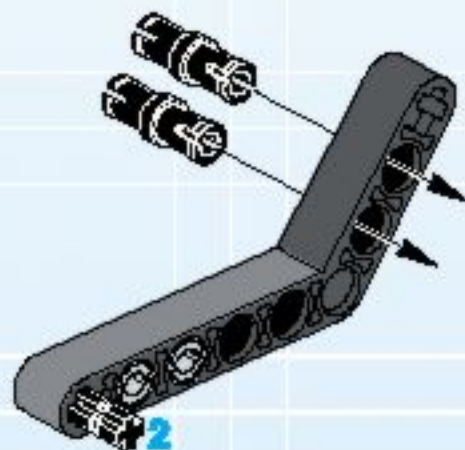




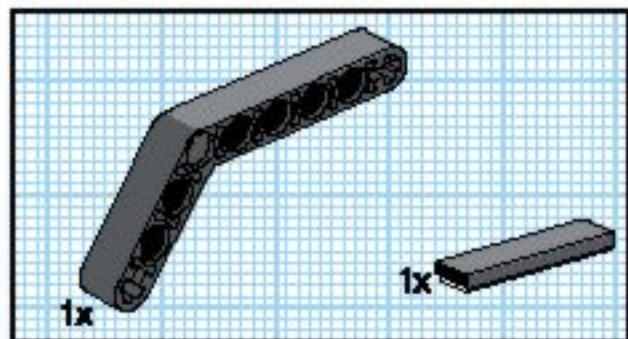
8



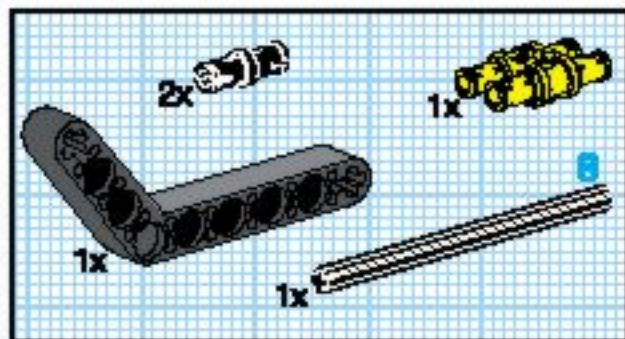
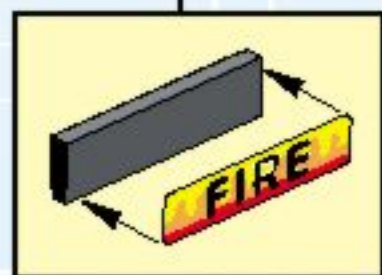
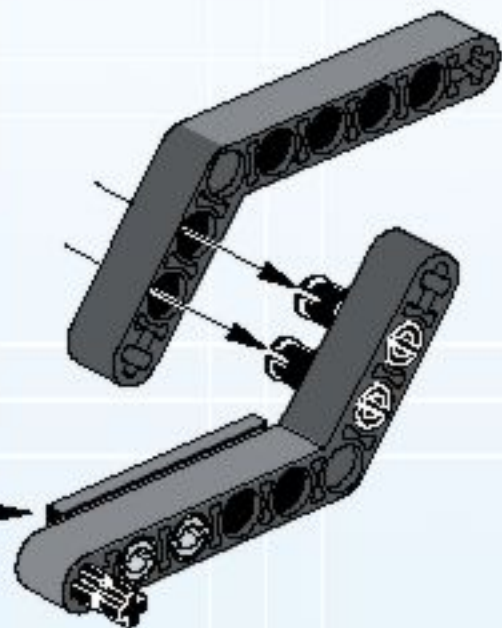
2



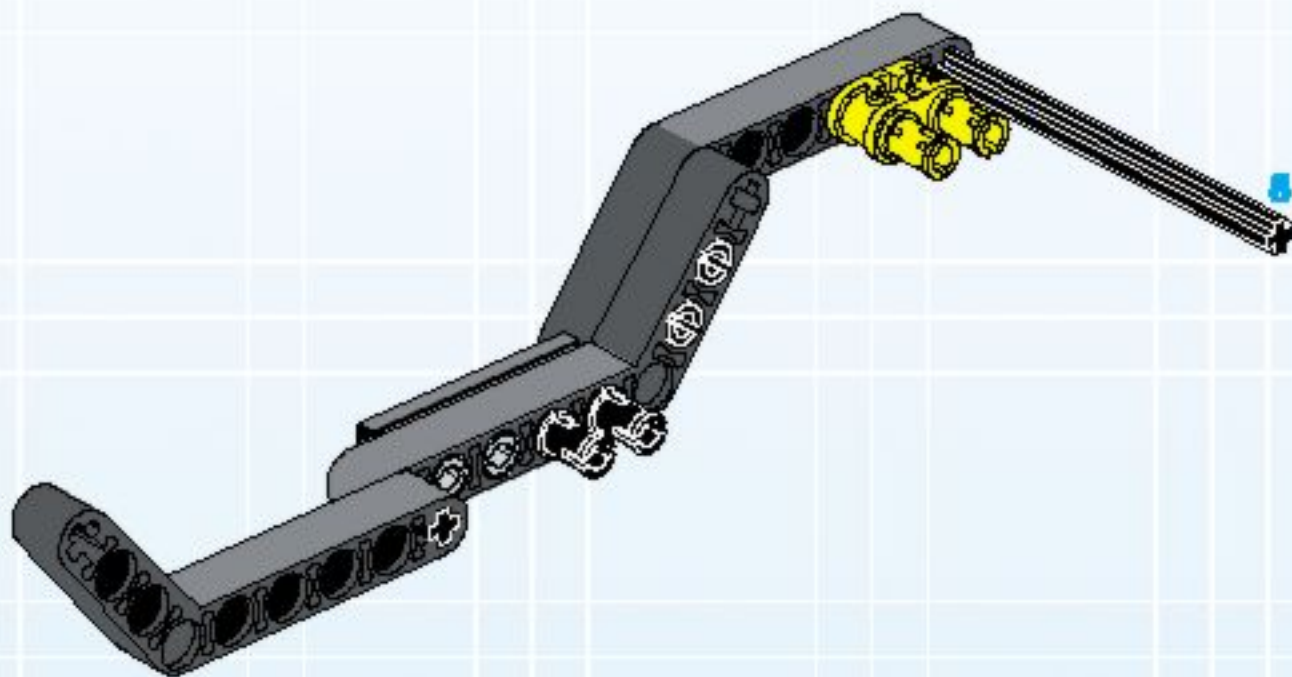


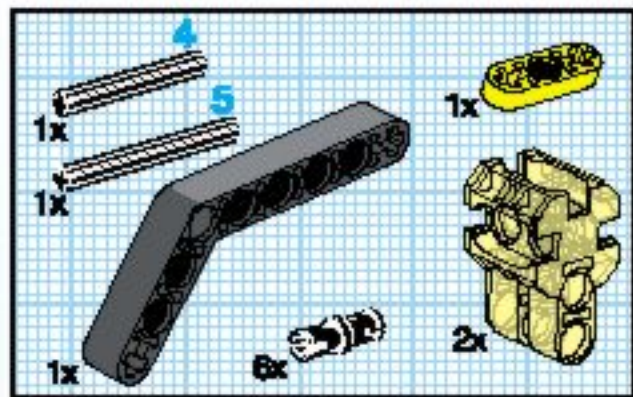


3



4

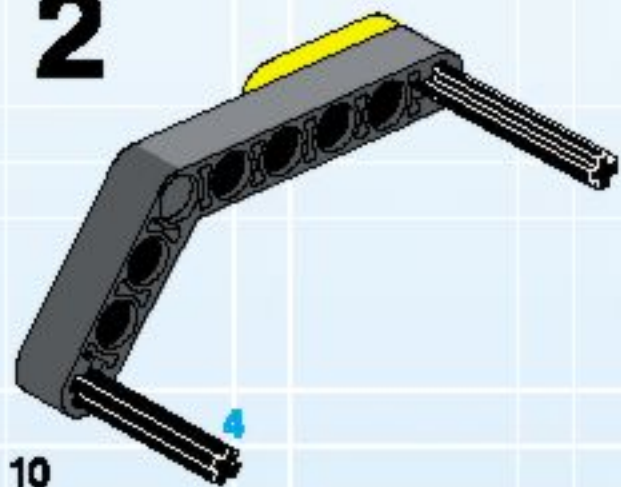




1

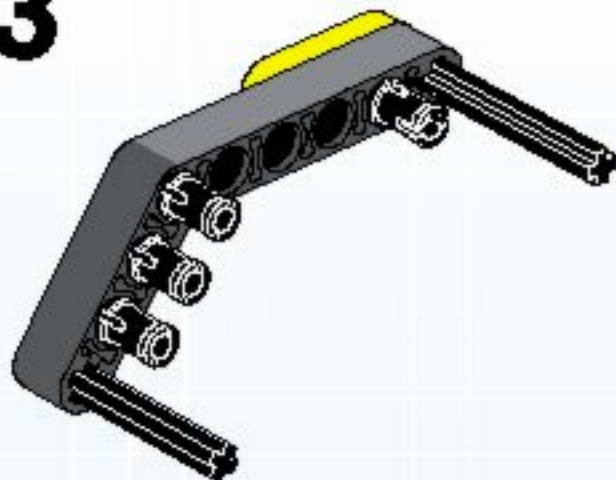


2

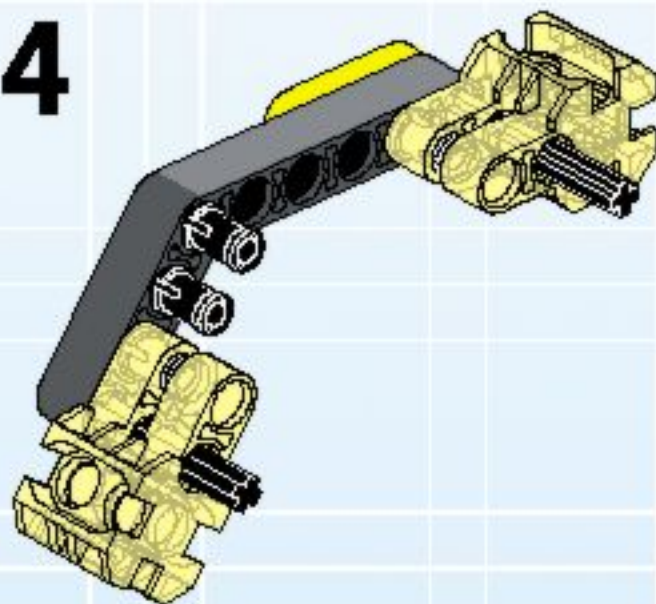


10

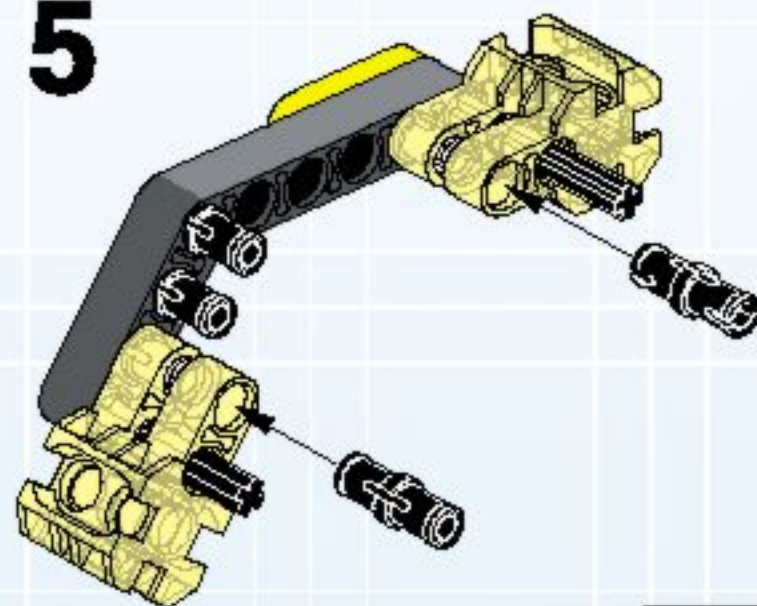
3



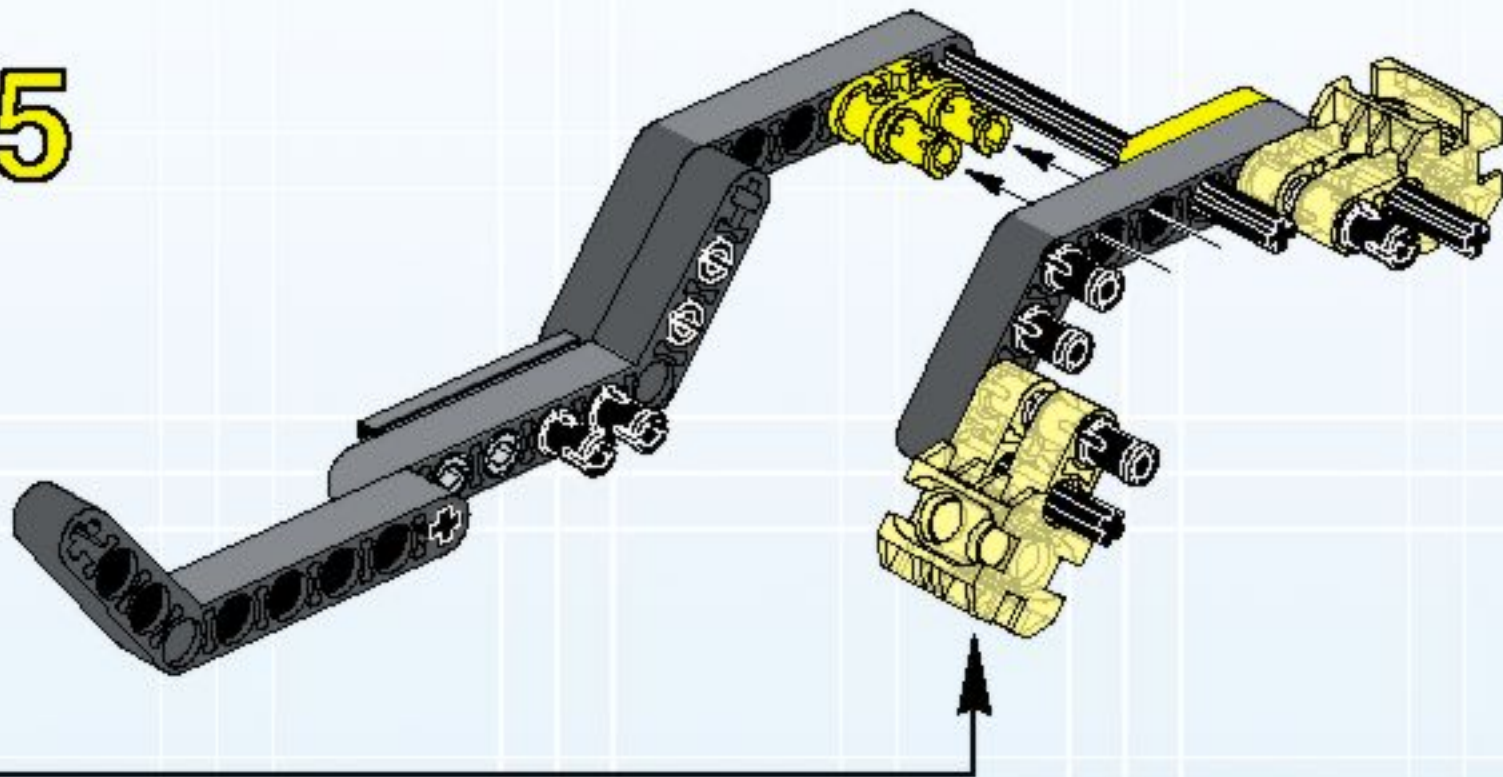
4



5

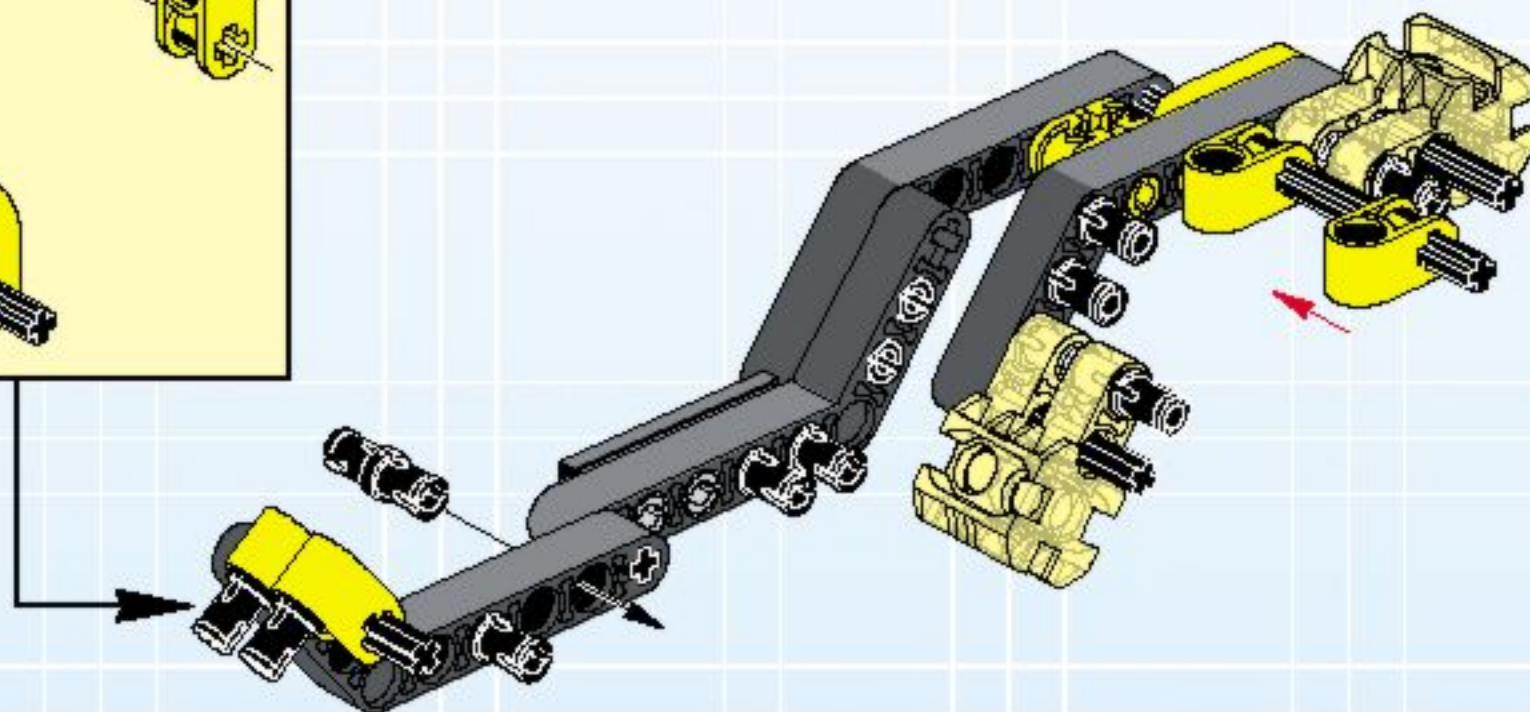
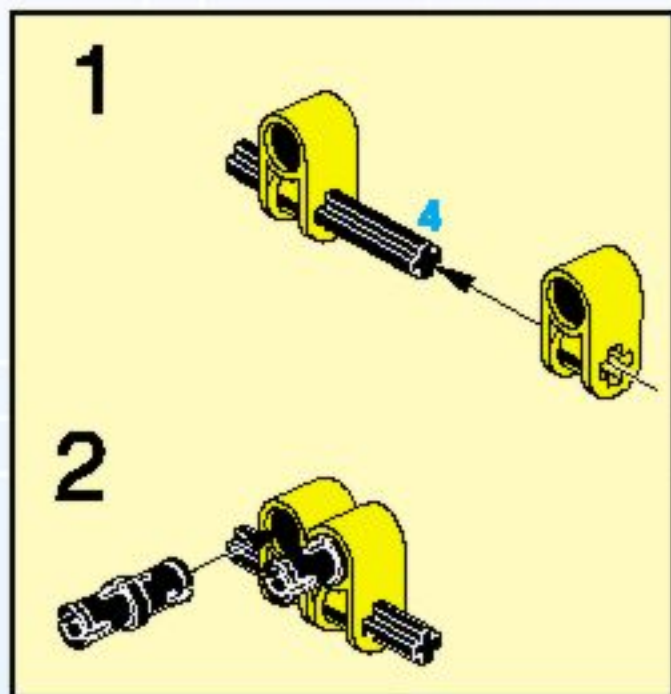


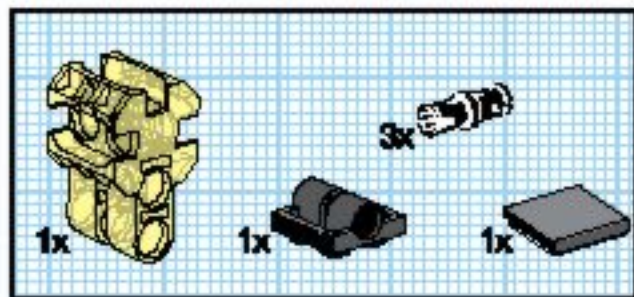
5



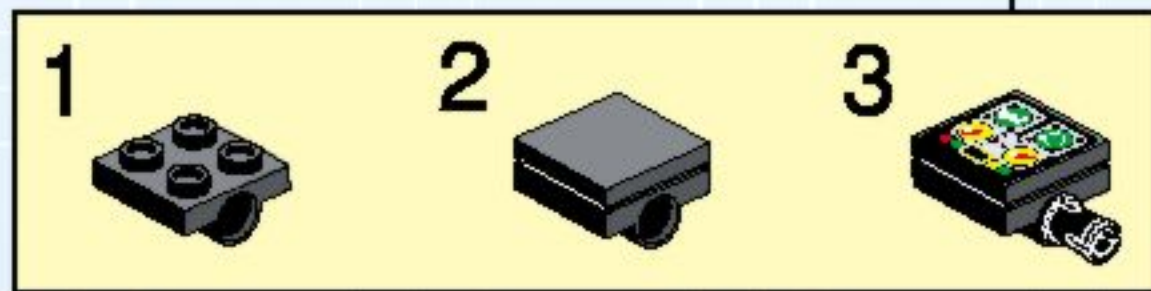
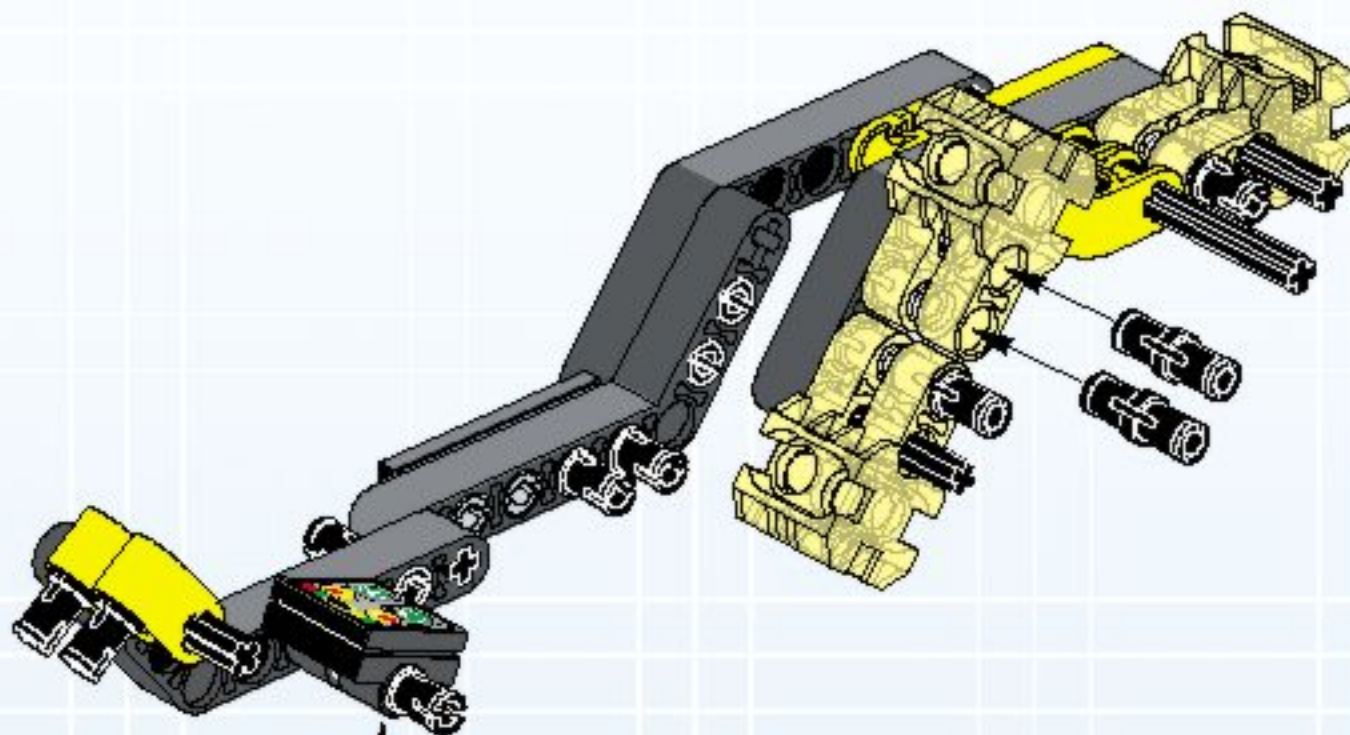


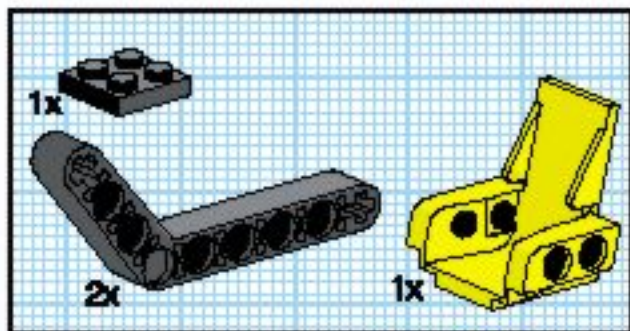
6



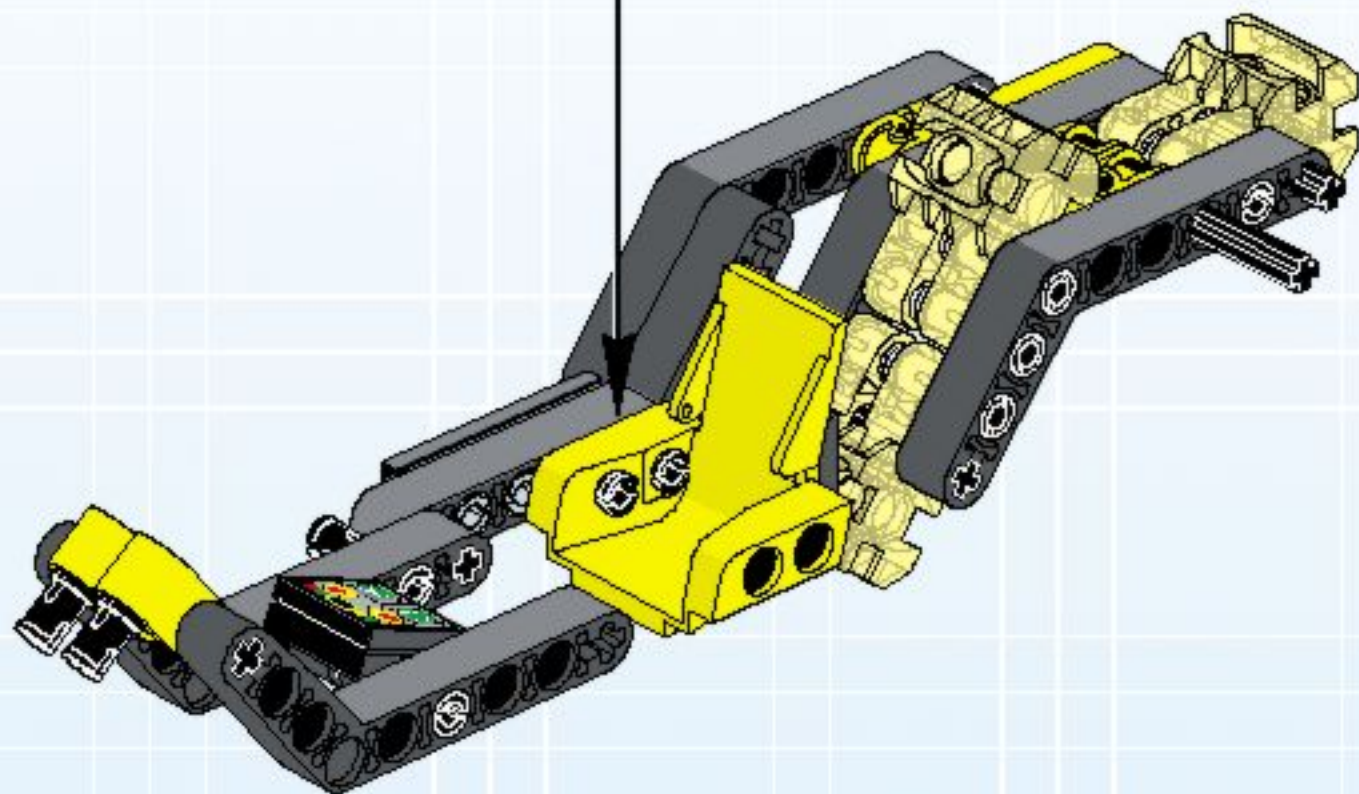
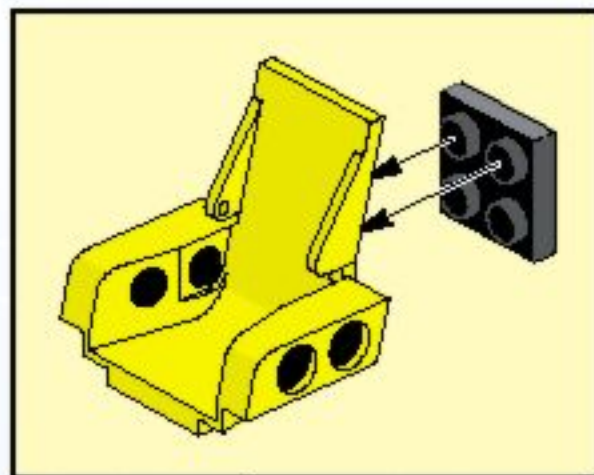


7



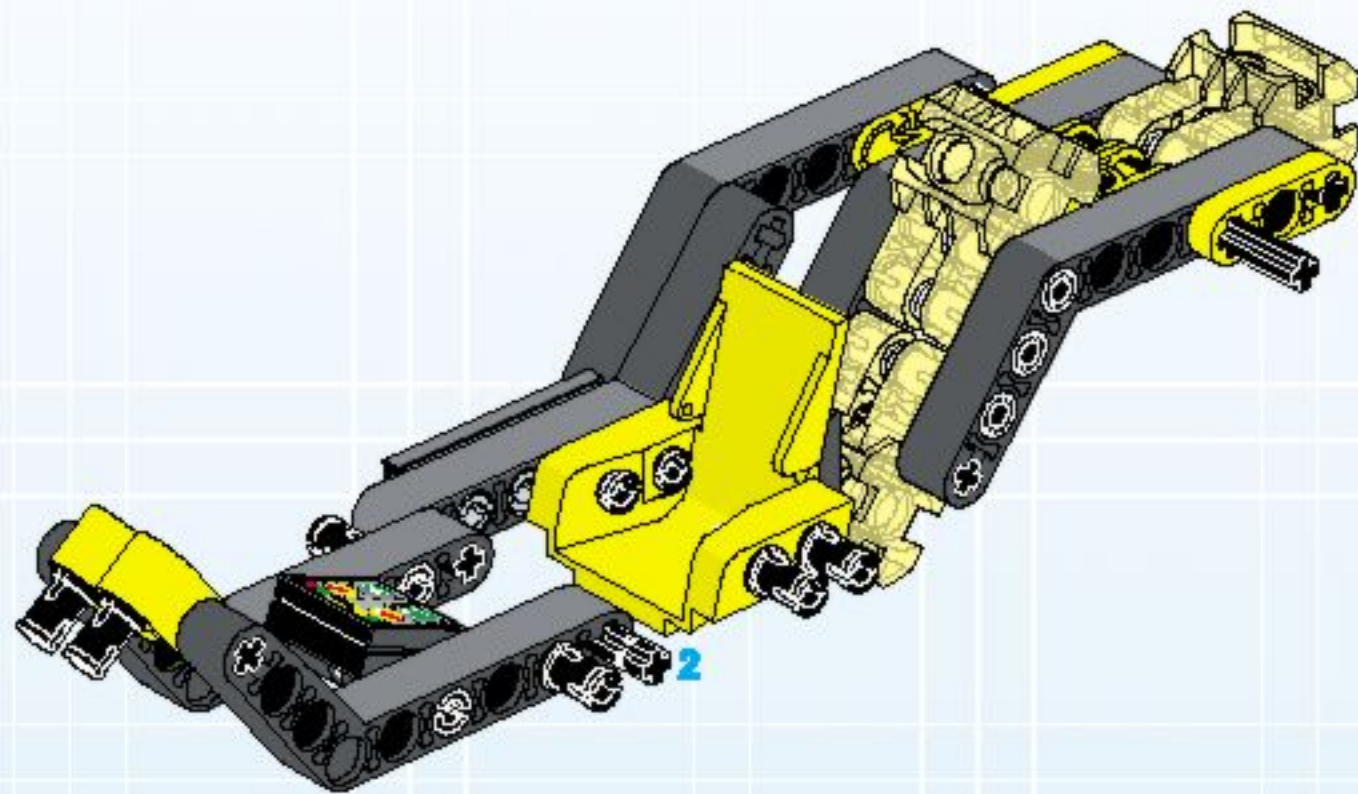


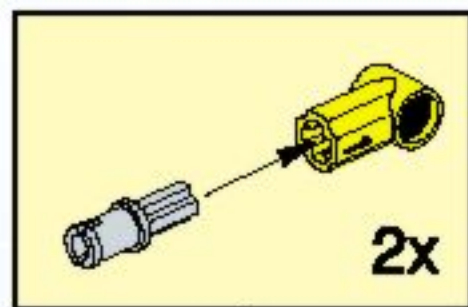
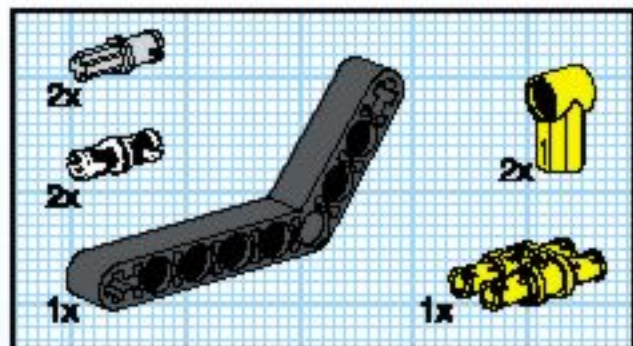
8



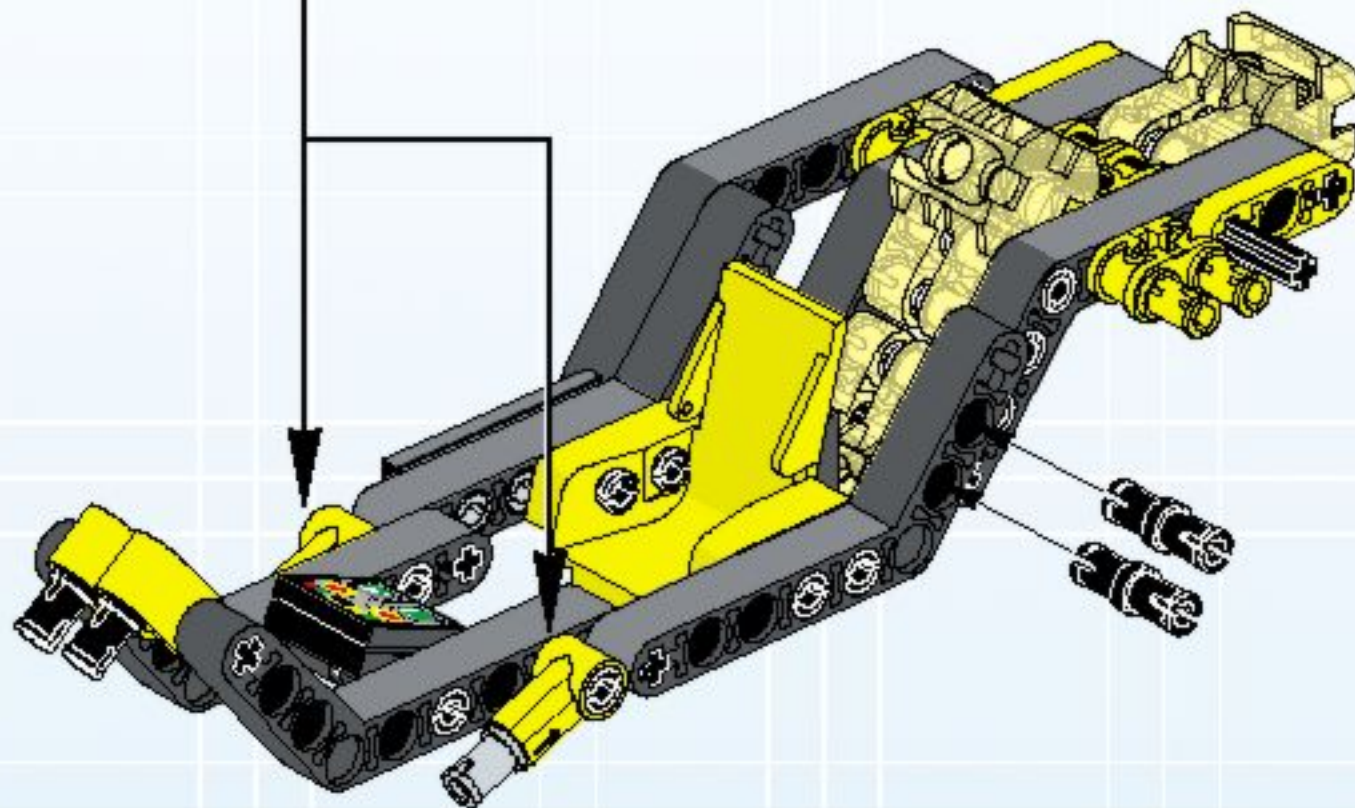


9

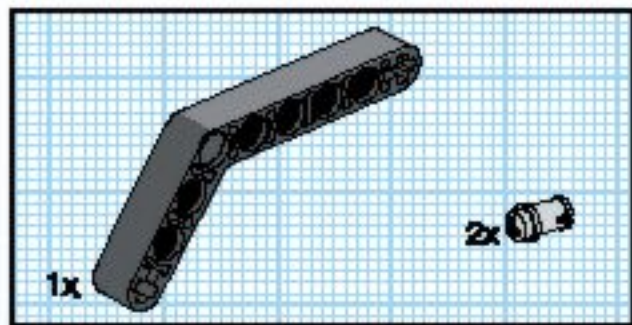




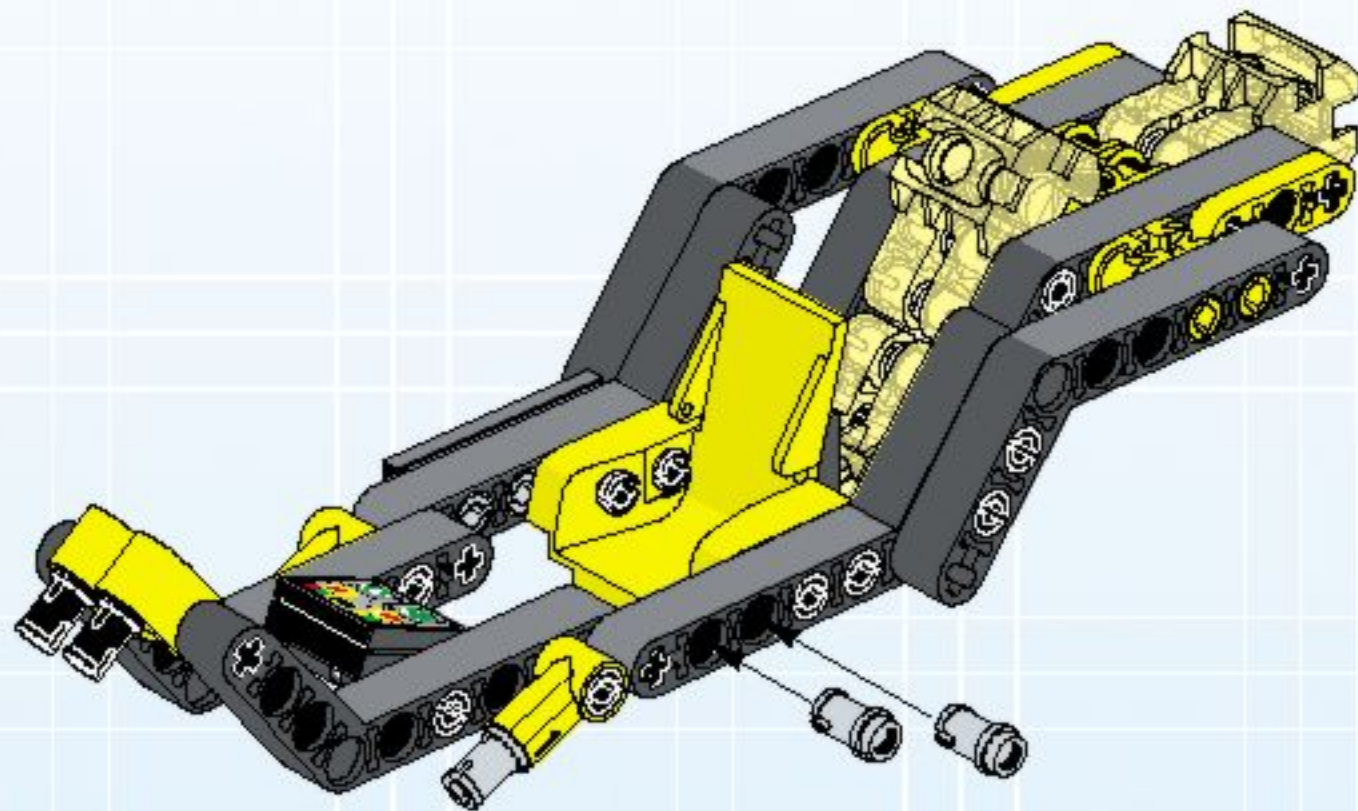
10





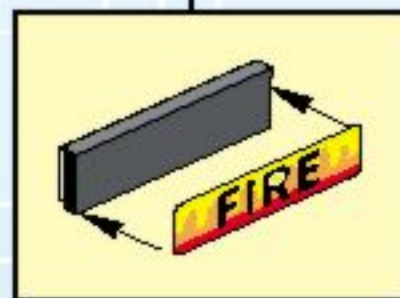
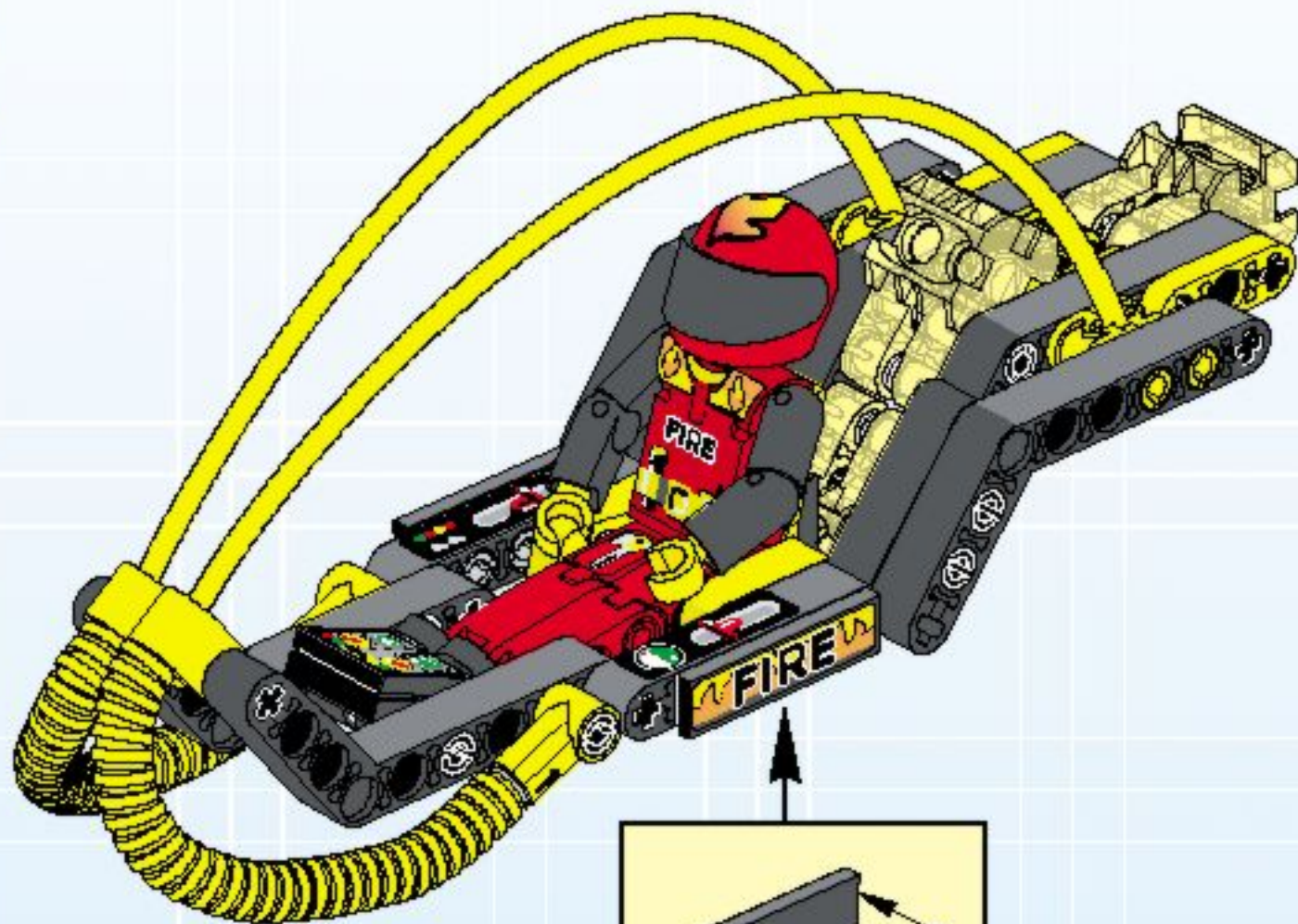


11



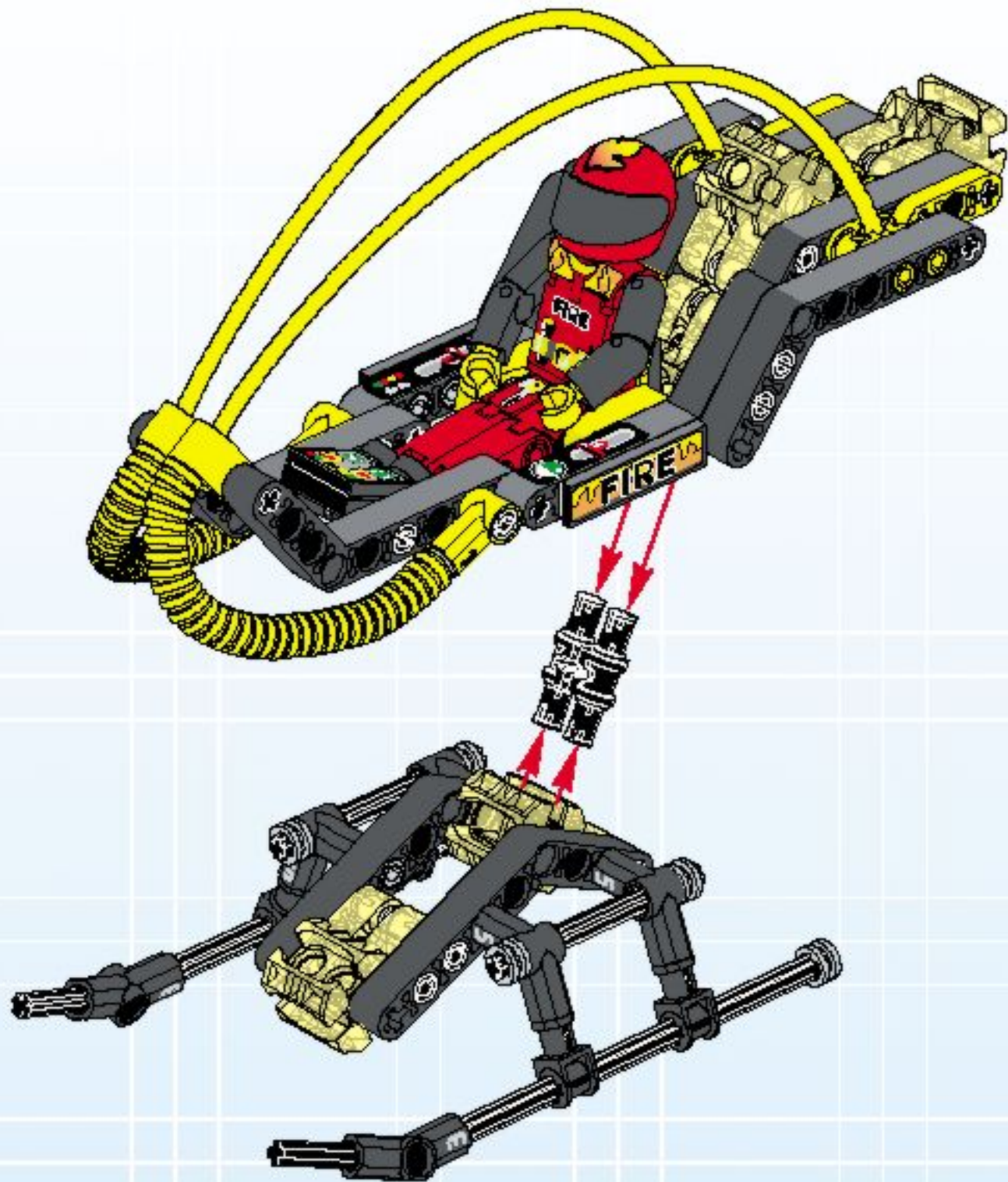


12



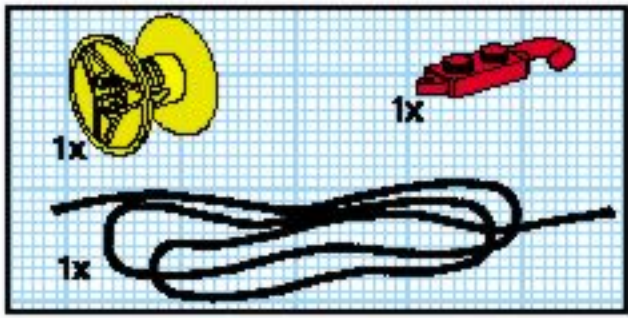


13

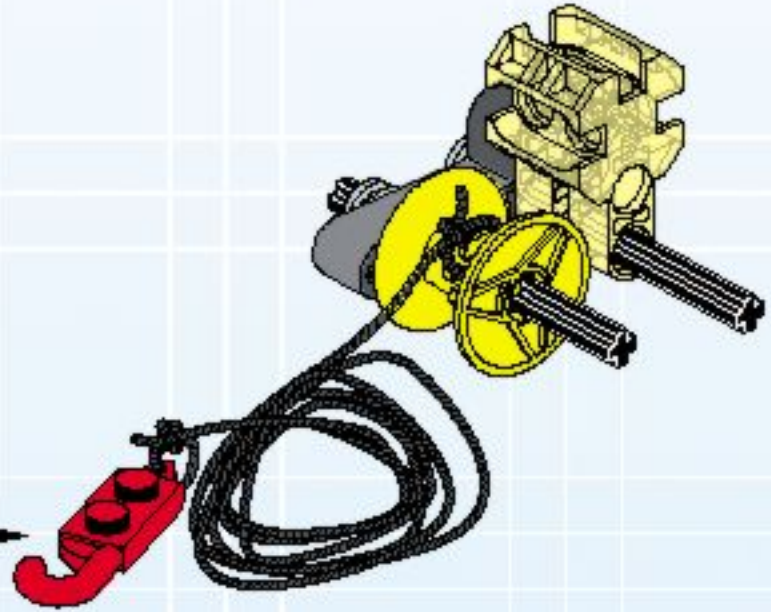
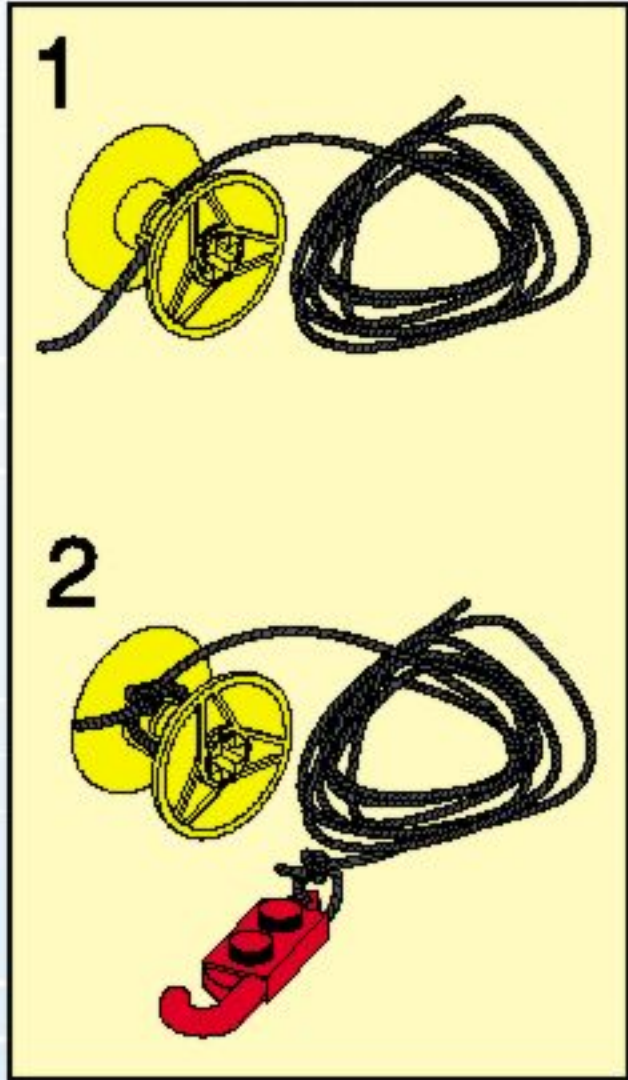


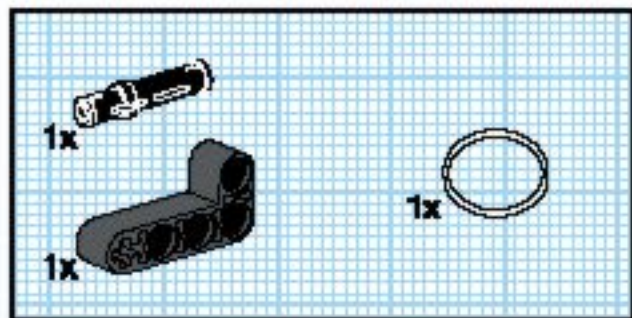




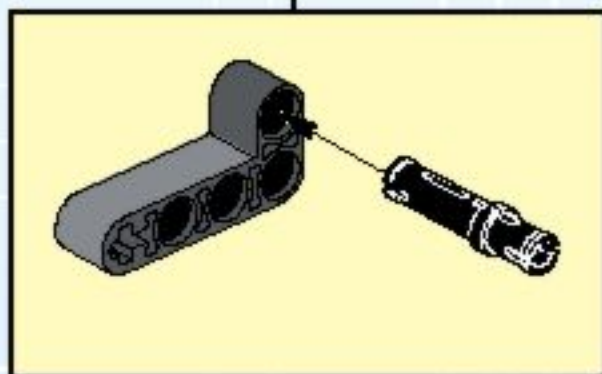
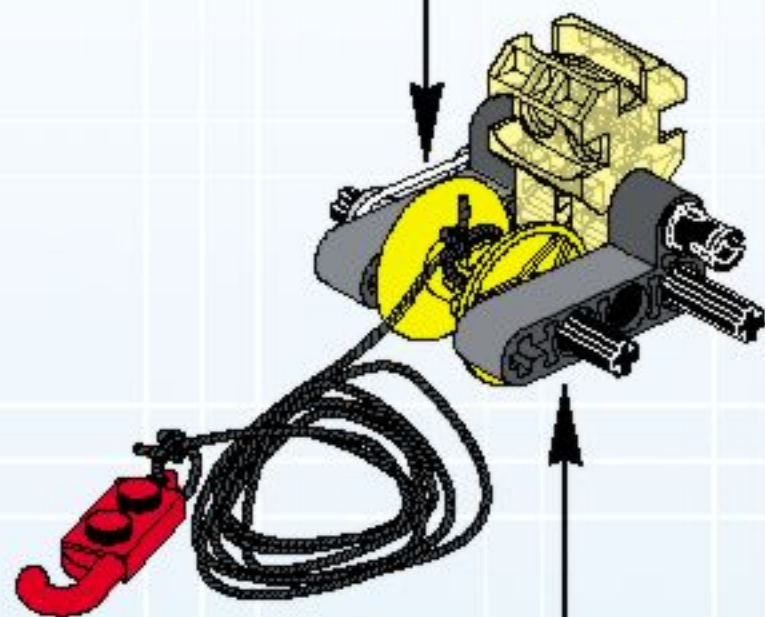
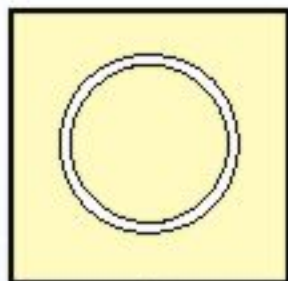


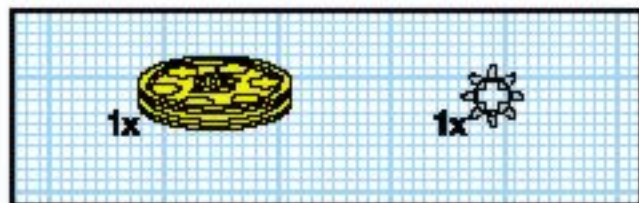
4



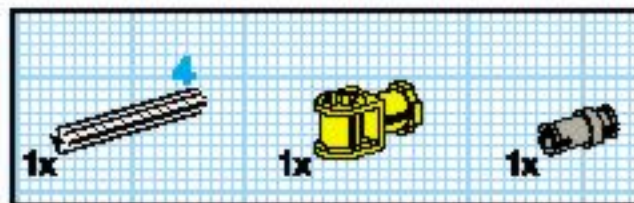
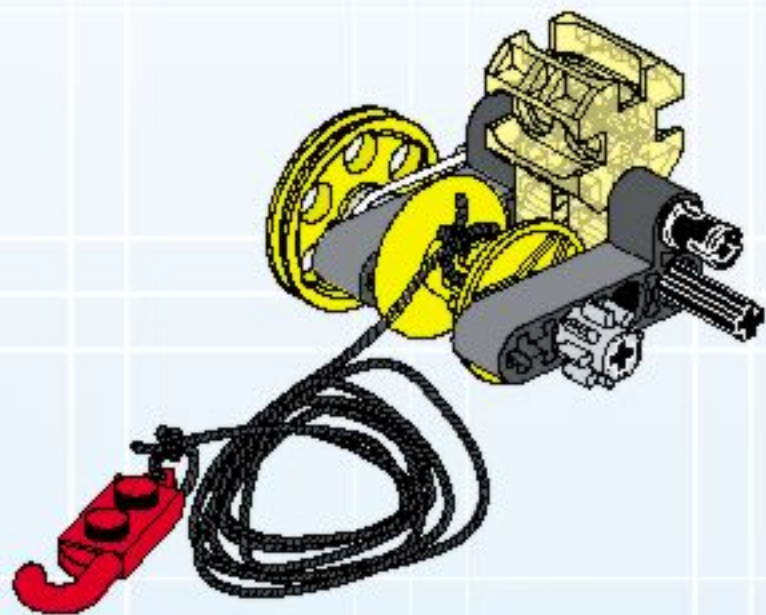


5

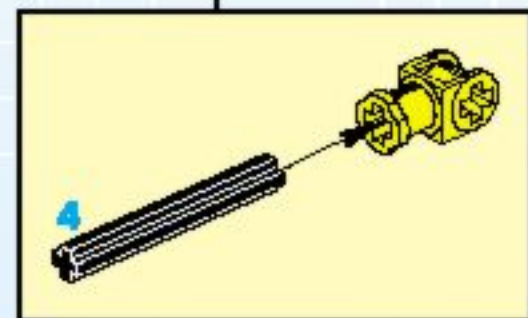
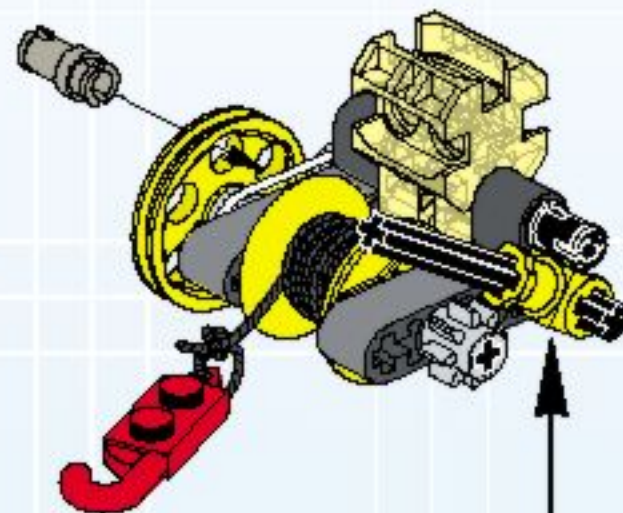




6



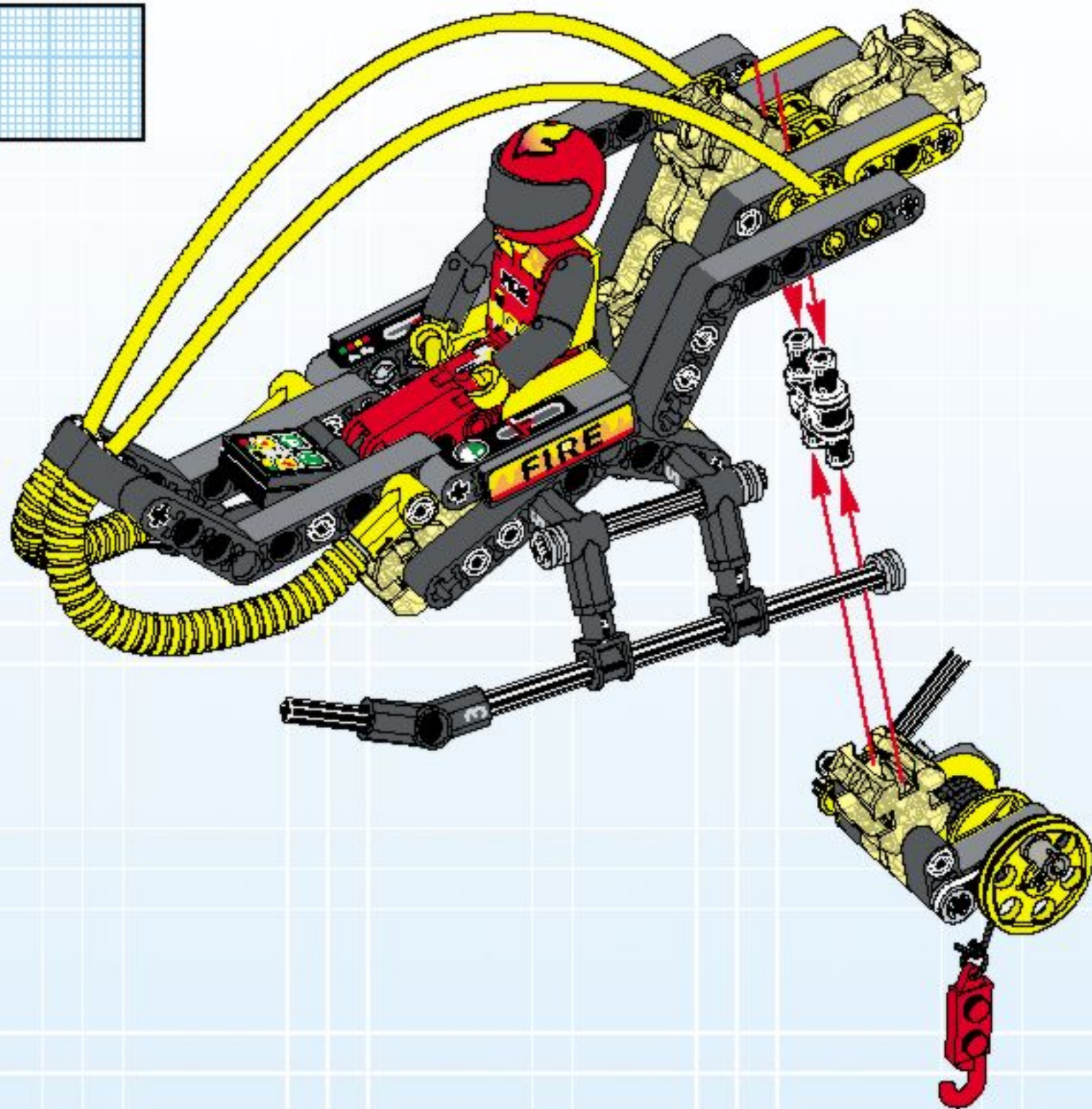
7

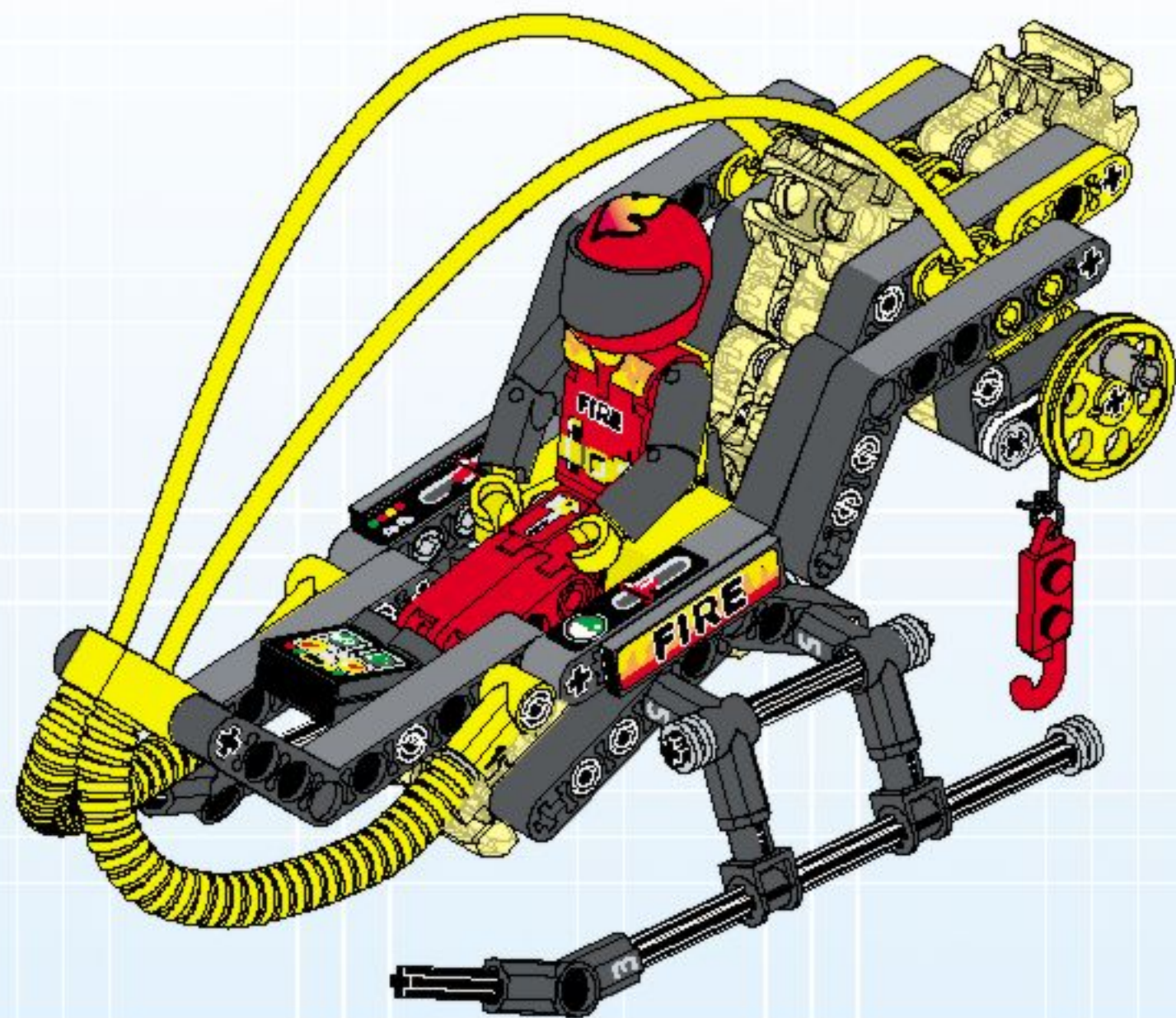


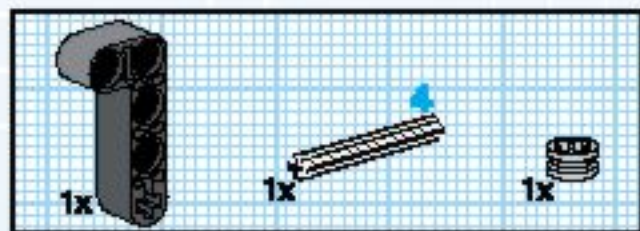




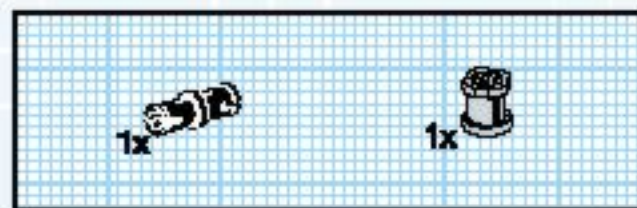
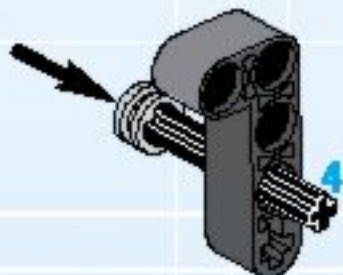
8



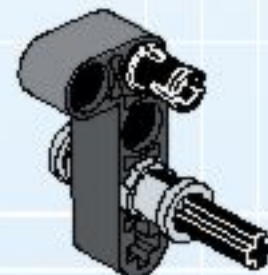


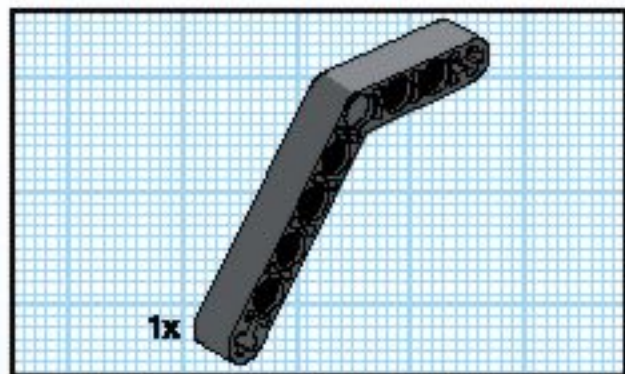


1

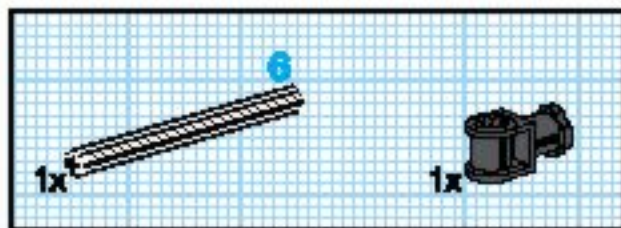
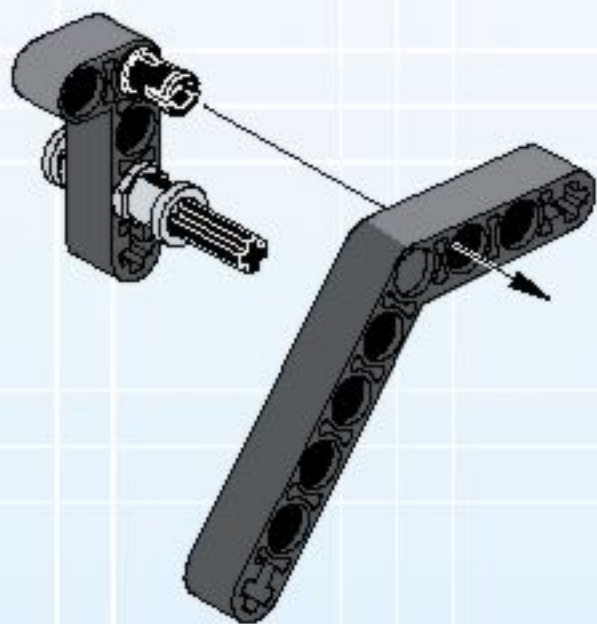


2

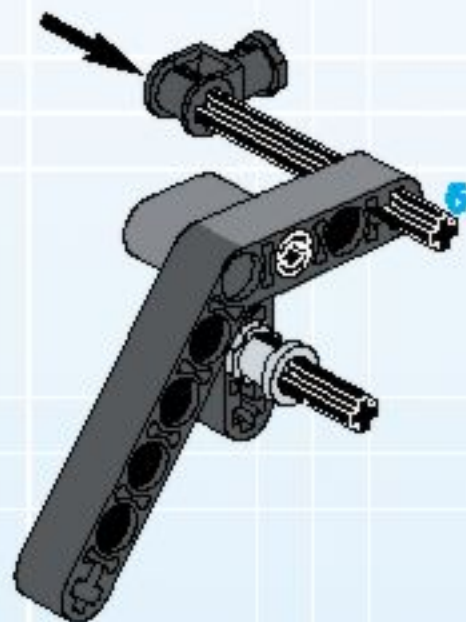




3

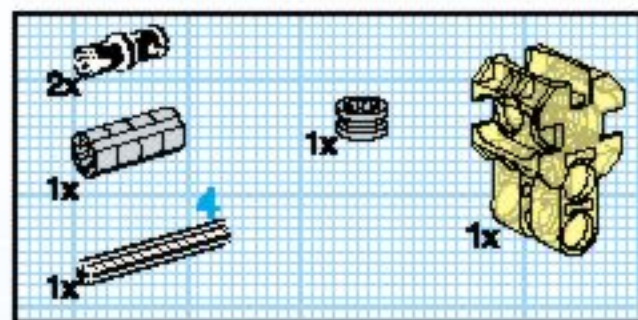
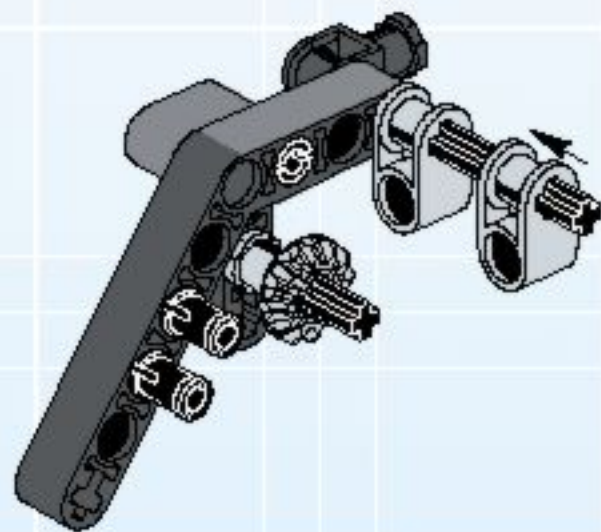


4

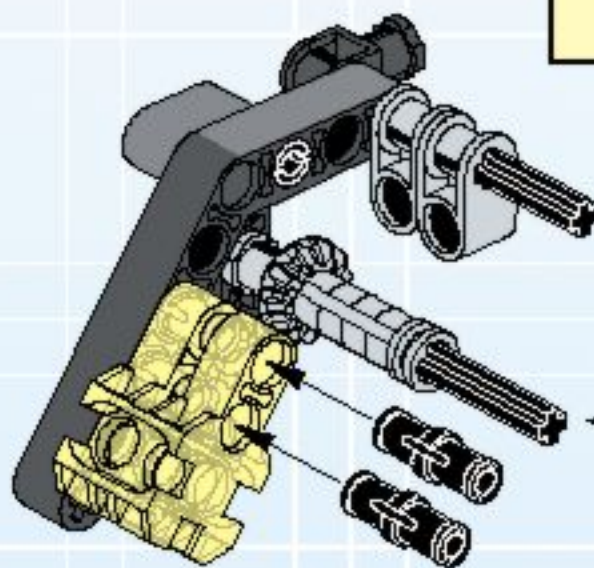
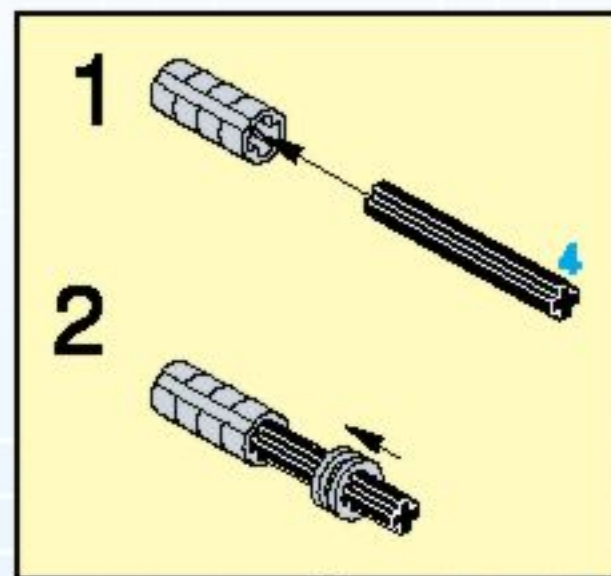


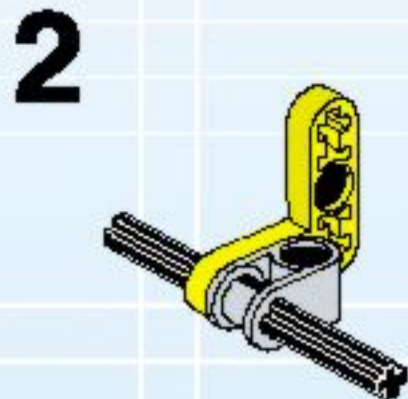
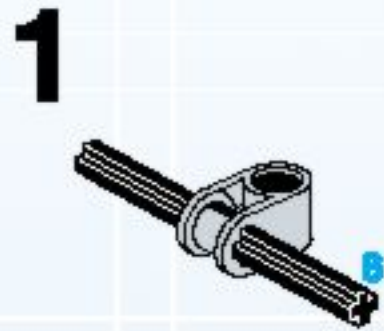
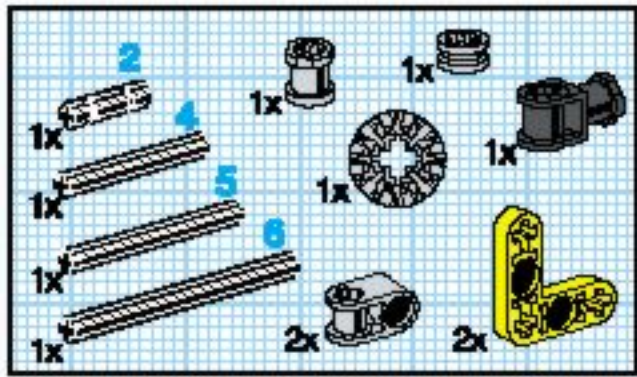


5

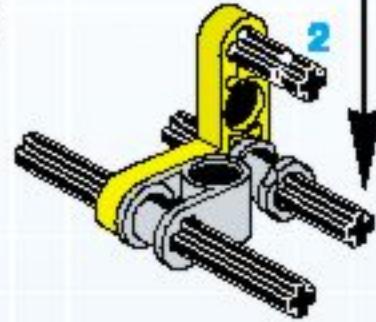


6

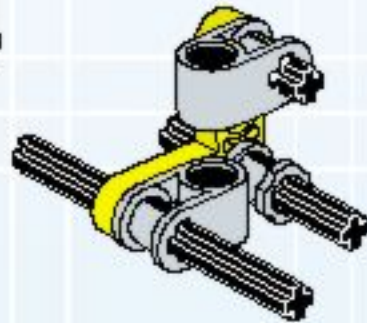




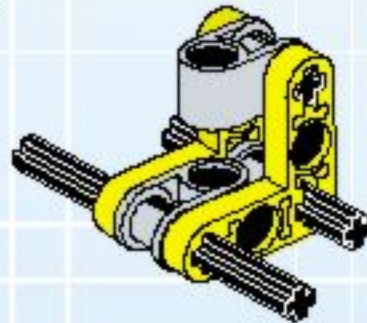
**3**



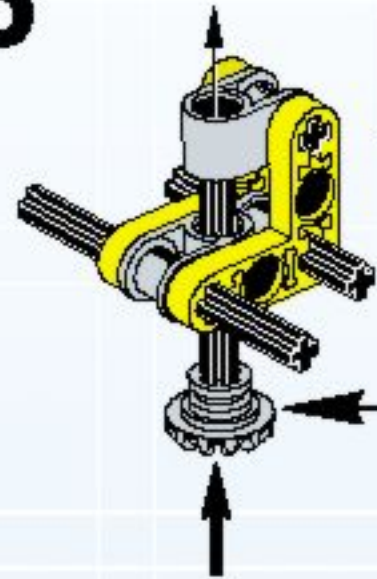
**4**



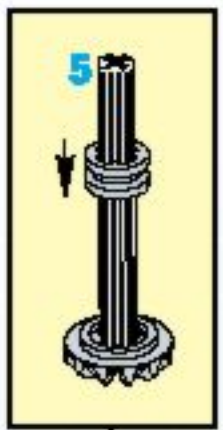
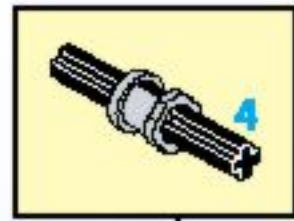
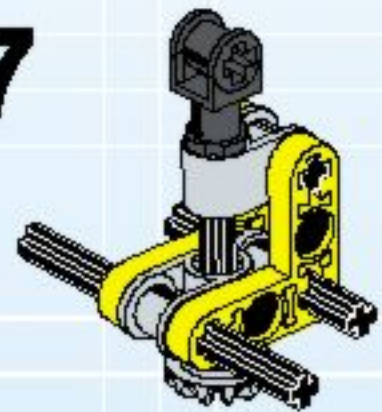
**5**



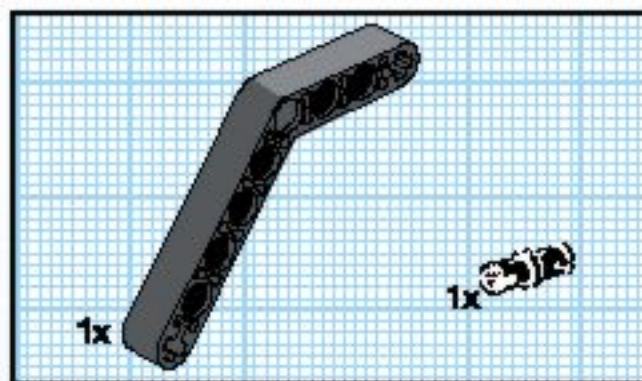
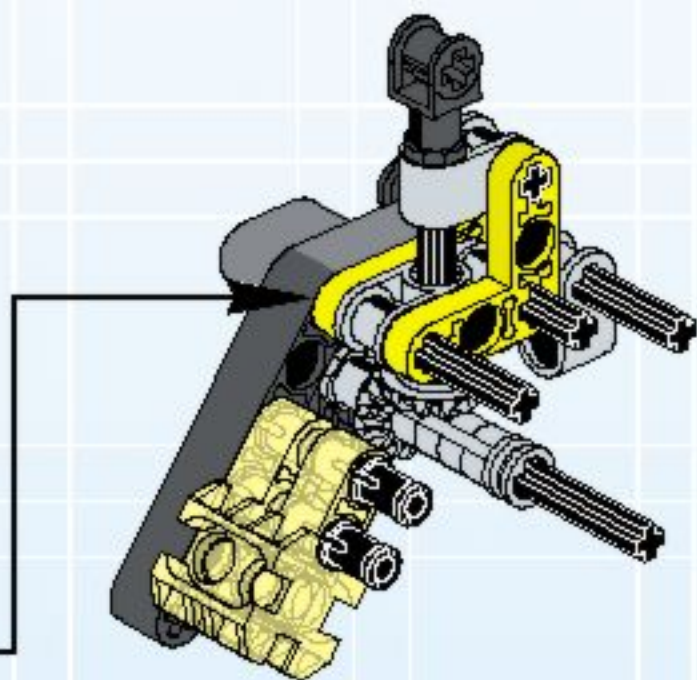
**6**



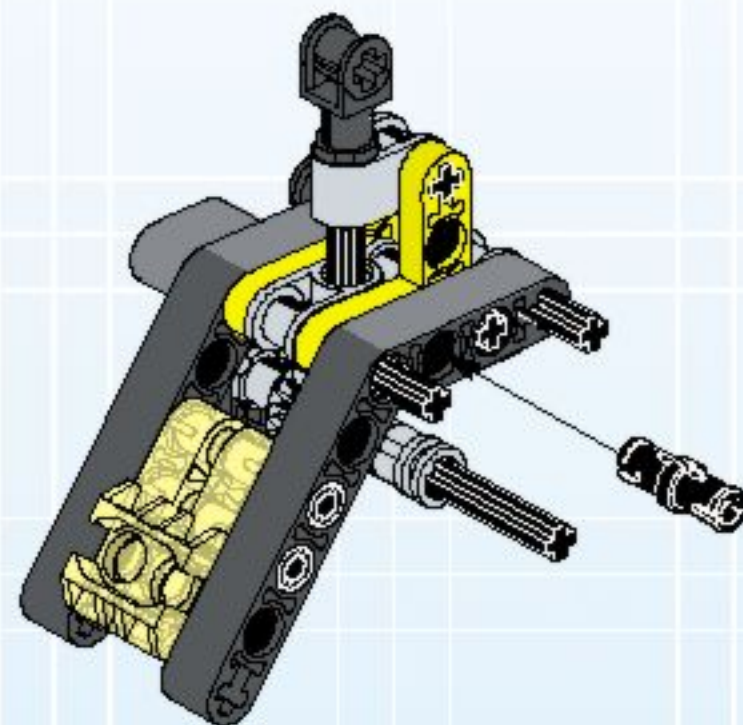
**7**

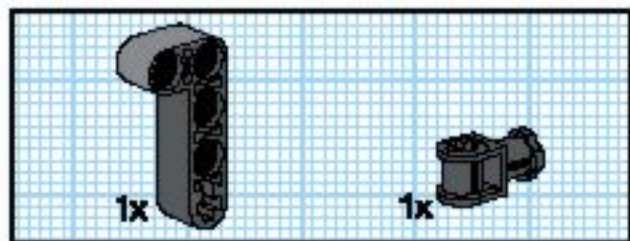


7

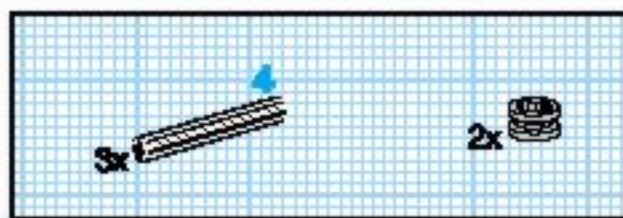
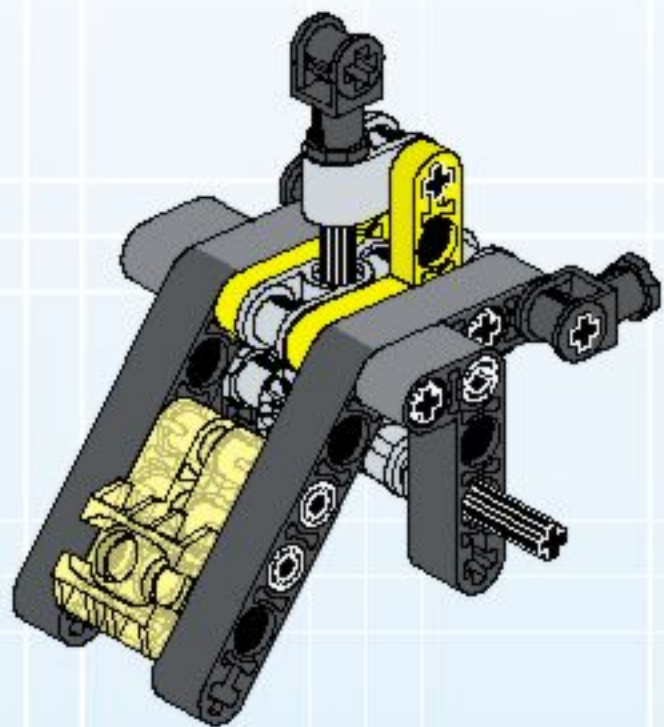


8

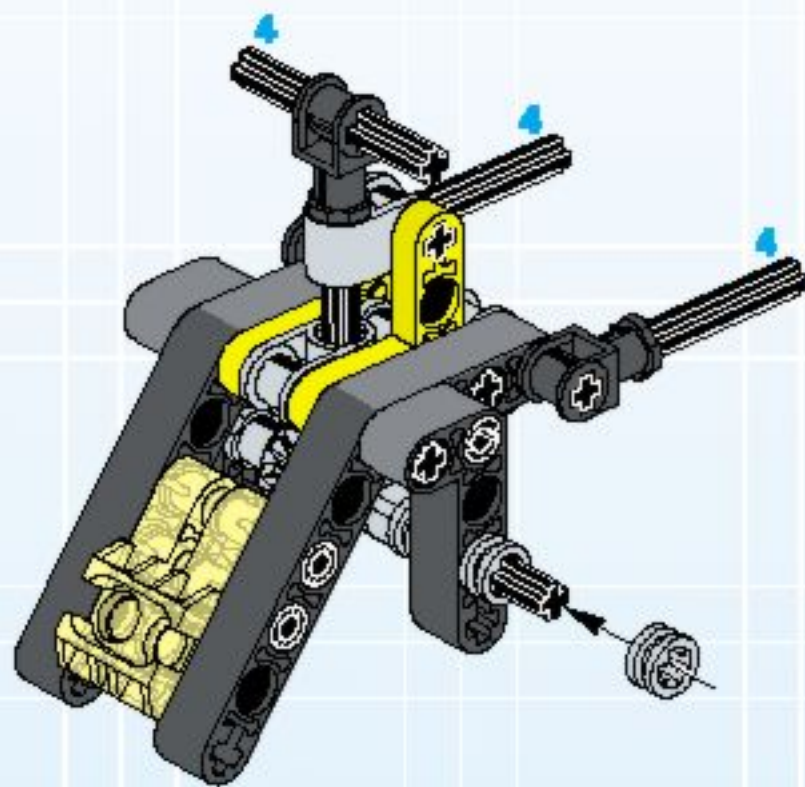




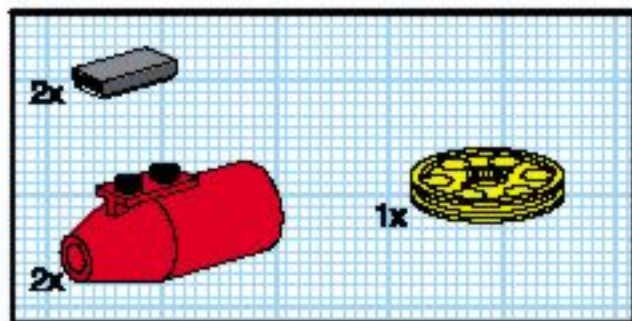
9



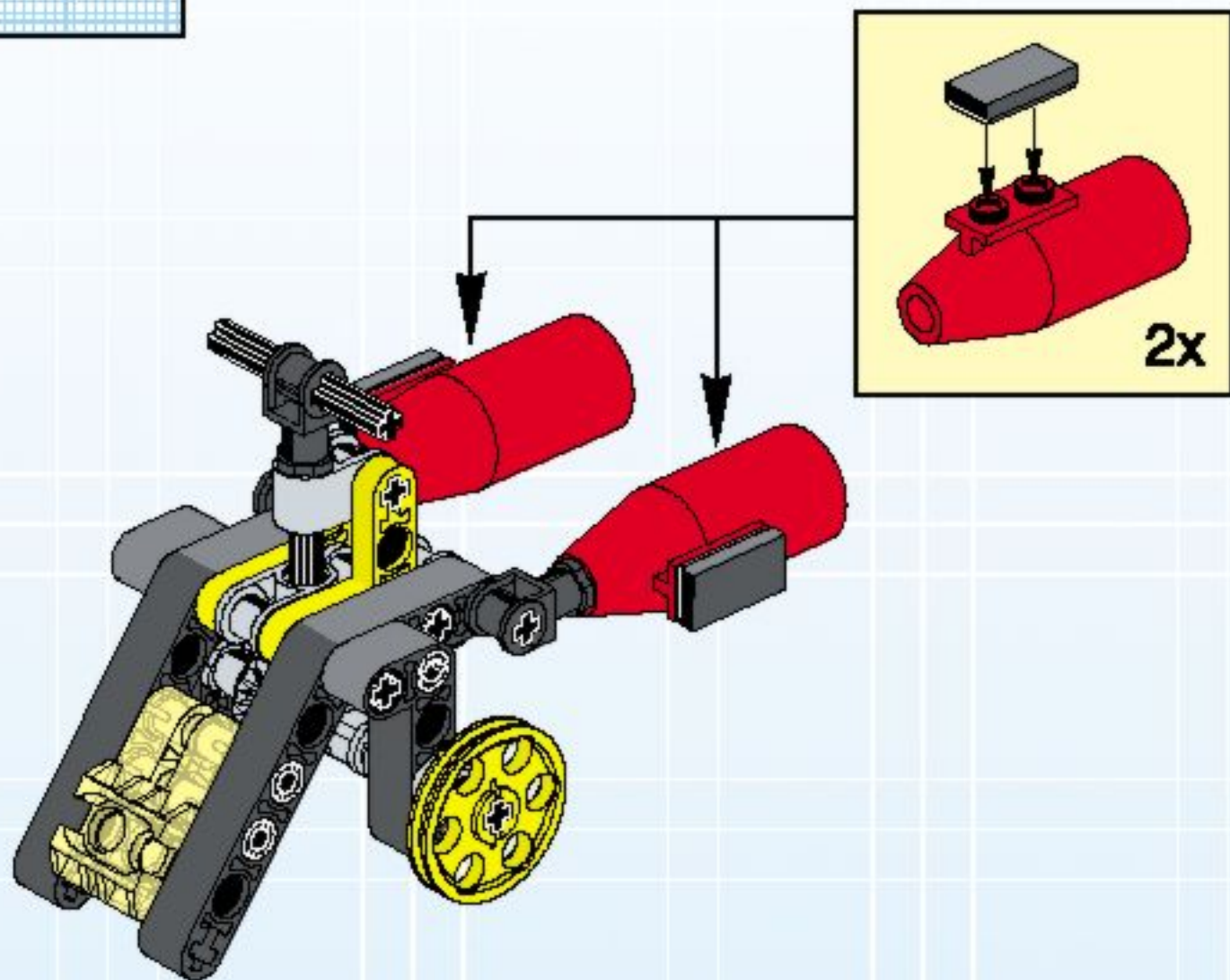
10

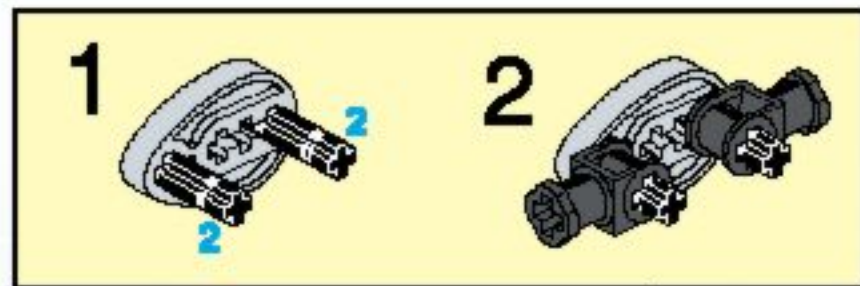
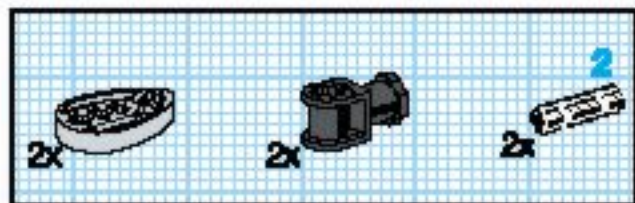




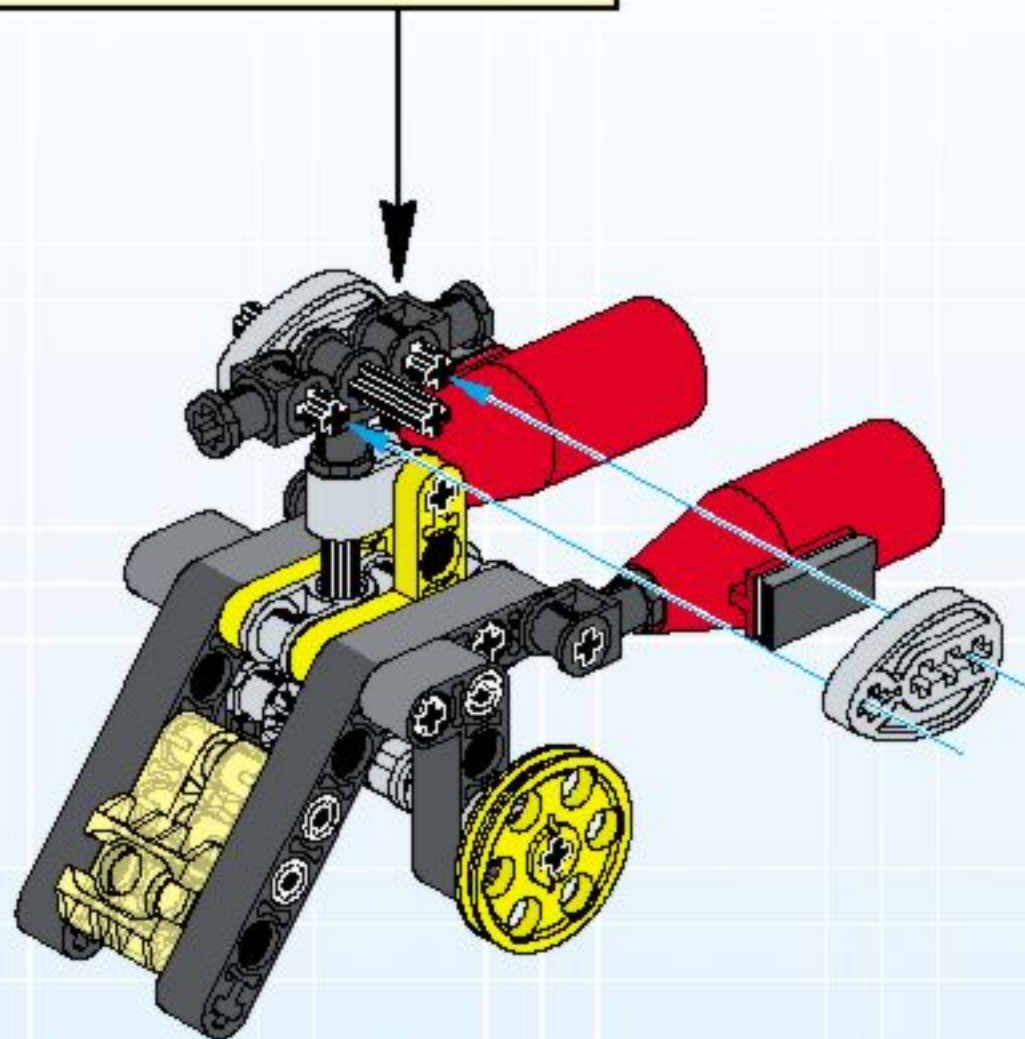


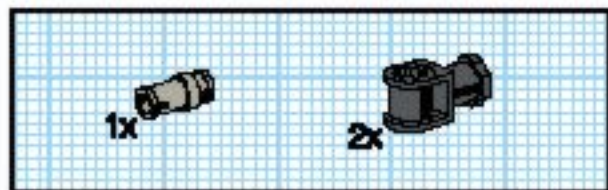
11



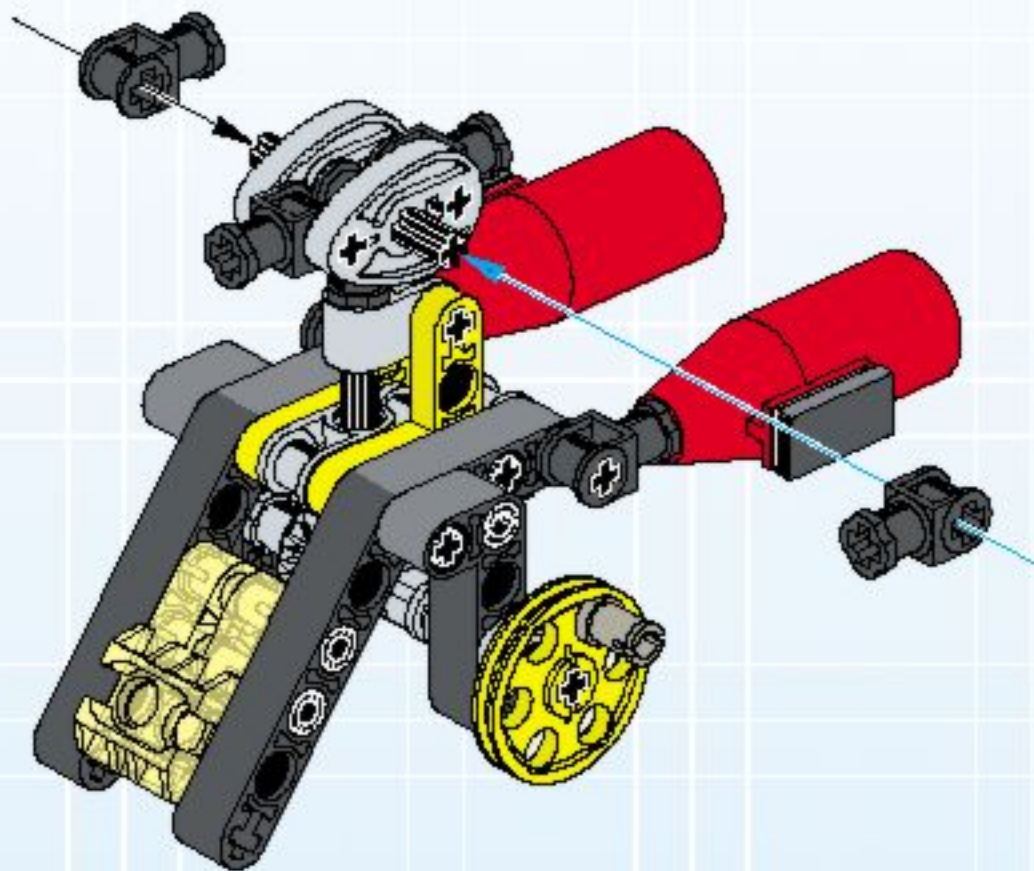


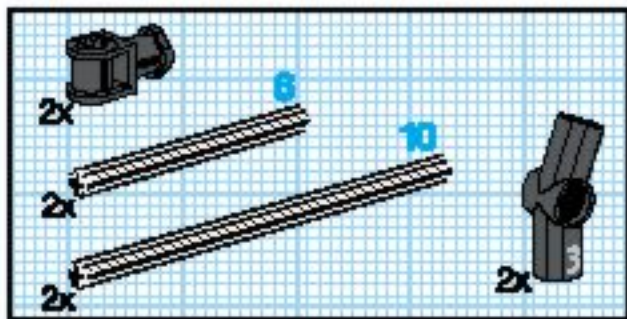
12



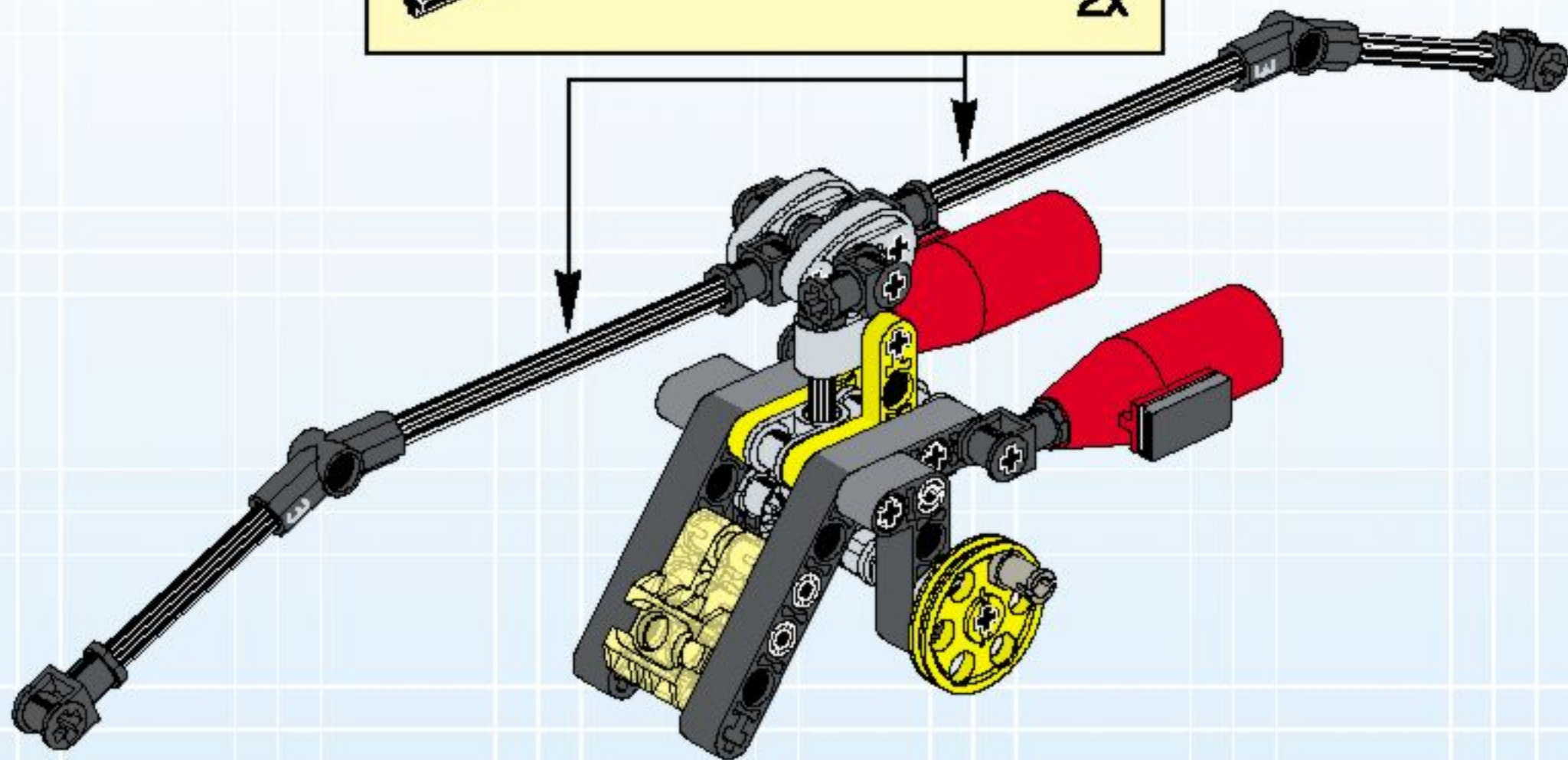
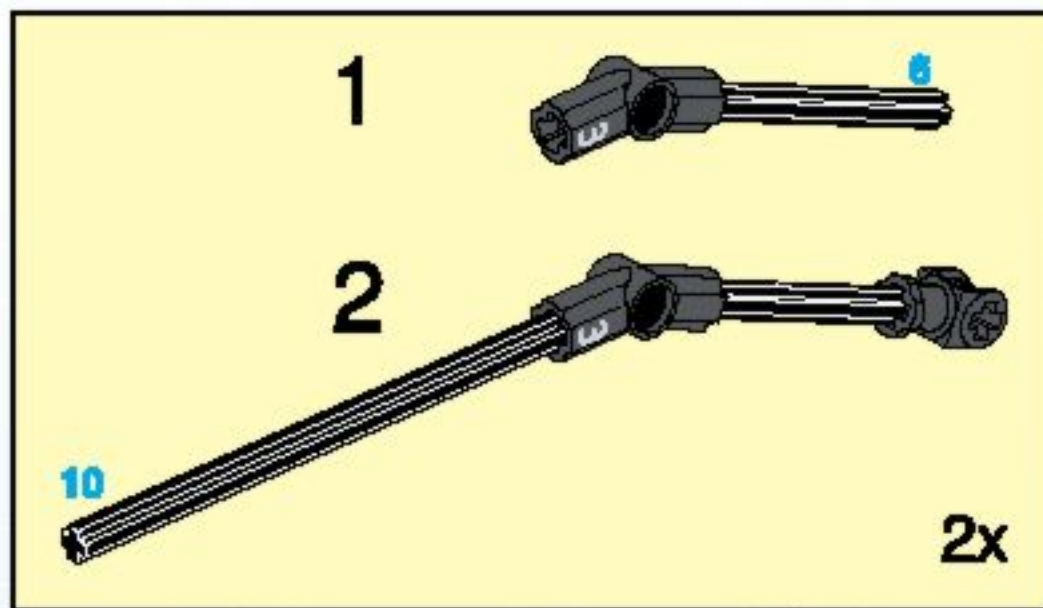


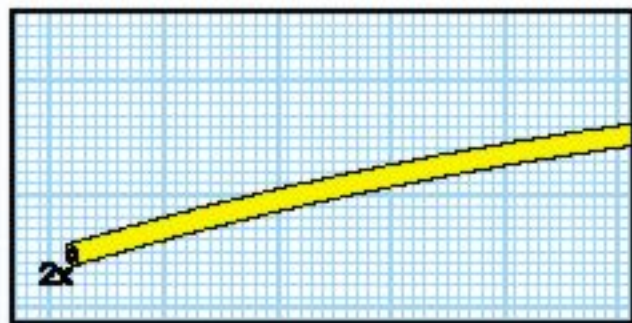
13



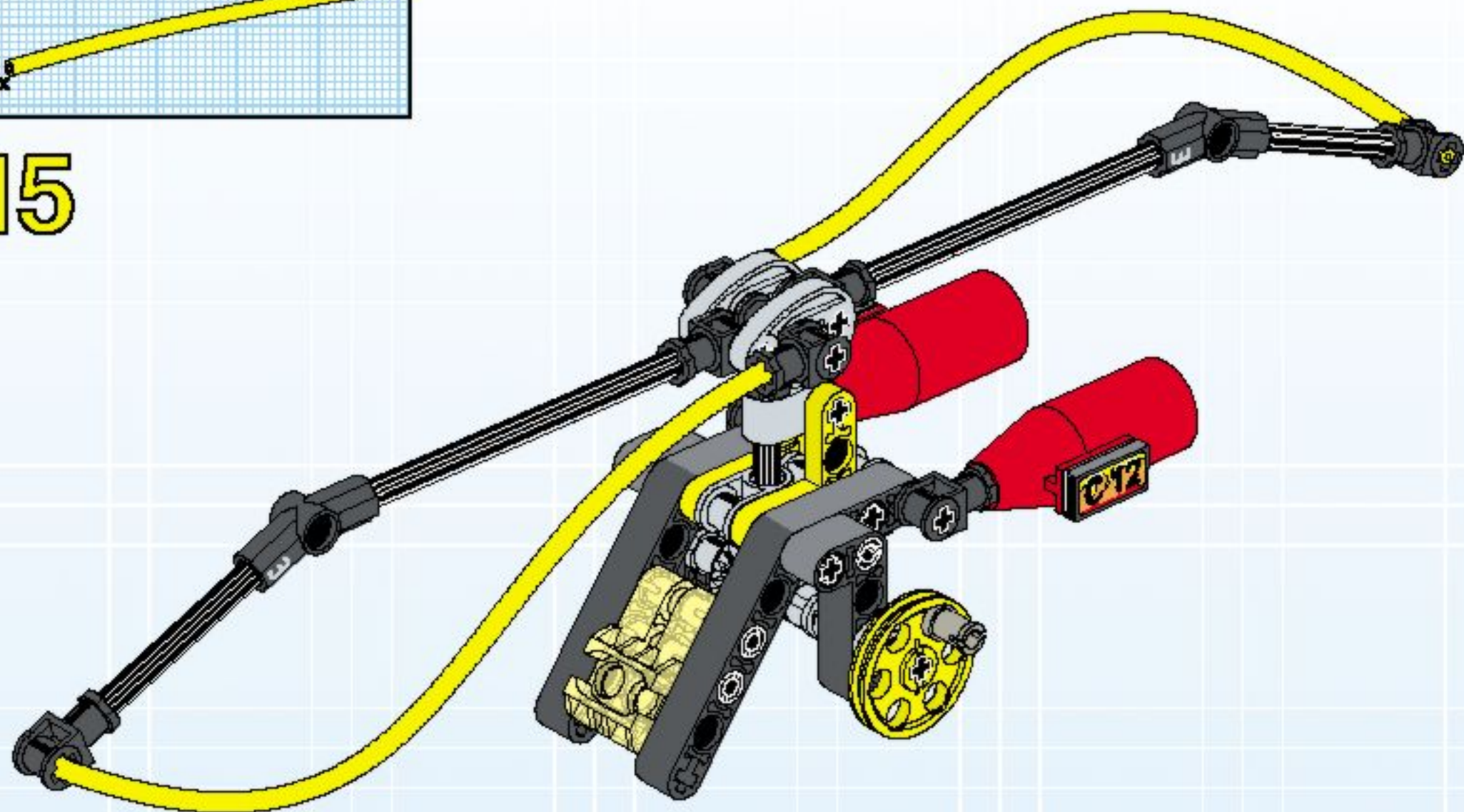


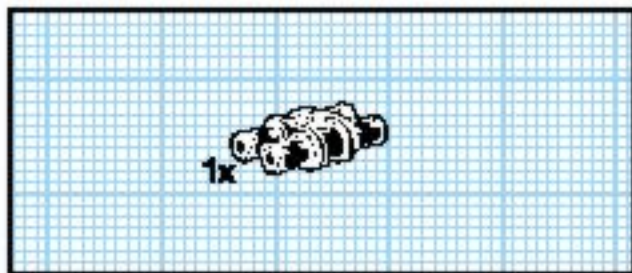
14



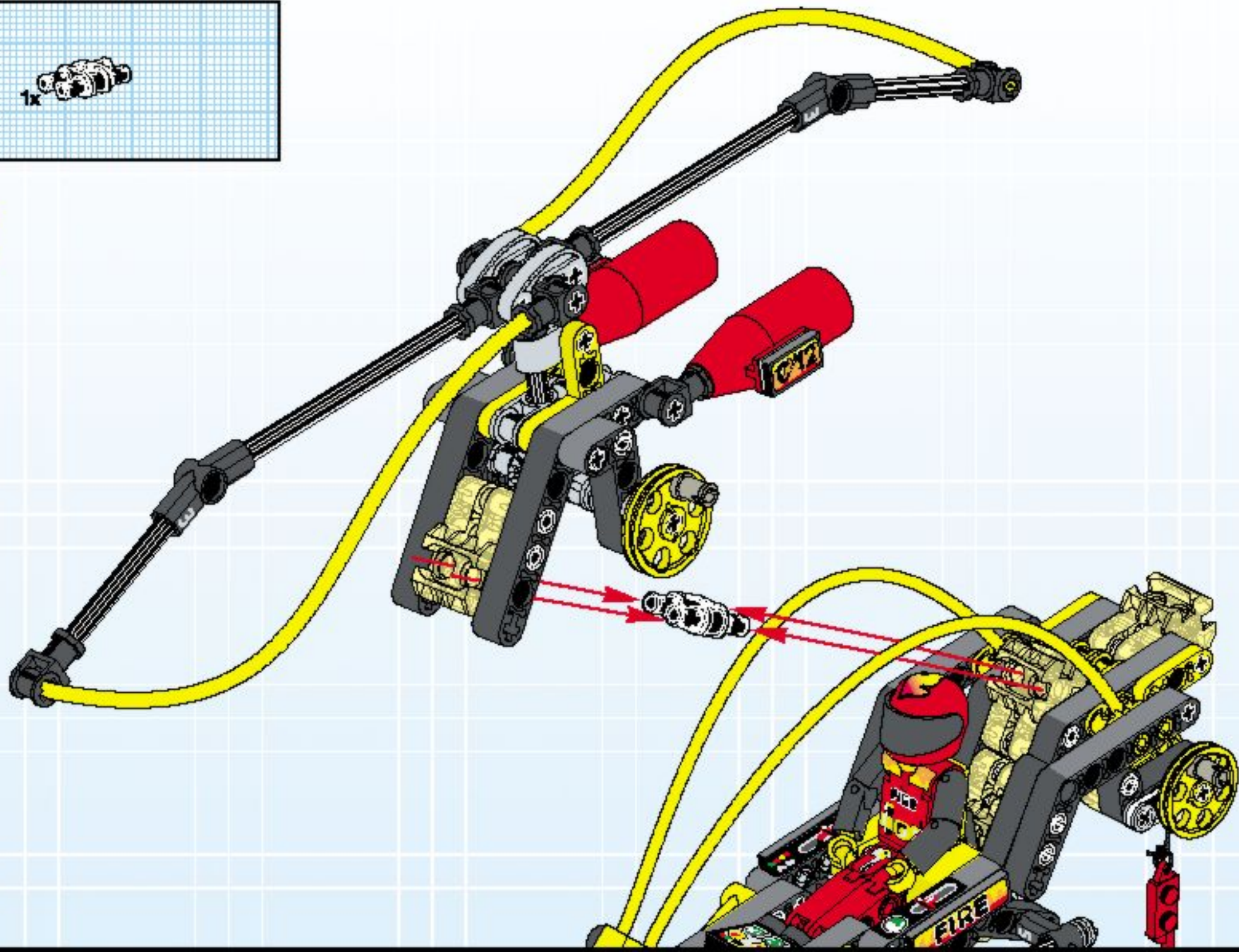


15

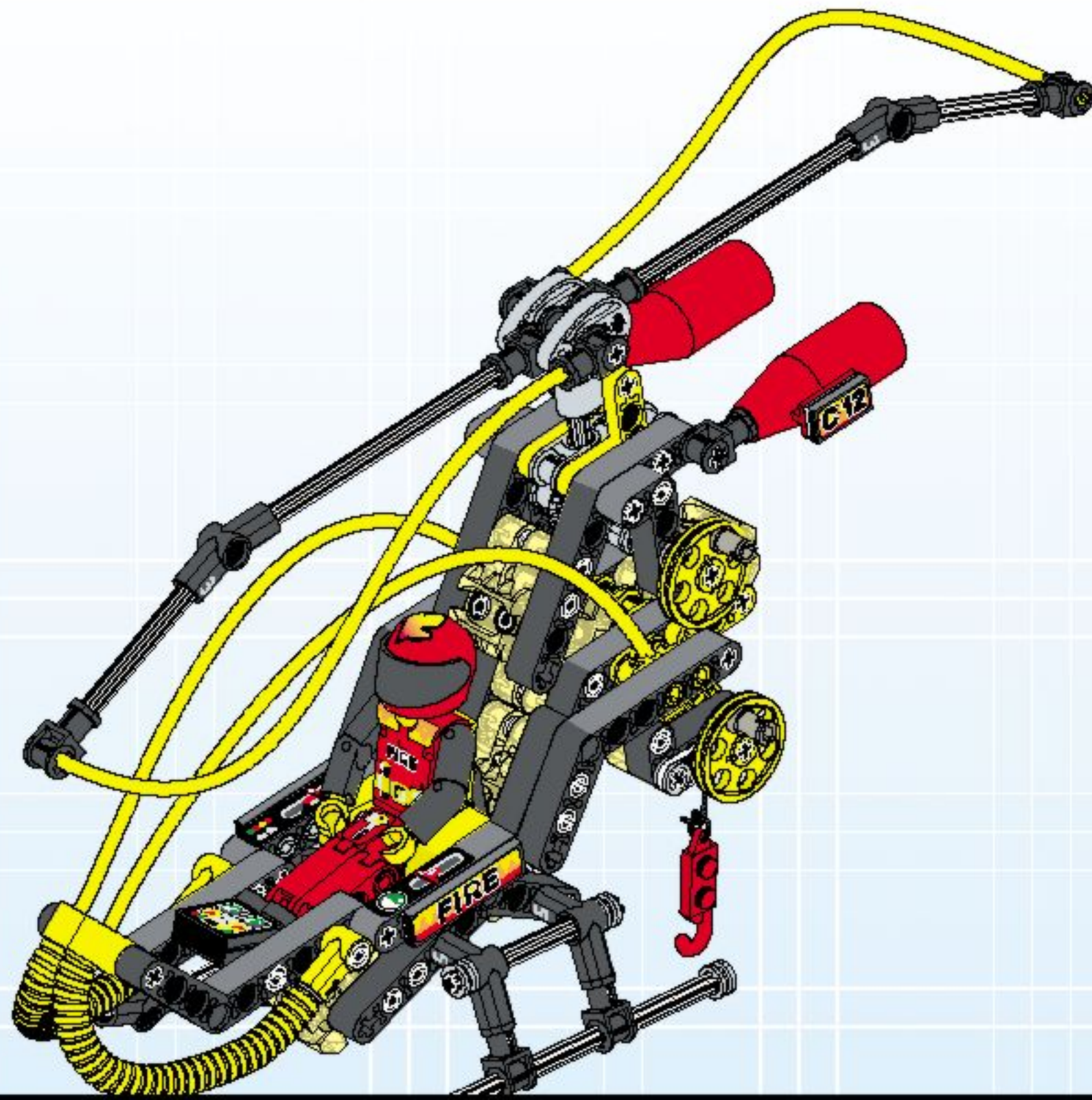




16



17

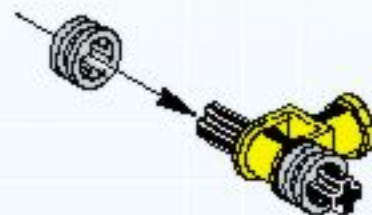




1



2



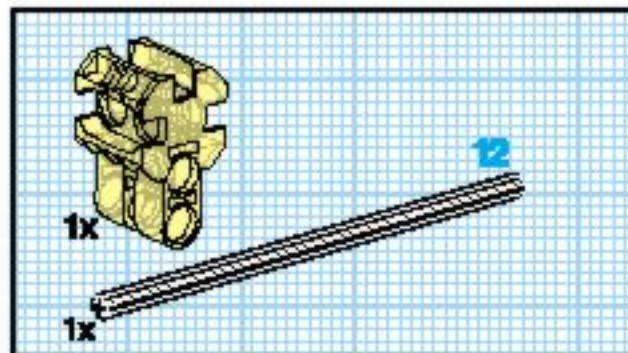
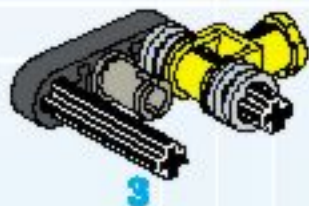
3



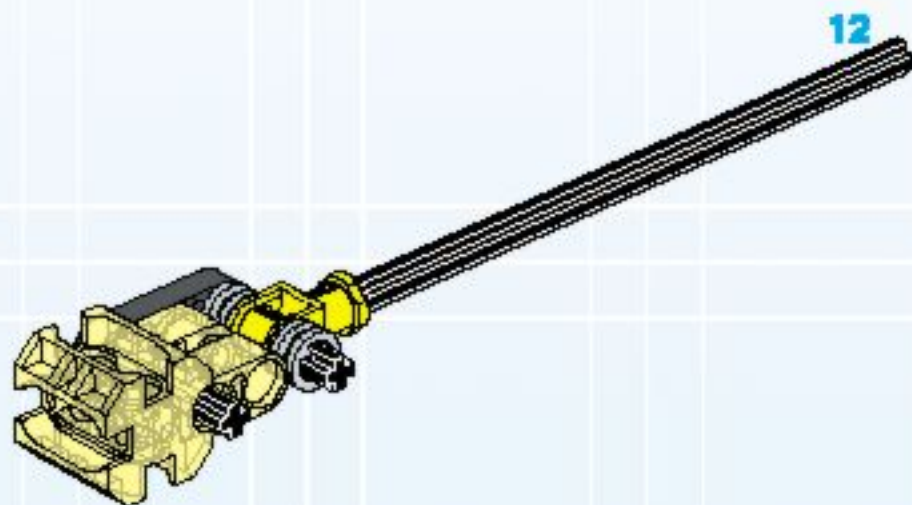


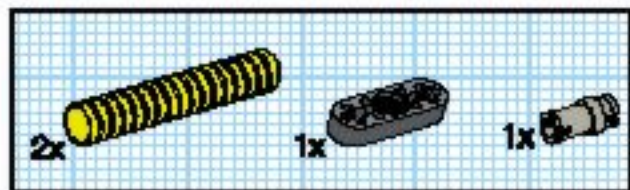


4

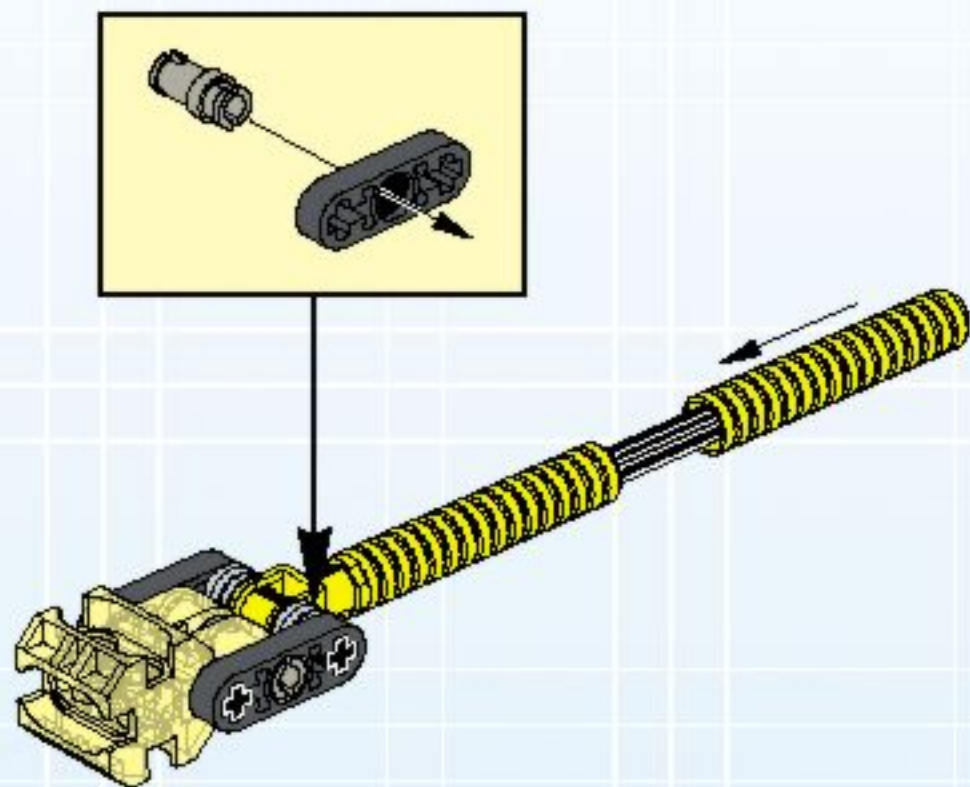


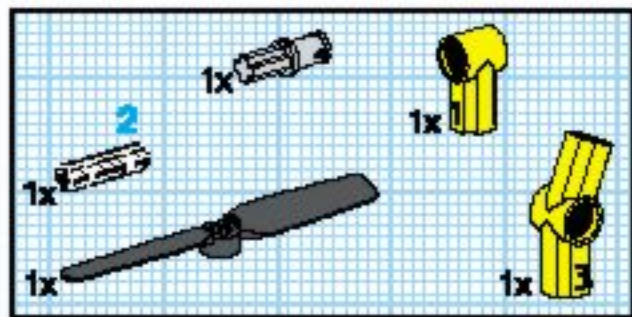
5



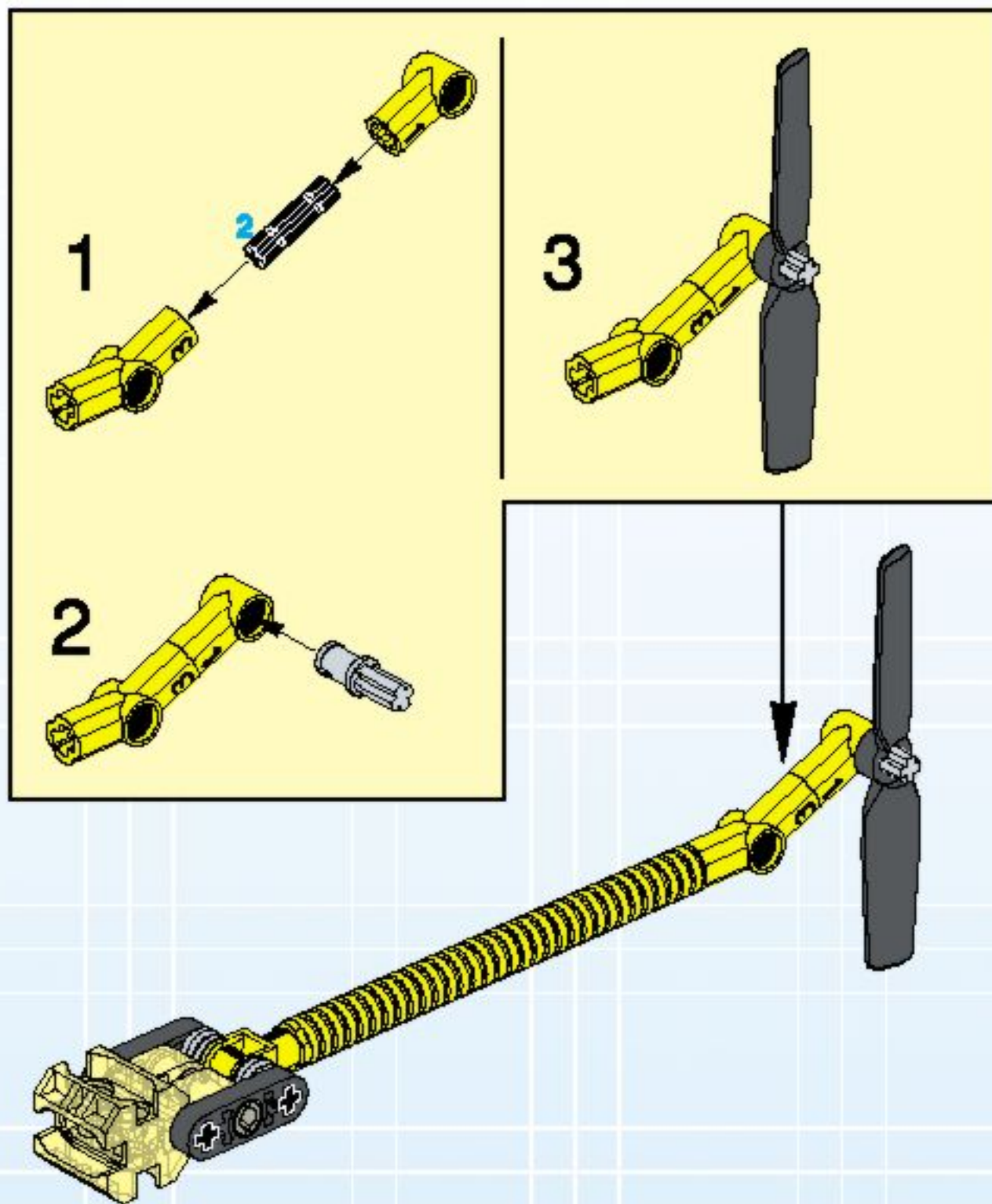


6



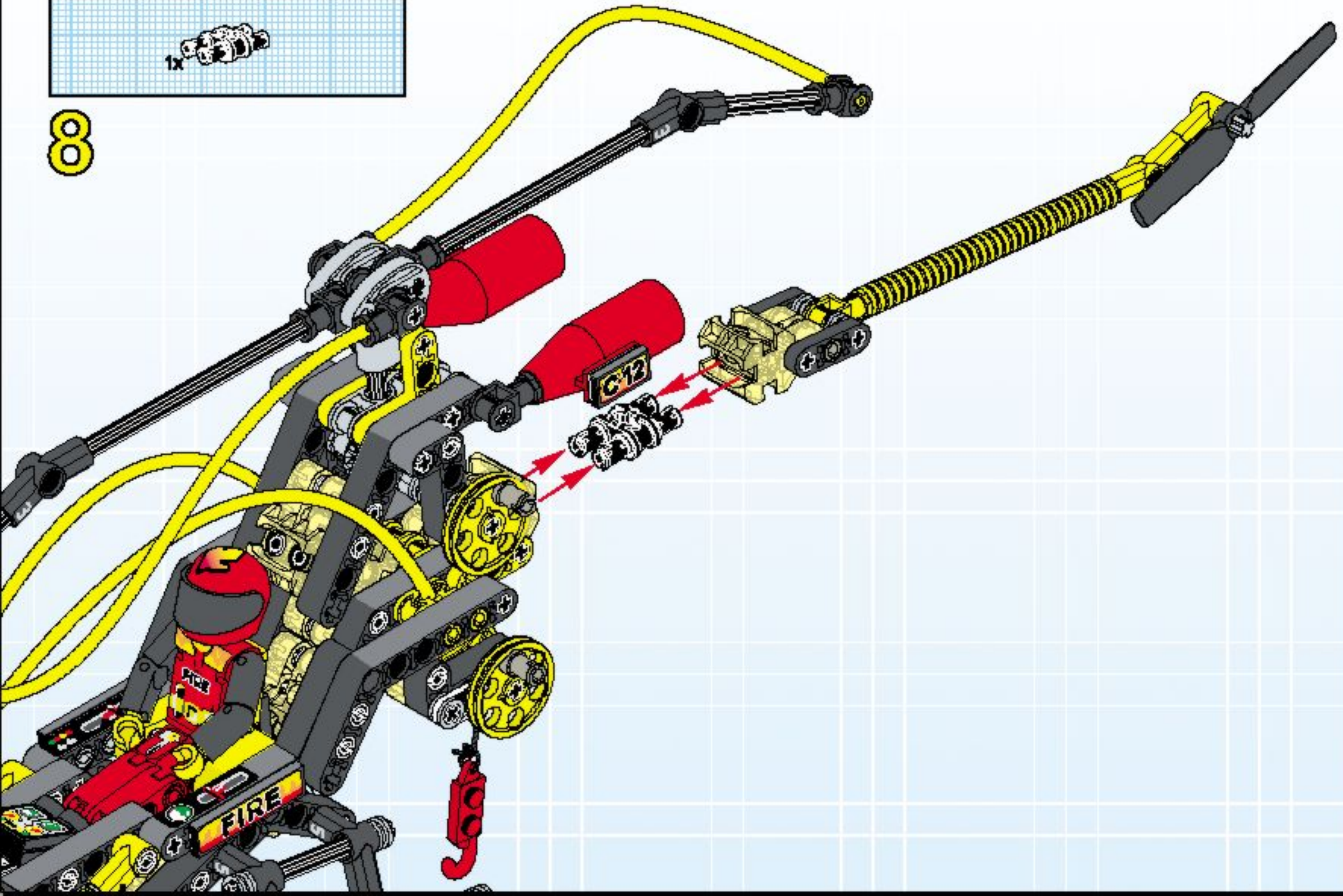


7

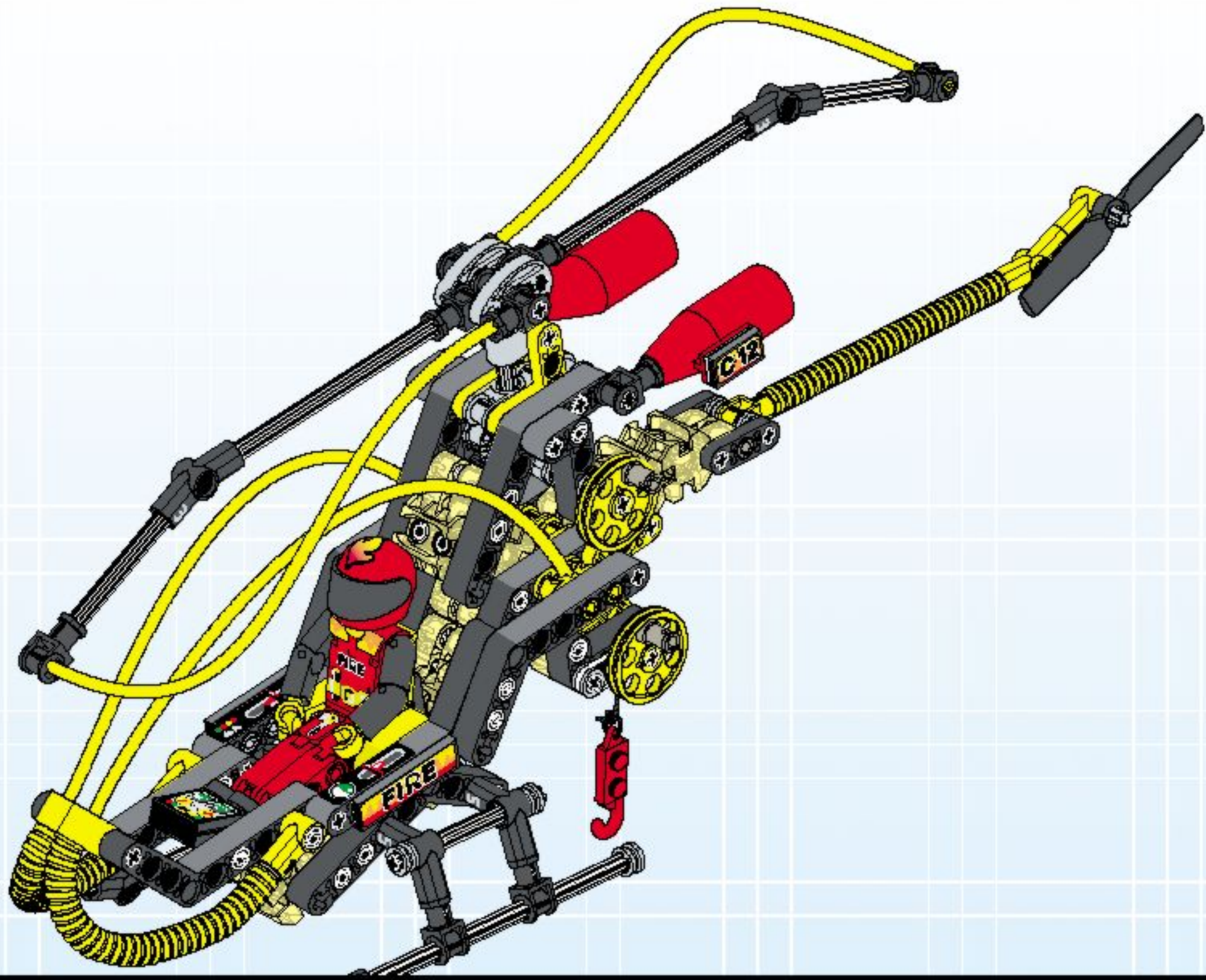




8



9



1



2



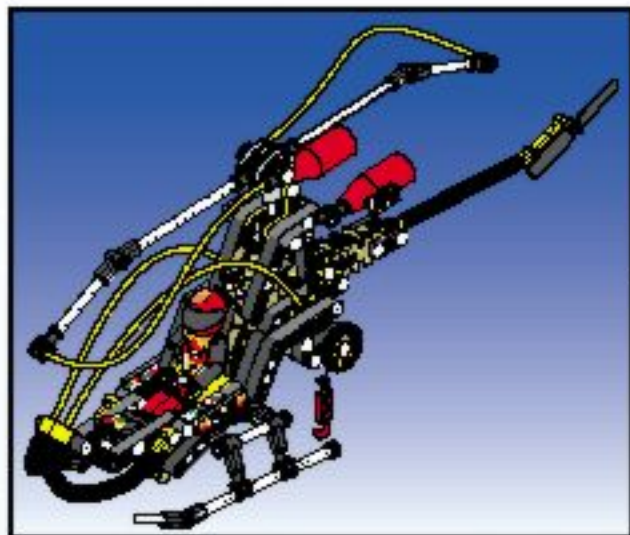
1





2

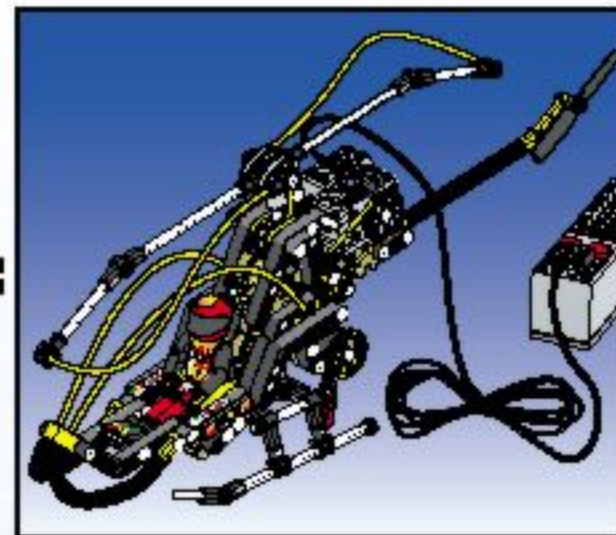




+



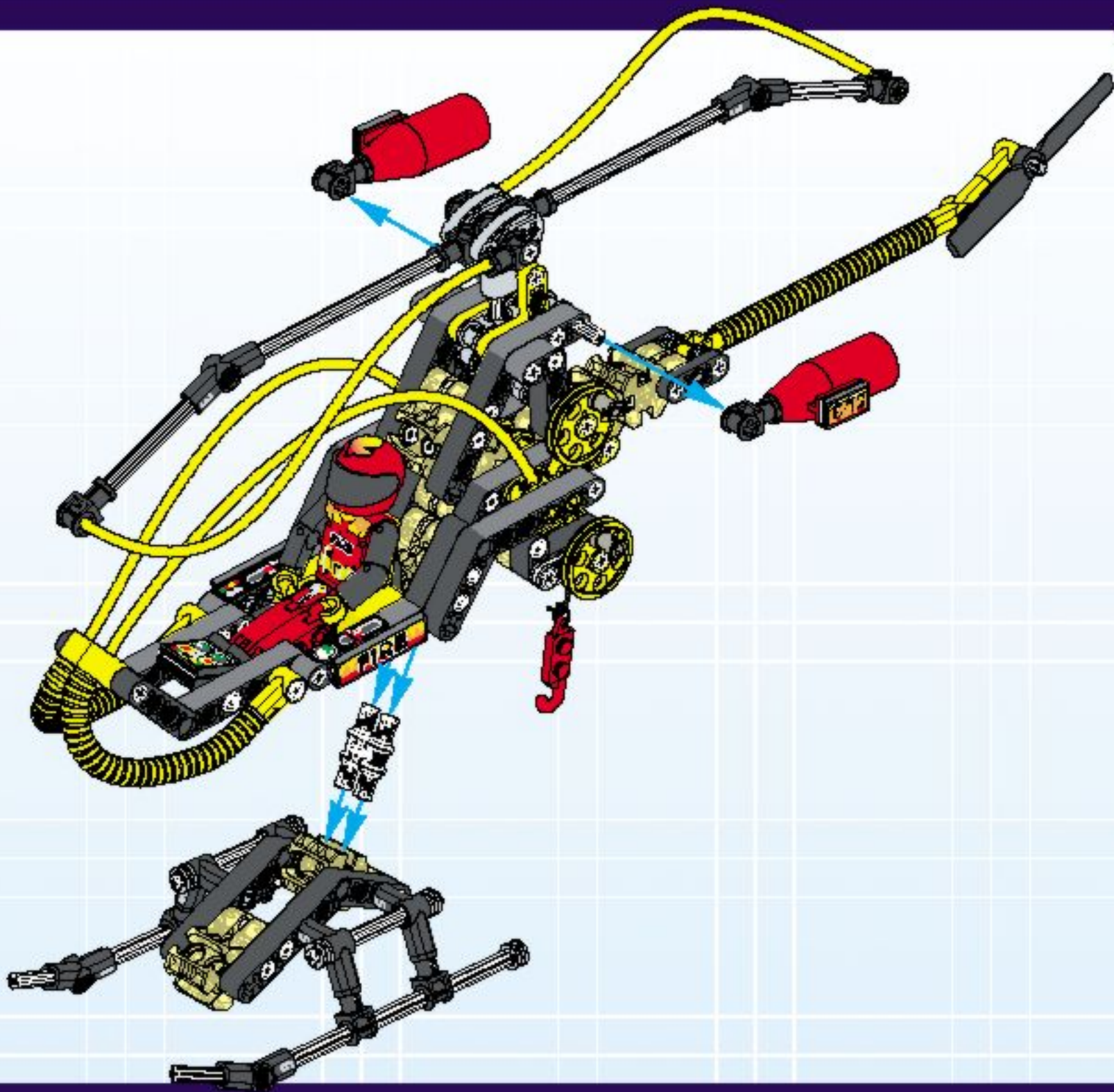
=



8253-8735

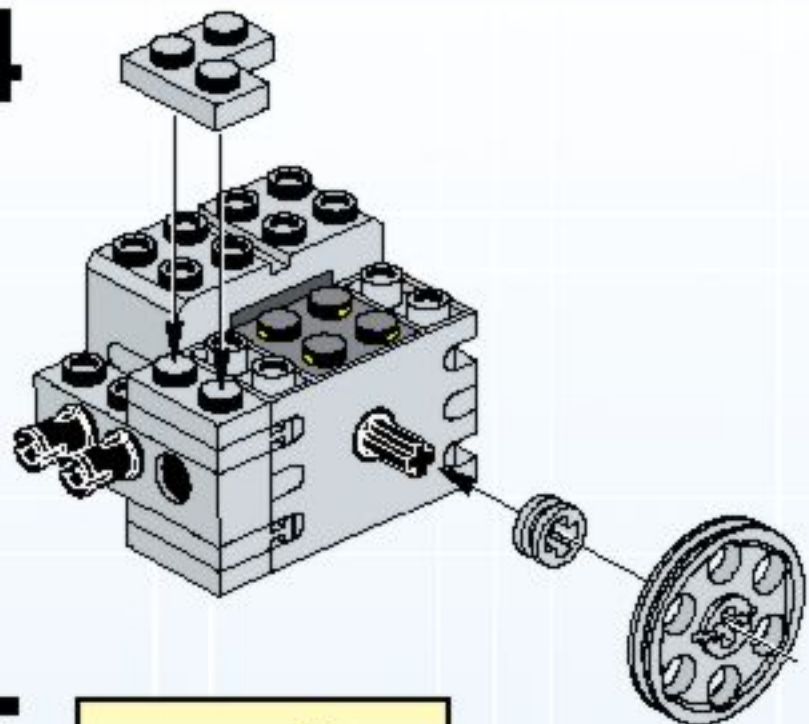
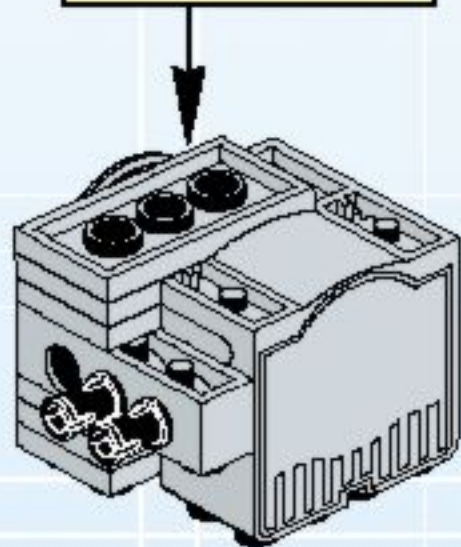
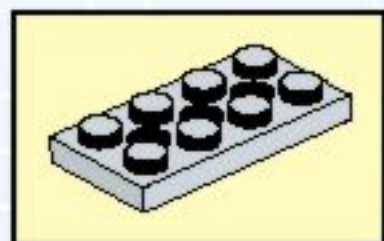
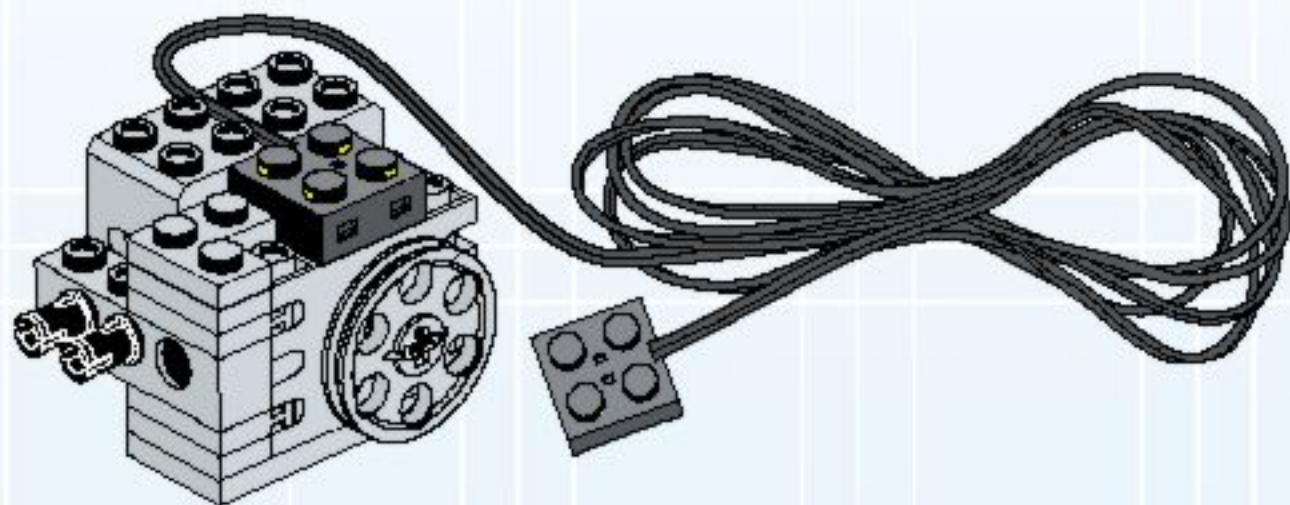


1



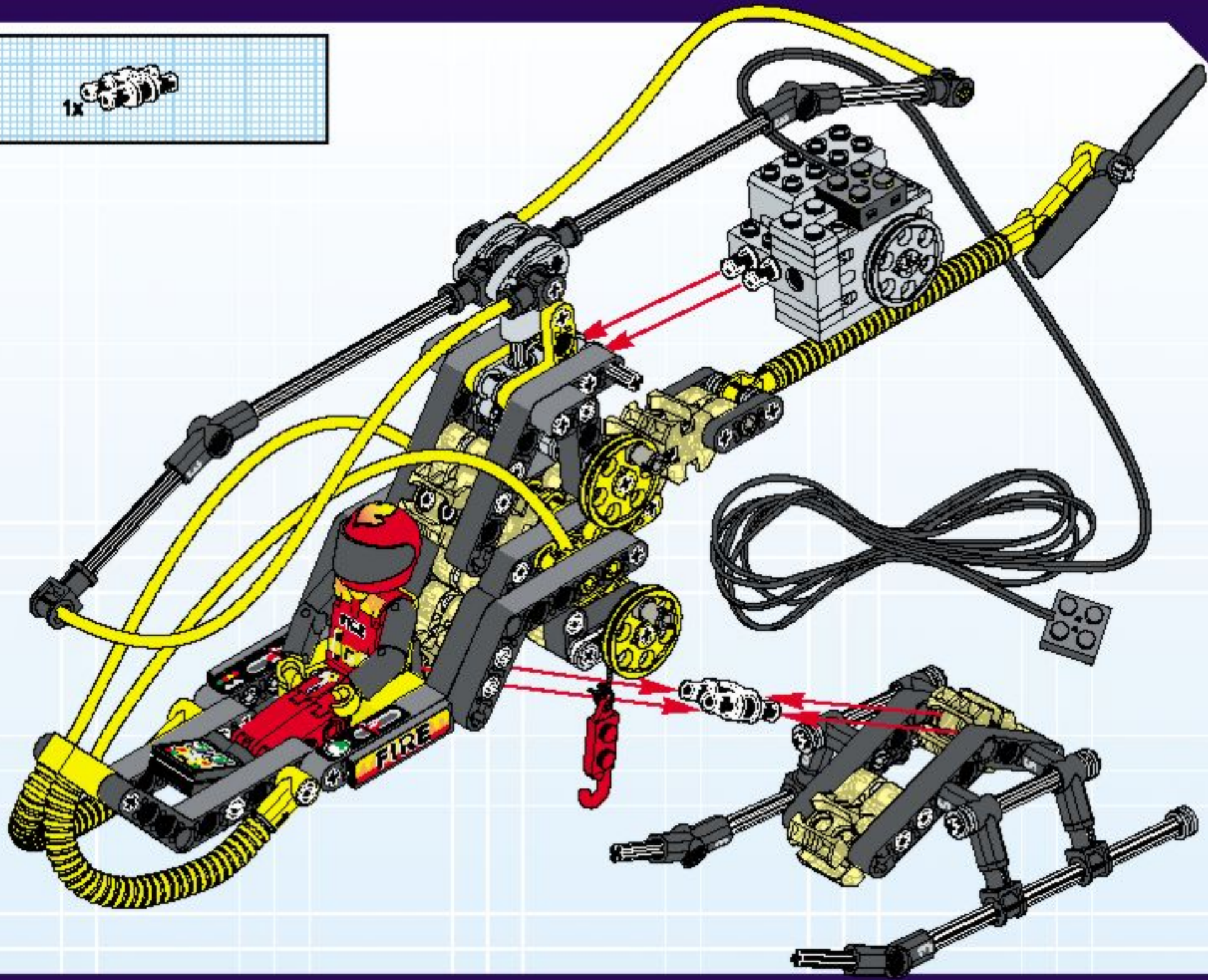
8253-8735



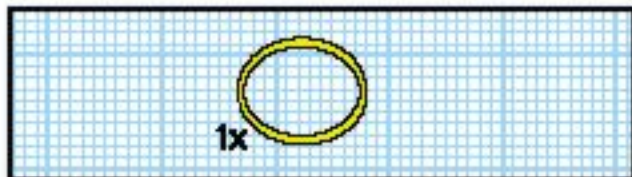
**4****5****6****8253-8735**



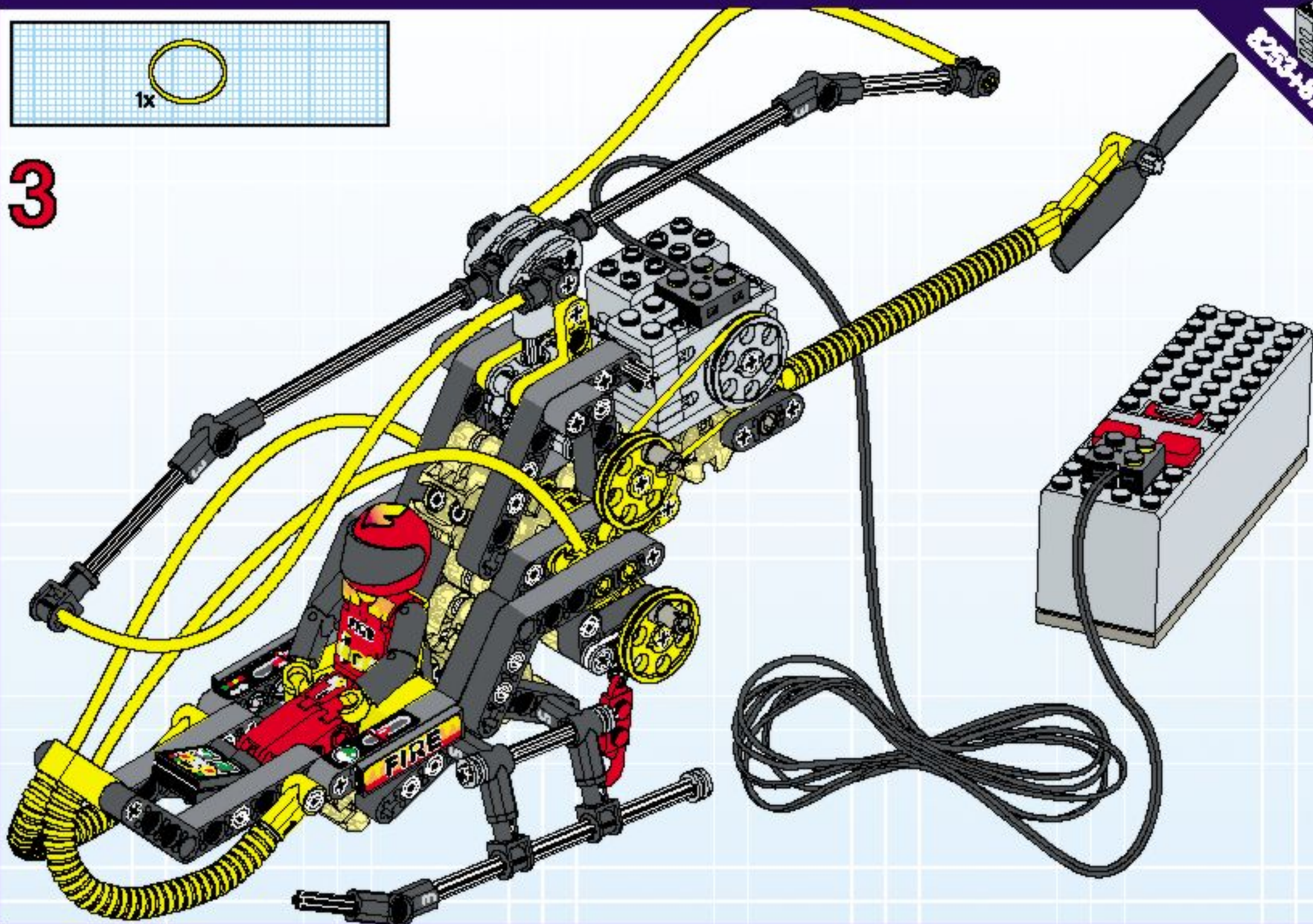
2



8253-8735



3



8253-8735



# Technic

# 8253



+



+



8252 + 8253

8252 + 8256

8252 + 8253 + 8254

8252 + 8253

8252 + 8256

8253 + 8256

8253 + 8256