



STAR WARS

75060



 Booklet available in English on:
 Heft in deutscher Sprache erhältlich auf:
 Livret disponible en français sur :
 Folleto disponible en español en:
 Folheto disponível em português em:
 A füzet magyarul ezen a honlapon olvasható:
 如需中文版手册, 请访问 LEGO.com/starwars

About the LEGO® Star Wars™ Design Team

LEGO® Star Wars started in 1999, and we have made new models for the product line every year since then. The LEGO Star Wars design team consists of six to eight model designers and three graphic designers. The team is a mix of new designers with fresh ideas, and experienced LEGO Star Wars designers with many models under their belts.

This is an ideal team for creating new, innovative LEGO Star Wars models, as well as revising and improving previous LEGO versions of classic and iconic Star Wars ships. The focus of our main LEGO Star Wars product line is to make cool, fun, and inspiring LEGO Star Wars models for kids.

For LEGO Direct we have the opportunity to make even bigger, more challenging models with special attention to accuracy and details. These models are fun and exciting to develop, but also a huge challenge! We always do our very best, and hope that you will enjoy the building experience.

Happy building!



Jens Kronvold Frederiksen
Design Director
LEGO Star Wars



About *Slave I*™



© & TM Lucasfilm Ltd.

Slave I was originally a prototype police vehicle from Kuat Systems Engineering, and its official name was *Firespray-31* patrol and attack craft. Only six were made in the entire galaxy, and they were used on the asteroid prison Oovo 4. Infamous bounty hunter Jango Fett stole one of the six prototypes during a prison riot on the asteroid, and during his escape, launched two missiles into the hangar bay where the other five were kept. Jango Fett renamed the only remaining Firespray starship *Slave I*, and it became his most frequent mode of transportation.

Unlike most starships, *Slave I* sits flat on its bottom surface when idle, and rotates ninety degrees to fly vertically. The original prototype was a well-armed starship, and included two heavy twin blaster cannons as well as two rapid-fire laser cannons. Other weapons included projectile launchers, homing missiles, and a naval minelayer with seismic charges. Because the Firesprays were intended to be prisoner transports, they were heavily armoured and contained large holding cells within the vehicle.

Jango Fett made numerous alterations to *Slave I*, including larger, upgraded Kuat drive engines and power generators, which made even a ship as small as *Slave I* capable of sublight speed, usually seen only in Y-wing Starfighters.

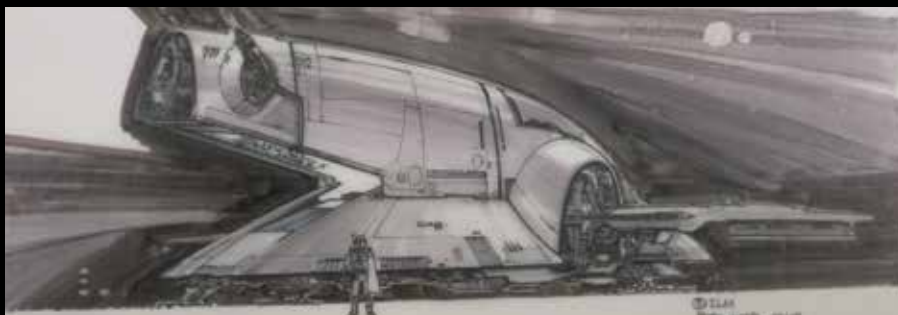
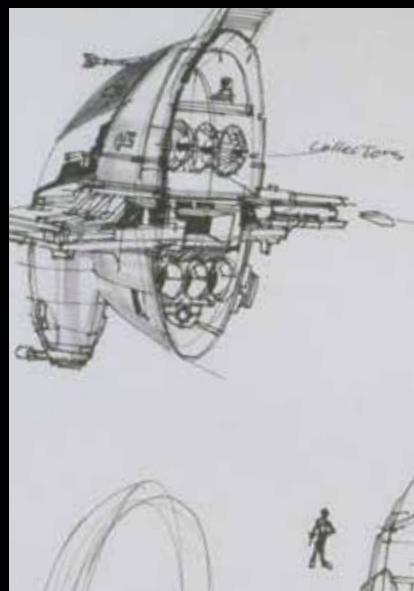
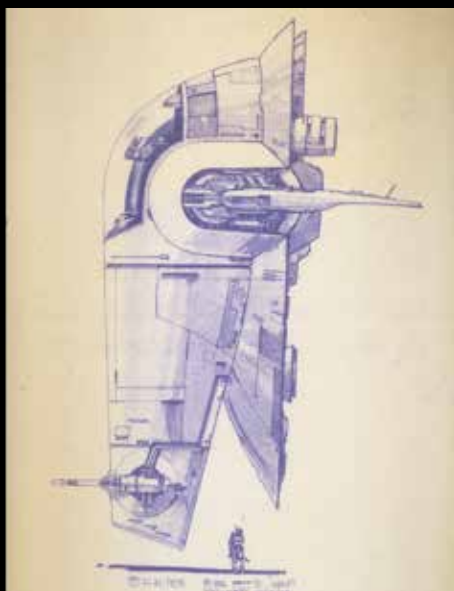
In the years following Jango's death, the ship underwent heavy modifications, including the addition of a cloaking device, proton torpedoes, and a stolen sensor masking and jamming array, which makes the ship essentially invisible to almost all sensors and allows it to sneak into any planet or Imperial Centre without being detected.

Perhaps most famously, Boba Fett used *Slave I* to transport Han Solo's carbon-frozen body to Jabba the Hutt on Tatooine to collect the bounty on Han Solo. Boba Fett continued to use primarily *Slave I* to capture bounties, and the ship became feared throughout the galaxy.



Slave I™ Facts

Manufacturer.....Kuat Systems Engineering
Model.....Modified *Firespray-31*
patrol and attack craft
Class.....Space Transport
Cost.....Not for sale (likely to be valued
at 726,500 credits)



Concept Art © & TM Lucasfilm Ltd.



Visual Effects Artist Ken Ralston © & TM Lucasfilm Ltd.

Technical Specifications

Length.....21.5 metres
Width.....21.3 metres
Height/depth.....7.8 metres
Maximum speed.....1,000 km/h in atmosphere
Maximum acceleration.....2,500 G
Engine unit(s).....F-31 drive engines

Meet the Model Designer

Hans Burkhard Schlömer

Q: How long have you been a LEGO® Star Wars model designer?

A: I've been a LEGO® designer for close to six years now. Last summer I was asked to "help out a little bit" on LEGO Star Wars. So I expected to build a small speeder to go along with a larger set or something like that. Well, surprise! Instead of going on vacation, I spent the whole summer in Billund designing the next Ultimate Collector's Series set. That was even better than a vacation!

Q: How was designing the *Slave I* different from your work on other LEGO Star Wars models?

A: It actually wasn't very different; the *Slave I* is just quite a big set. Usually I design the first version of a set in LEGO Digital Designer. When I'm happy with that, I go ahead and build a version with bricks. It's much faster to apply changes digitally than to build new versions, especially with a model of this size!

Q: The *Slave I* flies vertically, but rotates to dock horizontally when not in use, did that present you with a challenge while designing this feature of the set?

A: Not really! UCS Star Wars sets usually come with a display stand, so the idea was to show the ship in flight mode anyway. Figuring out how to connect the stand to the model in a secure way was a challenge from a technical point of view, though. And when landed, the ship seems to hover. This is why there are transparent "spacers" on the underside of the base. It also makes it easier to pick up the model.



Model Designer Hans Burkhard Schlömer

Q: How did you plan the design for the *Slave I*? Did you use artist sketches or film stills to assist your creation of the model?

A: Getting the shape and proportions of the ship right was the main priority. For exterior details I had screen shots from the movies and reference material supplied by Lucasfilm. While looking at cross sections of the original *Slave I*, I realised that while it's filled with cool features, weapons, and living space, it is completely missing any internal support structure. Apparently the hull is all it takes to hold the *Slave I* together, like an eggshell. The biggest challenge in designing the model was to create a sturdy but light support structure.

Q: Does this model feature/accomplish something that no other LEGO® building set has? What elements or features make it unique? Other than scale, what really sets this version of the *Slave I* apart from previous LEGO versions?

A: This is the largest, most detailed LEGO® *Slave I* so far, and more true to the original than previous versions. In fact, the size of the model makes it both a collector series model and a playset, because it actually is in minifigure-scale. Even the underside of the model is very detailed, which is uncommon in LEGO sets.

Q: Were any new elements or minifigures created for this model?

A: A new, eight-brick-wide windscreen was created especially for this *Slave I* in trans-clear, same as on the original movie prop. Several other elements are exclusive to this set, in dark red, dark green, and sand green. We included a Bespin Guard and a Stormtrooper to go along with Boba and Han so that kids can re-enact the scene on the Cloud City landing platform when Boba Fett boards his craft with his frozen trophy.

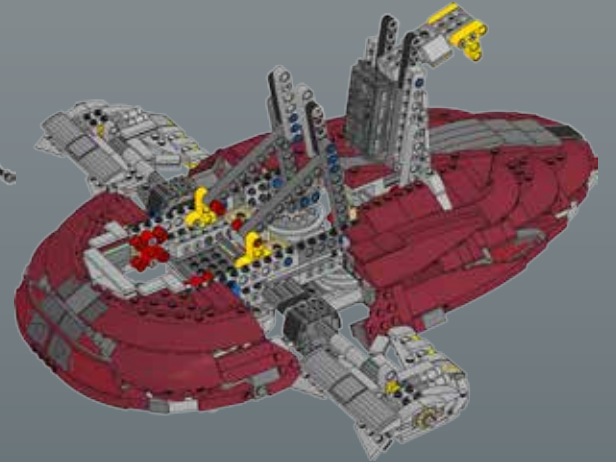
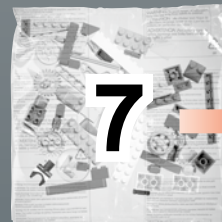
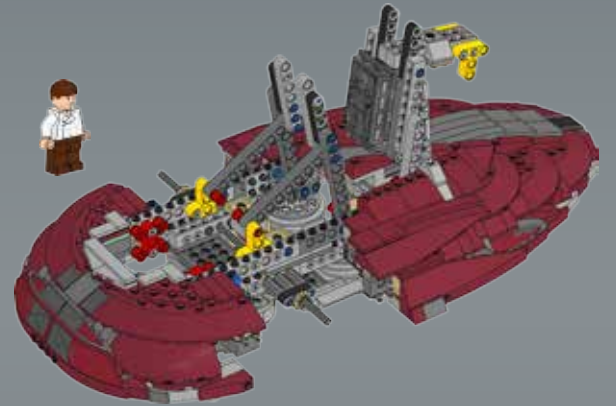
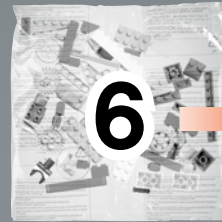
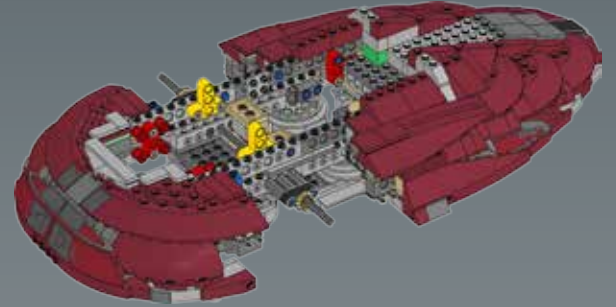
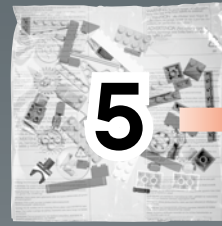
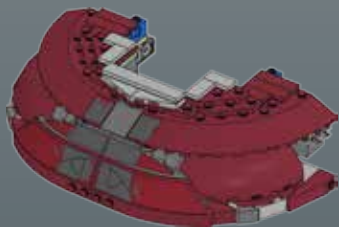
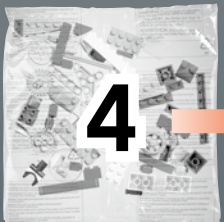
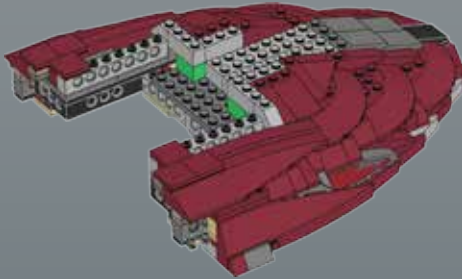
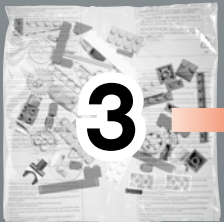
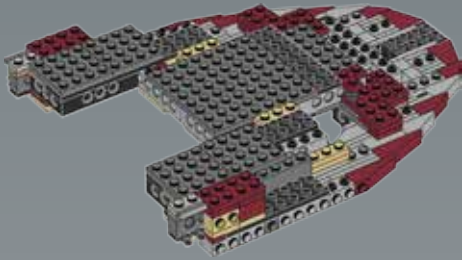
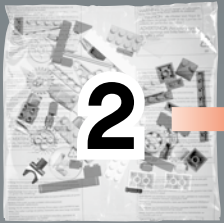
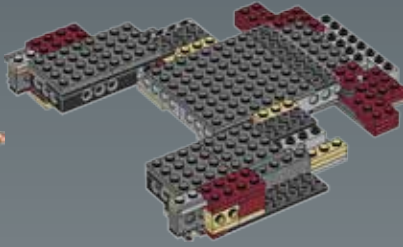
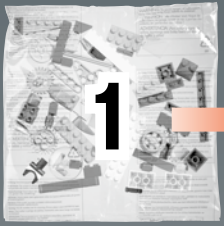
Q: How long did this take to design? How many people worked on designing it?

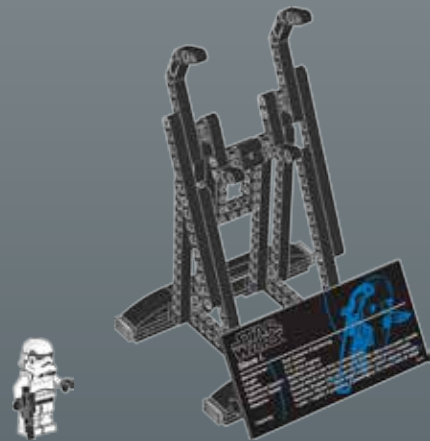
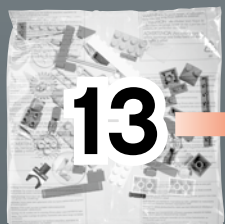
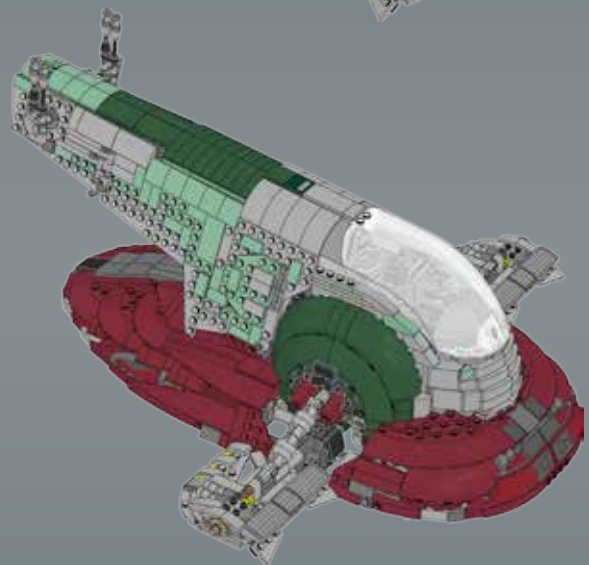
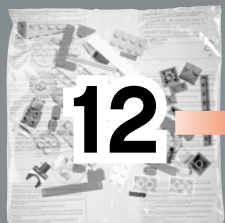
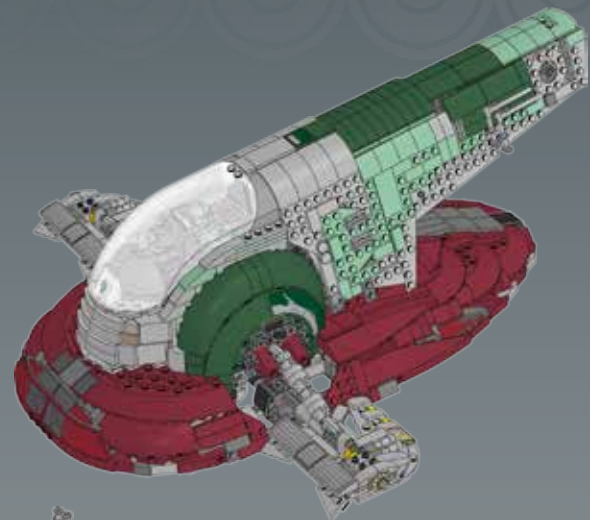
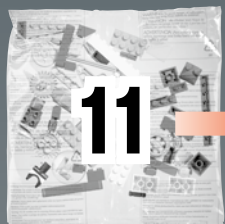
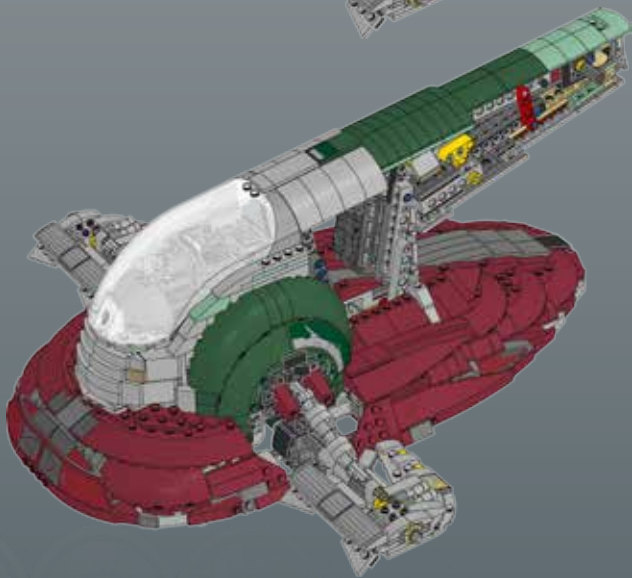
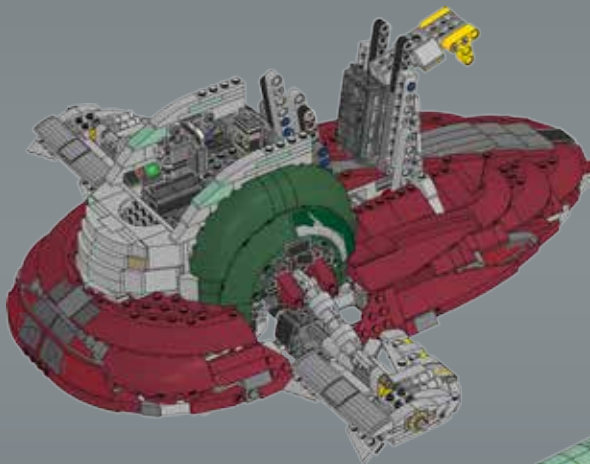
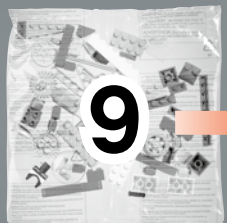
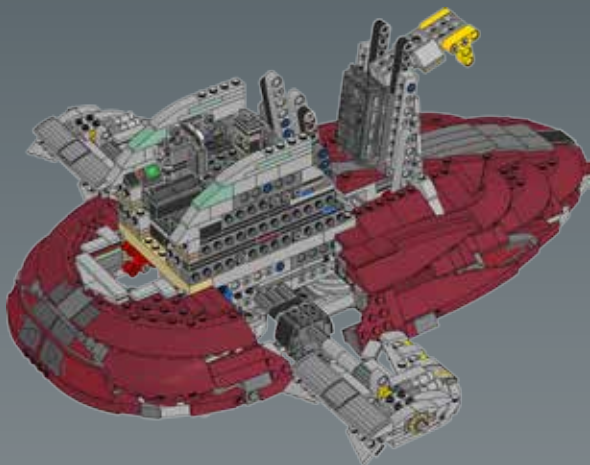
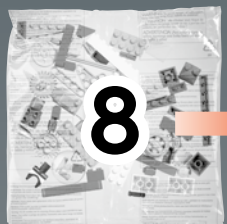
A: I needed a week from the first draft in LEGO Digital Designer to the first brick-built copy. Then it took almost three months, until the final model review, to create this set. I was the only designer assigned to this task, but of course I had plenty of assistance from colleagues. My technical coach, Anders G. Christensen, especially had a hand in optimising the internal structure of the ship.

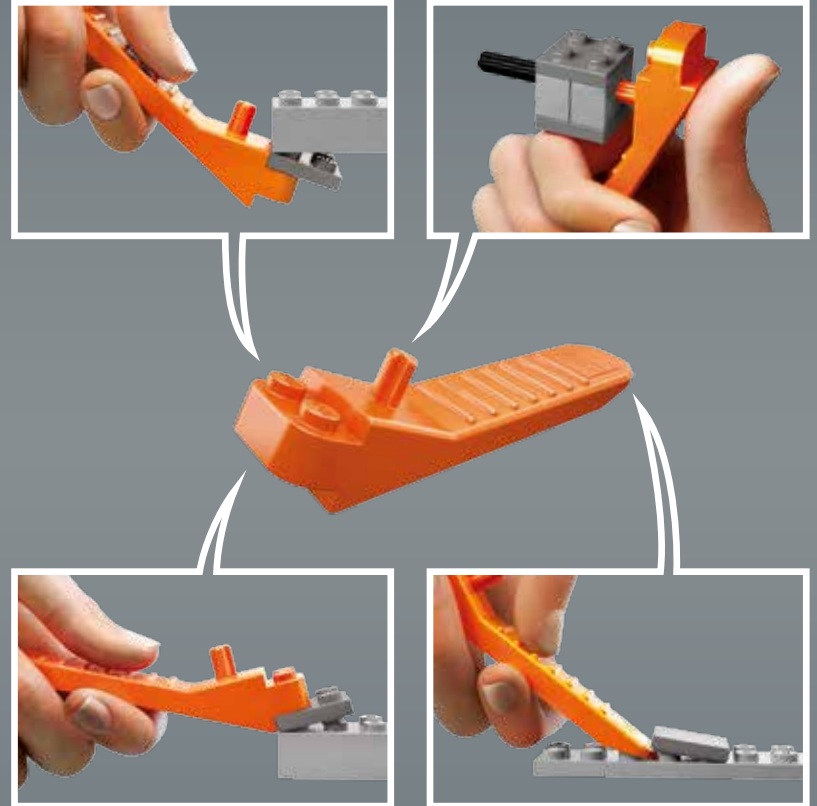
Q: What are you most proud of on this model?

A: Of course I am most proud of having been chosen to design the whole set in the first place. I'm a huge *Star Wars* fan, and the *Slave I* is an iconic spacecraft - one of the remaining few that haven't been produced as a LEGO collector's edition already. Having been able to create the next addition to my sizeable collection of LEGO *Star Wars* sets myself feels great!

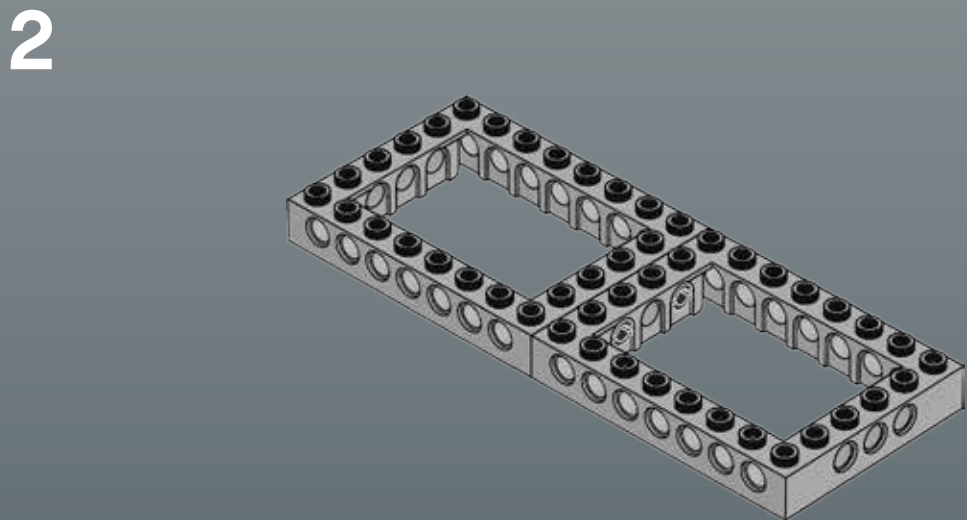
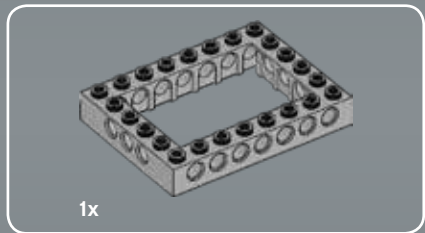
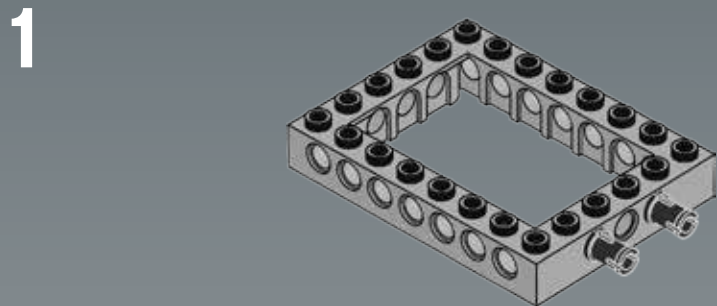
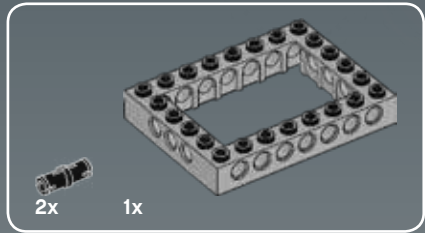
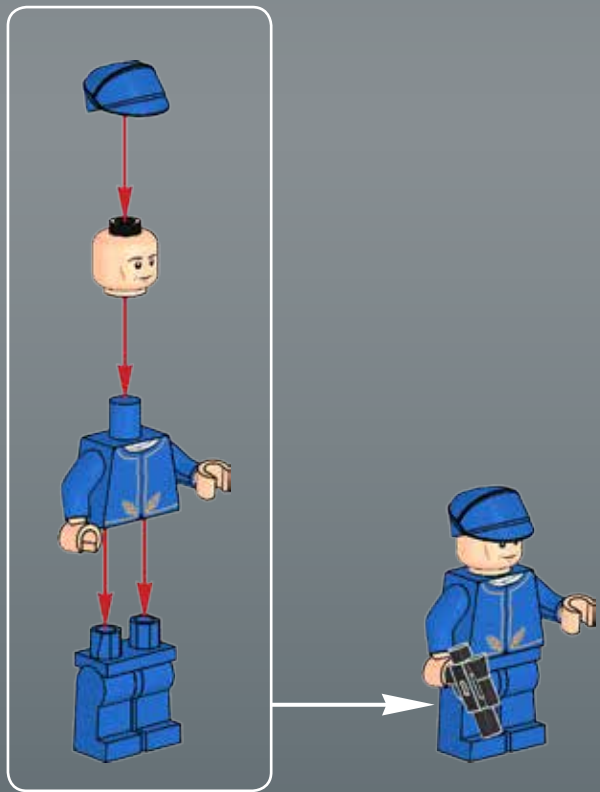
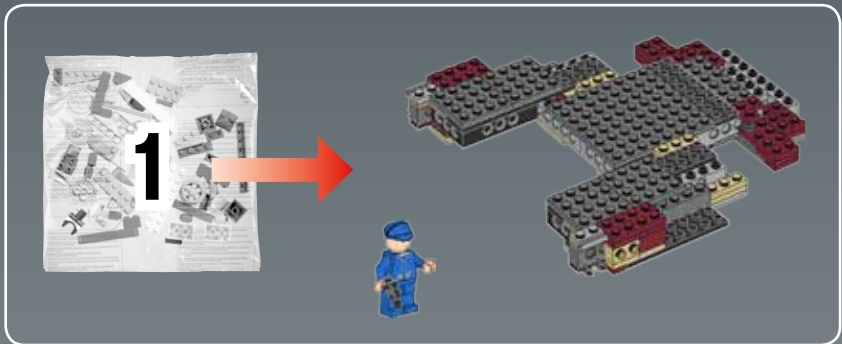








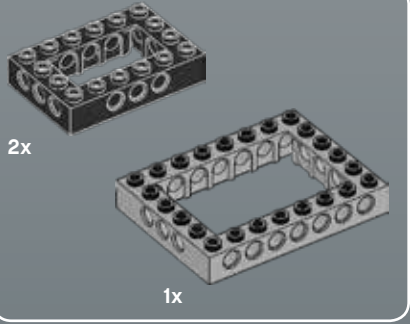
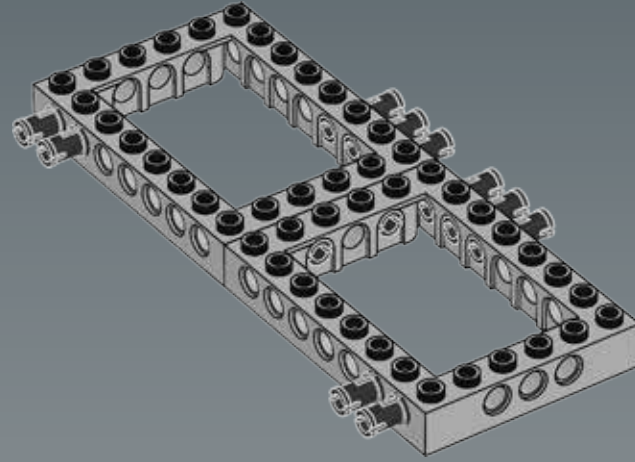
LEGO.com/brickseparator



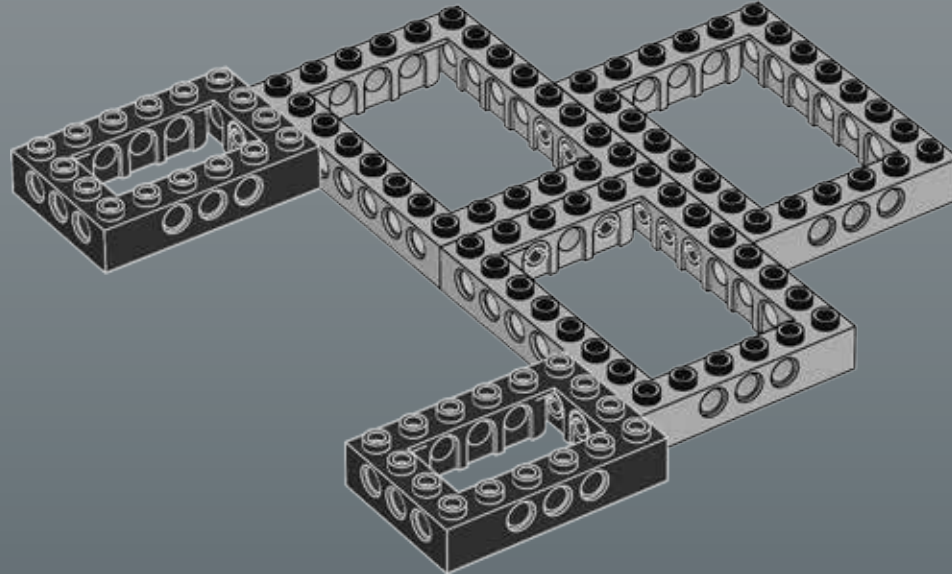


10x

3

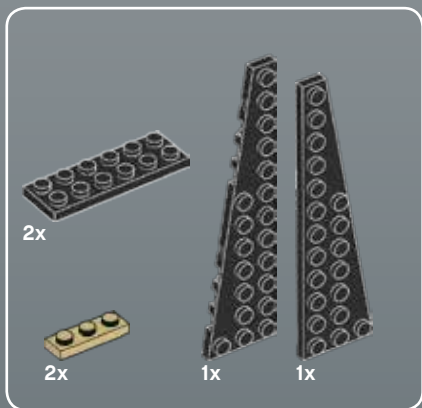
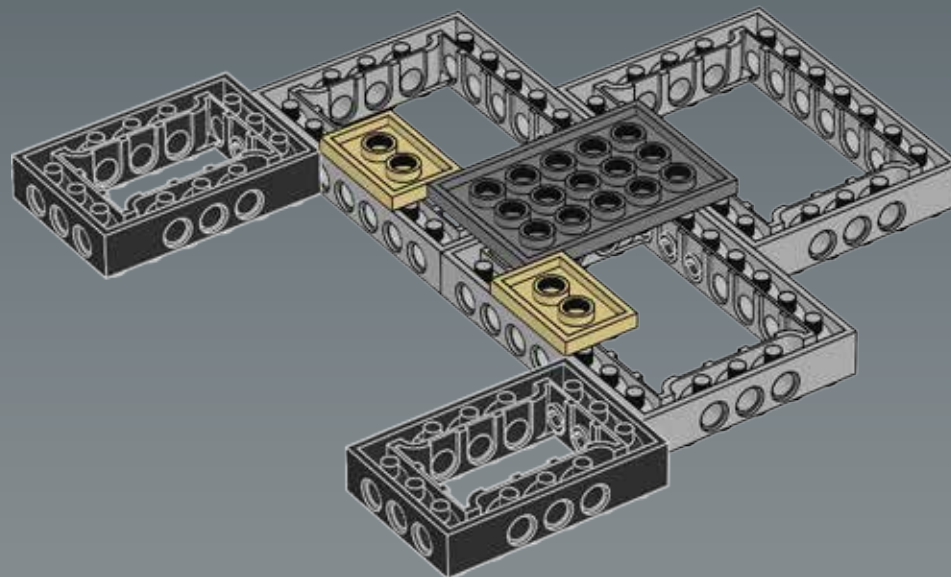


4

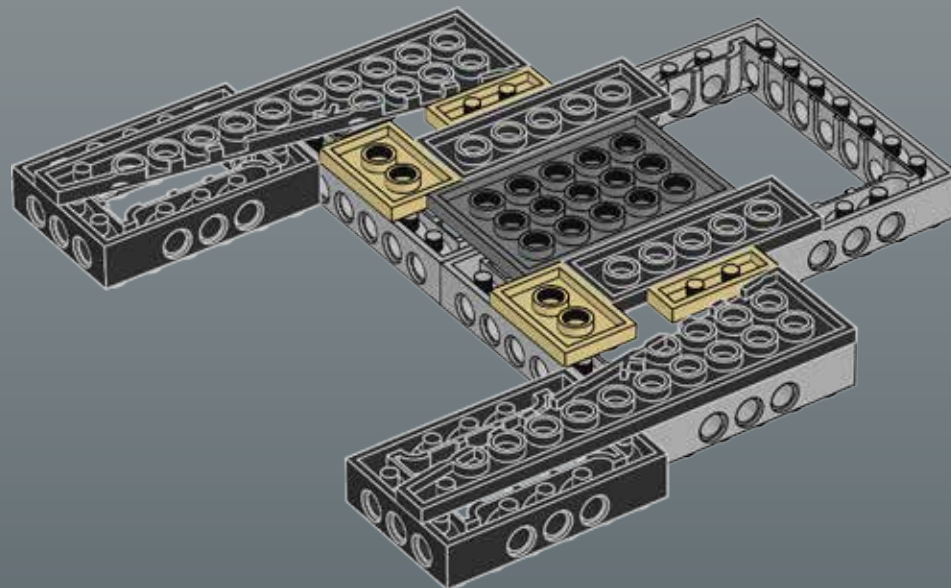




5

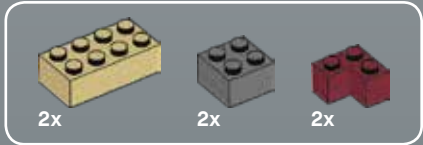
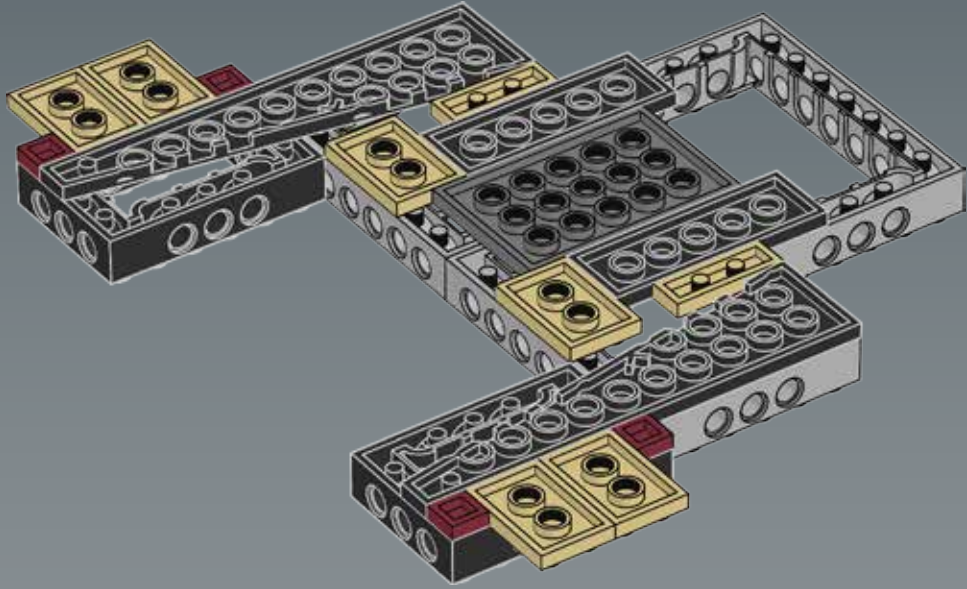


6

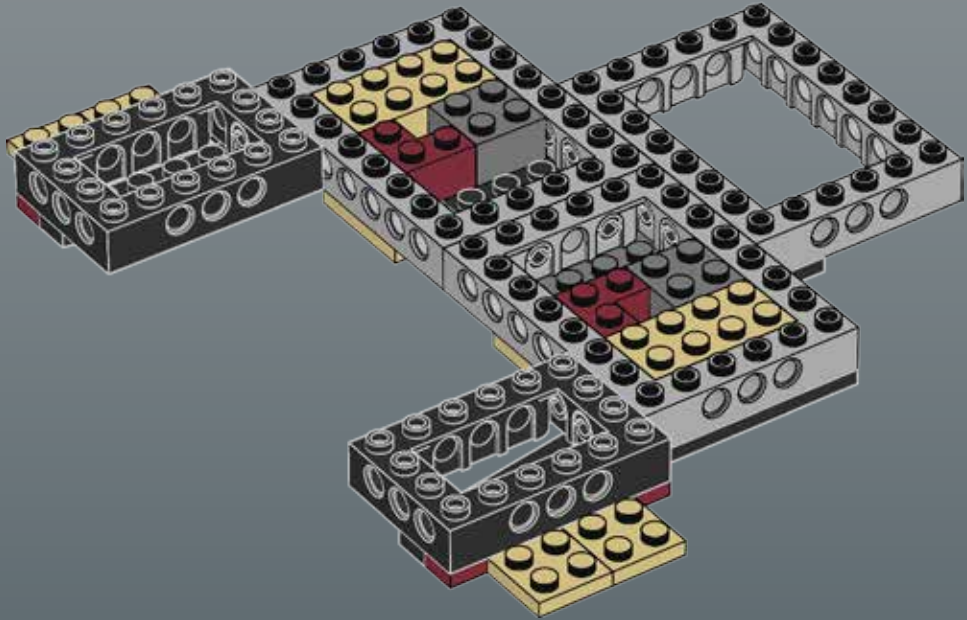


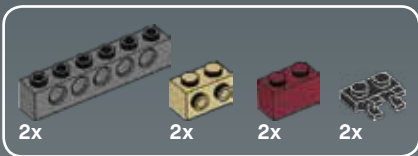


7

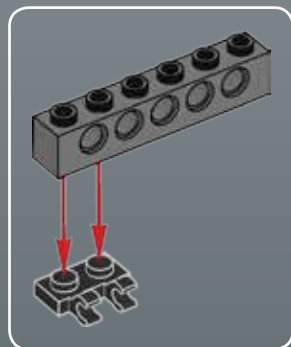
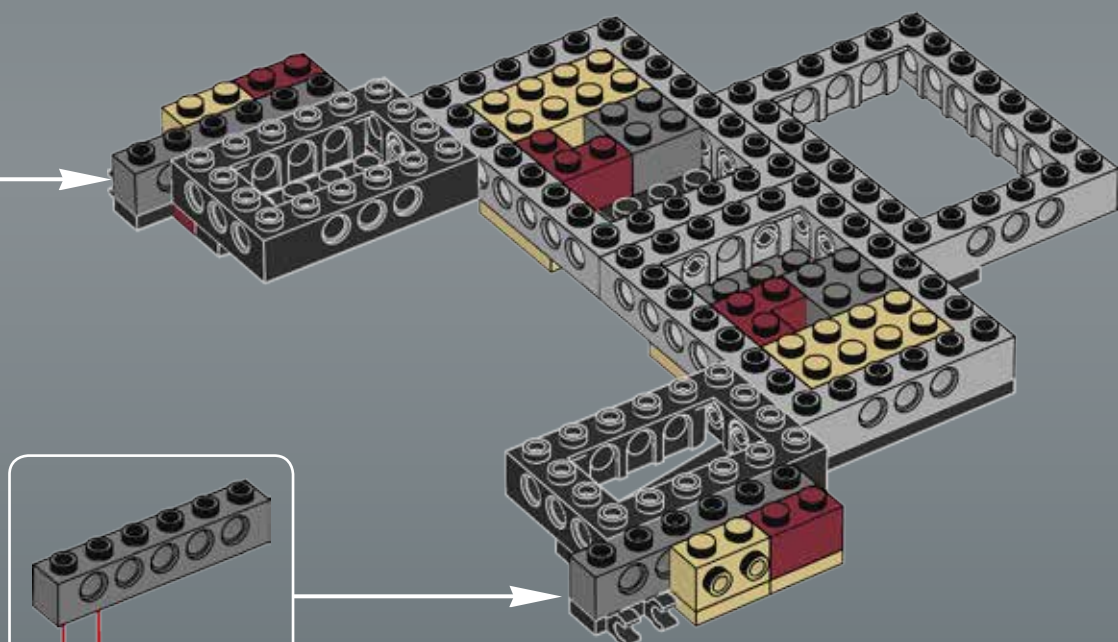
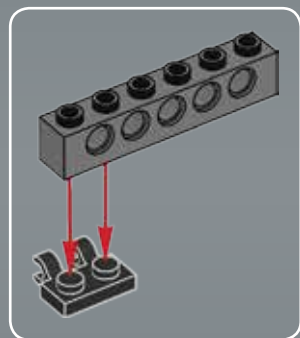


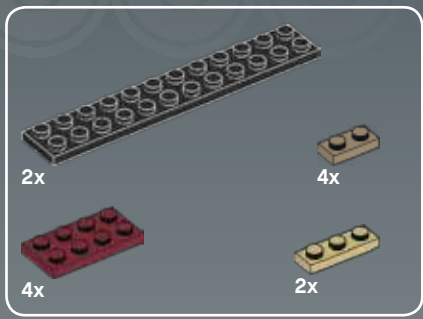
8



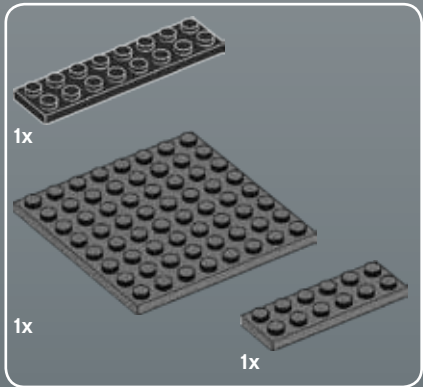
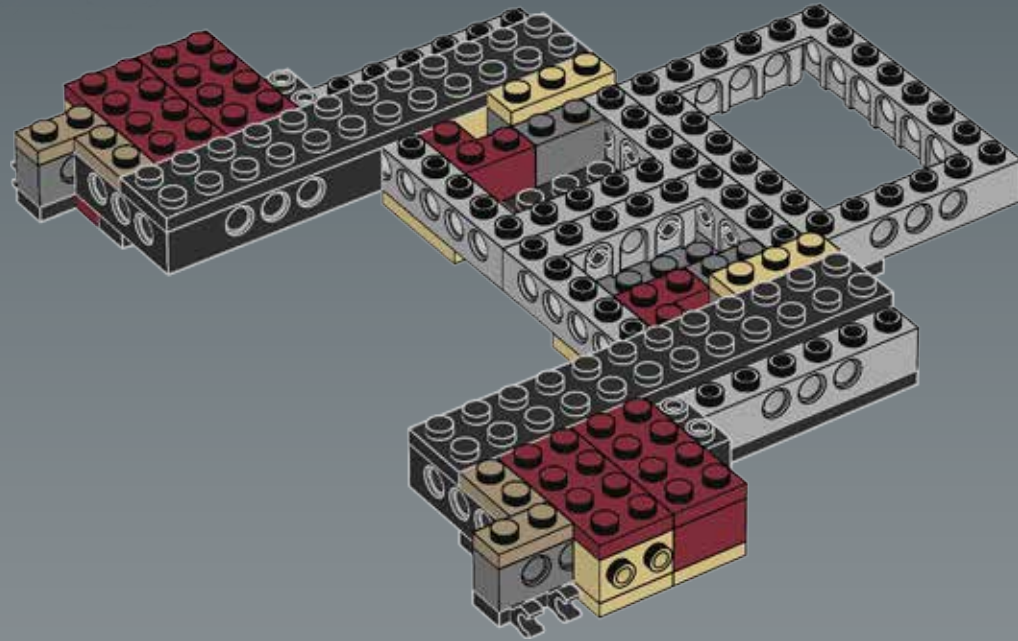


9

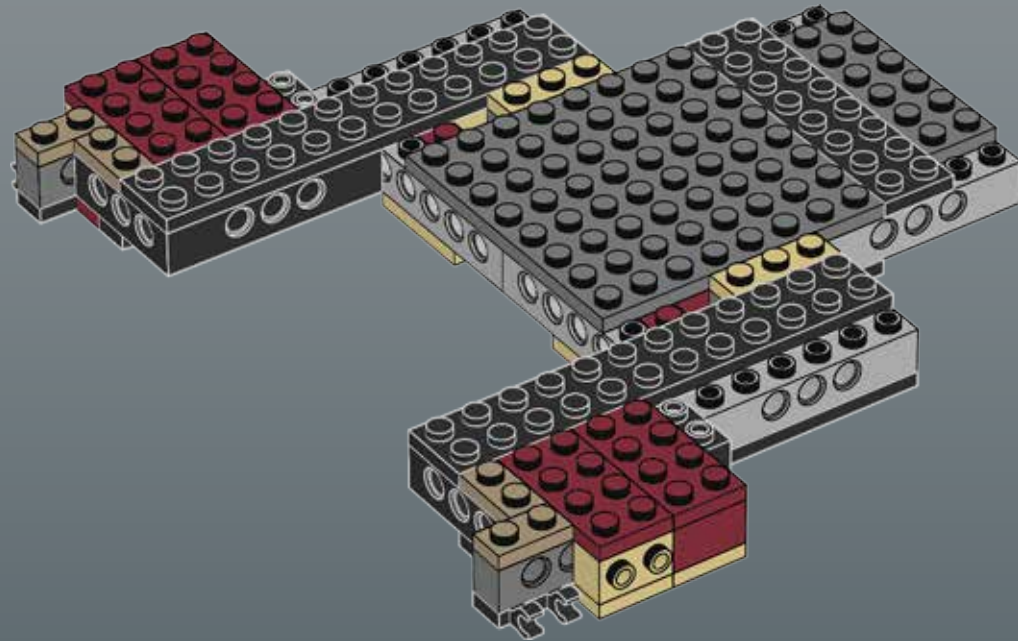


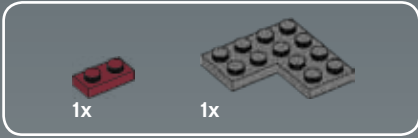
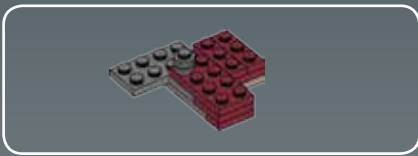


10

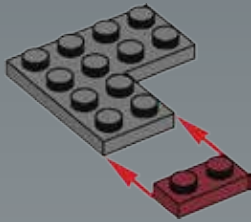


11

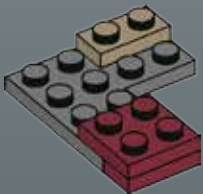




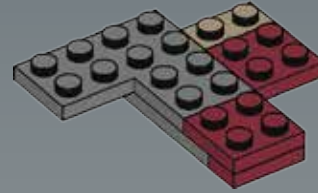
1



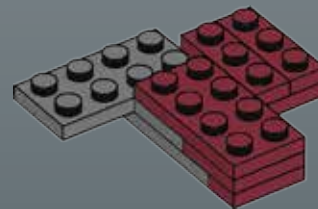
2



3

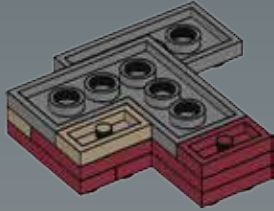


4

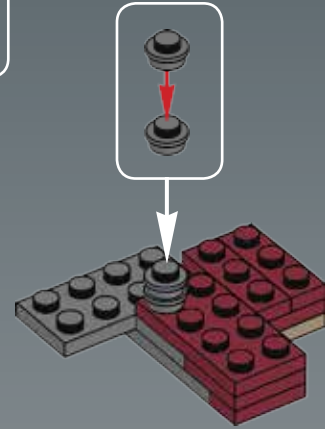




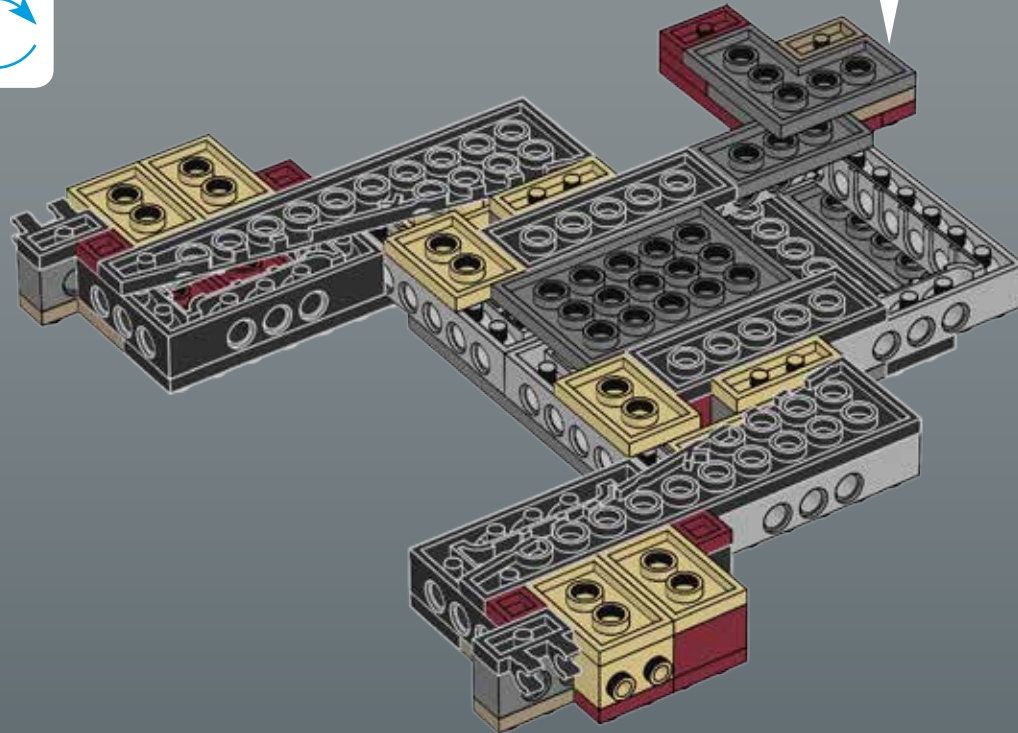
5

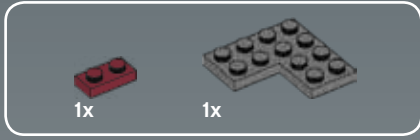


6

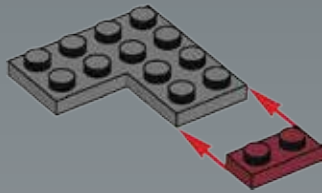


12

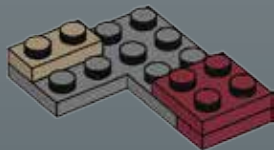




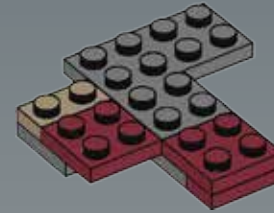
1



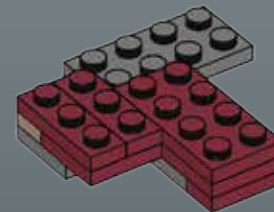
2



3

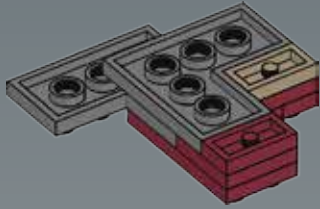


4

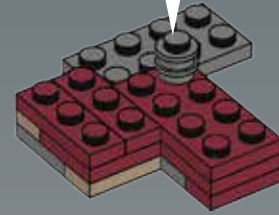
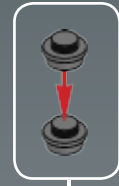




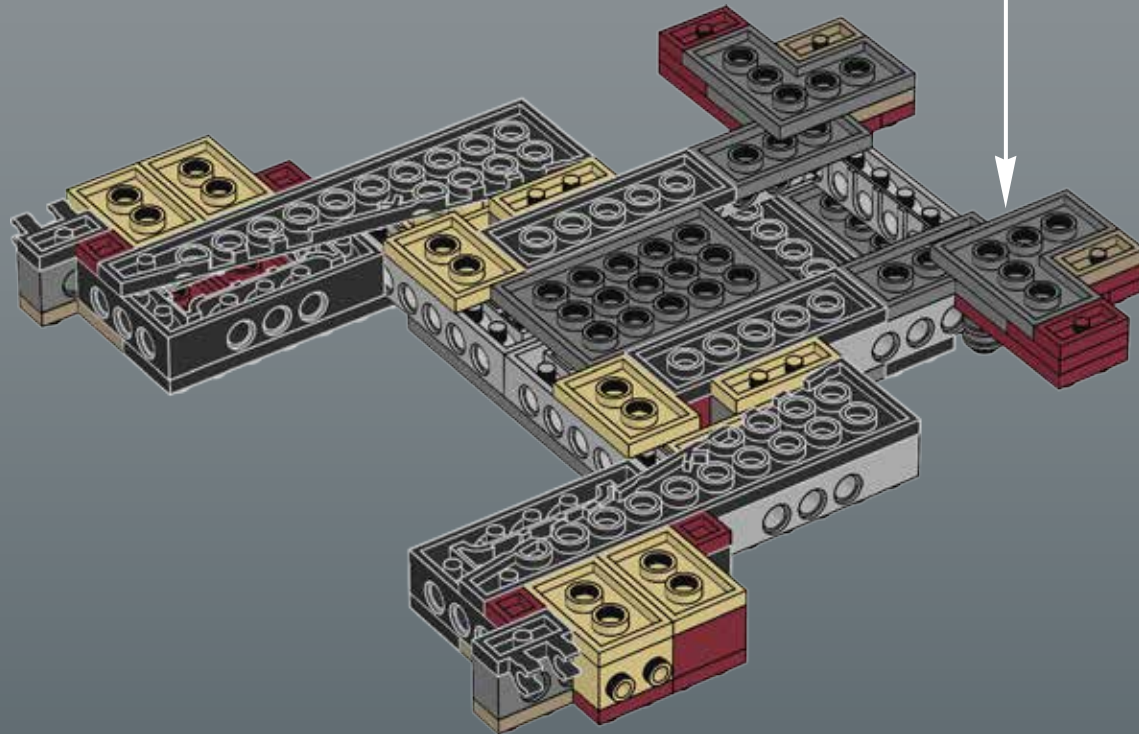
5

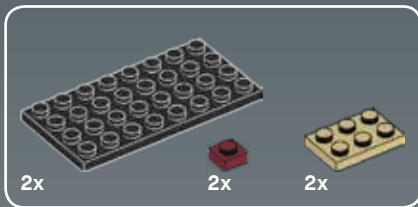


6

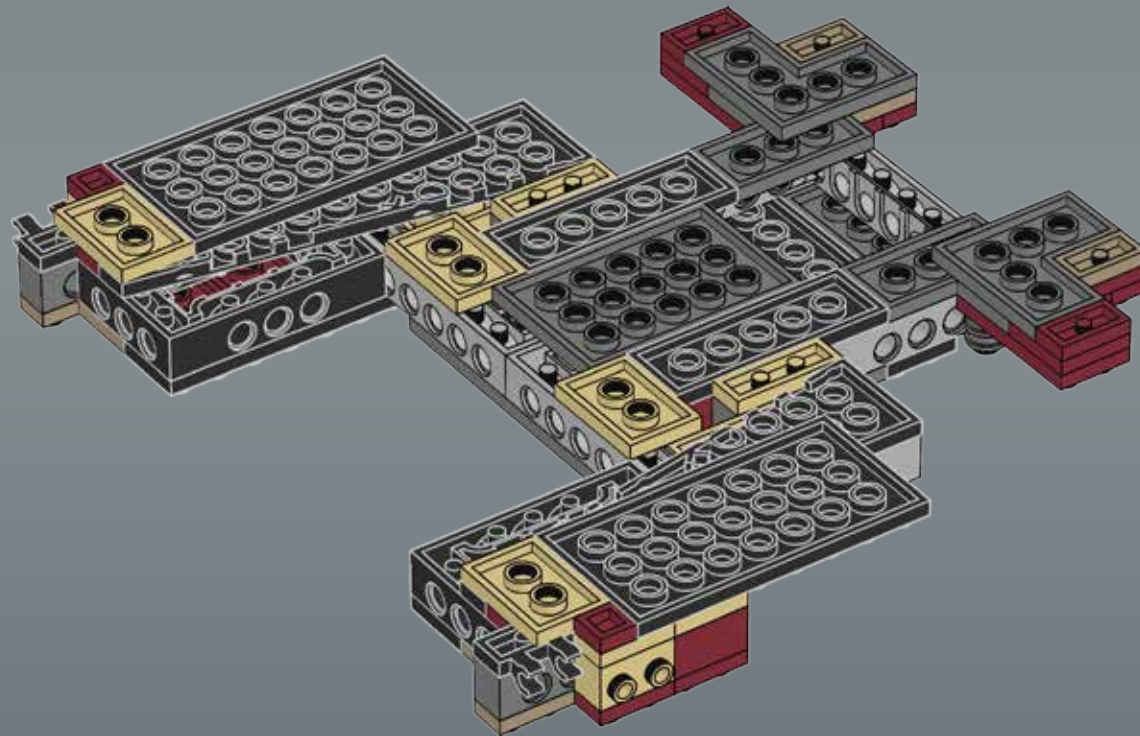


13



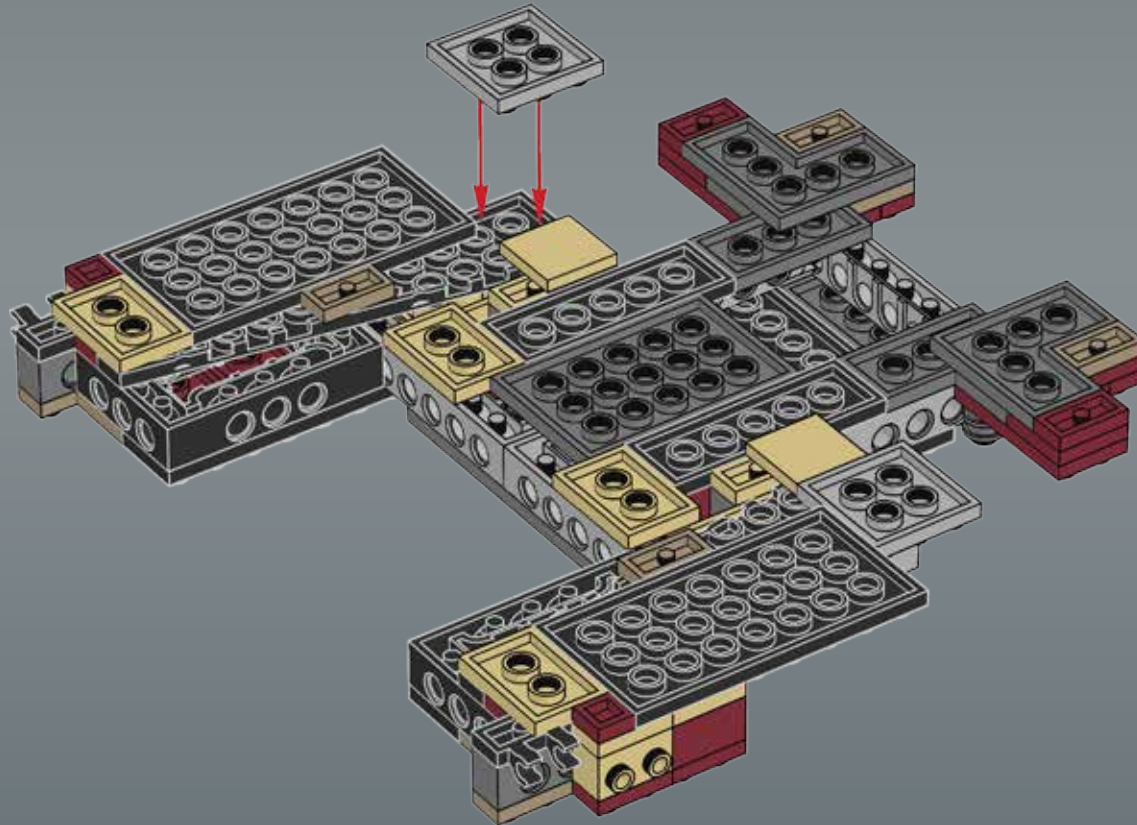


14



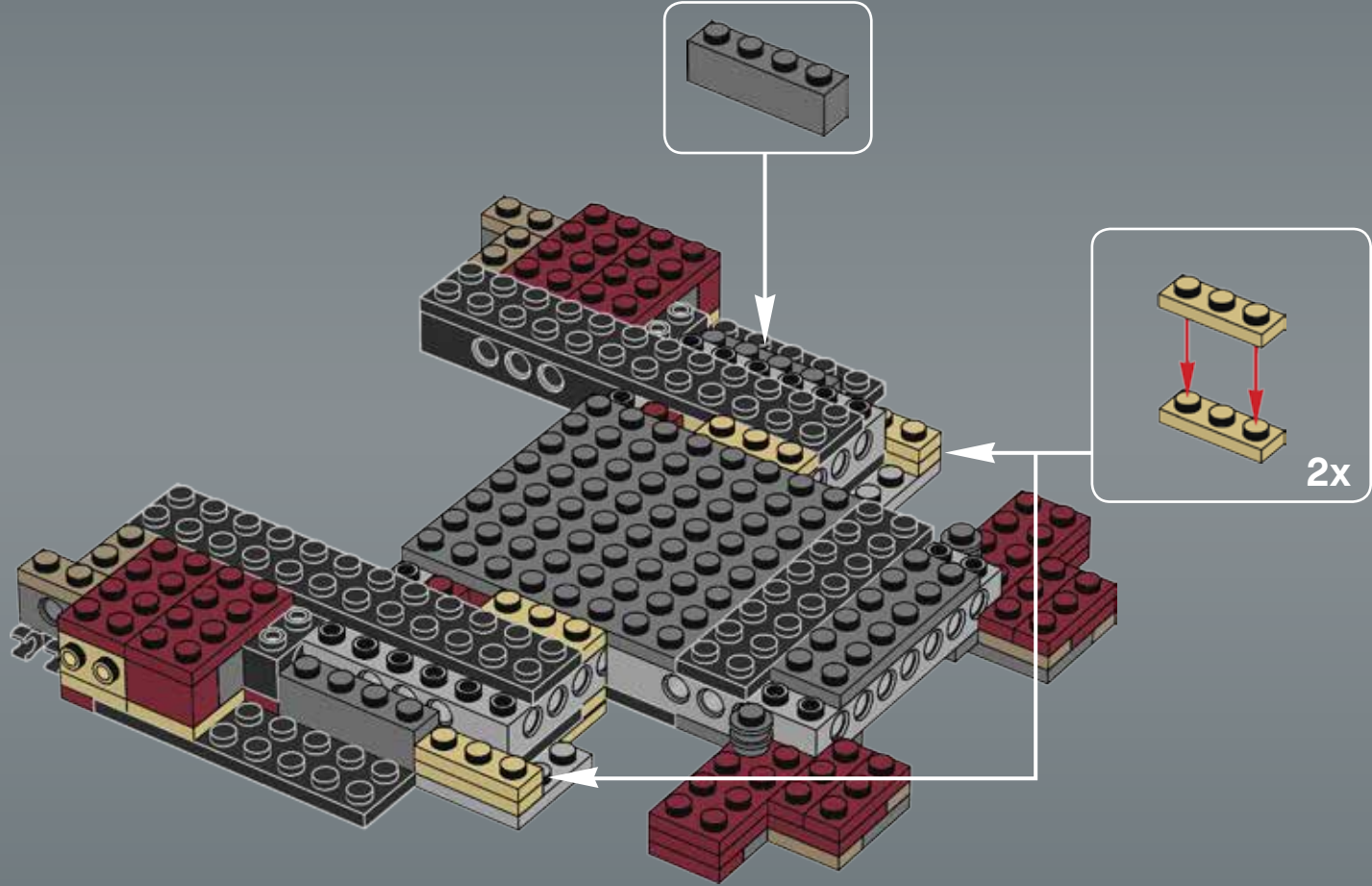


15



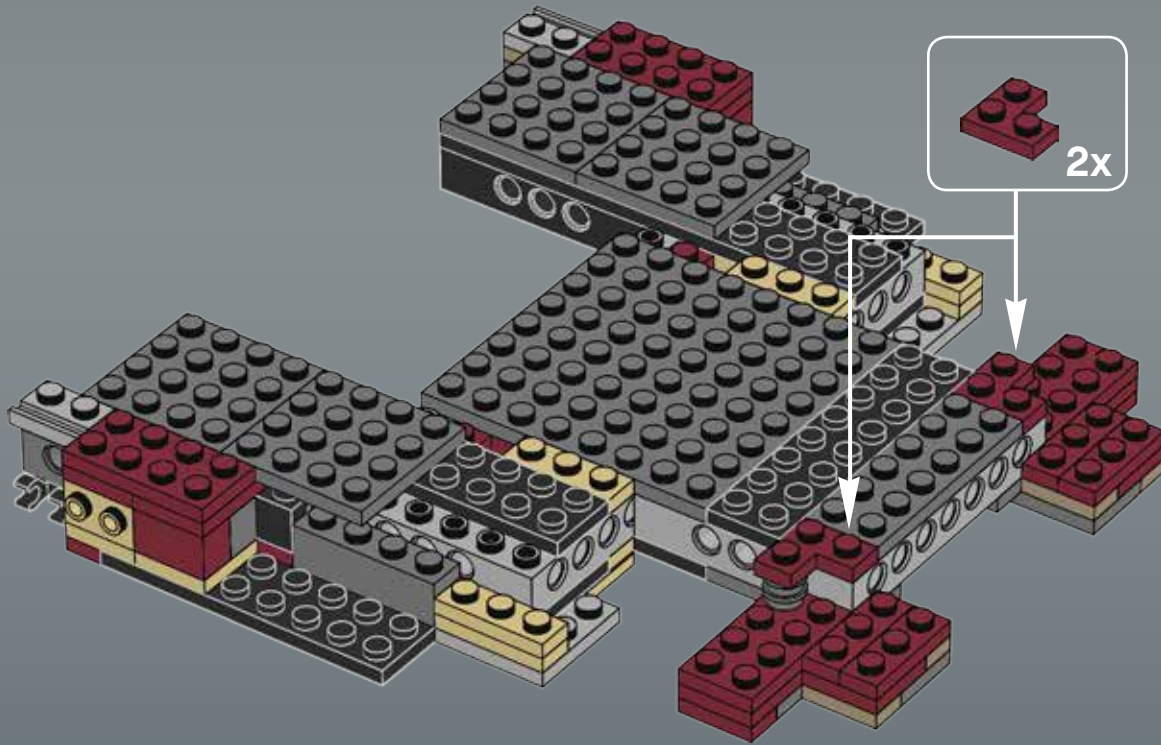


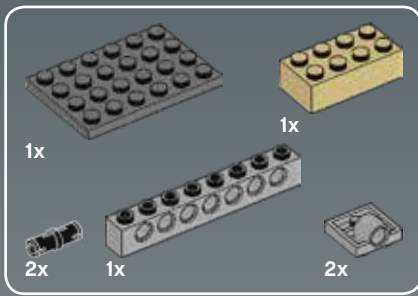
16



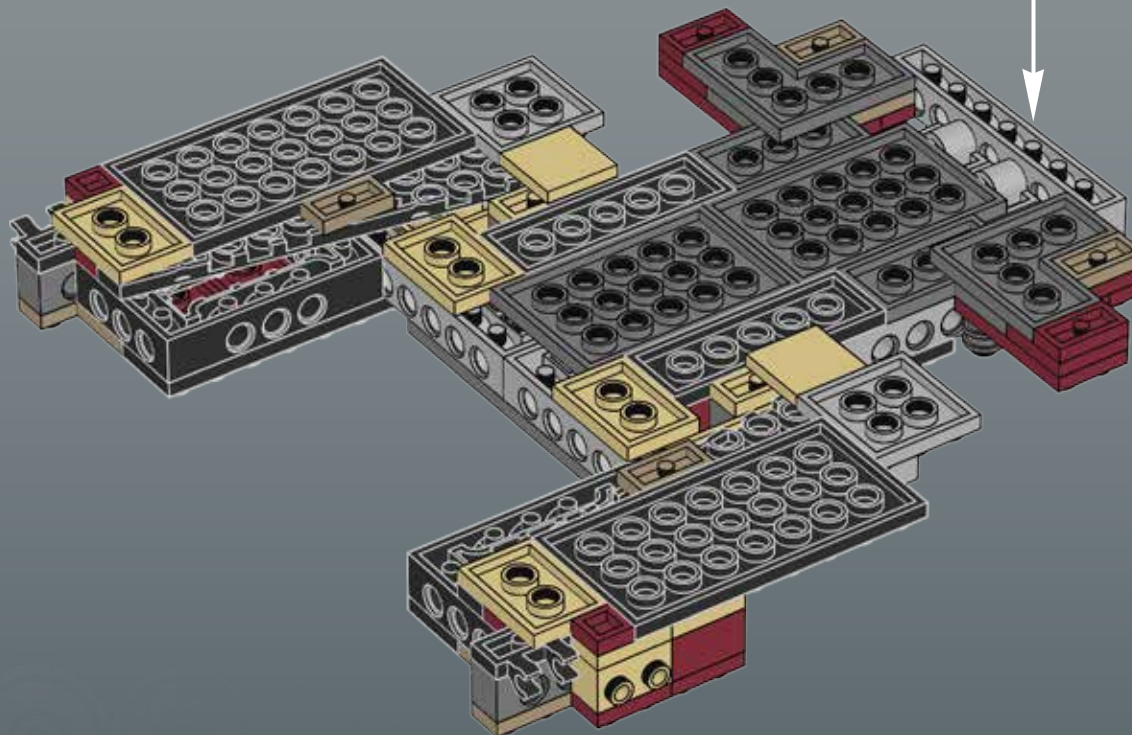
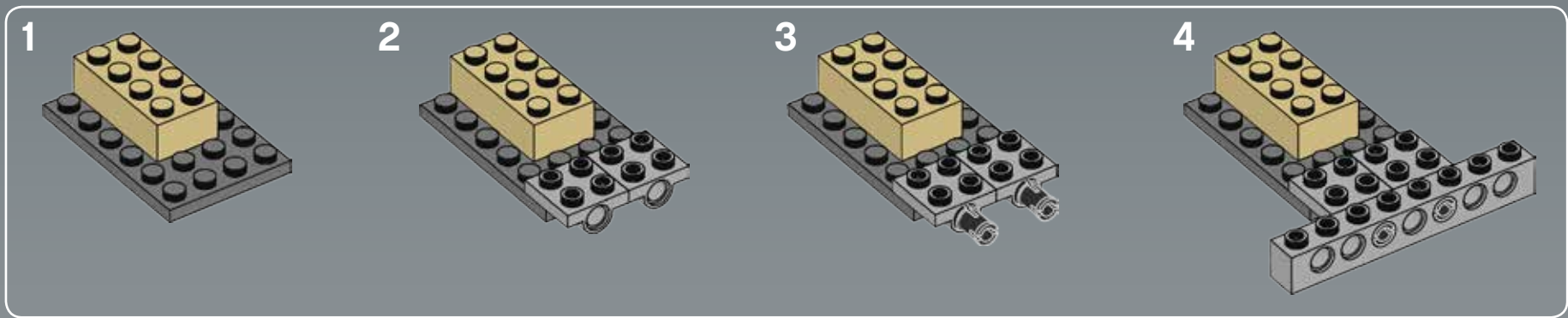


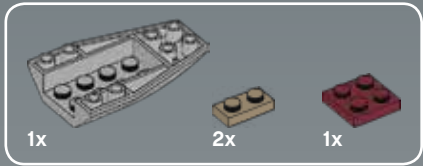
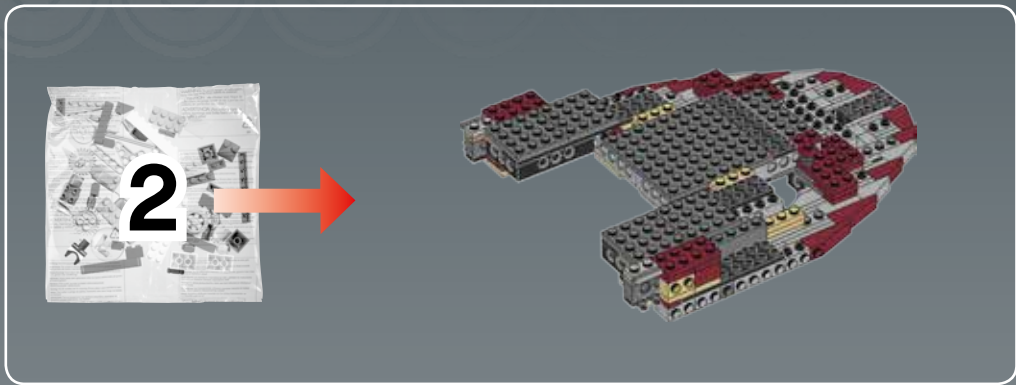
17



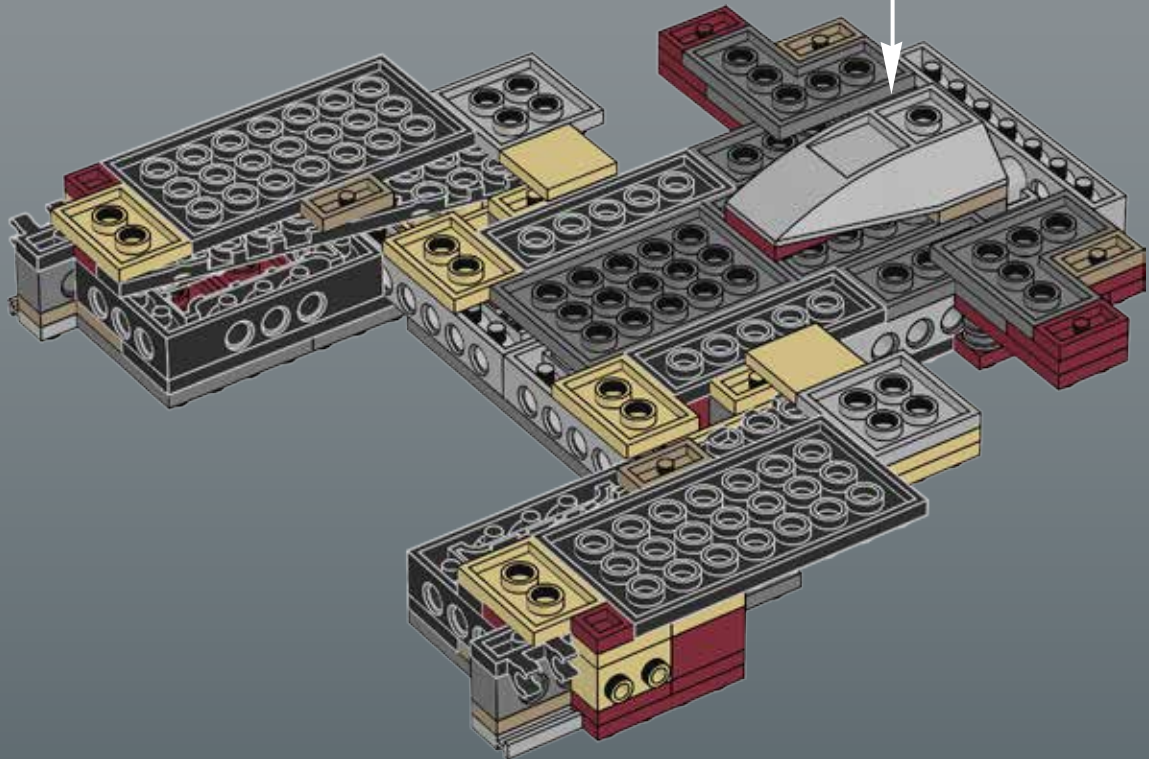
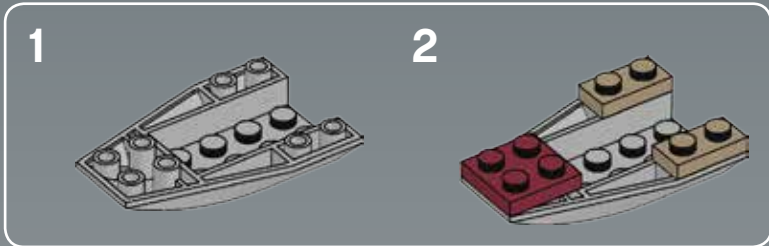


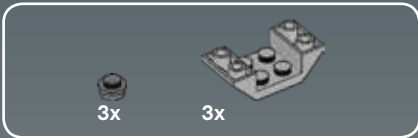
18



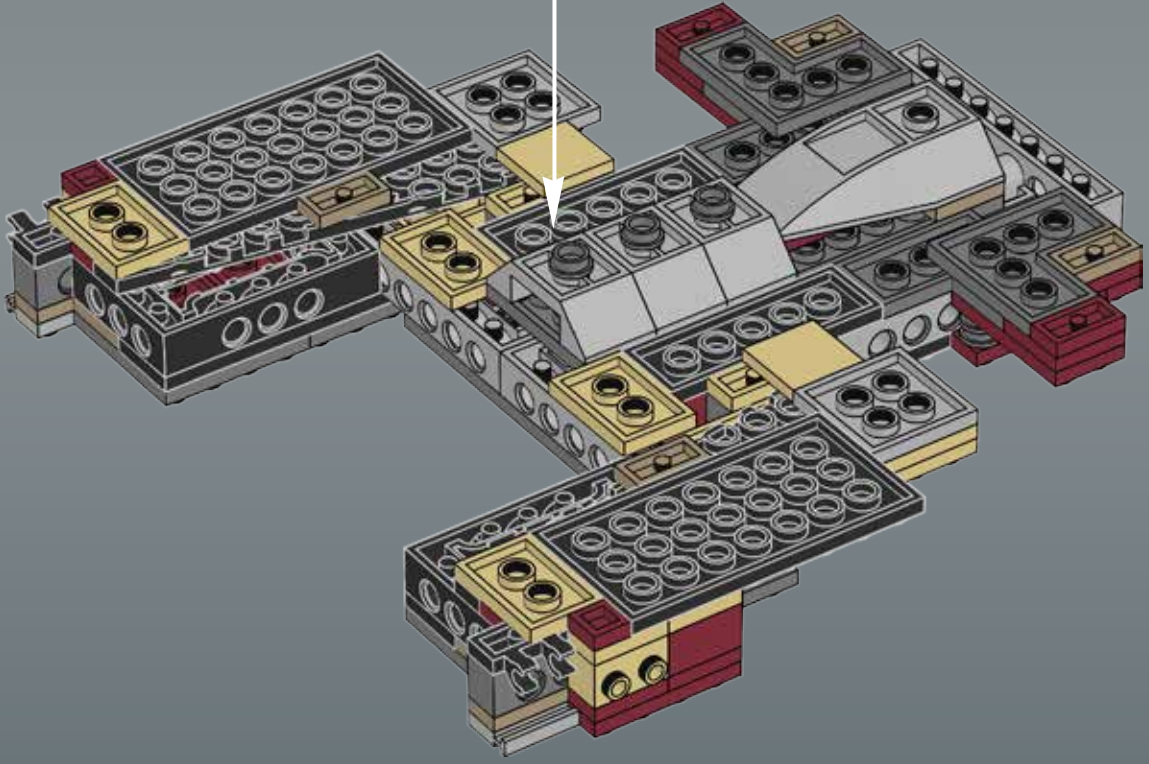
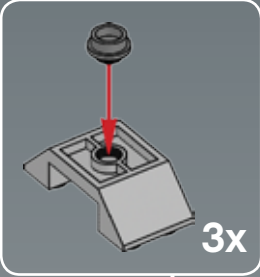


19





20



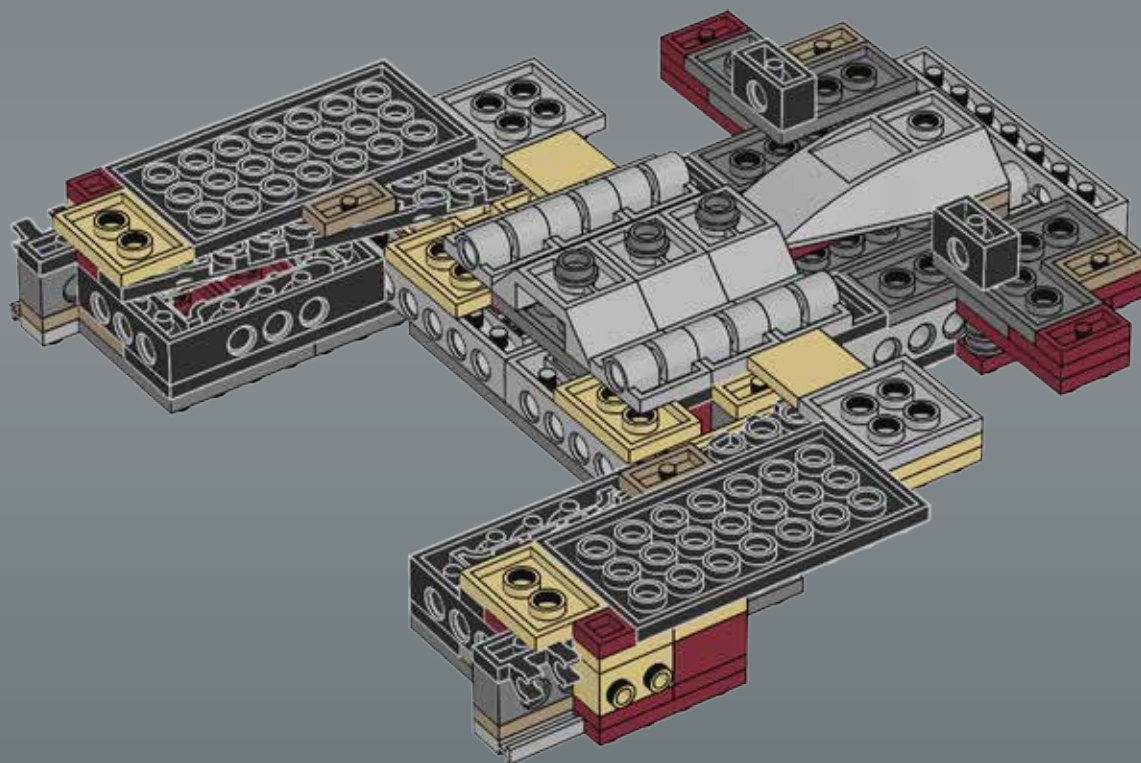


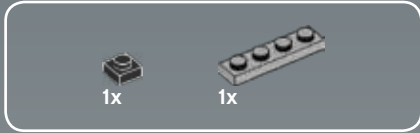
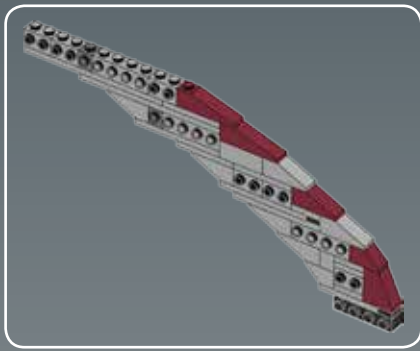
2x



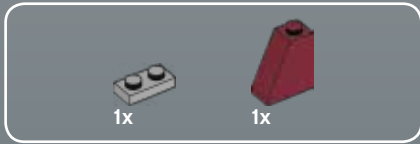
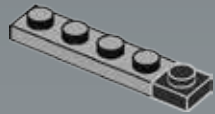
6x

21

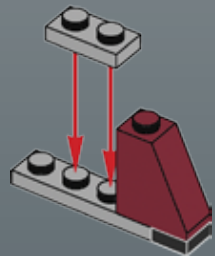




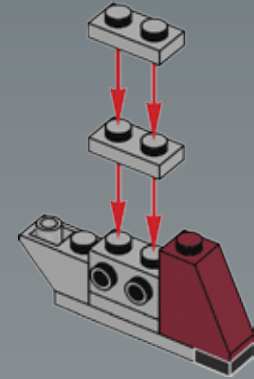
1



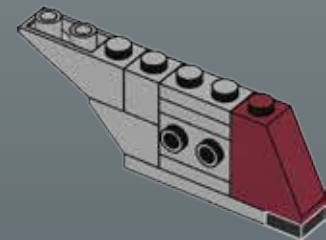
2



3

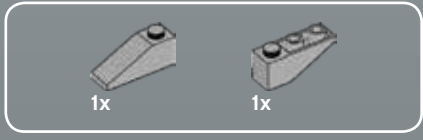
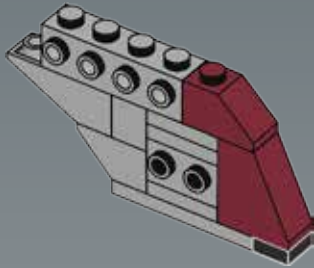


4

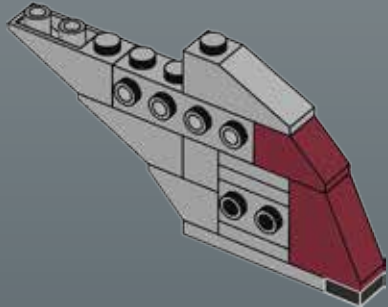


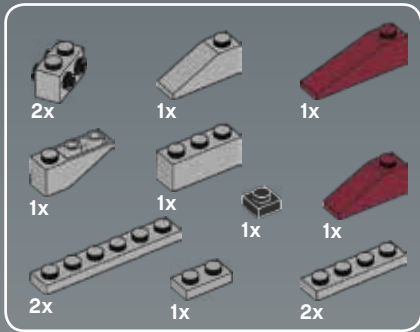
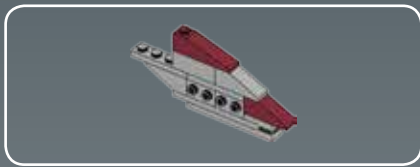


5



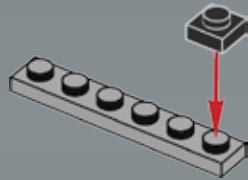
6



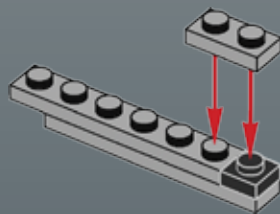


7

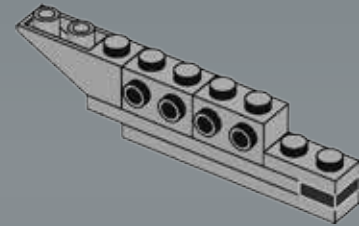
1



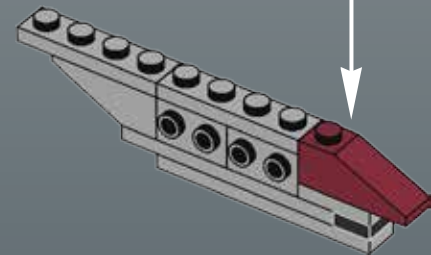
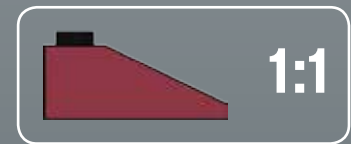
2



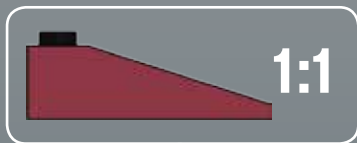
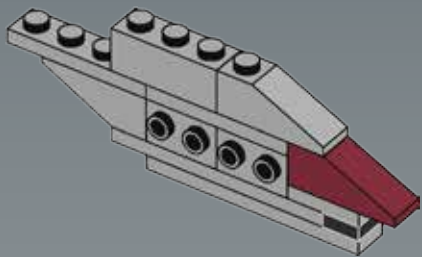
3



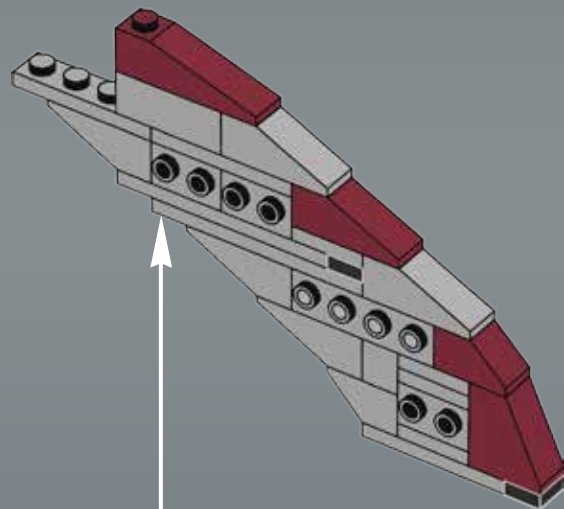
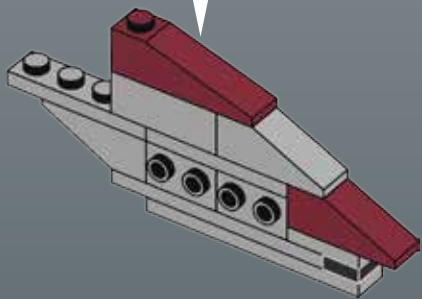
4

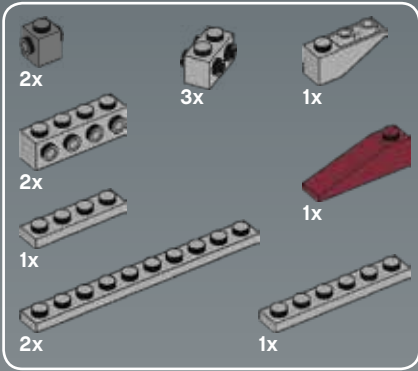
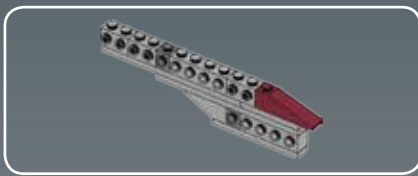


5



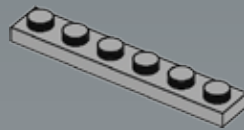
6



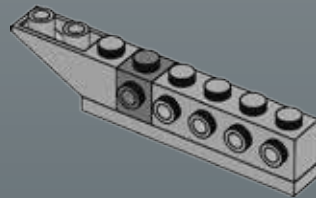


8

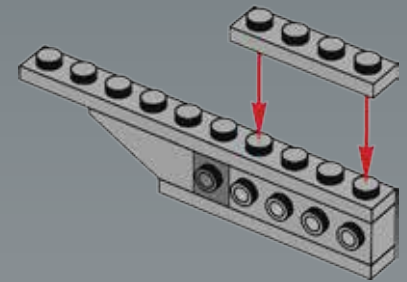
1



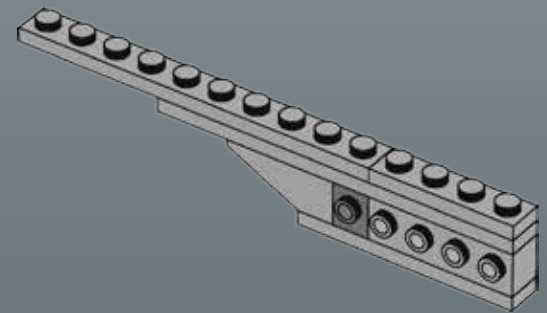
2



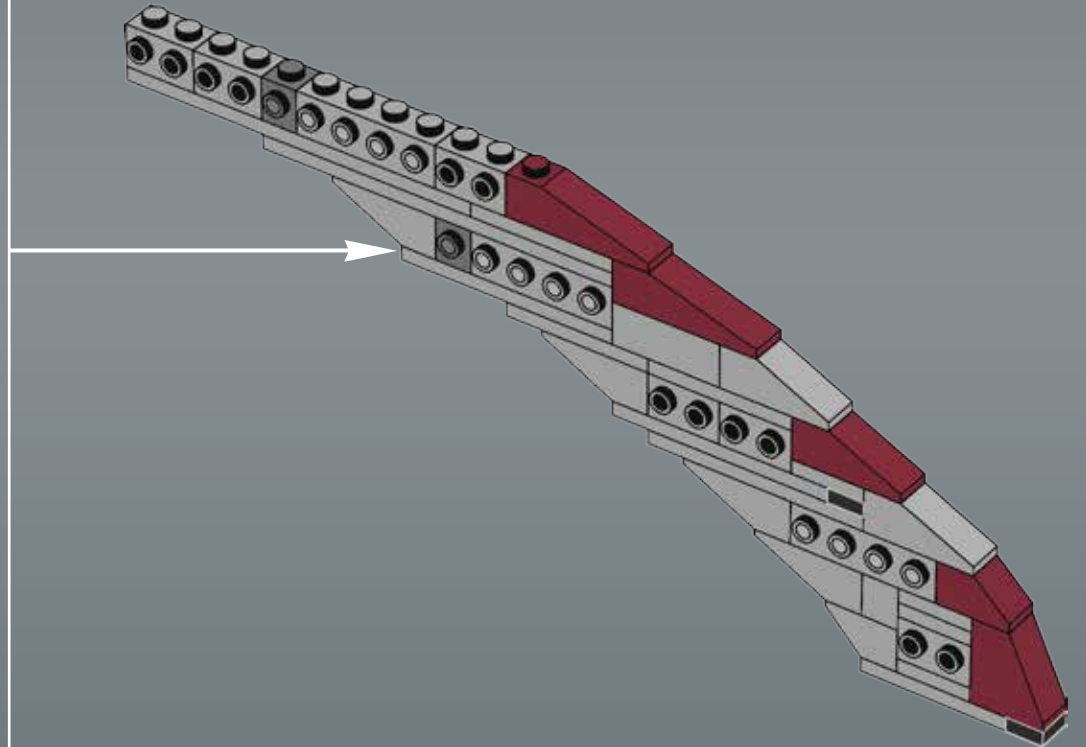
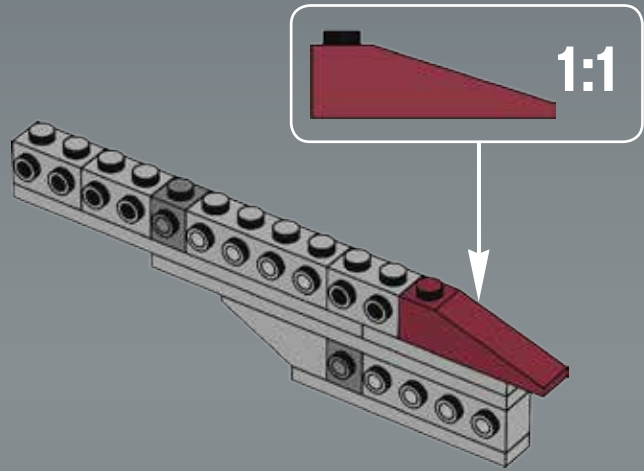
3

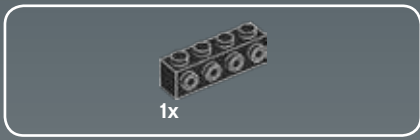


4

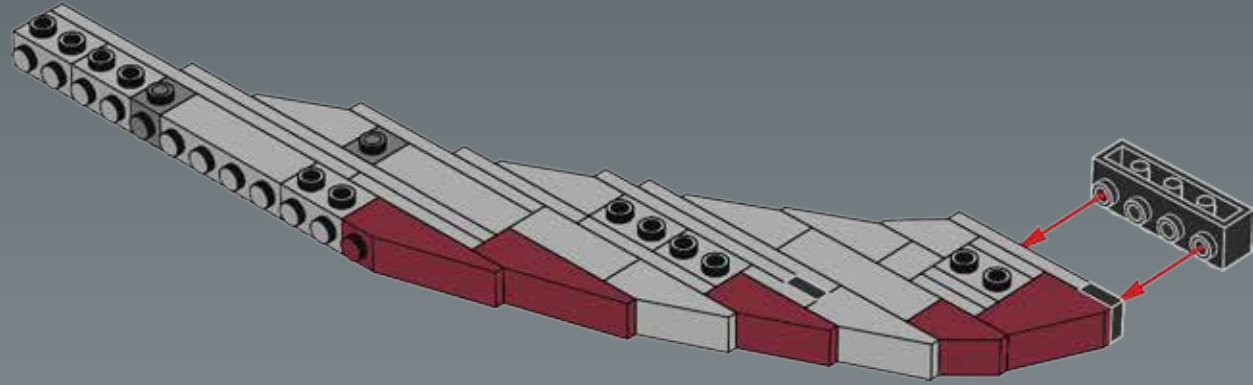


5

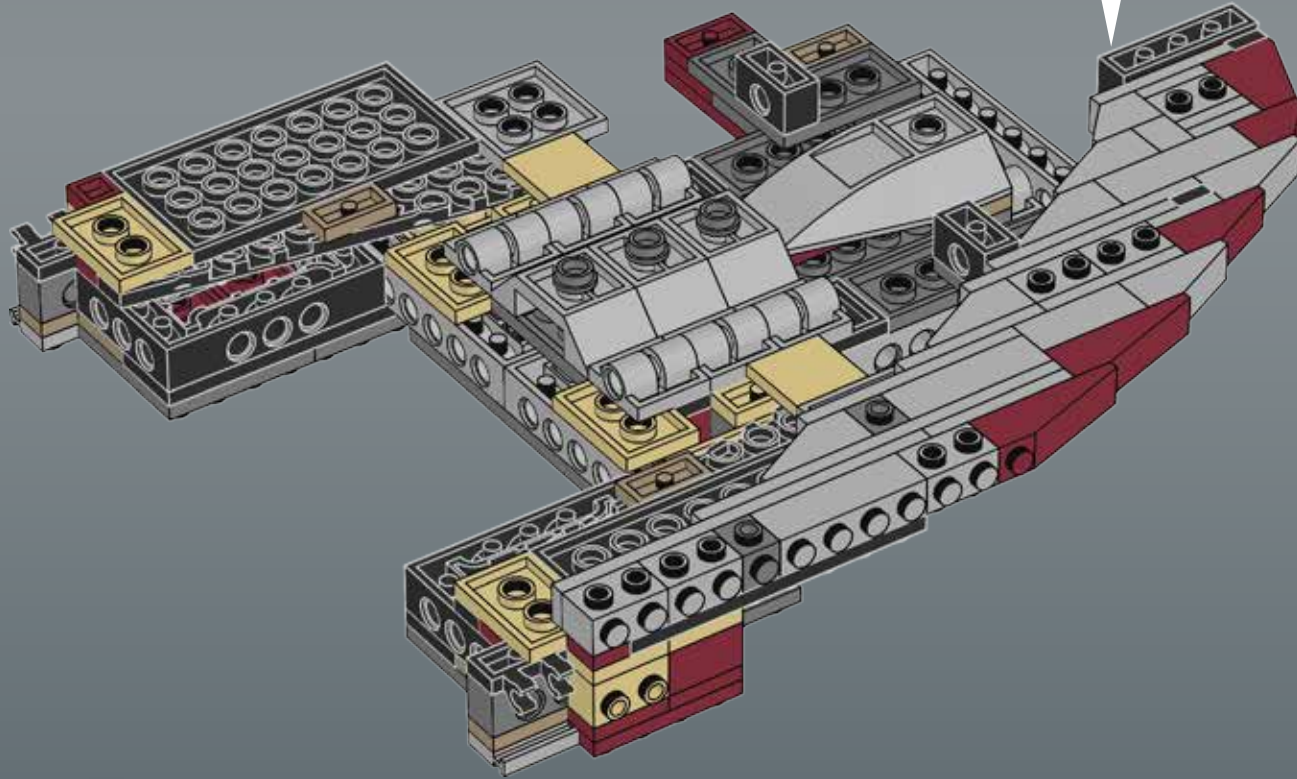


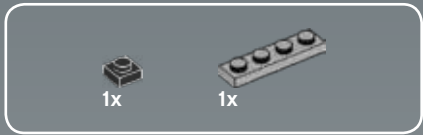
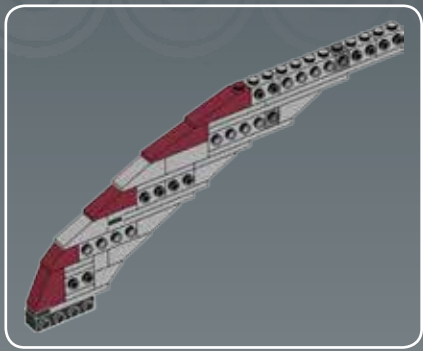


9

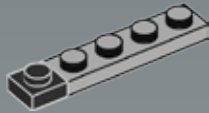


22

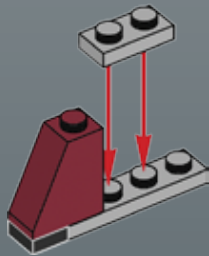




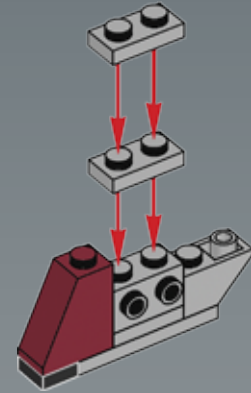
1



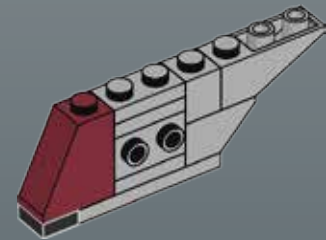
2



3

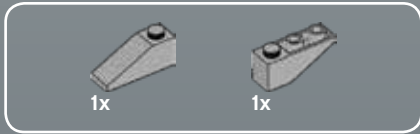
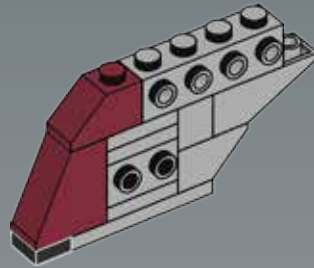


4

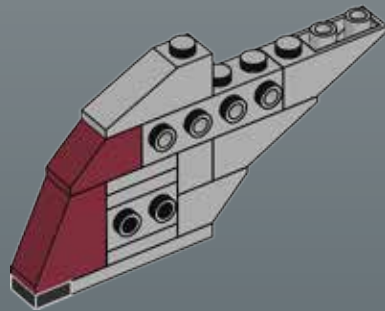


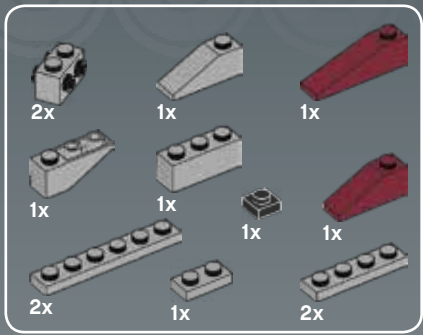


5



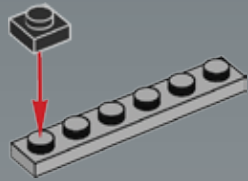
6



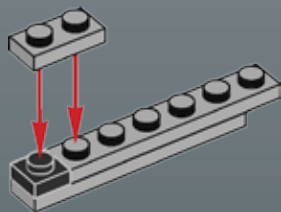


7

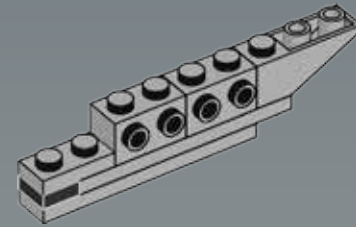
1



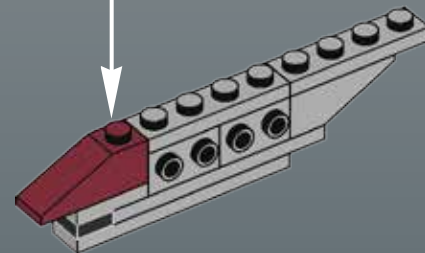
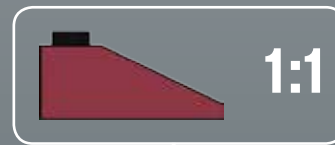
2



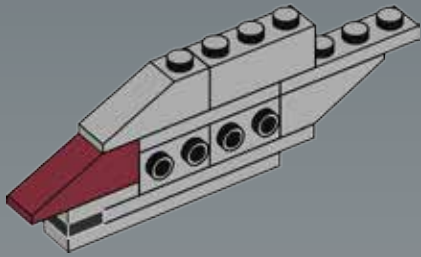
3



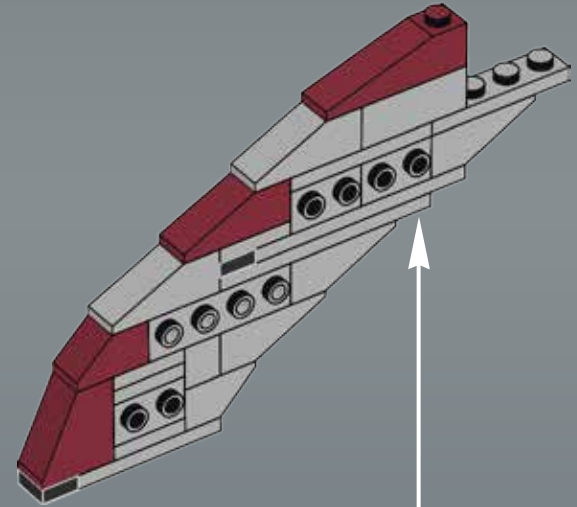
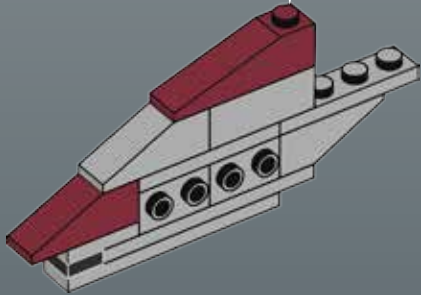
4

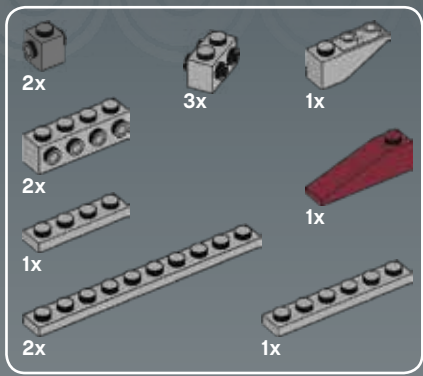


5



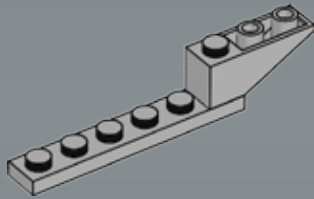
6



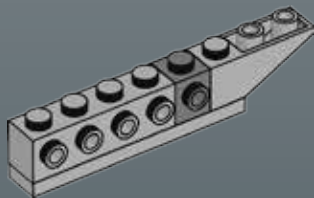


8

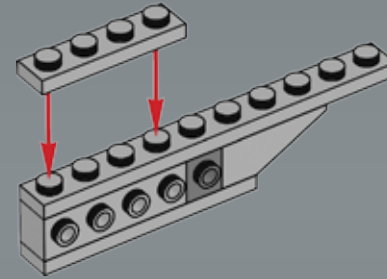
1



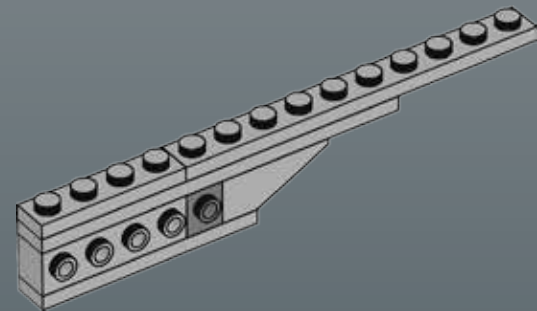
2



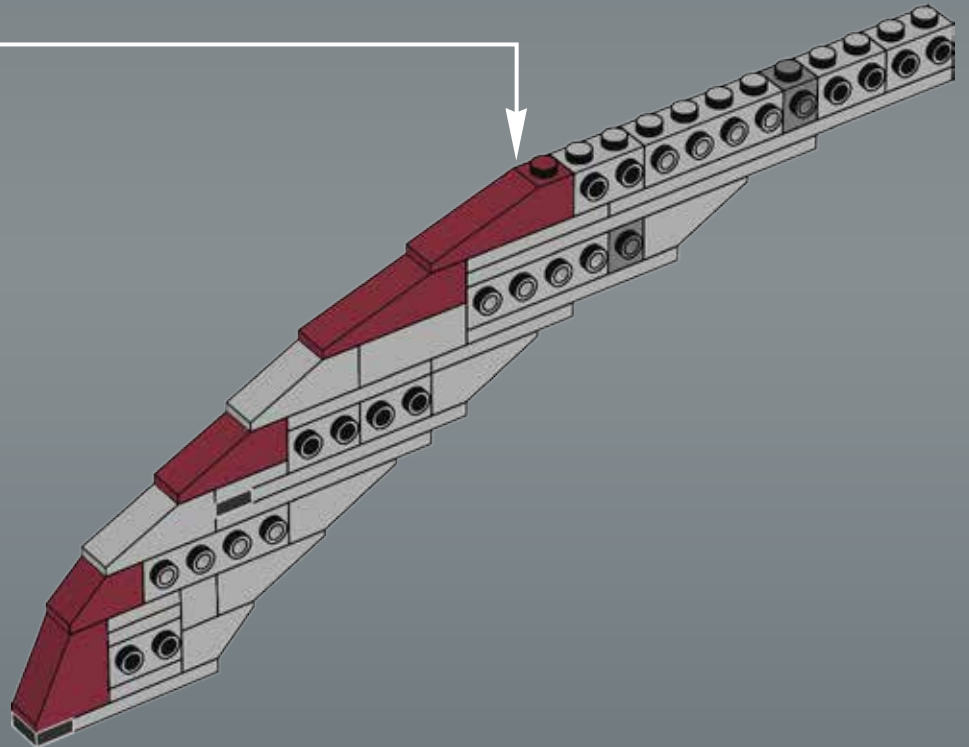
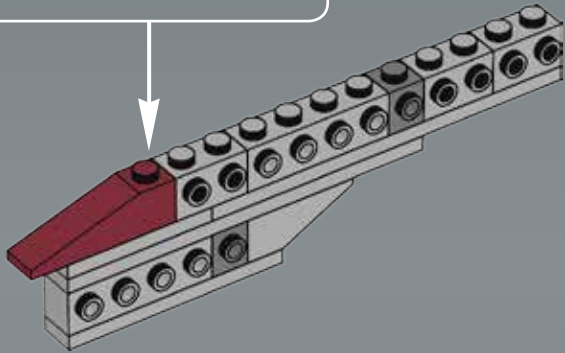
3

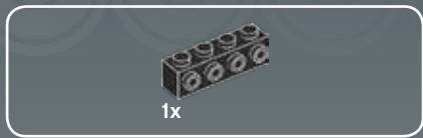


4

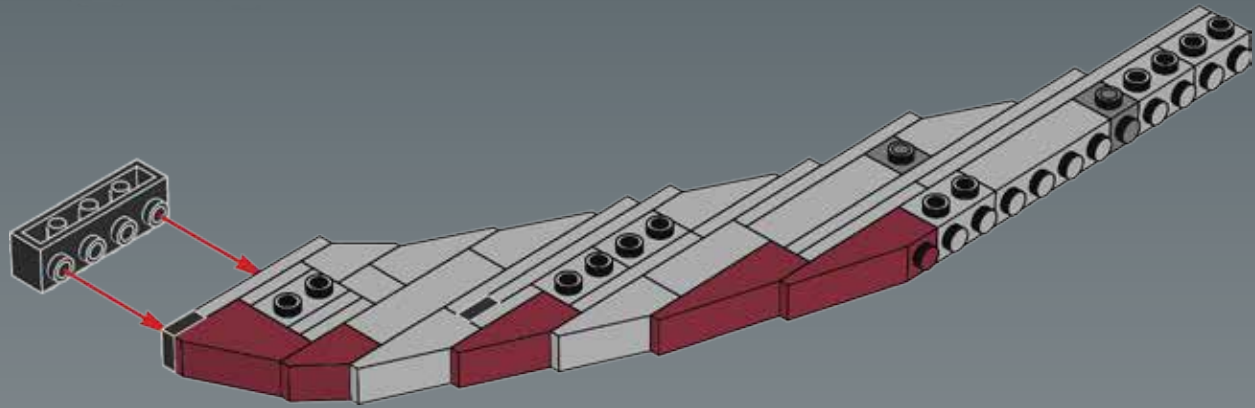


5

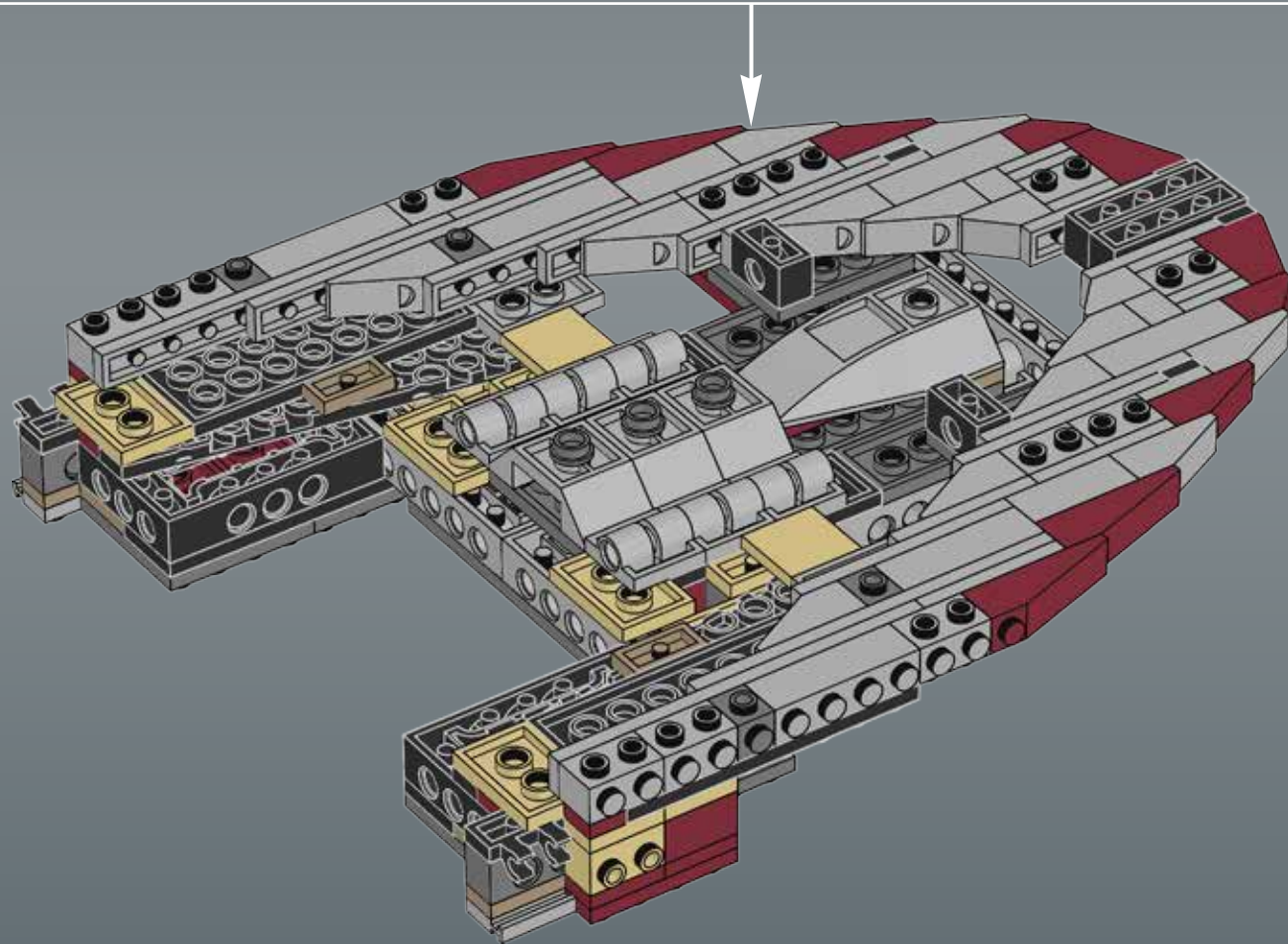


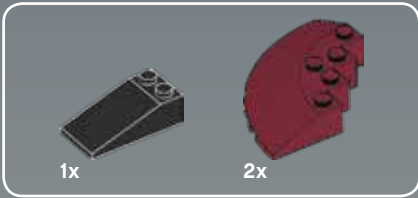
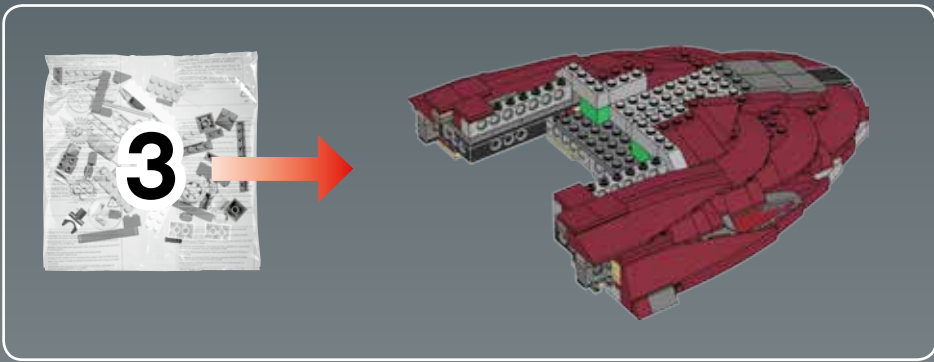


9

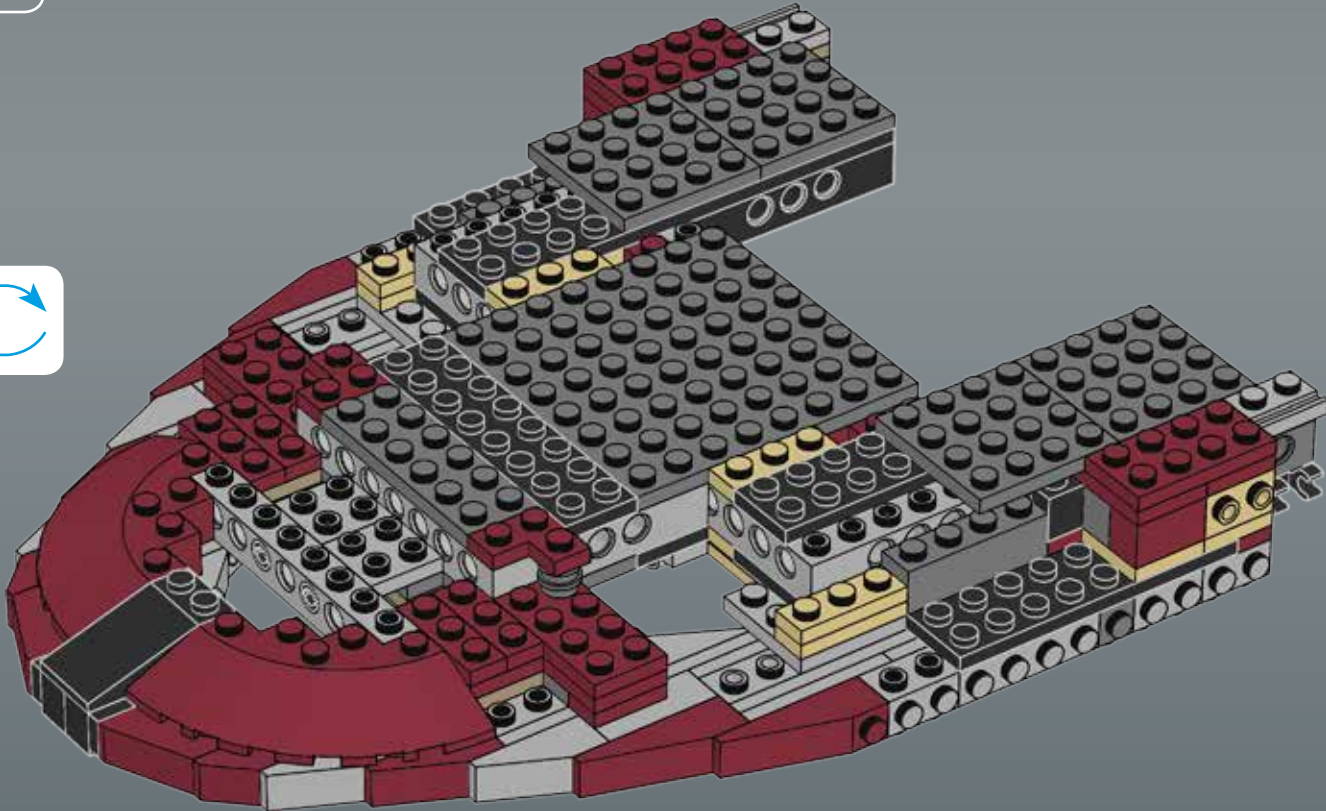


23



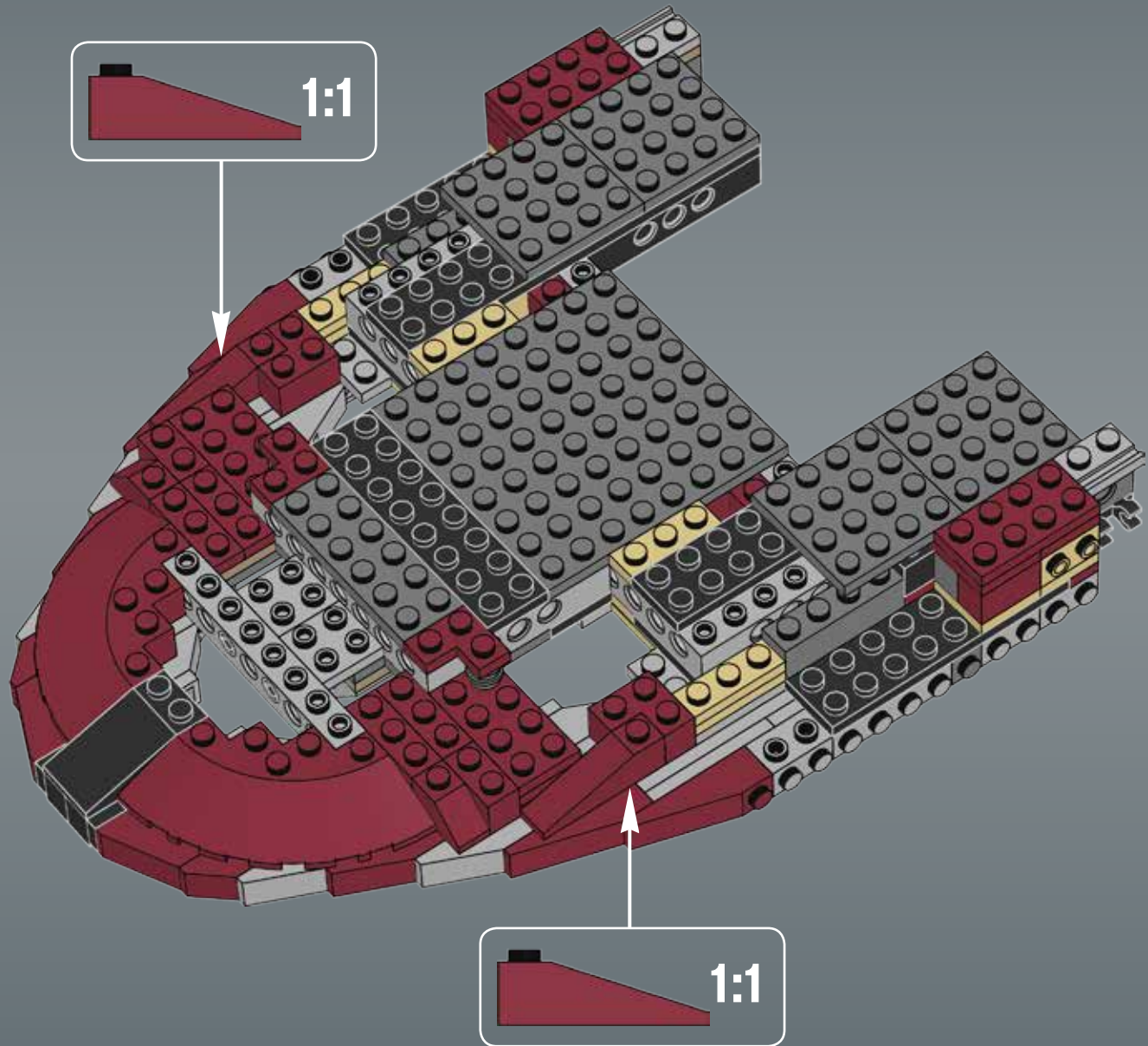


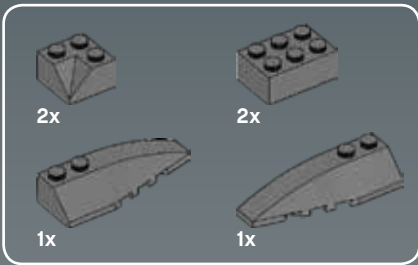
24



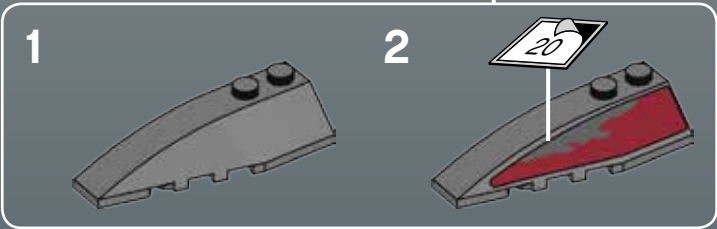
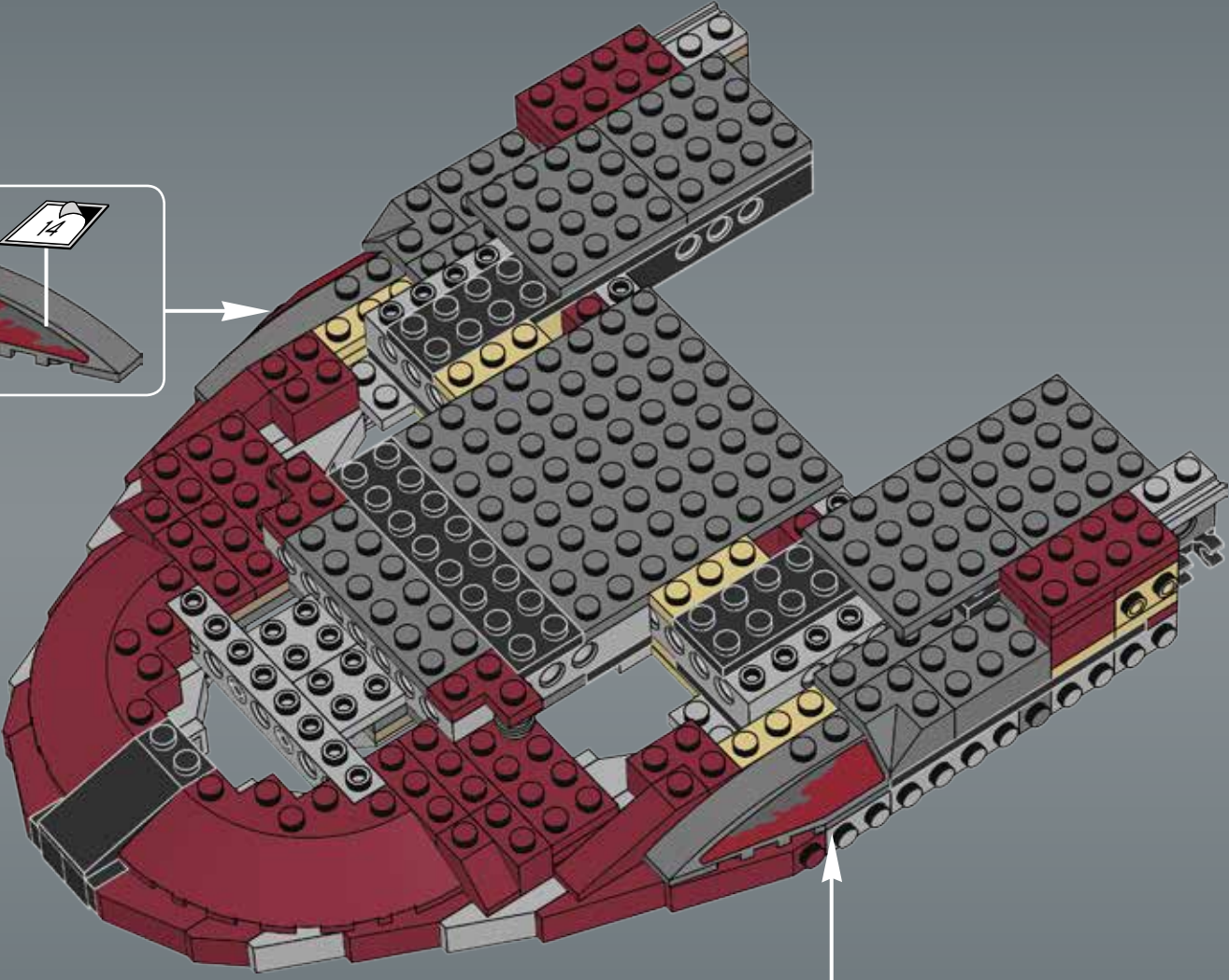
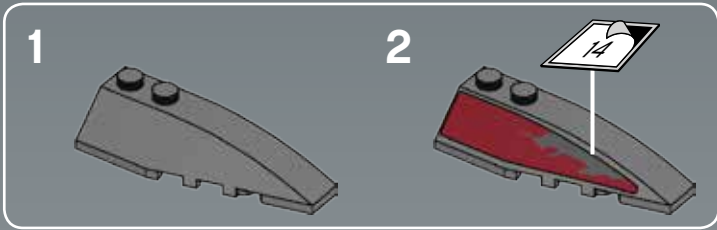


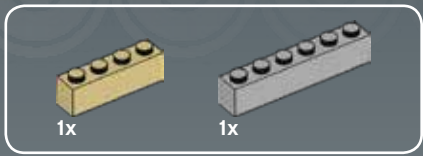
25



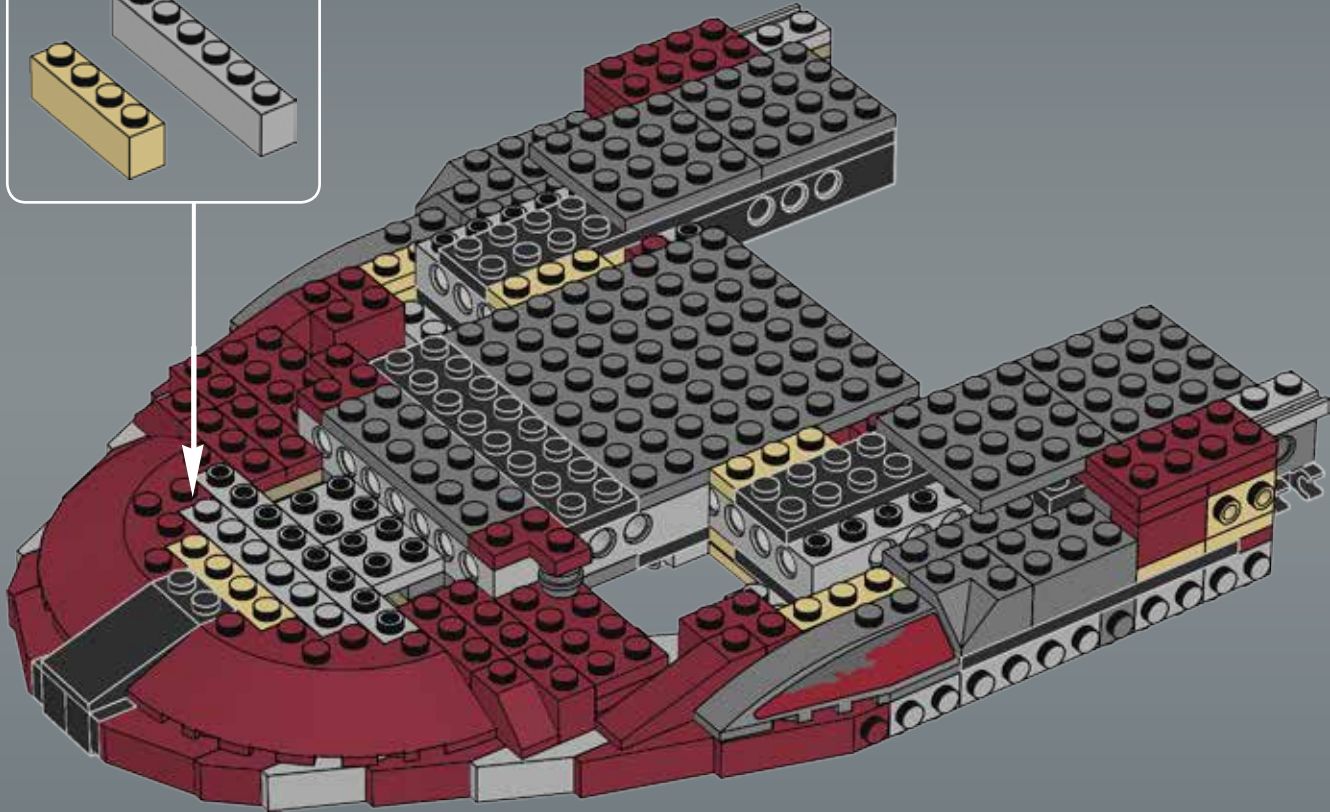
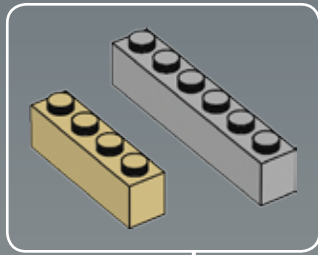


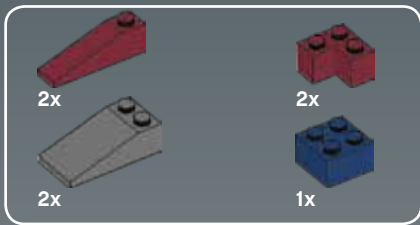
26



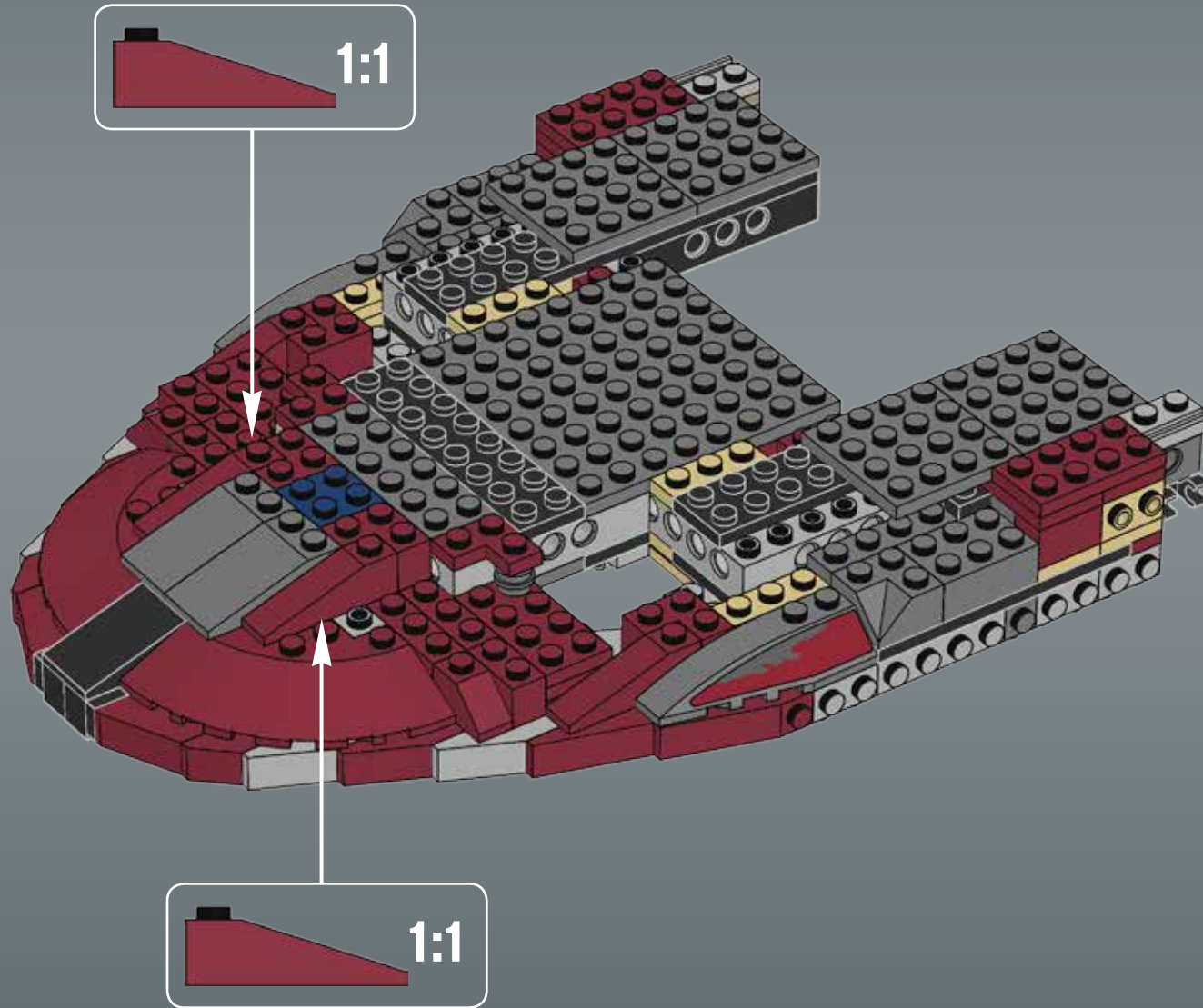


27



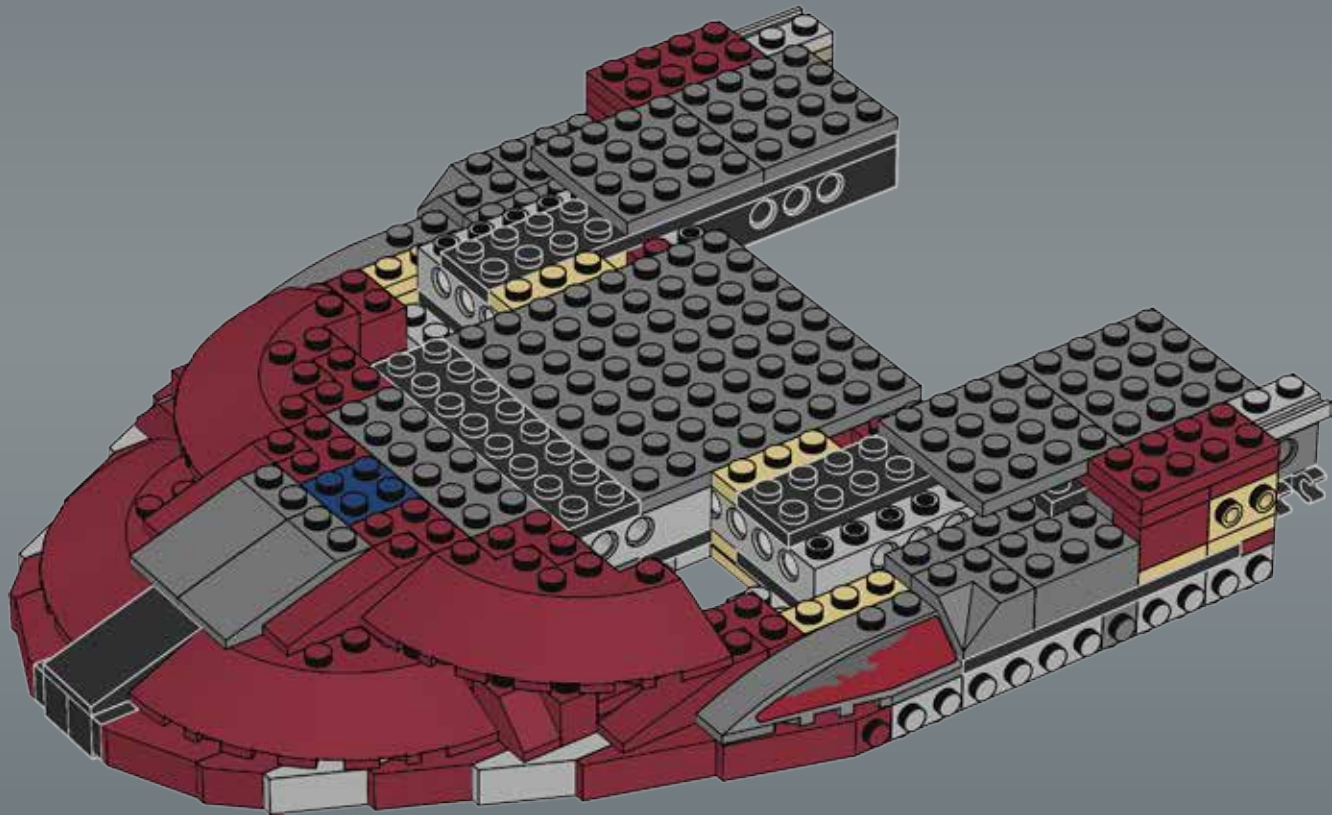


28



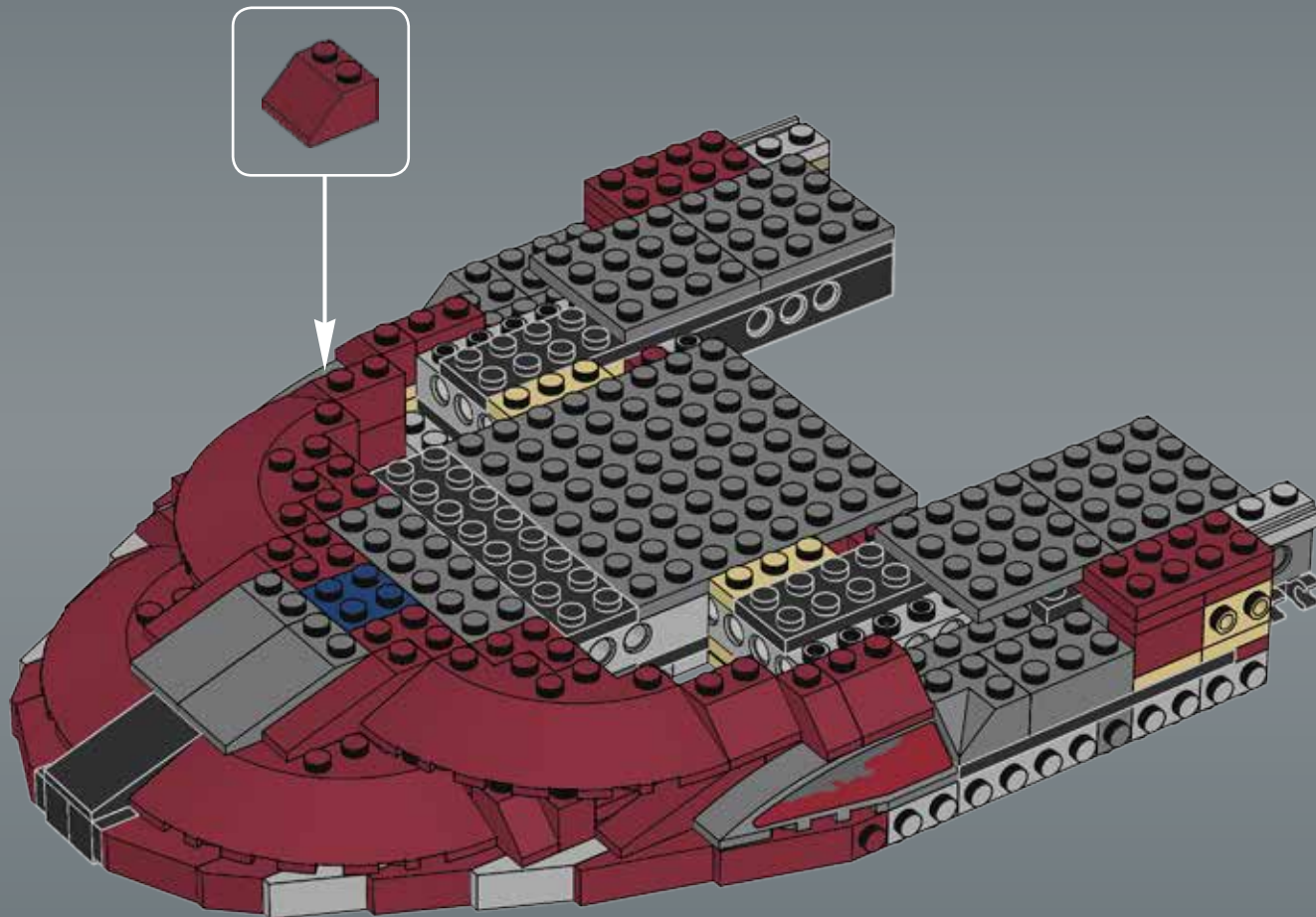


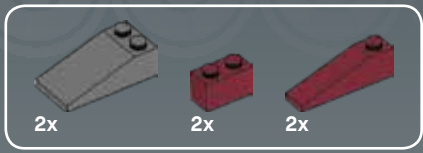
29



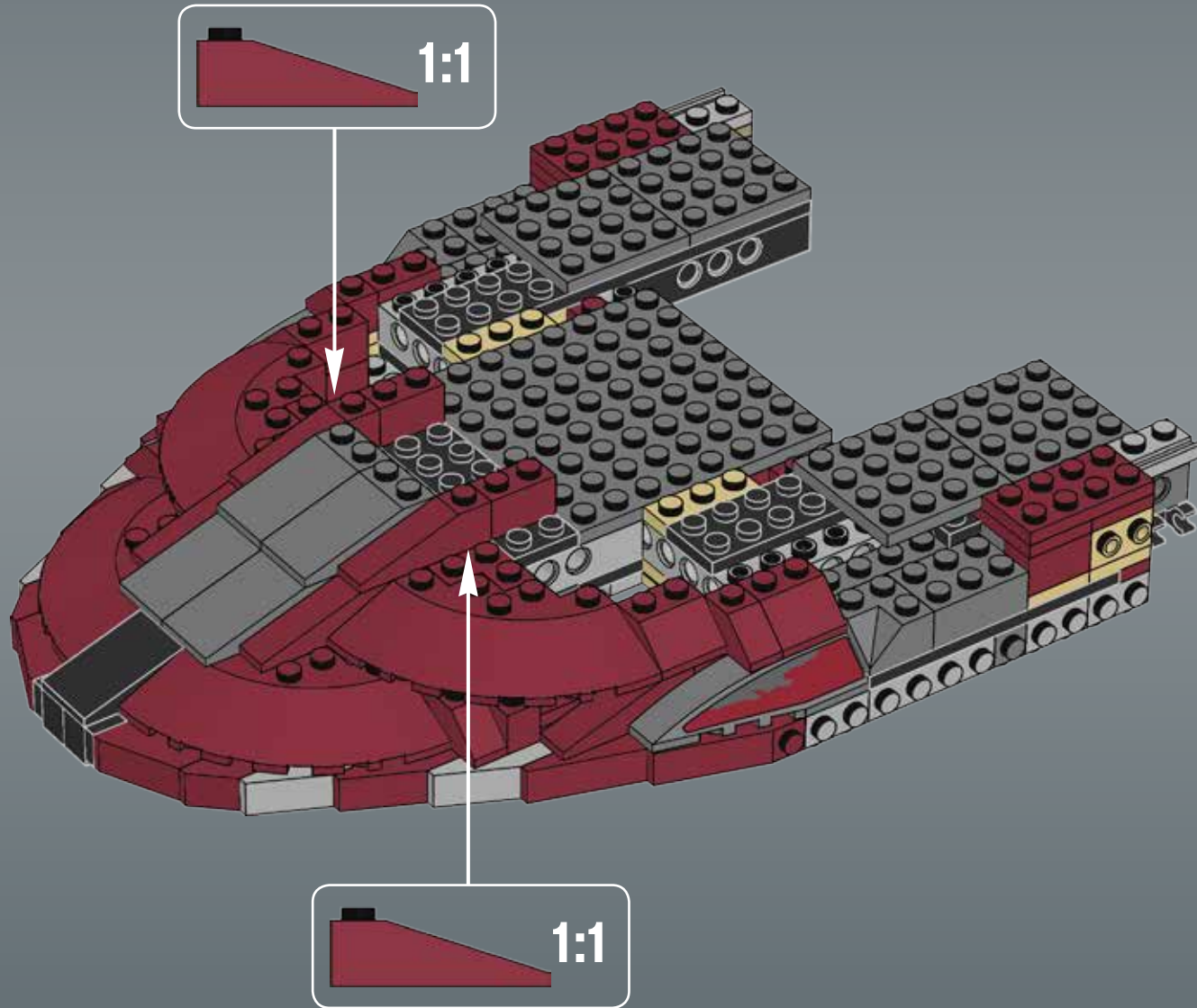


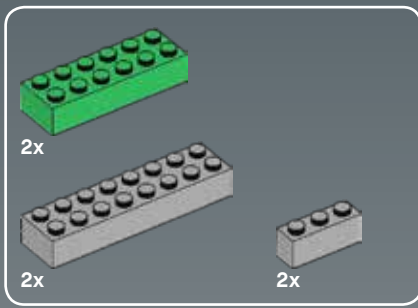
30



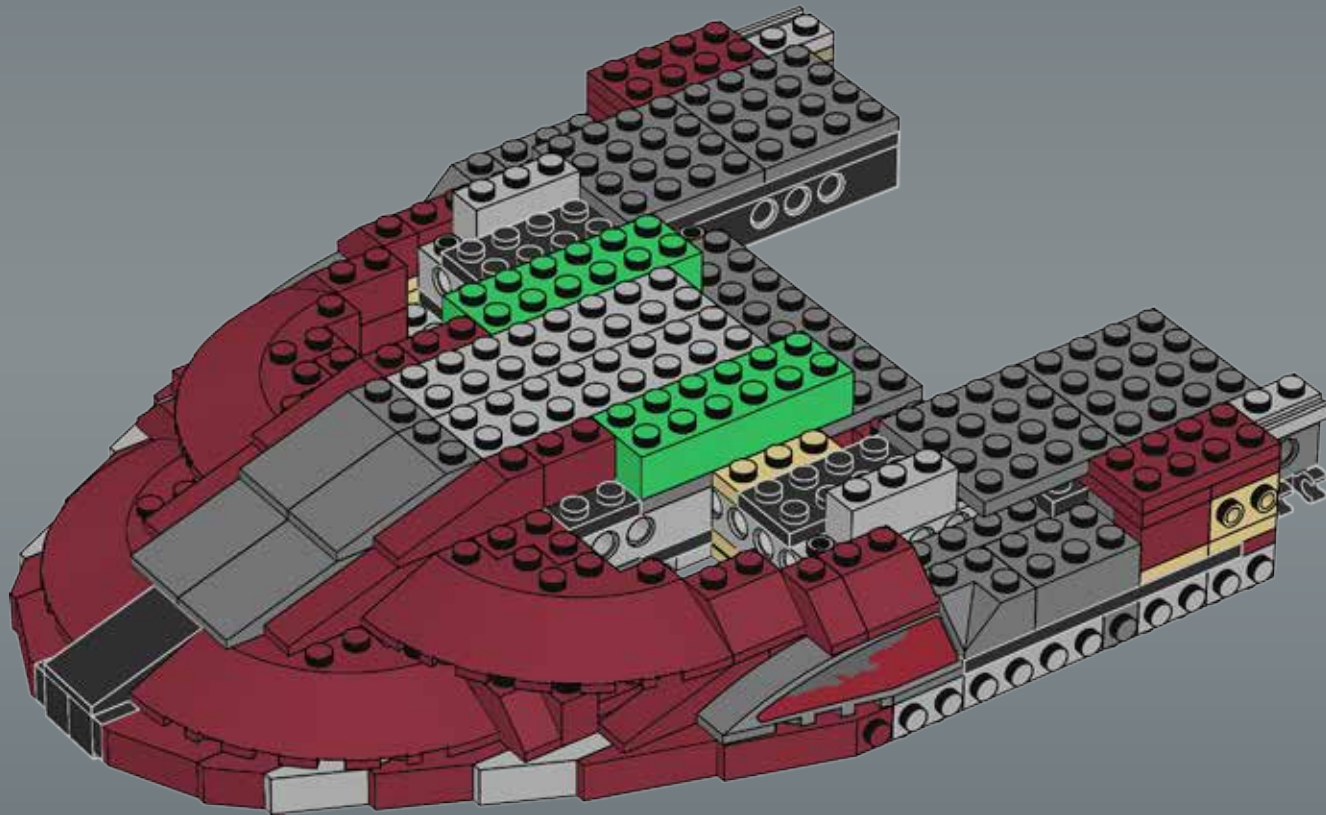


31



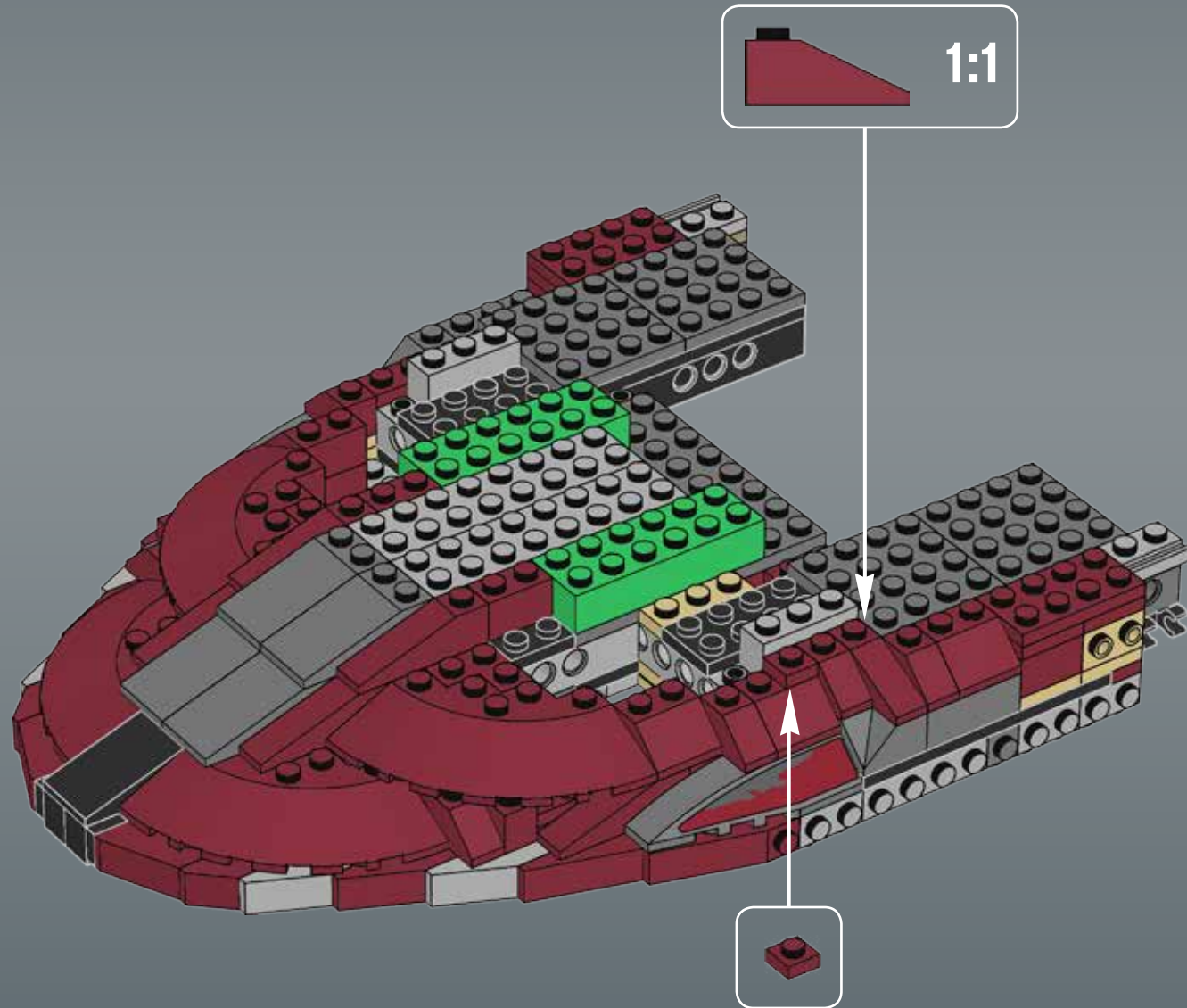


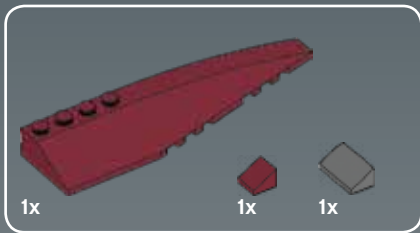
32



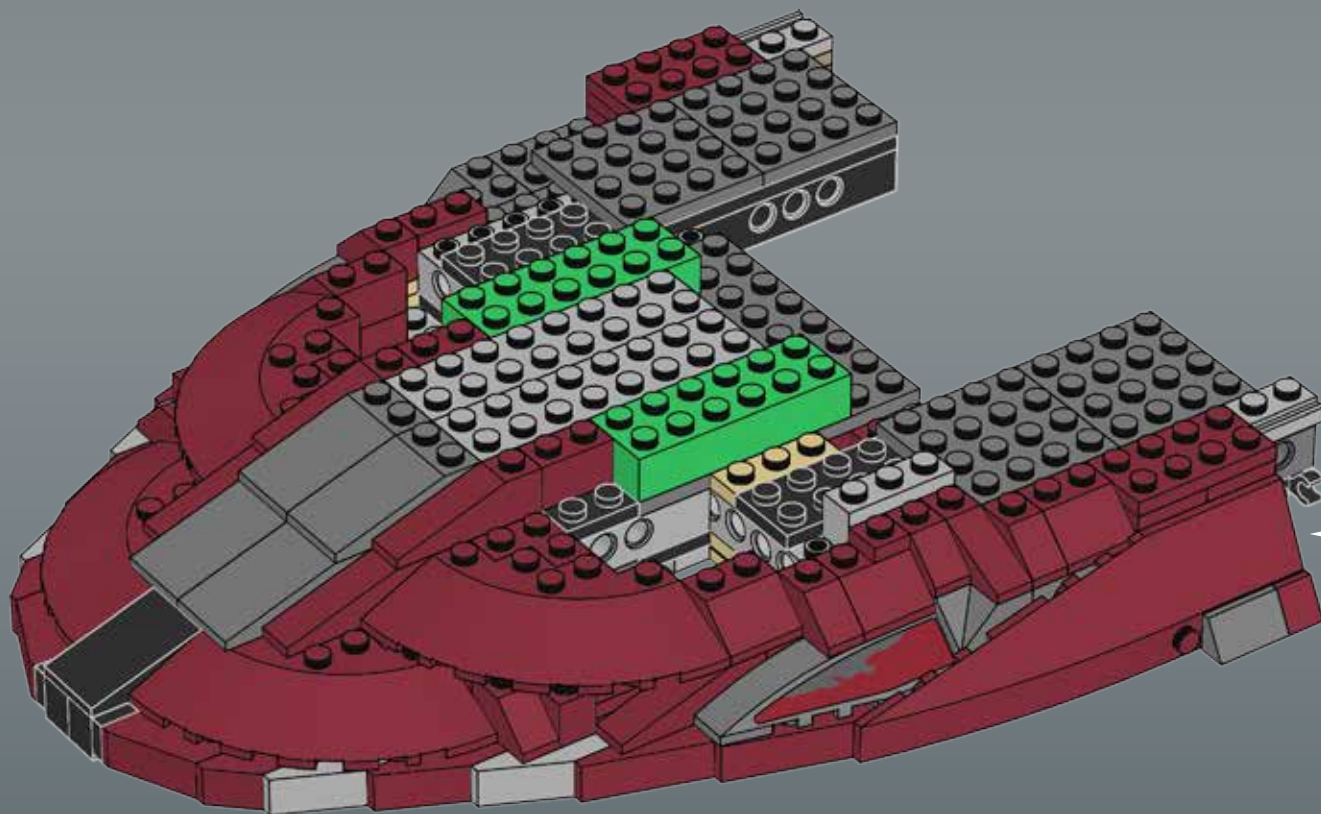
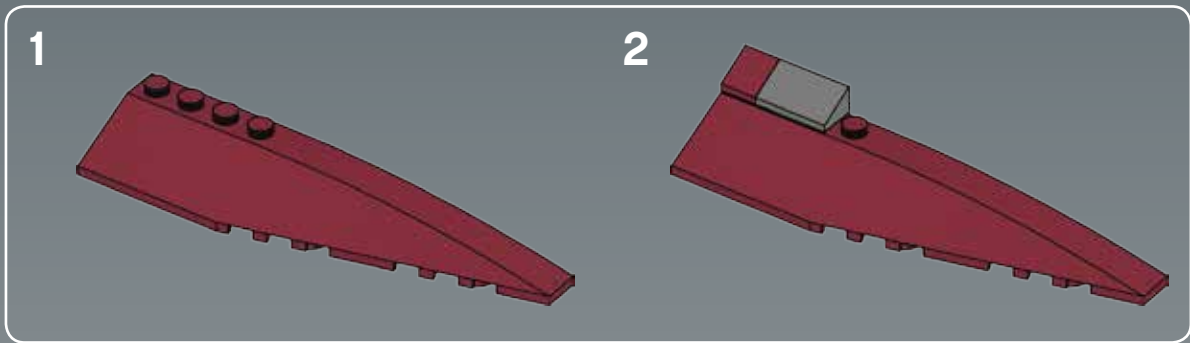


33



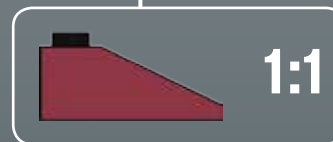
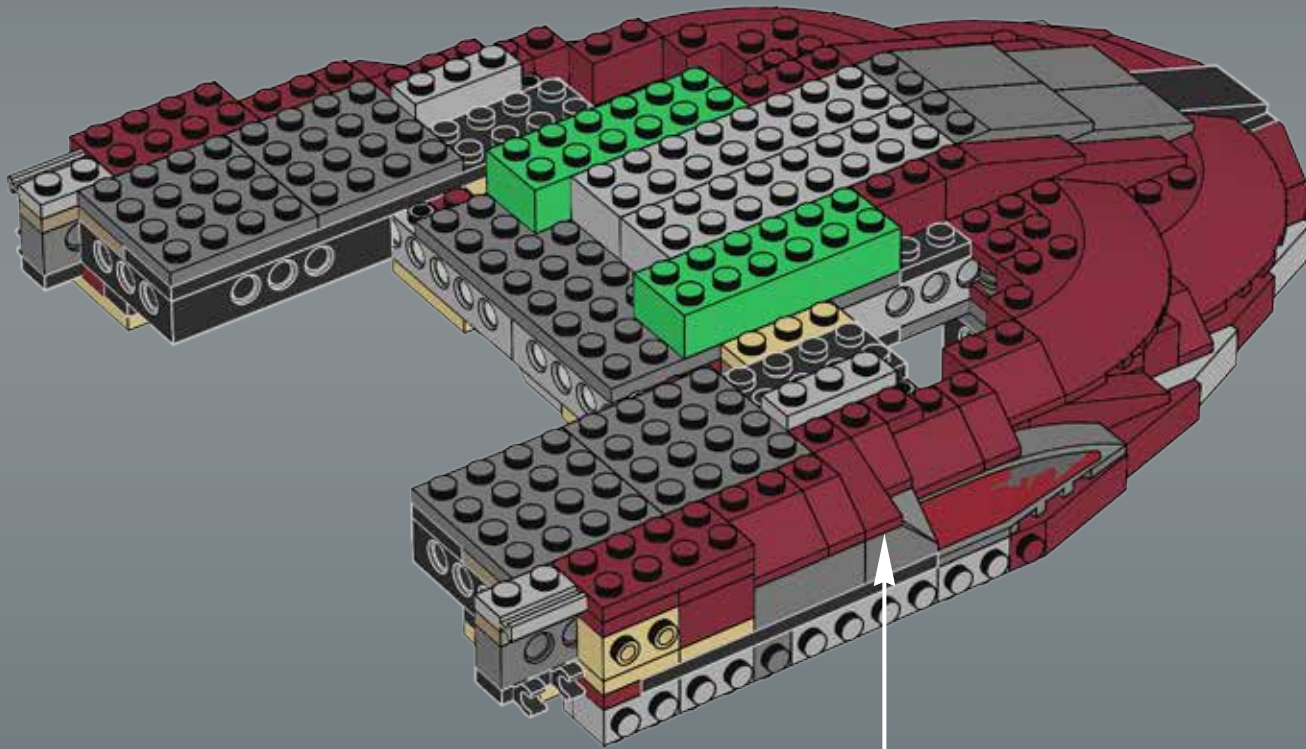


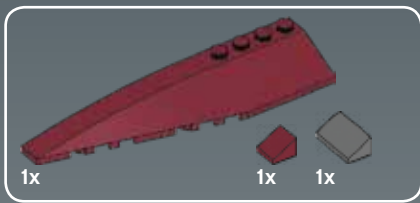
34



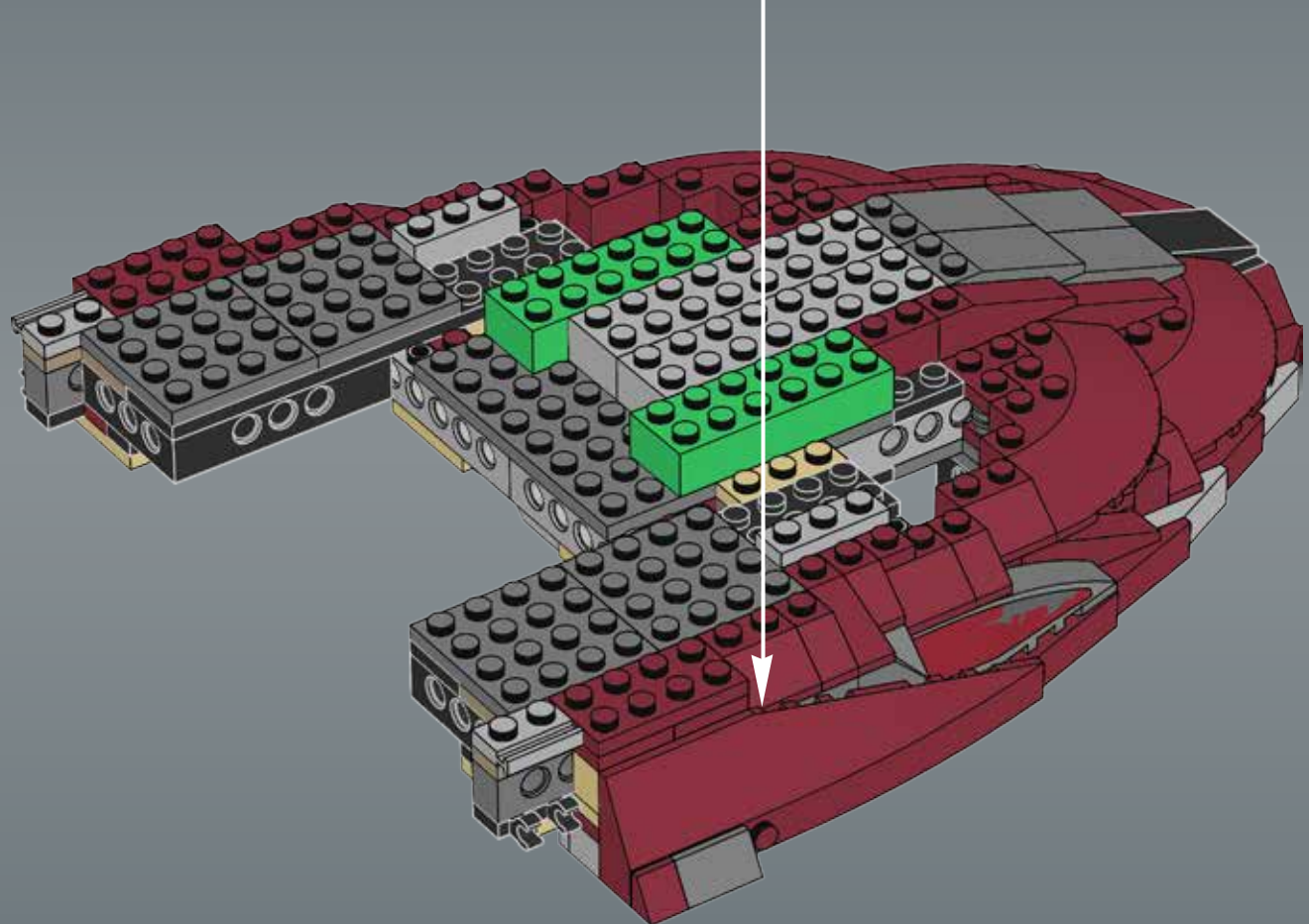
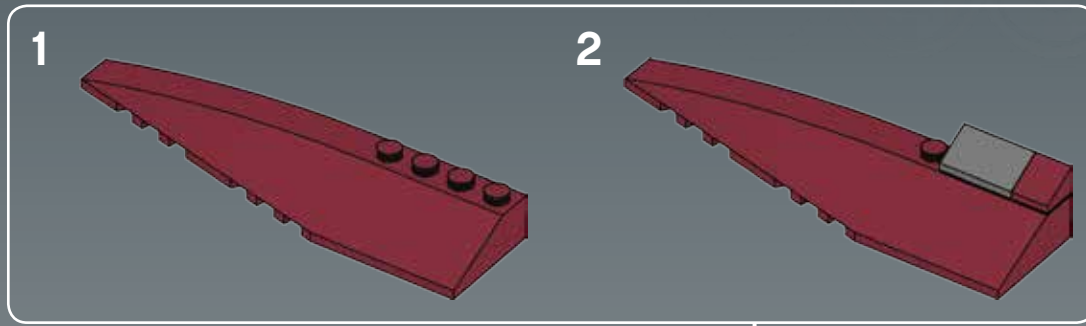


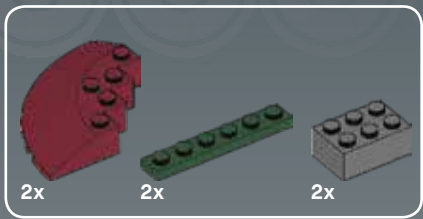
35



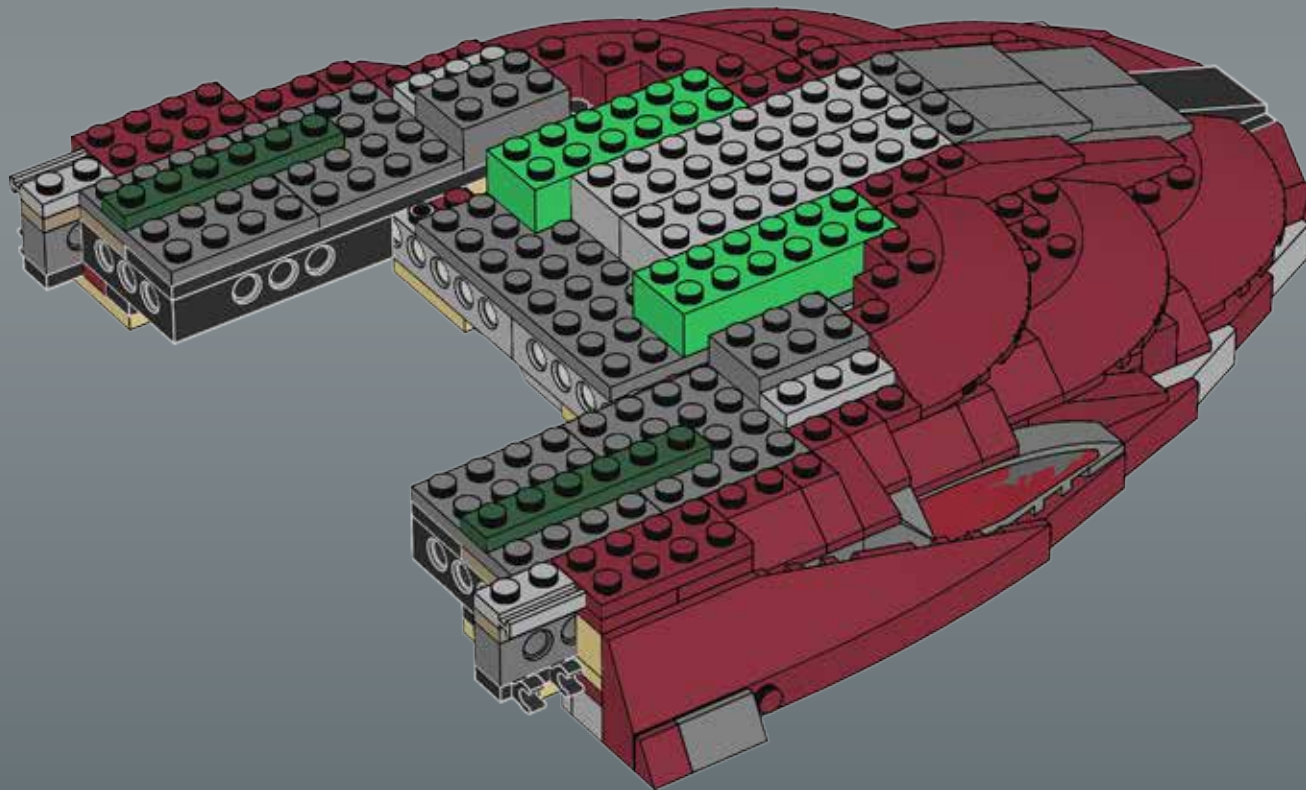


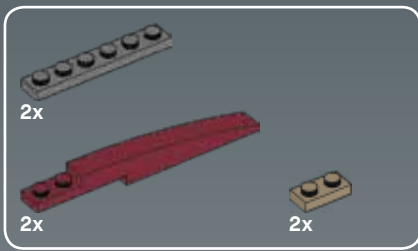
36



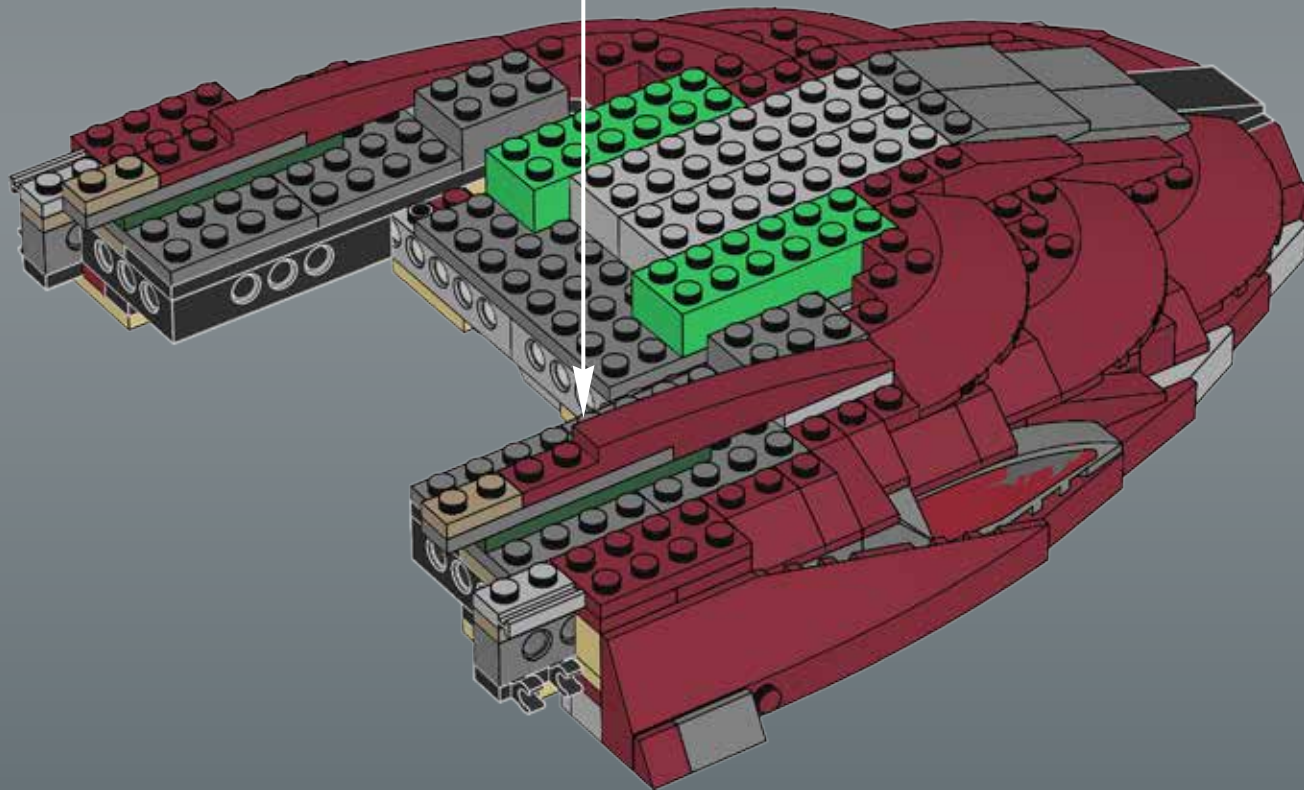
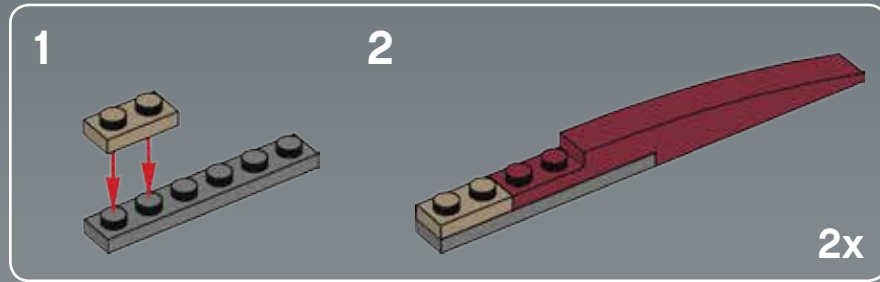


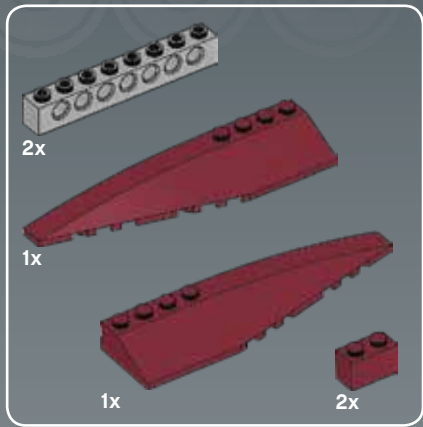
37



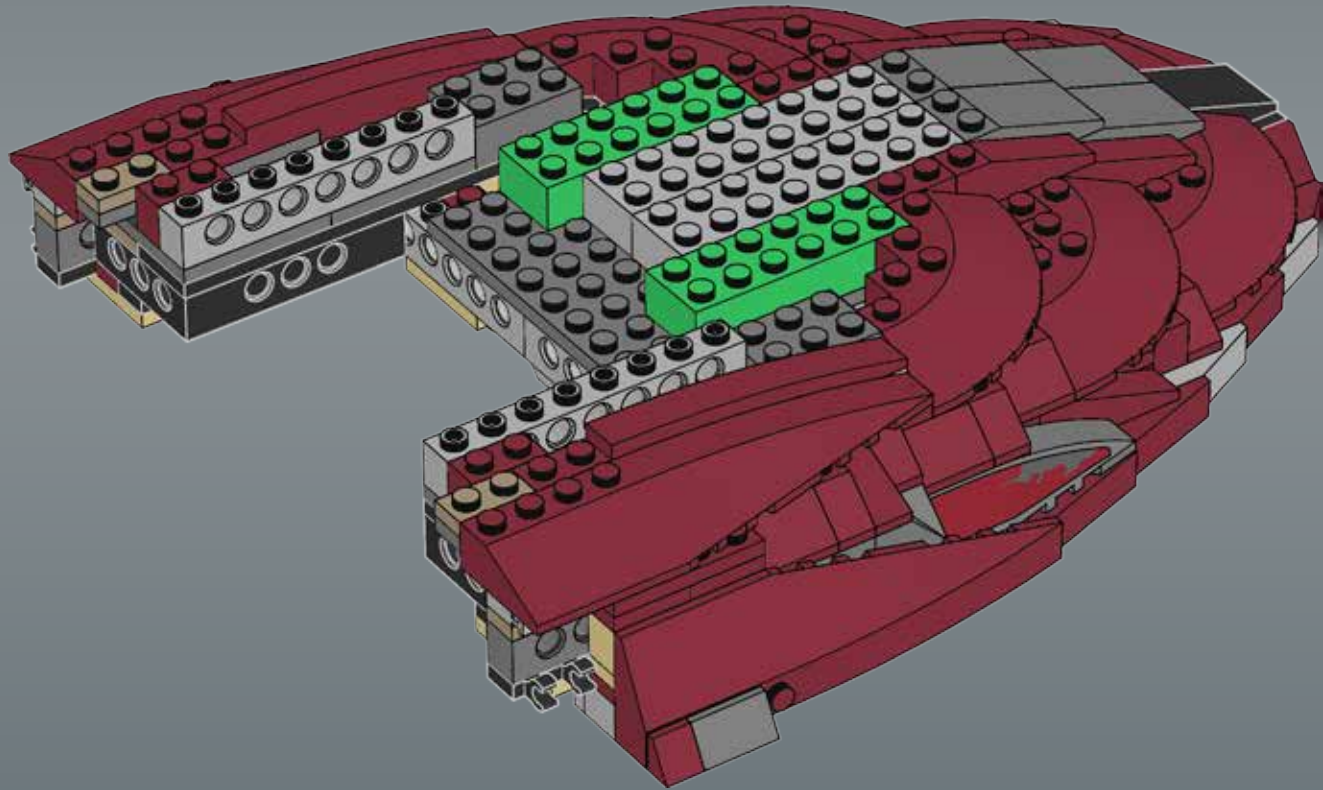


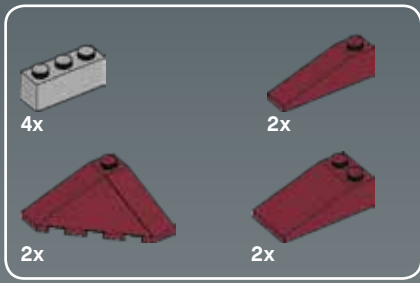
38



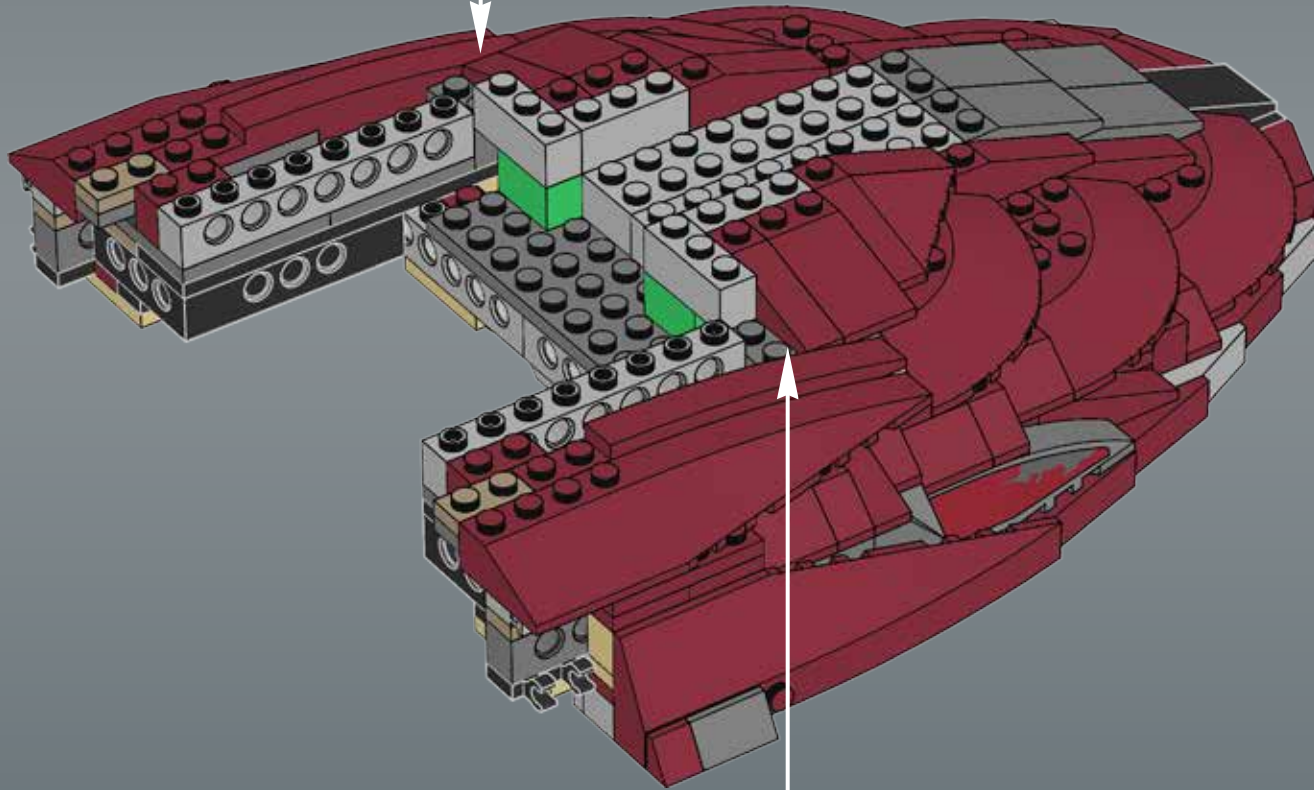


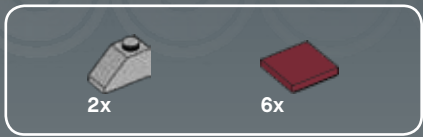
39



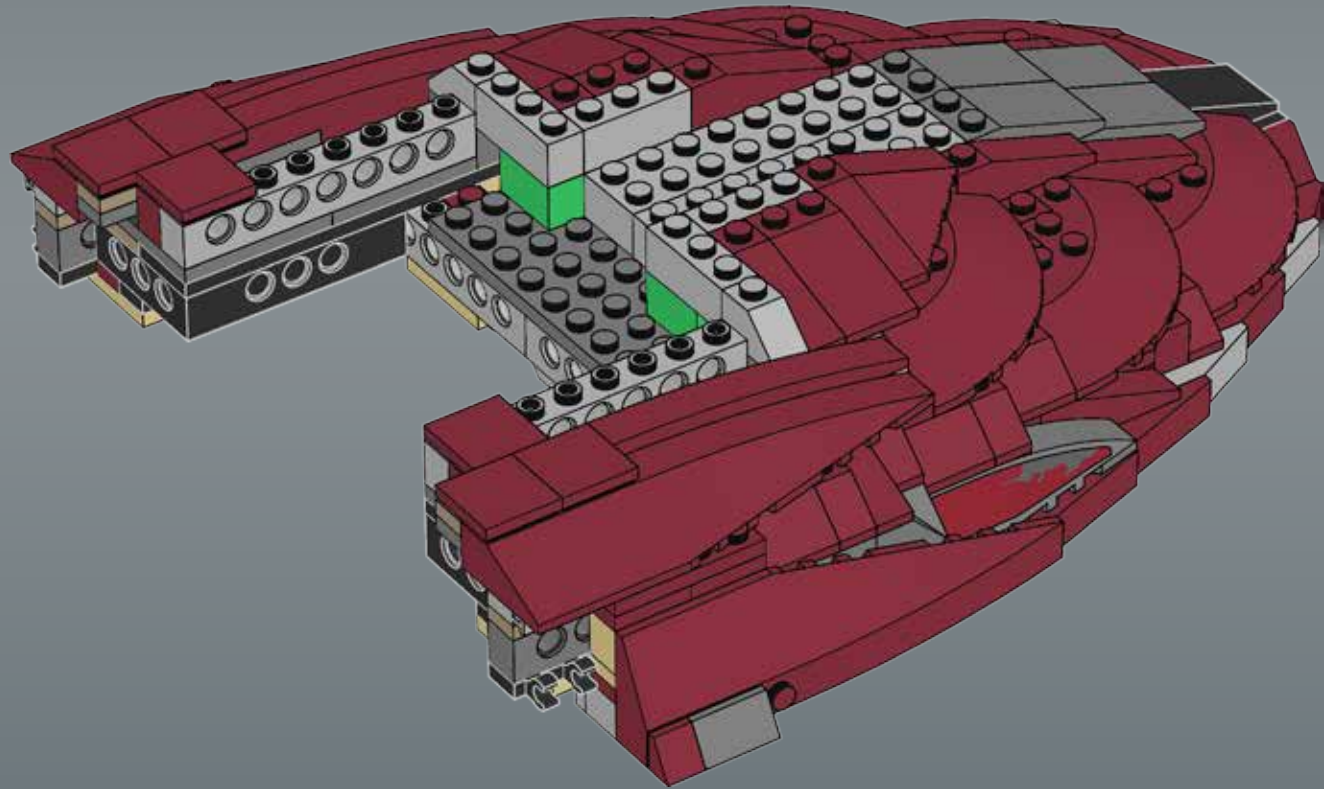


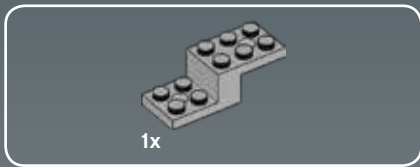
40



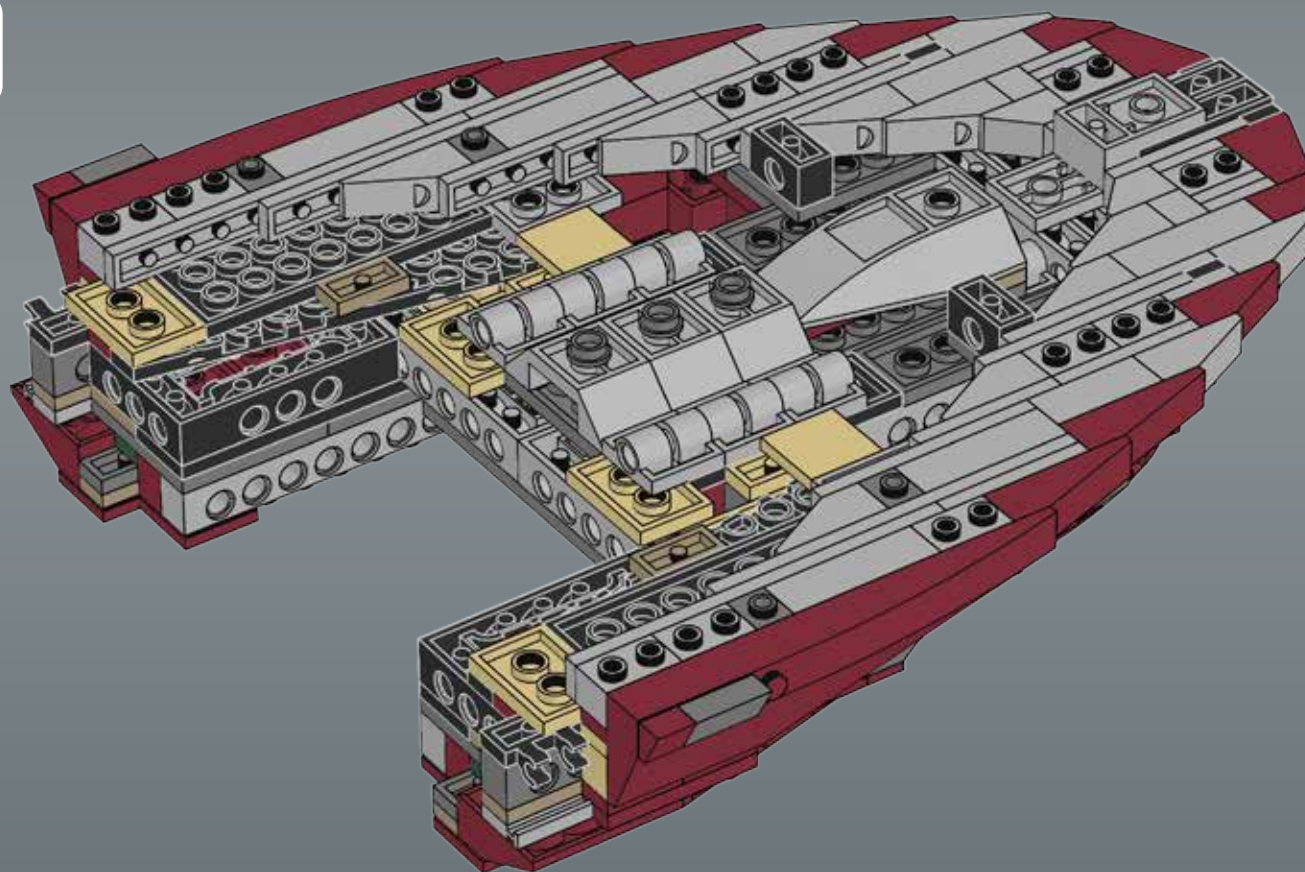


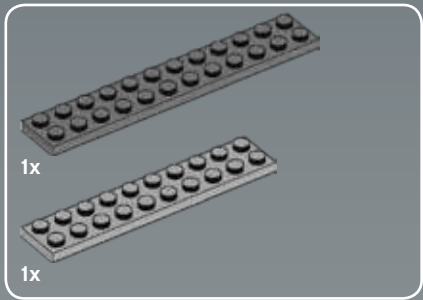
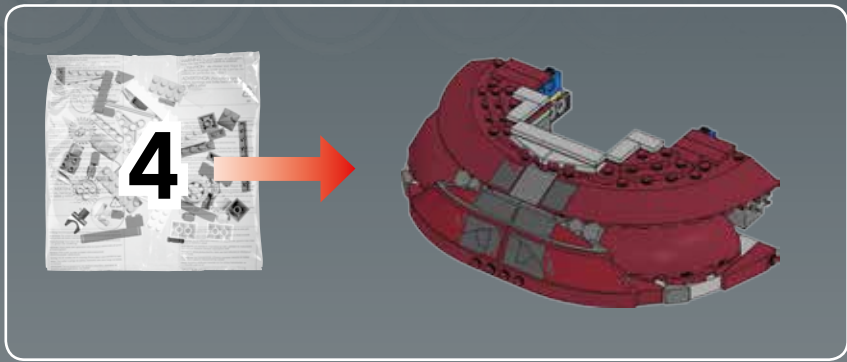
41



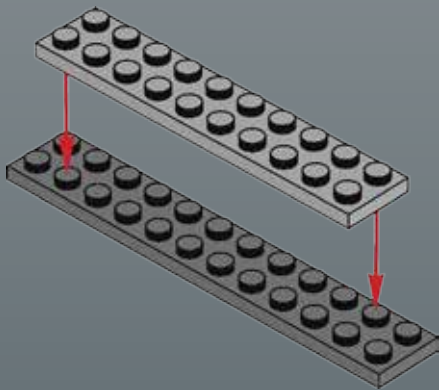


42

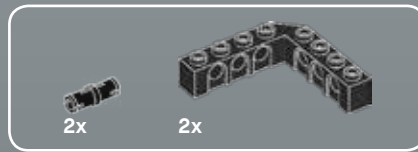
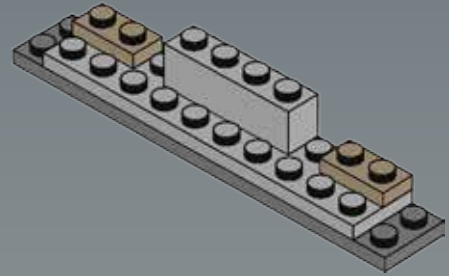




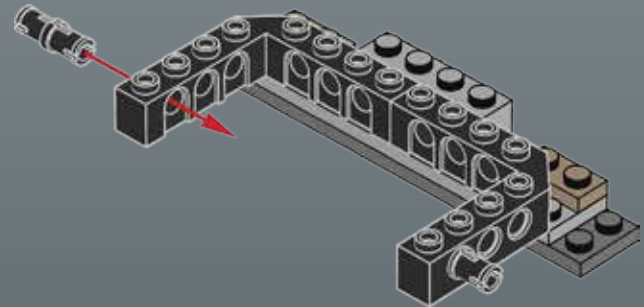
1

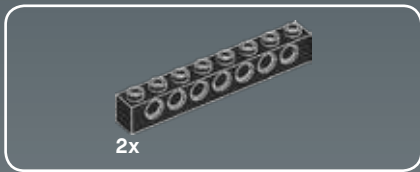


2

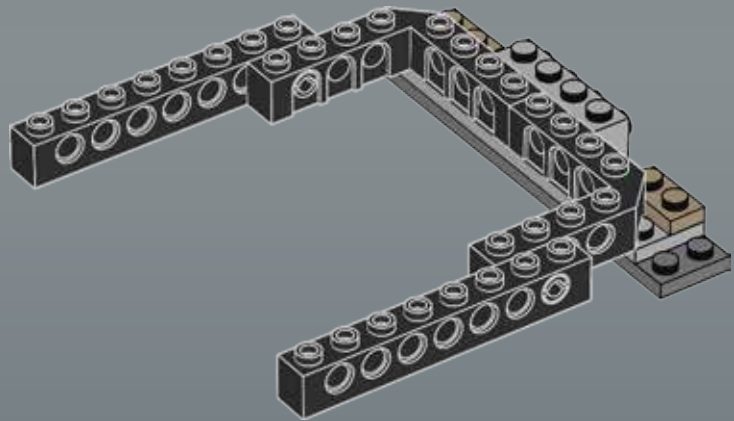


3

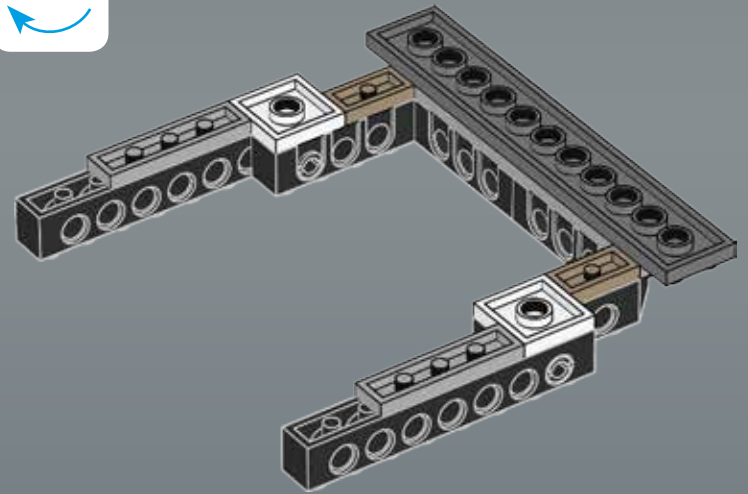




4

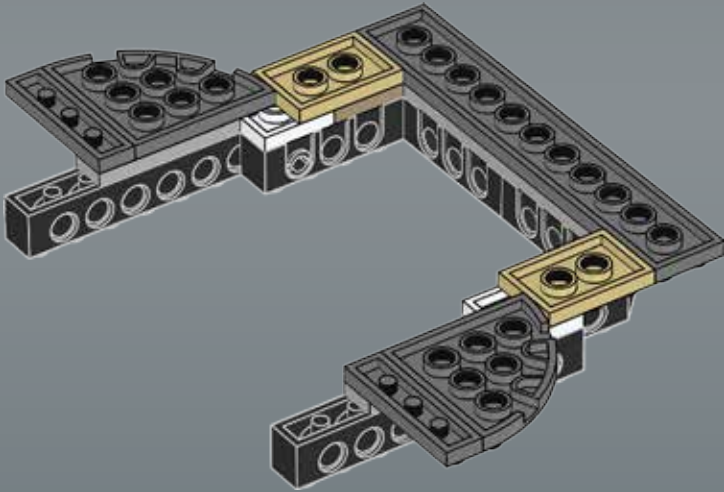


5

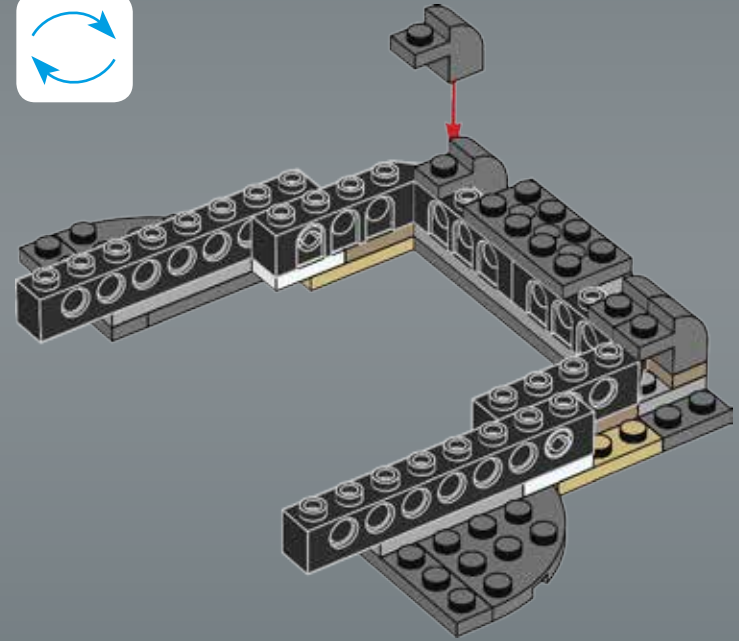




6

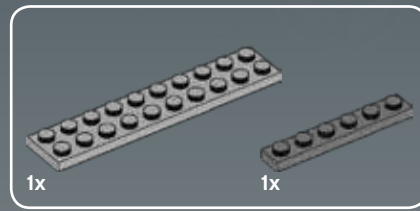
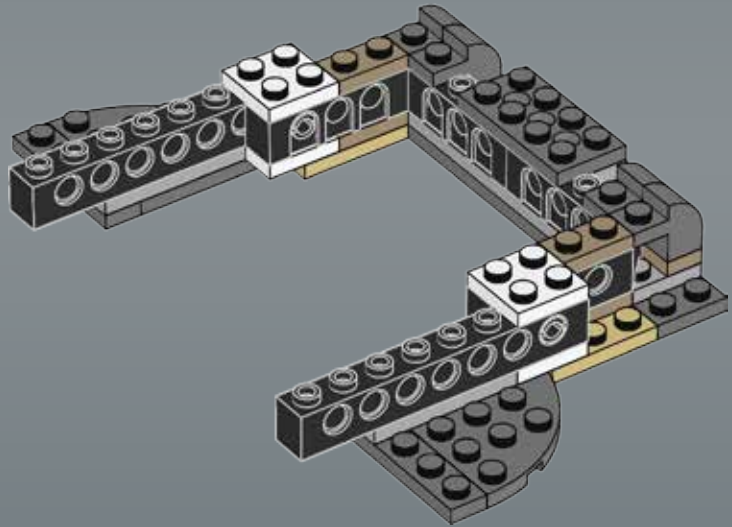


7

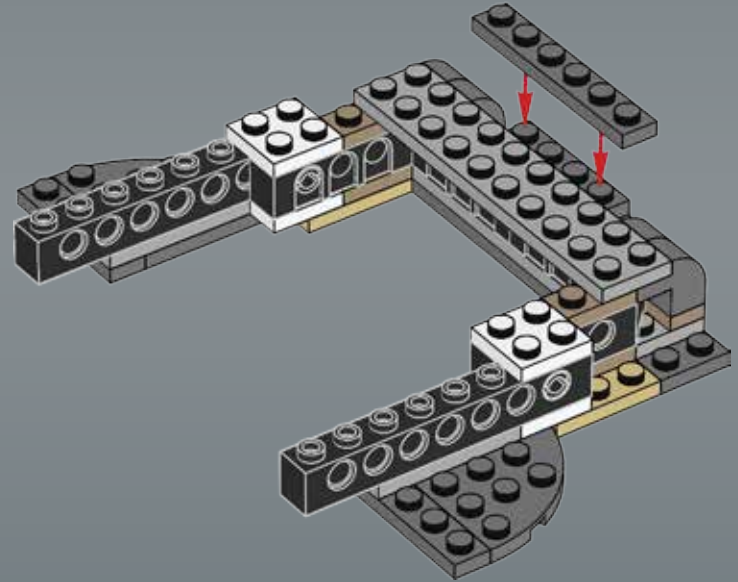


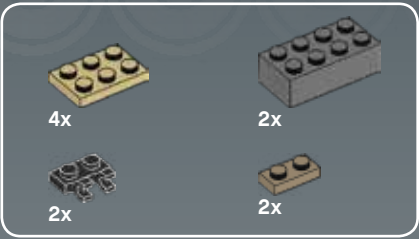


8

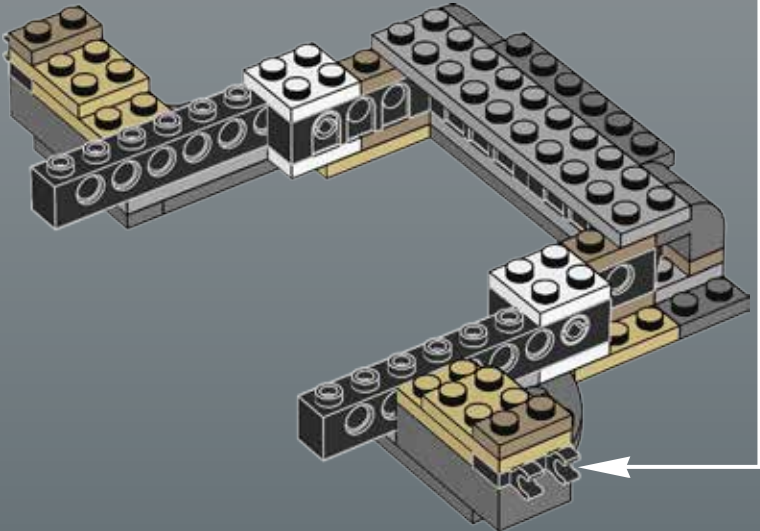
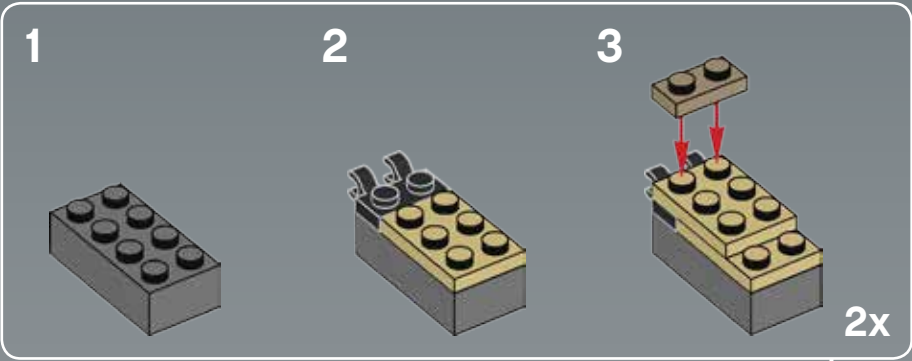


9

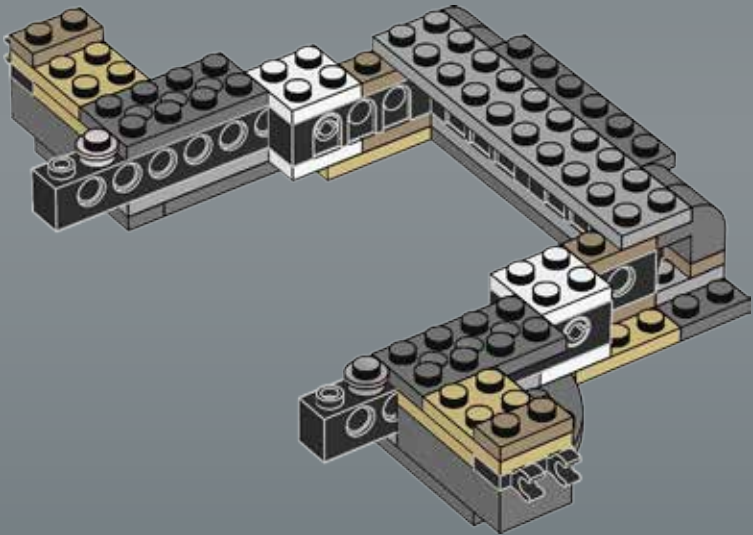




10

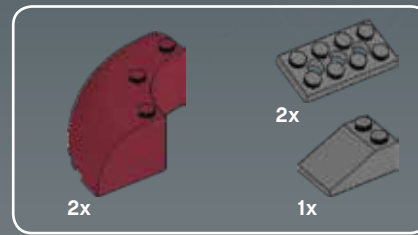
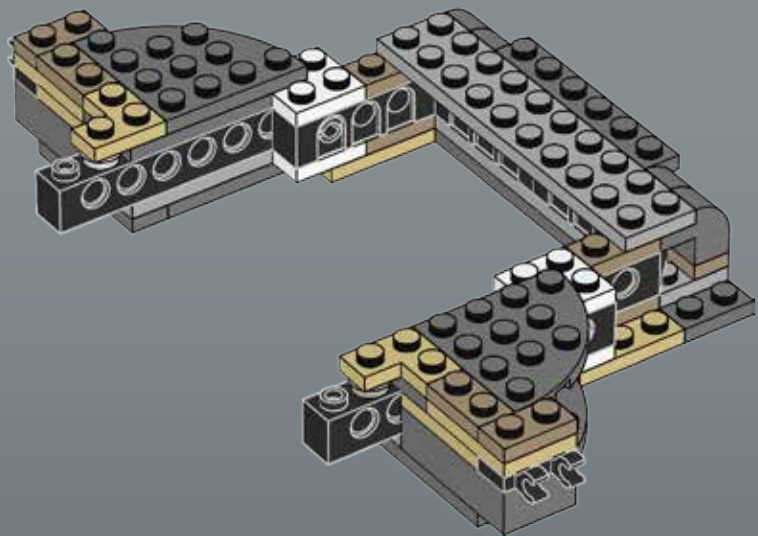


11

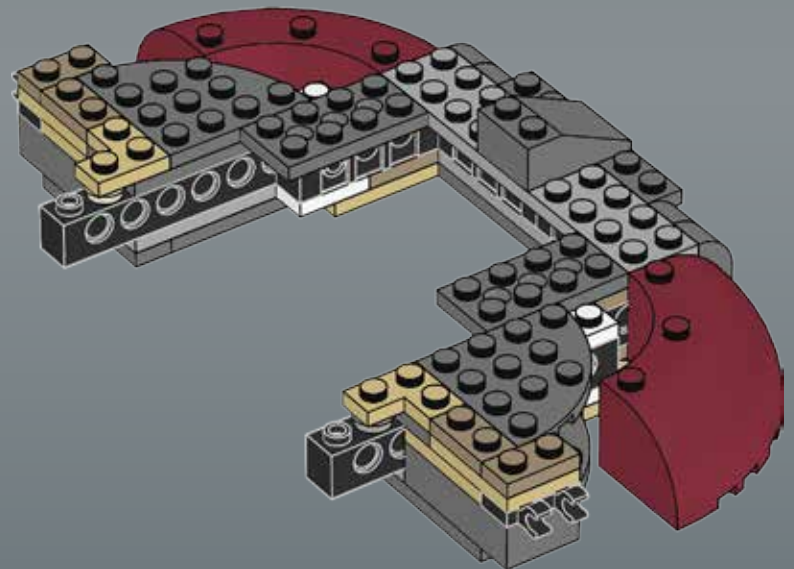


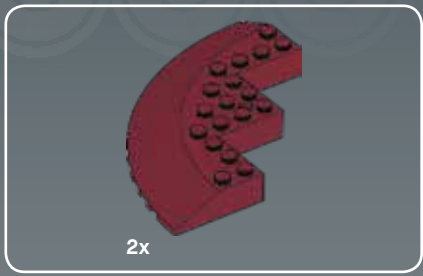


12

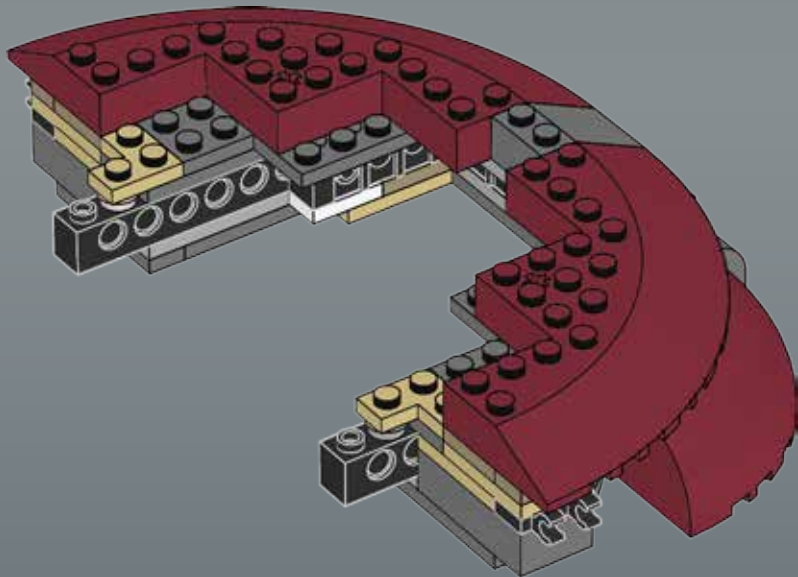


13

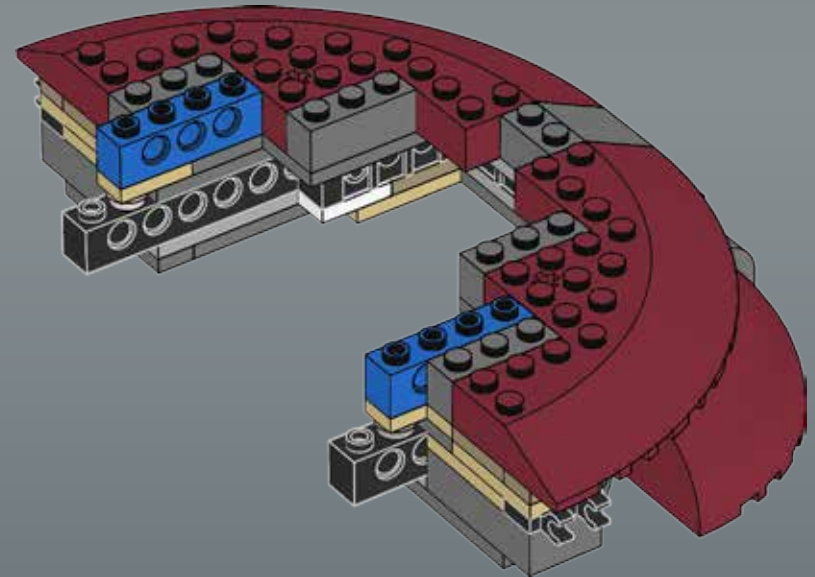


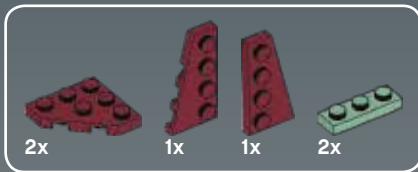


14

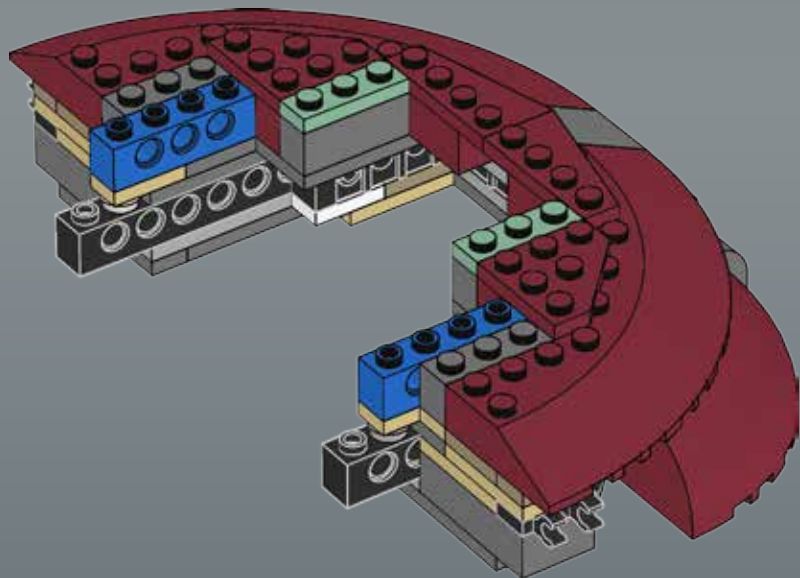


15

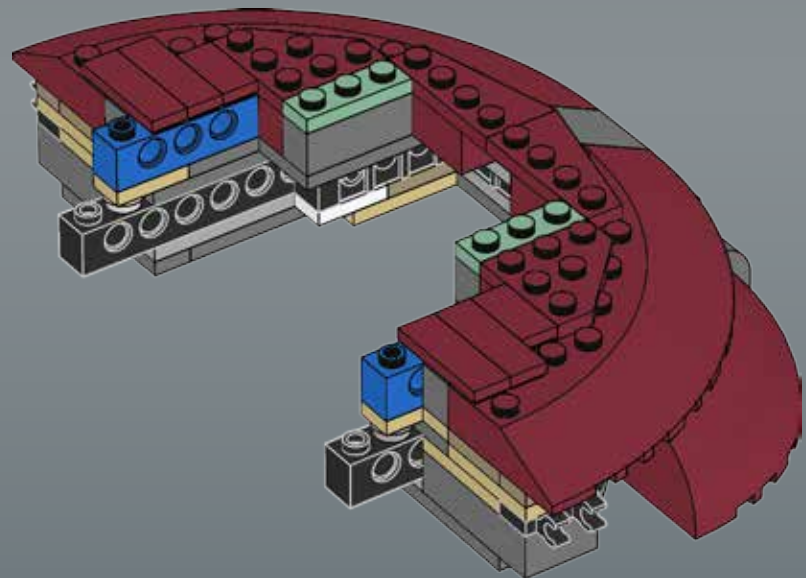




16

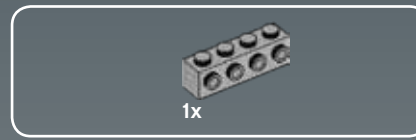
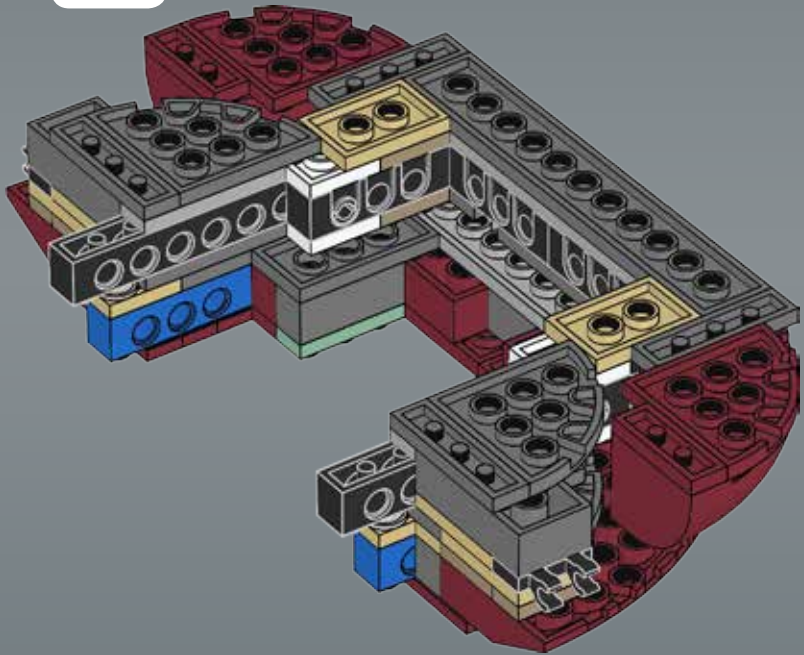


17

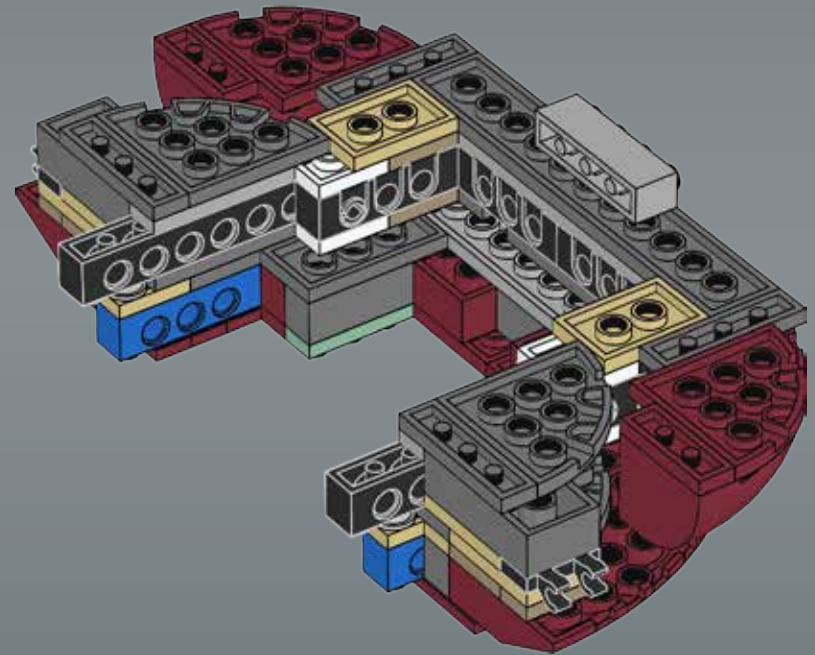


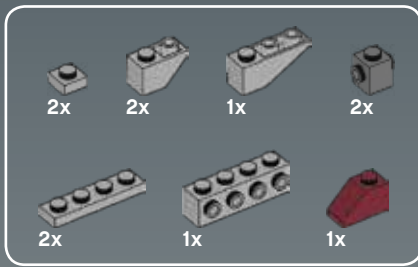


18



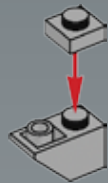
19



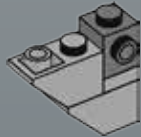


20

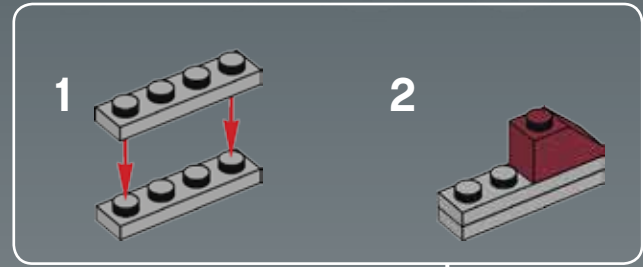
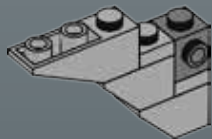
1



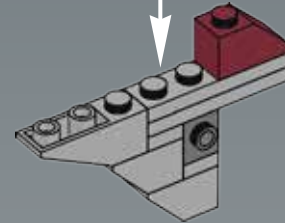
2



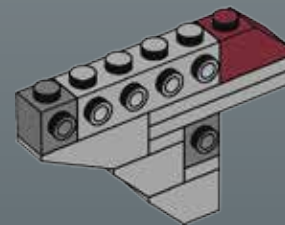
3

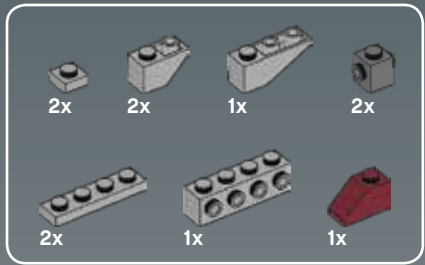


4



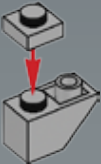
5



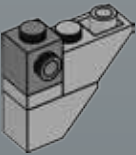


21

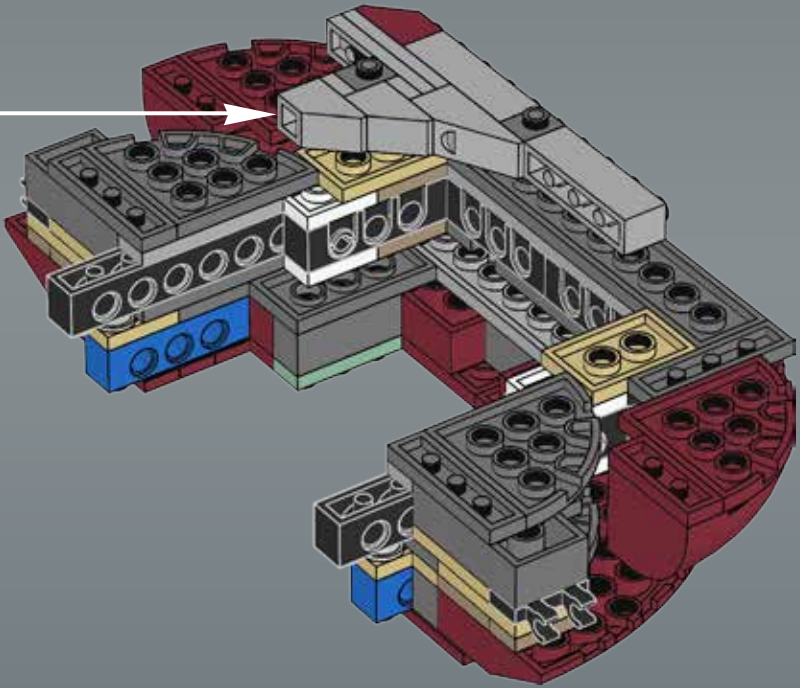
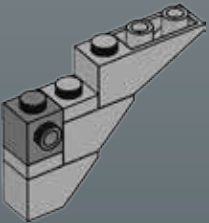
1

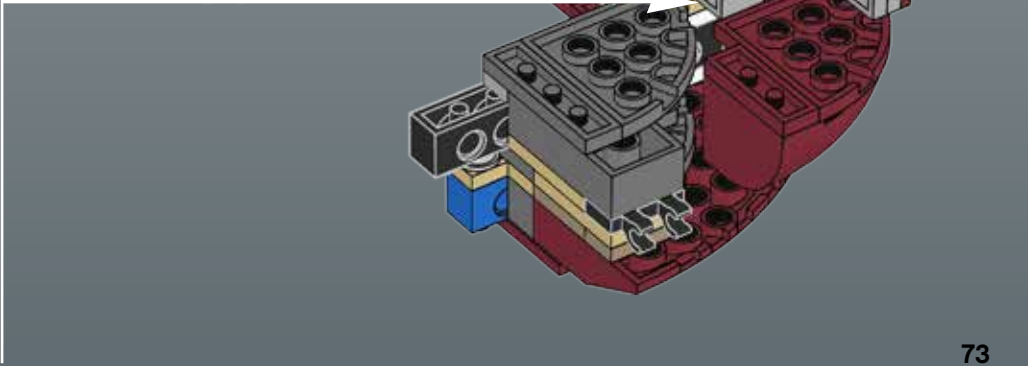
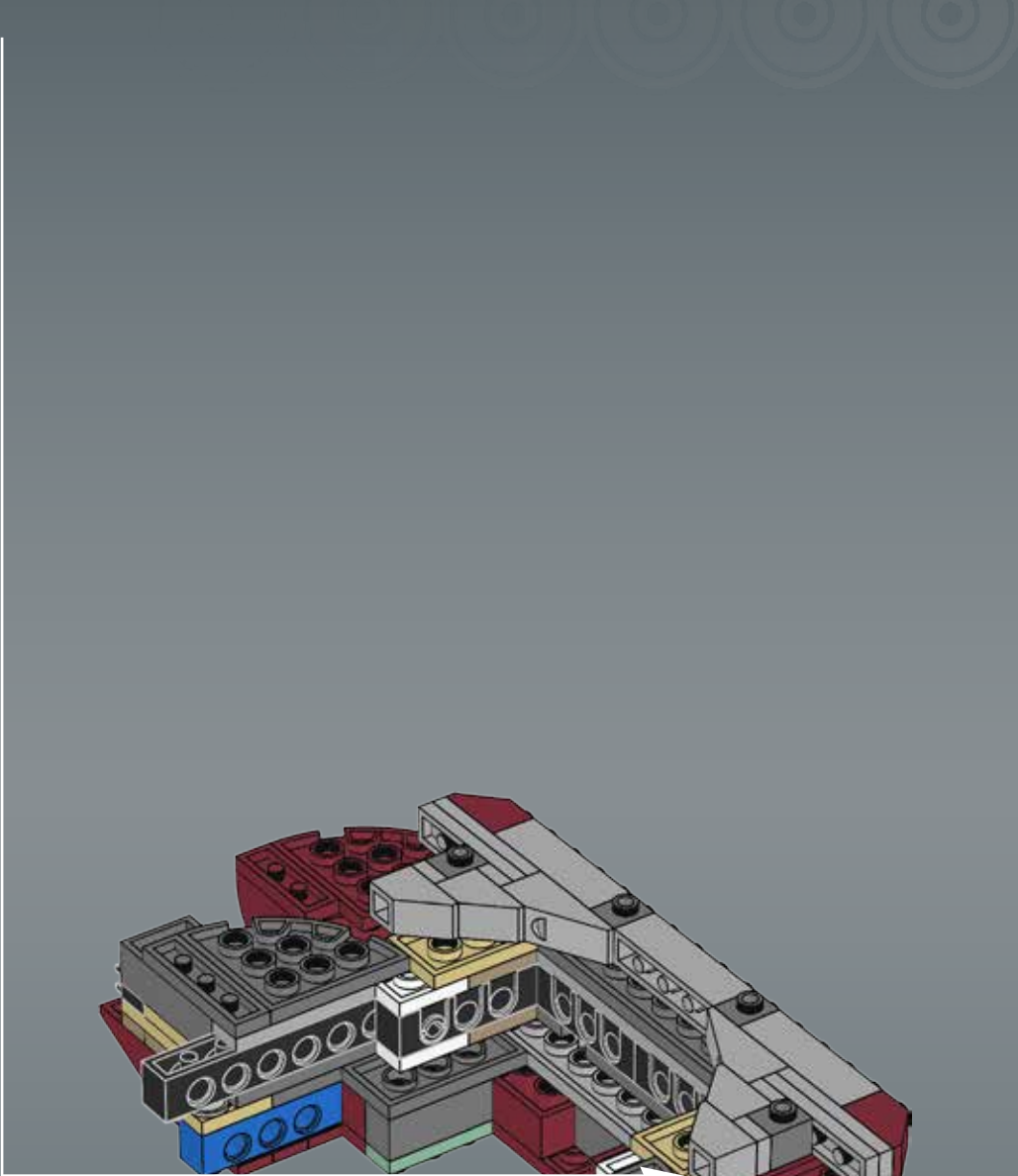
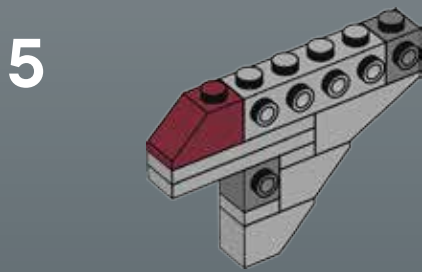
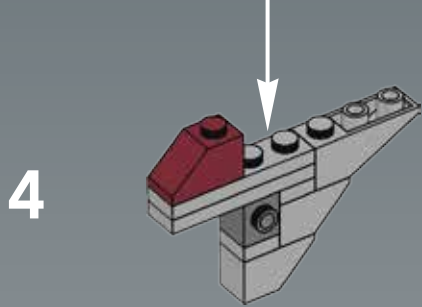
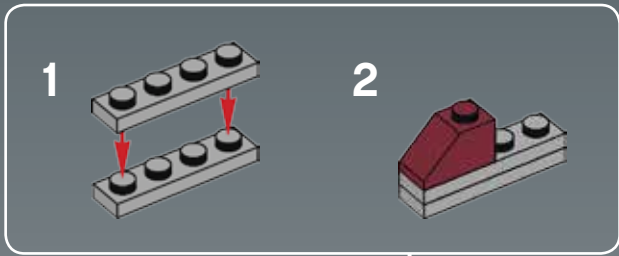


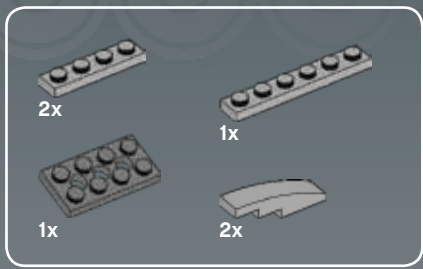
2



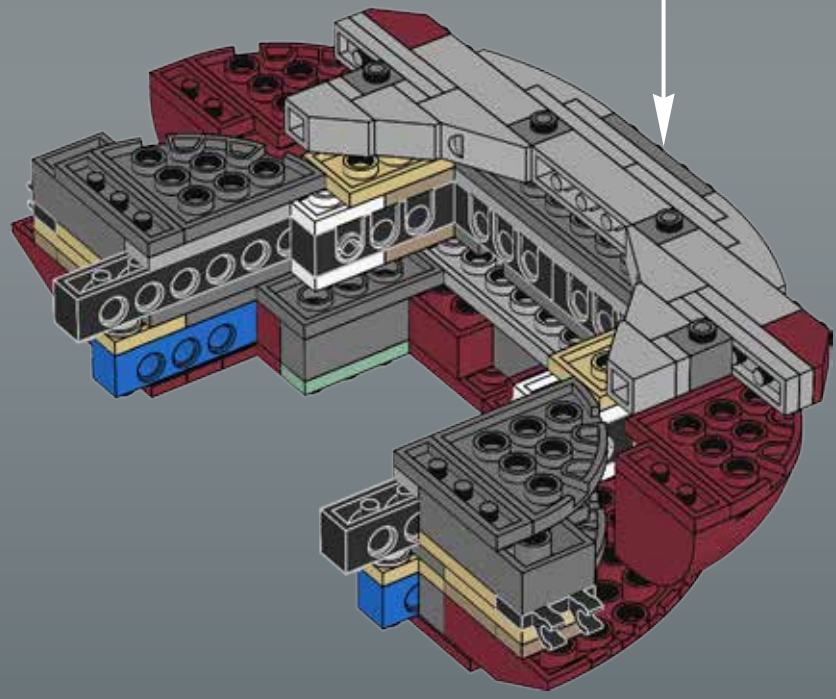
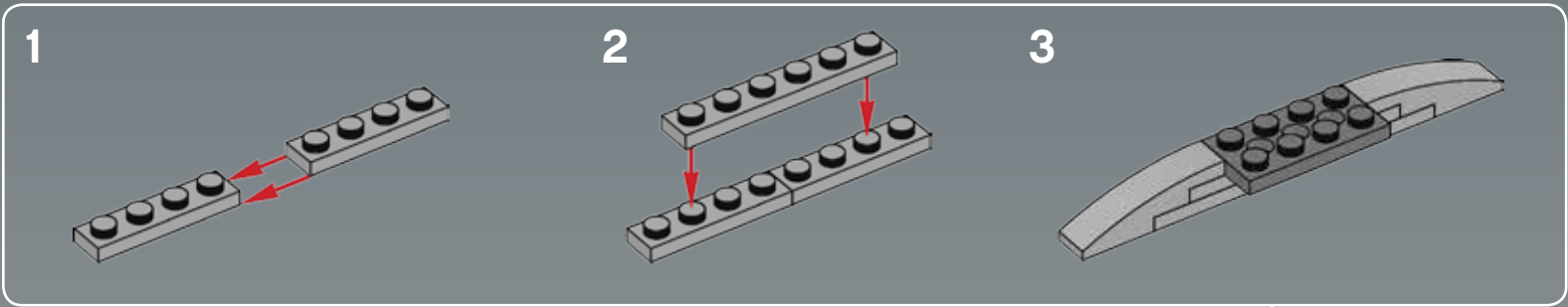
3

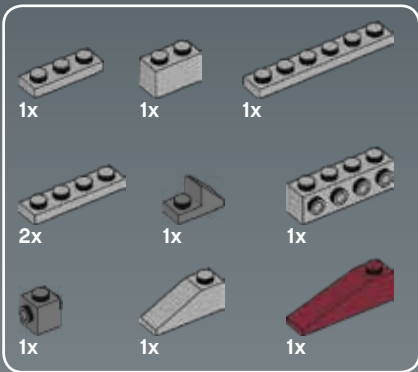




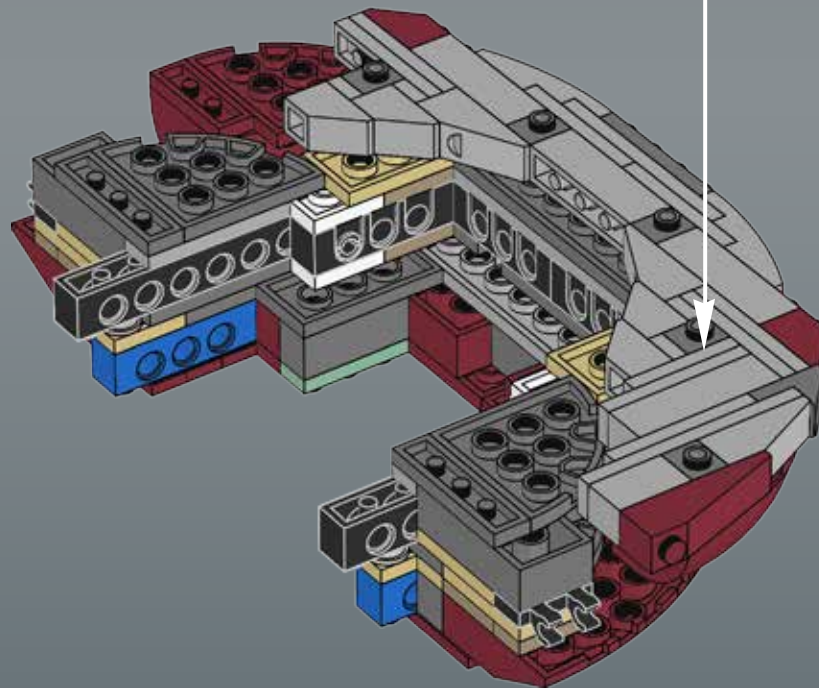
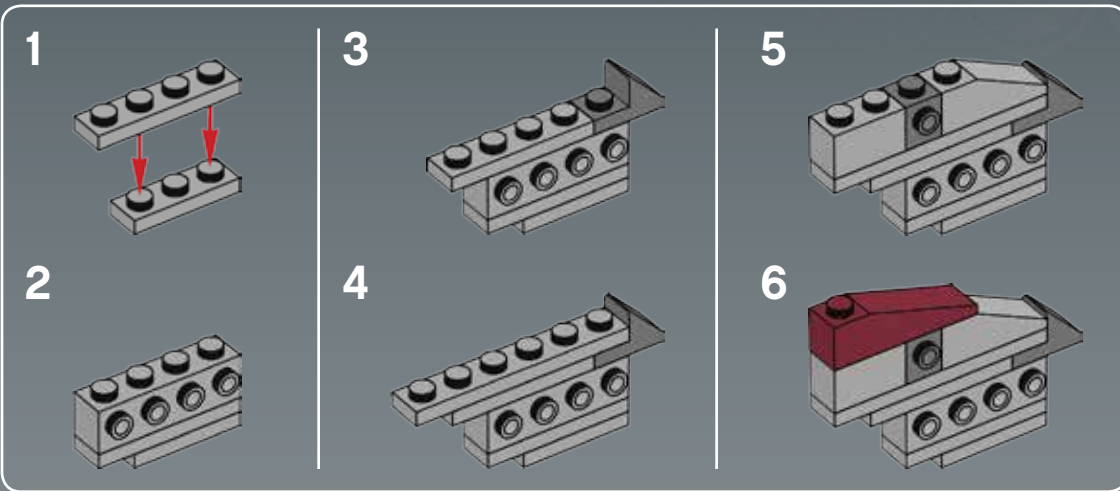


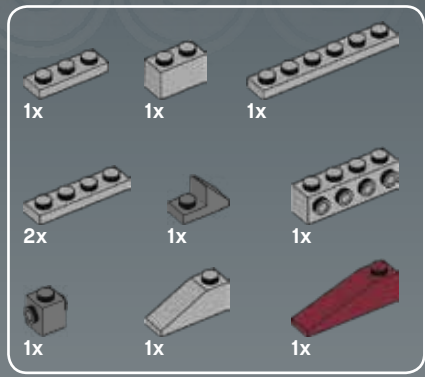
22



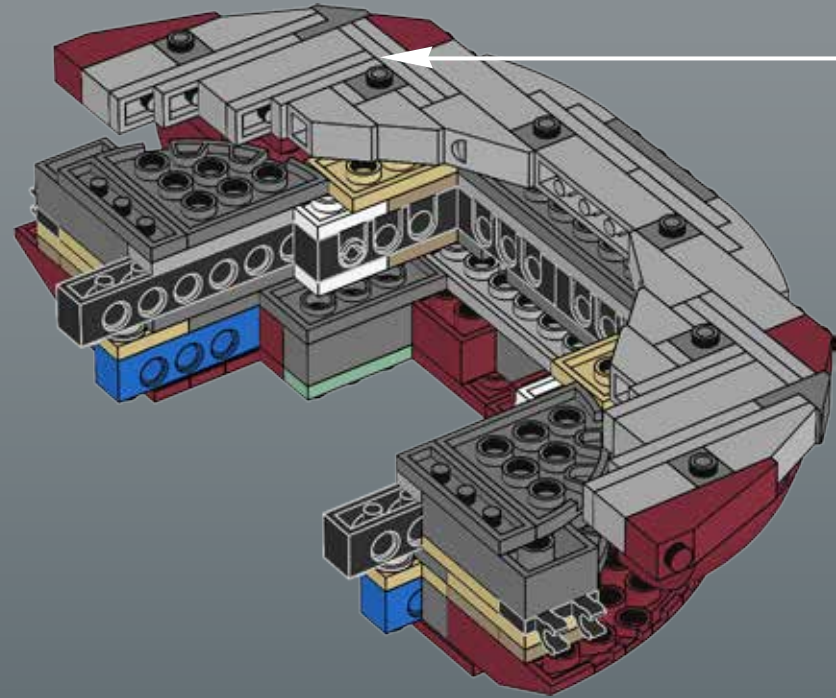
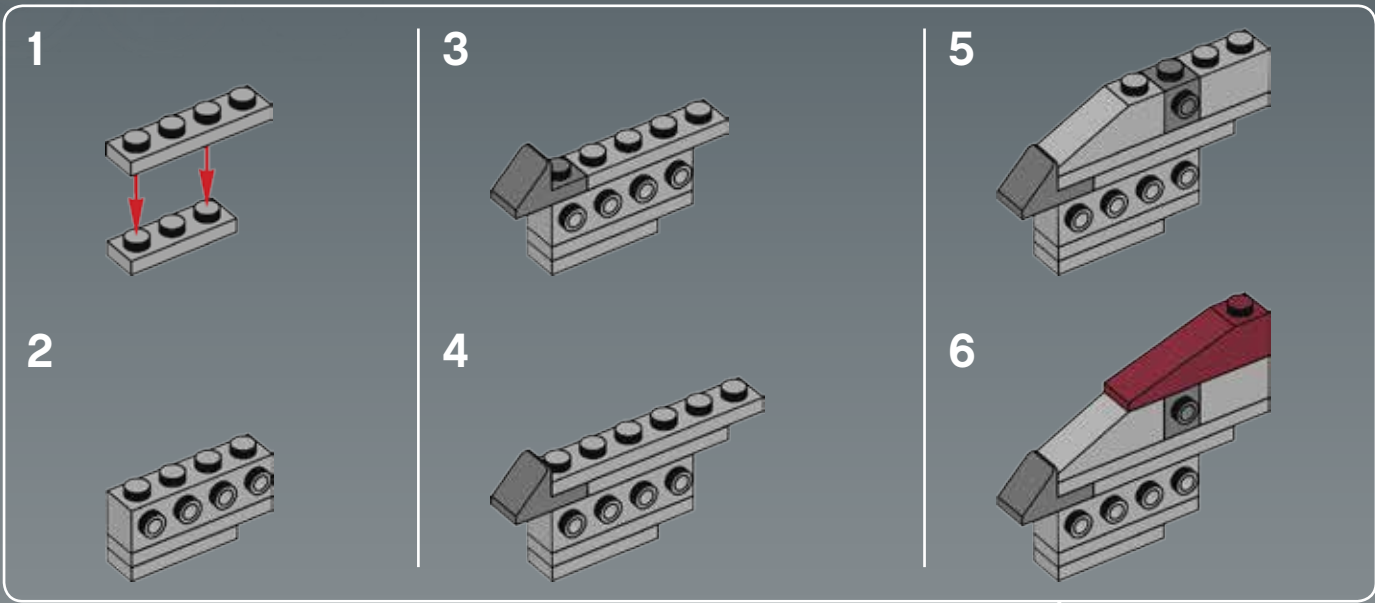


23



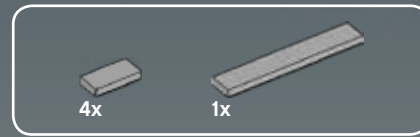
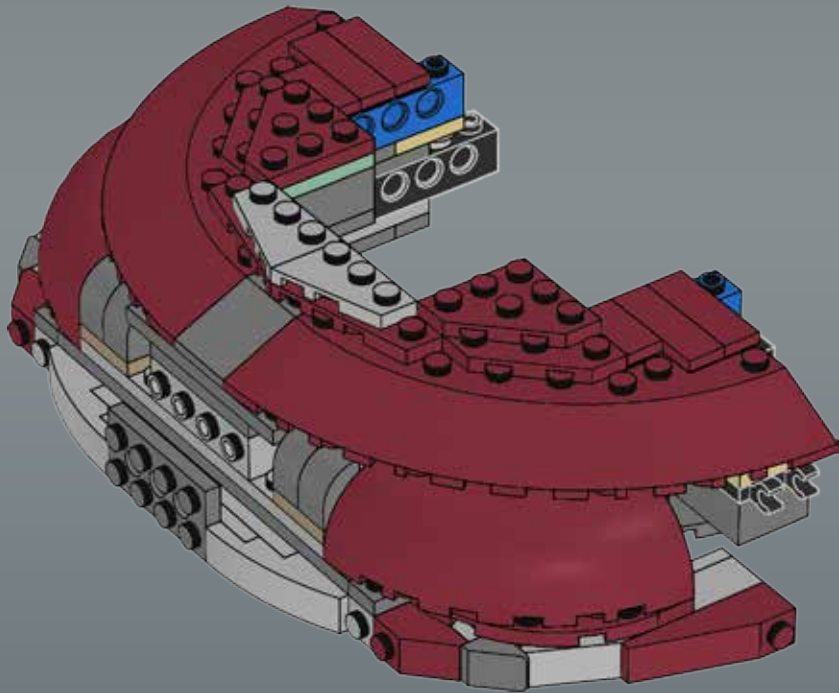


24

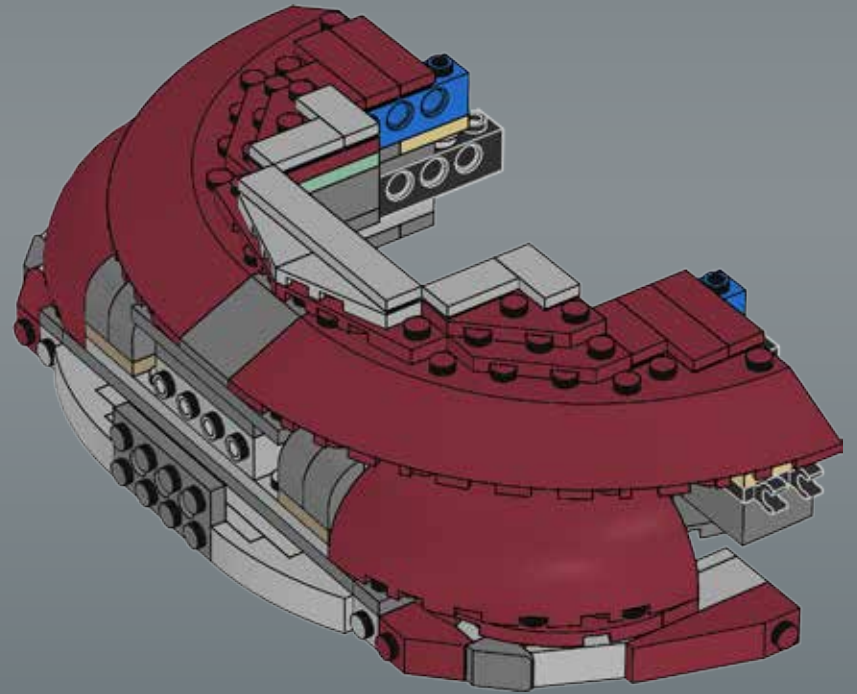


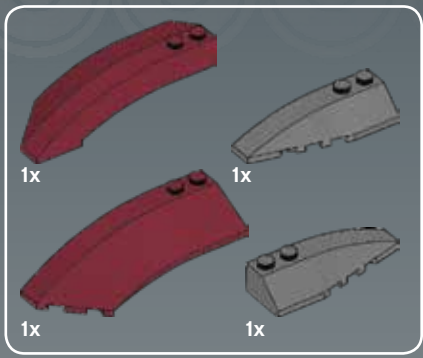


25

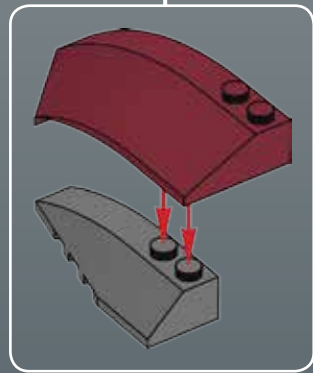
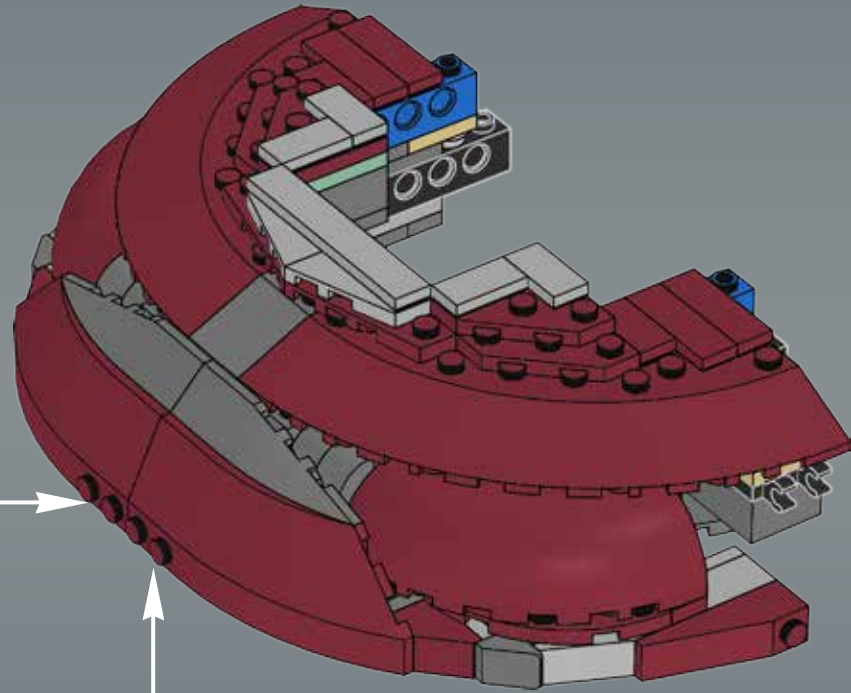
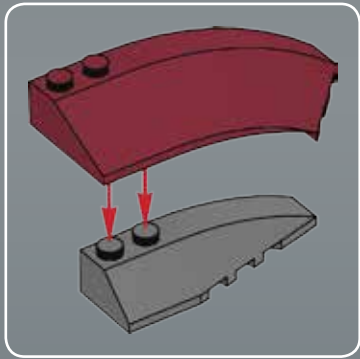


26

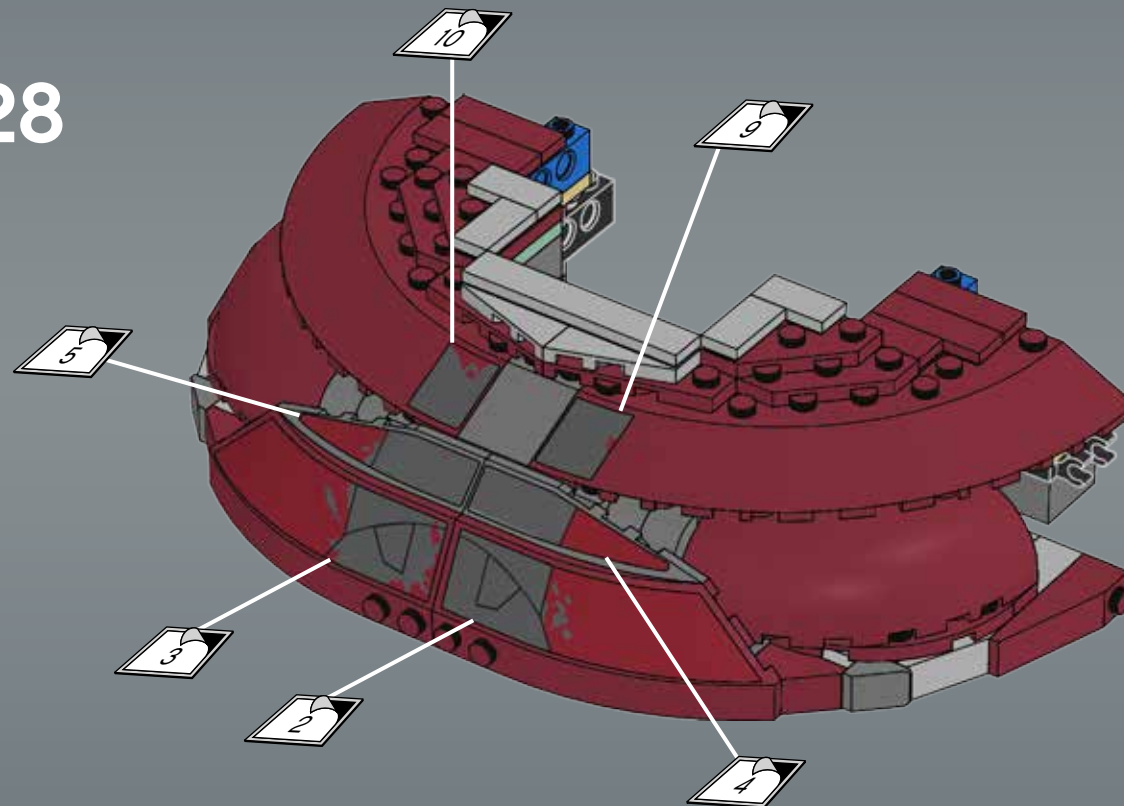


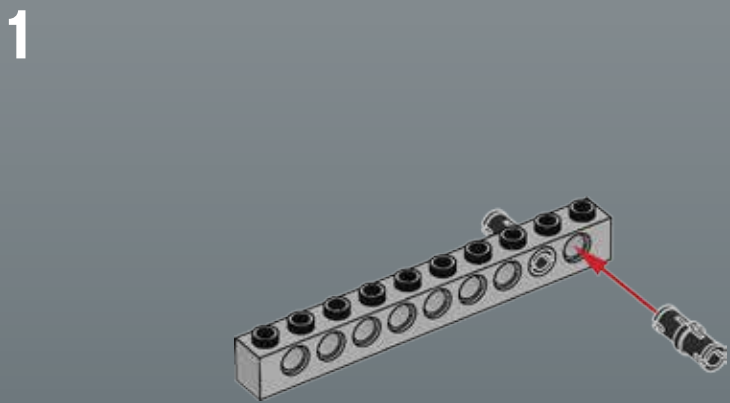
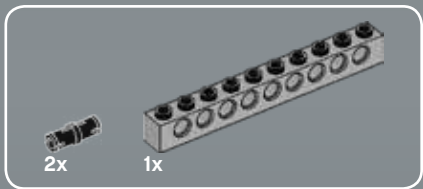
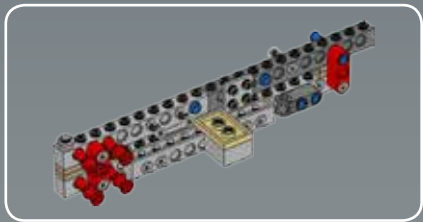
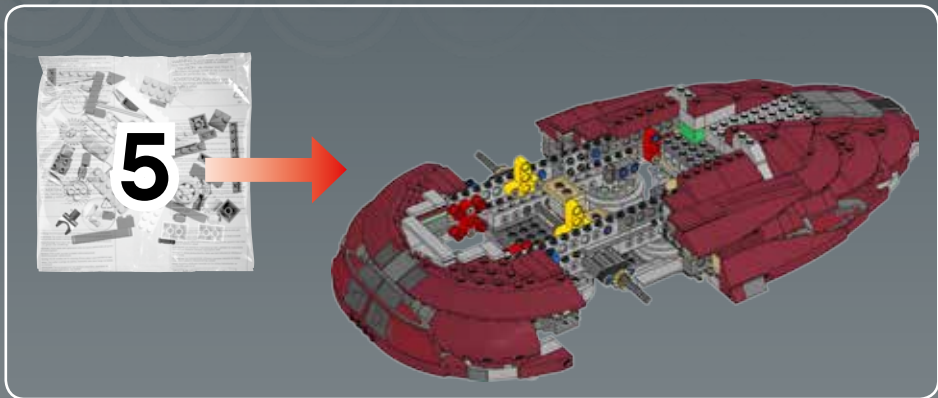


27

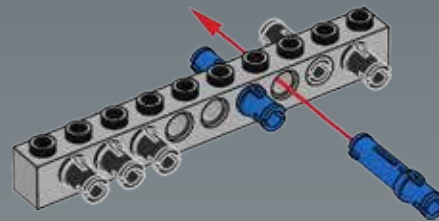


28

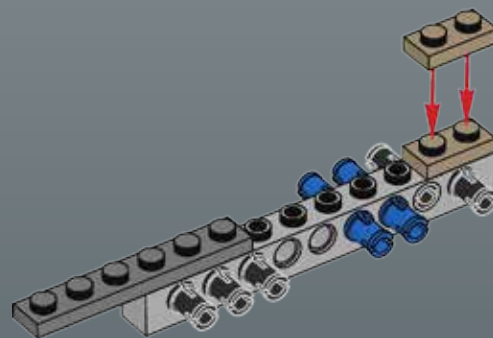


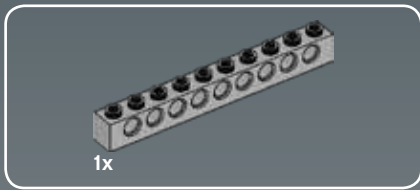


2

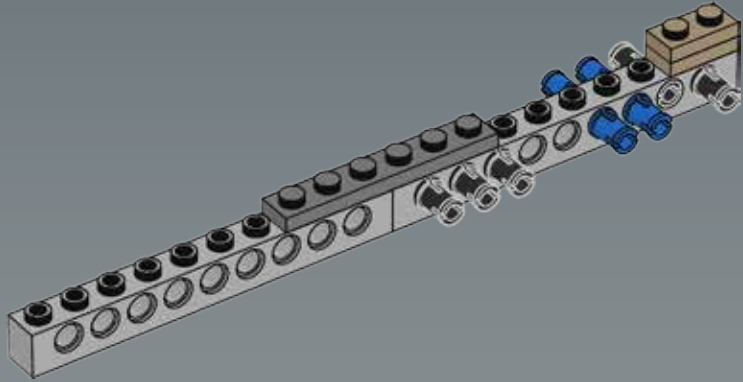


3

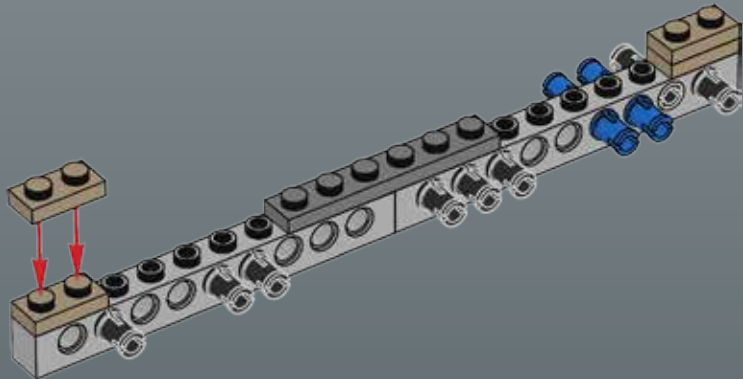




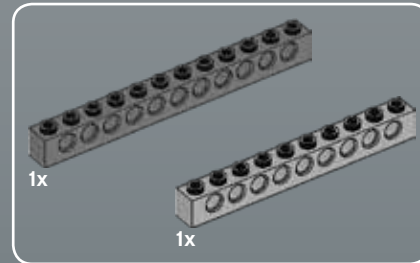
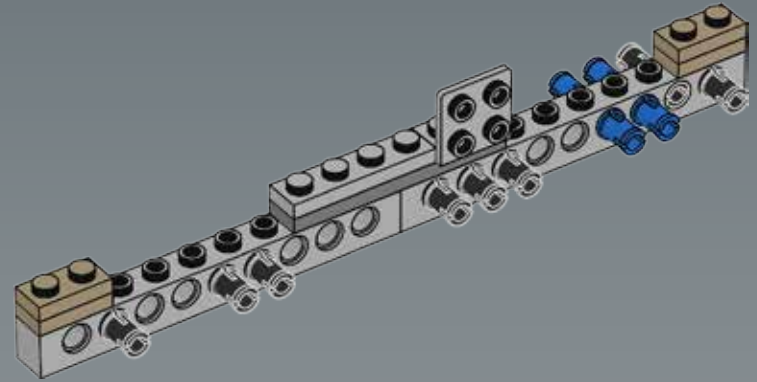
4



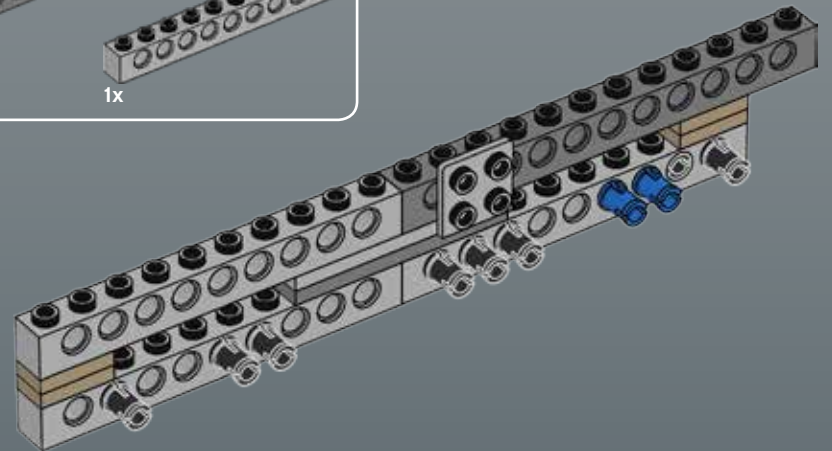
5

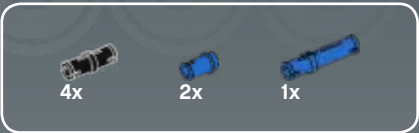


6

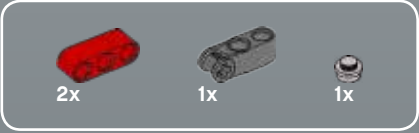
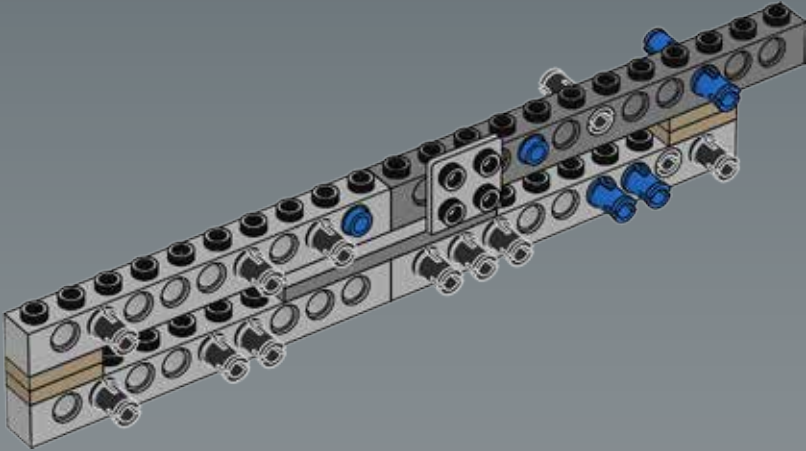


7

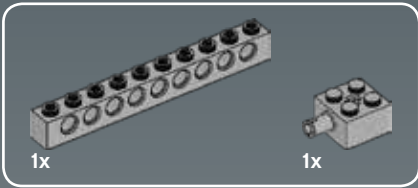
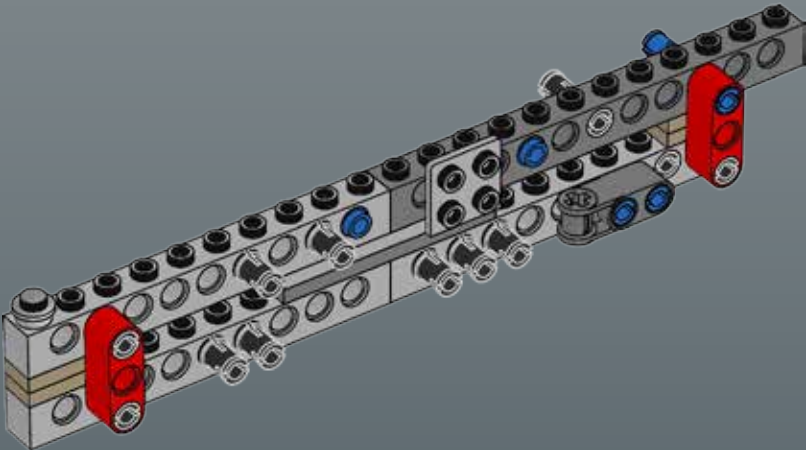




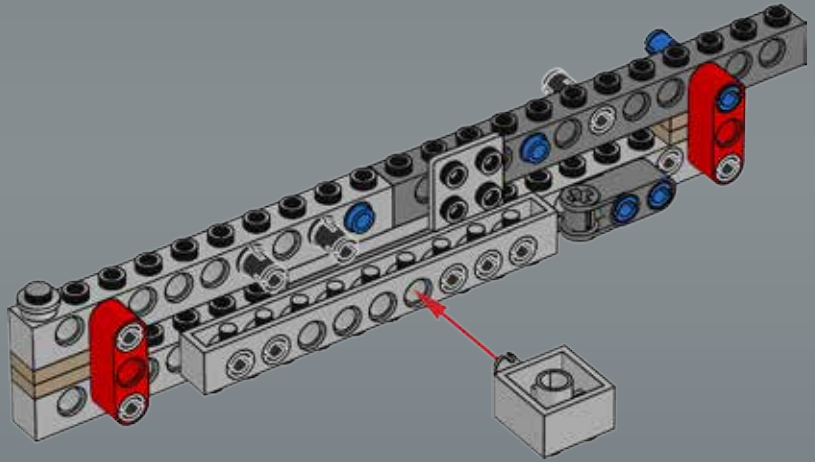
8



9

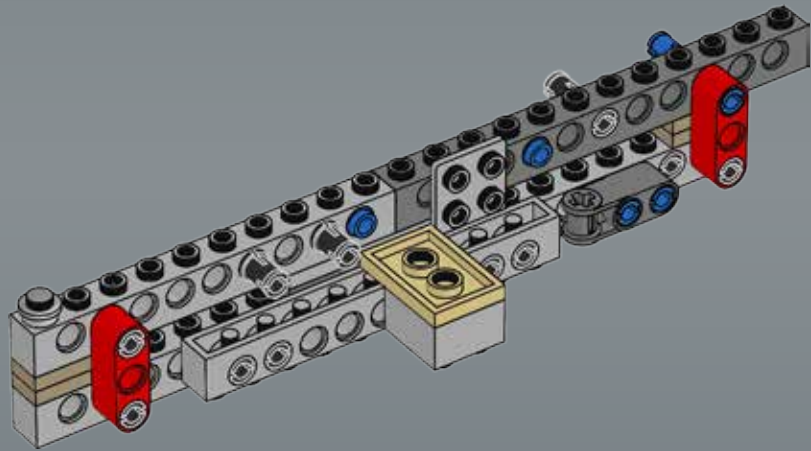


10

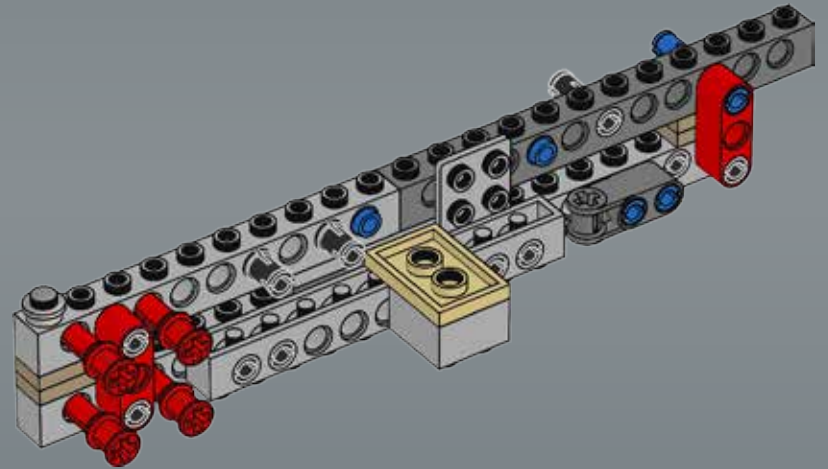




11

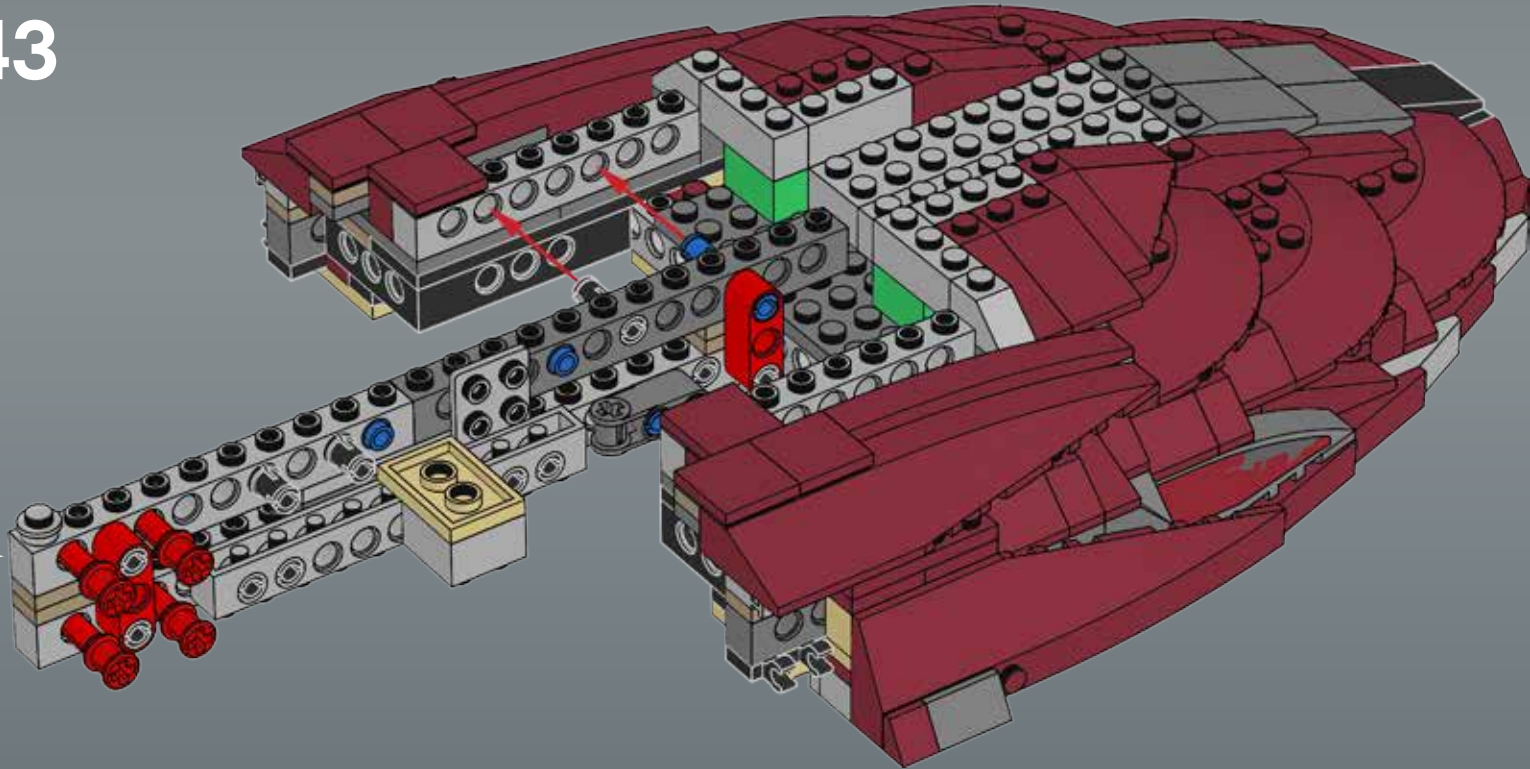


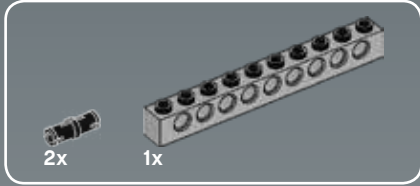
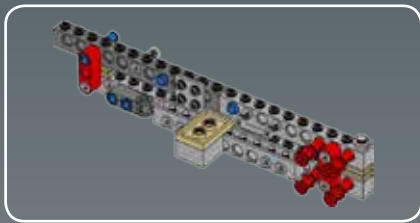
12



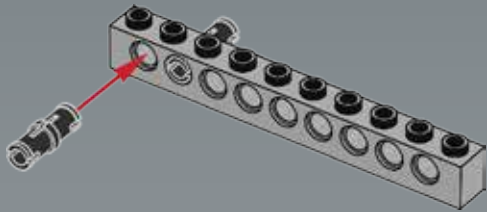


43

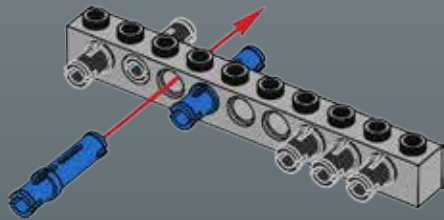




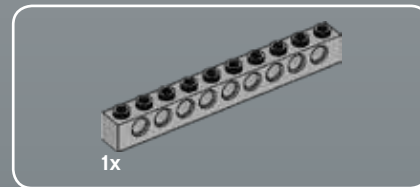
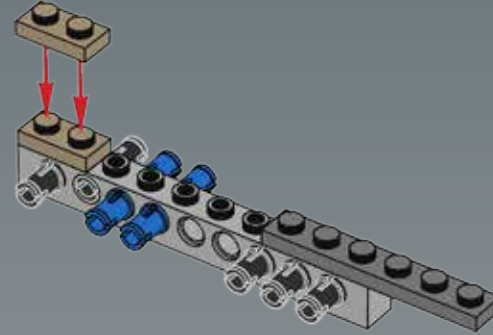
1



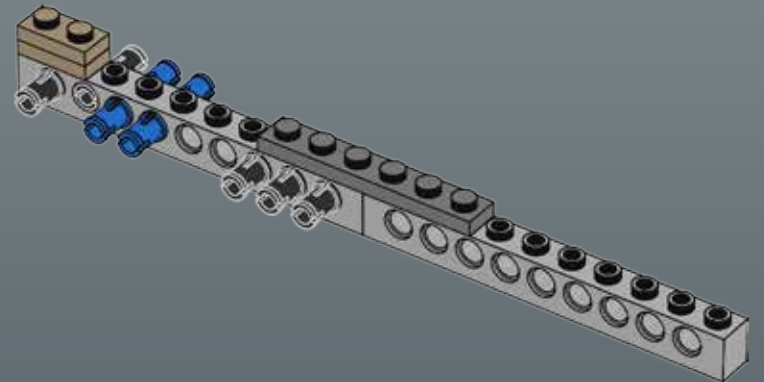
2



3

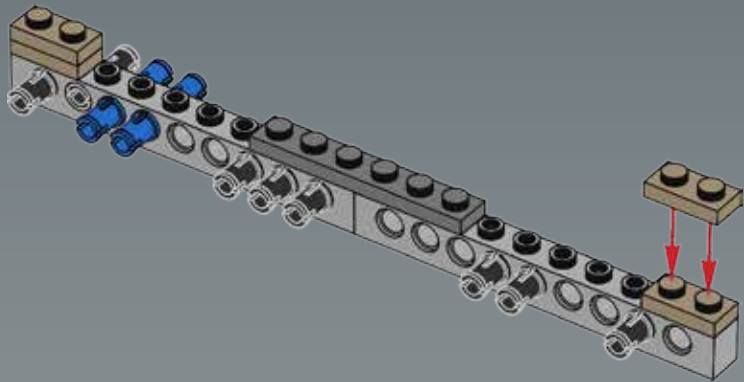


4

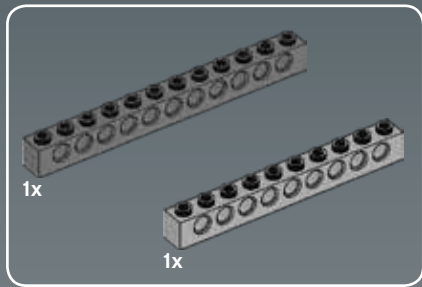
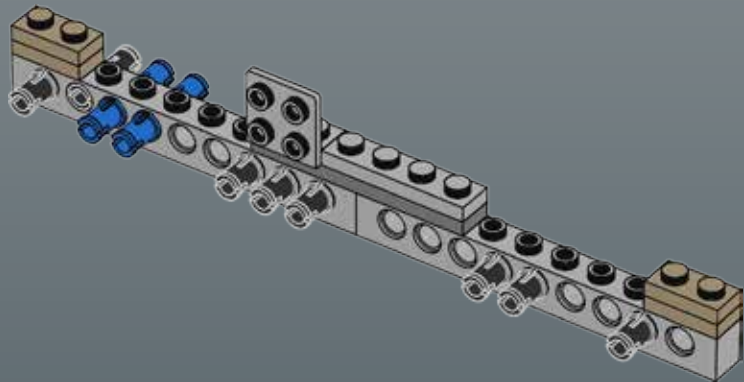




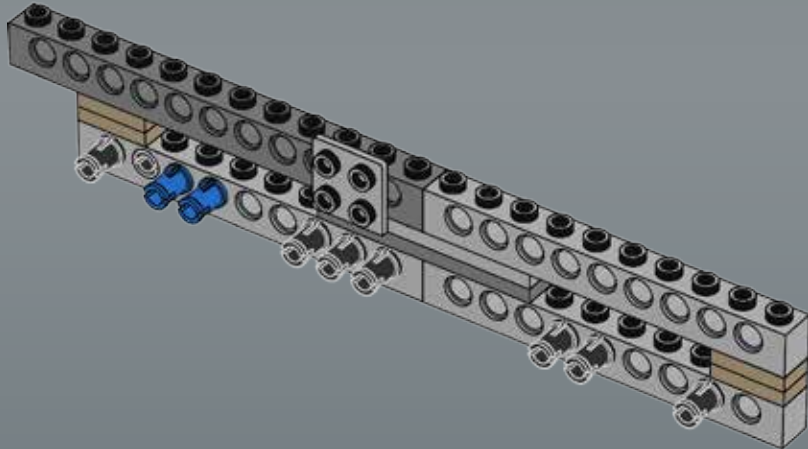
5

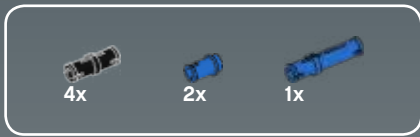


6

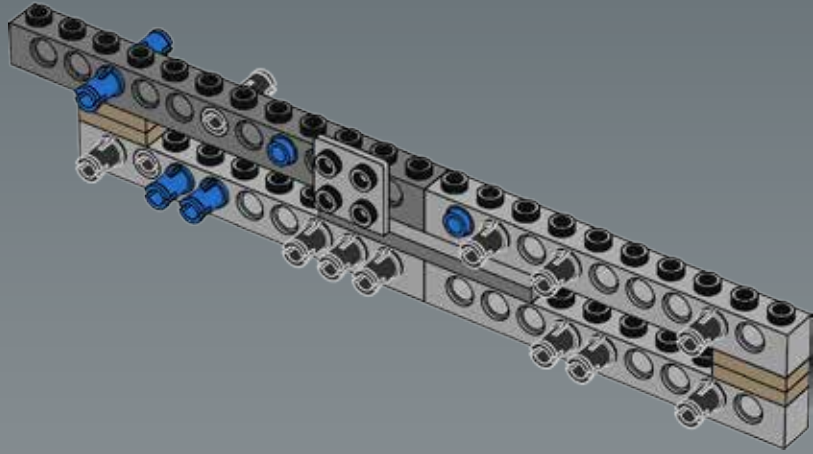


7

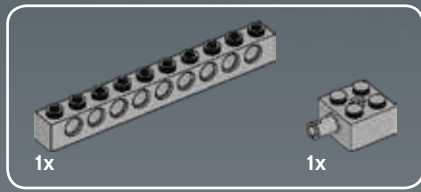
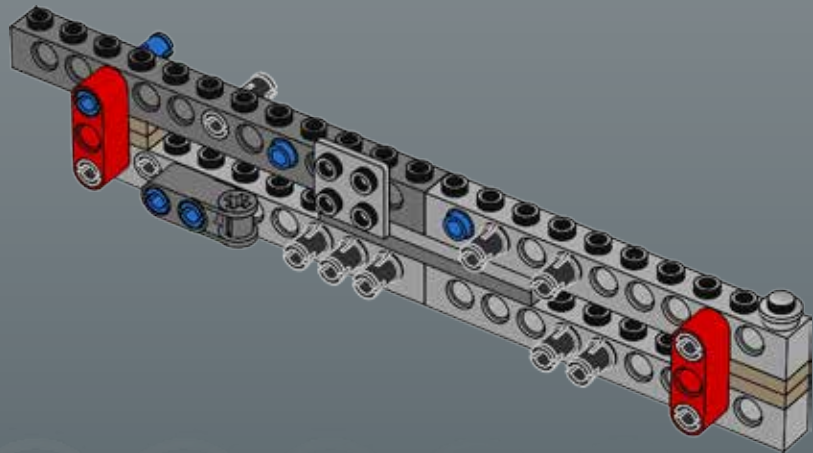




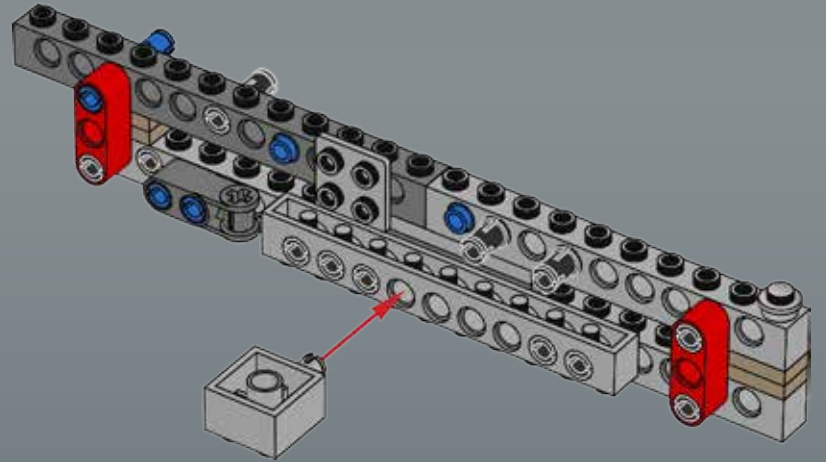
8



9

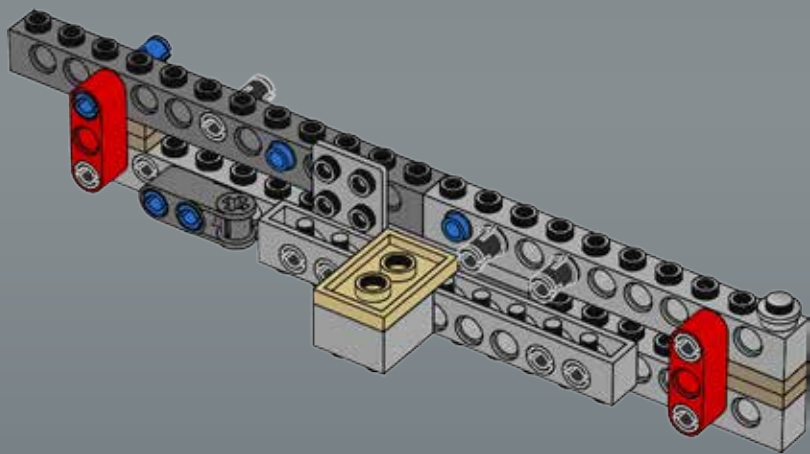


10

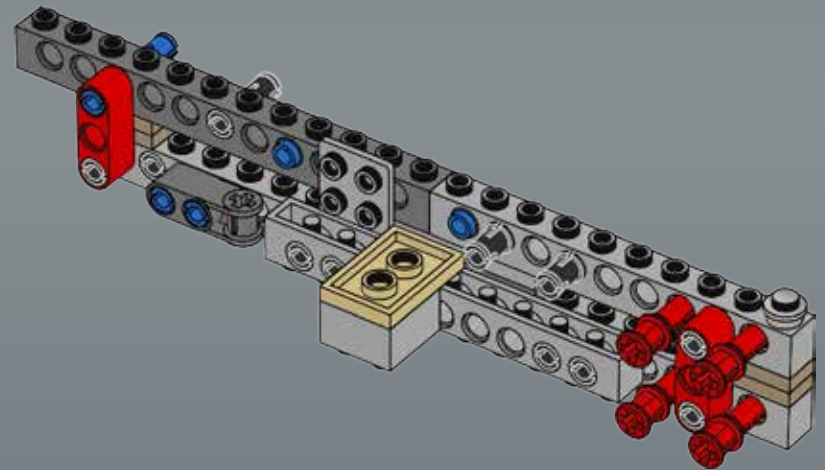




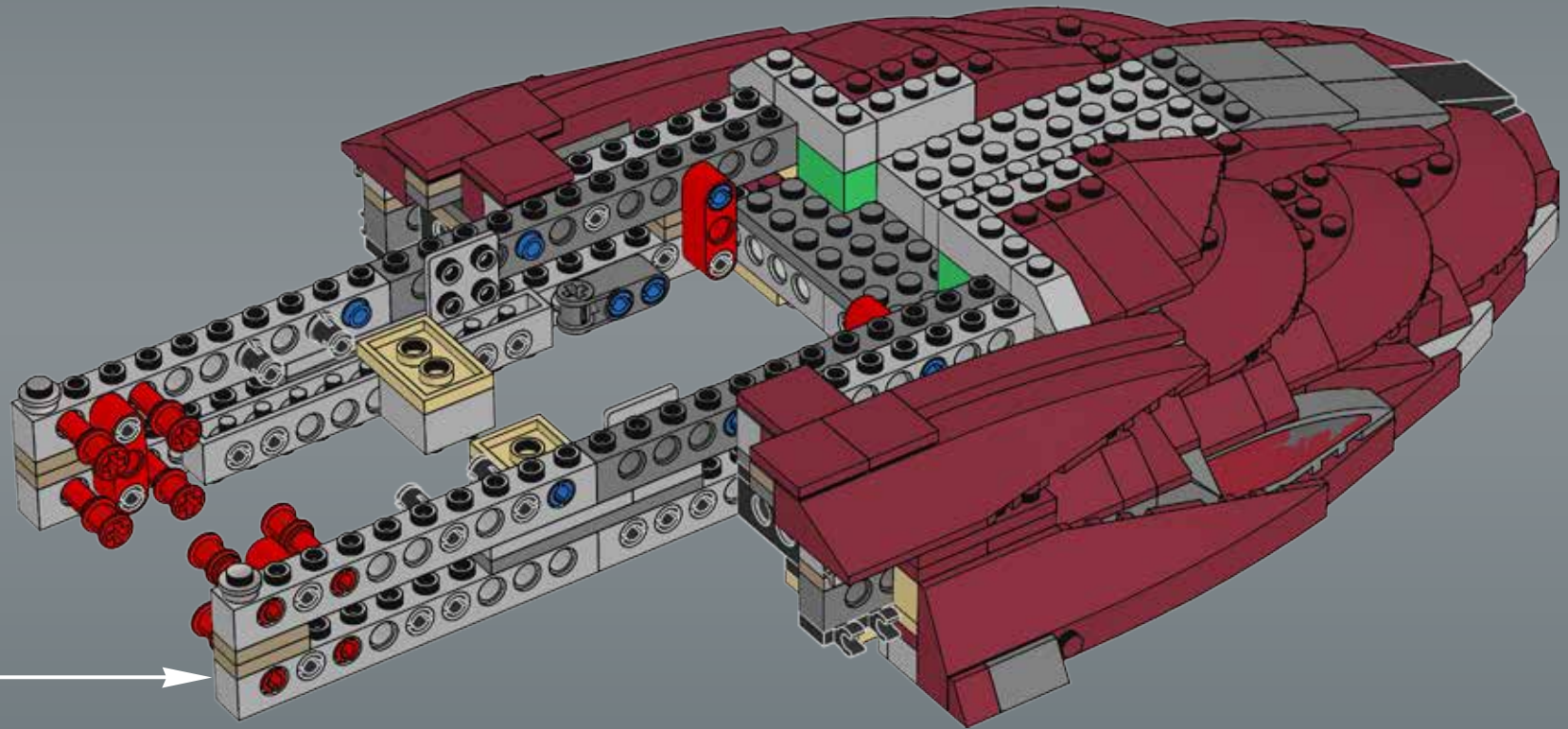
11



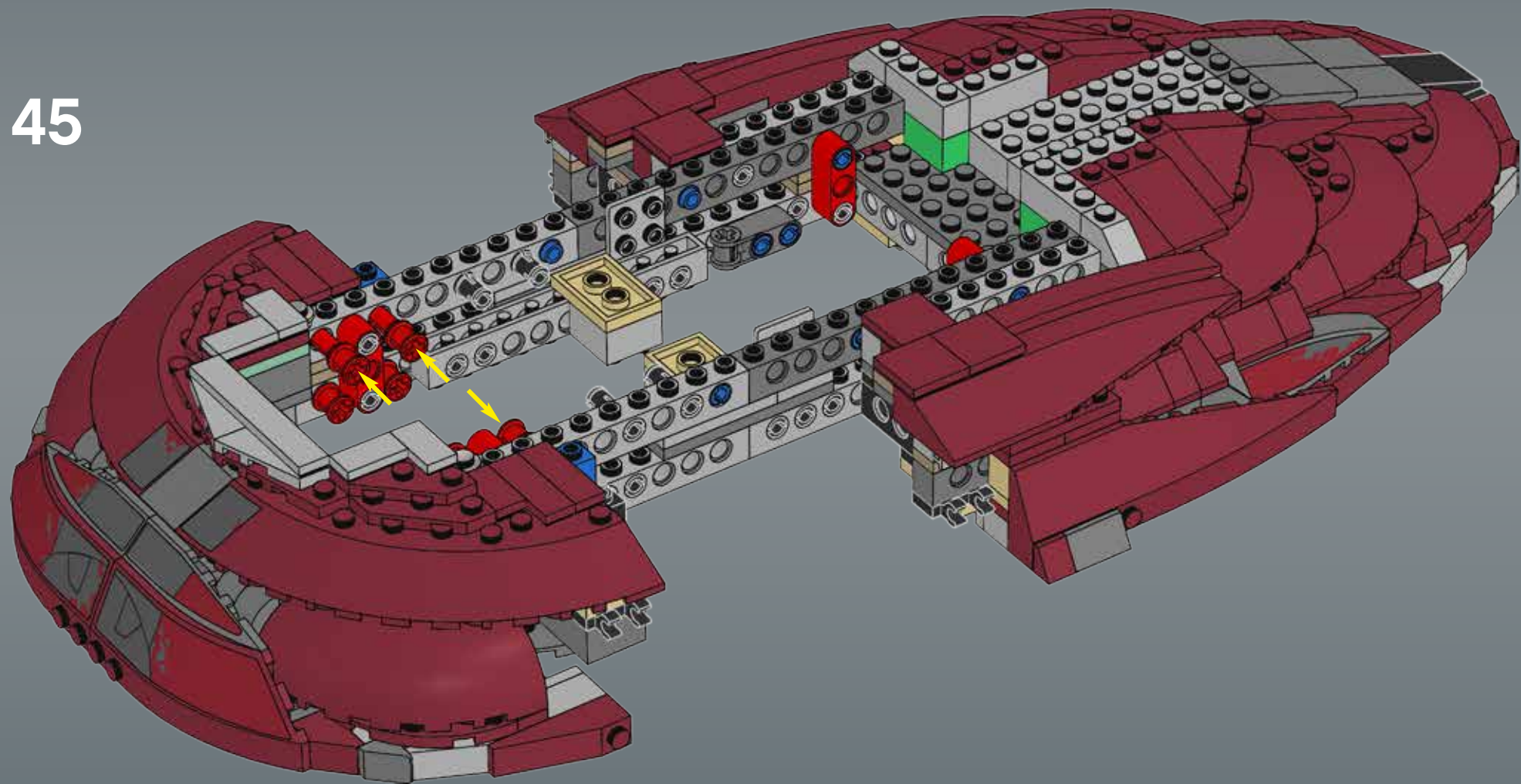
12



44



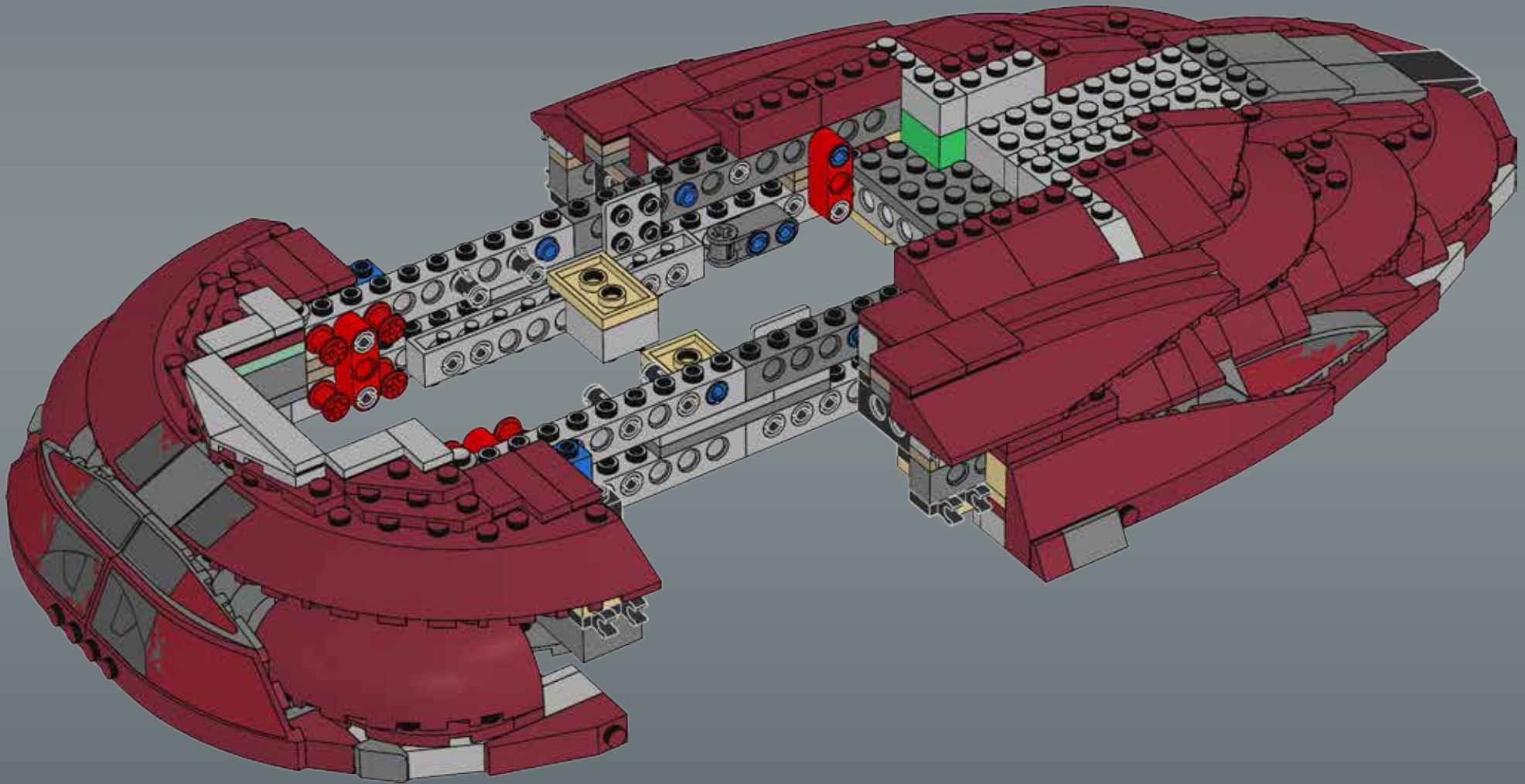
45

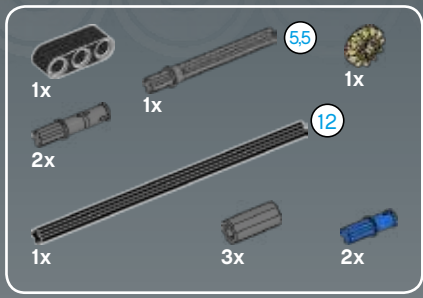




4x

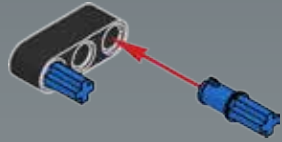
46



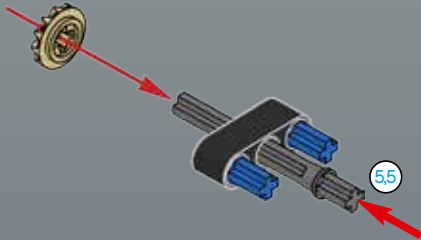


47

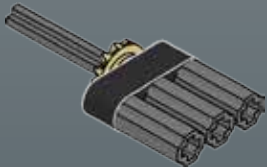
1



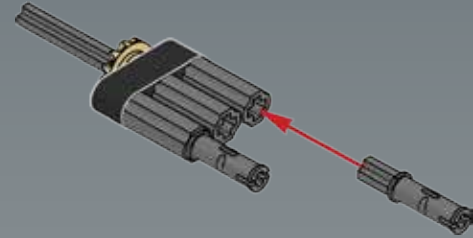
2



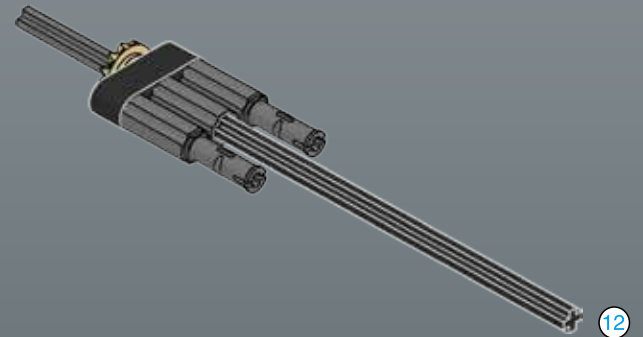
3

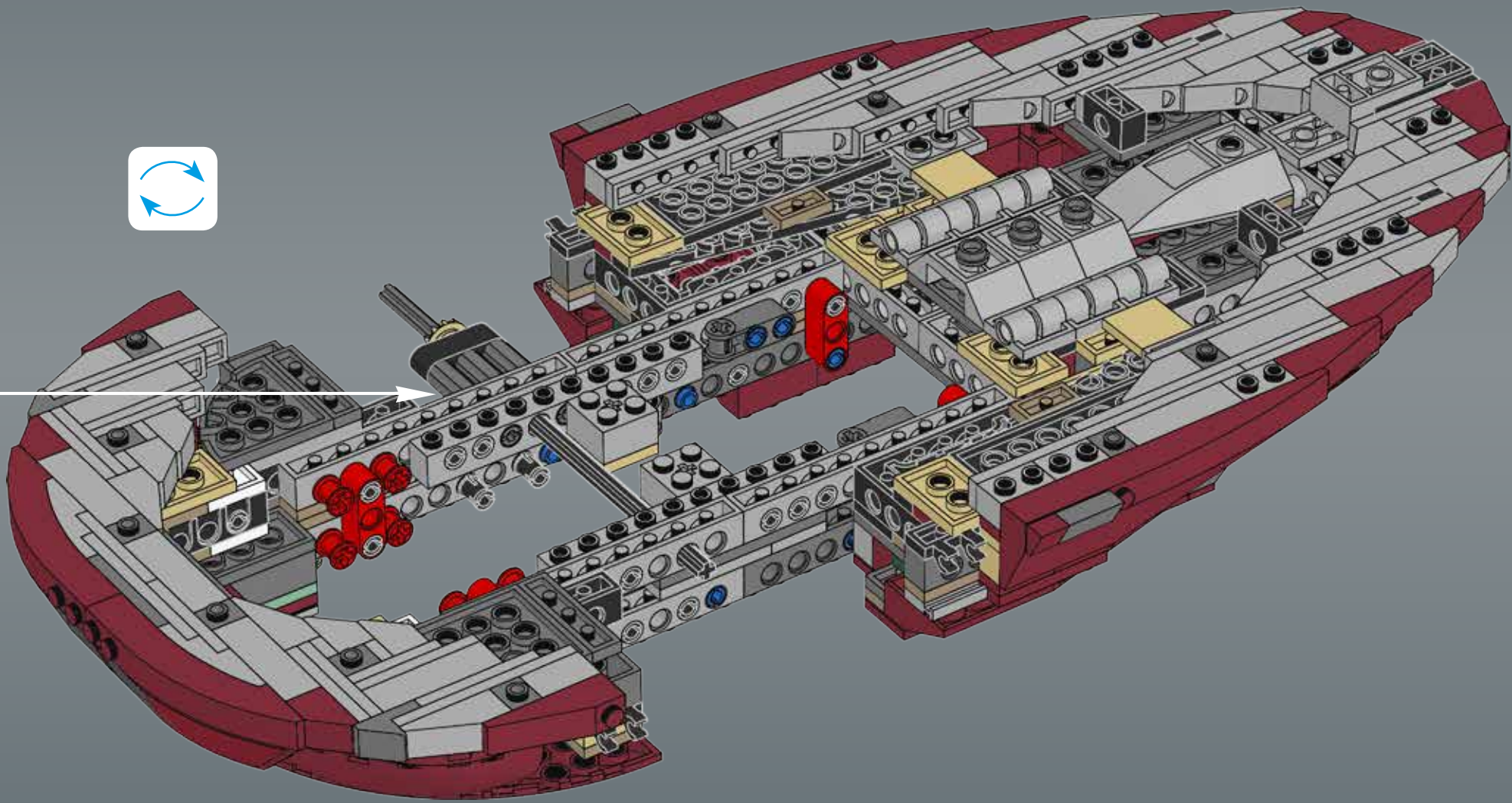


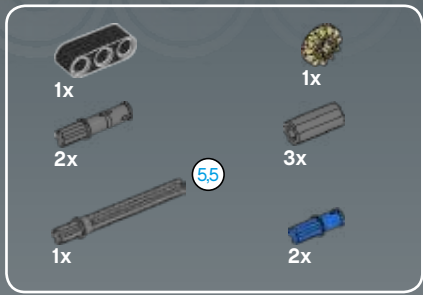
4



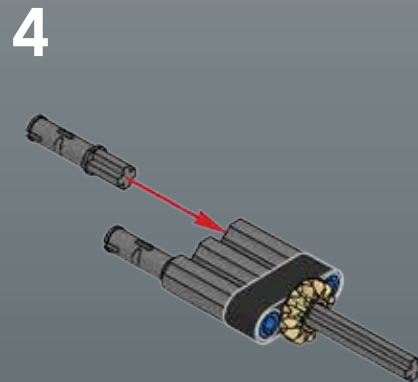
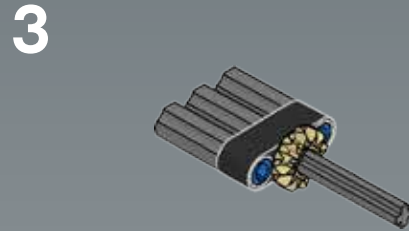
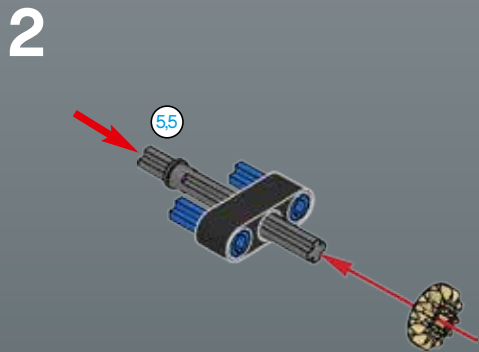
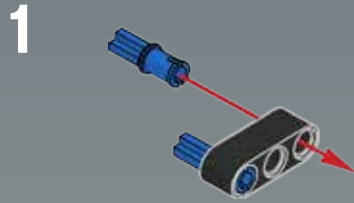
5

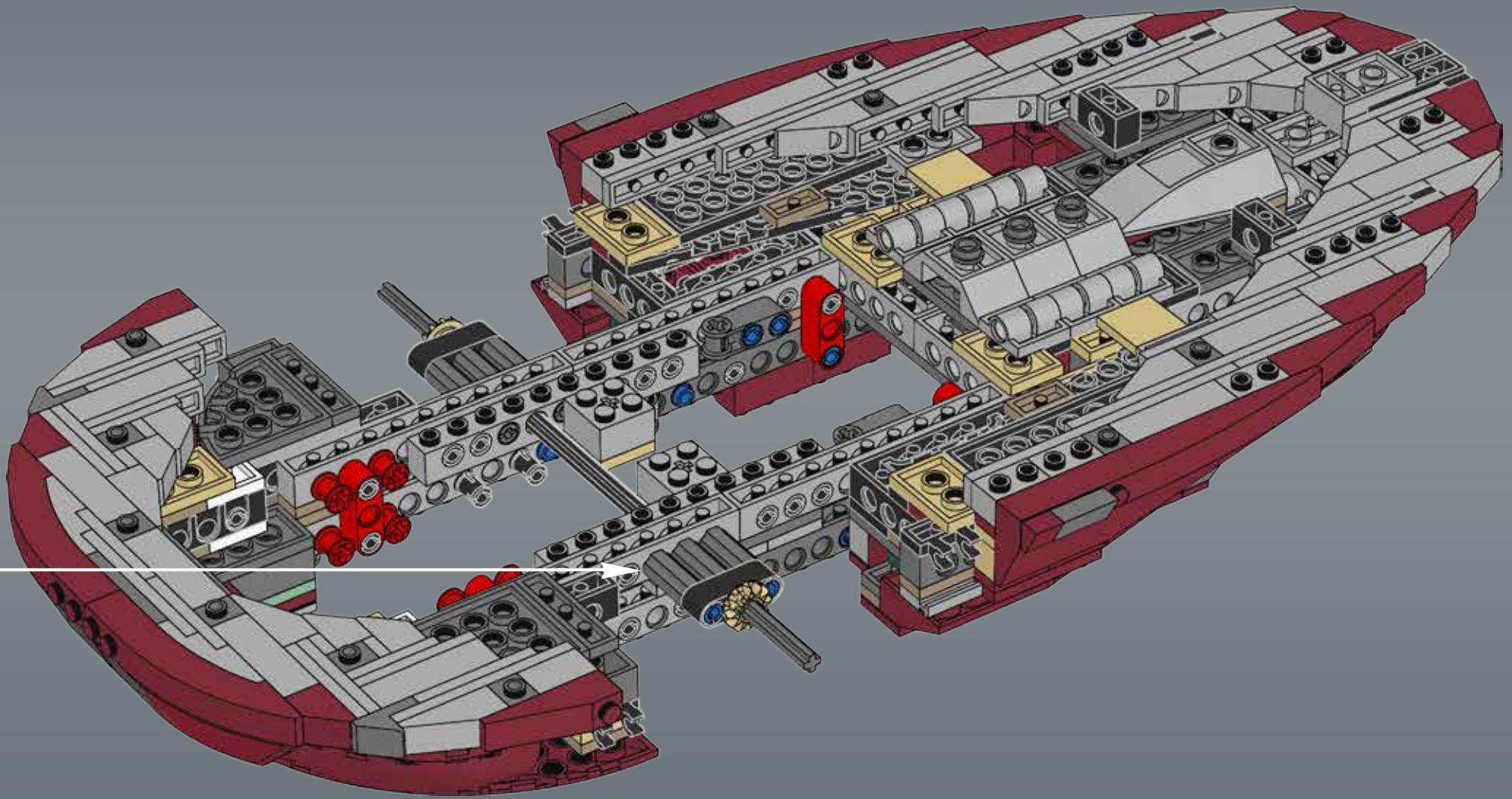


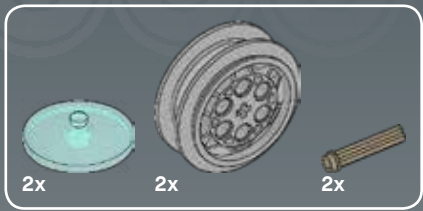




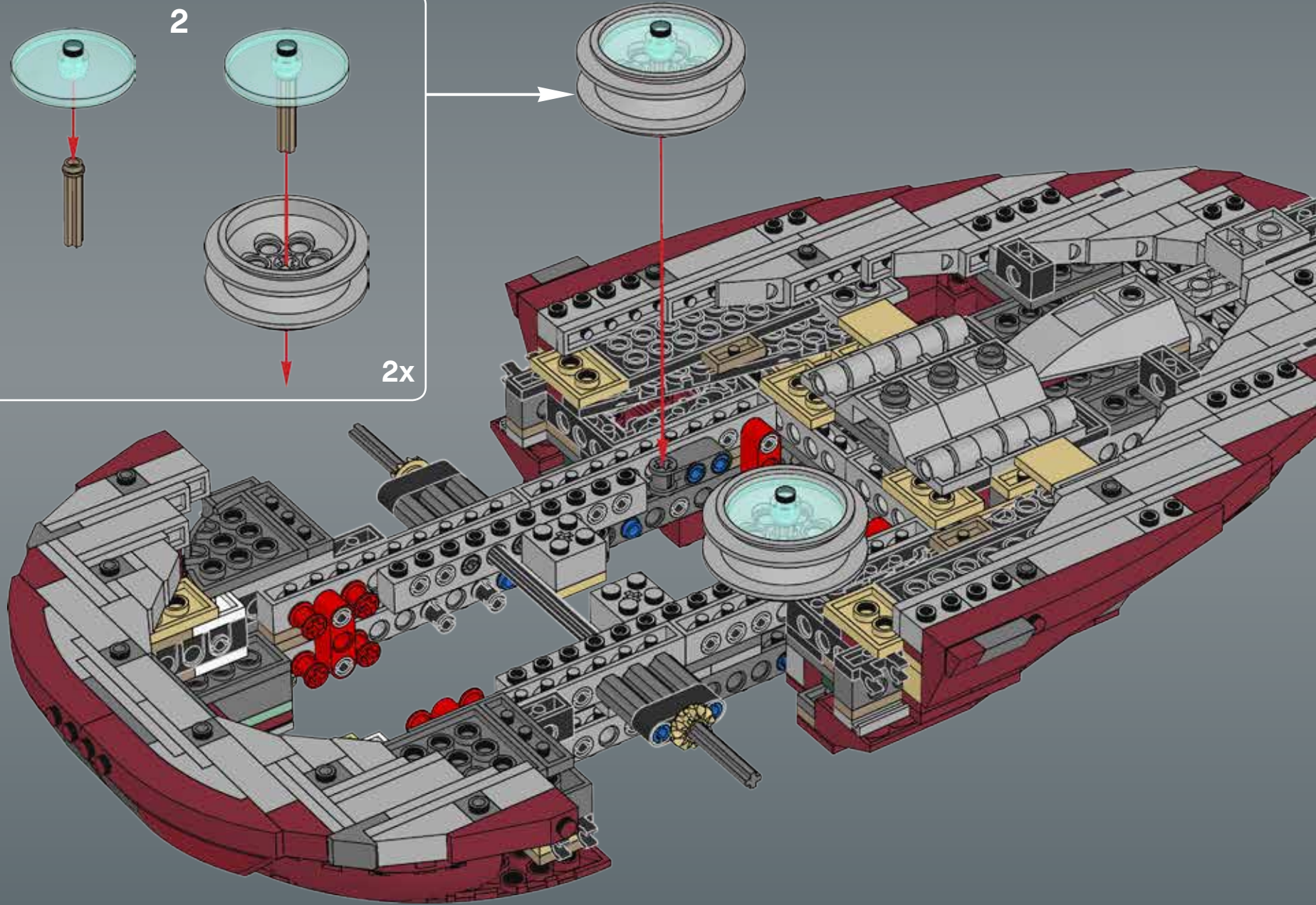
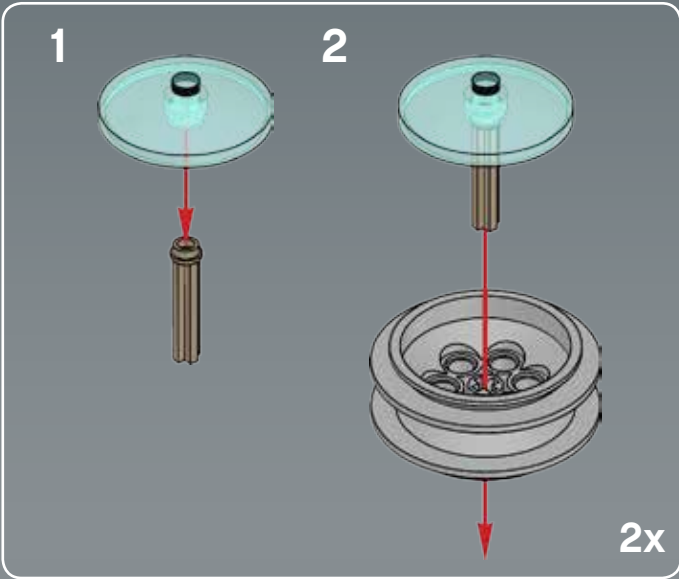
48

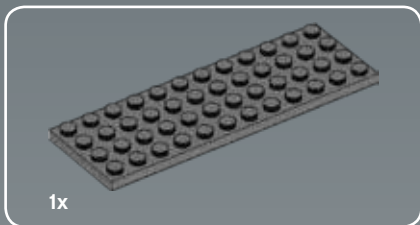
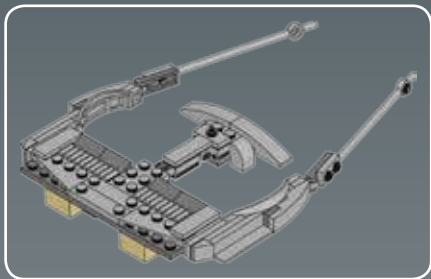




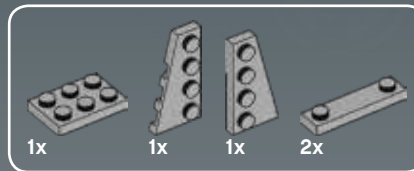
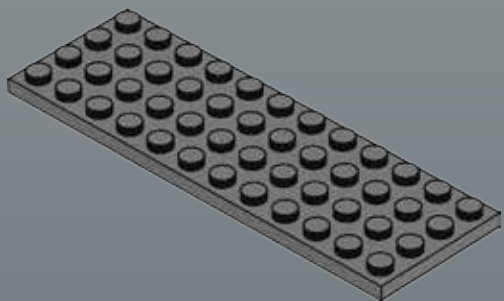


49

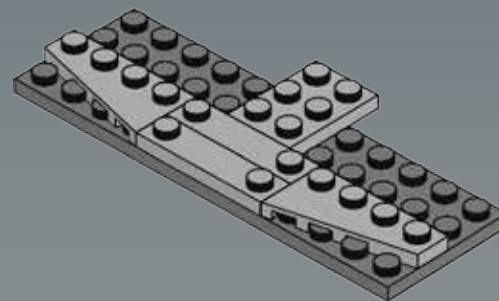




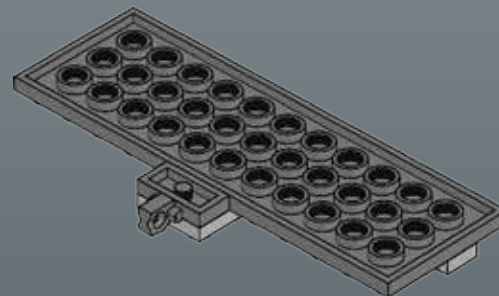
1



2

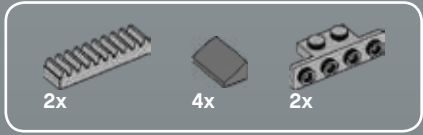
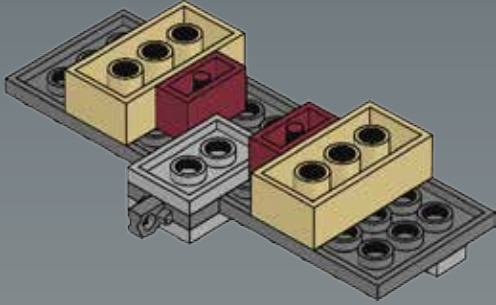


3

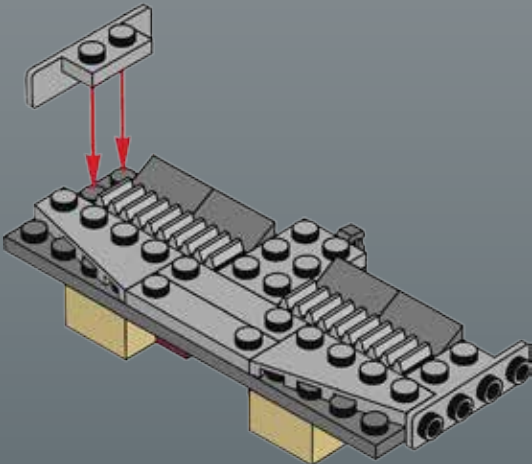




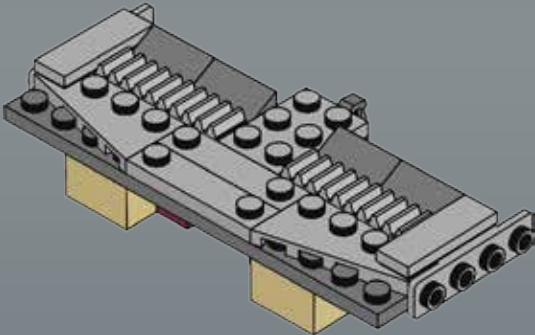
4

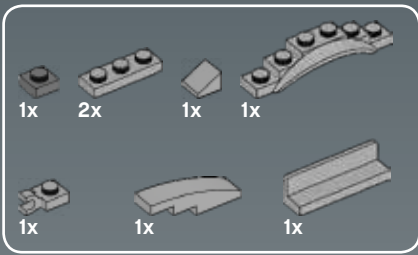


5

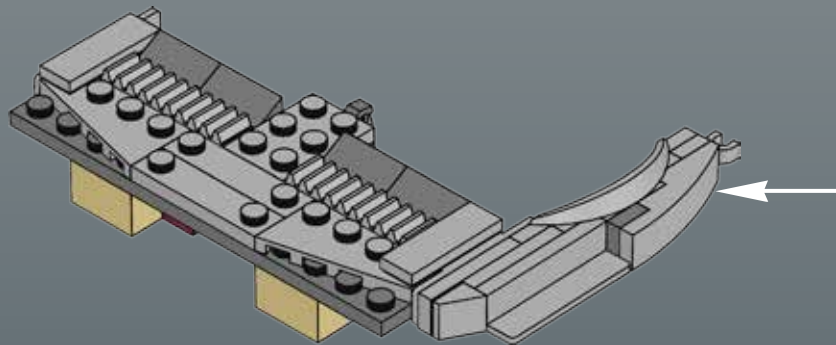
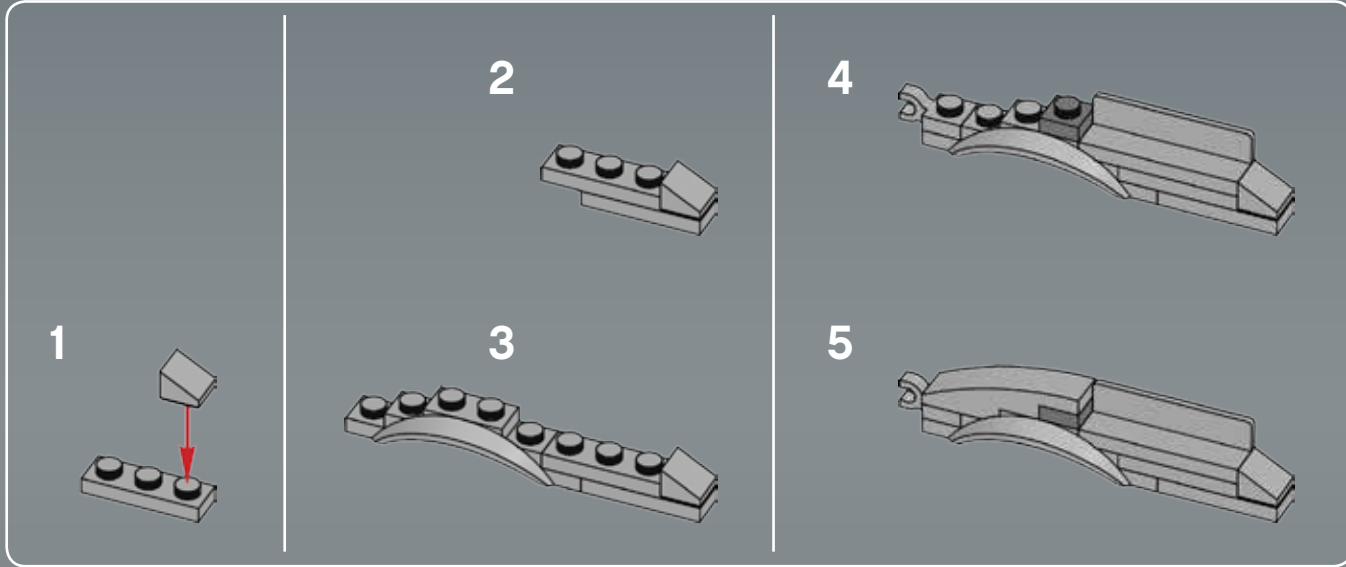


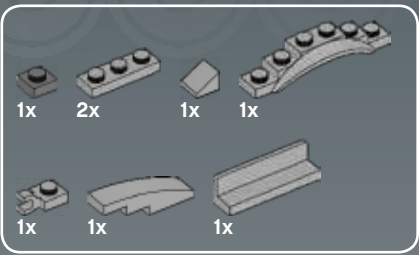
6



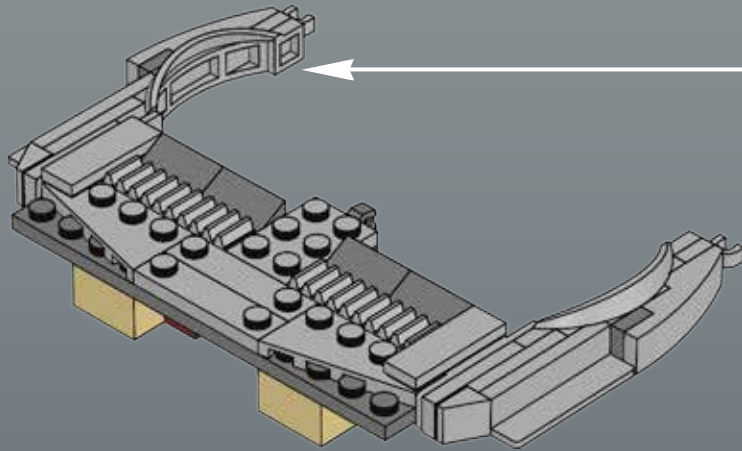
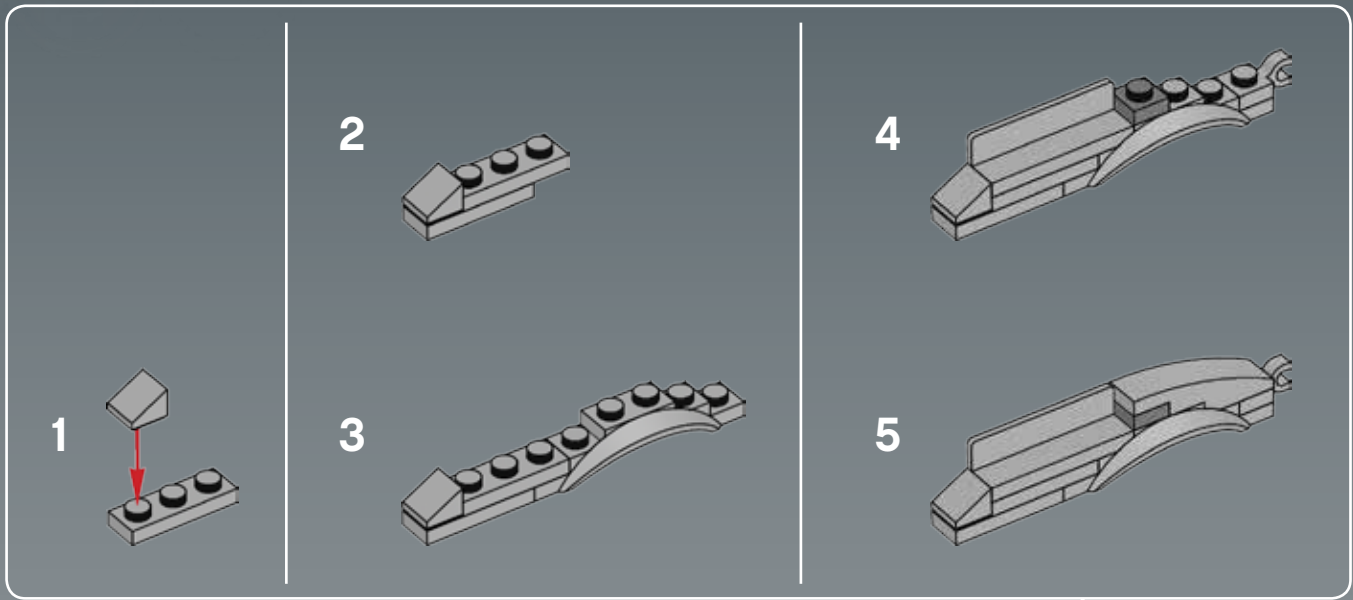


7



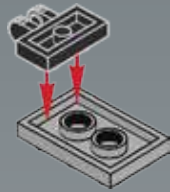


8

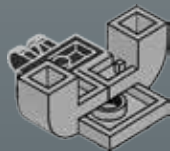




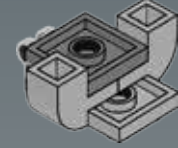
1



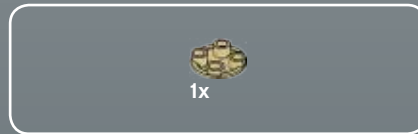
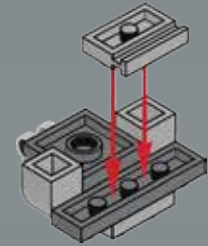
2



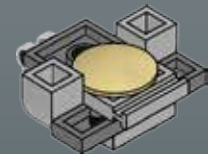
3



4

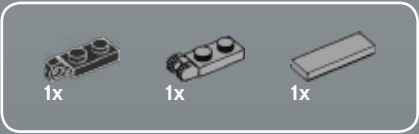
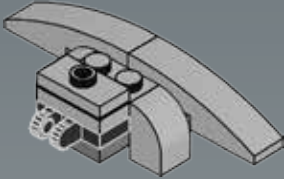


5

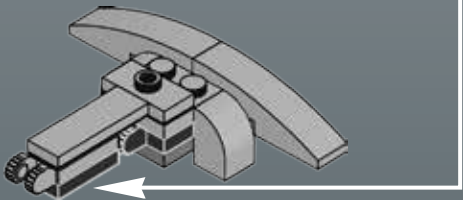
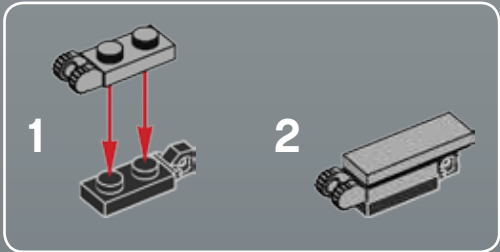




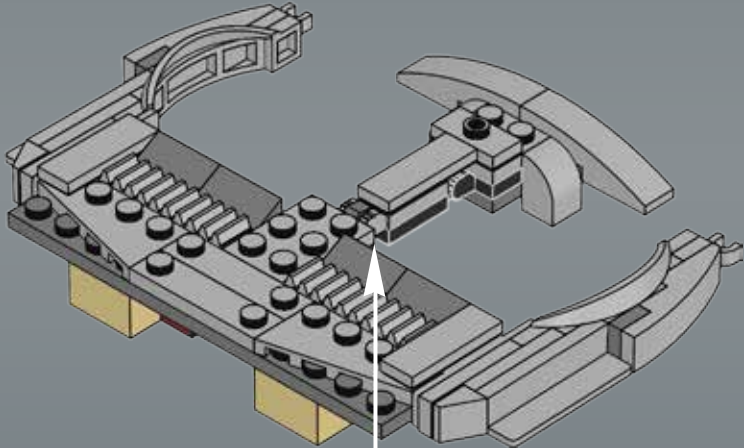
6

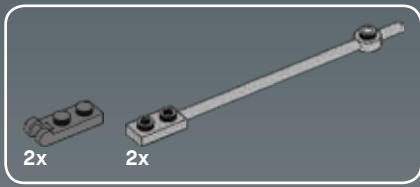


7

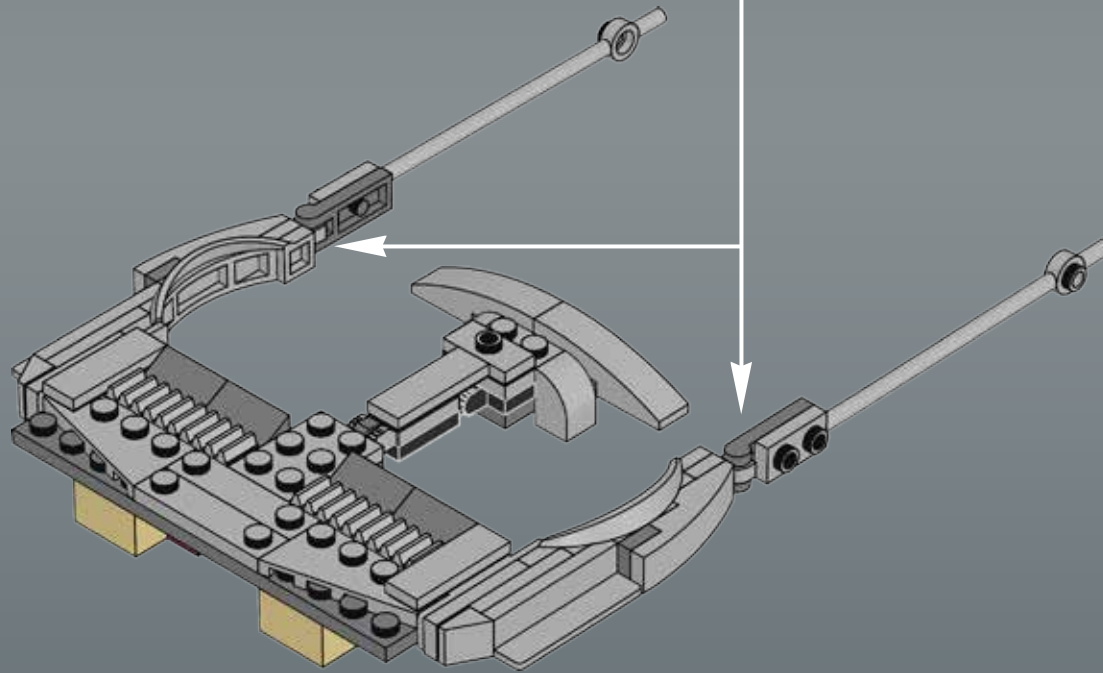
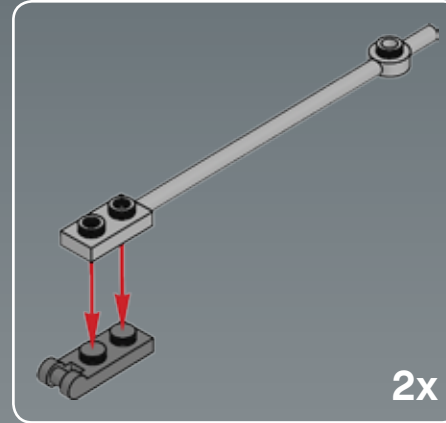


9

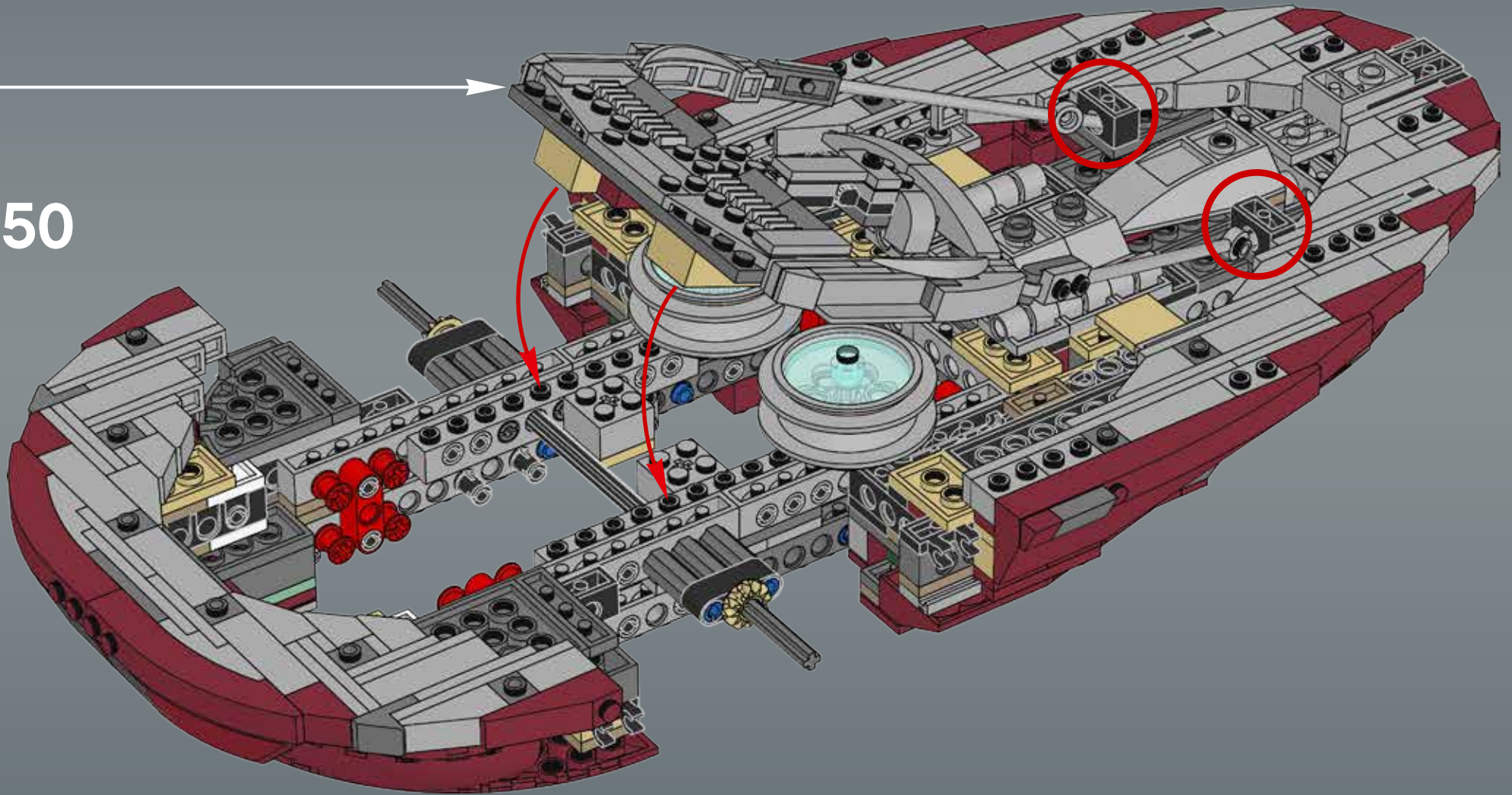


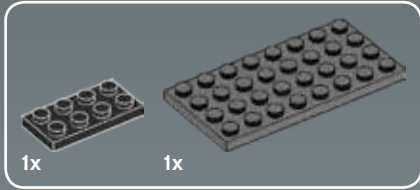
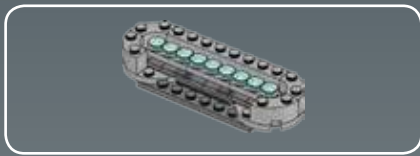


10

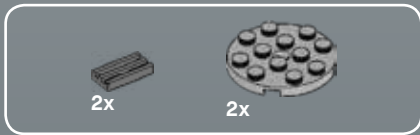
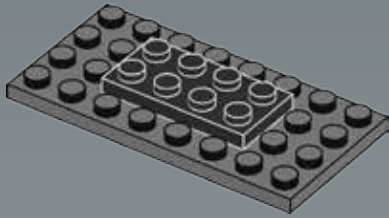


50

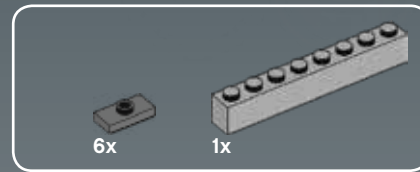
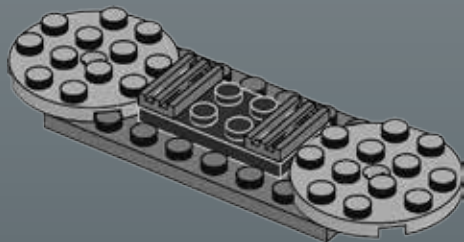




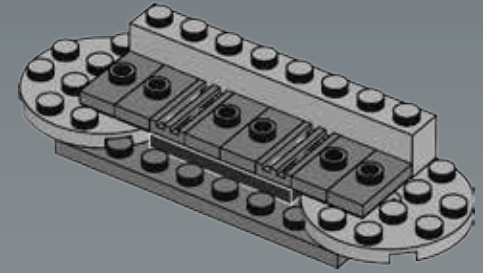
1



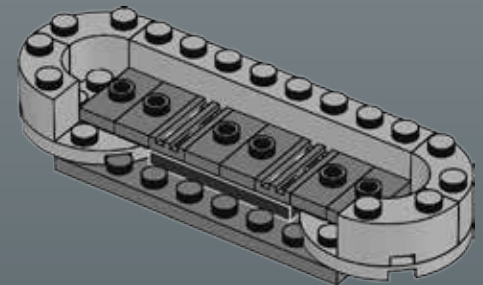
2



3

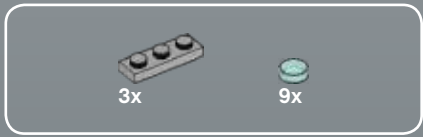
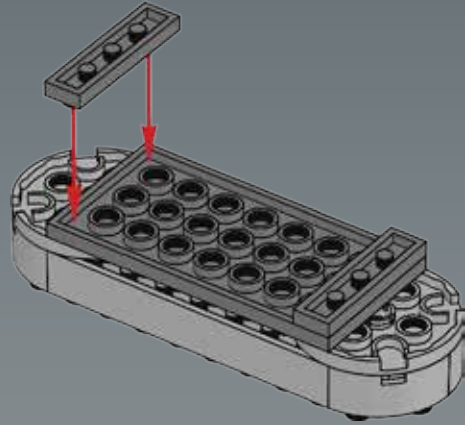


4

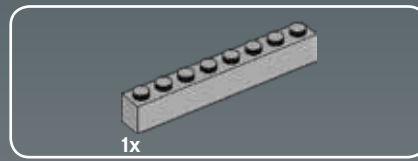
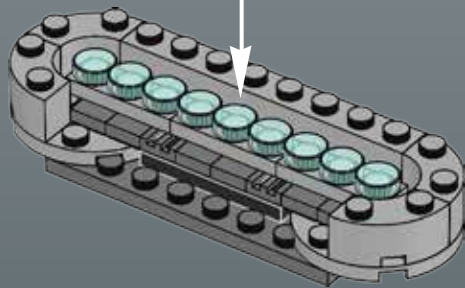
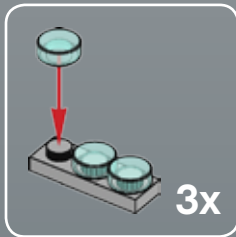




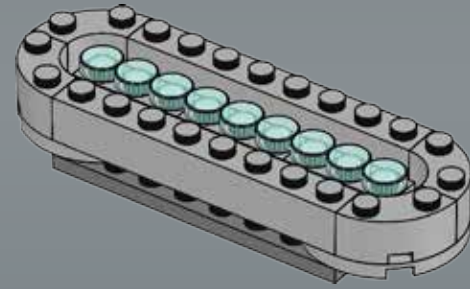
5



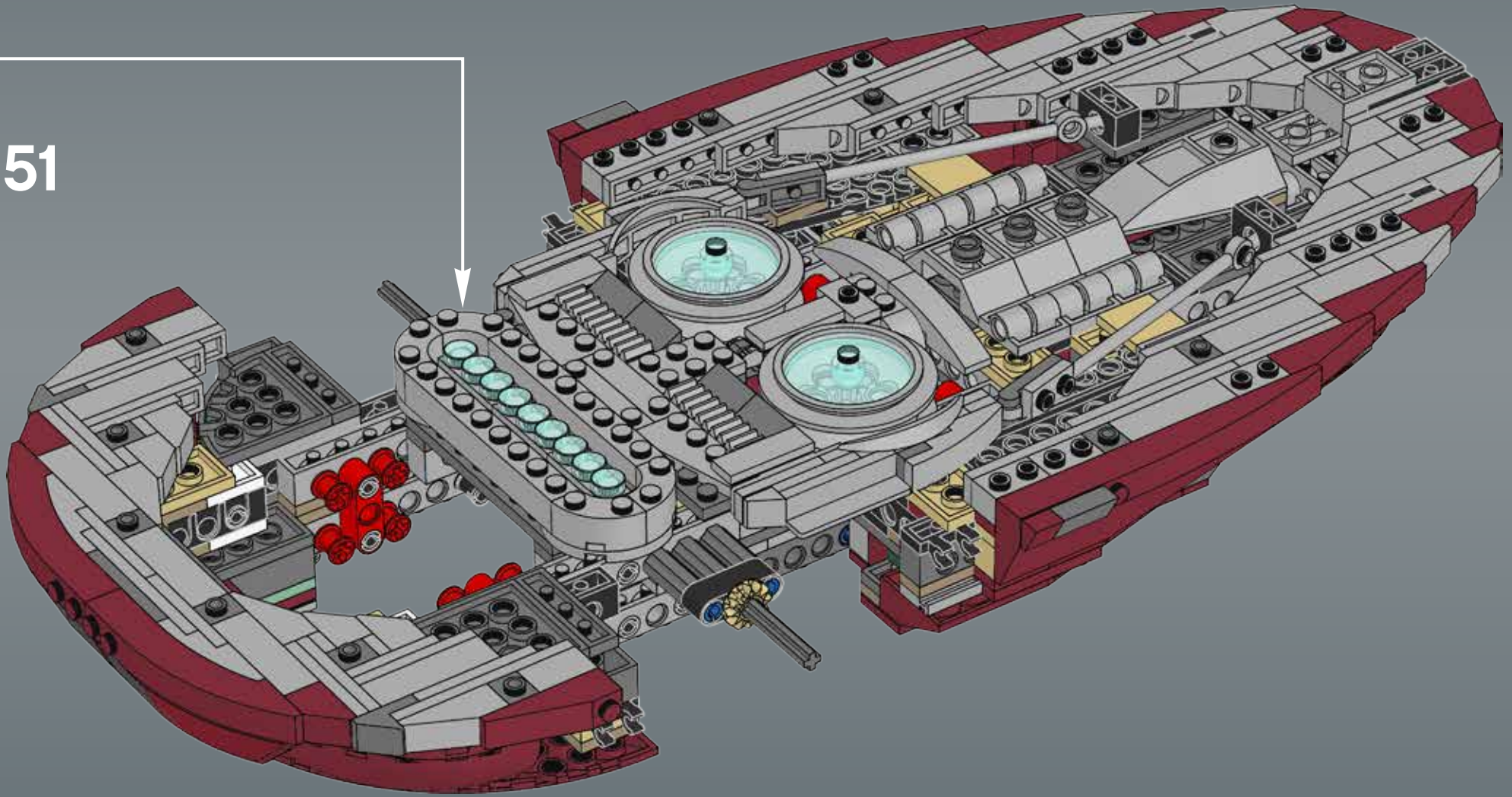
6



7

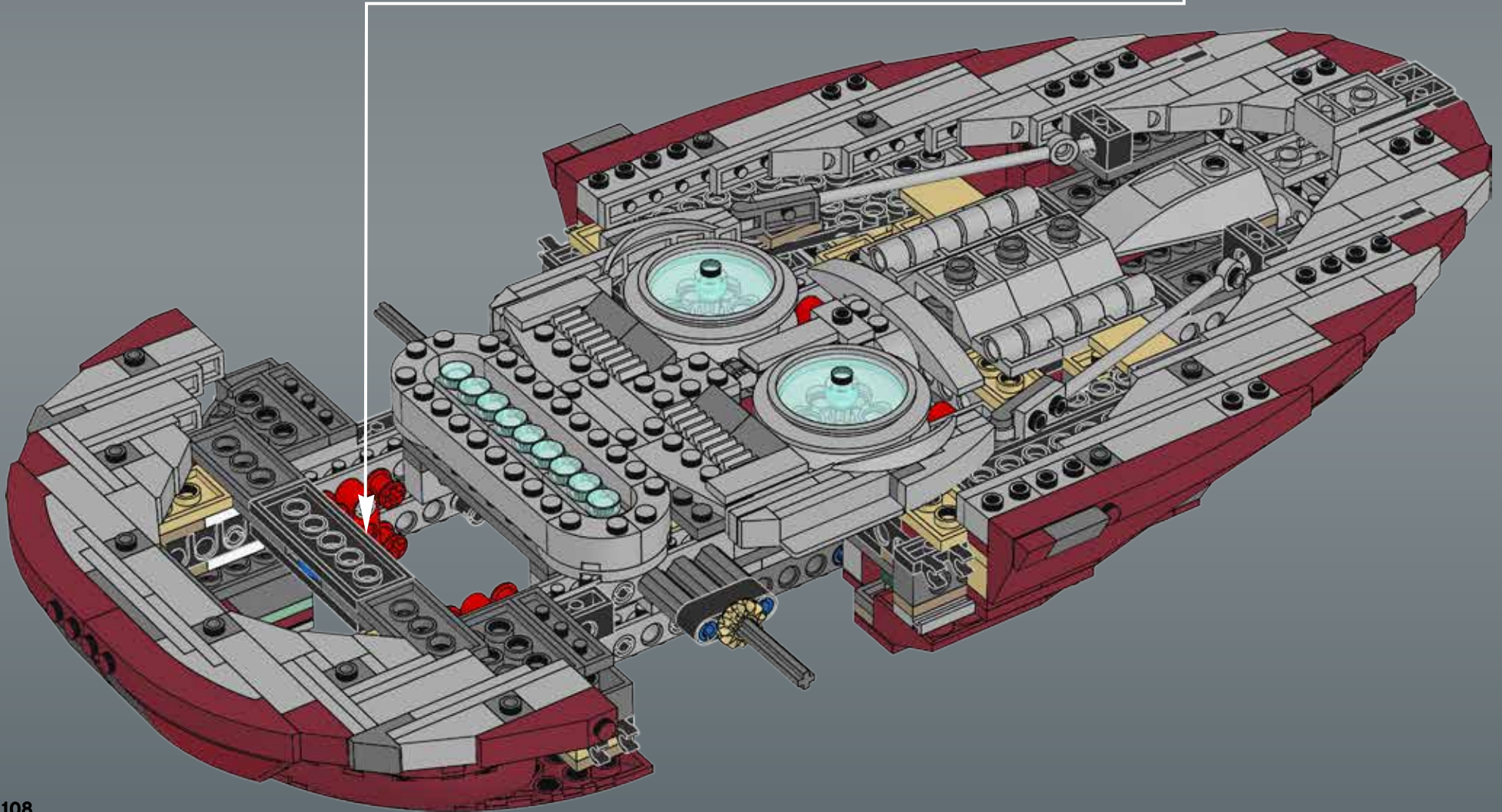
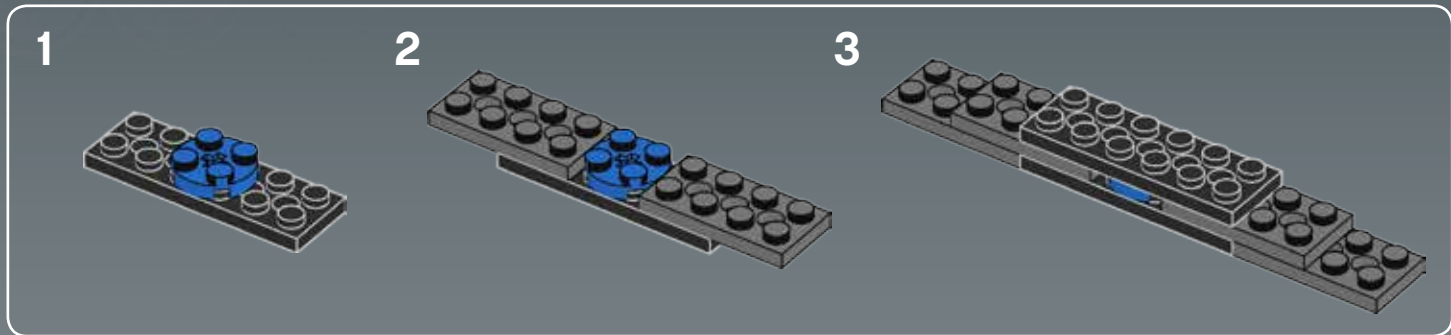


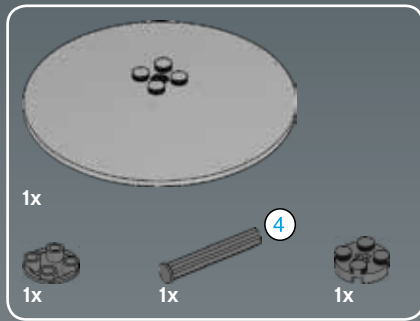
51



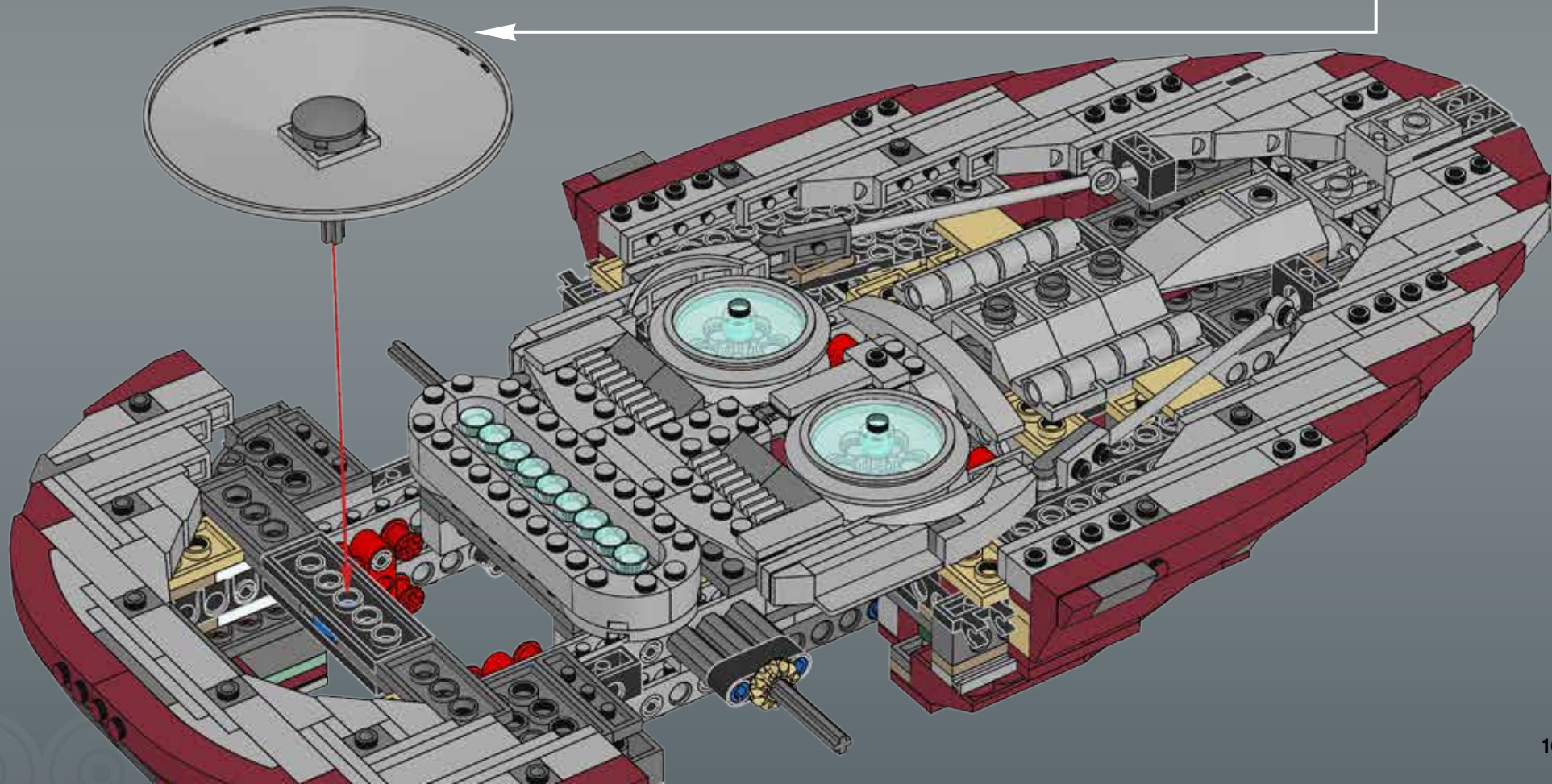
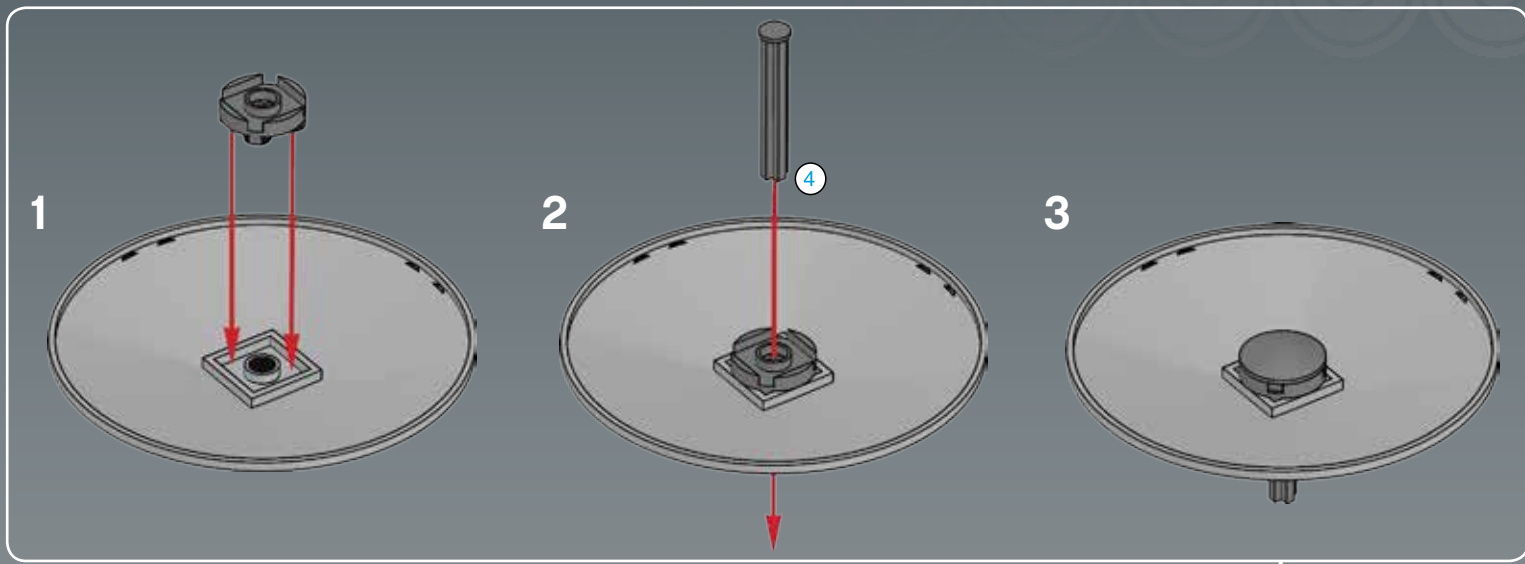


52





53



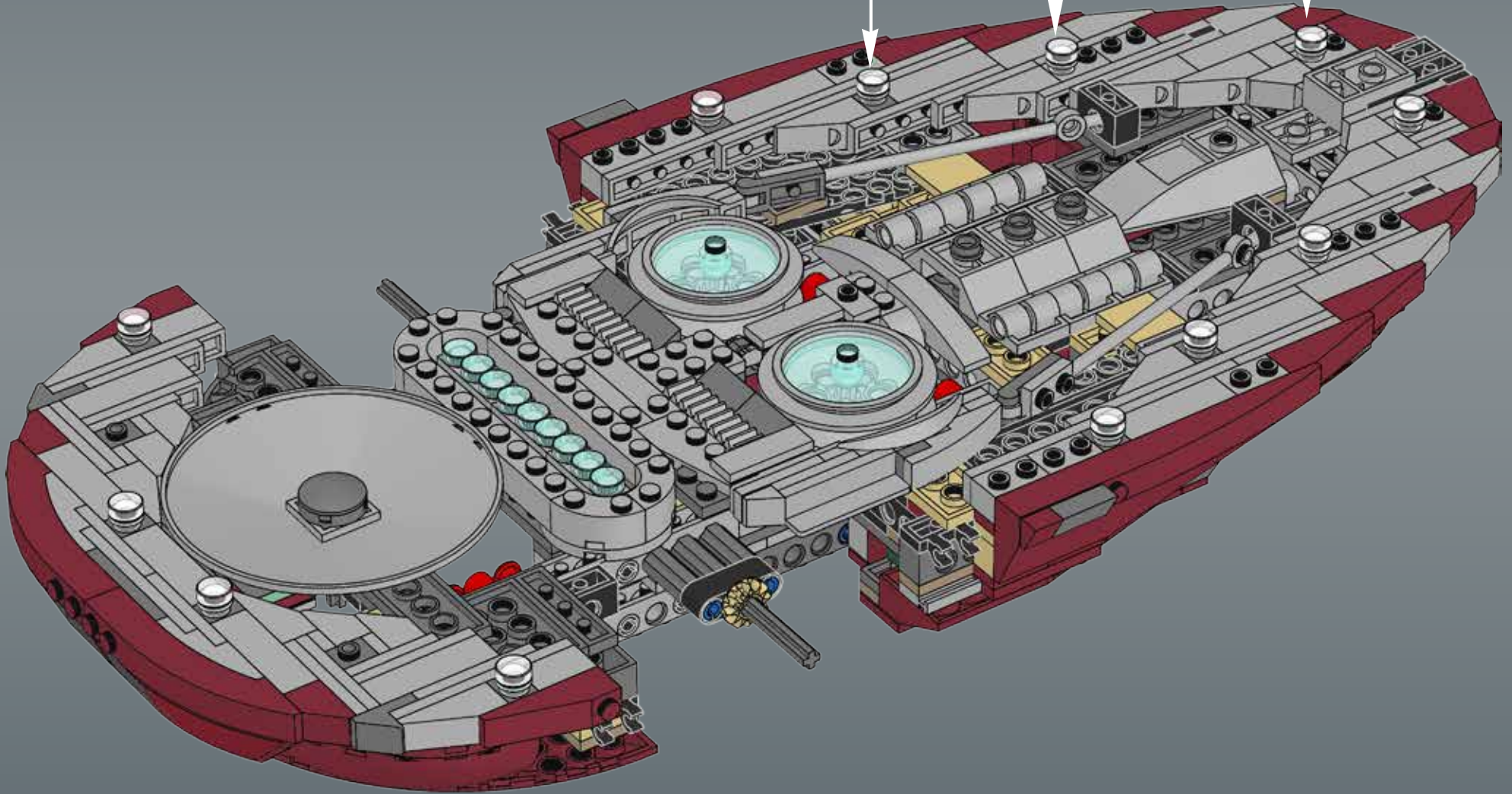
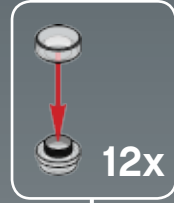


12x



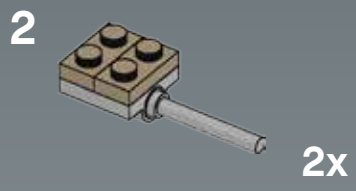
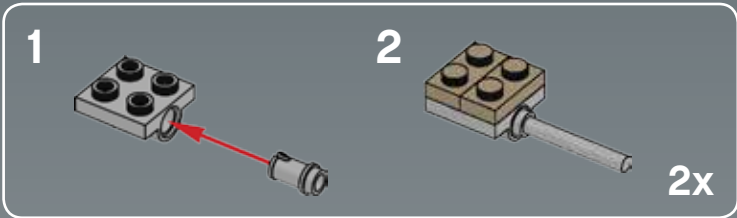
12x

54

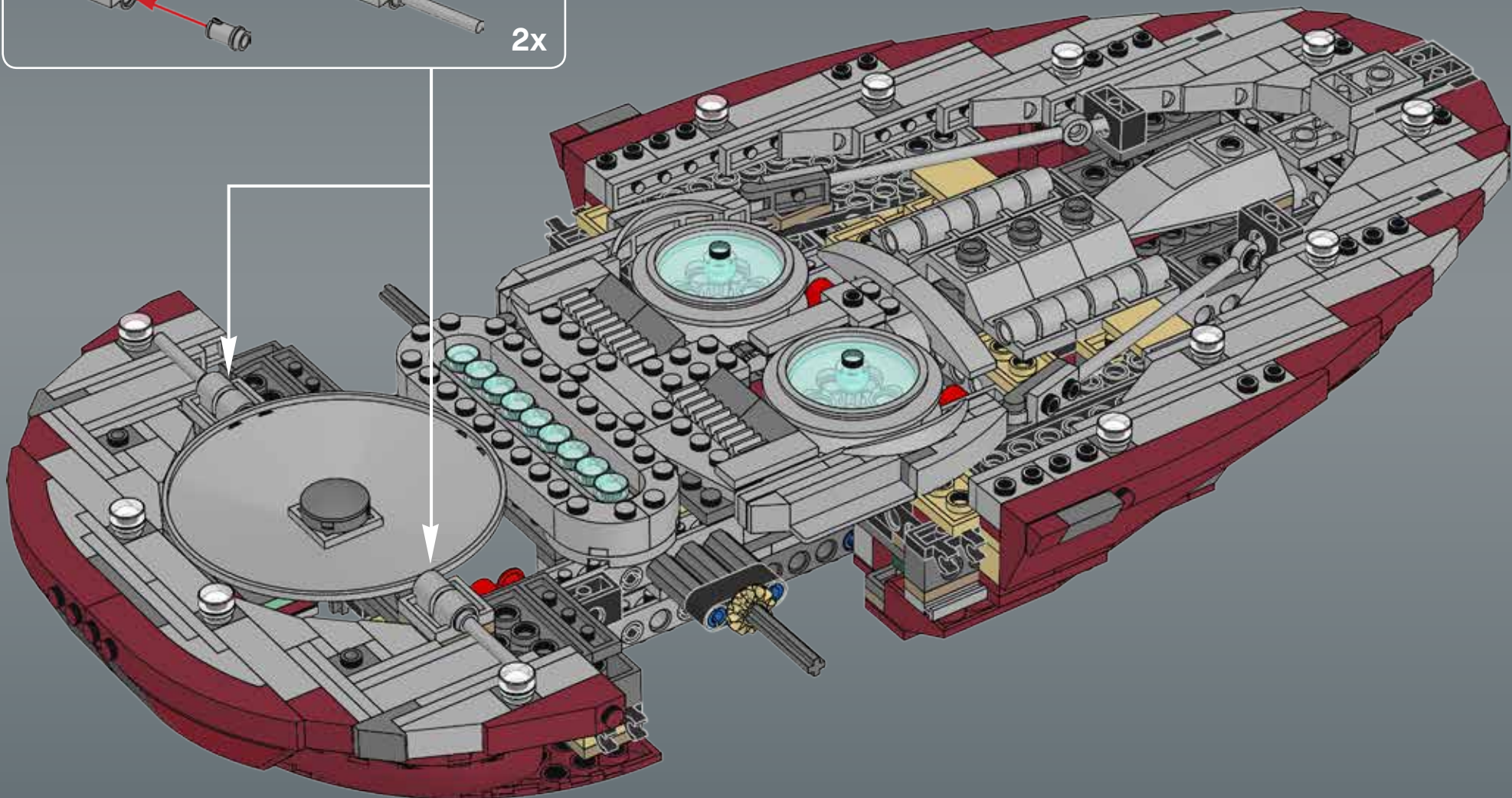


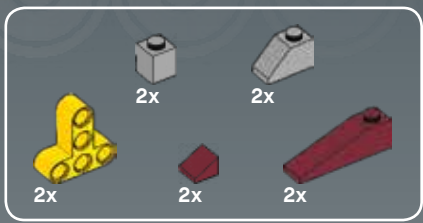


55

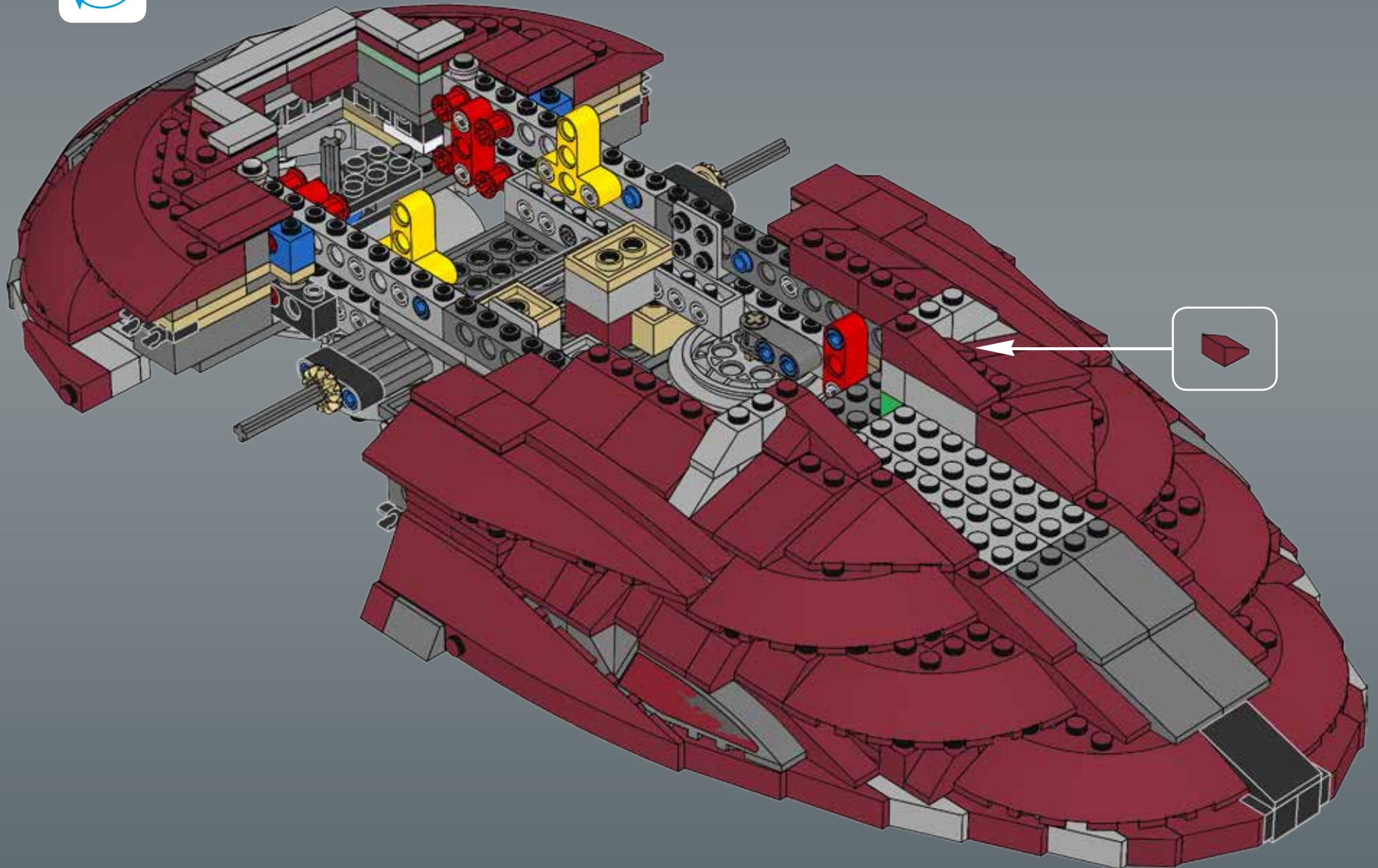


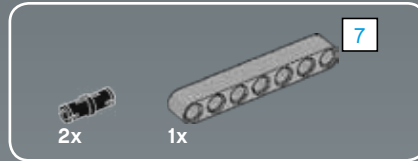
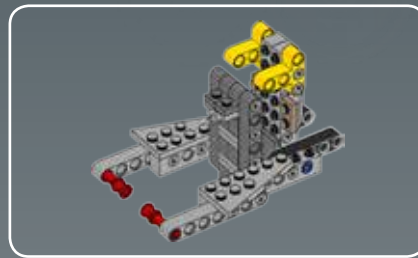
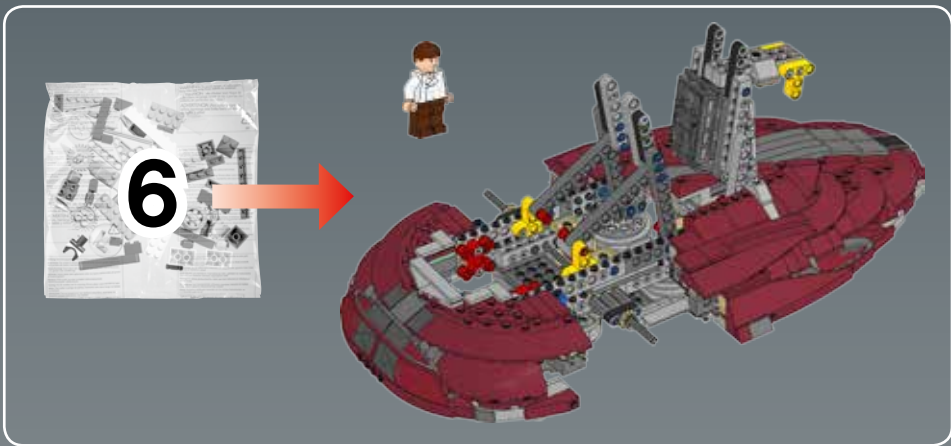
2x



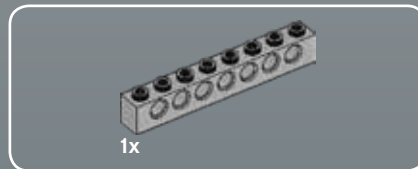
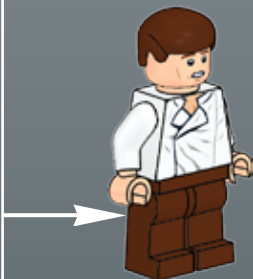
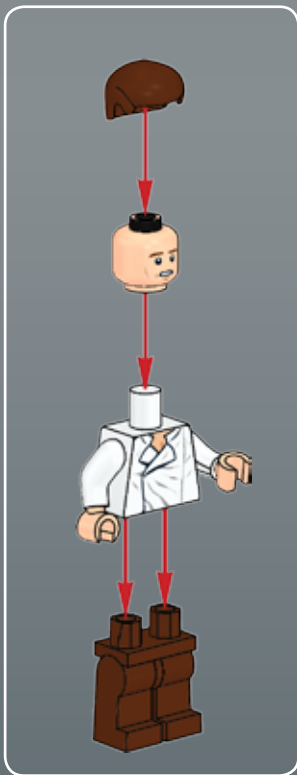
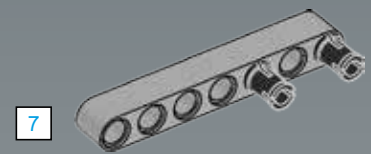


56

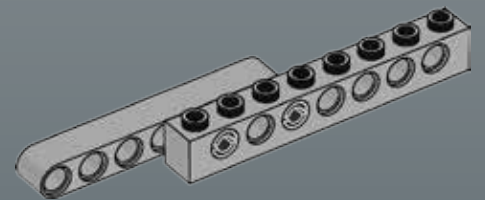


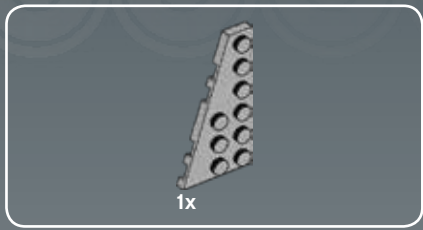


1

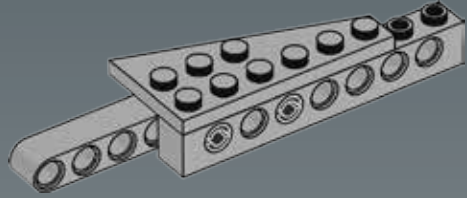


2

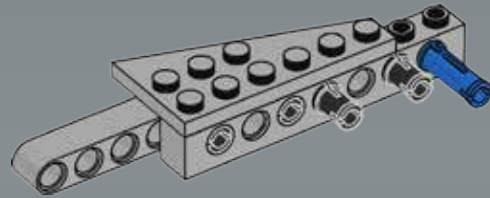




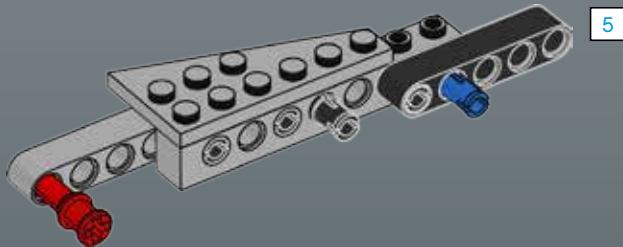
3

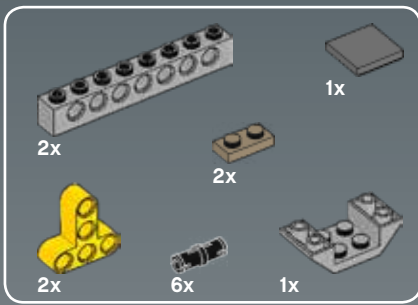


4

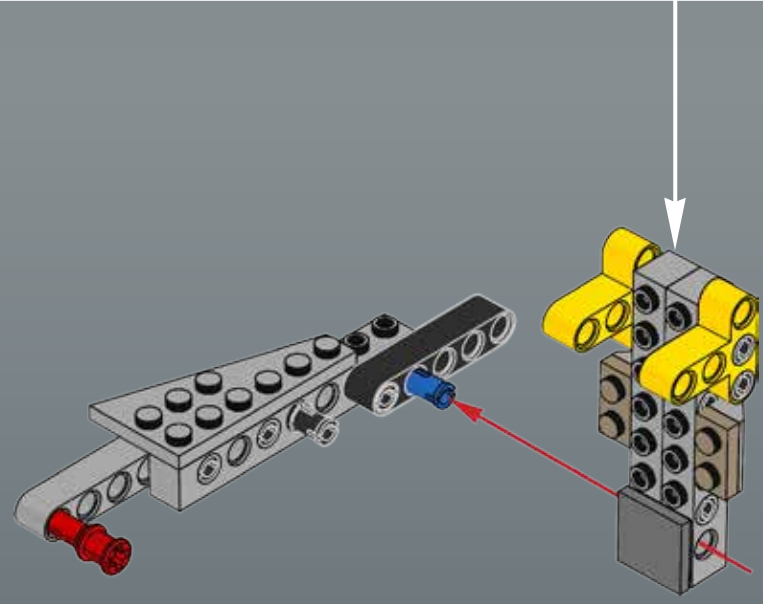
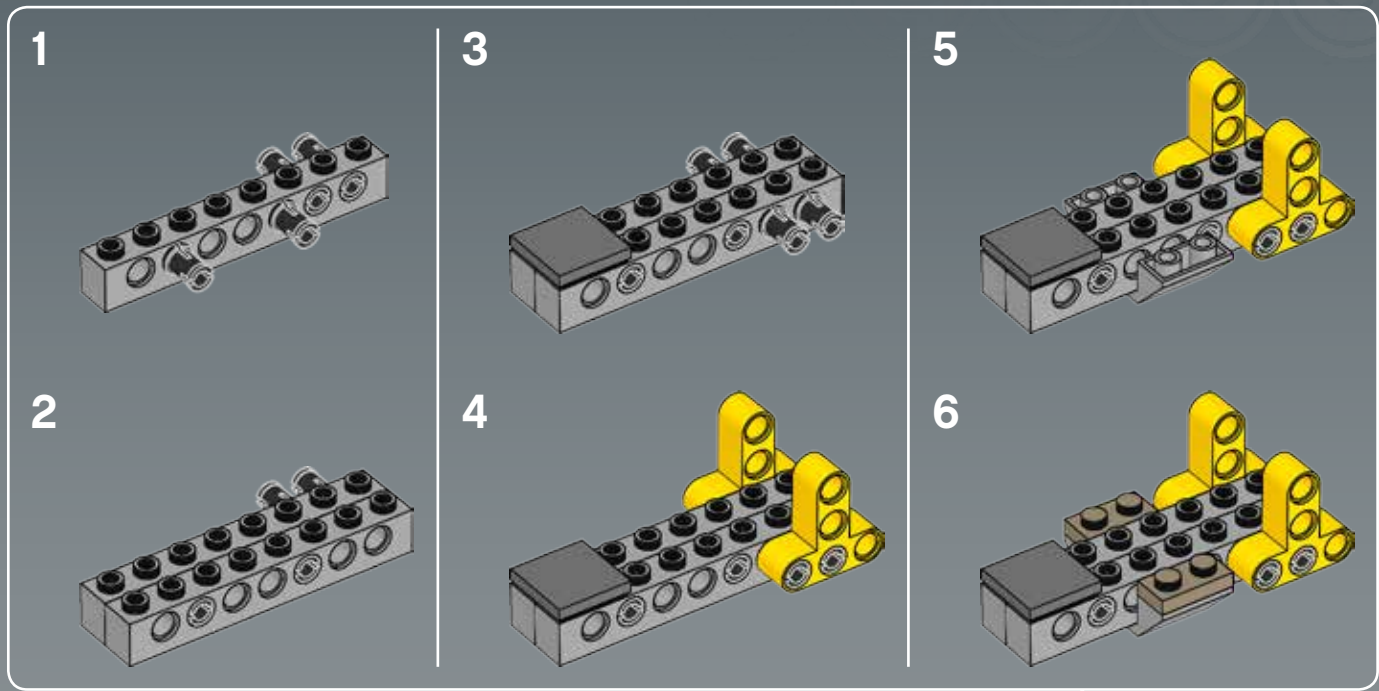


5



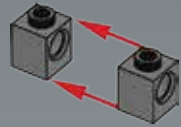


6

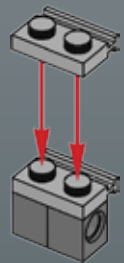




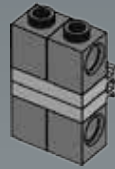
1



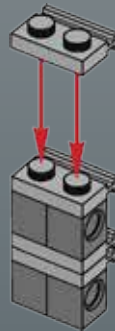
2



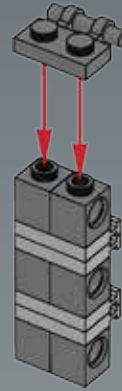
3



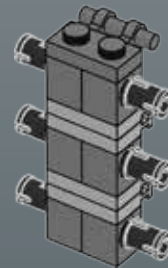
4



5

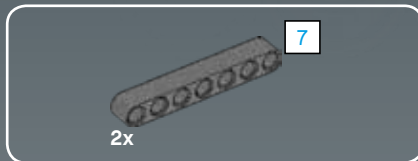
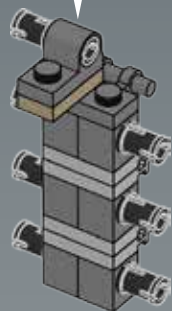
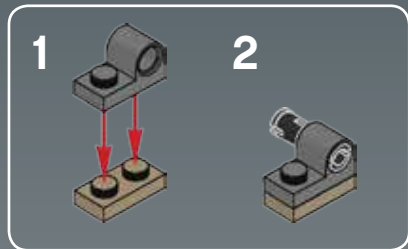


6

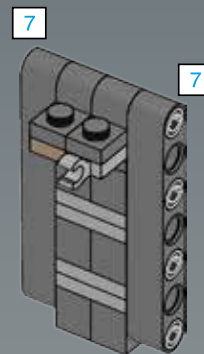




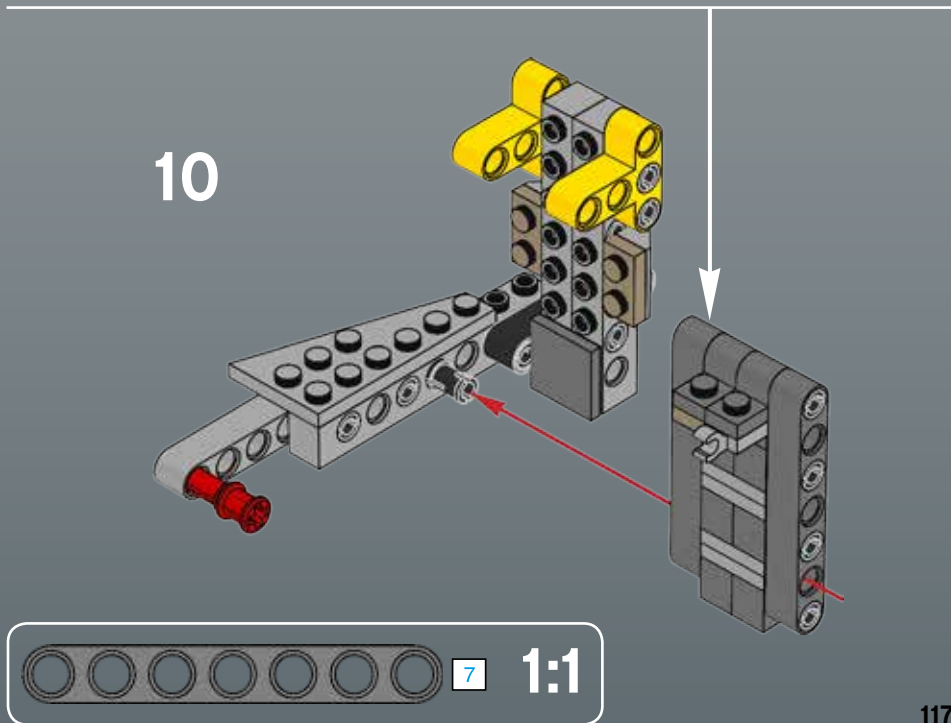
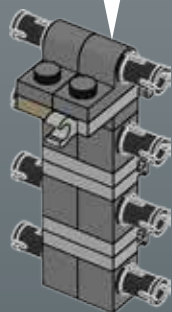
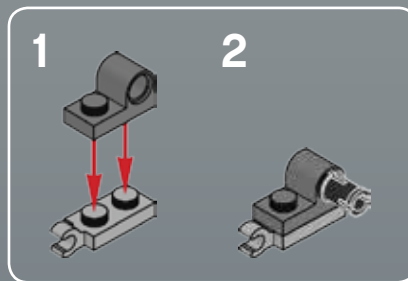
7



9

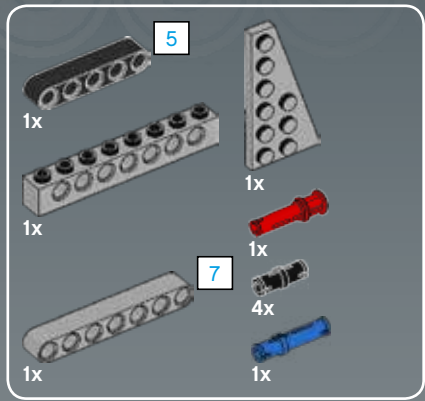


8

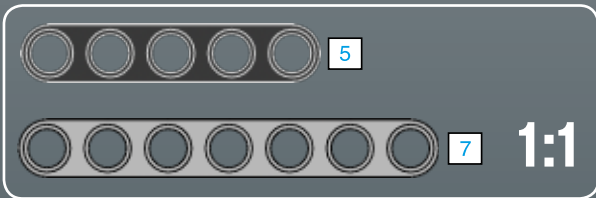
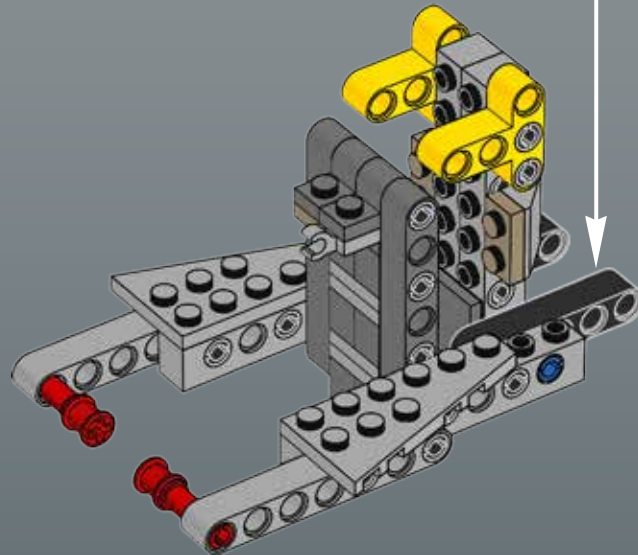
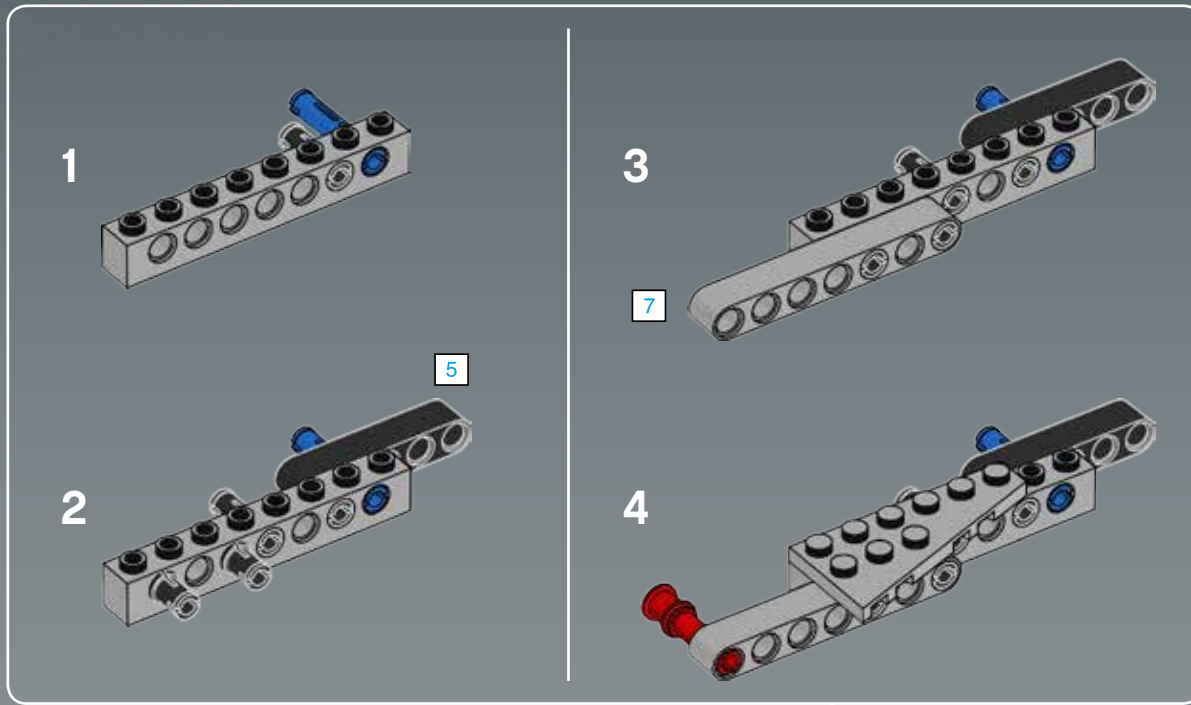


10

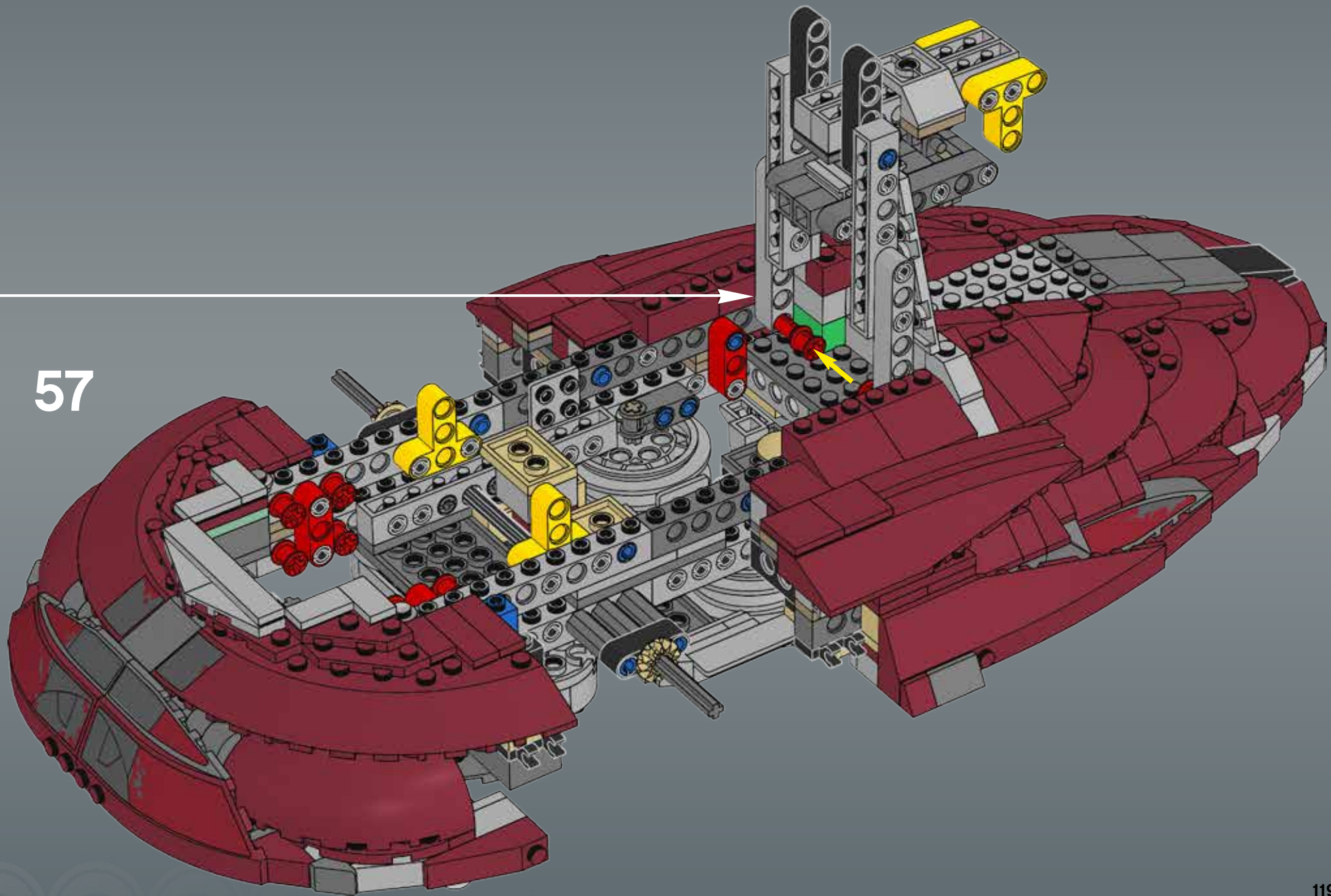




11



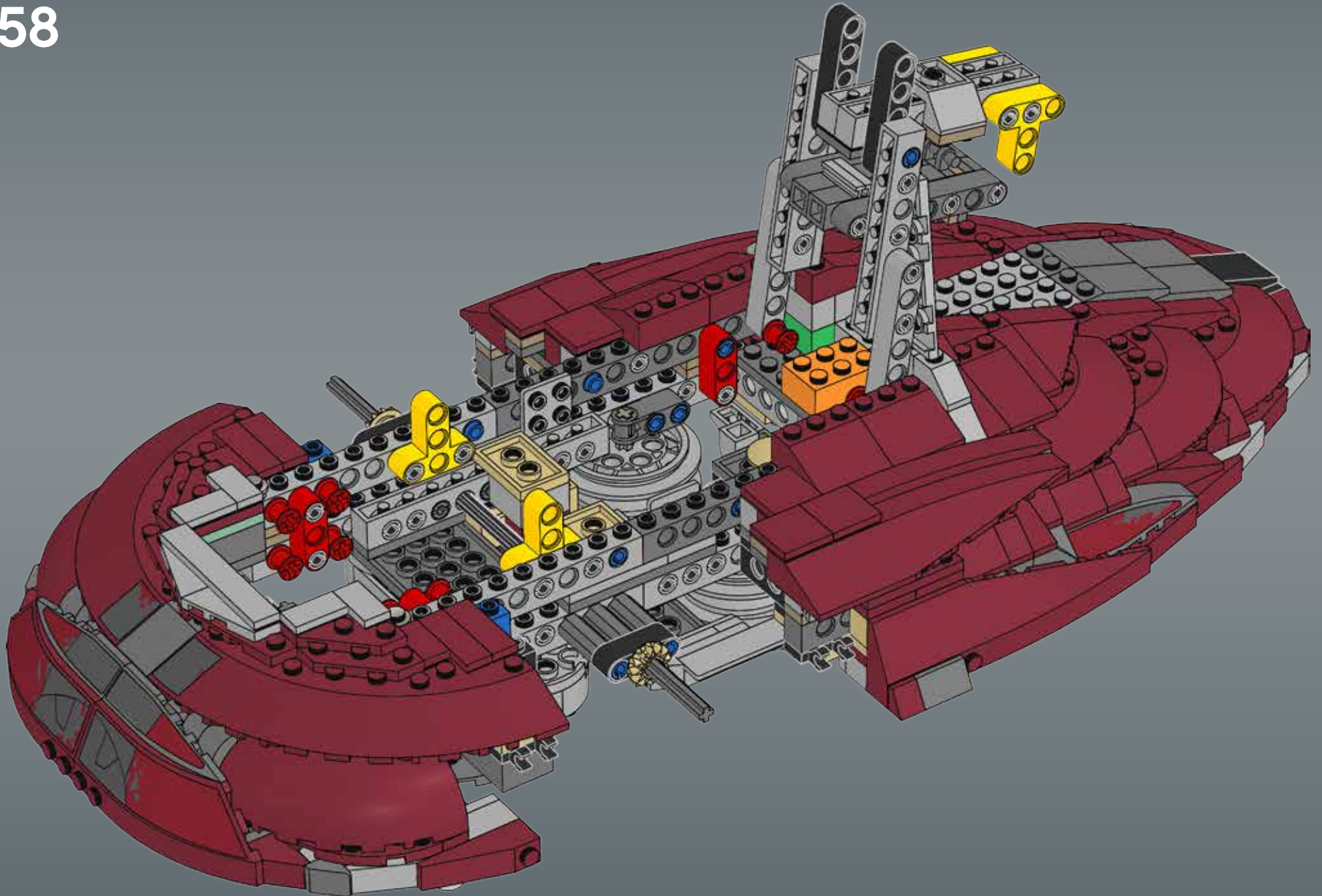
57

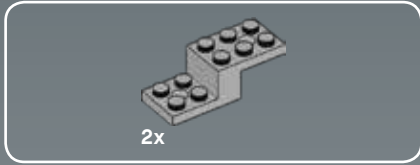
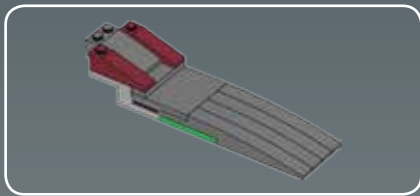




1x

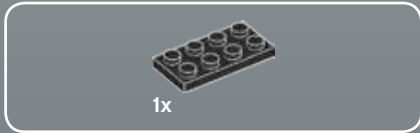
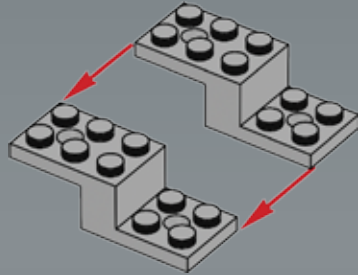
58





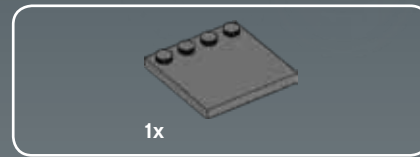
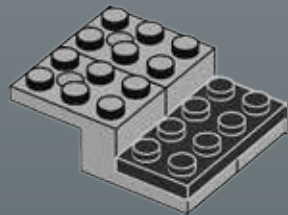
2x

1



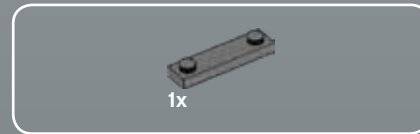
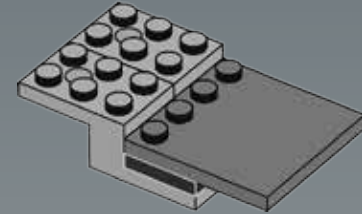
1x

2



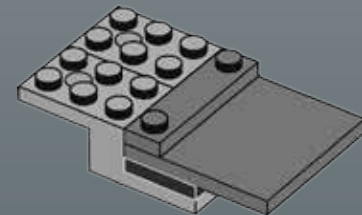
1x

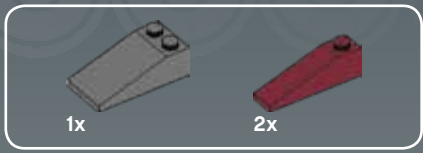
3



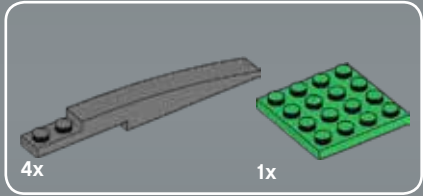
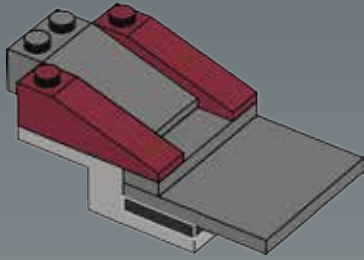
1x

4

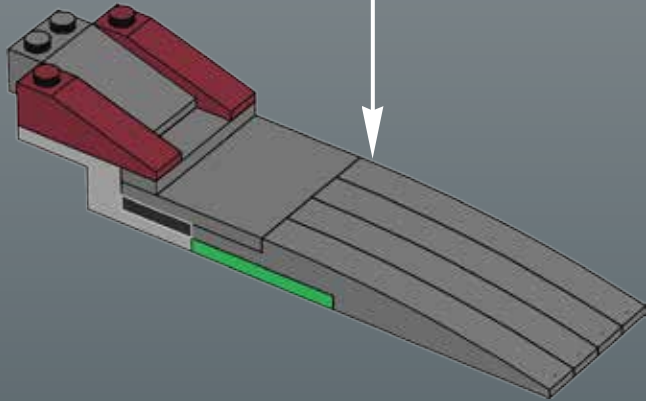
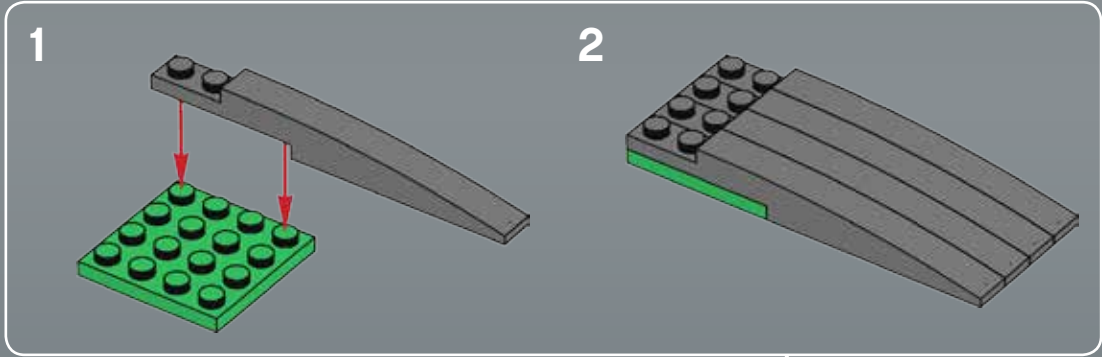




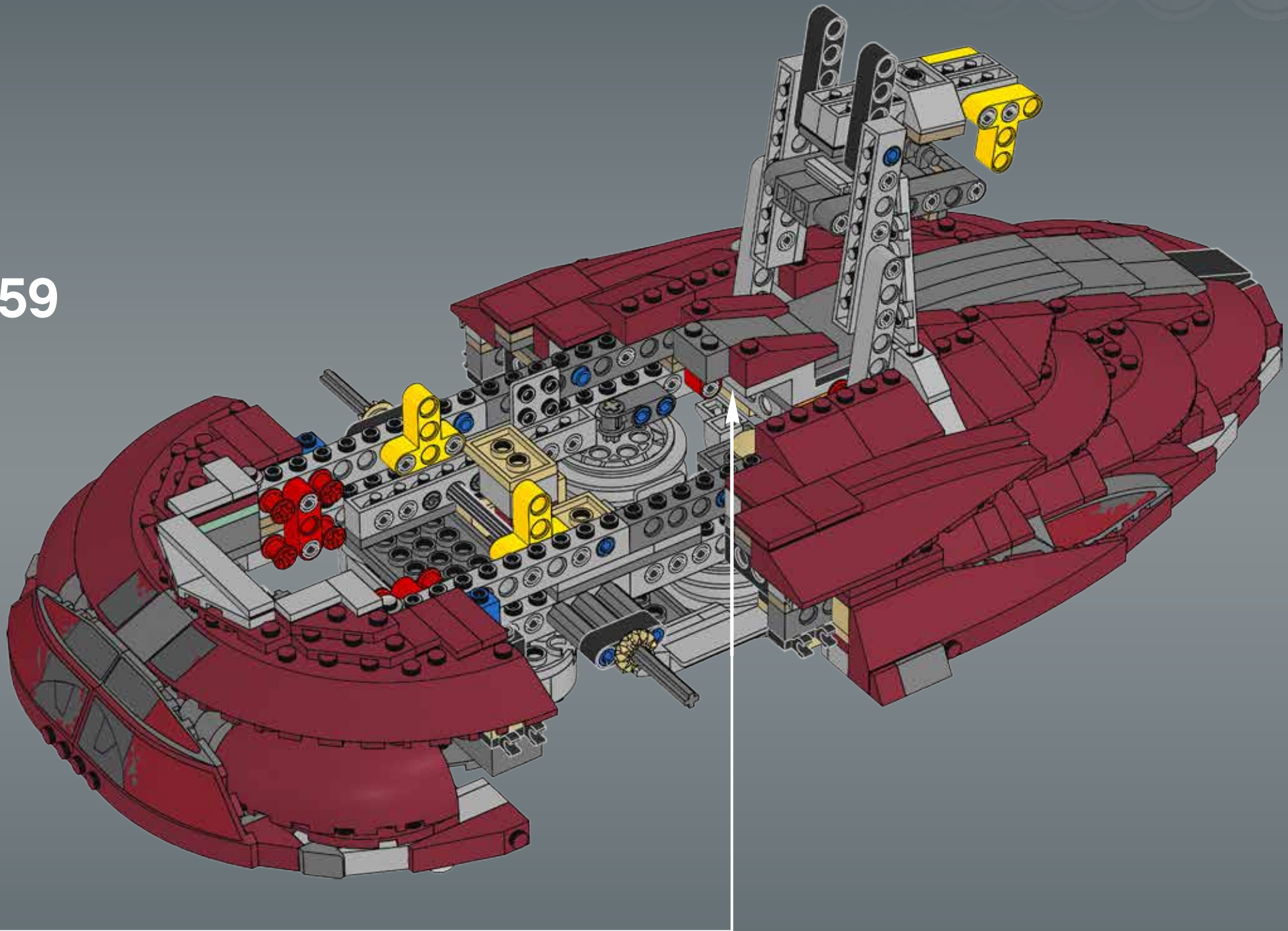
5

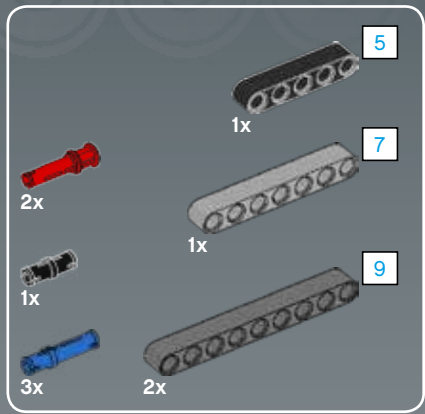


6

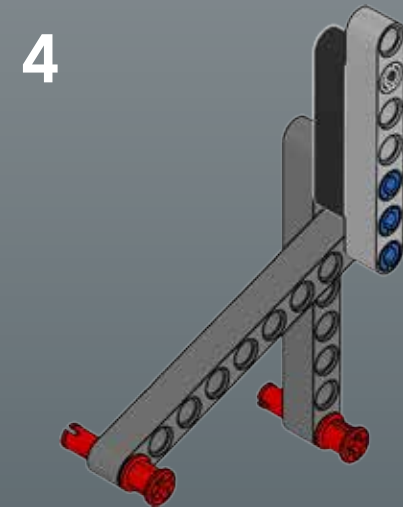
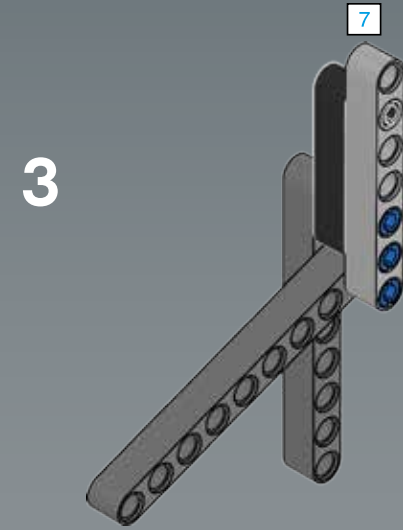
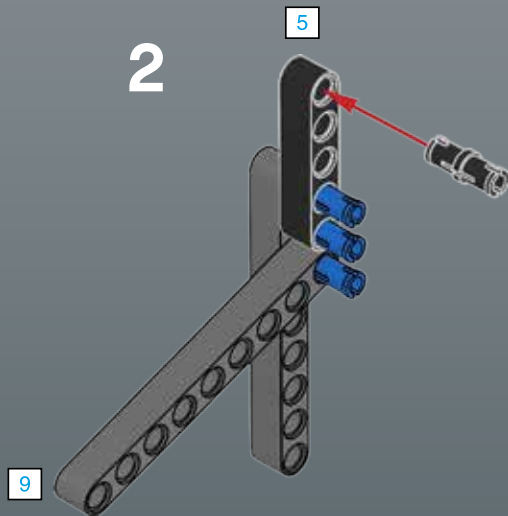
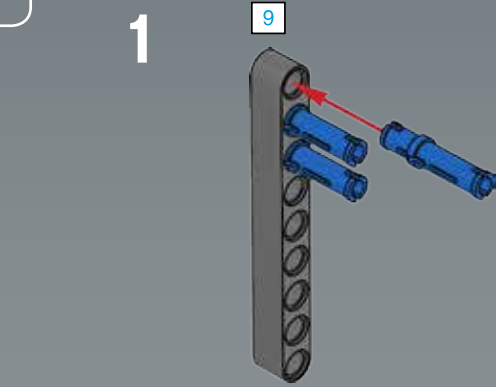
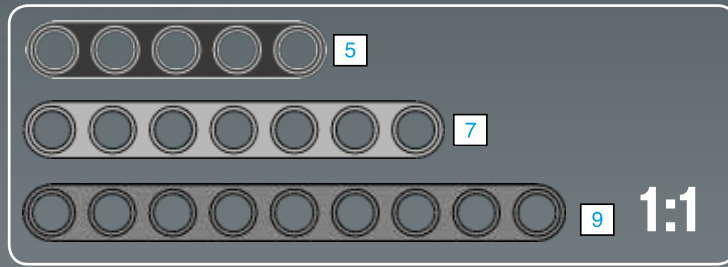


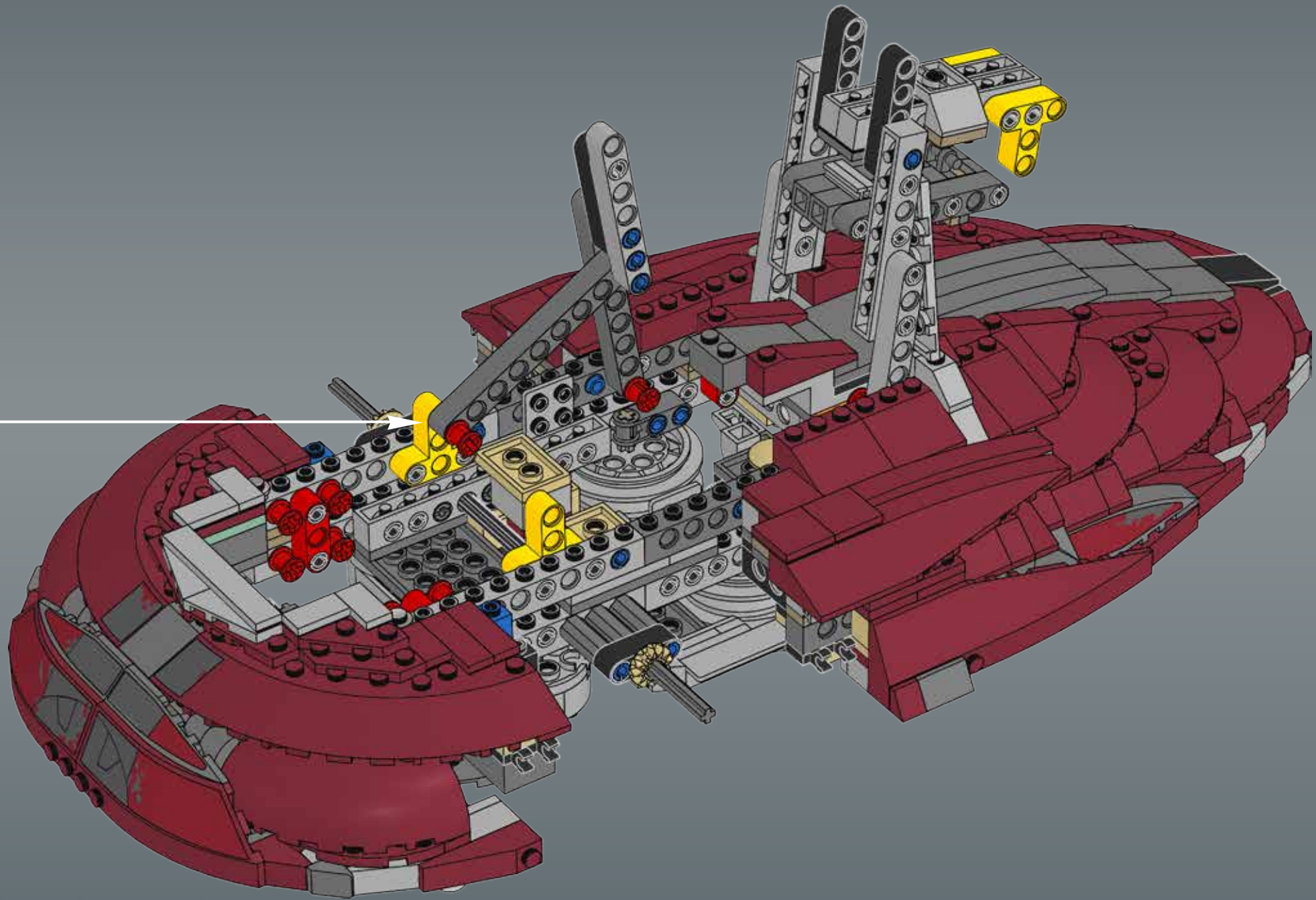
59

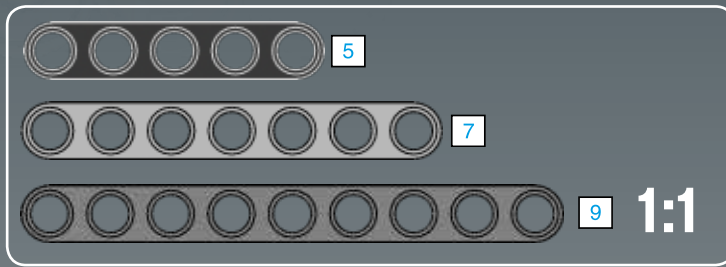
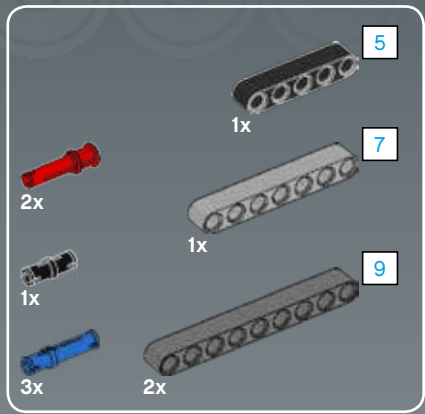




60

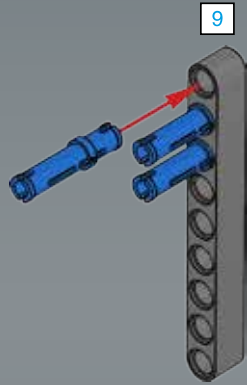




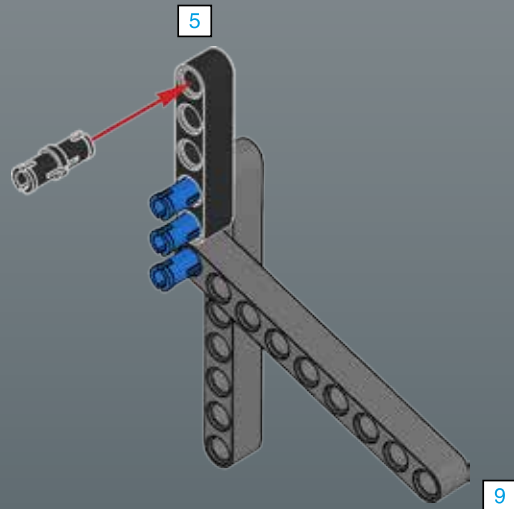


61

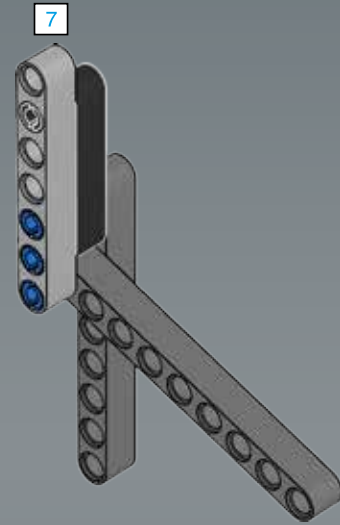
1



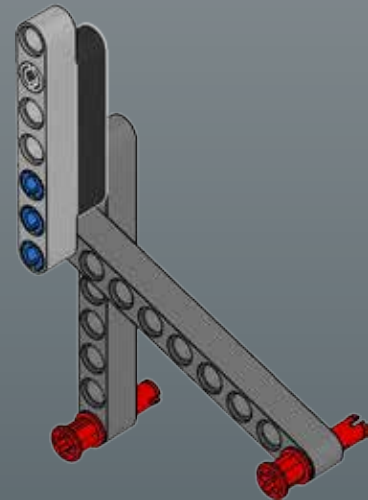
2

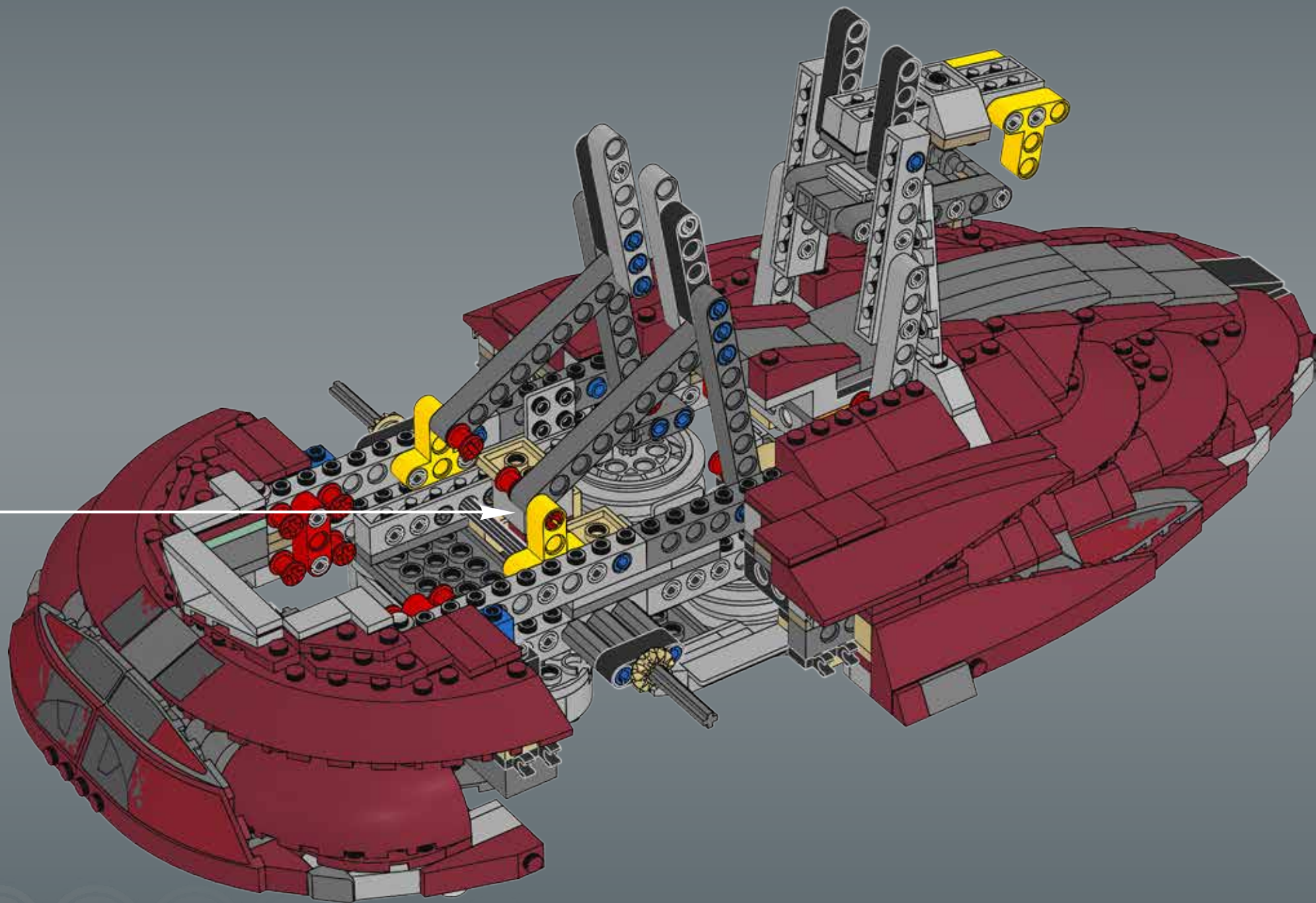


3



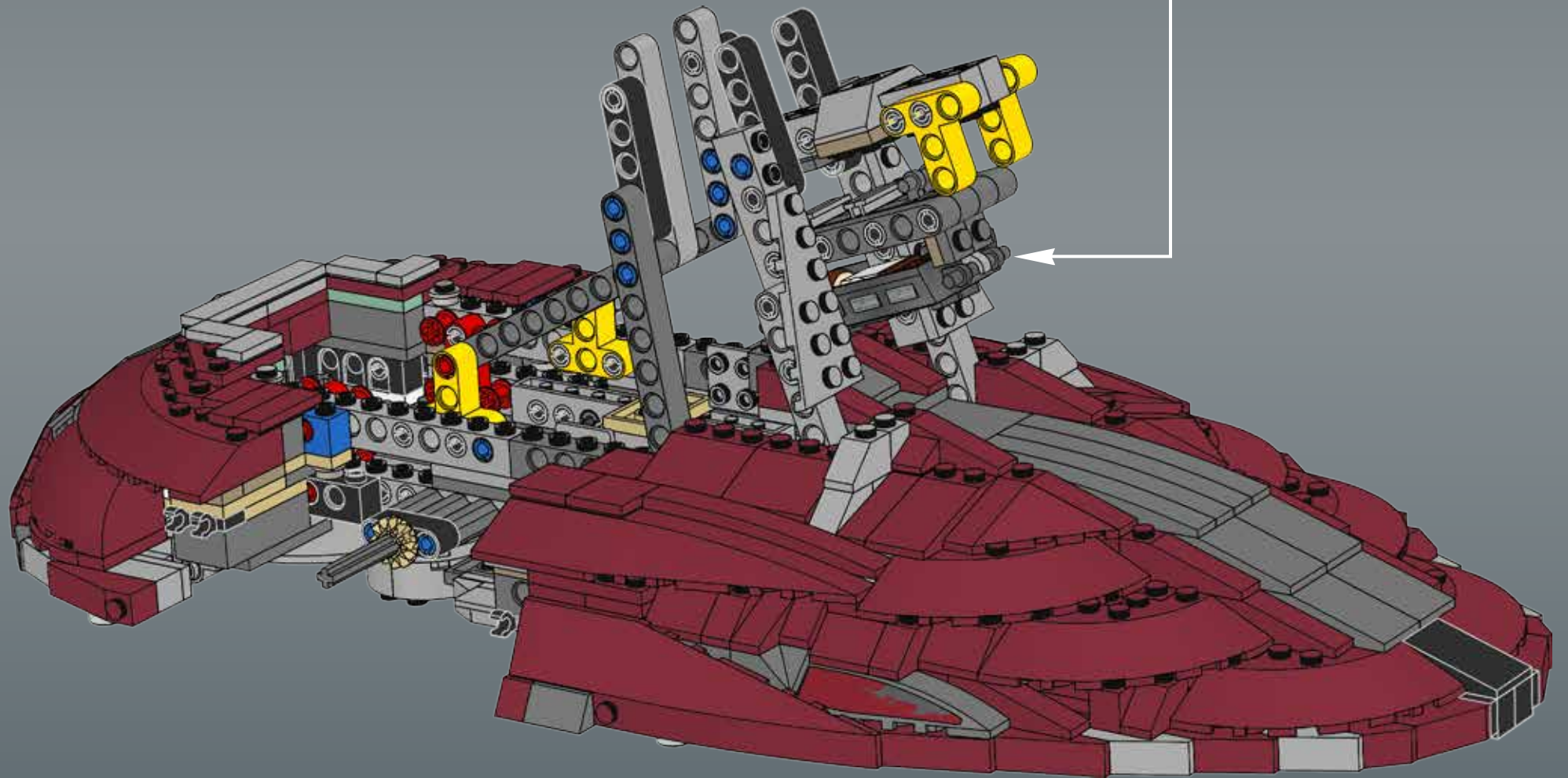
4



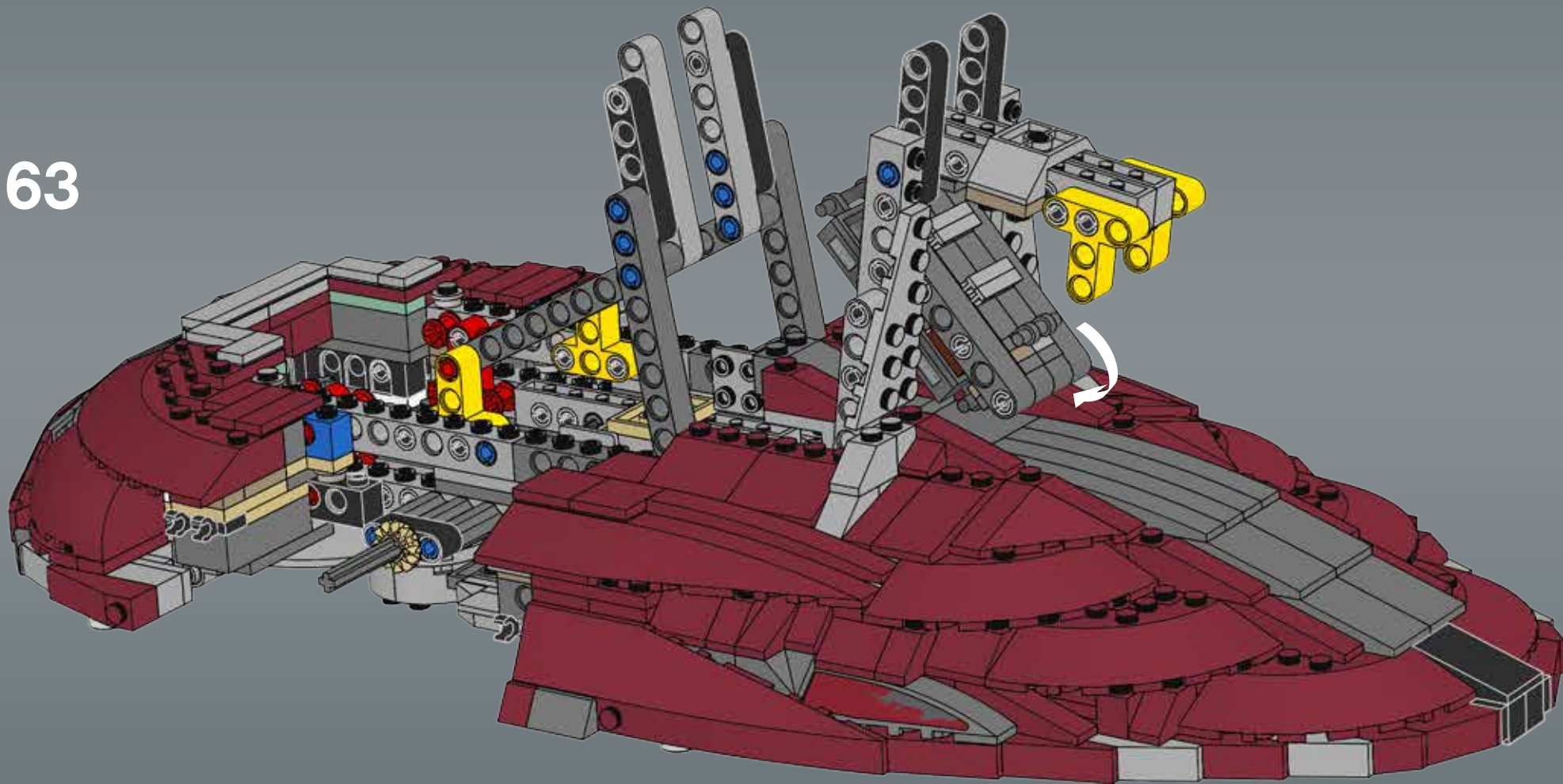


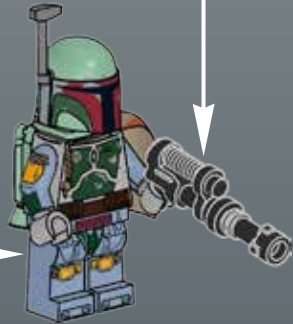
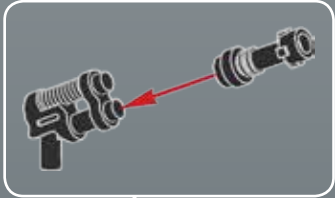
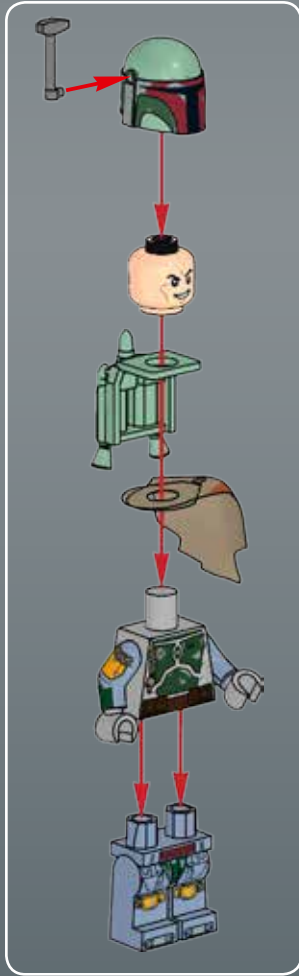
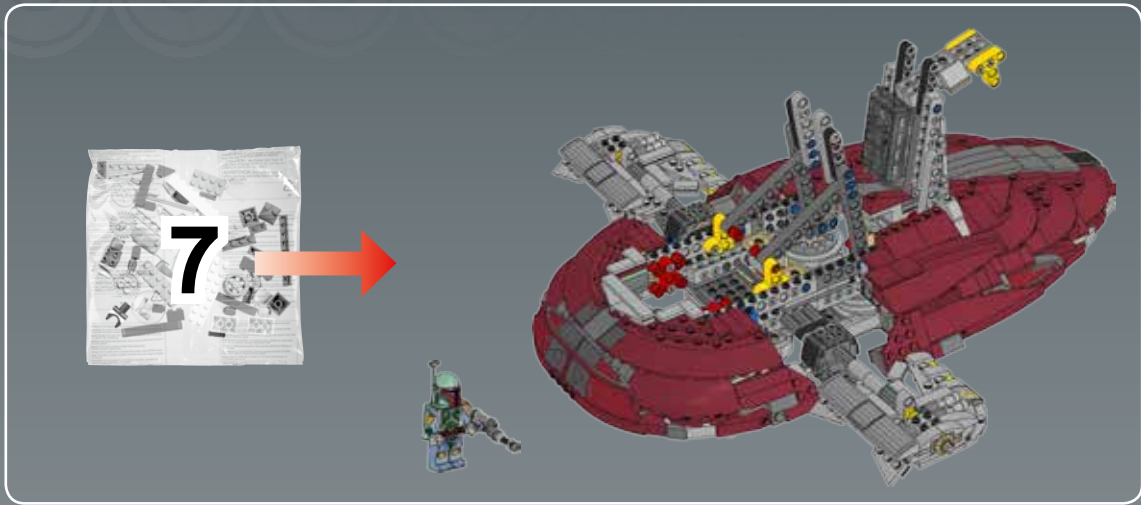


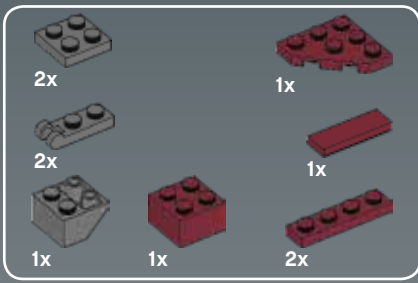
62



63

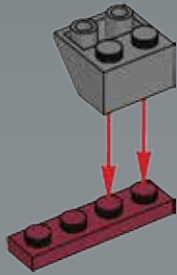




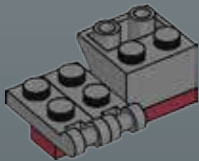


64

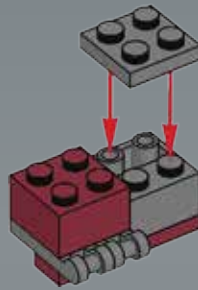
1



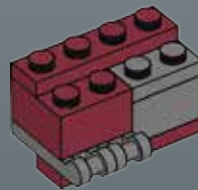
2



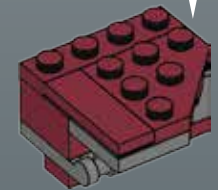
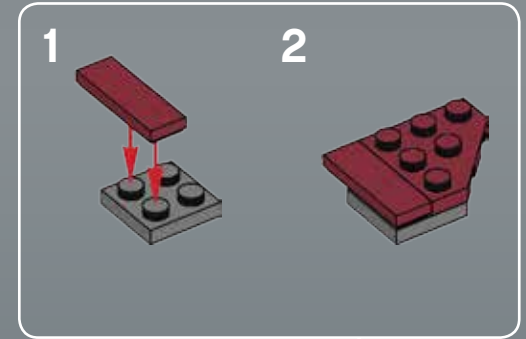
3

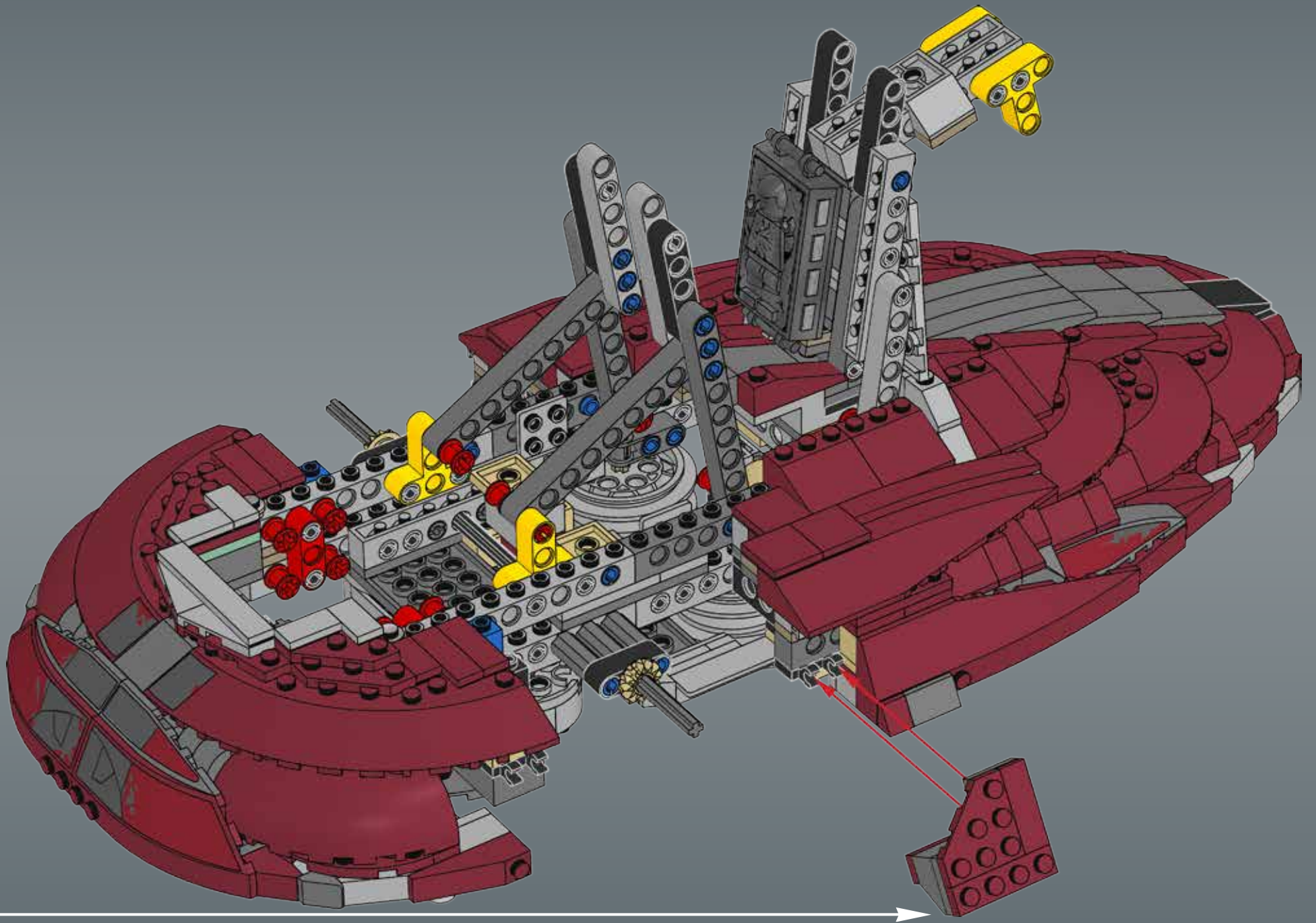


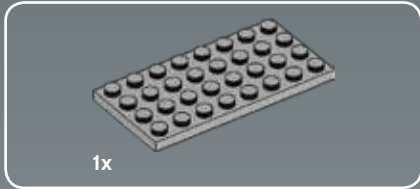
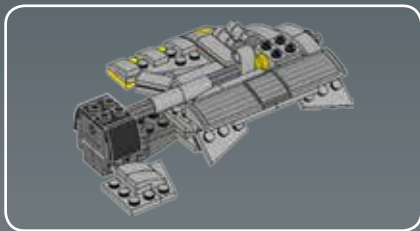
4



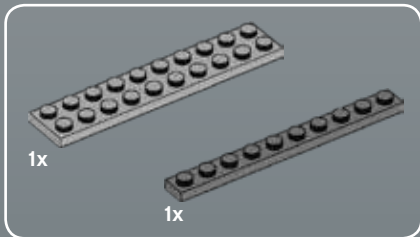
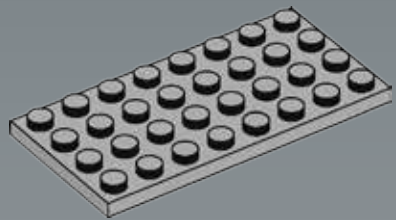
5



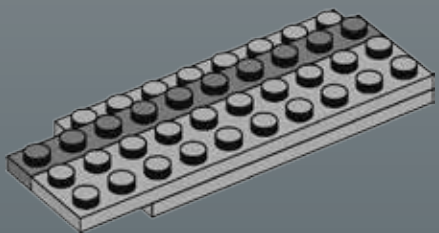




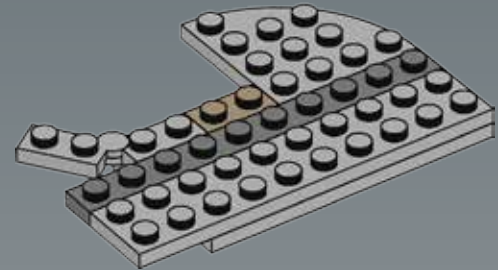
1



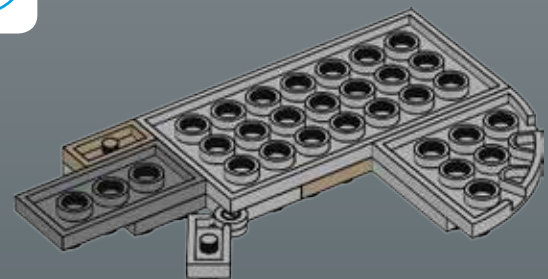
2



3



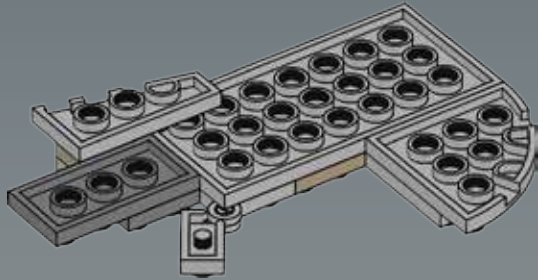
4





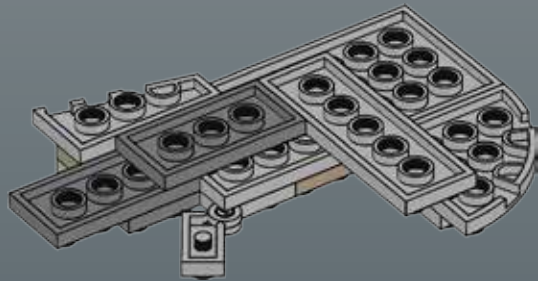
1x

5



1x

6



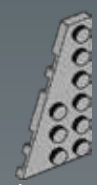
1x



3x



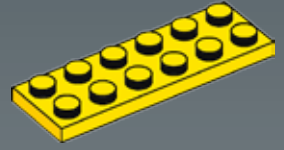
1x



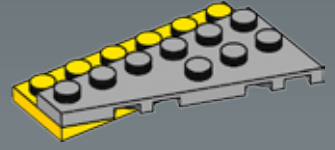
1x

7

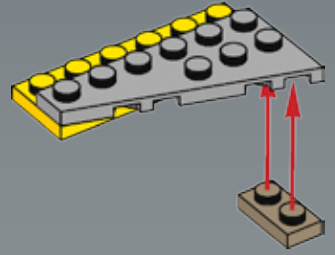
1



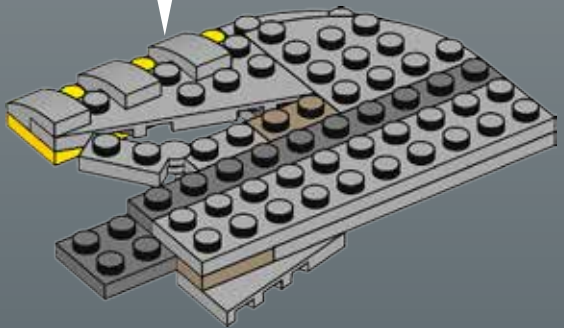
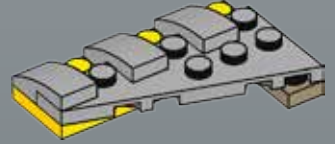
2



3

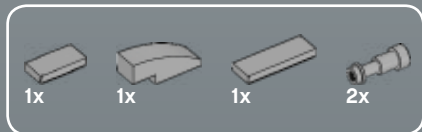
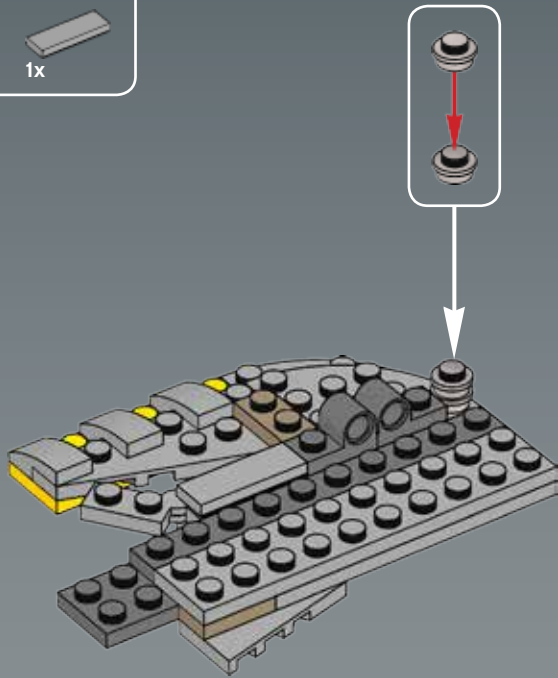


4

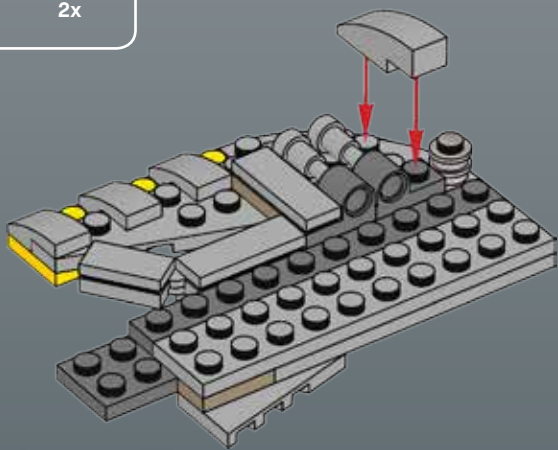




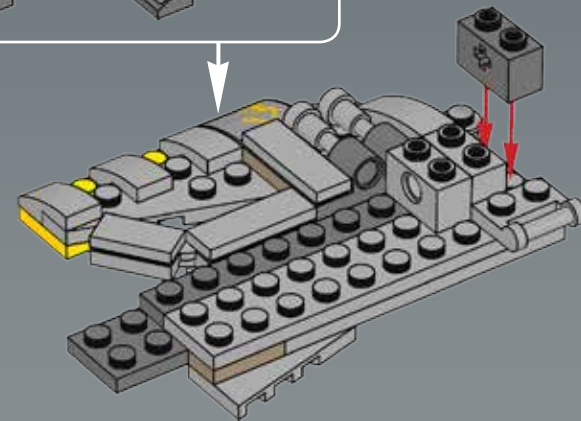
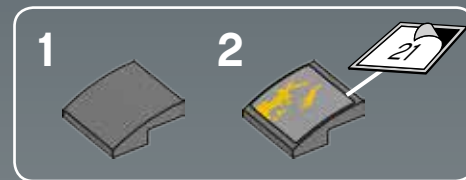
8



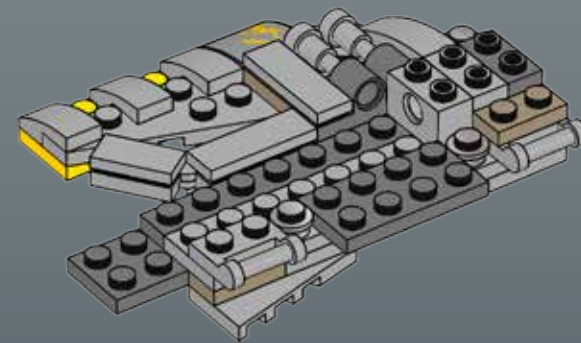
9



10

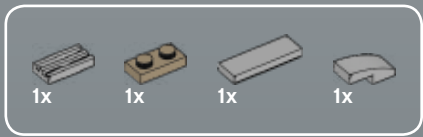
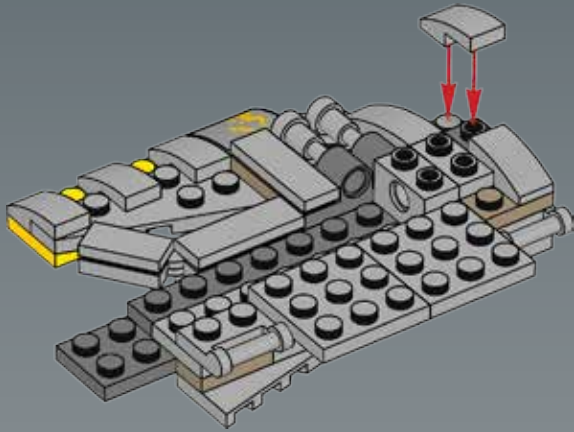


11

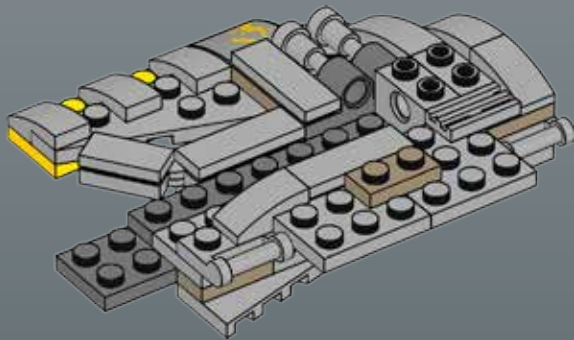




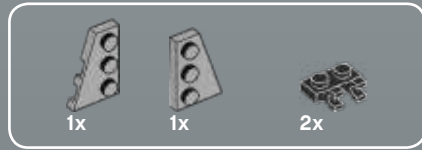
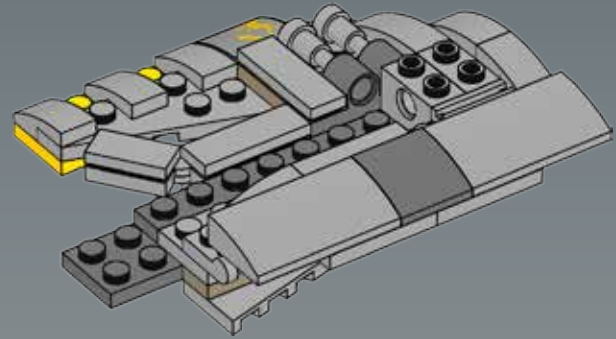
12



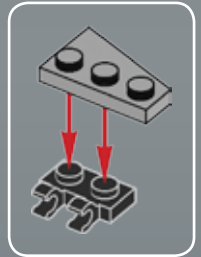
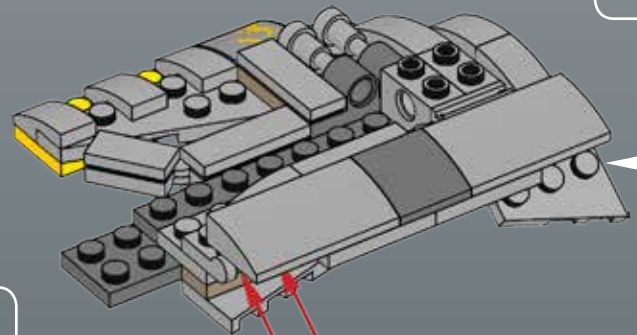
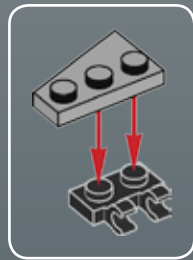
13

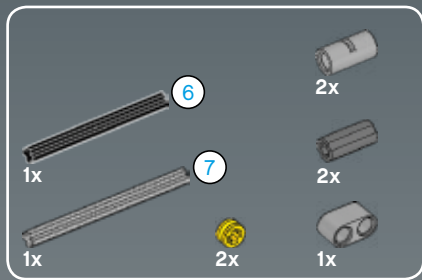


14

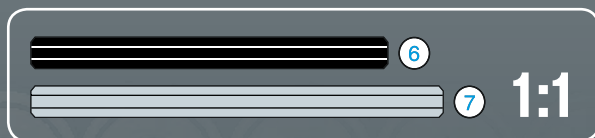
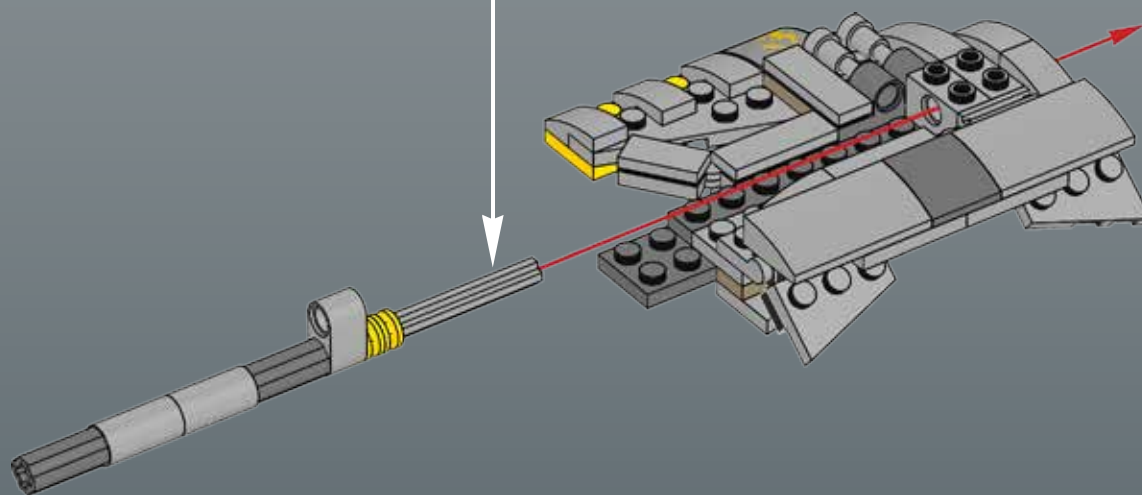
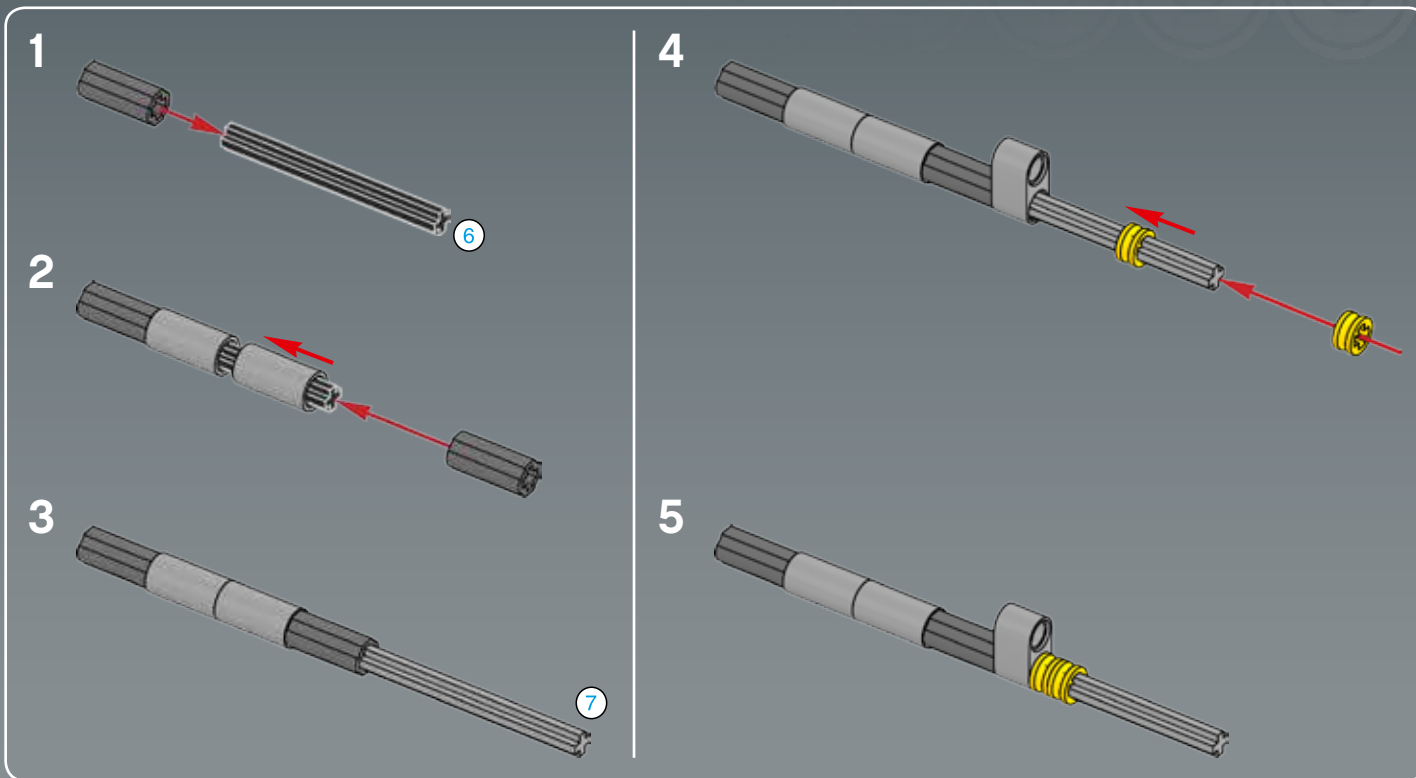


15





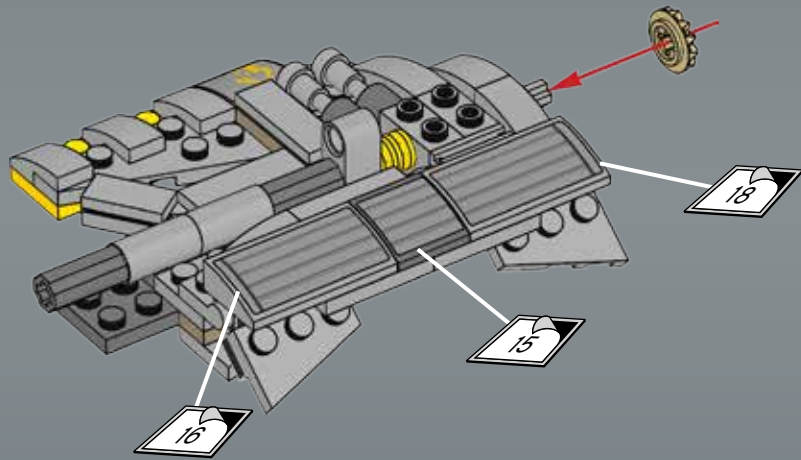
16





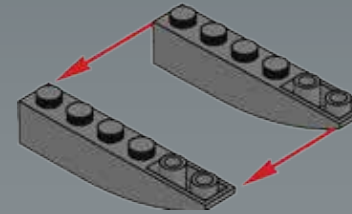
1x

17



2x

1

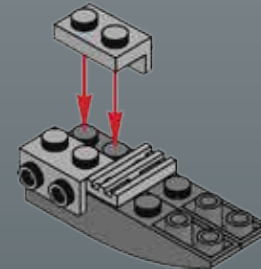


1x



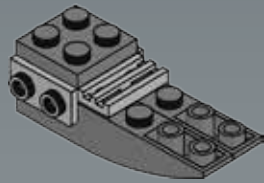
2x

2

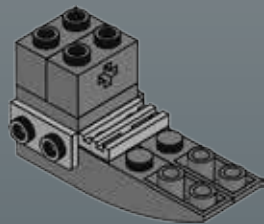




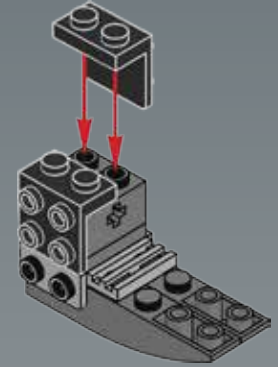
3



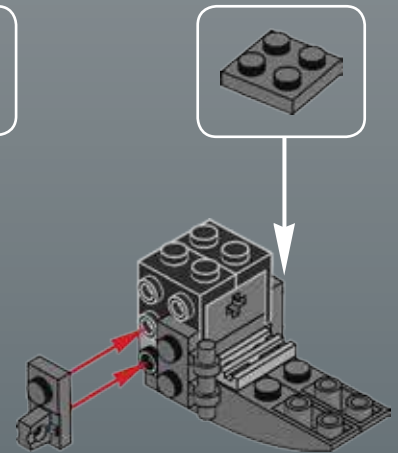
4



5

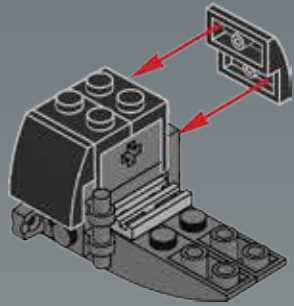


6

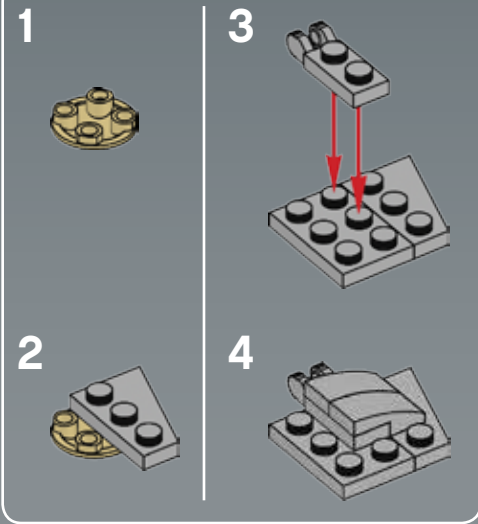




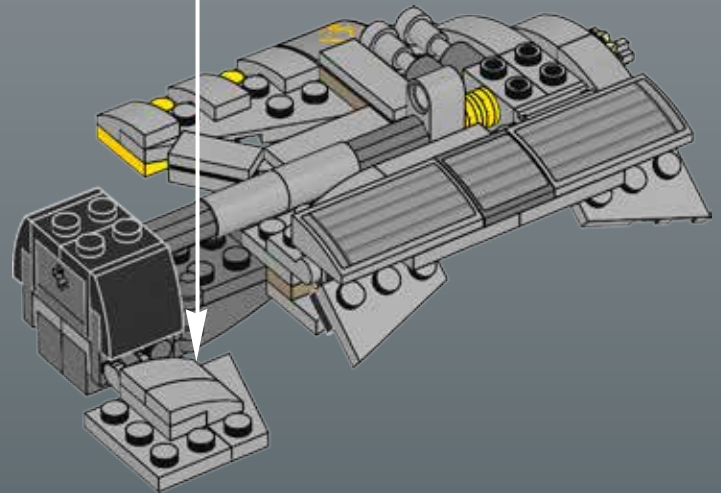
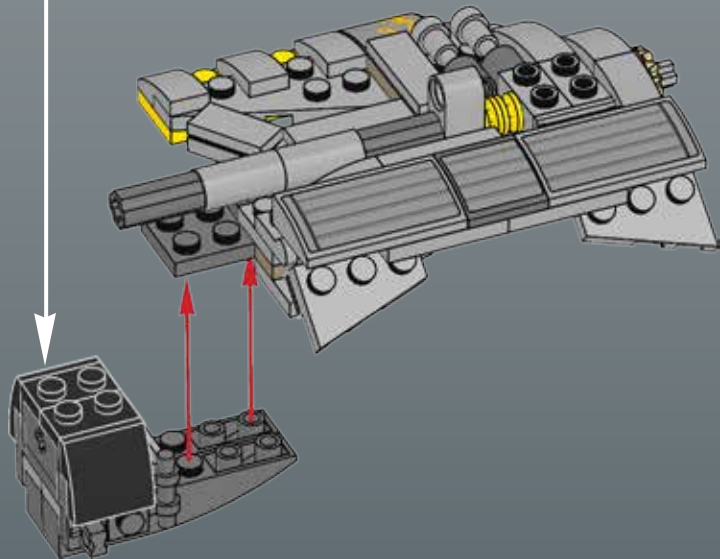
7



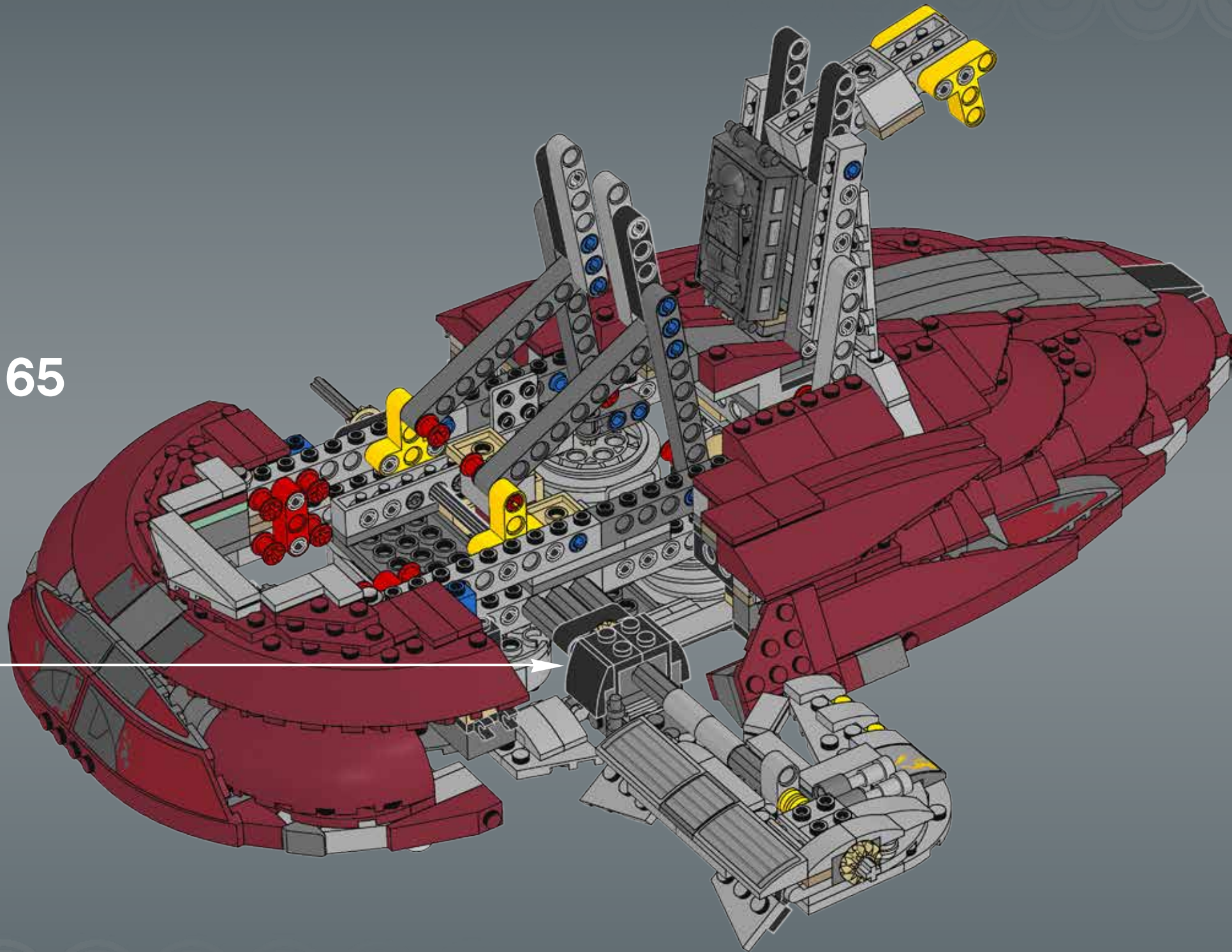
19

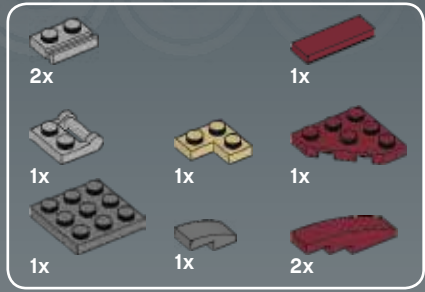


18



65





66

1



2



3



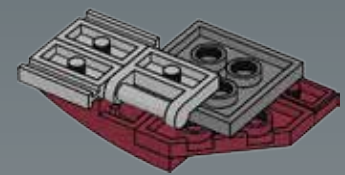
4



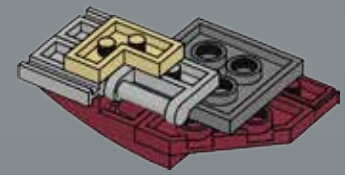
5



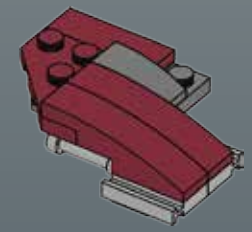
6

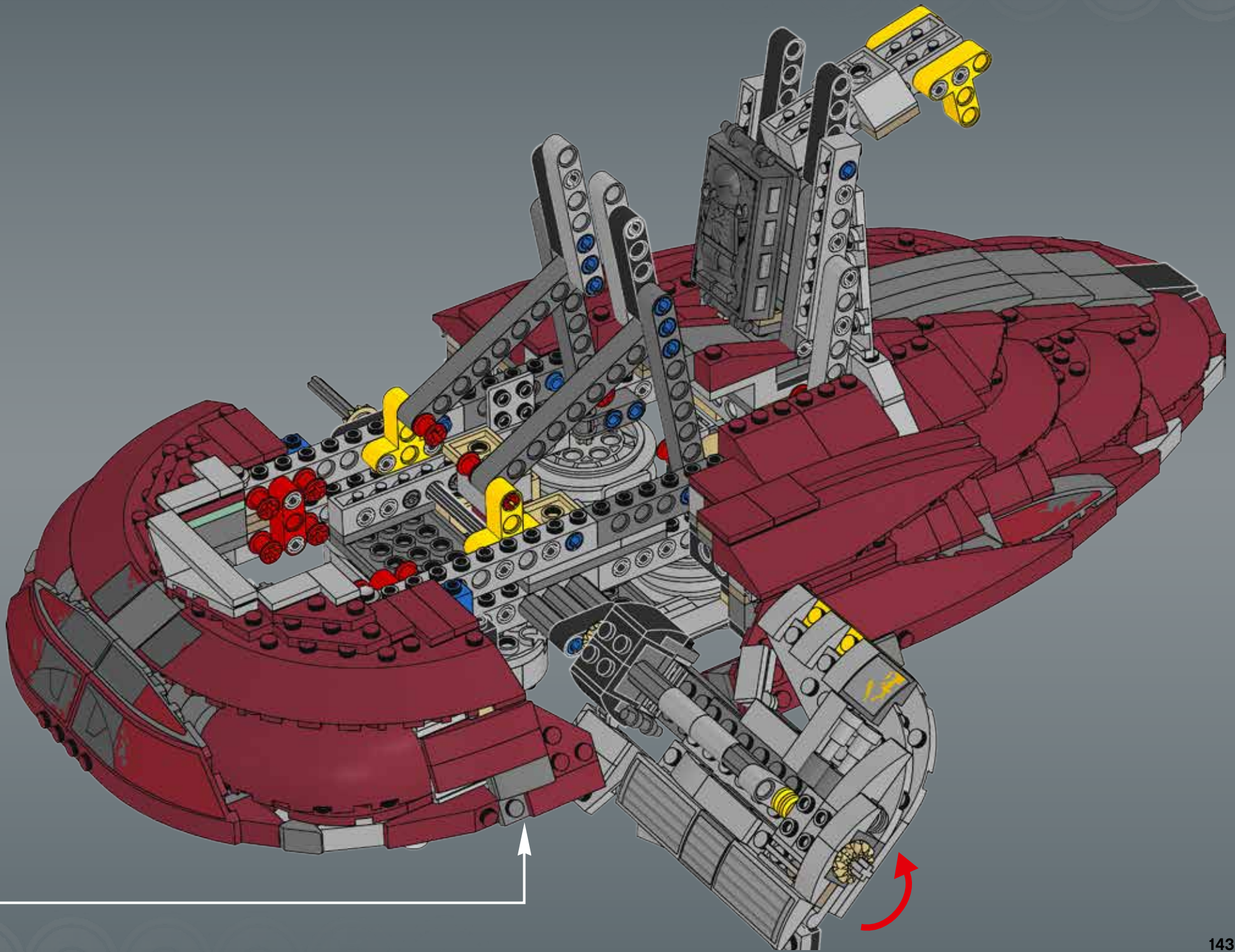


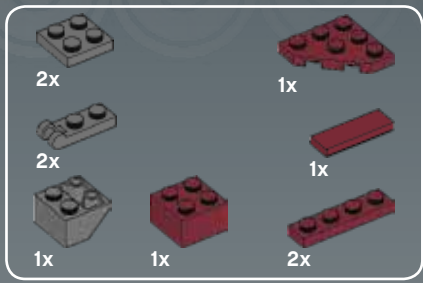
7



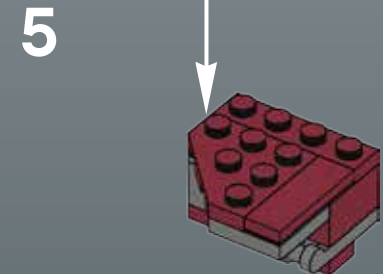
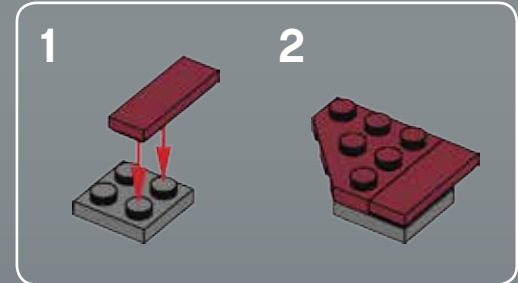
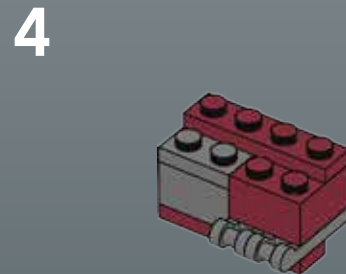
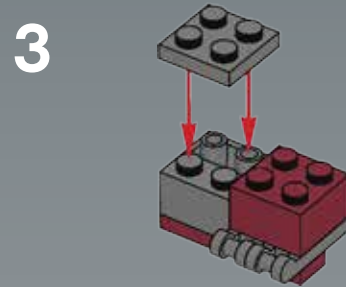
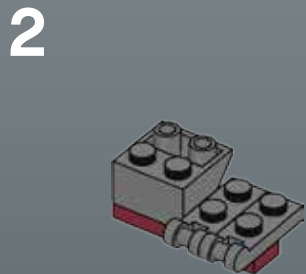
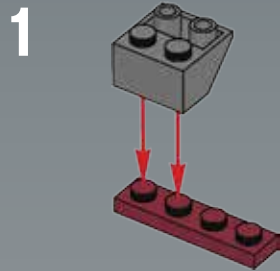
8

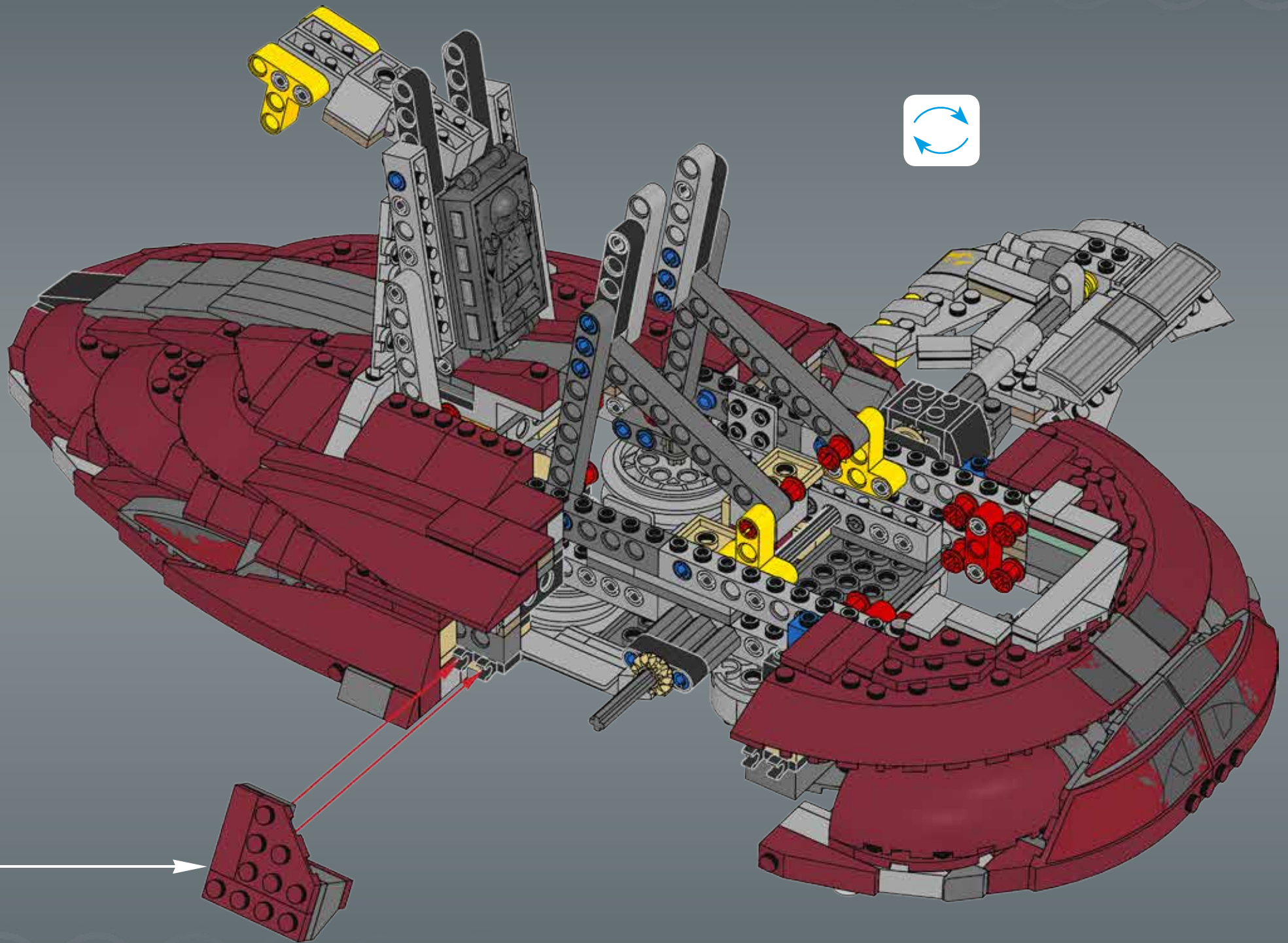


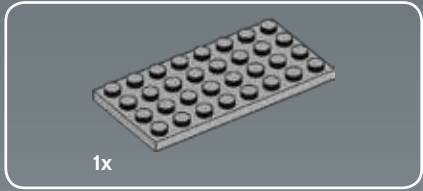
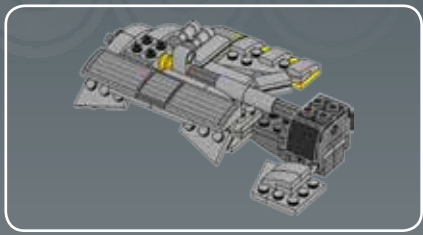




67

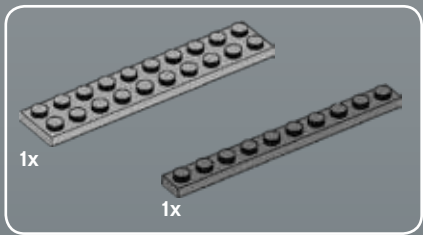
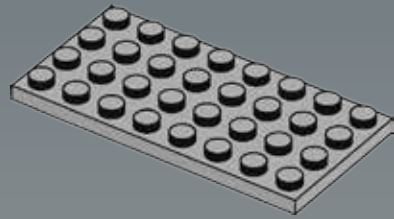






1x

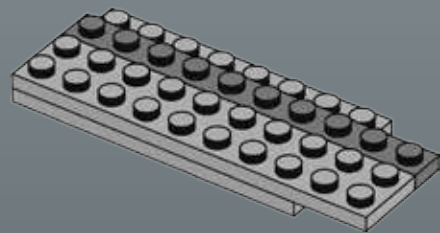
1



1x

1x

2

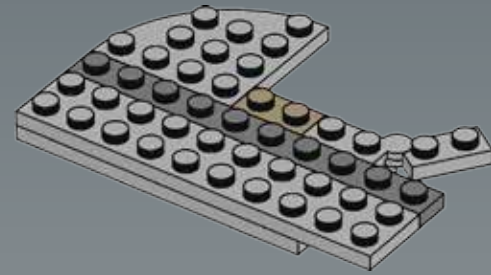


1x

1x

1x

3

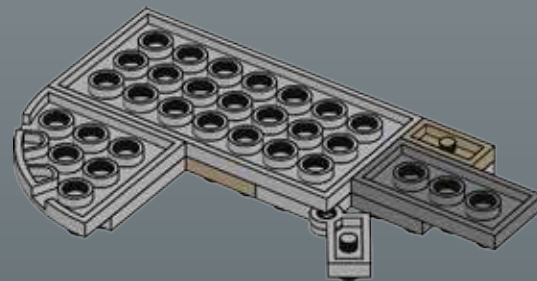


1x

1x

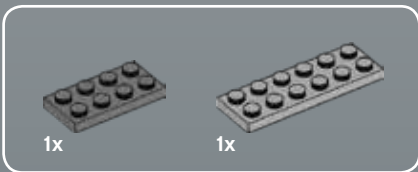
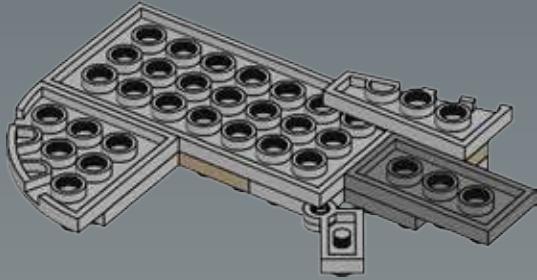
1x

4

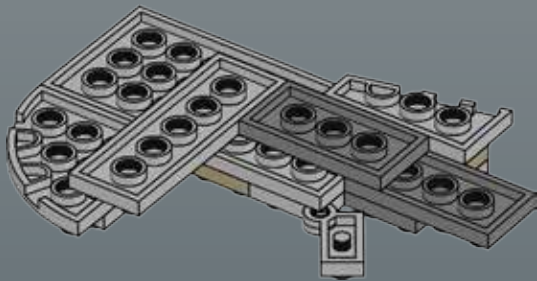




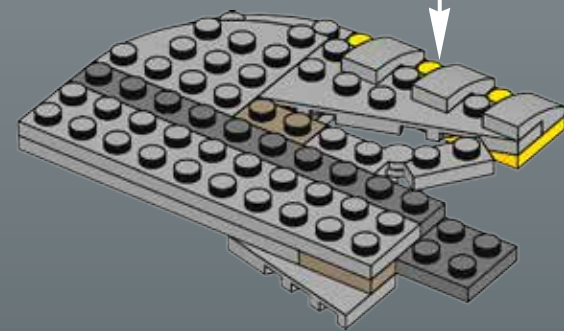
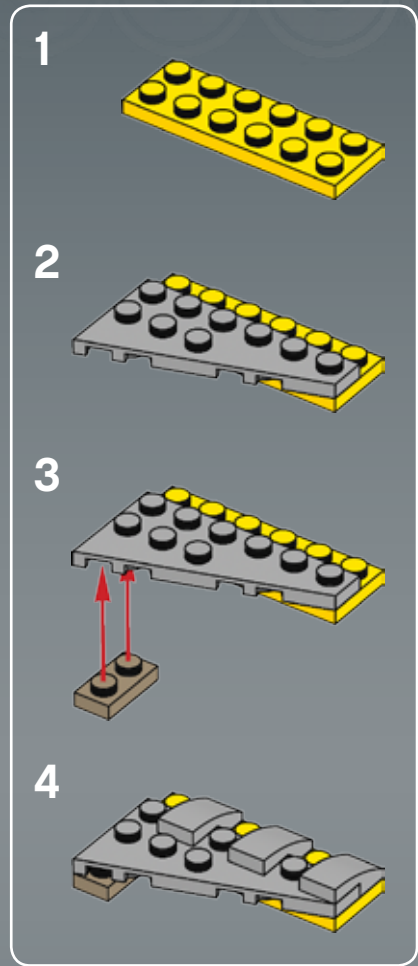
5



6

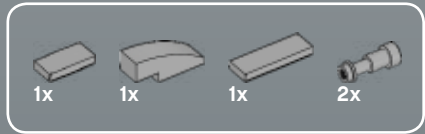
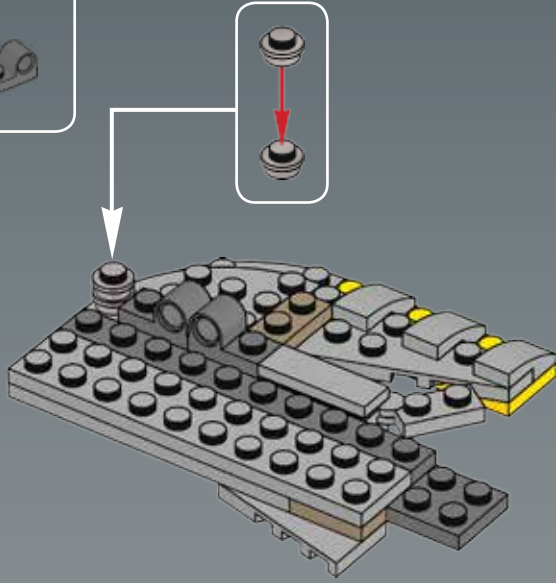


7

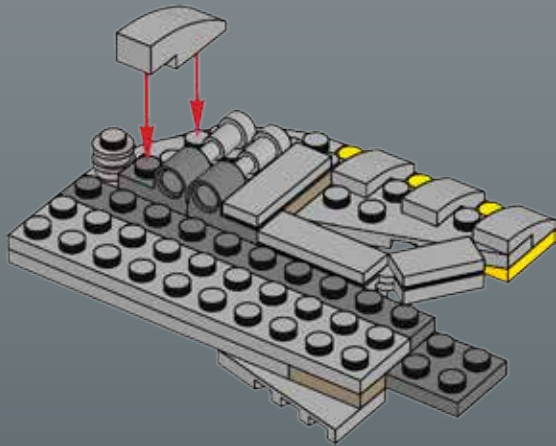




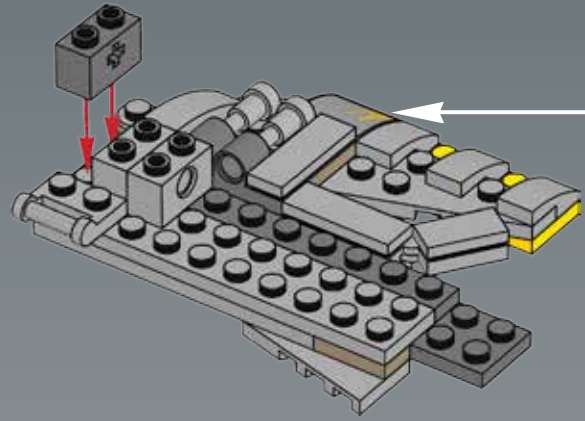
8



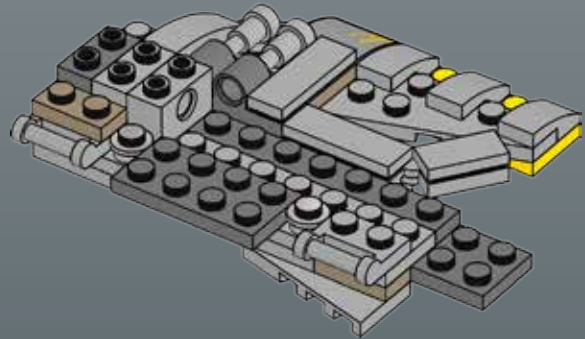
9



10

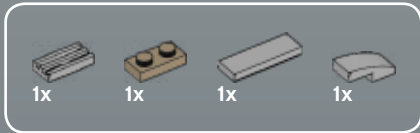
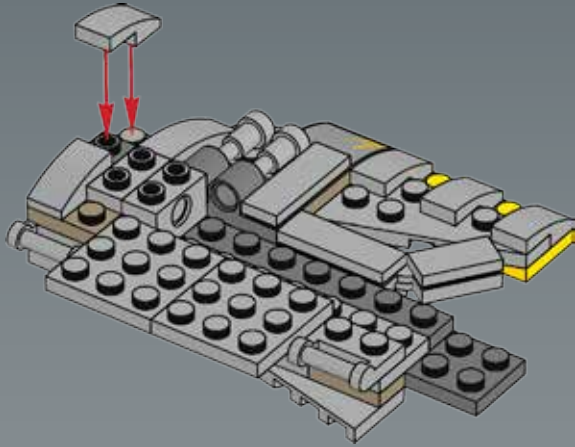


11

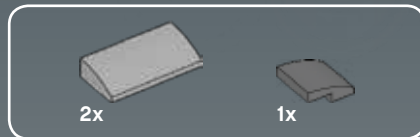
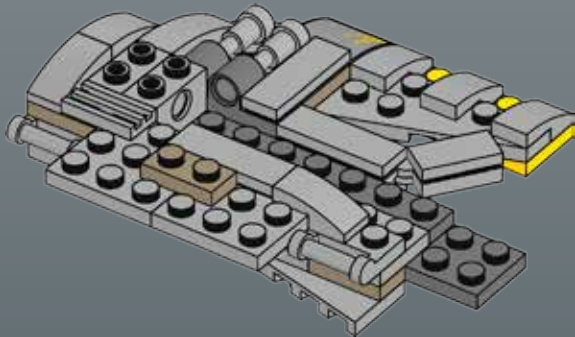




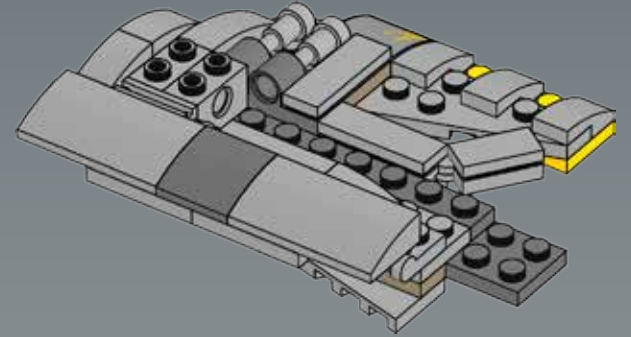
12



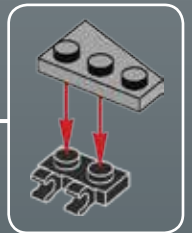
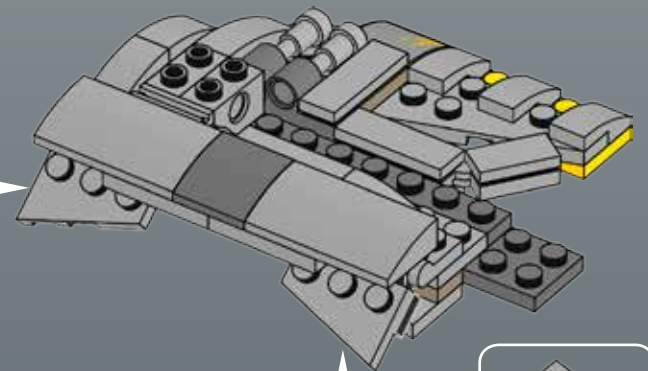
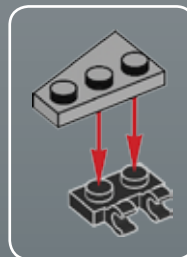
13

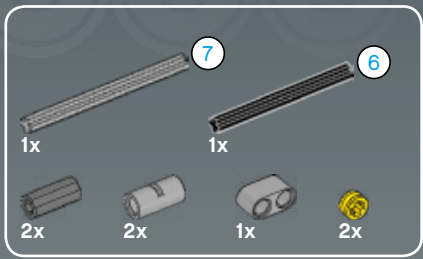


14

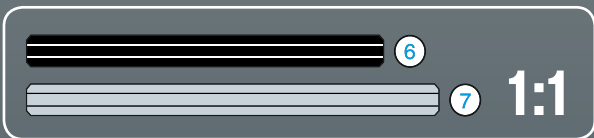
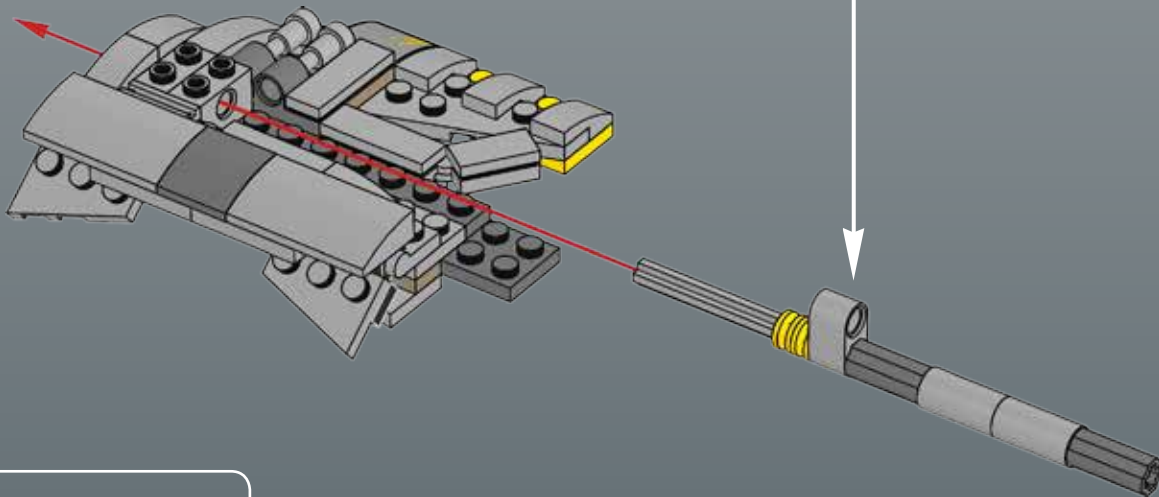
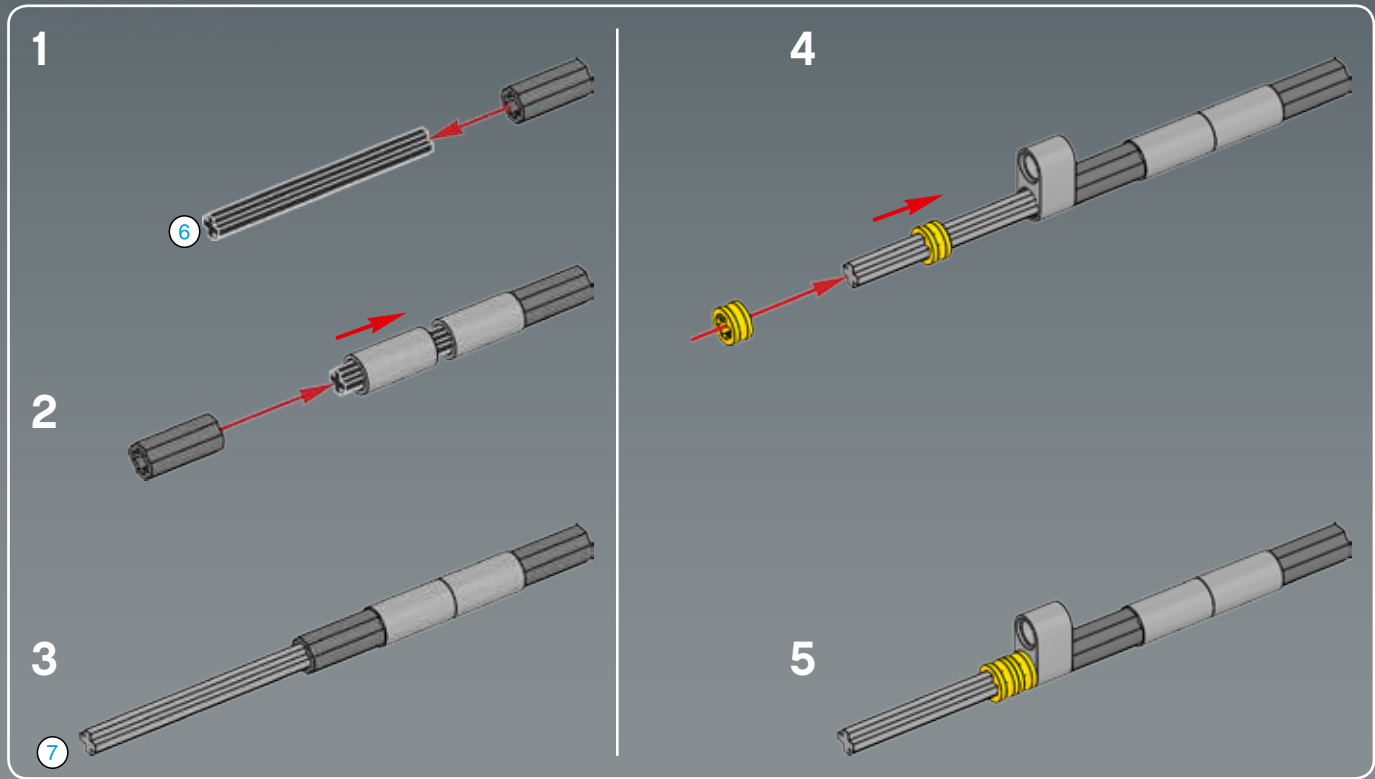


15





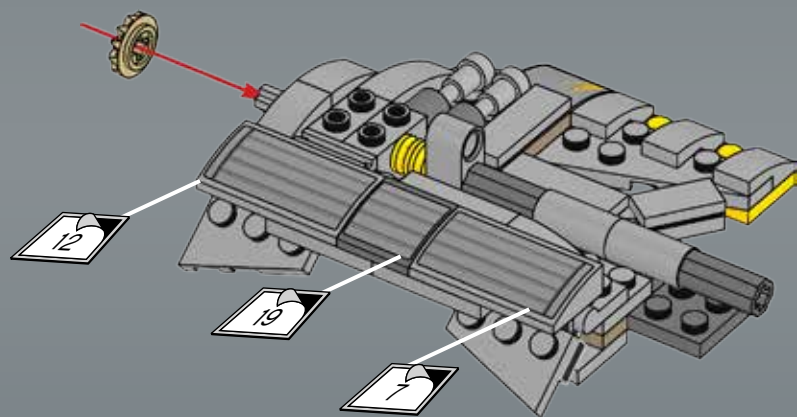
16





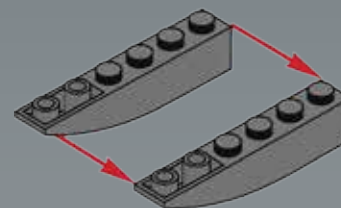
1x

17



2x

1

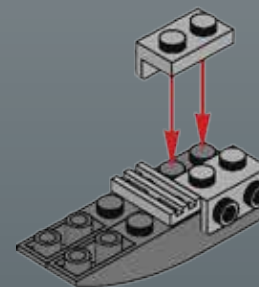


1x



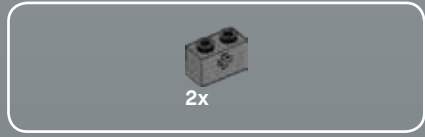
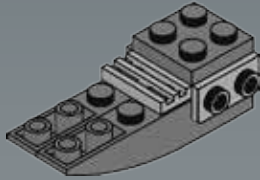
2x

2

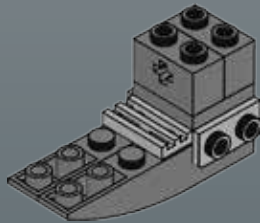




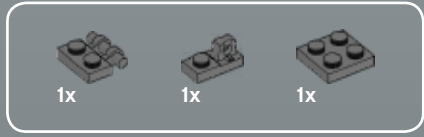
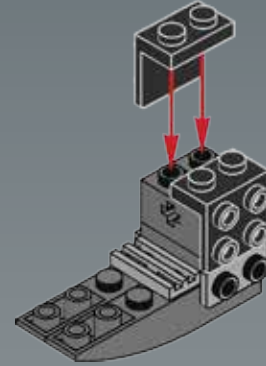
3



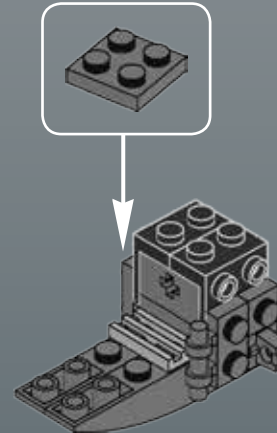
4



5

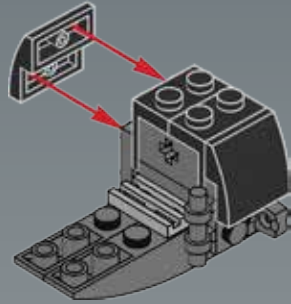


6

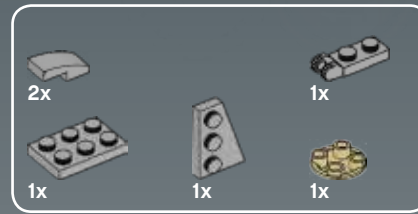
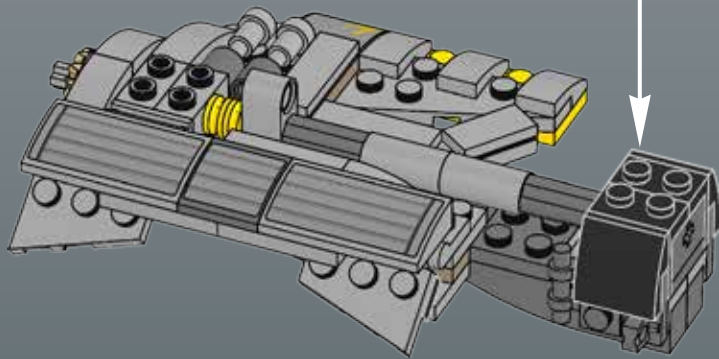




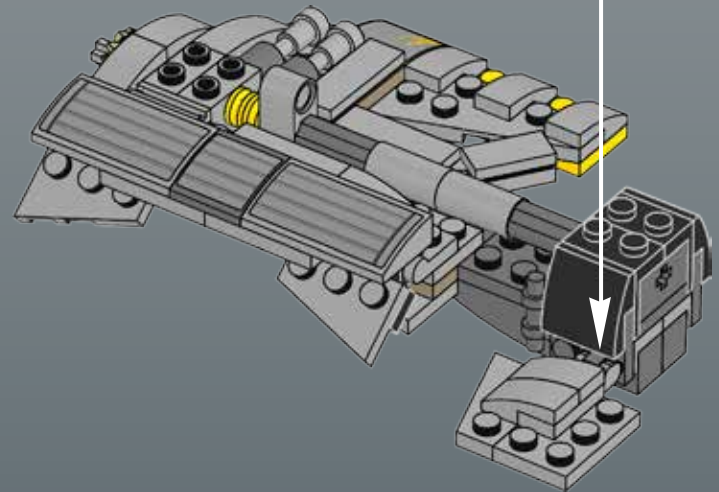
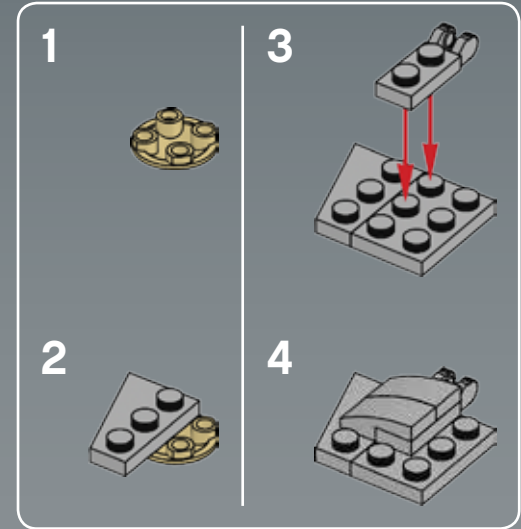
7



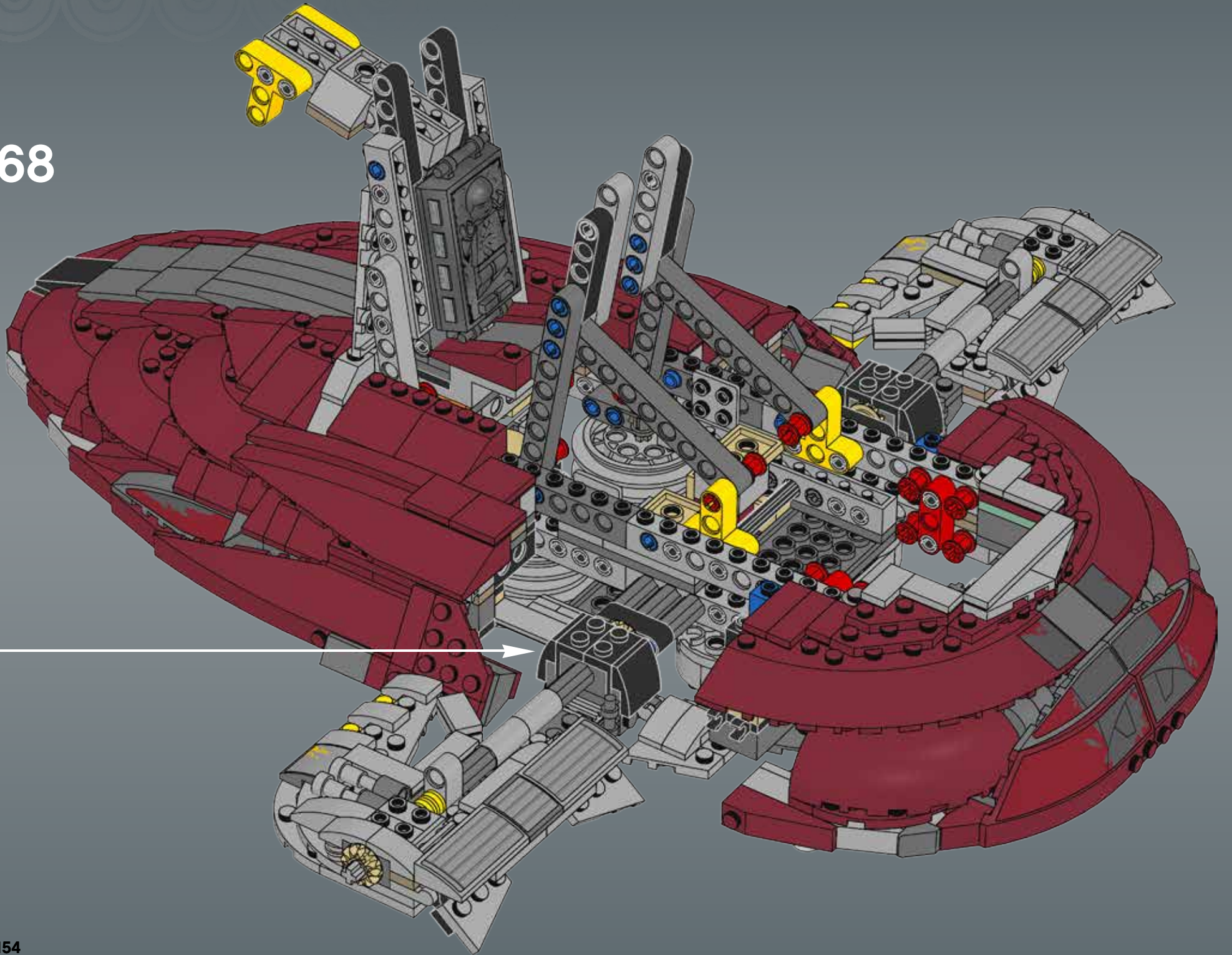
18

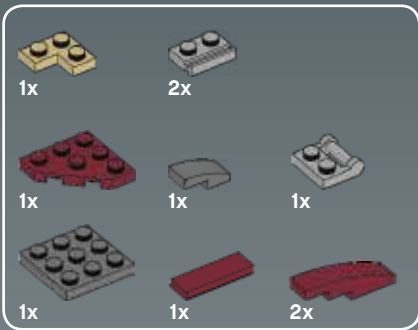


19



68





69

1



2



3



4



5



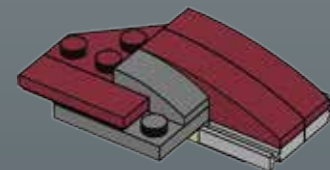
6

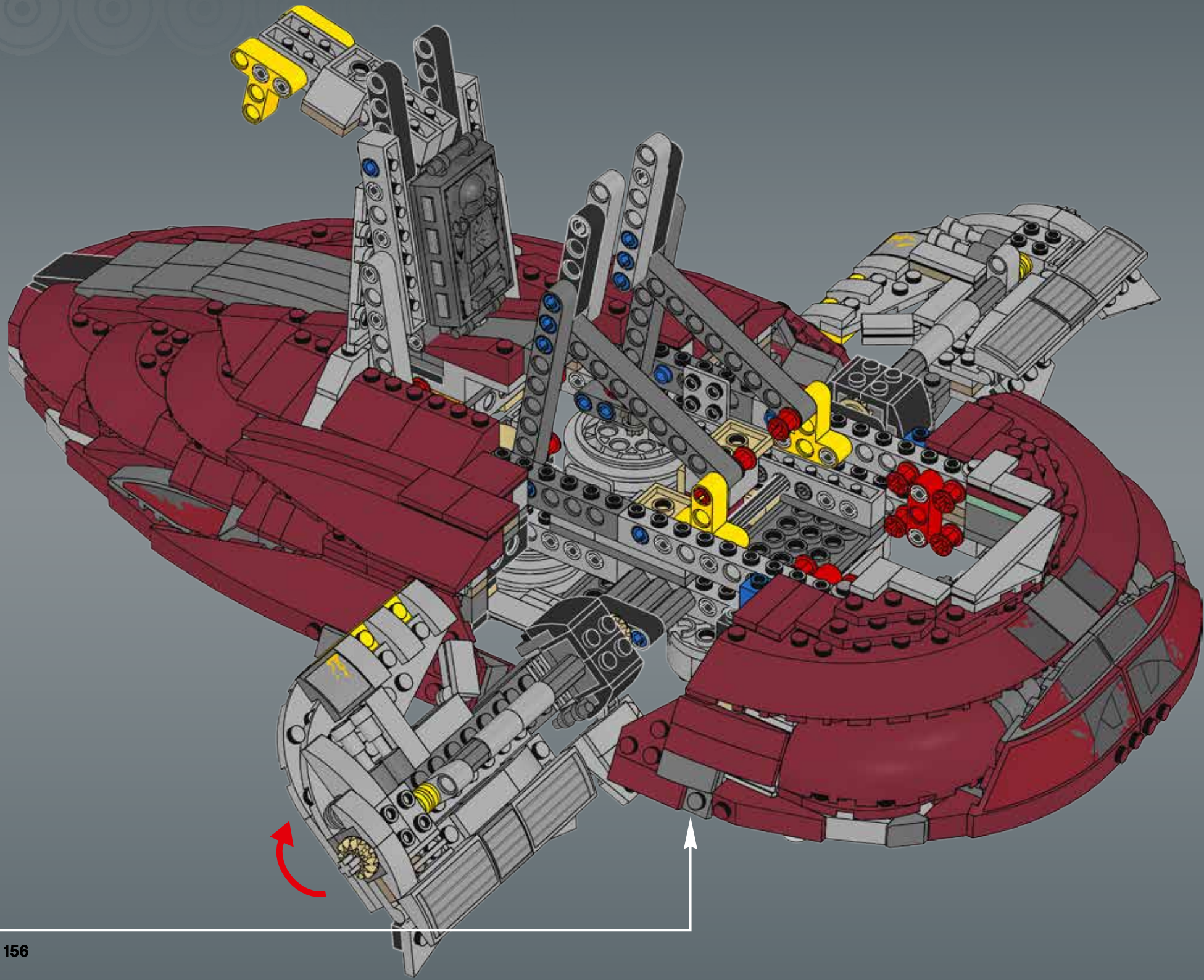


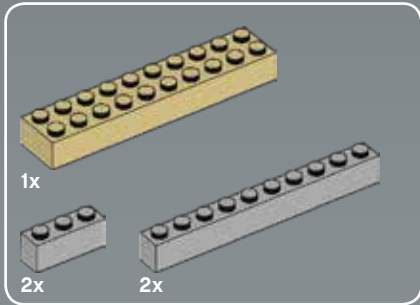
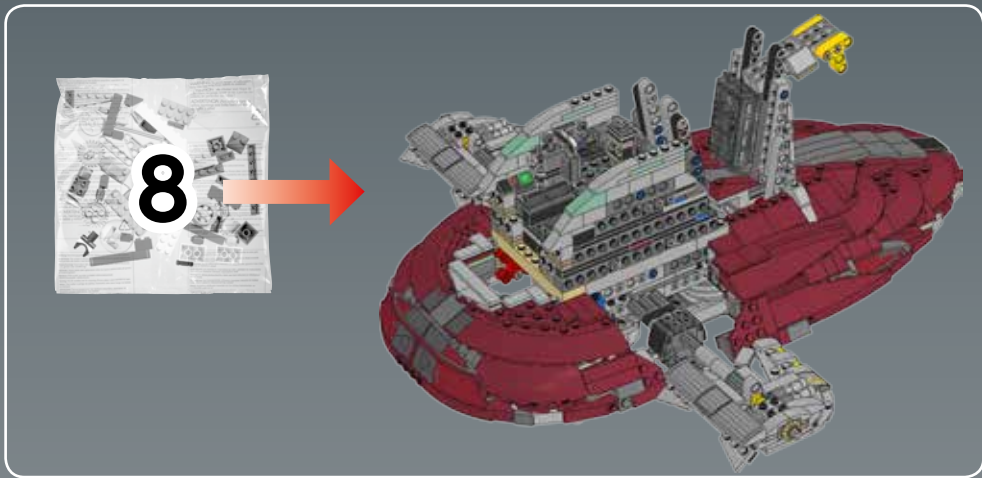
7



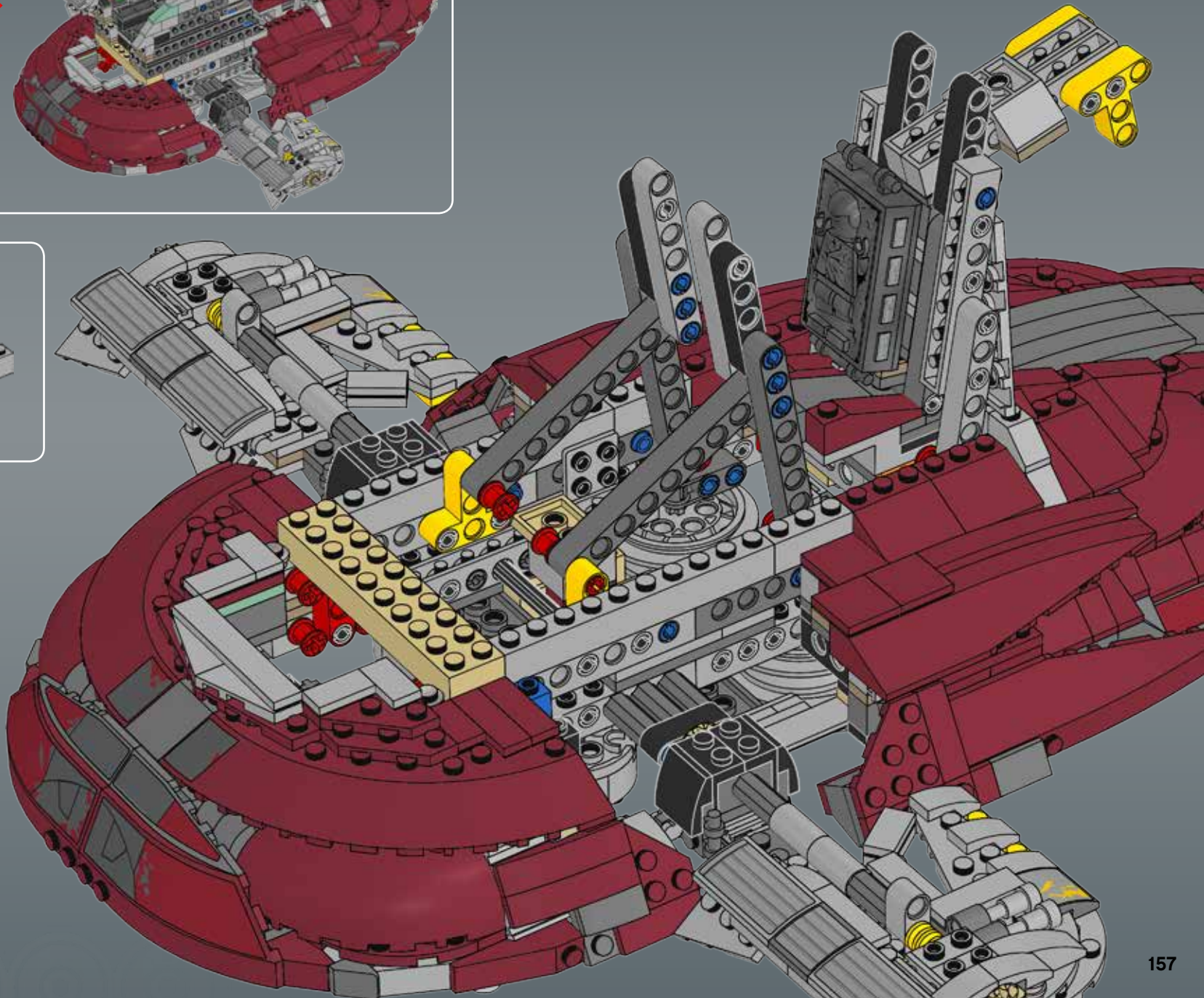
8





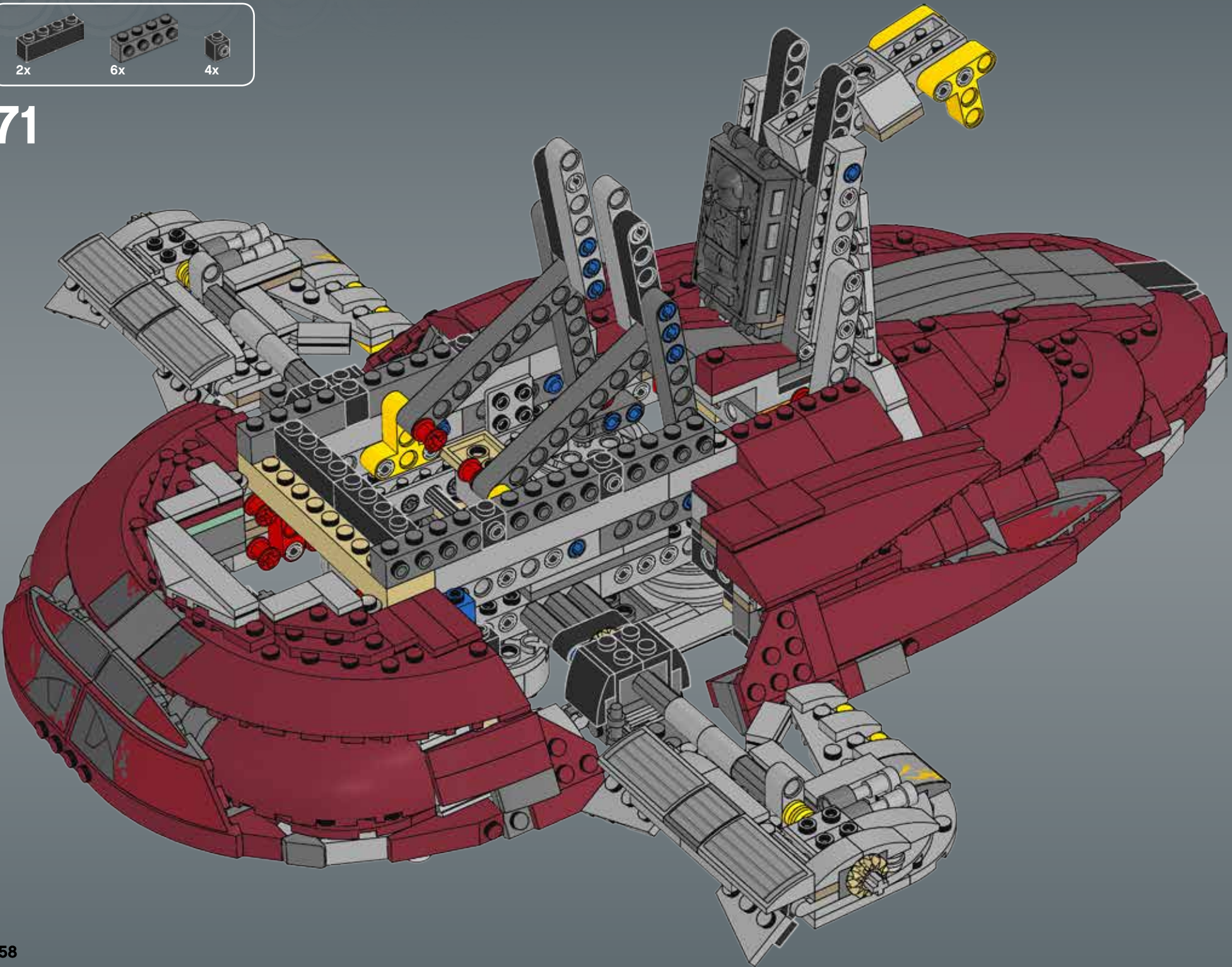


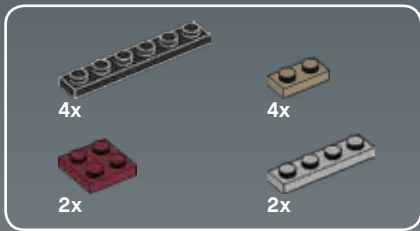
70



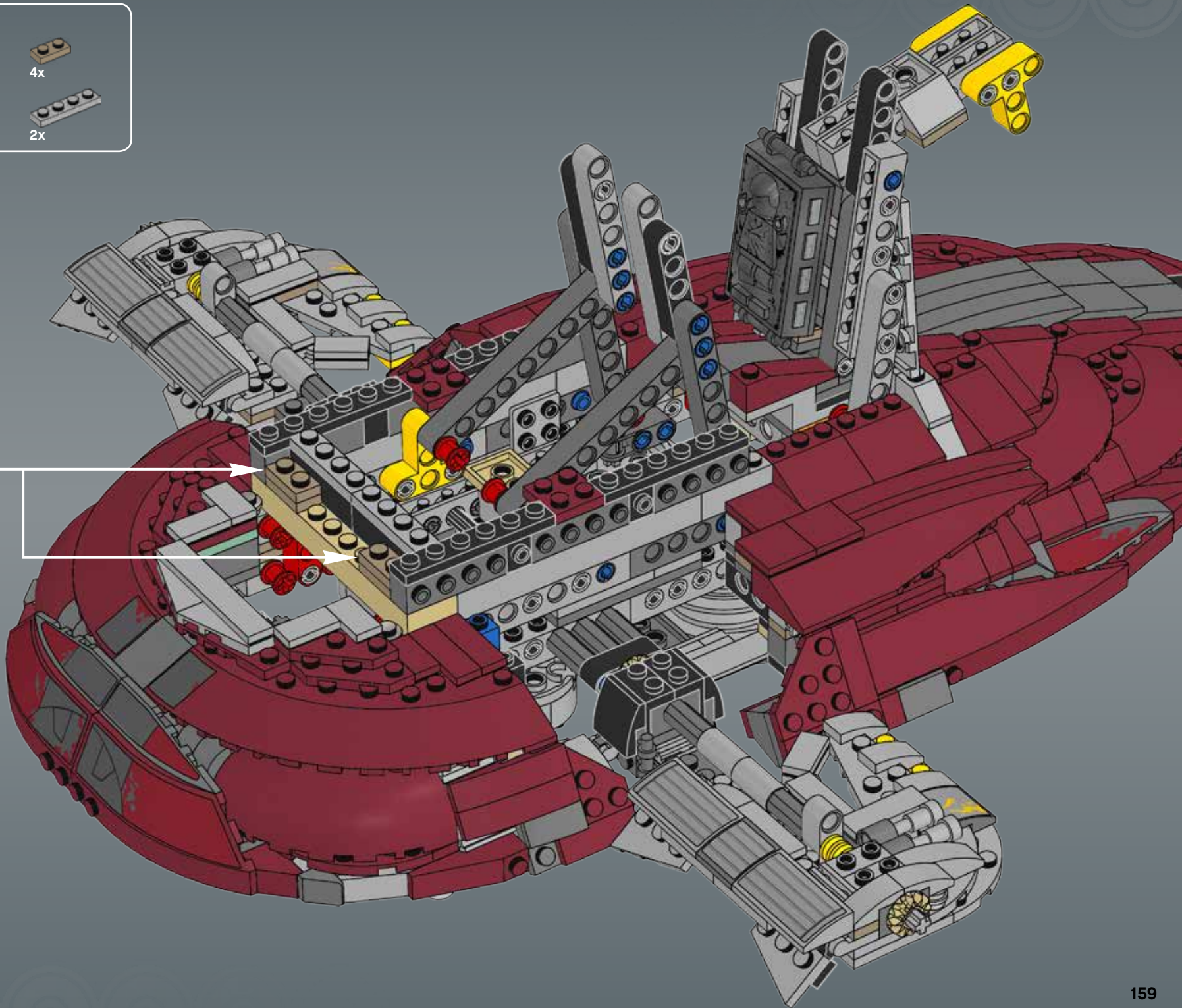
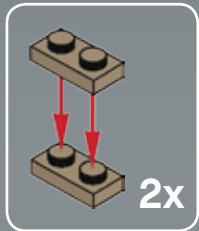
2x 6x 4x

71



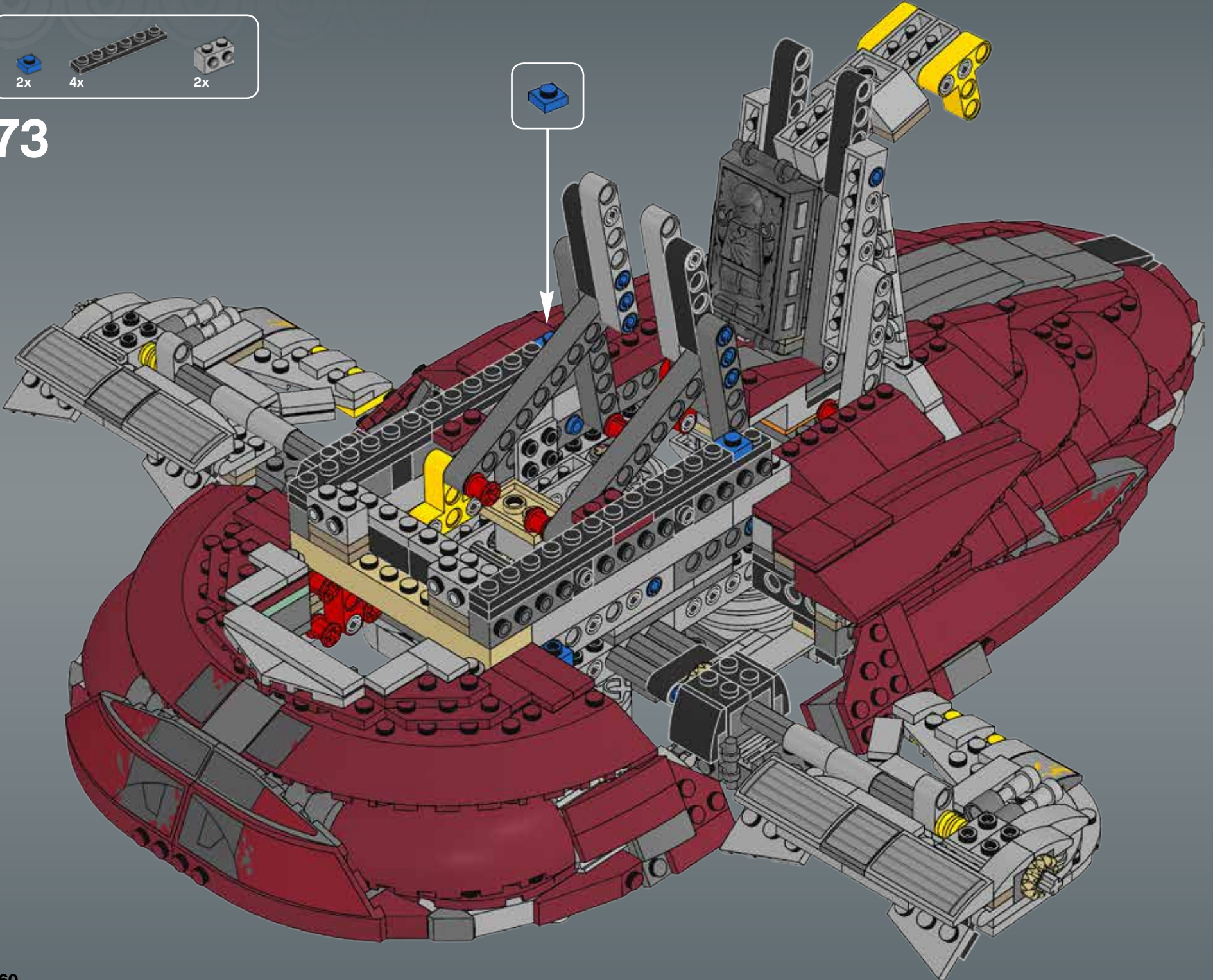


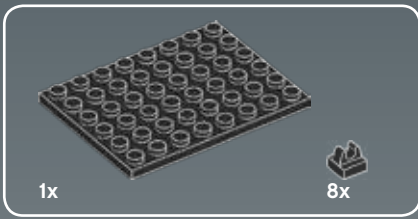
72



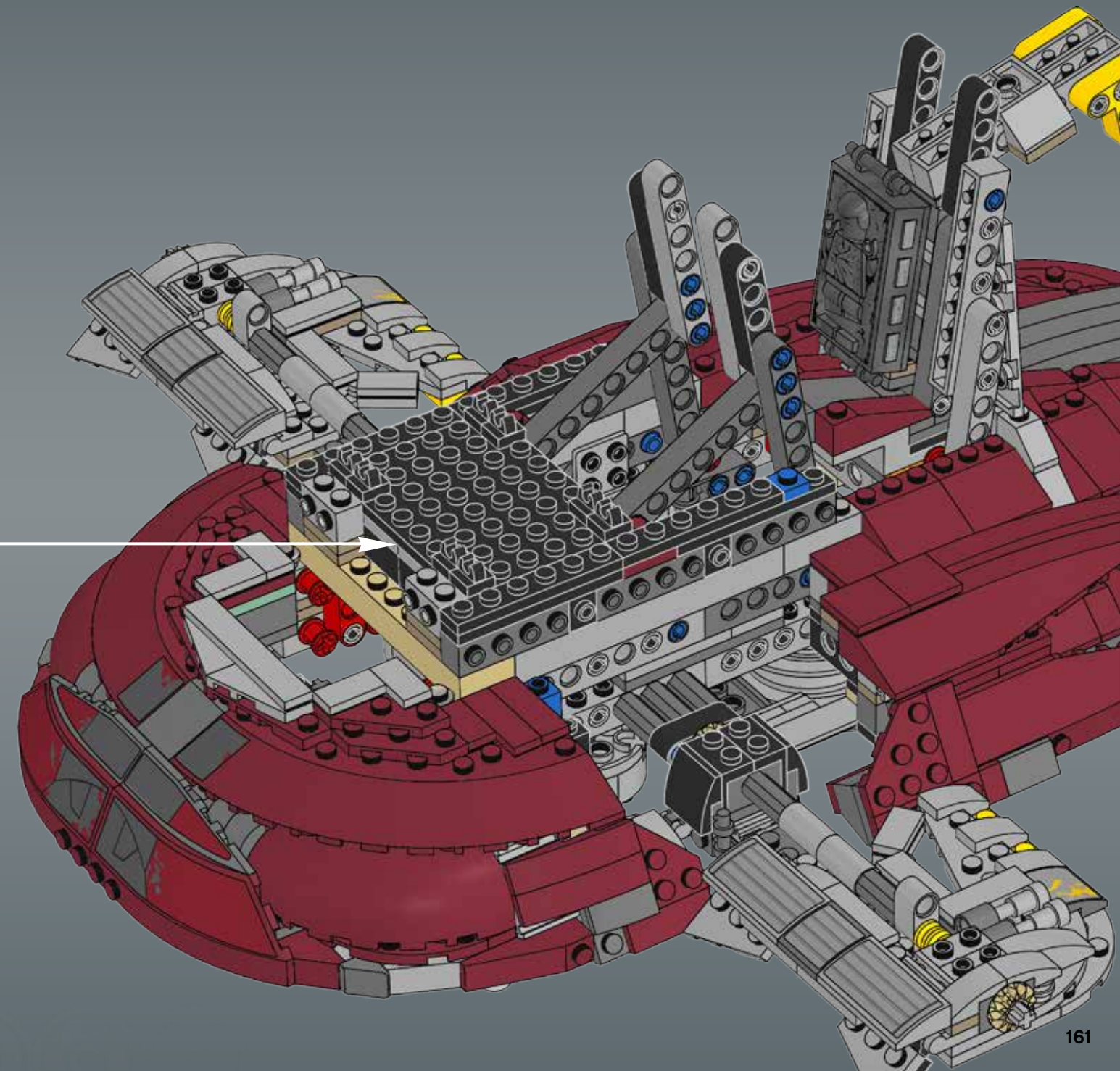
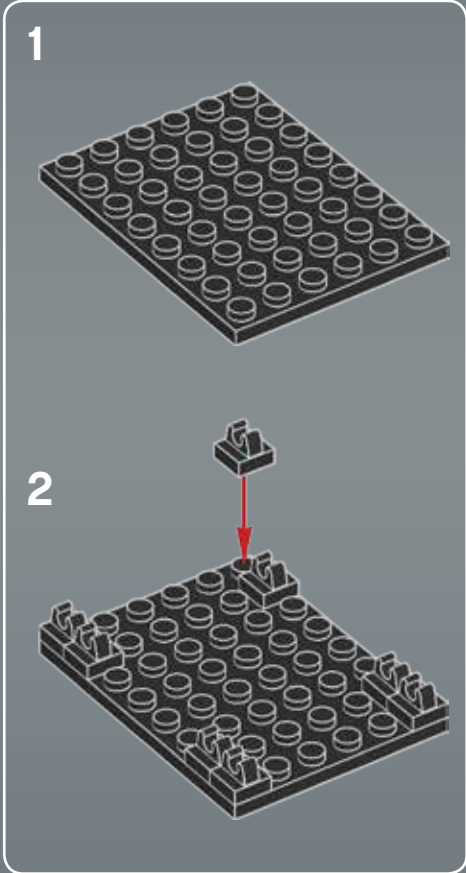
2x 4x 2x

73



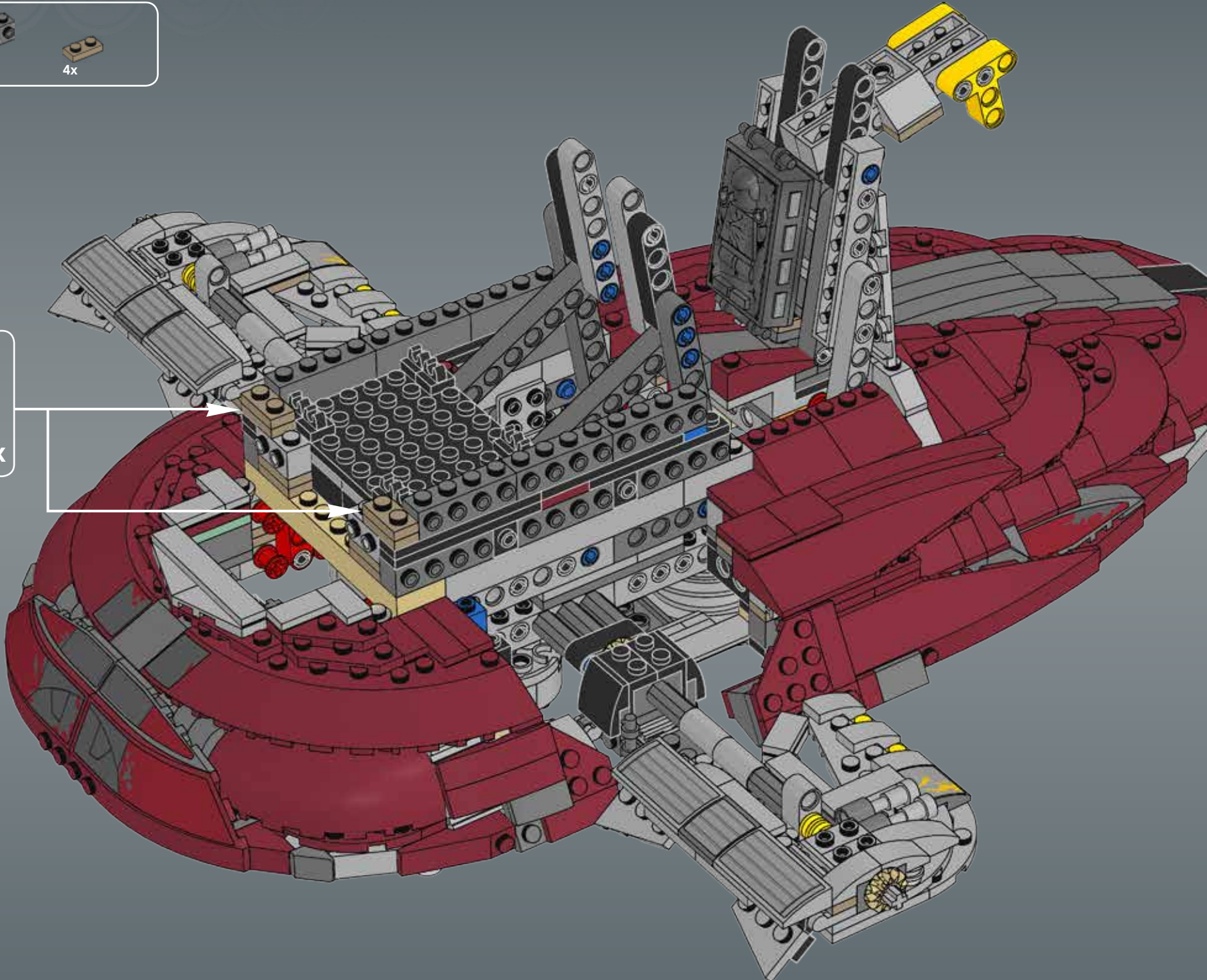
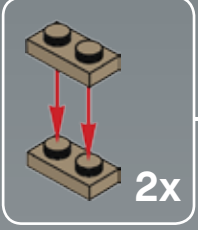


74



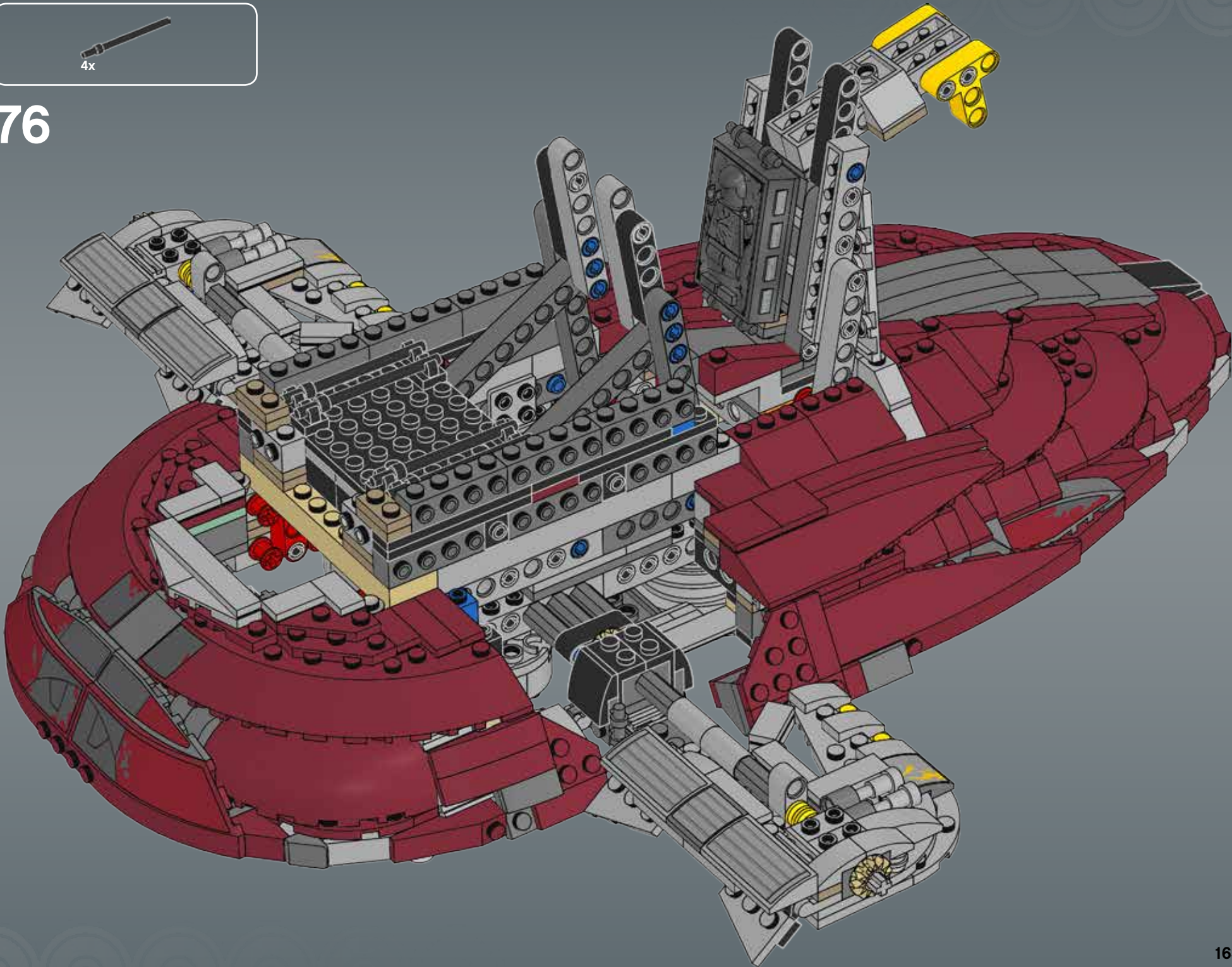


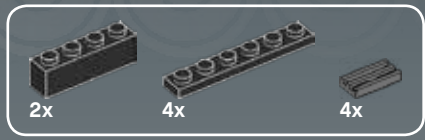
75



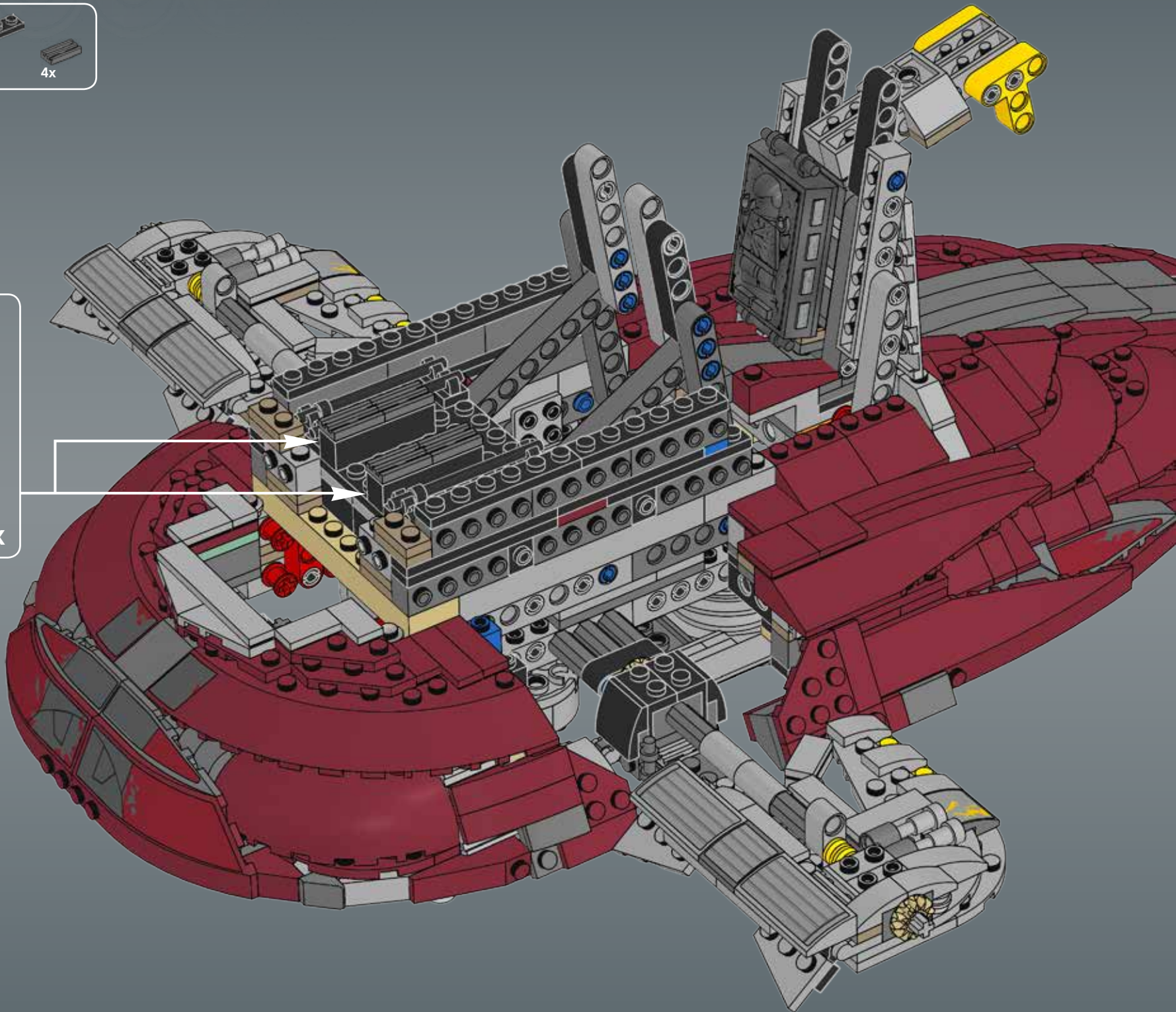
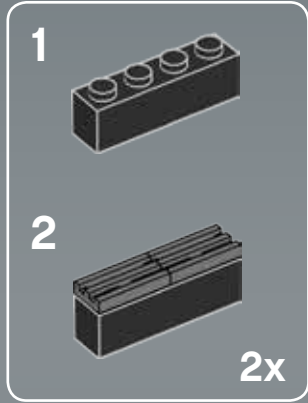


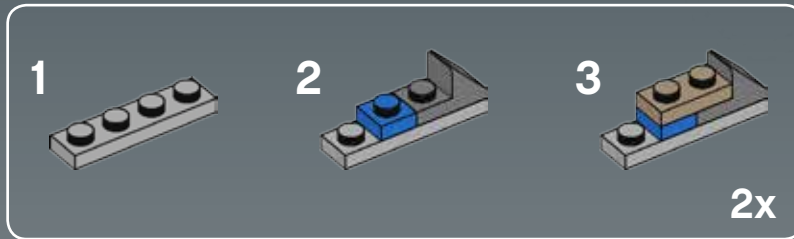
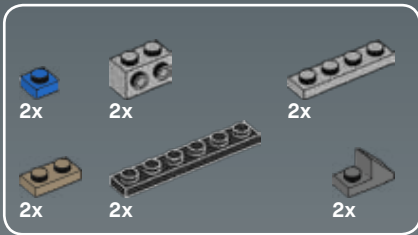
76



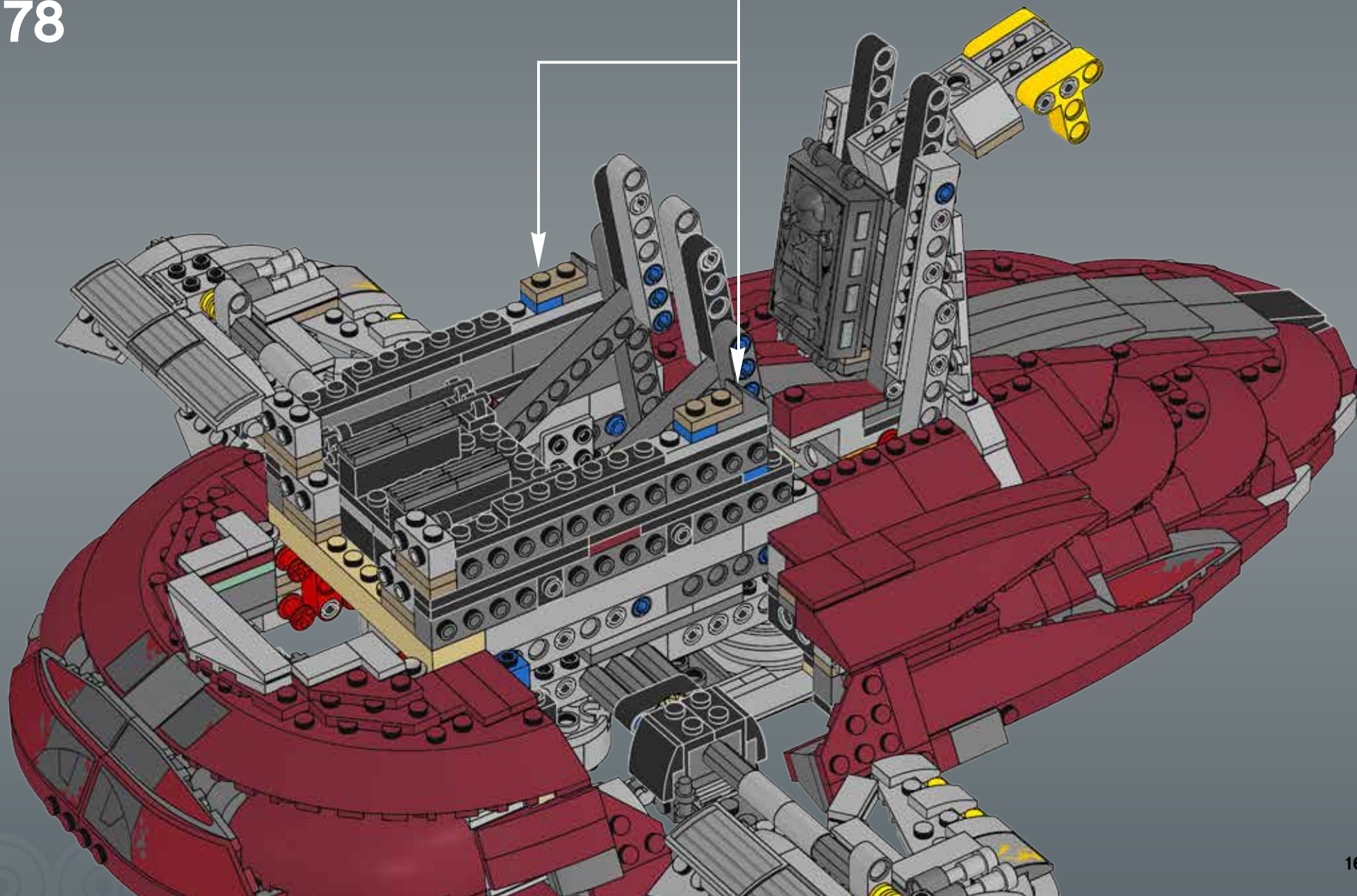


77





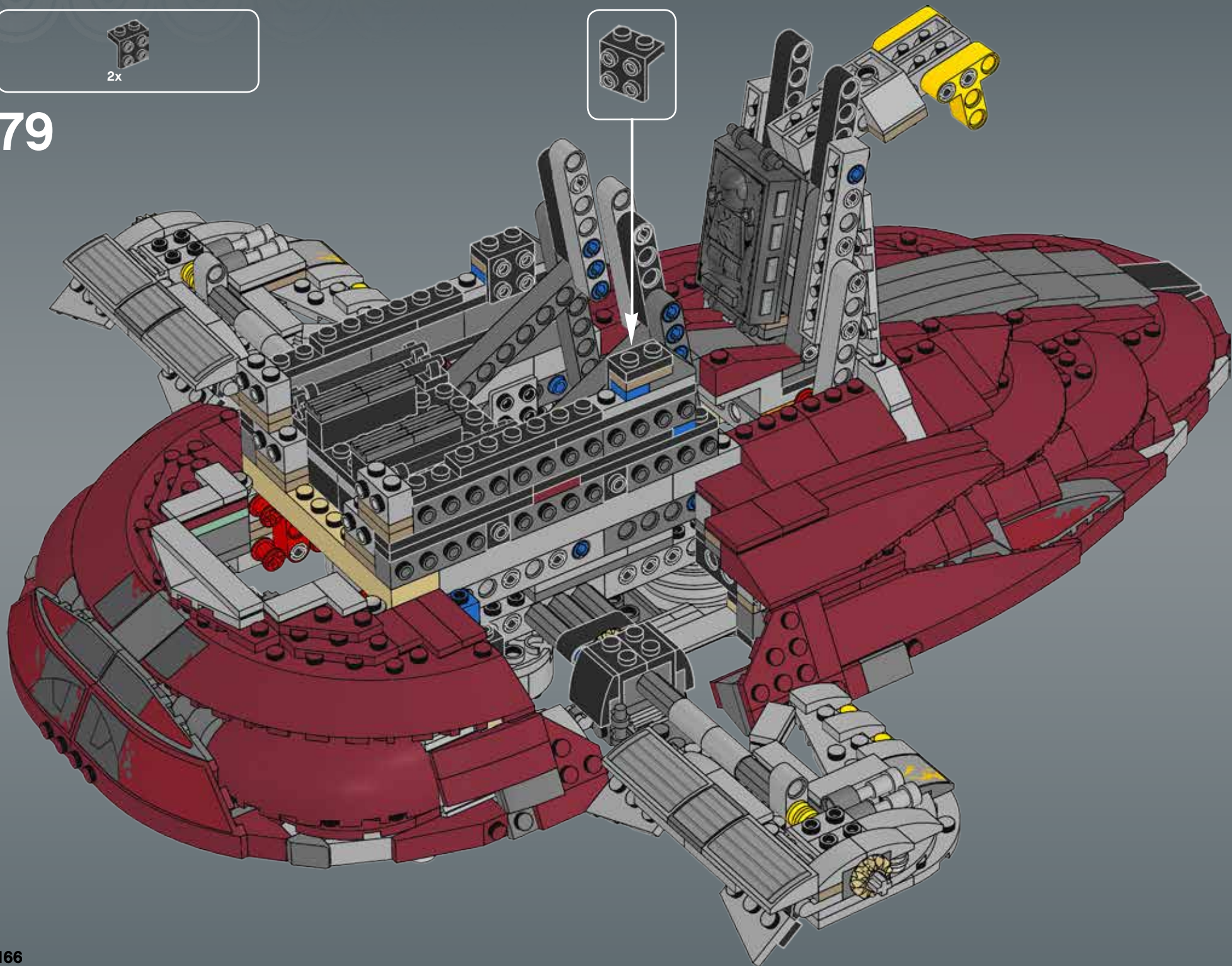
78

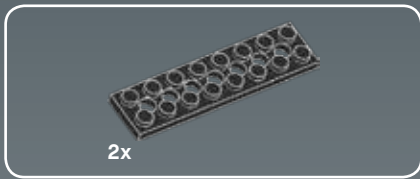




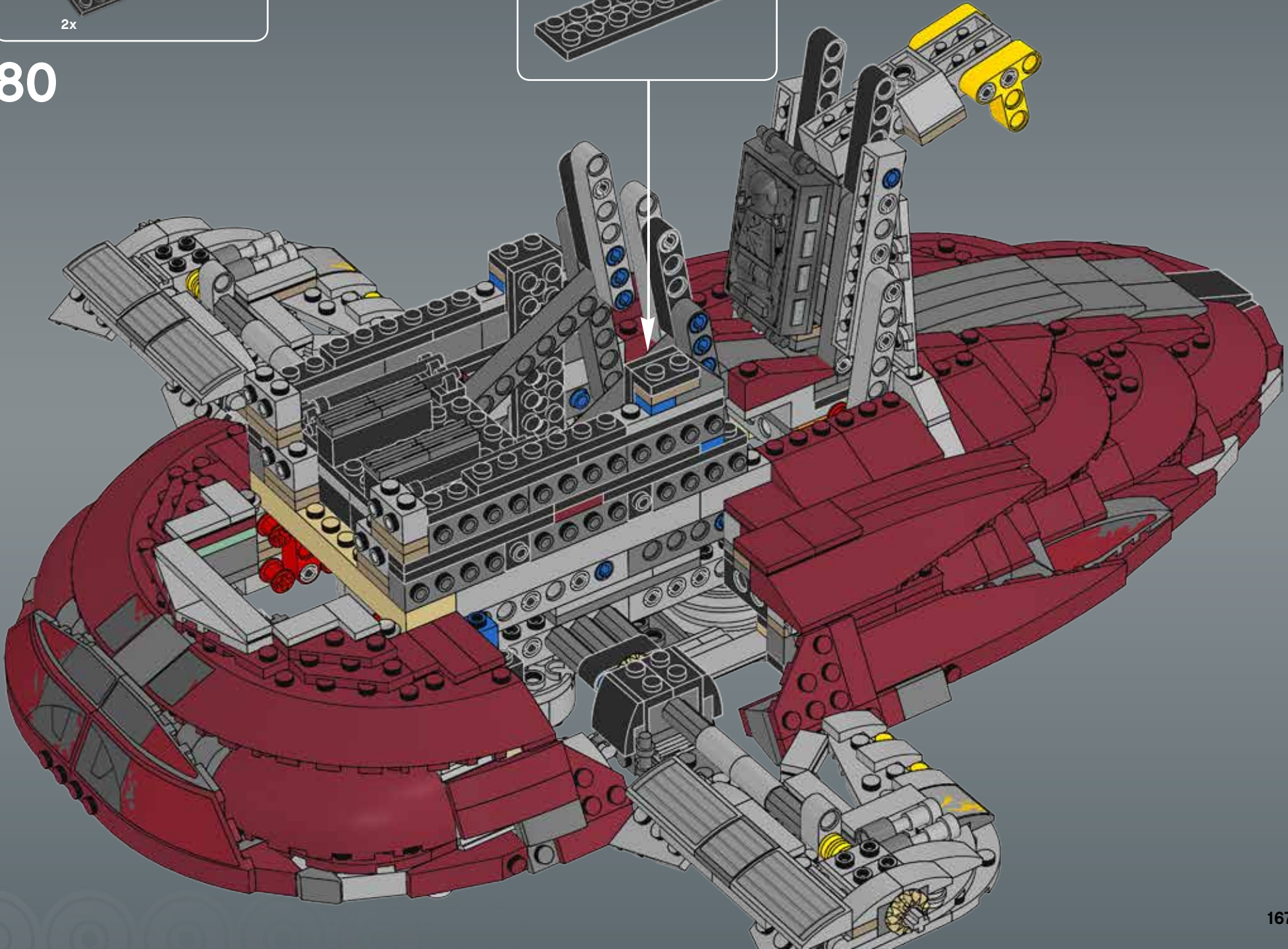
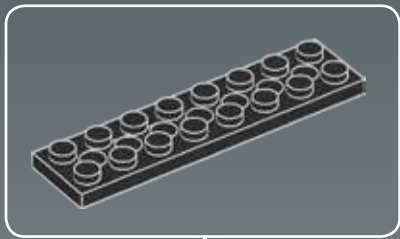
2x

79



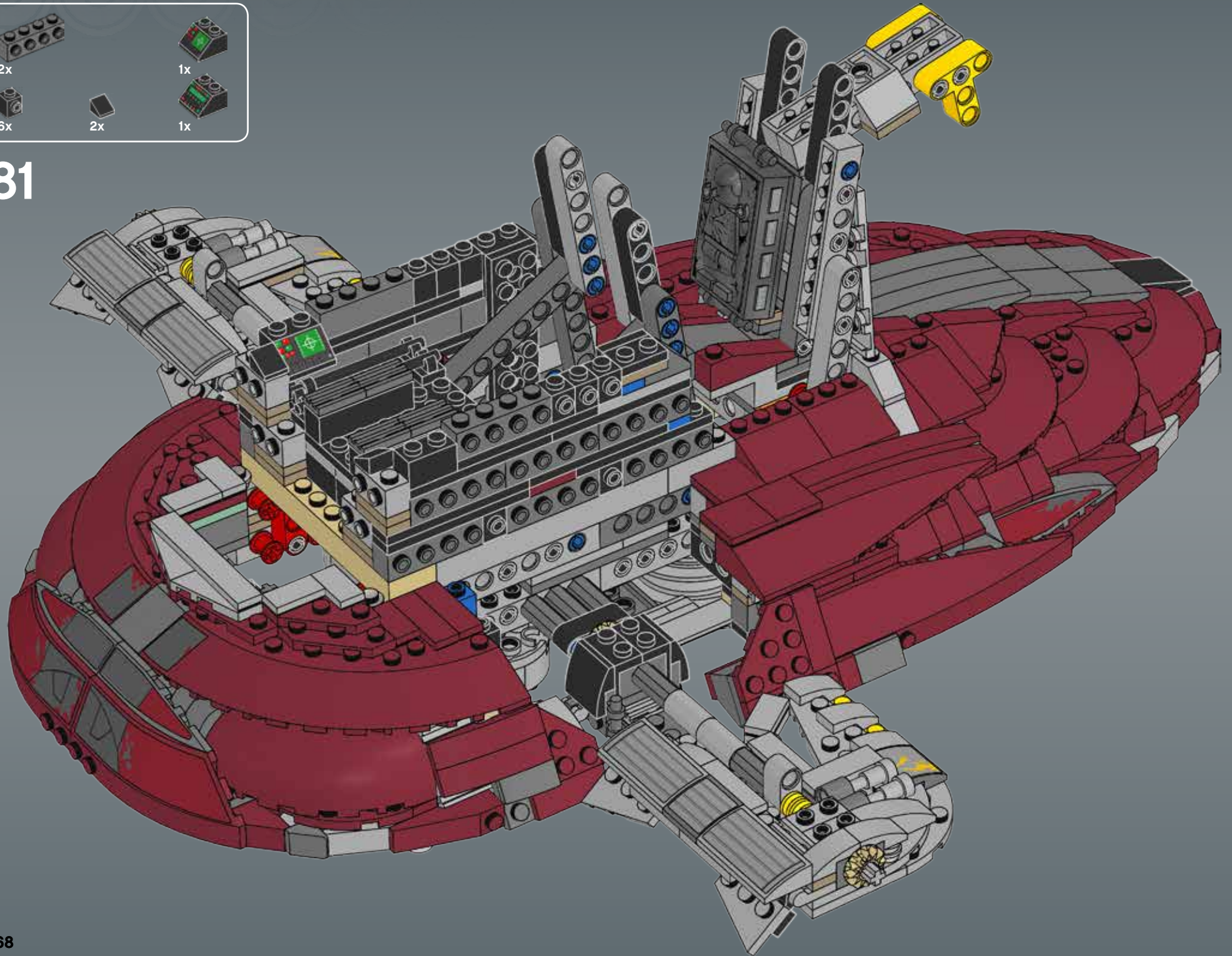


80



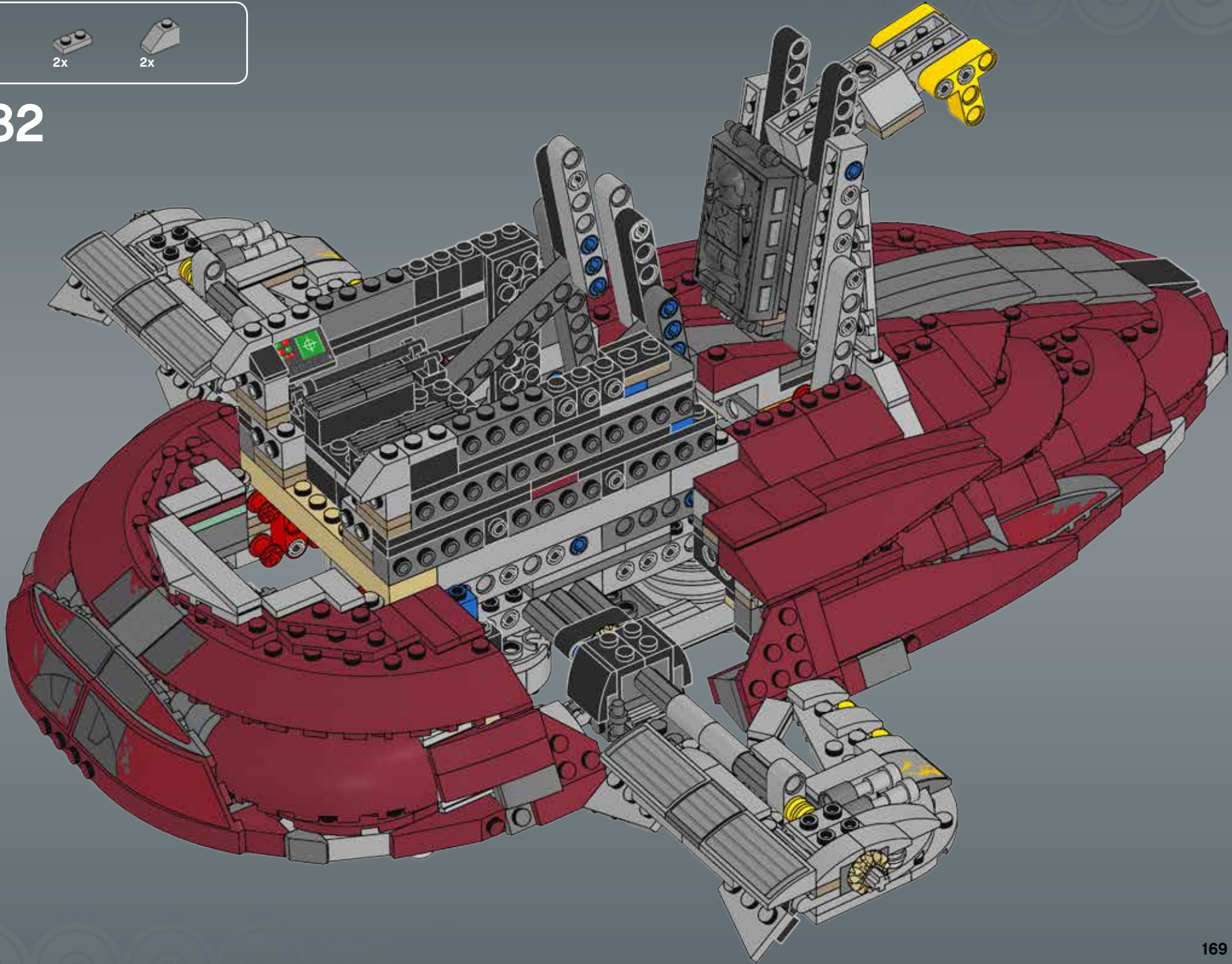


81



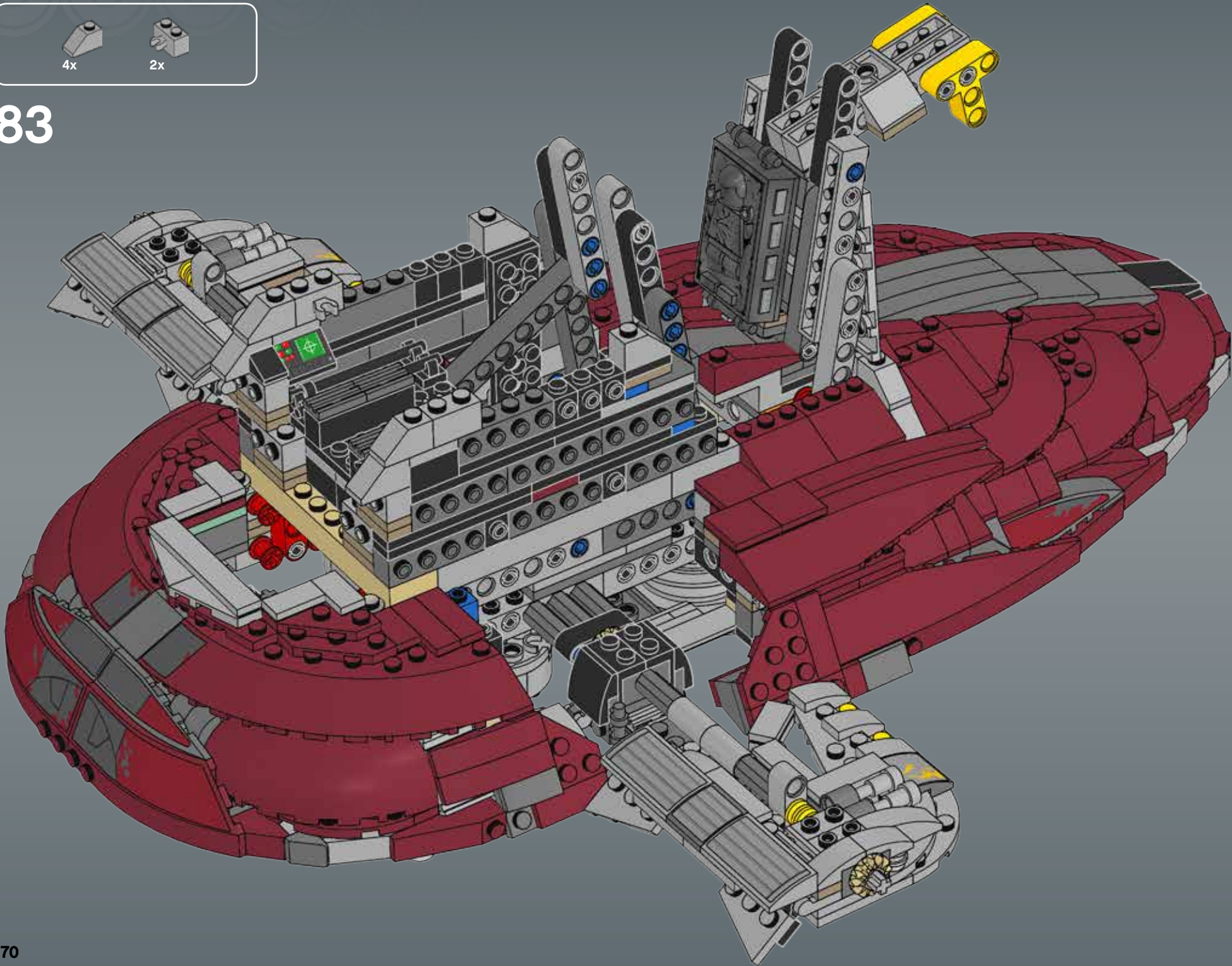


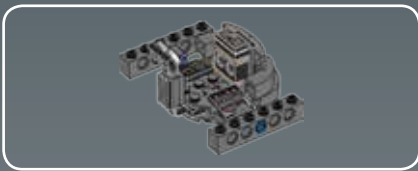
82



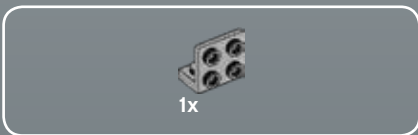
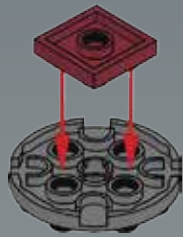


83

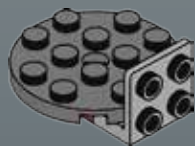




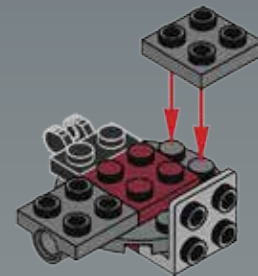
1



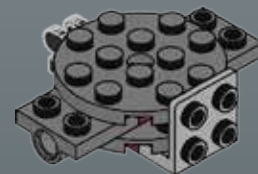
2



3



4

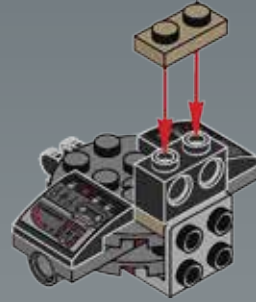




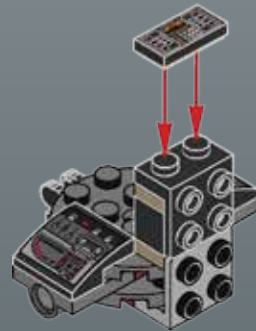
5



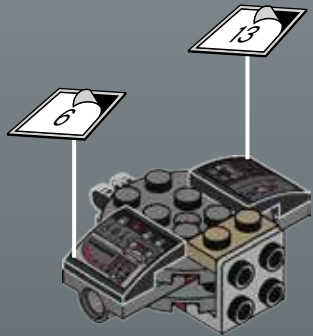
7



8

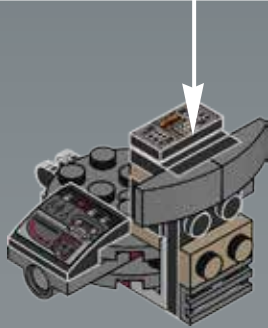
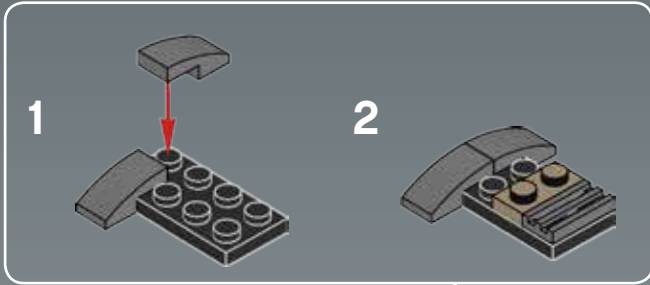


6

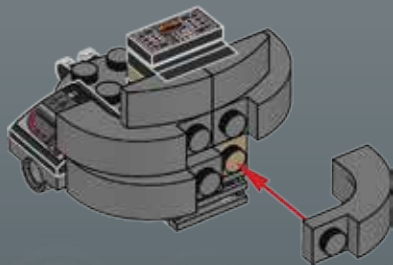




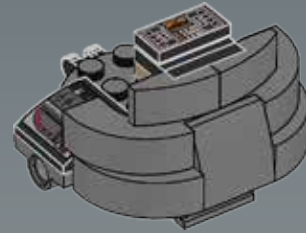
9



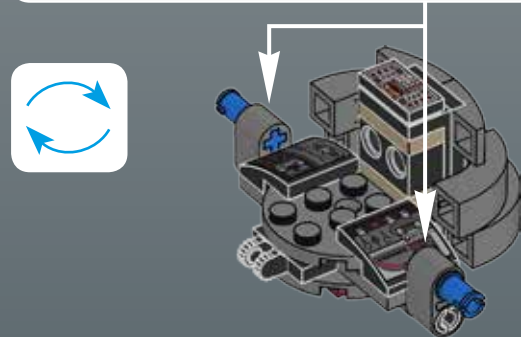
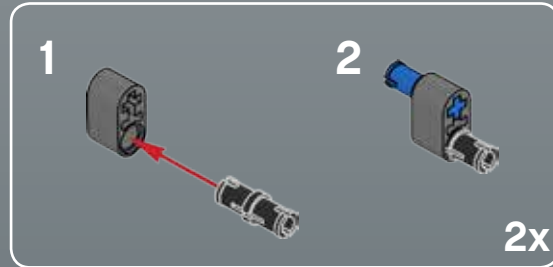
10



11

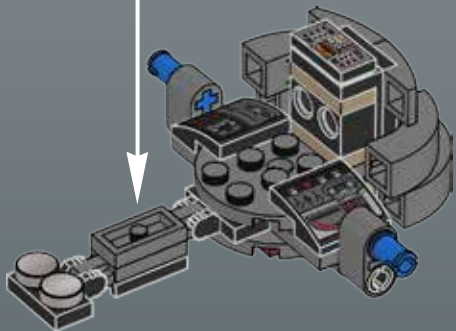
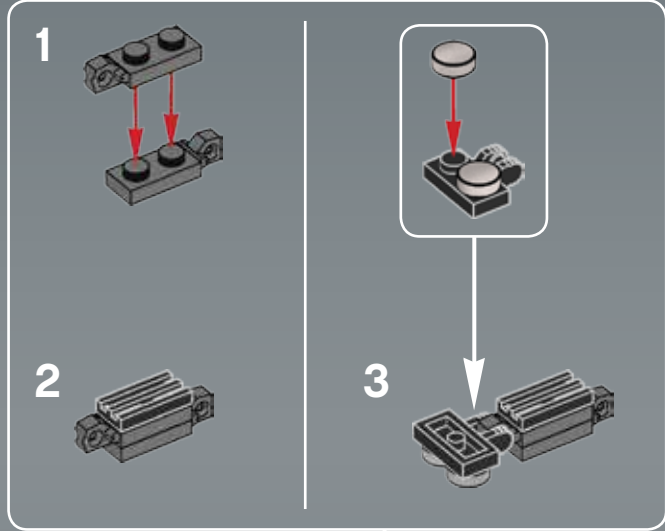


12

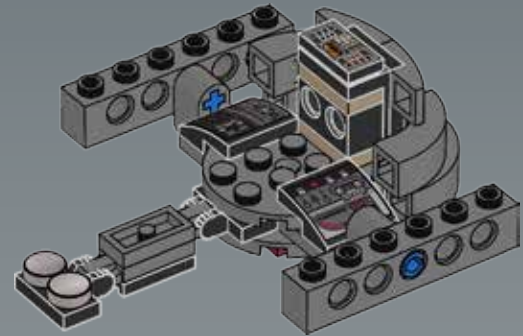




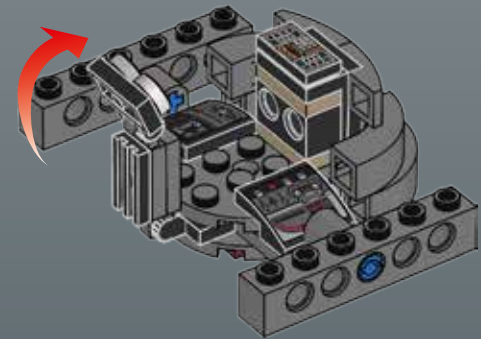
13



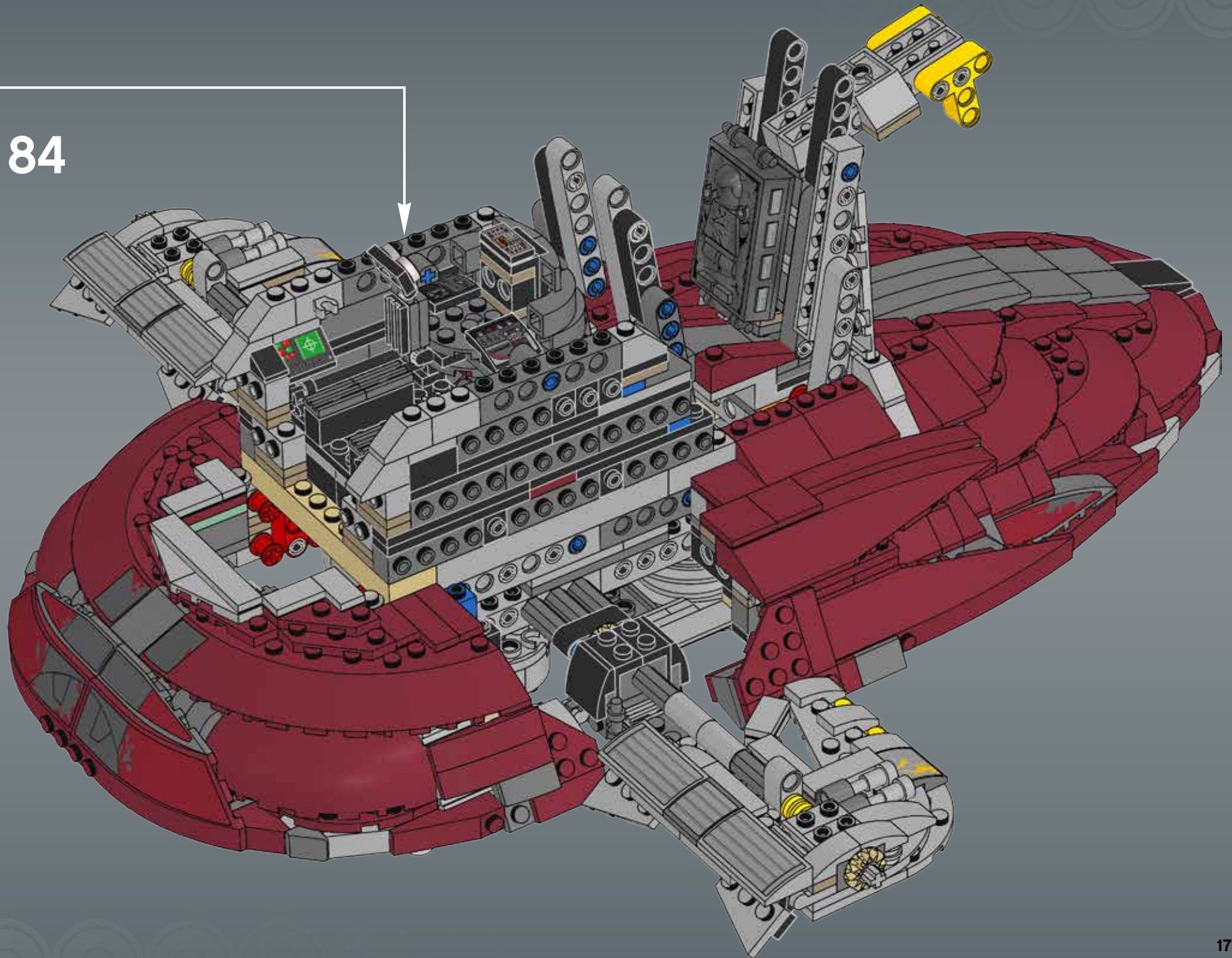
14



15

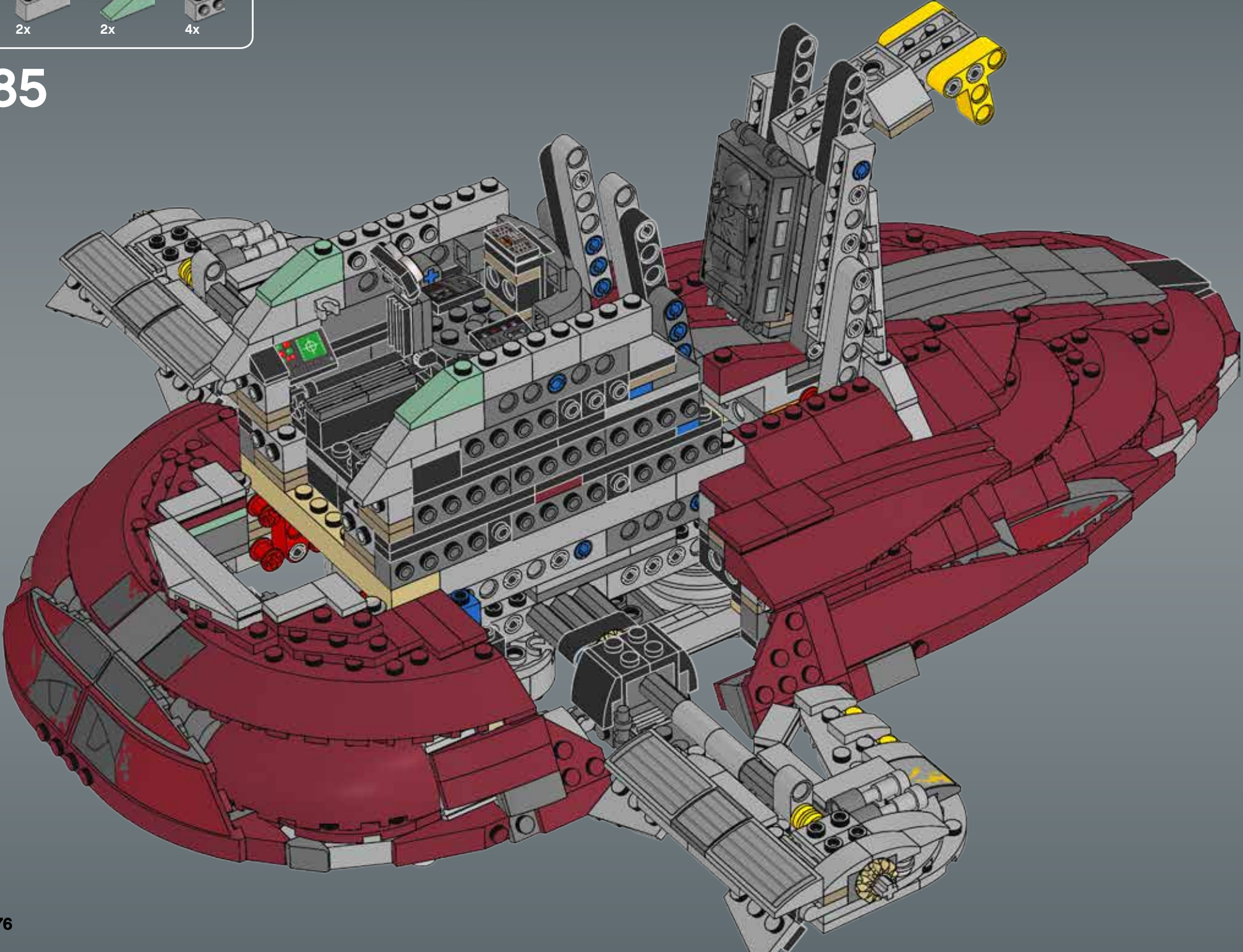


84

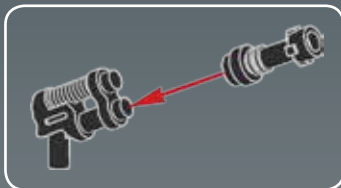




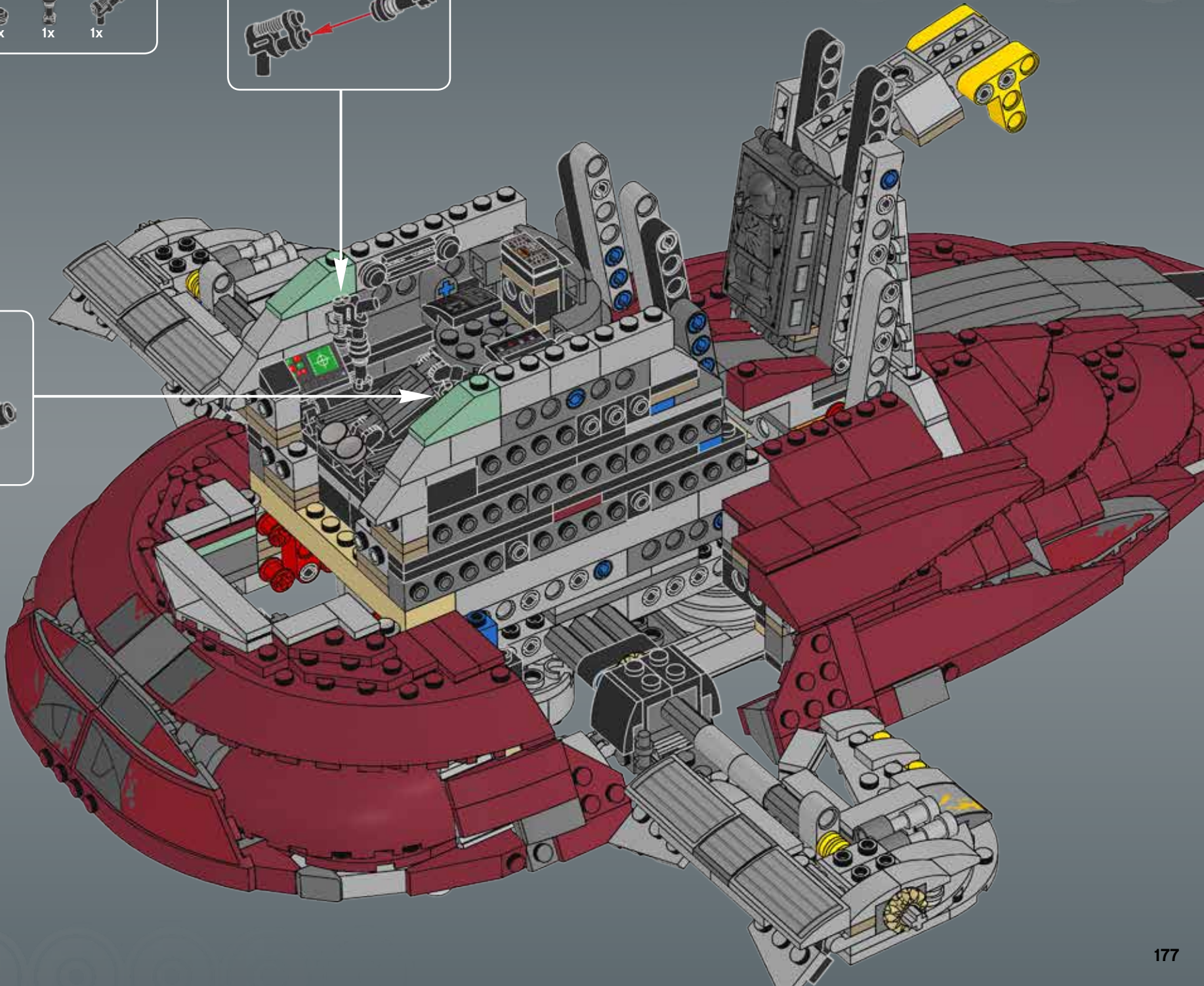
85

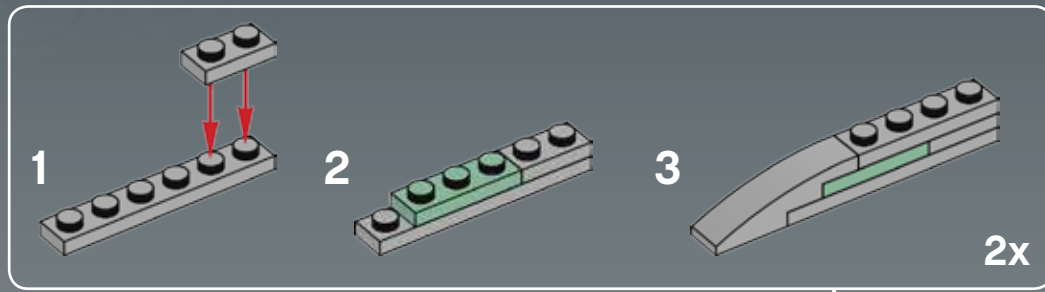
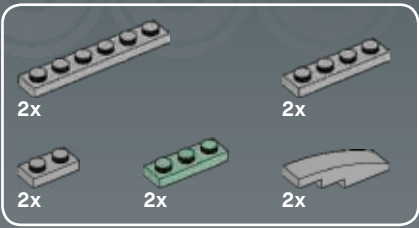


- 2x
- 4x
- 1x
- 1x

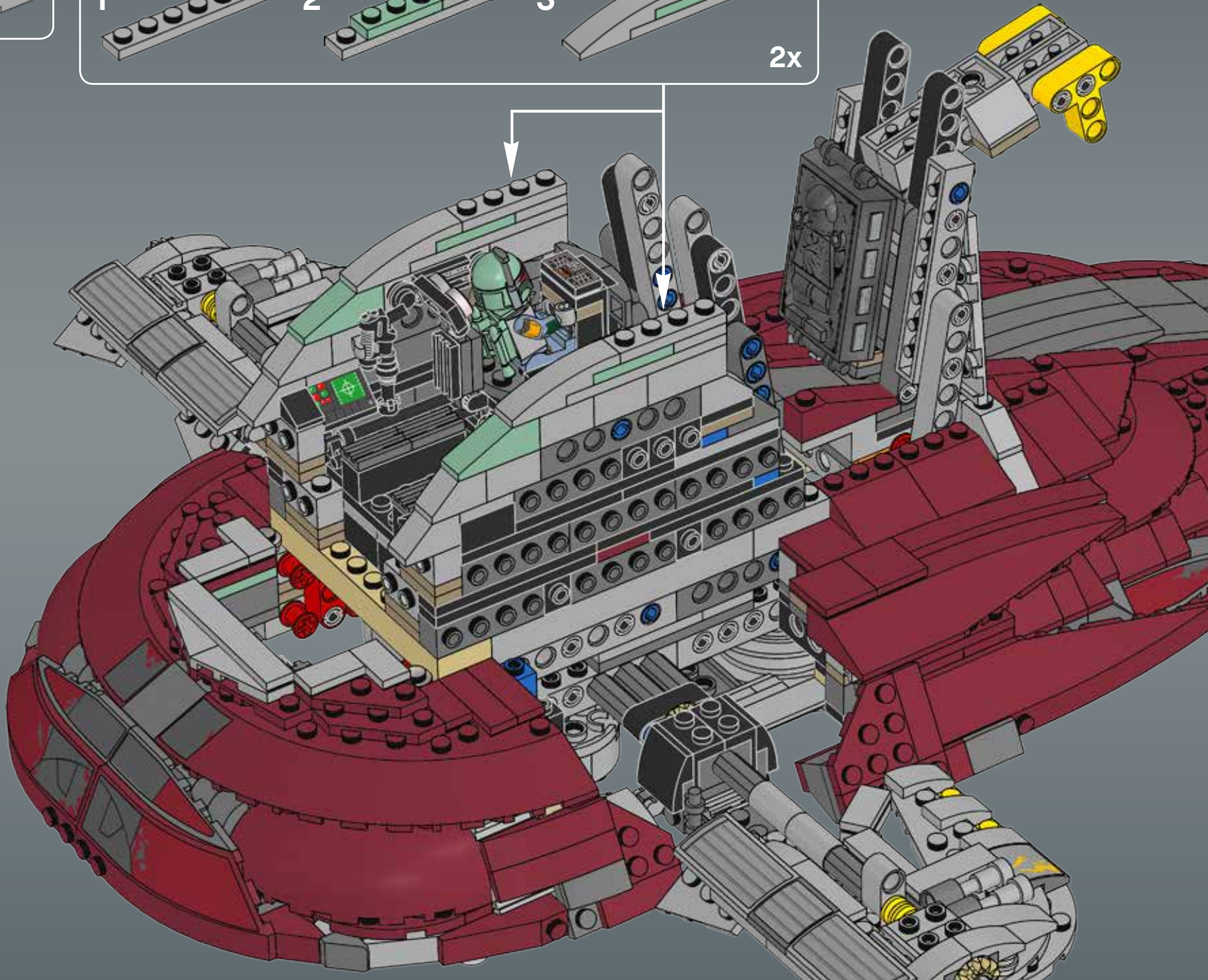


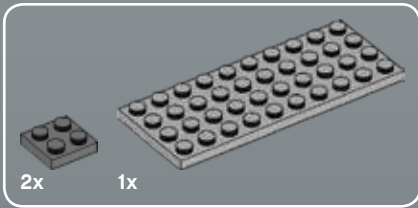
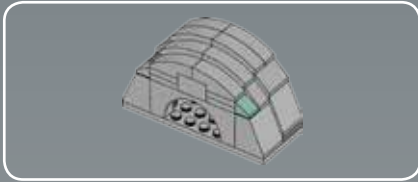
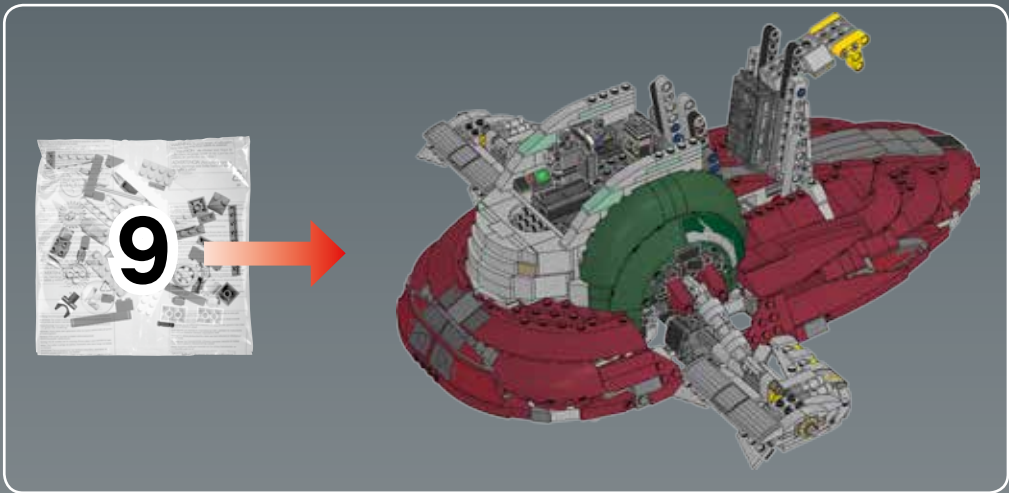
86



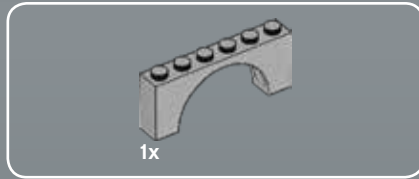
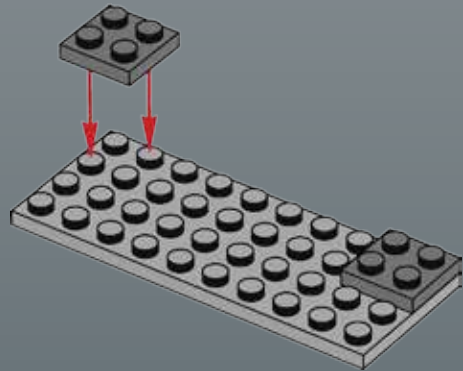


87

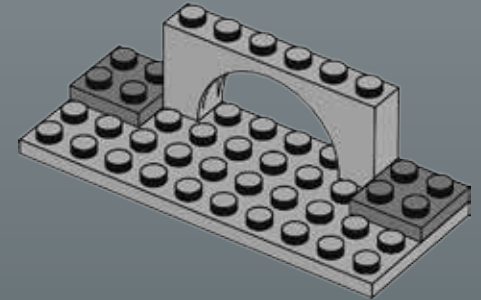




1

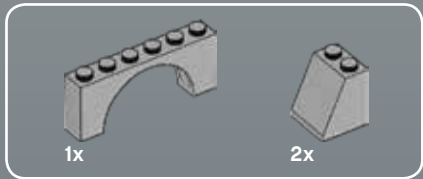
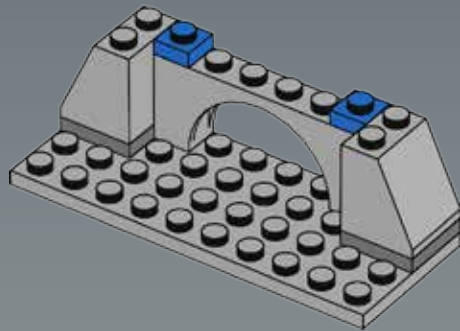


2

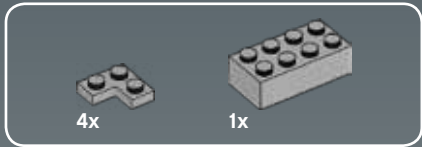
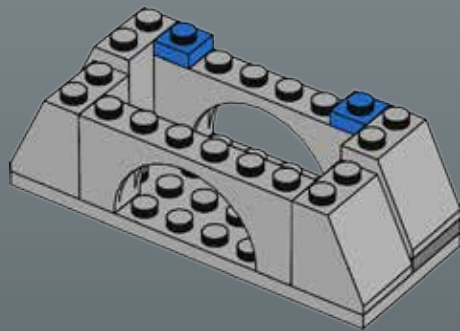




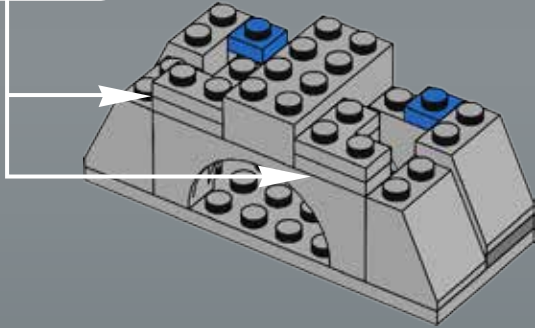
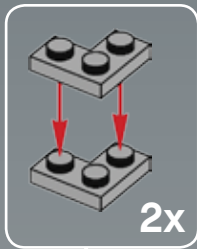
3



4

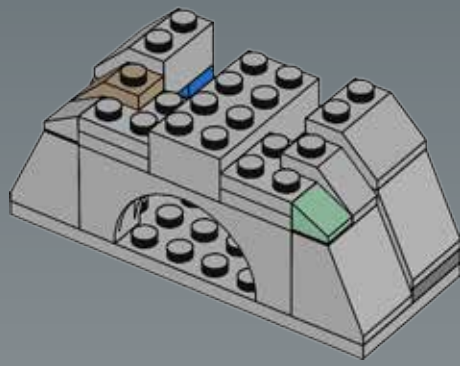


5

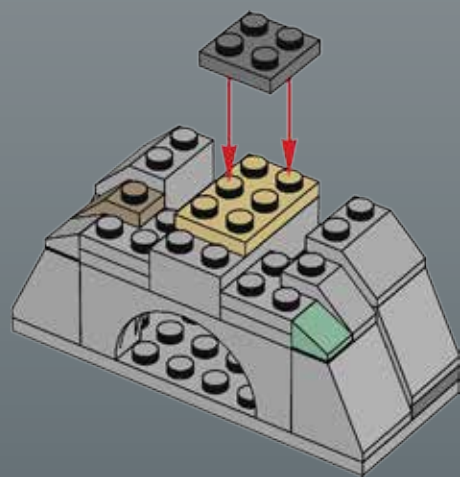




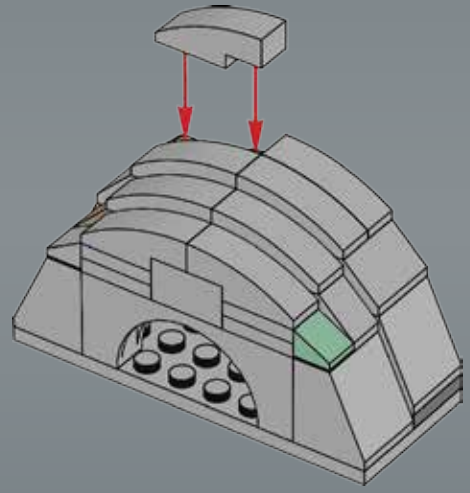
6

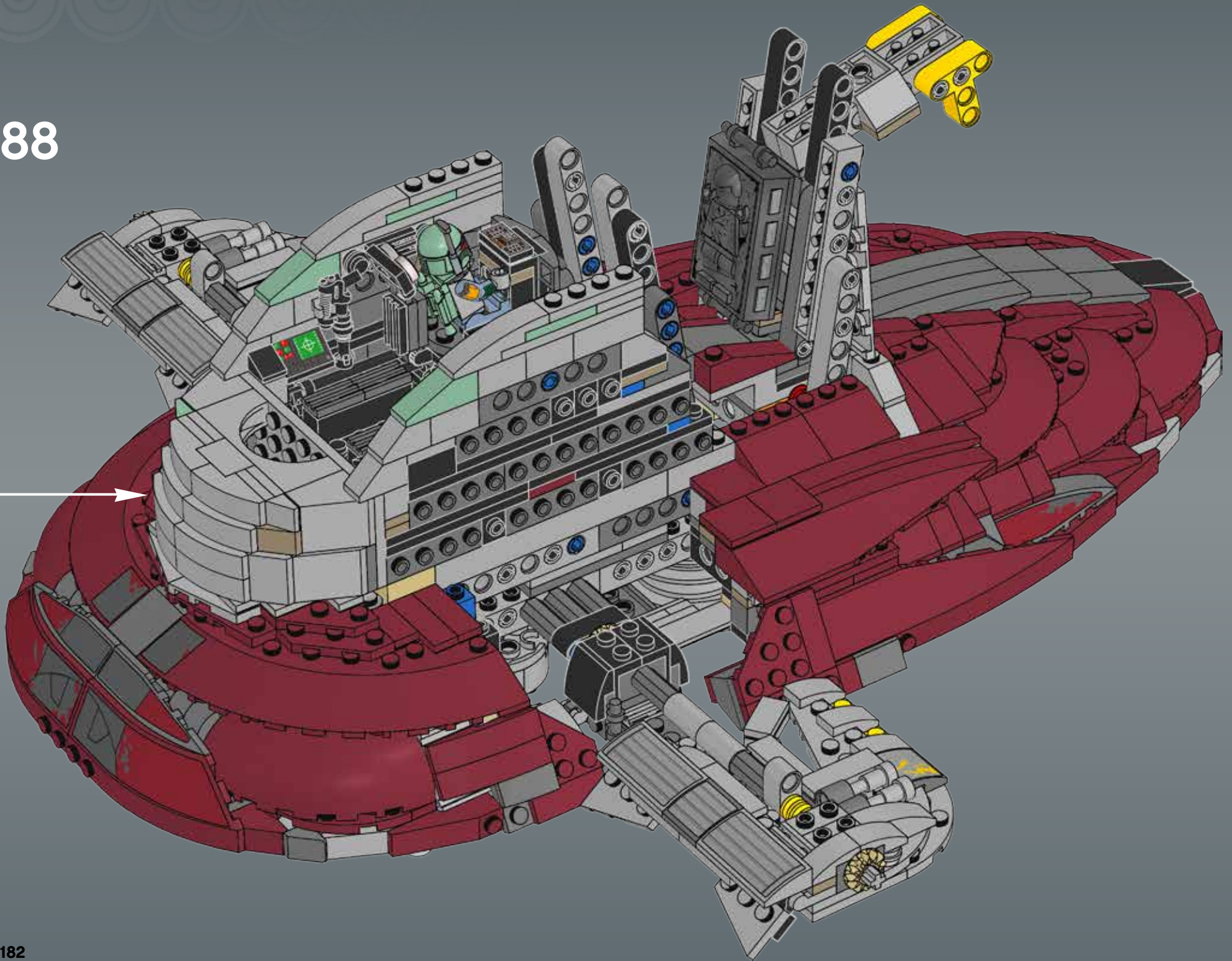


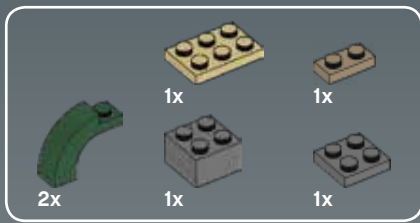
7



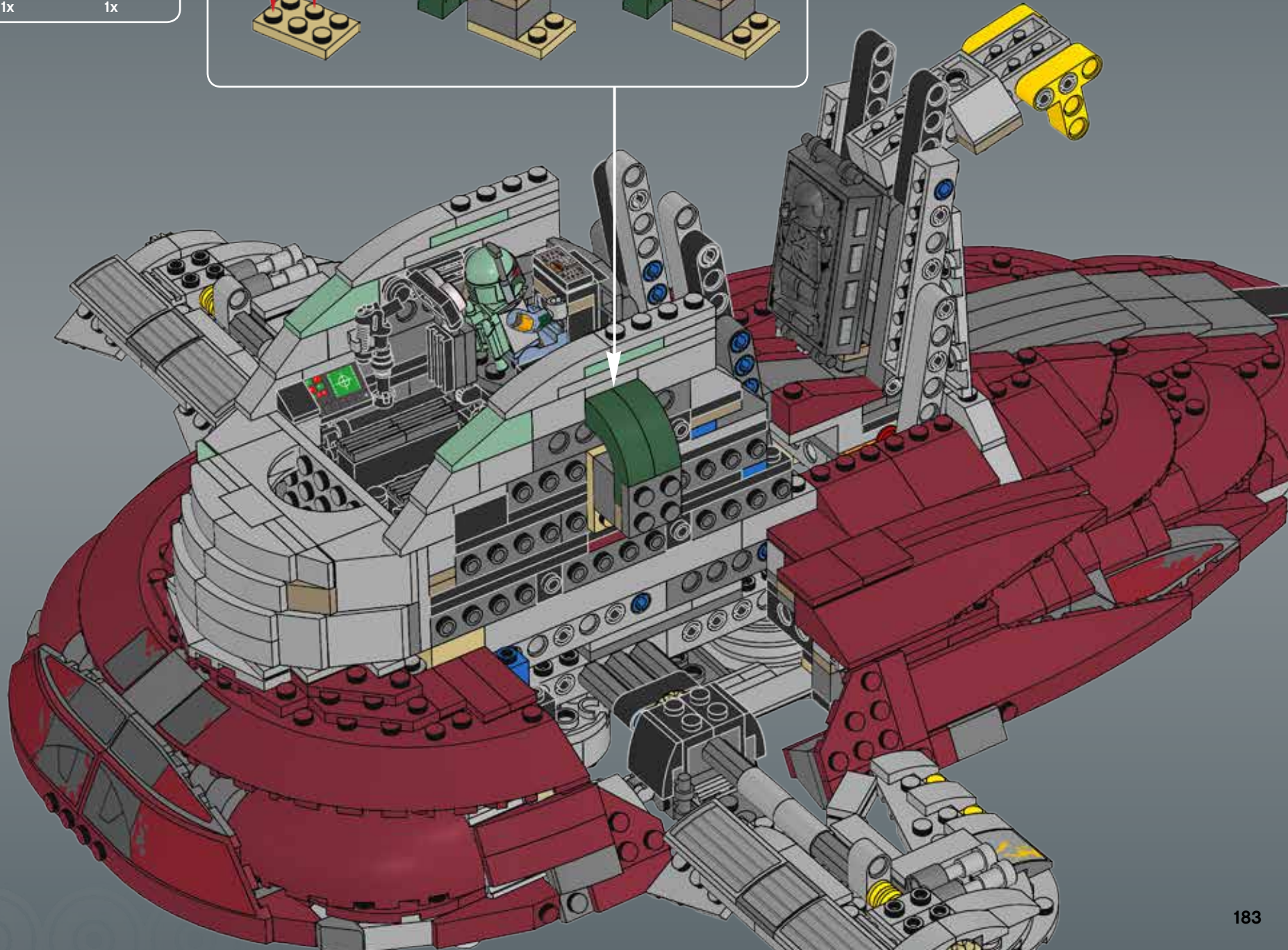
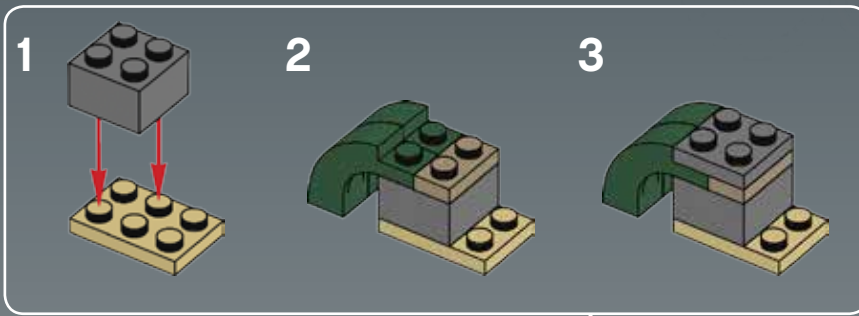
8

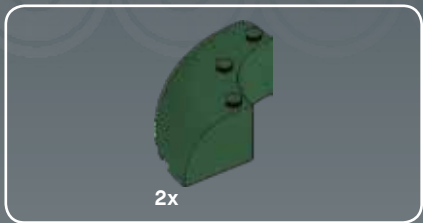




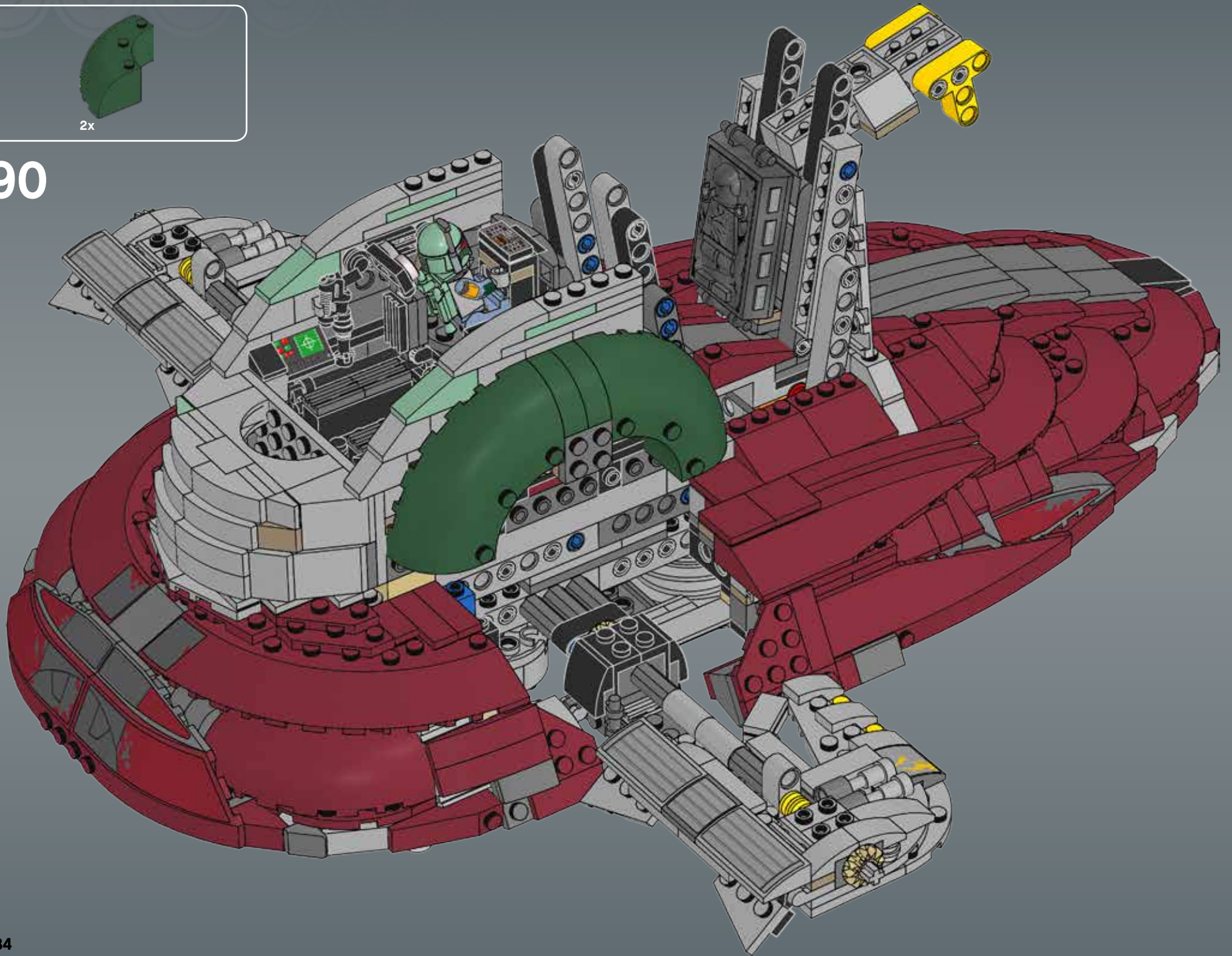


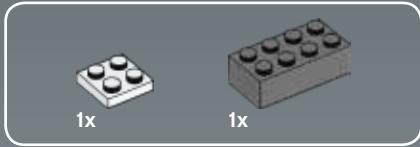
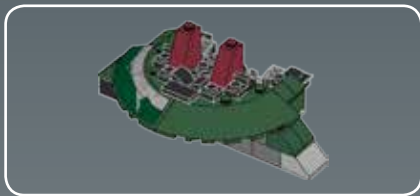
89



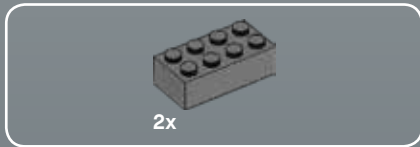
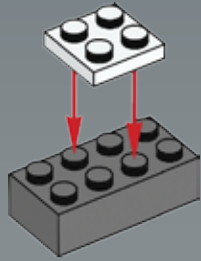


90

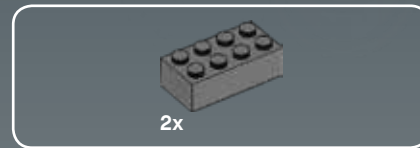
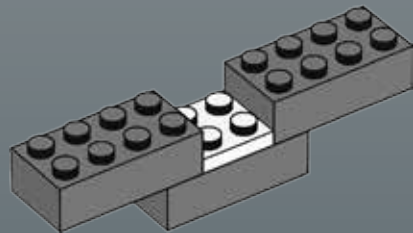




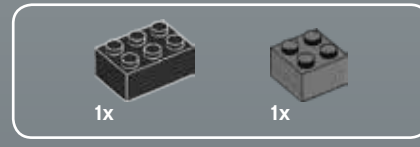
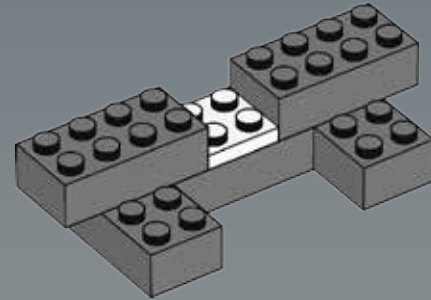
1



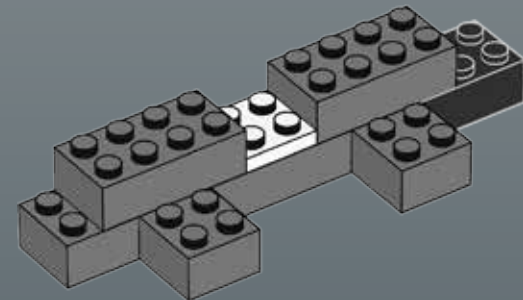
2



3

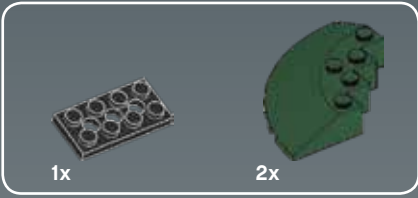
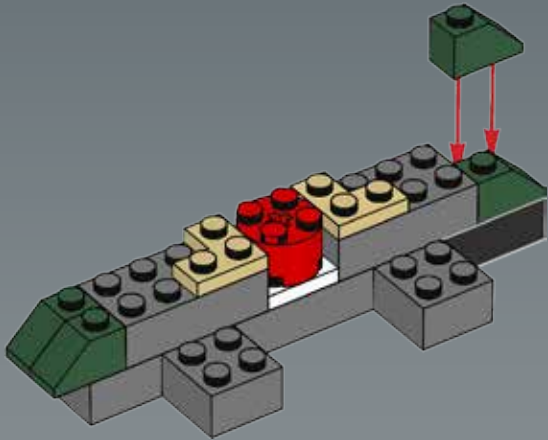


4

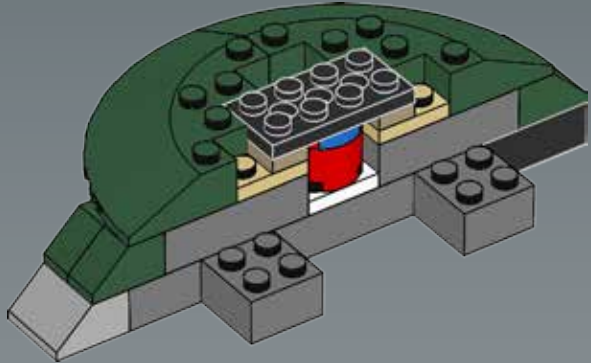




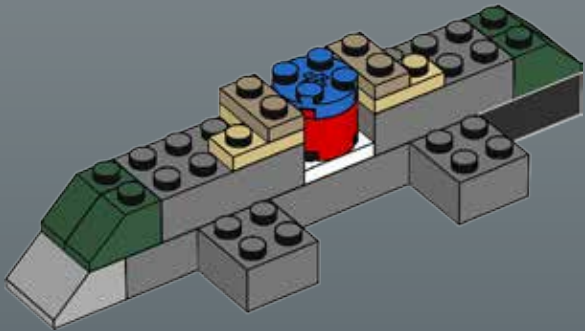
5



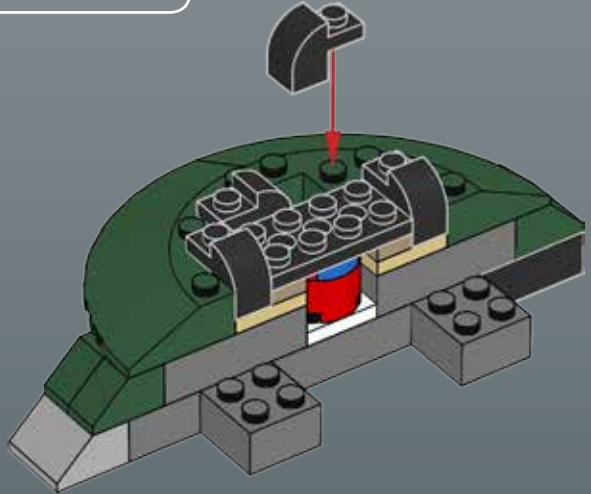
7

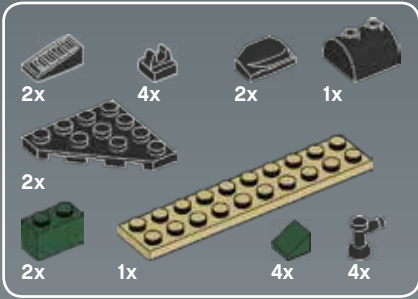


6



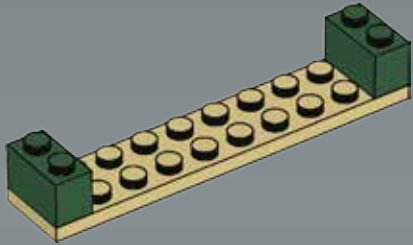
8



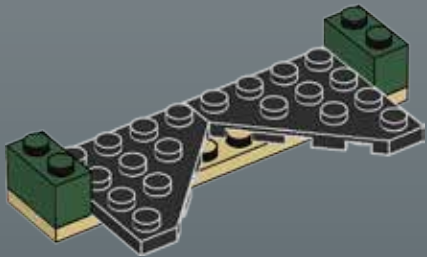


9

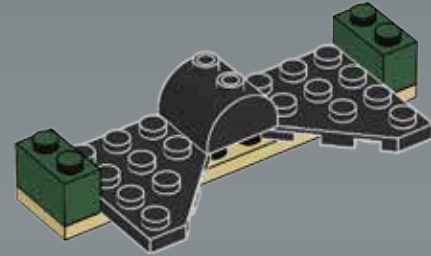
1



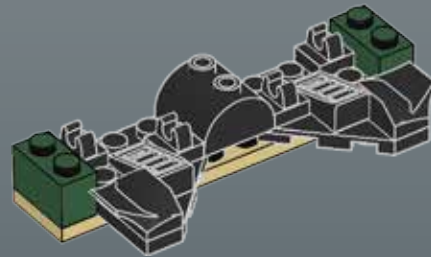
2



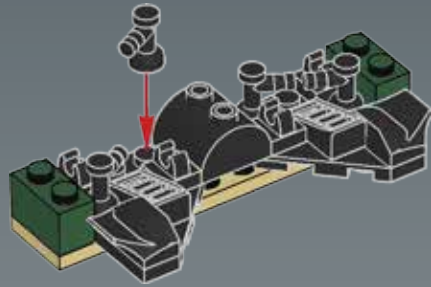
3



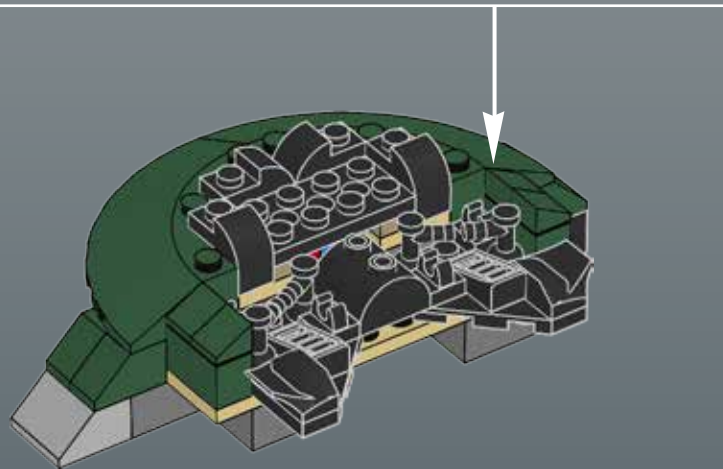
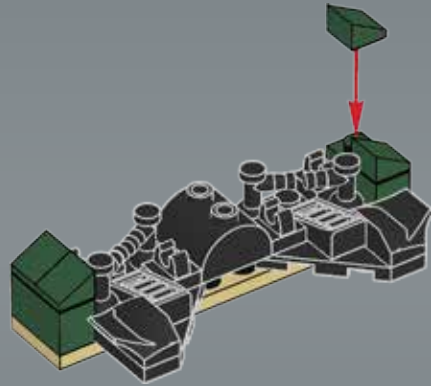
4



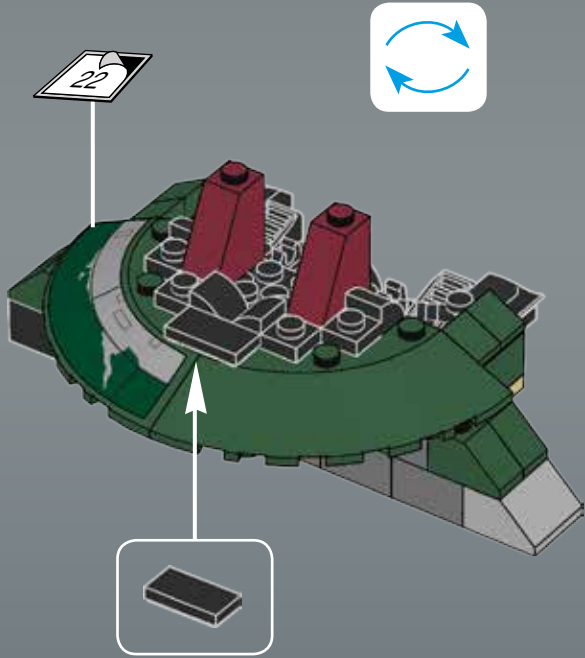
5



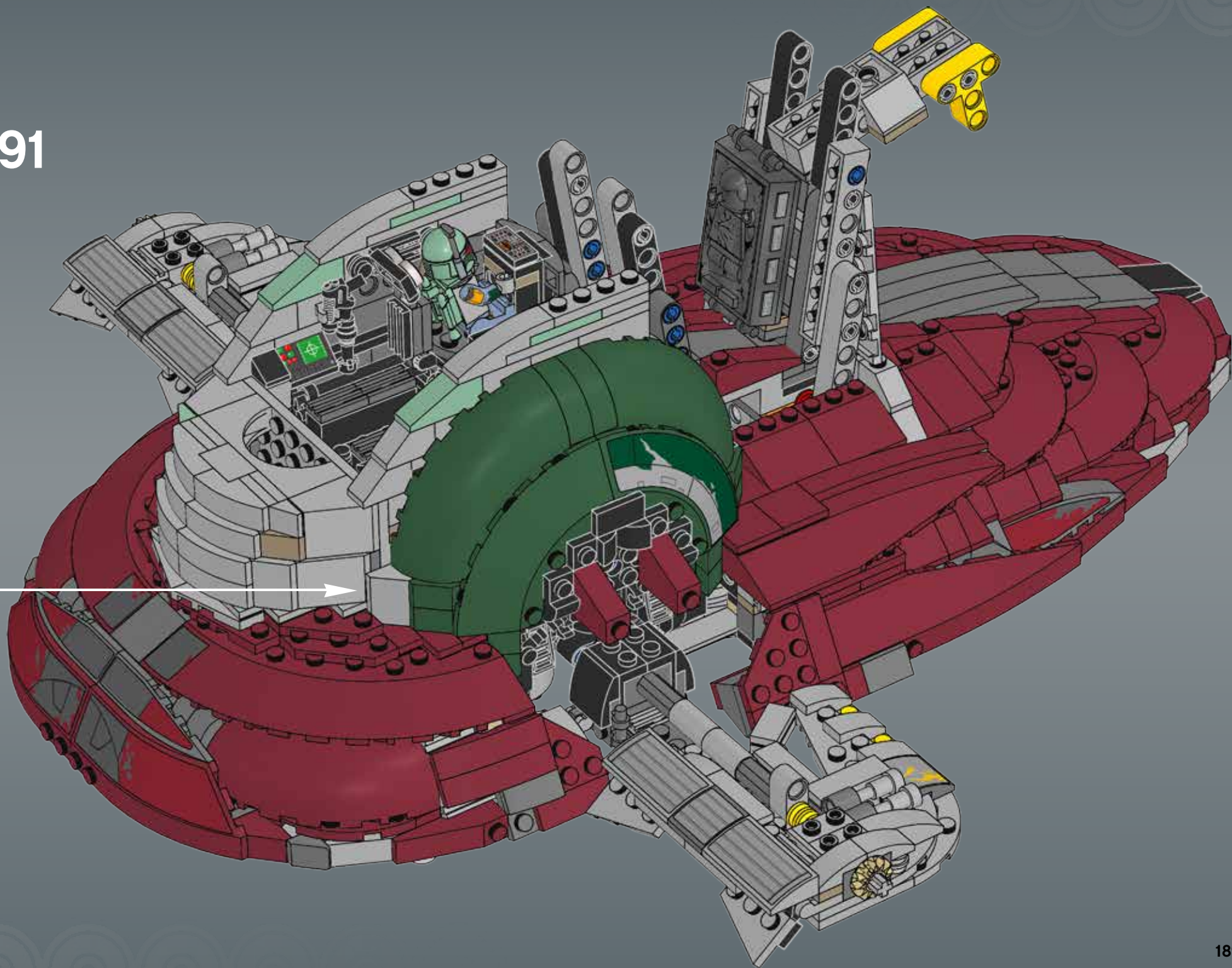
6



10

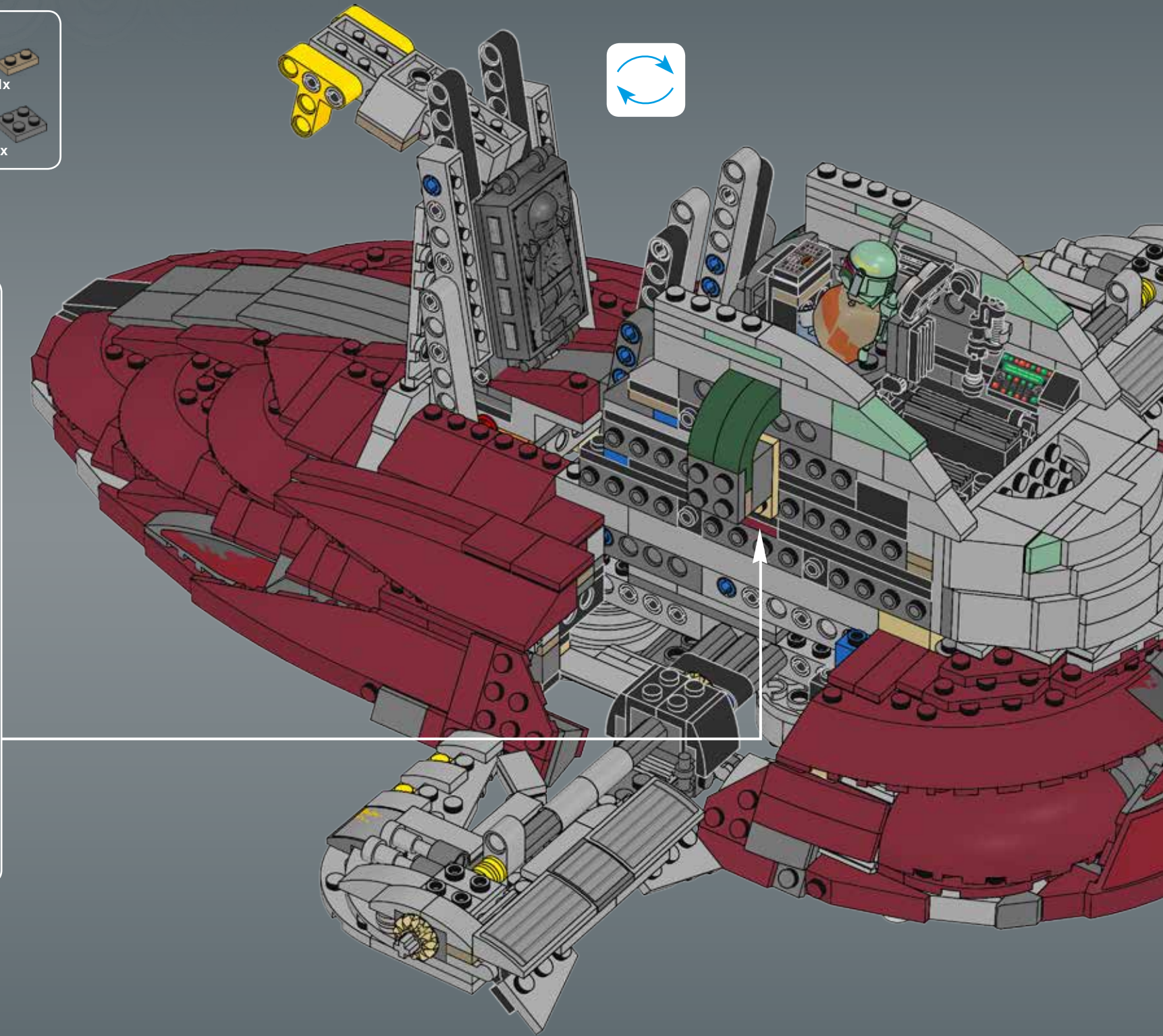
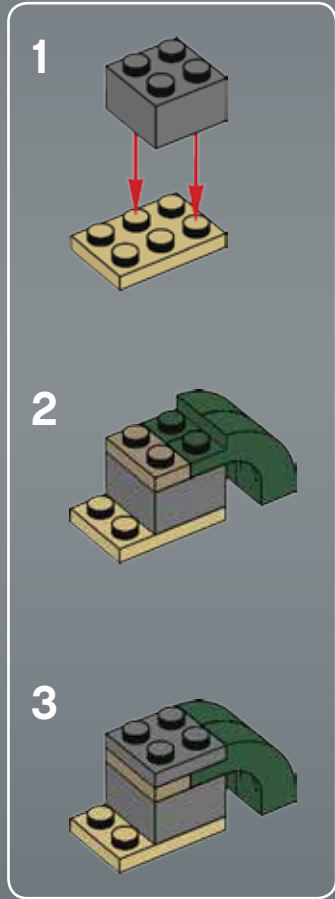


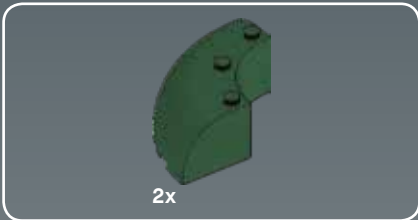
91



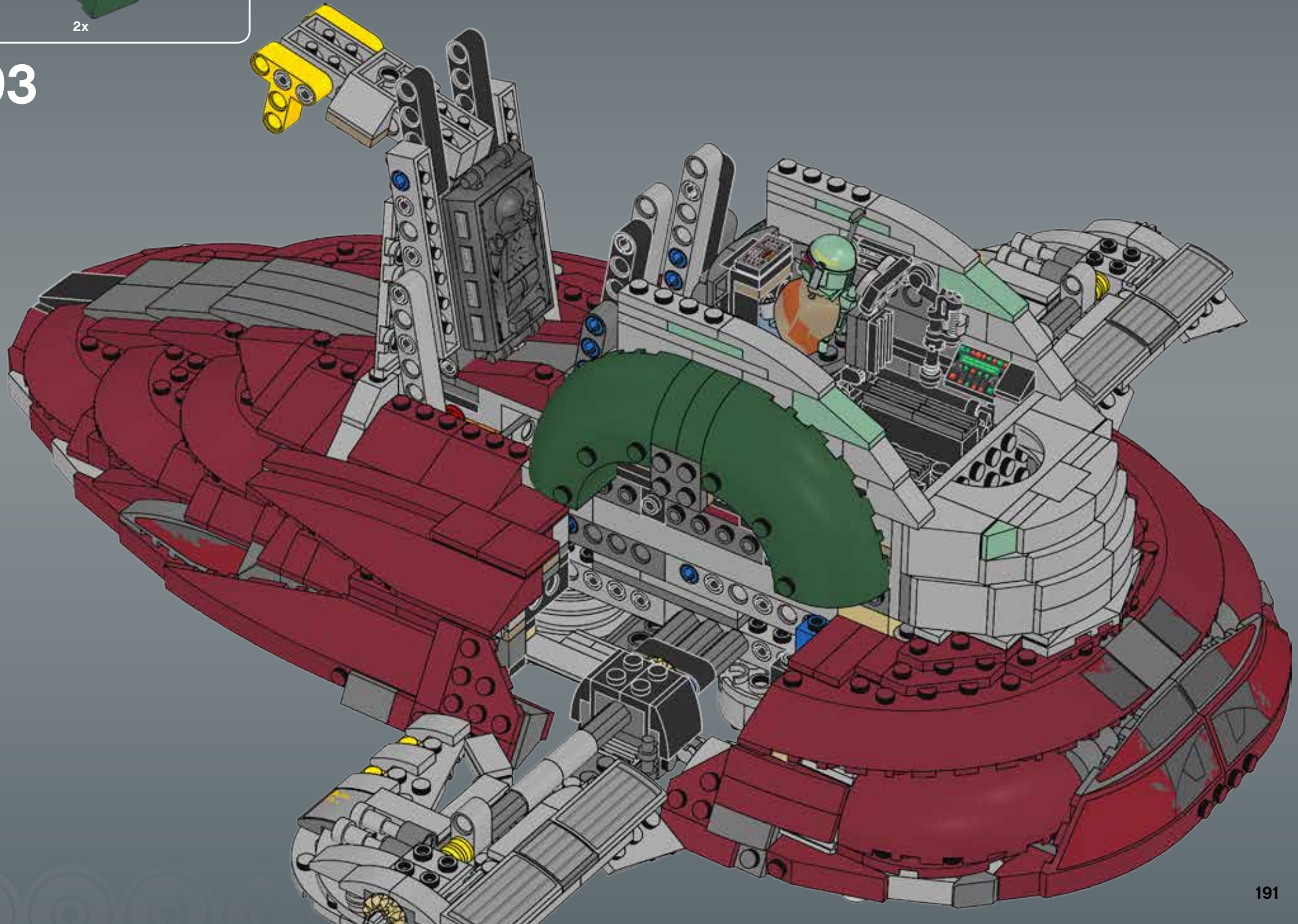


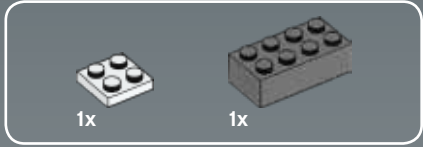
92



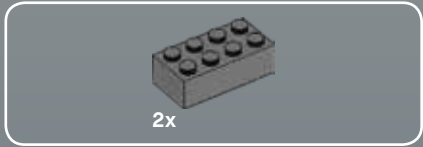
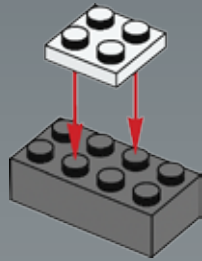


93

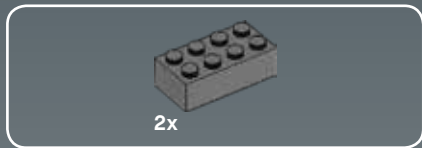
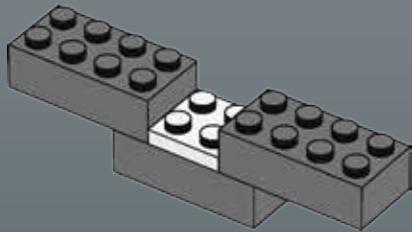




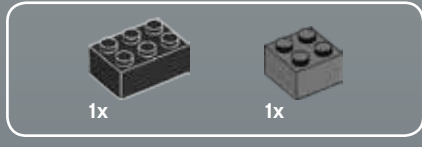
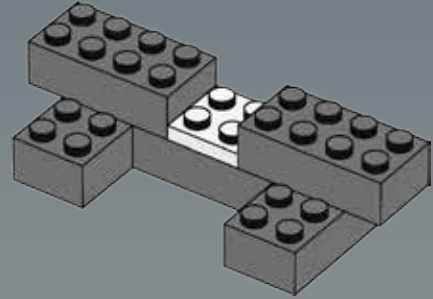
1



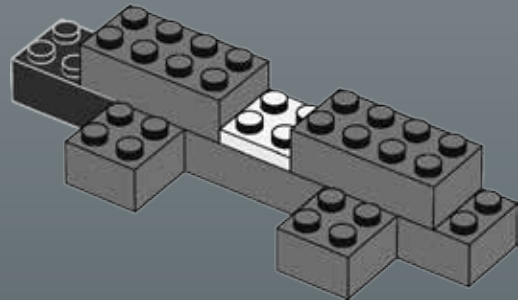
2



3

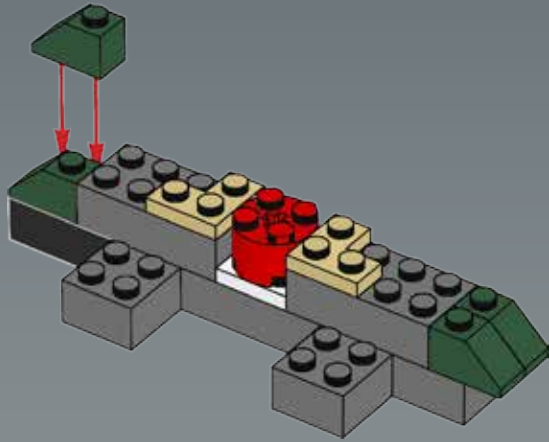


4

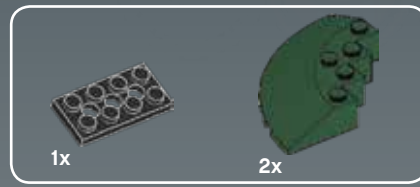
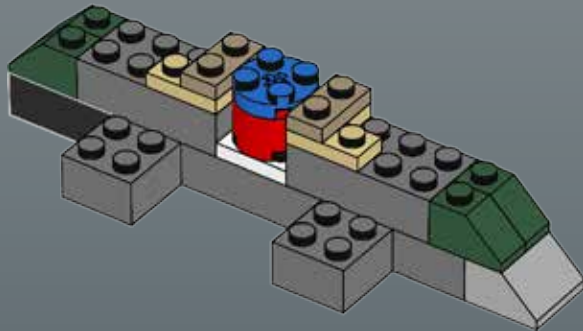




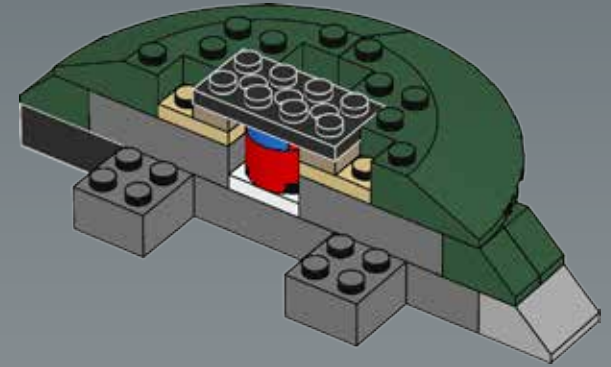
5



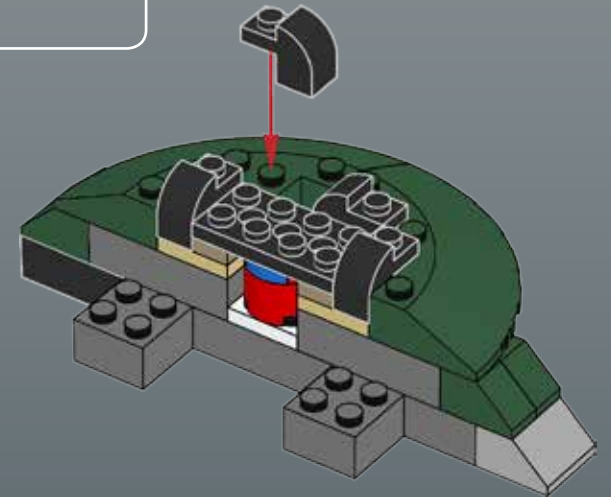
6

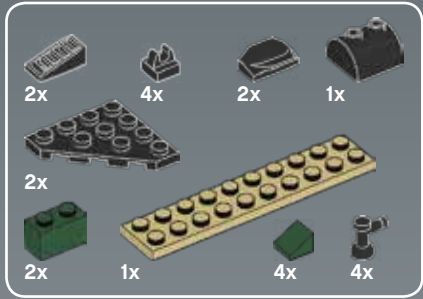


7



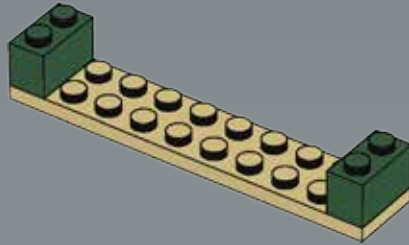
8



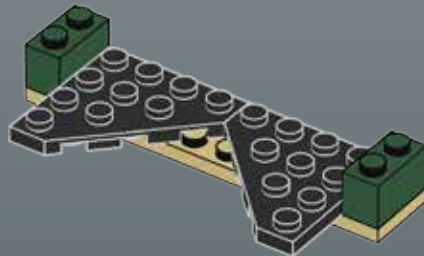


9

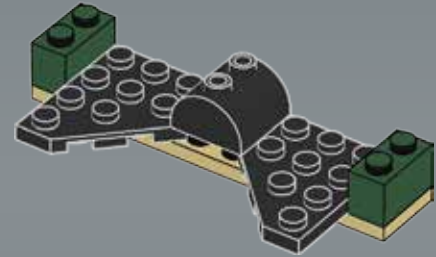
1



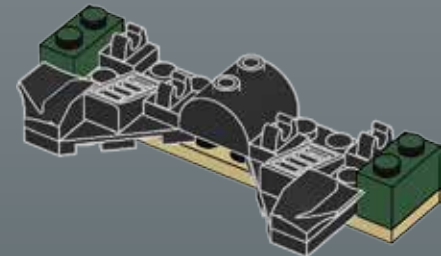
2



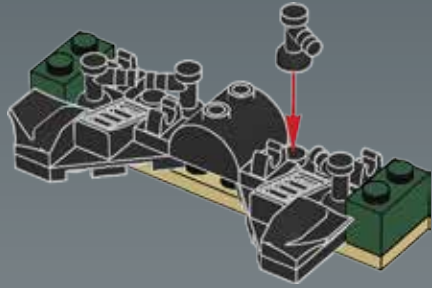
3



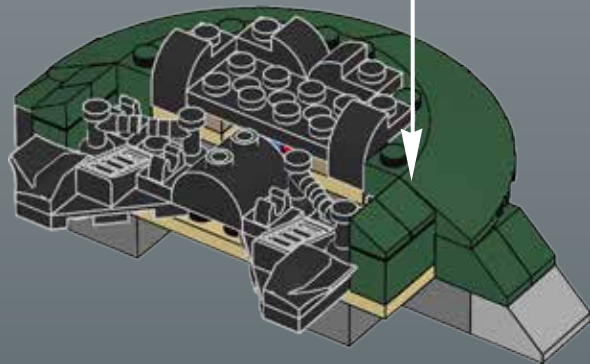
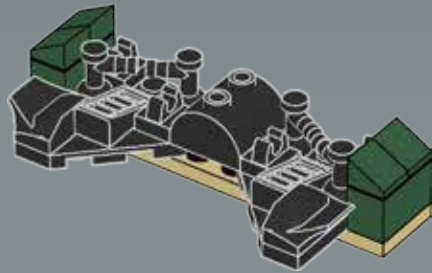
4



5



6

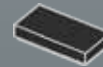
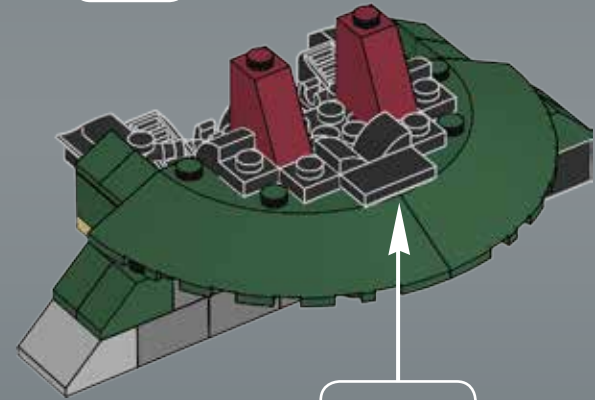


1x

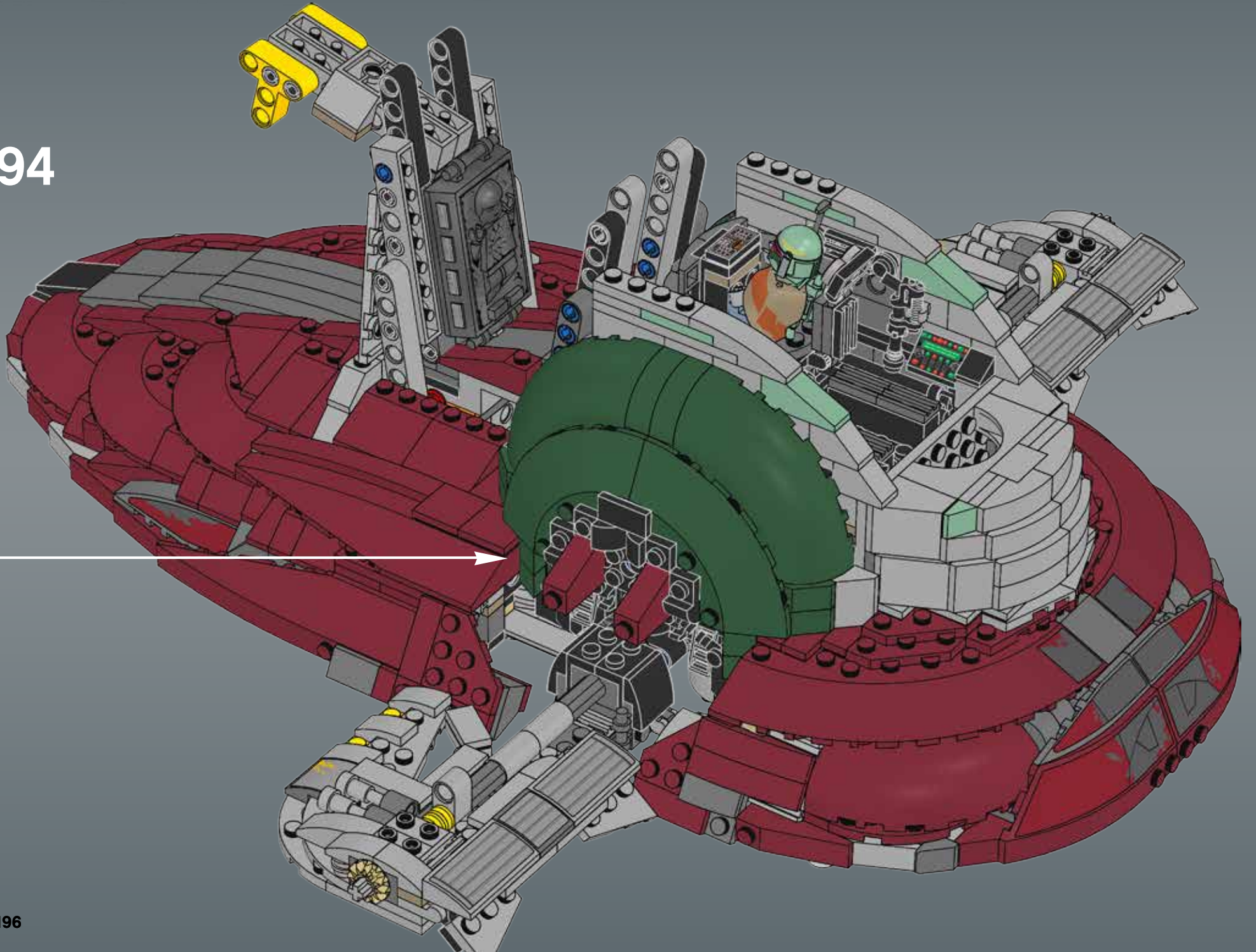


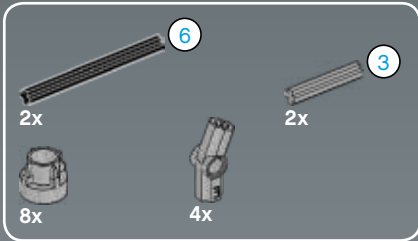
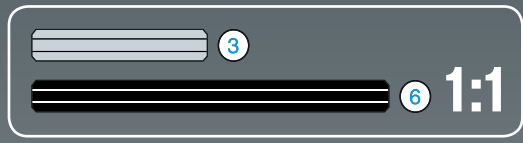
2x

10

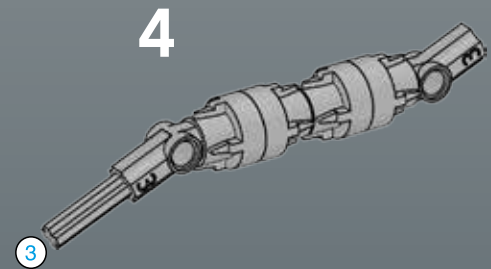
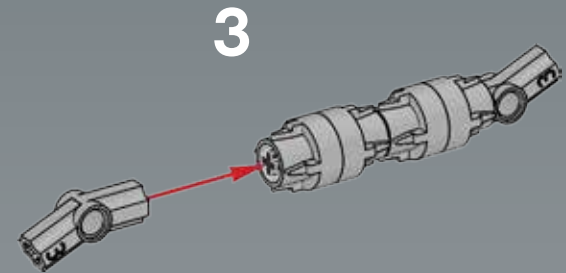
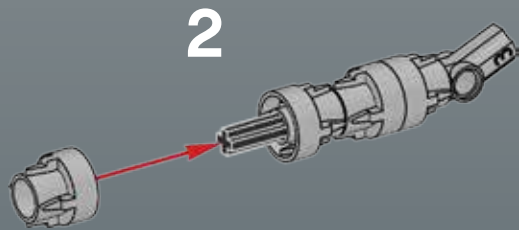
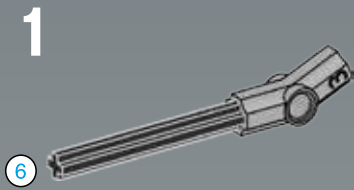


94

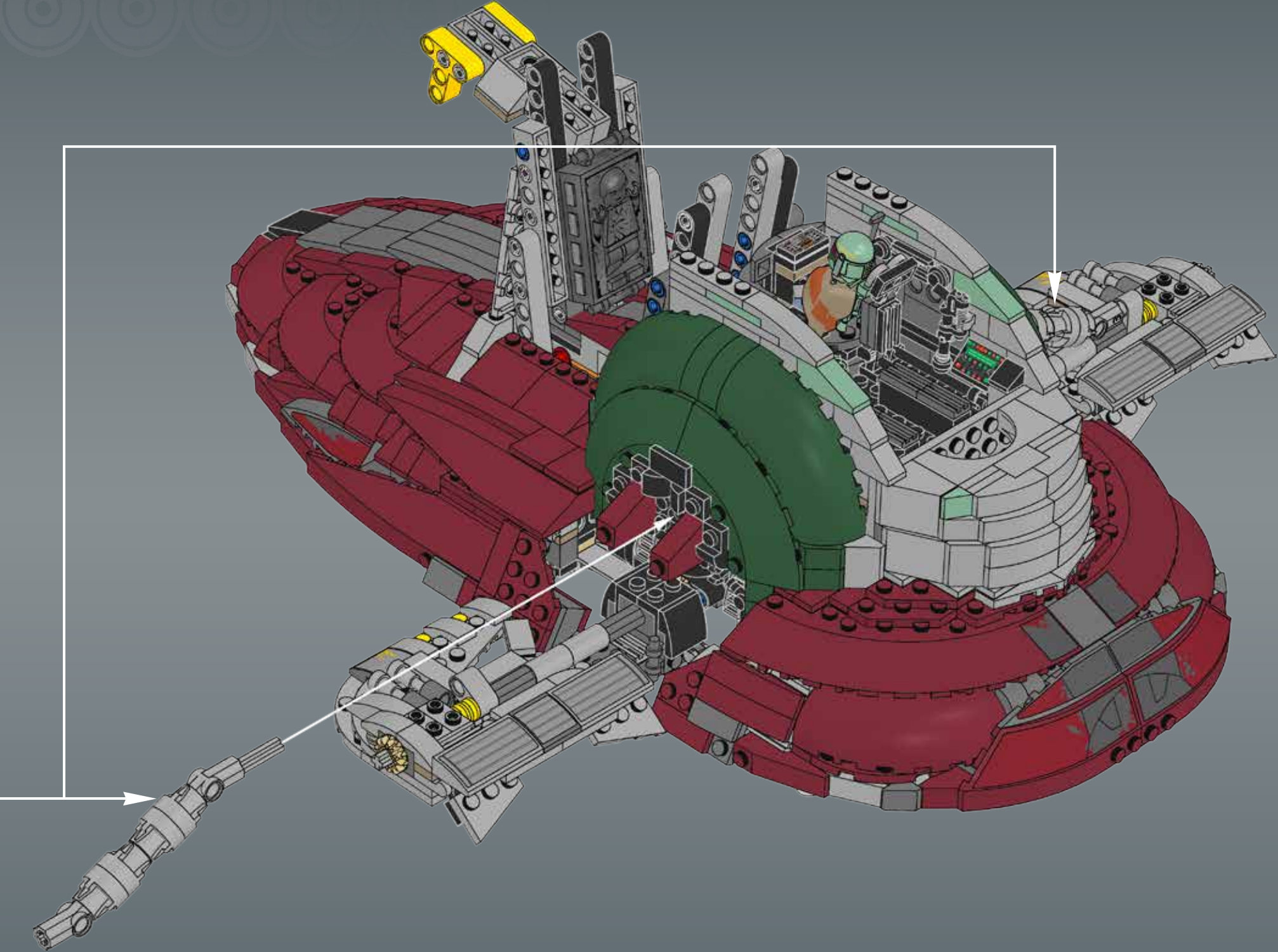




95

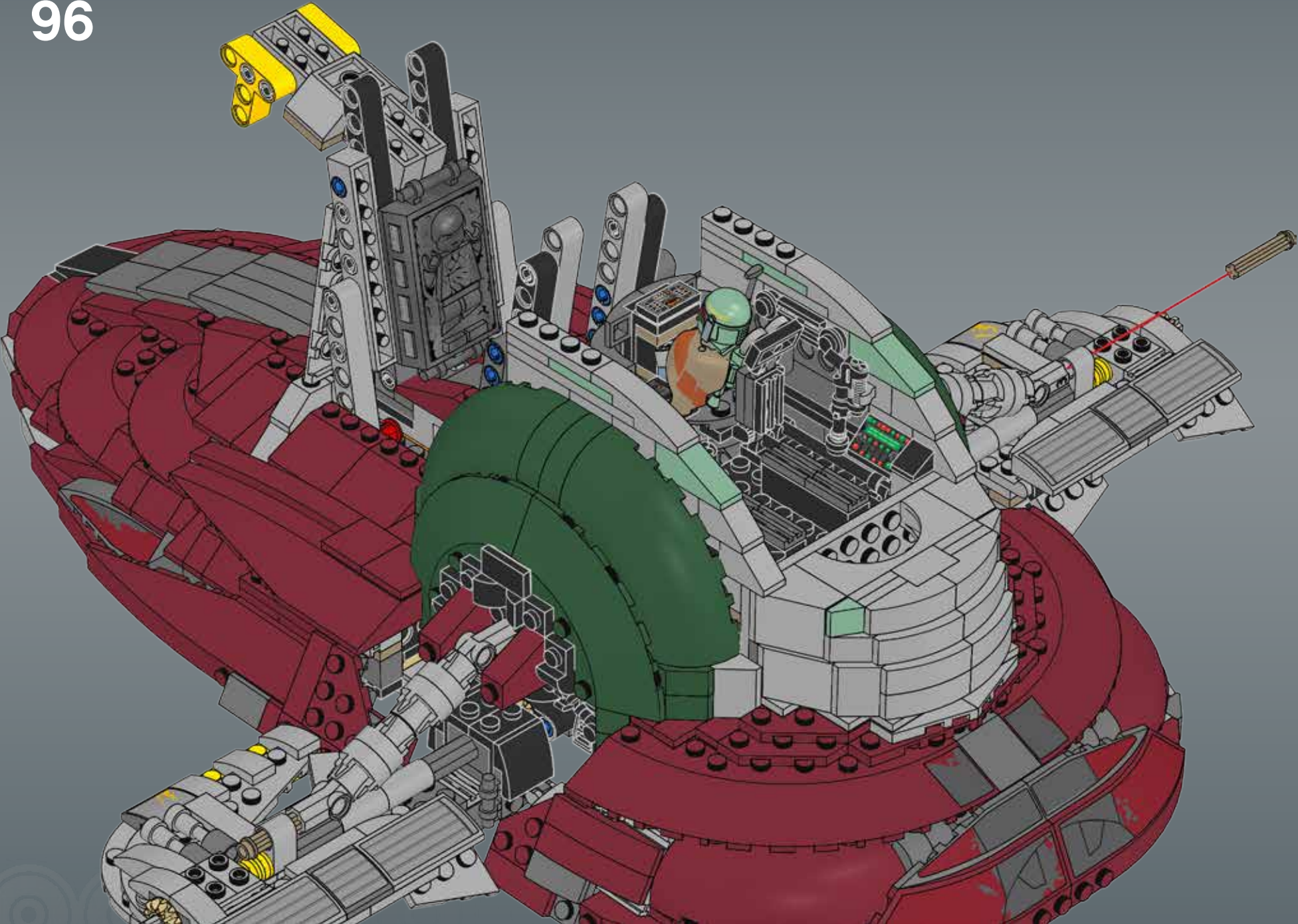


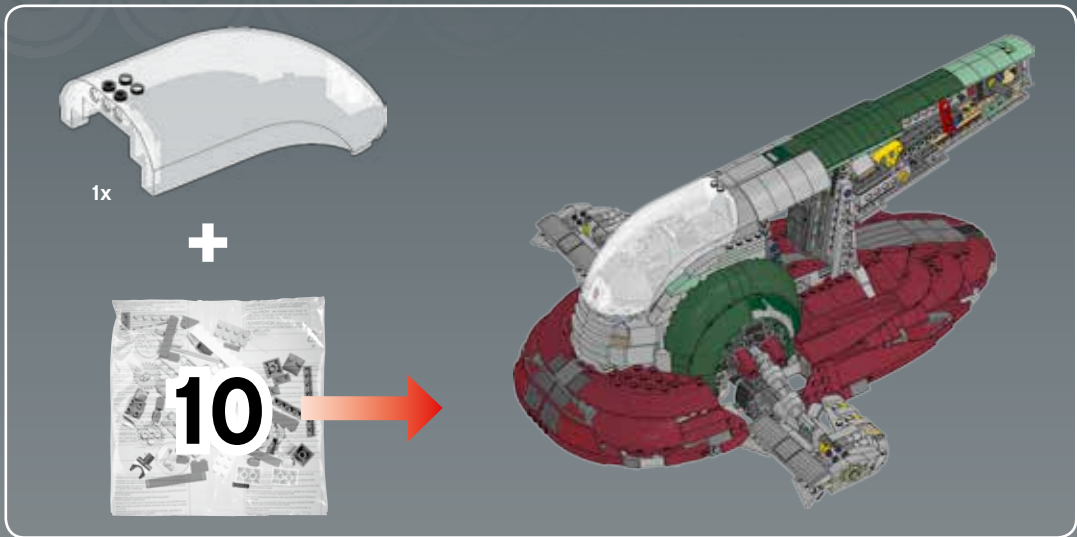
2x



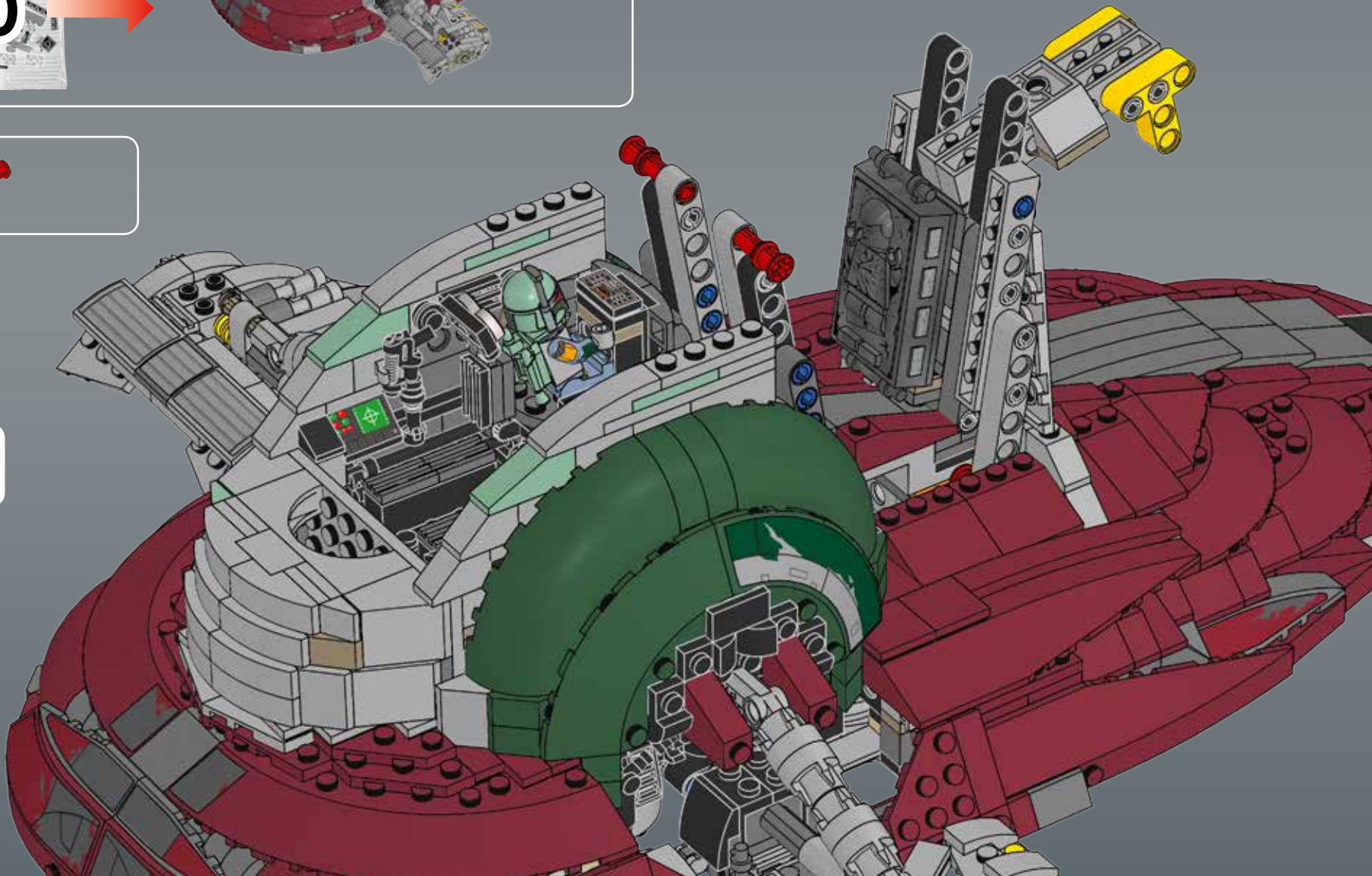


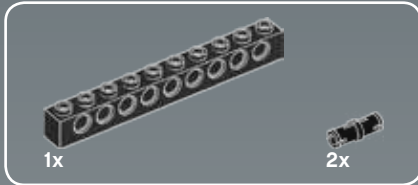
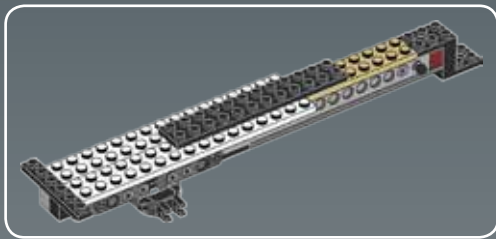
96



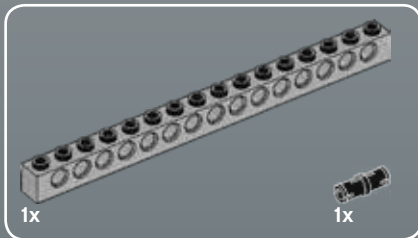


97

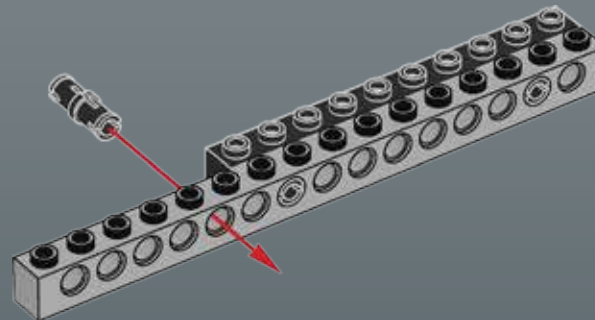


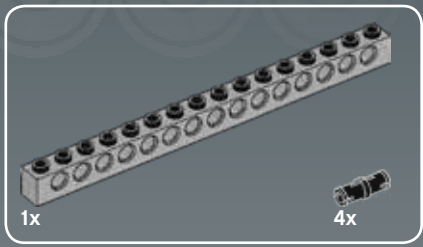


1

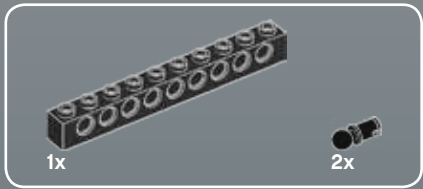
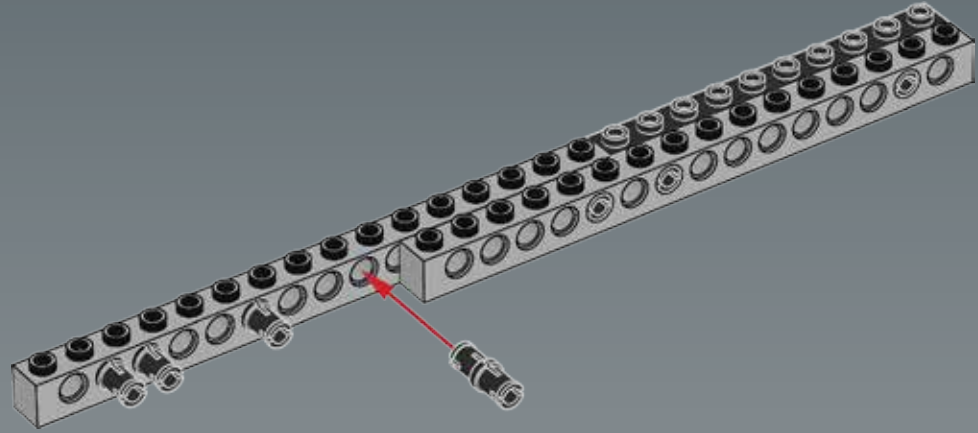


2

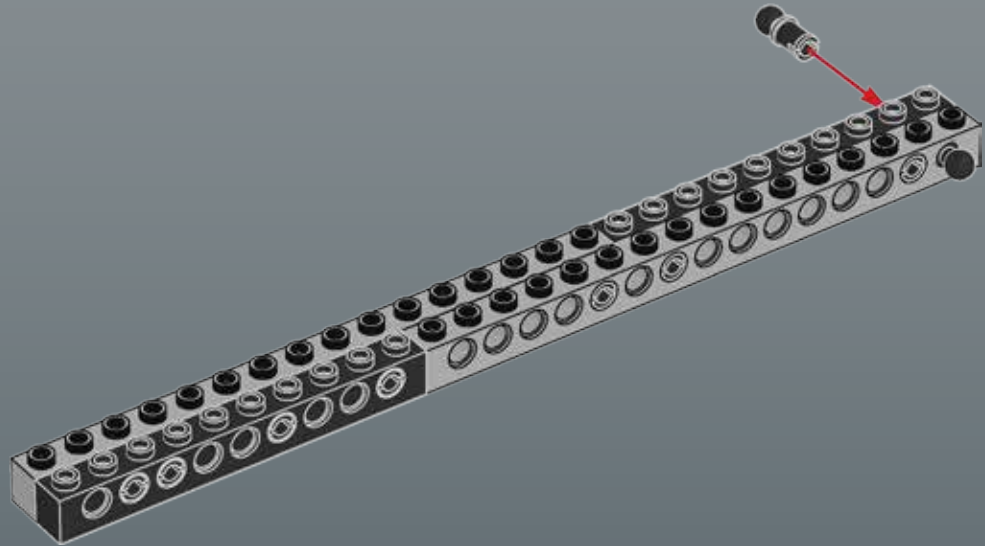


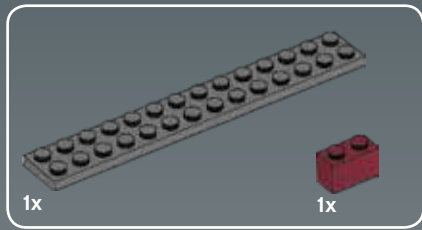


3

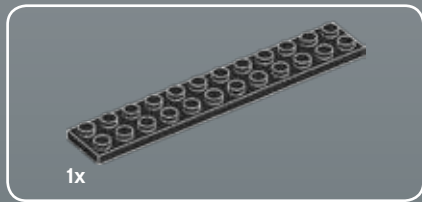
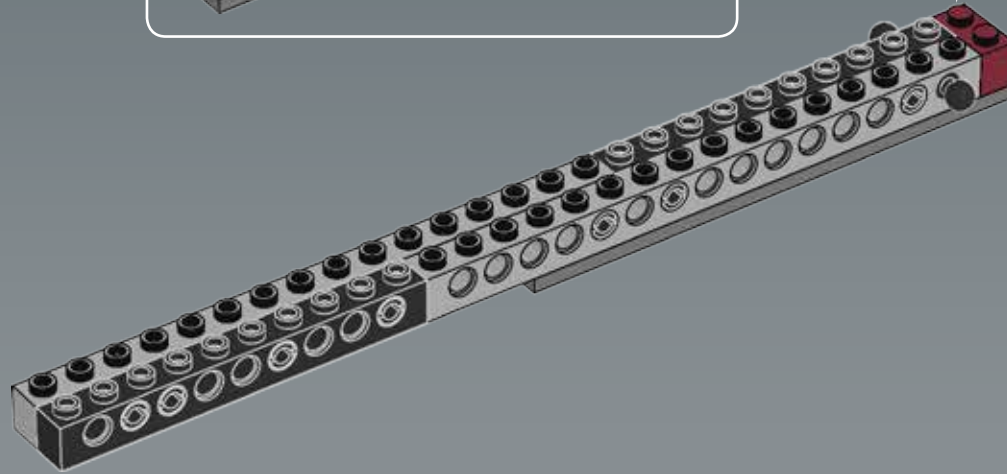
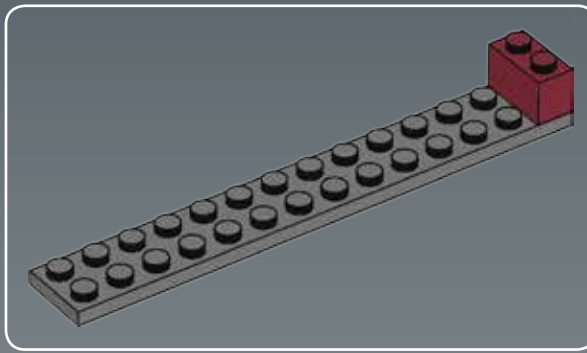


4

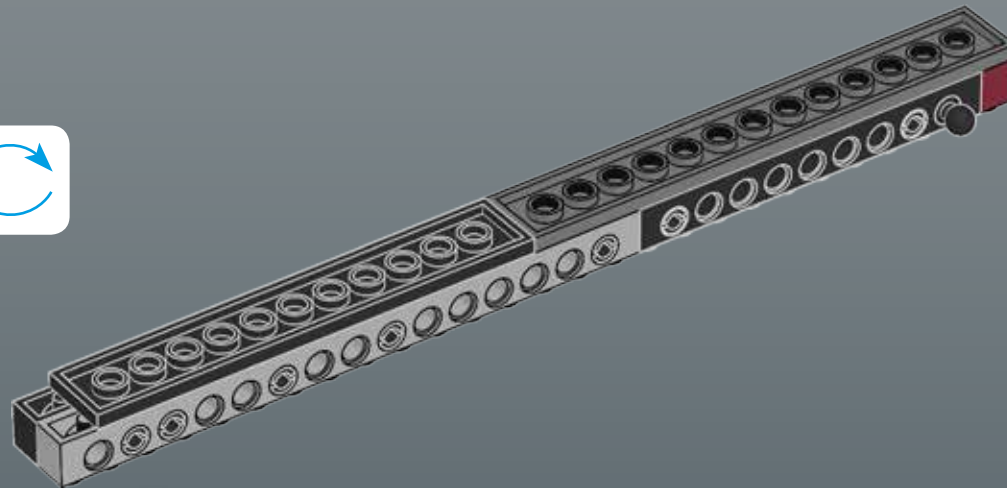




5

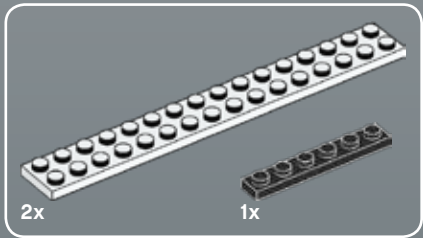
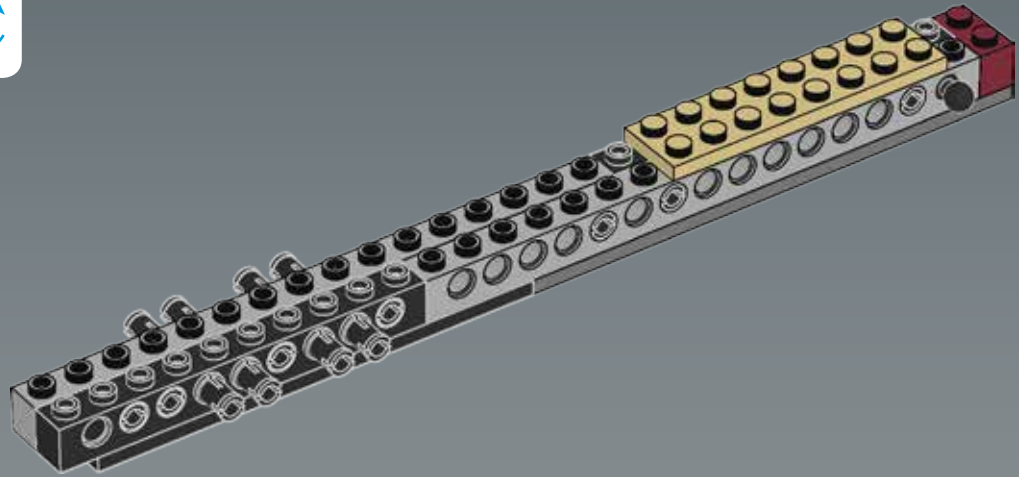


6

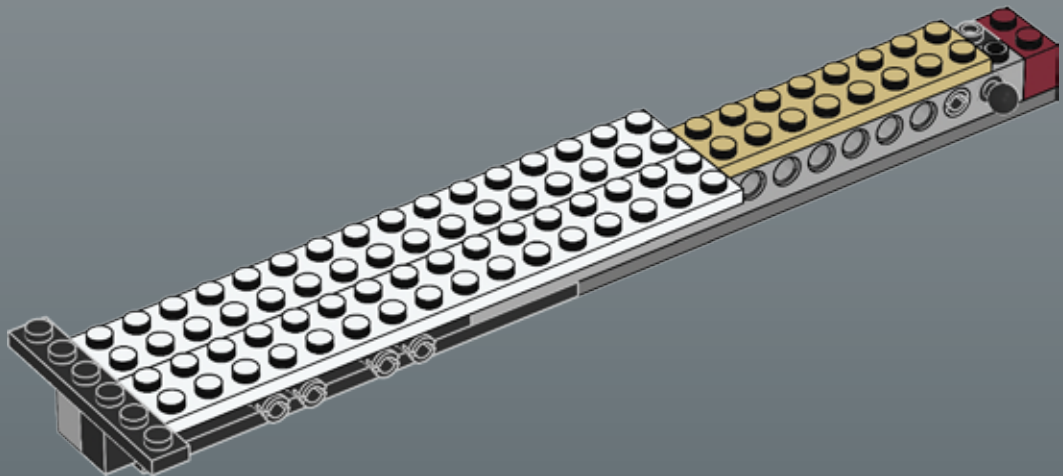


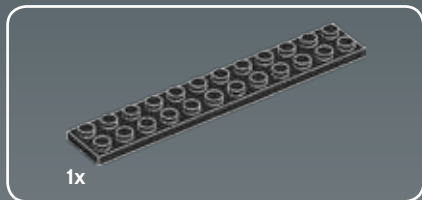


7

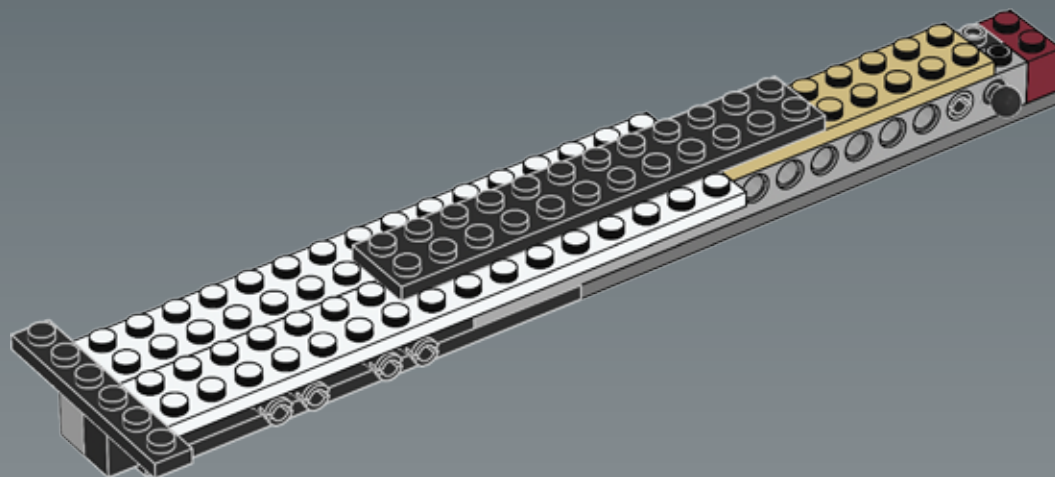


8

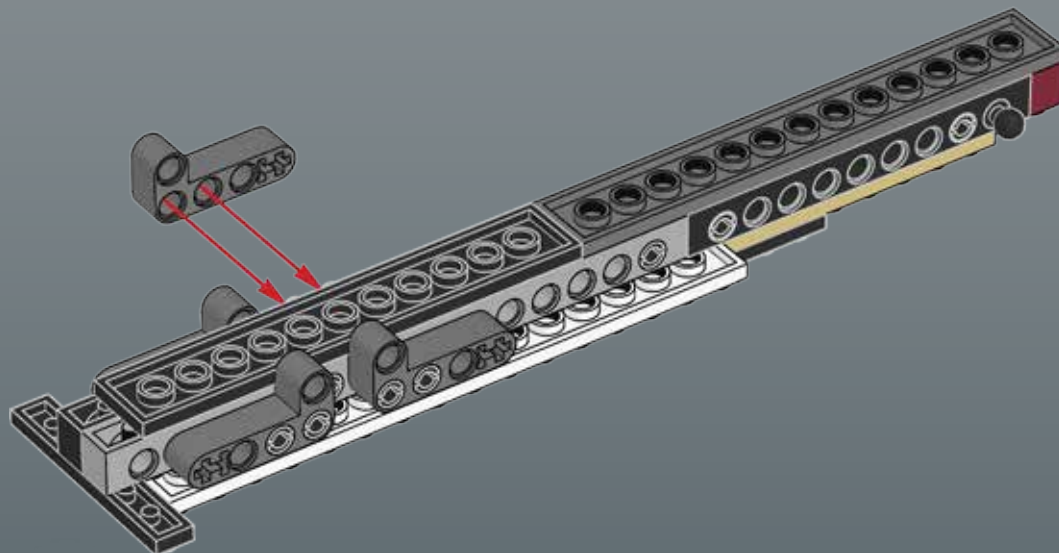




9



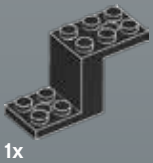
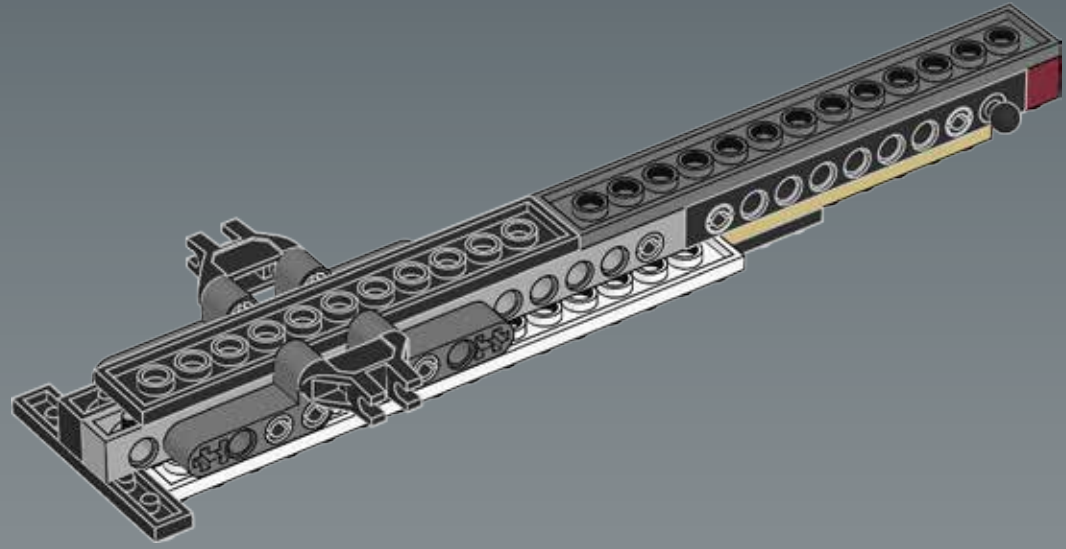
10





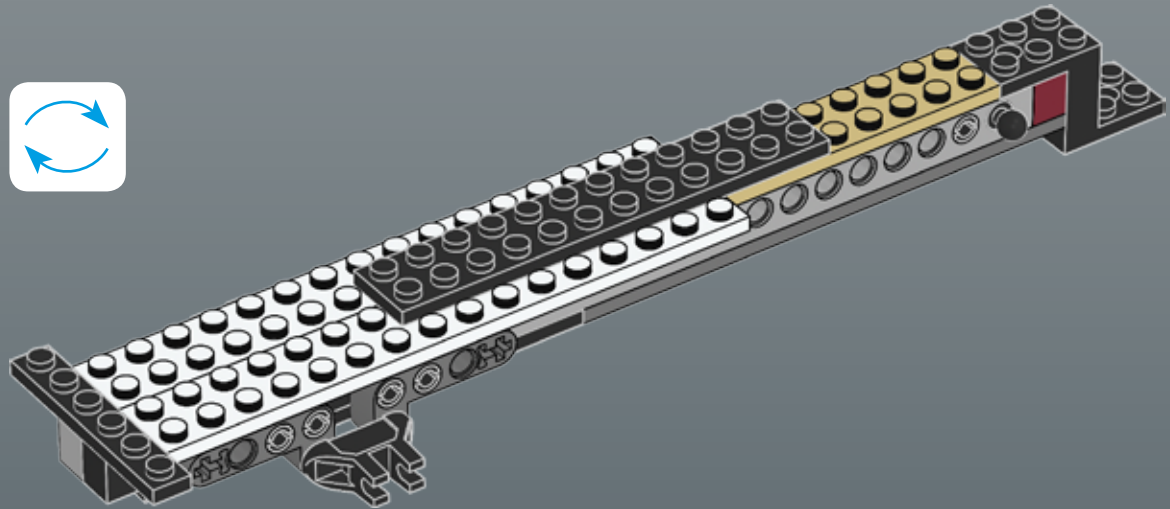
2x

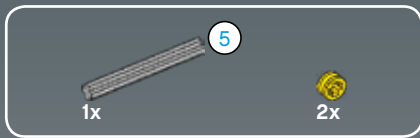
11



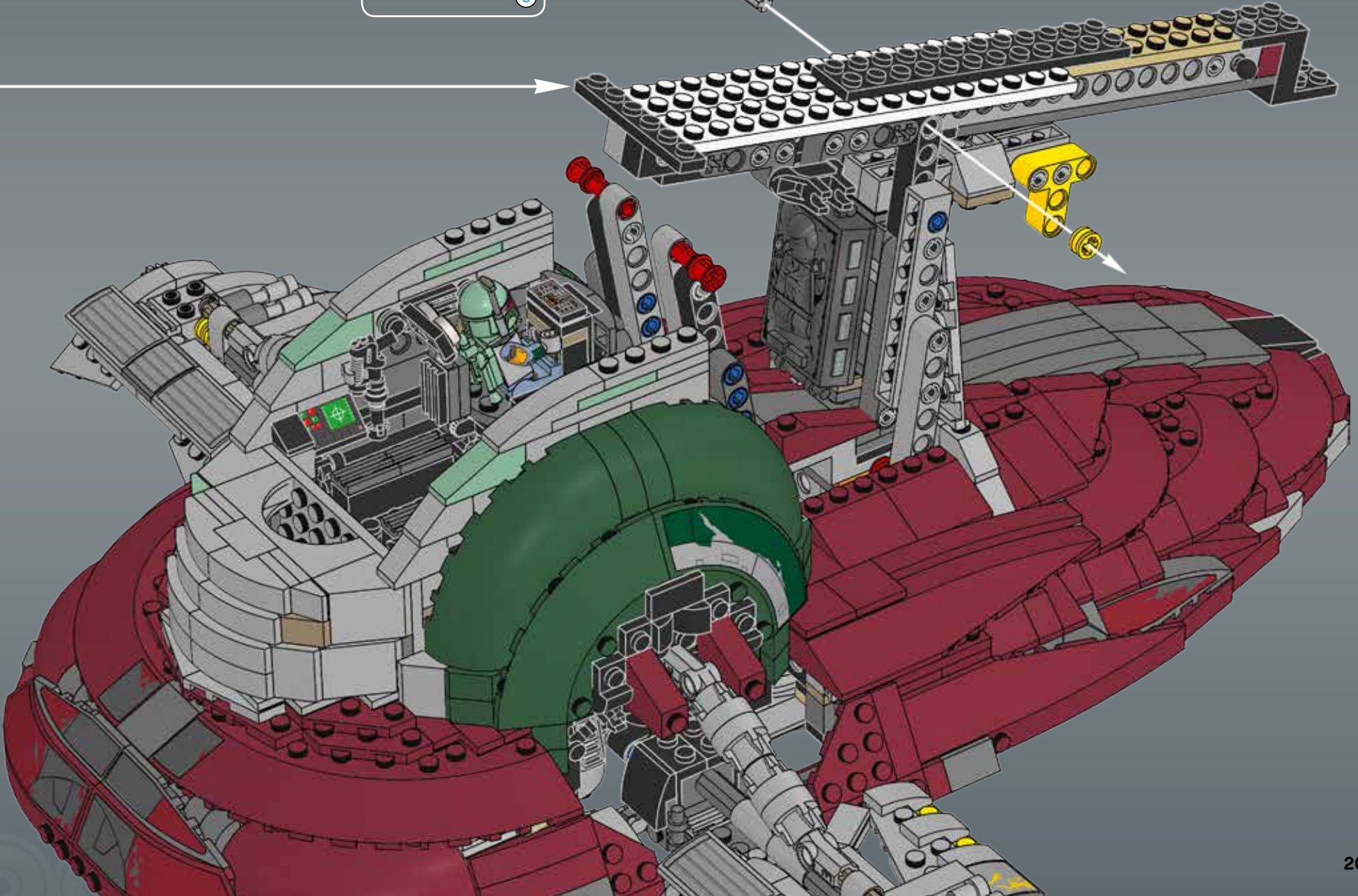
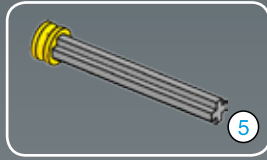
1x

12

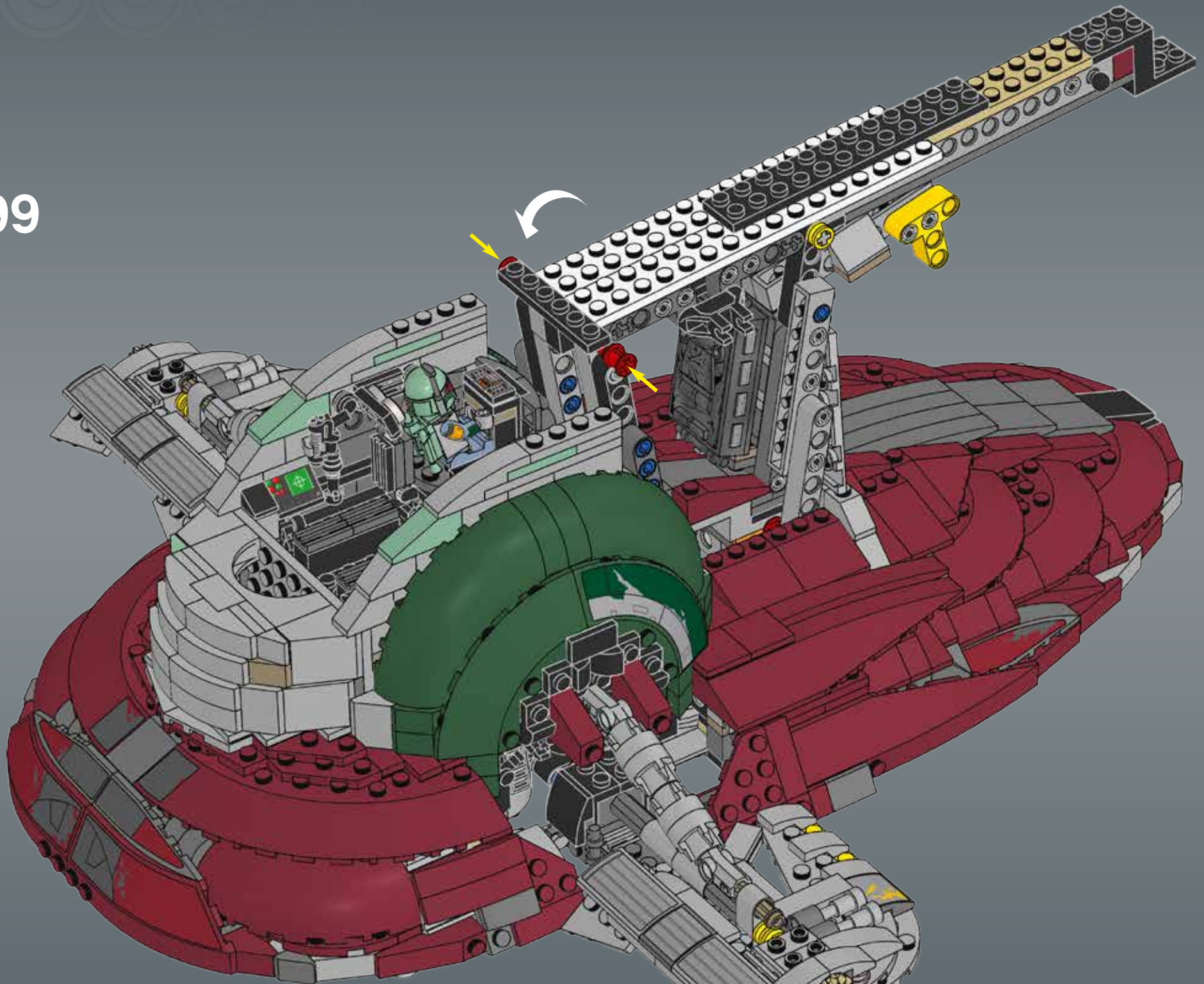




98

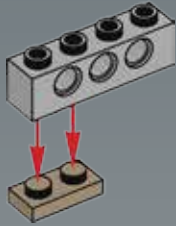


99

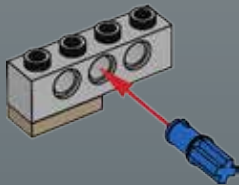




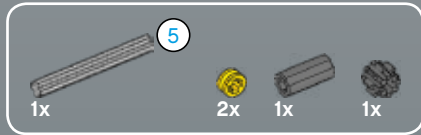
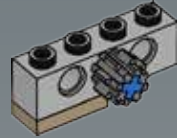
1



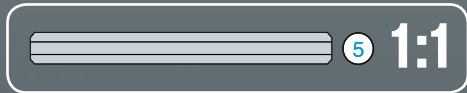
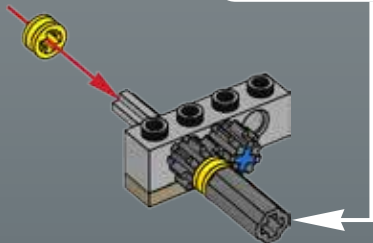
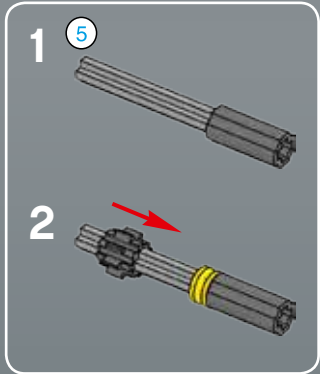
2



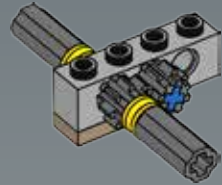
3



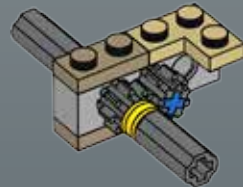
4



5

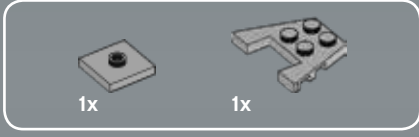
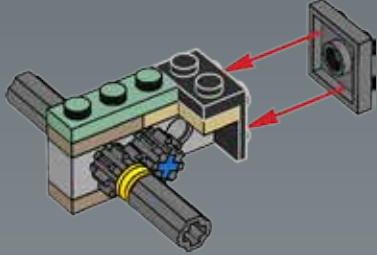


6

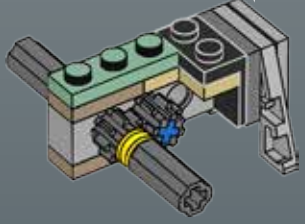
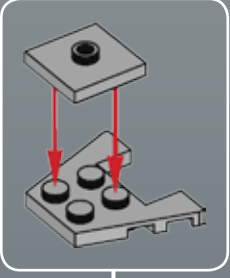




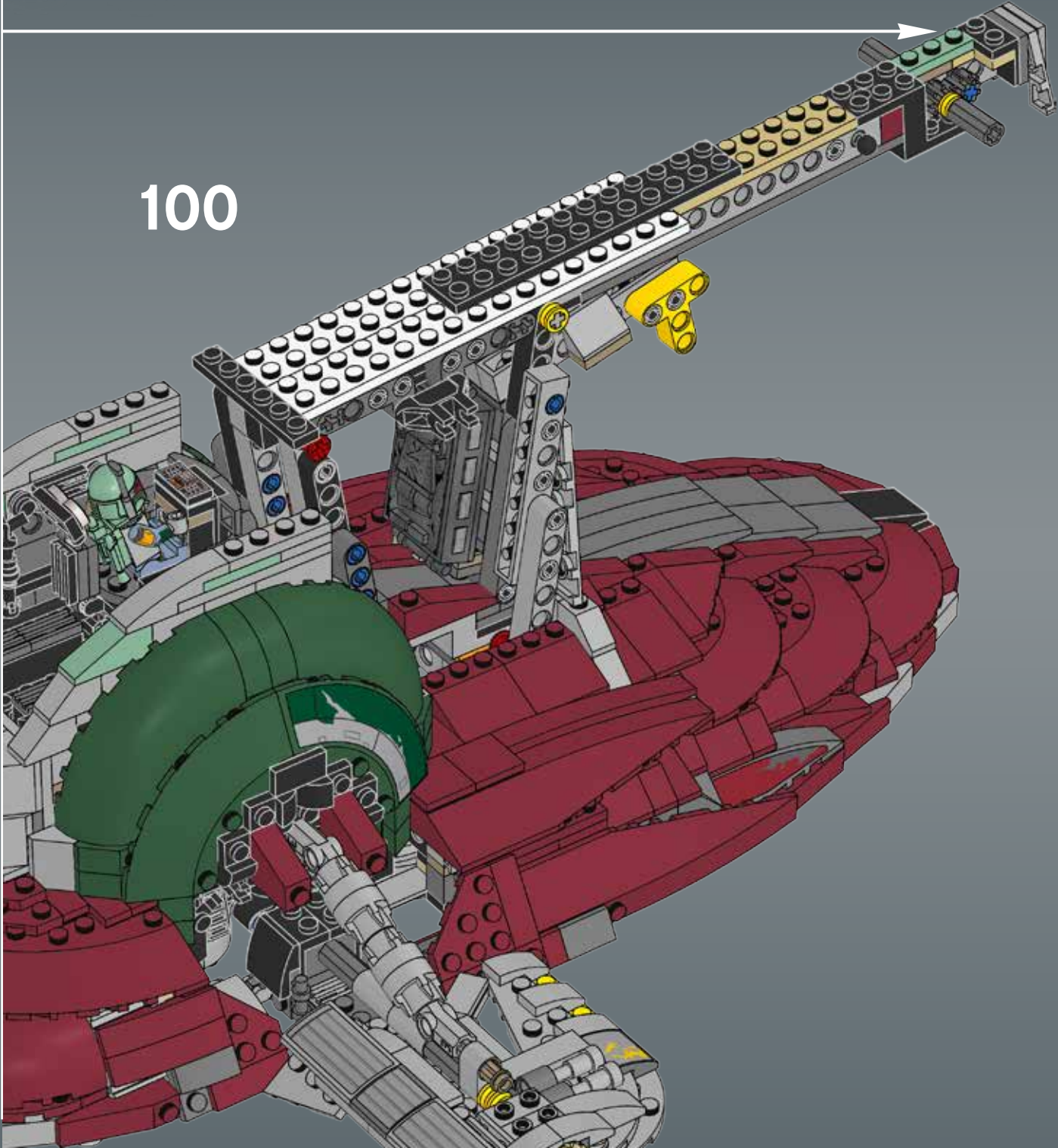
7

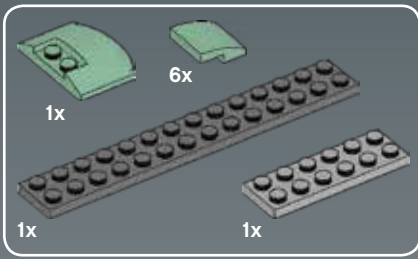


8

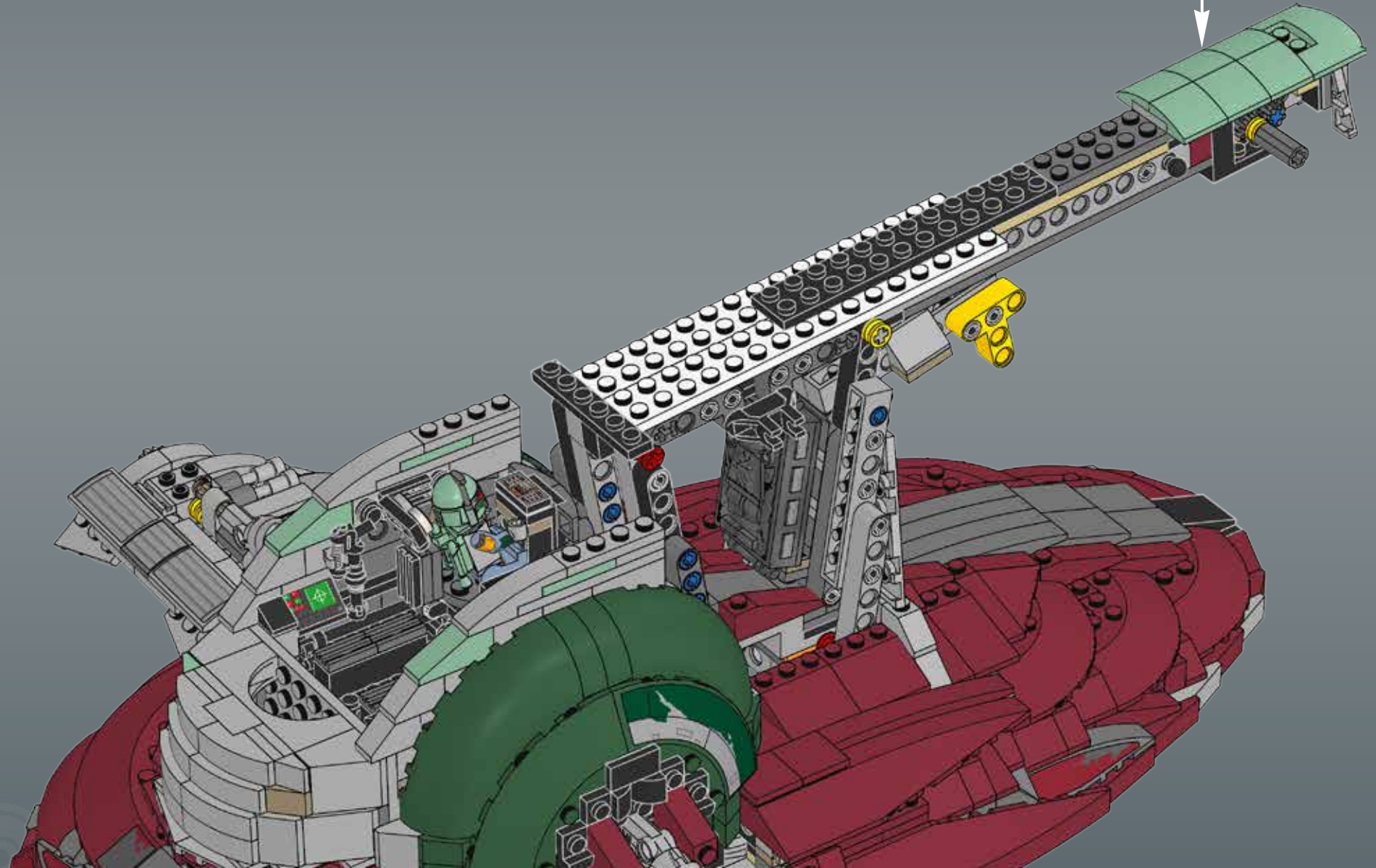
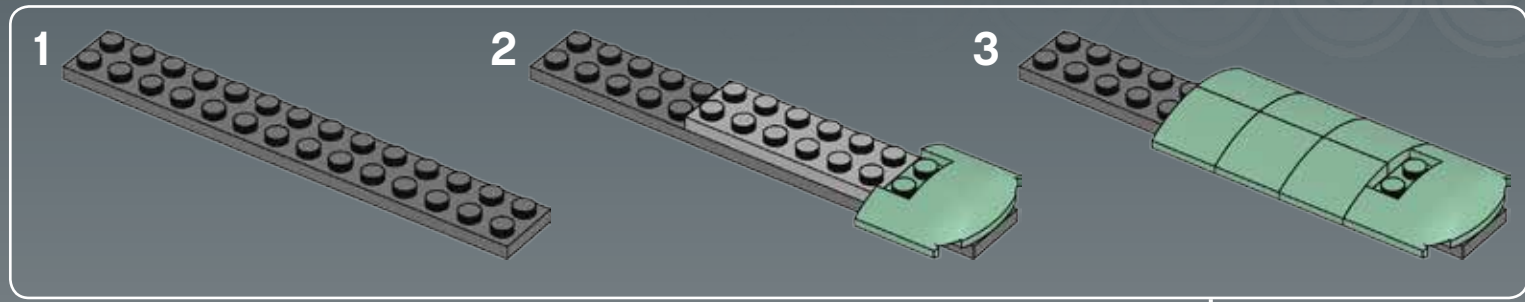


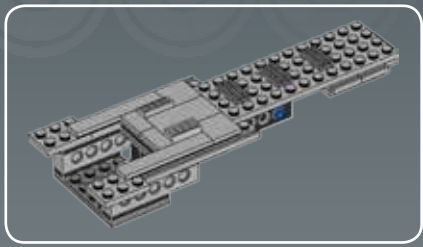
100





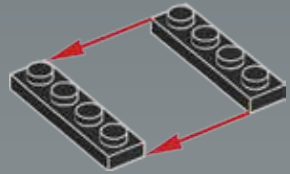
101





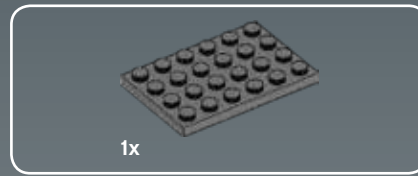
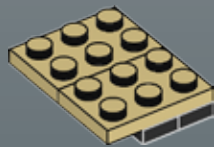
2x

1



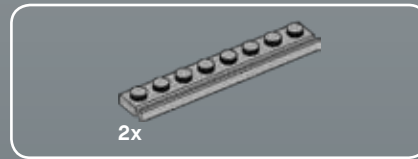
2x

2



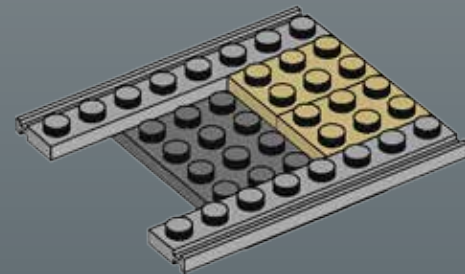
1x

3



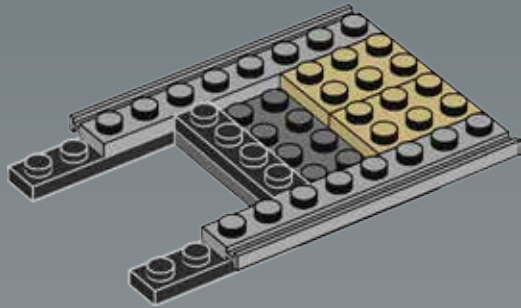
2x

4

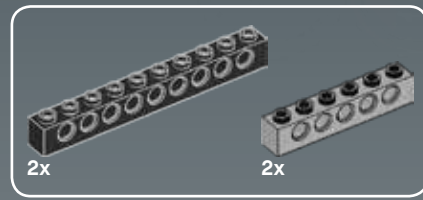
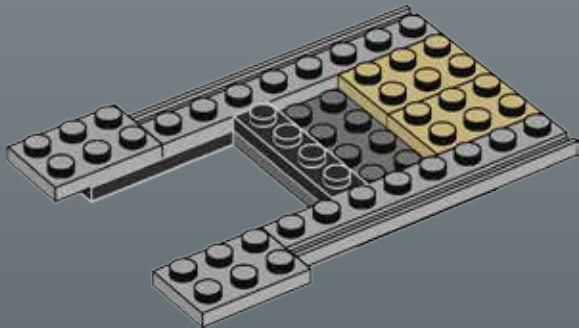




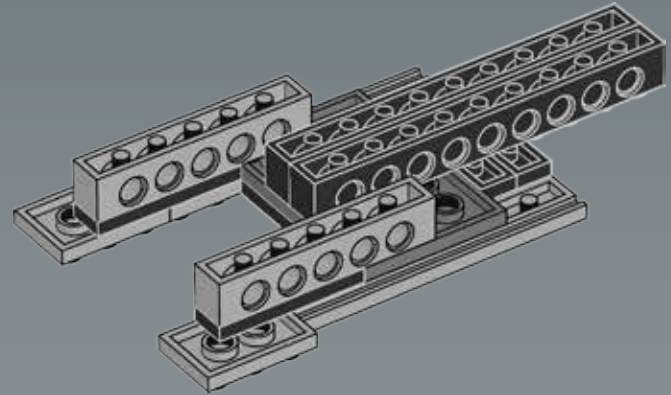
5



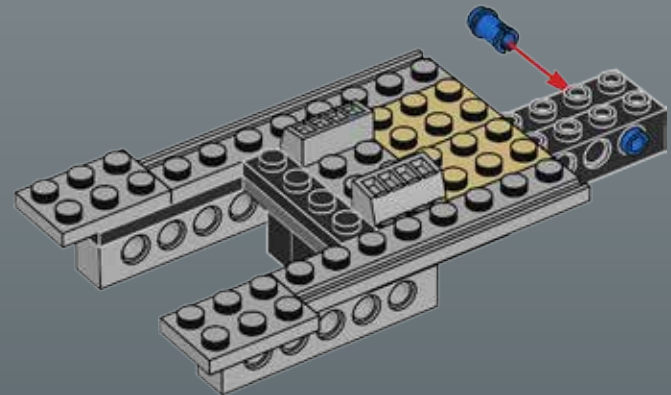
6

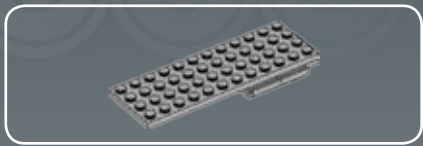


7

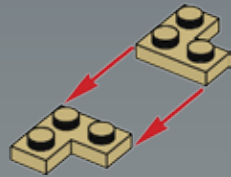


8

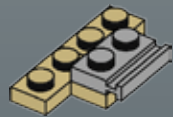




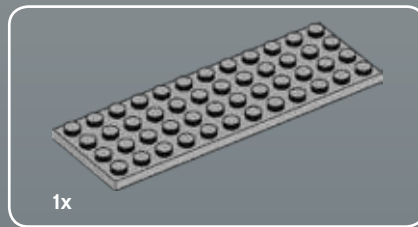
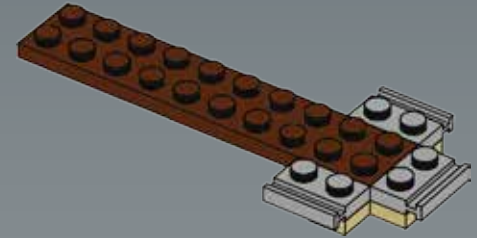
1



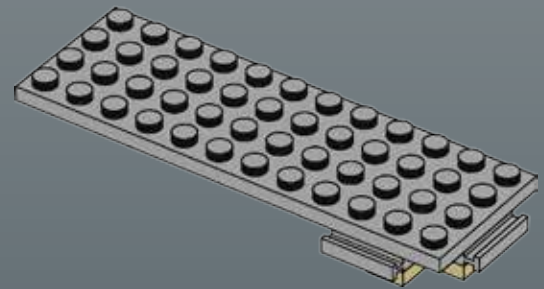
2



3

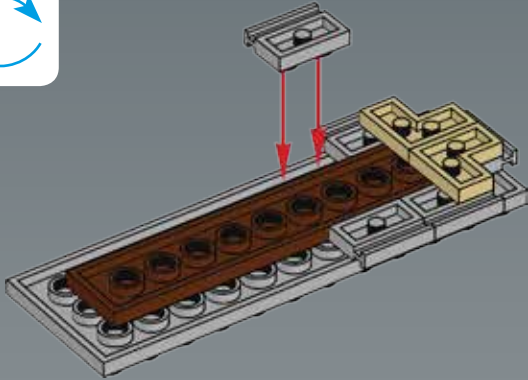


4

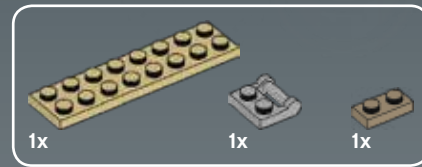
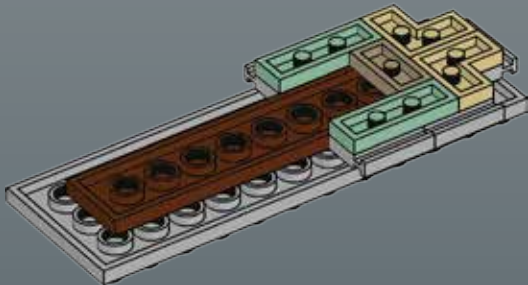




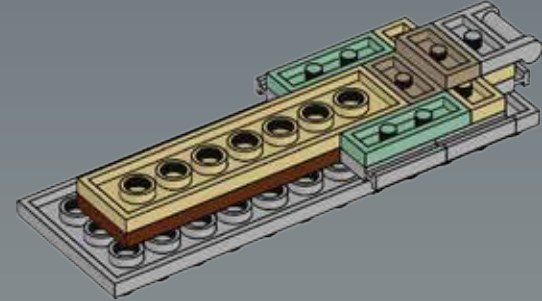
5



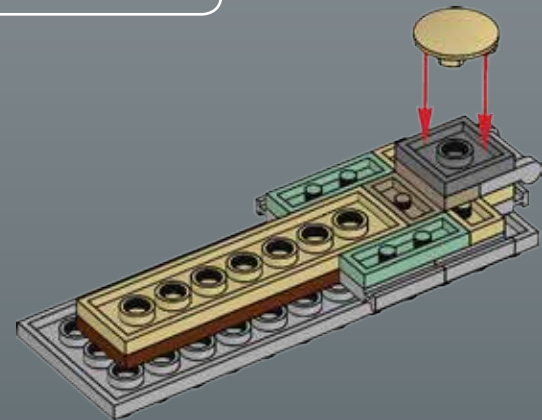
6



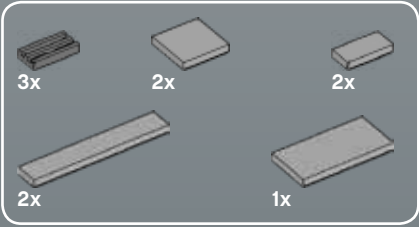
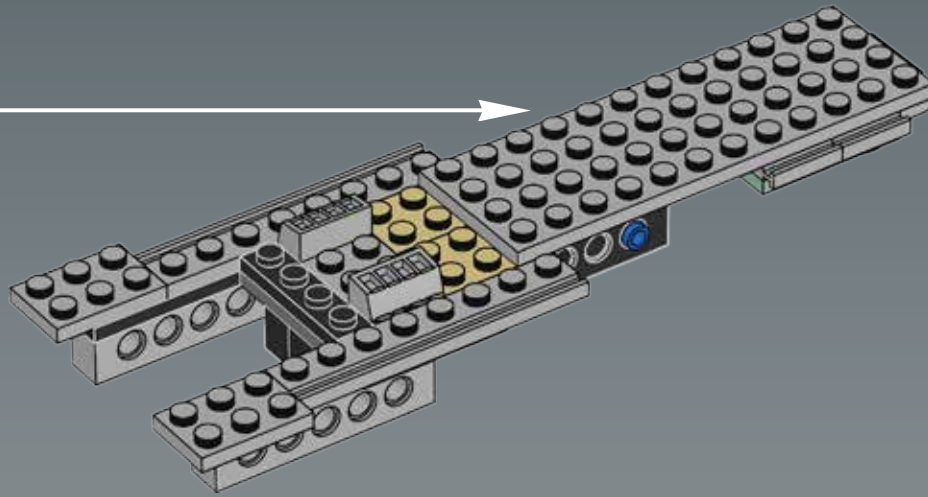
7



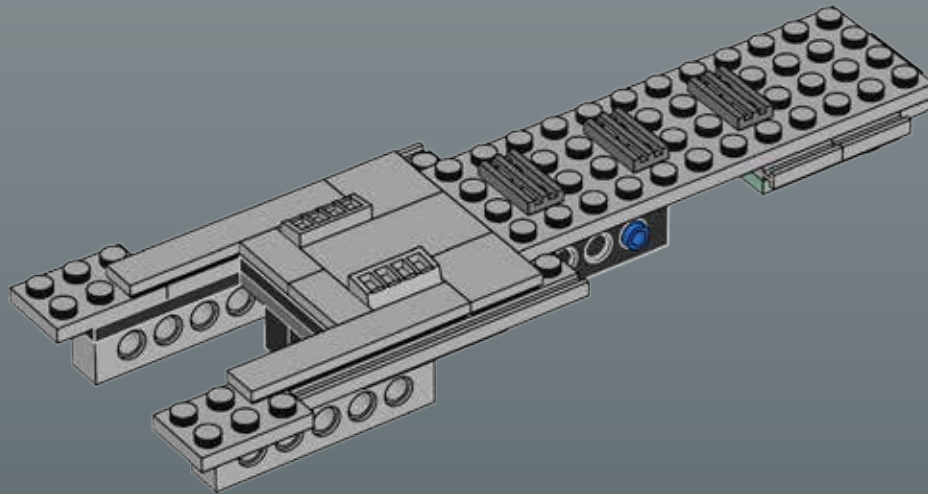
8

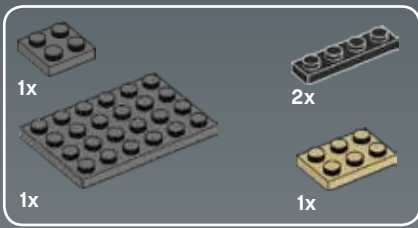


9

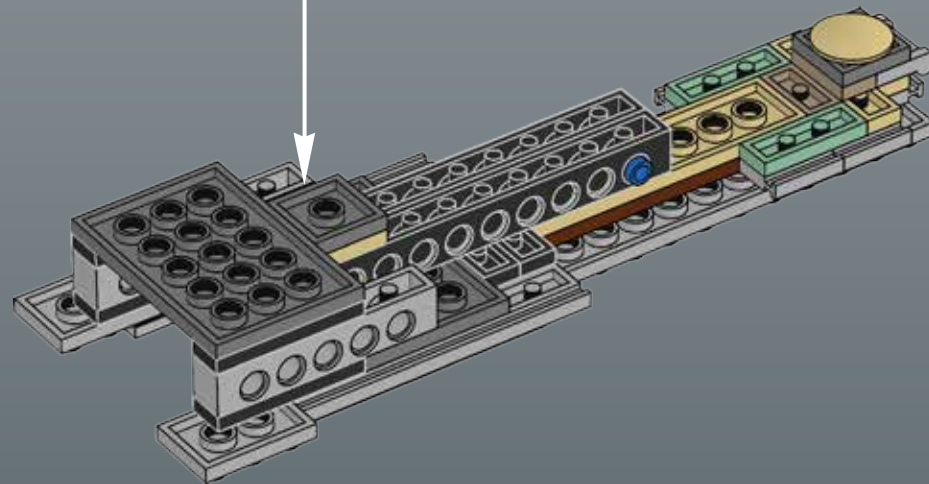
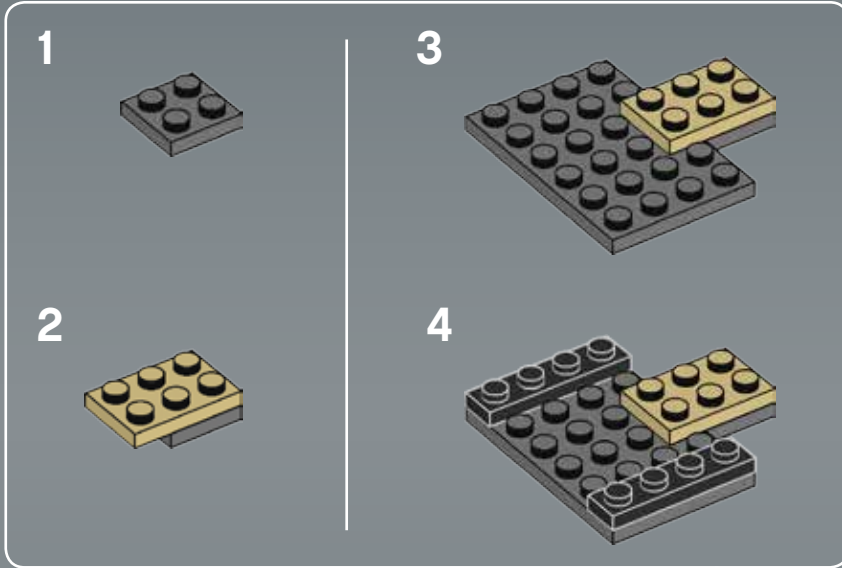


10

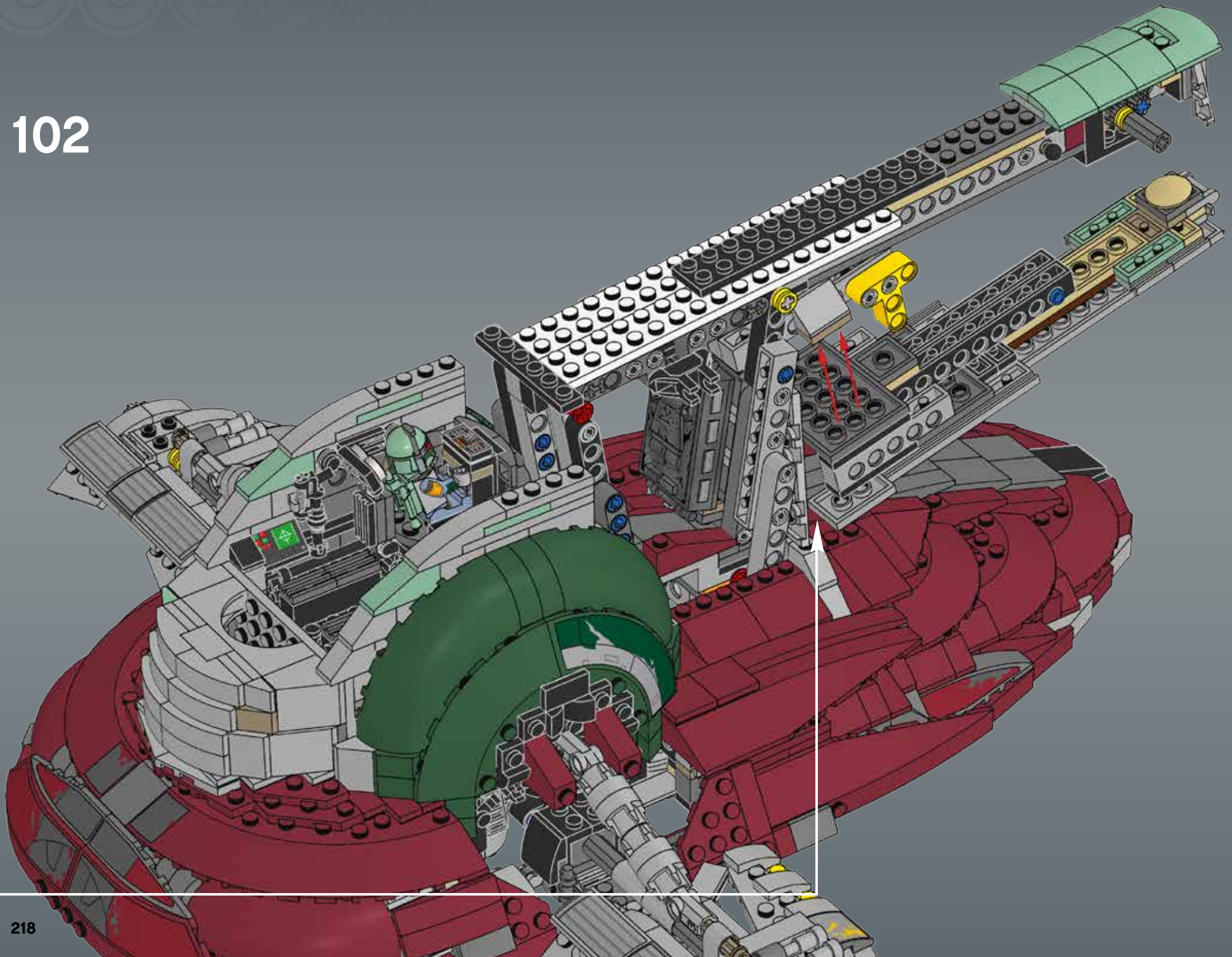


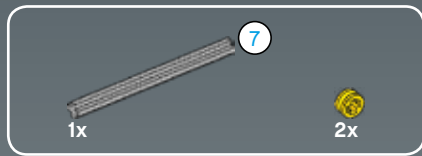


11

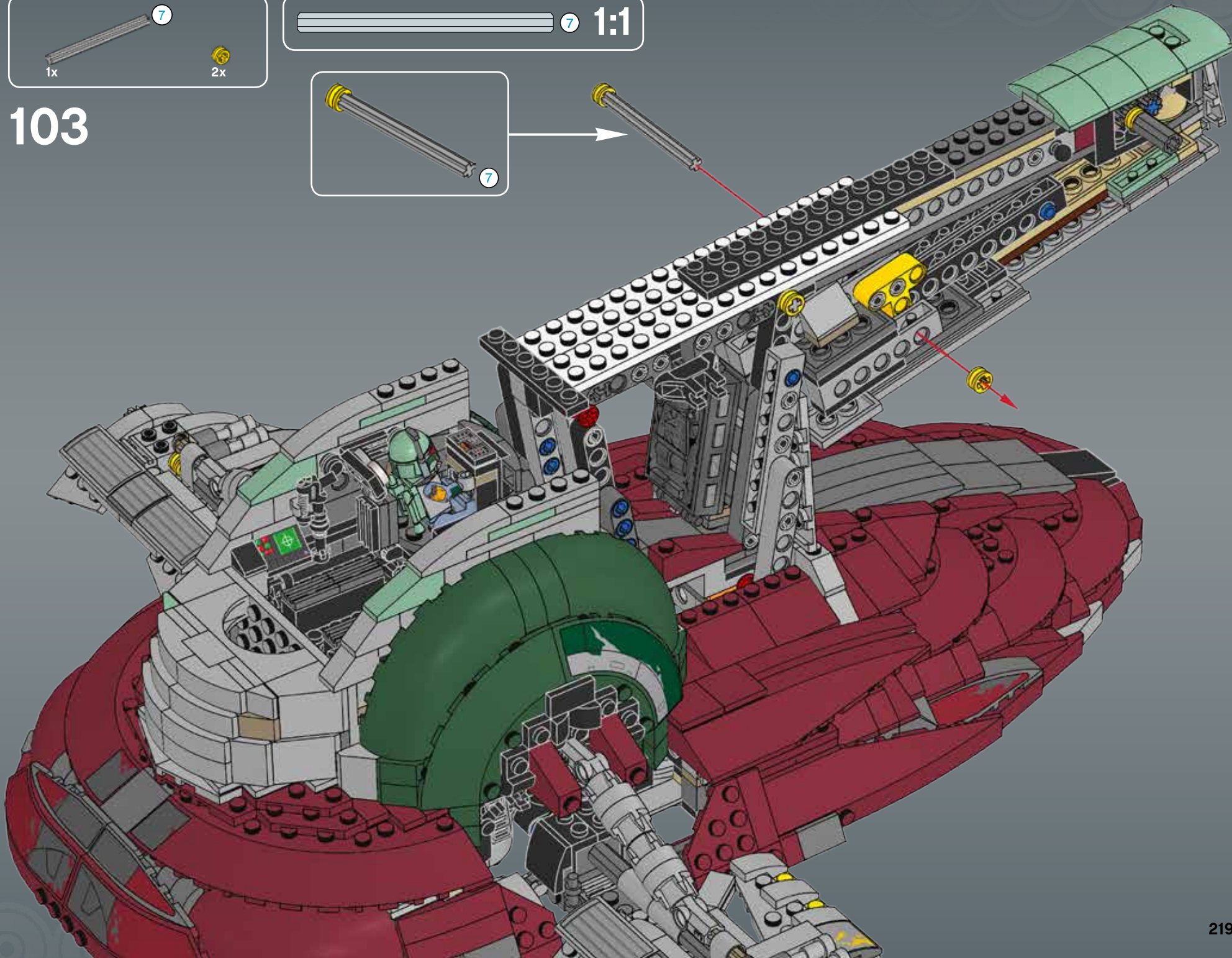
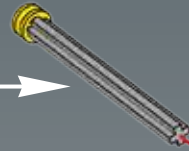
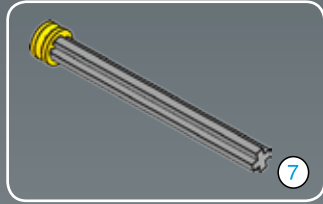


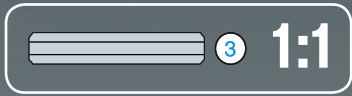
102



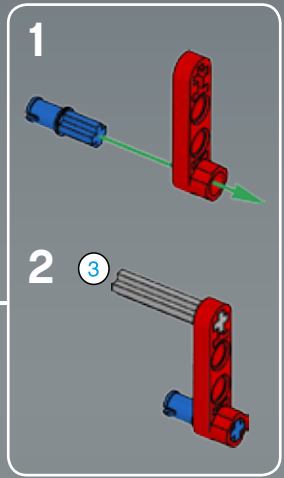
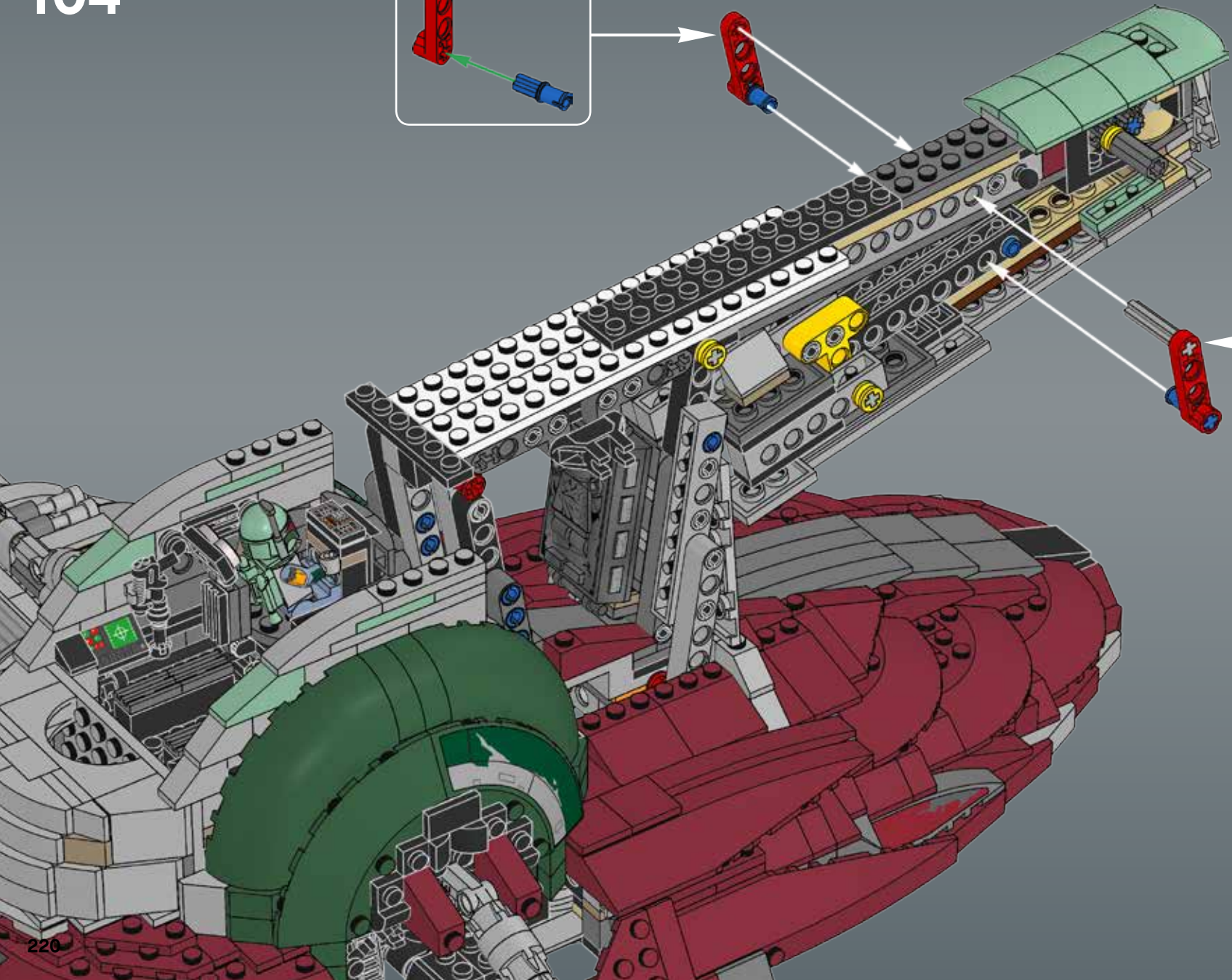
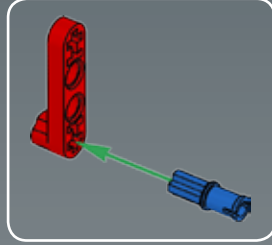


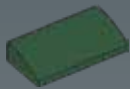
103





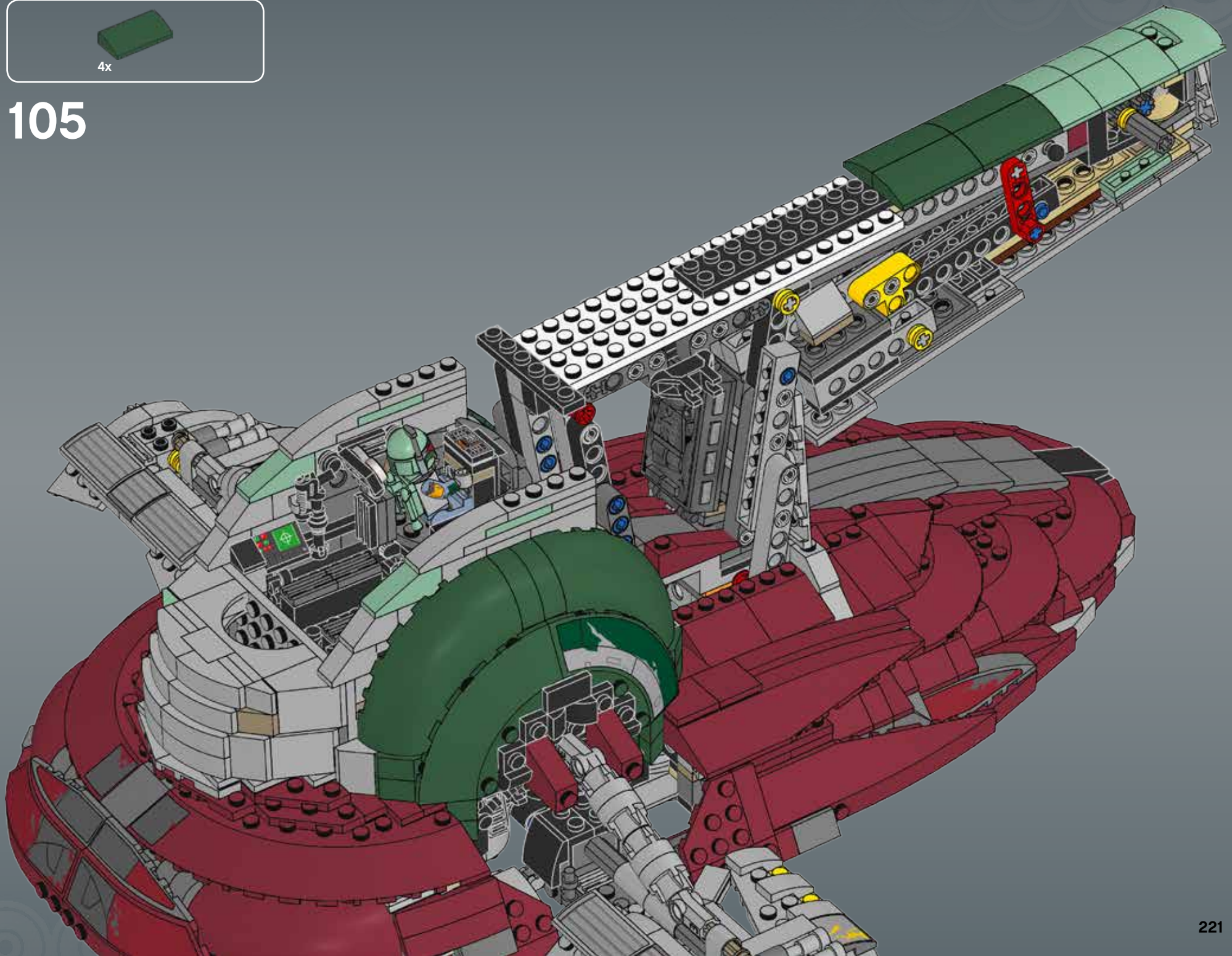
104

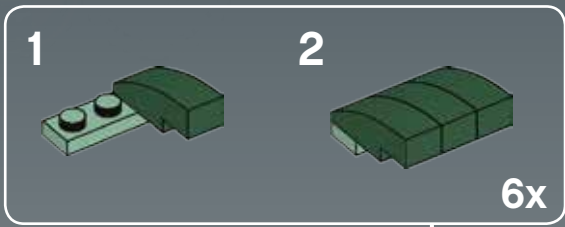




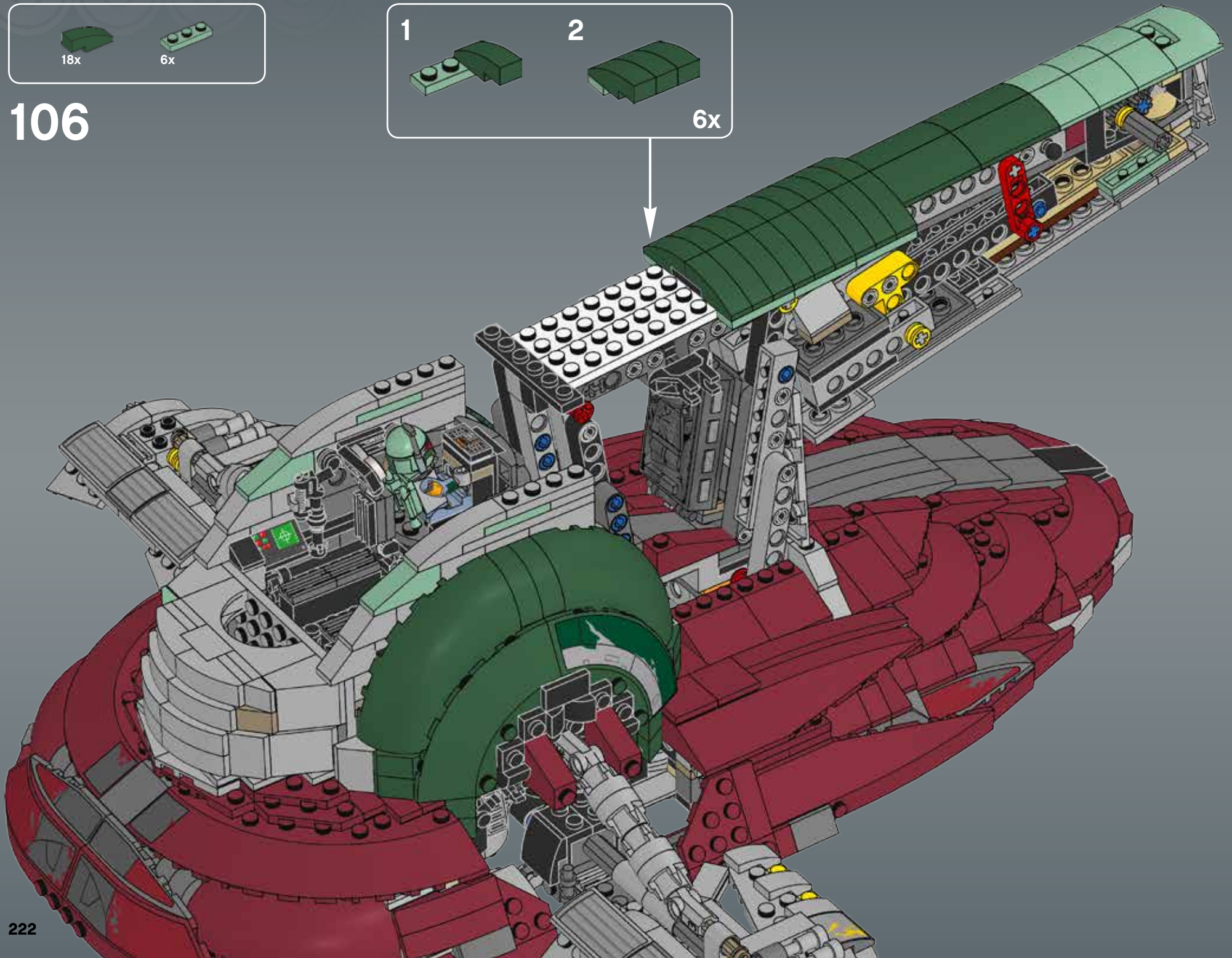
4x

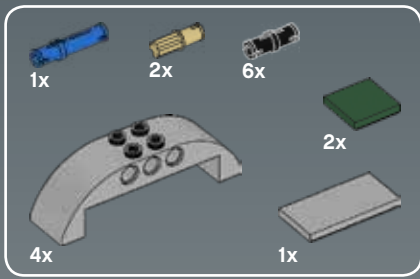
105



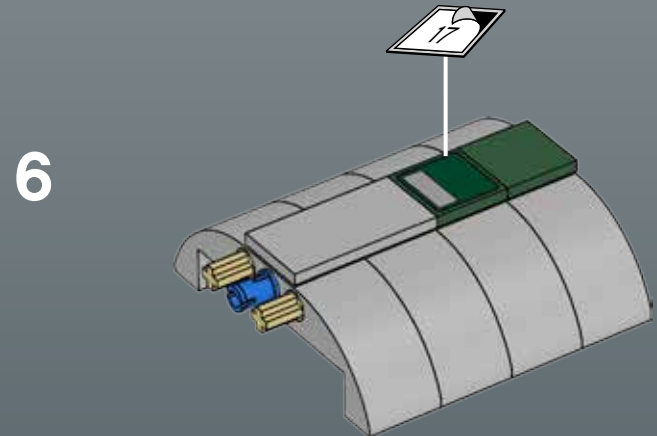
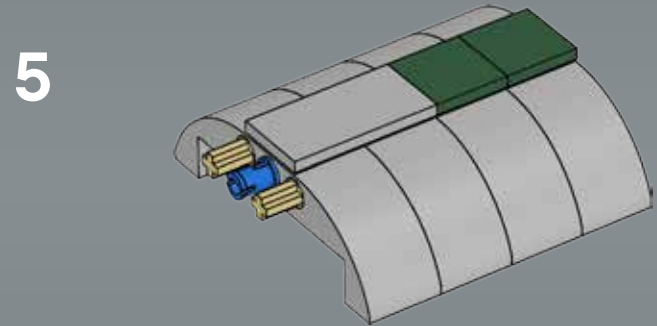
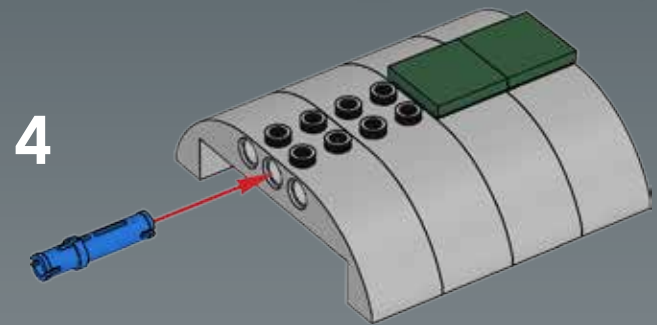
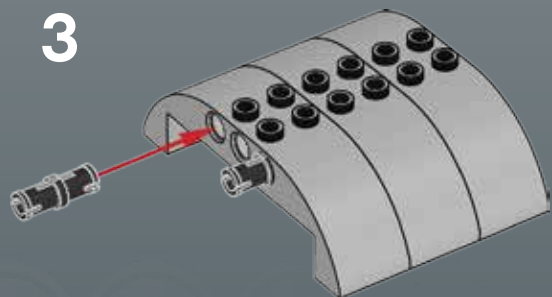
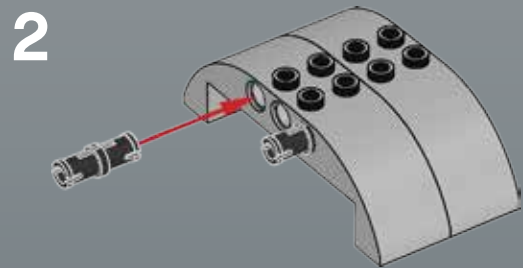
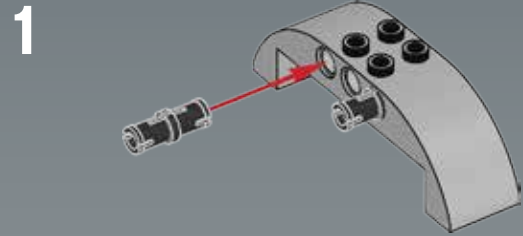


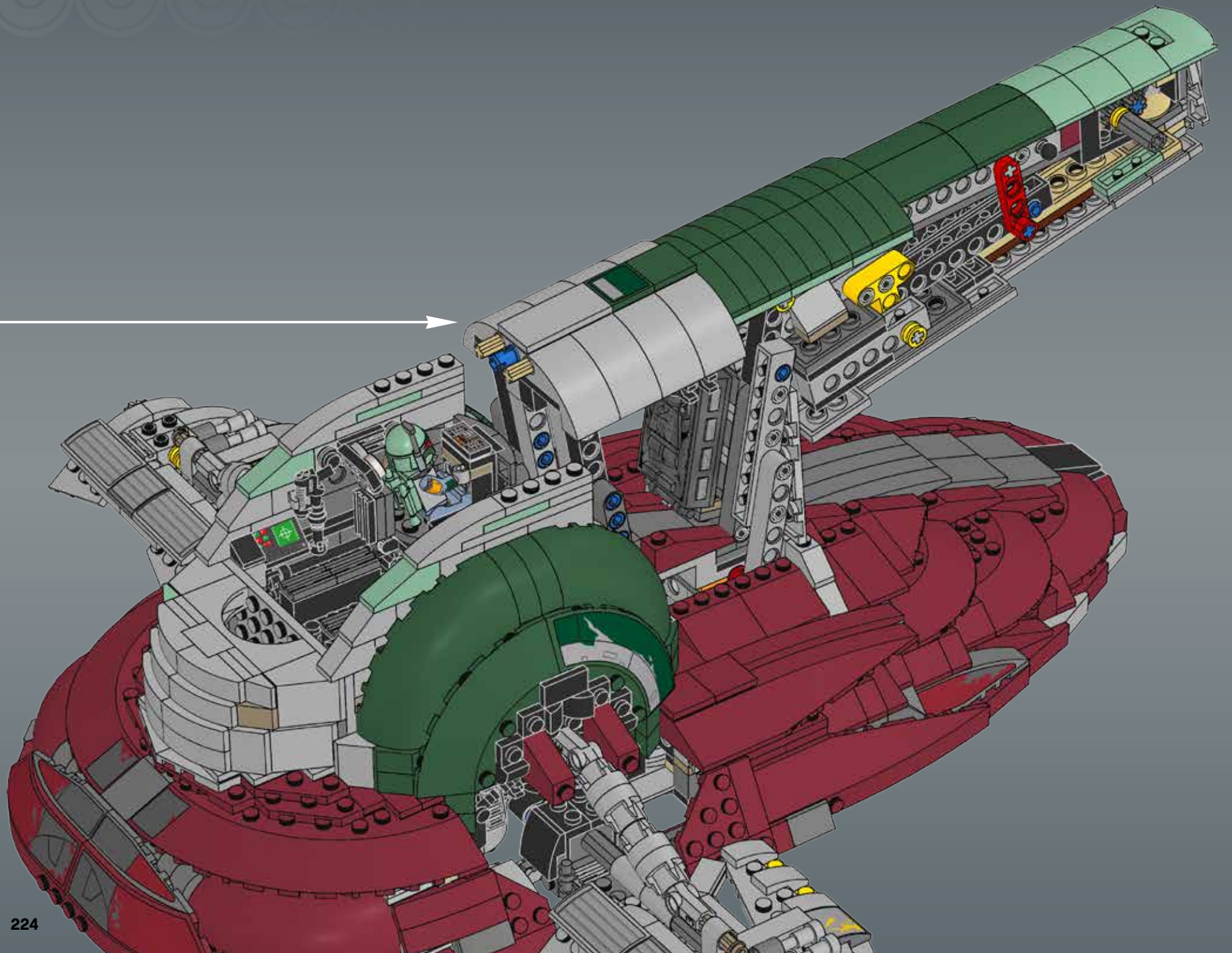
106





107

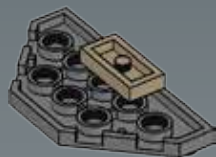




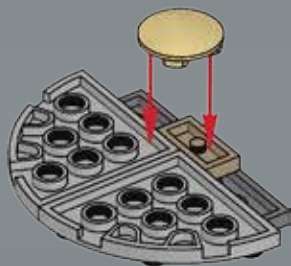


108

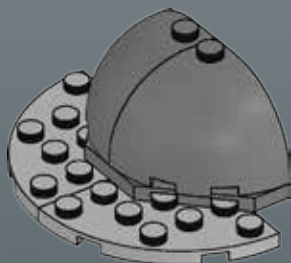
2



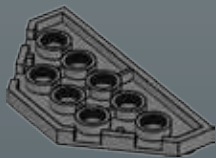
3



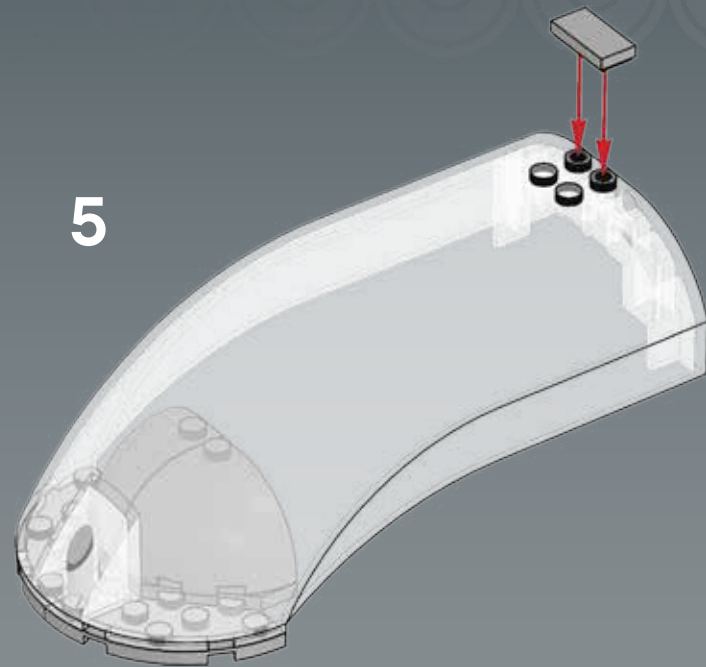
4



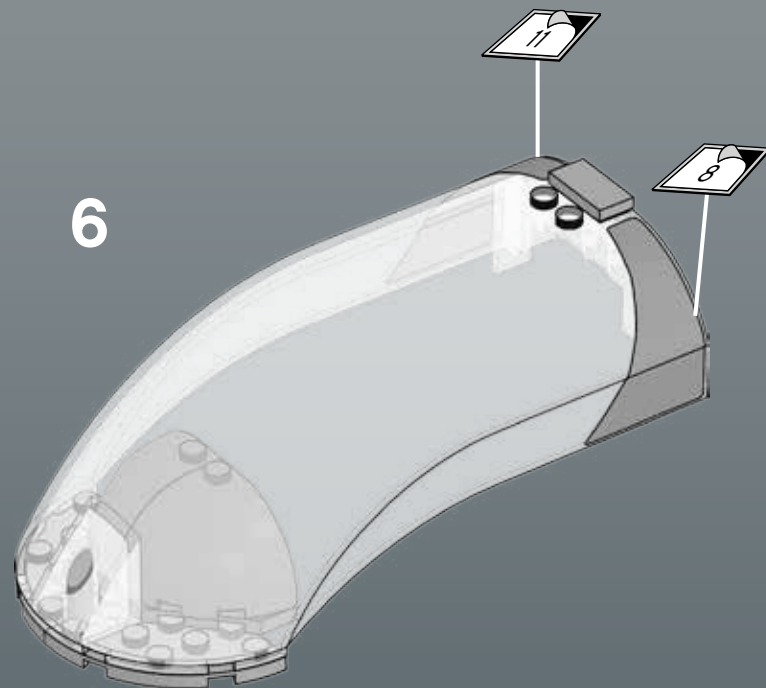
1

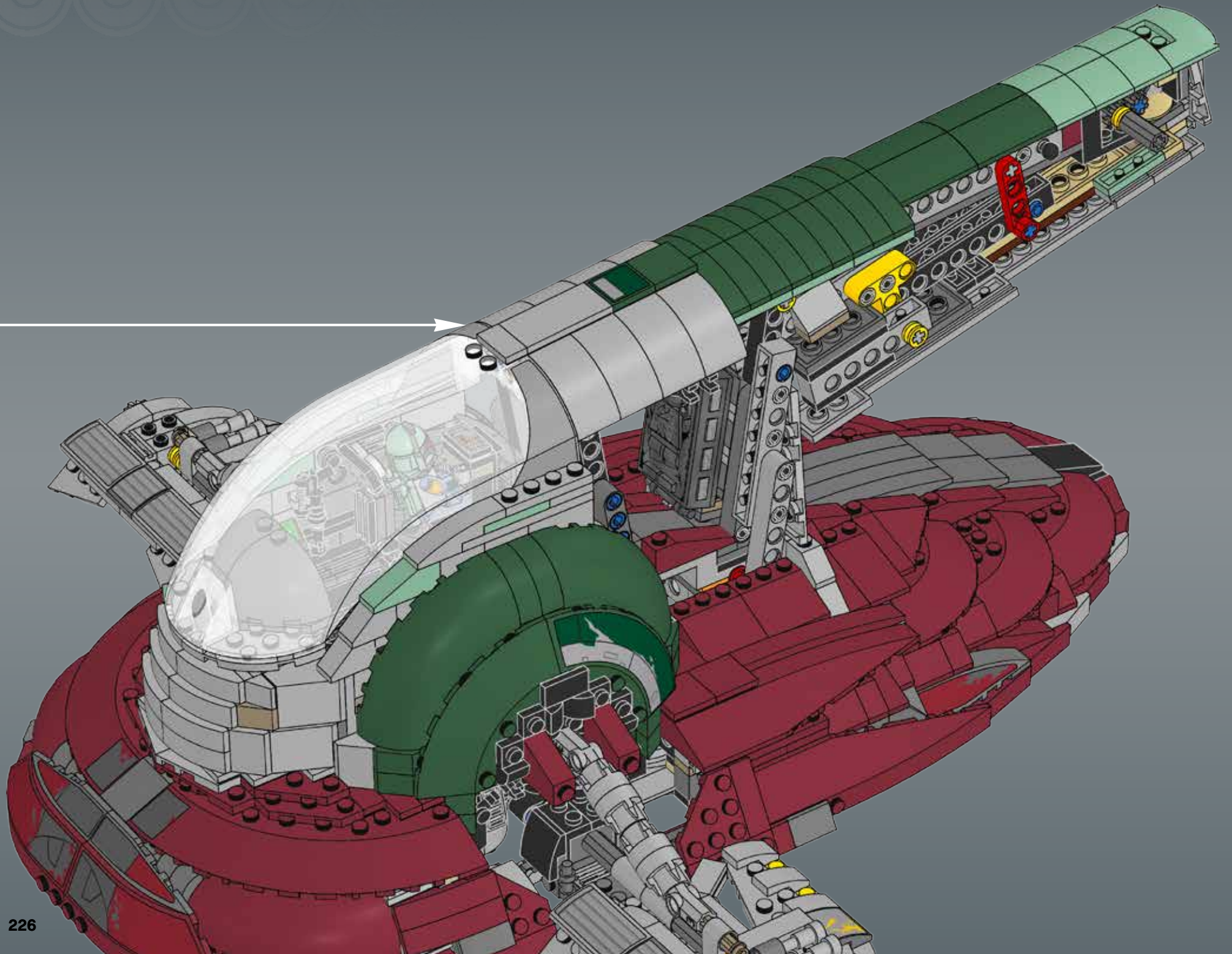


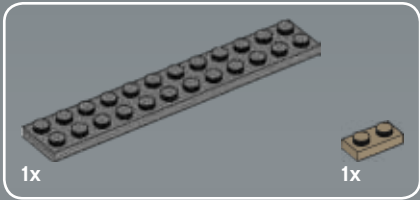
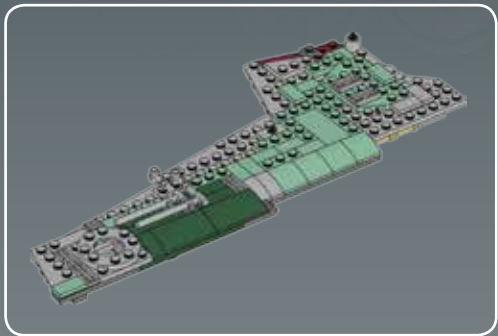
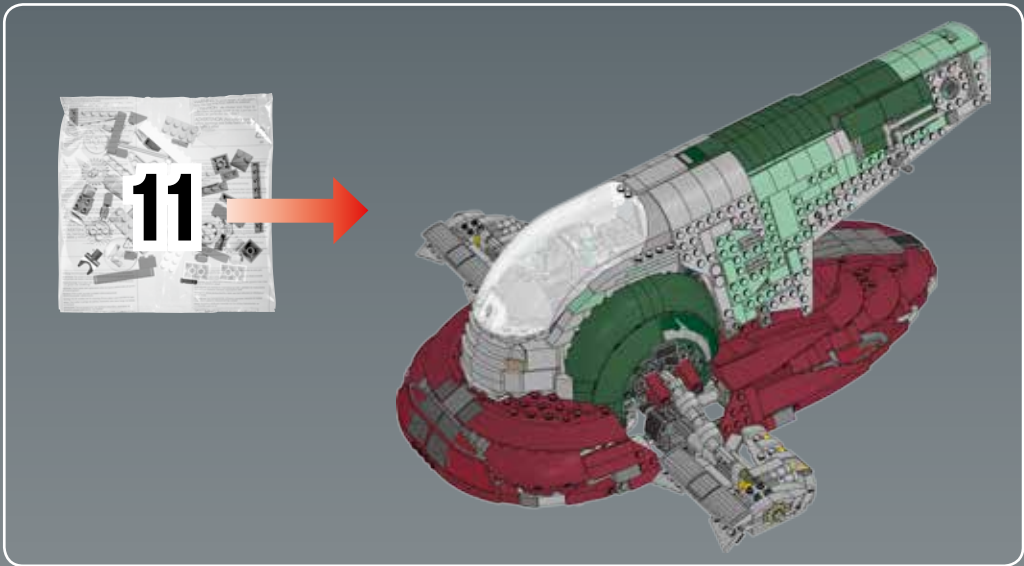
5



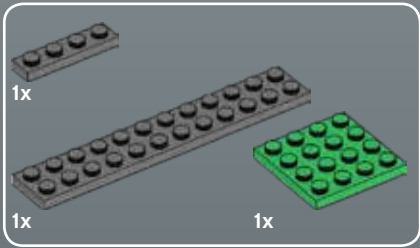
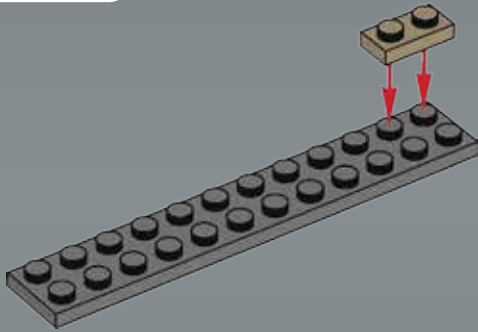
6



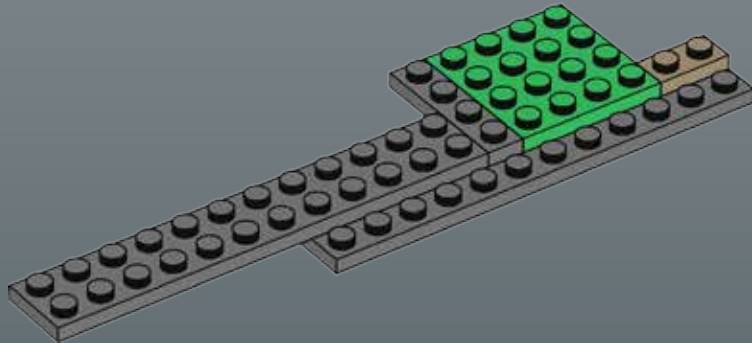




1

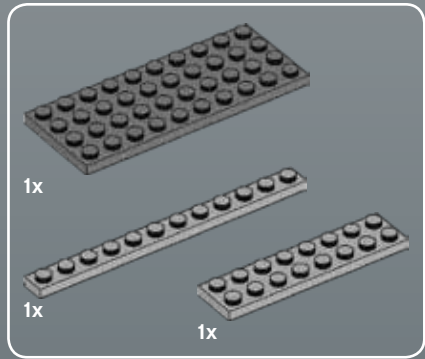
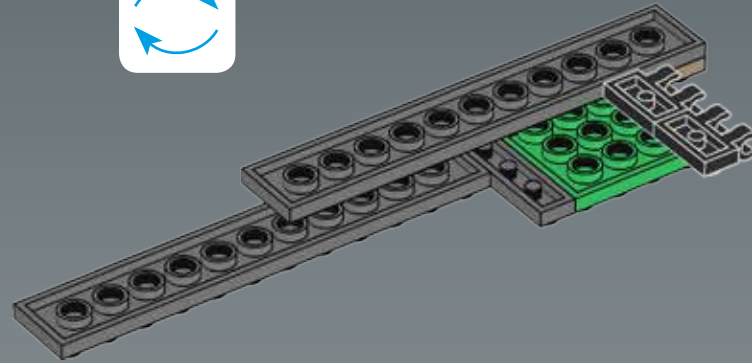


2

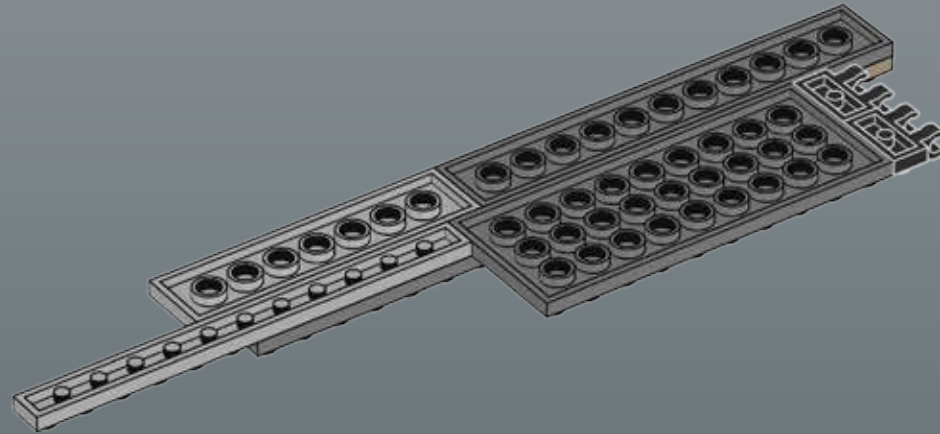


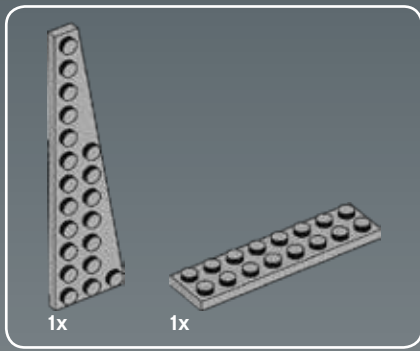


3

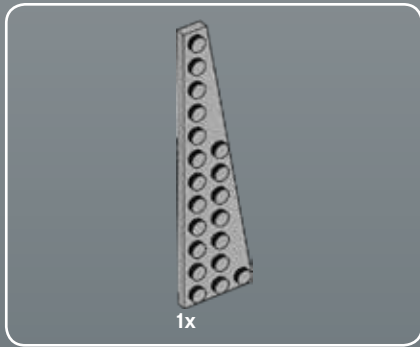
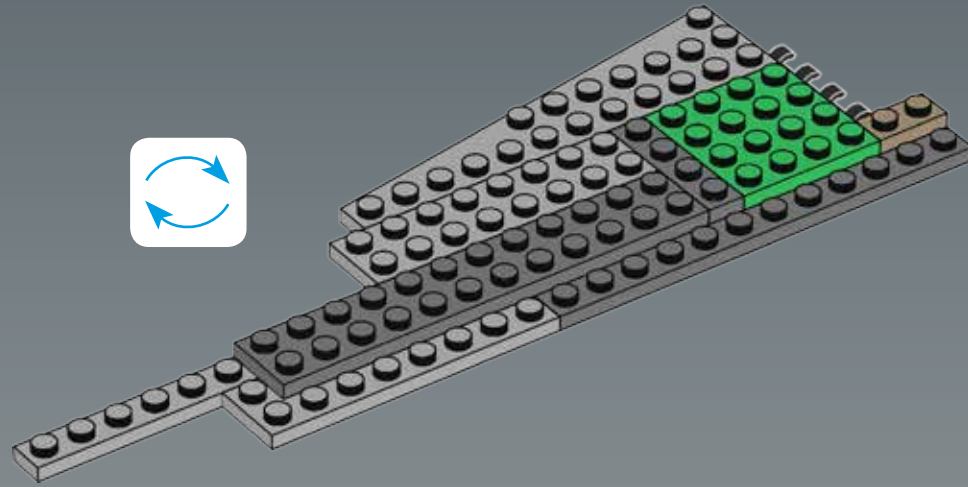


4

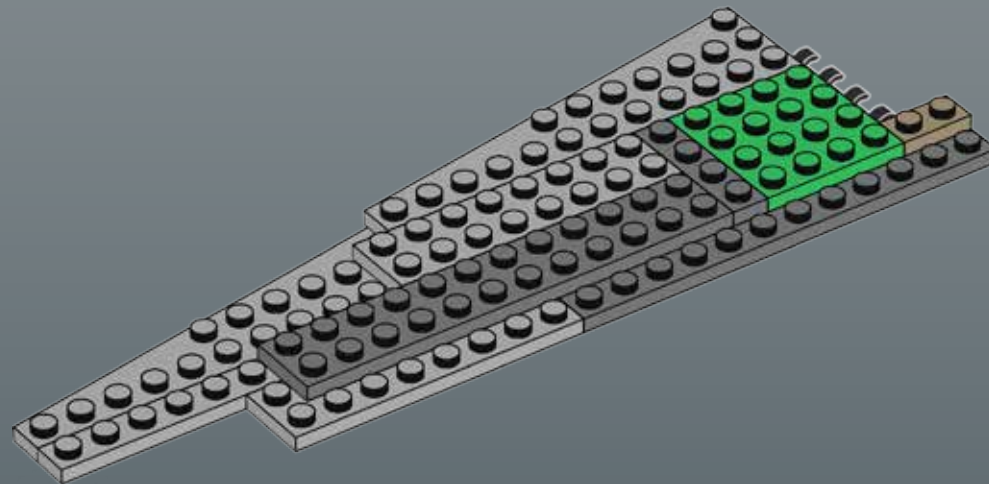




5

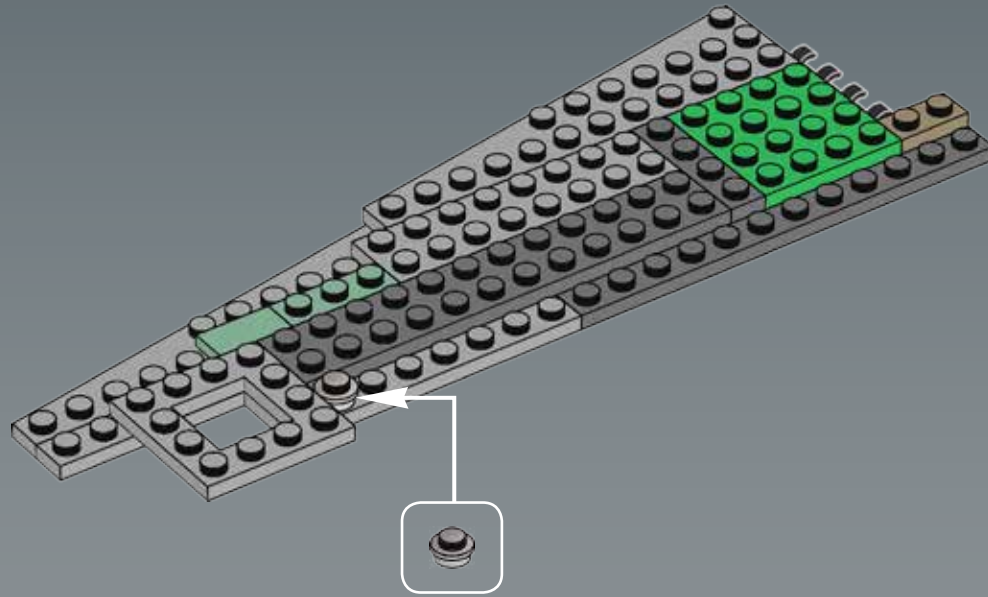


6

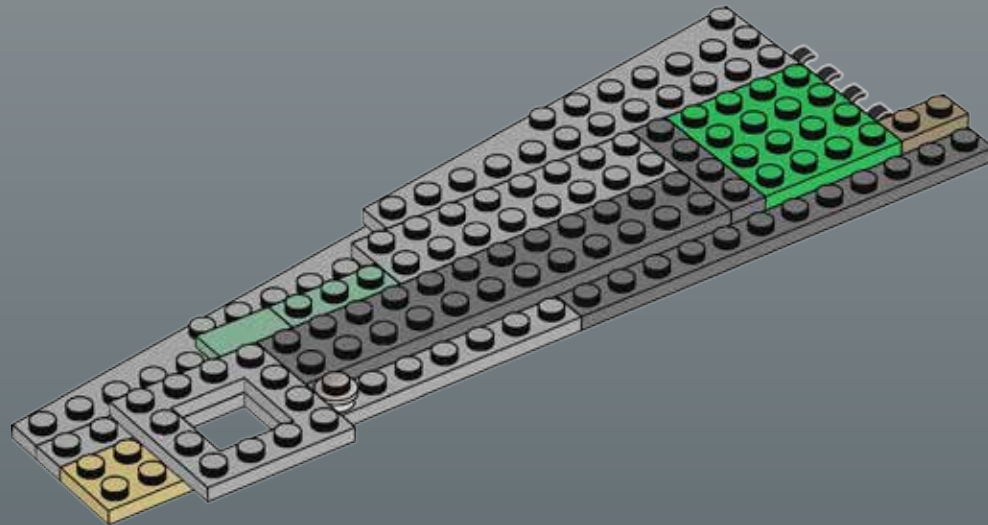


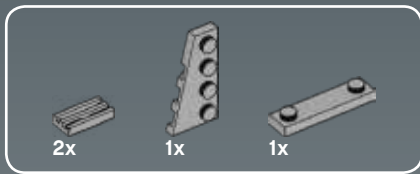


7

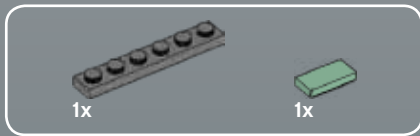
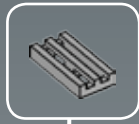
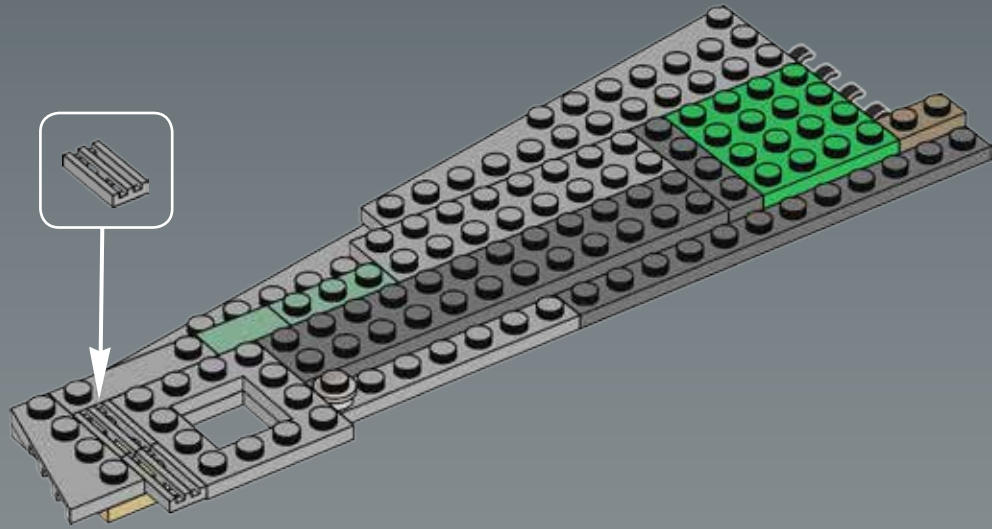


8

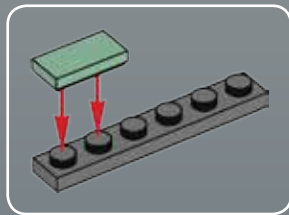
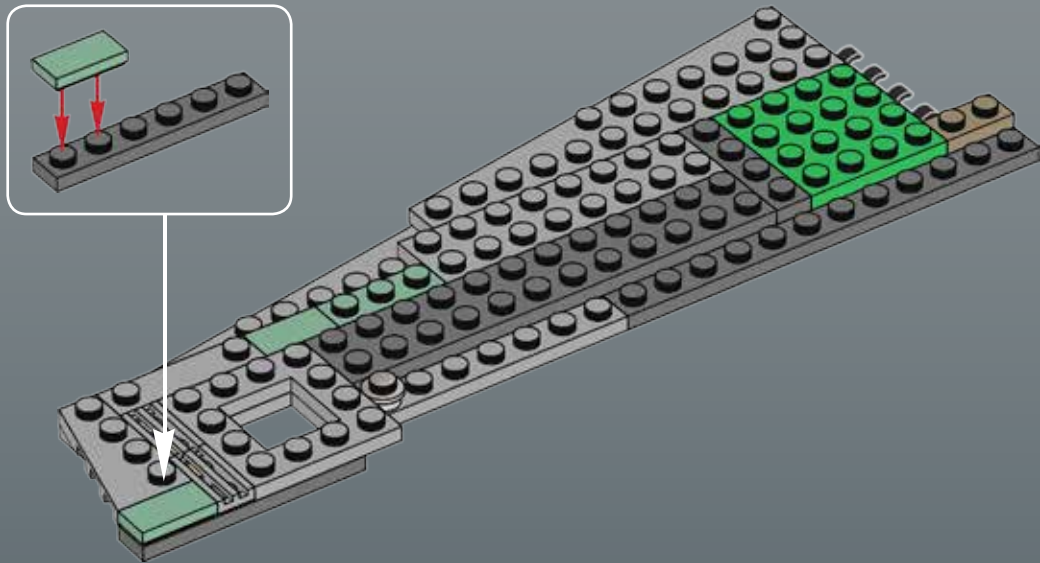


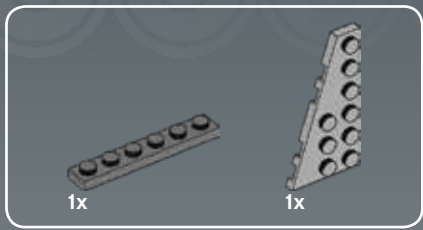


9

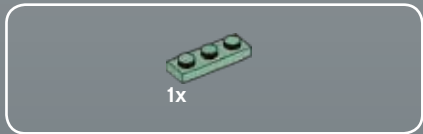
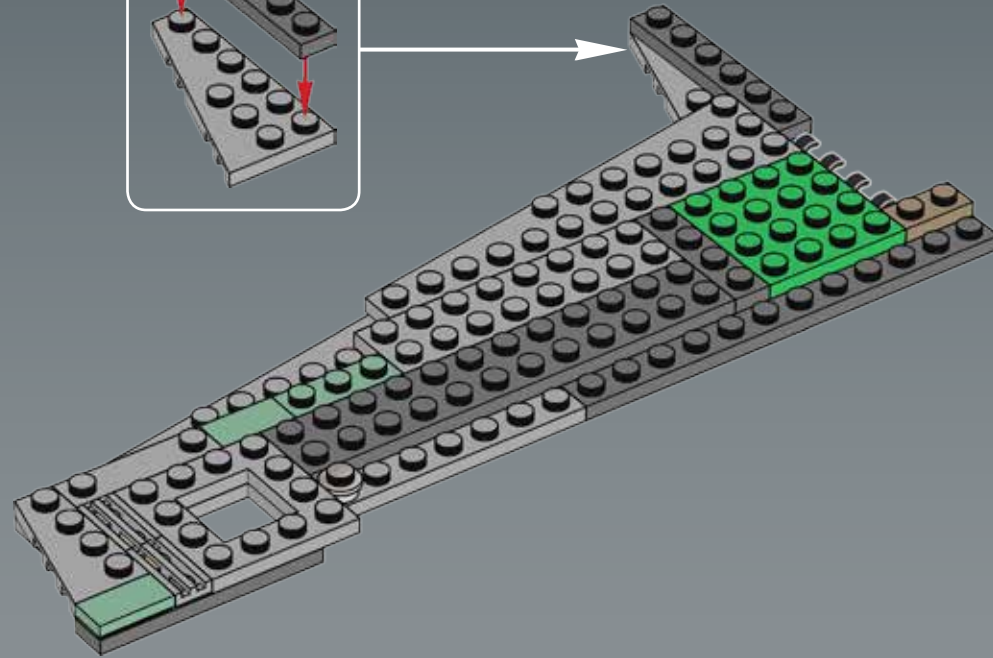
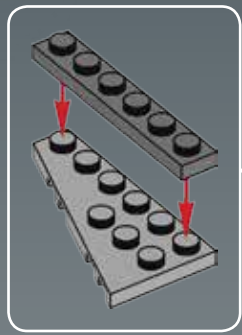


10

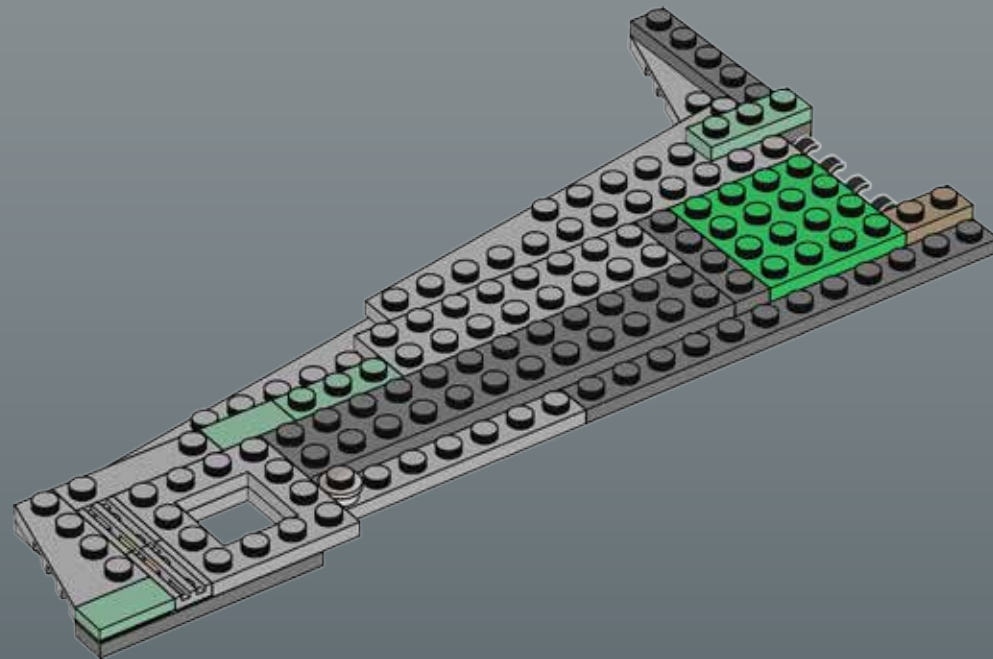


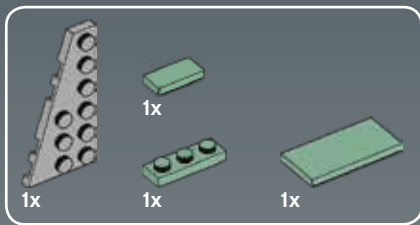


11

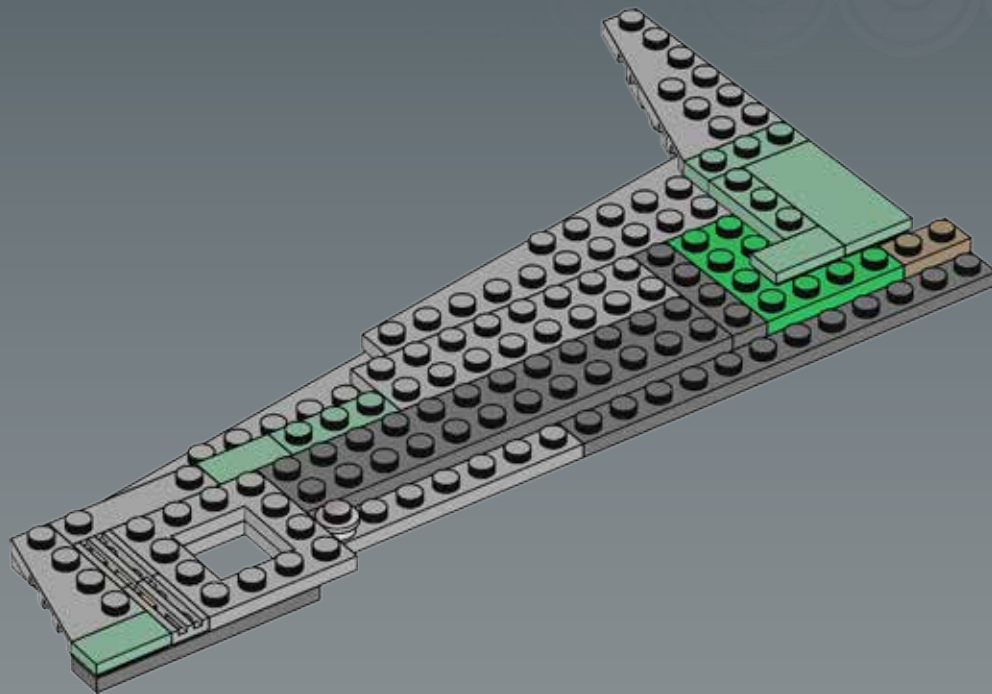


12

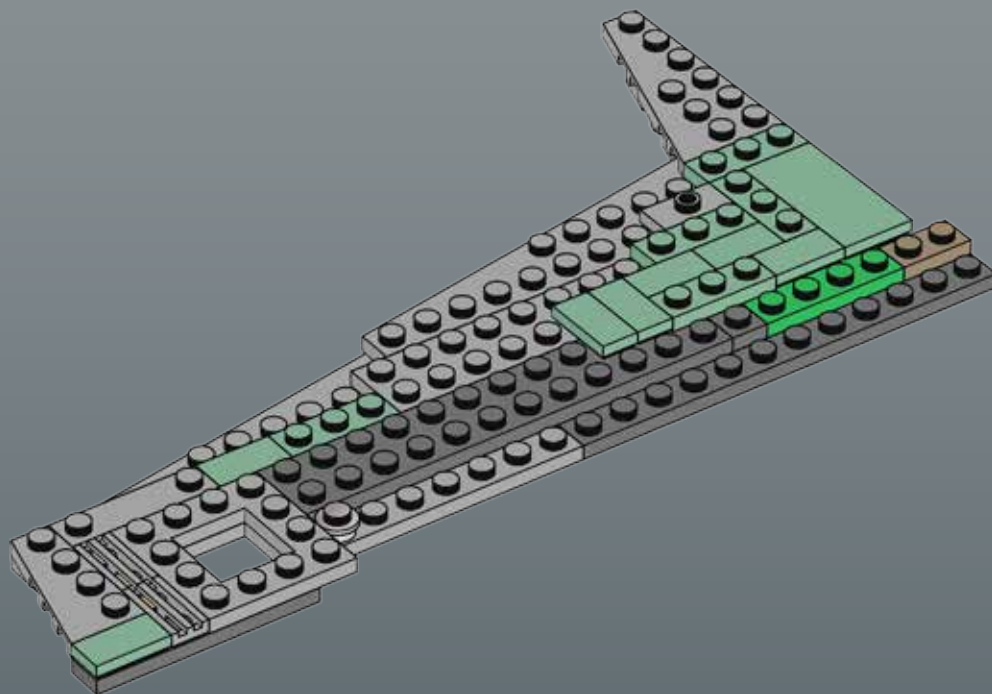




13

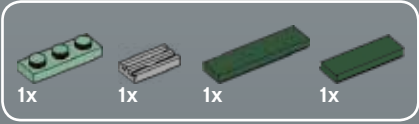
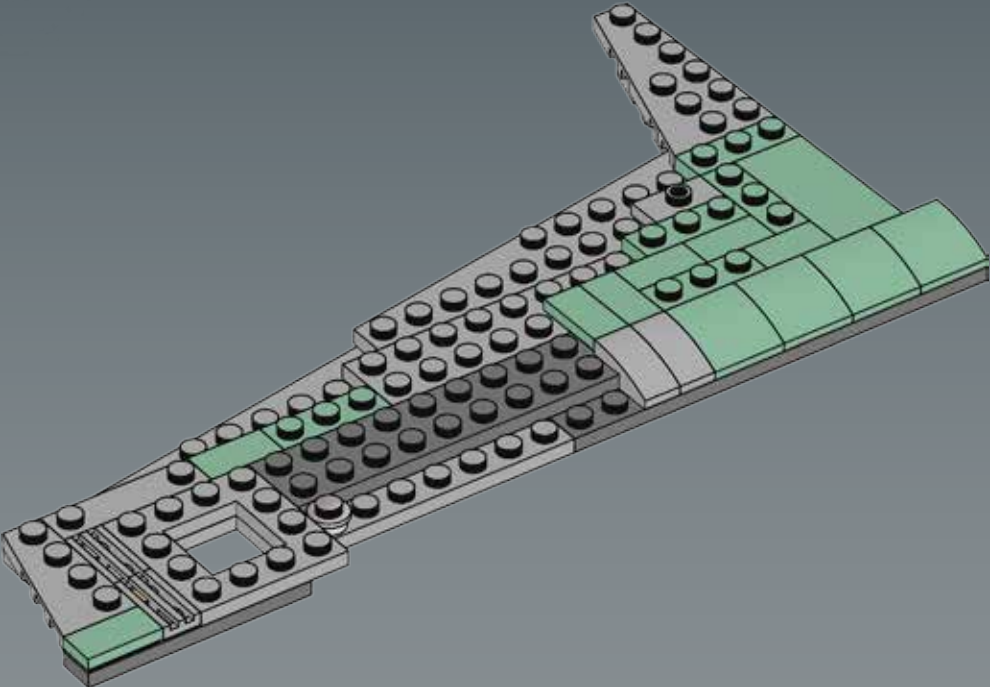


14

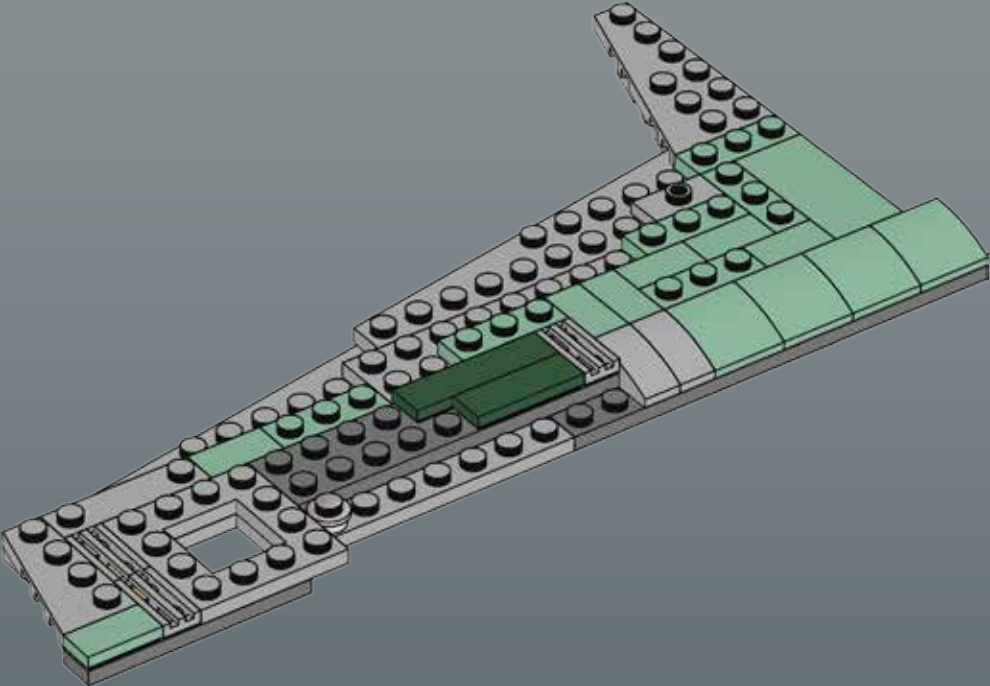




15

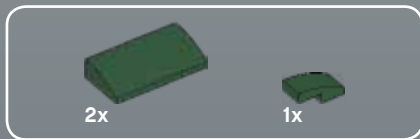
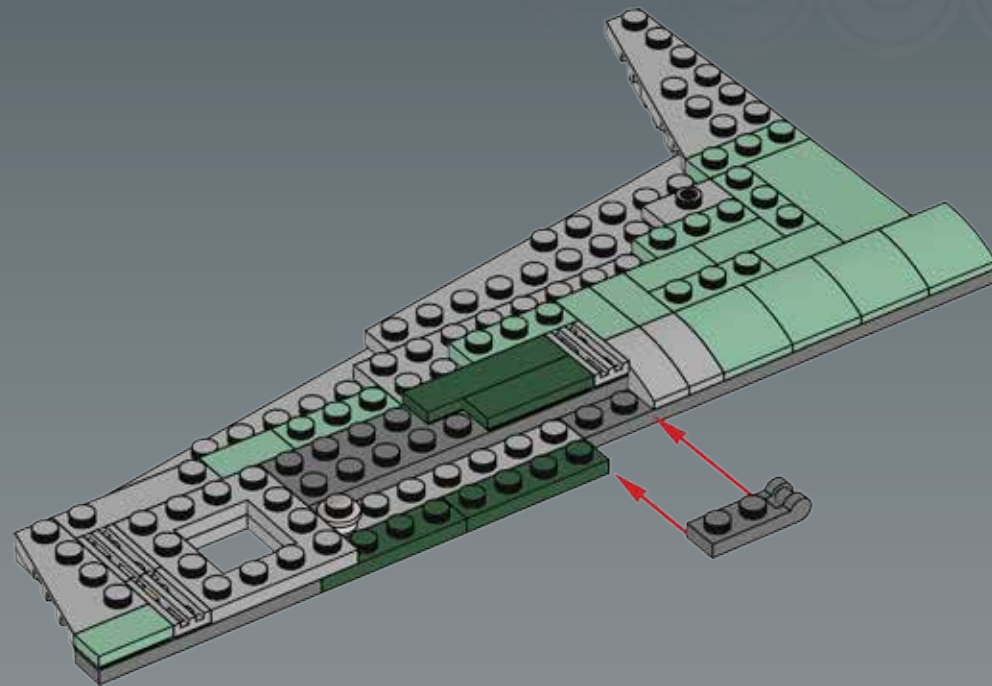


16

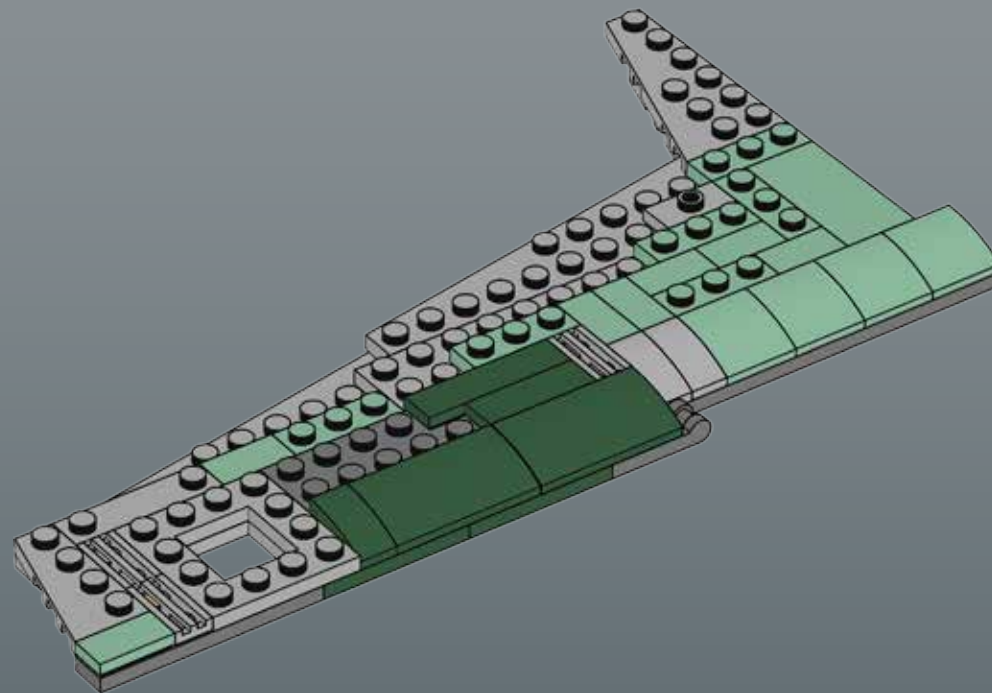


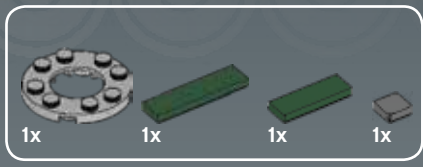


17

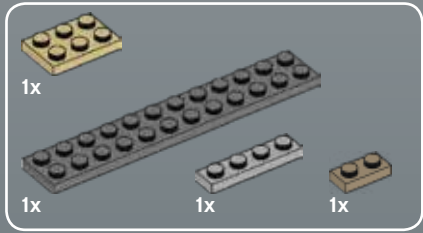
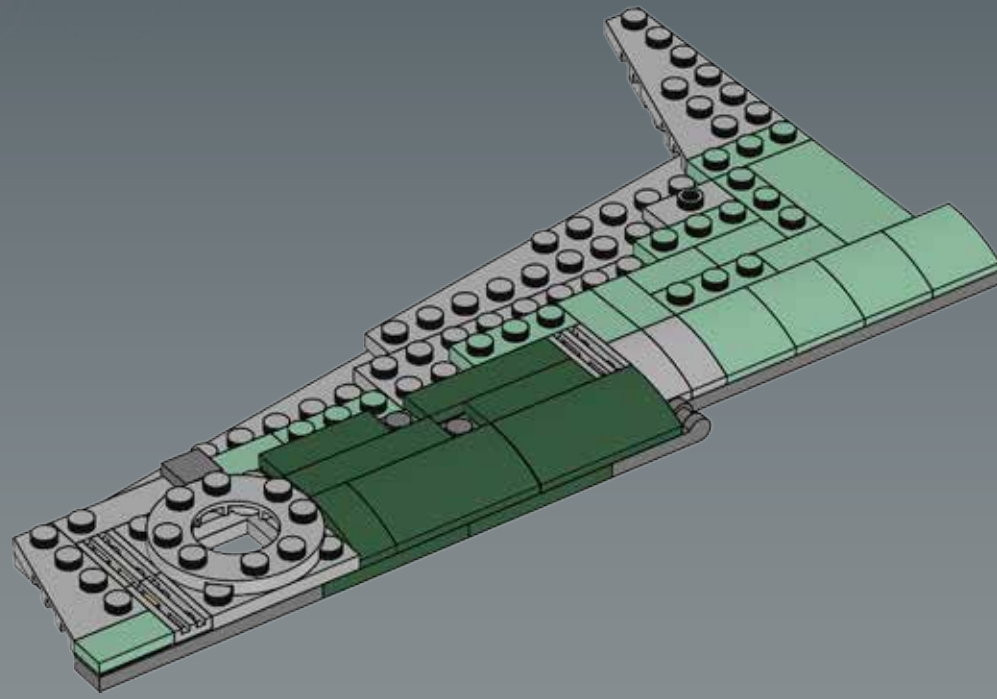


18

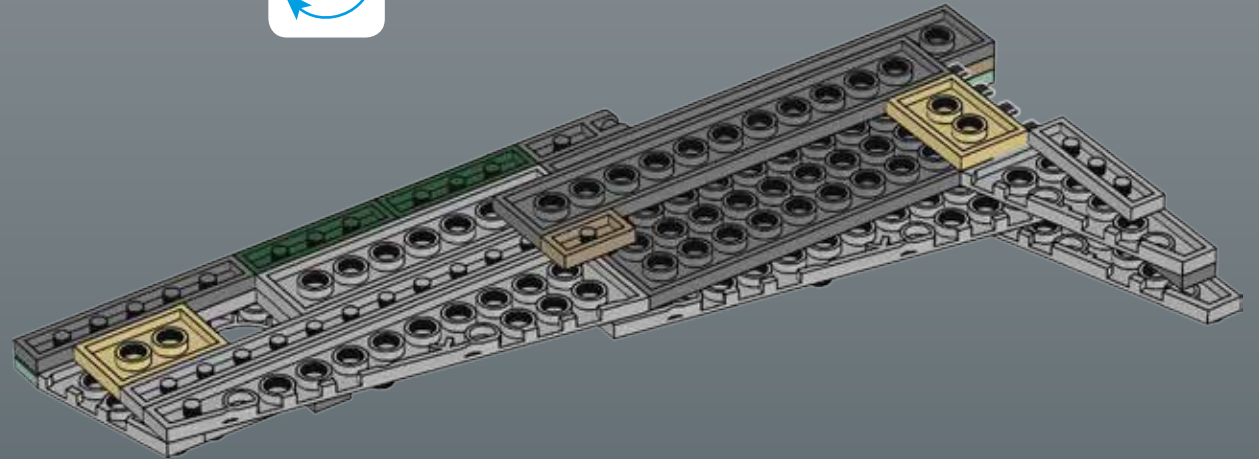




19

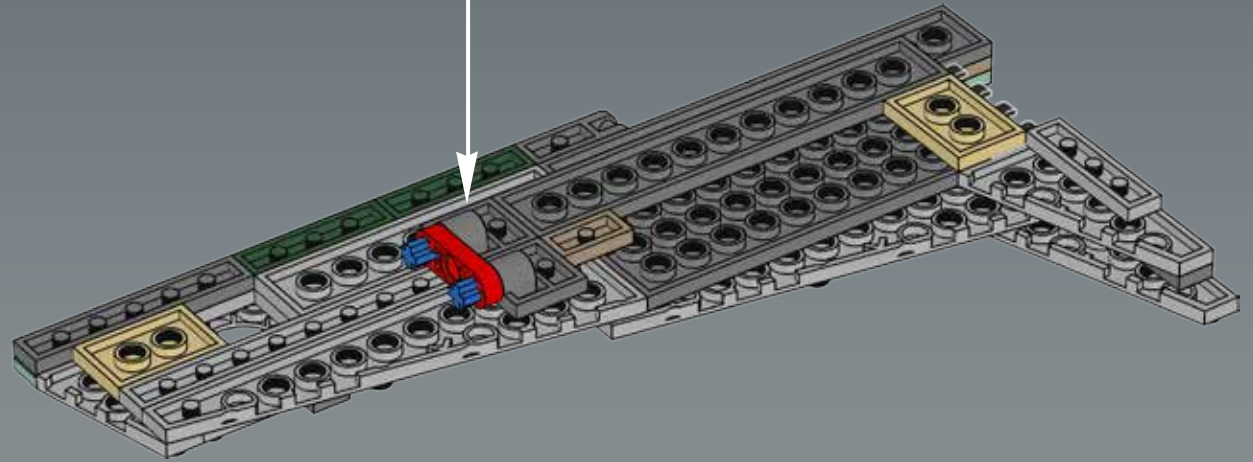
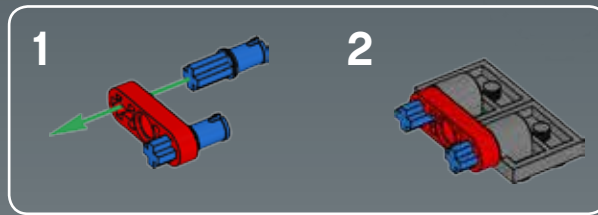


20

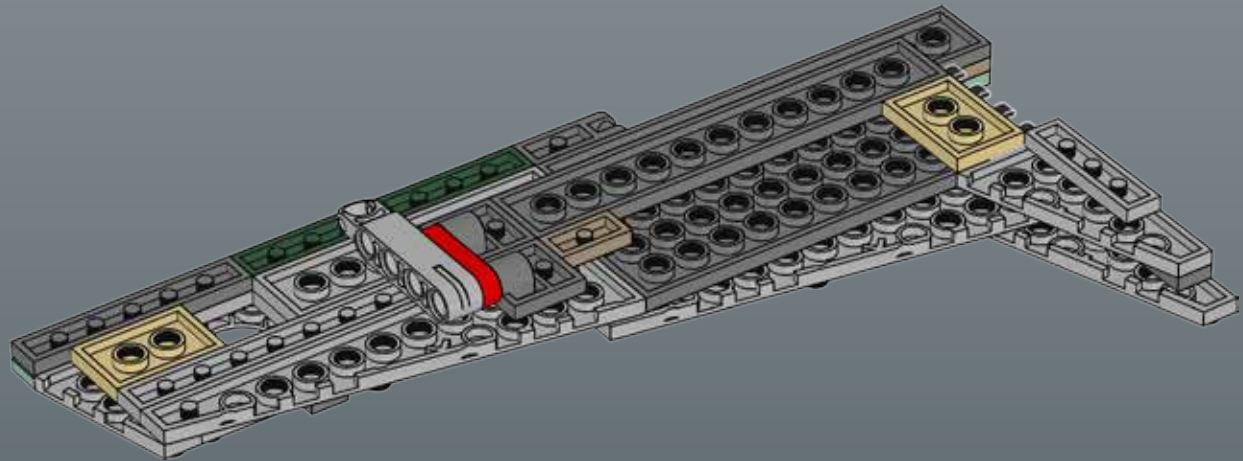




21

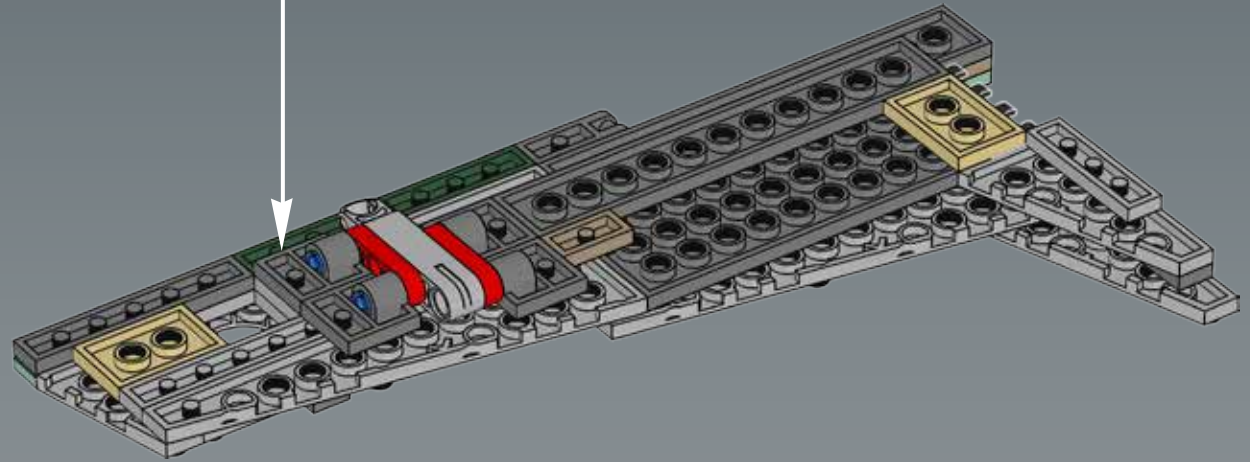
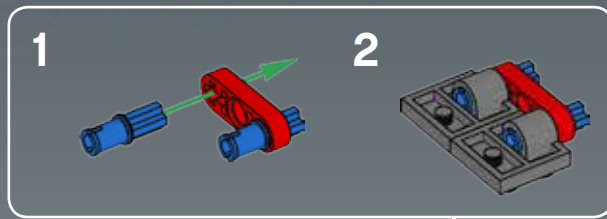


22

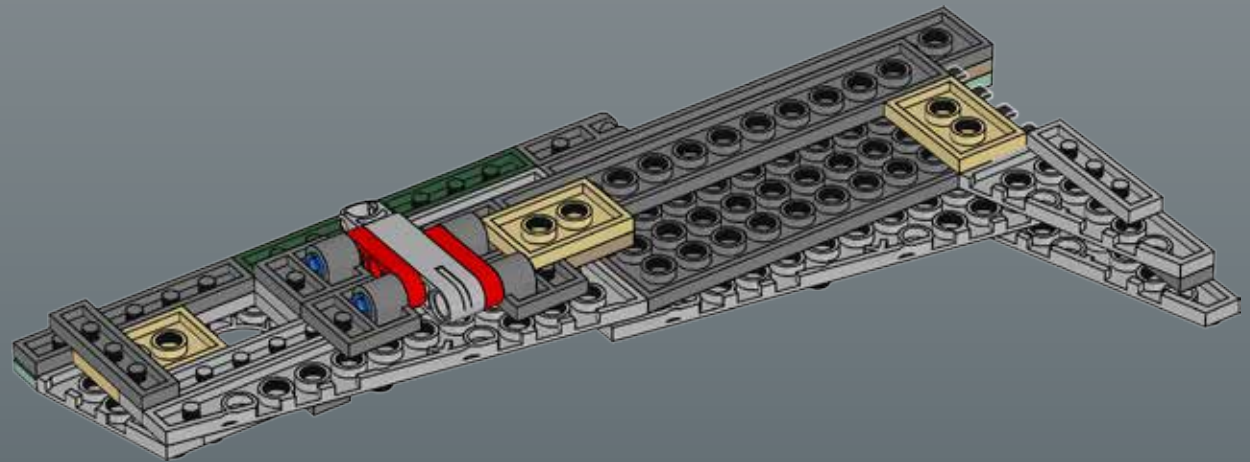




23

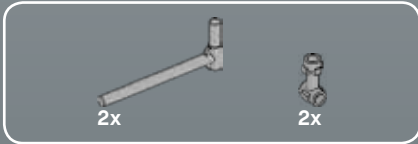
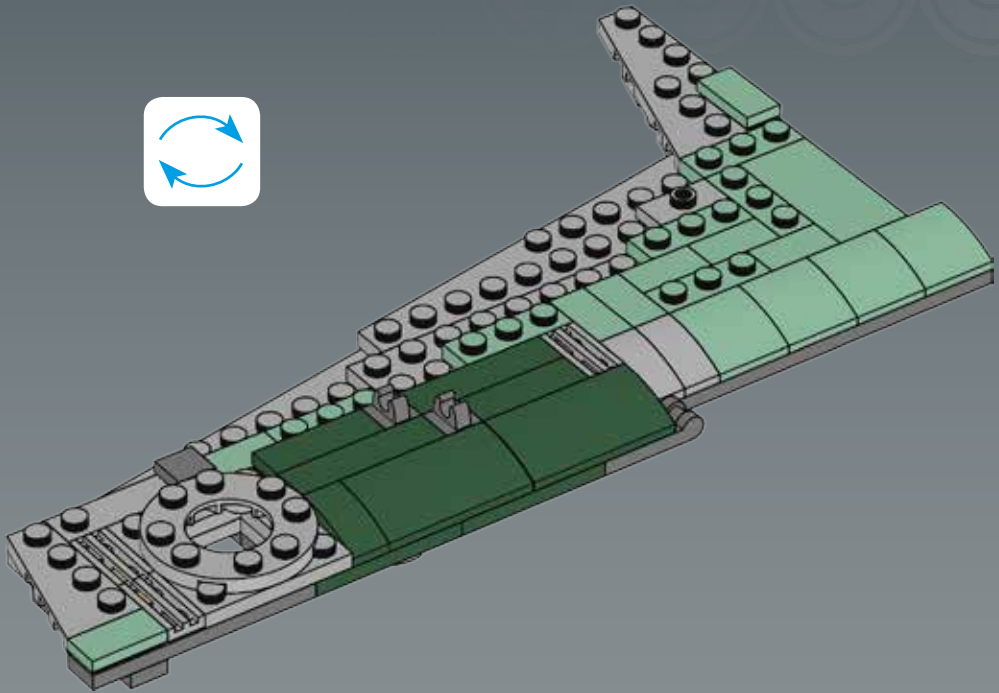


24

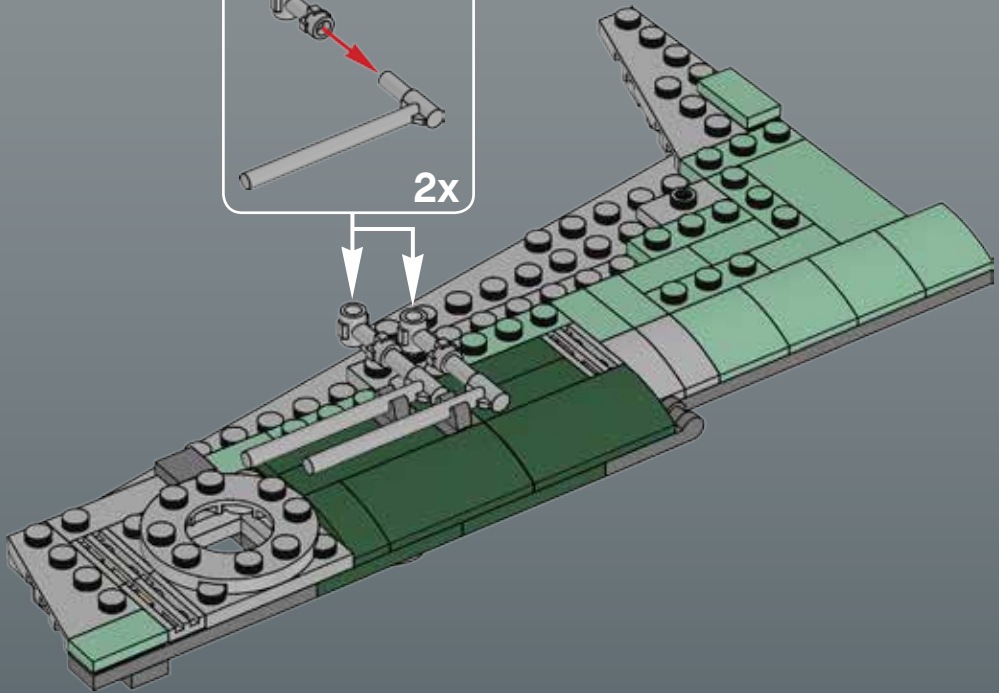
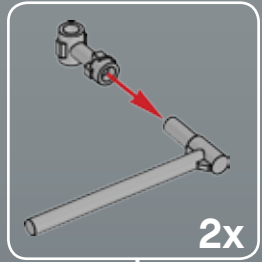




25



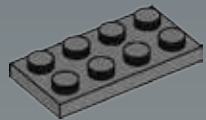
26





1x

1



2x

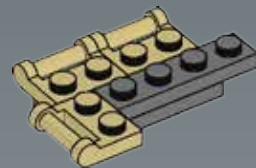
2



1x

1x

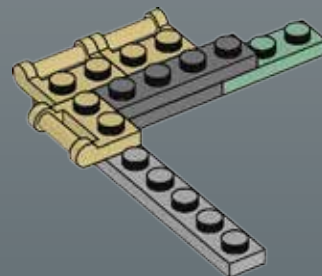
3



1x

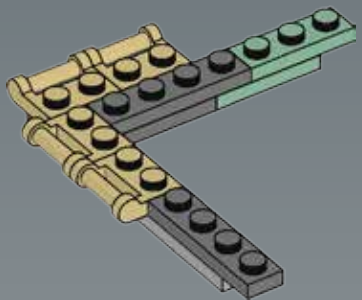
1x

4

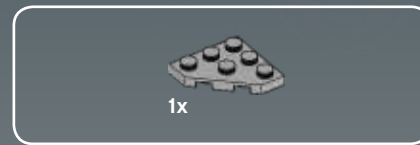
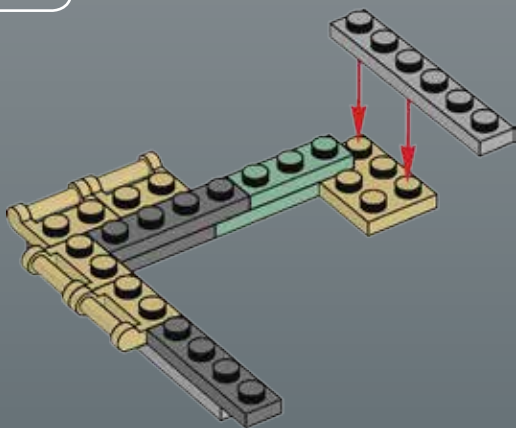




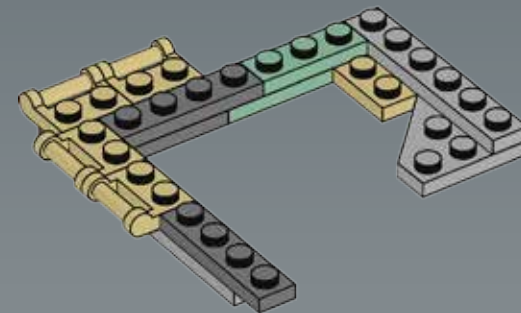
5



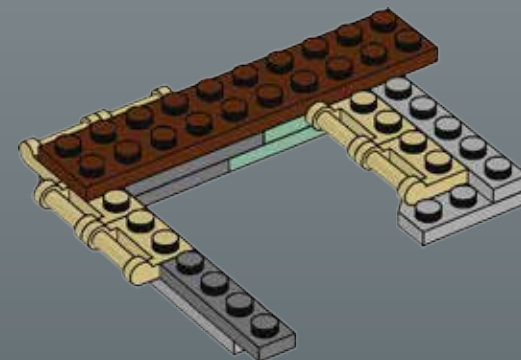
6

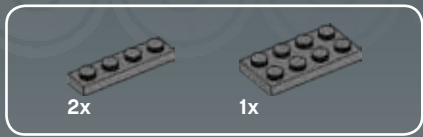


7

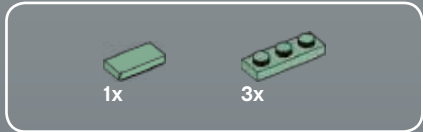
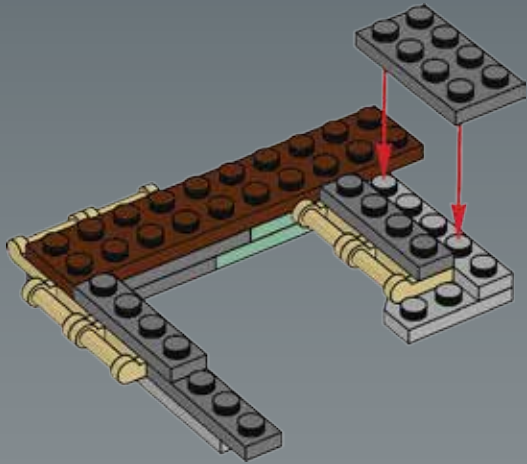


8

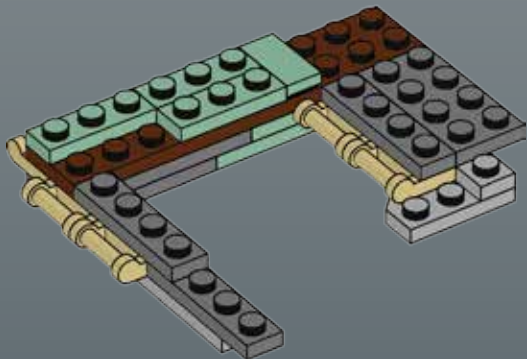




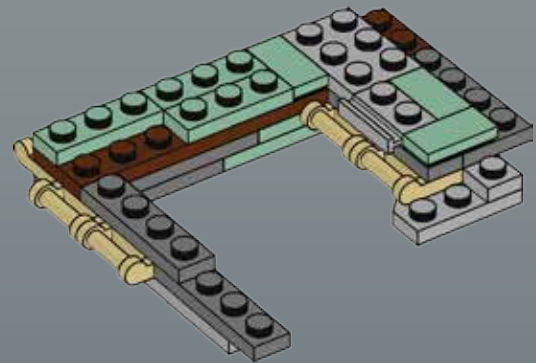
9

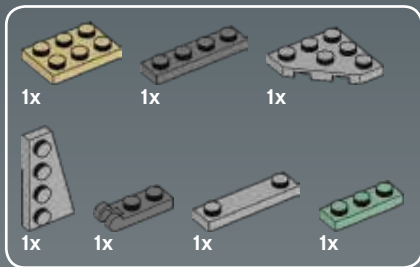


10

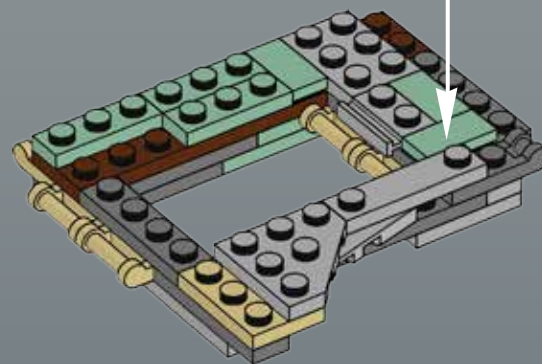
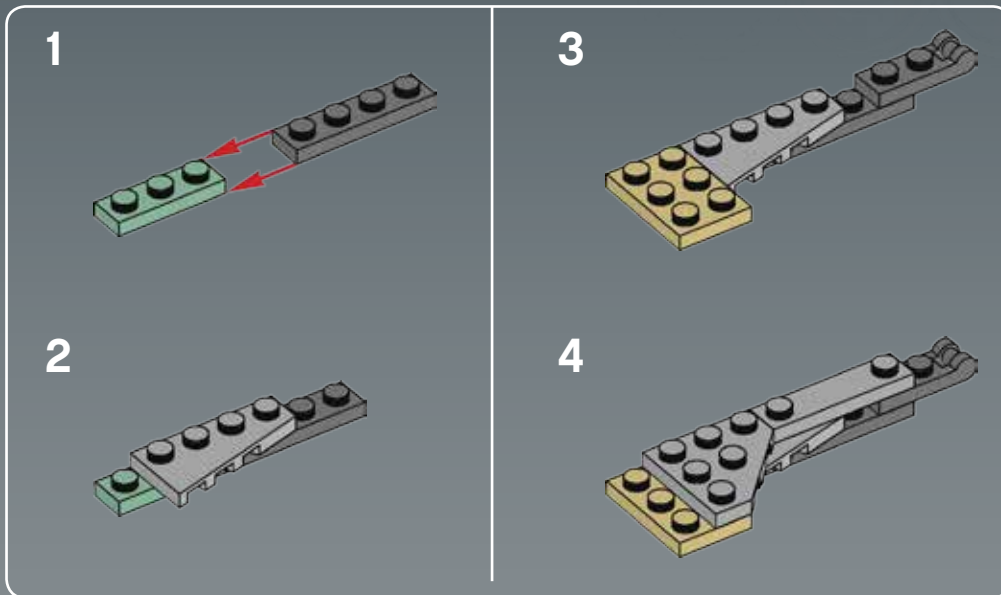


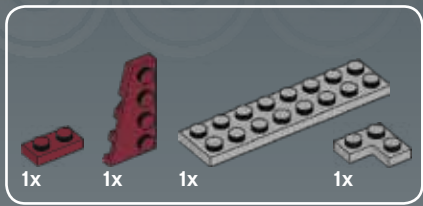
11



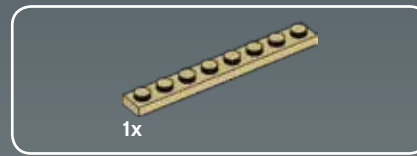
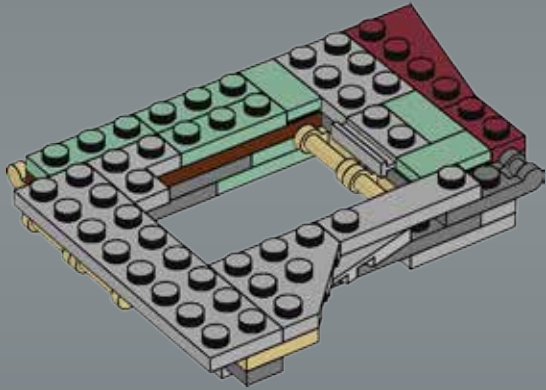


12

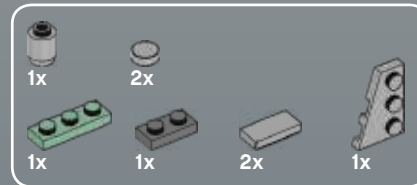
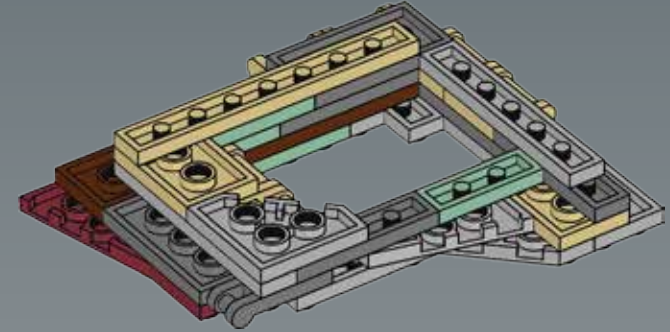




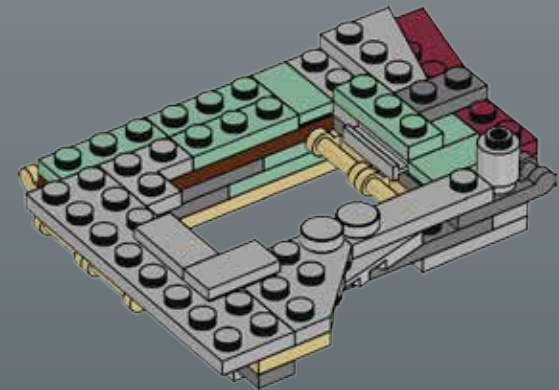
13

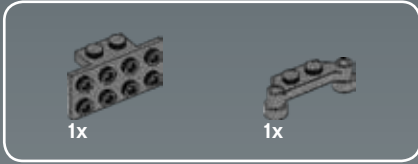


14

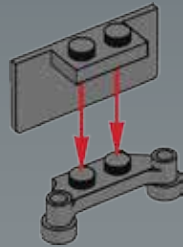


15

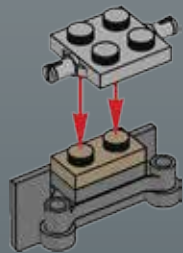




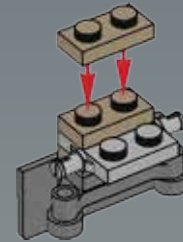
1



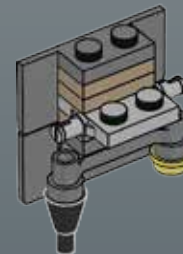
2

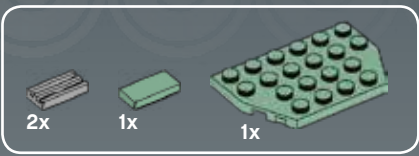


3

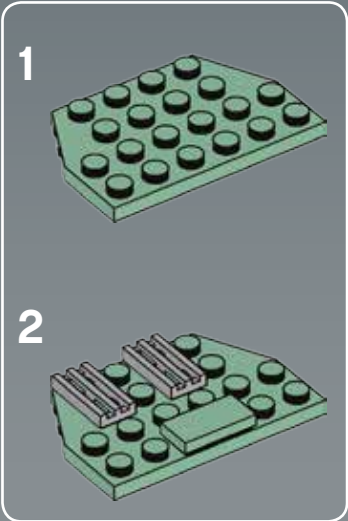


4

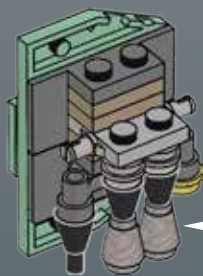
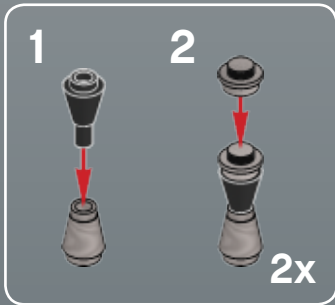




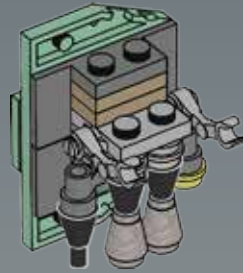
5



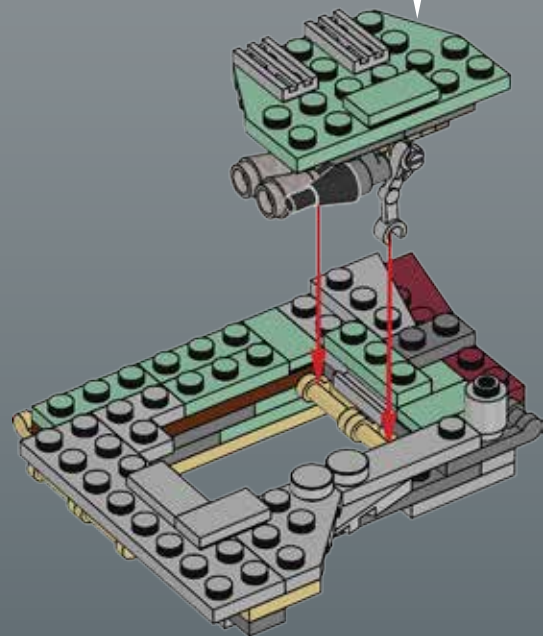
6



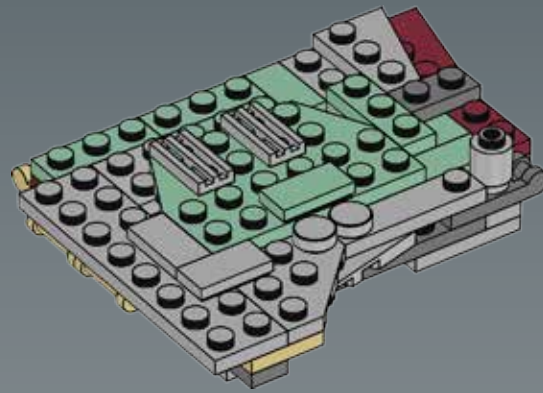
7



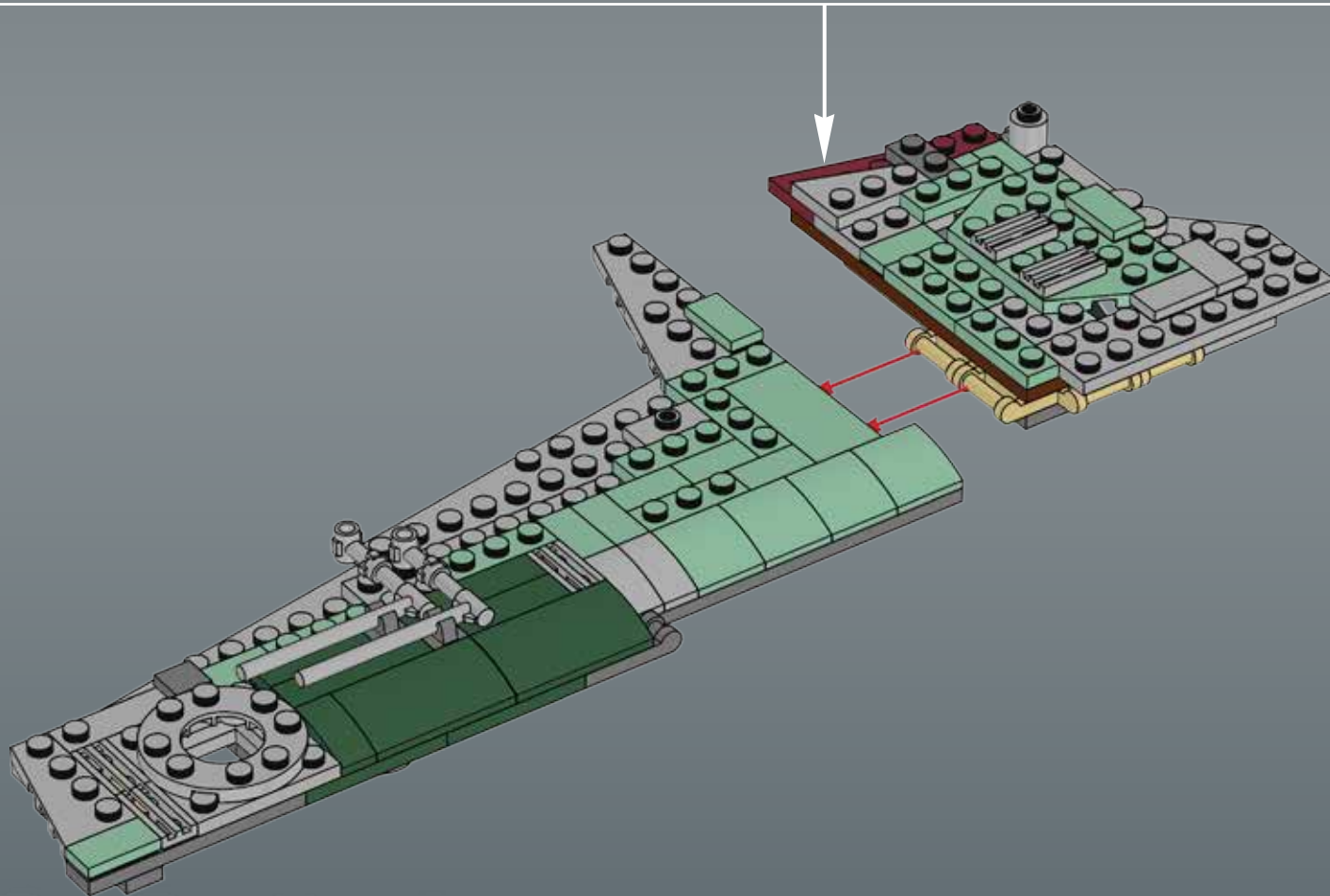
16



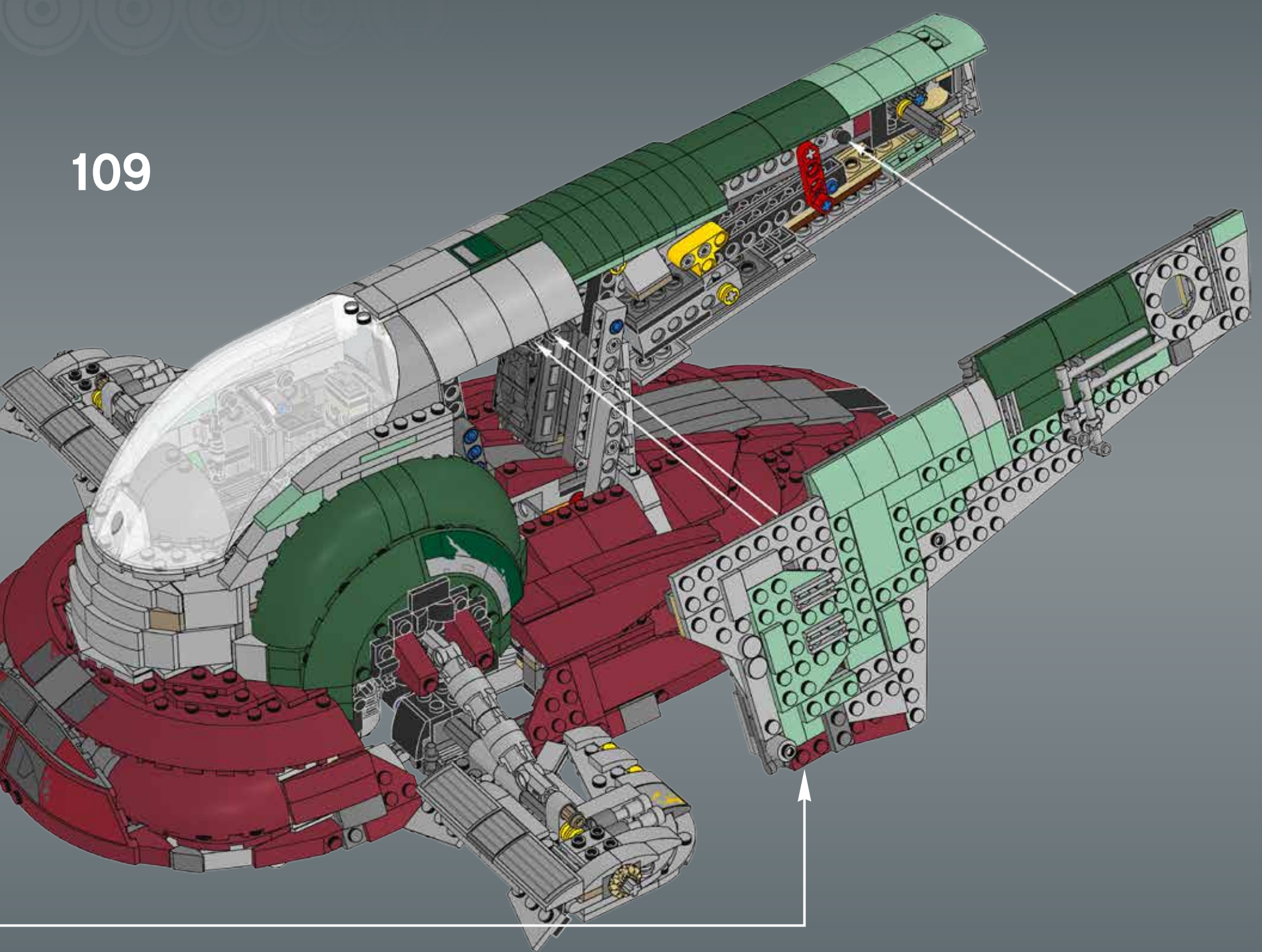
17

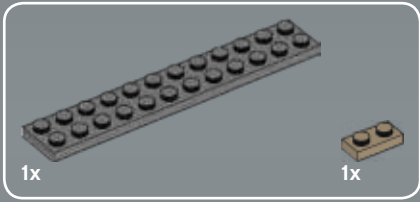
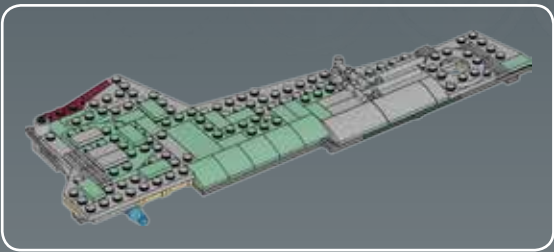
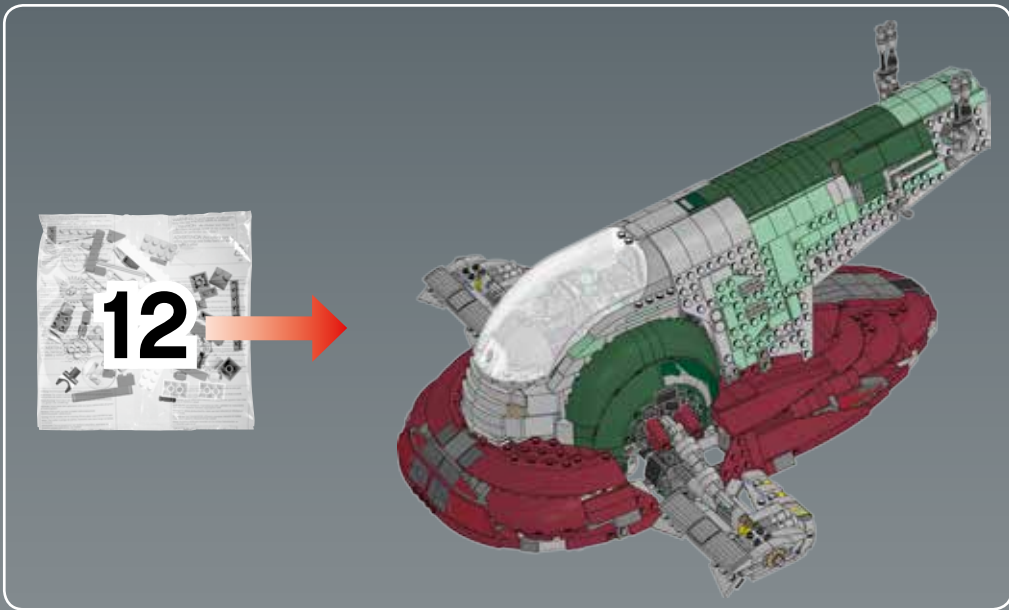


27

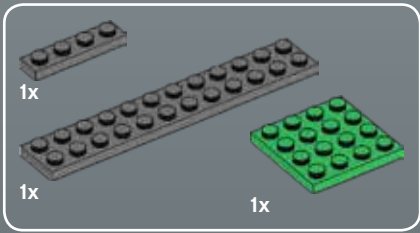
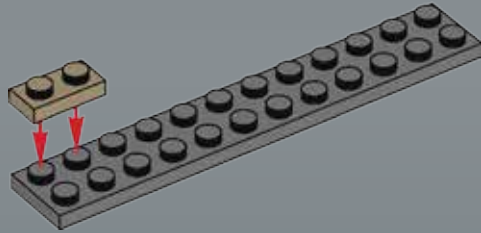


109

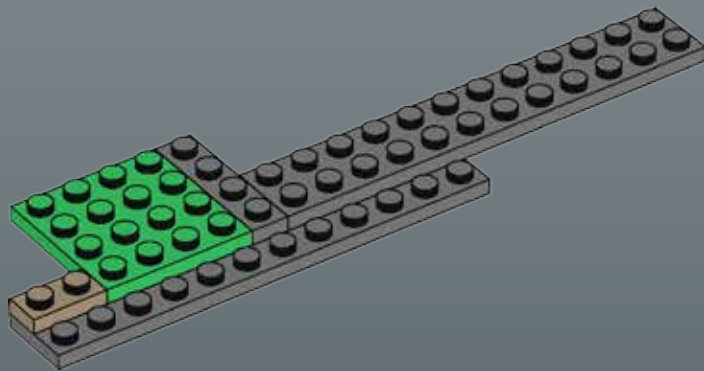




1



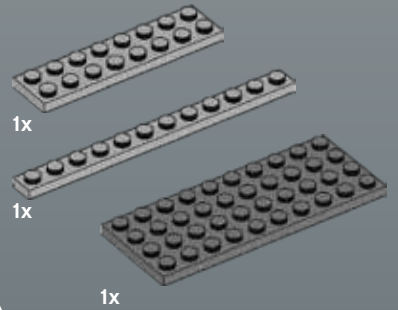
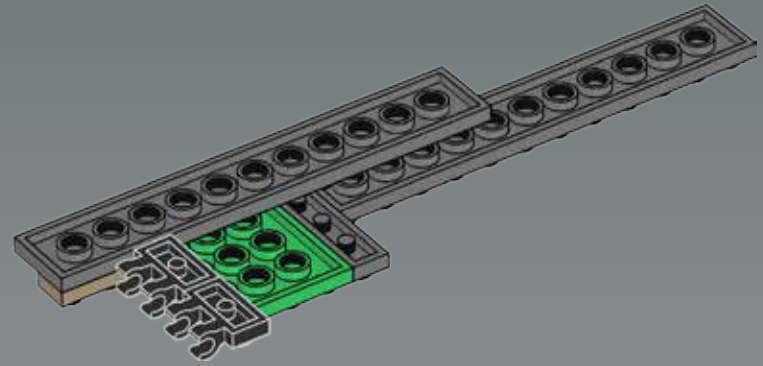
2



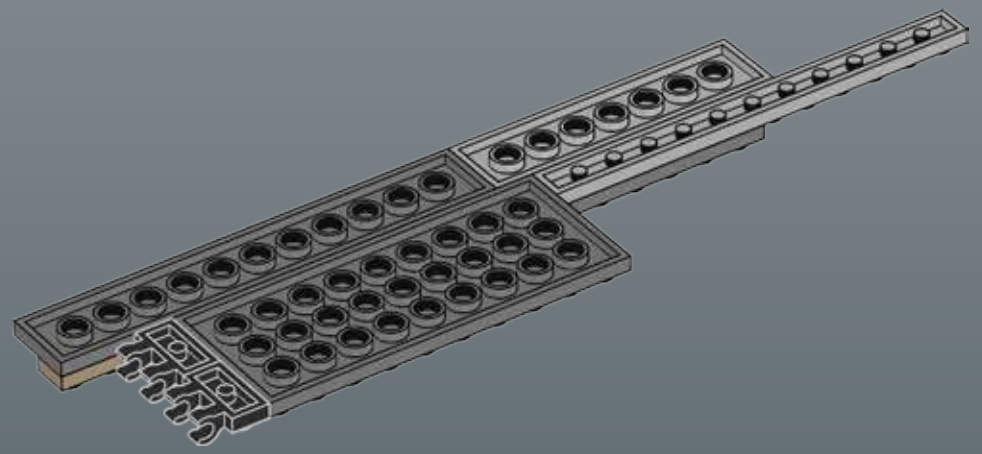


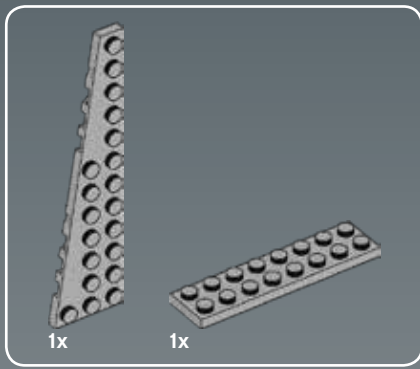
2x

3

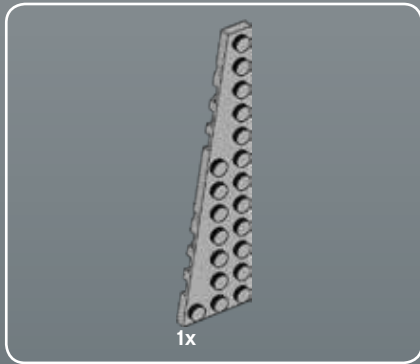
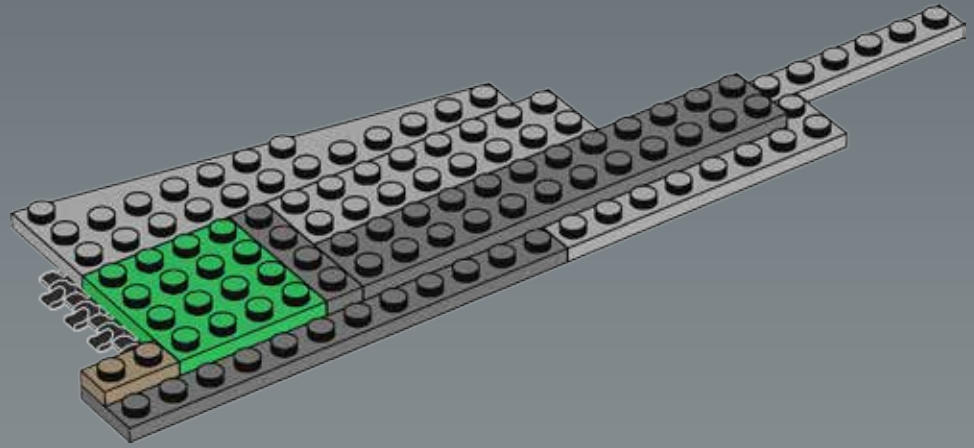


4

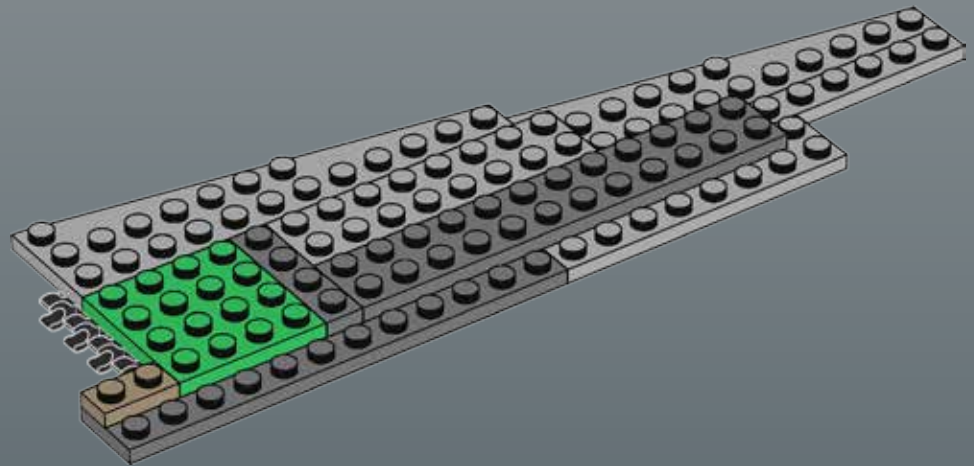


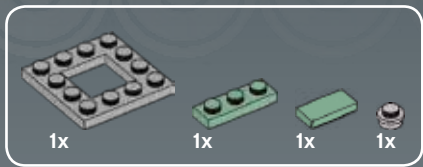


5

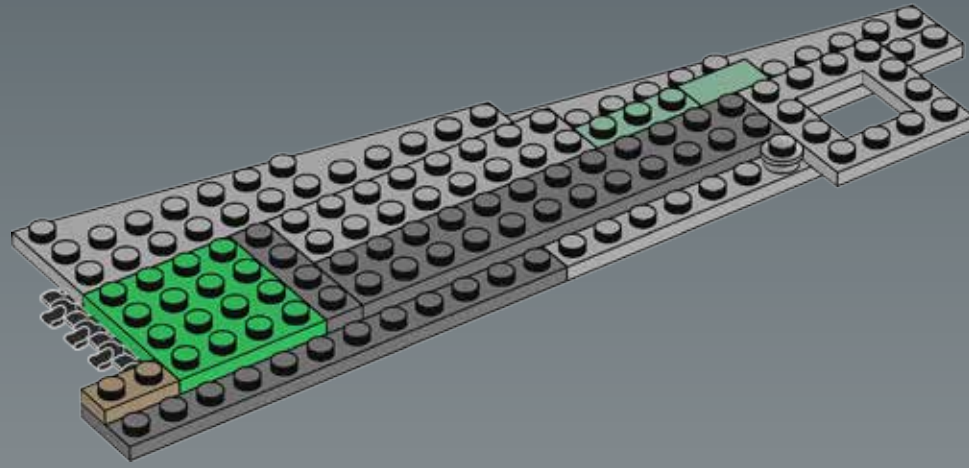


6

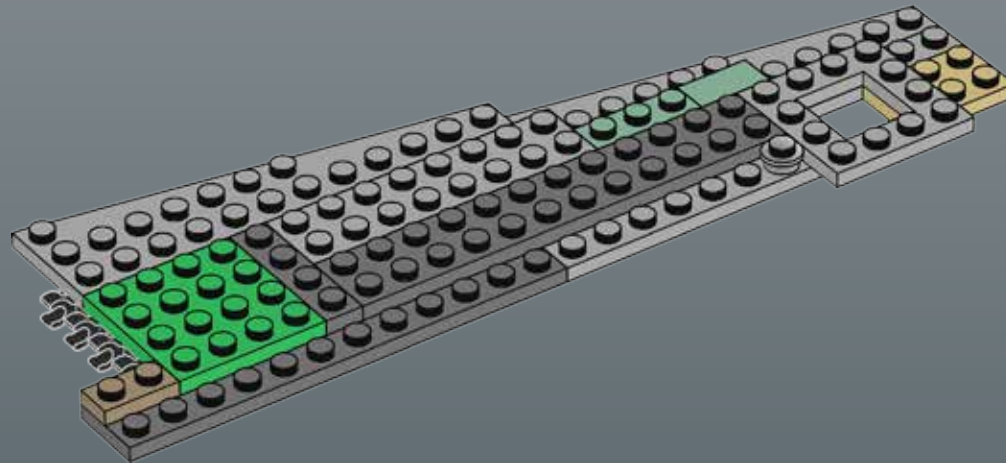


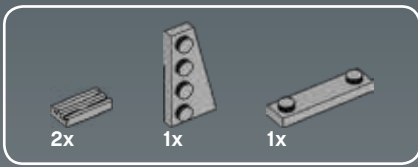


7

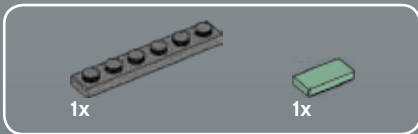
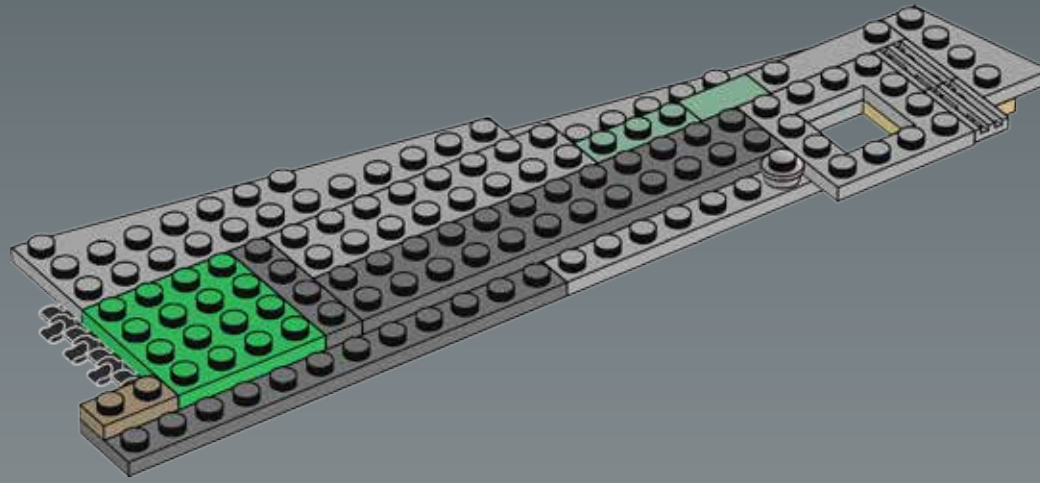


8

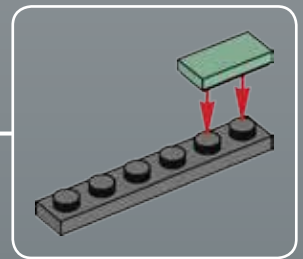
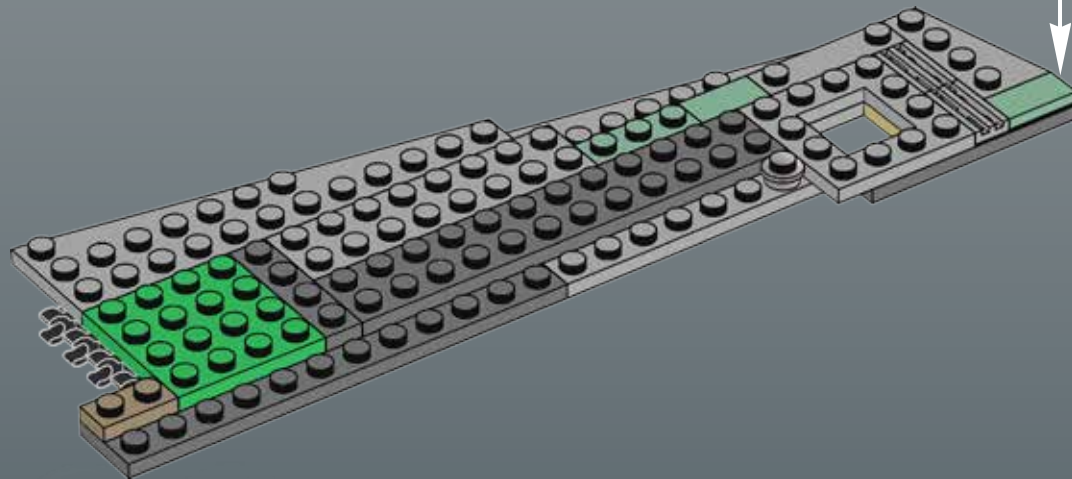


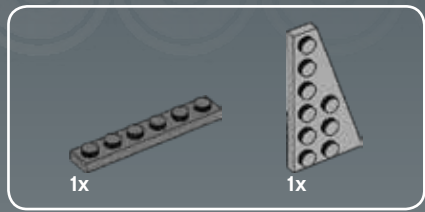


9

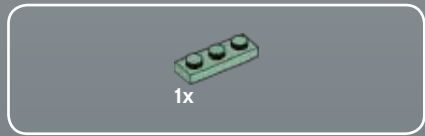
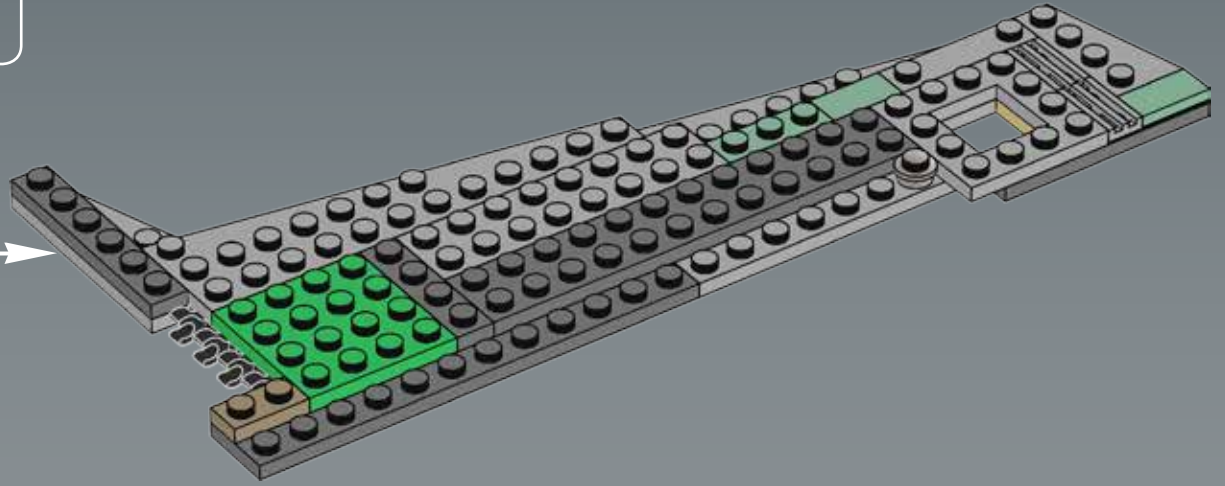
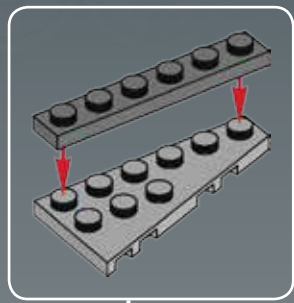


10

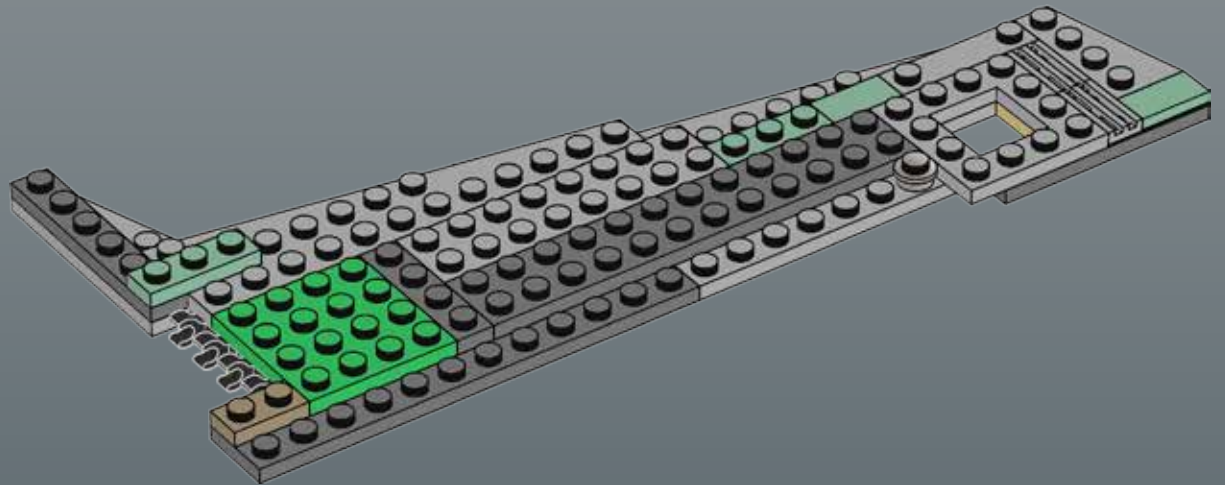


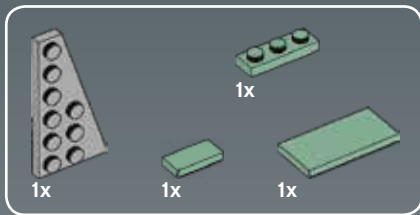


11

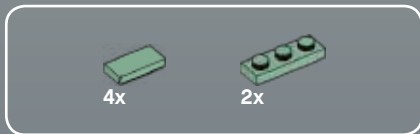
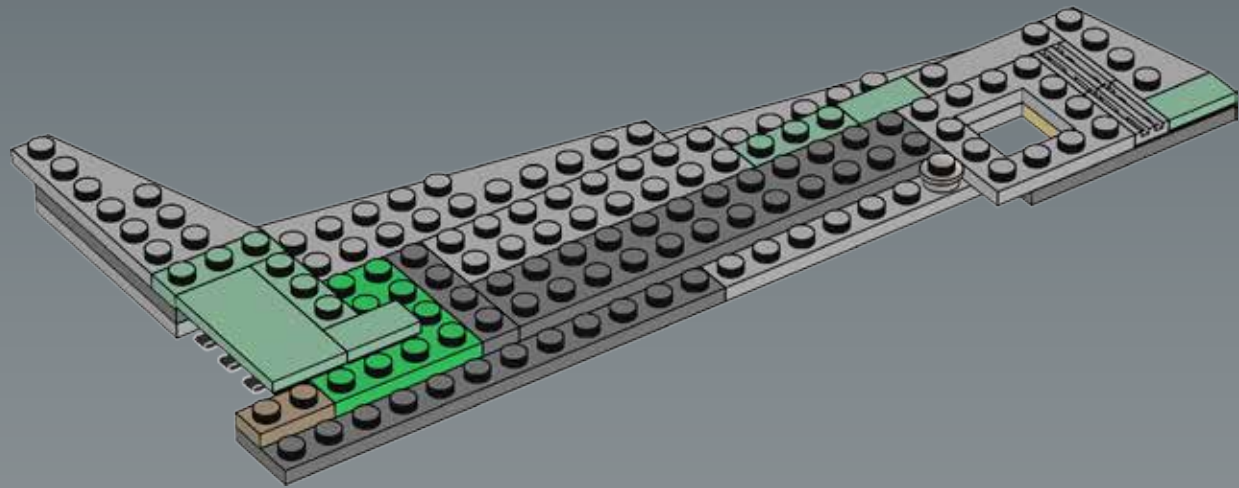


12

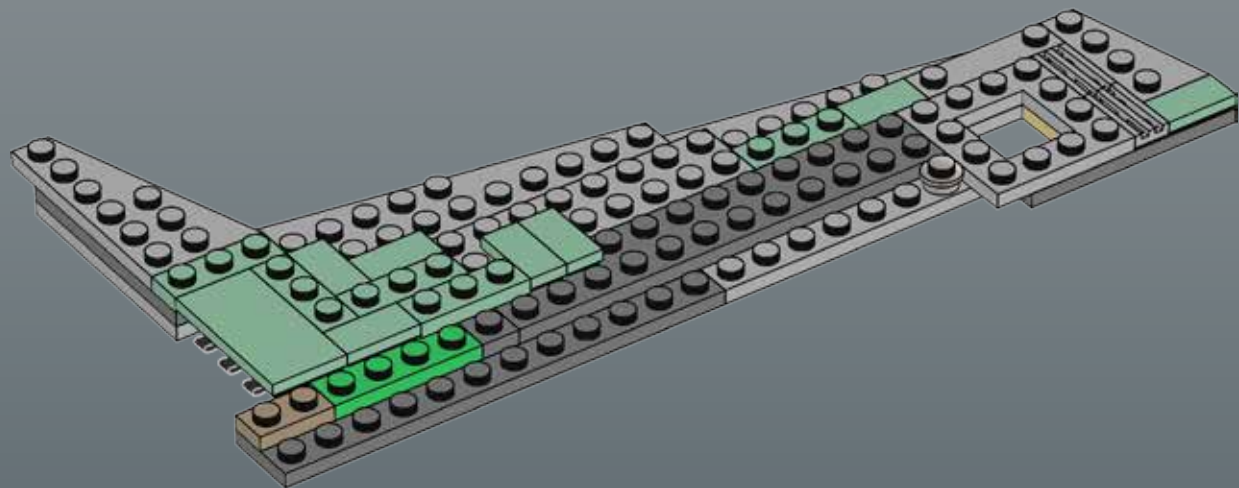




13

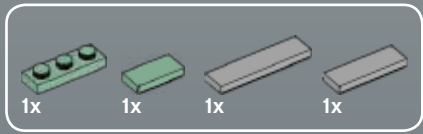
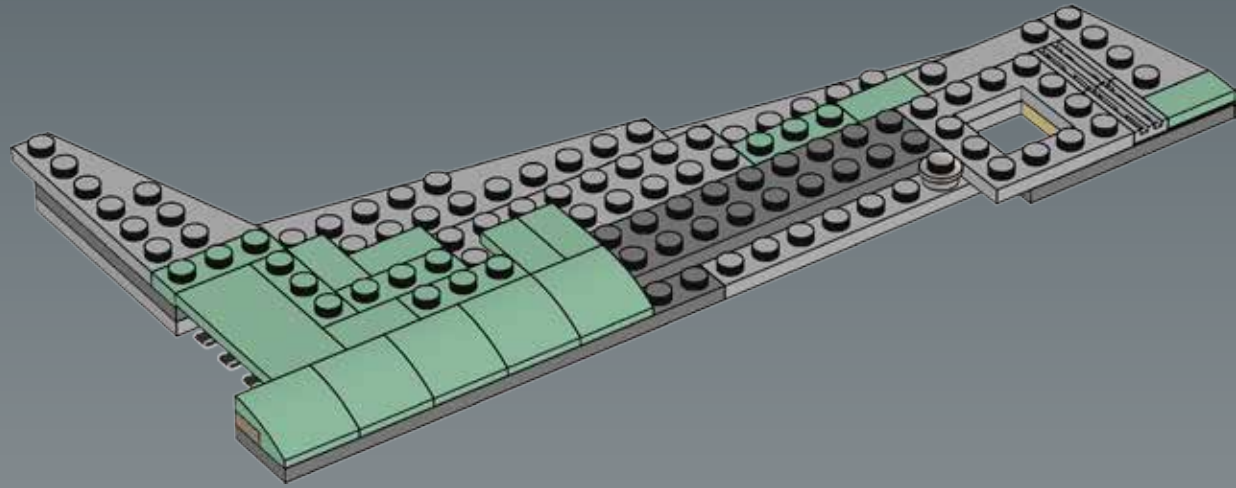


14

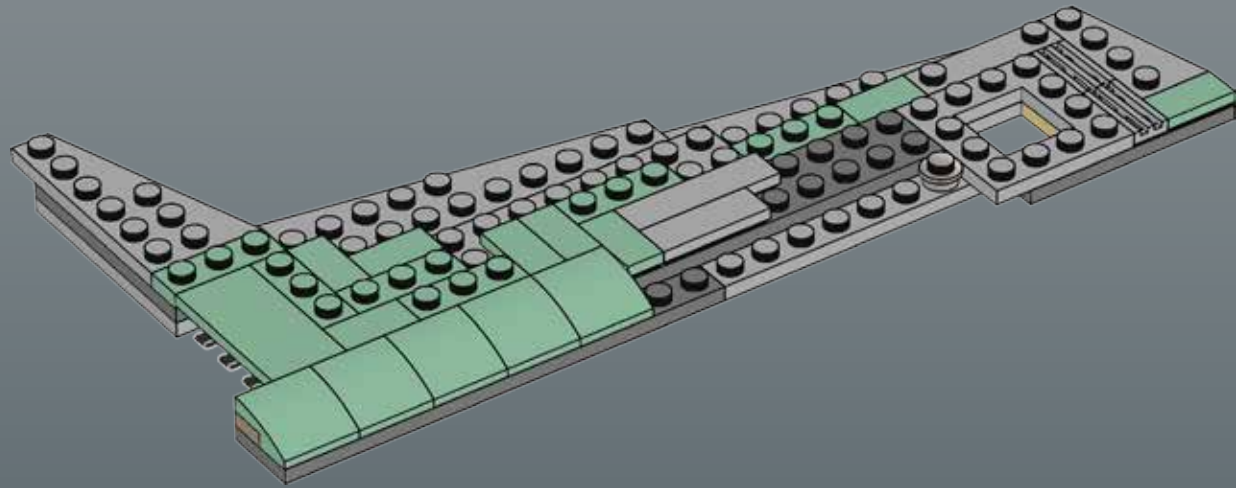




15

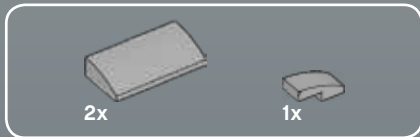
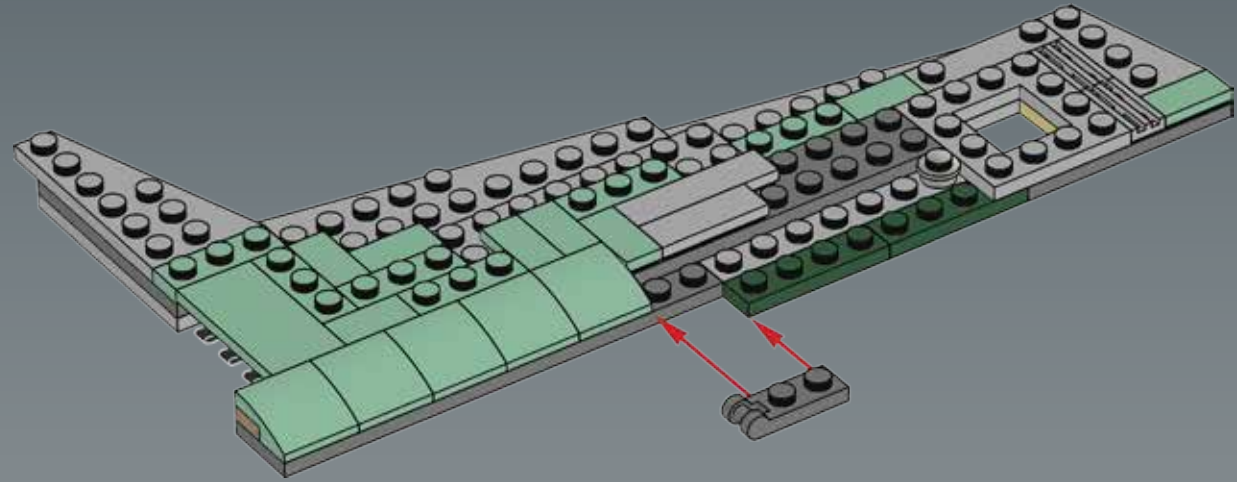


16

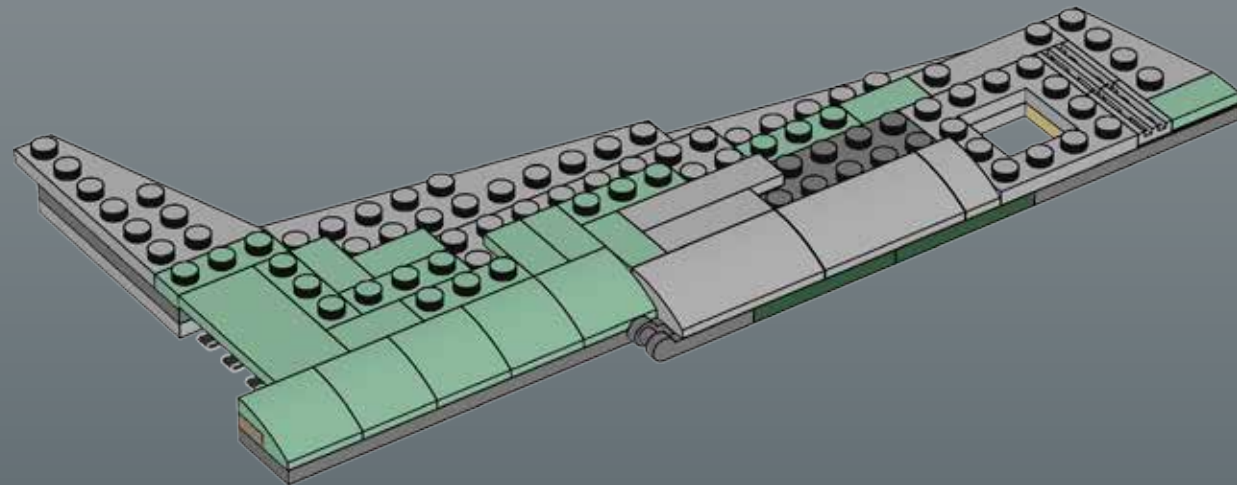


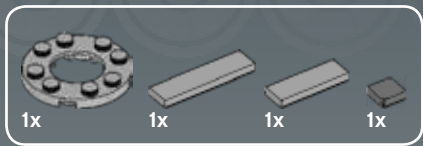


17

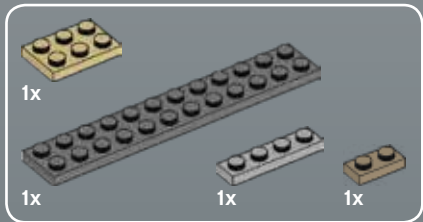
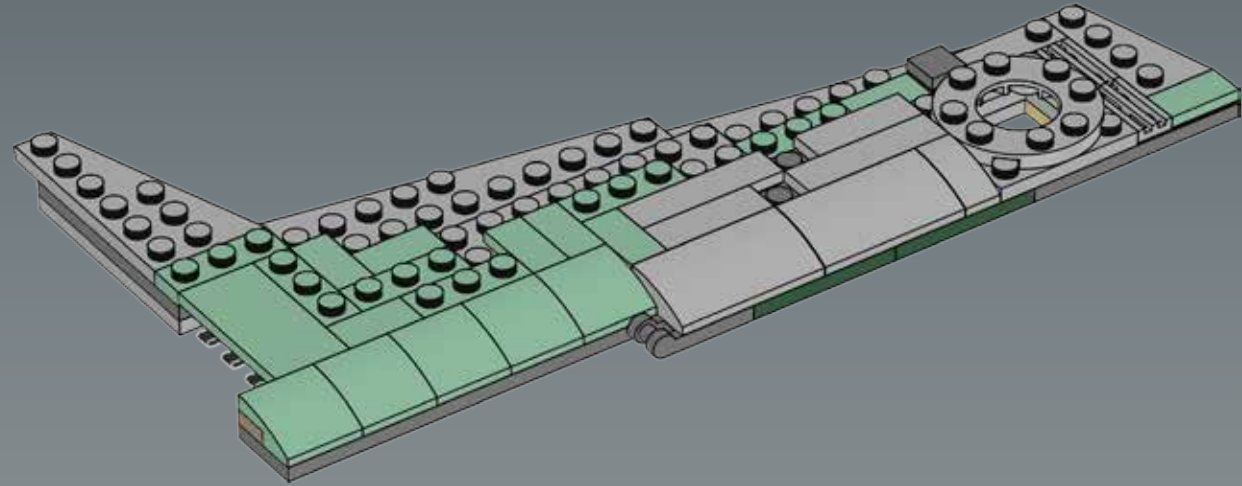


18

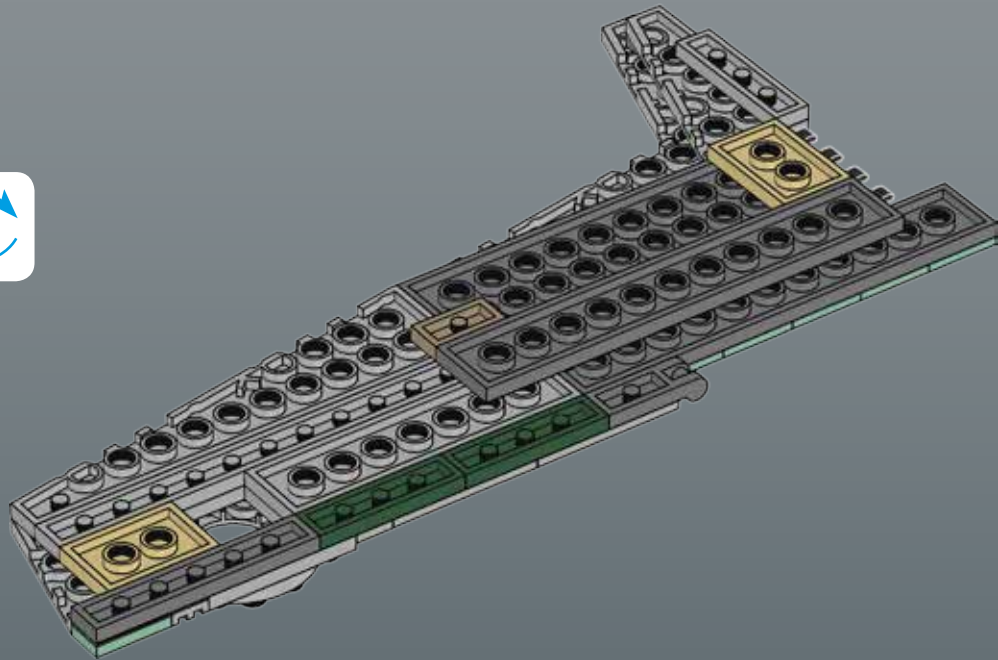




19

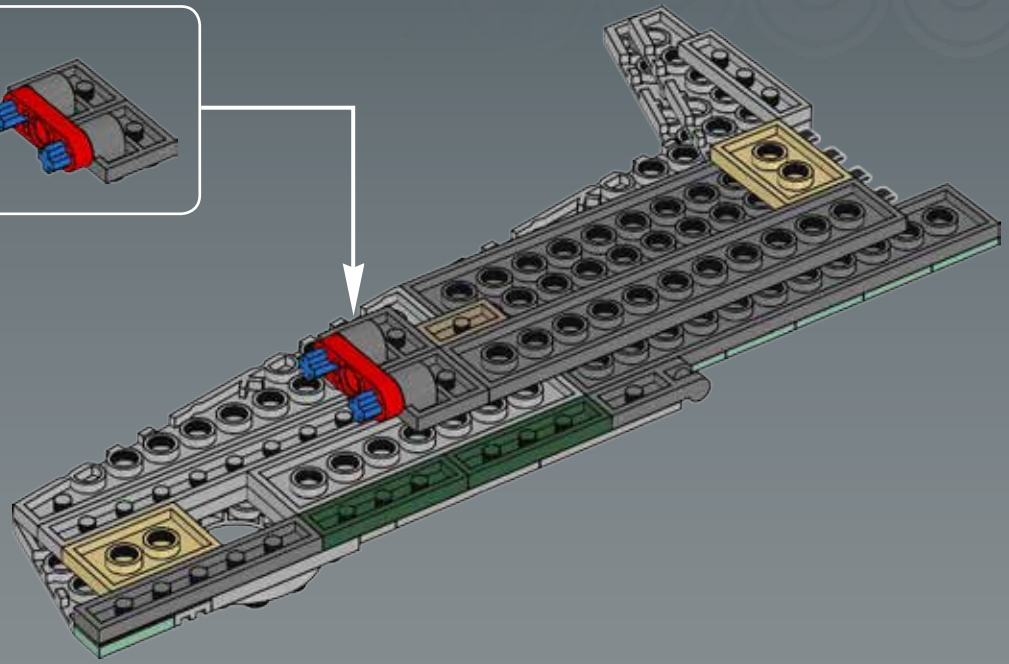
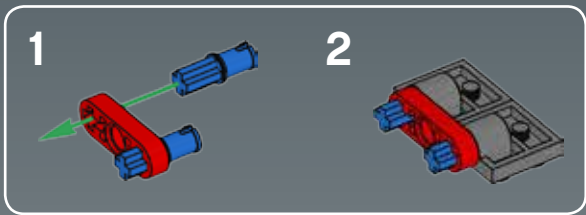


20

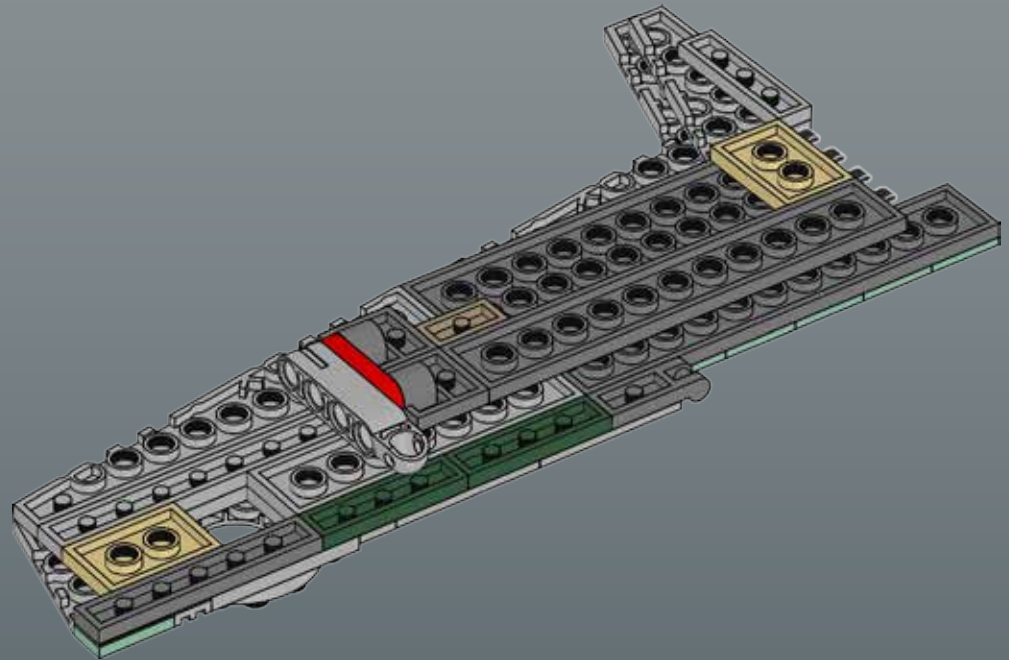




21

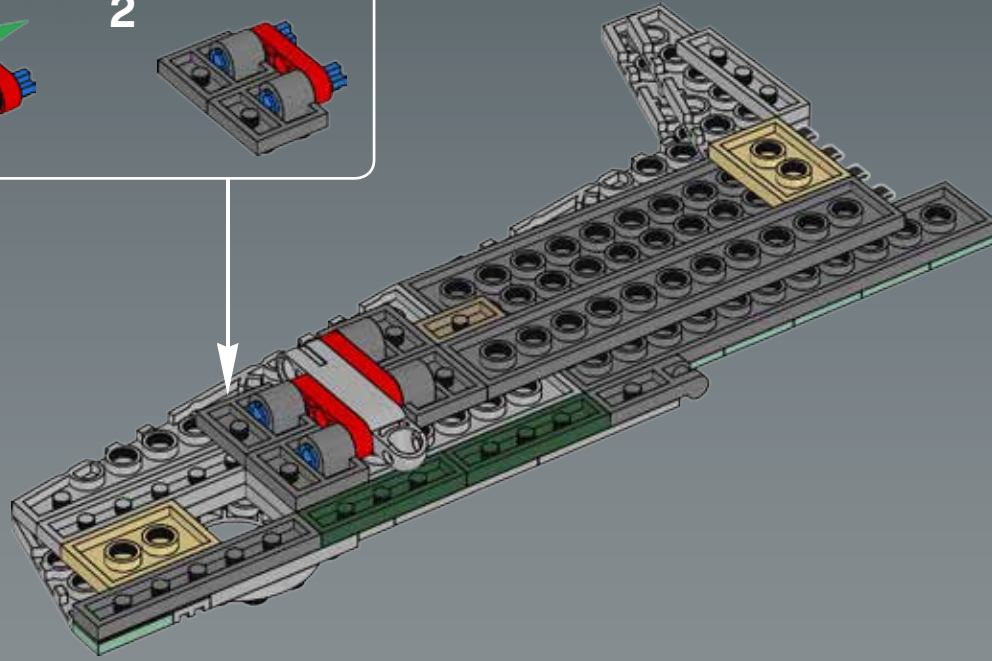
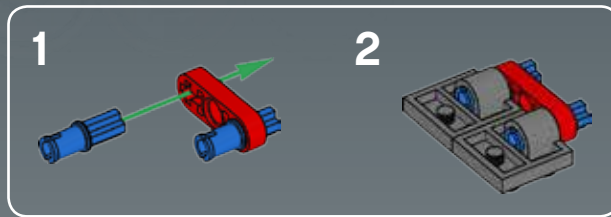


22

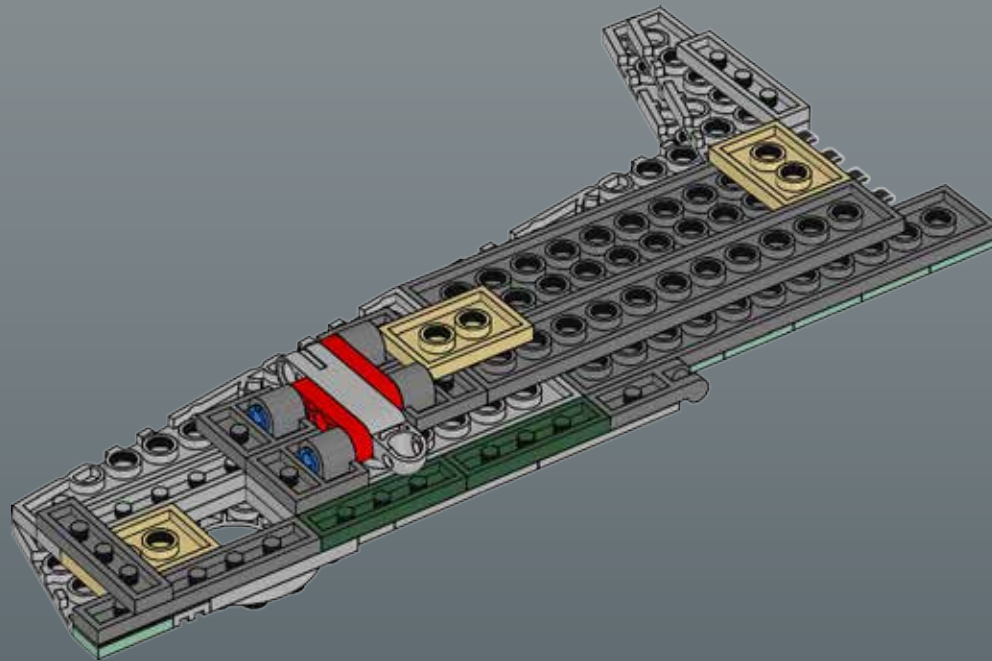




23

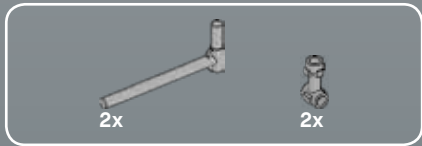
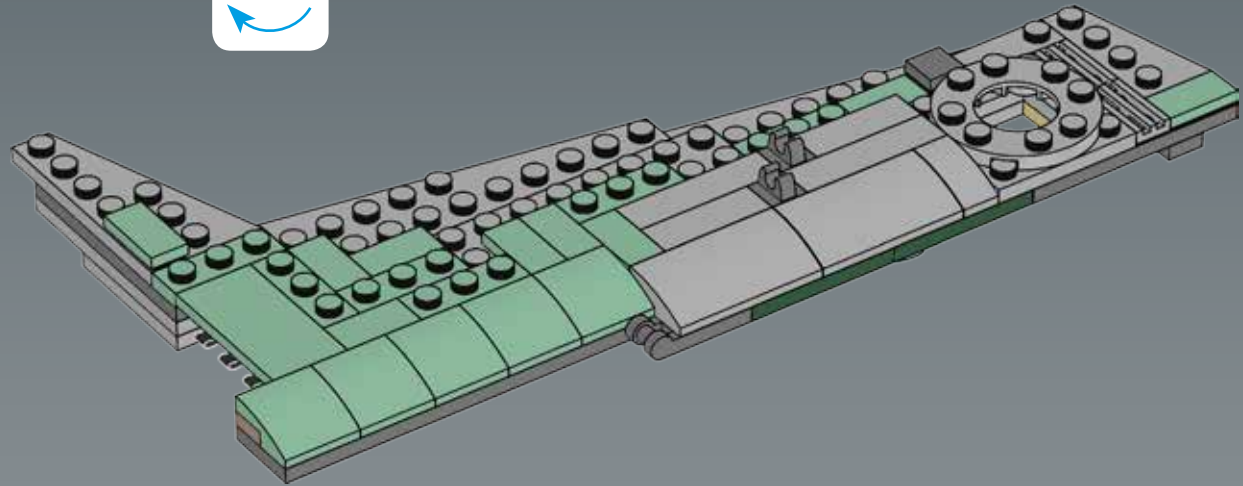


24

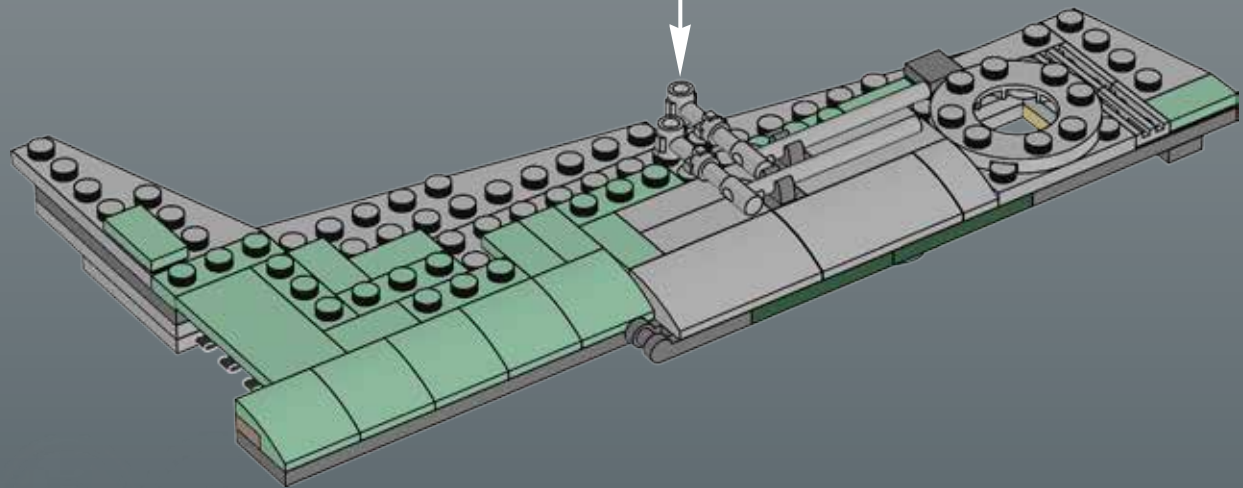
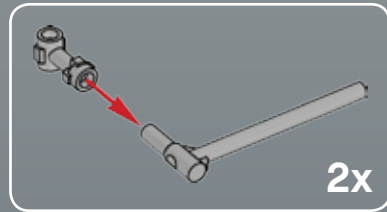


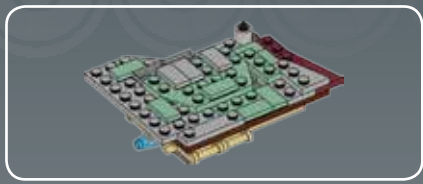


25

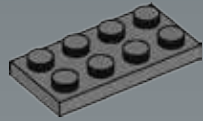


26





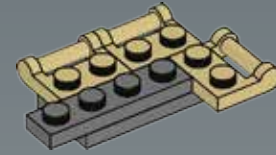
1



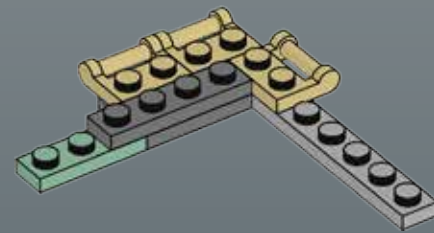
2



3

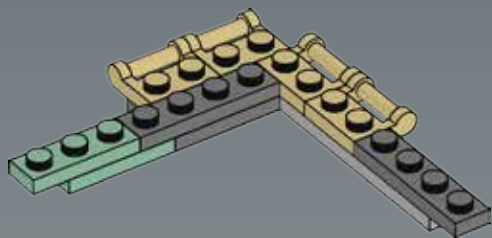


4

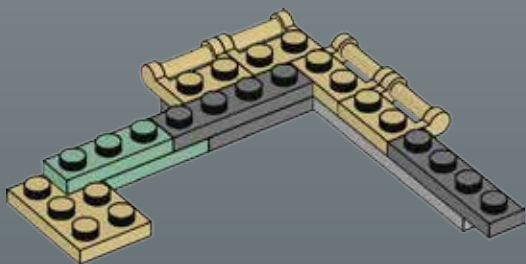




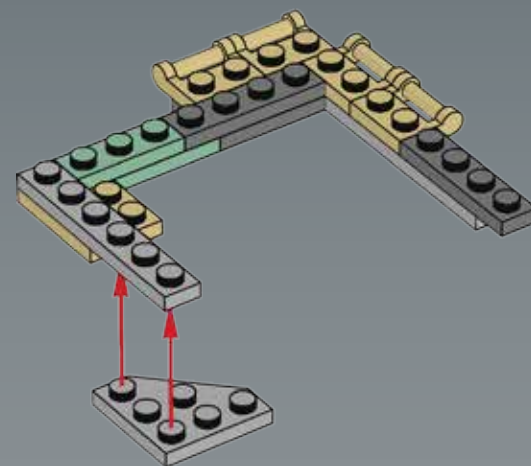
5



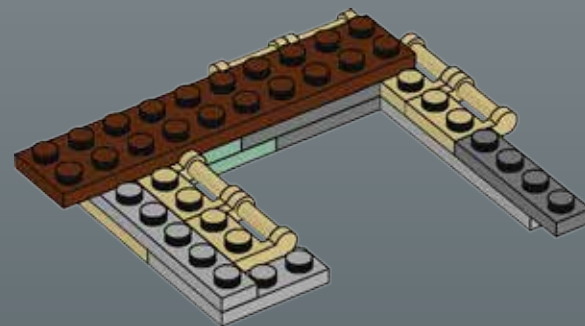
6

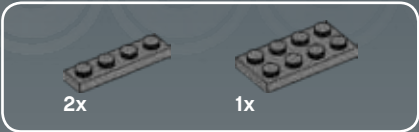


7

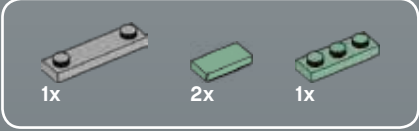
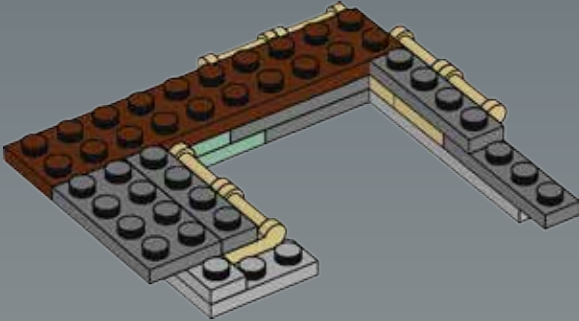


8

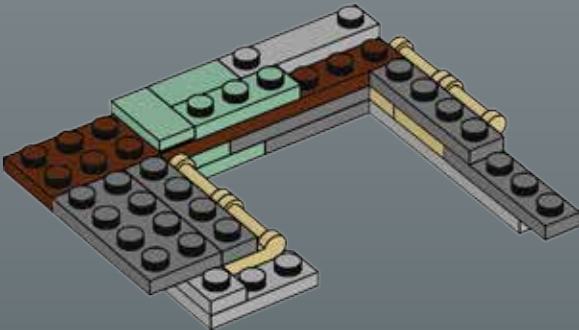




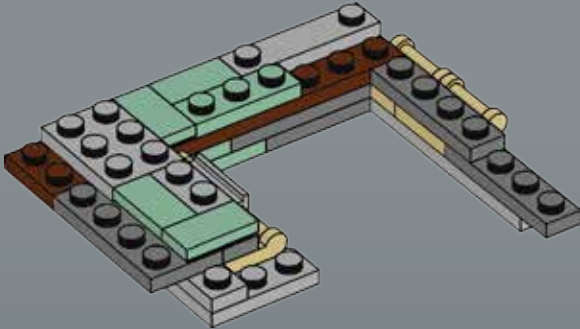
9

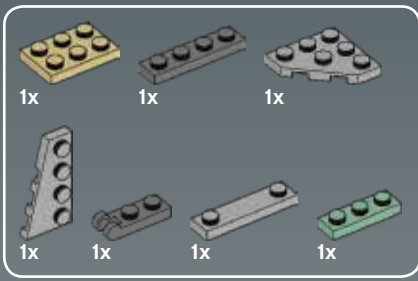


10

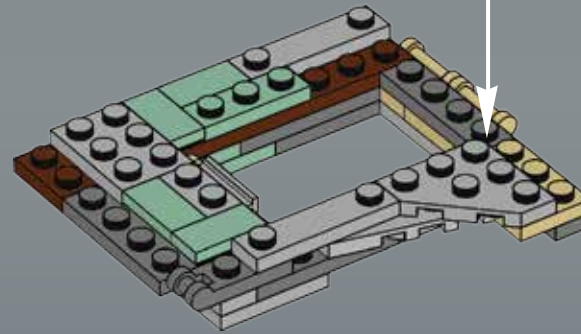
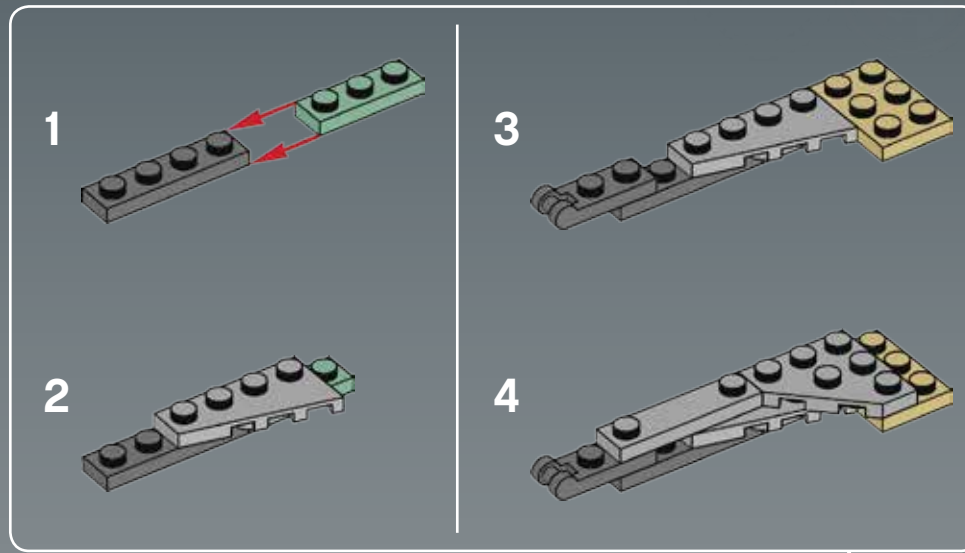


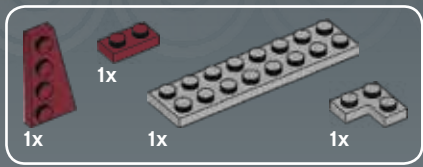
11



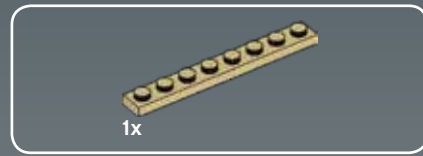
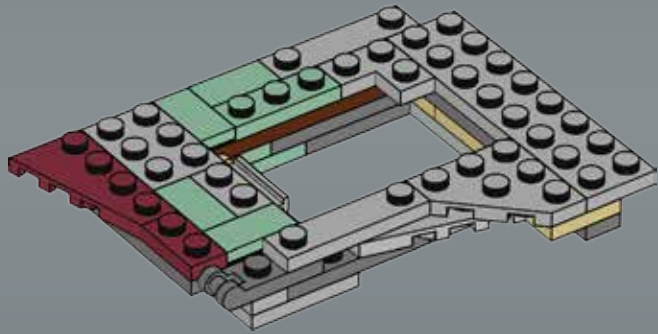


12

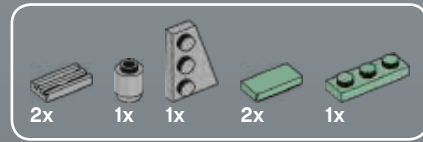
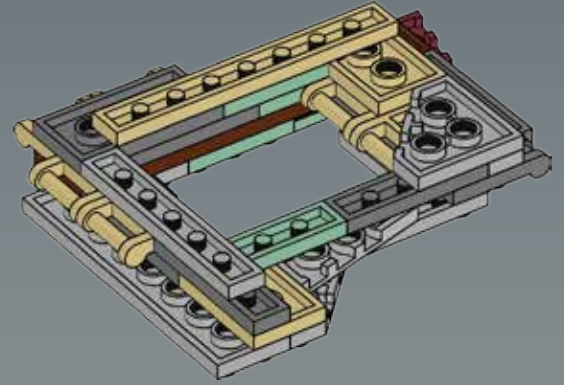




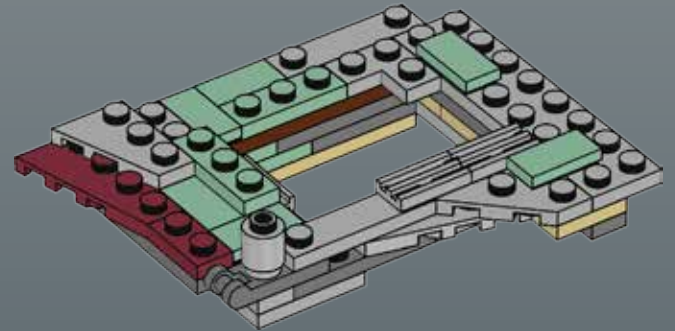
13

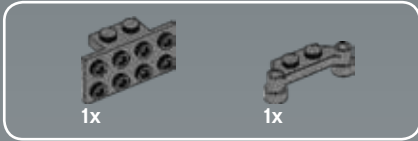


14

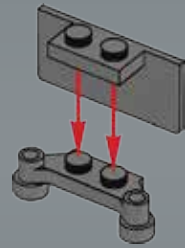


15

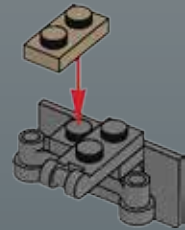




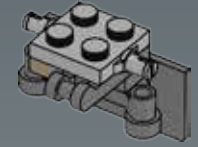
1



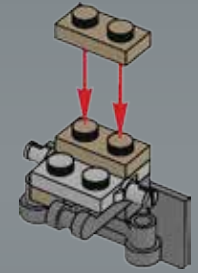
2



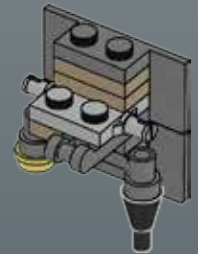
3

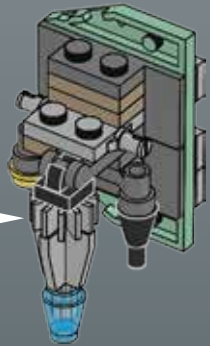
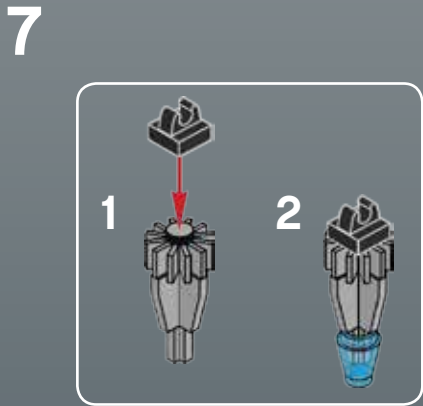
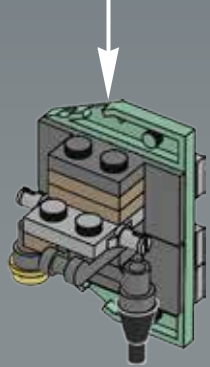
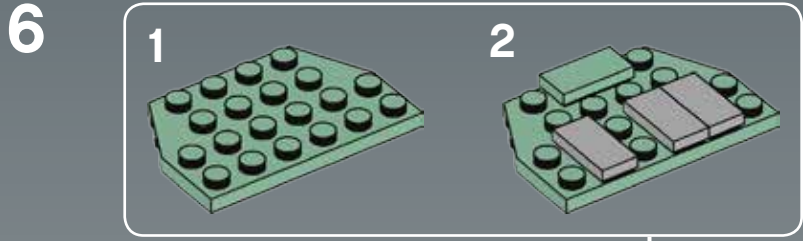
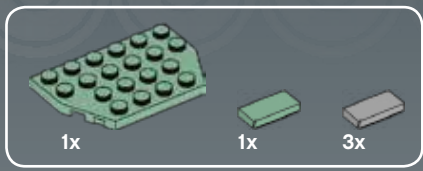


4

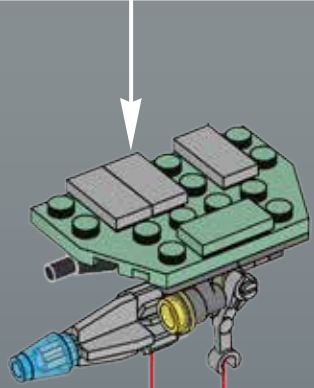
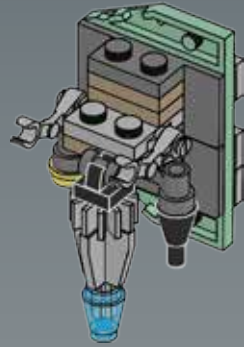


5

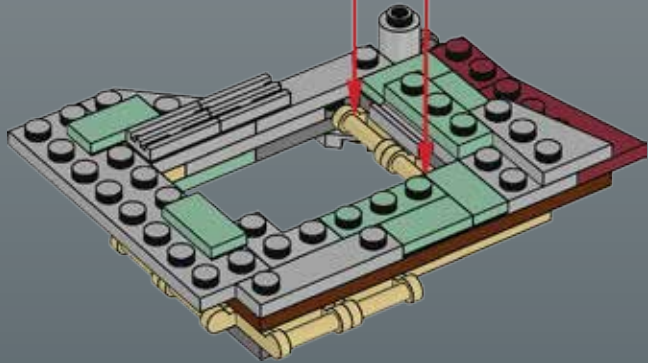




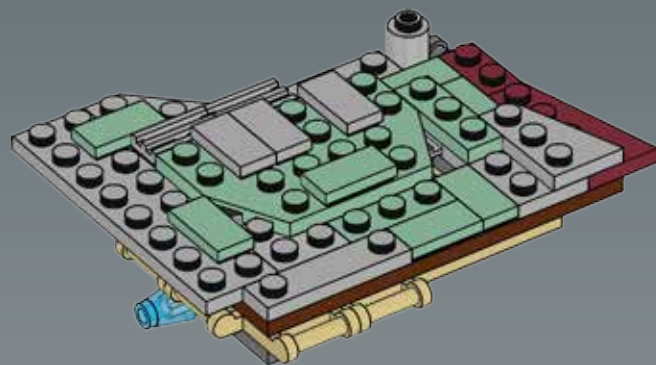
8



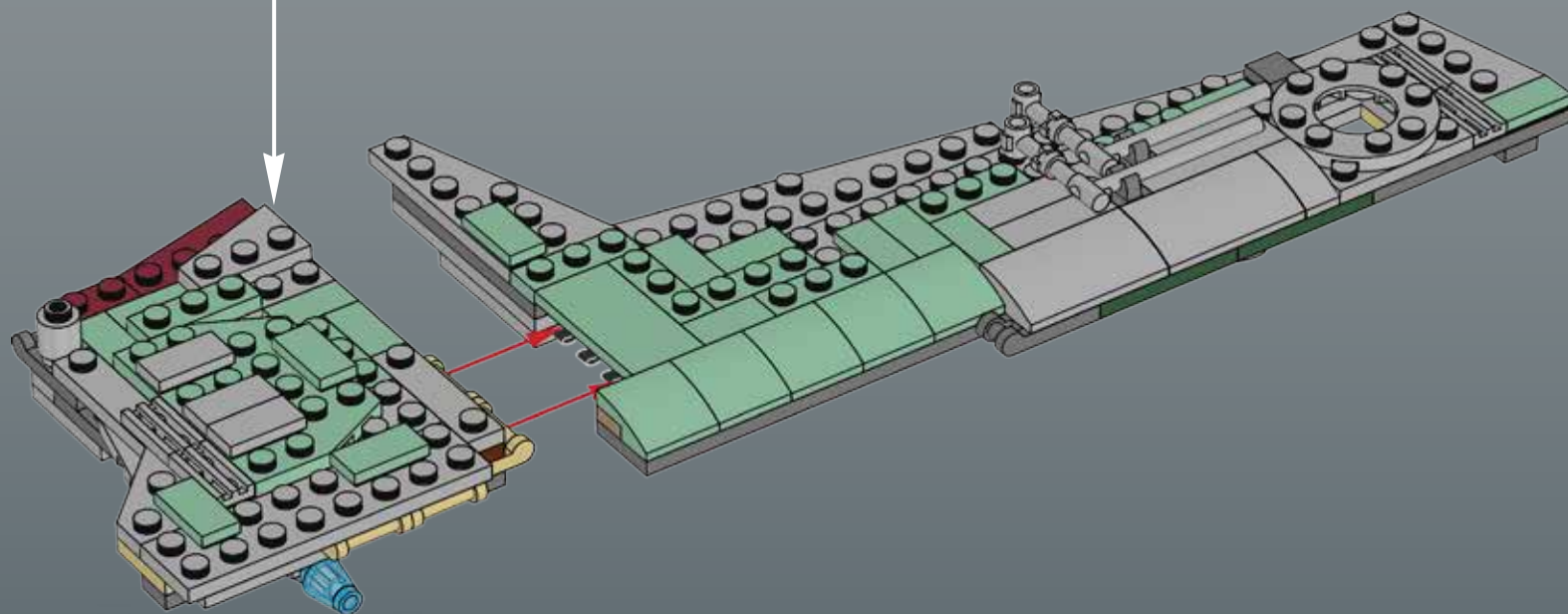
16

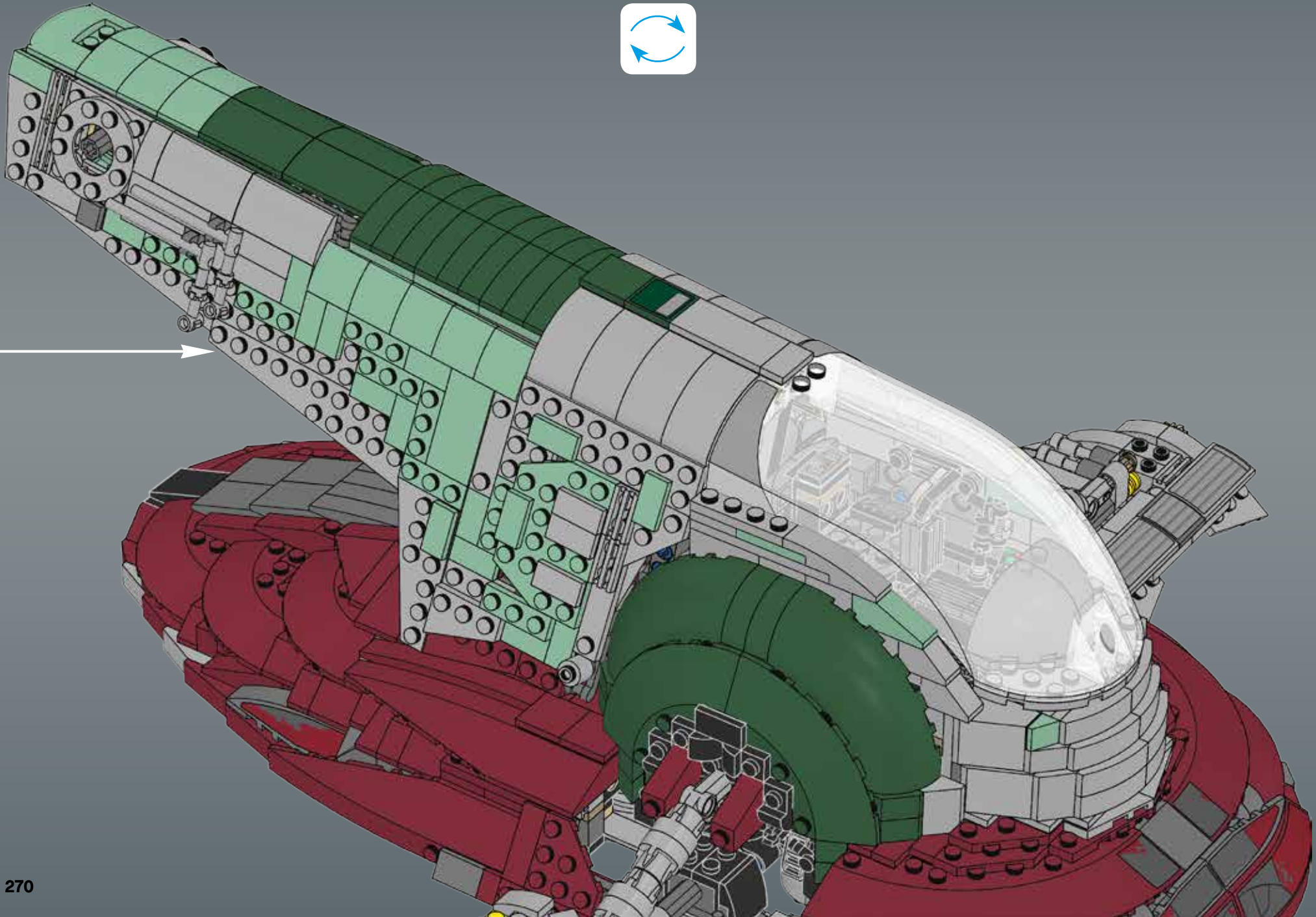


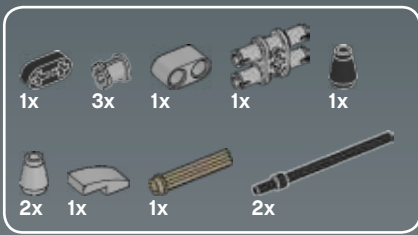
17



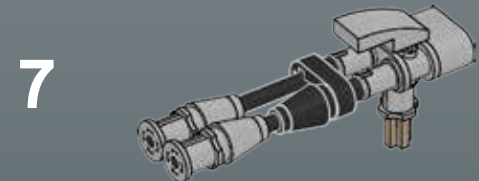
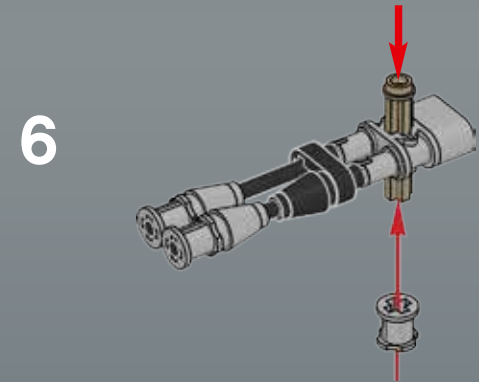
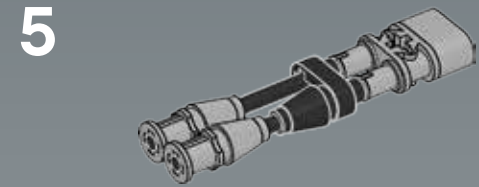
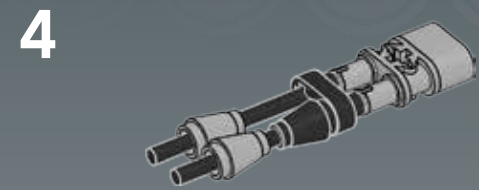
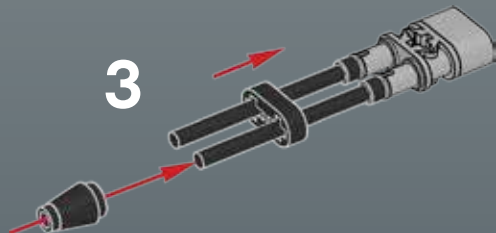
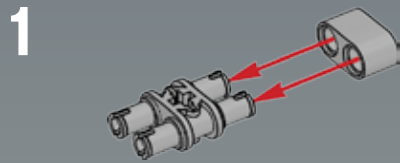
27

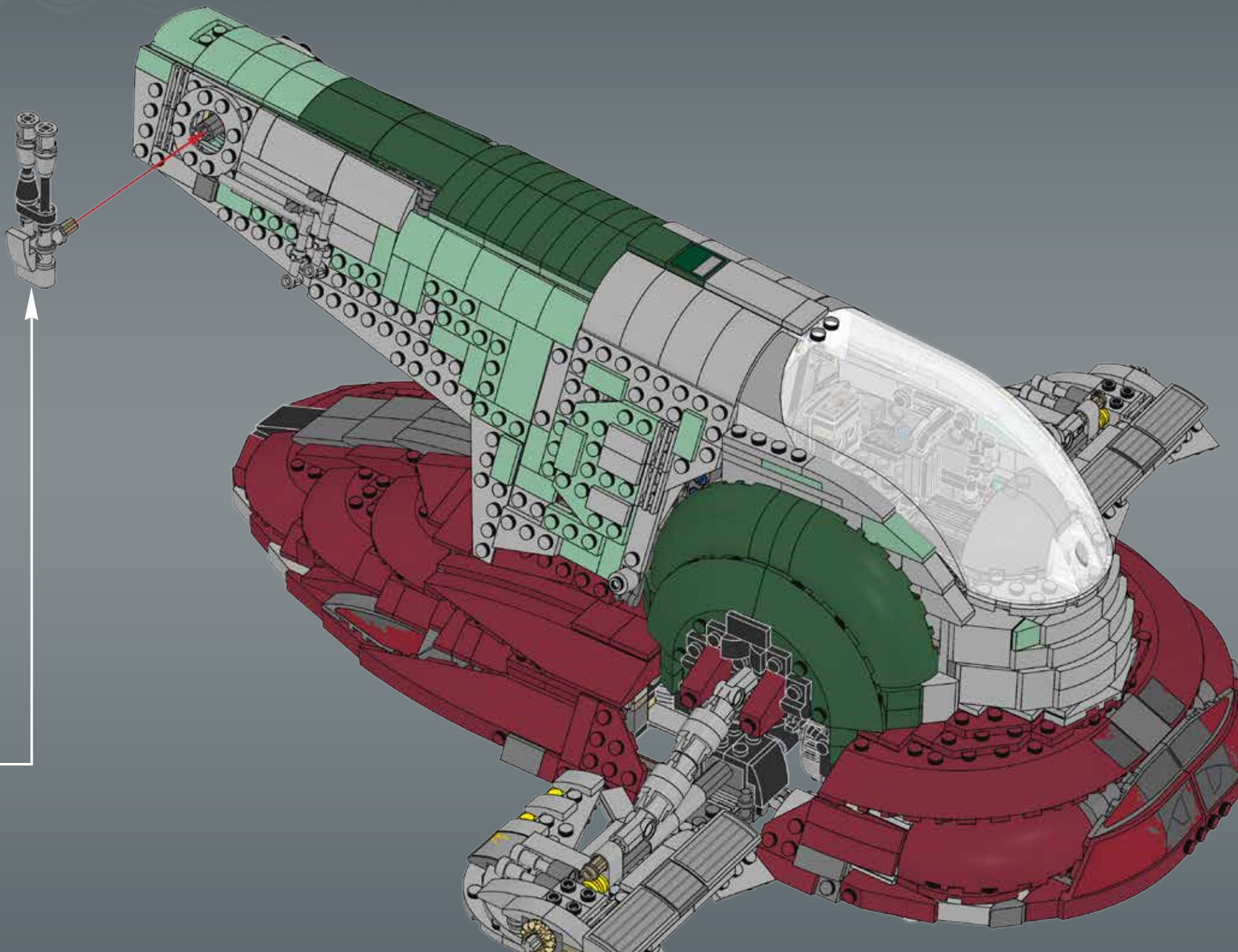


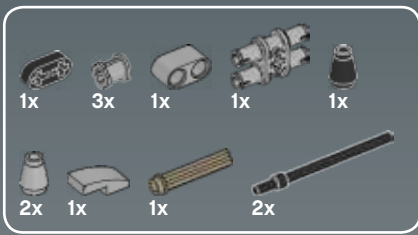




111

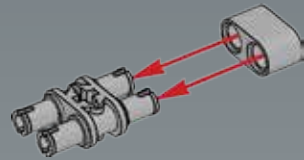




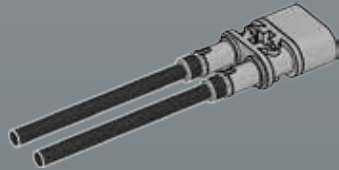


112

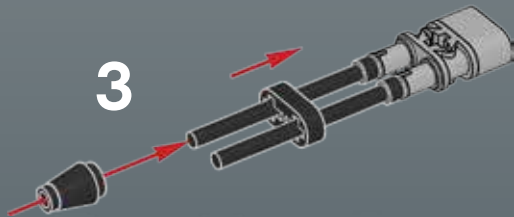
1



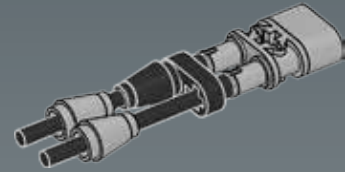
2



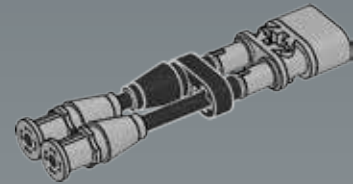
3



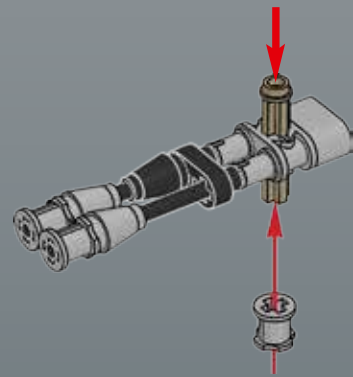
4



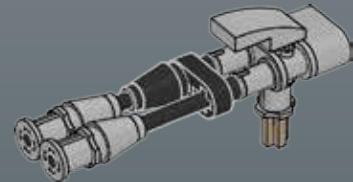
5

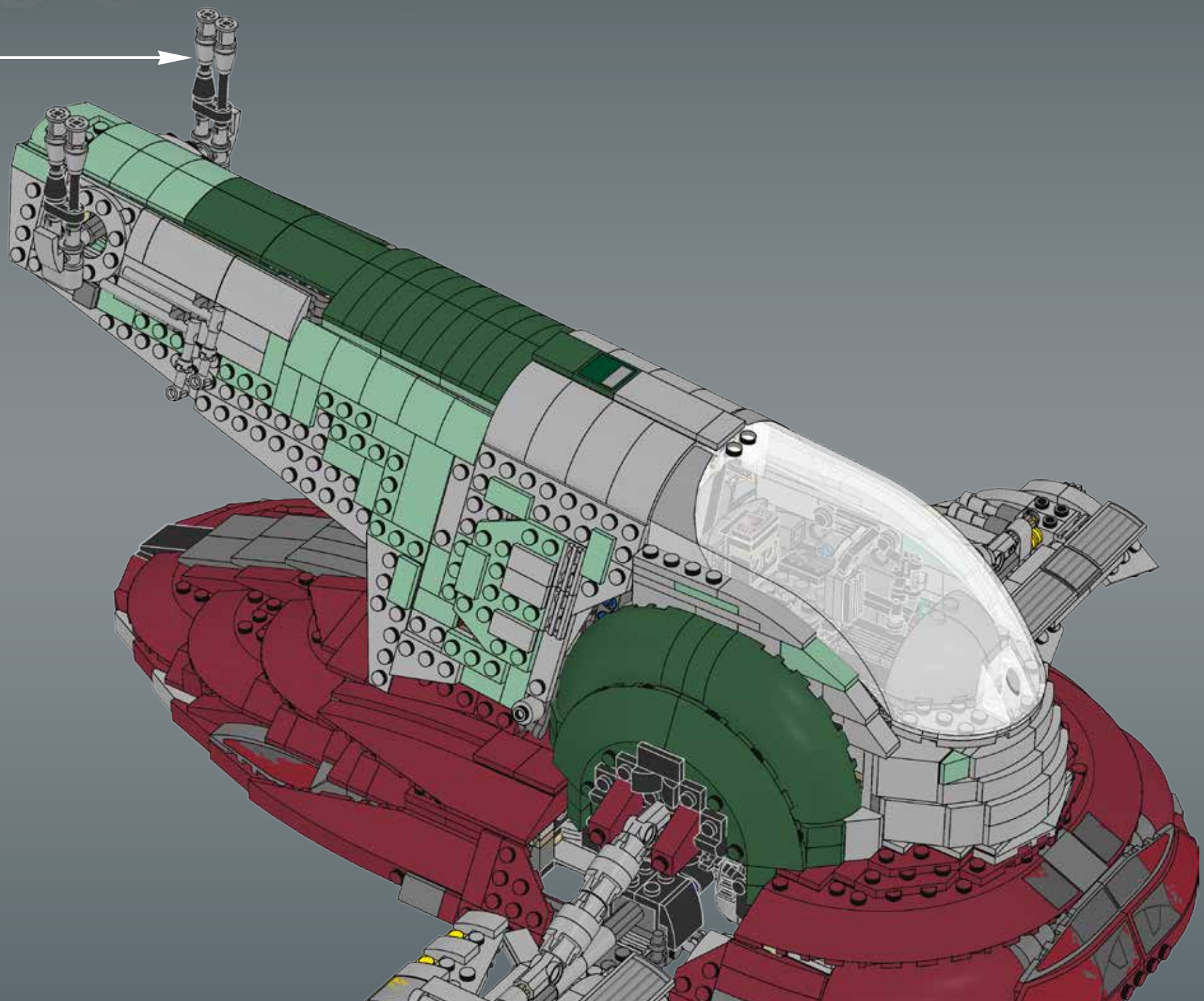


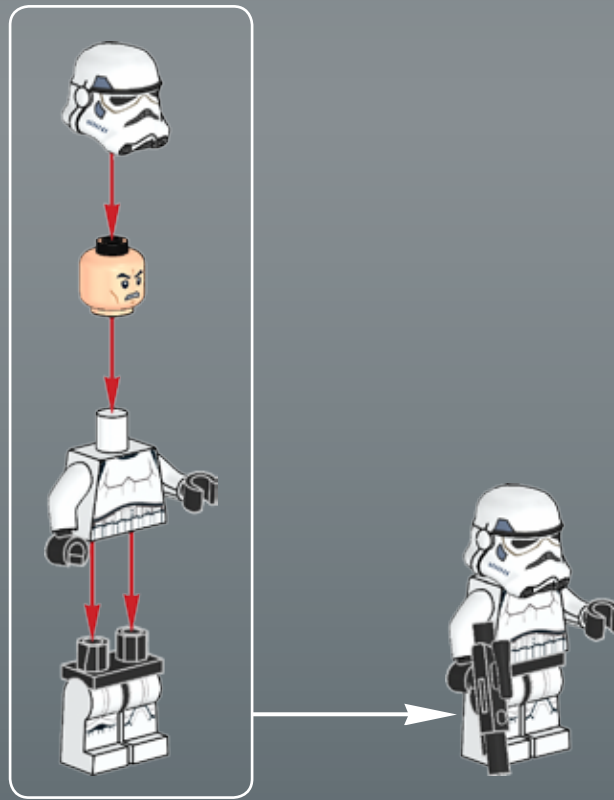
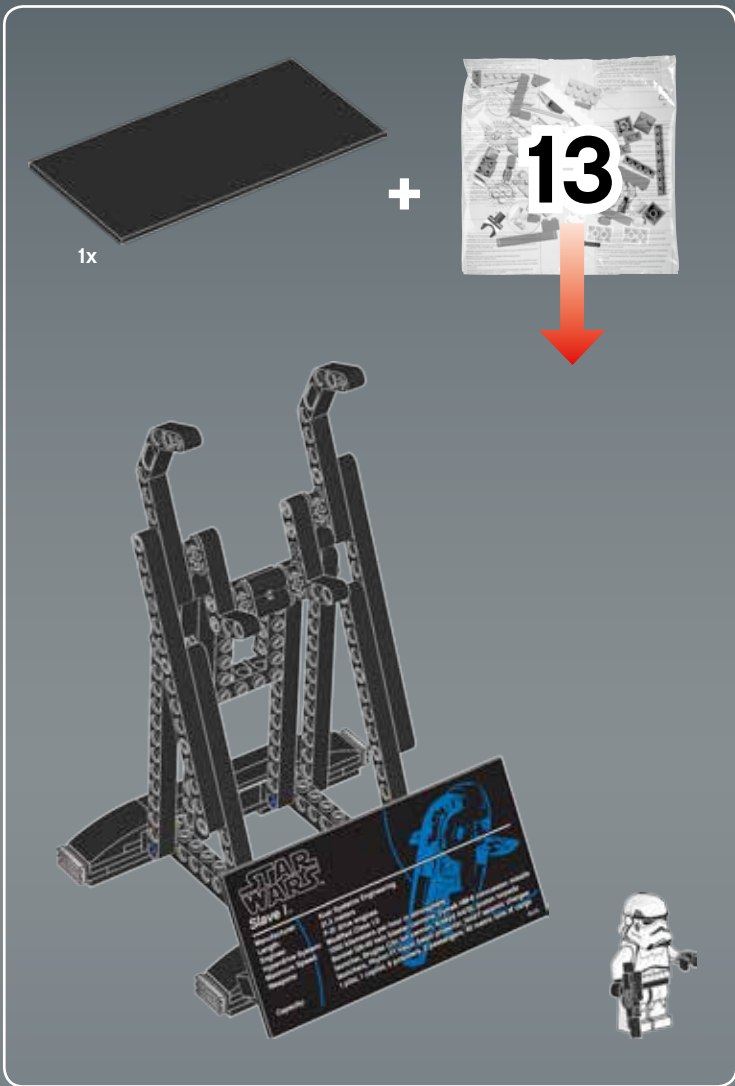
6

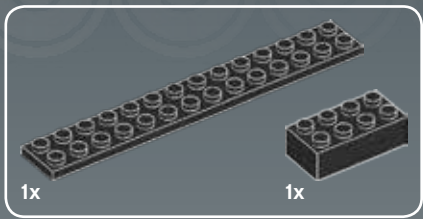


7

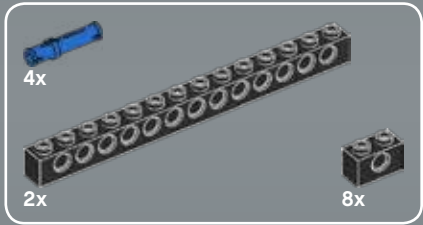
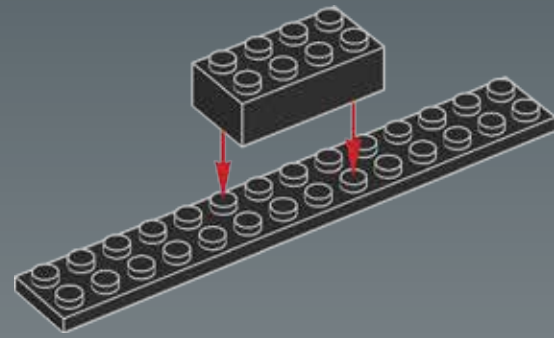




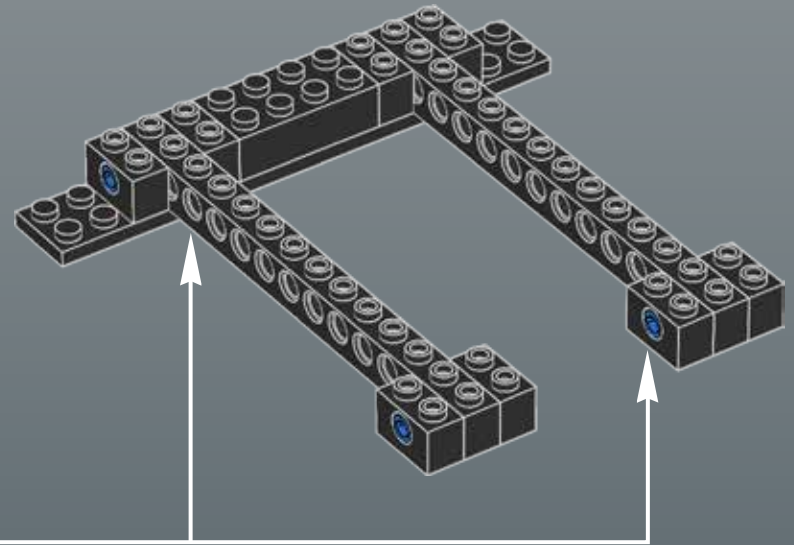
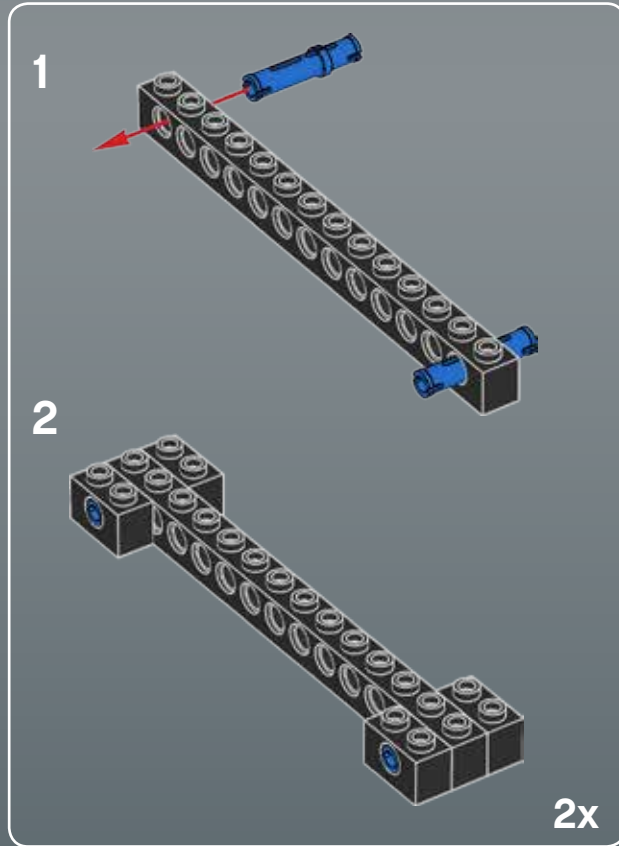


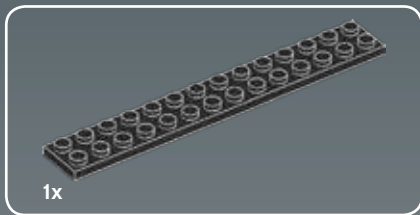


1

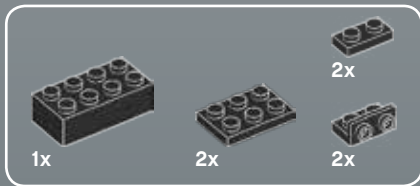
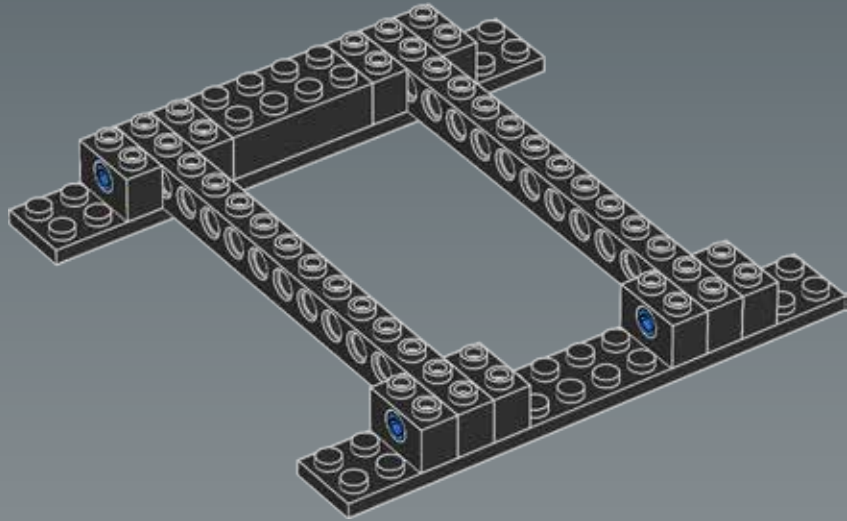


2

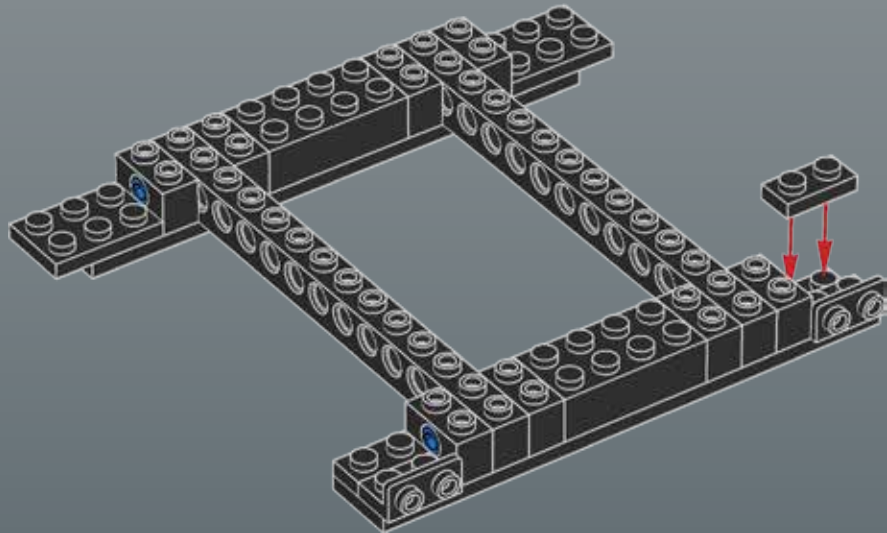




3

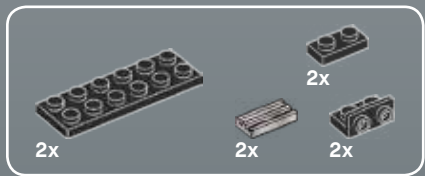
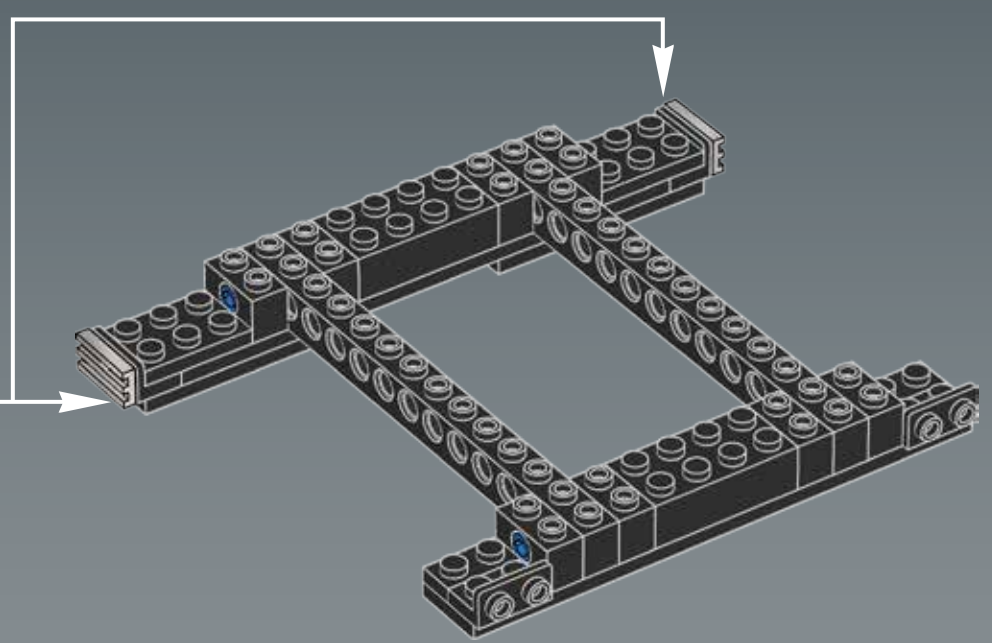
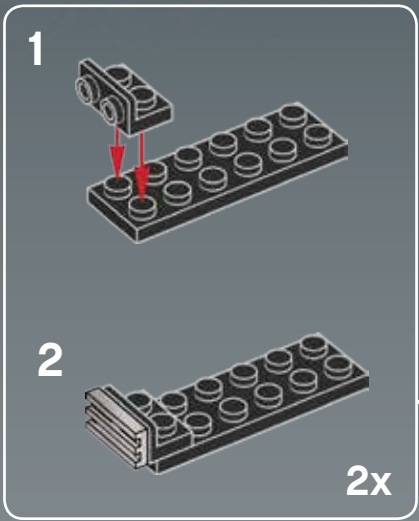


4

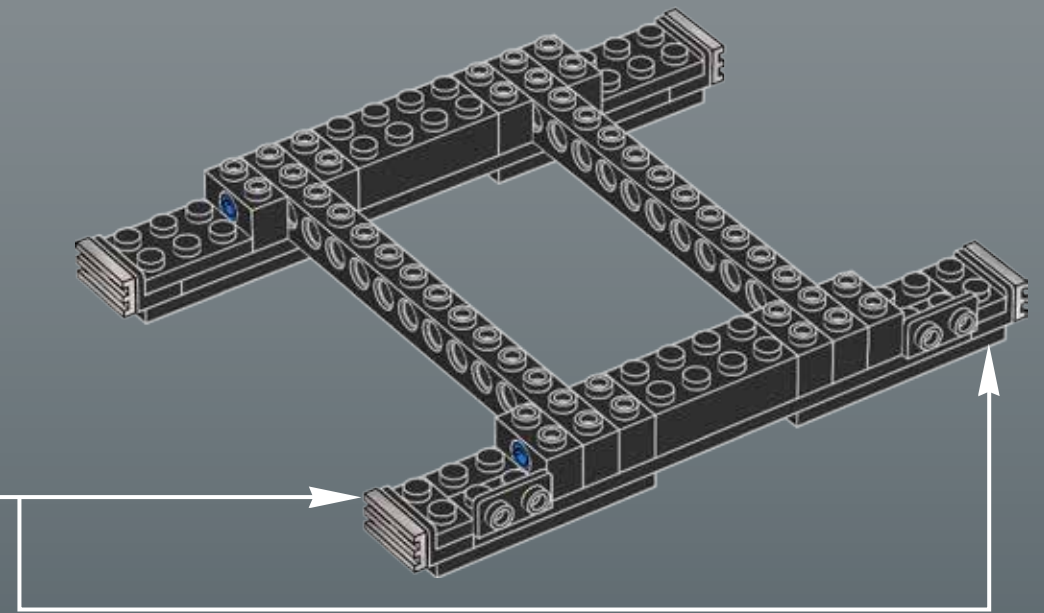
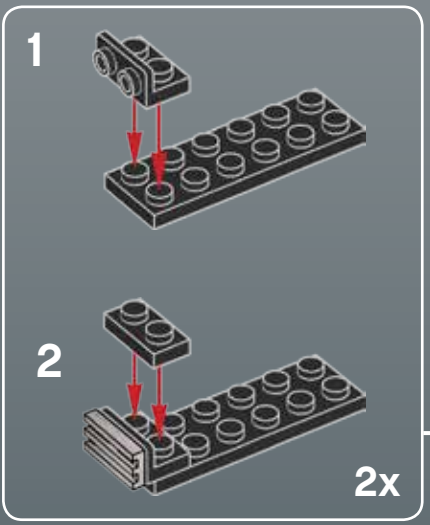




5



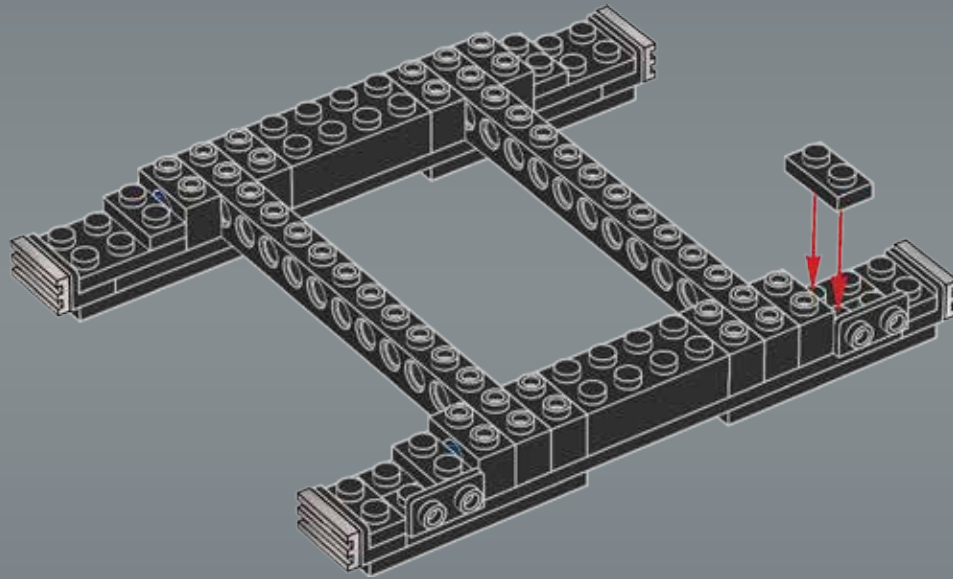
6





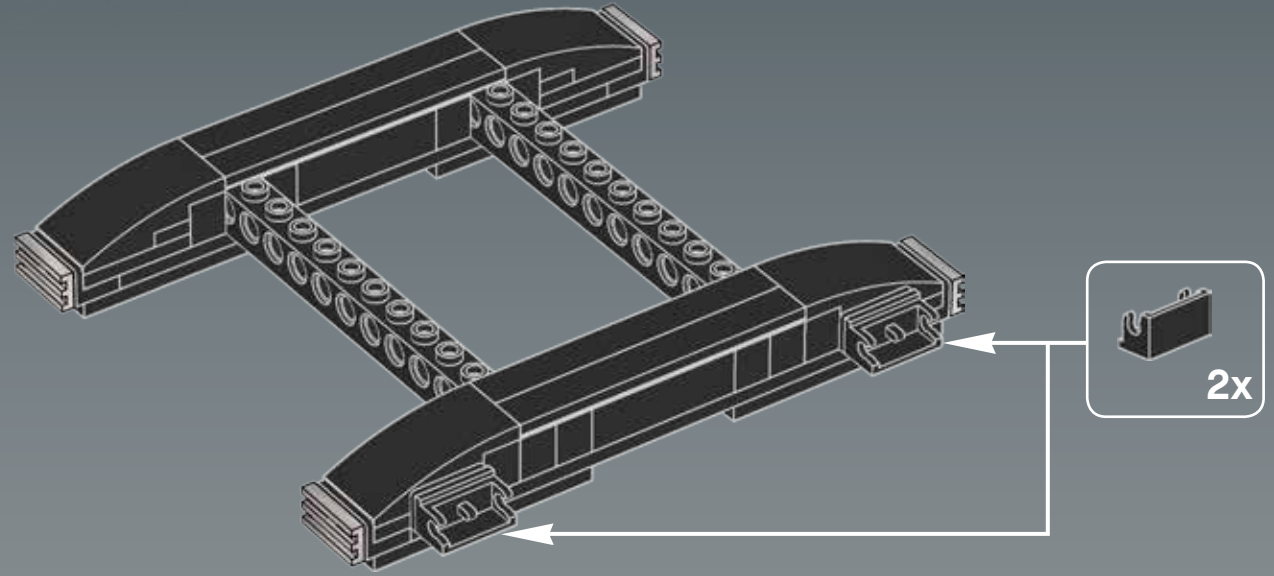
4x

7

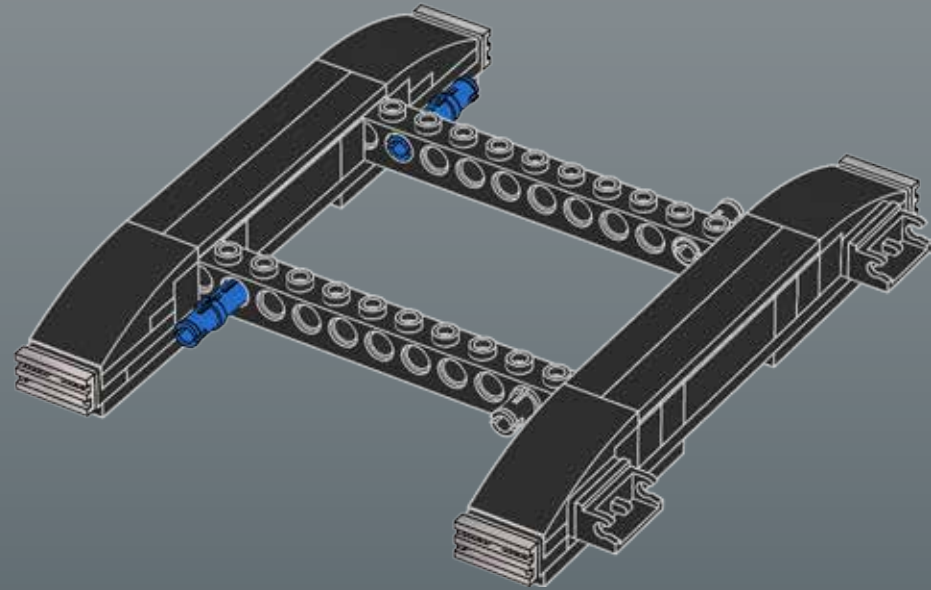


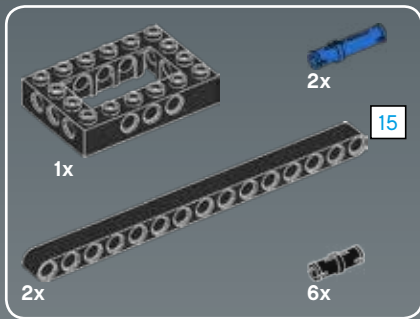


8

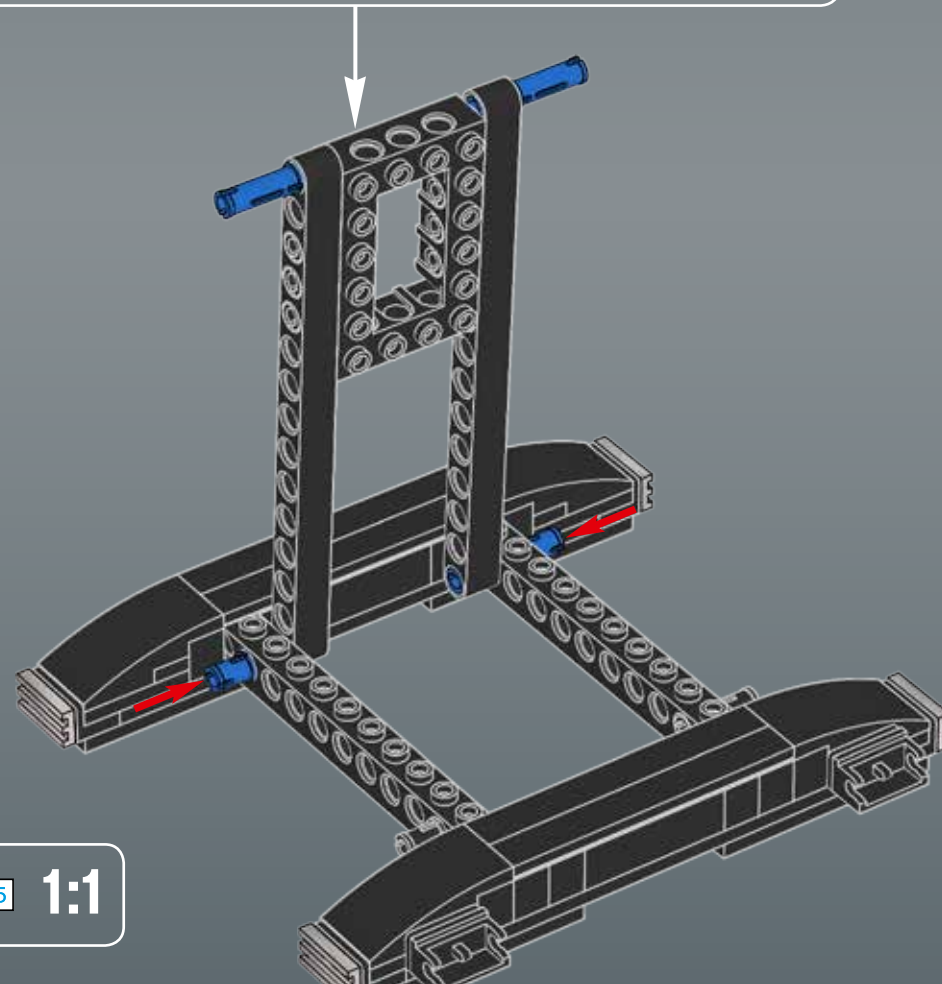
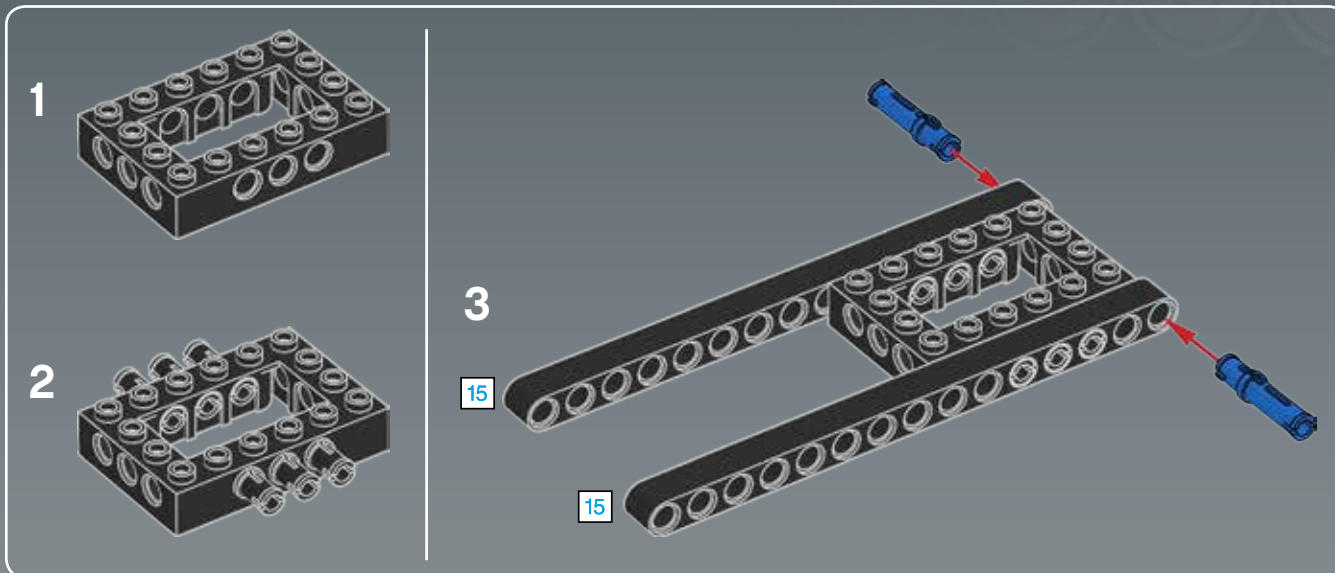


9



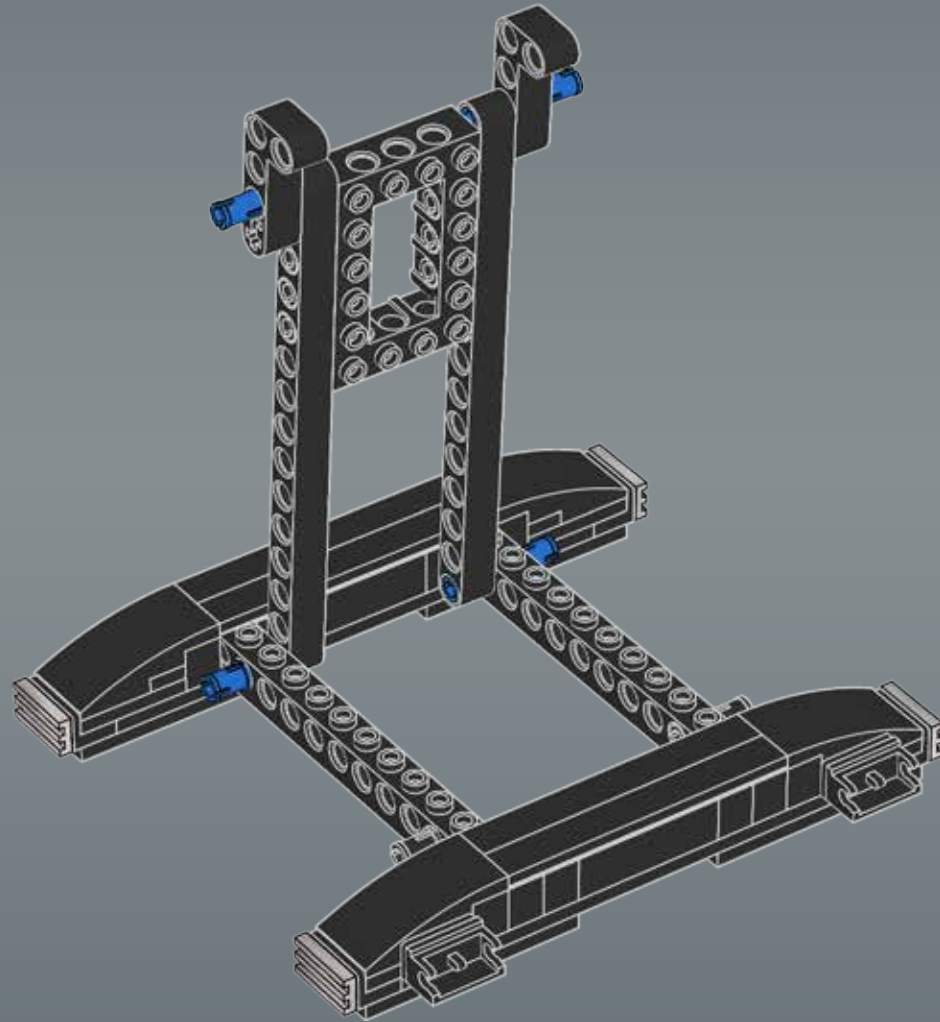


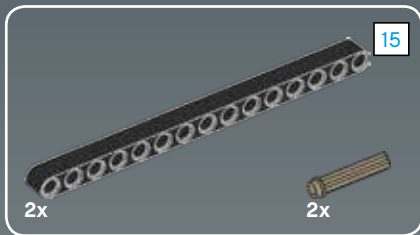
10



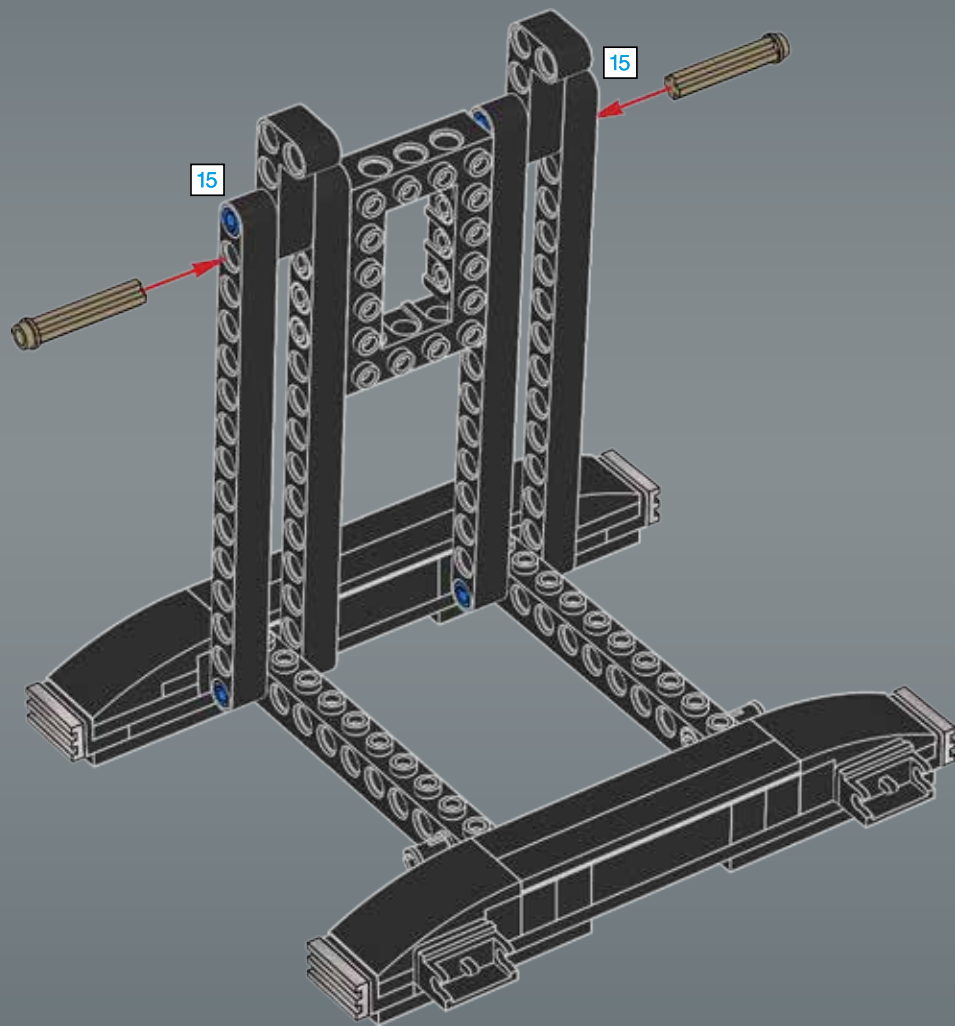


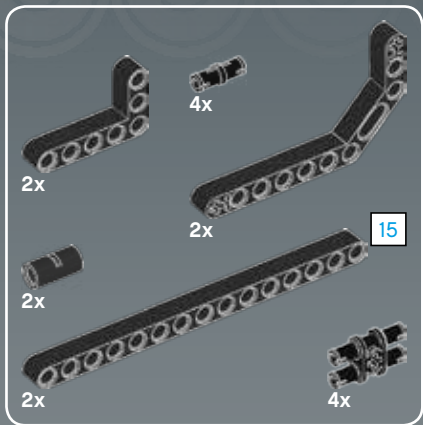
11





12



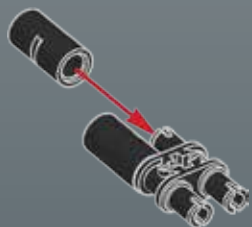


13

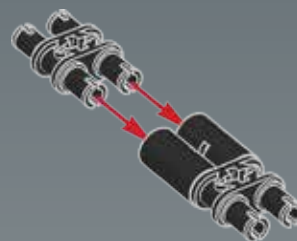
1



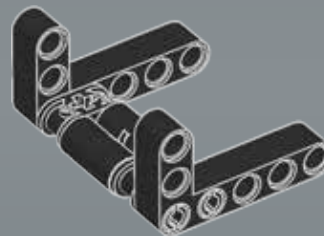
2



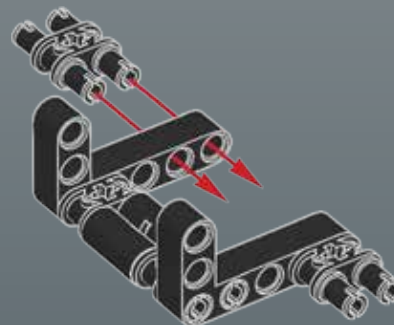
3



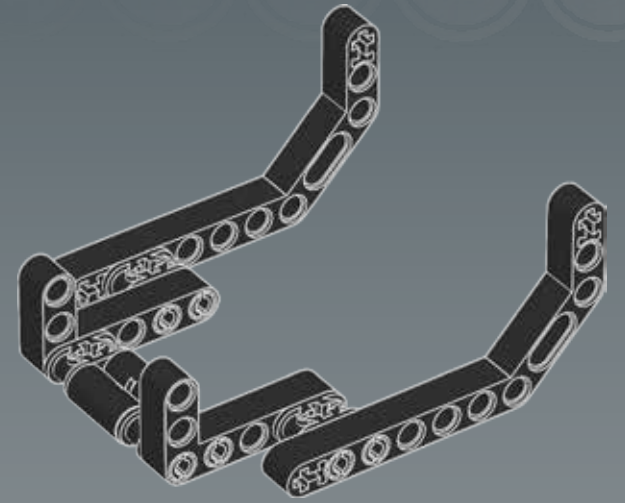
4



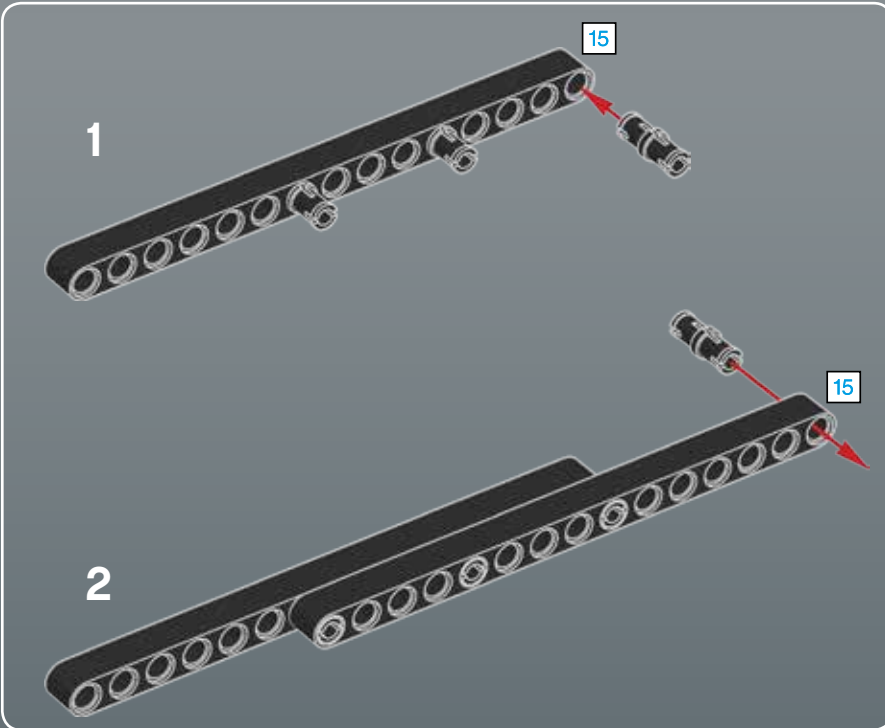
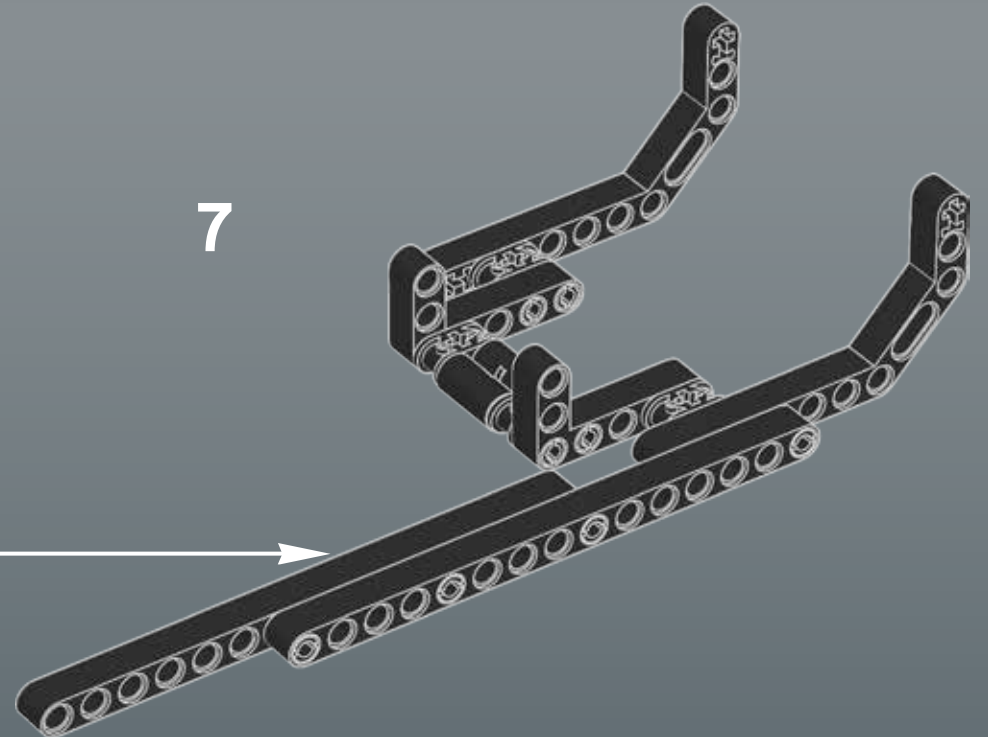
5

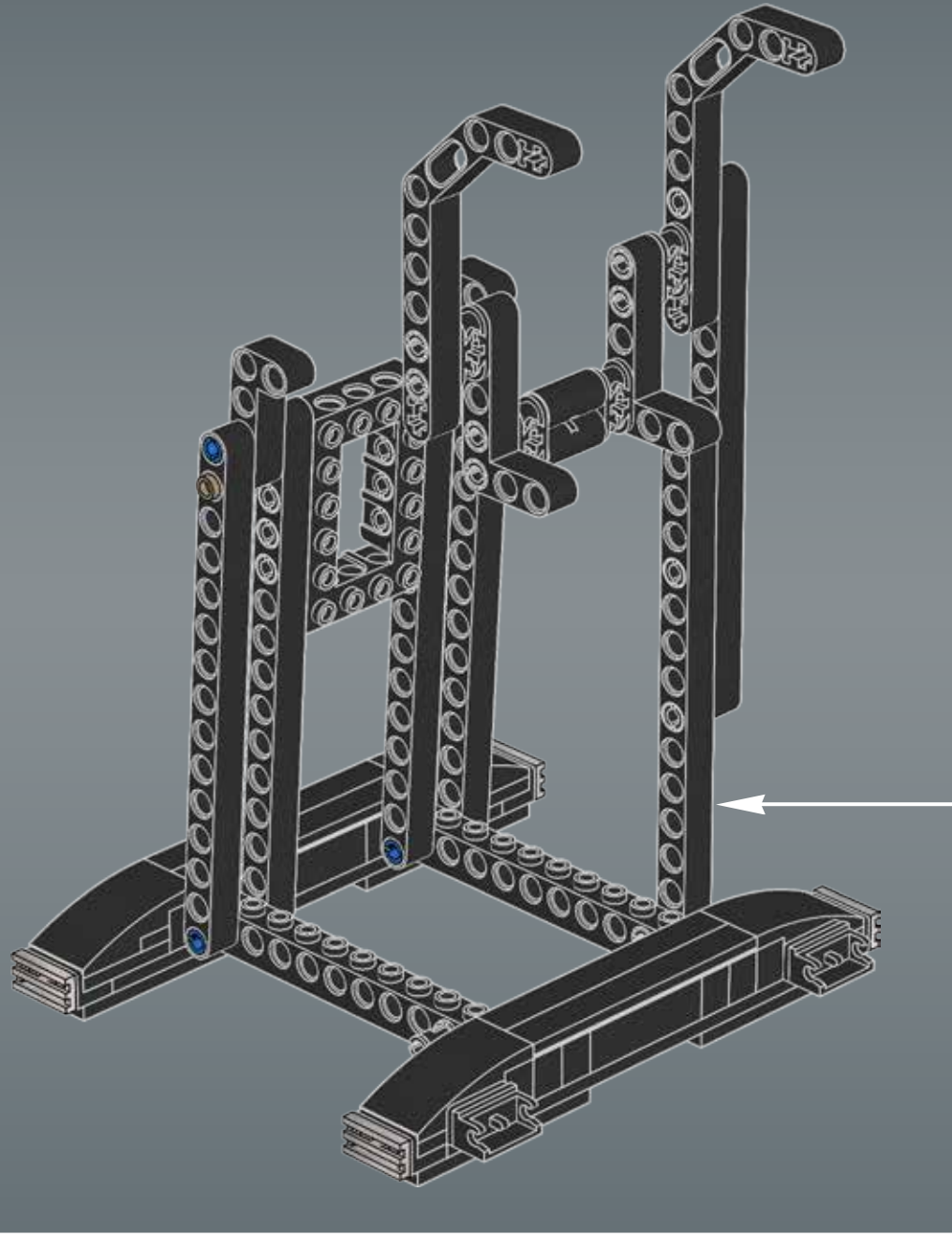


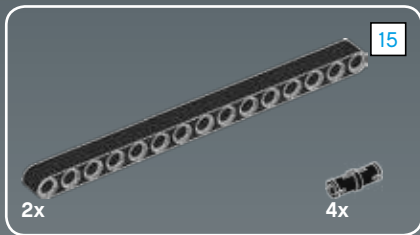
6



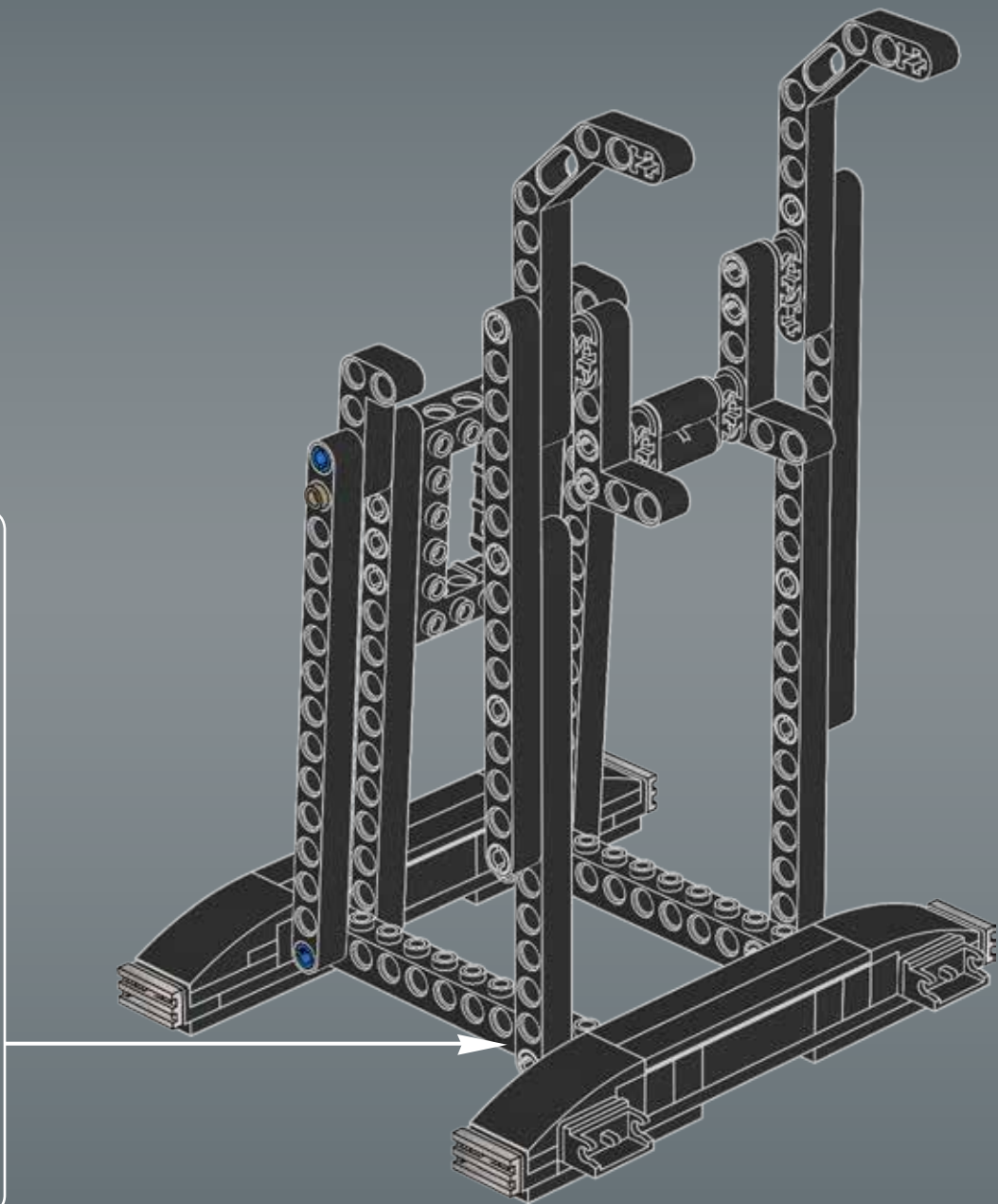
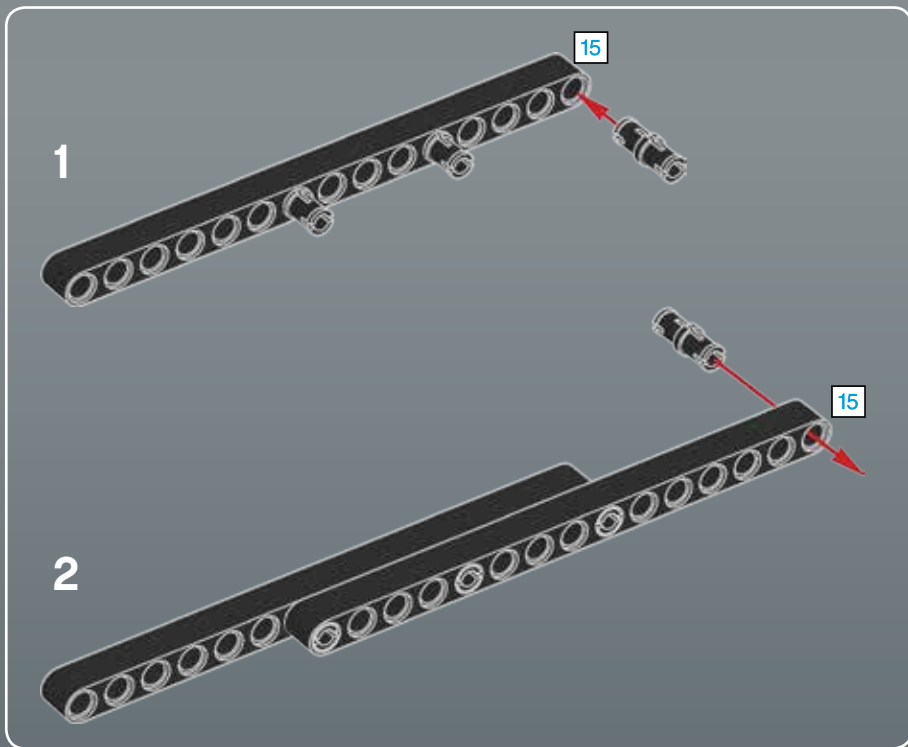
7

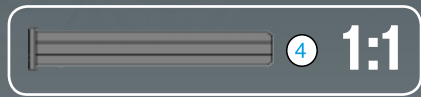
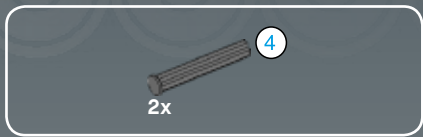




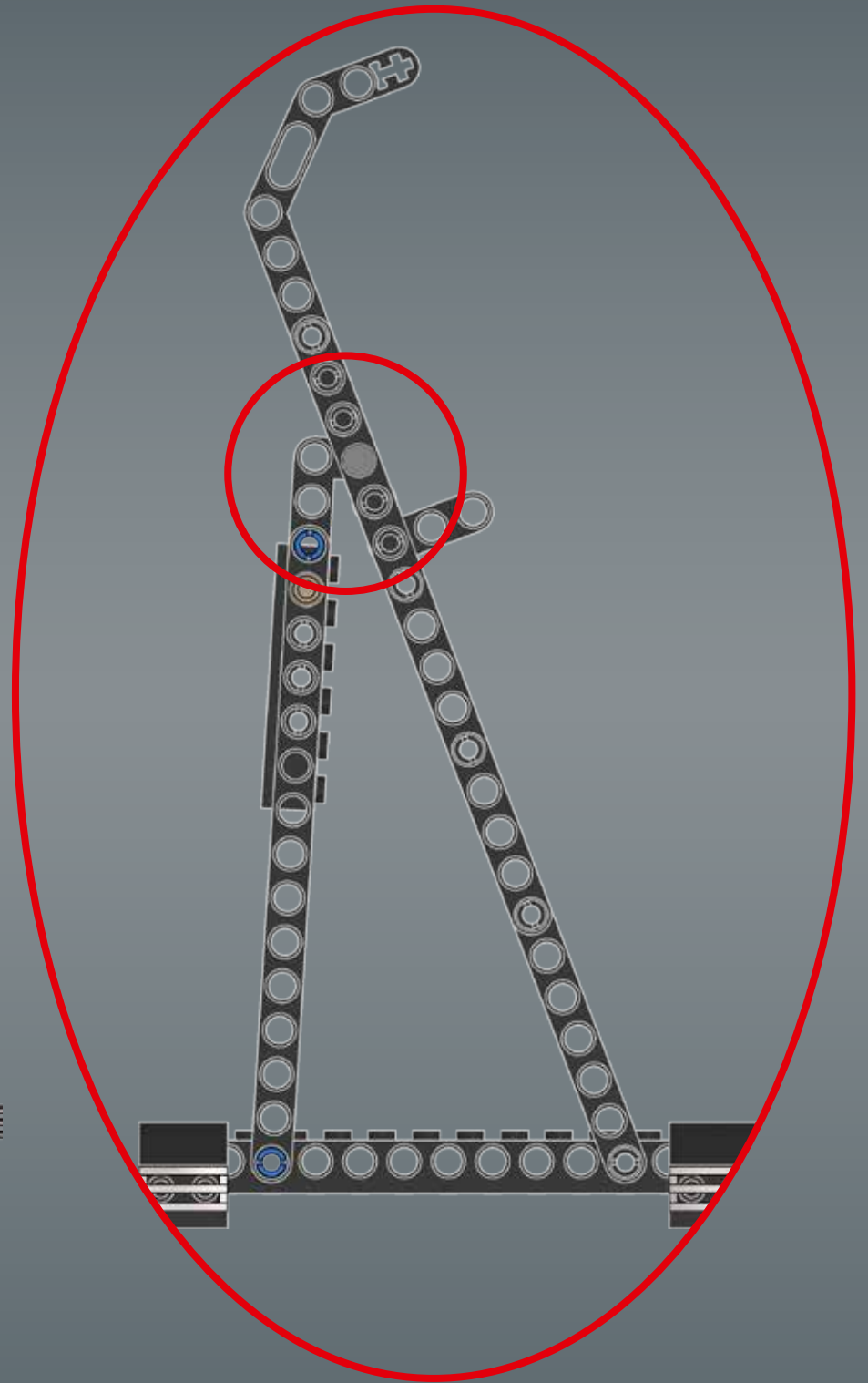
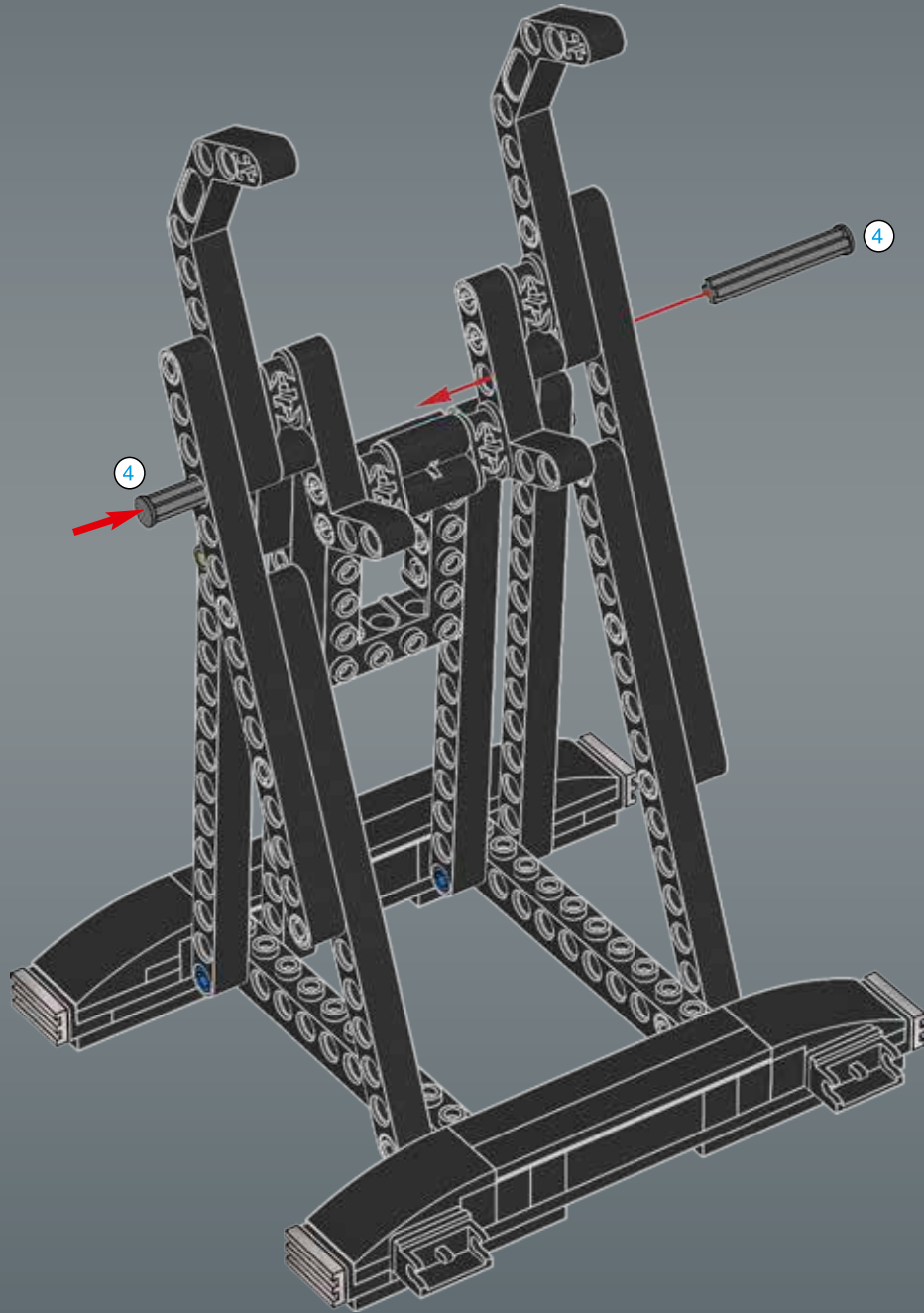


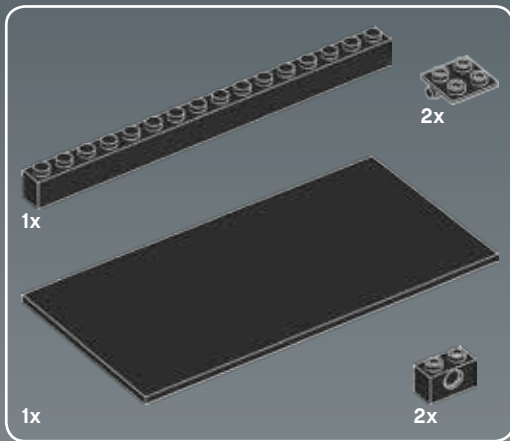
14





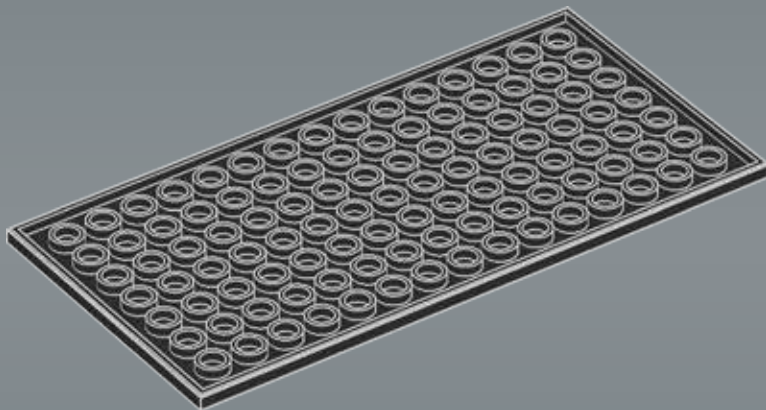
15



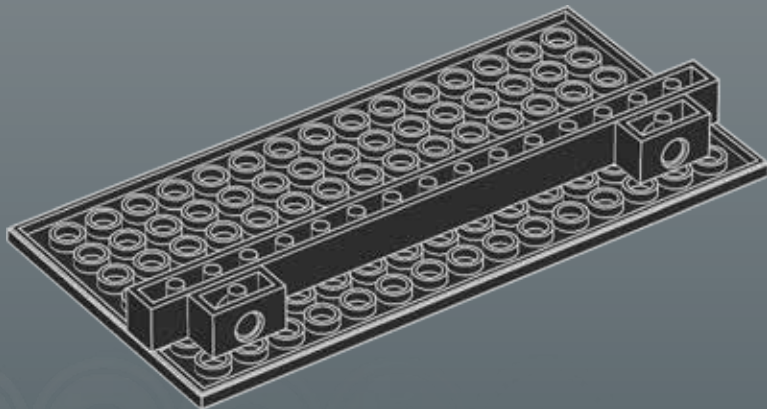


16

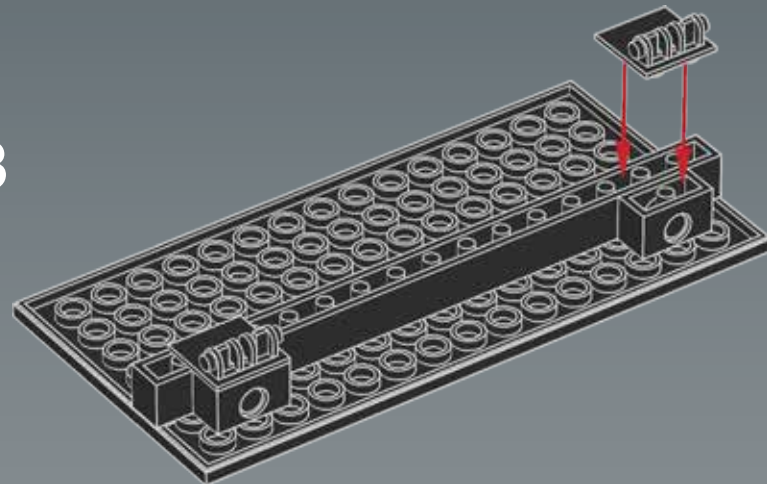
1



2

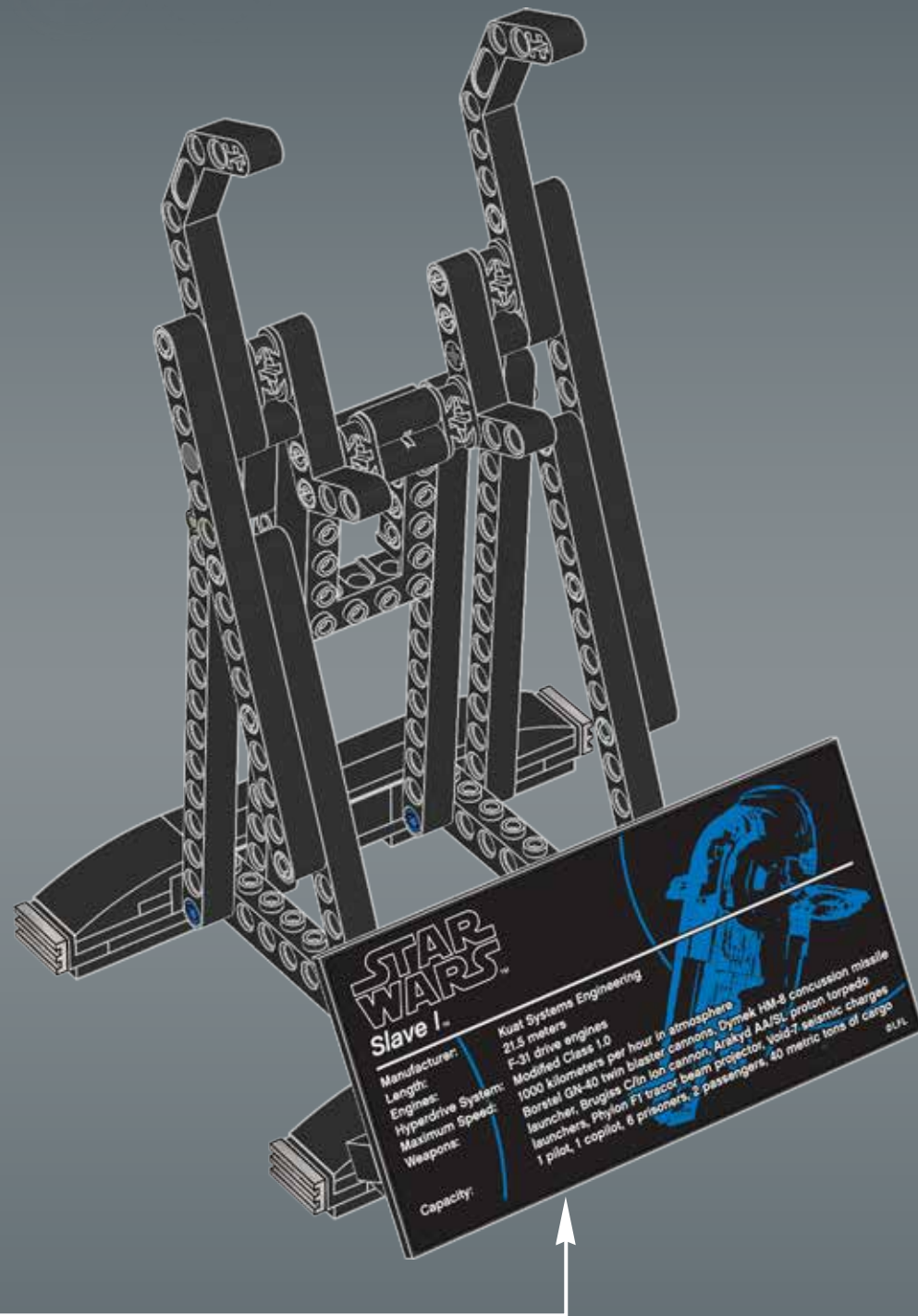


3



4

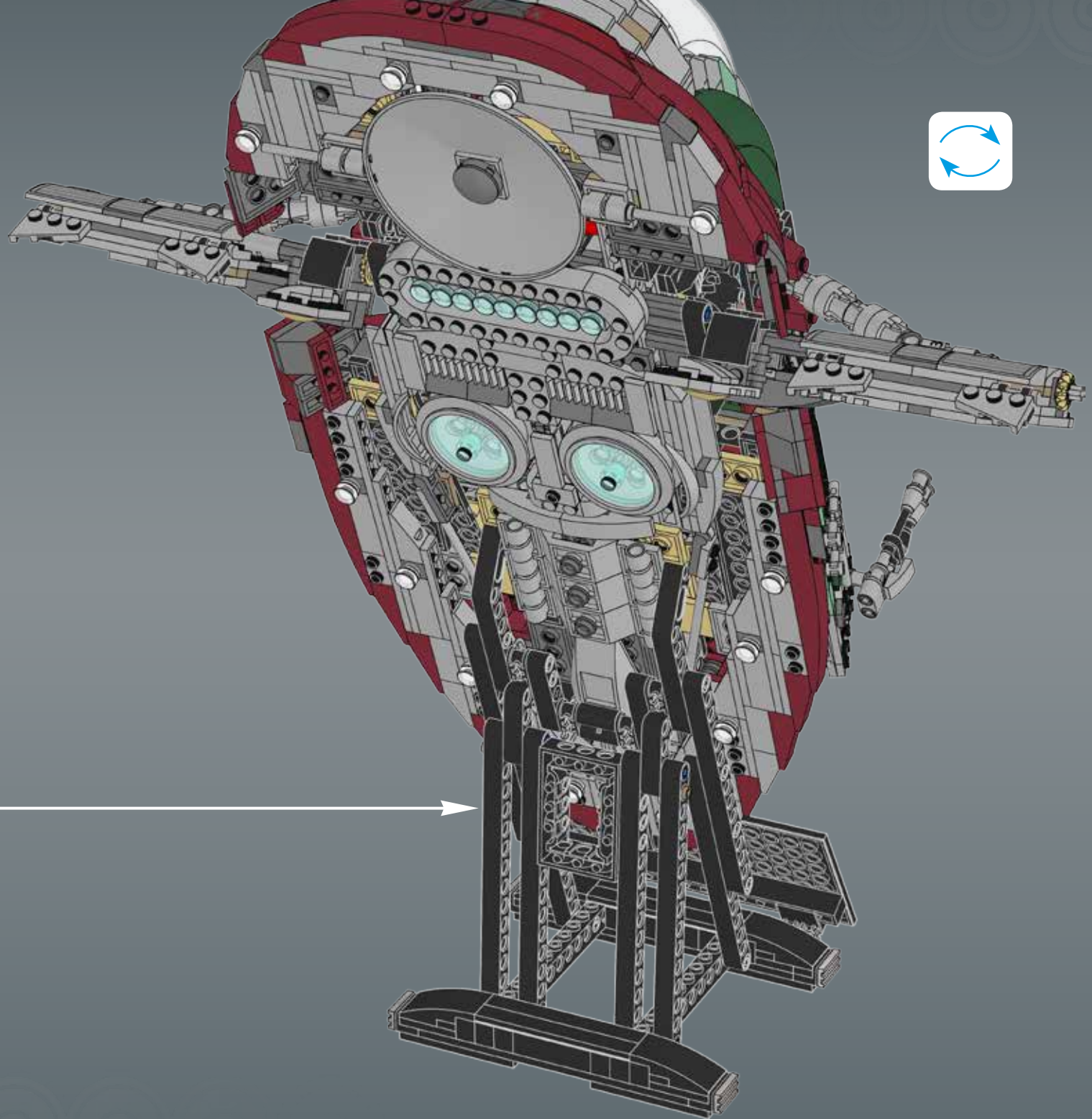


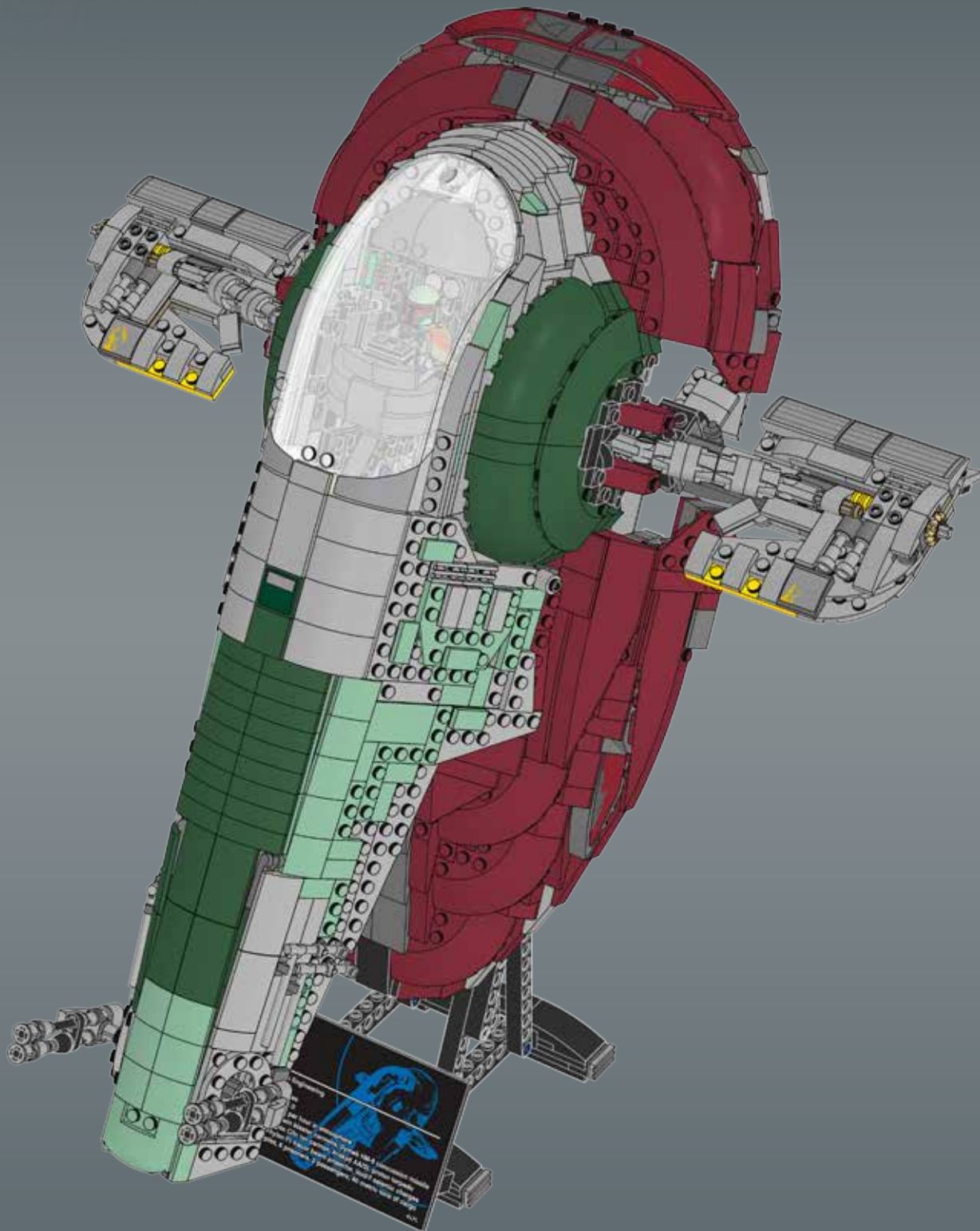


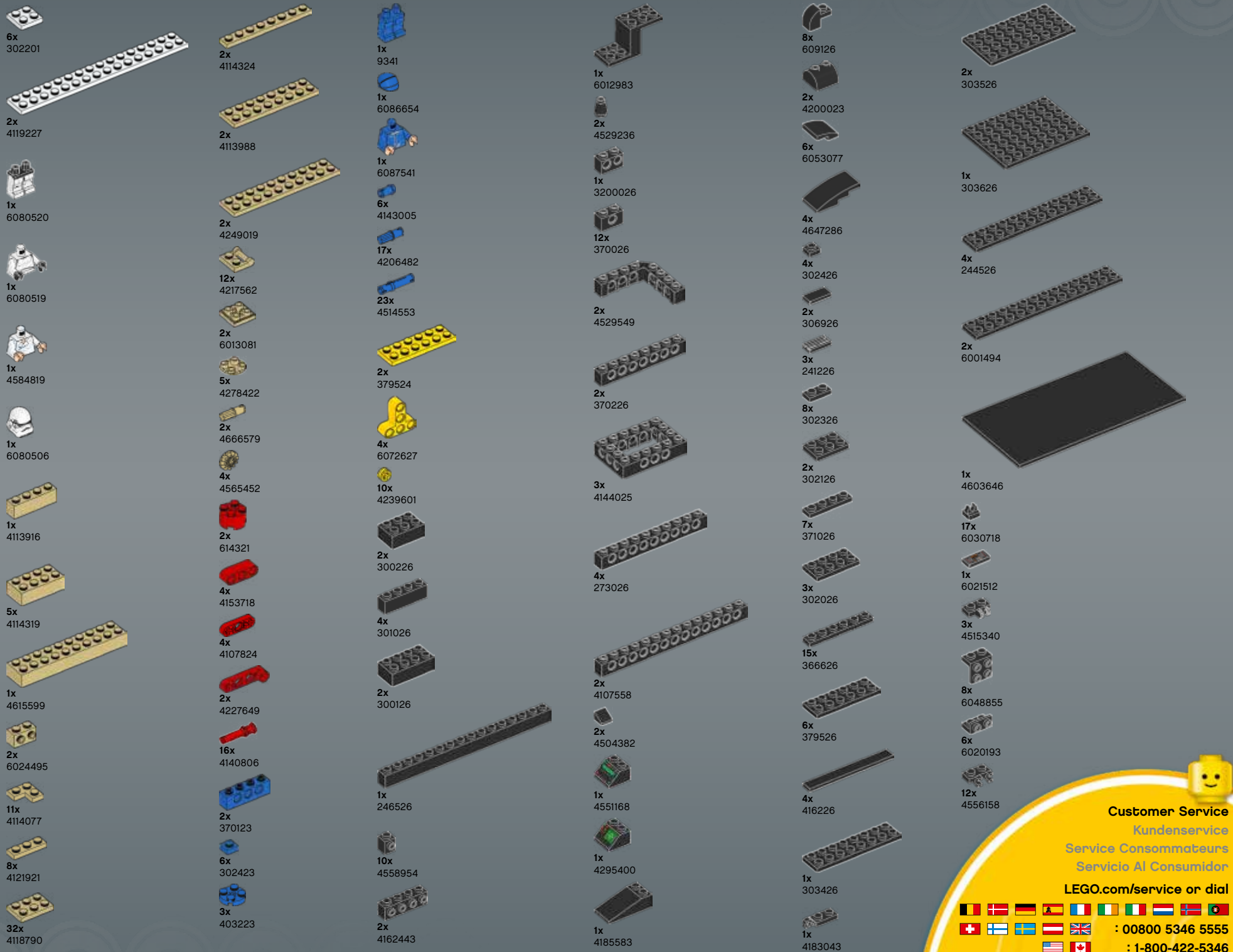
STAR WARS
Slave I.

Manufacturer: Kuat Systems Engineering
Length: 21.5 meters
Engines: F-31 drive engines
Hyperdrive System: Modified Class 1.0
Maximum Speed: 1000 kilometers per hour in atmosphere
Weapons: Borstel GX-40 twin blaster cannons, Dymak HM-8 concussion missile launchers, Brugiss C/in ion cannon, Arakyd AA/SL proton torpedo launchers, Phylon F1 tractor beam projector, Void-7 seismic charges
Capacity: 1 pilot, 1 copilot, 6 prisoners, 2 passengers, 40 metric tons of cargo









Customer Service
 Kundenservice
 Service Consommateurs
 Servicio Al Consumidor

LEGO.com/service or dial



: 00800 5346 5555

: 1-800-422-5346

- 2x 370926
- 2x 3200126
- 2x 373826
- 4x 614126
- 1x 4209003
- 1x 4209013
- 4x 4160025
- 8x 459926
- 8x 6081988
- 2x 4598897
- 1x 4609050
- 2x 4659662
- 1x 4498713
- 4x 6056234
- 4x 4541191
- 4x 4218581
- 2x 393726
- 2x 4124096
- 2x 4142822
- 2x 4120017
- 4x 4142135
- 2x 4142823
- 2x 4111998
- 8x 4542573

5

15

- 2x 4164133
- 2x 4184169
- 103x 4121715
- 2x 4526982
- 2x 4220098
- 4x 4119589
- 4x 370626
- 4x 370826
- 2x 4181135
- 3x 4243821
- 1x 6072861
- 12x 4650498
- 12x 3005740
- 9x 6022171
- 2x 4293877
- 1x 4567331
- 2x 3005744
- 1x 4153826
- 1x 4654448
- 1x 6087930
- 1x 6079534
- 1x 4530678
- 85x 4528604
- 8x 6031821
- 1x 4296785
- 4x 4245570
- 4x 6080433
- 4x 6080436

6

12

- 8x 4504375
- 8x 4255624
- 1x 6055225
- 18x 4267850
- 4x 6080443
- 6x 6037591
- 2x 4528778
- 2x 4650622
- 4x 6020923
- 2x 4543949
- 2x 4245566
- 1x 6023481
- 1x 4652205
- 2x 4598531
- 15x 6080431
- 28x 4616578
- 37x 6069257

- 2x 4633693
- 2x 6018479
- 1x 4584809
- 1x 6080429
- 11x 4539102
- 2x 4539104
- 6x 4541379
- 2x 6080435
- 6x 6080439
- 2x 6080440
- 4x 4531415
- 6x 4645101
- 12x 4541526
- 6x 4609925
- 4x 4650862
- 18x 6023330
- 4x 6052995
- 2x 6030360
- 2x 6080444
- 4x 6042953
- 2x 6037670
- 1x 6035700
- 1x 6035709
- 2x 6005098

- 2x 6005069
- 8x 4539114
- 2x 4539090
- 4x 4539097
- 9x 4585479
- 2x 4585751
- 6x 4539105
- 6x 4539076
- 8x 4583299
- 4x 4539061
- 8x 4539071
- 2x 6008593
- 2x 6008595
- 8x 4539064
- 2x 4613267

- 2x 4532589
- 1x 4211825
- 2x 4219256
- 2x 4211450
- 4x 4211862
- 4x 4495930
- 2x 6055628
- 2x 4551421
- 2x 4211483
- 6x 4211622
- 4x 4211552
- 8x 4278756
- 4x 4526985
- 3x 4211815
- 2x 4211888
- 2x 4210963
- 2x 4211639
- 3x 4211805
- 6x 4211060
- 4x 4211104
- 4x 4211105
- 2x 4211103
- 12x 4211085
- 10x 4213574
- 14x 4210725
- 2x 6018581
- 6x 4210639
- 6x 4210935
- 4x 4210917
- 5
- 7
- 7
- 3

- 6x 4567887
- 4x 6069164
- 2x 4211000
- 2x 4210702
- 1x 4211106
- 5x 4210637
- 4x 4210797
- 4x 6029948
- 5x 6071261
- 4x 4618881
- 4x 4210779
- 4x 6037666
- 2x 6063685
- 2x 6063681
- 2x 4210719

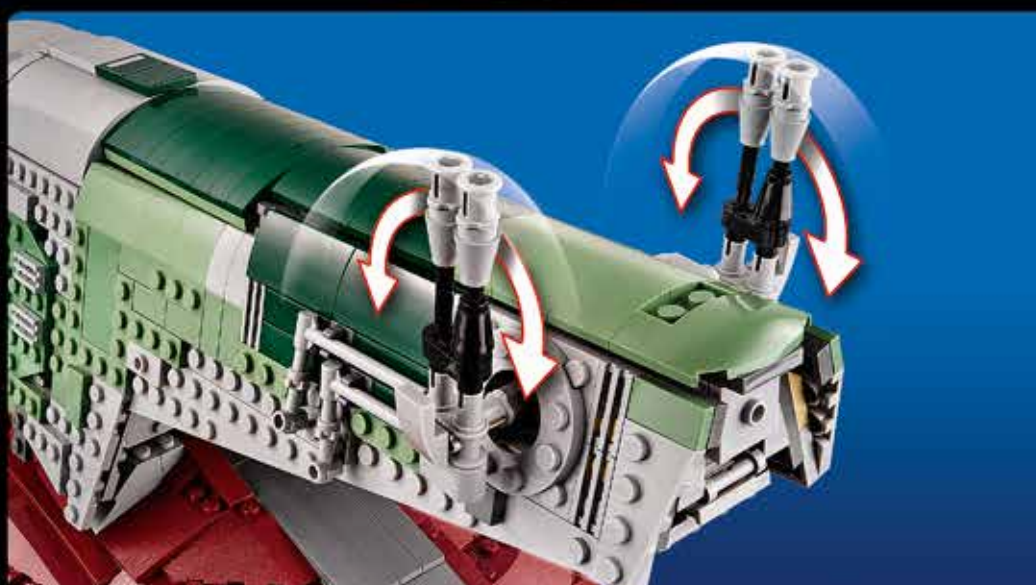
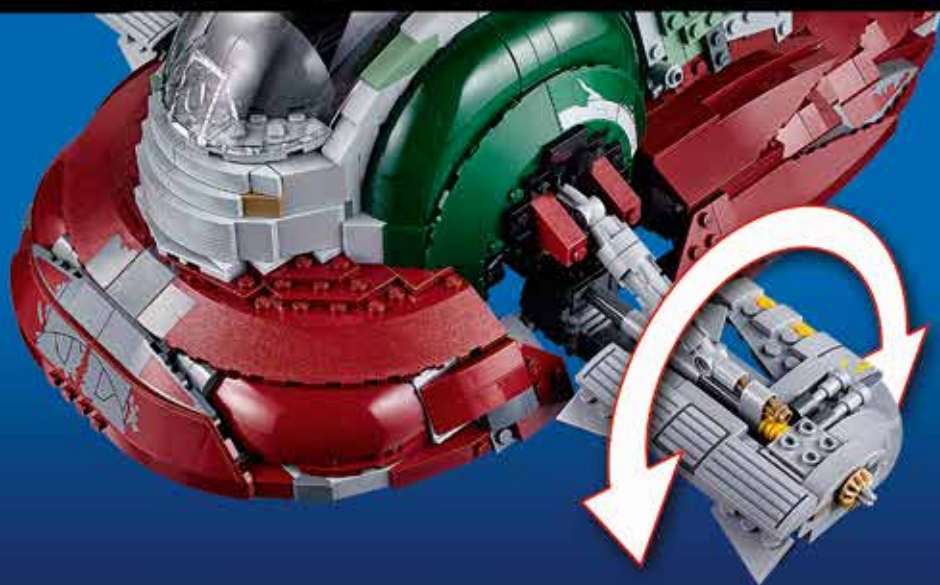
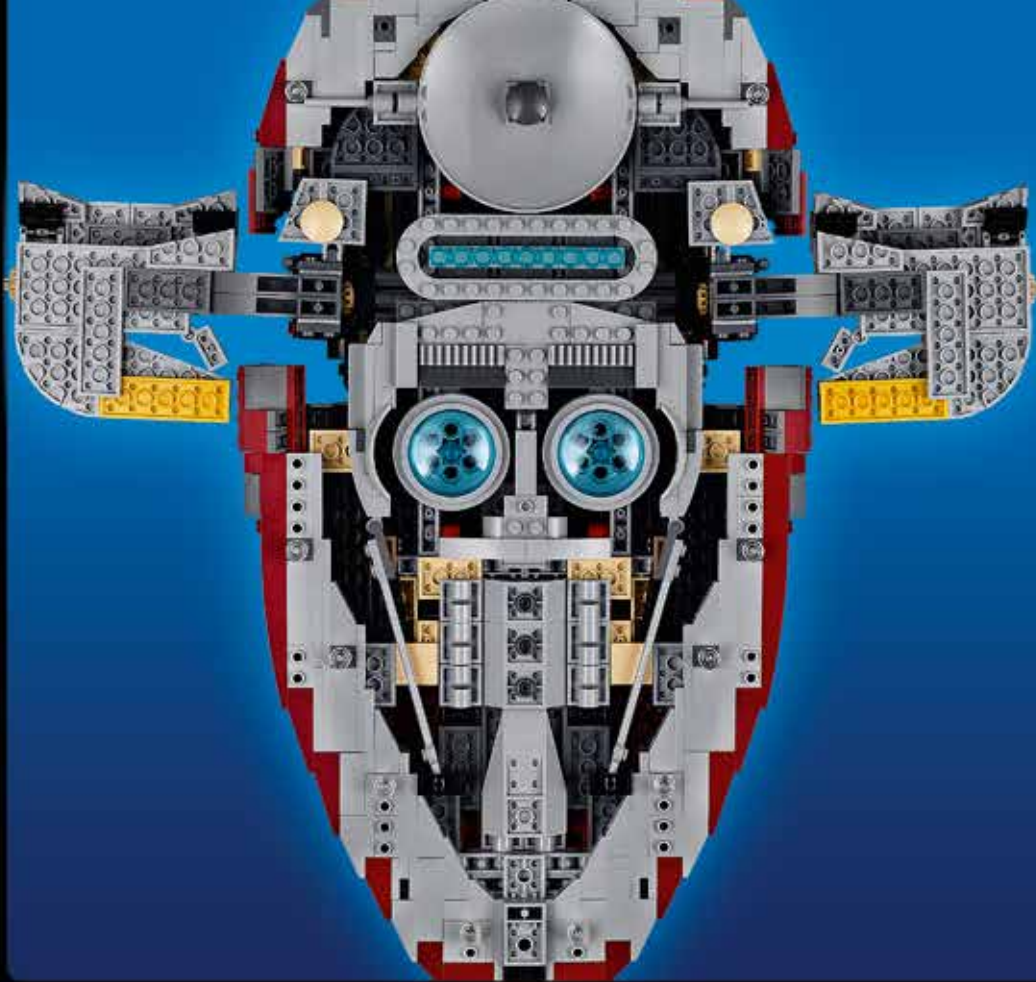
- 2x 4210848
- 1x 4211063
- 6x 4211119
- 10x 4210631
- 17x 4211094
- 1x 4211055
- 21x 4211001
- 1x 4598769
- 2x 6039176
- 10x 4211065
- 9x 4211056
- 4x 4243831
- 1x 4509911
- 4x 4539429
- 1x 4211002

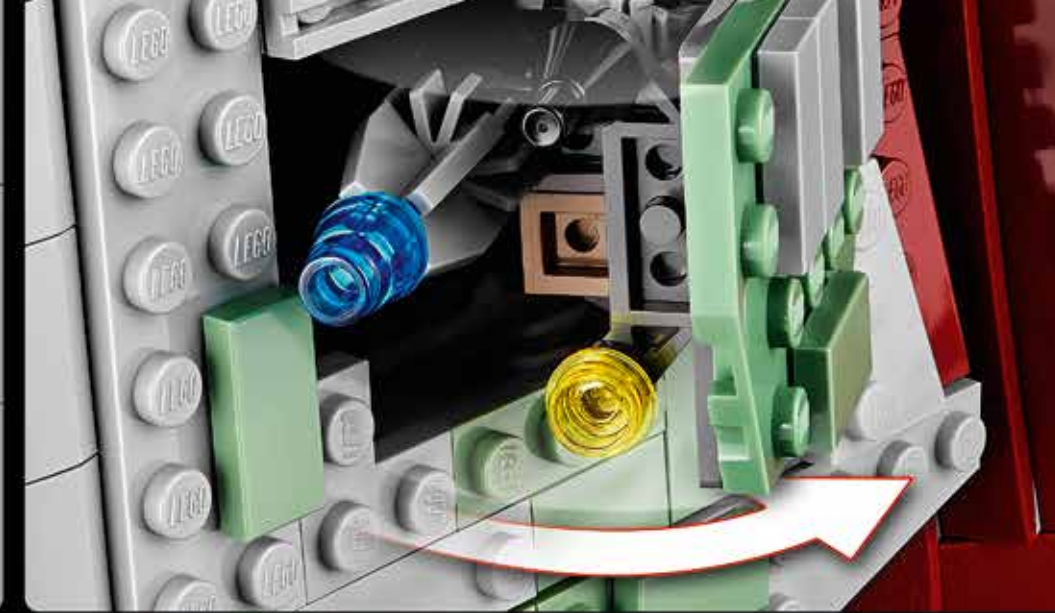
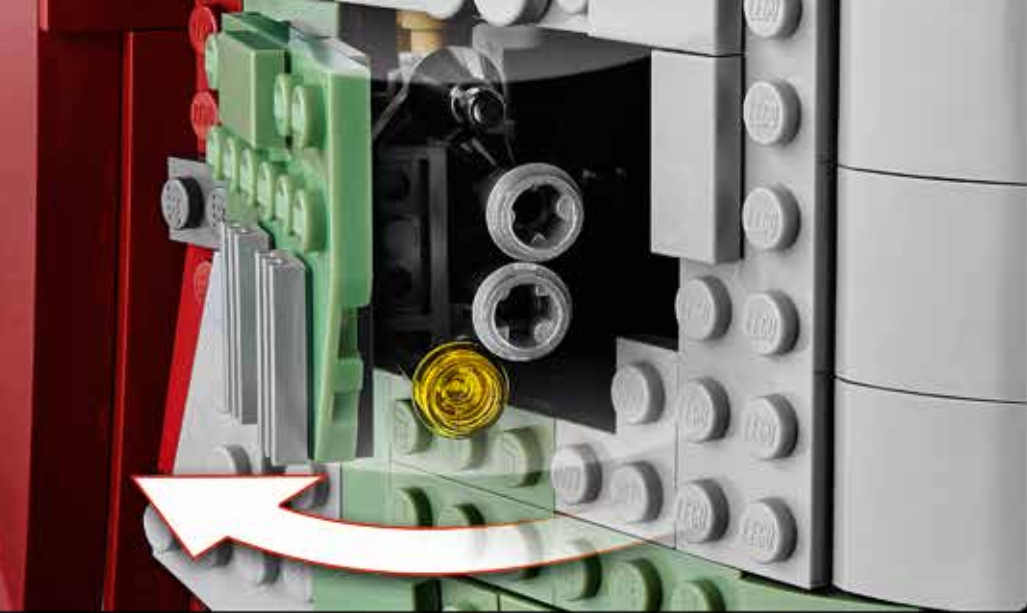
- 4x 4211115
- 2x 4257526
- 1x 4211061
- 2x 4211122
- 7x 4211067
- 1x 4210802
- 1x 4210706
- 2x 6000970
- 4x 6030710
- 1x 4210892
- 2x 4210726

- 6x 6019987
- 3x 4210660
- 2x 4210883
- 10x 6047417
- 11x 4521187
- 2x 6086709
- 4x 4648067
- 10x 4227398
- 7x 4210633
- 1x 4211042
- 1x 4278274
- 2x 4528323
- 1x 4210984
- 4x 4222042
- 4x 4210667
- 2x 4495931

- 4x 4645730
- 2x 6006141
- 2x 4210857
- 12x 4516546
- 4x 6015356
- 3x 6083620
- 2x 4508553
- 2x 6012451
- 1x 6004908
- 1x 6021888
- 1x 6087536
- 1x 6087598
- 1x 4634079
- 4
- 5.5
- 7

- 4x 4619636
- 2x 4655241
- 18x 4633691
- 1x 6034982
- 2x 6051385
- 1x 604908
- 1x 6021888
- 1x 6087536
- 1x 6087598
- 1x 4634079
- 9



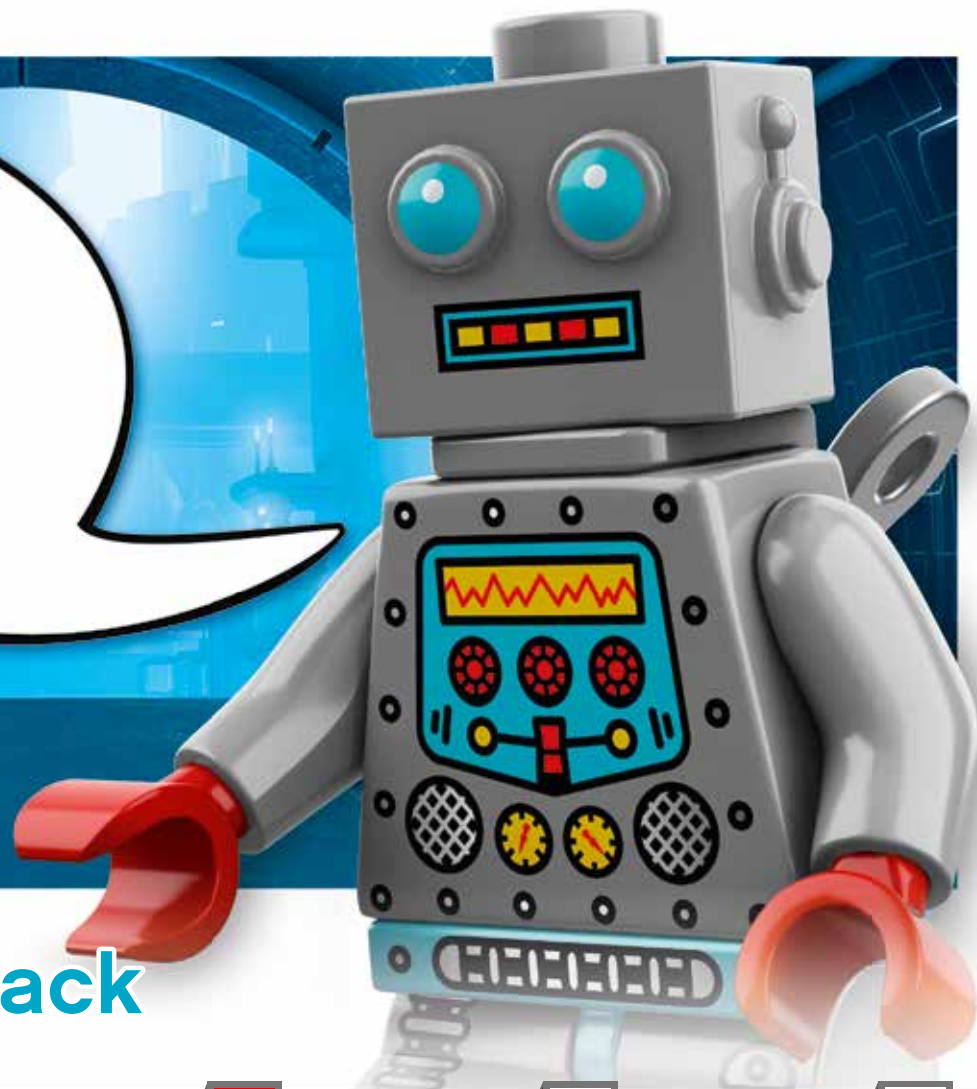




75059 Sandcrawler™

WIN

GO TO WWW.LEGO.COM/PRODUCTFEEDBACK AND
GIVE US YOUR SHORT **FEEDBACK** ABOUT THIS
LEGO® SET FOR A CHANCE TO WIN
A COOL LEGO PRIZE.



LEGO.com/productfeedback

GEWINNE



Erzähle uns auf
www.LEGO.com/productfeedback

etwas über die Erfahrungen, die
du mit diesem LEGO® Set gemacht
hast, und sichere dir die Chance
auf einen coolen LEGO Preis!

GAGNE



Rends-toi sur
www.LEGO.com/productfeedback

et donne-nous quelques com-
mentaires sur ce produit LEGO®
pour avoir une chance de gagner
un prix LEGO !

GANAN



Visita
www.LEGO.com/productfeedback

y envíanos tu opinión acerca de
este set LEGO®. ¡Participarás en el
sorteo de un premio LEGO!

获取奖品



登录
www.LEGO.com/productfeedback

给出关于此乐高®套装的简短反馈，
就有机会获得炫酷乐高奖品

경품 당첨 기회



www.LEGO.com/productfeedback

페이지로 이동하여 이 레고® 세트에
대한 간략한 피드백을 보내 주시고
멋진 레고 경품을 탈 수 있는 기회도
잡으십시오

ЗАПОЛНИ АНКЕТУ И ПОЛУЧИ ПРИЗ



Перейди по ссылке
www.LEGO.com/productfeedback

ответь всего на несколько во-
просов об этом наборе LEGO®,
и у тебя появится шанс выиграть
замечательный приз от компании
LEGO.