



Disney • PIXAR

# WALL • E

21303



- Booklet available in English on
- Heft in deutscher Sprache erhältlich auf
- Livret disponible en français sur
- Folleto disponible en español en
- Folheto disponível em português em
- A füzet magyarul ezen a honlapon olvasható
- Libretto disponibile in Italiano su
- 如需中文版手册，请访问 [www.LEGO.com/ideas](http://www.LEGO.com/ideas)

# WALL•E

WALL•E (short for Waste Allocation Load Lifter Earth-class), is the last robot left on Earth. He spends his days tidying up the planet, one pile of garbage at a time. During the 700 years he has existed, WALL•E has developed a personality, and he is also more than a little lonely. Then he meets EVE, a sleek search robot sent to Earth on a scanning mission. WALL•E chases EVE across the galaxy and inadvertently embarks on a space journey that ultimately decides the fate of humankind.



# THE DESIGNER

**Angus MacLane was the Directing Animator for the film WALL•E at Pixar Animation Studios. He was closely involved with the team that designed and built the title robot.**

“I started building the LEGO® version of WALL•E around the same time he was being built in the computer at Pixar, in the late summer of 2005. The color scheme of the character wasn’t settled so I started building with all light gray. As we refined the robot’s design for the film, I would update my LEGO model. Once we got busier on the film, I had less time to build, so I put him on the shelf for a while.

Once we finished animation production in 2008, I rebuilt him with the proper colors. The original treads I used were too small and

pretty flimsy, but a LEGO bulldozer had been launched by then, which gave me my solution.

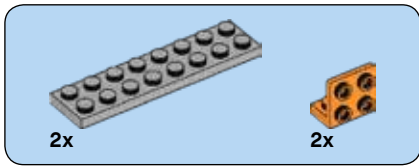
After I submitted the design to LEGO Ideas, I did a few more revisions to the model to make it more accurate to the character design. Having stared at this robot for so many years, I was extremely familiar with the proportions and functionality of WALL•E. Great input from LEGO Designer Steen Sig Andersen and the team at The LEGO Group, and from Andrew Stanton (the director of WALL•E), helped push the LEGO WALL•E to its final design.

It took a lot of iterations over almost a decade, but I’m really happy with how the final LEGO WALL•E turned out.”

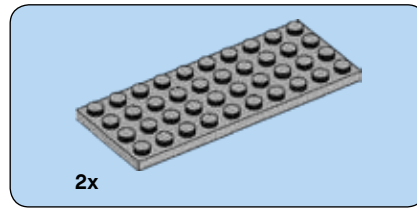
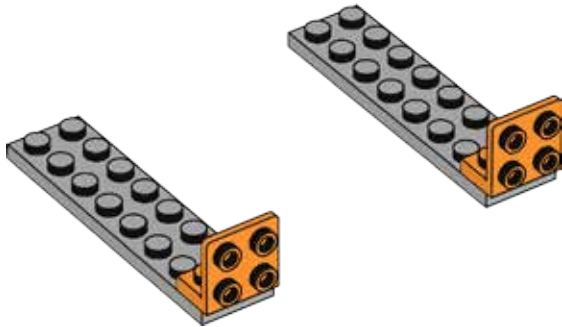




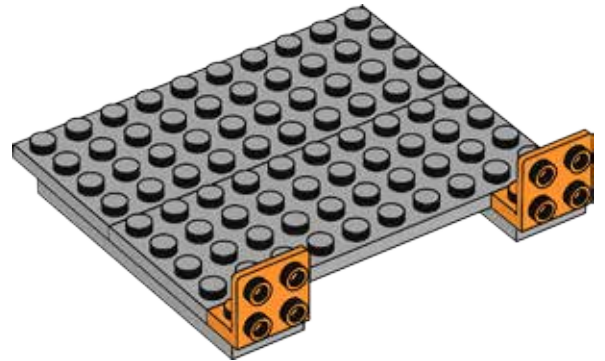
[LEGO.com/brickseparator](https://LEGO.com/brickseparator)



1



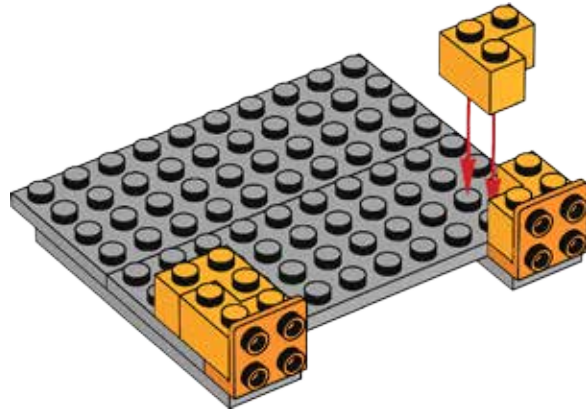
2

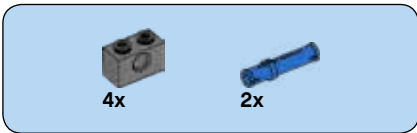




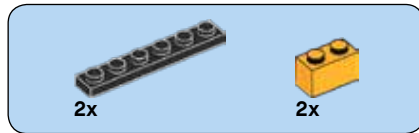
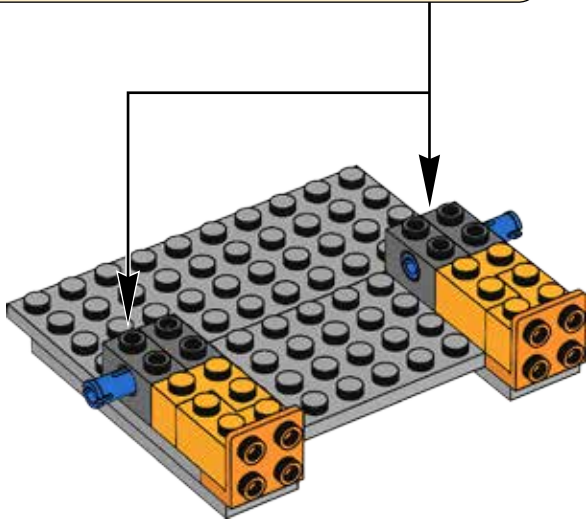
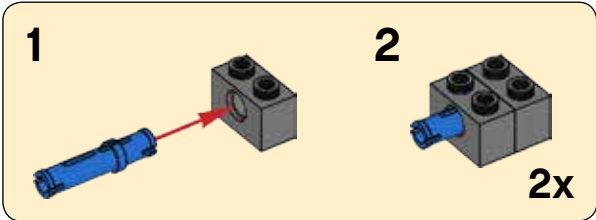
4x

3

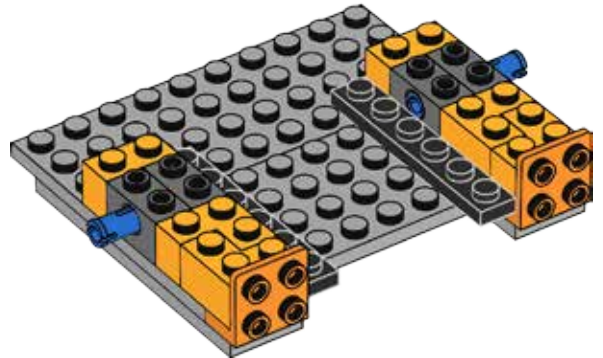


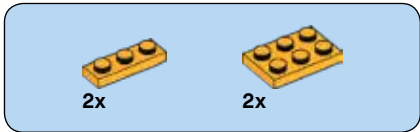


4

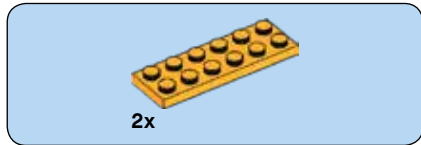
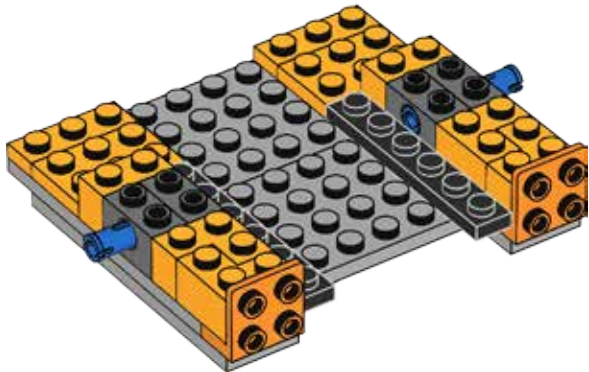


5

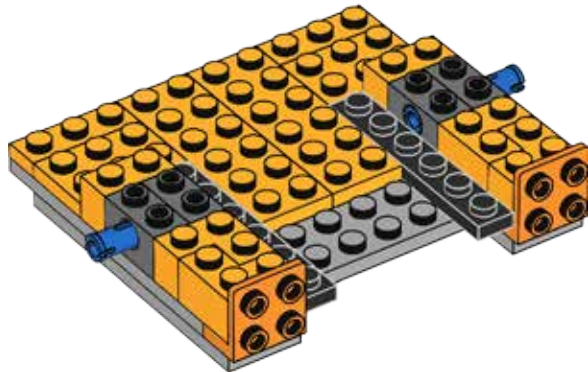




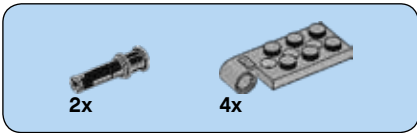
6



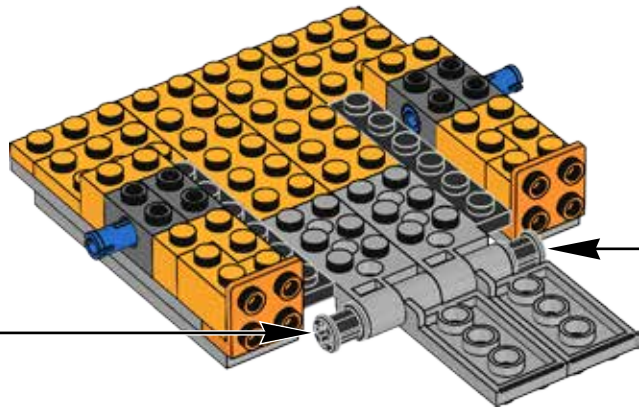
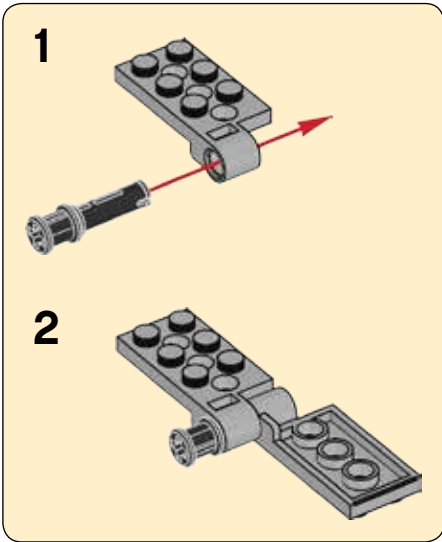
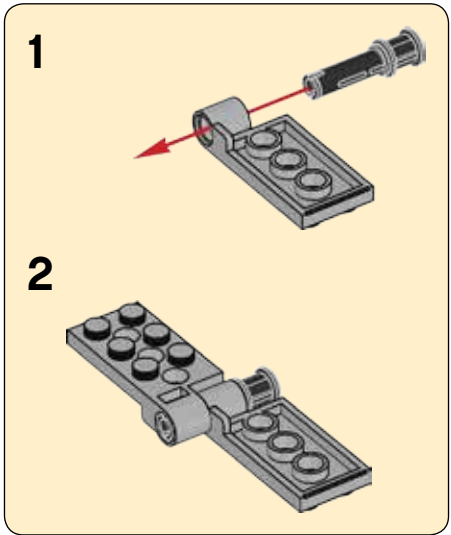
7

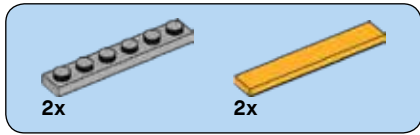




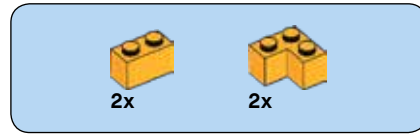
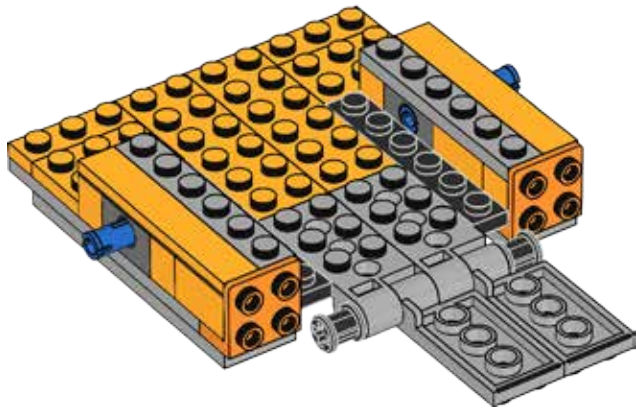


# 8

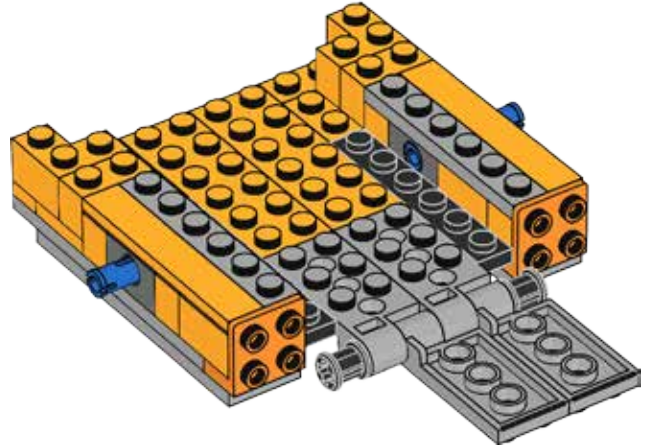




# 9

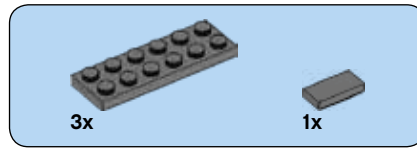
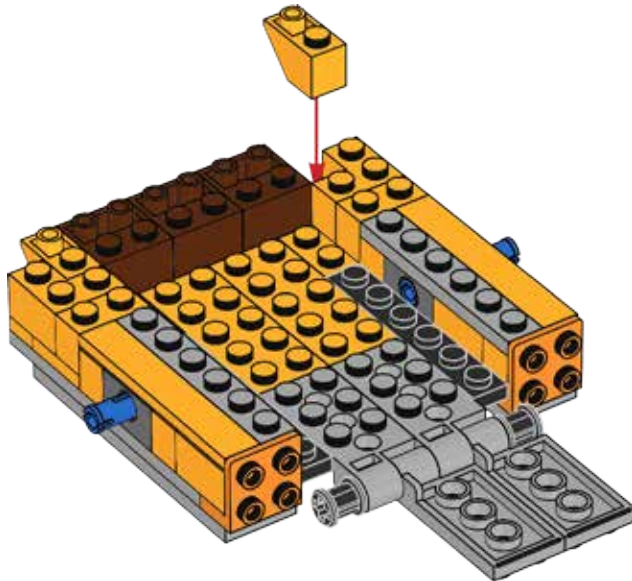


# 10

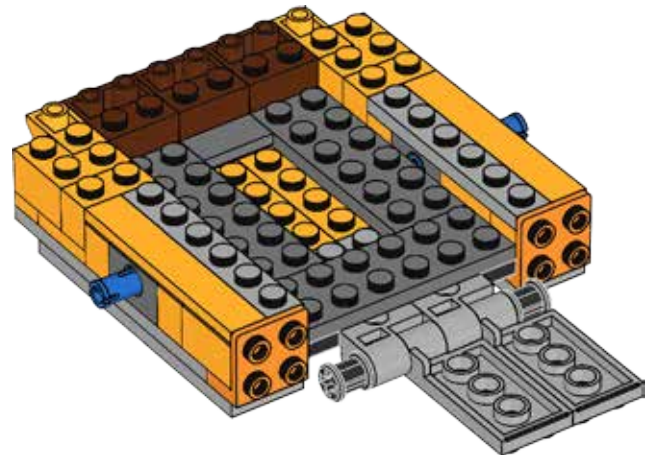


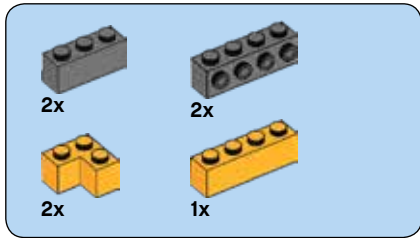


# 11

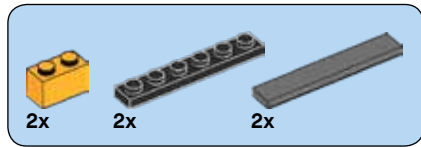
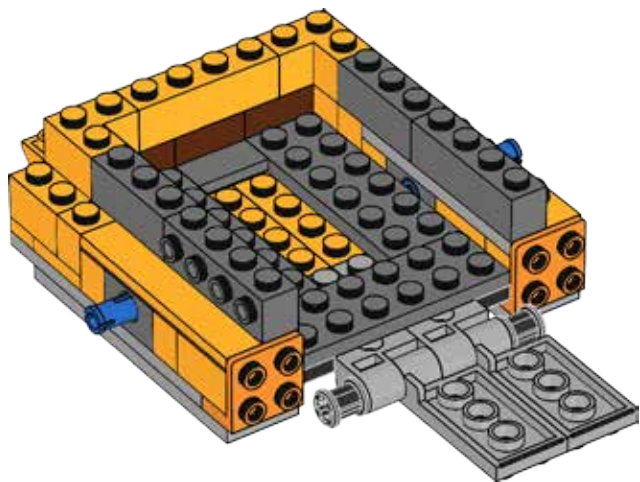


# 12

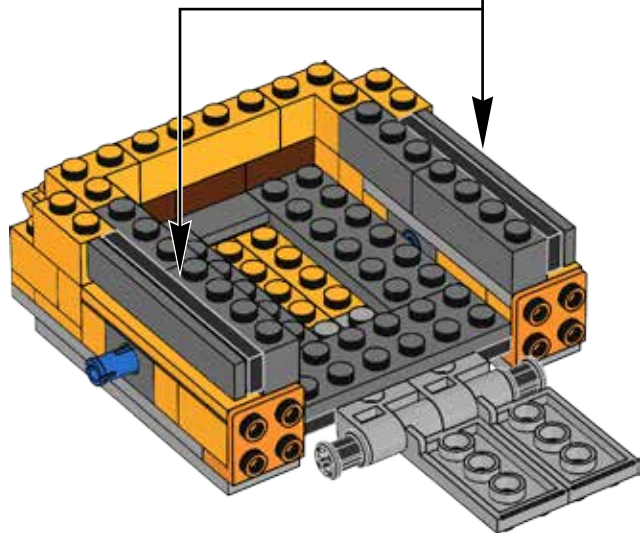
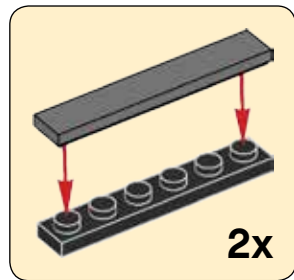


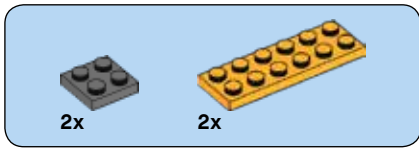


# 13

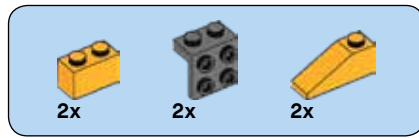
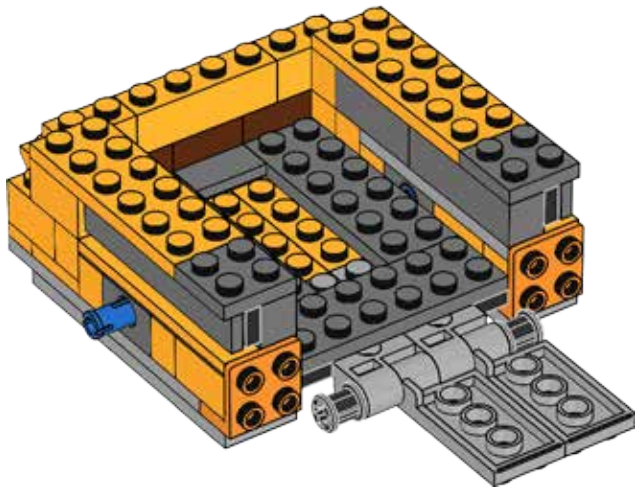


# 14

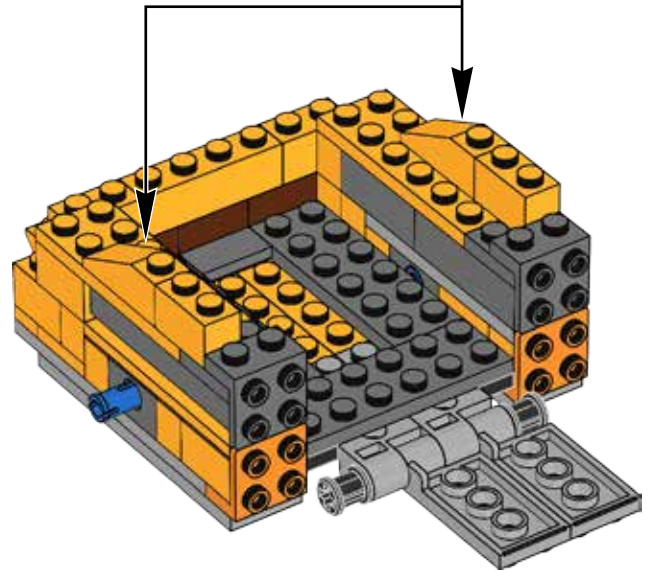
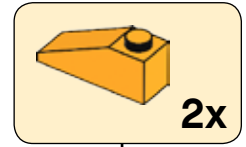


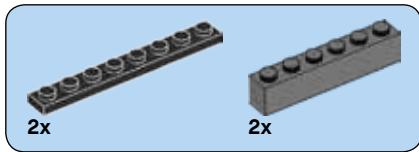


# 15

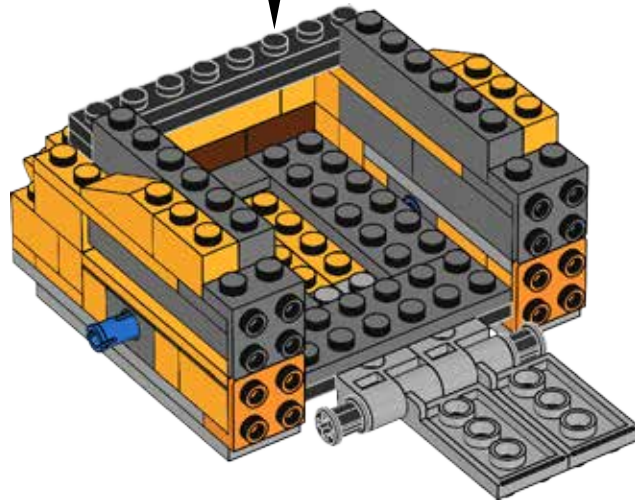
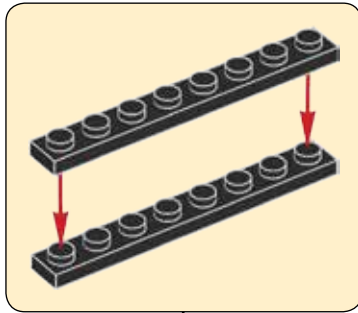


# 16





17

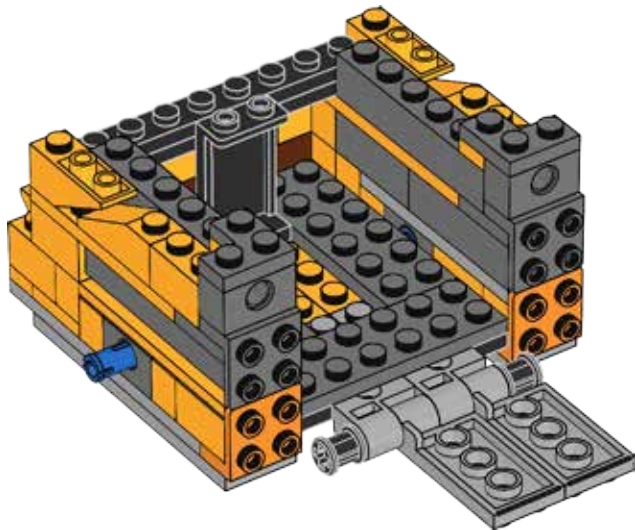






2x

# 20

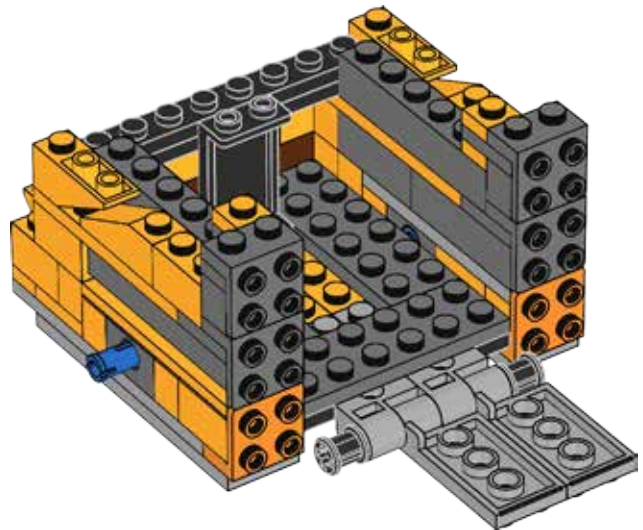


2x

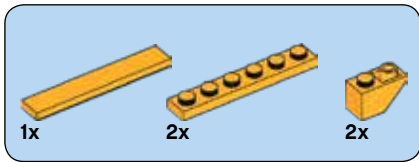


2x

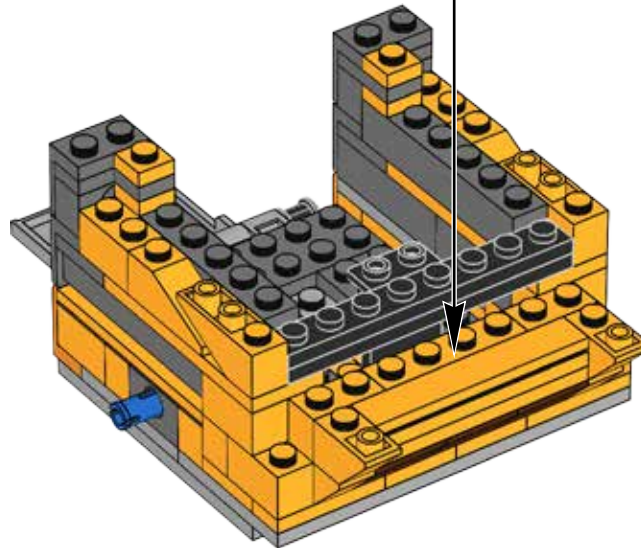
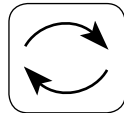
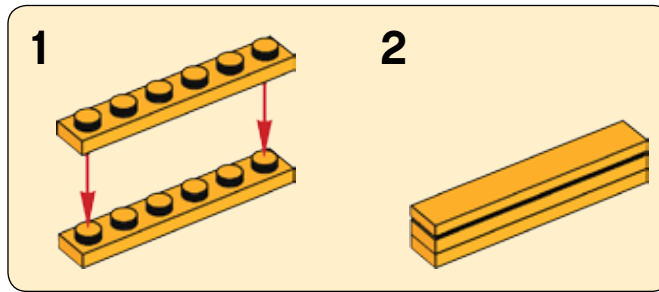
# 21







# 22





2x

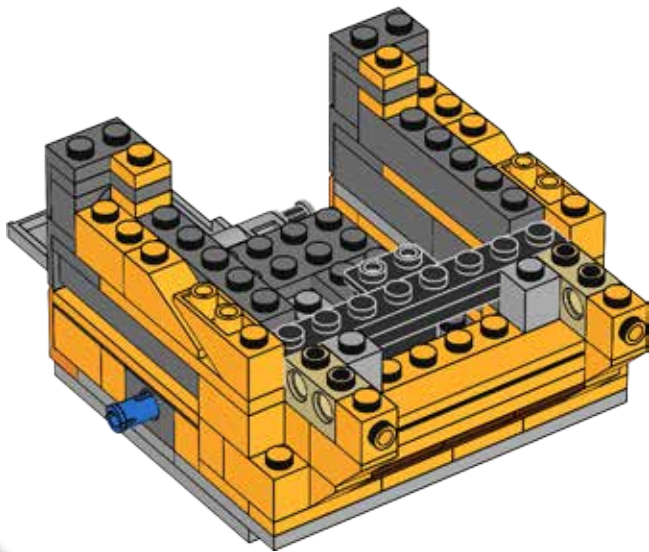


2x



2x

# 23



4x



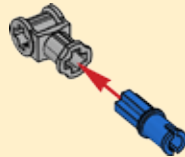
2x



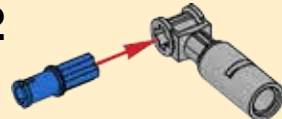
2x

# 24

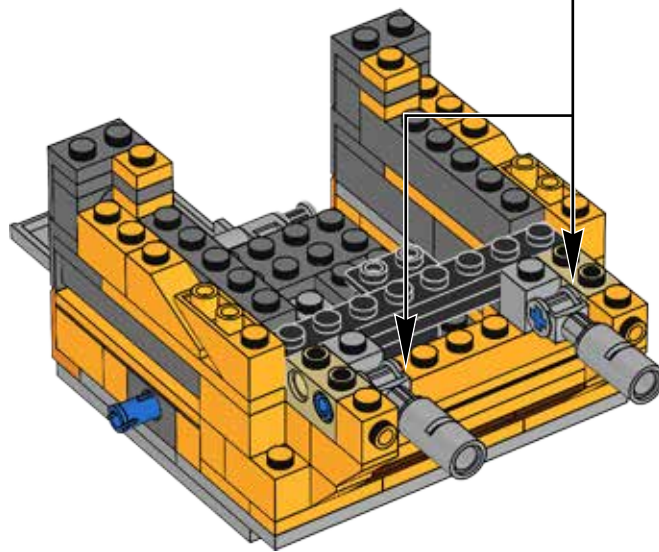
1

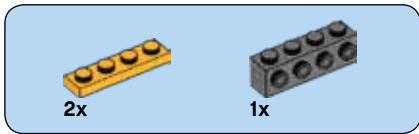


2

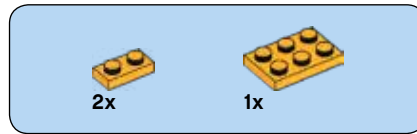
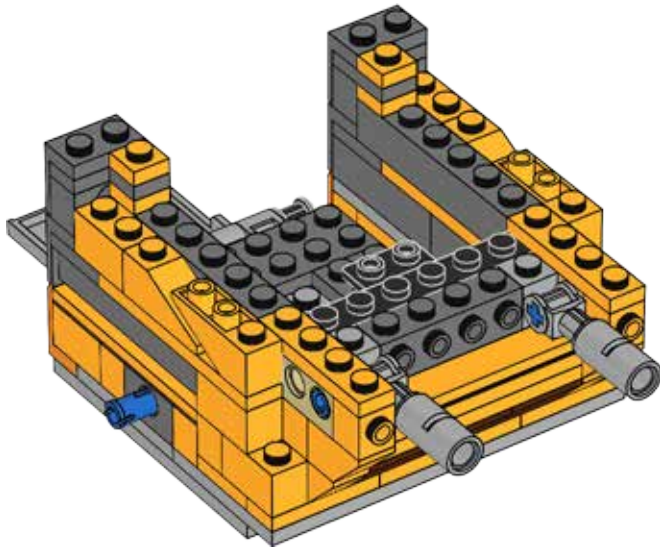


2x

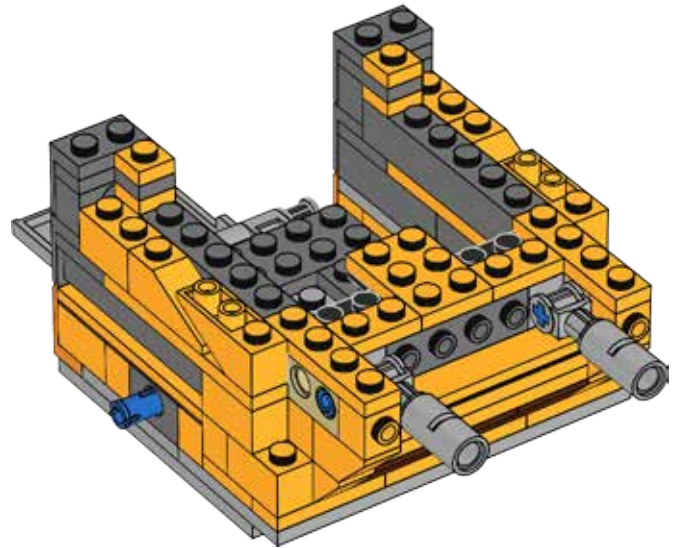




# 25

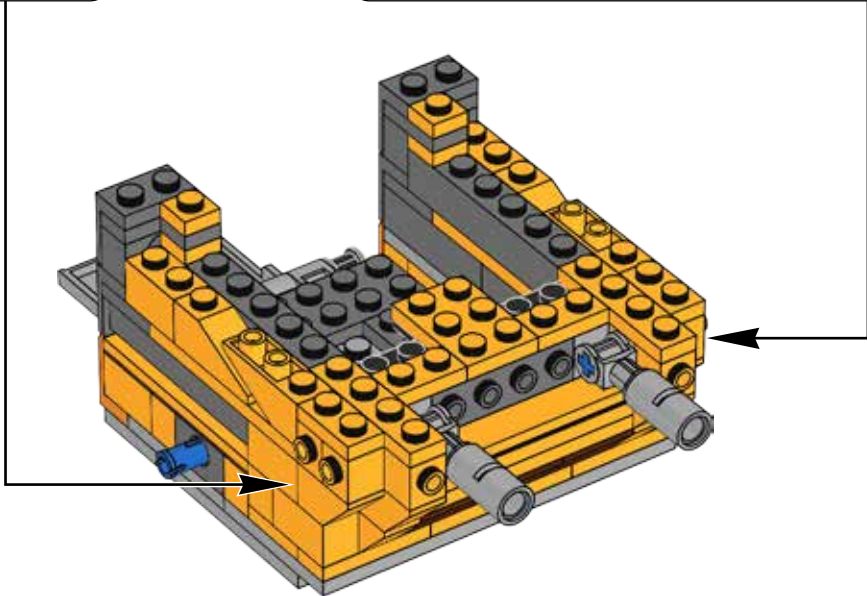
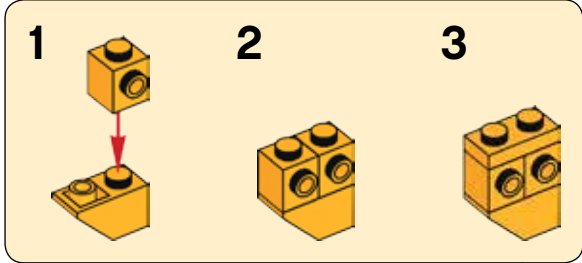
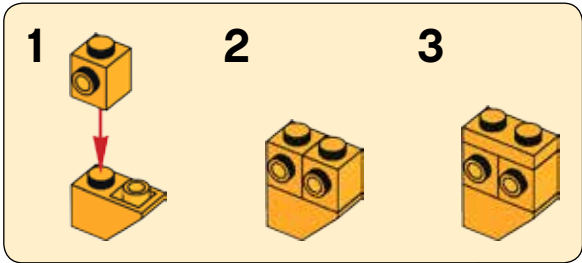


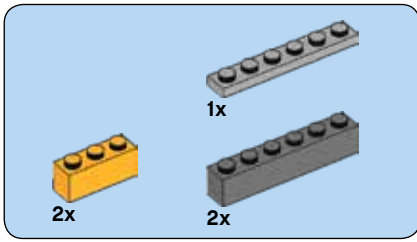
# 26



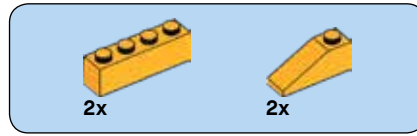
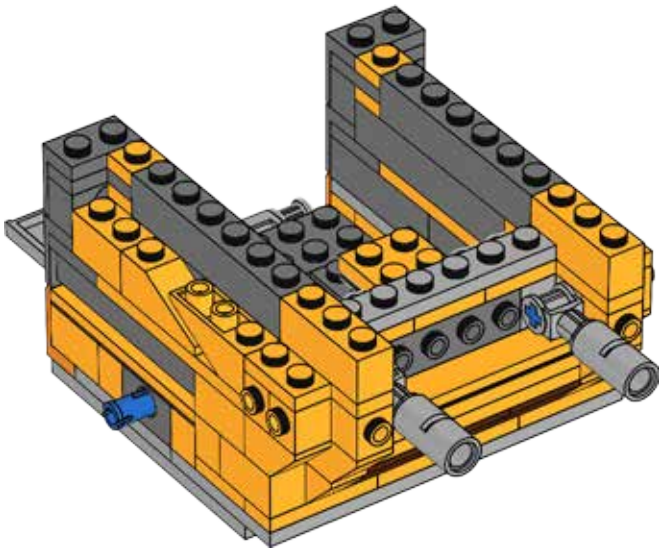


# 27

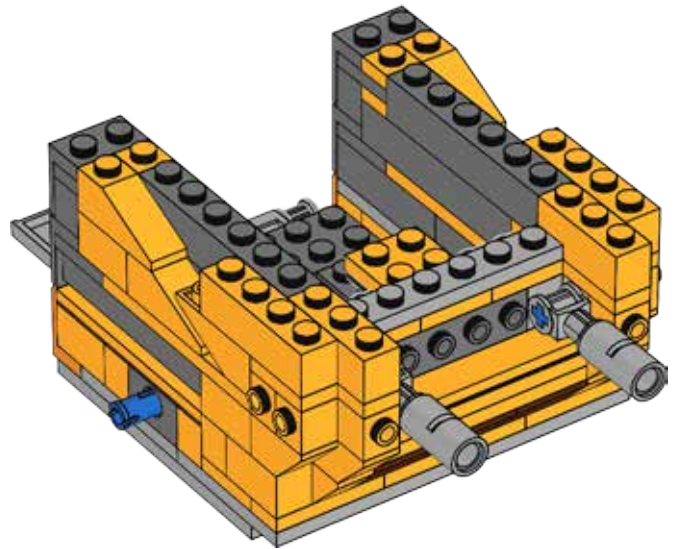




# 28



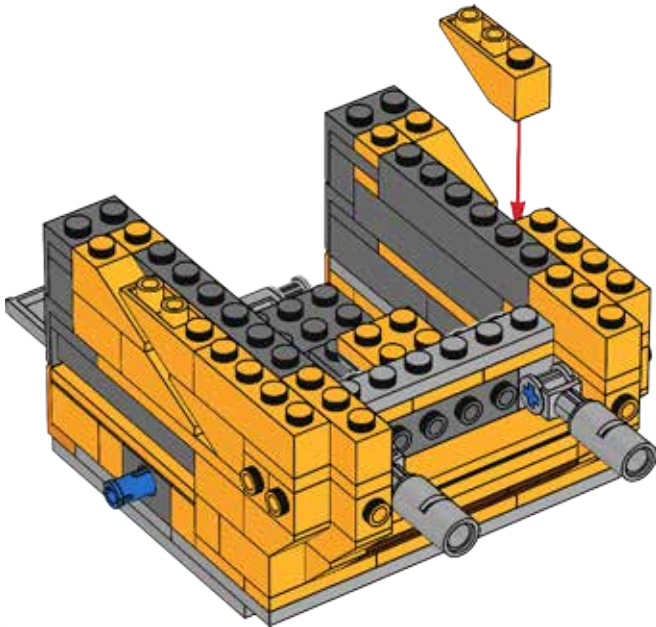
# 29





2x

# 30



1x

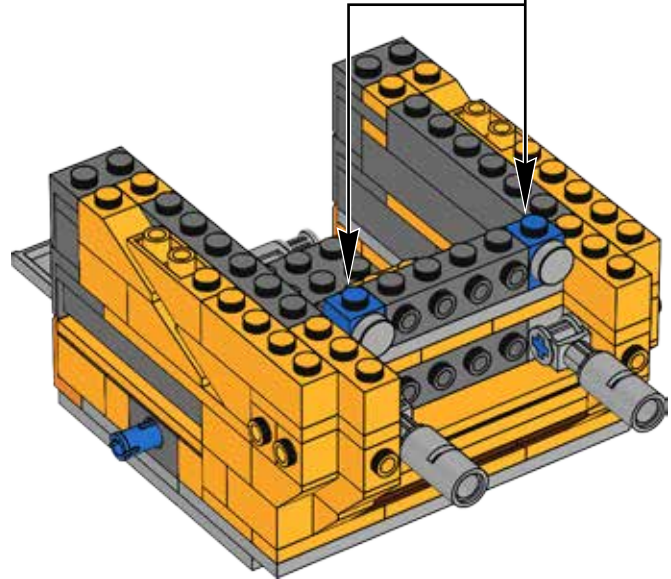
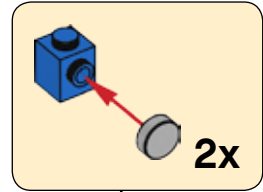


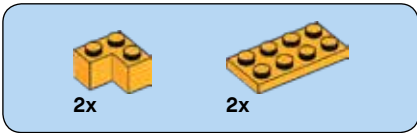
2x



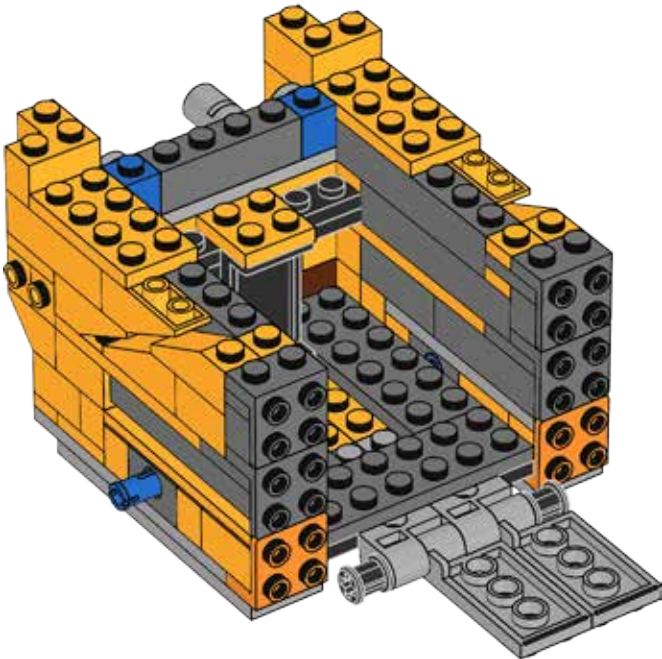
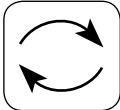
2x

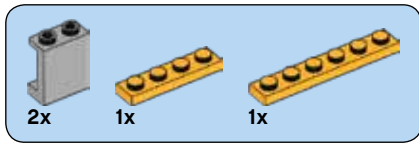
# 31



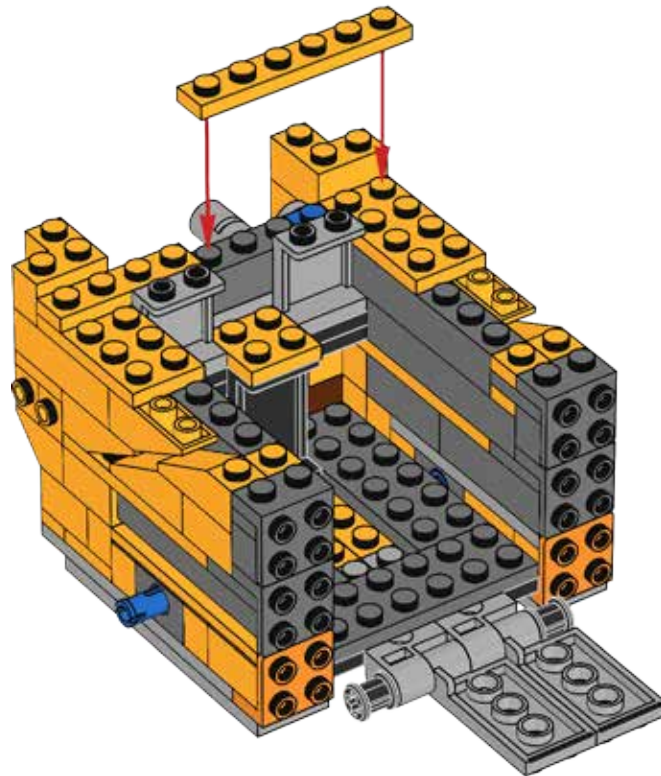


# 32

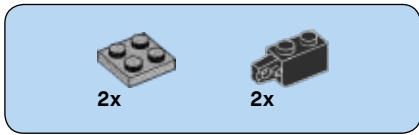




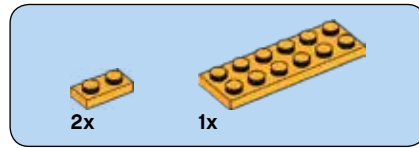
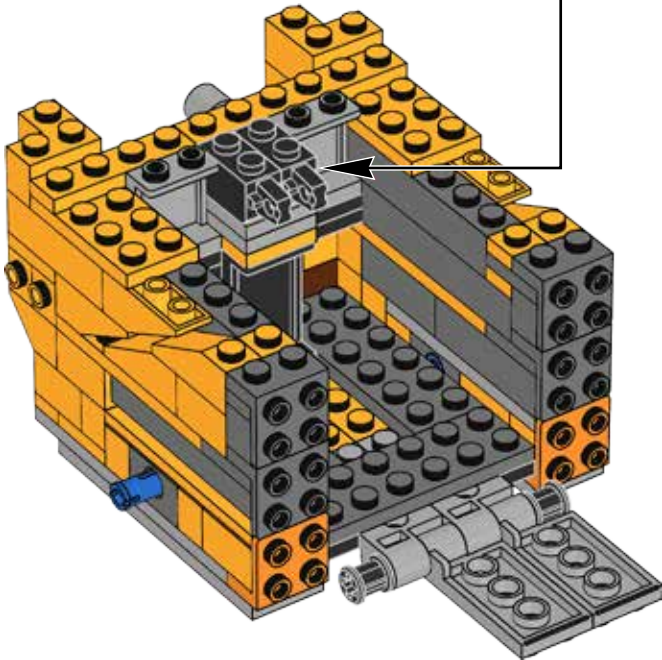
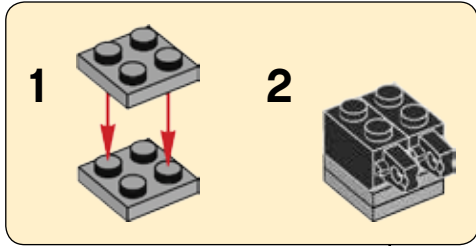
# 33



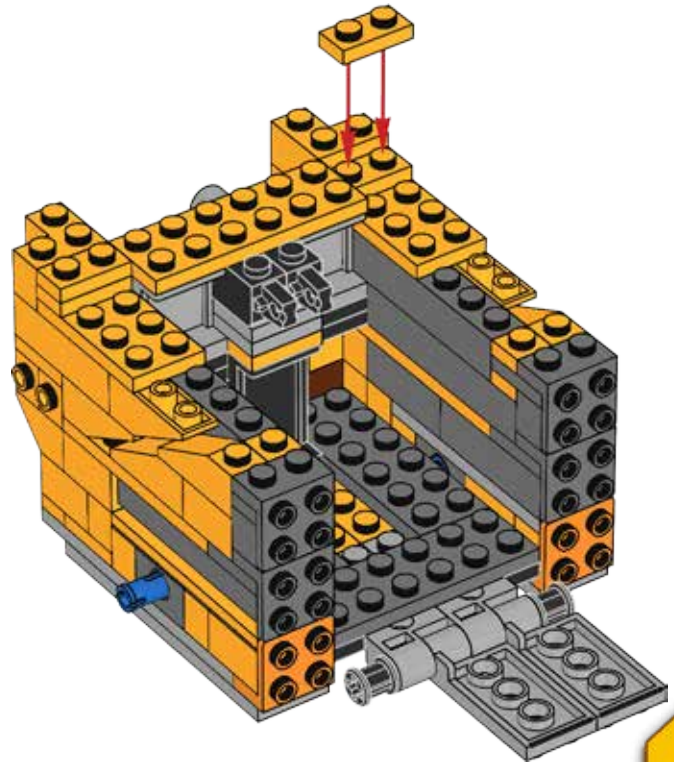




# 34



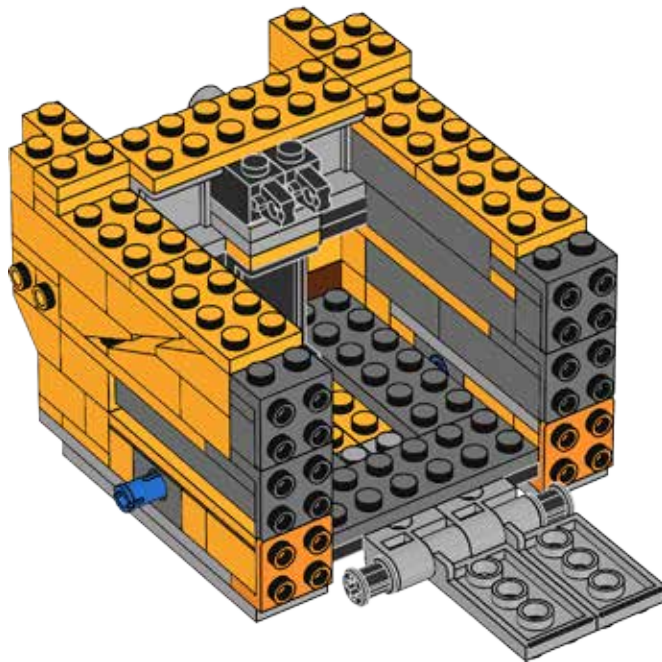
# 35

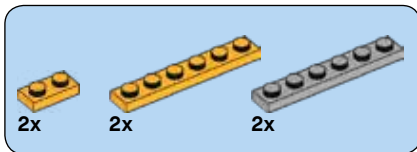




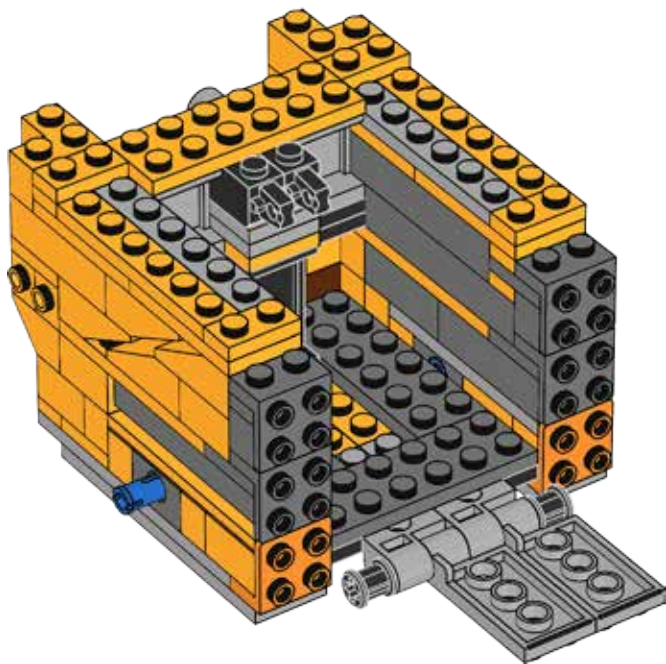
2x

# 36

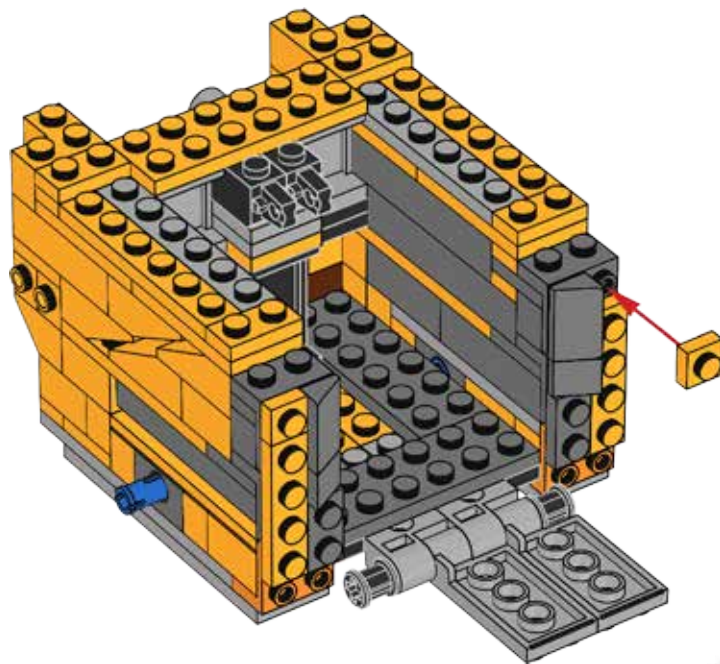


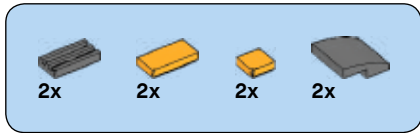


# 37

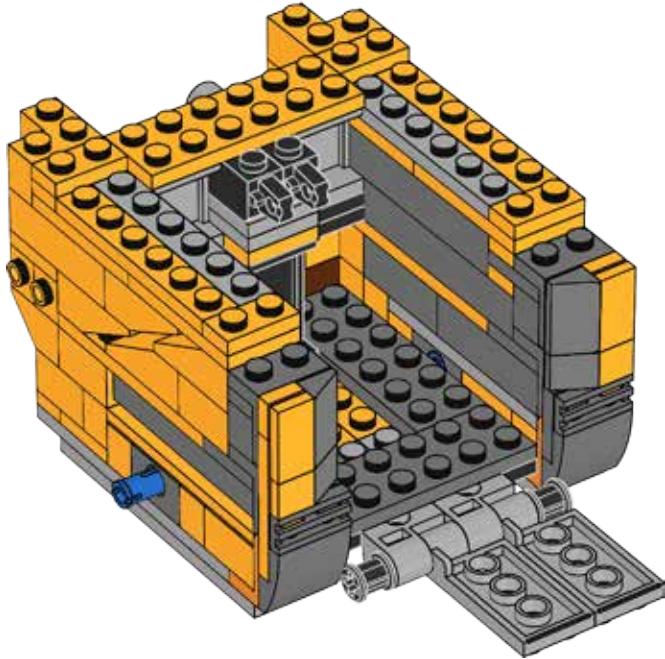


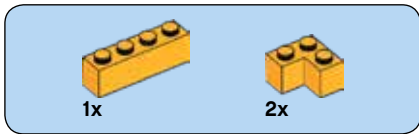
# 38



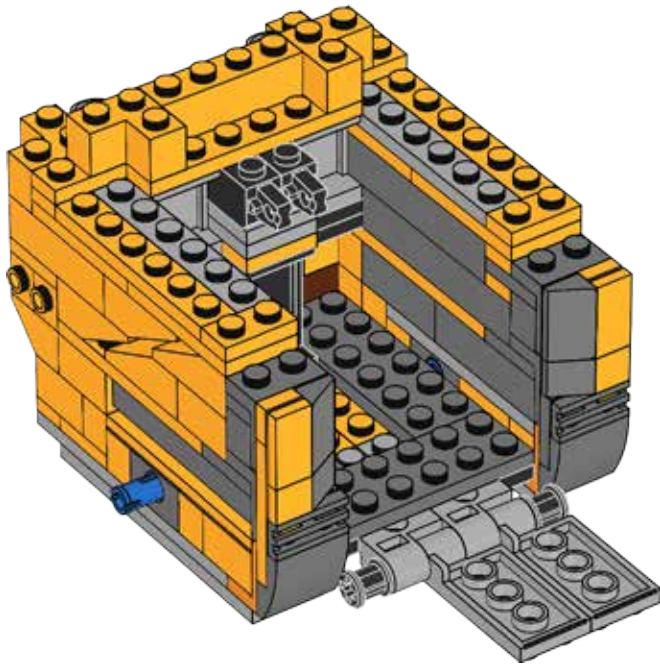


# 39

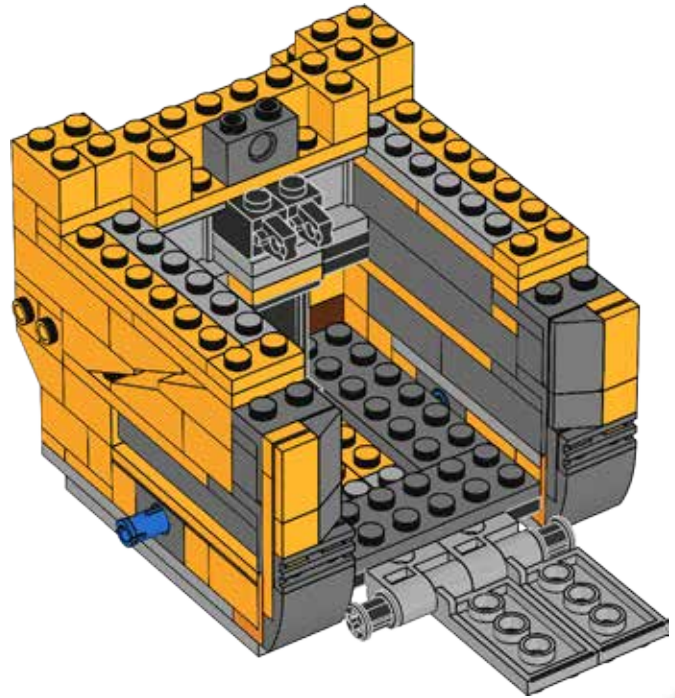


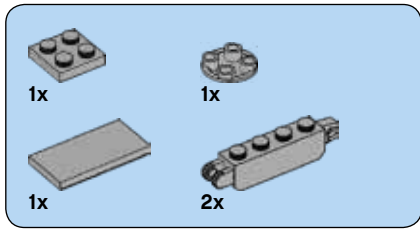


# 40



# 41



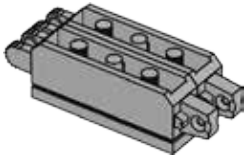


# 42

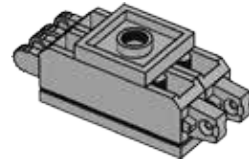
1



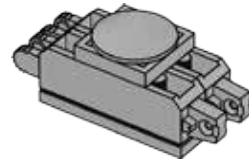
2

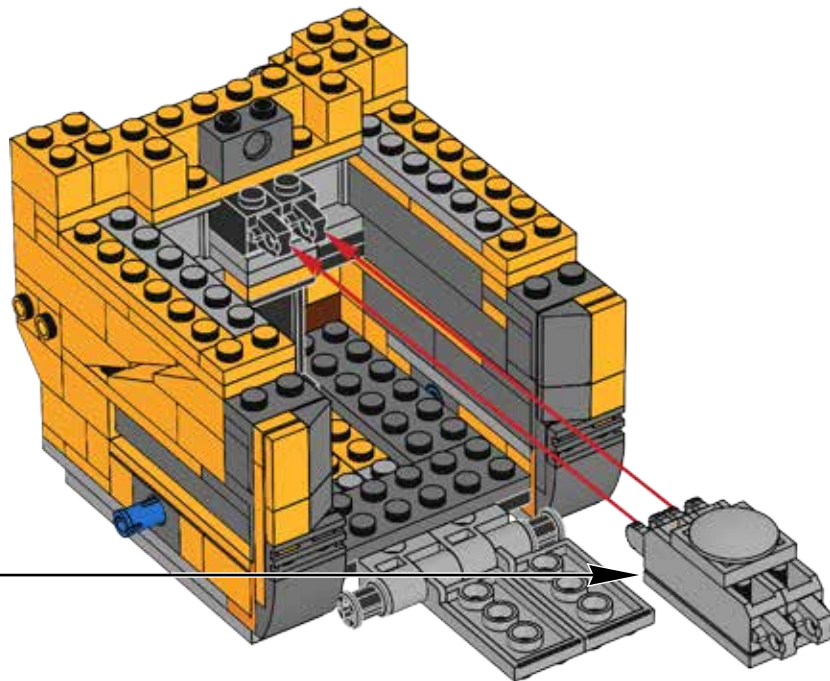


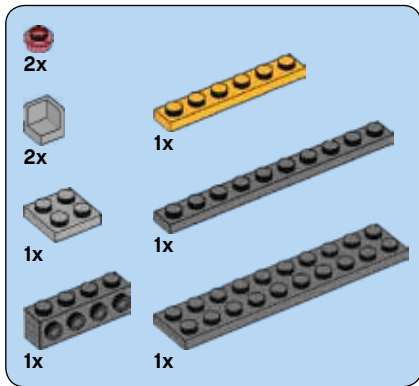
3



4

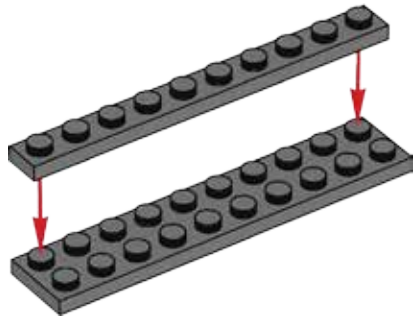




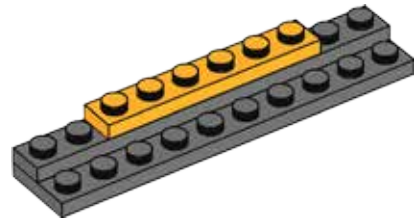


# 43

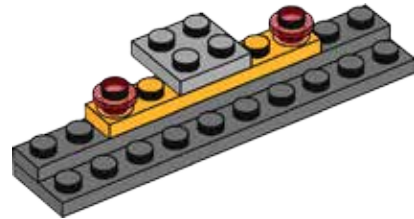
1



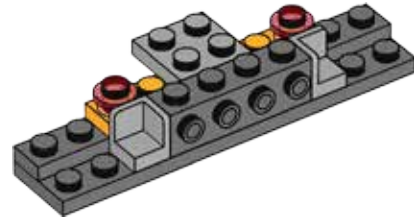
2



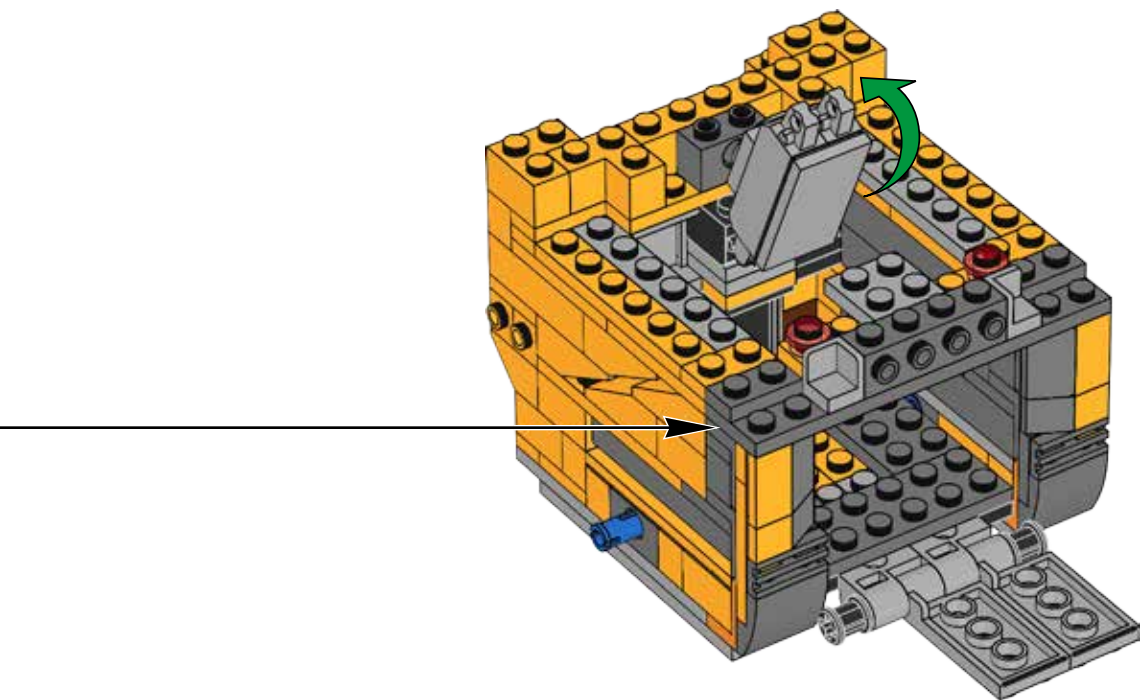
3

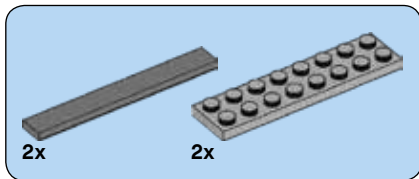


4

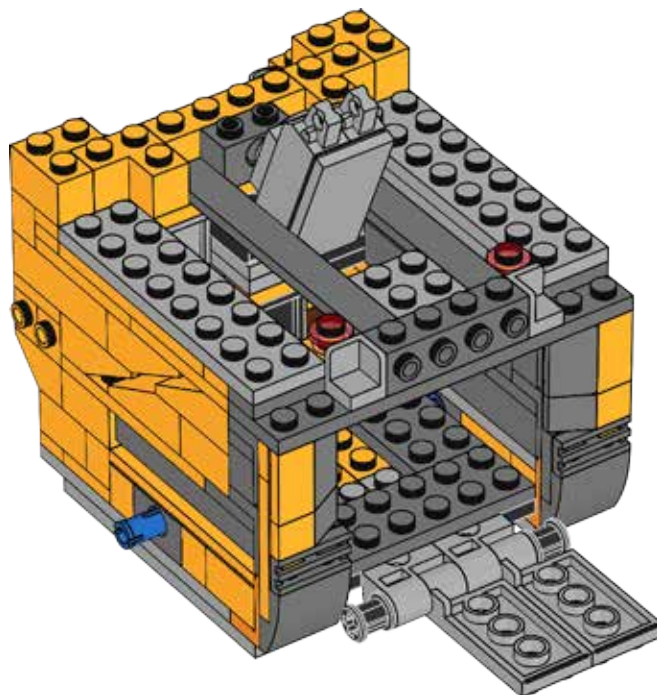








# 44



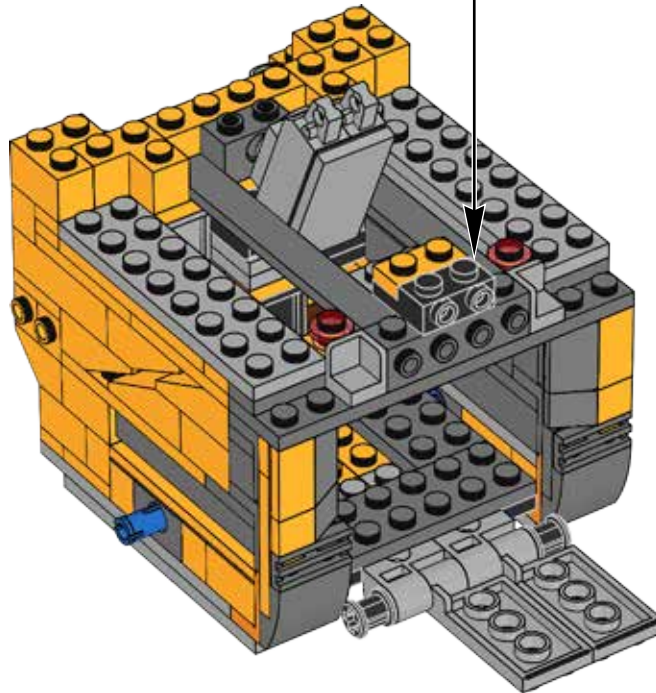
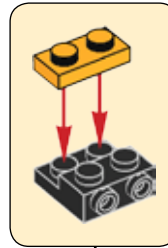


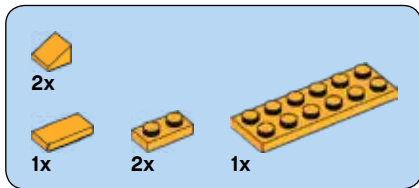
1x



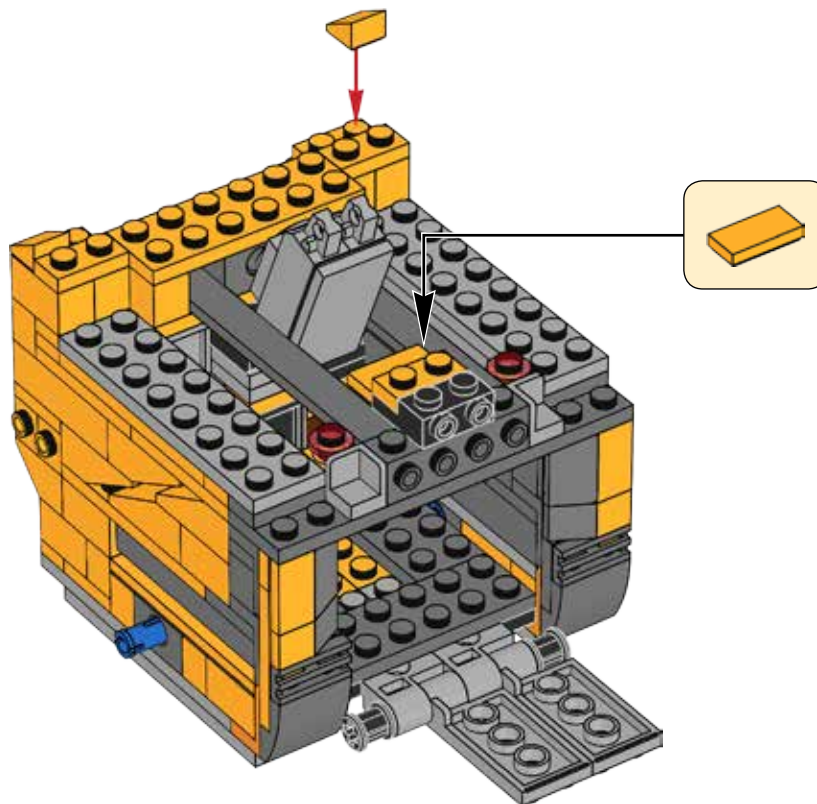
1x

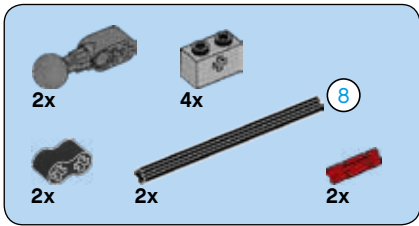
# 45





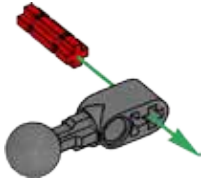
# 46



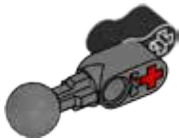


47

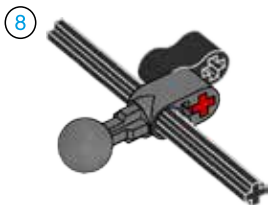
1



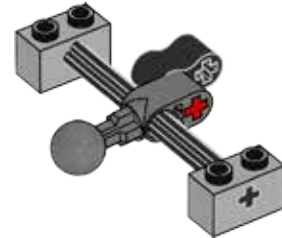
2



3

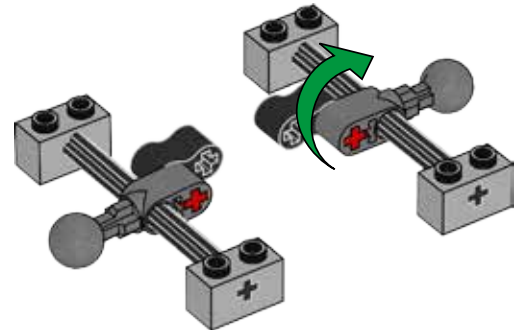


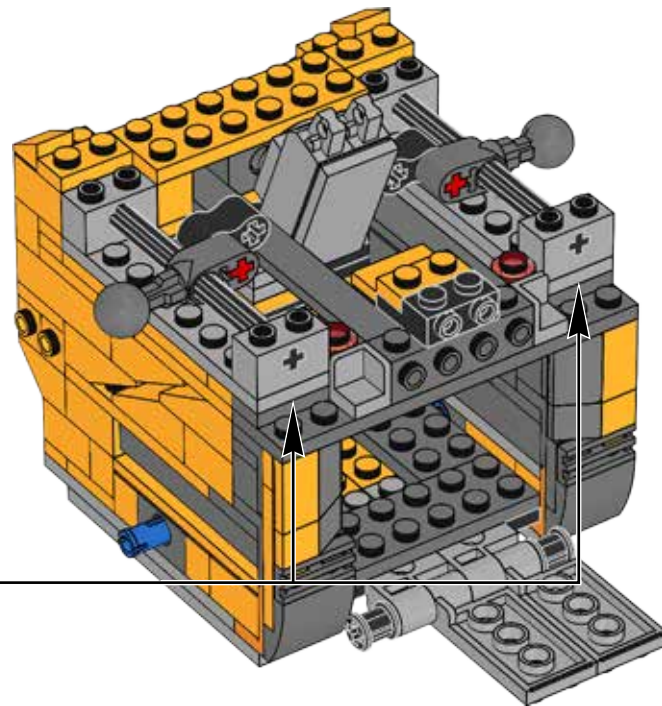
4

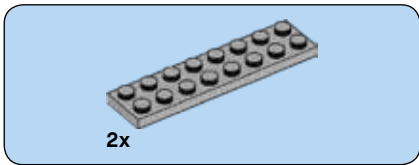


2x

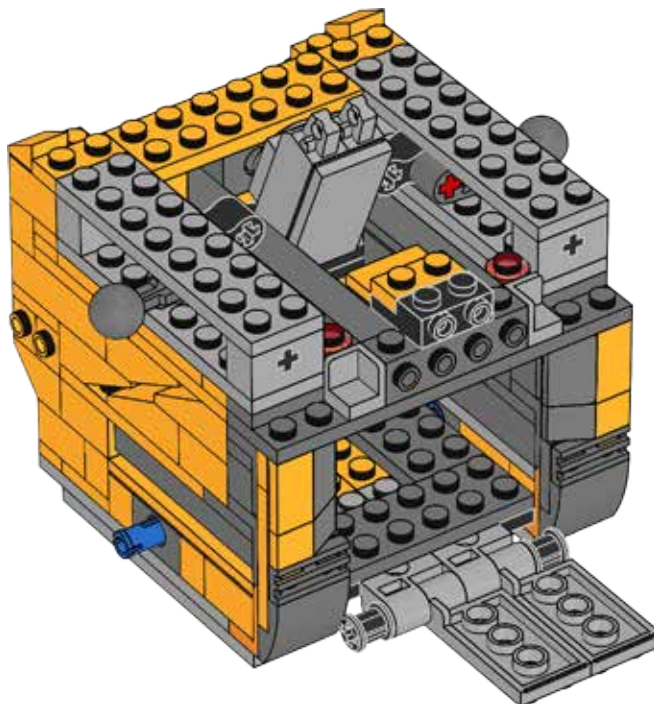
5

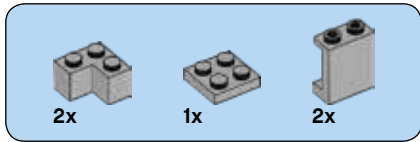




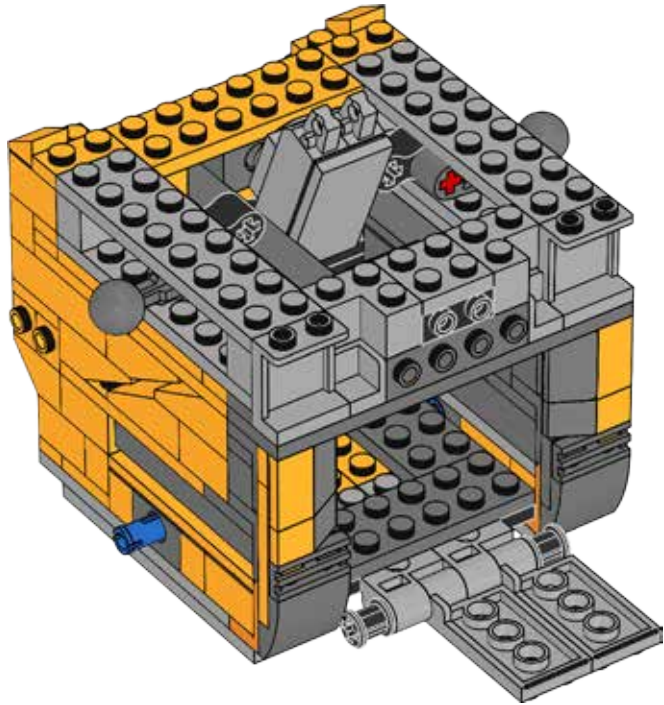


# 48

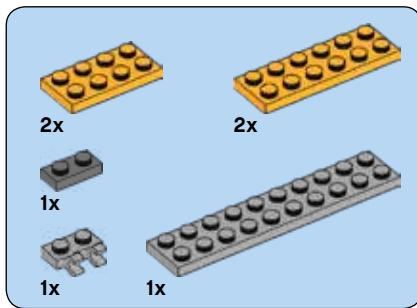




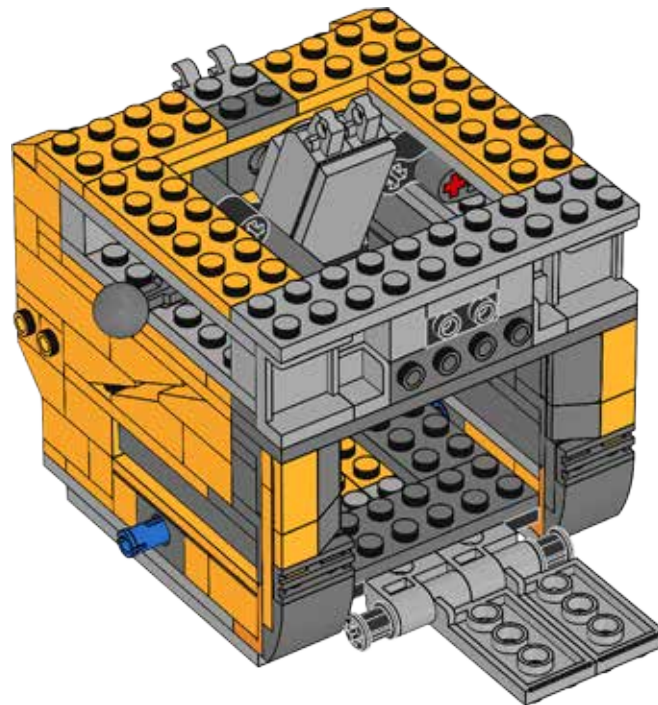
# 49

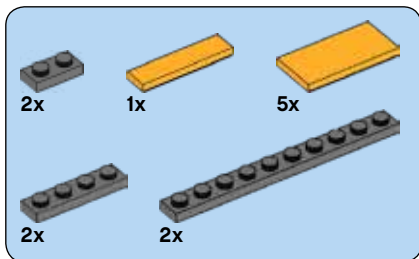




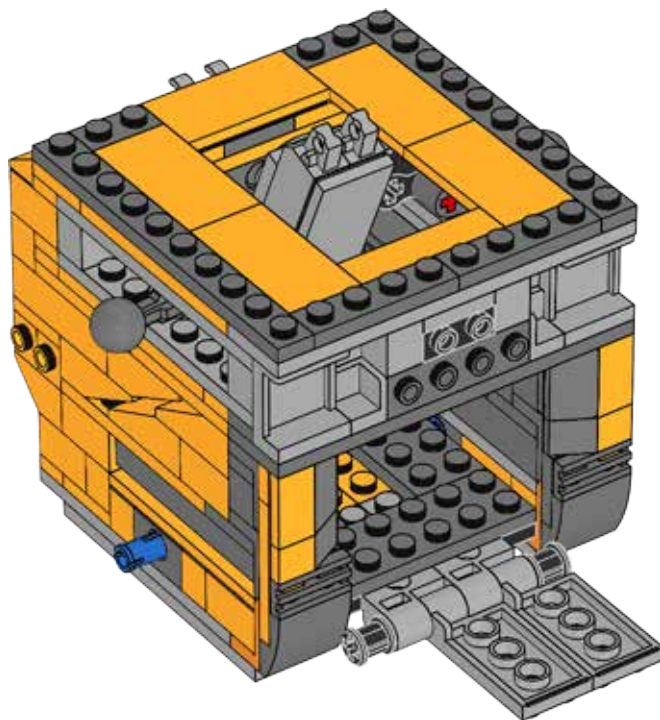


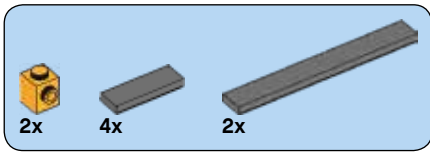
50



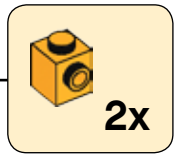
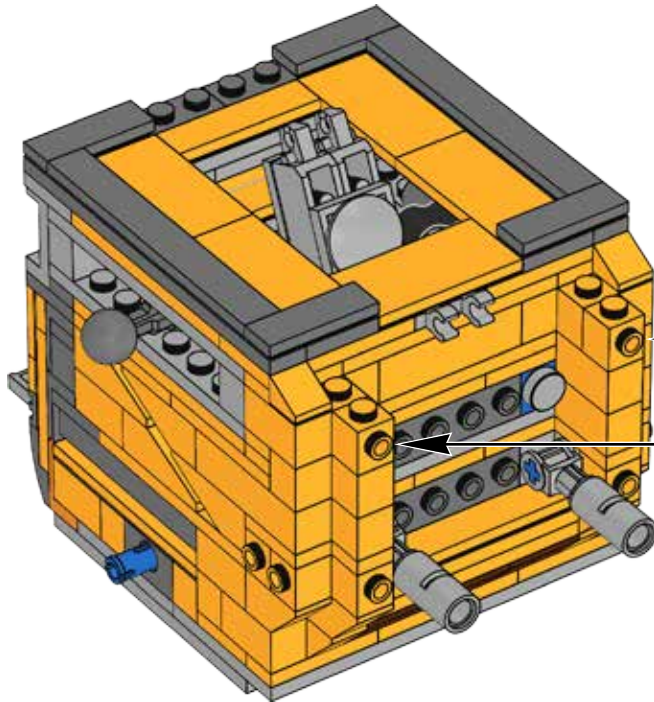
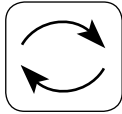


# 51



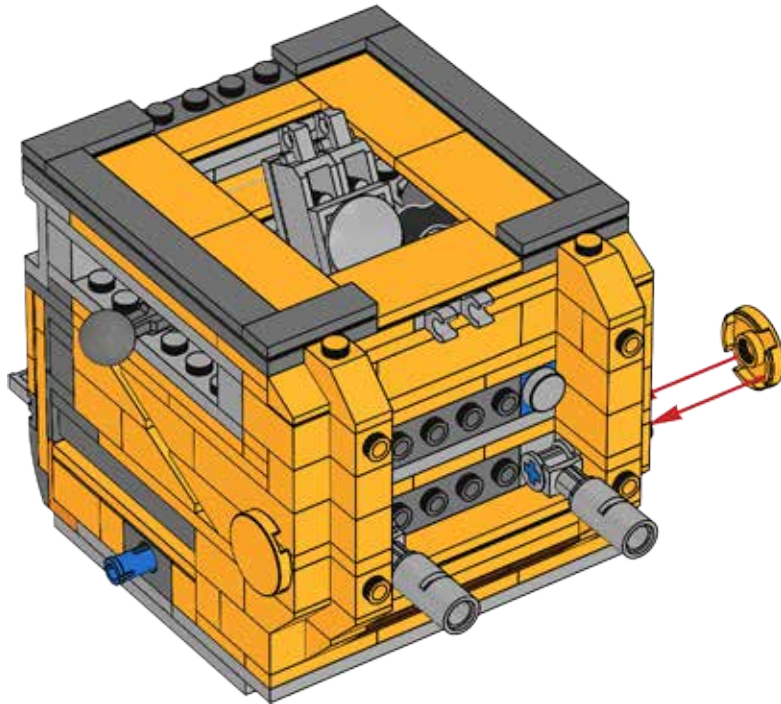


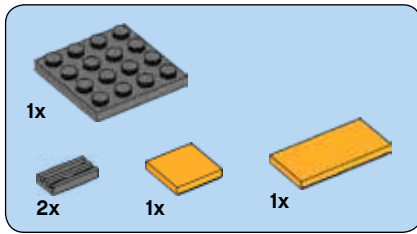
# 52



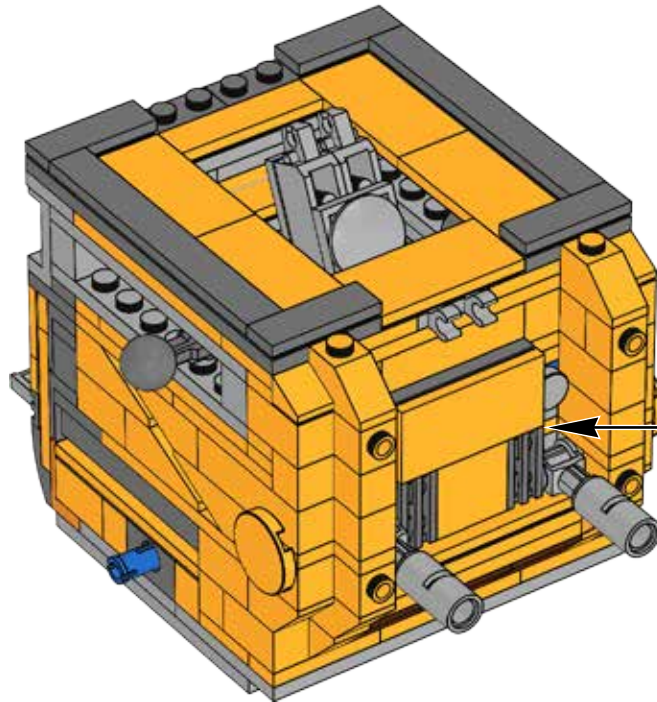
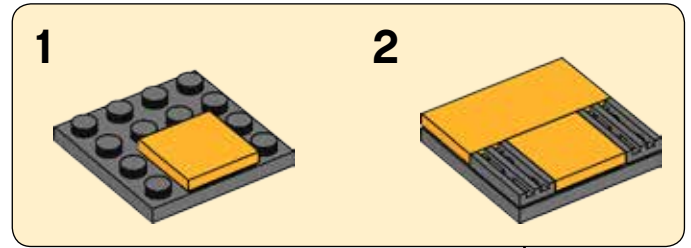


# 53



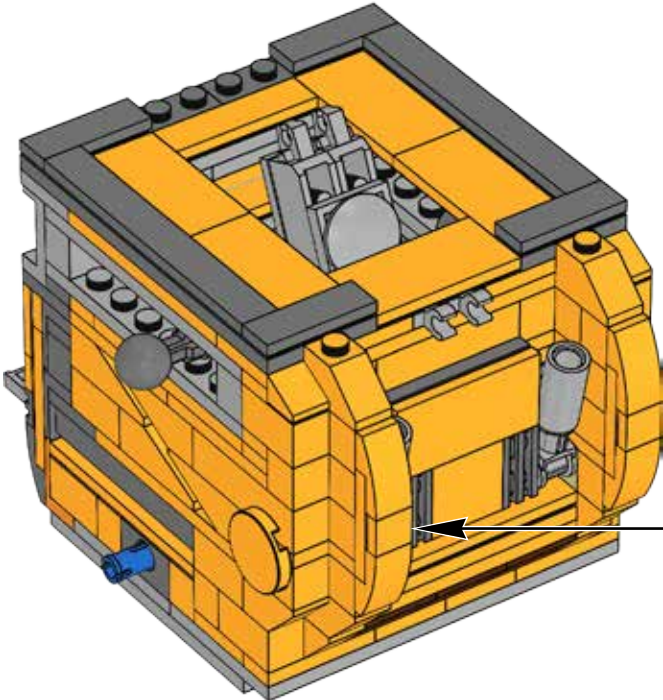
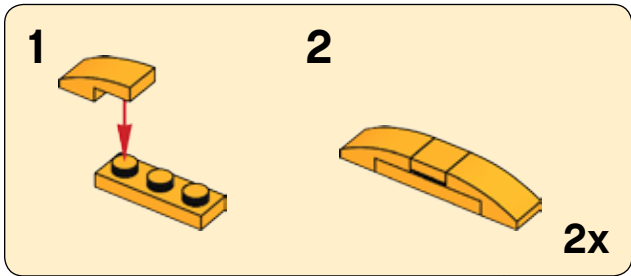


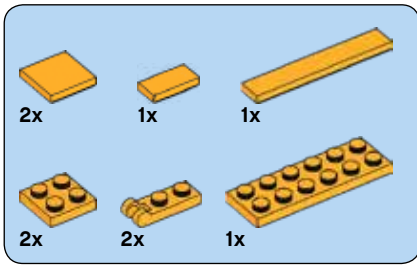
54





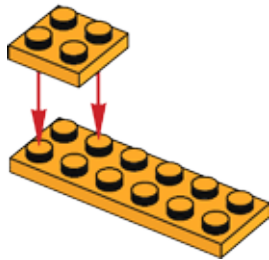
# 55



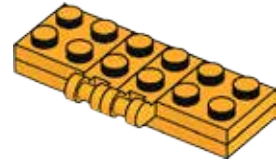


# 56

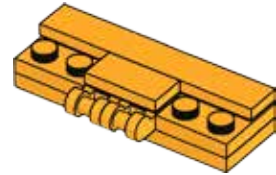
## 1



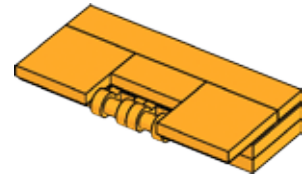
## 2

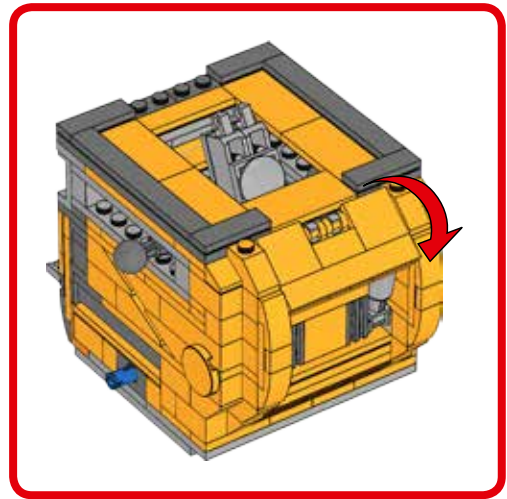
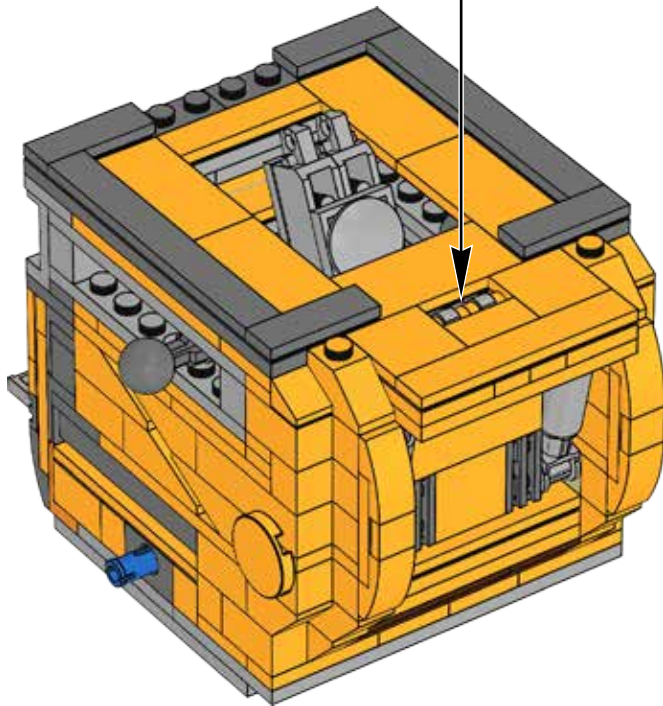


## 3

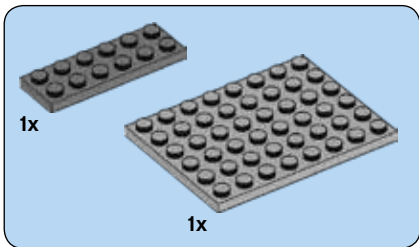


## 4

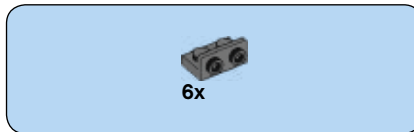




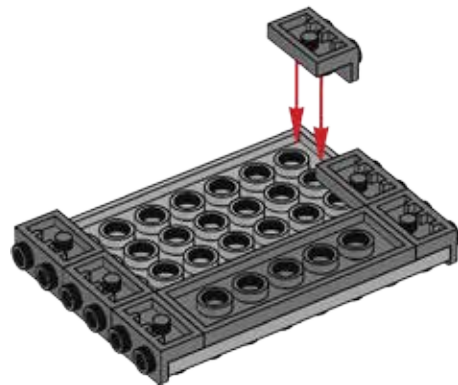


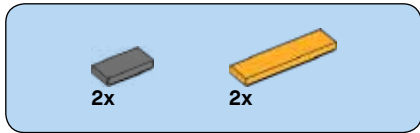


**57**

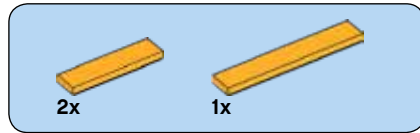
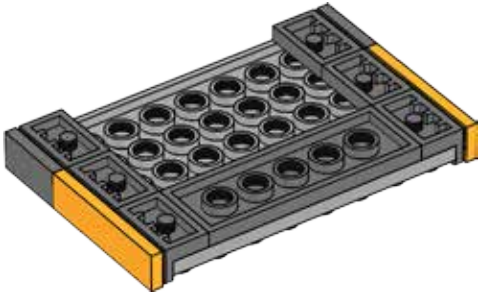


**58**

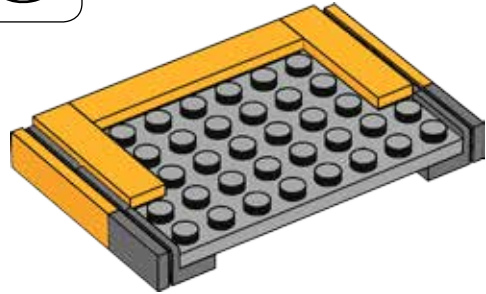
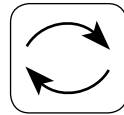


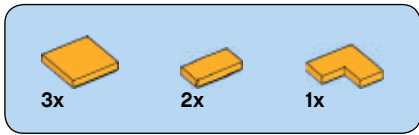


59

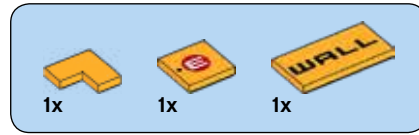
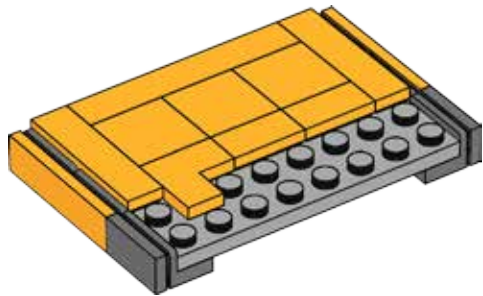


60

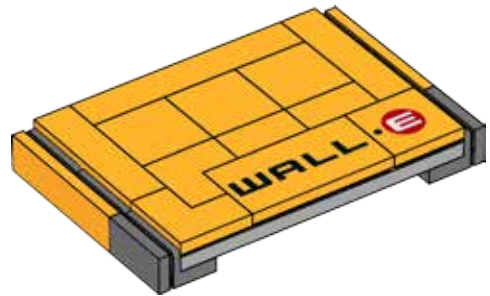




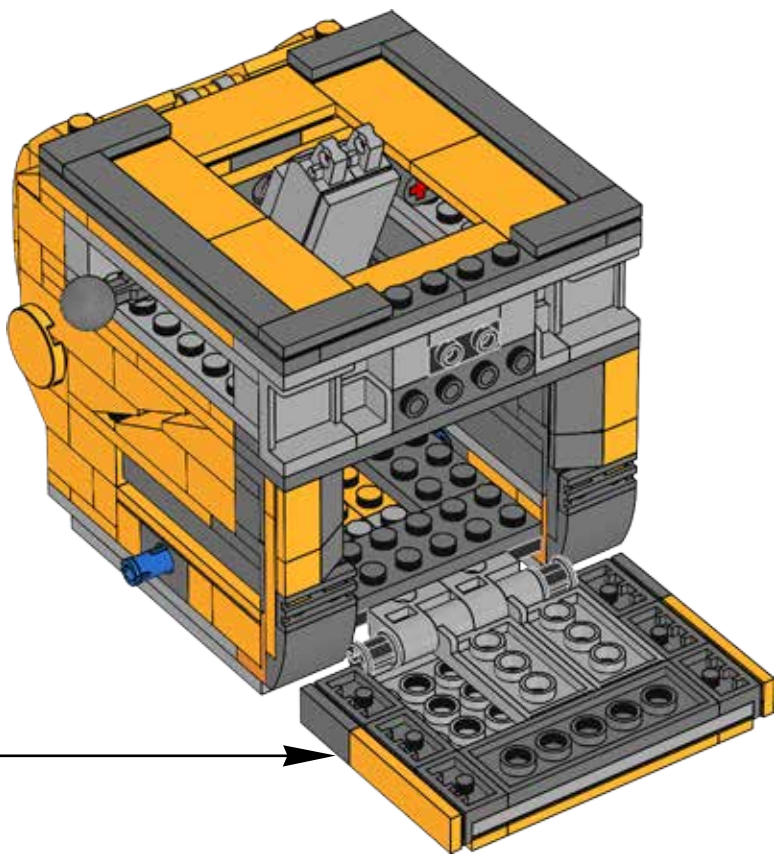
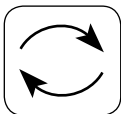
# 61



# 62



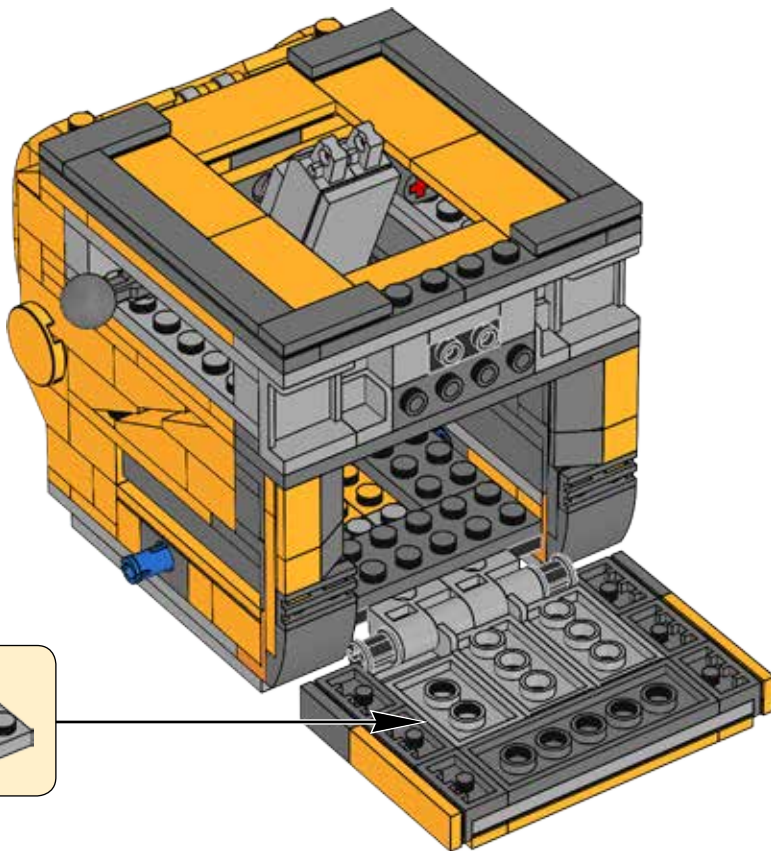
# 63





1x

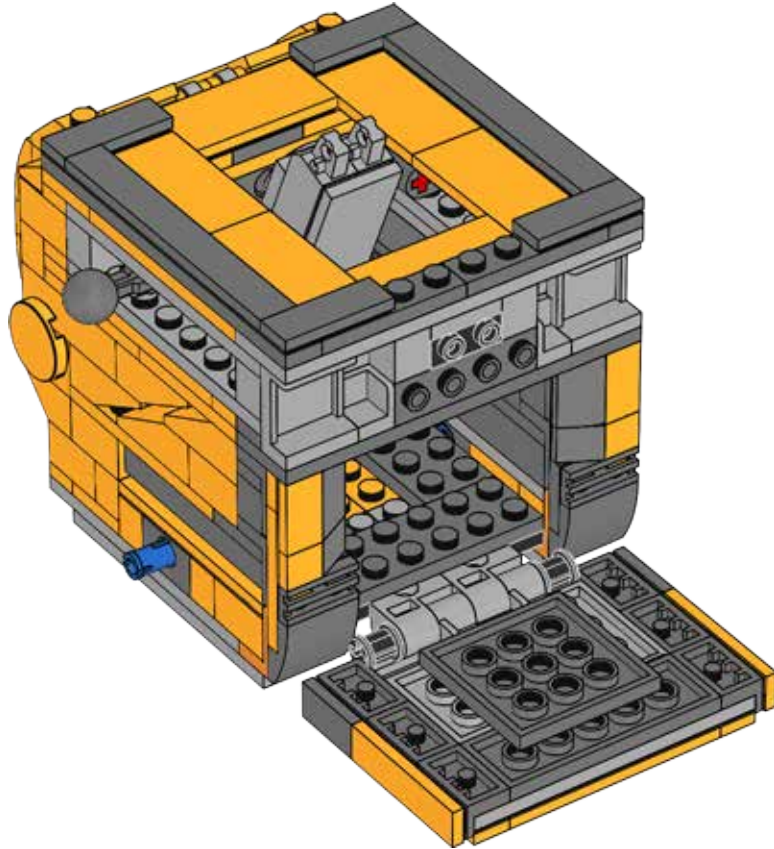
# 64





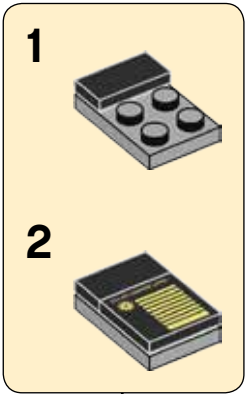
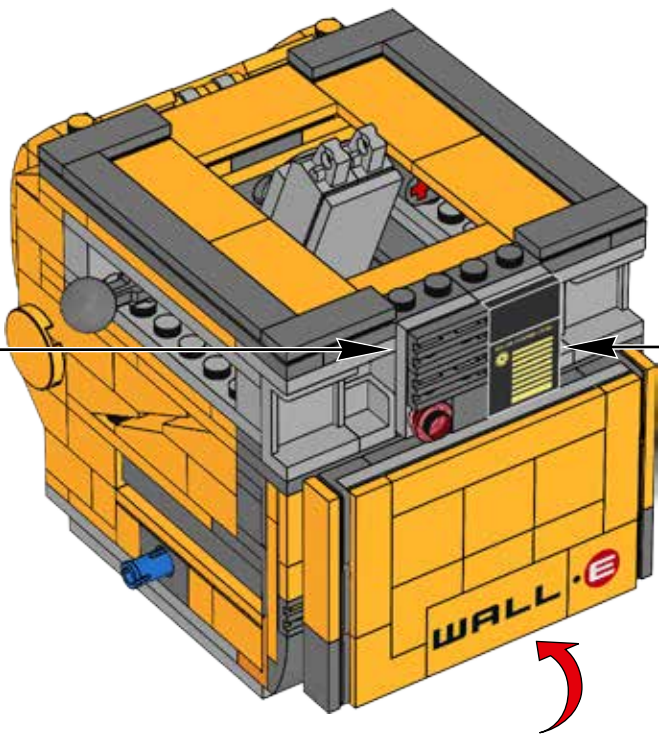
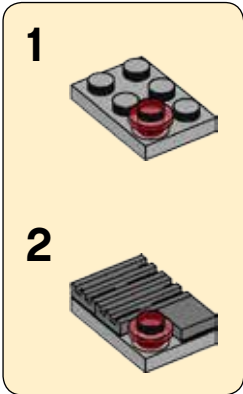
1x

# 65





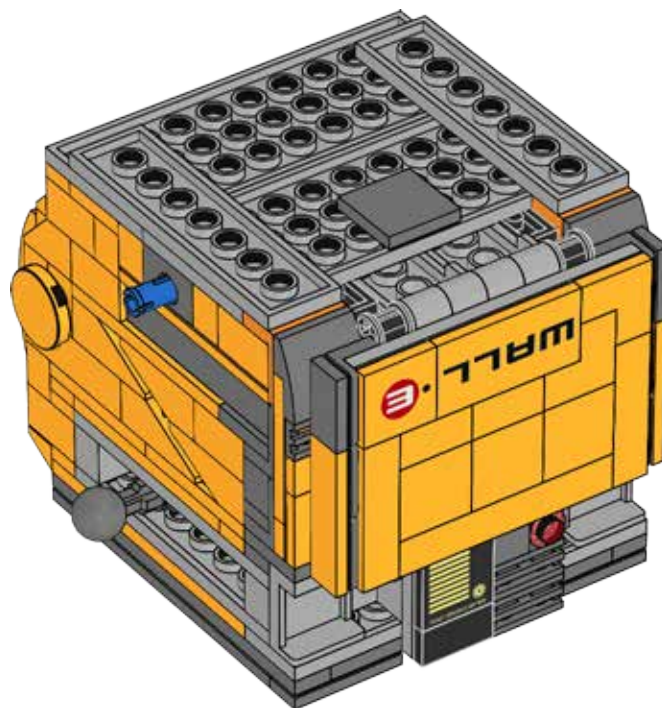
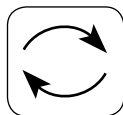
# 66



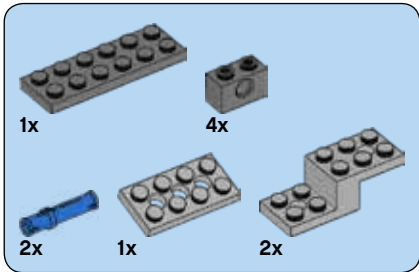


1x

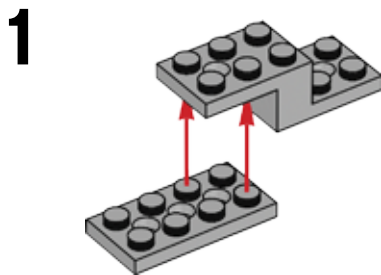
# 67



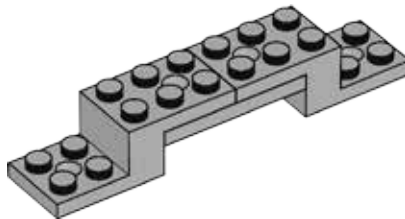




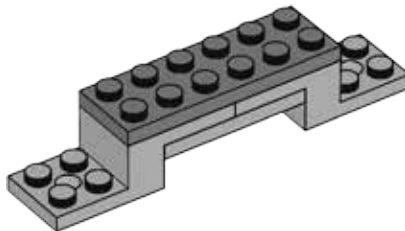
68

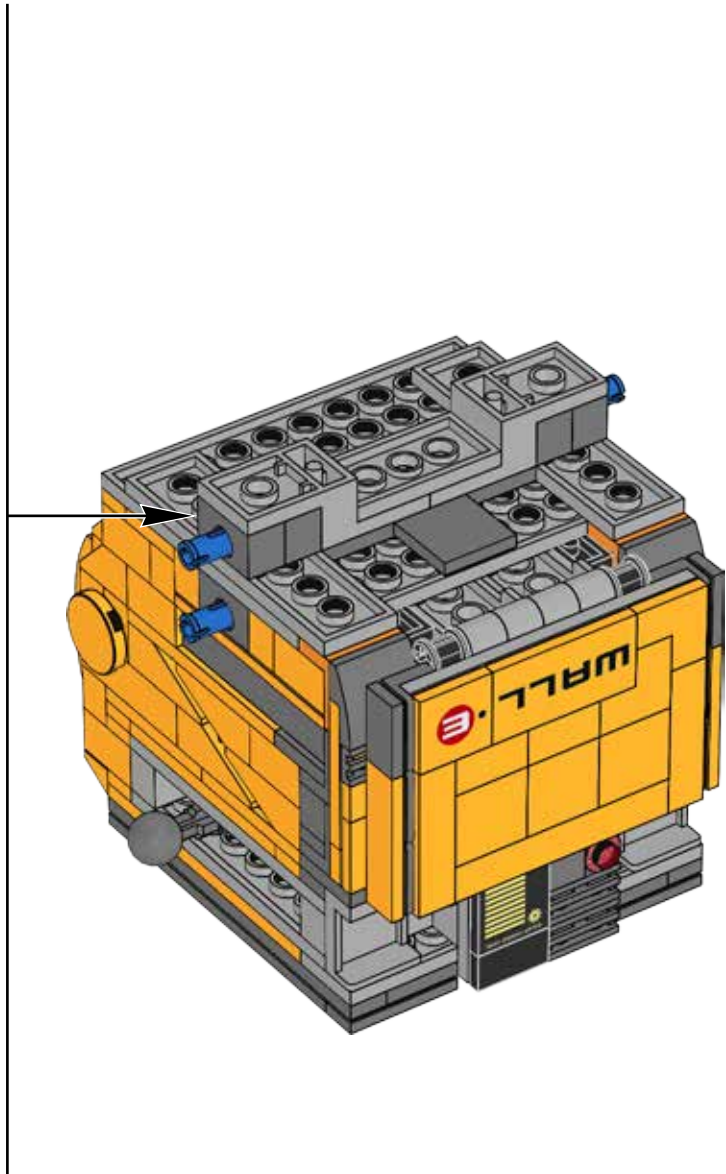
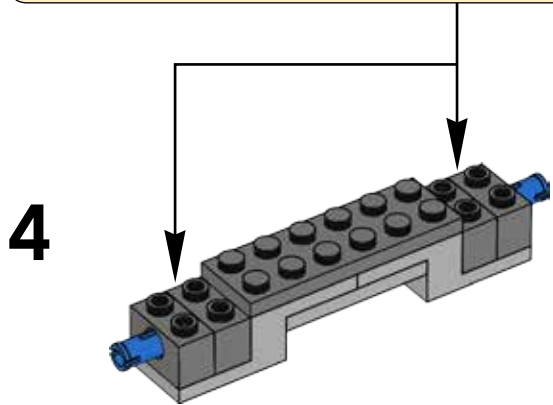
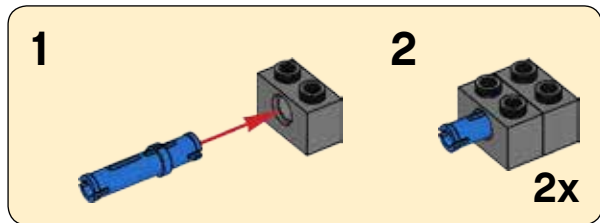


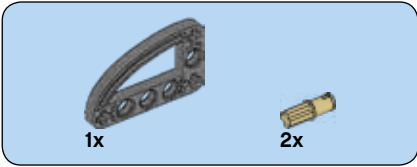
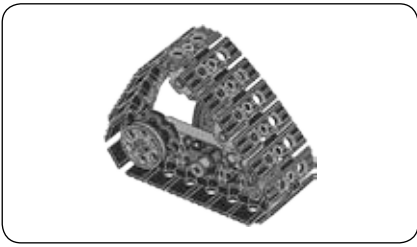
2



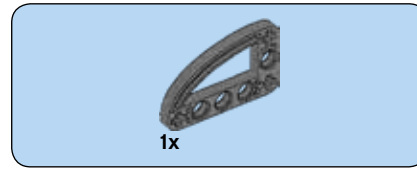
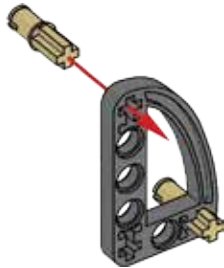
3



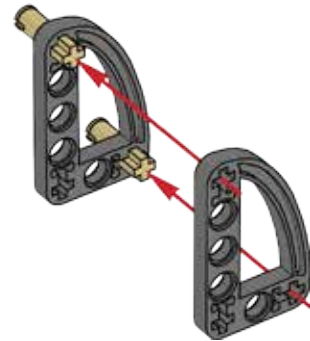


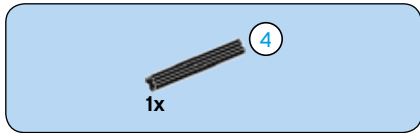


69

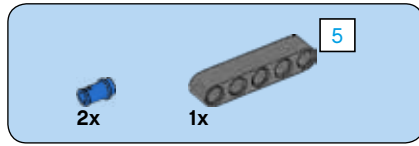
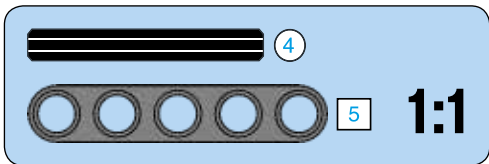
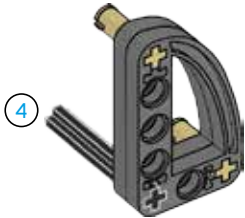


70

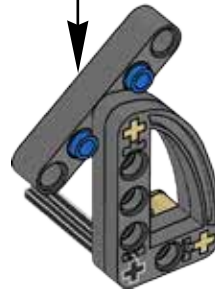
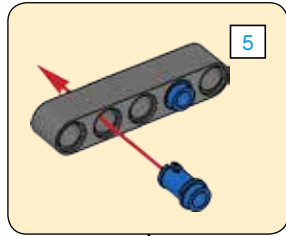




# 71

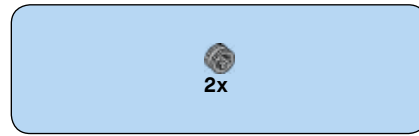
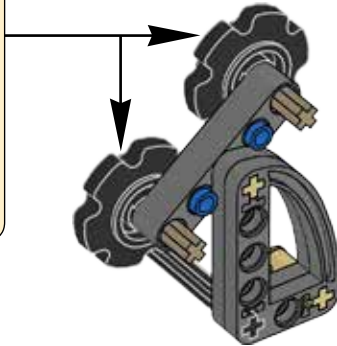
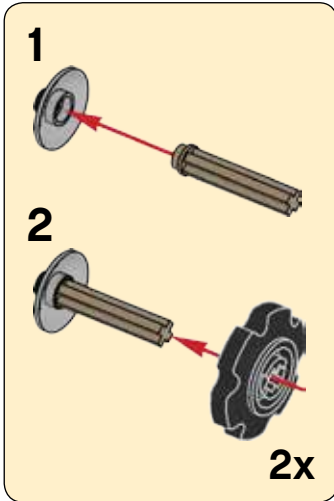


# 72

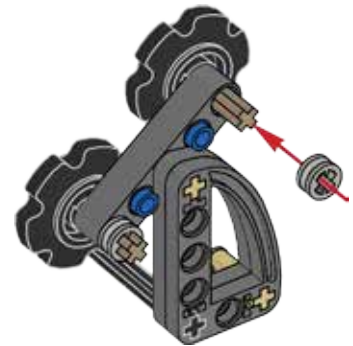


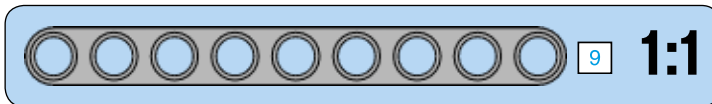
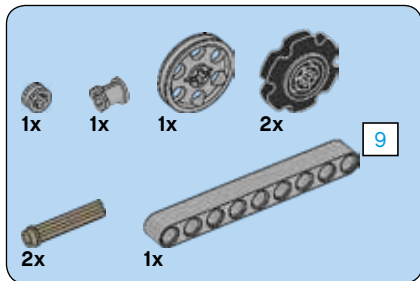


# 73



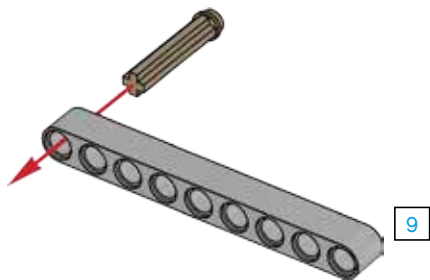
# 74



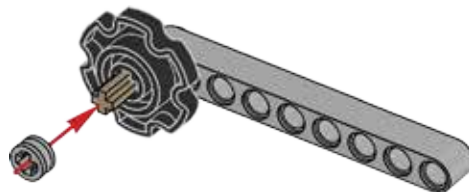


75

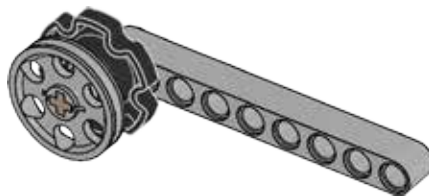
1



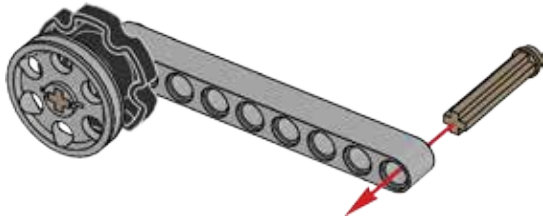
2



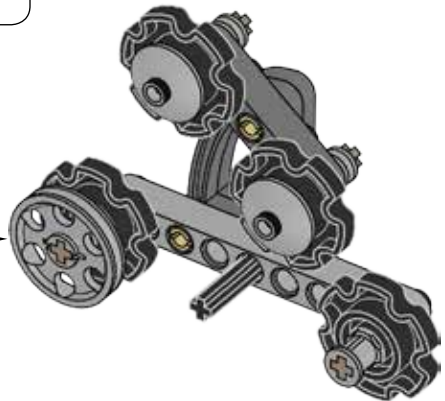
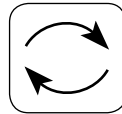
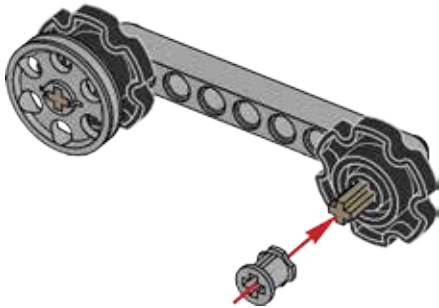
3



4



5





1x



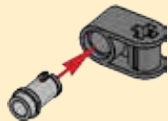
1x



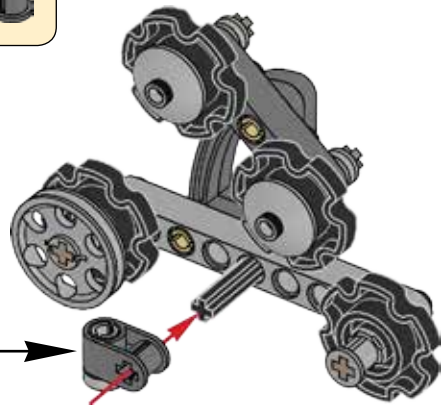
1x

# 76

1

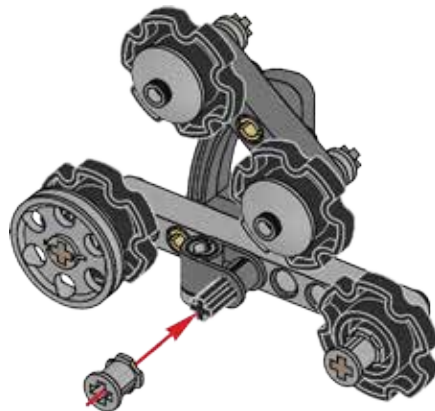


2

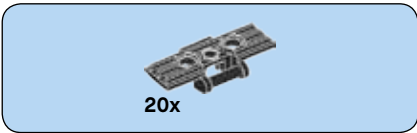


1x

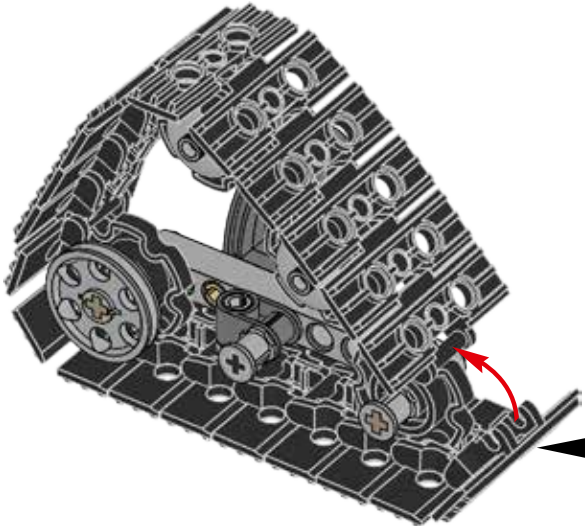
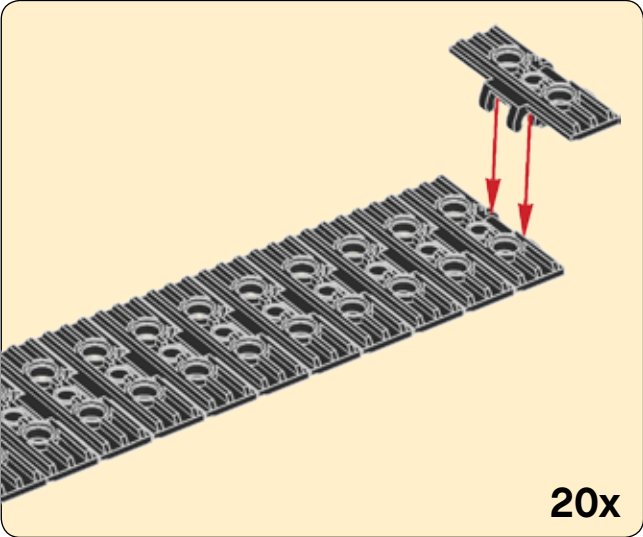
# 77



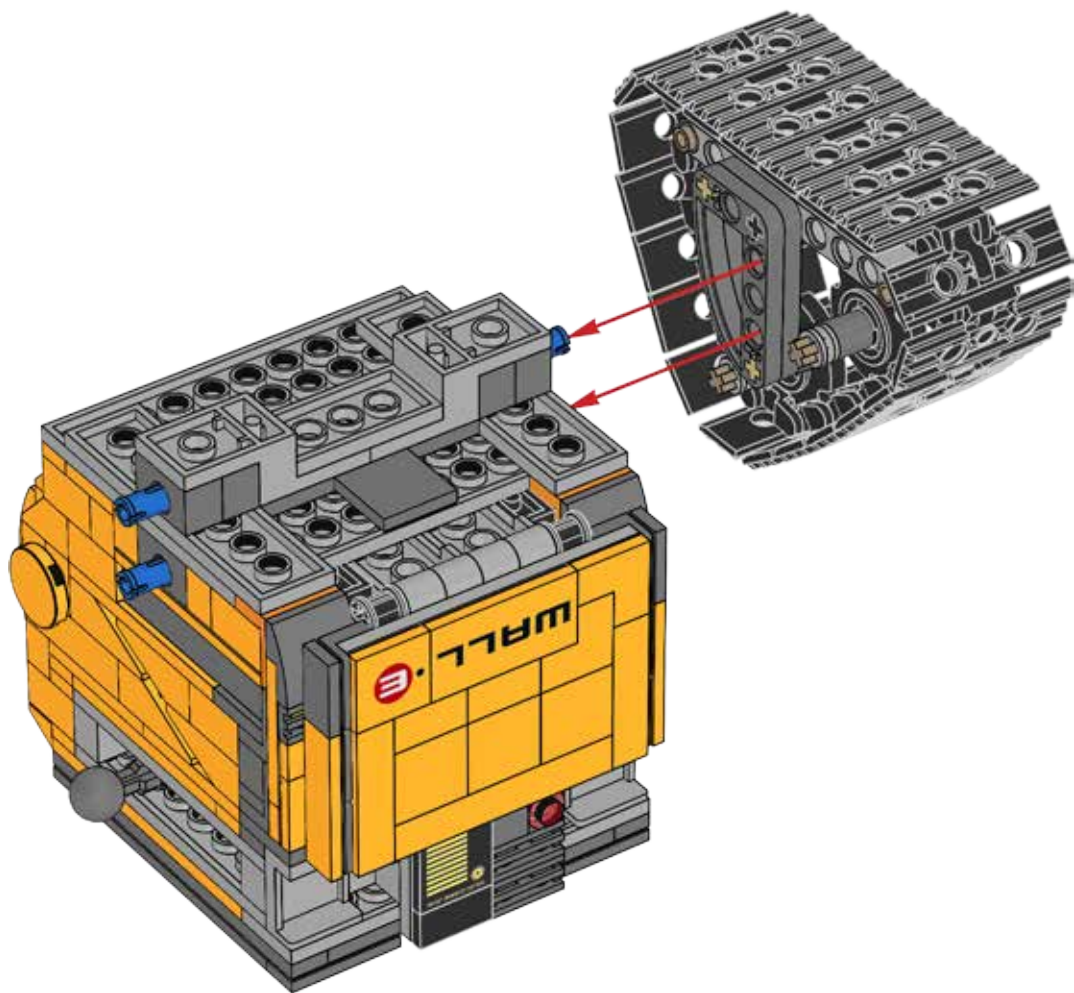


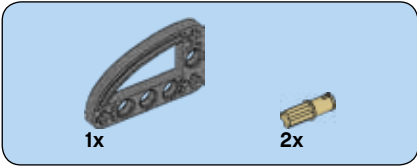
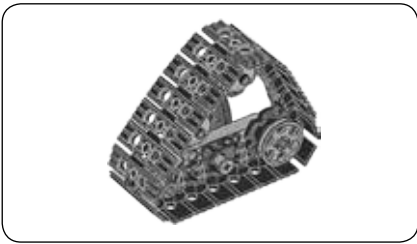


# 78

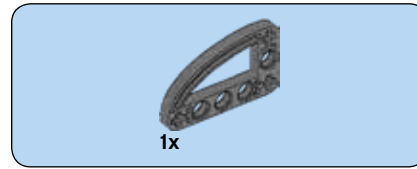
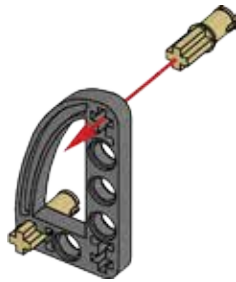


# 79

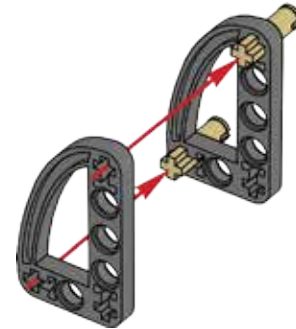


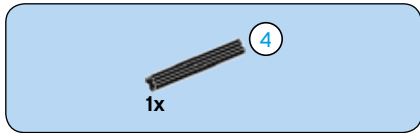


80

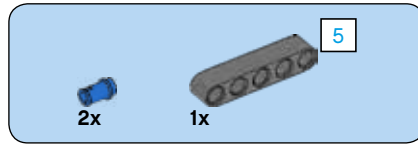
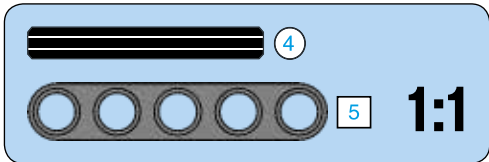
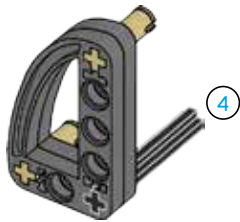


81

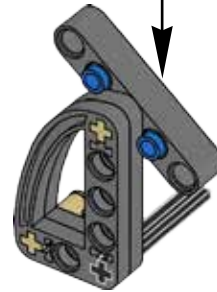
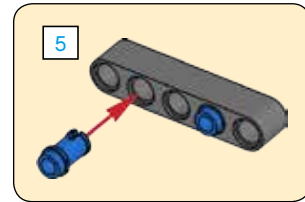


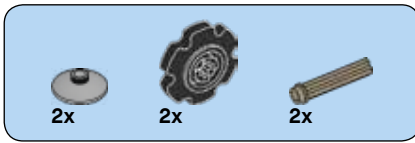


82

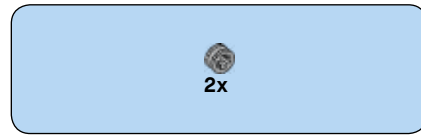
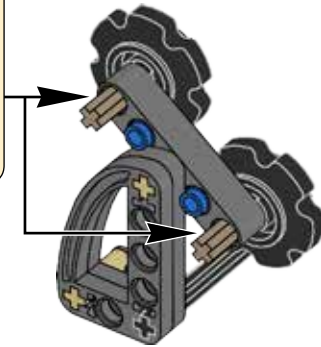
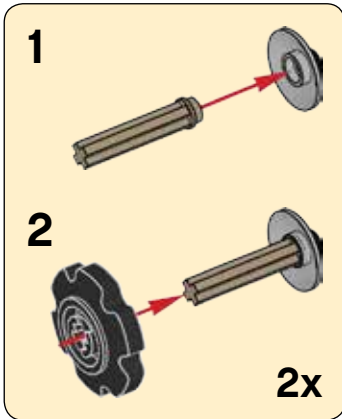


83

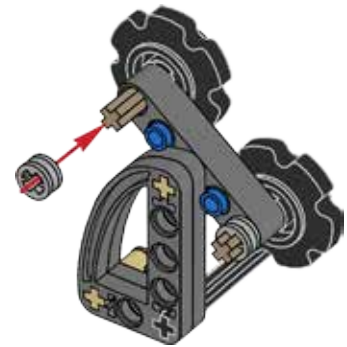


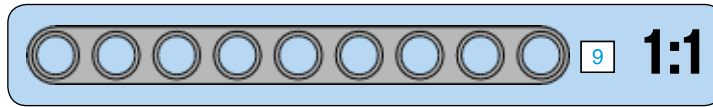
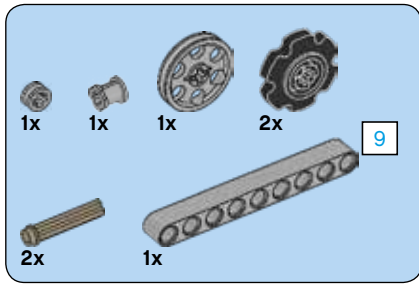


# 84



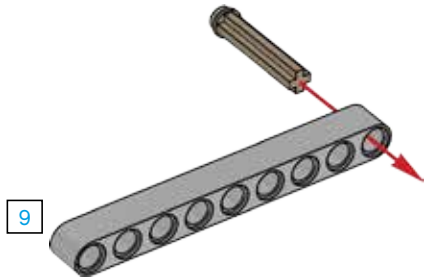
# 85



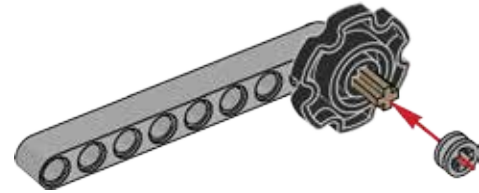


# 86

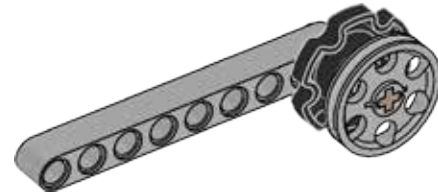
## 1



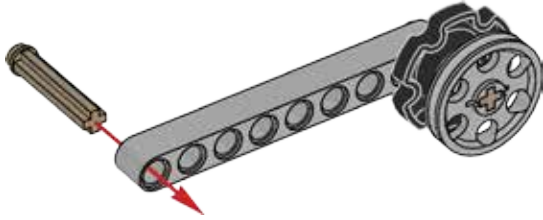
## 2



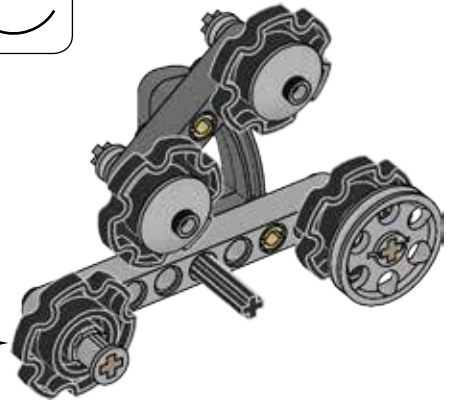
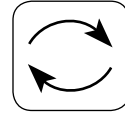
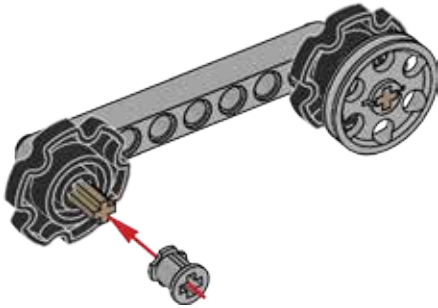
## 3

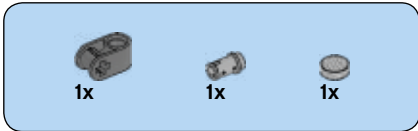


4

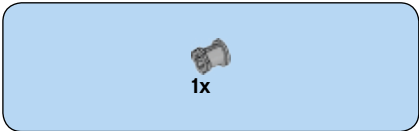
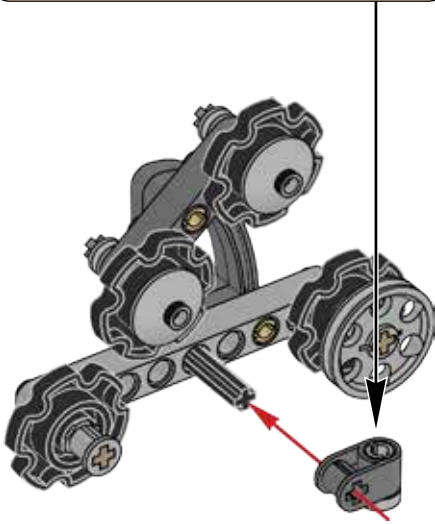
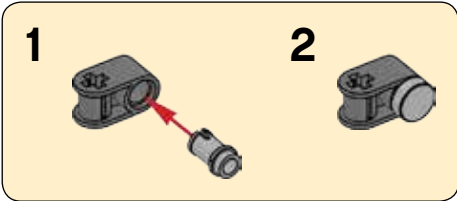


5

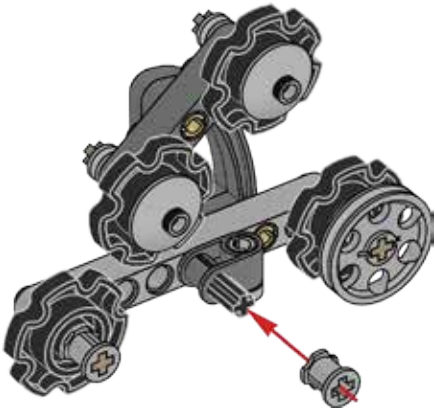




# 87



# 88





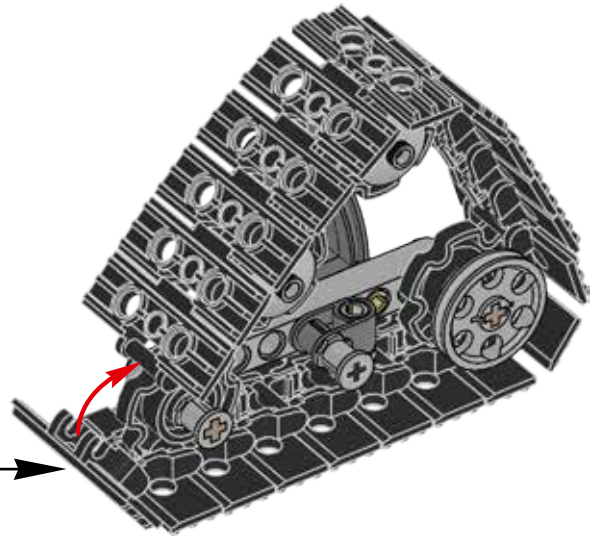


20x

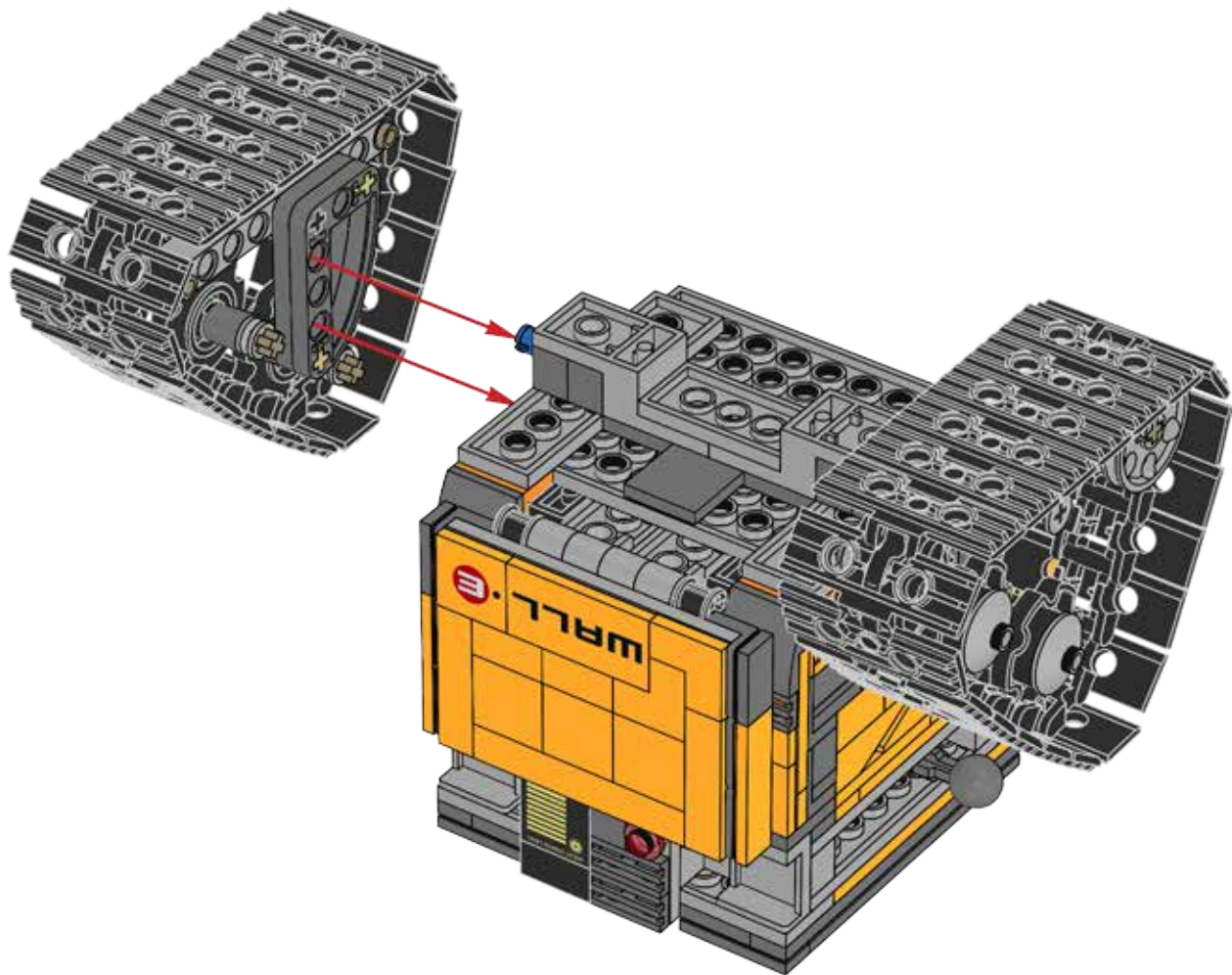
# 89



20x



# 90



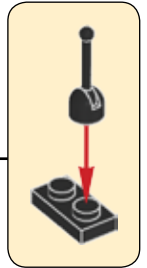
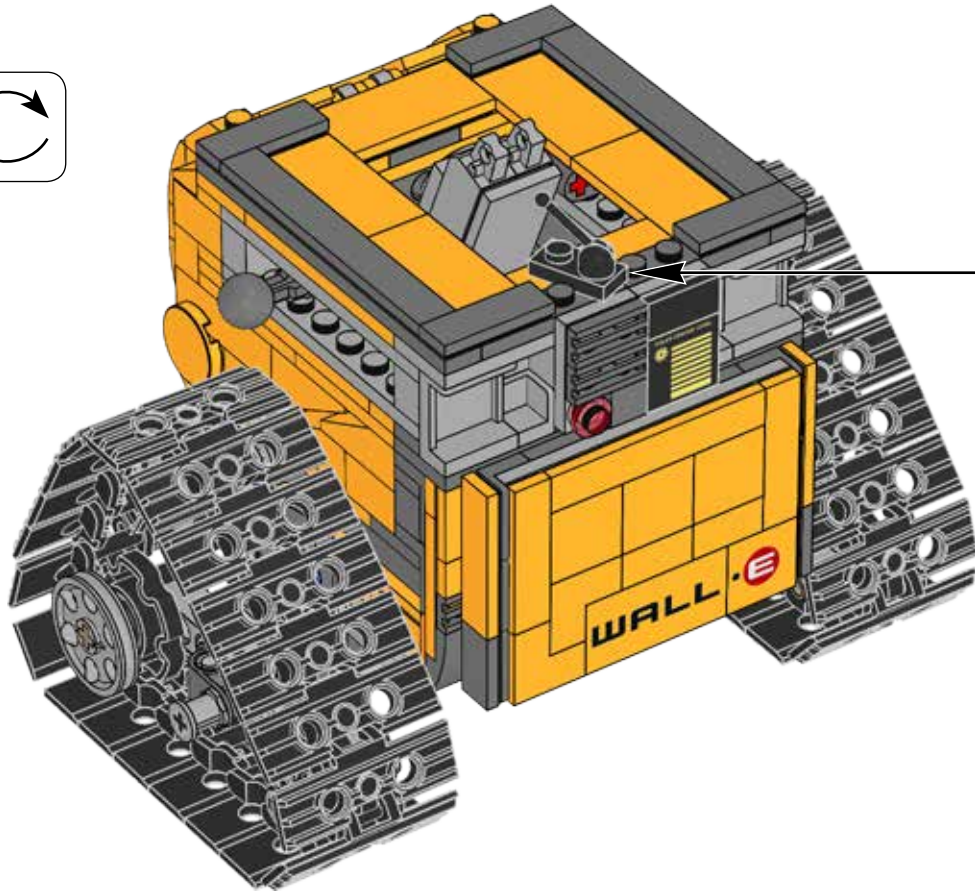
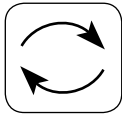


1x



1x

# 91



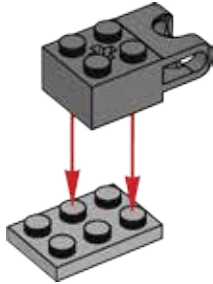


1x



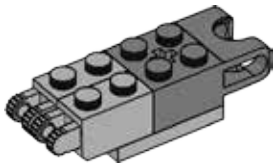
1x

# 92



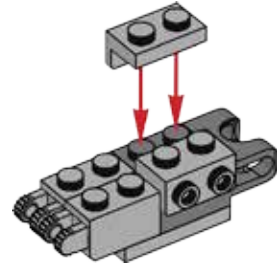
2x

# 93



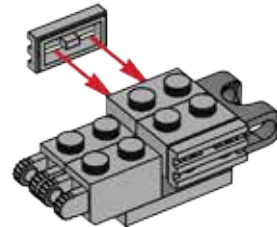
2x

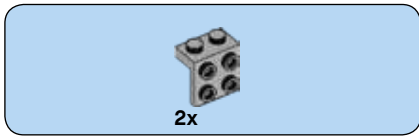
# 94



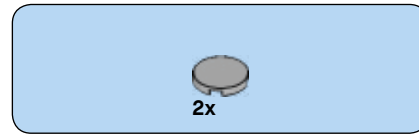
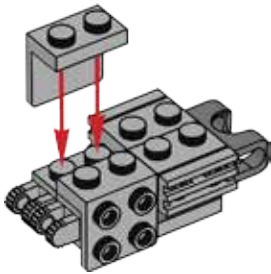
2x

# 95

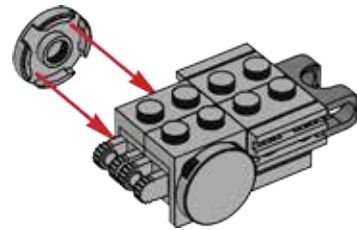




96



97



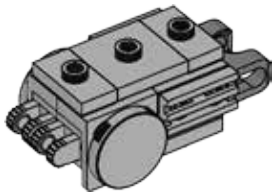


1x



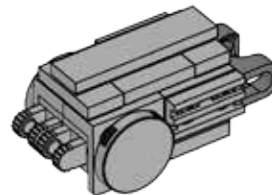
2x

# 98

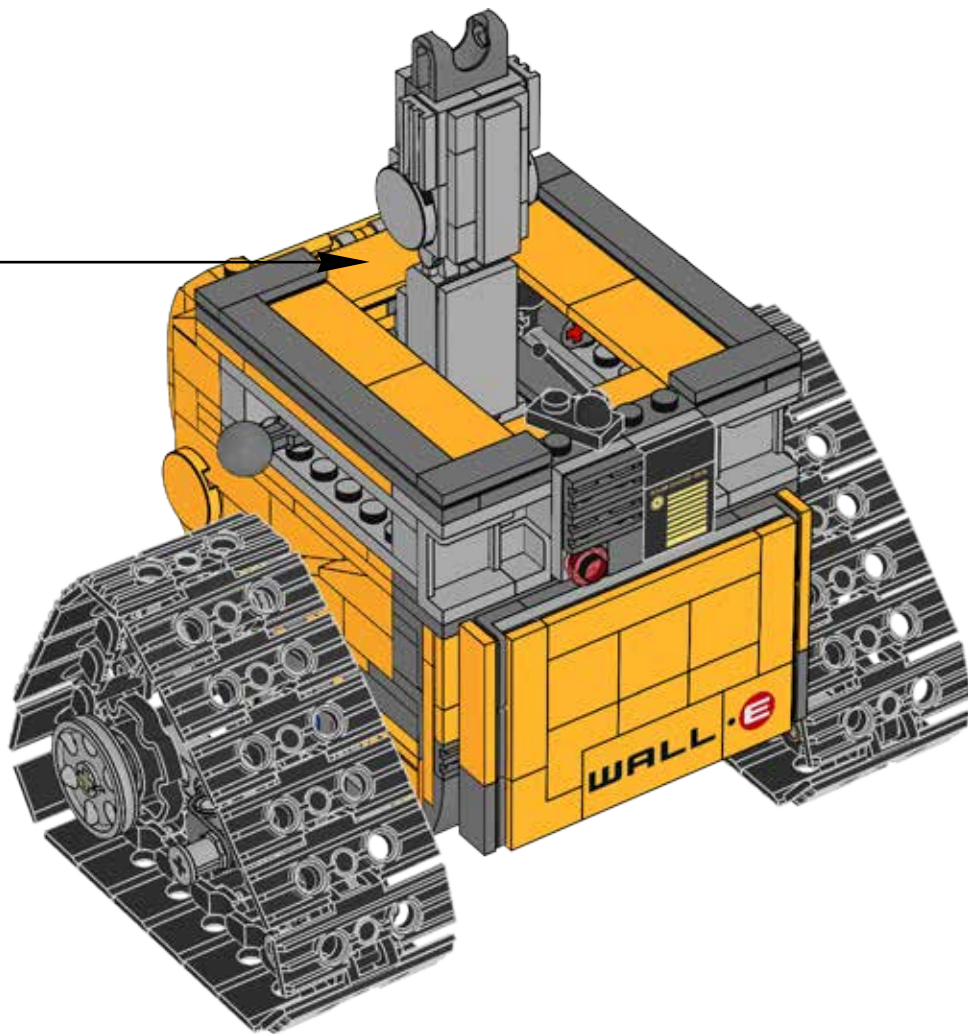


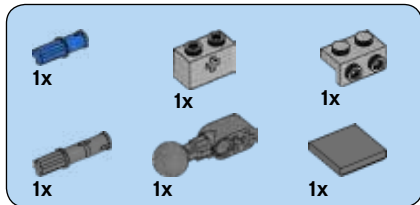
1x

# 99

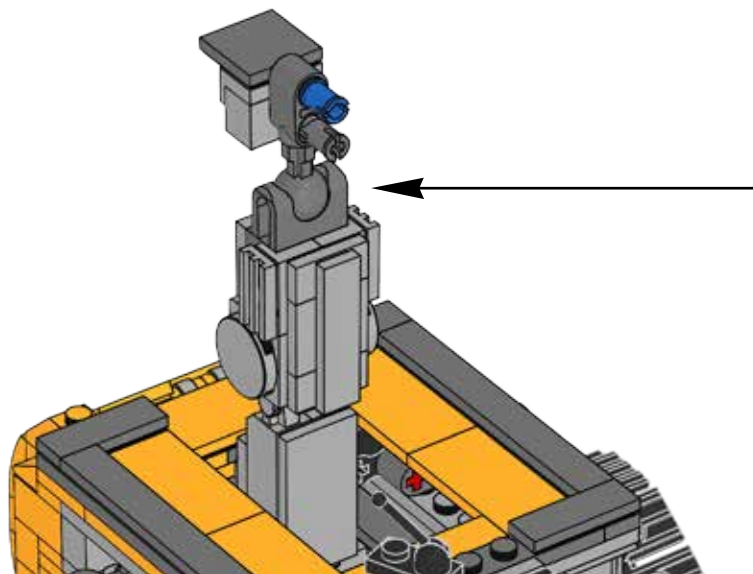
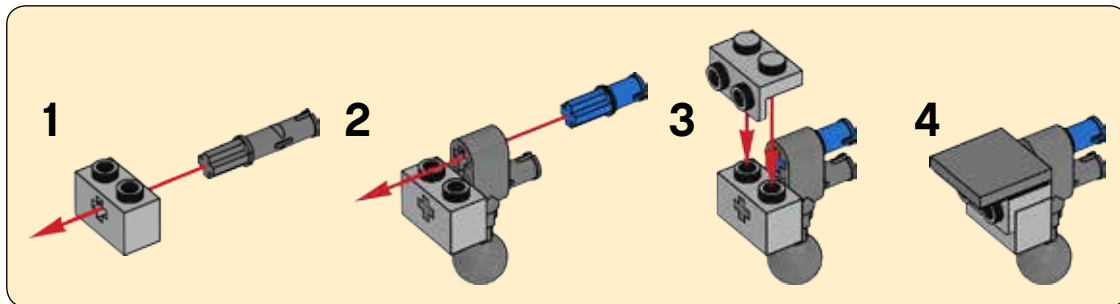


100





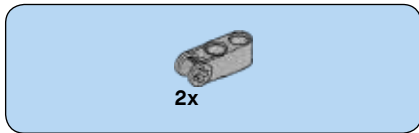
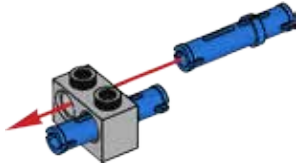
# 101



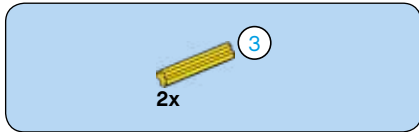
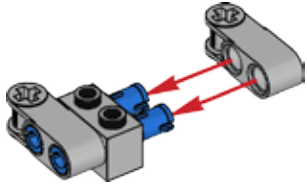




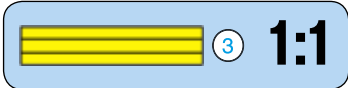
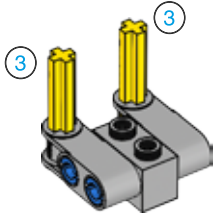
# 102



# 103



# 104



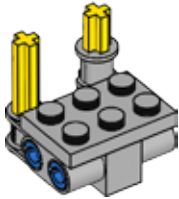


1x



1x

# 105



1x

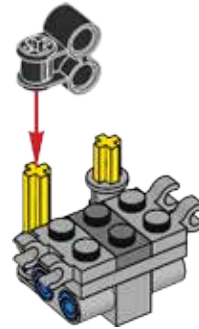


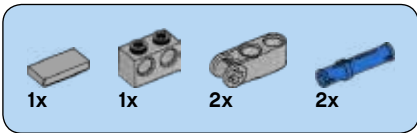
1x



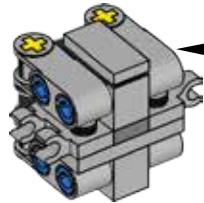
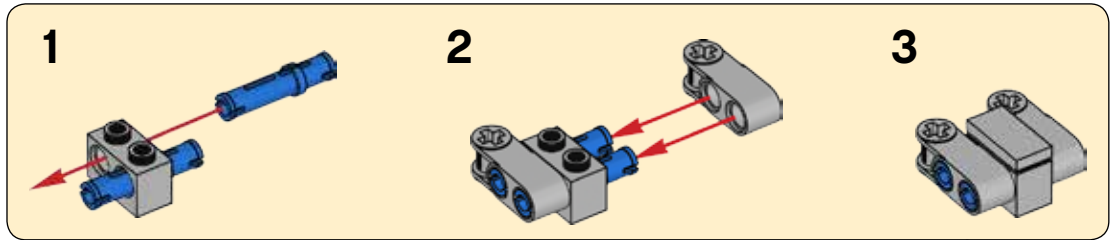
2x

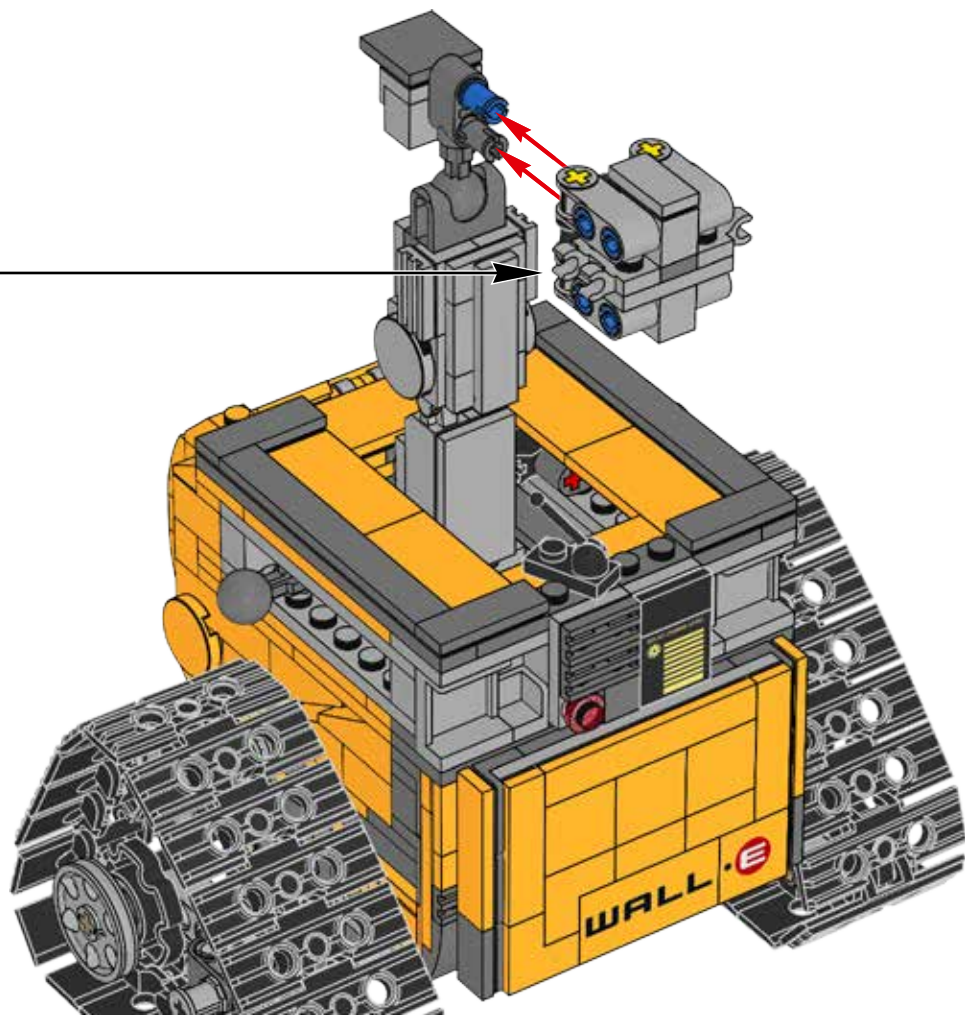
# 106

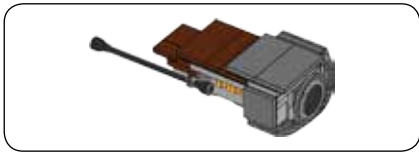




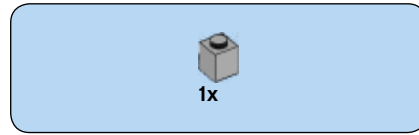
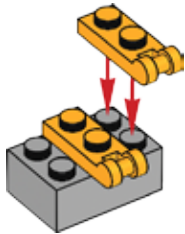
# 107



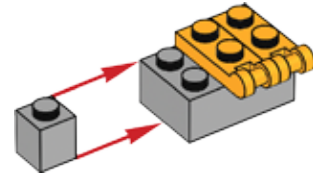




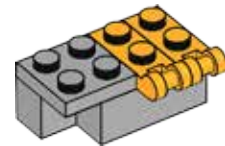
109



110



111



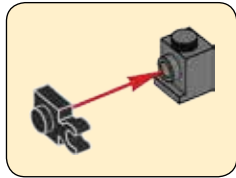


1x



1x

# 112



1x

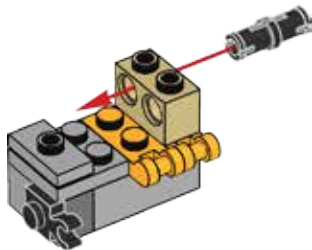


1x



1x

# 113

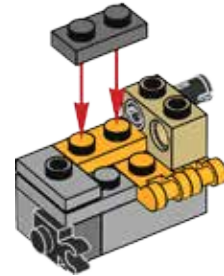


1x



1x

# 114

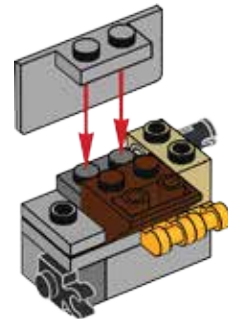


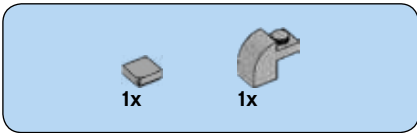
1x



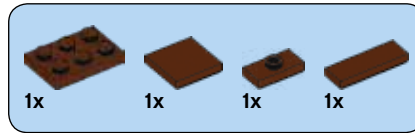
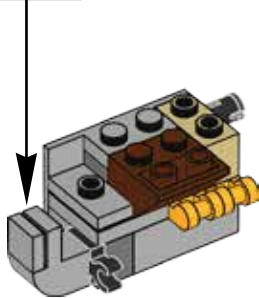
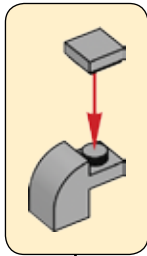
1x

# 115

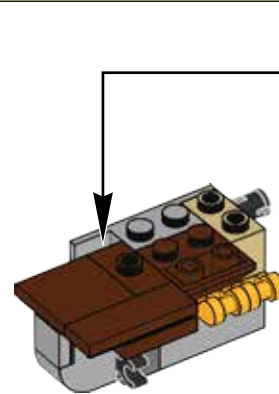


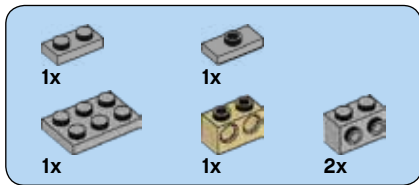


# 116

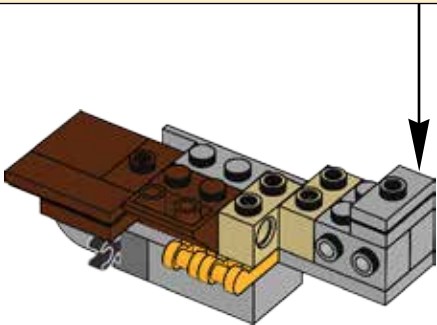
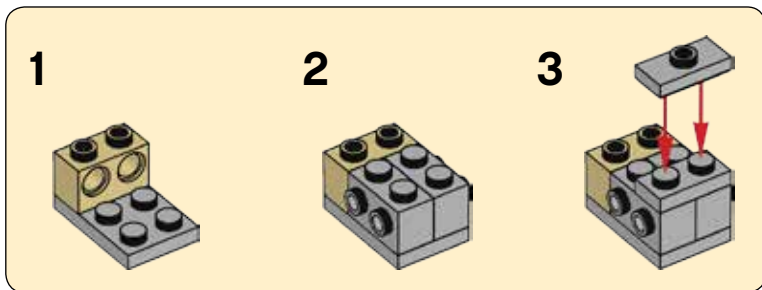


# 117

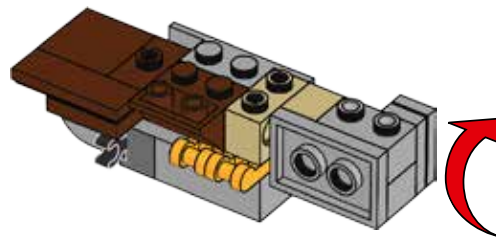




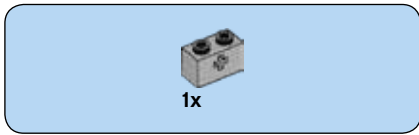
# 118



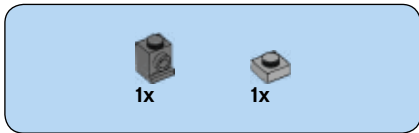
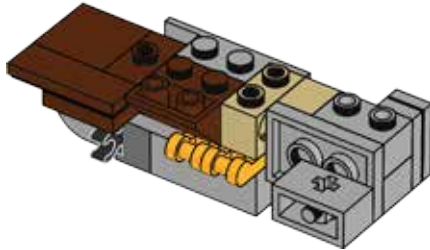
# 119



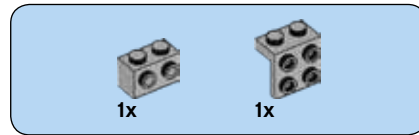
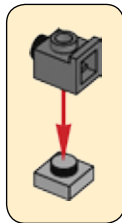
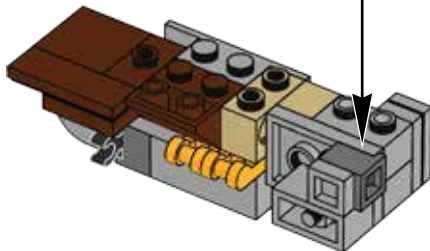




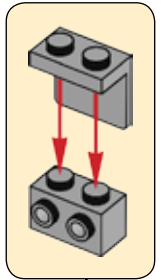
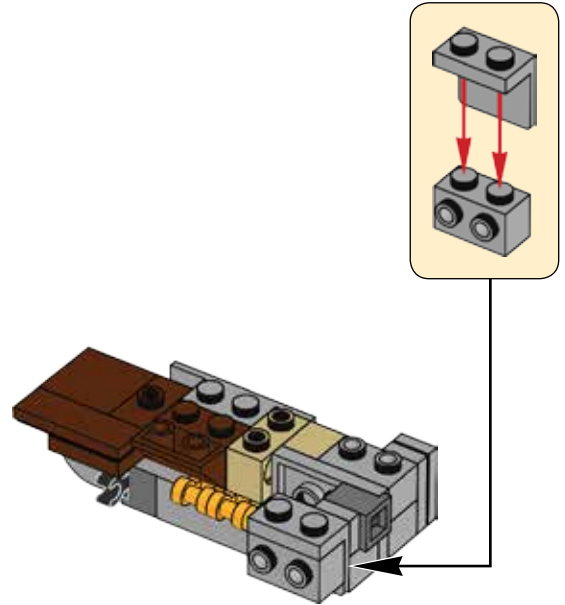
# 120

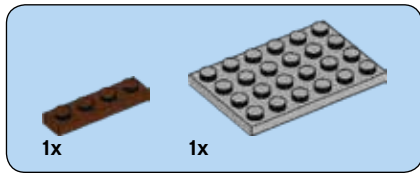


# 121

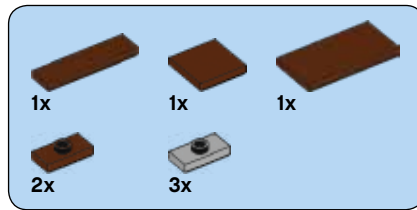
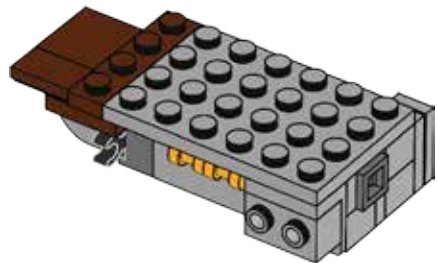


# 122

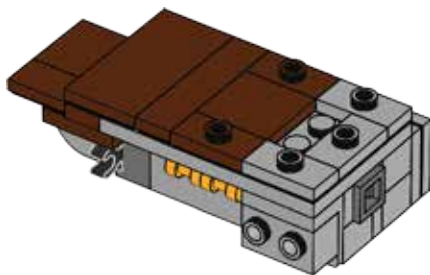


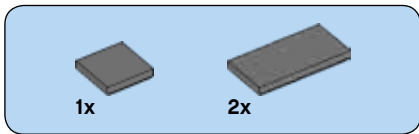


# 123

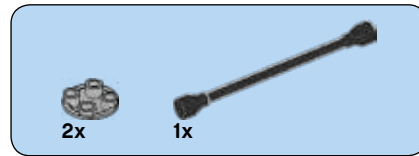
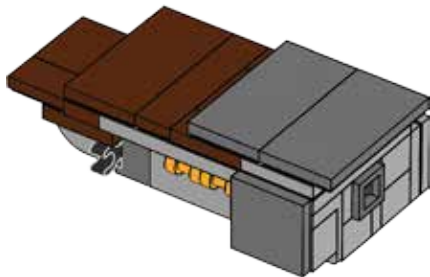


# 124

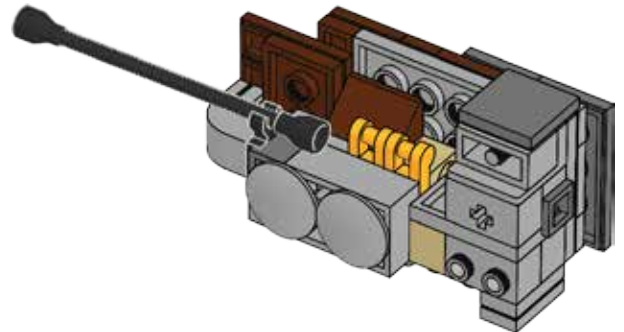
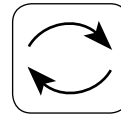


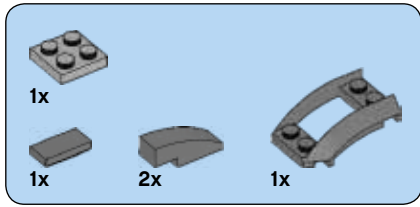


# 125

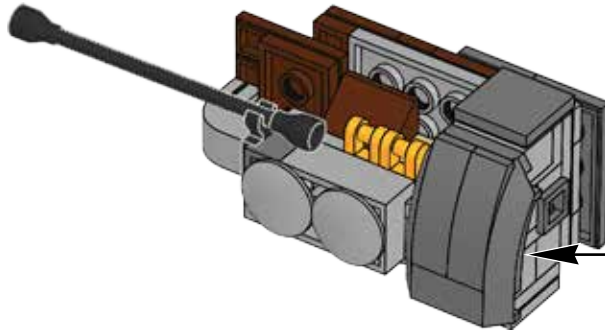
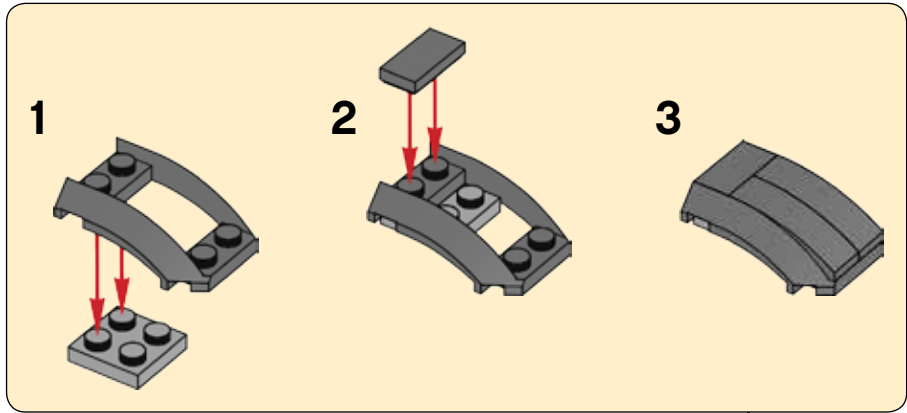


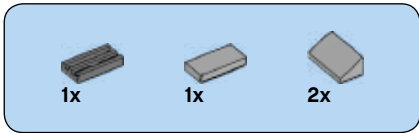
# 126



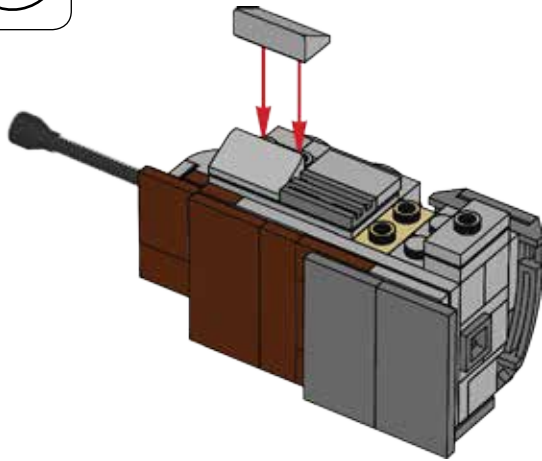
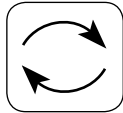


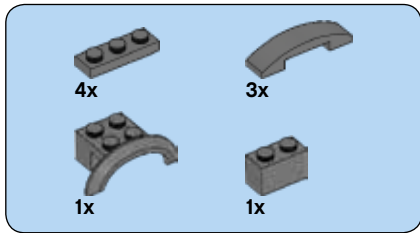
# 127



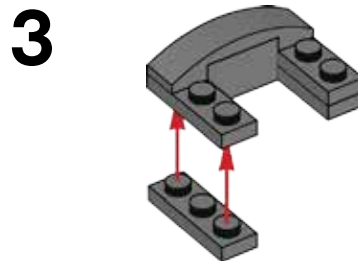
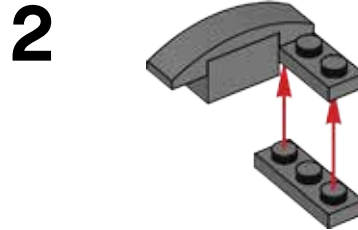
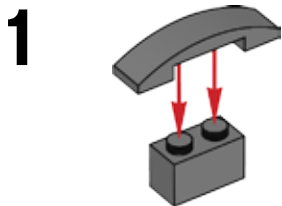


# 128

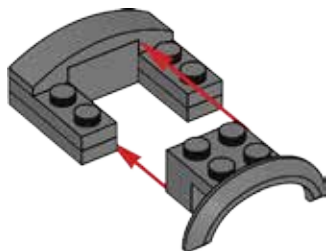




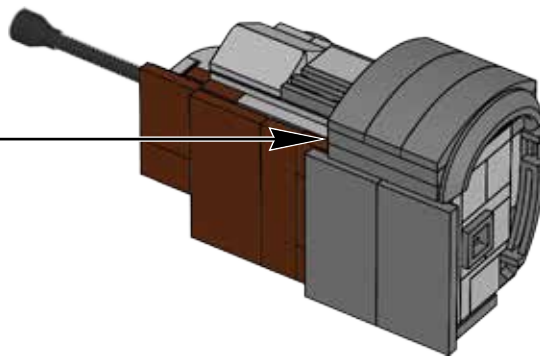
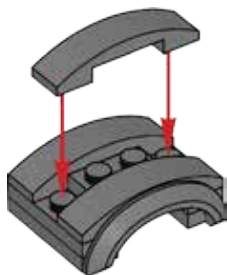
# 129



4

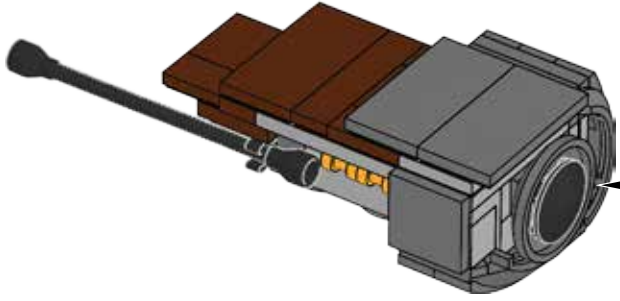
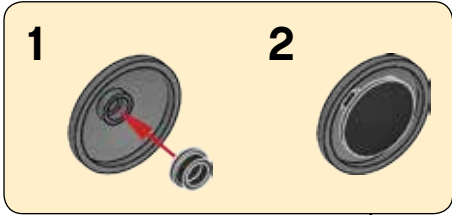
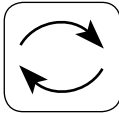


5



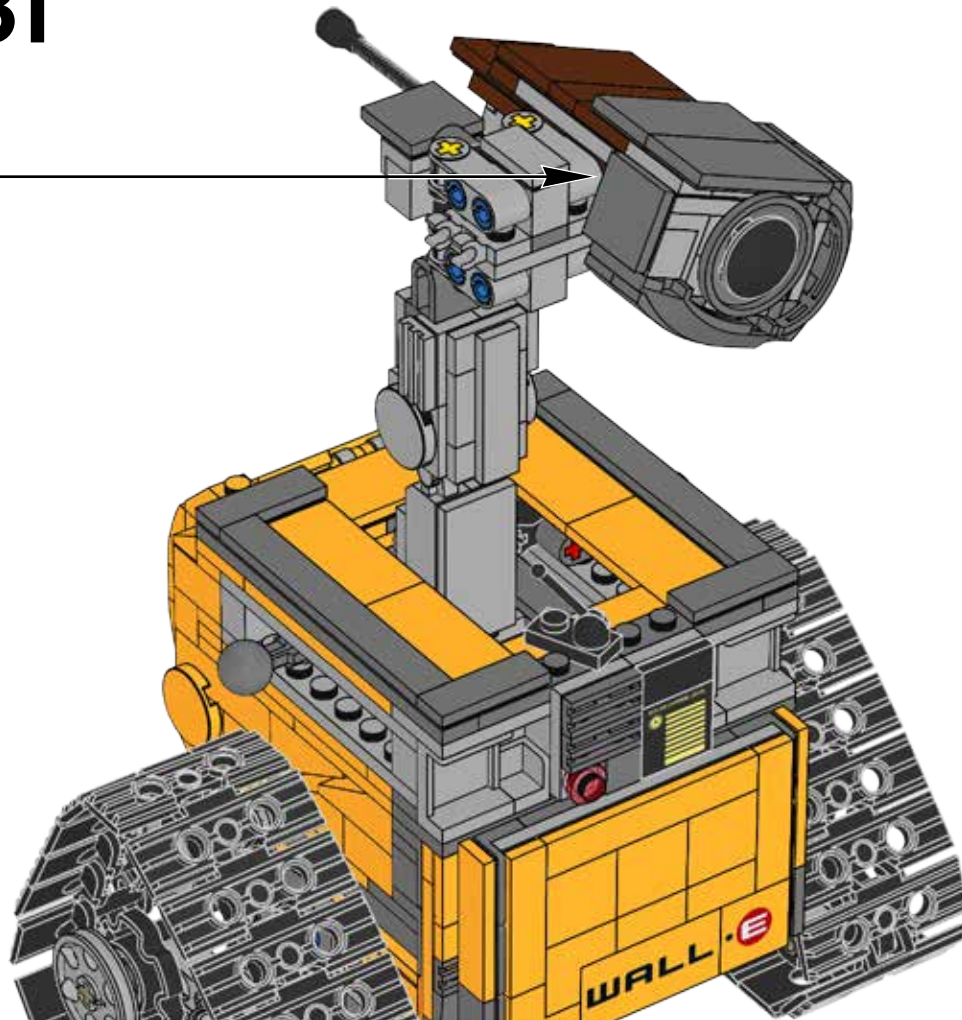


# 130



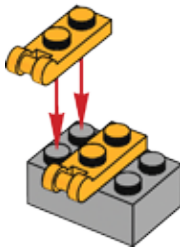


# 131

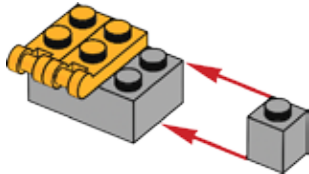




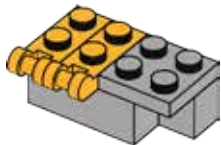
# 132

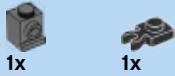


# 133

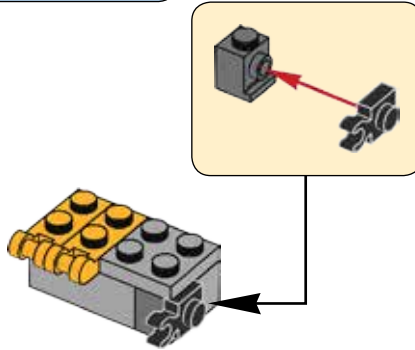


# 134

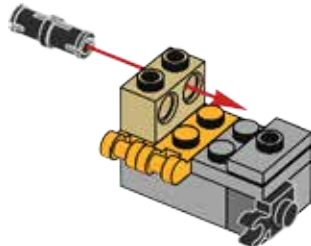




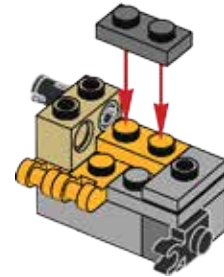
# 135



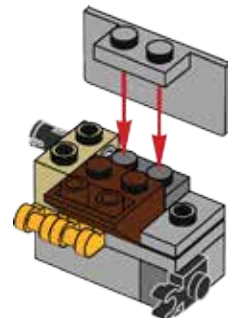
# 136

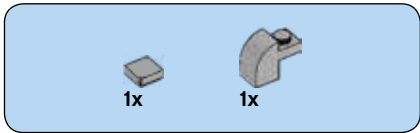


# 137

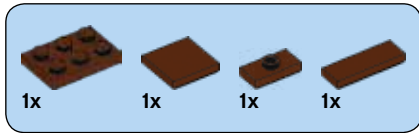
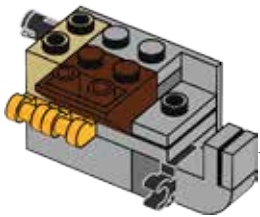
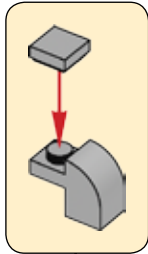


# 138

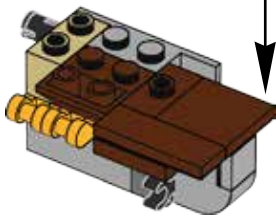


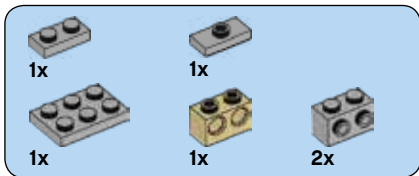


# 139

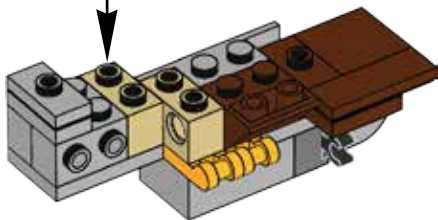
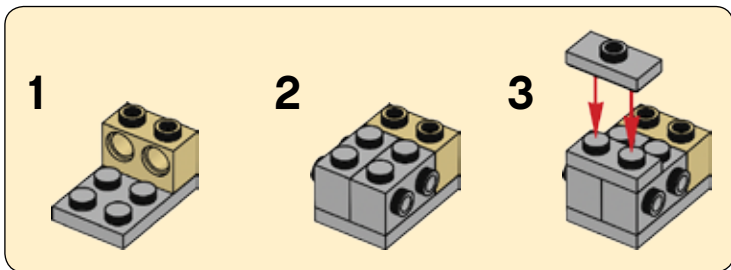


# 140

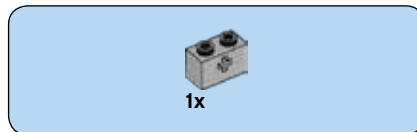
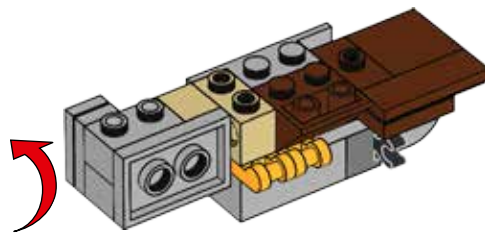




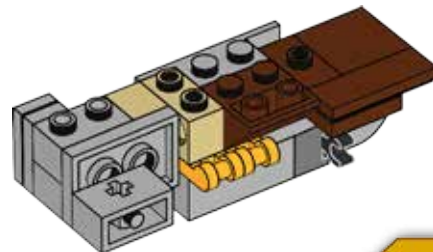
# 141



# 142



# 143



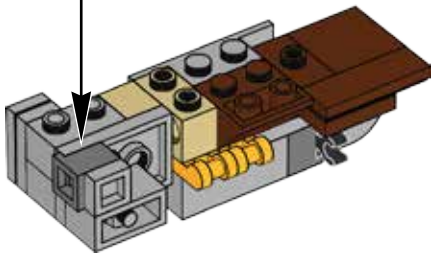
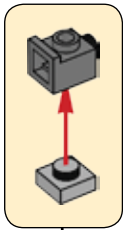


1x



1x

# 144

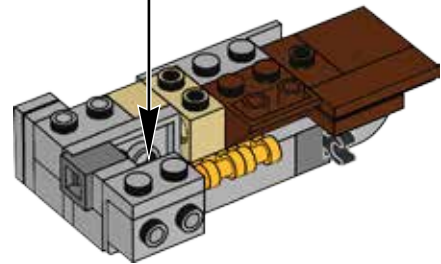
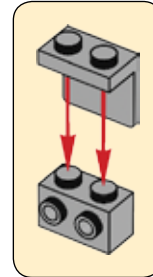


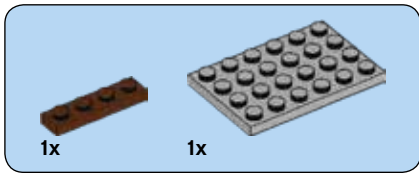
1x



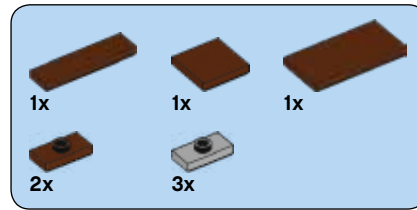
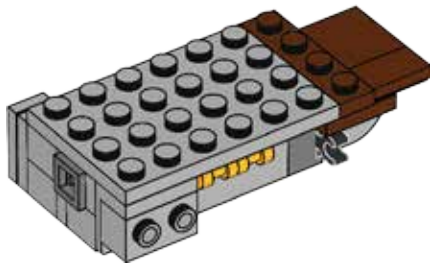
1x

# 145

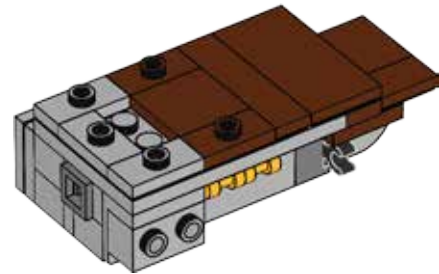


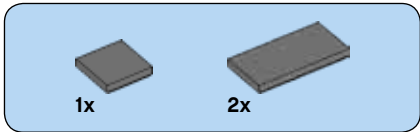


# 146

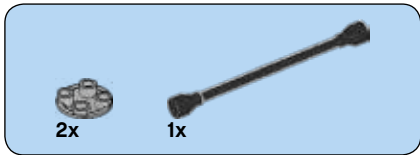
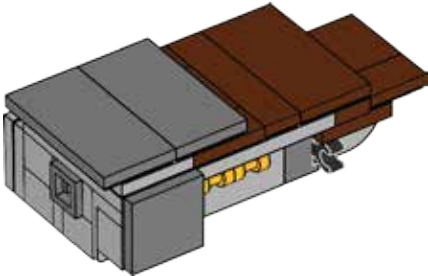


# 147

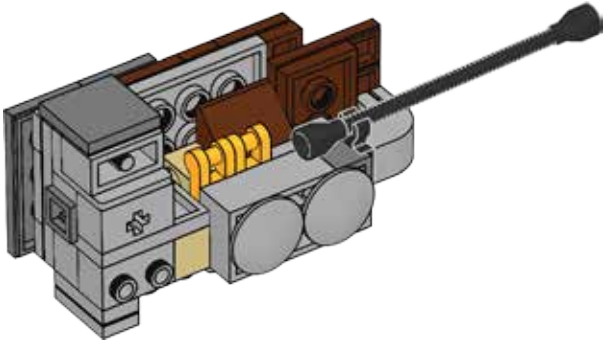
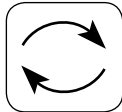




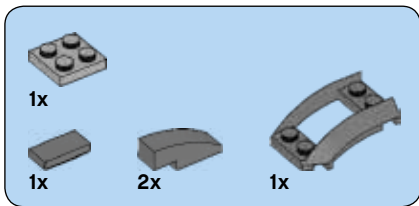
# 148



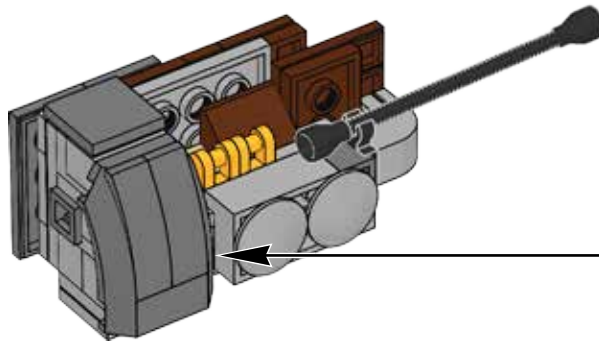
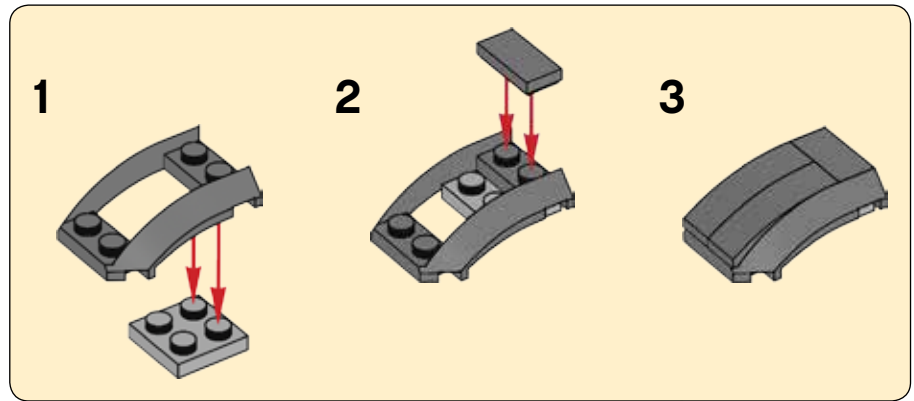
# 149

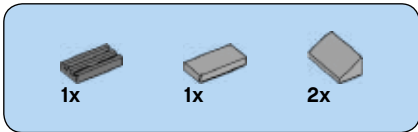




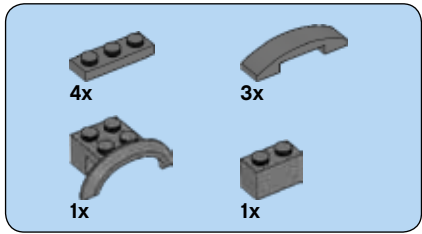
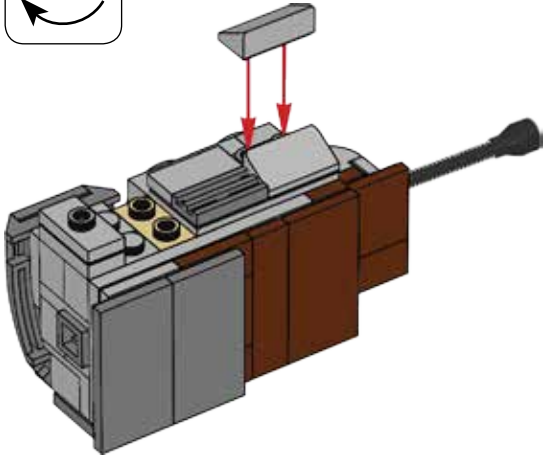
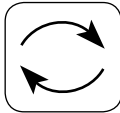


# 150



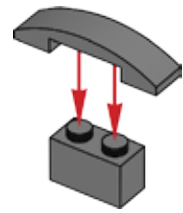


# 151

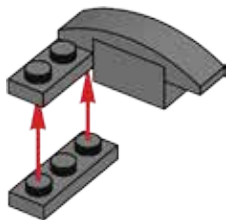


# 152

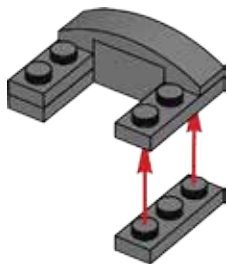
1



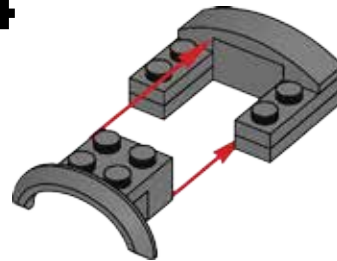
2



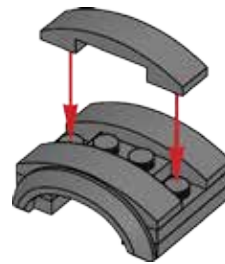
3

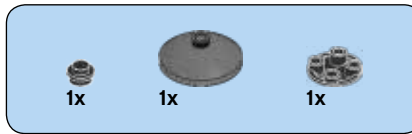
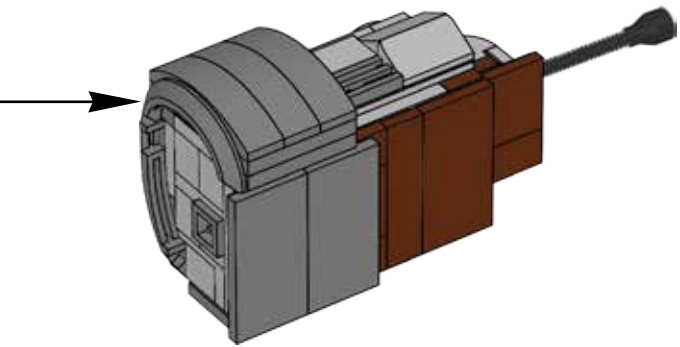


4

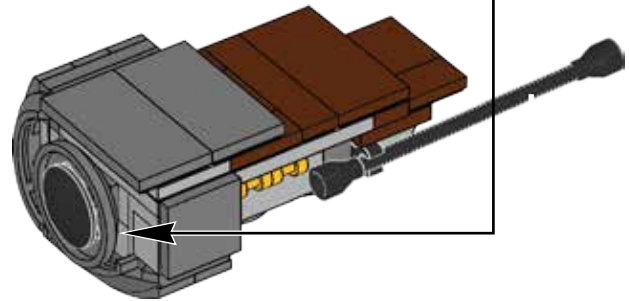
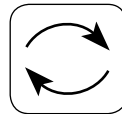
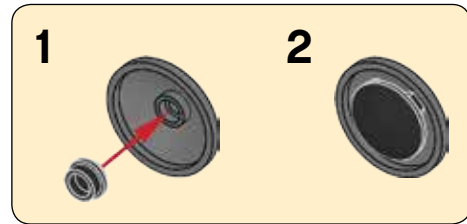


5

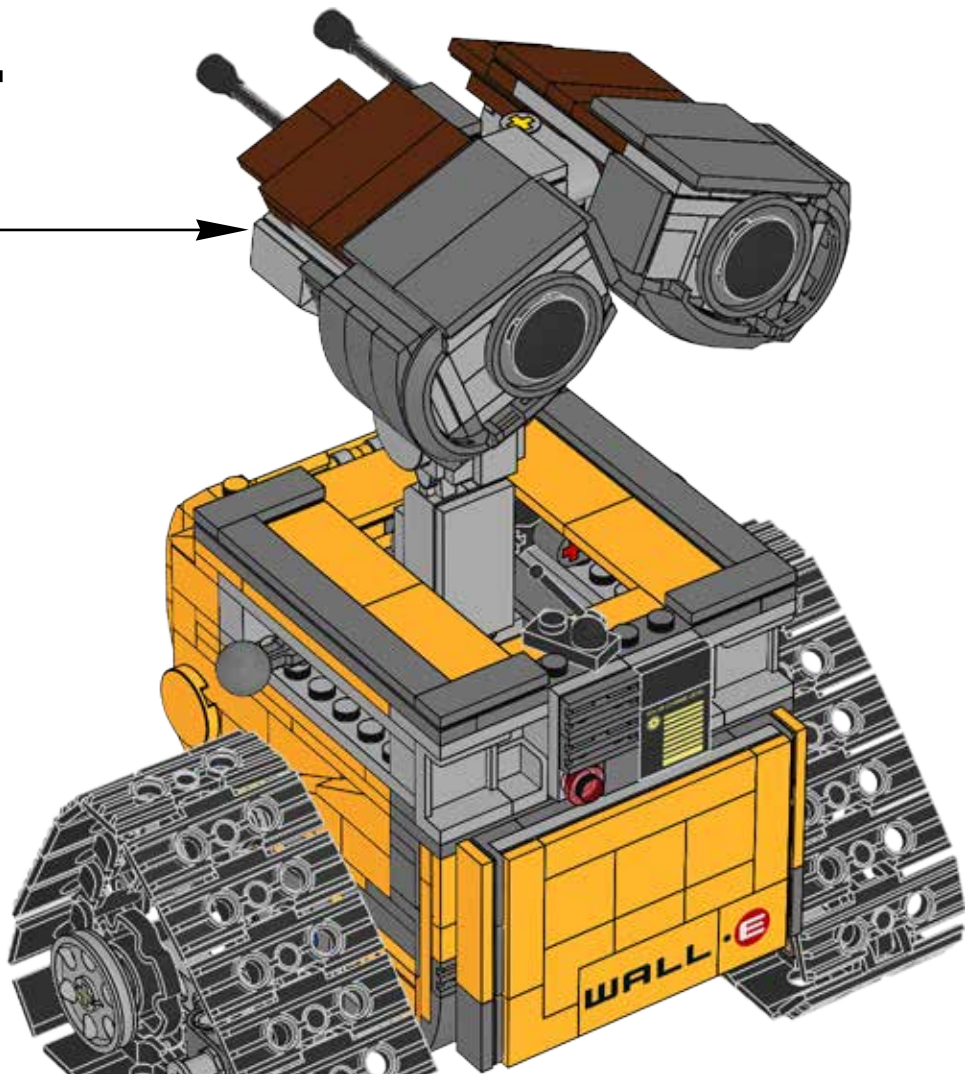




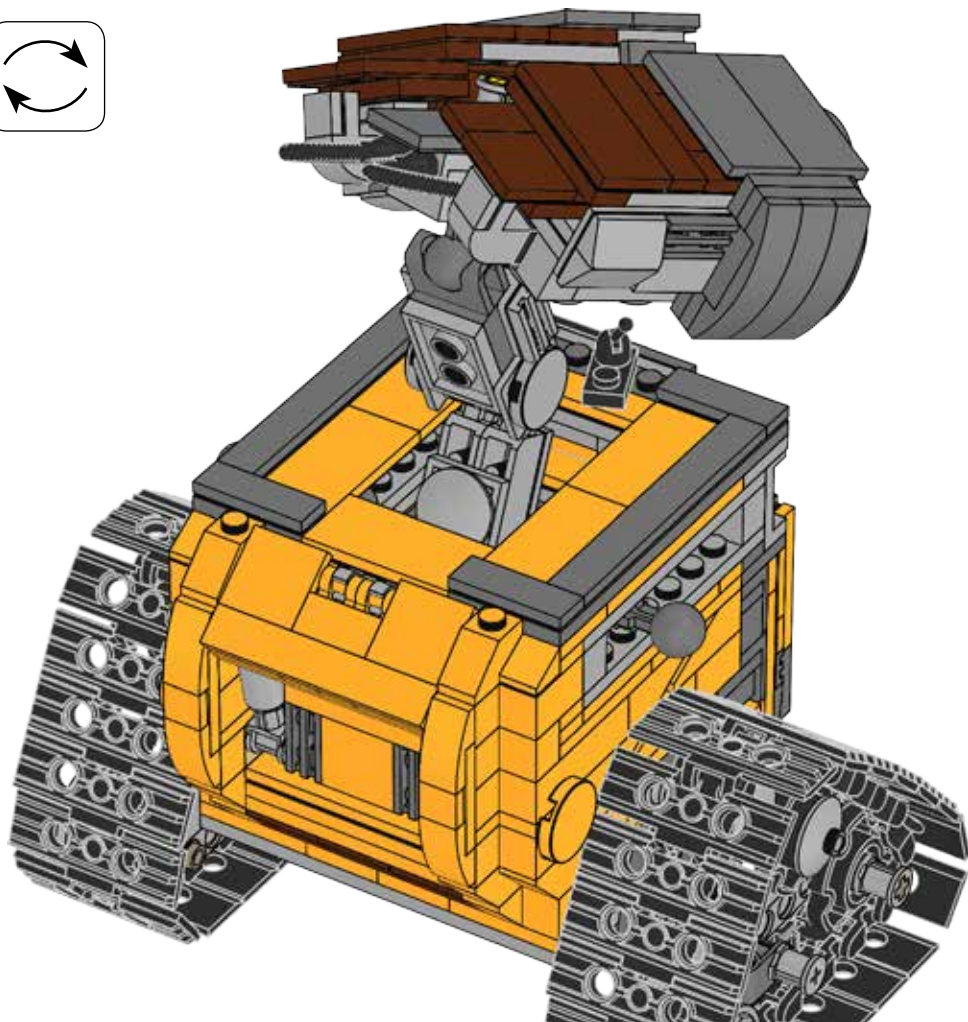
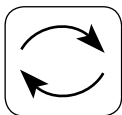
# 153

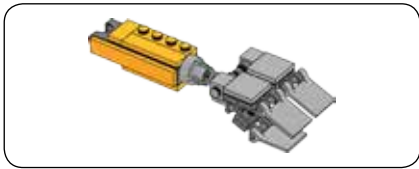


154

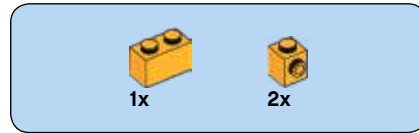


# 155

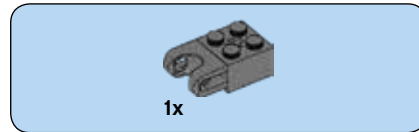
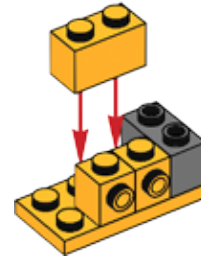




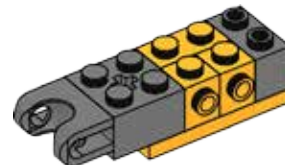
# 156

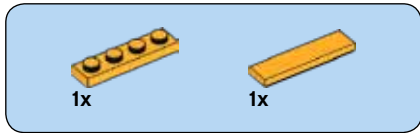


# 157

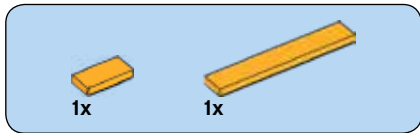
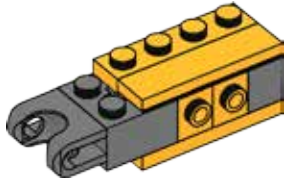


# 158

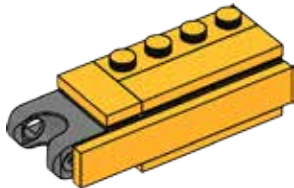




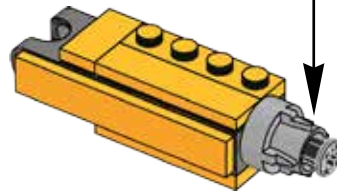
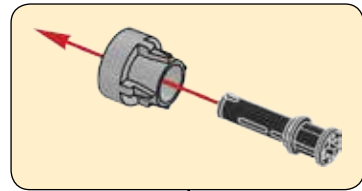
# 159



# 160



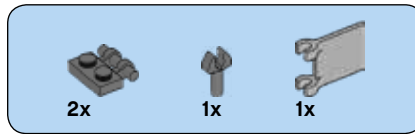
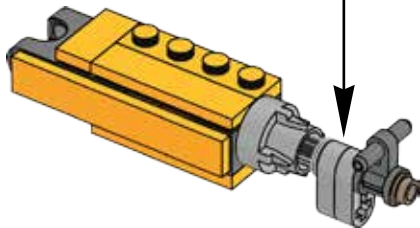
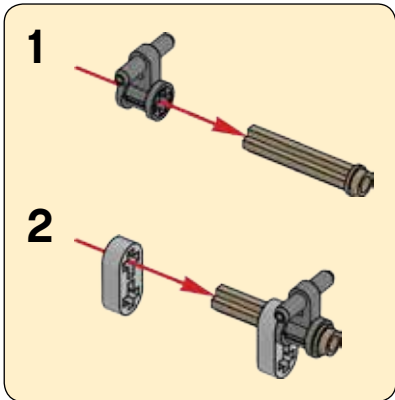
# 161



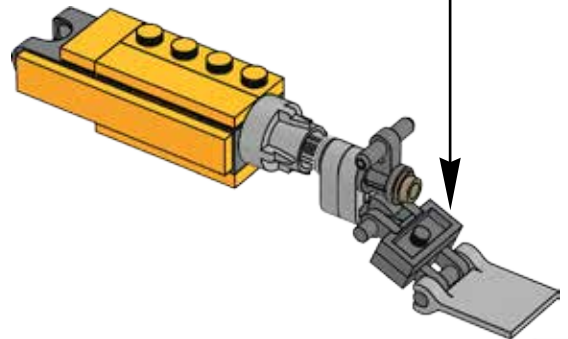
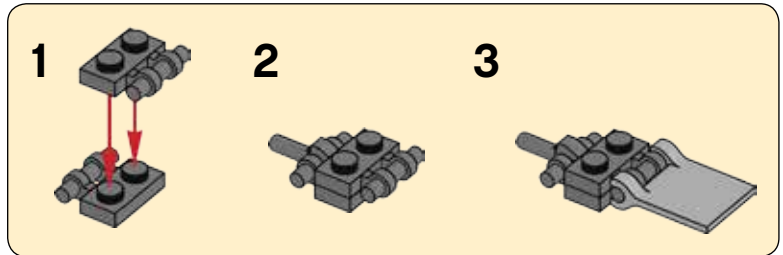


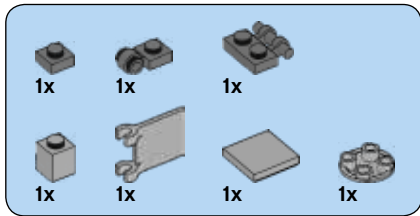


# 162

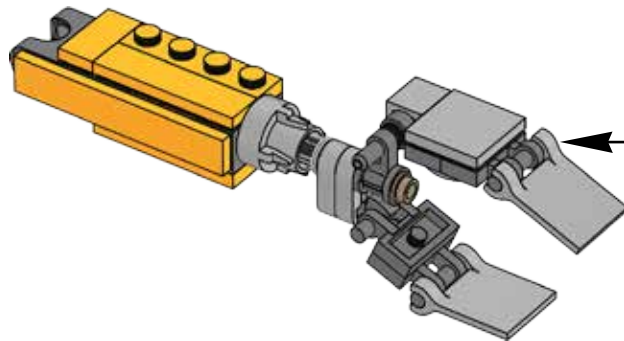
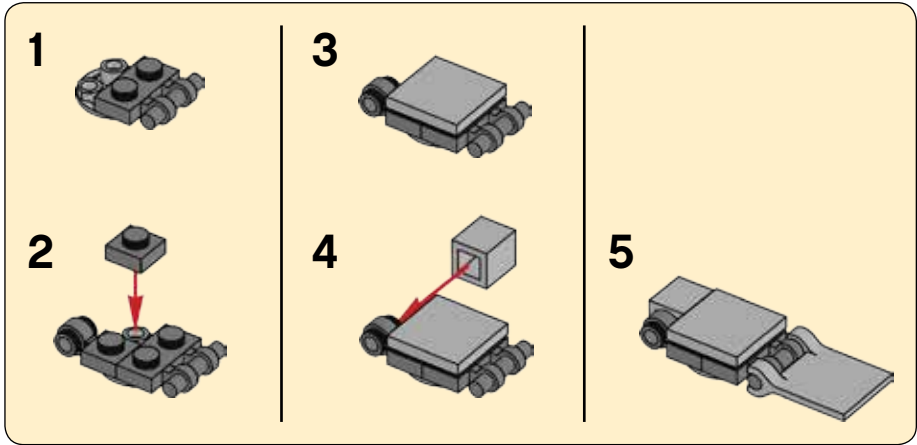


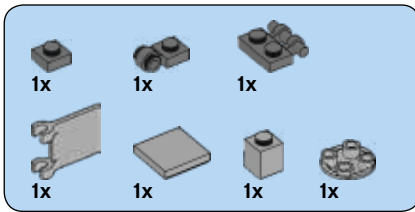
# 163



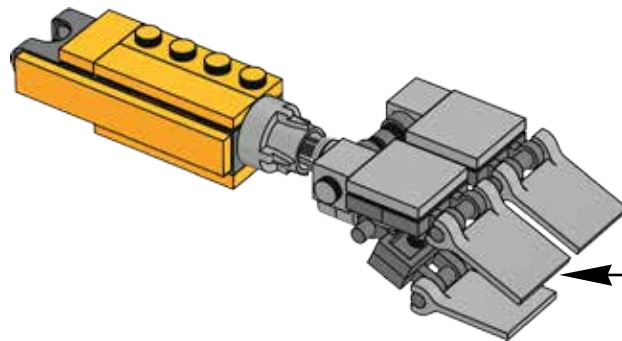
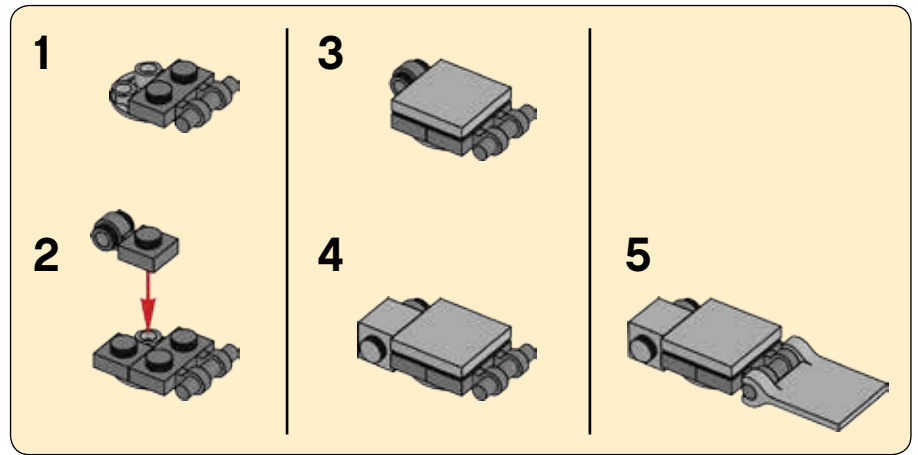


# 164

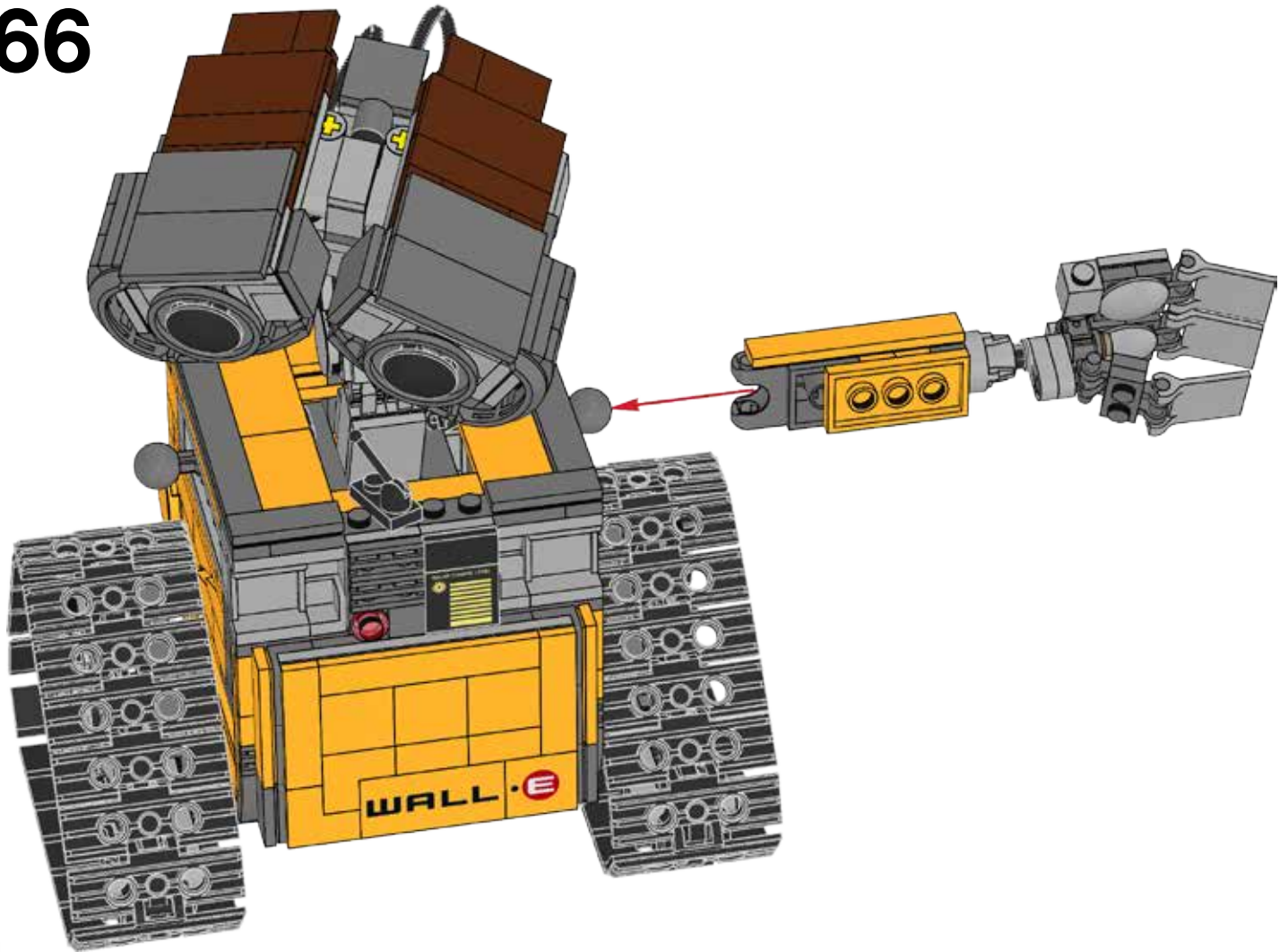


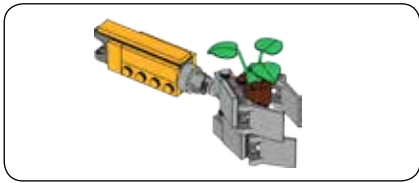


# 165

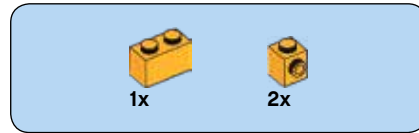
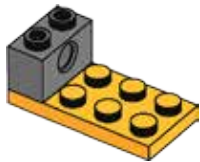


# 166

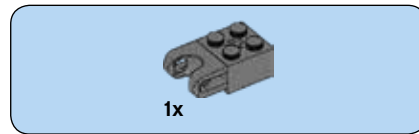
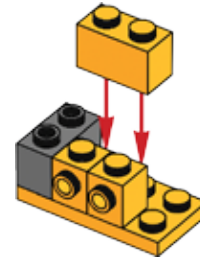




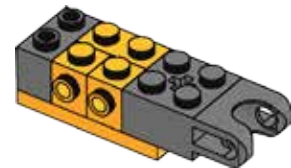
167

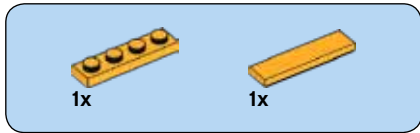


168

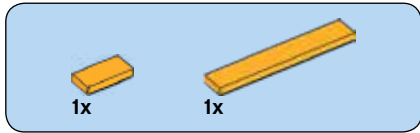
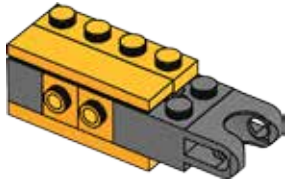


169

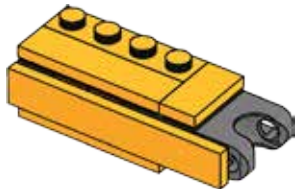




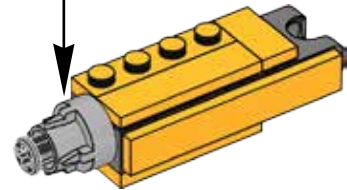
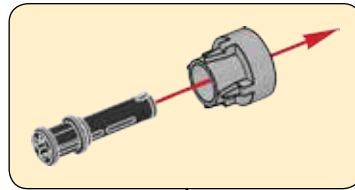
# 170



# 171

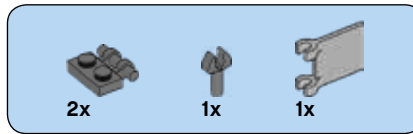
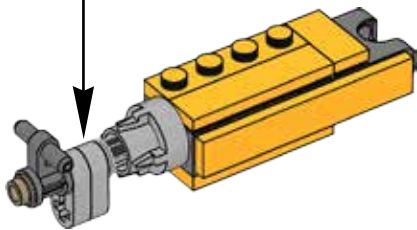
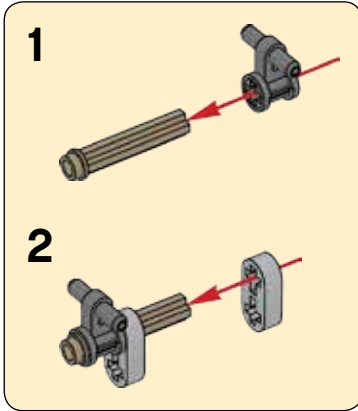


# 172

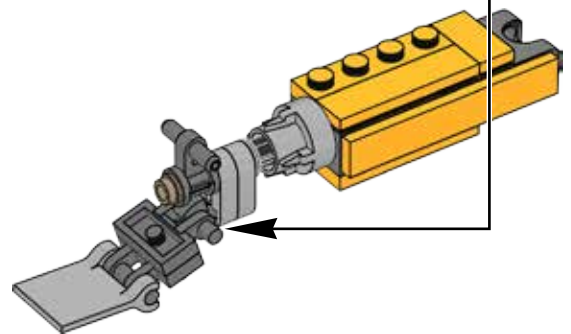
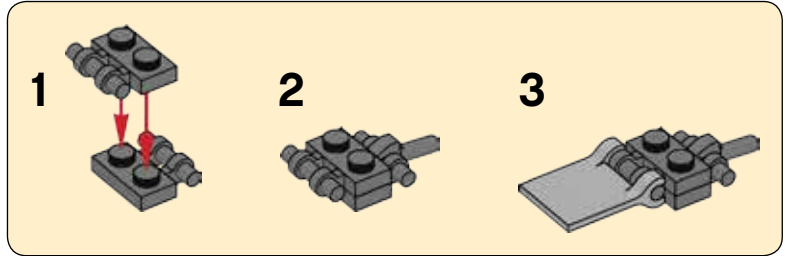


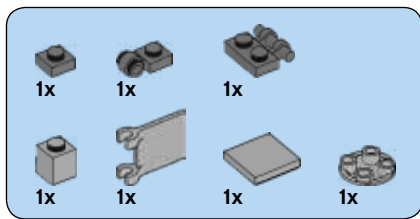


# 173

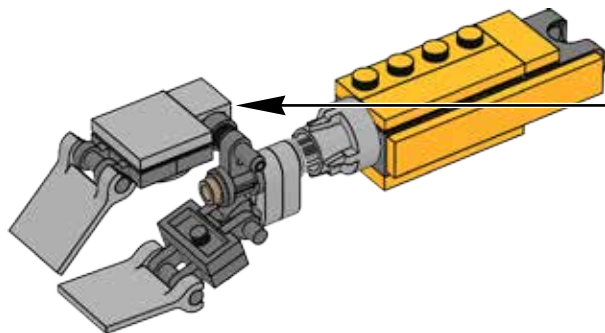
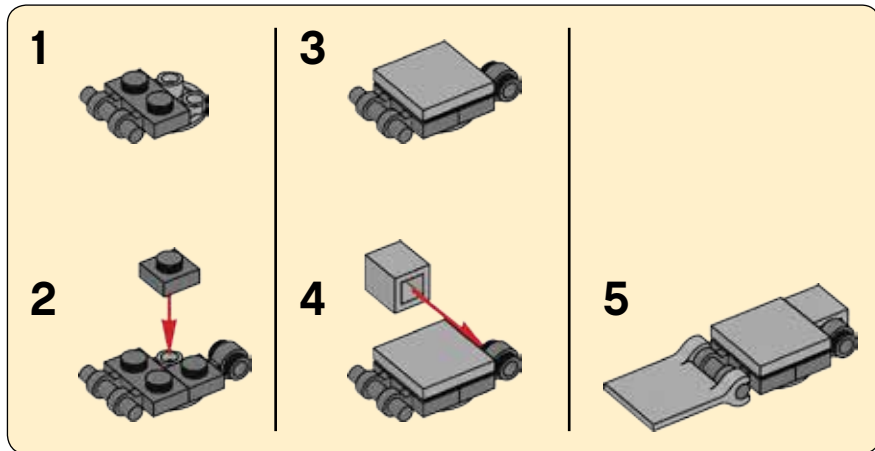


# 174

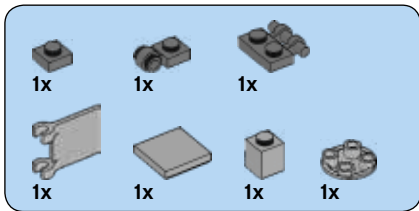




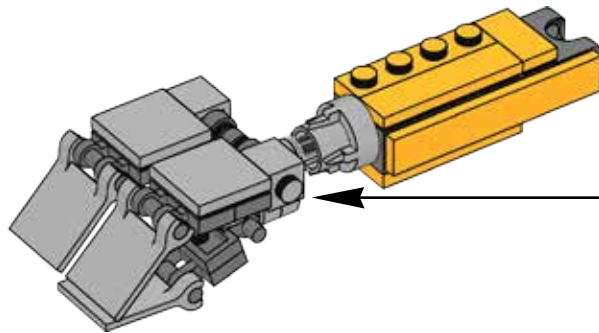
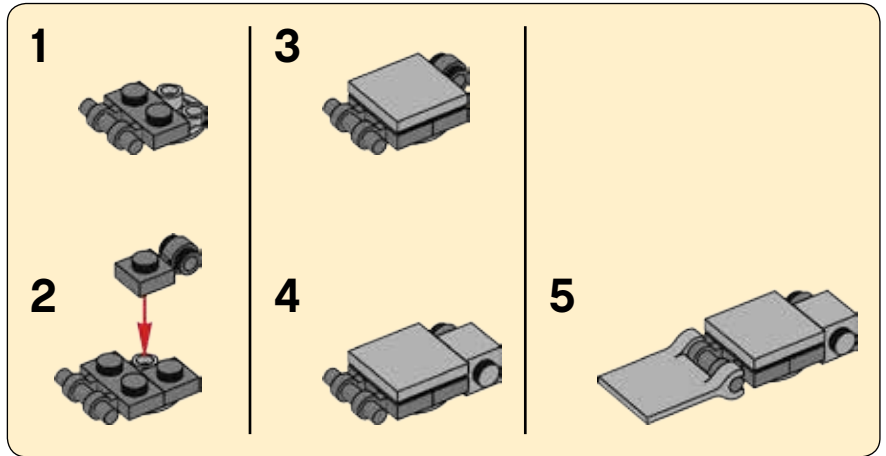
# 175

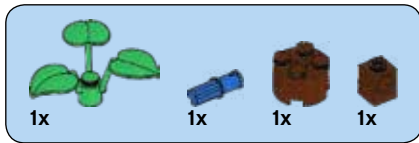




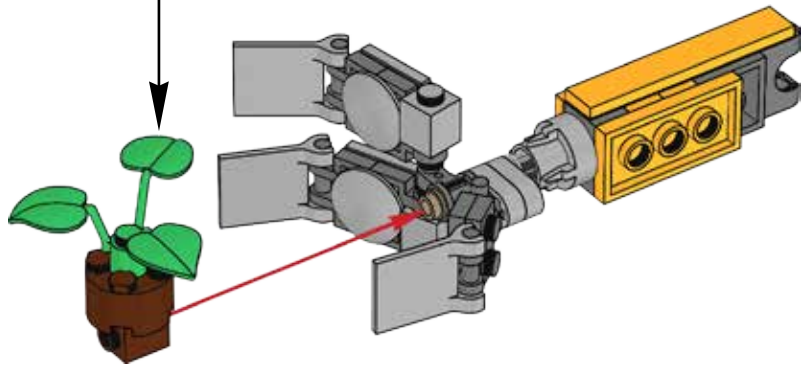


# 176

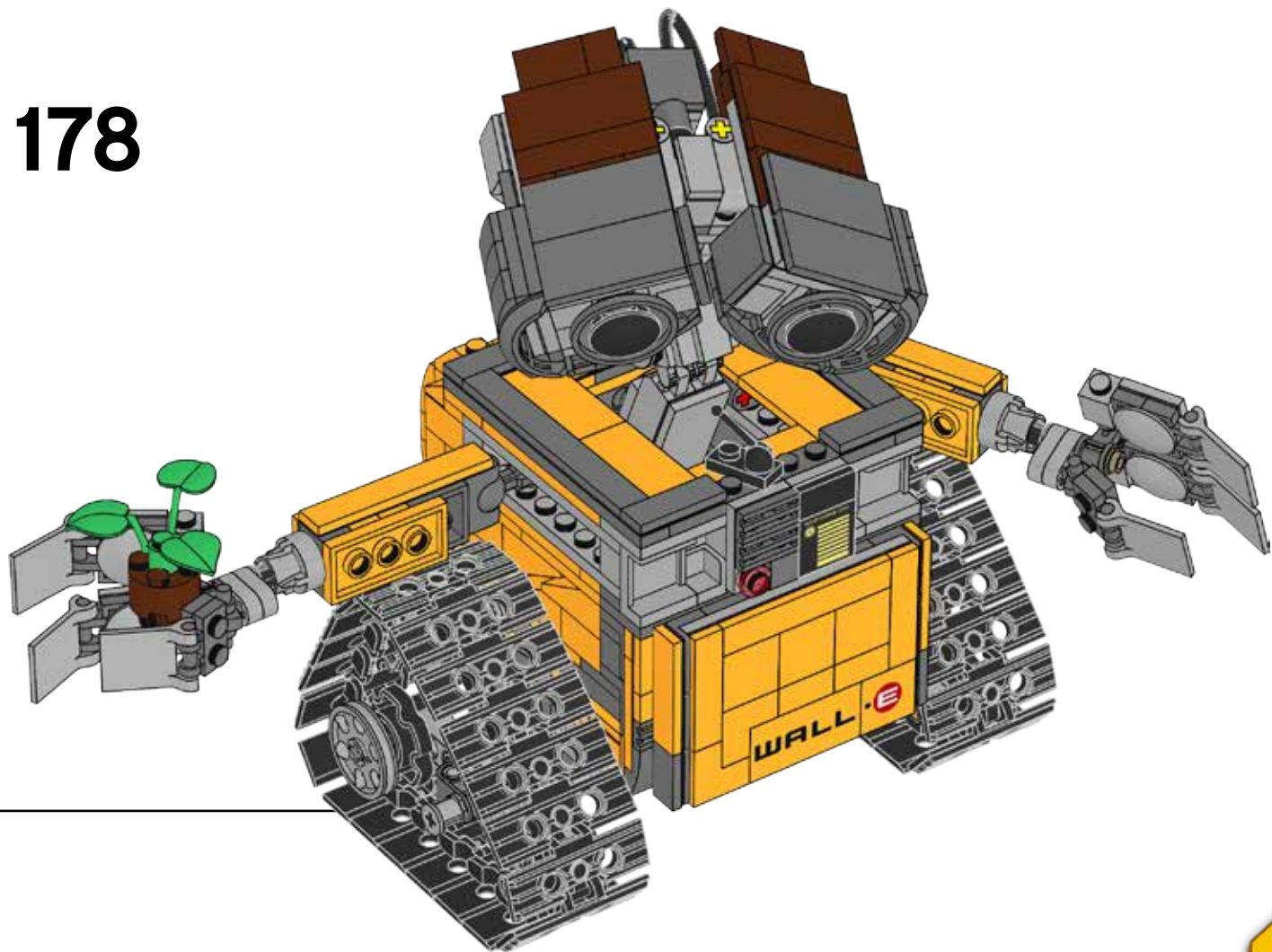




# 177



178



4x  
4666579

6x  
4523145

2x  
4142865

4x  
4143005

2x  
4583862

6x  
4206482

8x  
4514553

2x  
6130007

1x  
73587

2x  
614126

2x  
4550017

2x  
4278359

2x  
4121715

2x  
4198367

1x  
306926

1x  
302326

1x  
4614788

1x  
4140430

1x  
6132323

2x  
4265484

8x  
4662228

1x  
6052126

4x  
4140801

2x  
370526

40x  
6014648

4x  
366626

2x  
346026

2x  
4558850

2x  
370726

1x  
4106895

3x  
3005741

2x  
6061676

1x  
4654448

10x  
6031821

6x  
6073040

2x  
6023173

12x  
6092035

4x  
6065504

2x  
6131589

6x  
6136455

4x  
6099728

10x  
6003003

13x  
6028736

8x  
4622062

2x  
6023157

6x  
6020147

2x  
6003033

1x  
6132324

2x  
6099717

14x  
6034175

6x  
6097507

4x  
6131586

4x  
6073042

2x  
6061688

4x  
6131583

3x  
6097503

7x  
6072668

4x  
6003004

7x  
6020073

1x  
6132325

6x  
4621543

8x  
6097511

7x  
4654129

6x  
6020074

9x  
6097509

1x  
4620075

1x  
4211166

6x  
6092590

4x  
4271949

5x  
4211221

2x  
6100769

2x  
4211189

2x  
4211190

2x  
4211194

2x  
4579690

4x  
4650260

6x  
4211573

2x  
4211483

5x  
4211622

8x  
4211389

2x  
4211399

2x  
4211415

2x  
4215513

2x  
4278756

4x  
4211741

4x  
4568637

2x  
6052200

9x  
4278273

4x  
4211512

2x  
4211553

2x  
4526985

4x  
4593679

7x  
4233493

12x  
6066097

2x  
4211519

2x  
4211398

2x  
4211541

3x  
4211414

6x  
6015344

4x  
6117967

3x  
4556157

6x  
6011817

2x  
4494222

1x 6126082  
 4x 4211779  
 9x 4211397  
 4x 4211413  
 2x 4211349  
 2x 4211694  
 2x 6118827  
 7x 4211396  
 2x 4211386  
 1x 4211356  
 1x 4560183  
 1x 4211444

4x 4646513  
 2x 4211695  
 2x 6028811  
 5x 4211438  
 2x 4211404  
 6x 4211406  
 2x 6102449  
 1x 4211462  
 2x 4211402  
 1x 4211408

3x 4654582  
 2x 4211350  
 2x 4289542  
 4x 4210719  
 2x 4504378  
 4x 4211044  
 1x 4210848  
 2x 6020189  
 2x 4567887  
 4x 4632574  
 2x 4210851  
 8x 4211063  
 1x 6015356

2x 4211088  
 13x 4211111  
 8x 4210631  
 5x 4211052  
 4x 6117972  
 6x 6000606  
 8x 4210660  
 2x 4211094  
 1x 6013082  
 2x 4210635  
 2x 6071261  
 3x 4211055

2x 4210865  
 8x 4211133  
 4x 4568734  
 2x 4211104  
 4x 4246896  
 2x 4646522  
 3x 6136458  
 5x 4210725  
 2x 4211001  
 6x 4648256  
 3x 4619760

4x 4239896  
 4x 4560184  
 2x 4210686  
 2x 4294289  
 4x 4211100  
 2x 4210651  
 4x 4211008

2x 4243831  
 5x 4211002  
 3x 4257526  
 1x 4210678



**Customer Service**  
 Kundenservice  
 Service Consommateurs  
 Servicio Al Consumidor  
 LEGO.com/service or dial


 : 00800 5346 5555  
 : 1-800-422-5346



# A WHOLE UNIVERSE OF INNOVATIVE LEGO® IDEAS

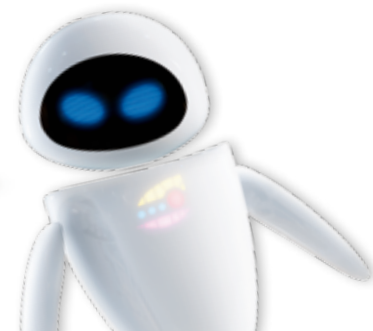
Do you have an exciting idea for a LEGO® model? Then why not make it into a LEGO Ideas project? You can share your product concept on ideas.LEGO.com and see what other people think about it.

If your project gains 10,000 supporters, it will automatically qualify for the quarterly LEGO Review. This is where we take an in-depth look at the most popular projects and carefully evaluate them to discover the idea with the most

potential. If your project makes it through the review, it will become an official LEGO product.

There are tens of thousands of active members, and thousands of product ideas on LEGO Ideas – several of which have become hit LEGO sets! So take a look, sign up, and support your favorite ideas, or even better: upload your own!

**LEGO.COM/IDEAS**



# WIN

GO TO [WWW.LEGO.COM/PRODUCTFEEDBACK](http://WWW.LEGO.COM/PRODUCTFEEDBACK) AND  
GIVE US YOUR SHORT **FEEDBACK** ABOUT THIS  
LEGO® SET FOR A CHANCE TO WIN  
A COOL LEGO PRIZE.



## LEGO.com/productfeedback

### GEWINNE



Erzähle uns auf  
[www.LEGO.com/productfeedback](http://www.LEGO.com/productfeedback)

etwas über die Erfahrungen, die du mit  
diesem LEGO® Set gemacht hast, und  
sichere dir die Chance auf einen coolen  
LEGO Preis!

### GAGNE



Rends-toi sur  
[www.LEGO.com/productfeedback](http://www.LEGO.com/productfeedback)

et donne-nous quelques commentaires  
sur ce produit LEGO® pour avoir une  
chance de gagner un prix LEGO !

### GANAN



Visita  
[www.LEGO.com/productfeedback](http://www.LEGO.com/productfeedback)

y envíanos tu opinión acerca de este set  
LEGO®. ¡Participarás en el sorteo de un  
premio LEGO!

### 获取奖品



登录  
[www.LEGO.com/productfeedback](http://www.LEGO.com/productfeedback)

给出关于此乐高®套装的简短反馈，  
就有机会获得炫酷乐高奖品

LEGO and the LEGO logo are trademarks of the LEGO Group. ©2015 The LEGO Group.

© Disney/Pixar

6162870