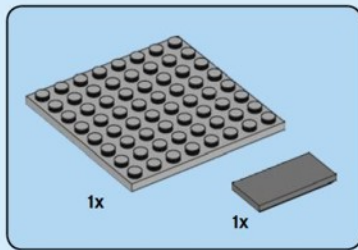
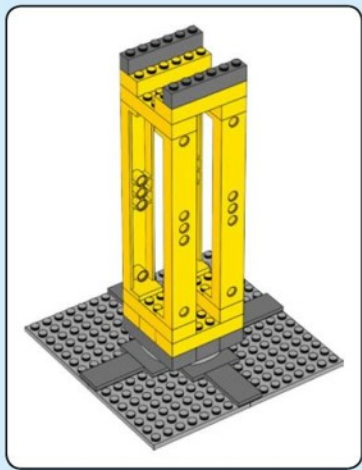


45810

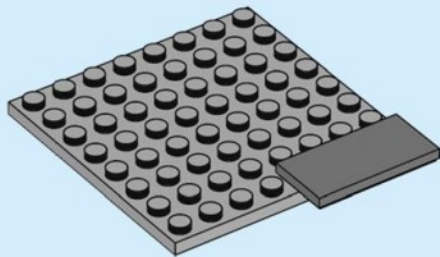


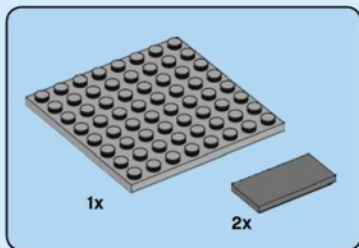
BOOMTOWN
BUILD



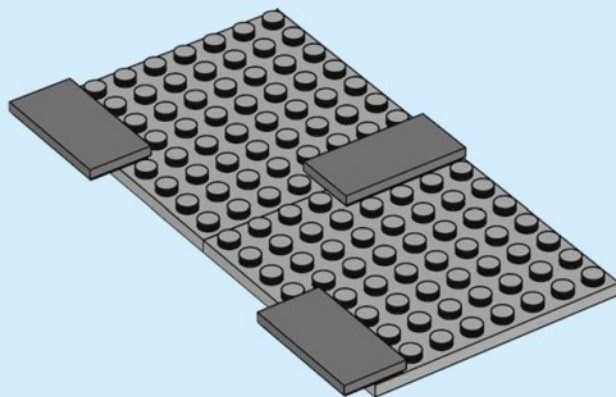


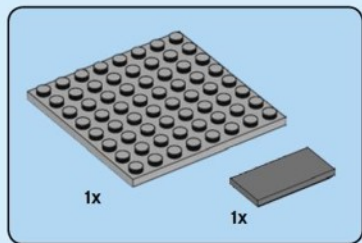
1



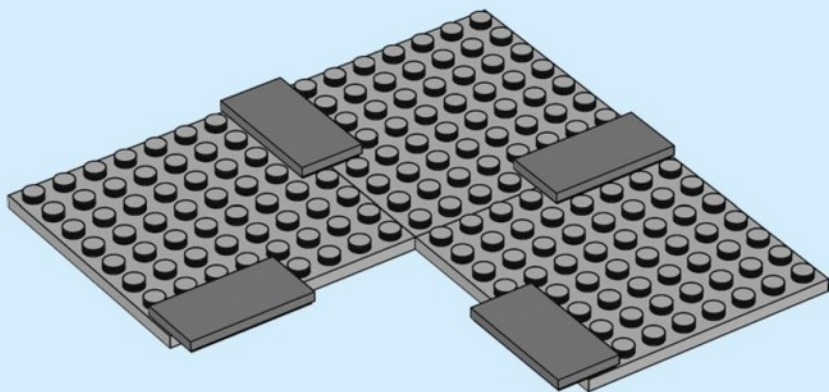


2

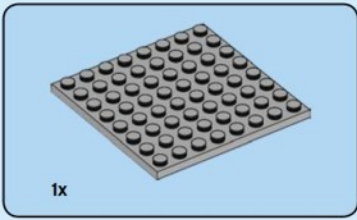




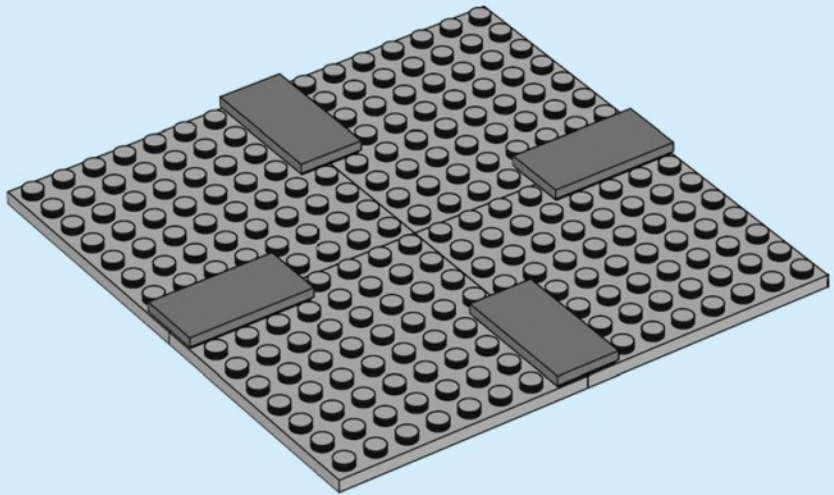
3

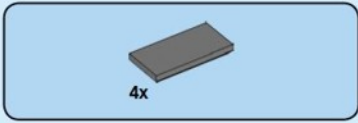


4

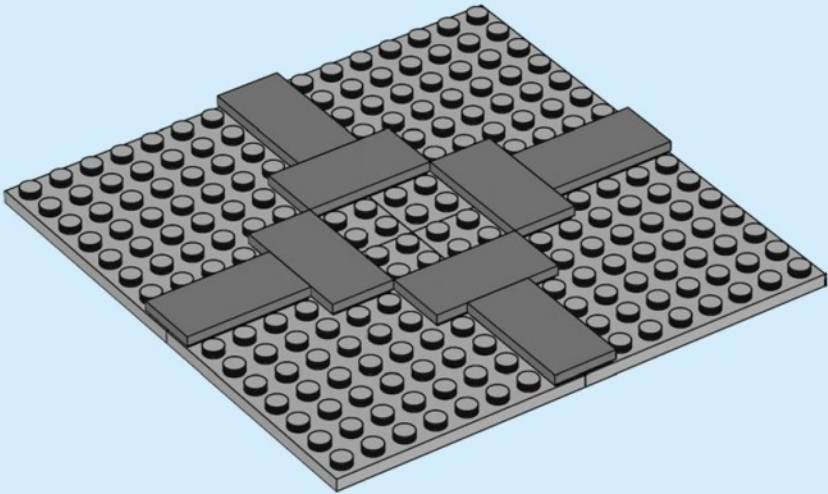


4

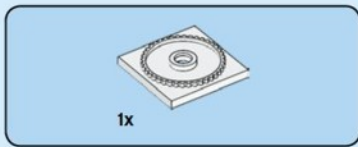




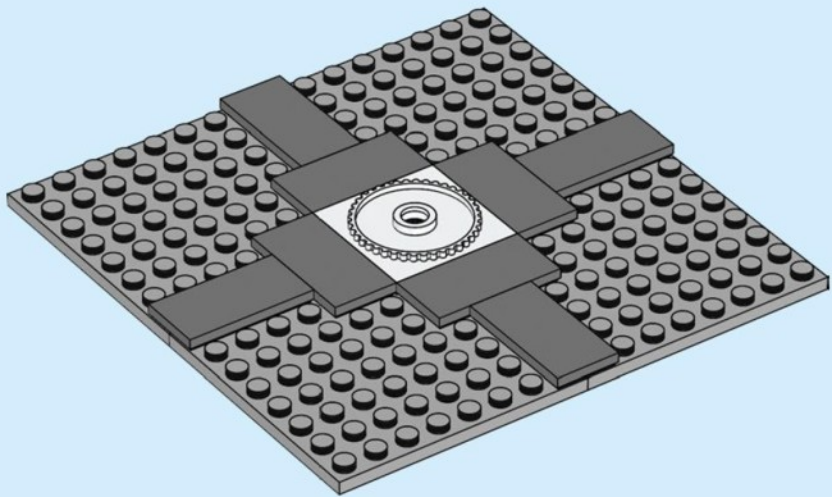
5

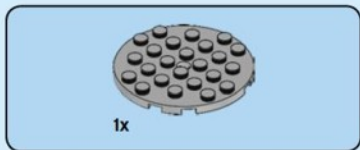


6

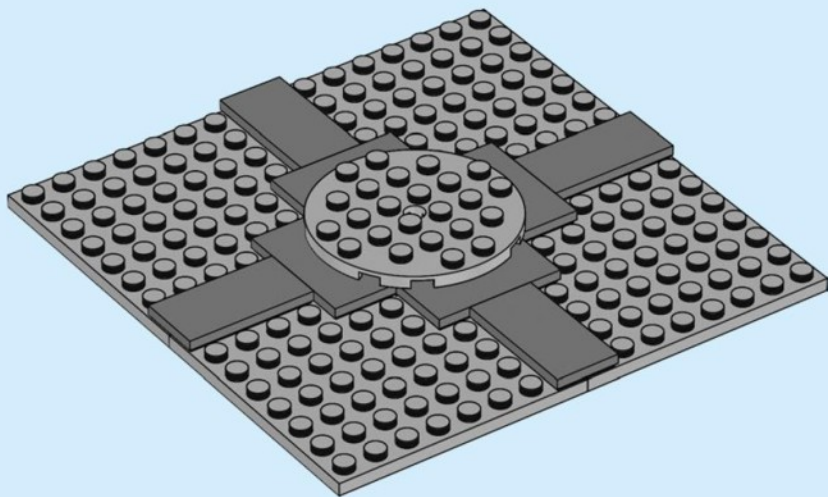


6





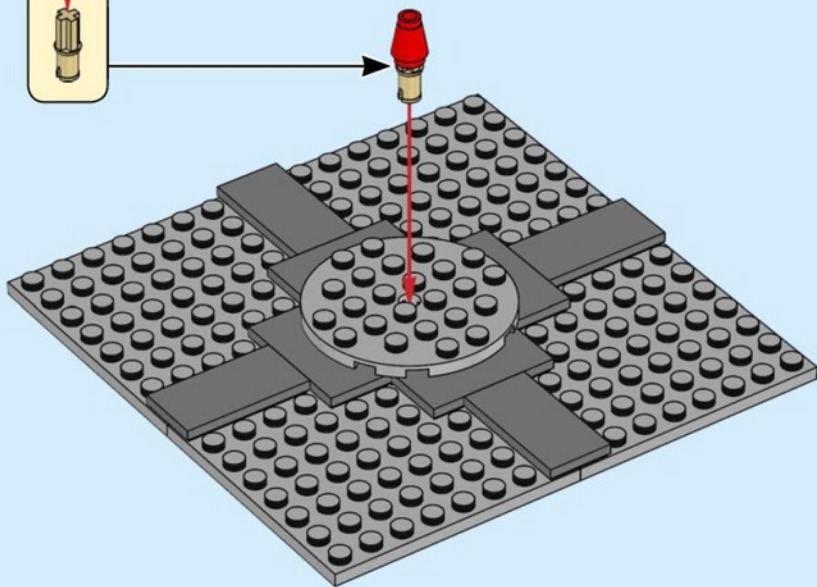
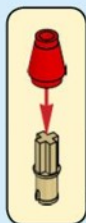
7

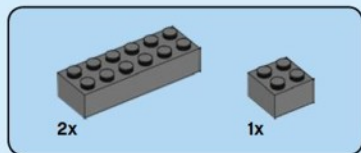


8

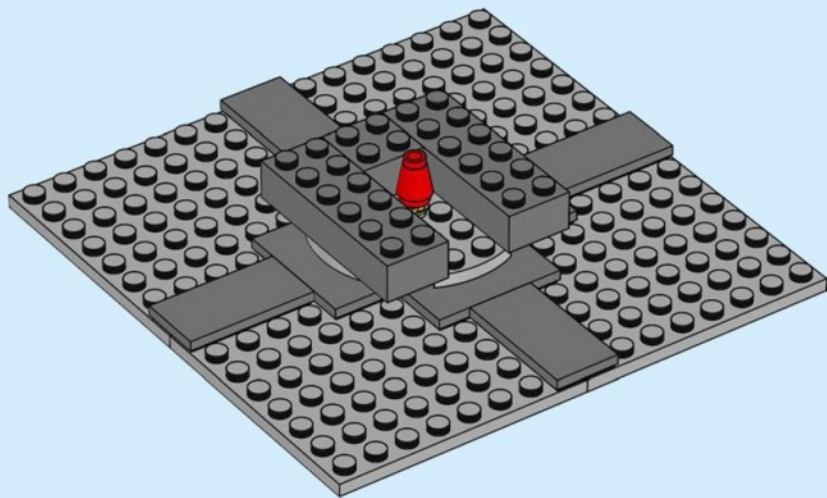


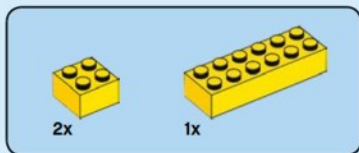
8



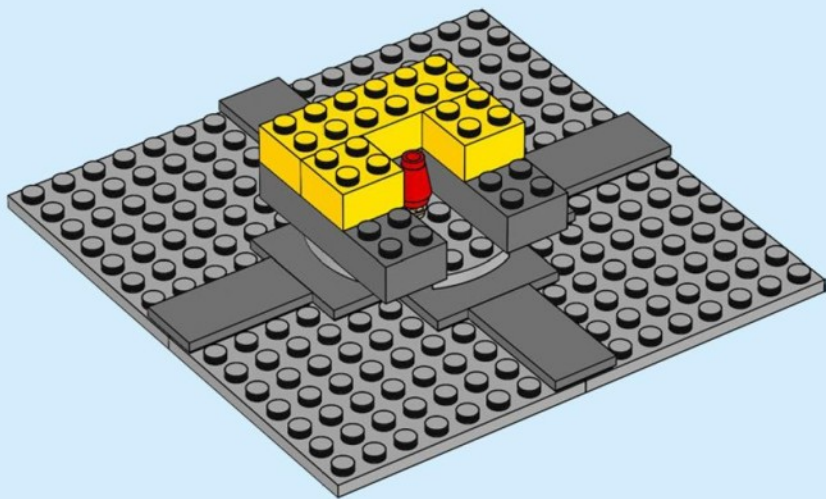


9





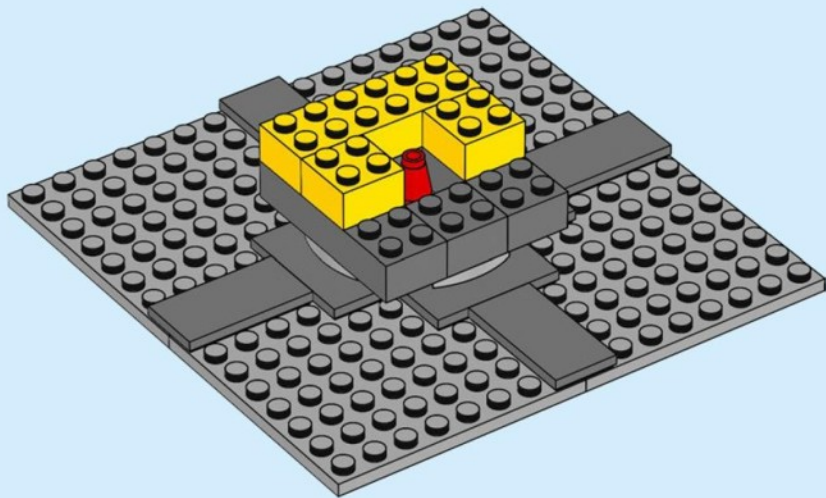
10



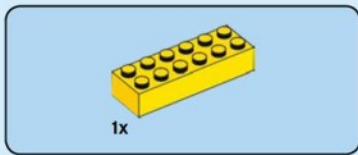


1x

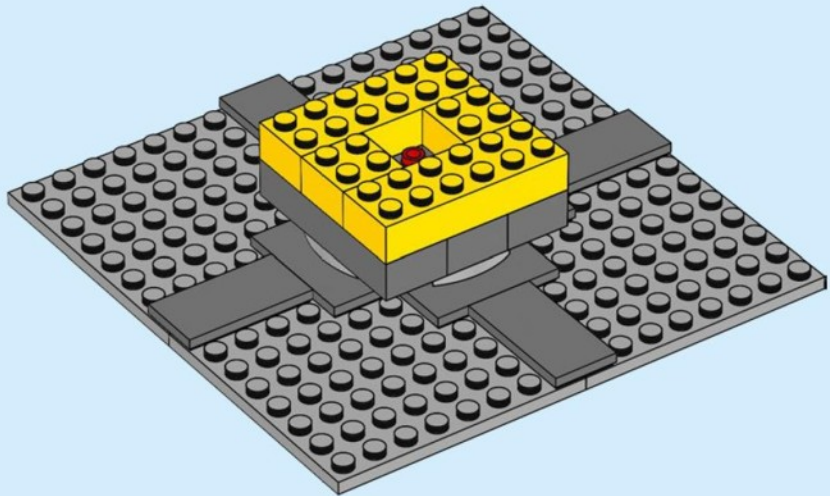
11

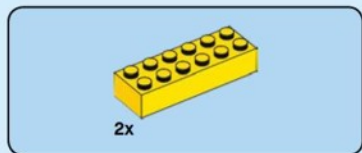


12

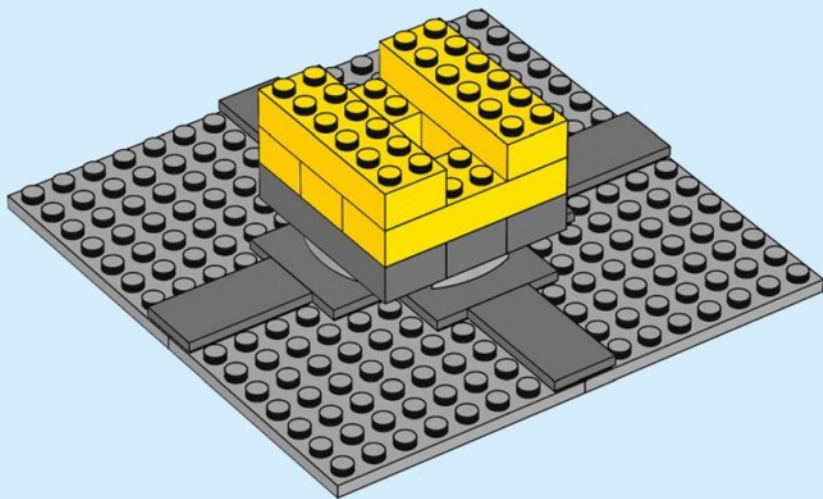


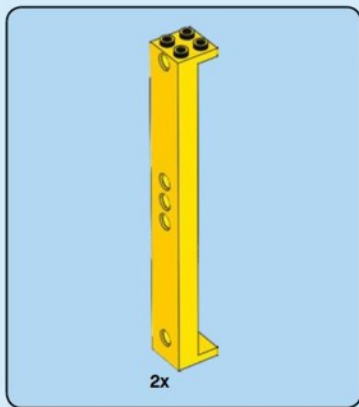
12



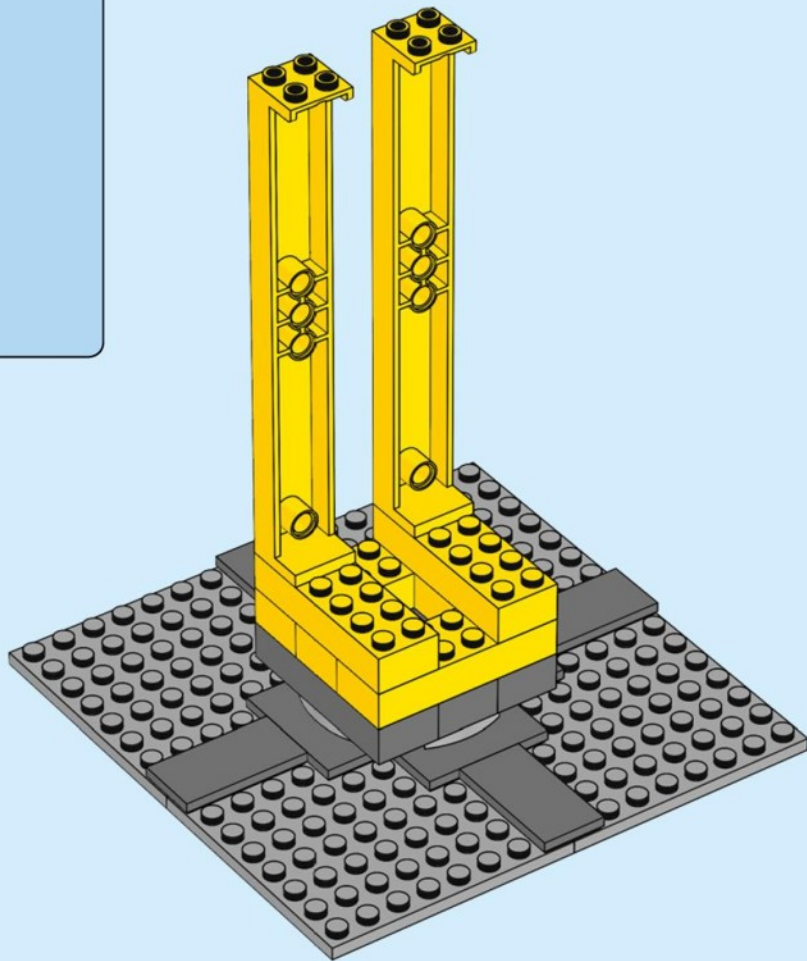


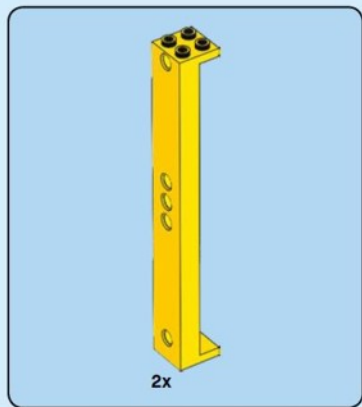
13



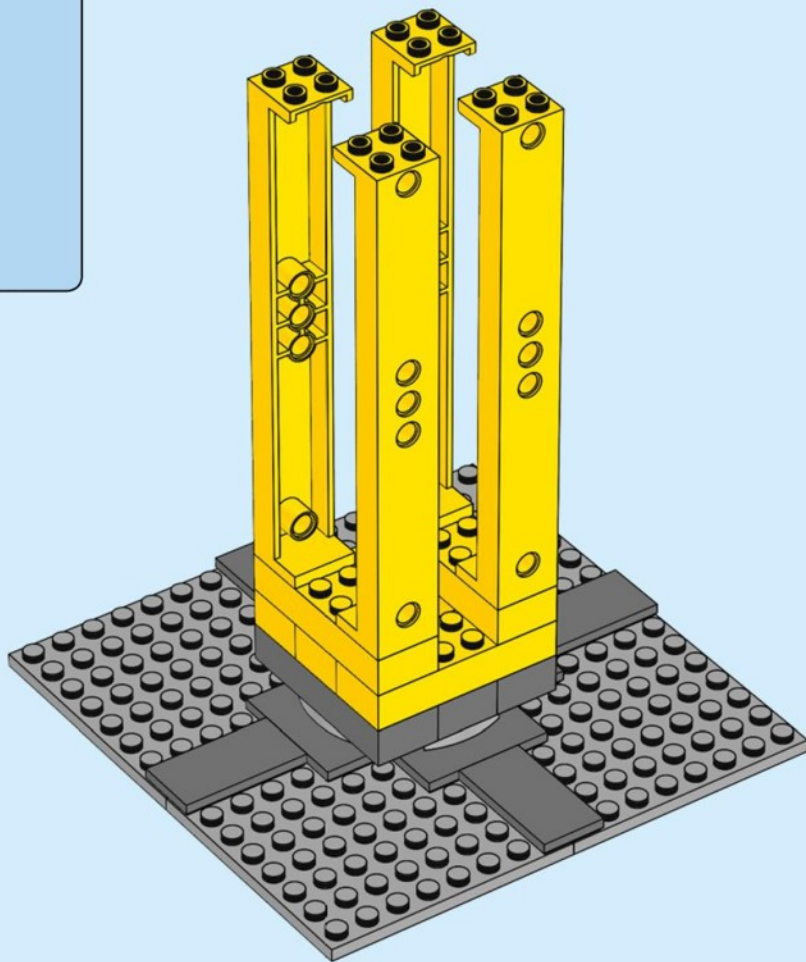


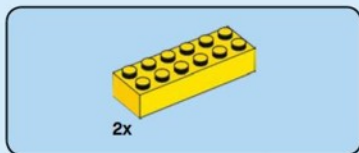
14



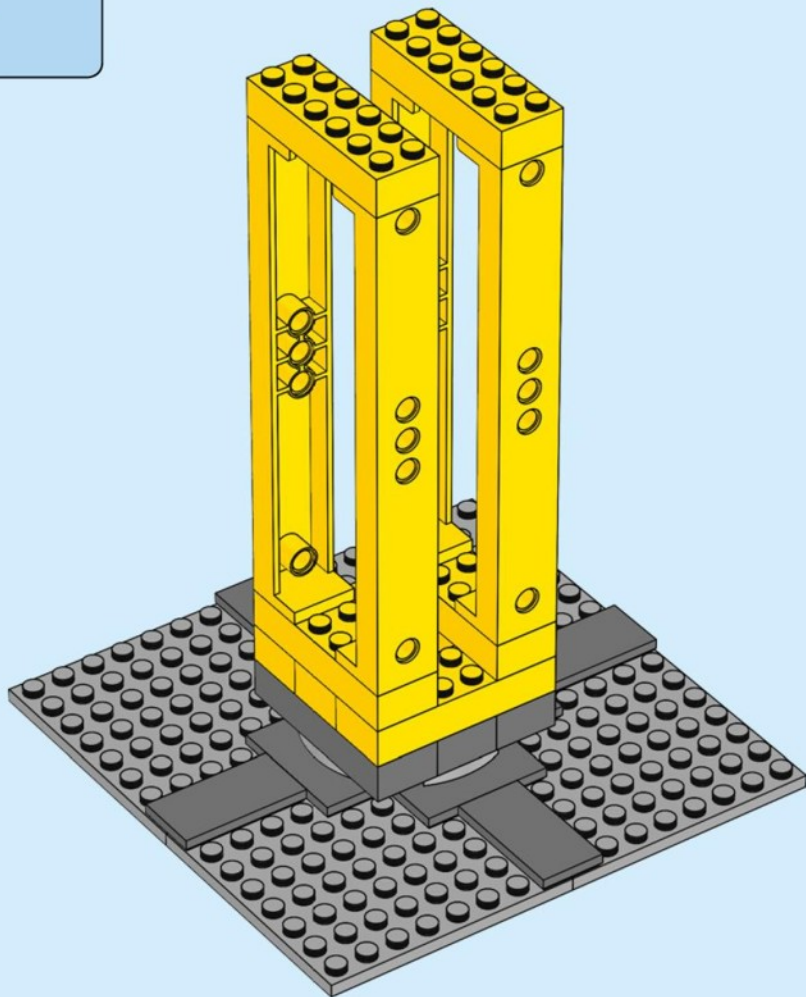


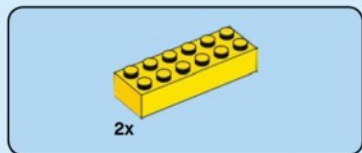
15



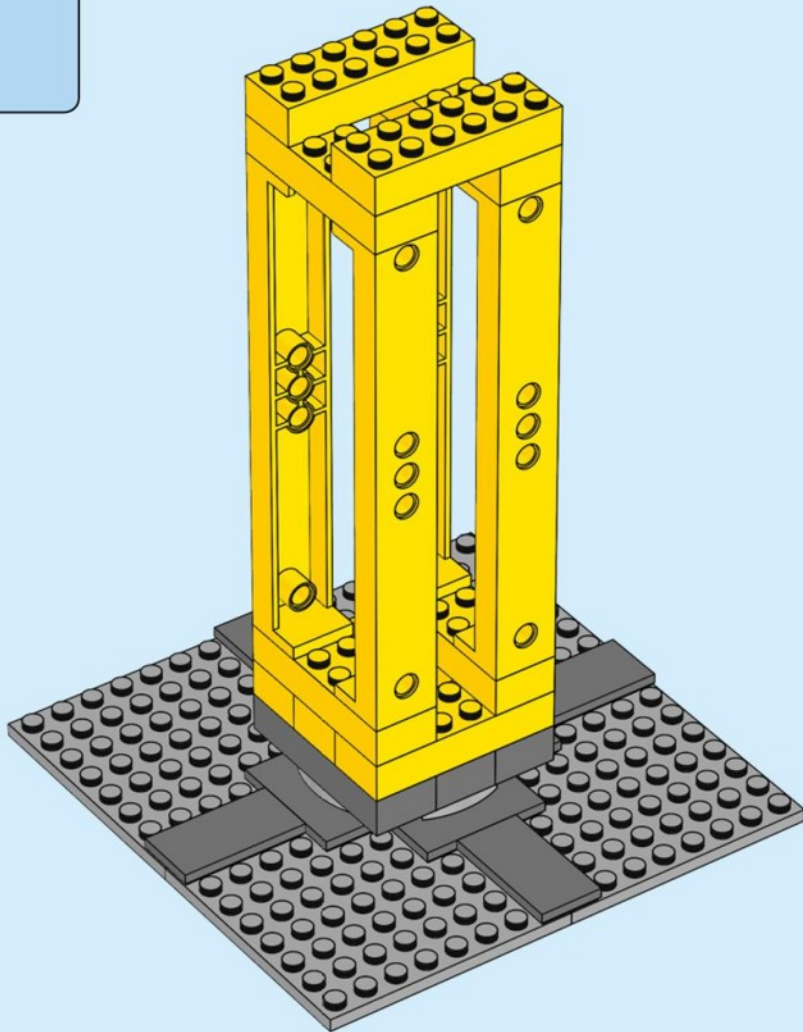


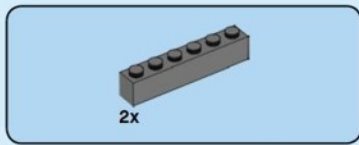
16



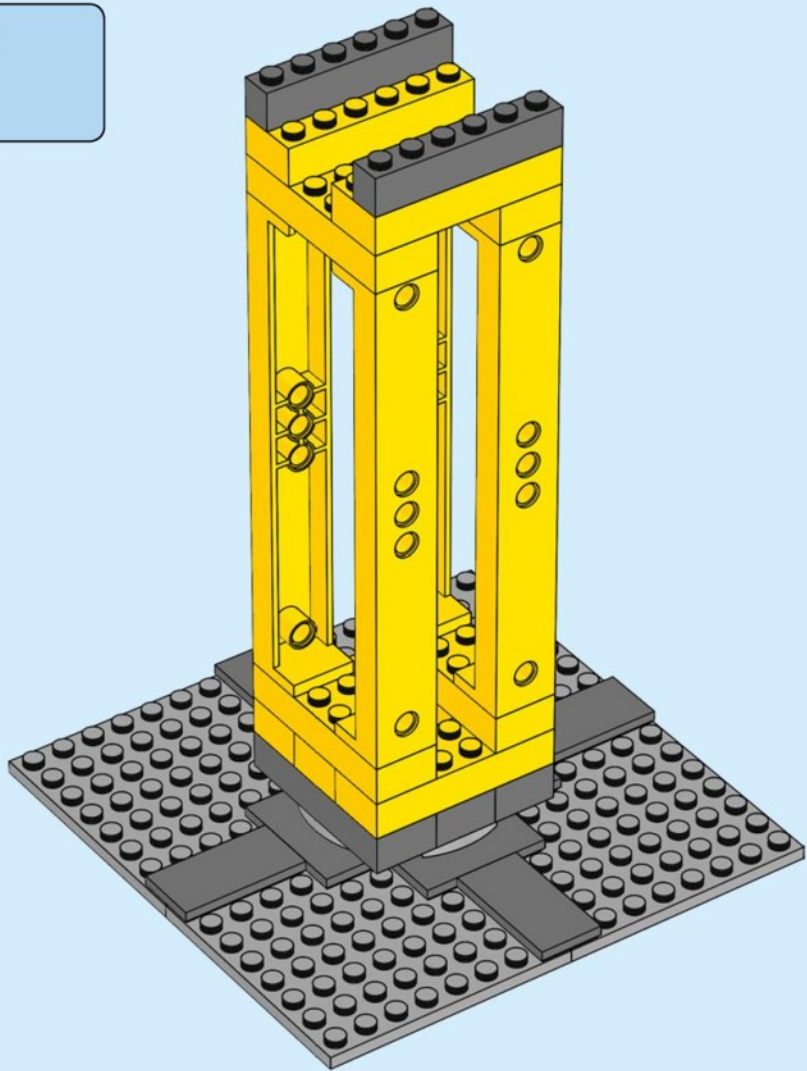


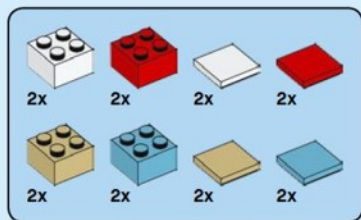
17



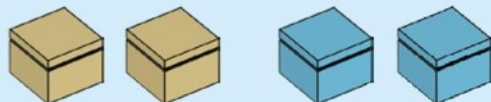
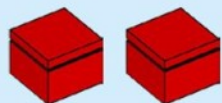
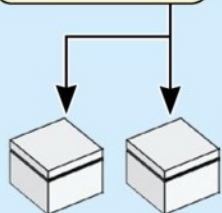
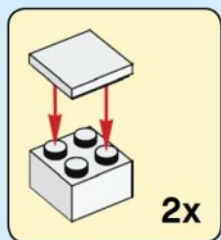


18

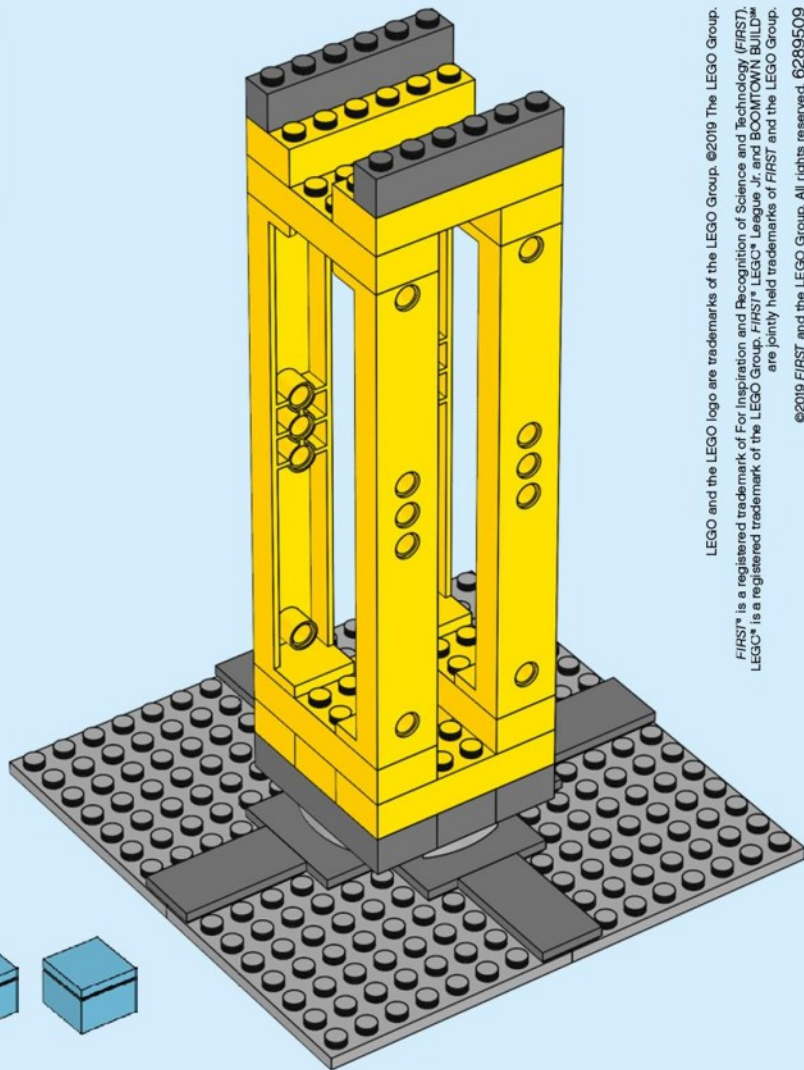




19



20



LEGO and the LEGO logo are trademarks of the LEGO Group. ©2019 The LEGO Group.
 FIRST® is a registered trademark of For Inspiration and Recognition of Science and Technology (FIRST).
 LEGO® is a registered trademark of the LEGO Group. FIRST® LEGO® League Jr. and BOOMTOWN BUILD™
 are jointly held trademarks of FIRST and the LEGO Group.
 ©2019 FIRST and the LEGO Group. All rights reserved. 6289509



education



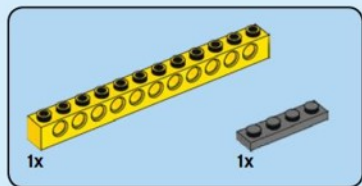
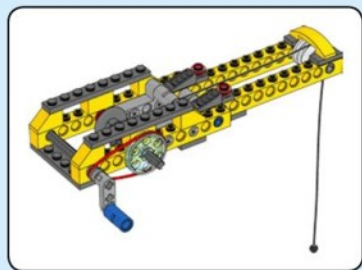
FIRST
LEGO
LEAGUE JR.

45810

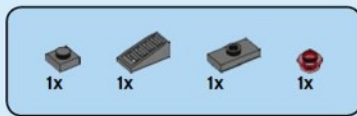
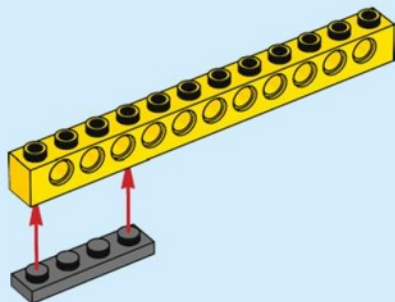


BOOMTOWN
BUILD

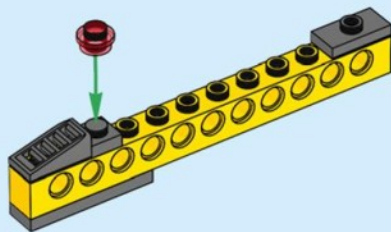


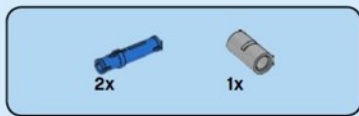


1

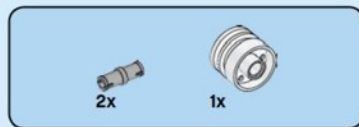
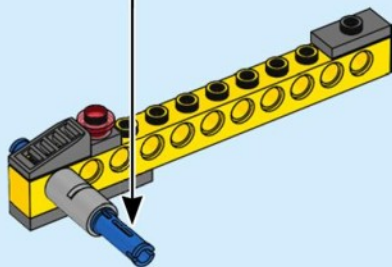
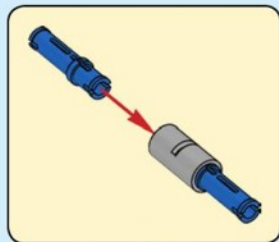


2

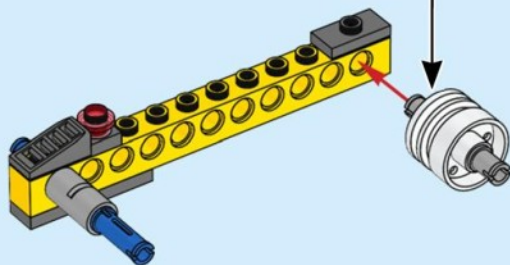
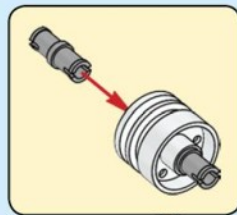


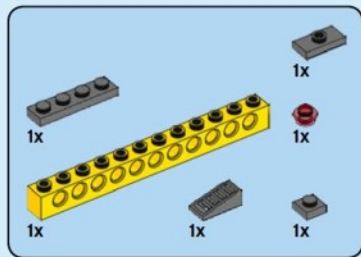


3

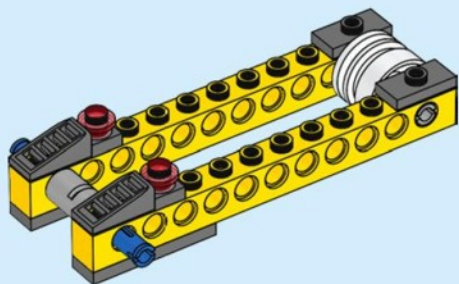
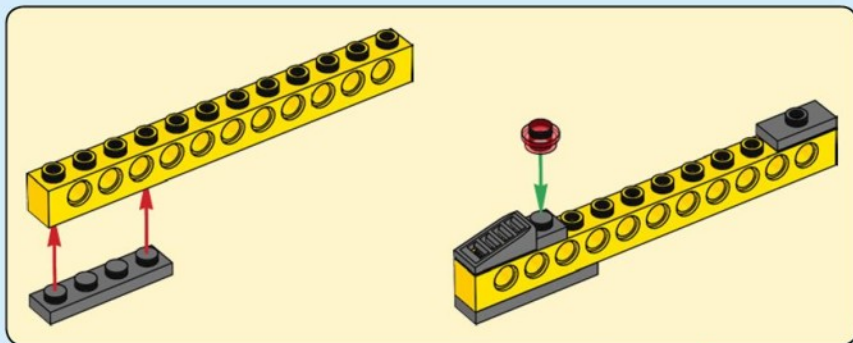


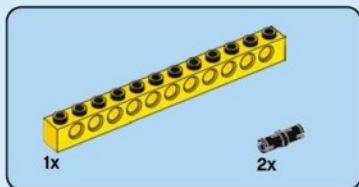
4



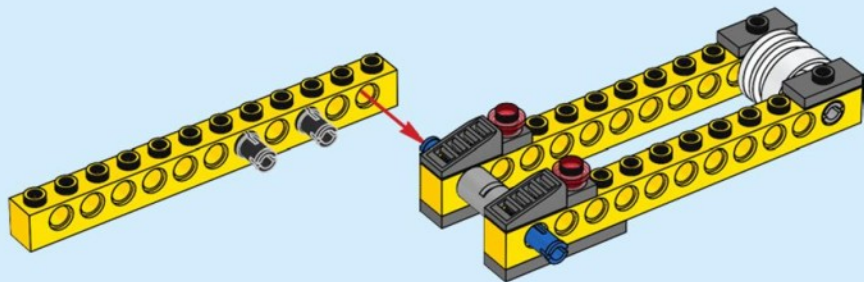


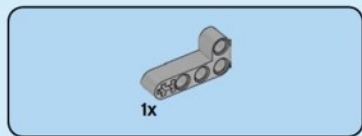
5



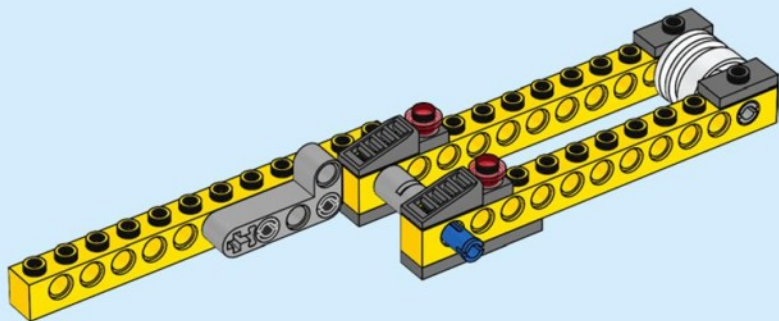


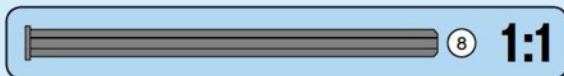
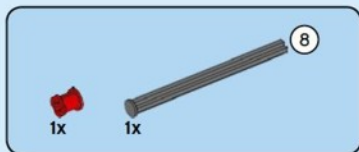
6



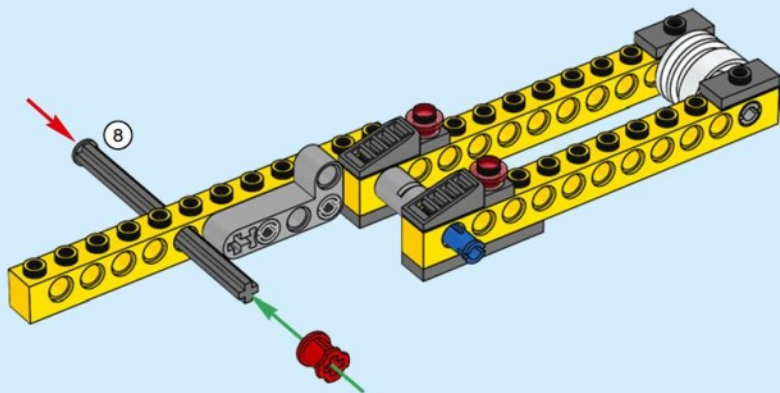


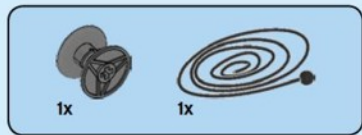
7



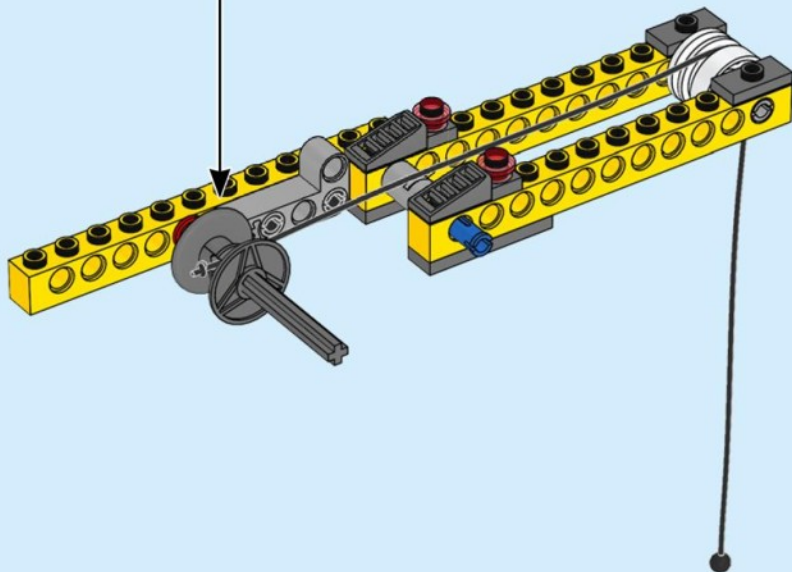
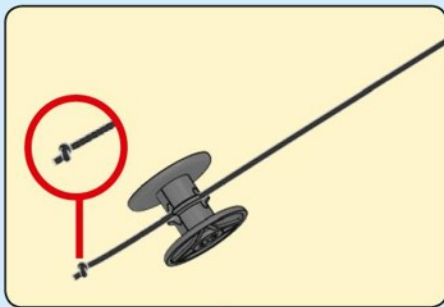


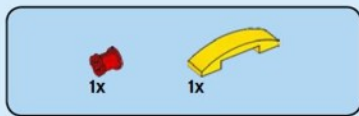
8



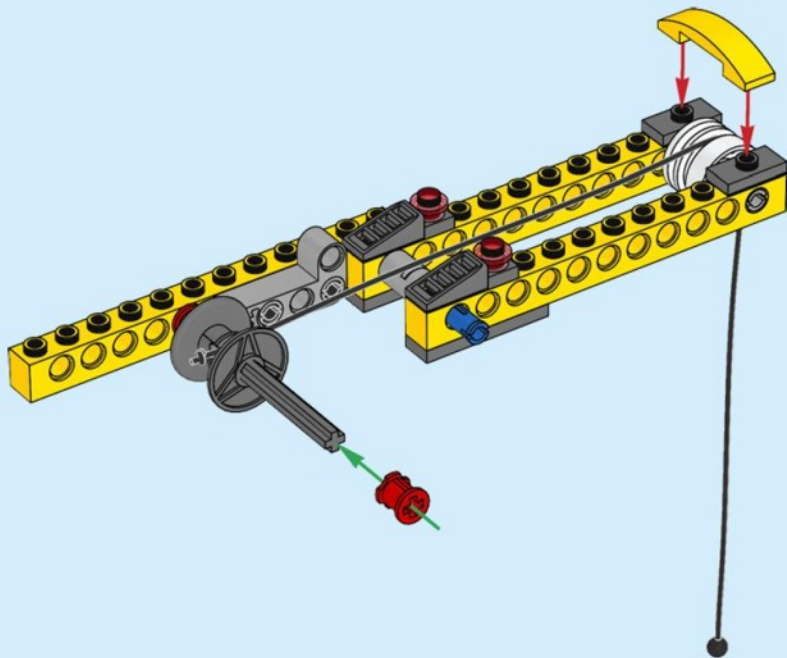


9





10

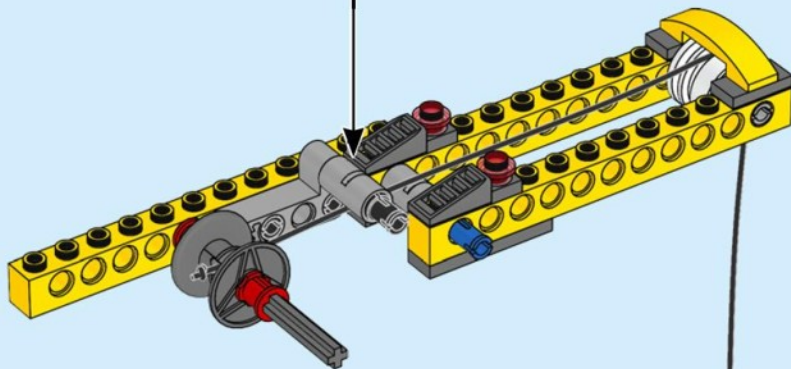
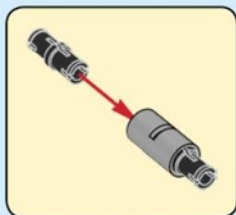


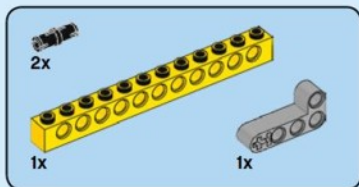
2x



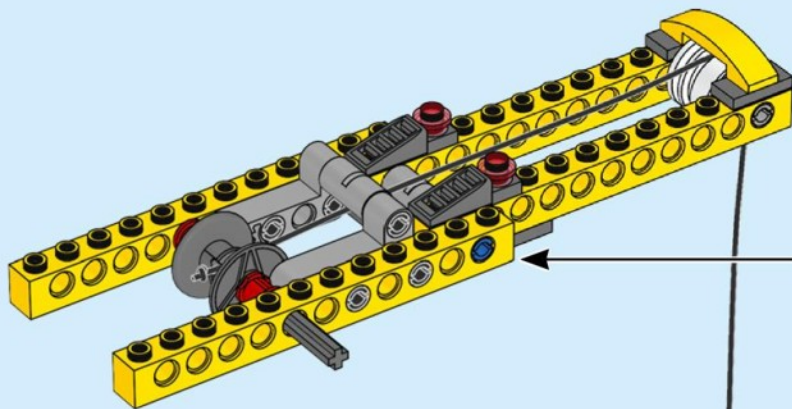
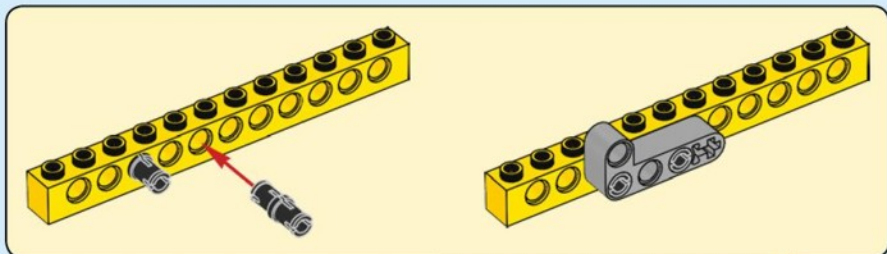
1x

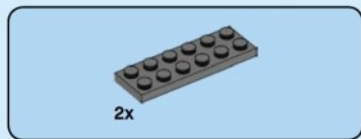
11



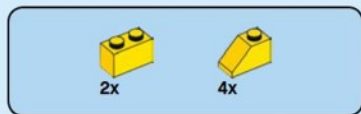
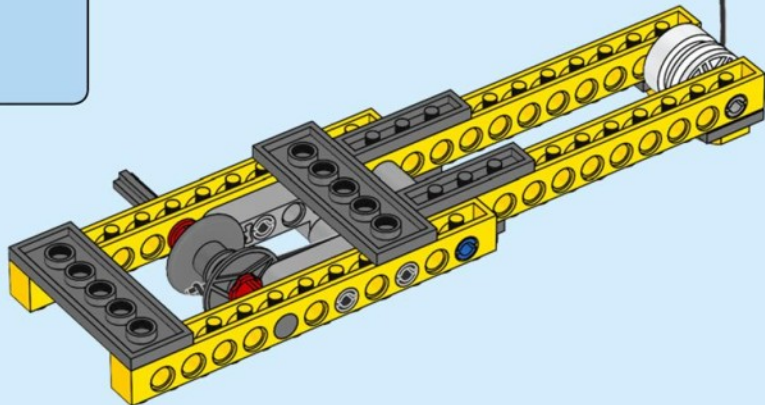


12

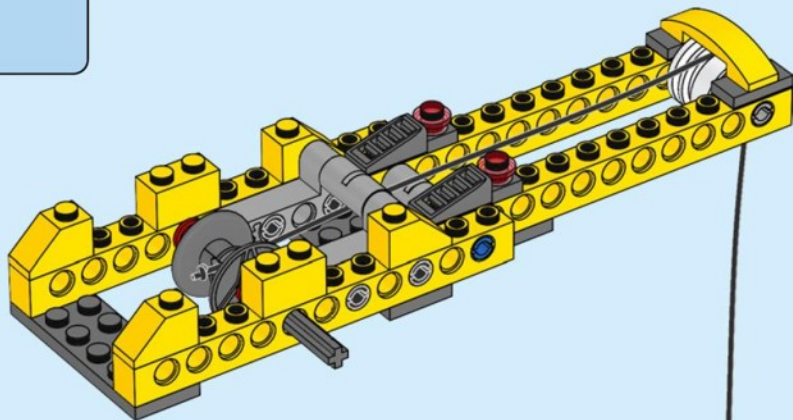


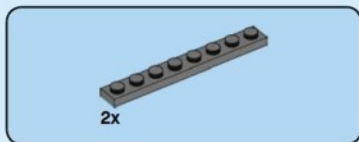


13

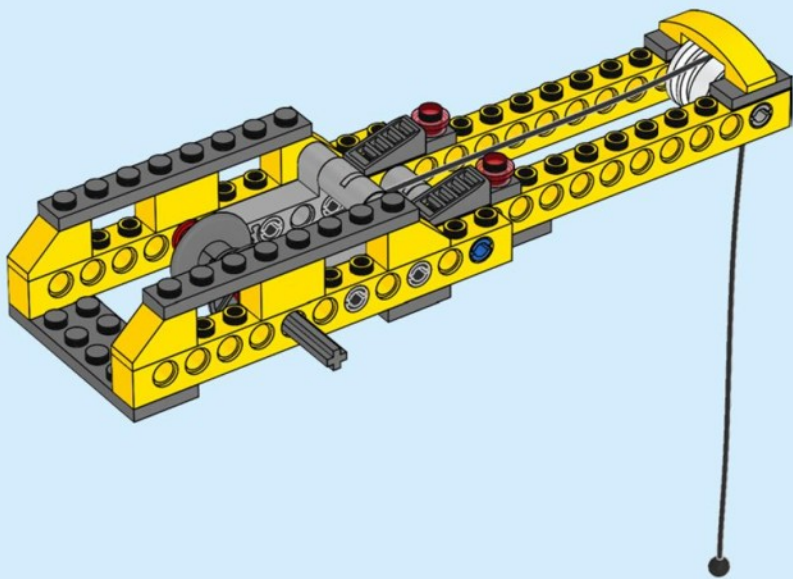


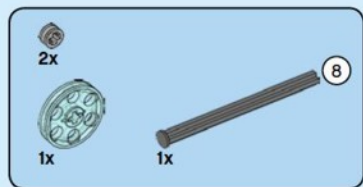
14



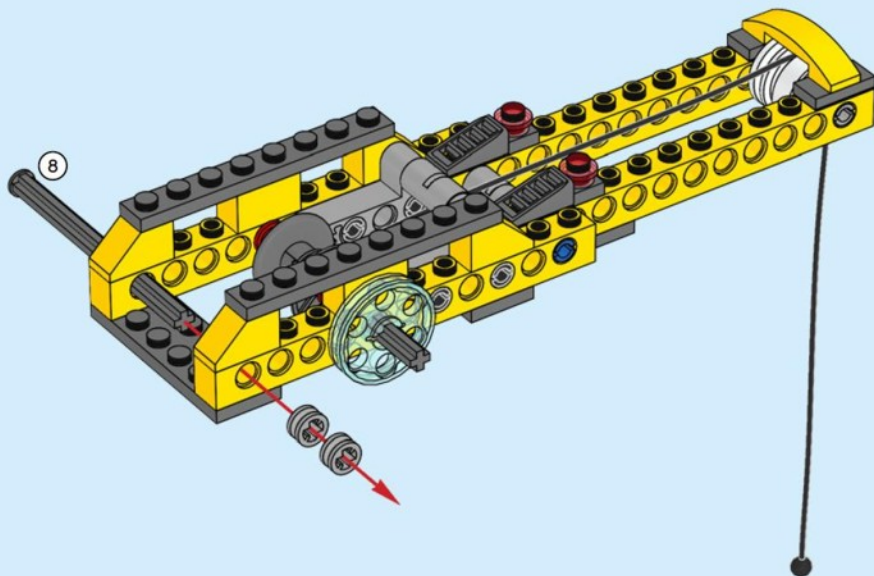


15



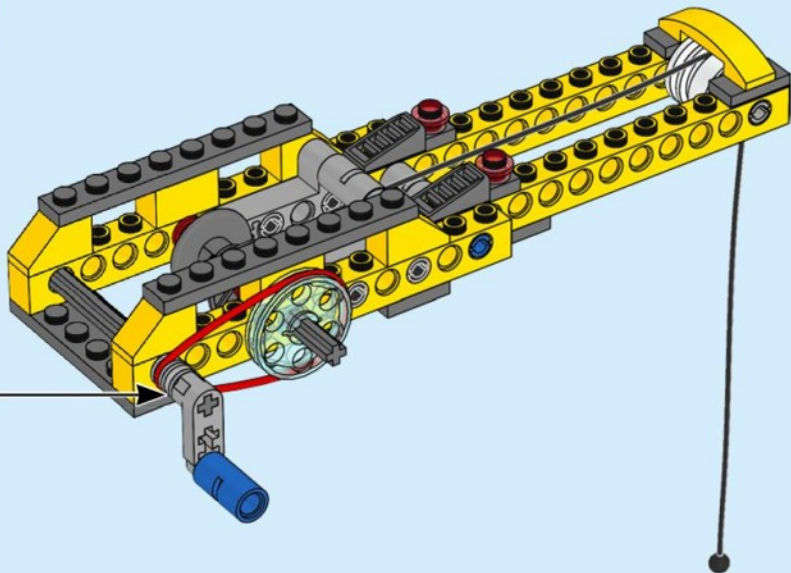
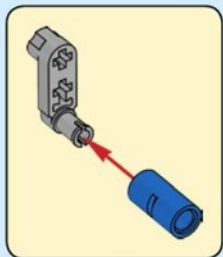


16

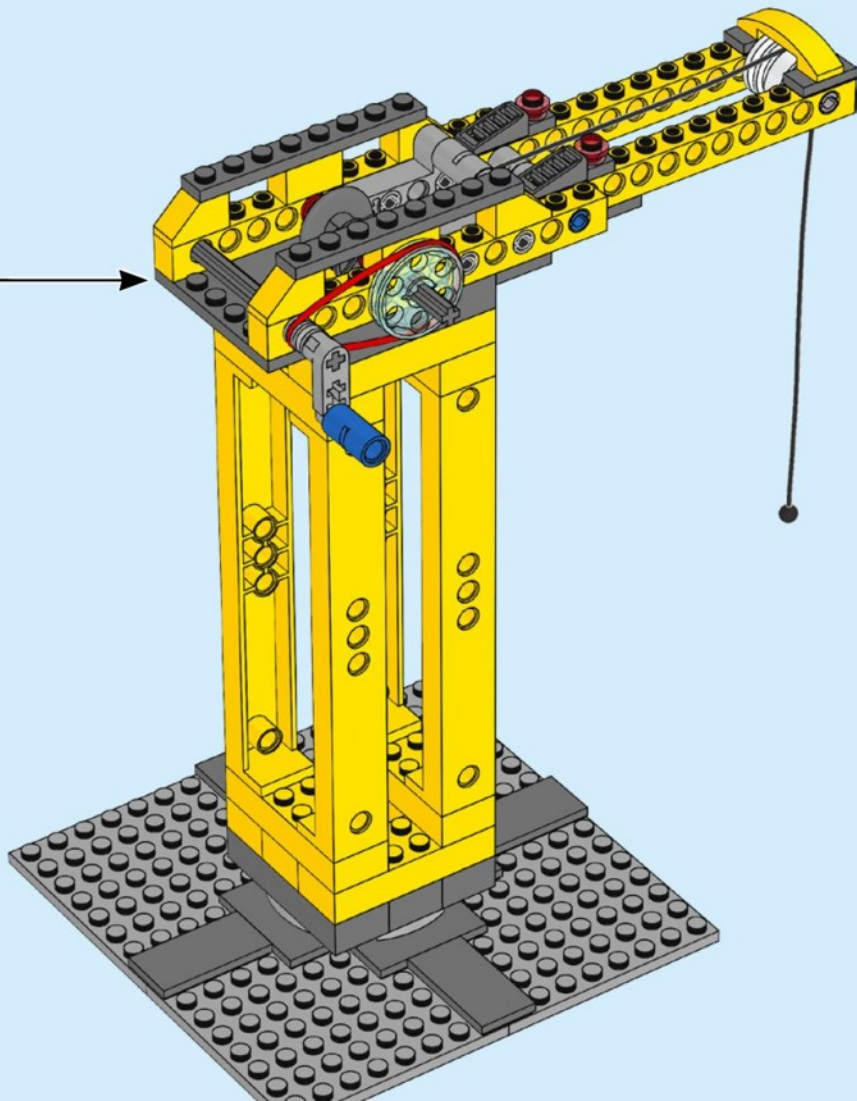




17



18



16

LEGO and the LEGO logo are trademarks of the LEGO Group. ©2019 The LEGO Group.

FIRST® is a registered trademark of For Inspiration and Recognition of Science and Technology (FIRST).
LEGO® is a registered trademark of the LEGO Group. FIRST™, LEGO® League Jr. and BOOMTOWN BUILD™
are jointly held trademarks of FIRST and the LEGO Group.

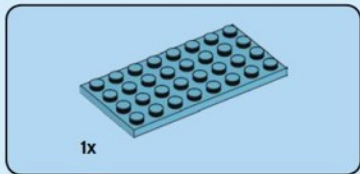
©2019 FIRST and the LEGO Group. All rights reserved. 6289516

45810

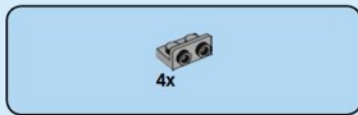
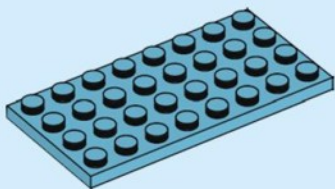


BOOMTOWN
BUILD

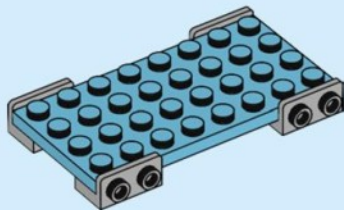


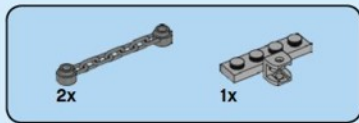


1

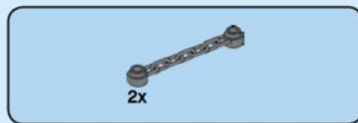
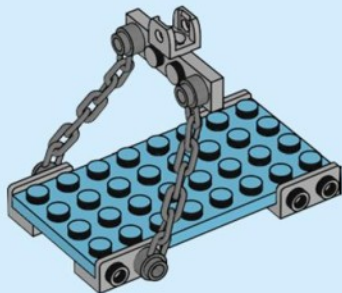


2

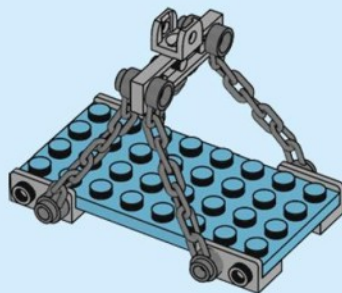




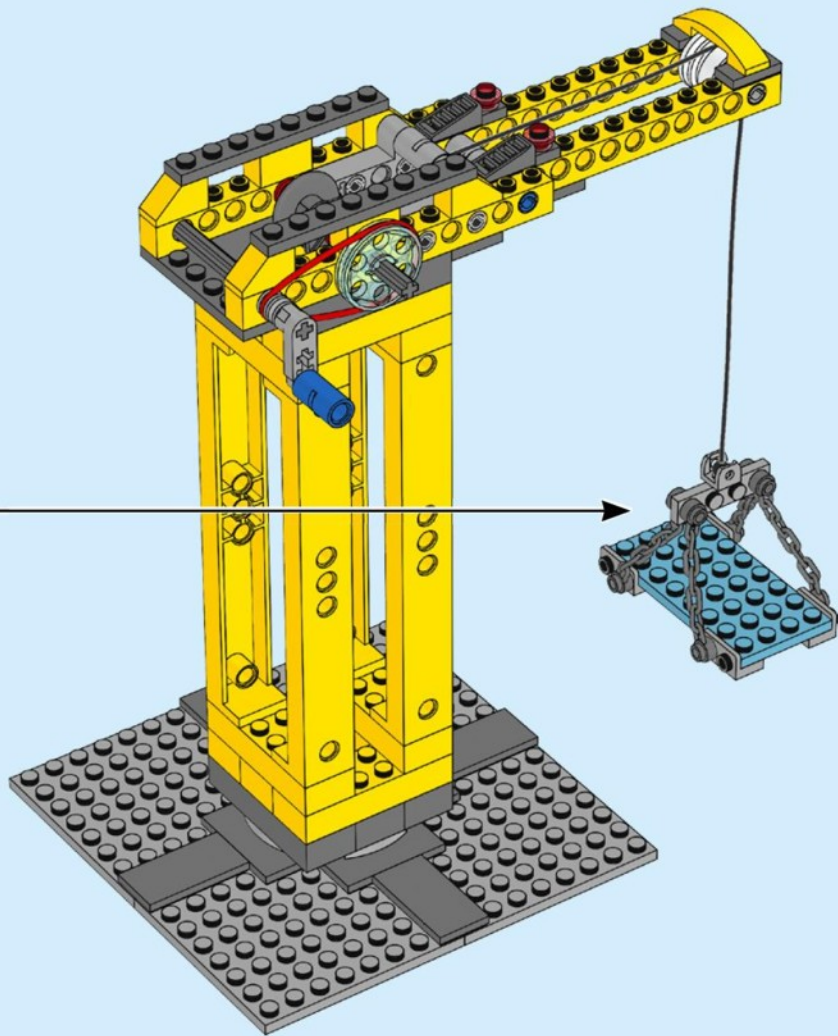
3



4

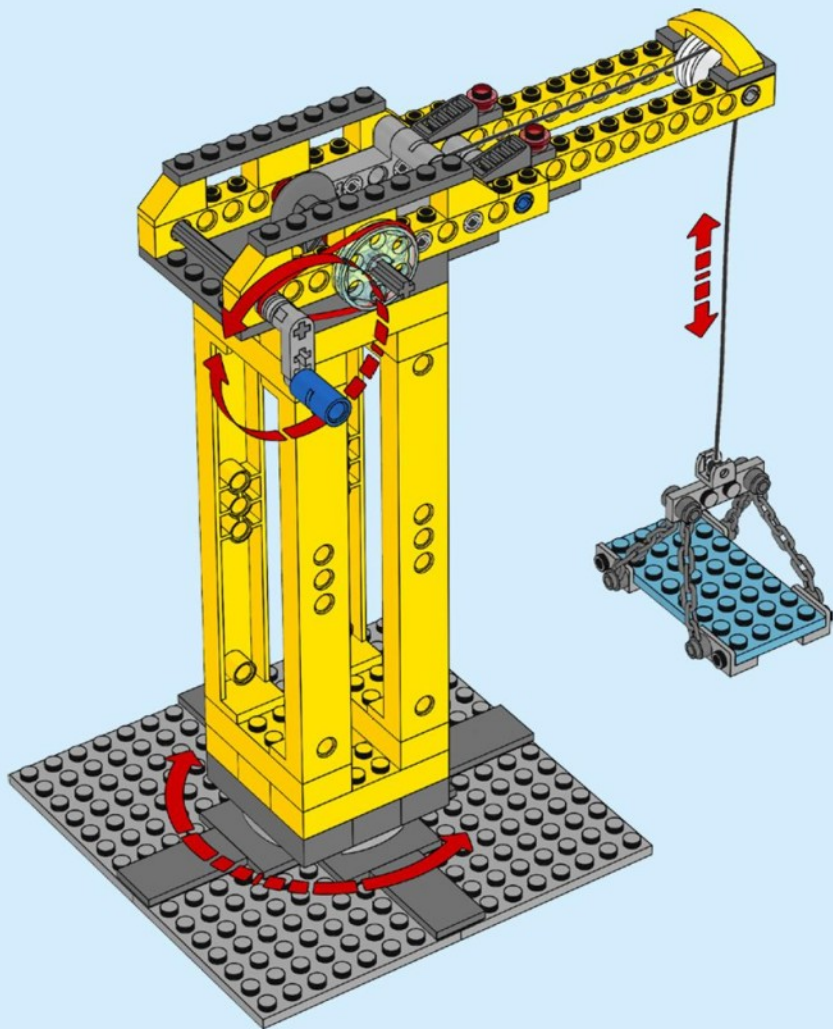


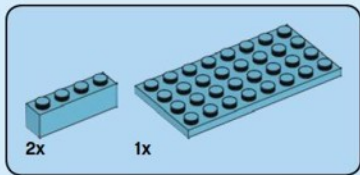
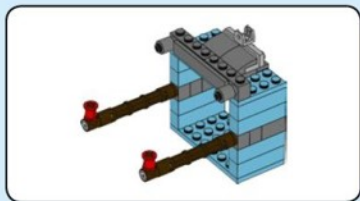
5



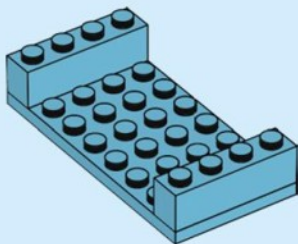
4

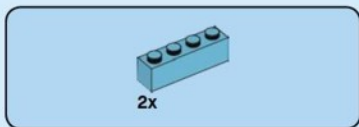
6



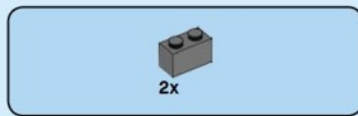
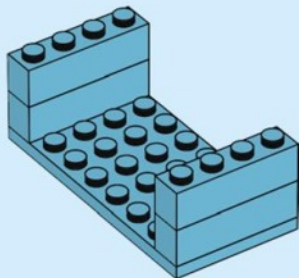


1

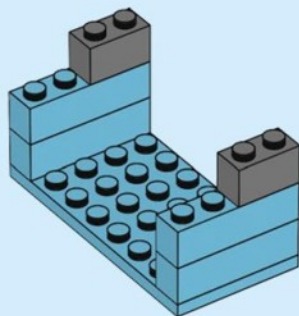




2



3



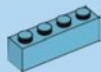
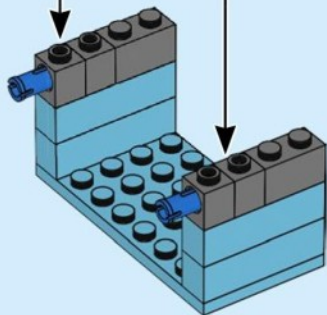
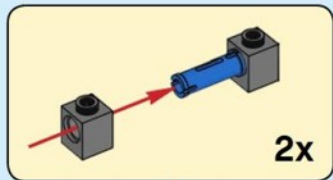


4x



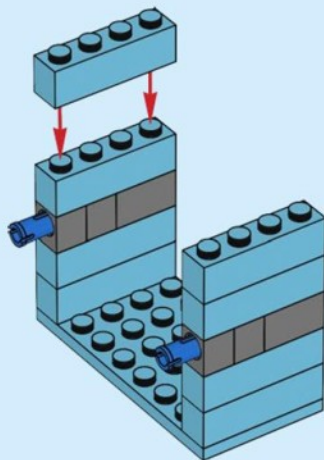
1x

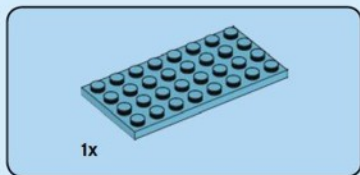
4



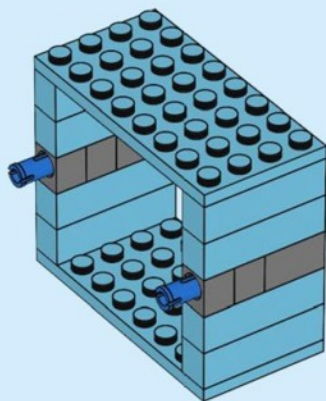
4x

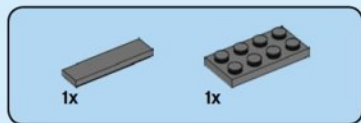
5



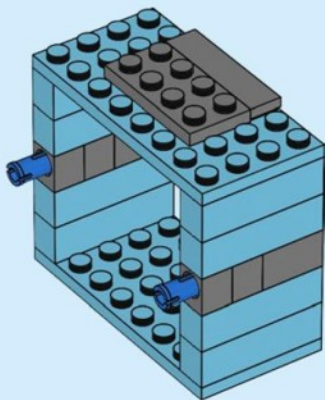


6



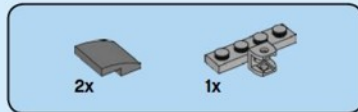
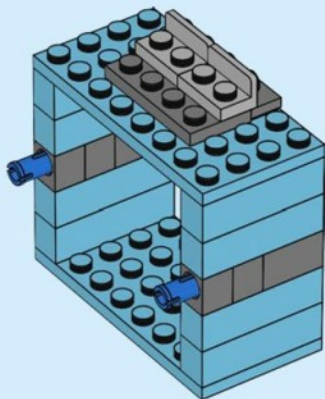


7

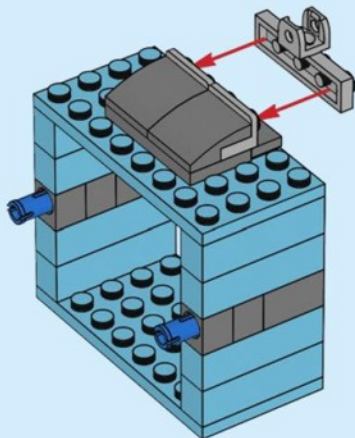




8



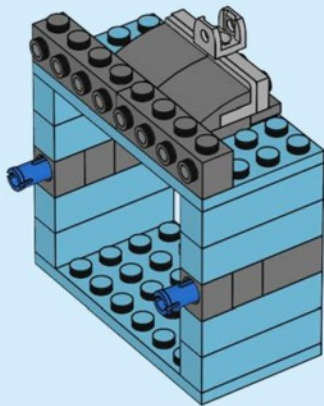
9

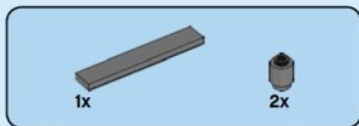




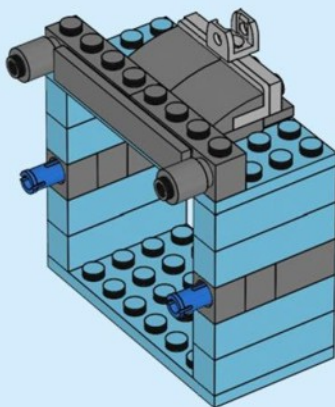
2x

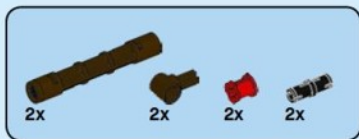
10



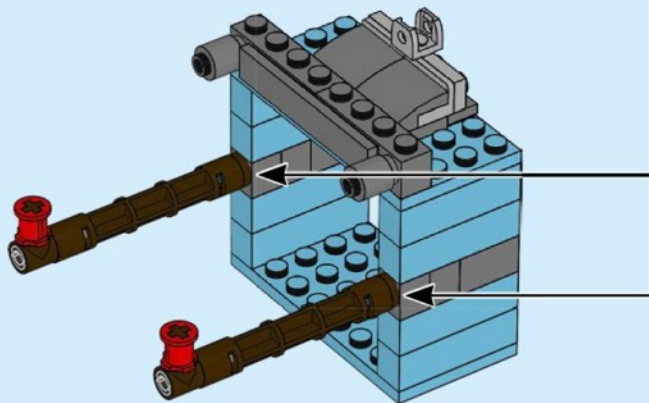
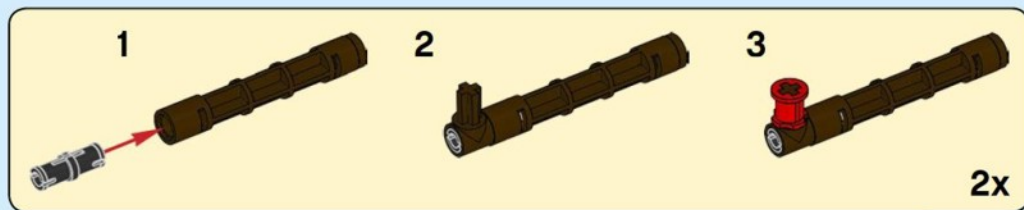


11

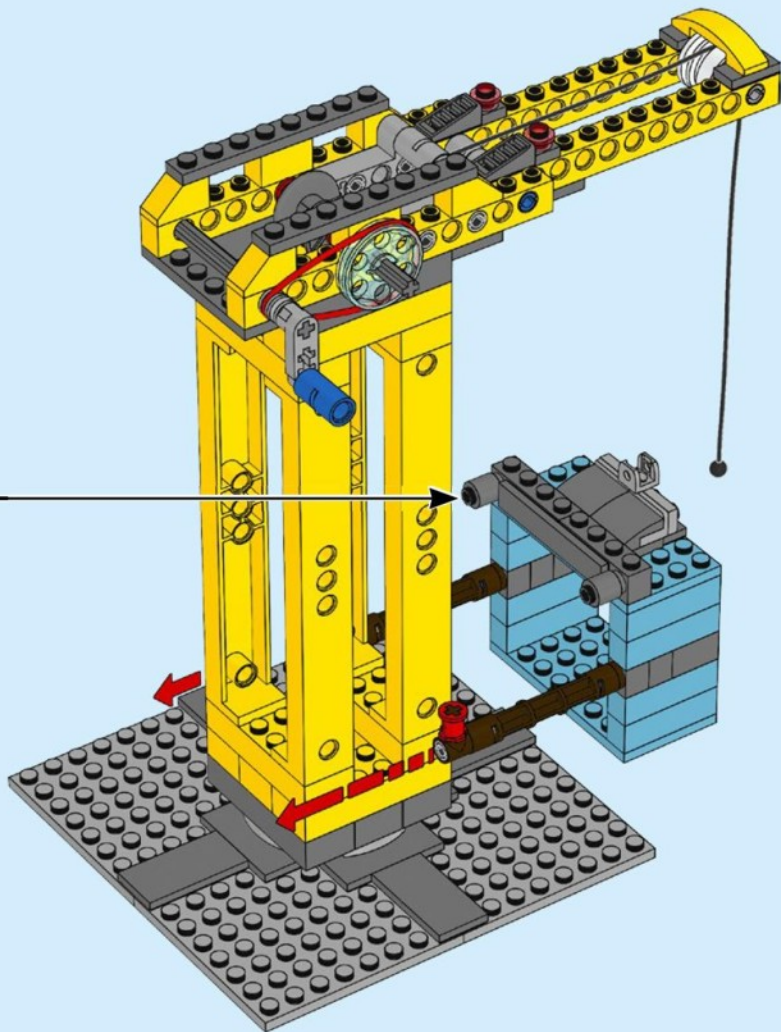




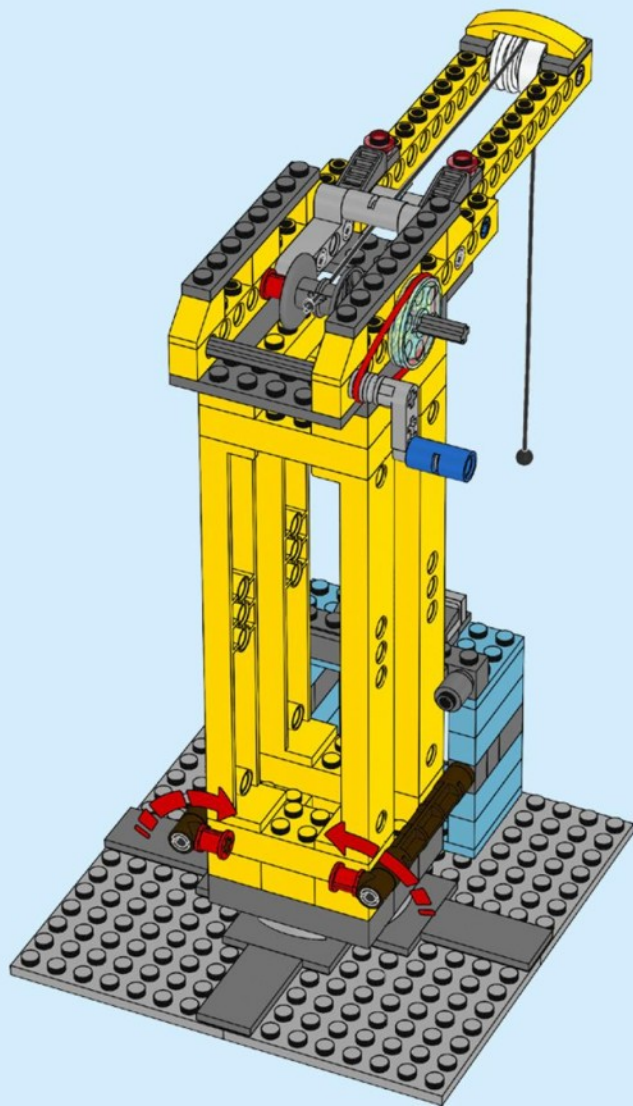
12



13

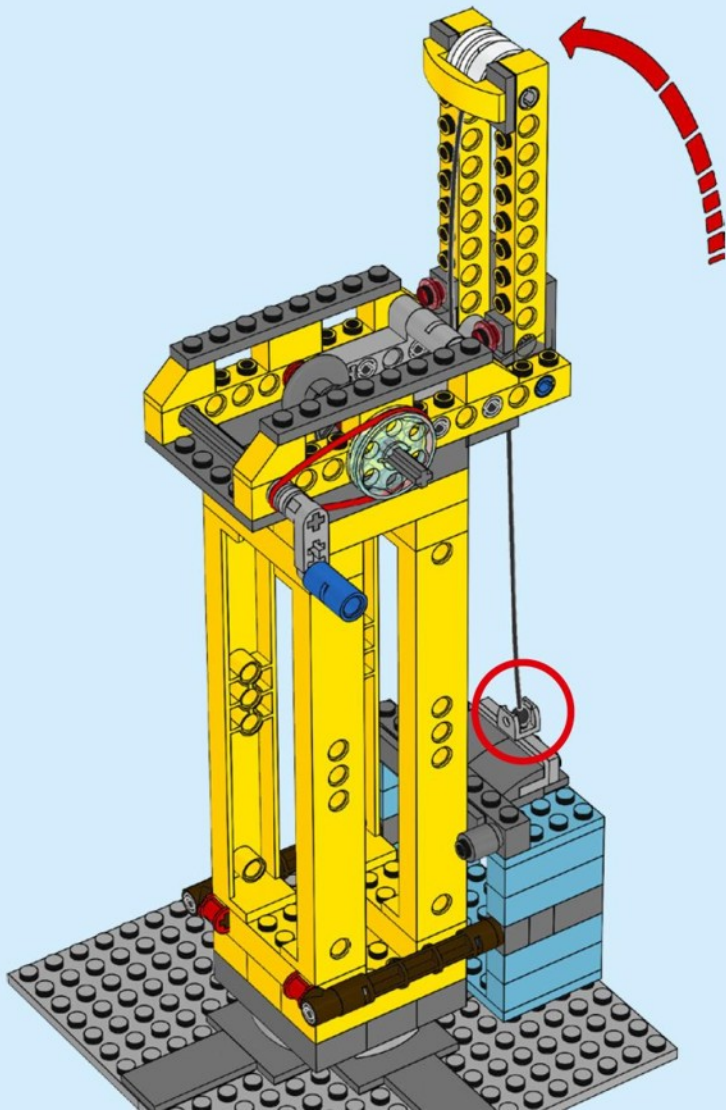


14

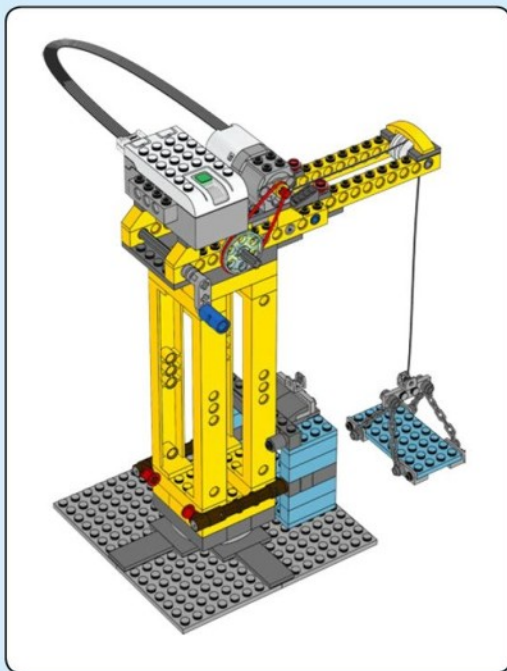


16

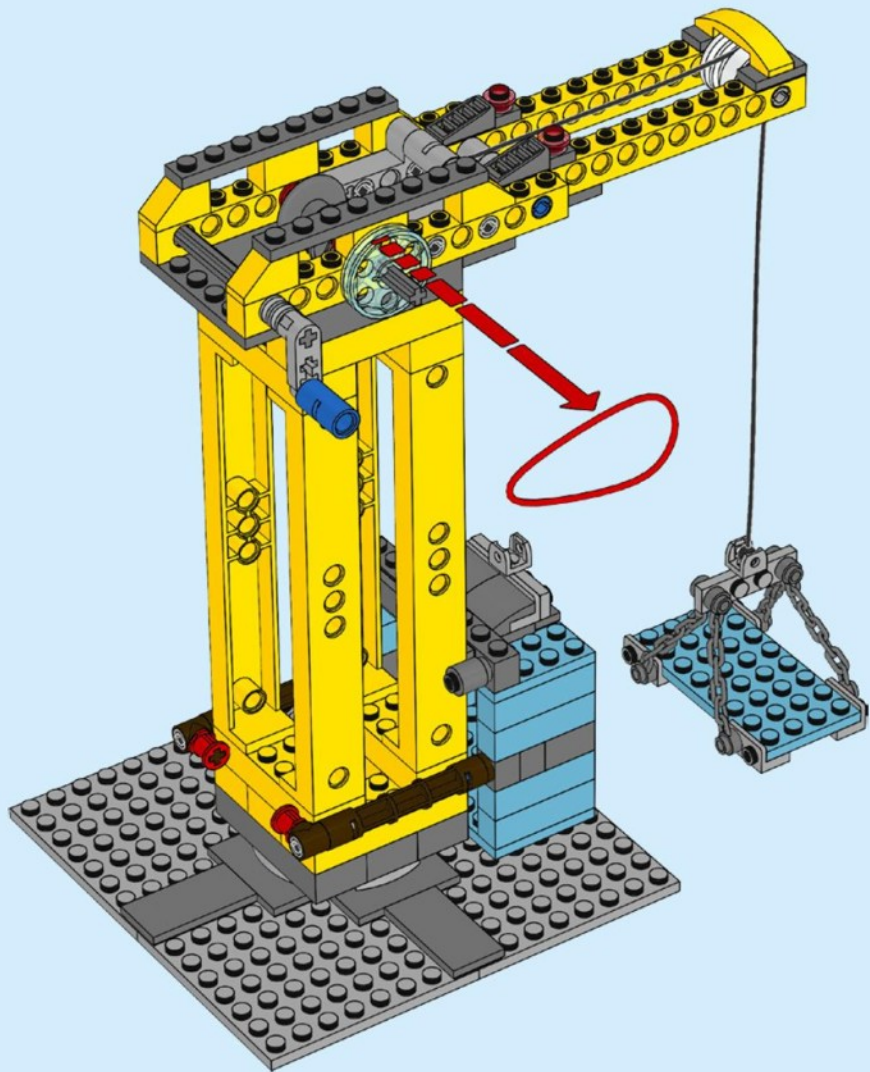
15

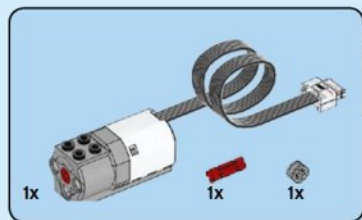


FIRST® LEGO® League 45810 + 45300

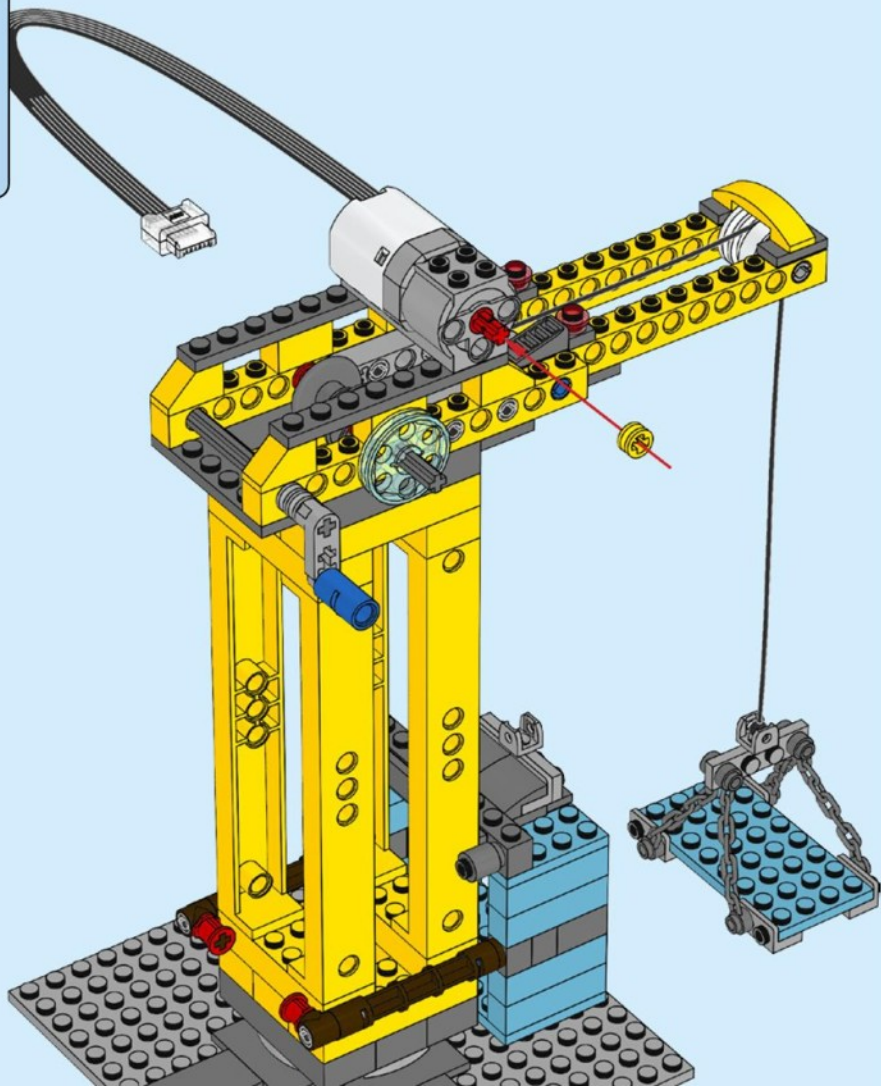


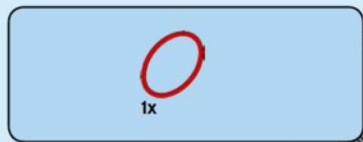
1



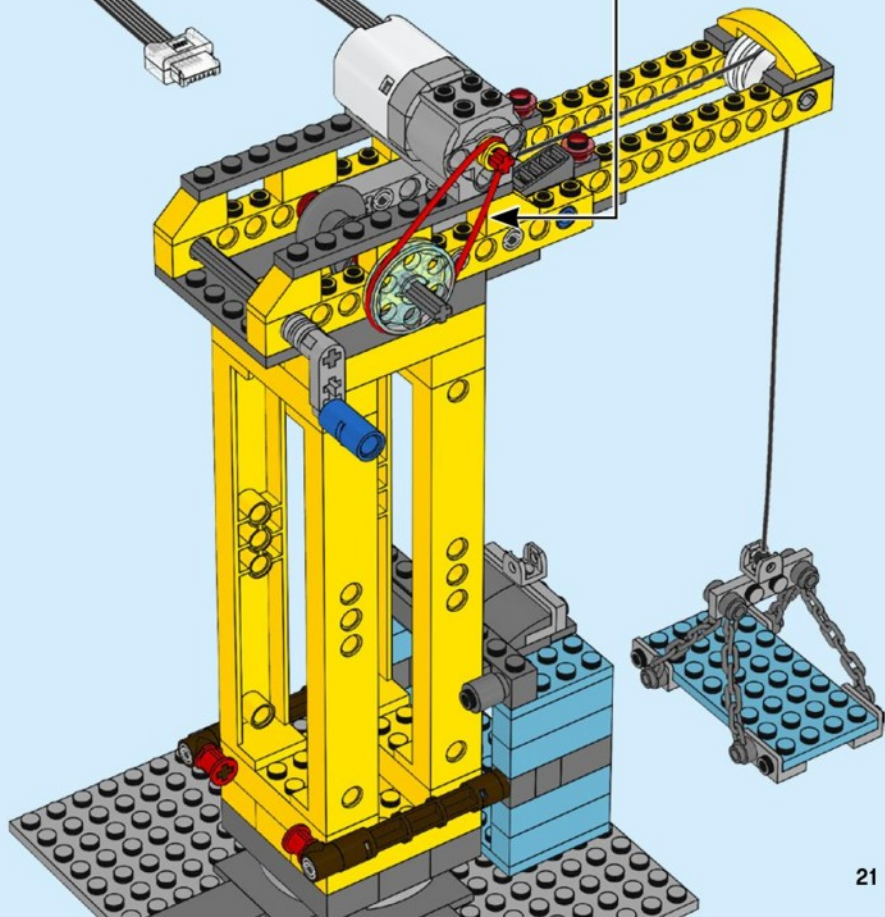
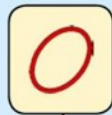


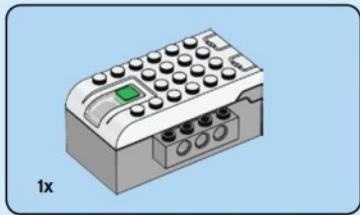
2



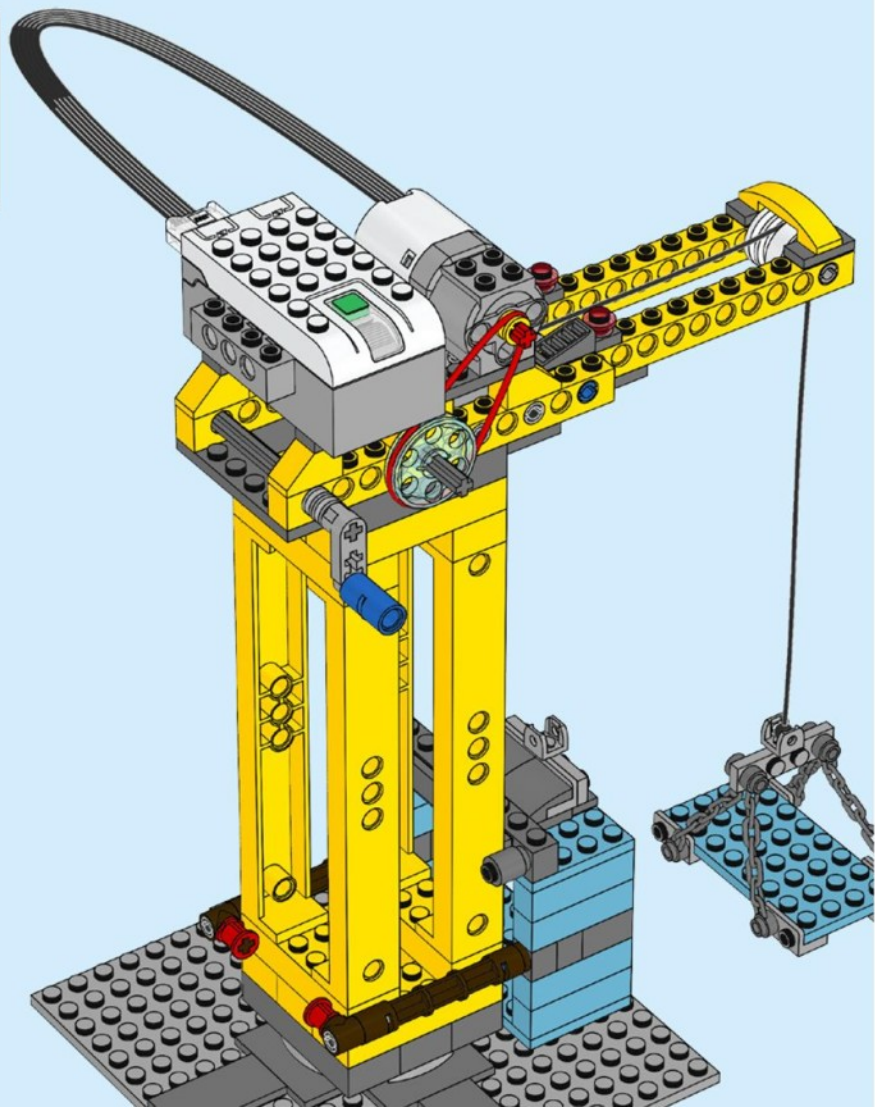


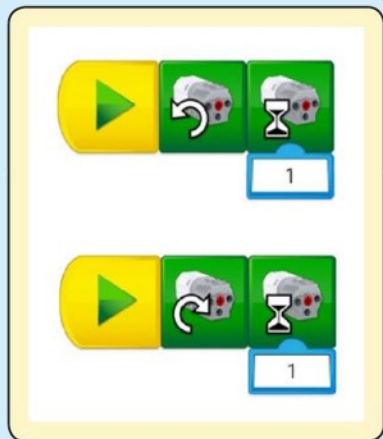
3





4







2x
306801



2x
300301



1x
6260609



1x
4611927



1x
4666579



2x
4185177



2x
4114306



1x
4529234



4x
4227155



1x
4544143



2x
306821



2x
300321



1x
6210497



2x
6173127



4x
6072694



4x
6262393



4x
4514553



2x
300424



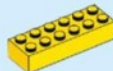
4x
4121965



2x
300324



1x
4613151



8x
4181143



8x
4121715



1x
6132951



2x
6208450



1x
6096296



2x
4211573



2x
4211807



6x
6004990



1x
4563045



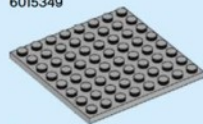
2x
4211610



2x
6273218



1x
6015349



4x
4166618



2x
4211090



2x
4210719



4x
4210639



2x
4540386



2x
4211088



2x
6092572



2x
6071261



2x
4211060



1x
4239891



1x
4211053



2x
4210725



2x
4211001



1x
4211065



8x
4560184



4x
4600437



1x
4210651



2x
4211100



2x
4211002



2x
4210875



2x
4499858



2x
4210998



2x
6134197



2x
6211448



2x
6060857



2x
4653970



8x
6036238



3x
6104130



Customer Service

Kundenservice

Service Consommateurs

Servicio Al Consumidor

LEGO.com/service or dial



00800 5346 5555 :

1-800-422-5346 :



LEGO and the LEGO logo are trademarks of the LEGO Group. ©2019 The LEGO Group.

FIRST® is a registered trademark of For Inspiration and Recognition of Science and Technology (FIRST). LEGO® is a registered trademark of the LEGO Group. FIRST™ LEGO® League Jr. and BOOMTOWN BUILD™ are jointly held trademarks of FIRST and the LEGO Group. ©2019 FIRST and the LEGO Group. All rights reserved. 6289519