

LEGO

SYSTEM

3314



12



© 1980



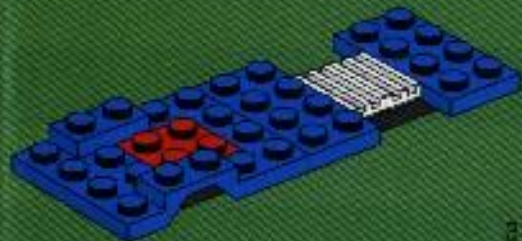
1



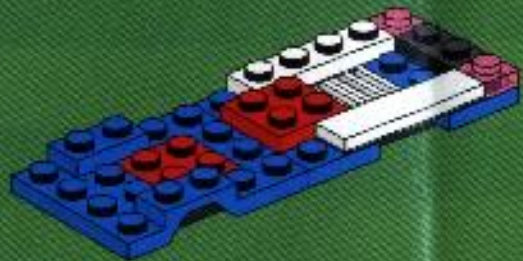
2



3



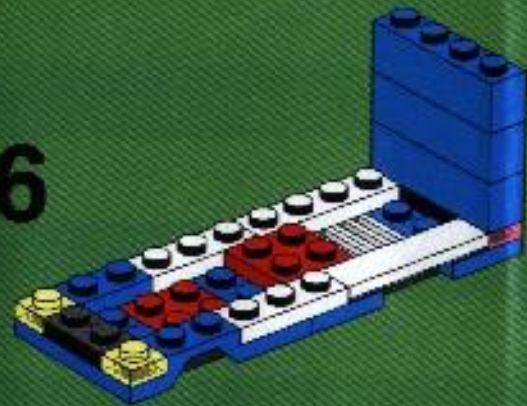
4



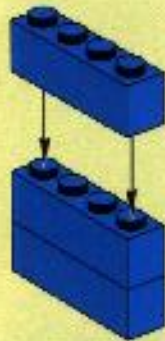
5



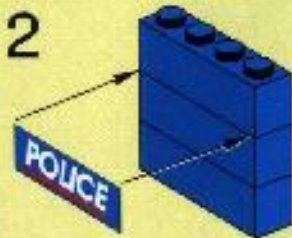
6



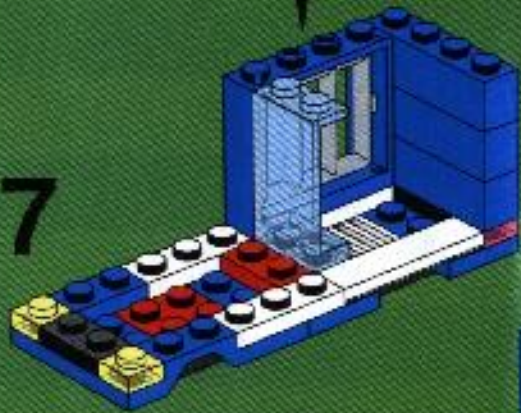
1



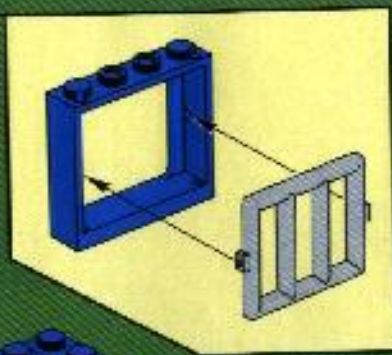
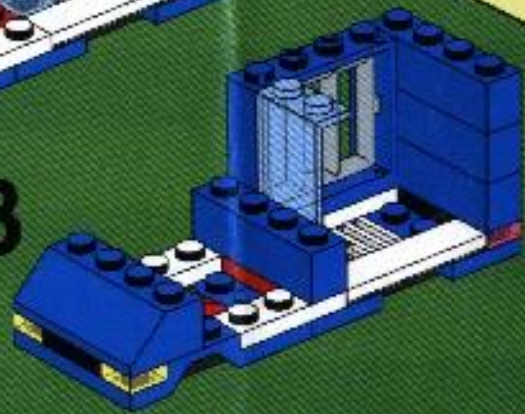
2



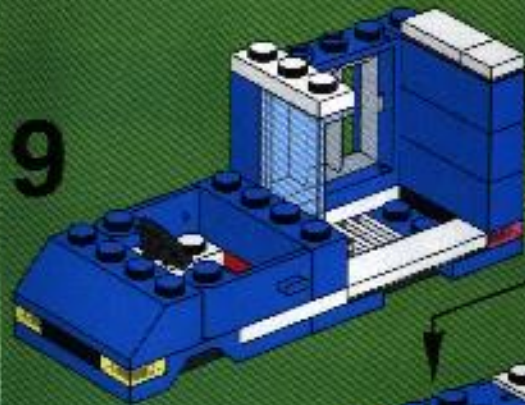
7



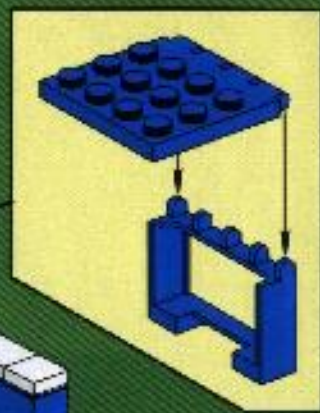
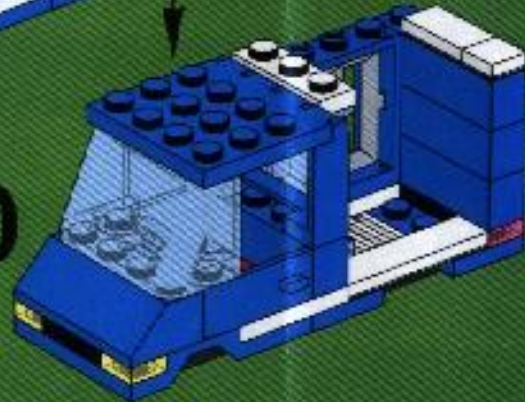
8



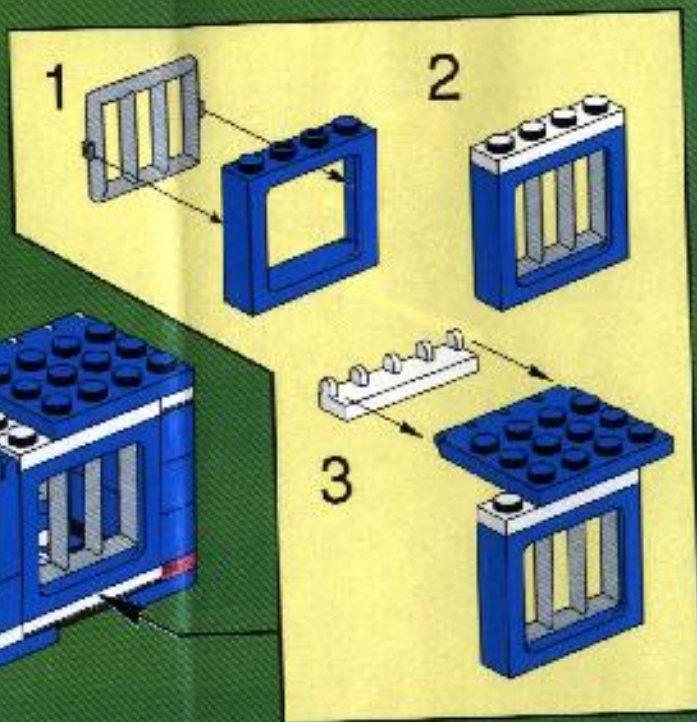
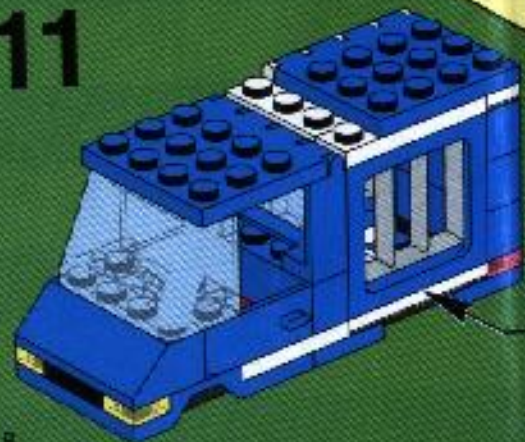
9



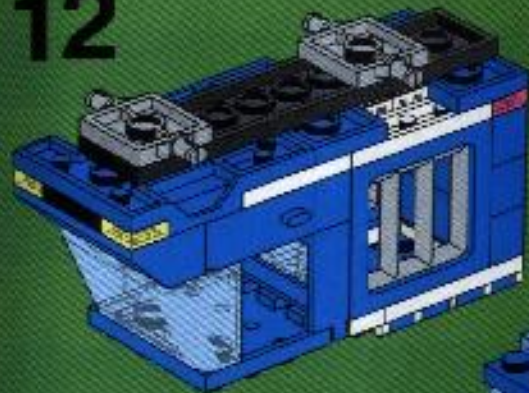
10



11



12



13





1



2



3

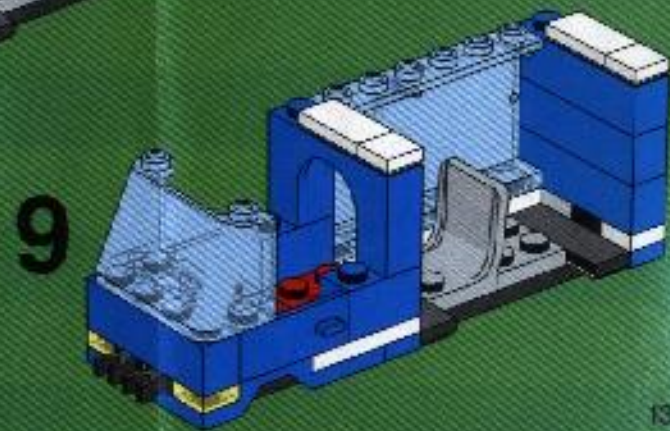
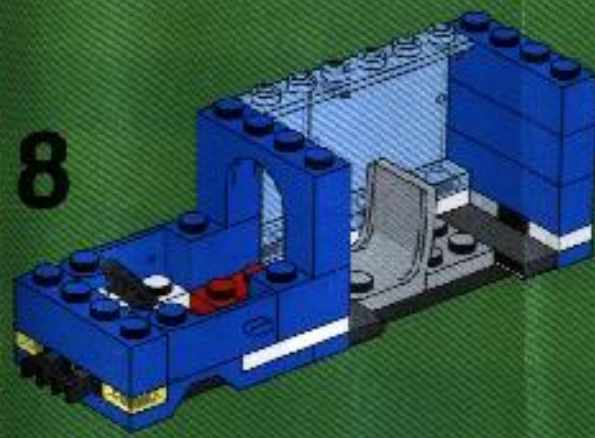
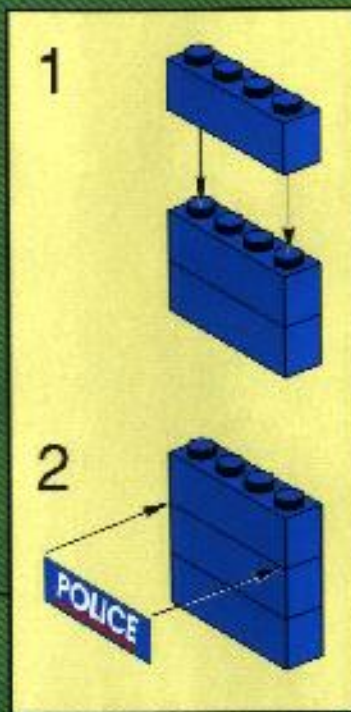
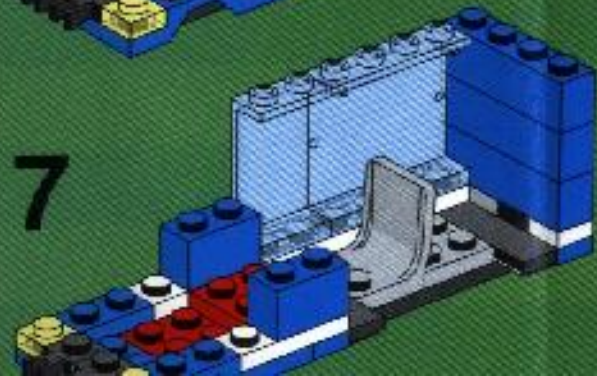
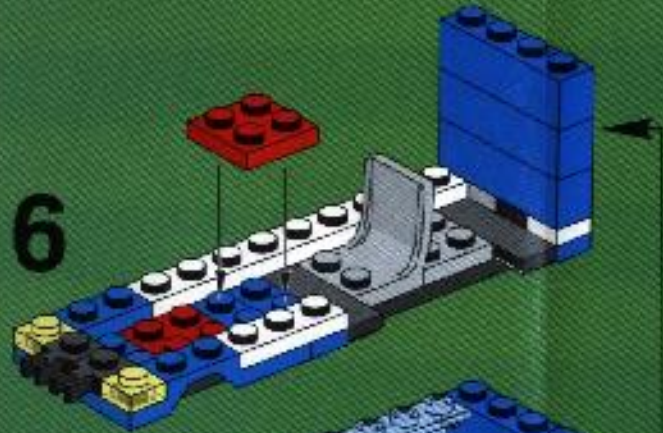


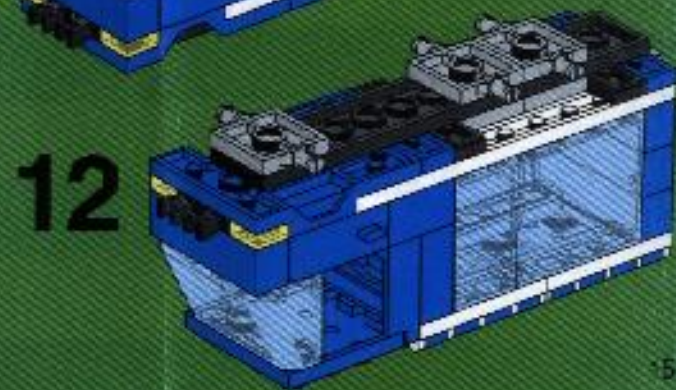
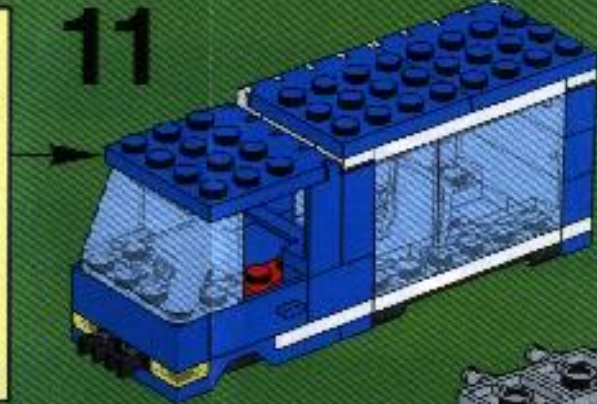
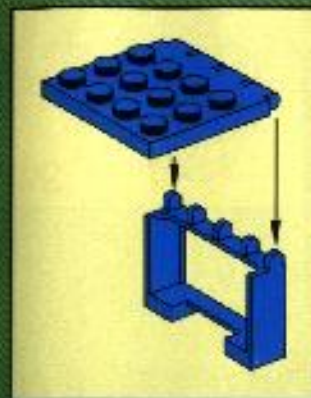
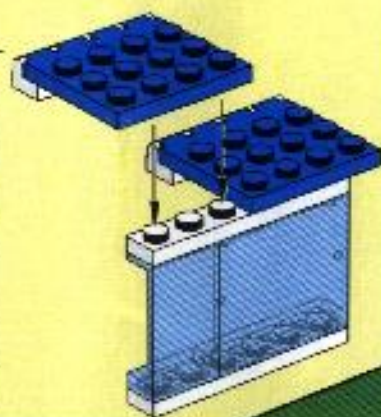
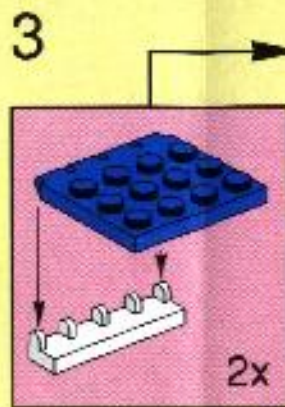
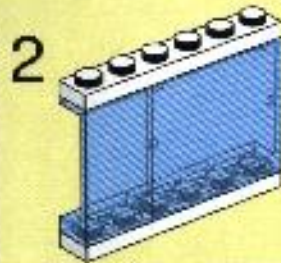
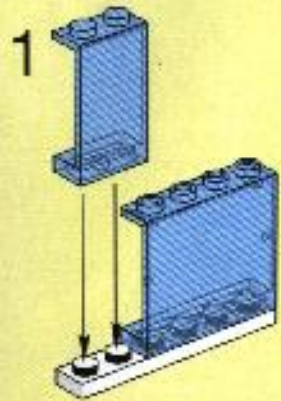
4



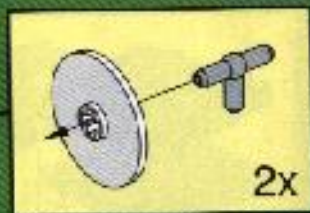
5







13



2x



A white rectangular sign with rounded corners, featuring two identical blue rectangular panels stacked vertically. Each panel contains the word "POLICE" in white, bold, sans-serif capital letters. A red horizontal bar is positioned below the text in each panel. A vertical blue bar is attached to the top center of the sign, extending upwards.

POLICE

POLICE