



STAR WARS

MINI BUILDING SET

4486

Snowspeeder™

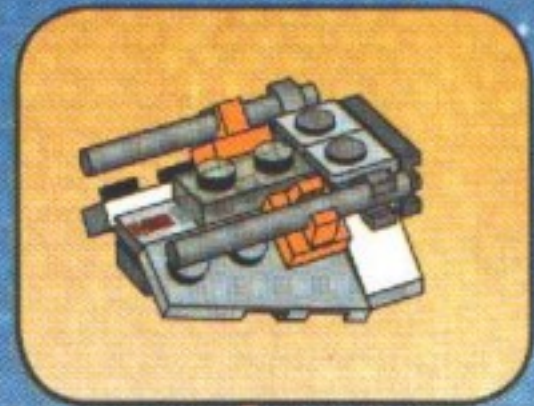


AT-ST™



MINI

4193296



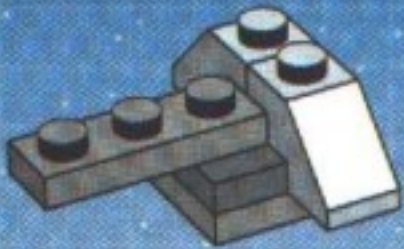
1



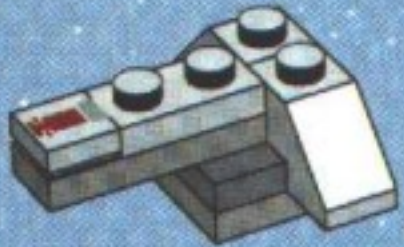
2



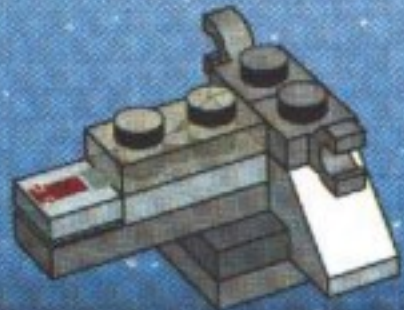
3



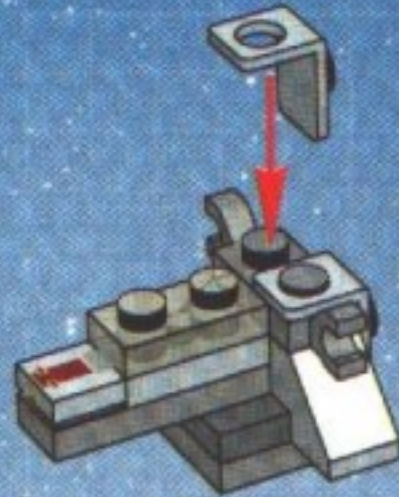
4



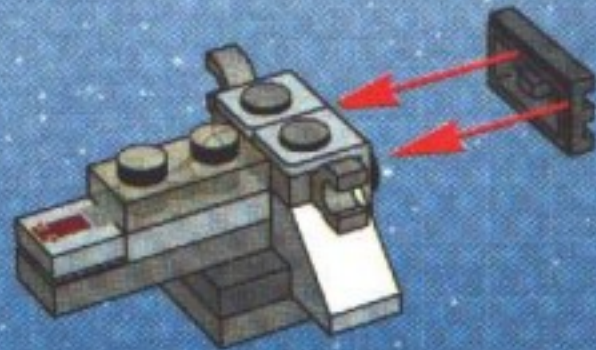
5



6



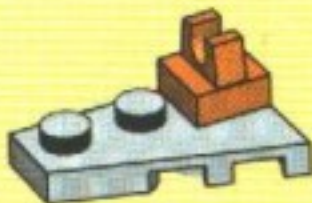
7



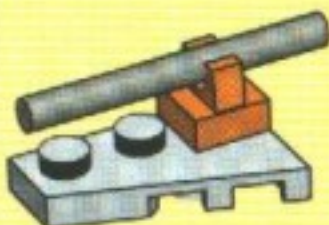
1



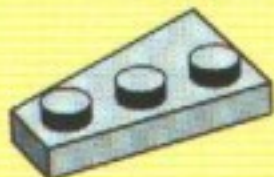
2



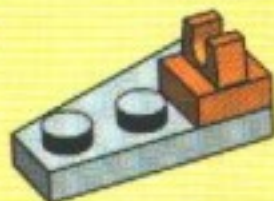
3



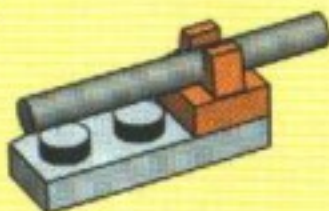
1

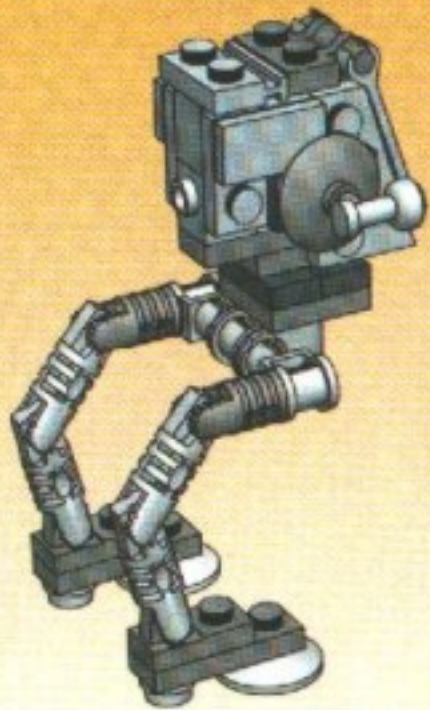


2

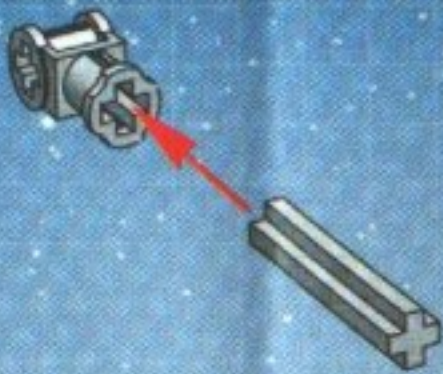


3





1



2



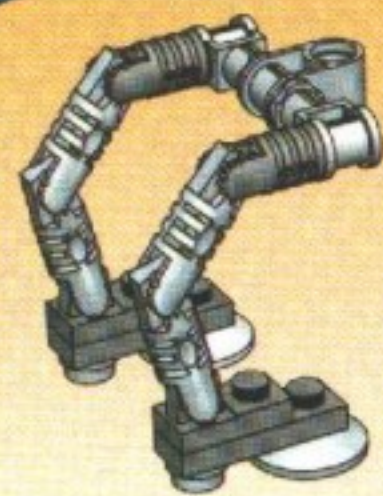
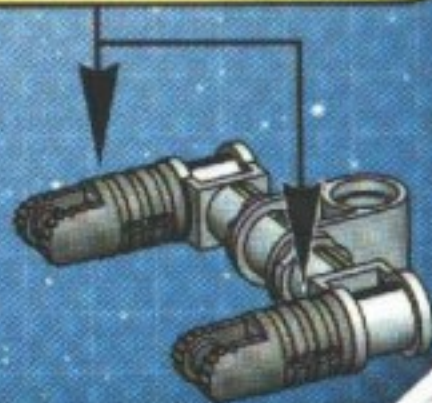
3



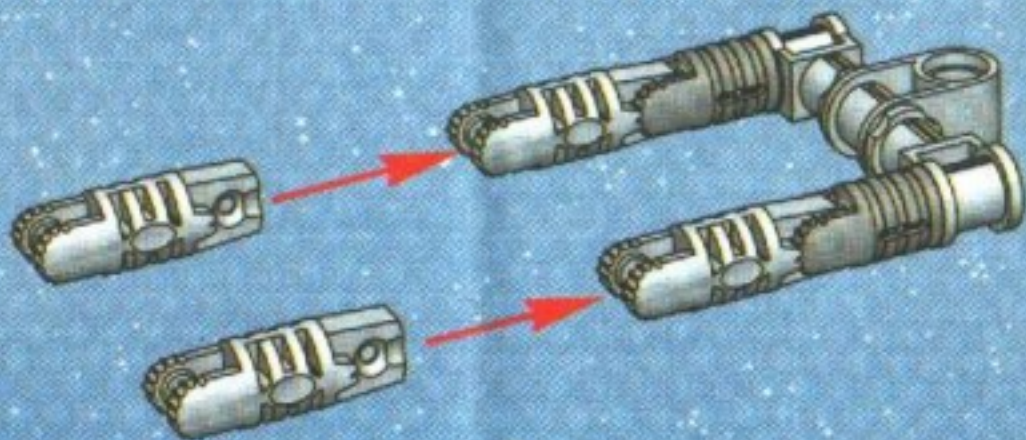
4



2x



5



1



2

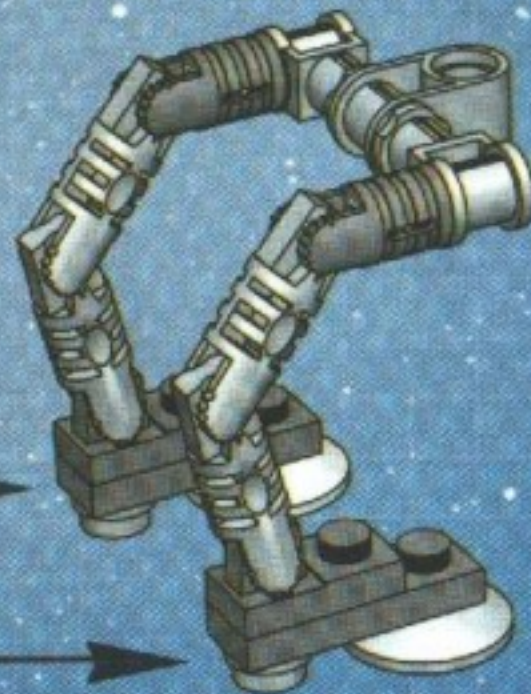


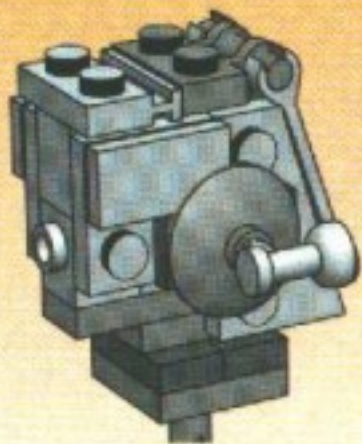
3



2x

6





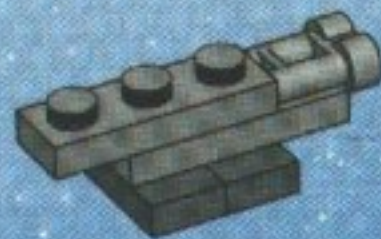
1

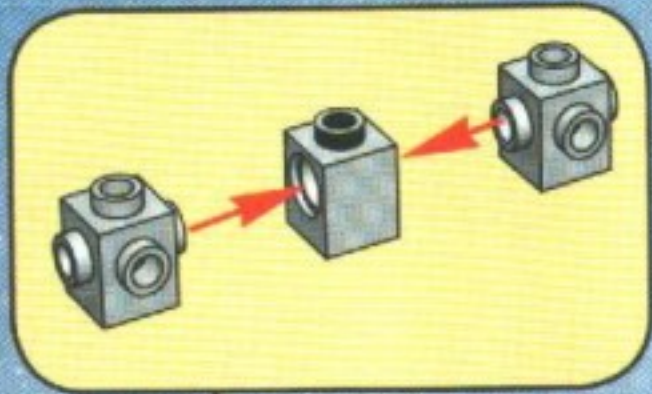


2

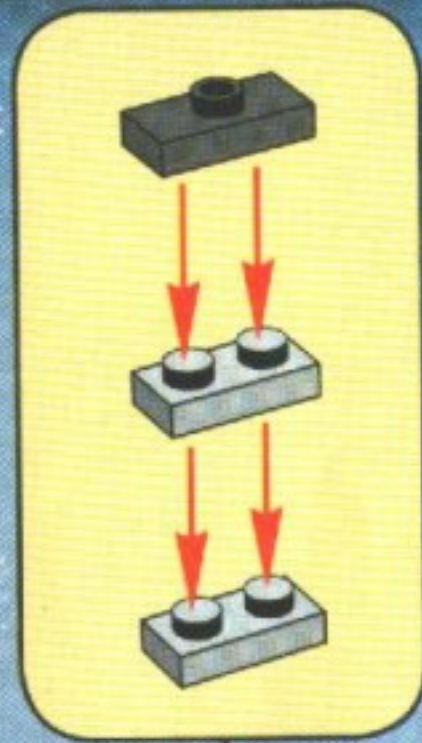


3





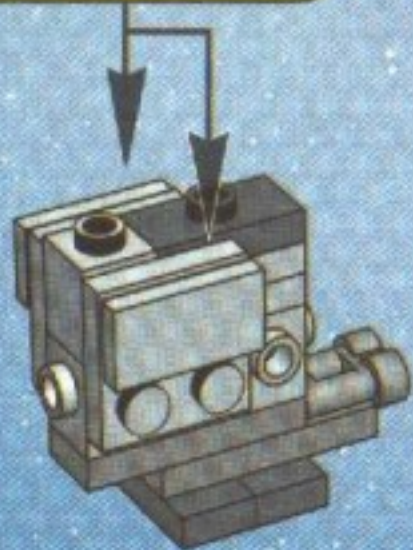
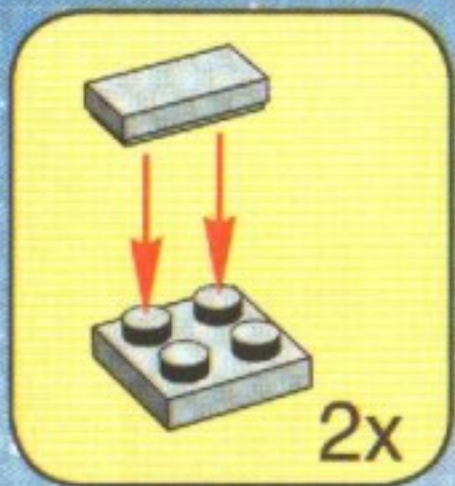
4



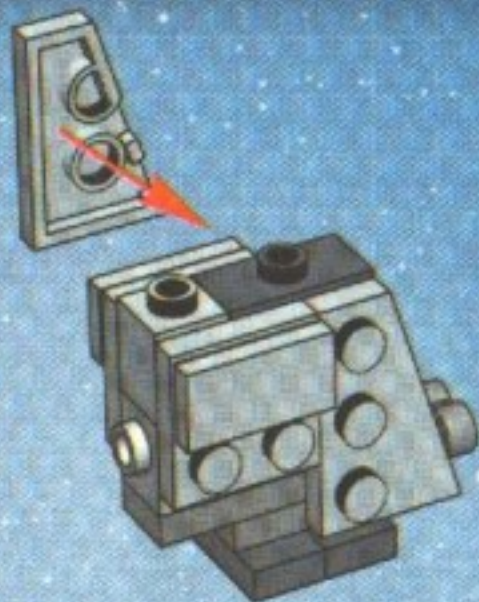
5



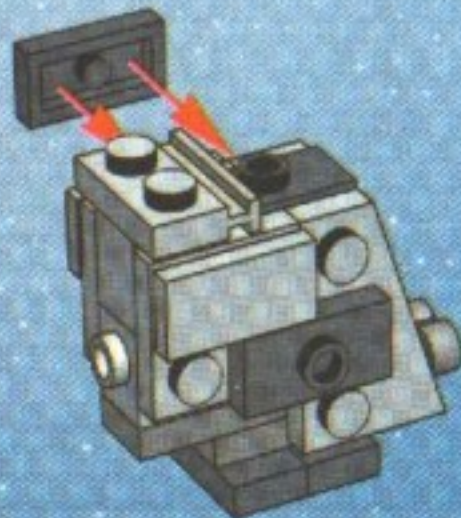
6



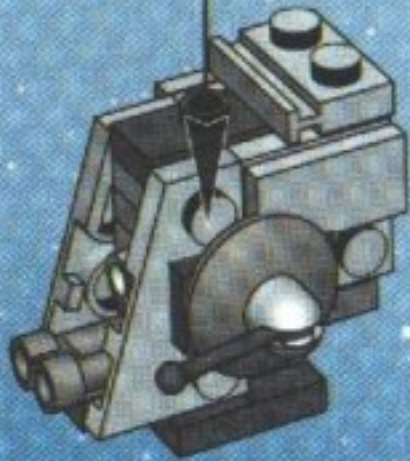
7



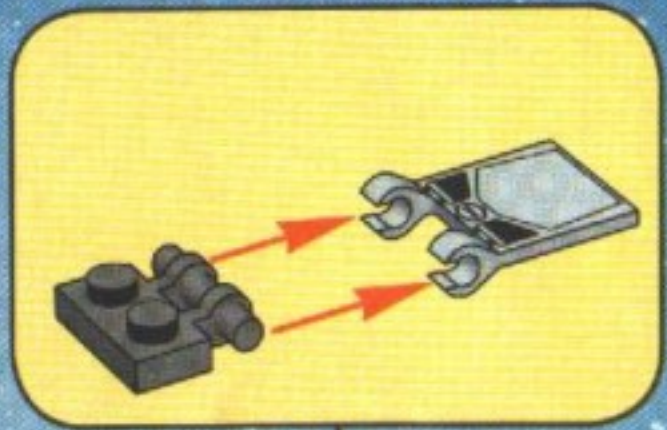
8



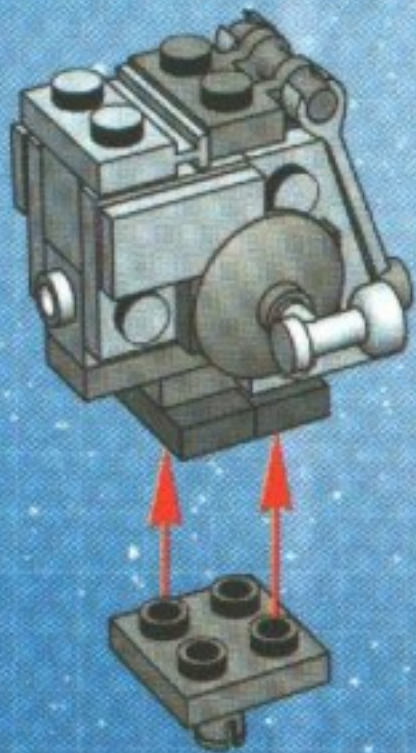
9



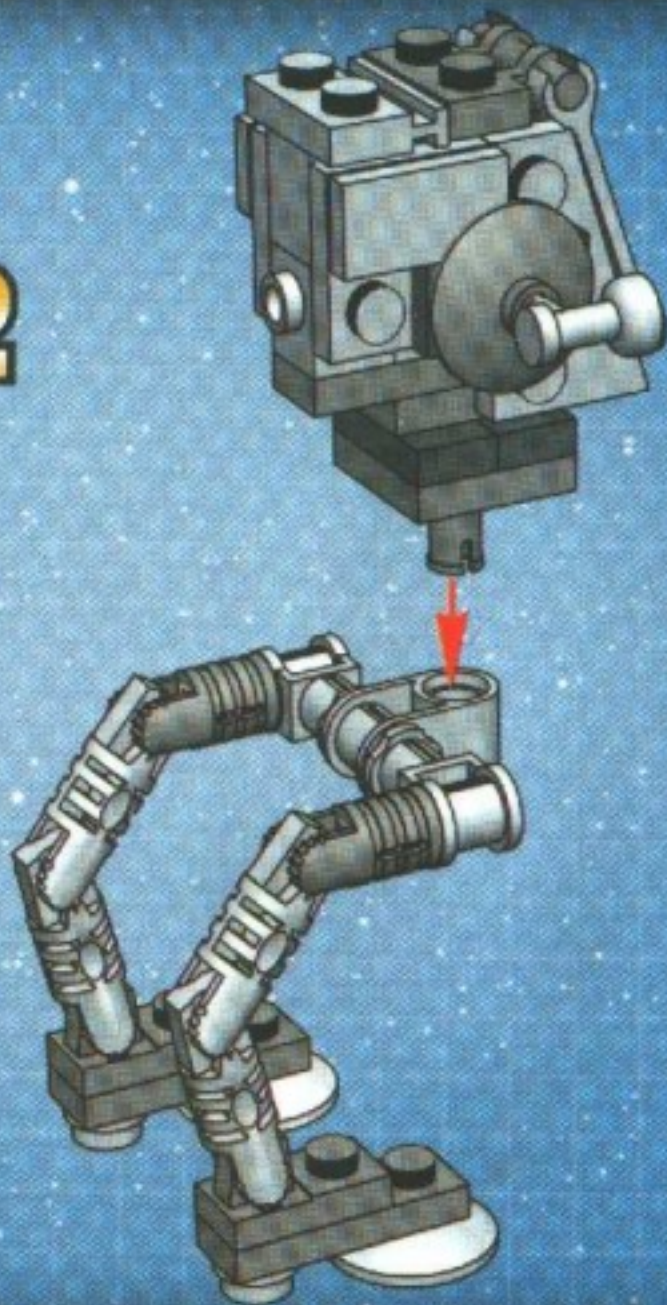
10



11



12

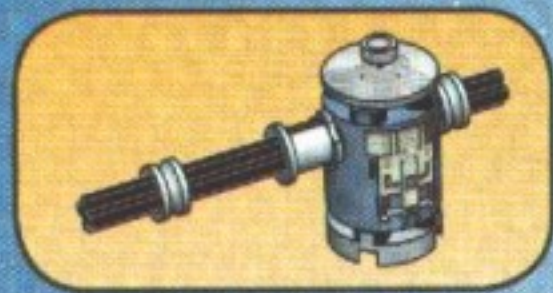


LEGO

**STAR
WARS**

AN

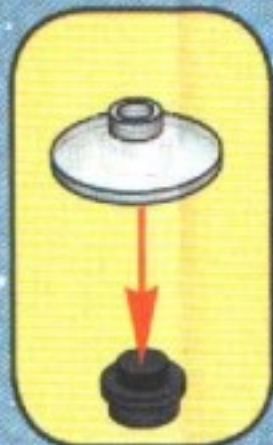




1



2



3



4

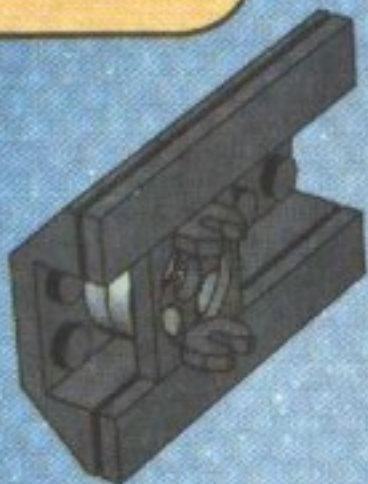


5

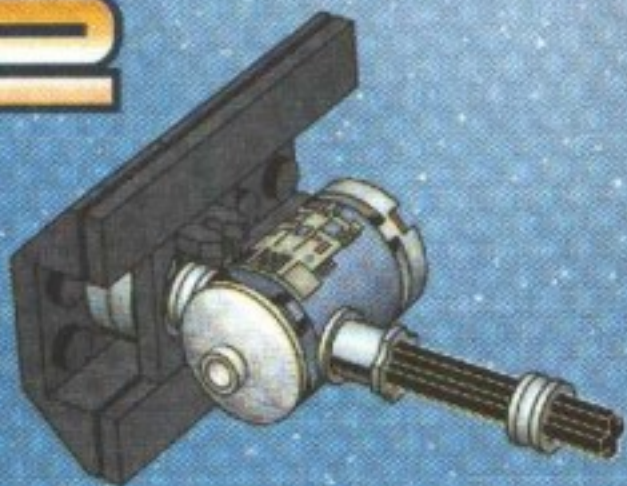




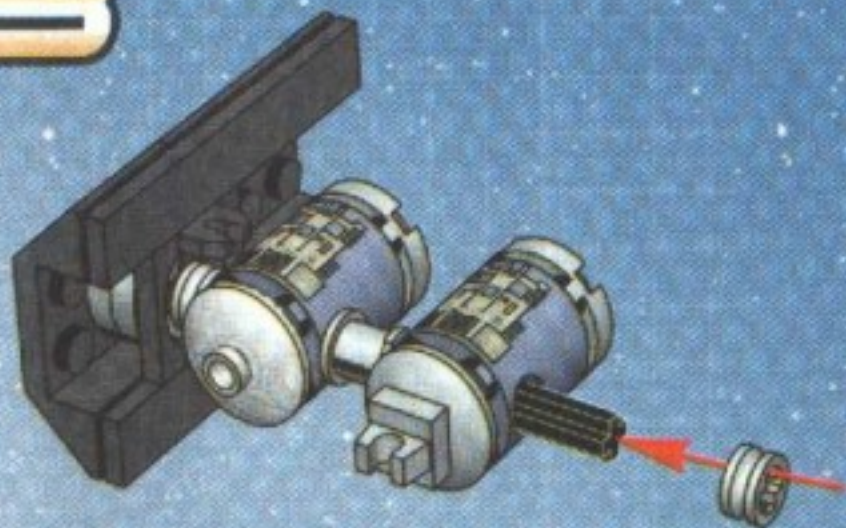
1



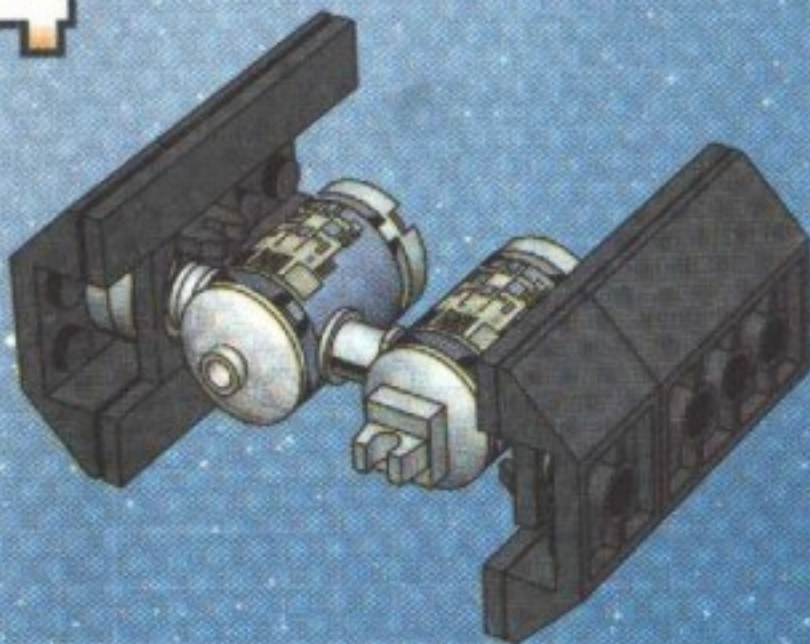
2



B



4



STAR WARS
WWW.STARWARS.COM



www.LEGO.com



LEGO, the LEGO logo and the minifigure are trademarks of the LEGO Group.
© 2003 The LEGO Group.

© 2003 Lucasfilm Ltd. & TM. All rights reserved. Used under authorization