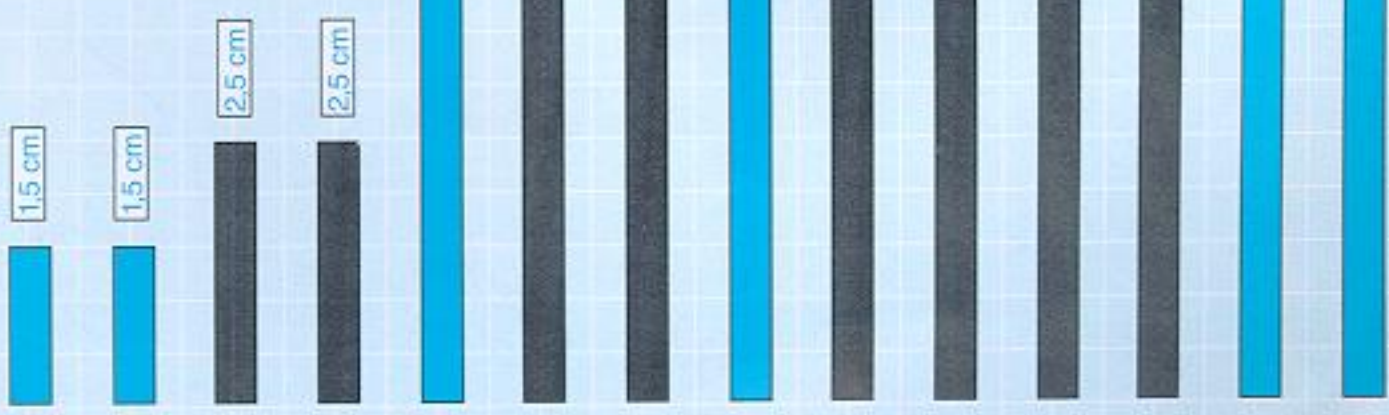
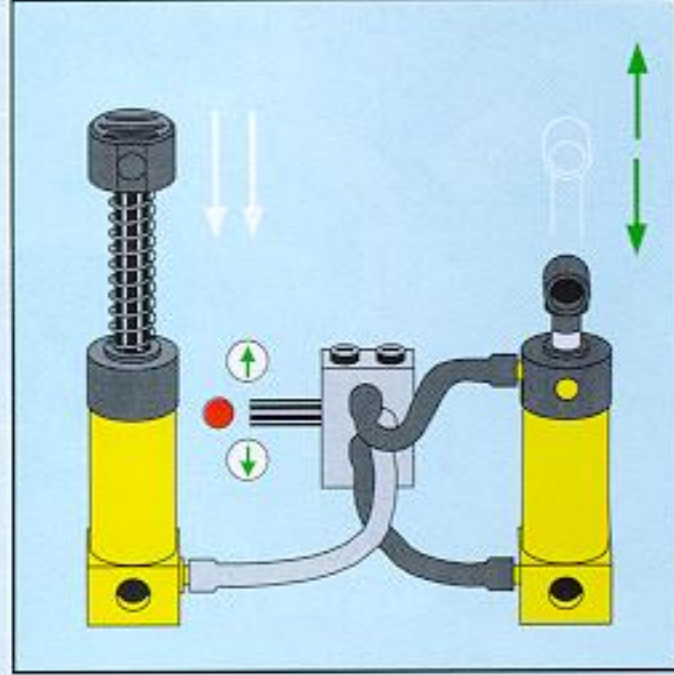
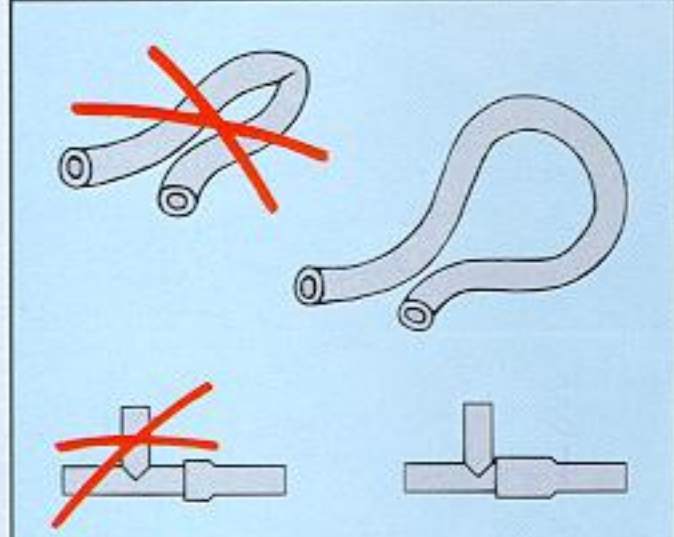
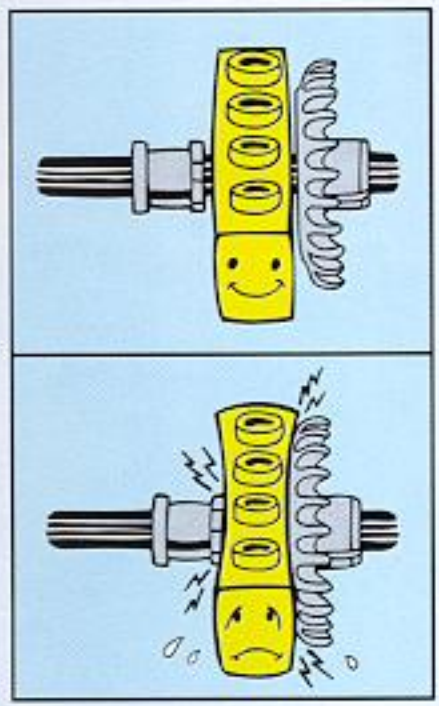
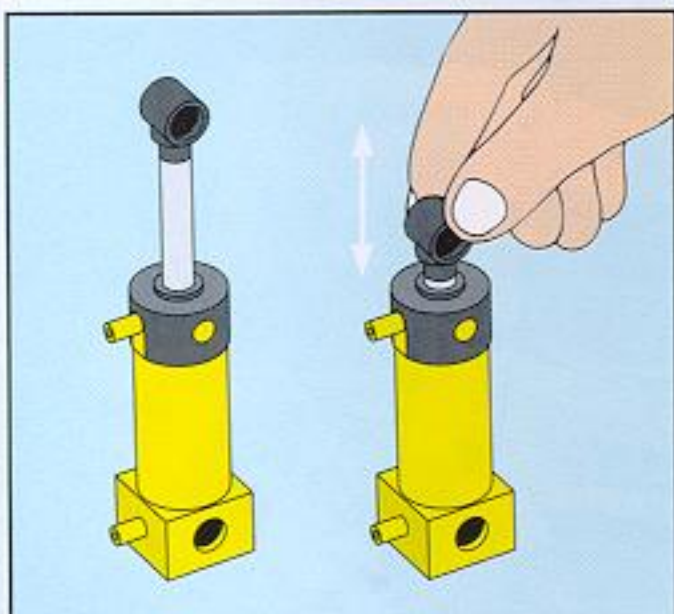
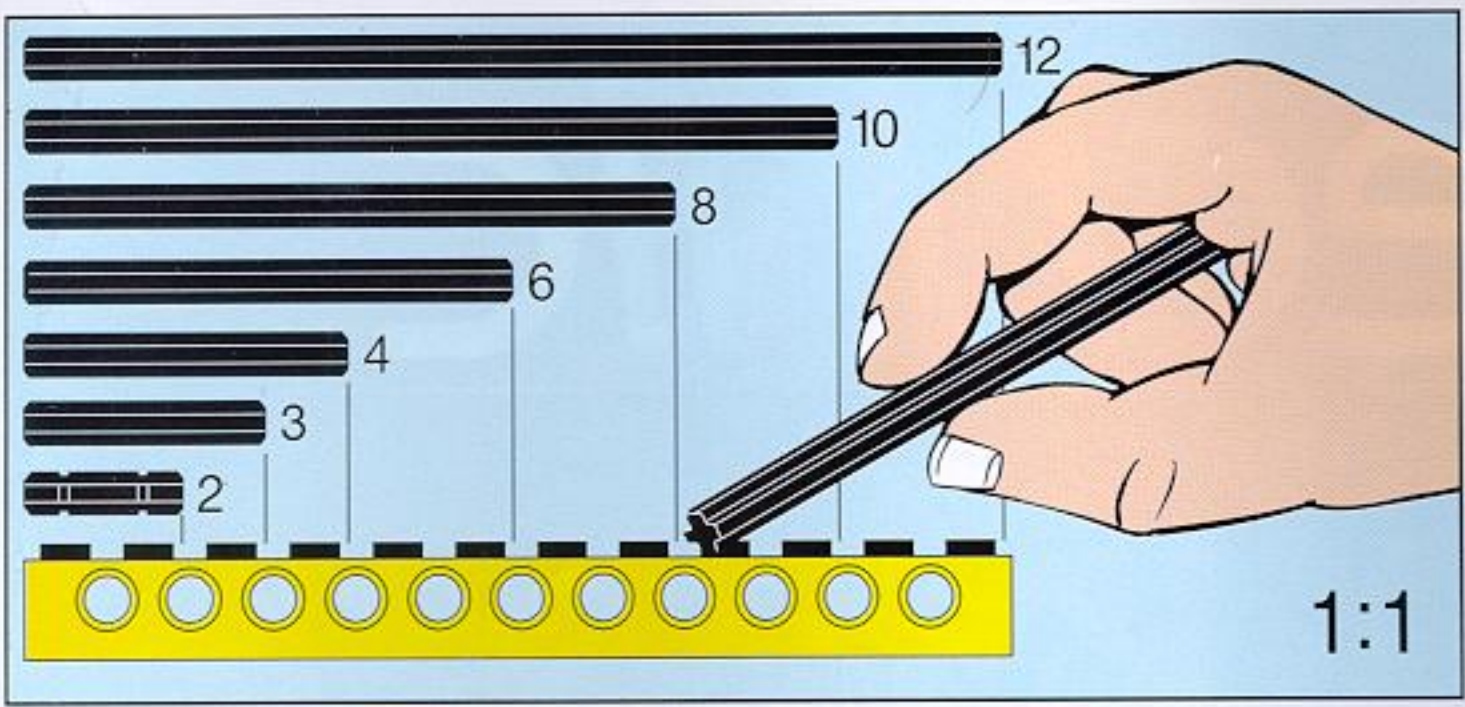




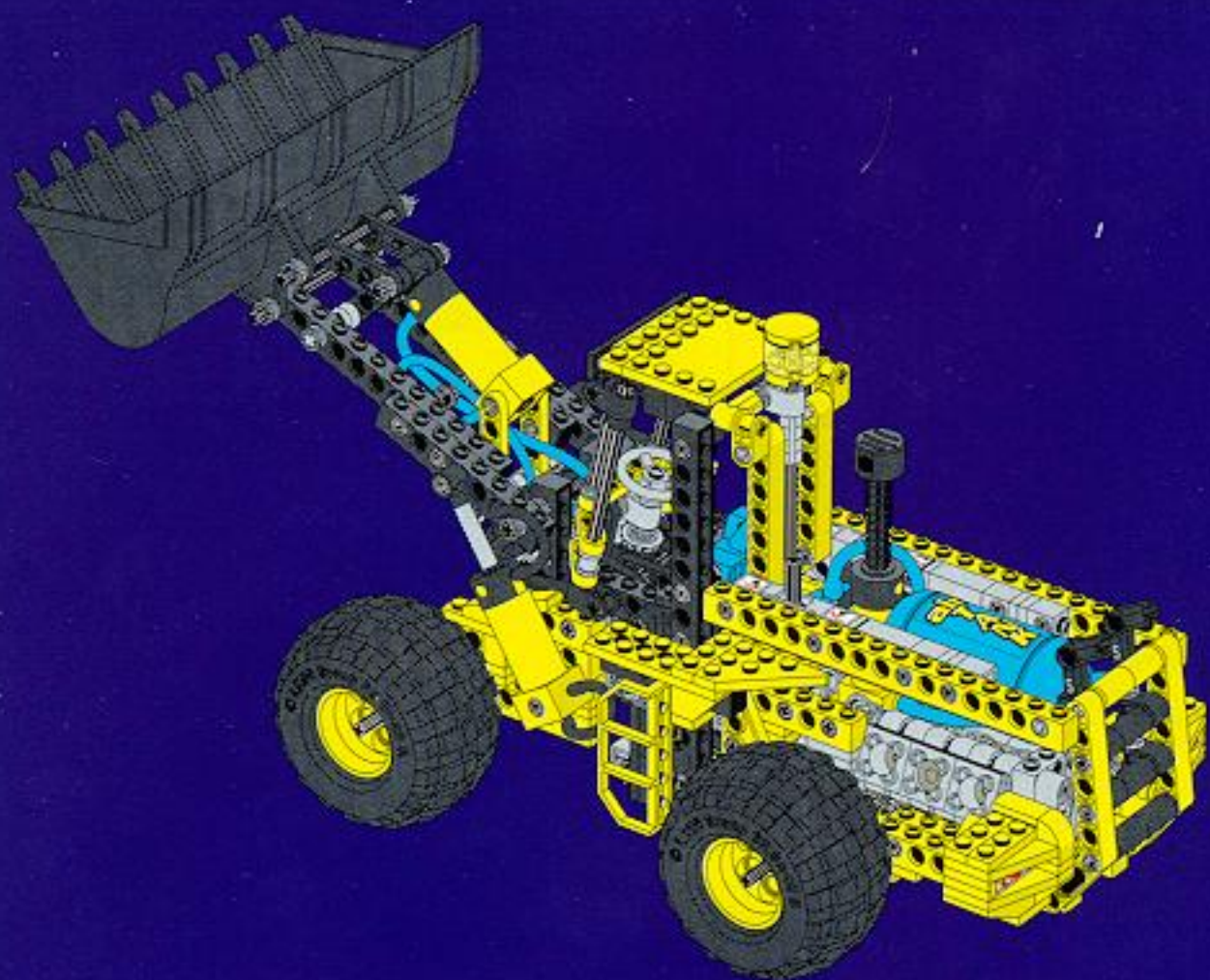
TECHNIC

8464

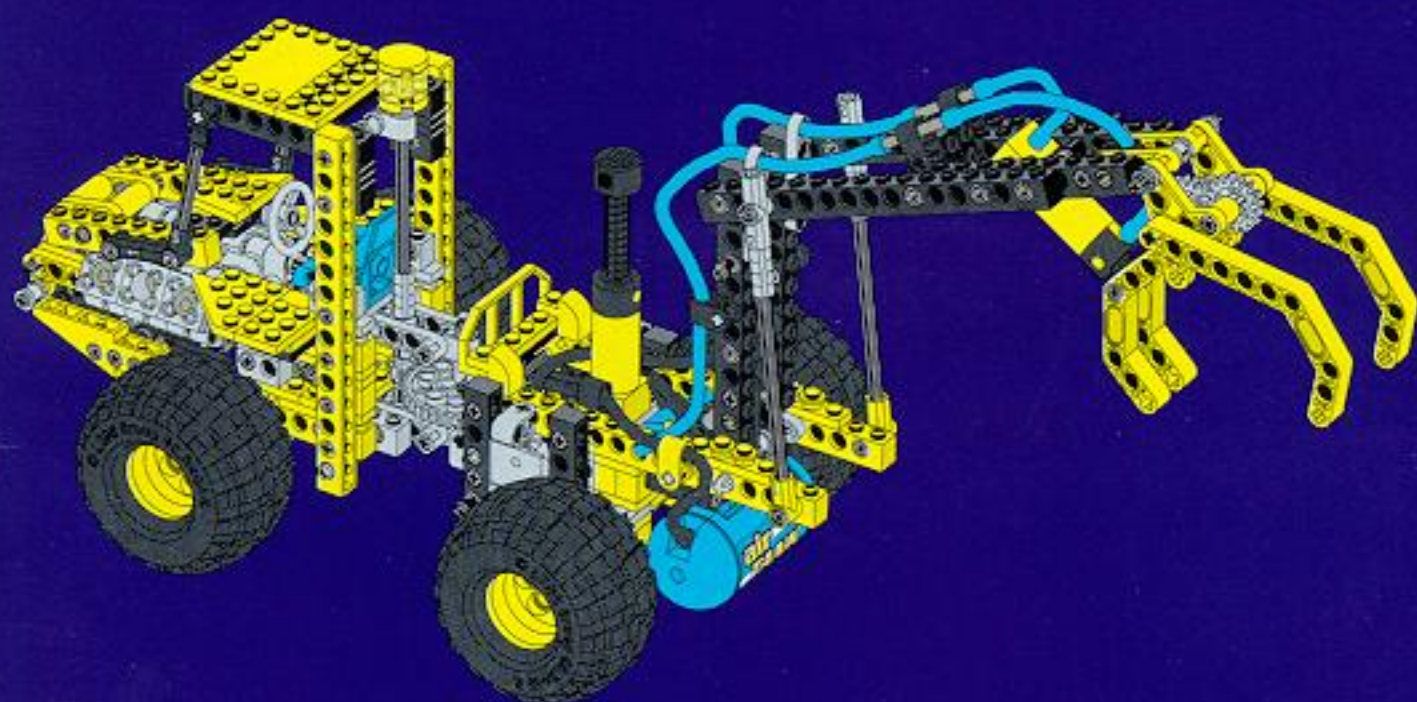




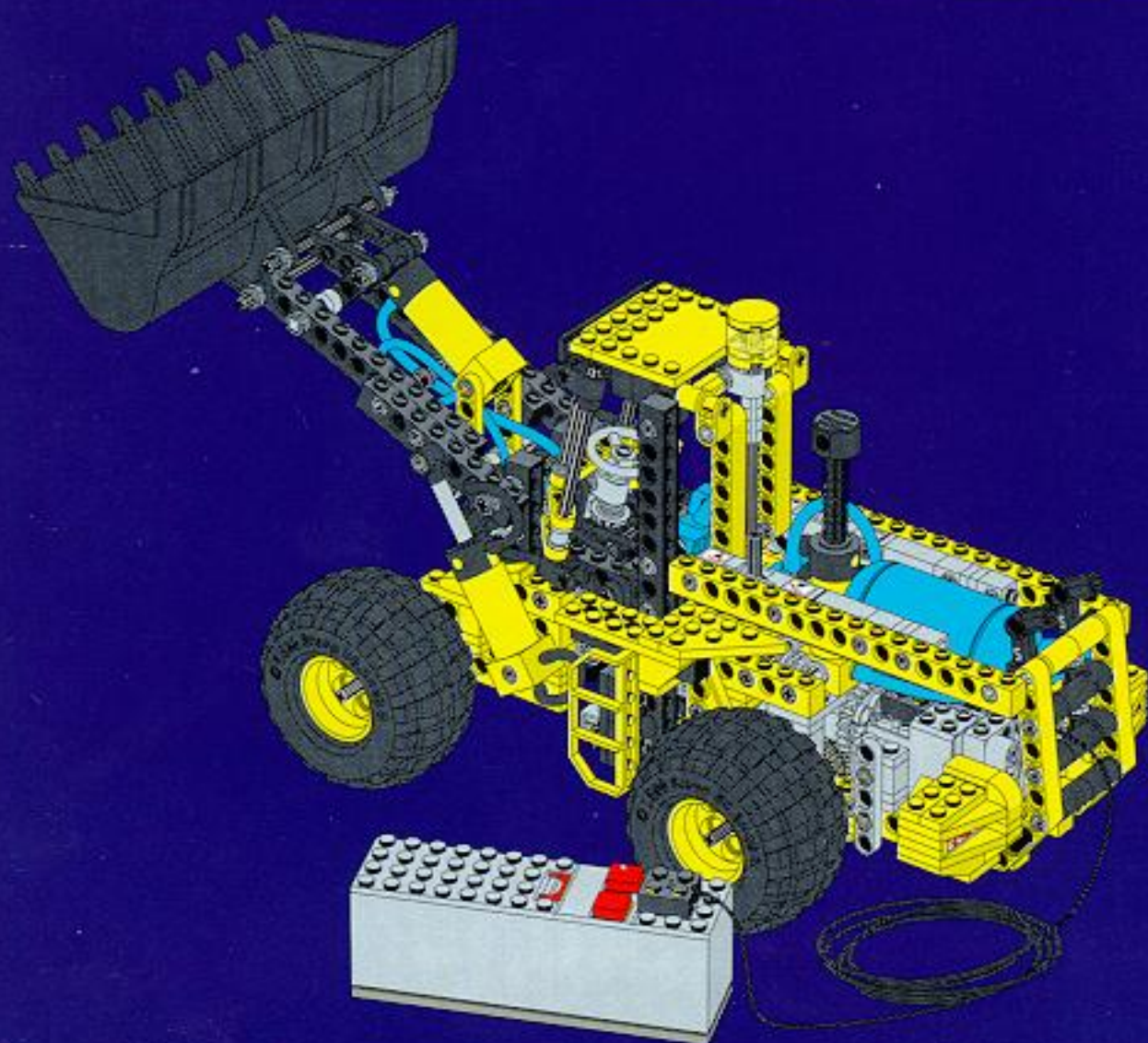
0 1 2 3 4 5 6 7 8 9 10 11 12 13 14 15 16 17 18 19 20 21 22 23 24 25 26 27 CM



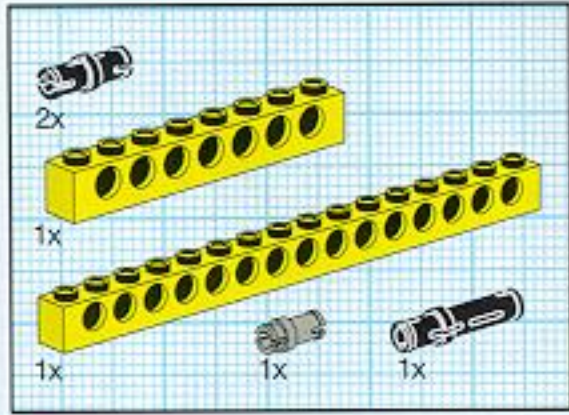
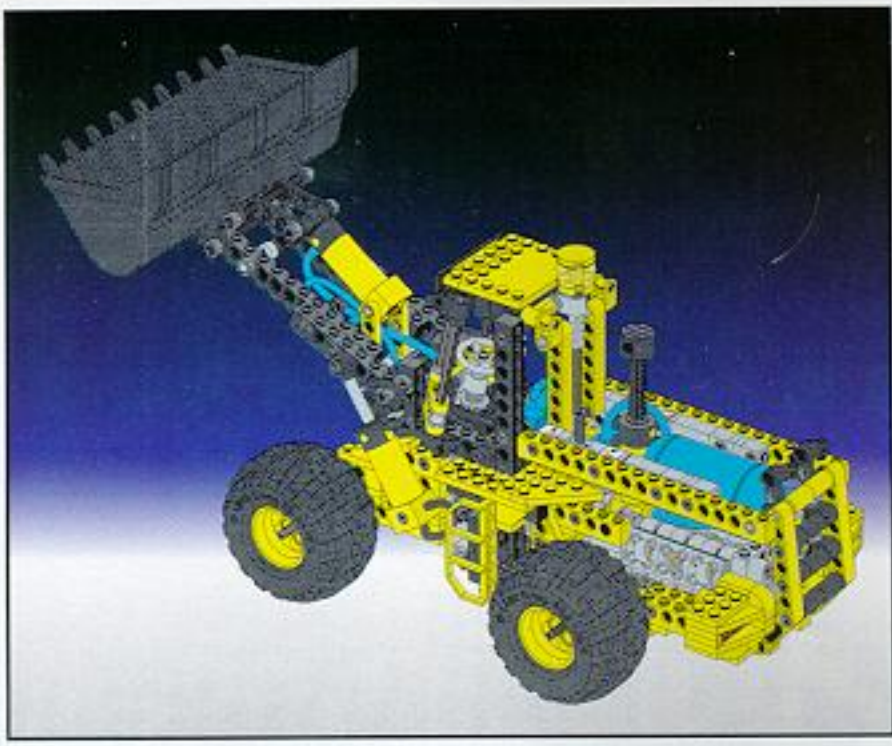
4 - 49



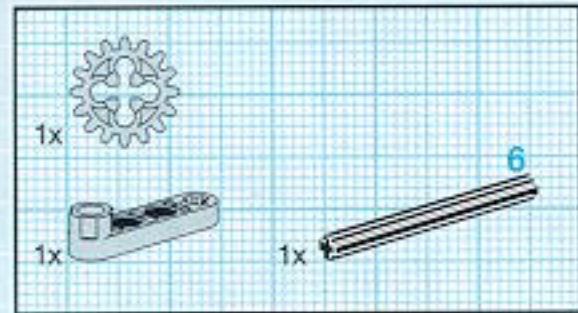
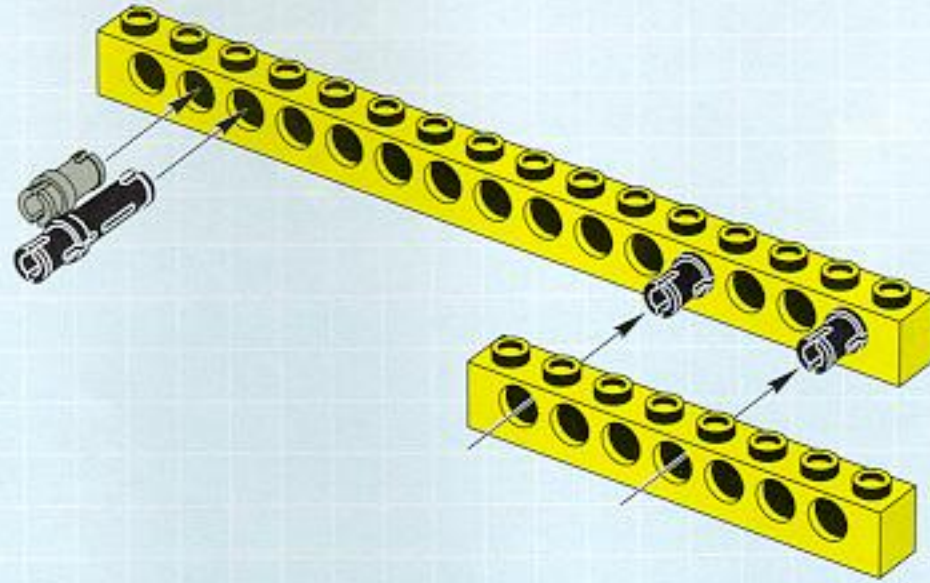
50 - 89



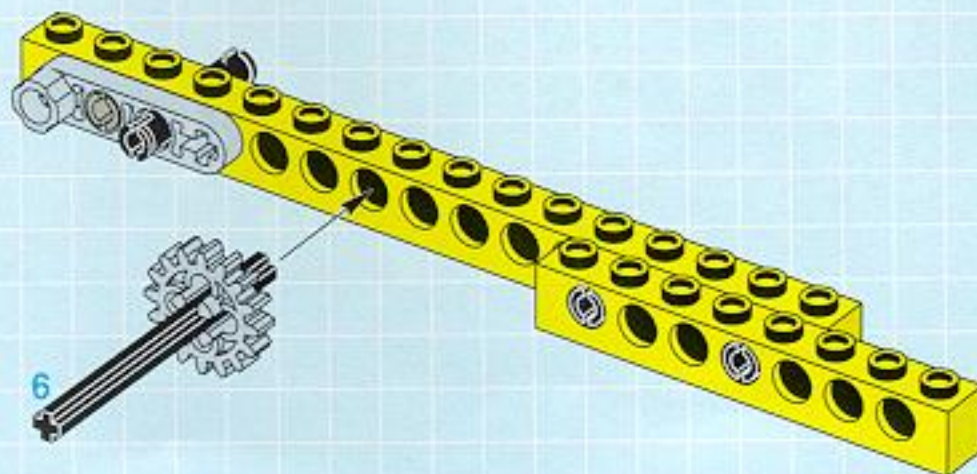
90 - 98

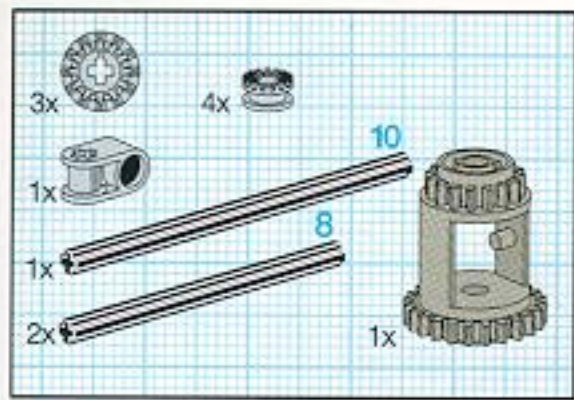


1

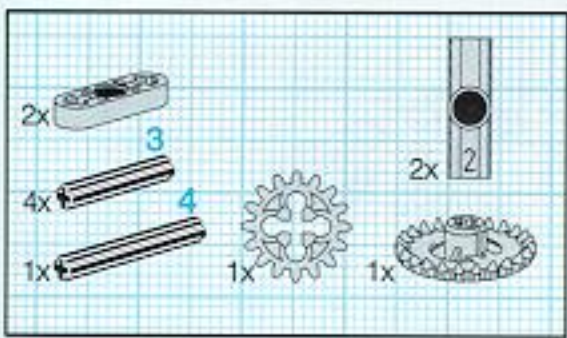
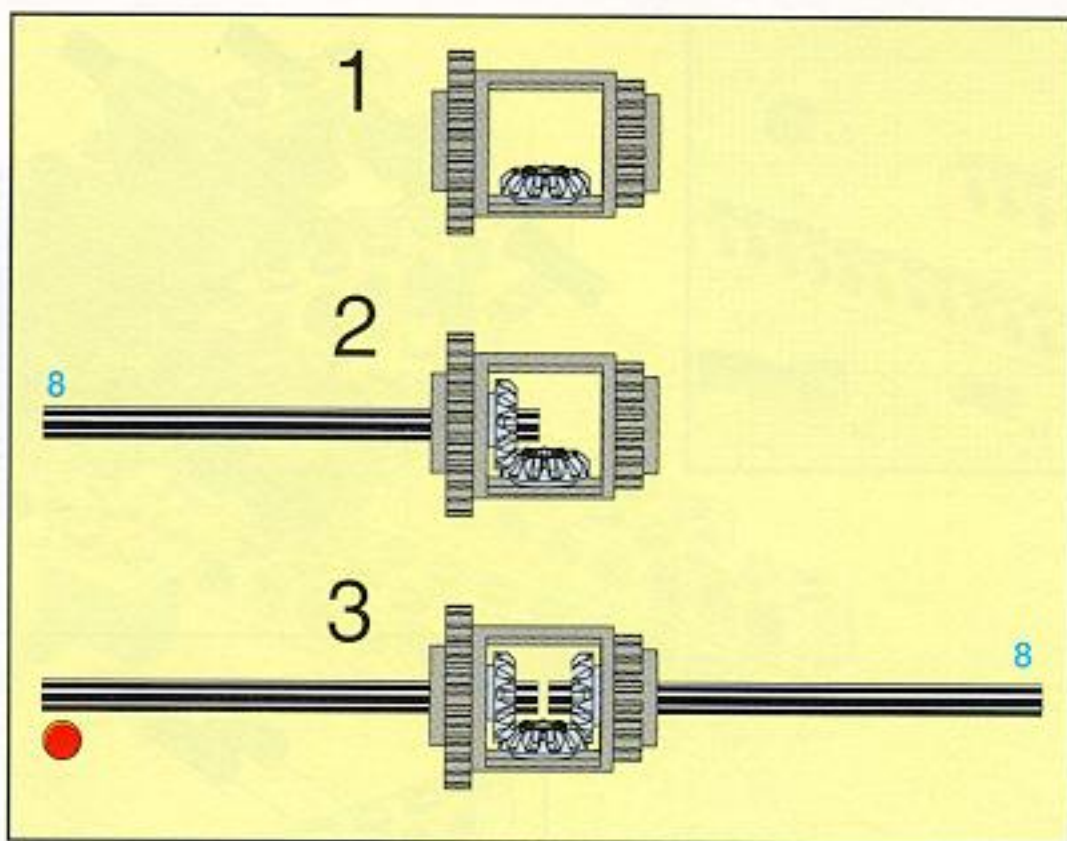
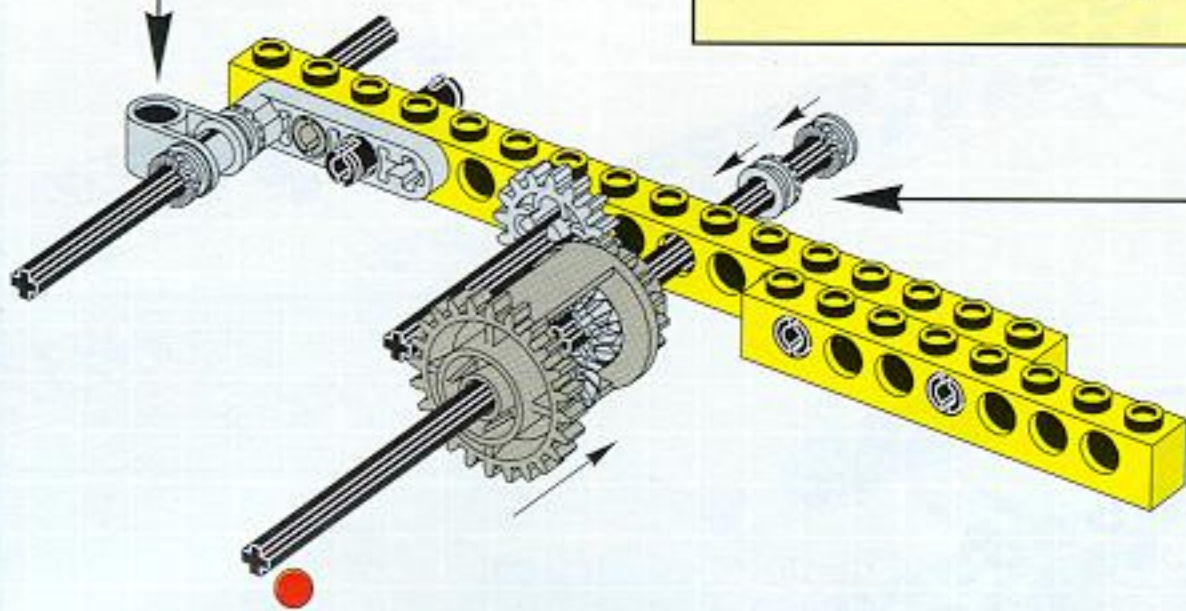
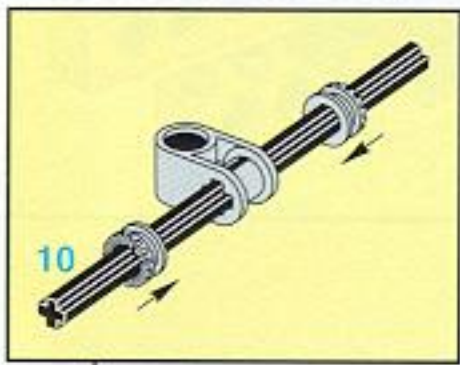


2

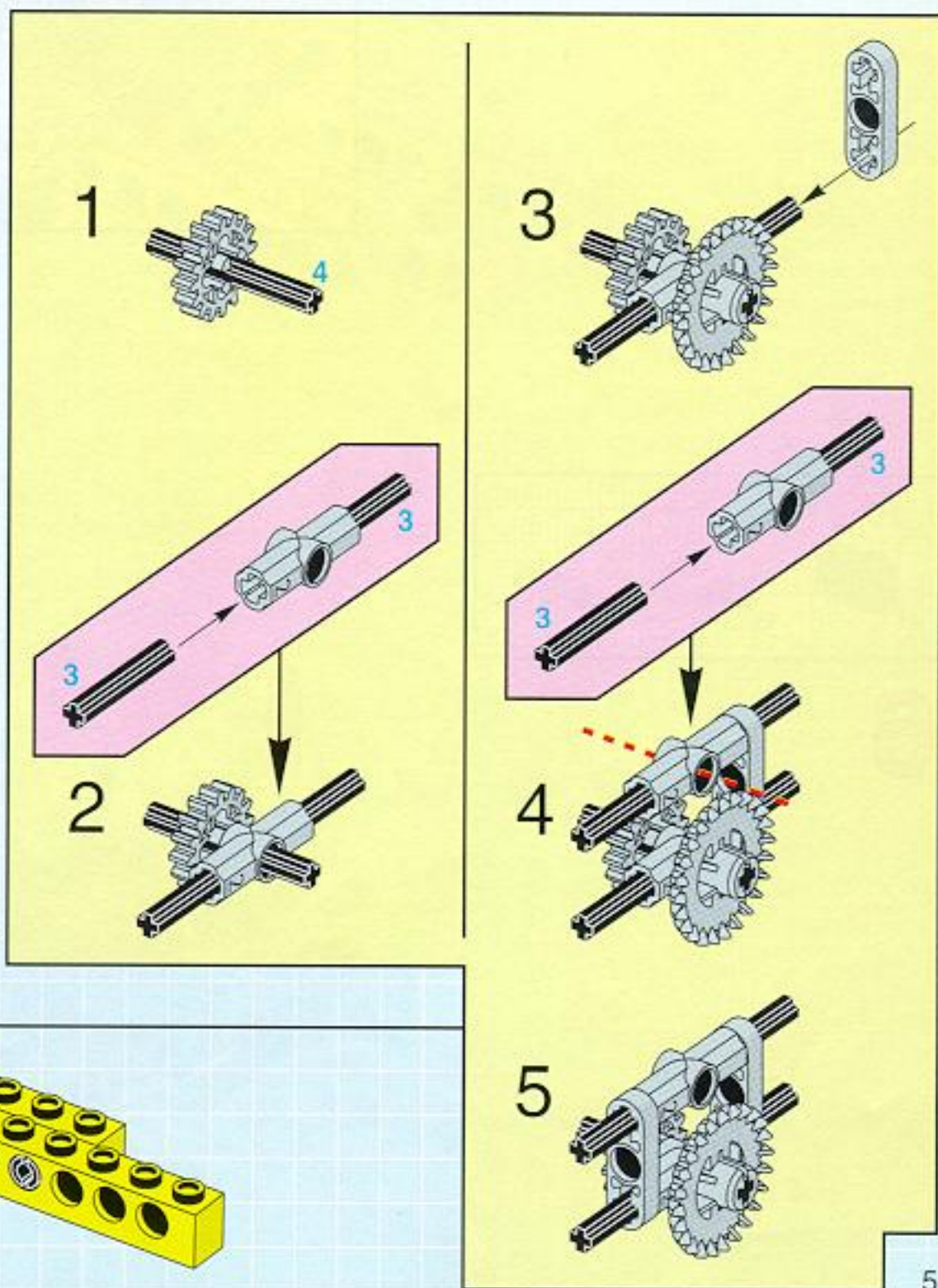
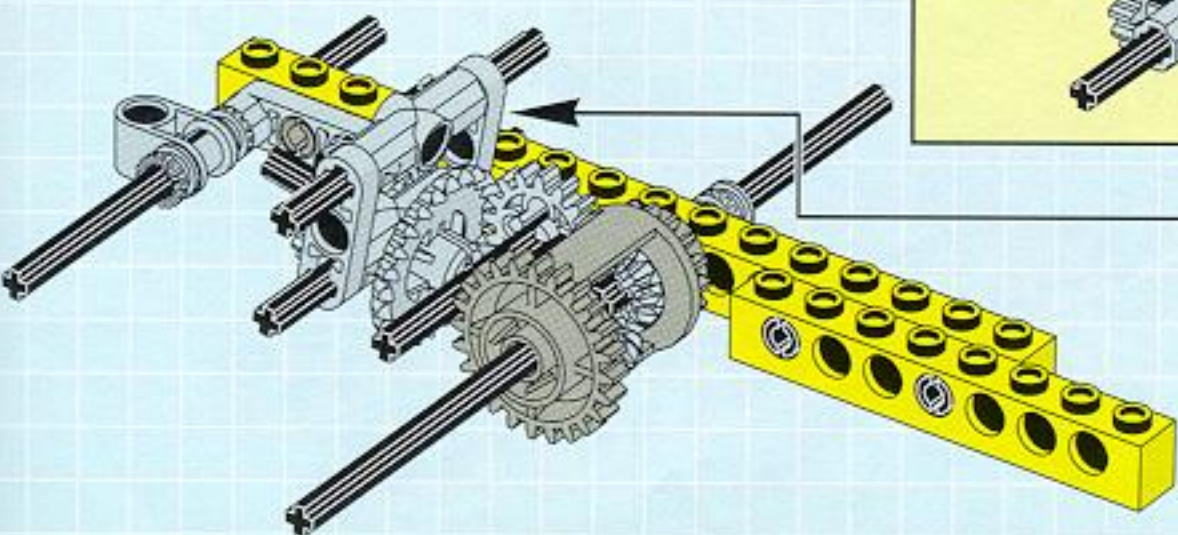


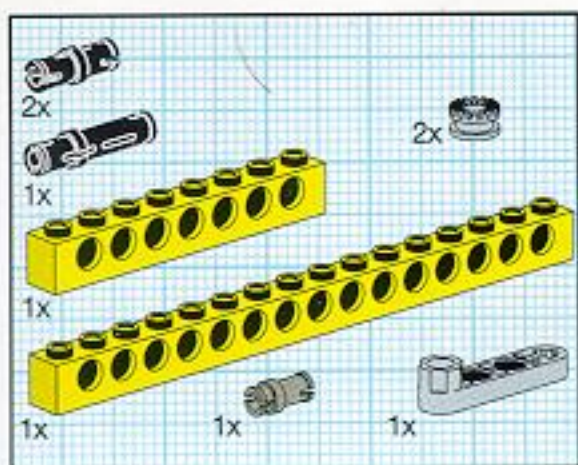


3

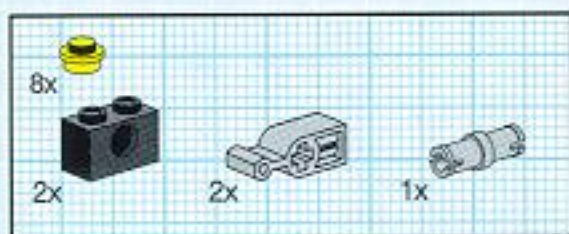
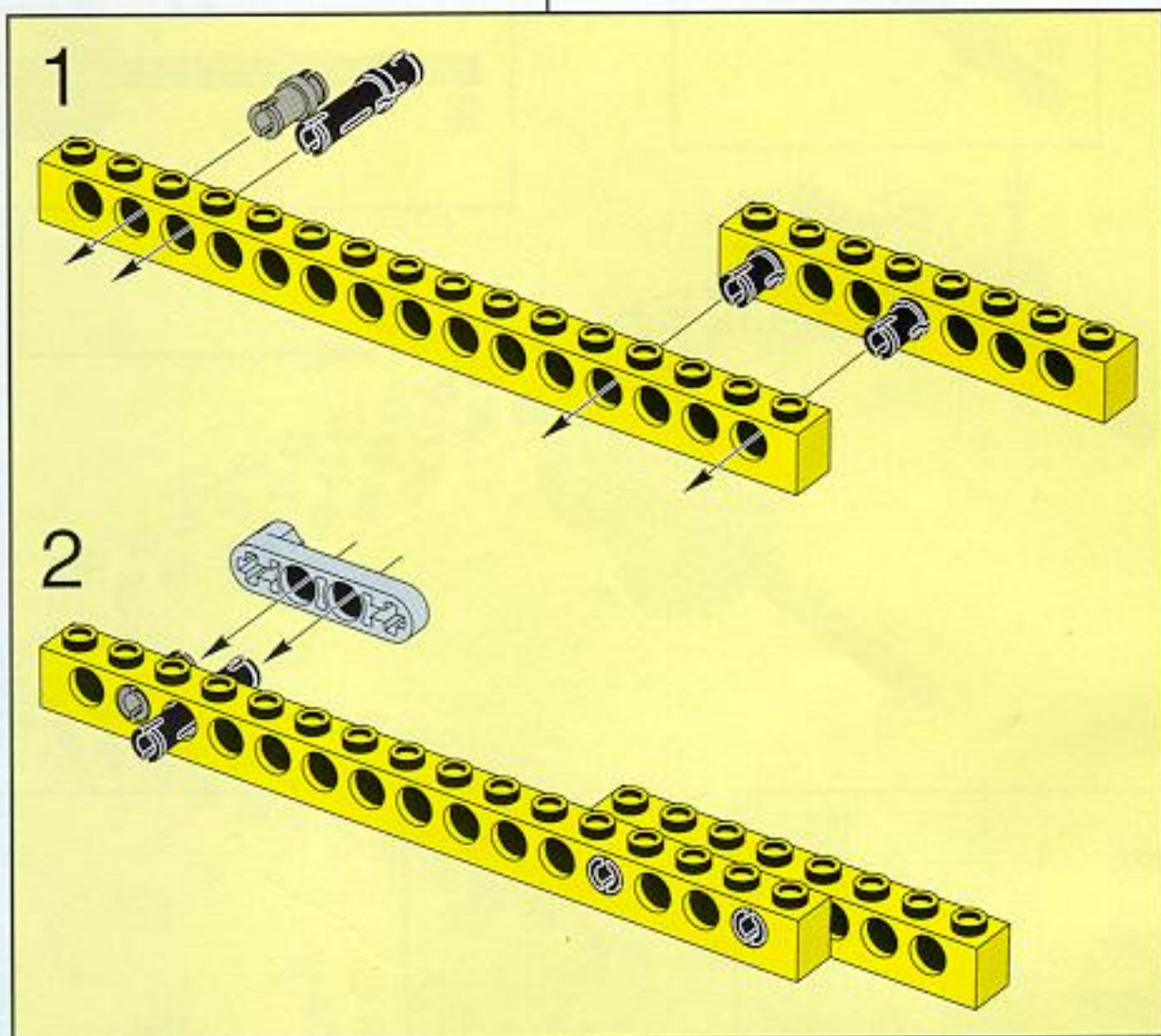
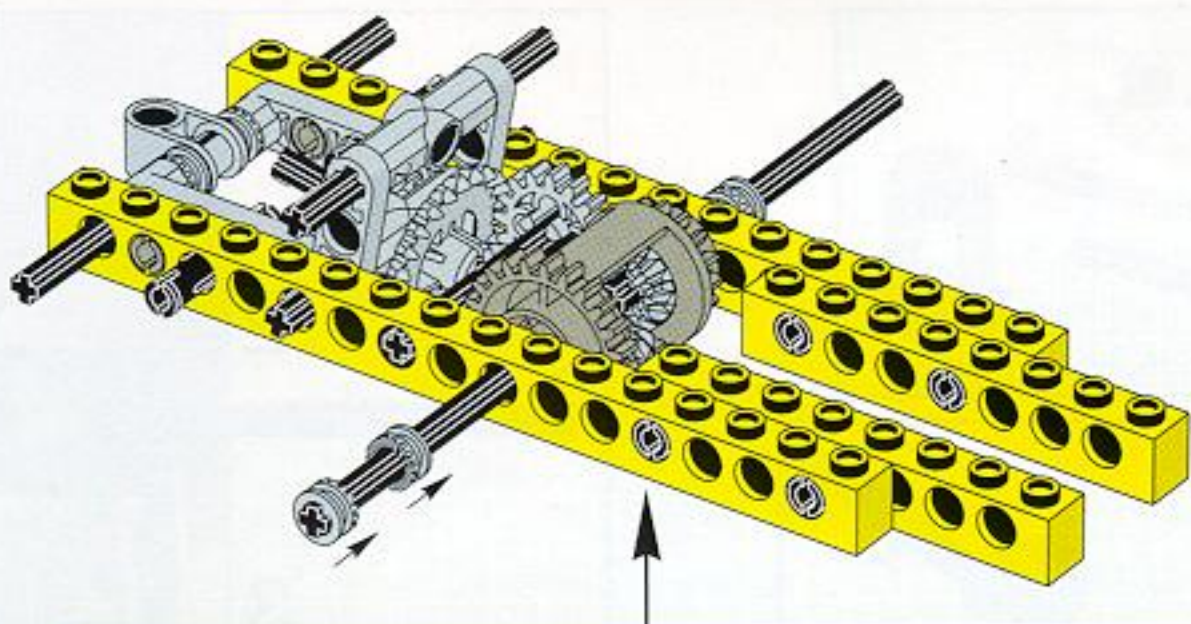


4

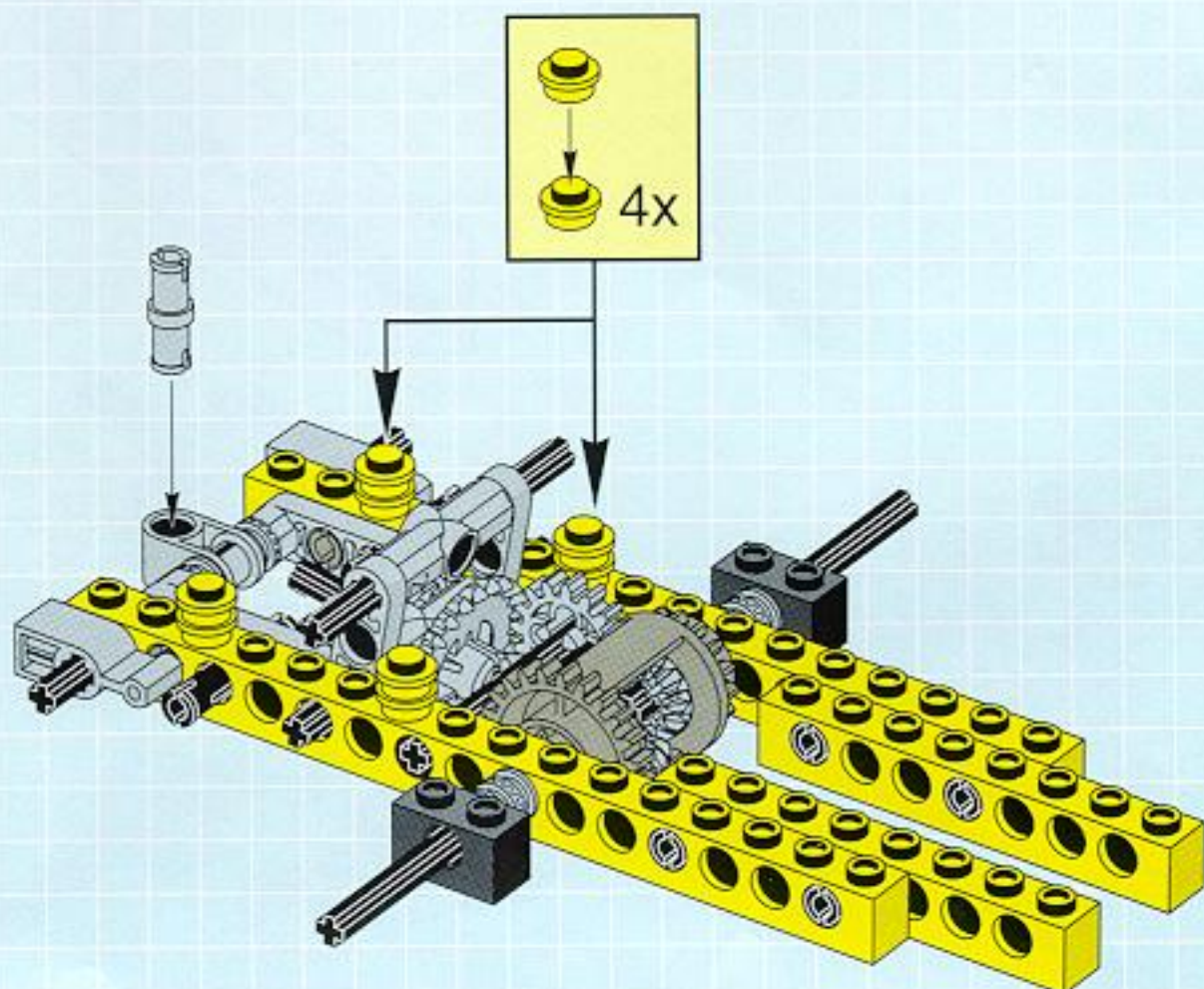




5

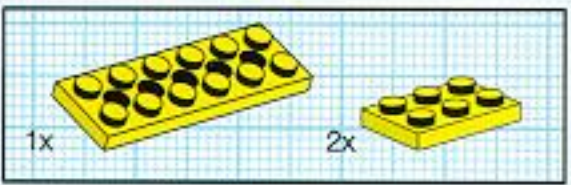
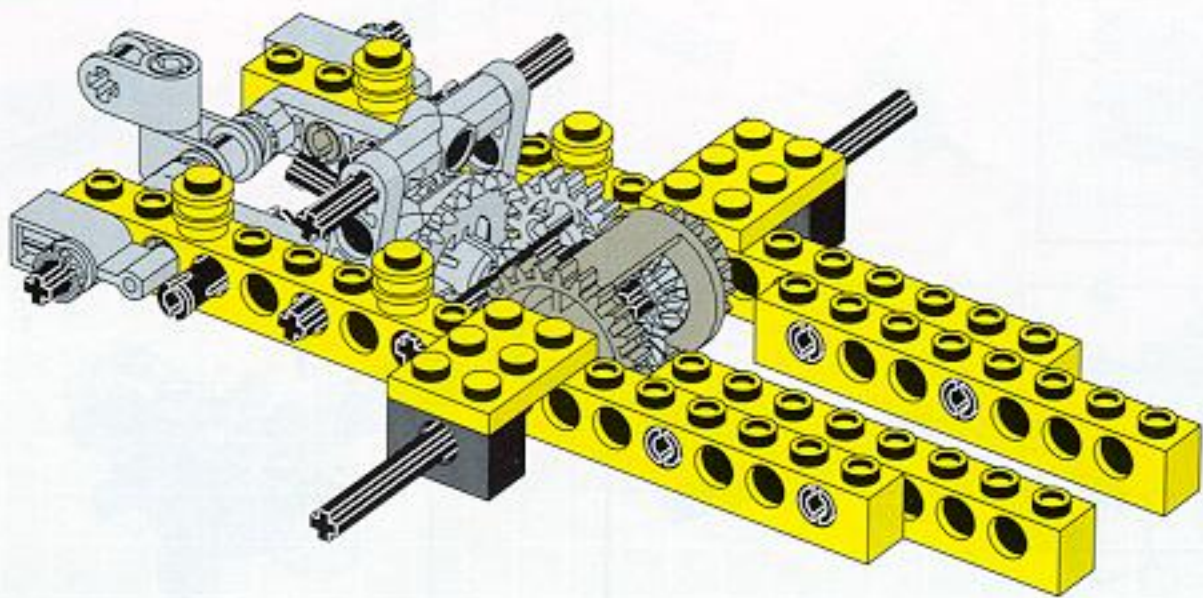


6

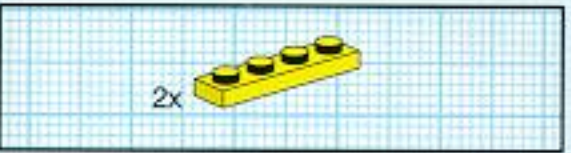
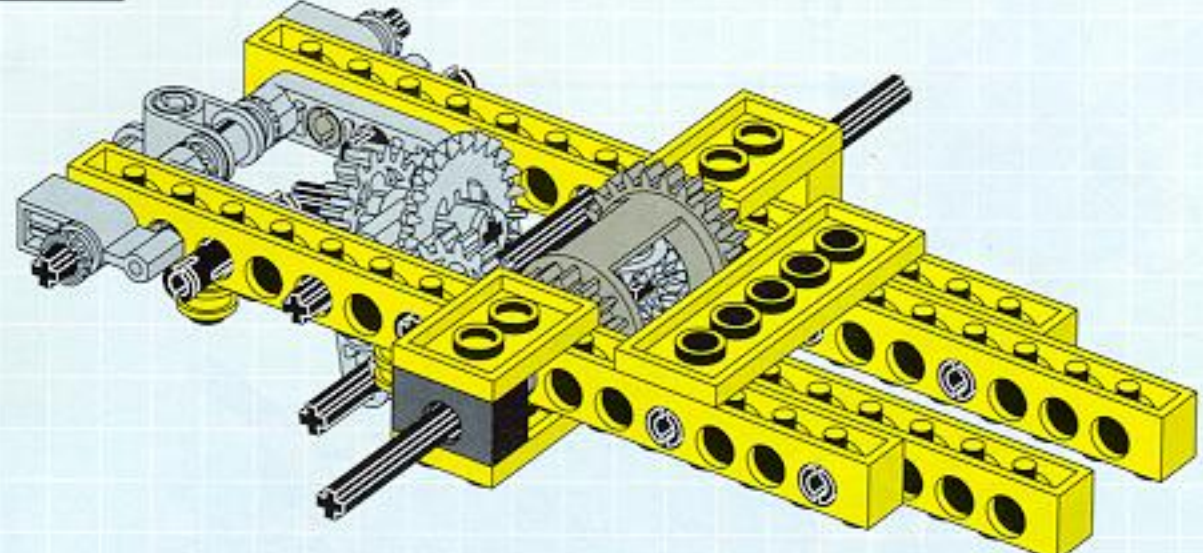




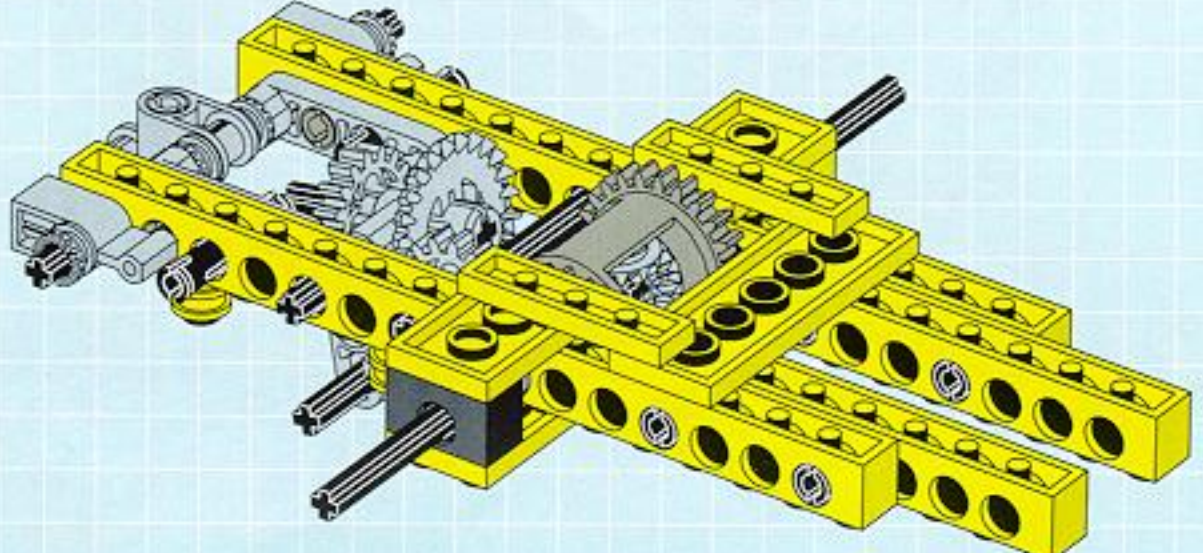
7

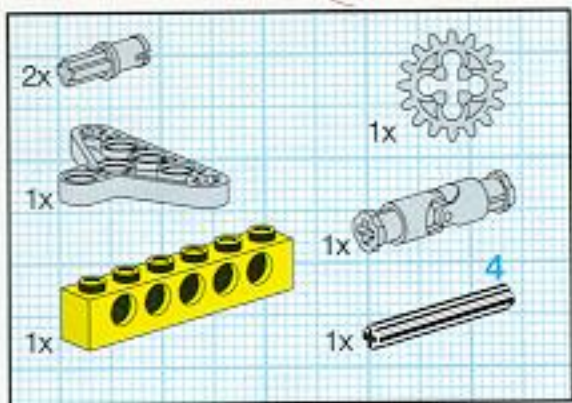


8

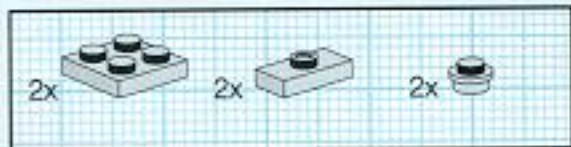
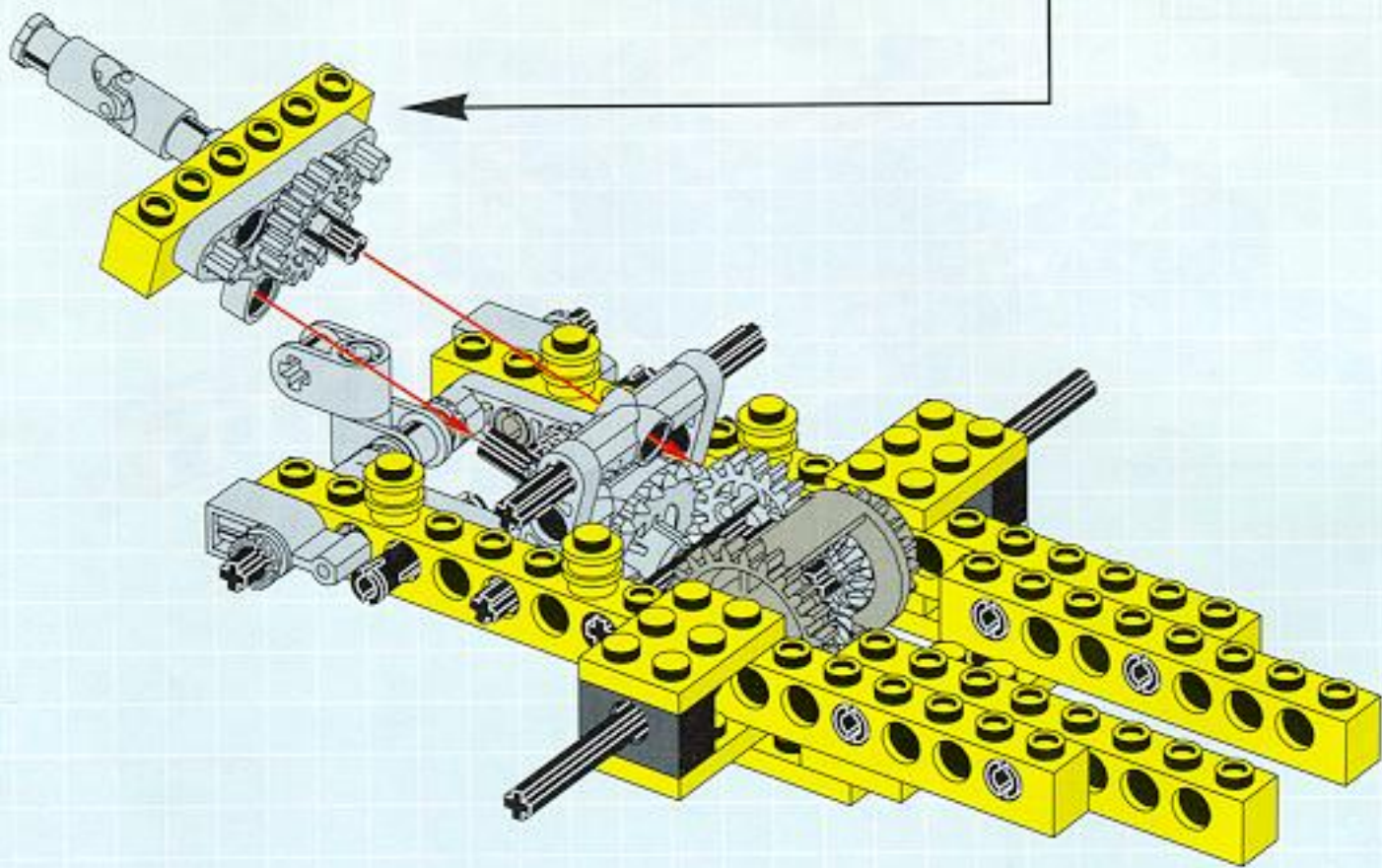
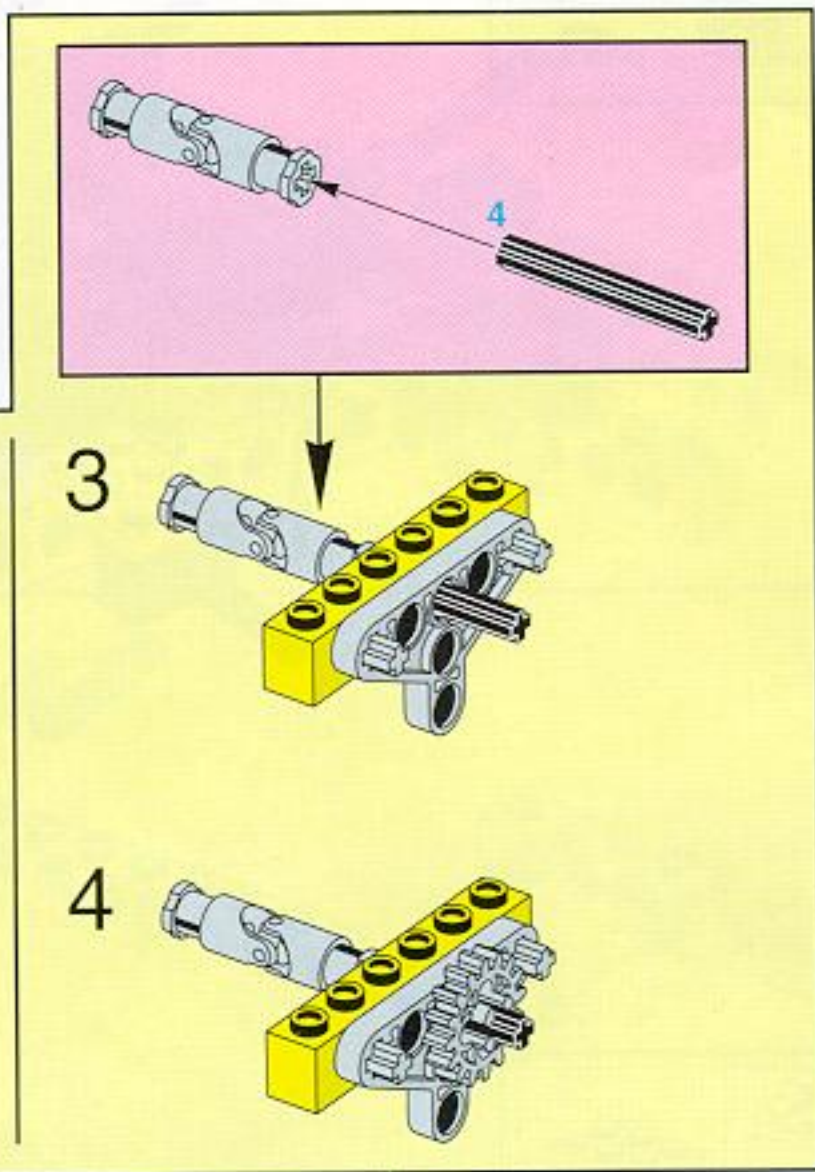


9

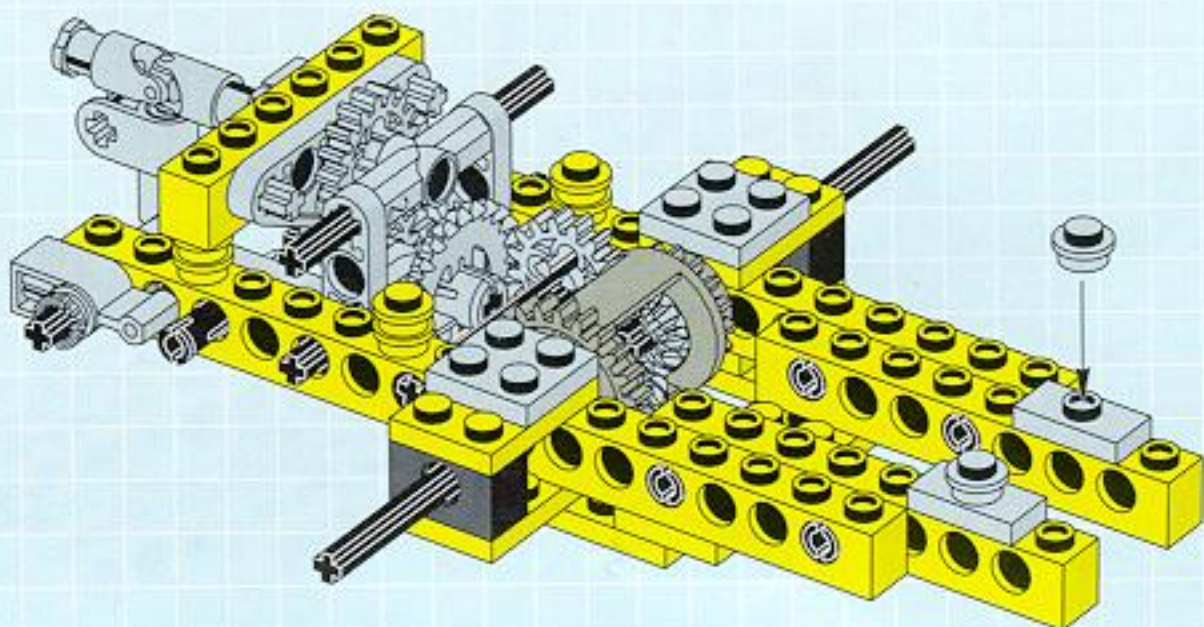


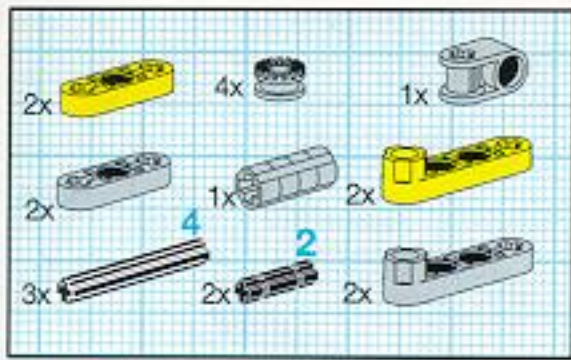


10

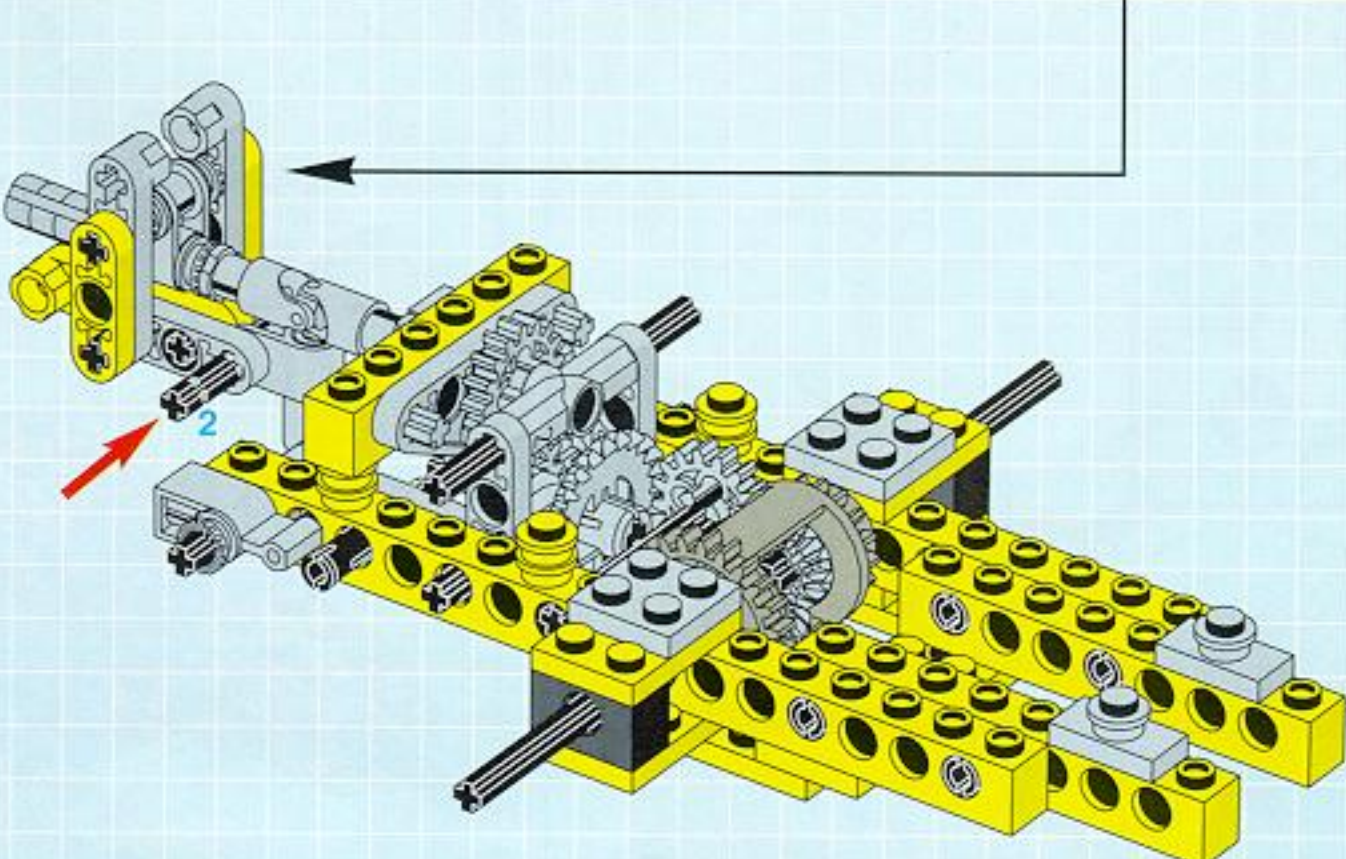
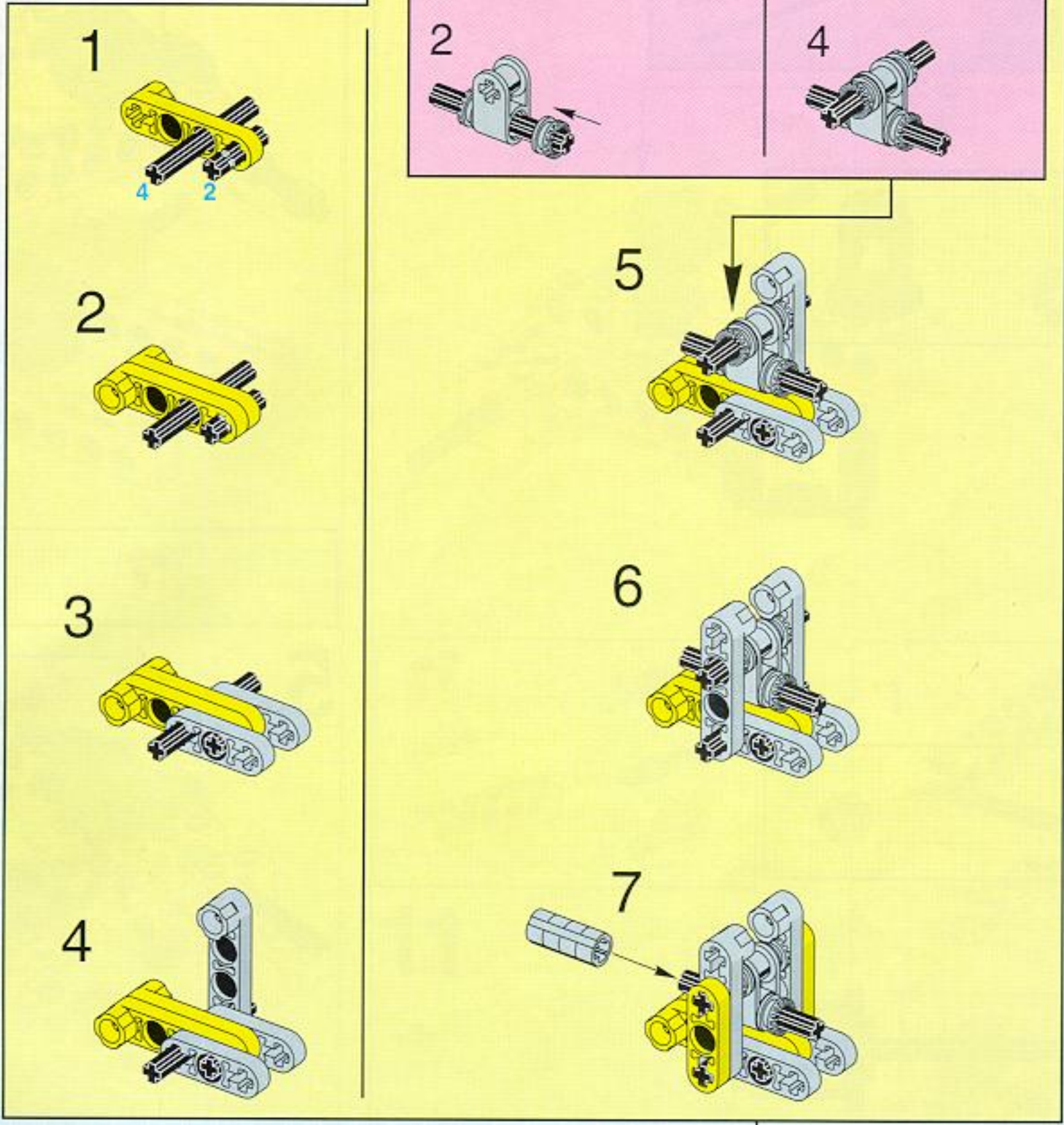
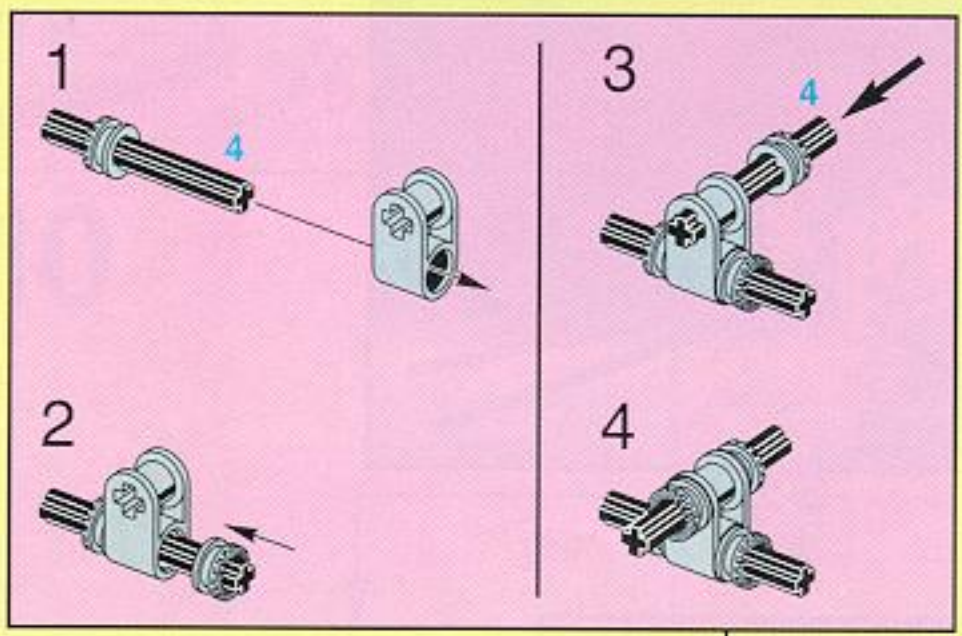


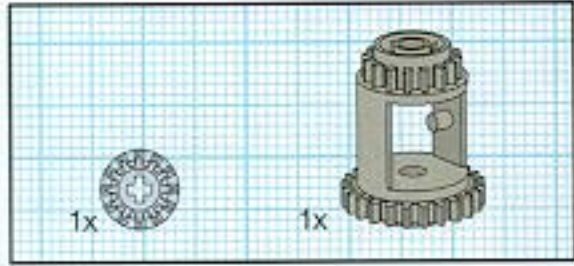
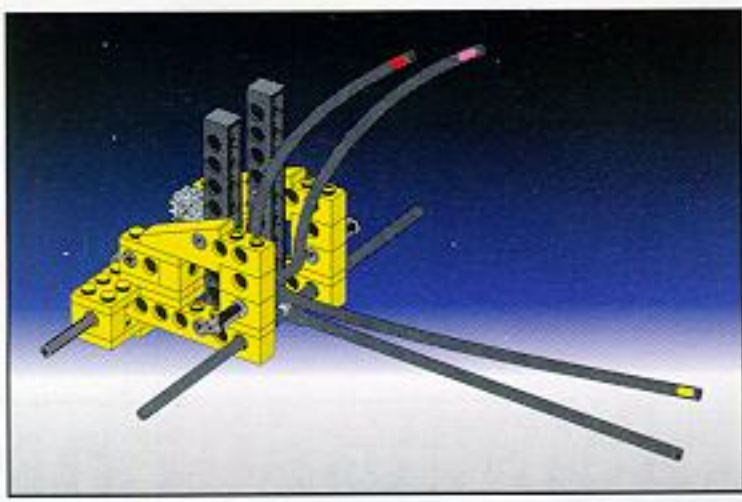
11



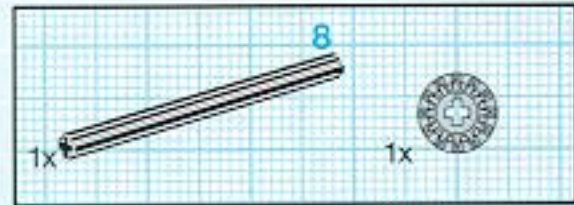


12

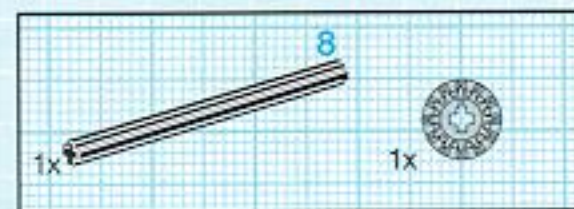
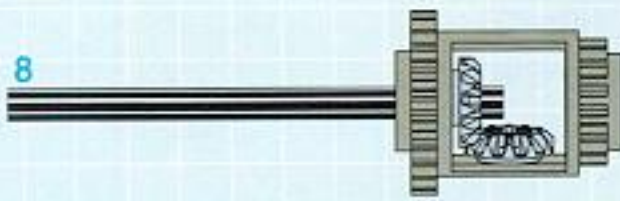




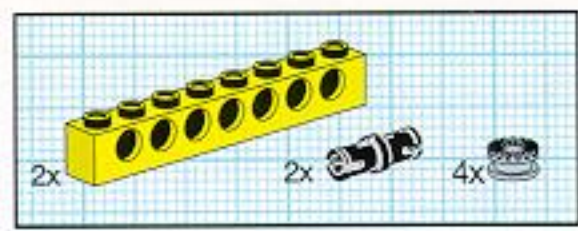
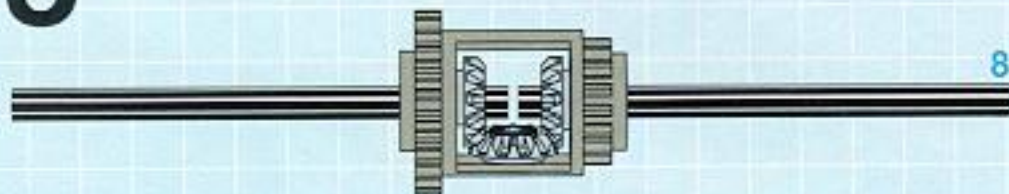
1



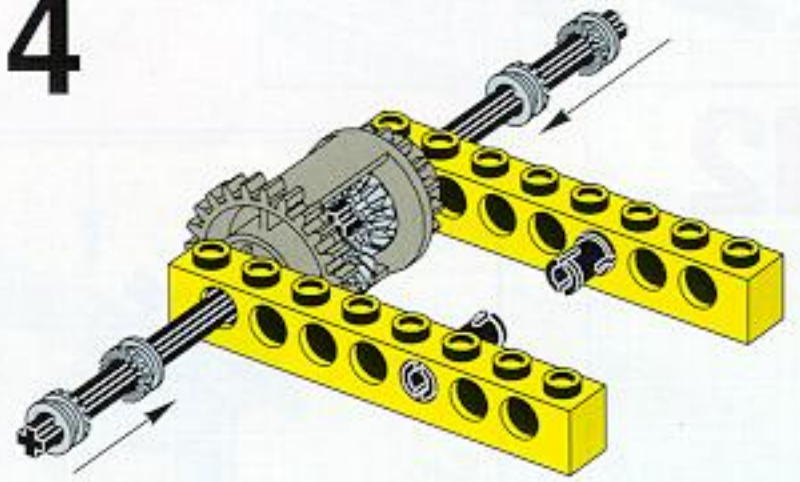
2



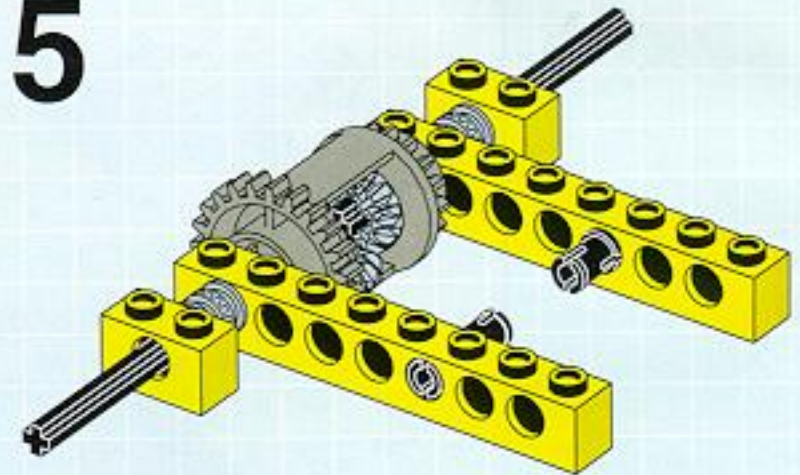
3



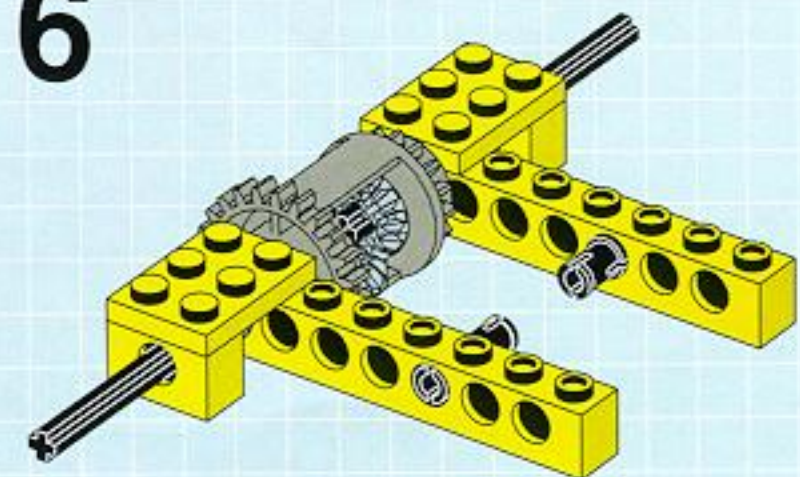
4

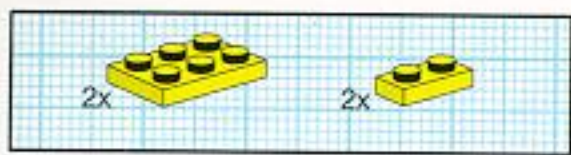


5

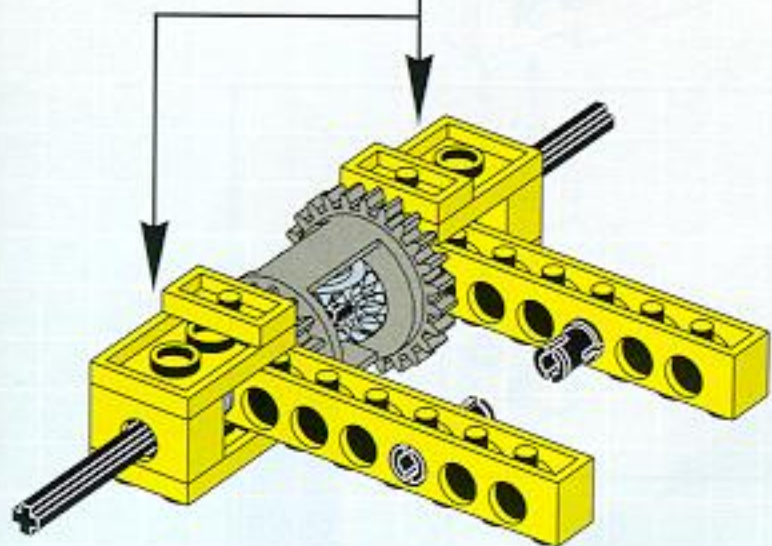
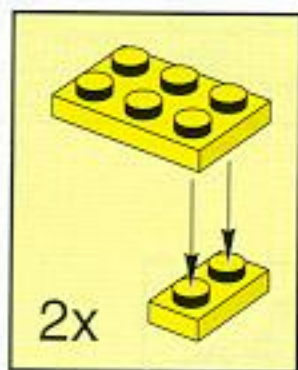


6

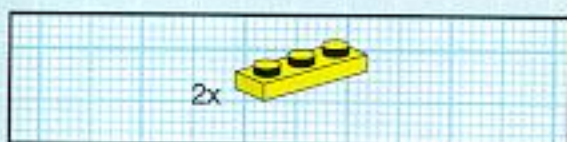
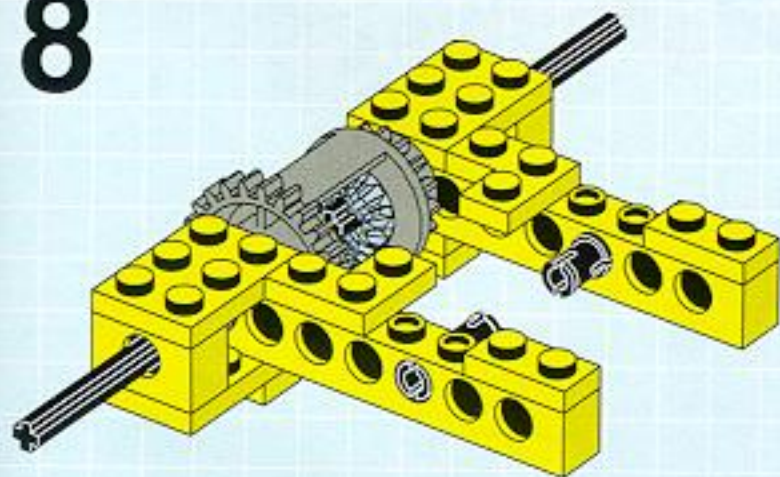




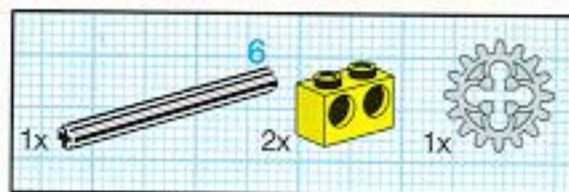
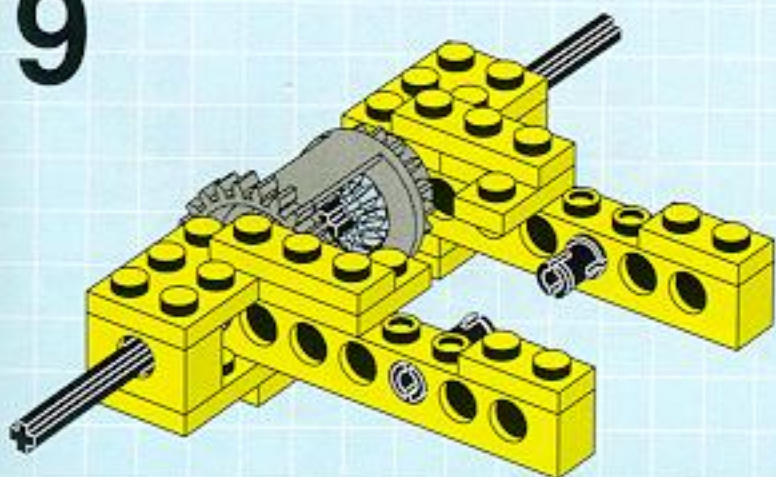
7



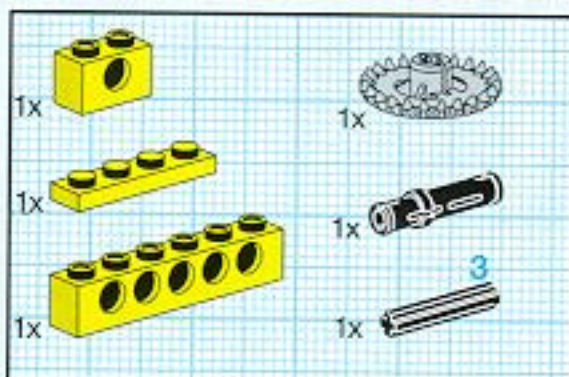
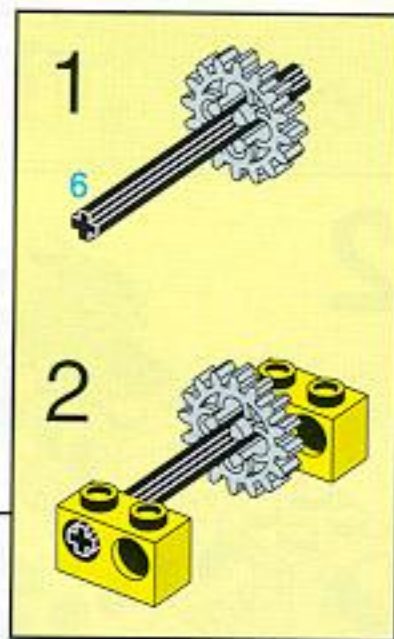
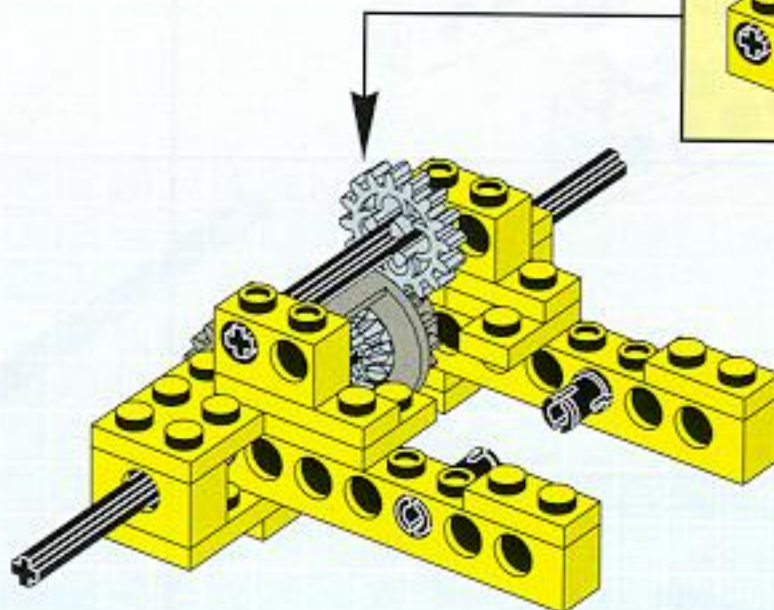
8



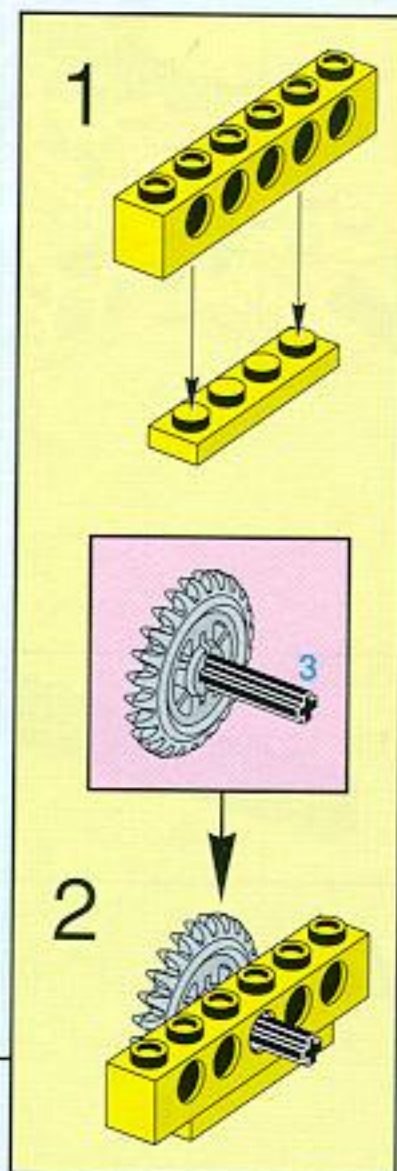
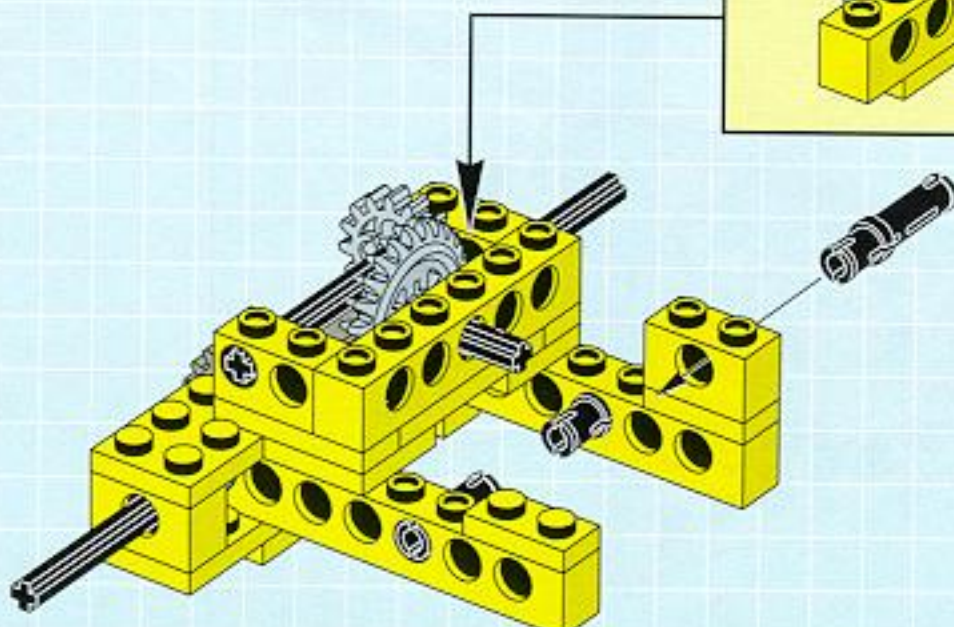
9

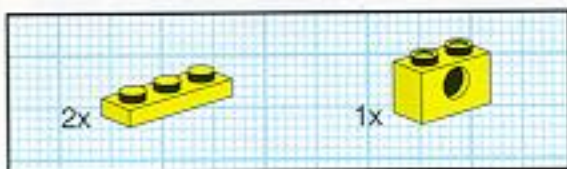


10

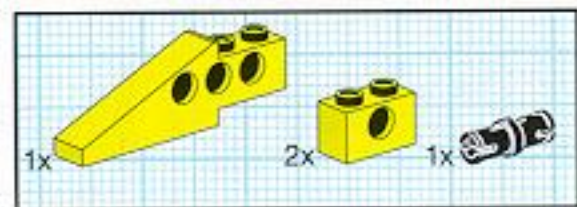
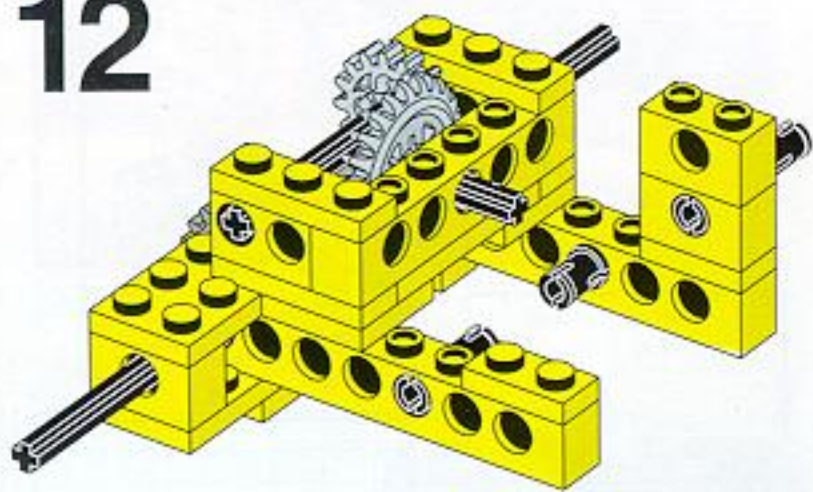


11

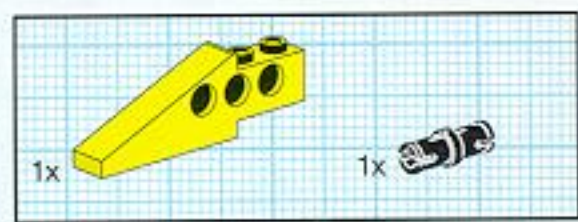
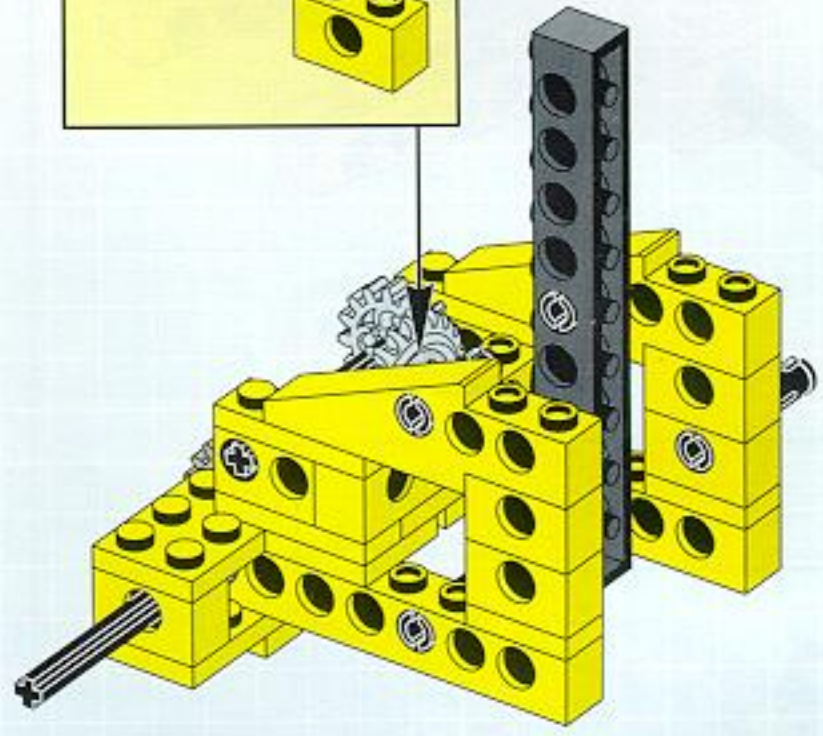
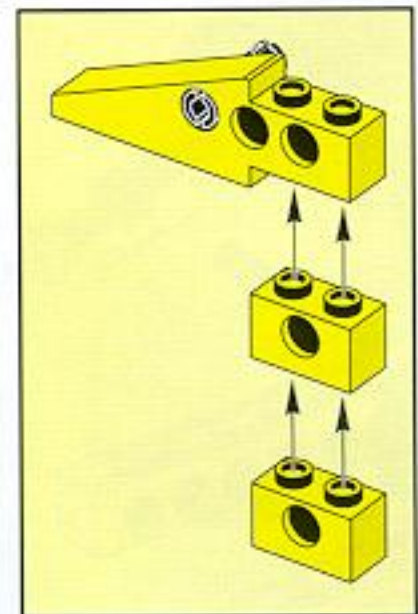




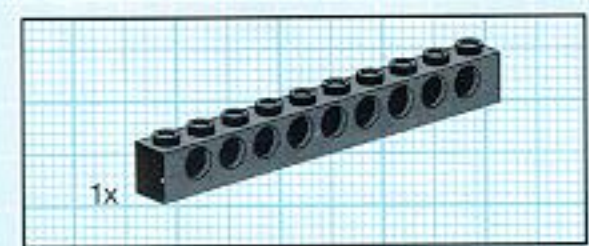
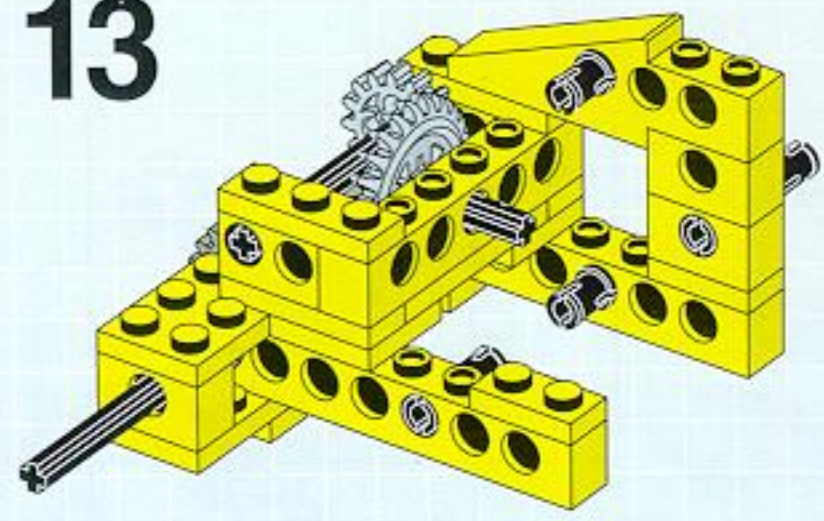
12



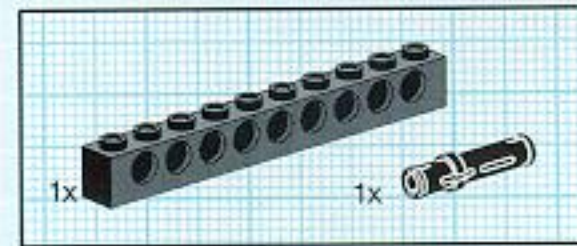
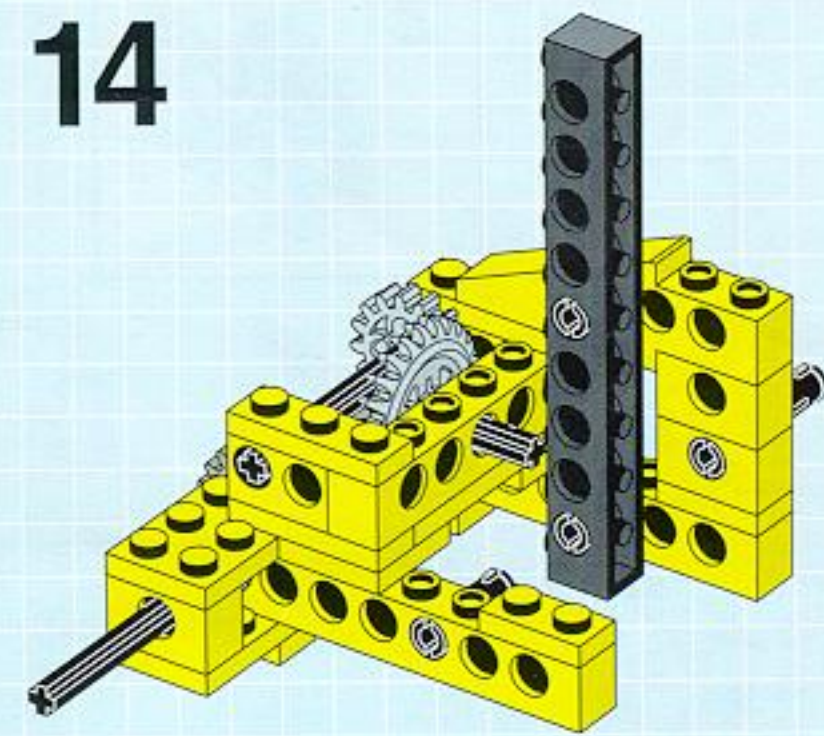
15



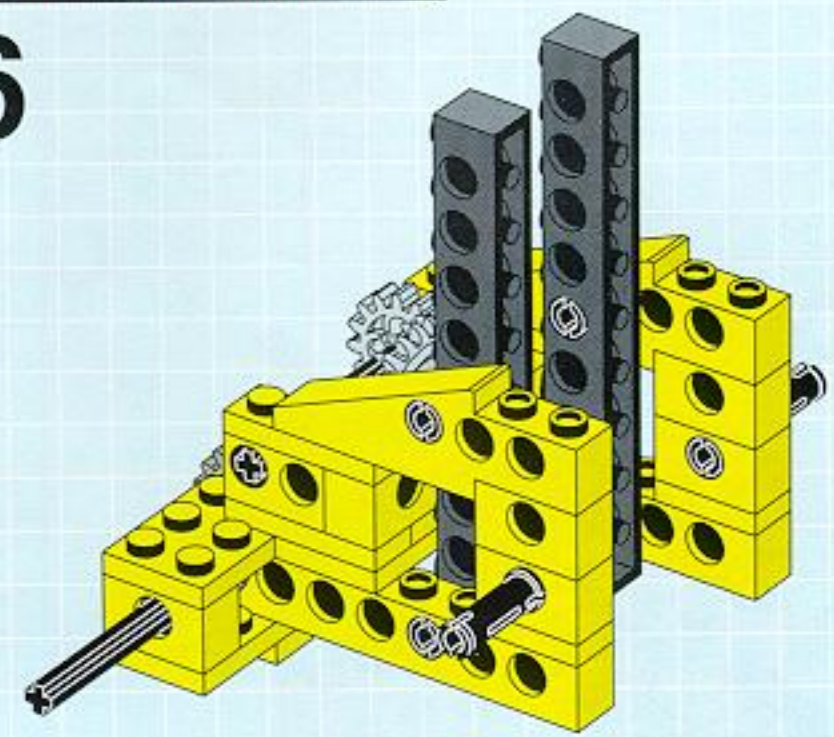
13

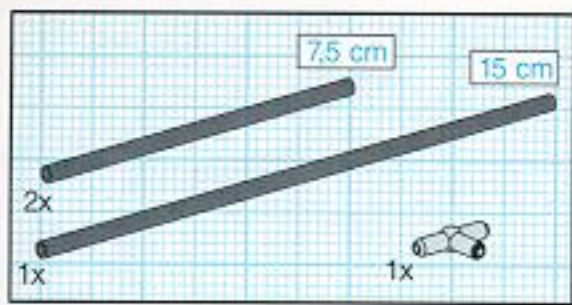


14



16

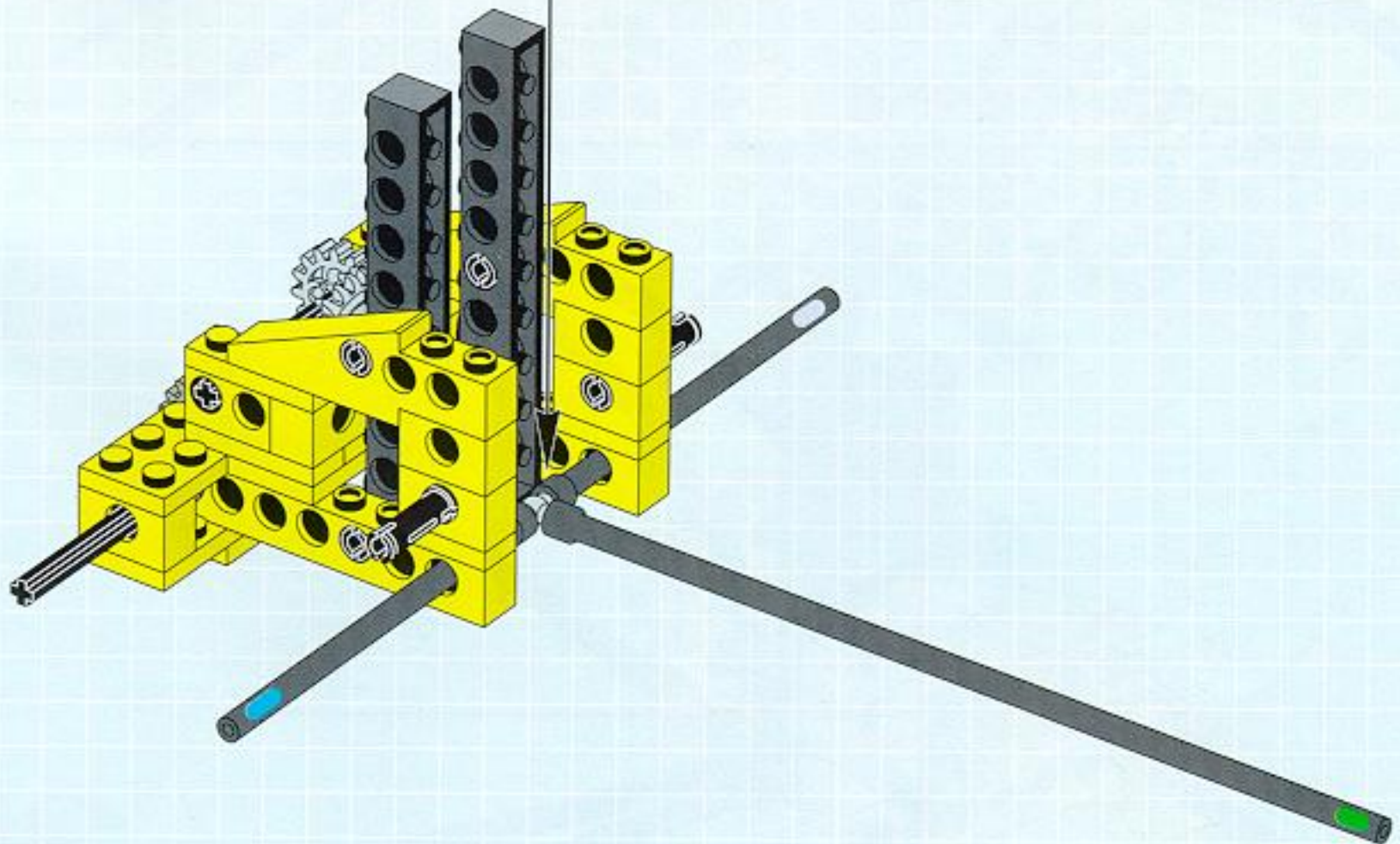
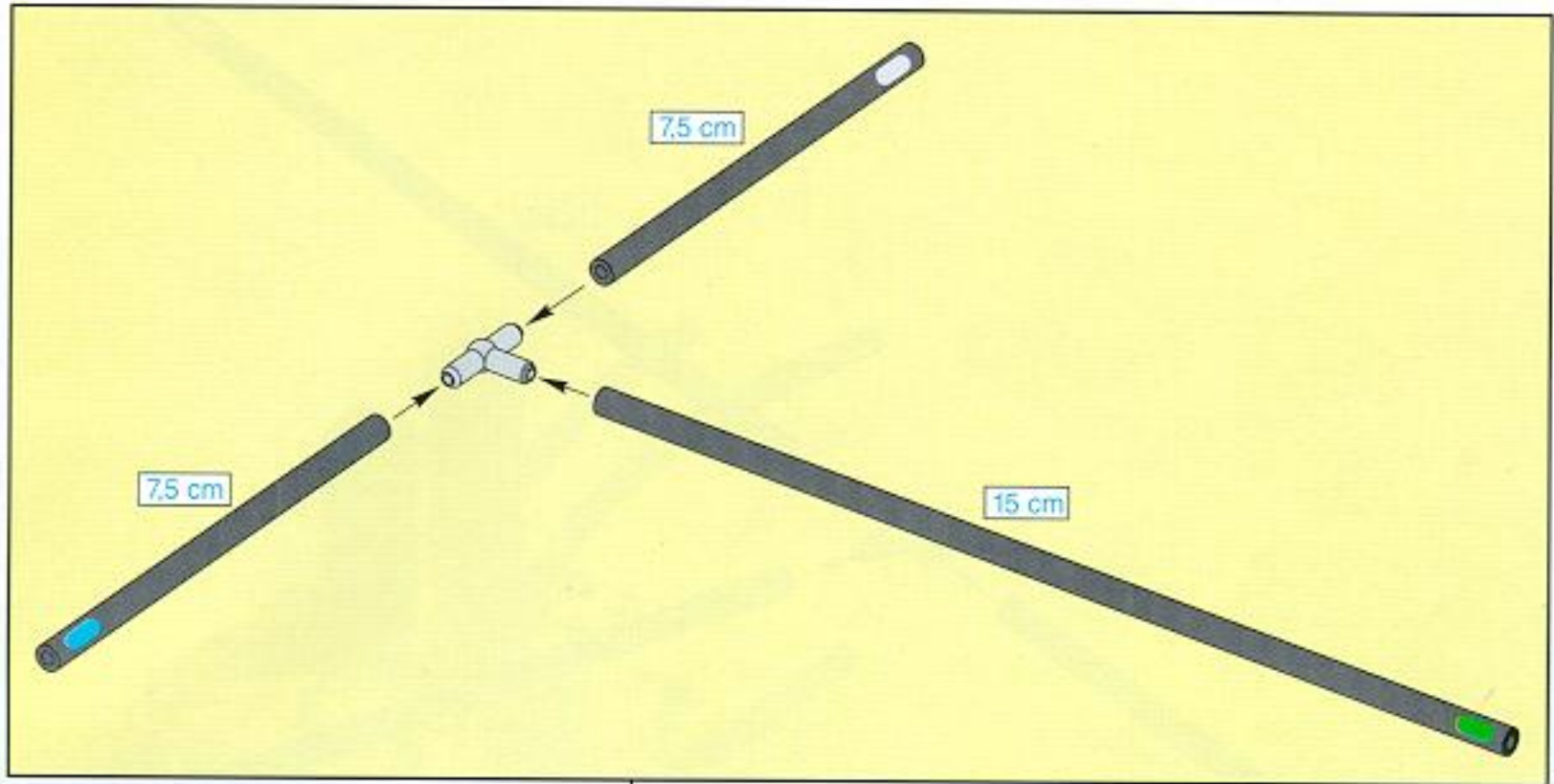


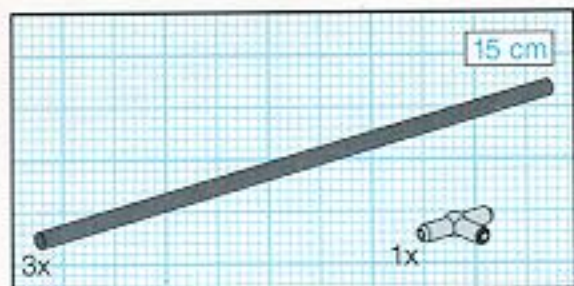


17

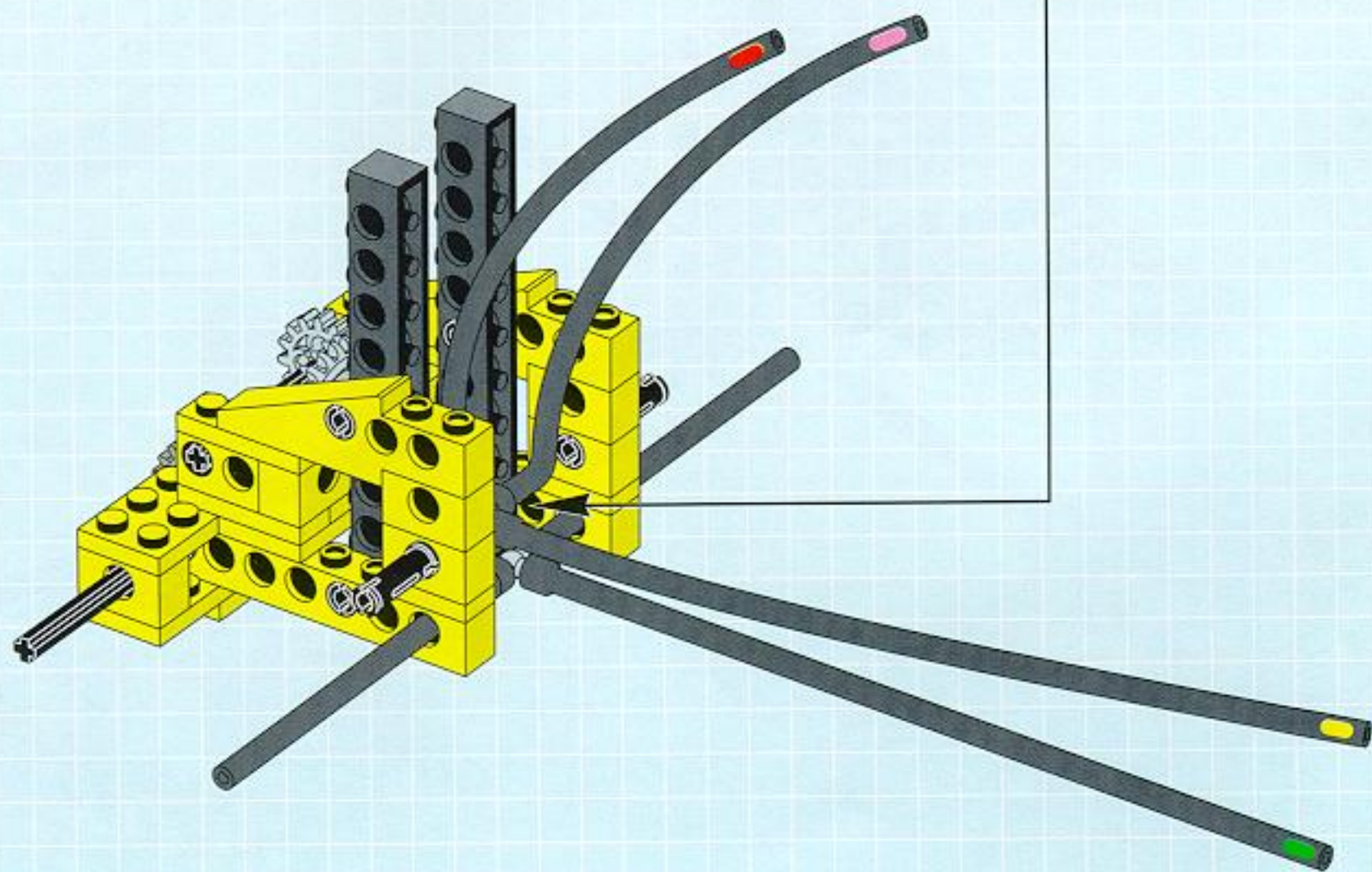
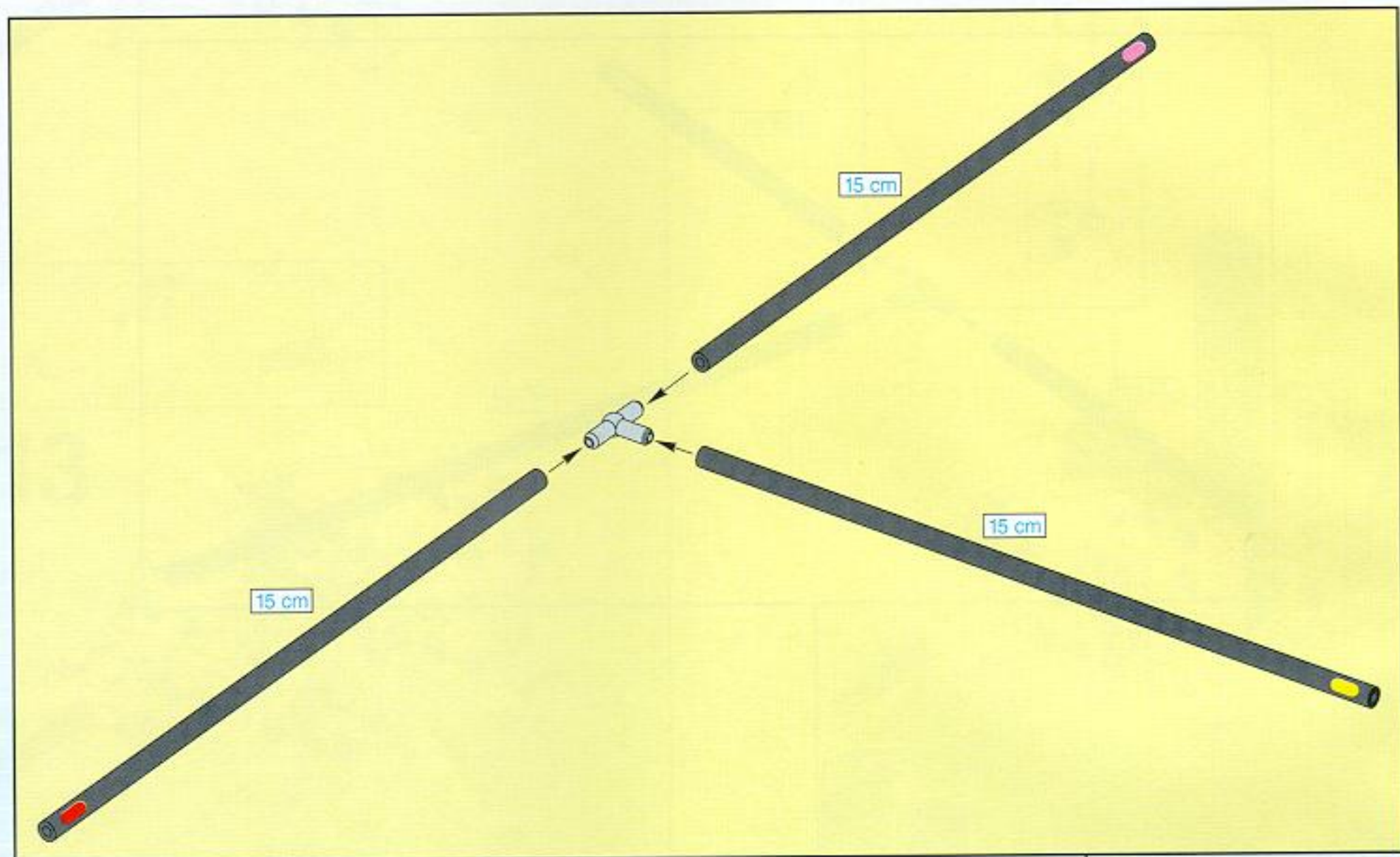


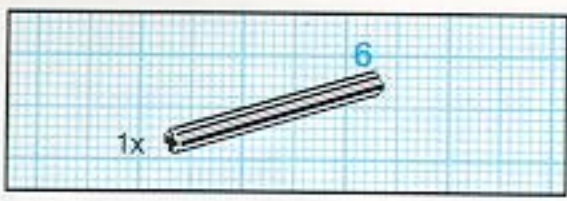
81



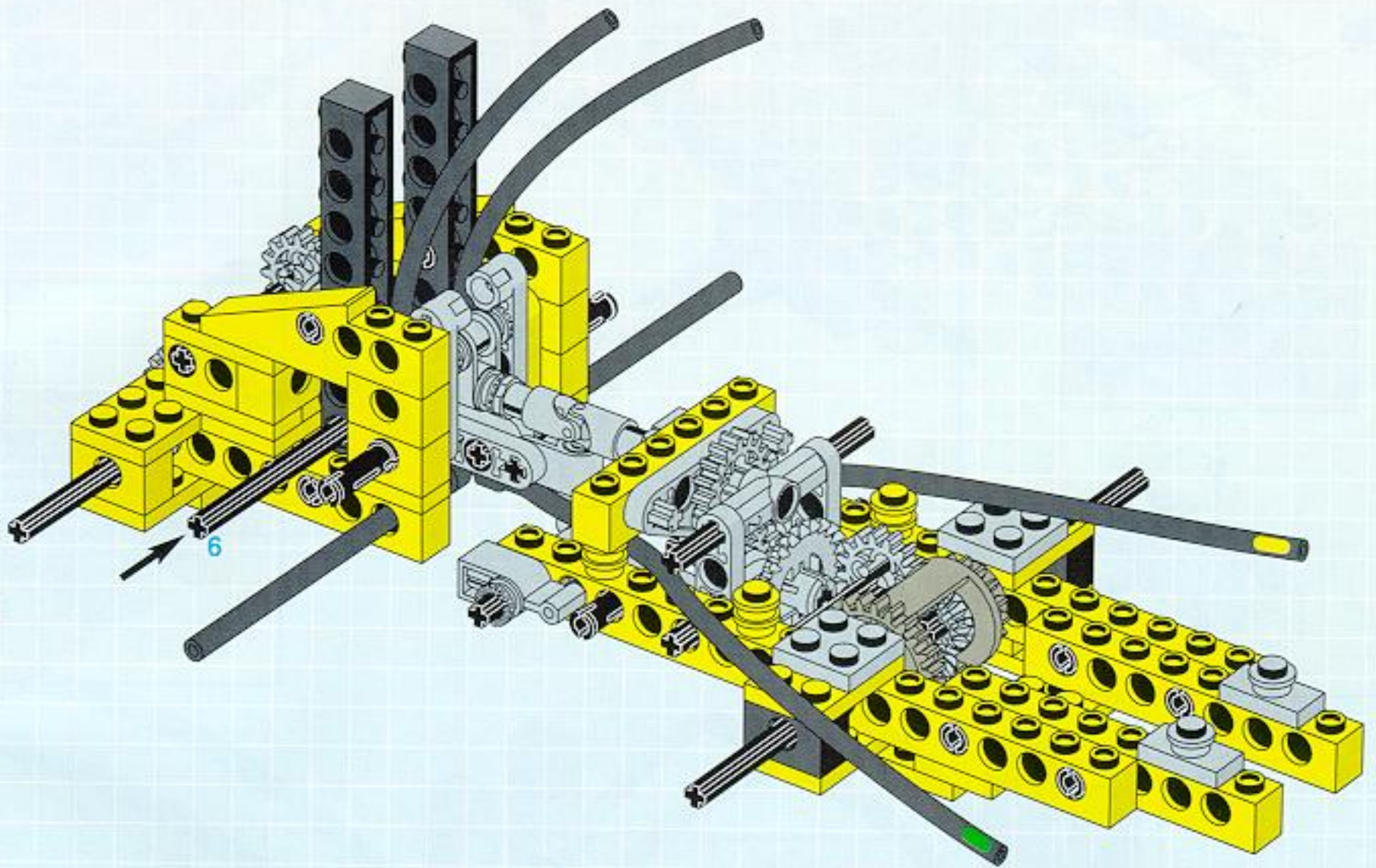


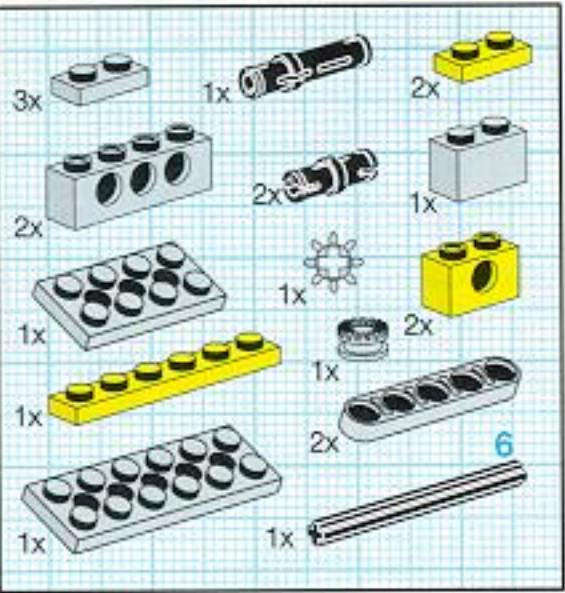
18



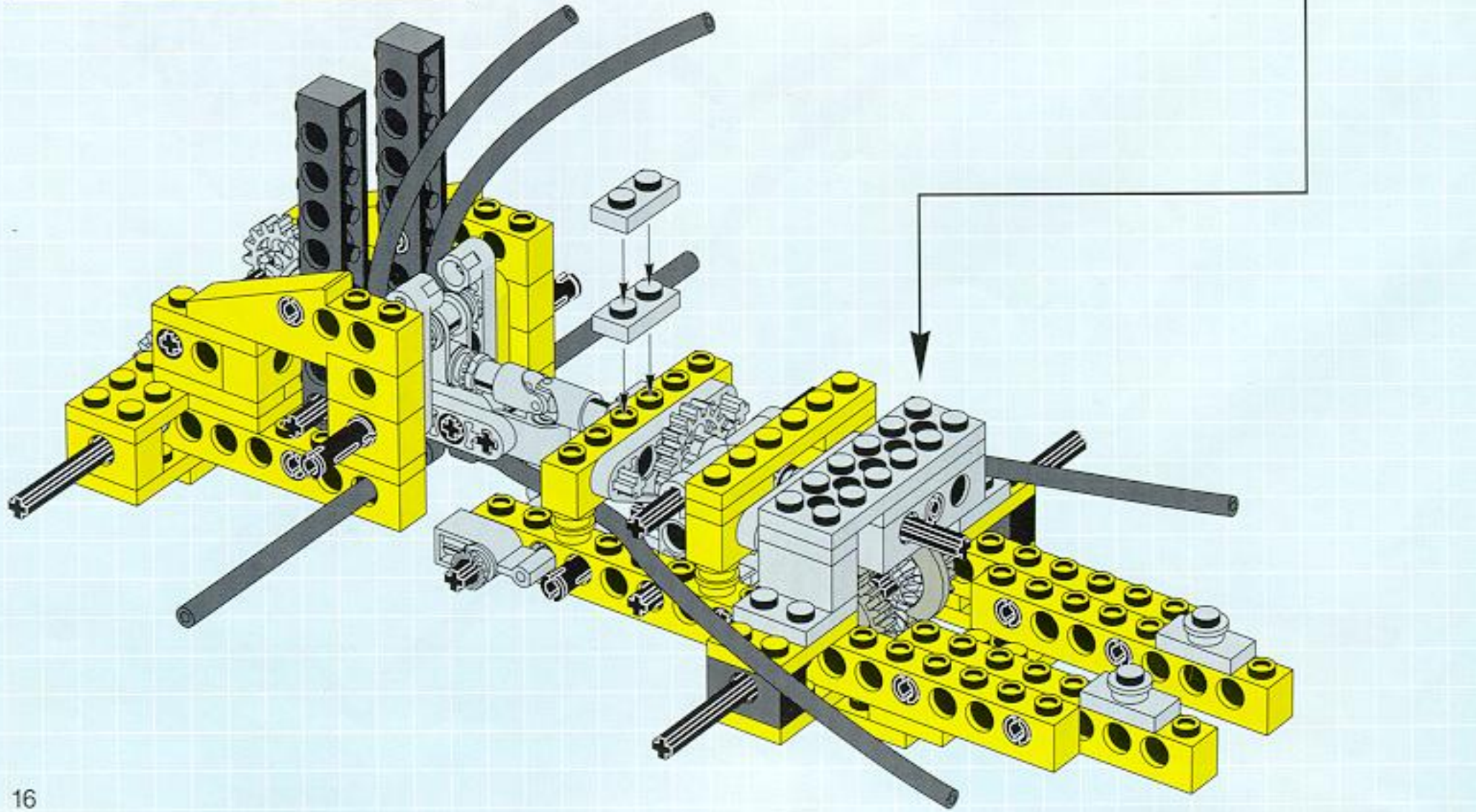
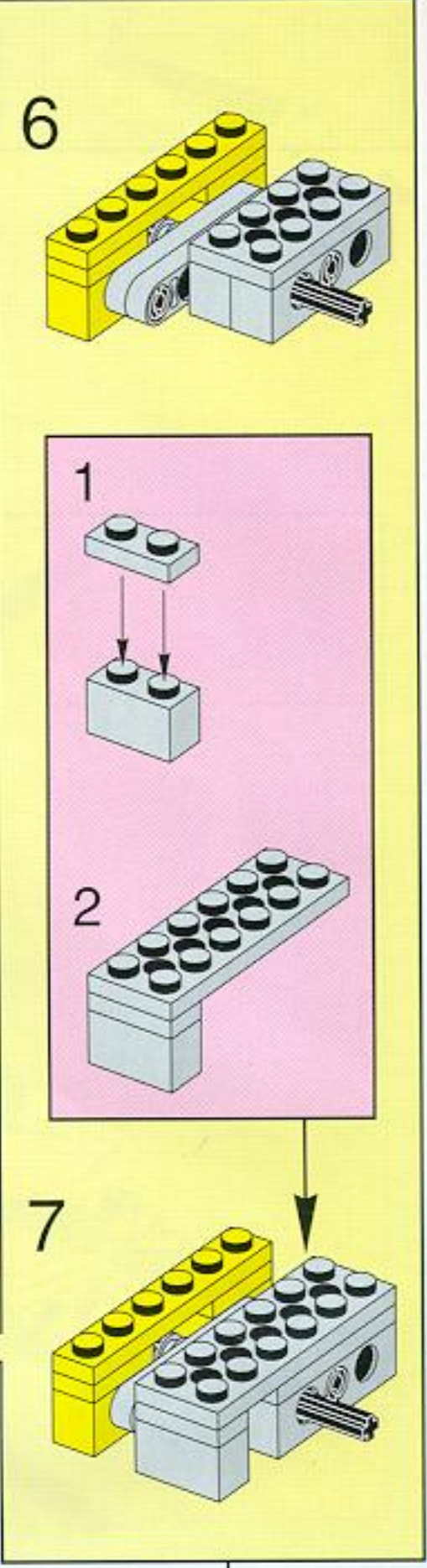
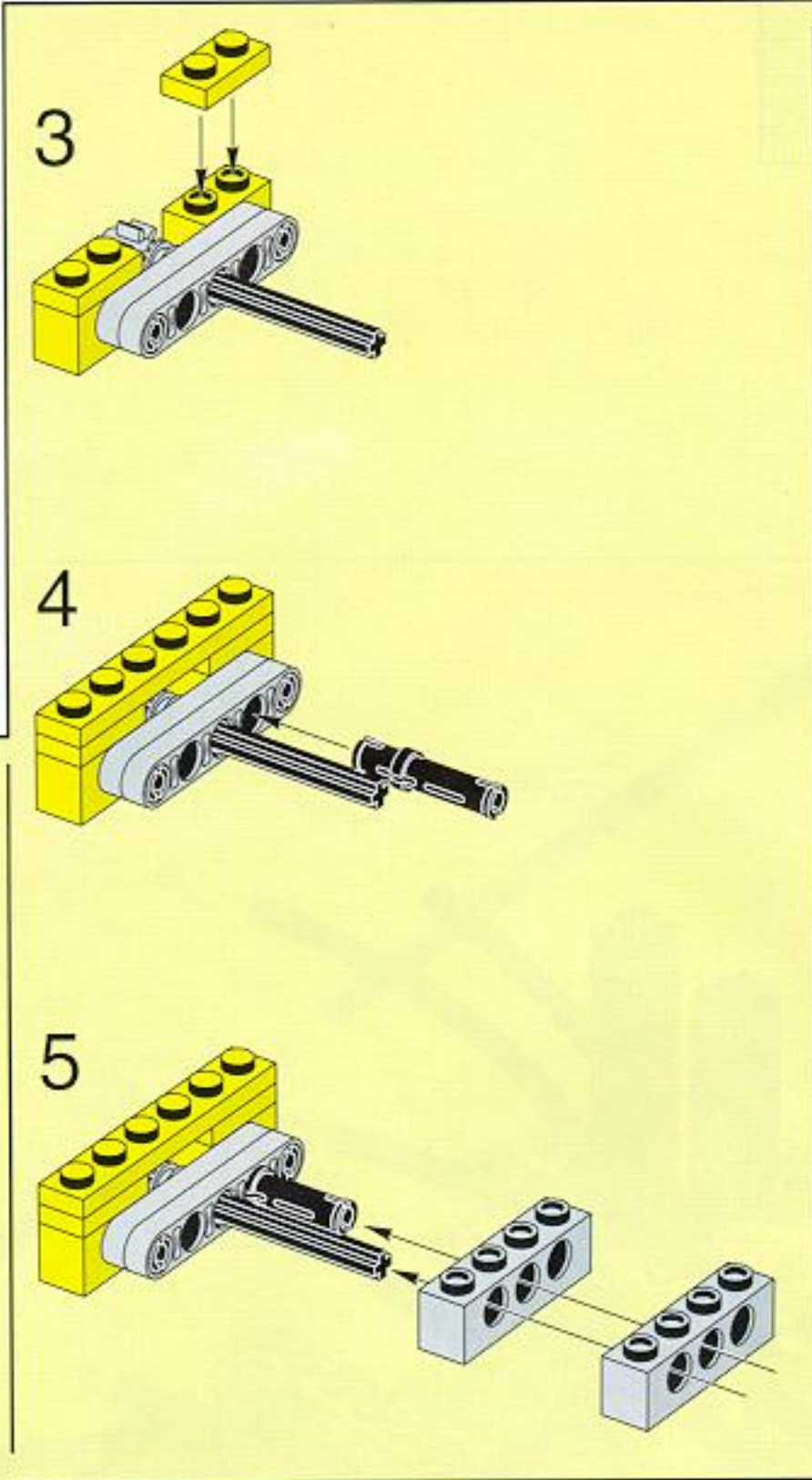
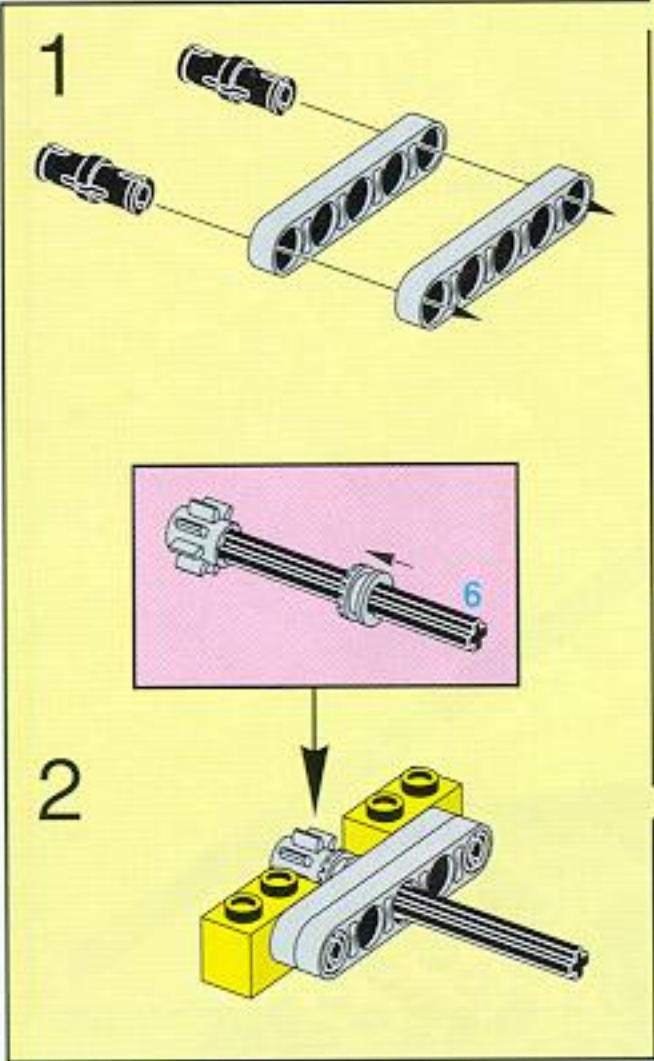


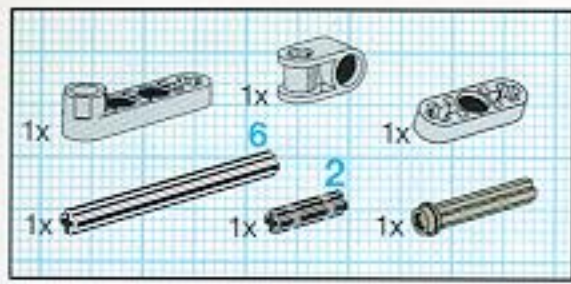
13



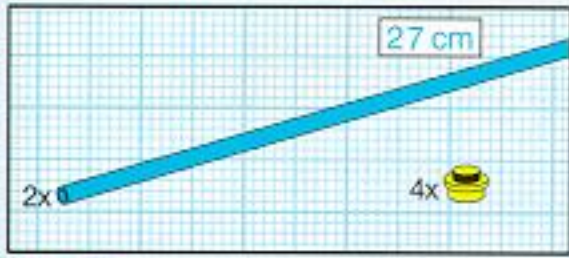
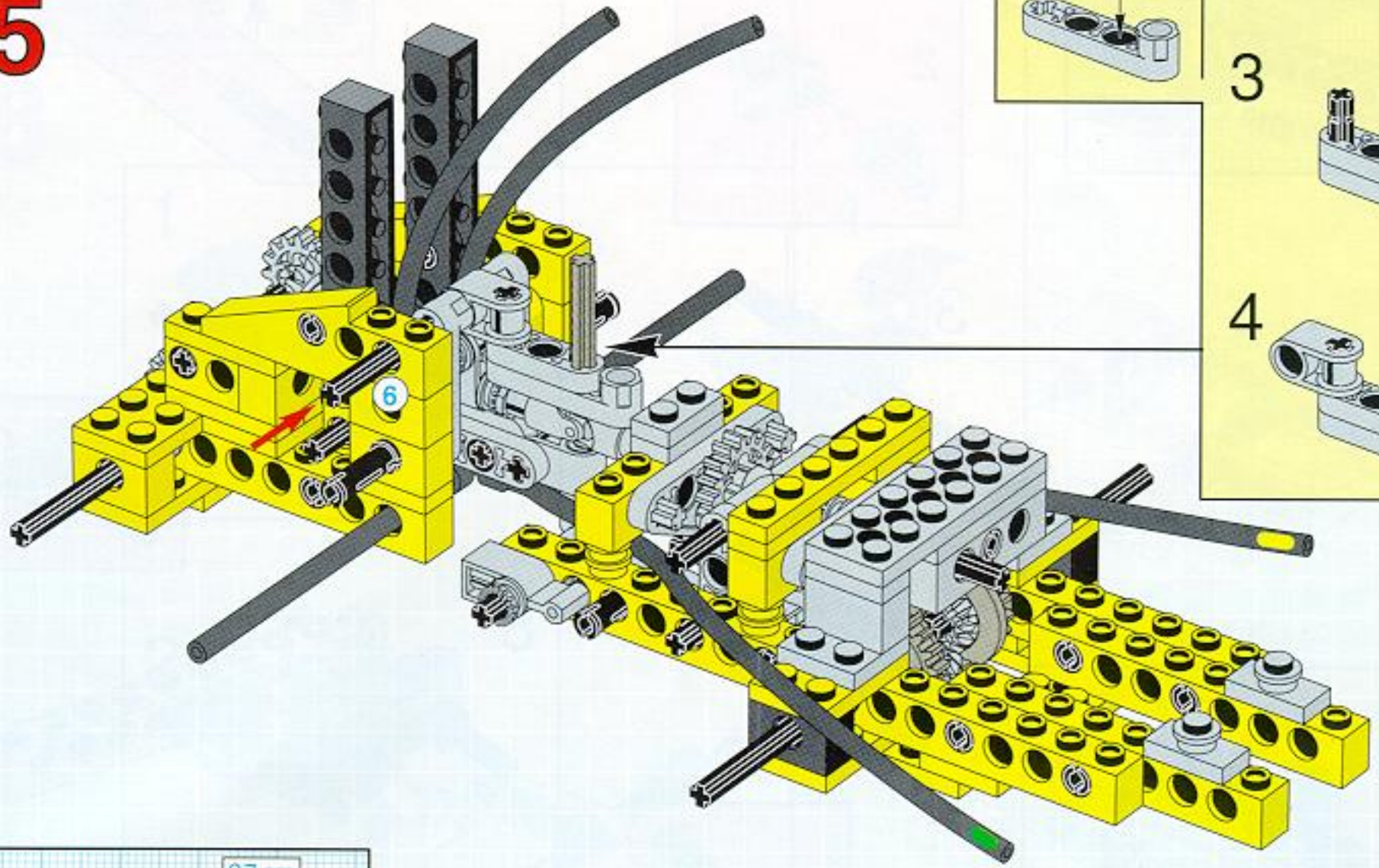
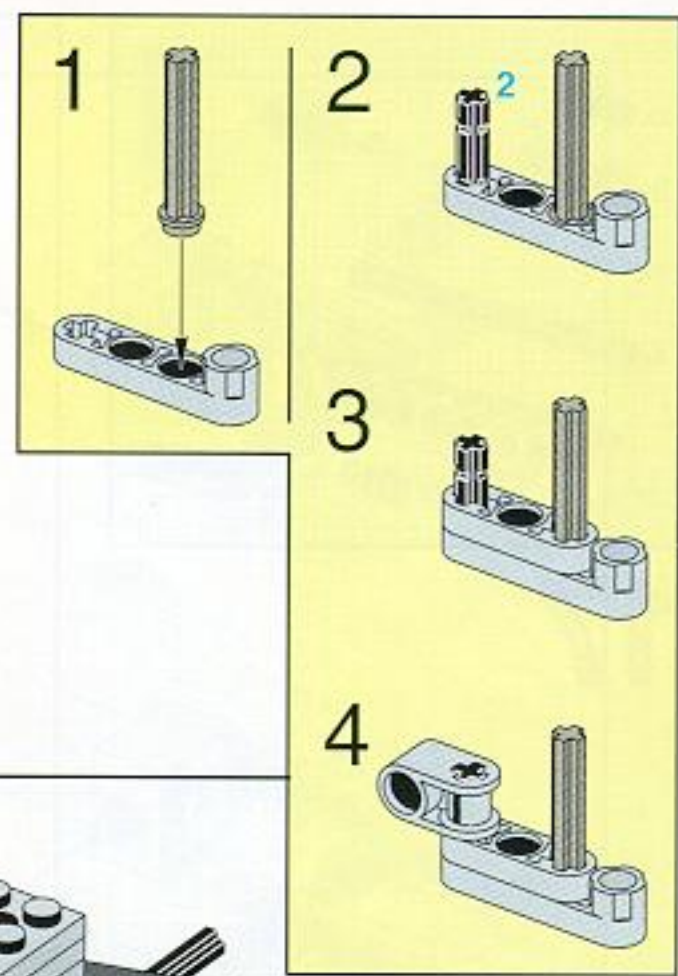


14

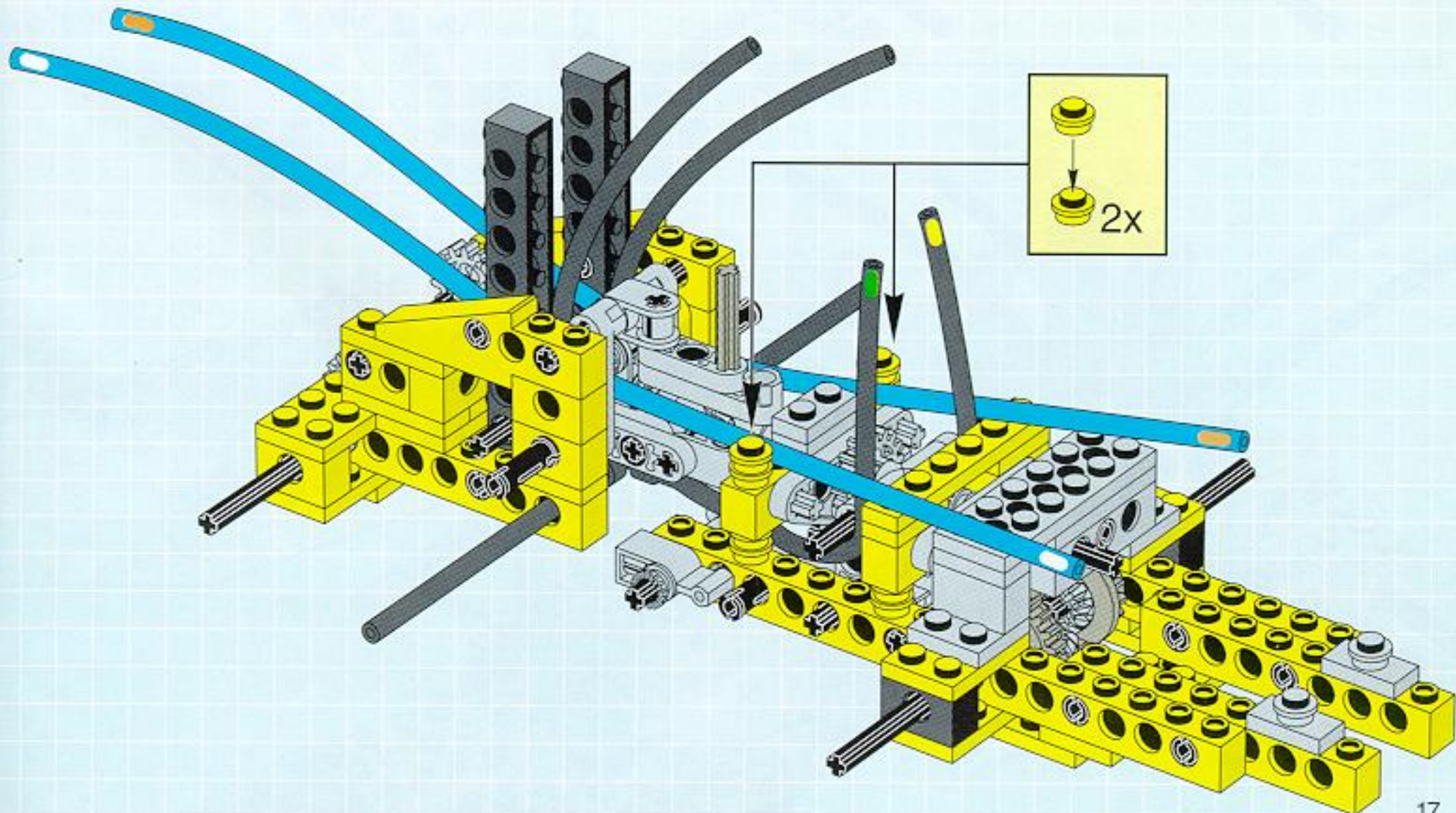


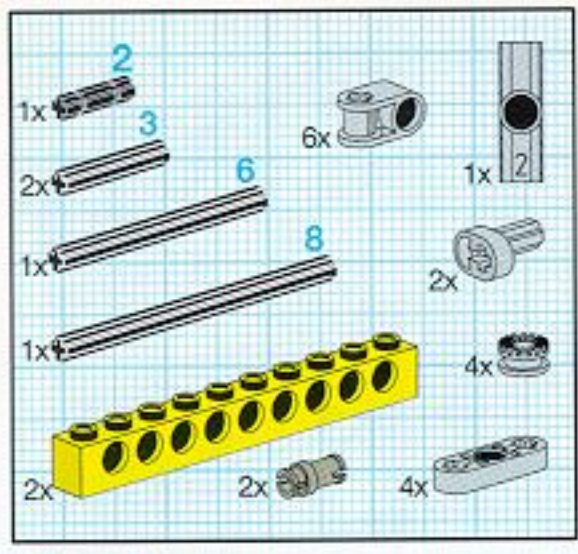


15

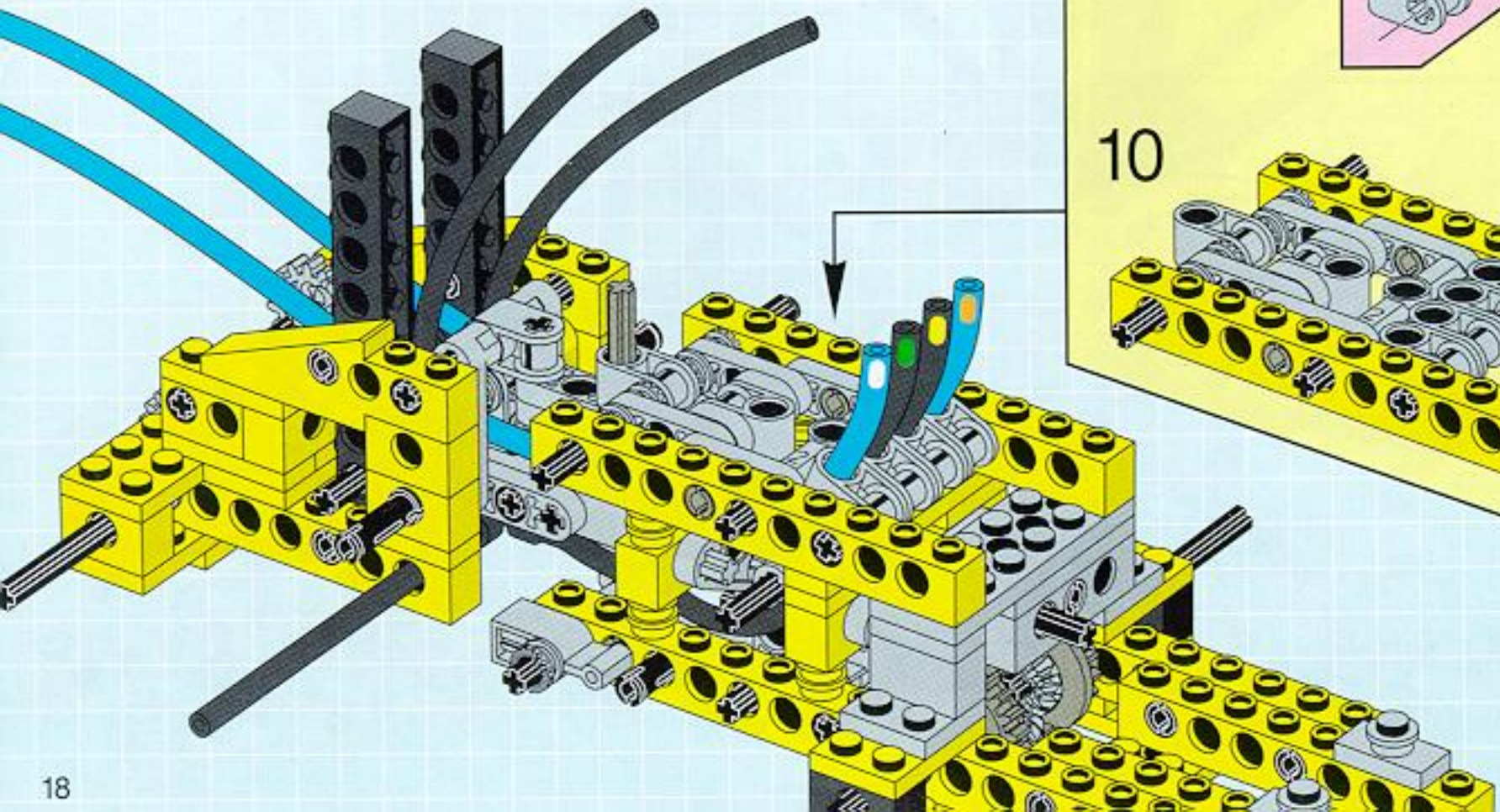
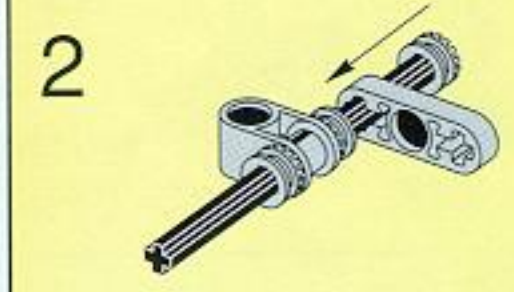
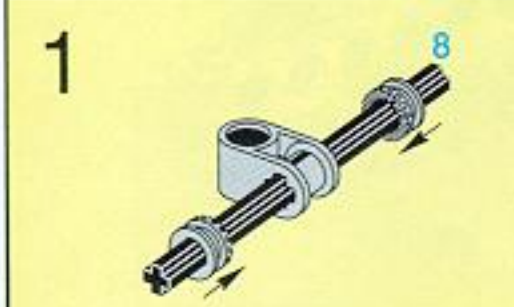
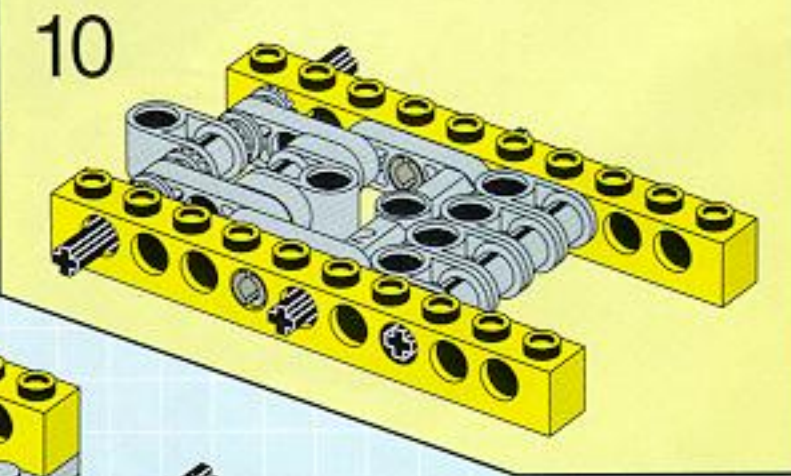
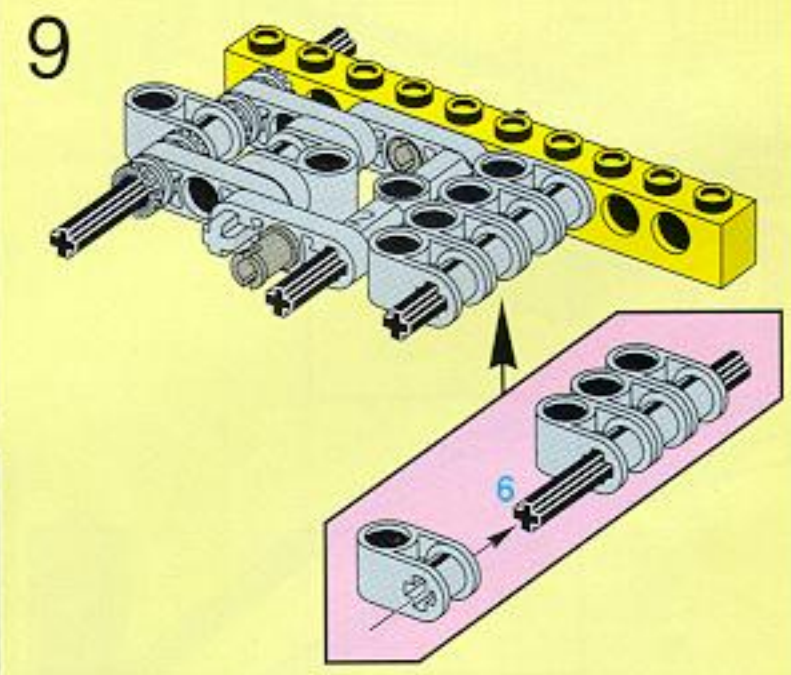
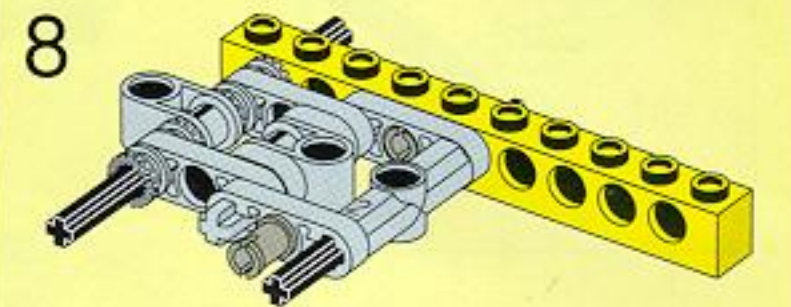
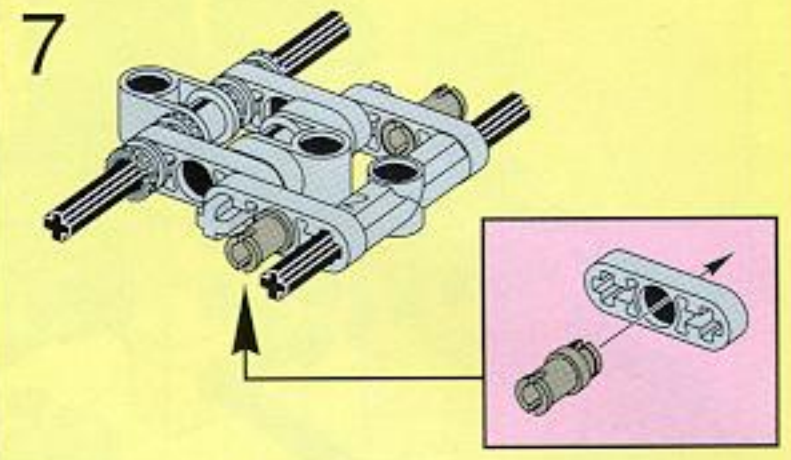
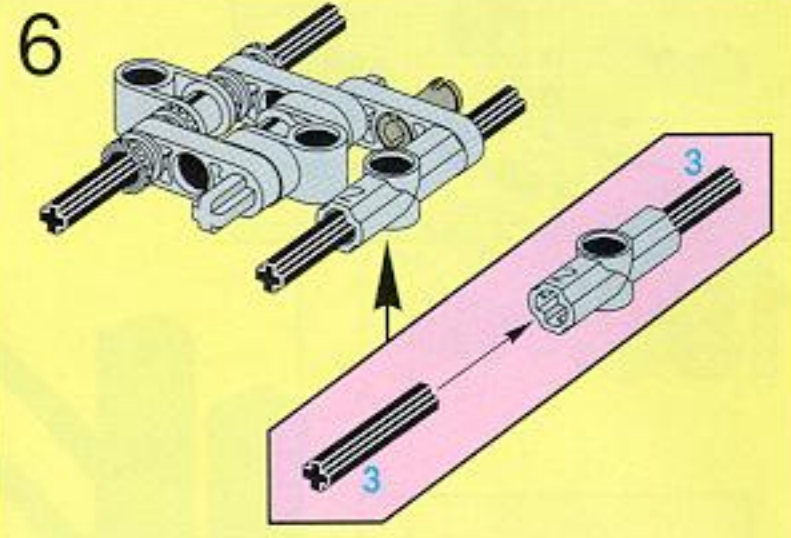
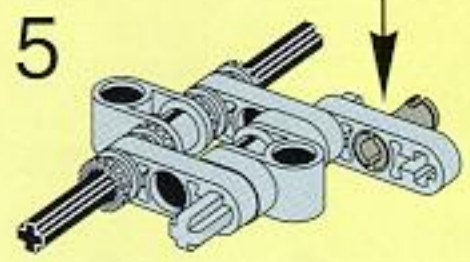
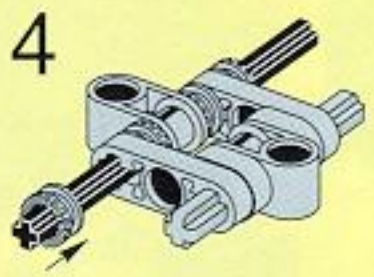
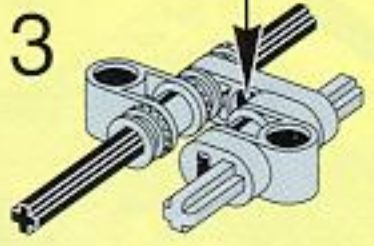
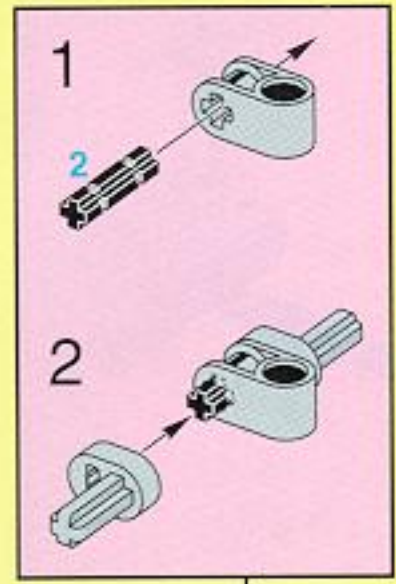


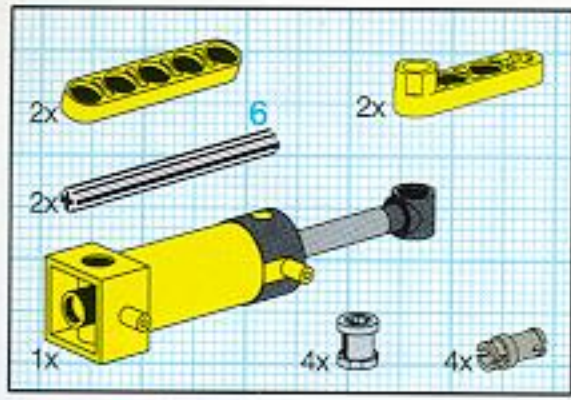
16



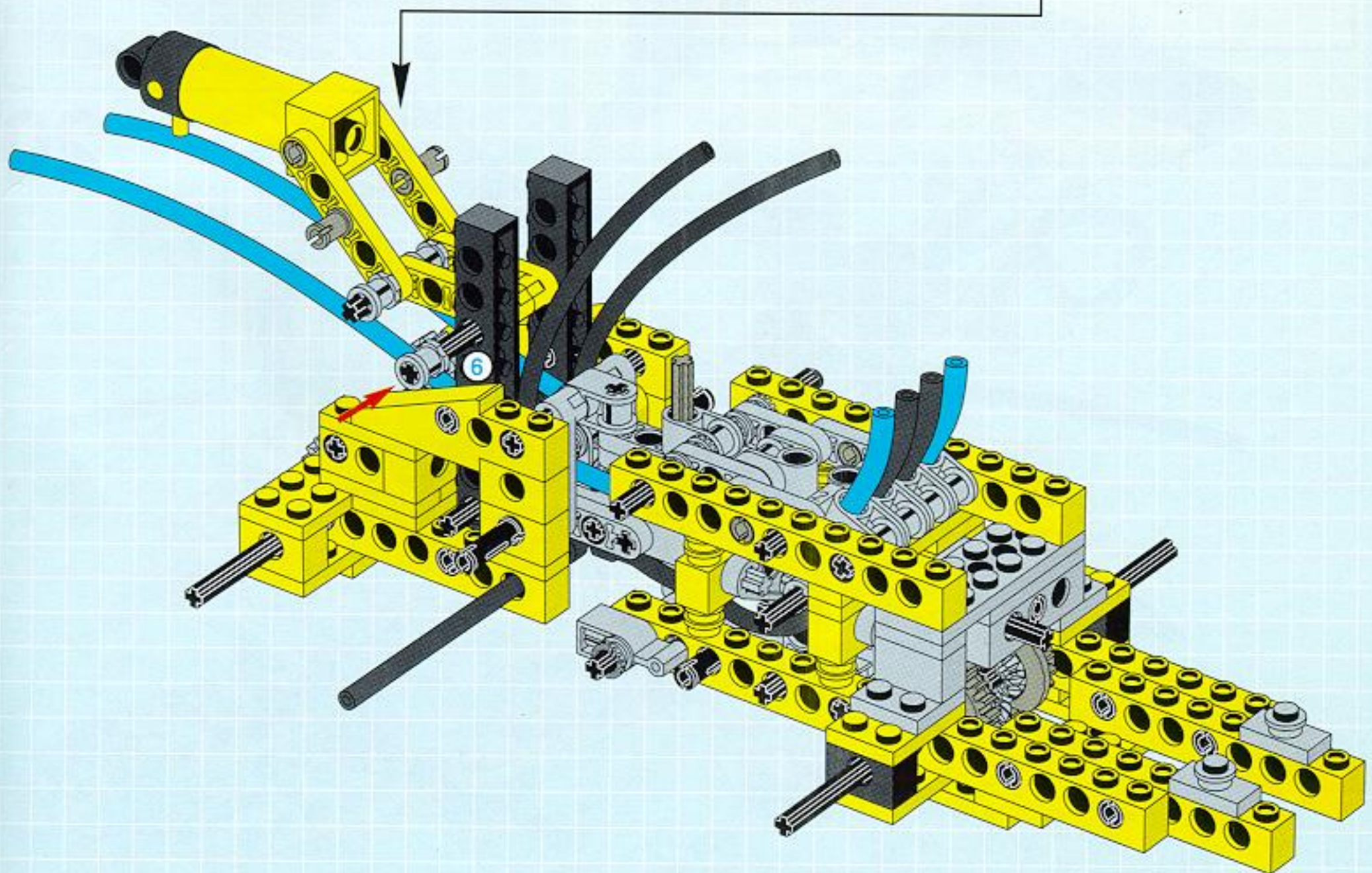
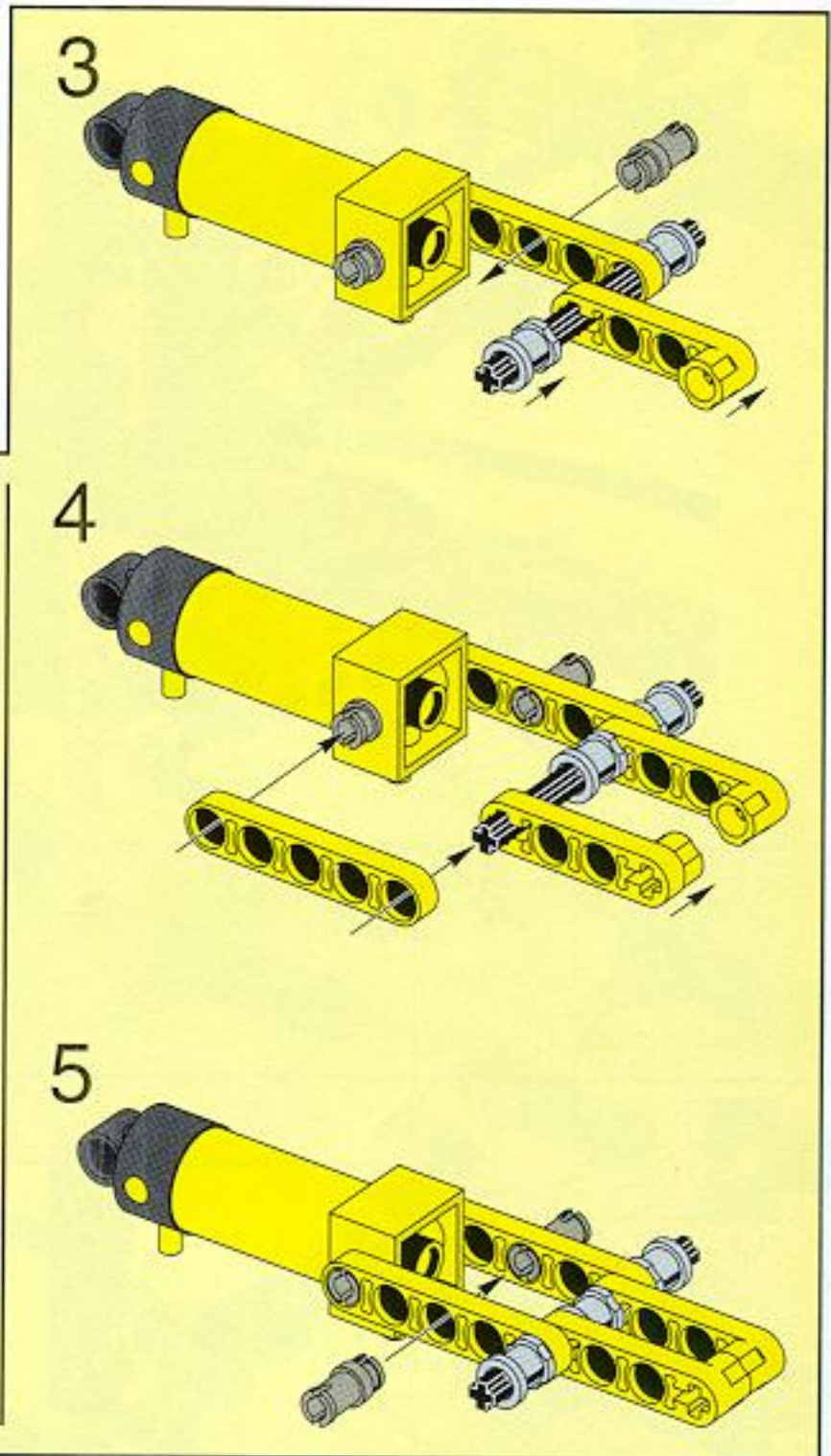
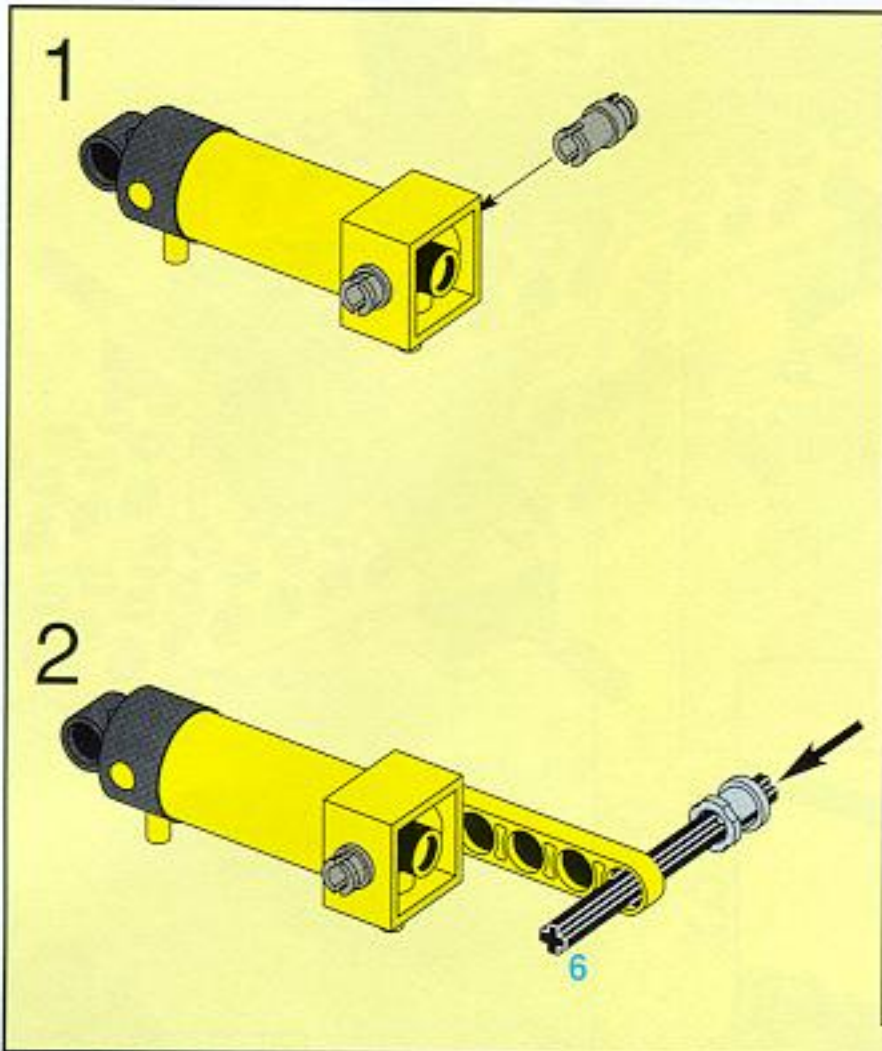


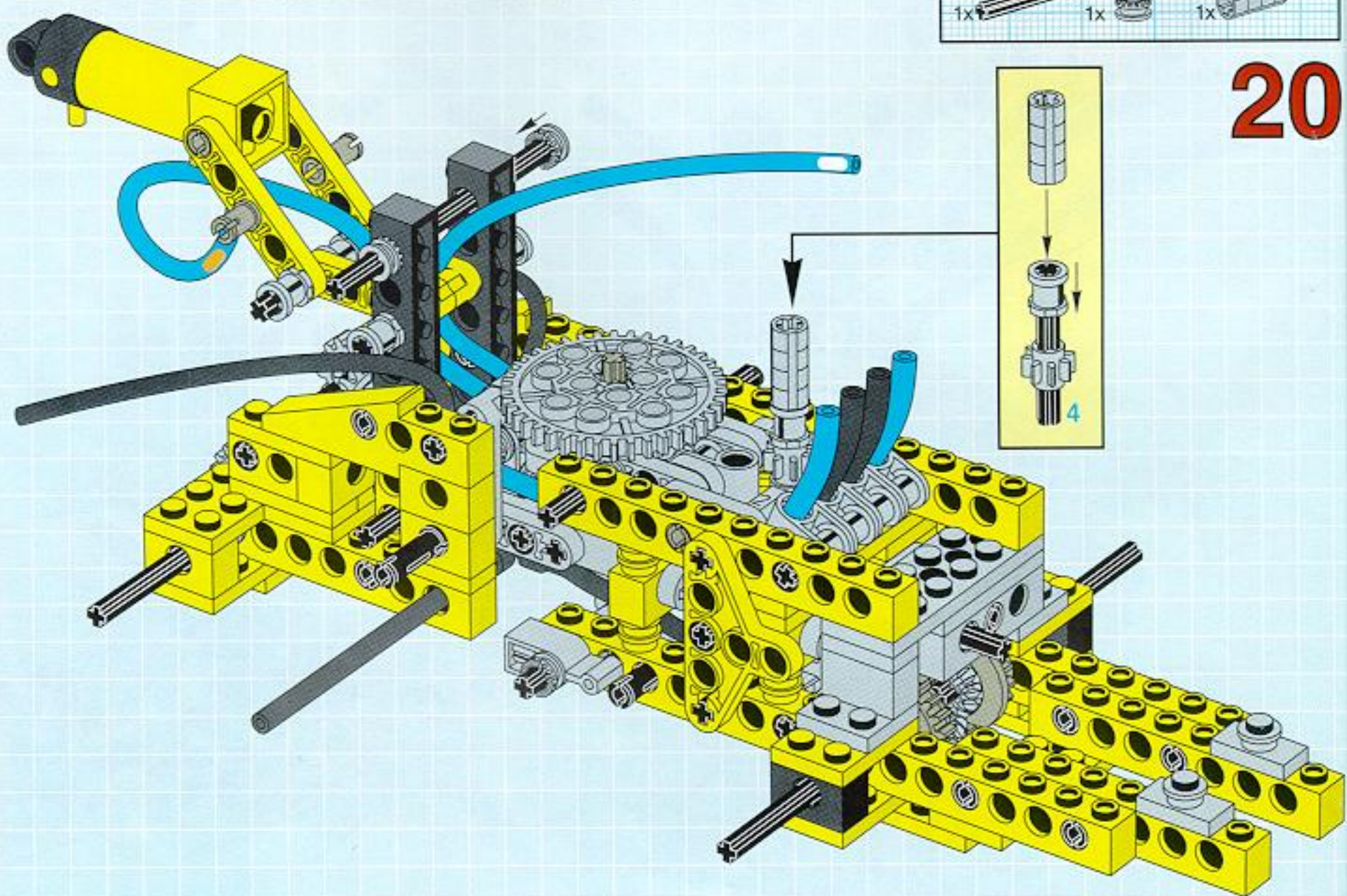
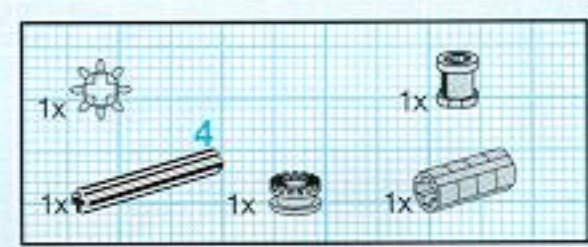
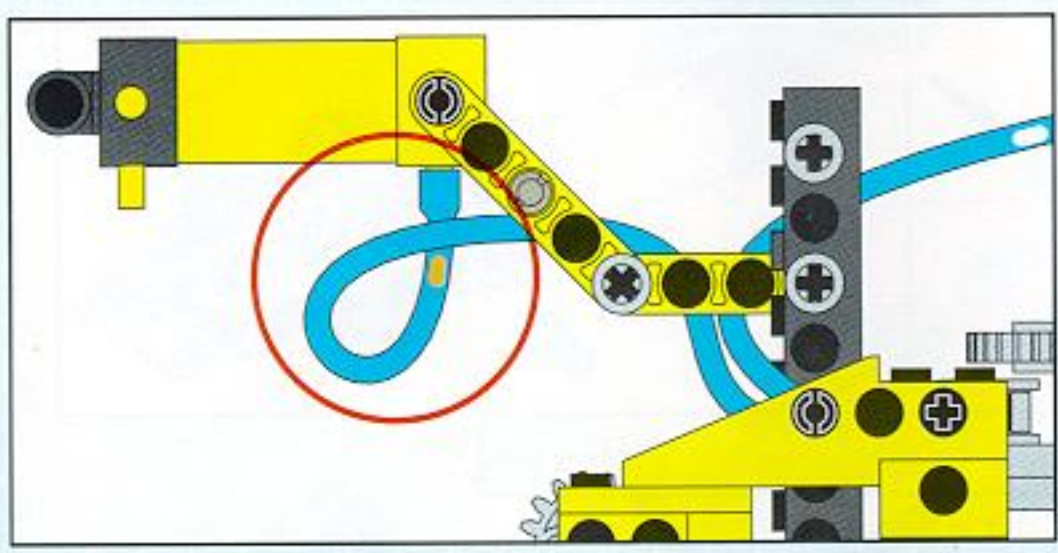
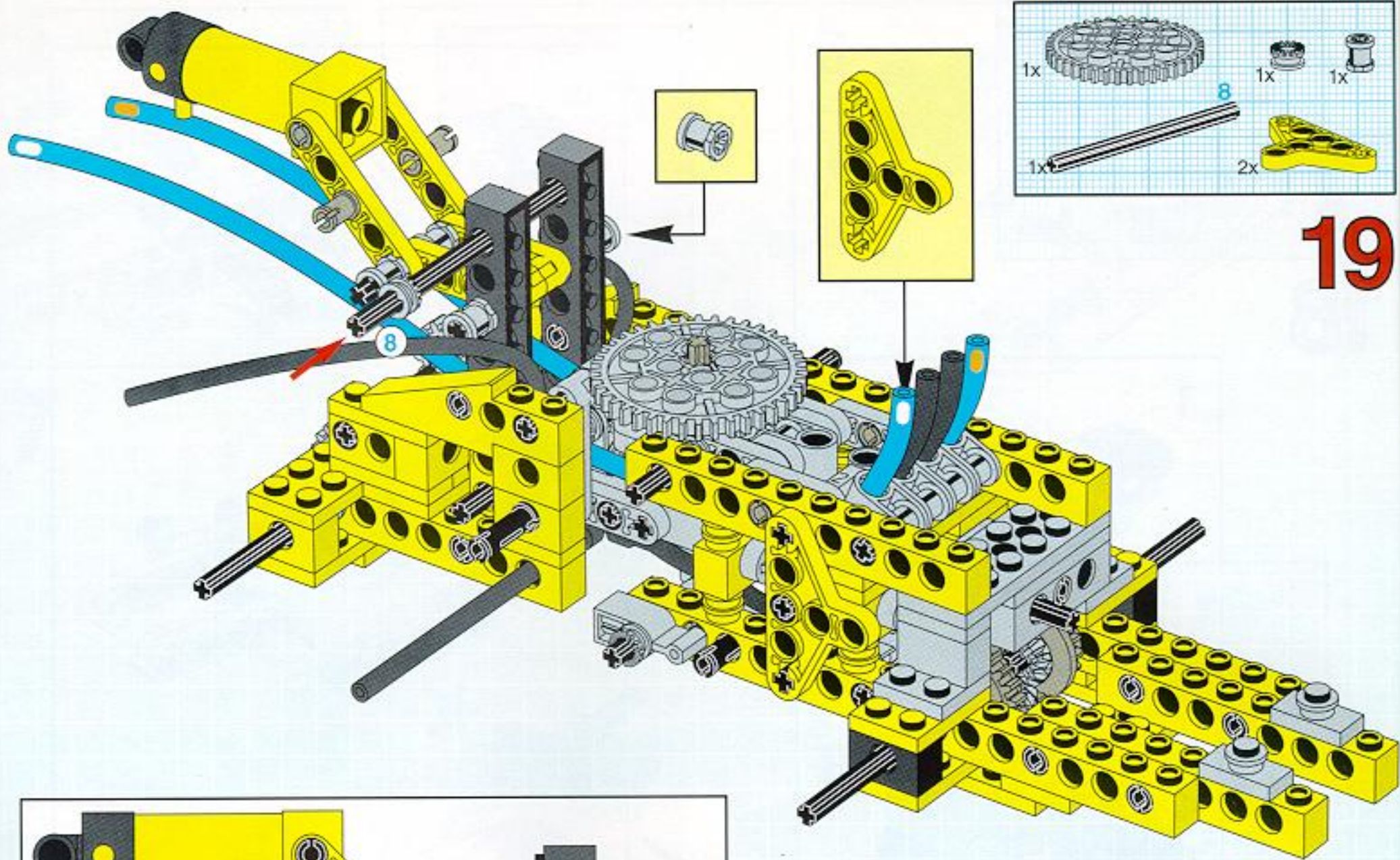
17

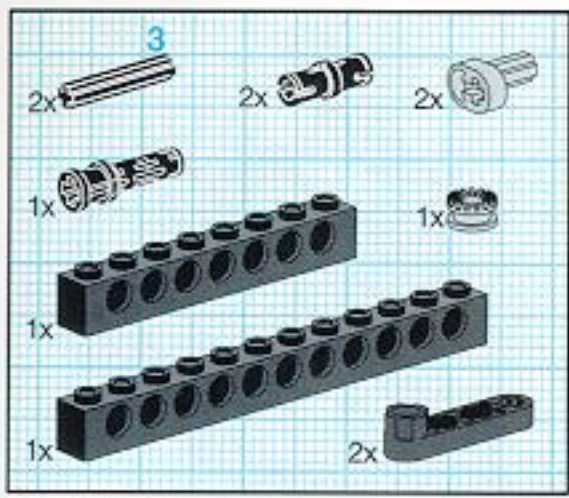




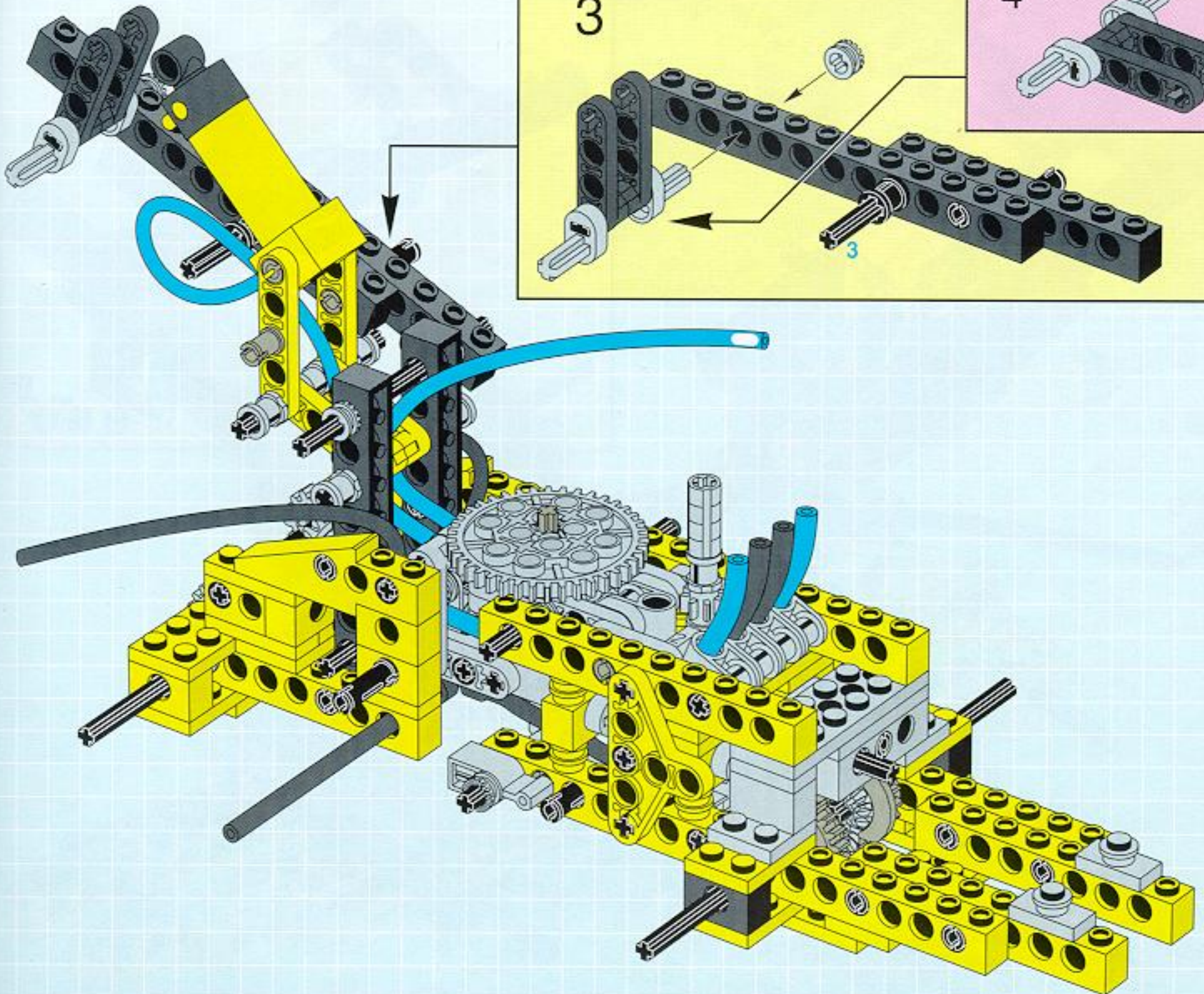
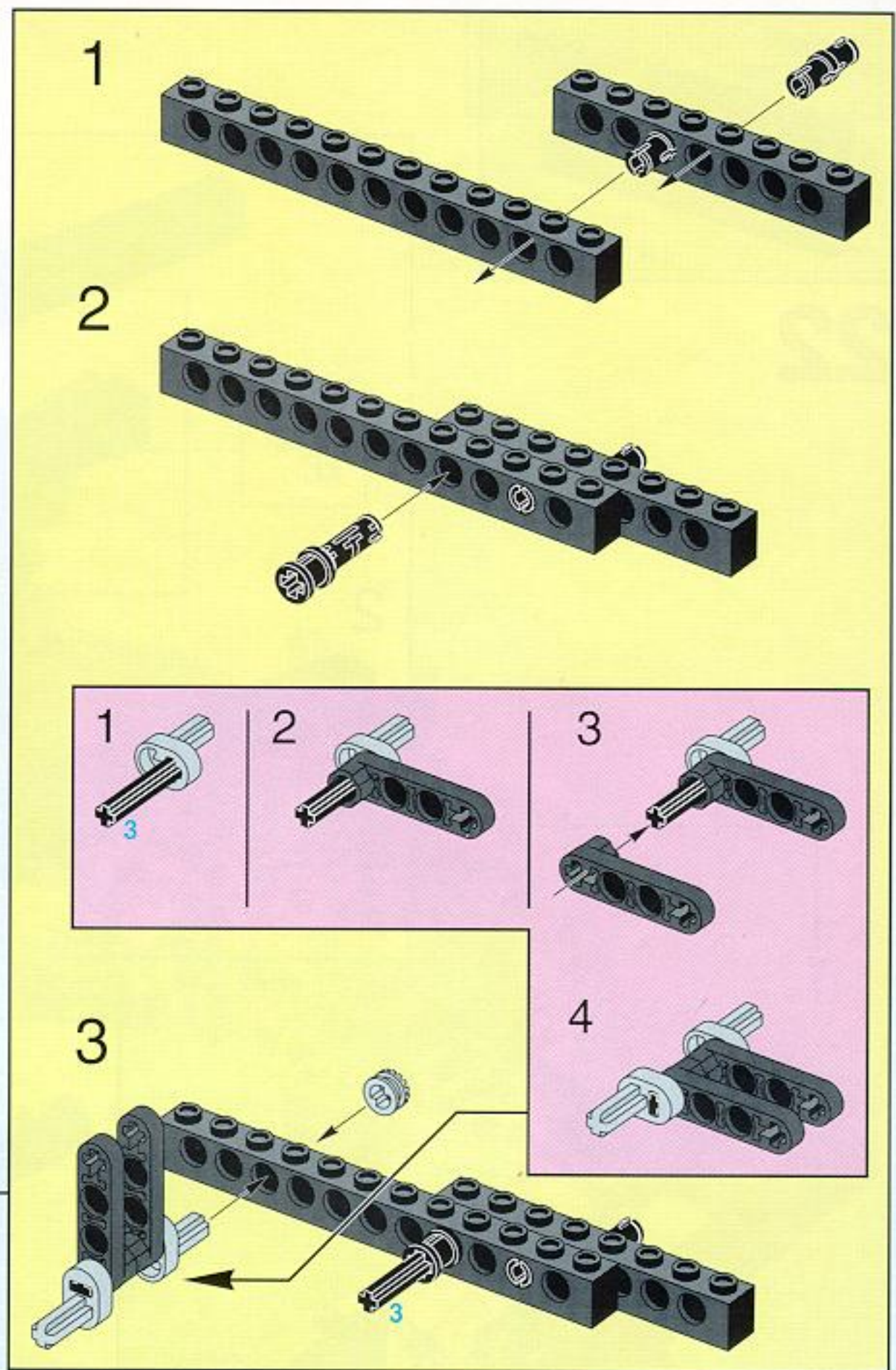
18

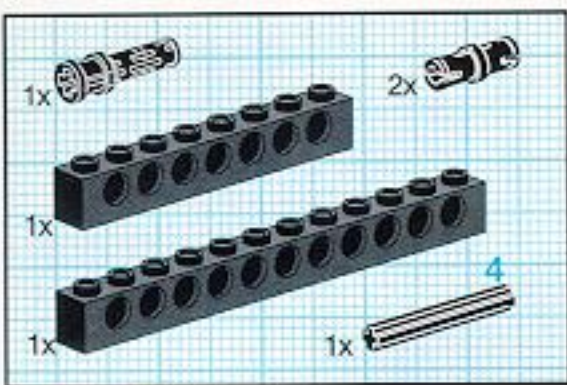




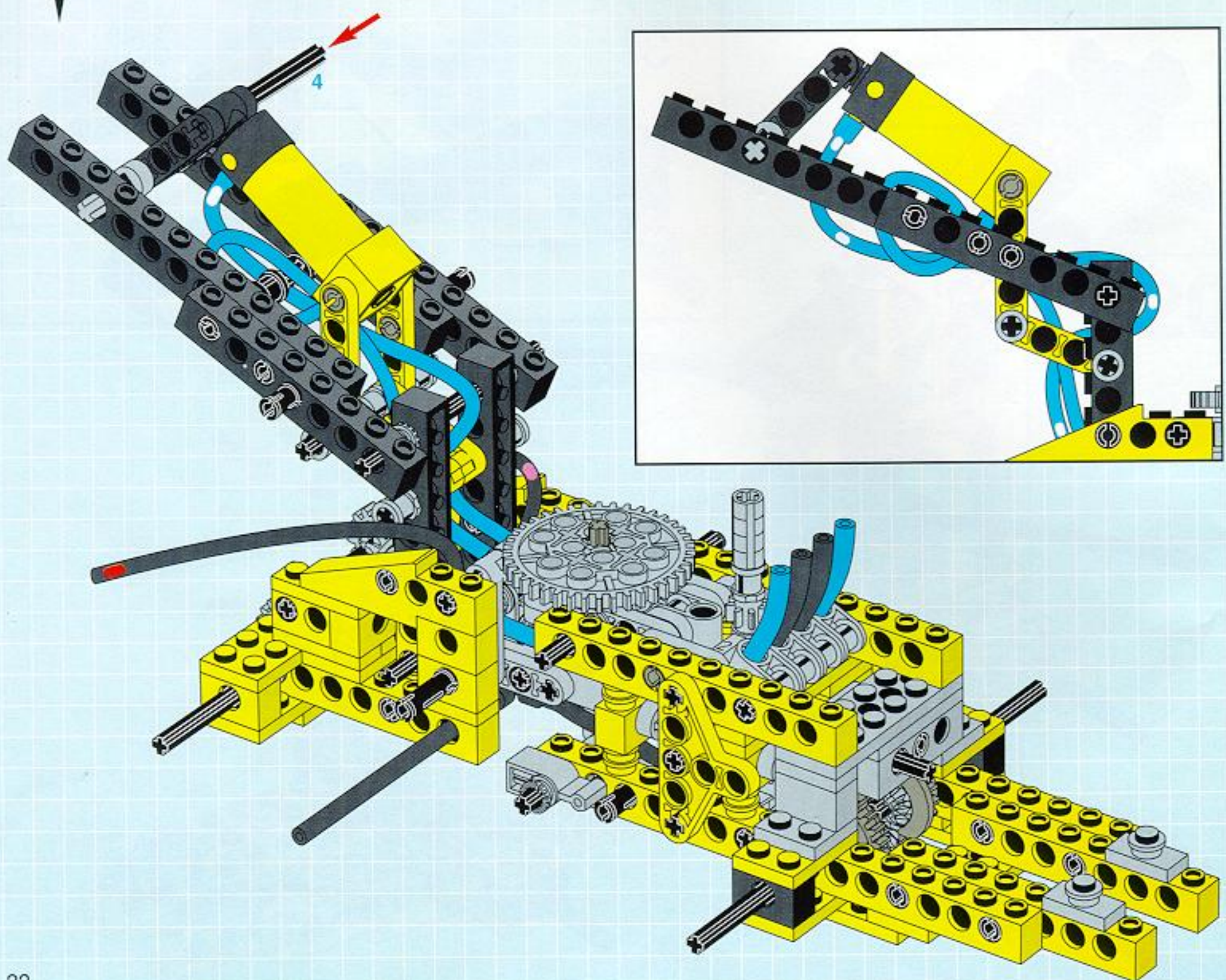
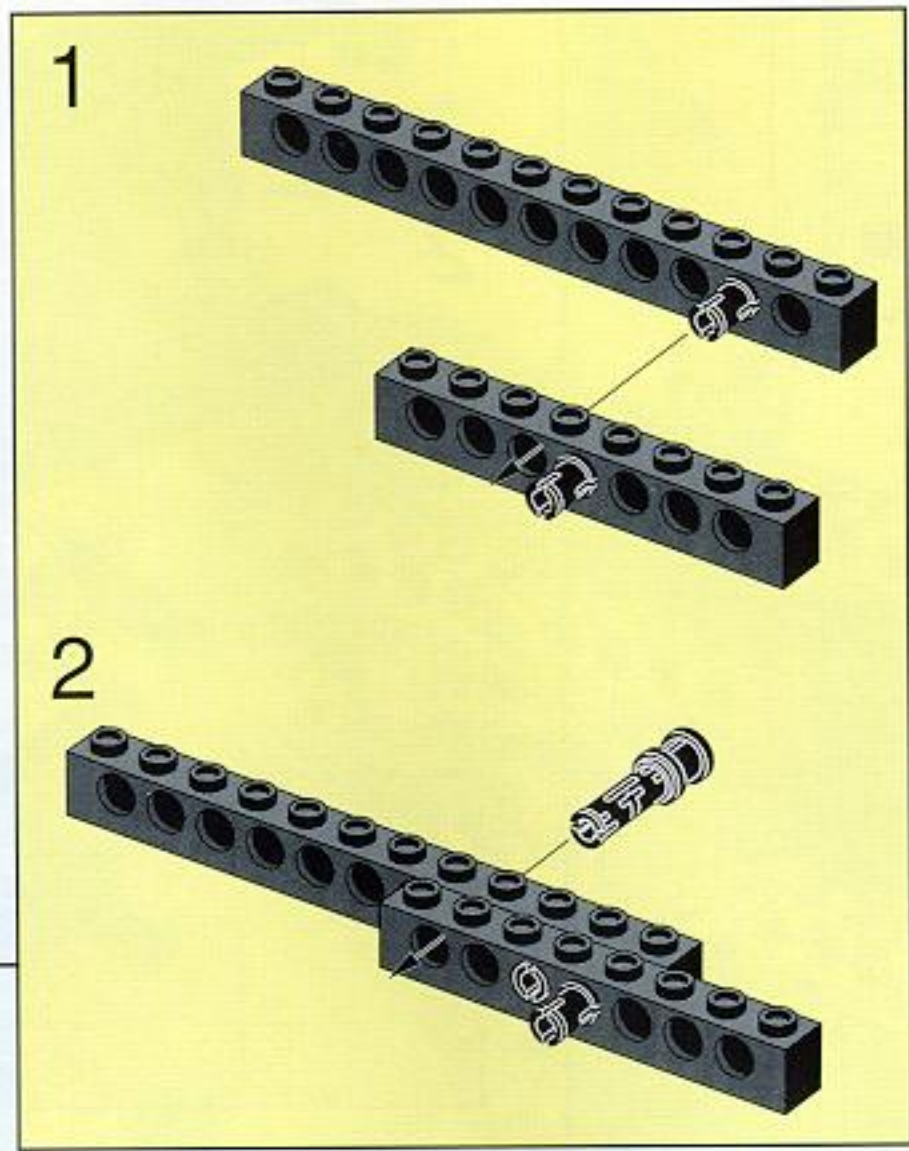


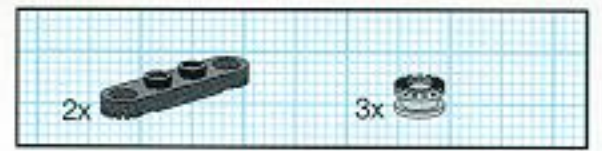
21



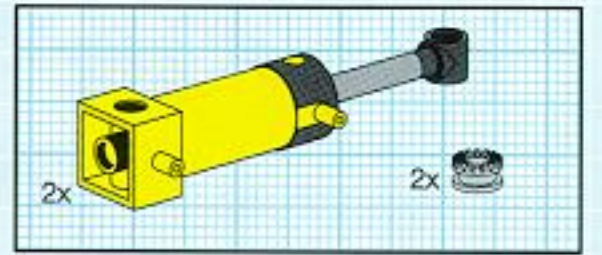
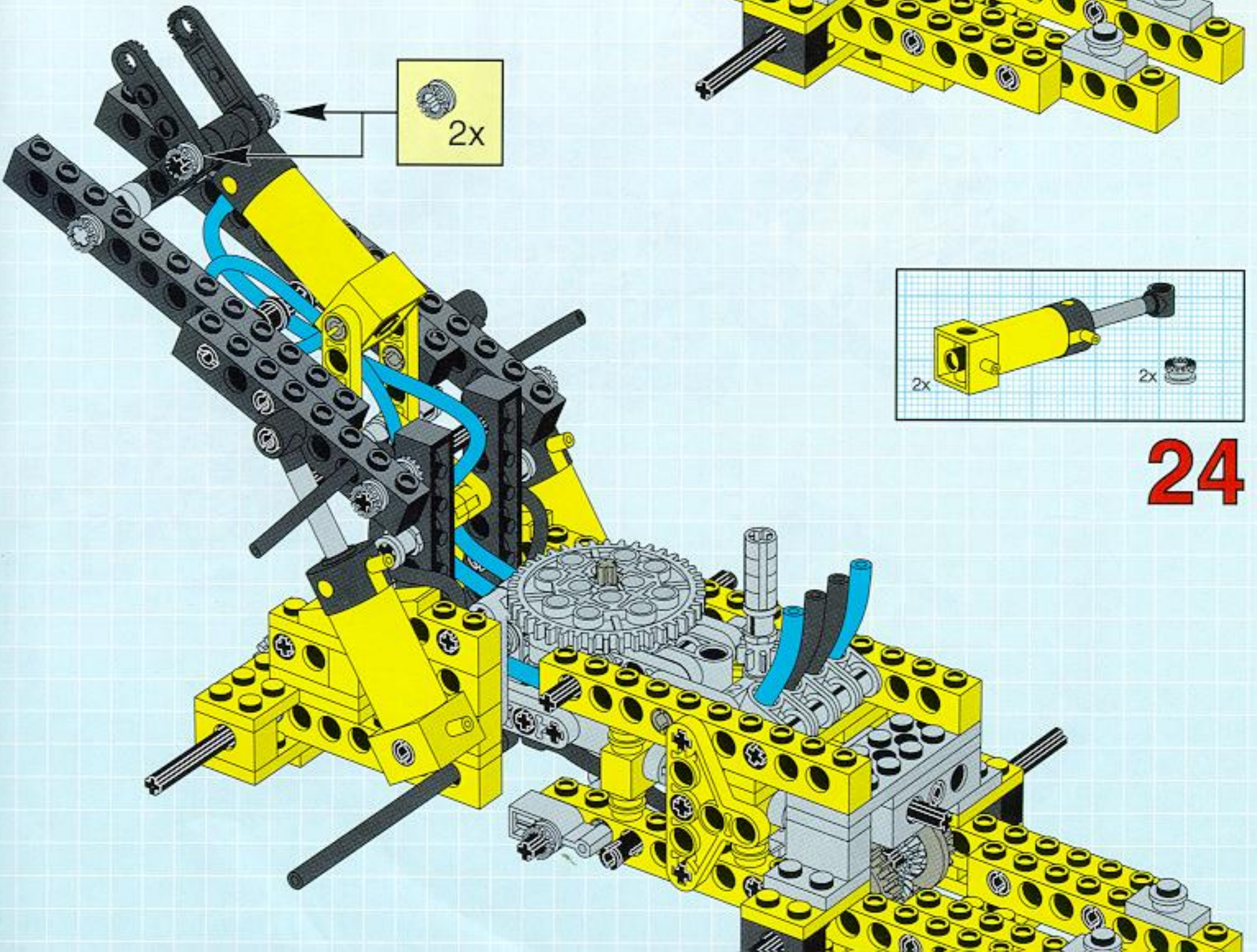
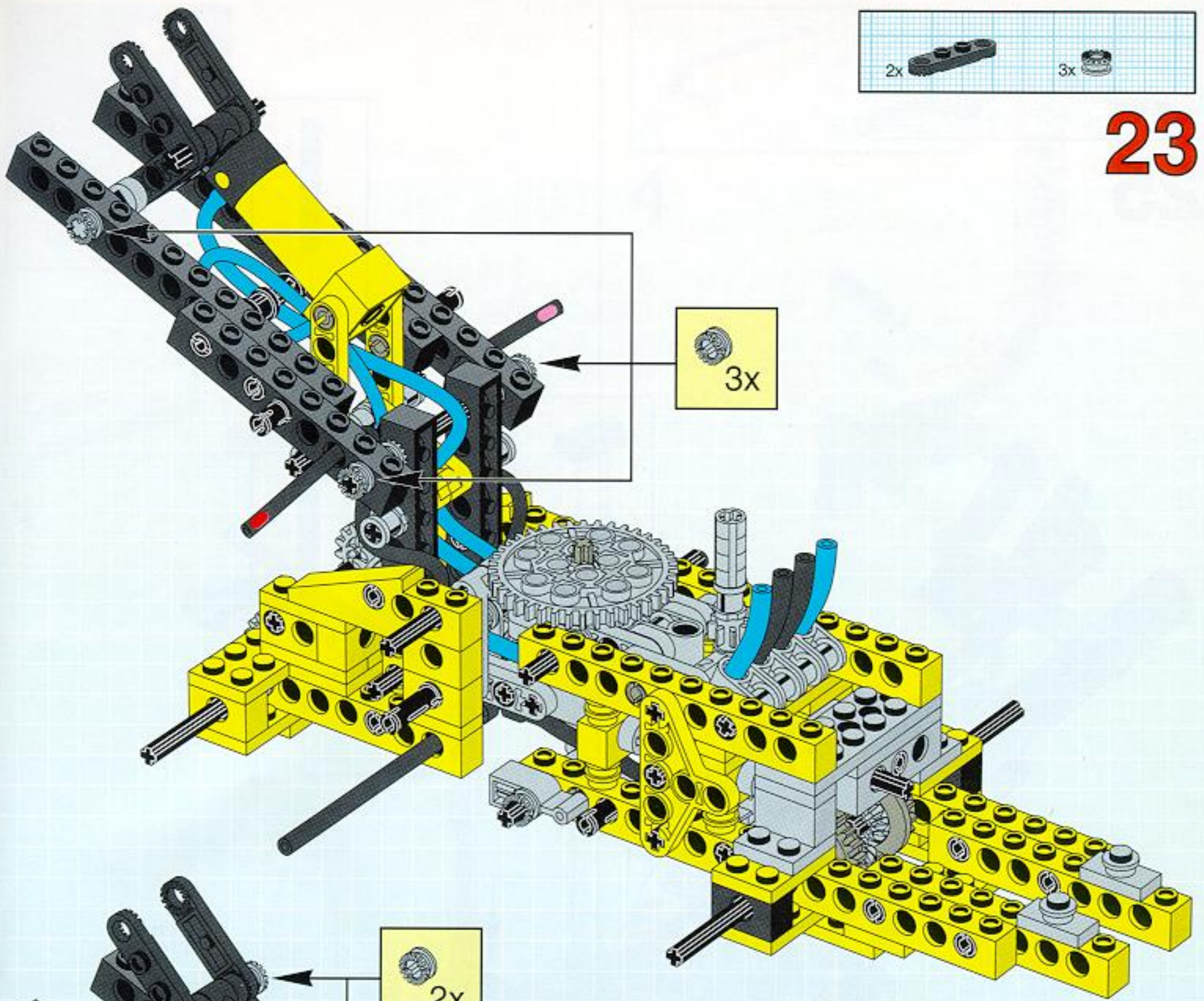


22

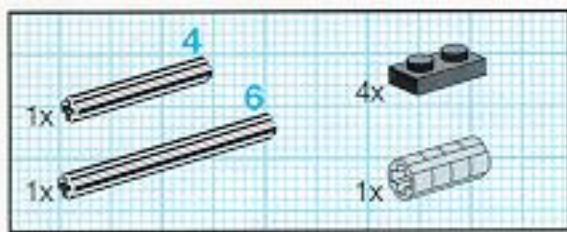




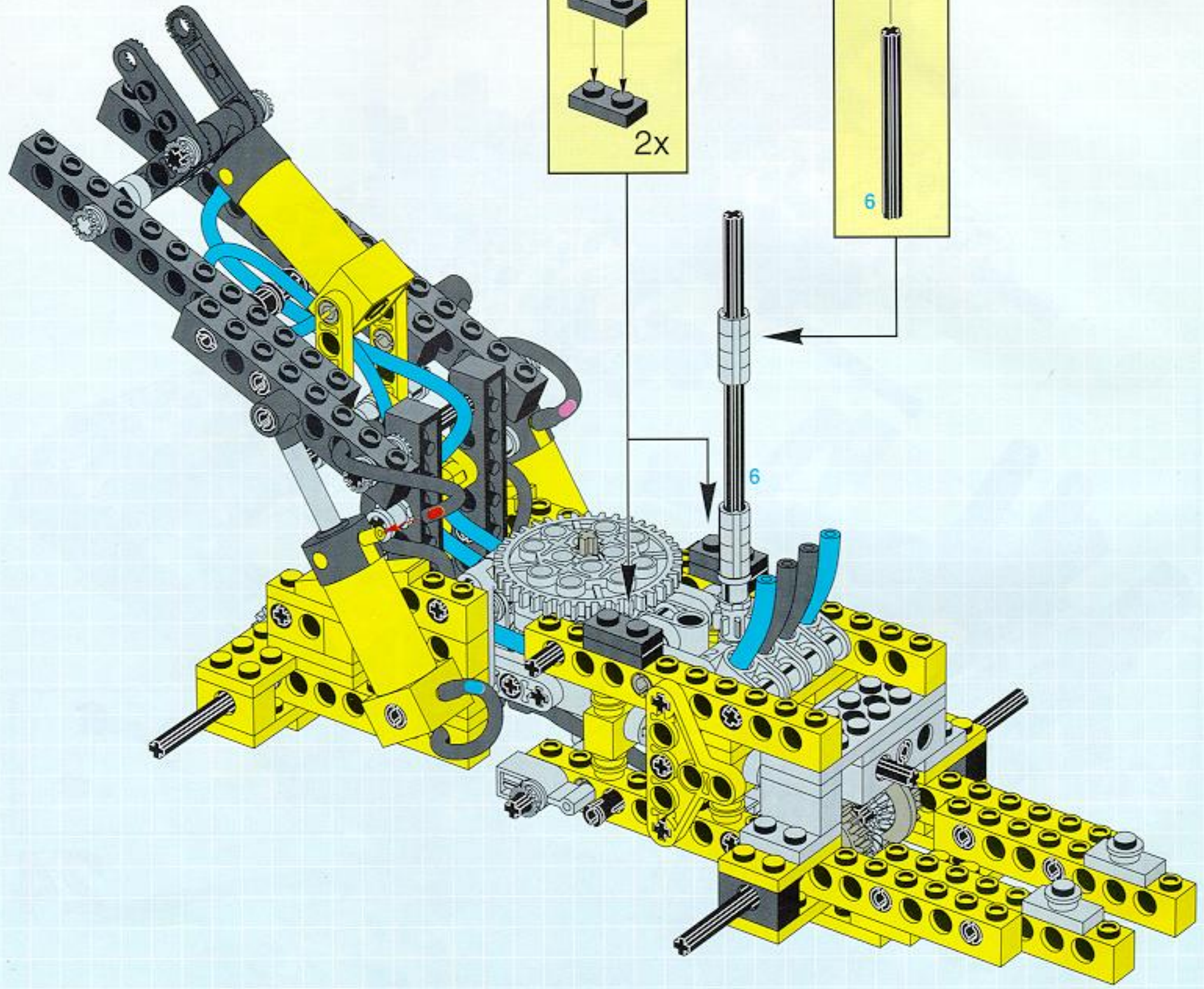
23

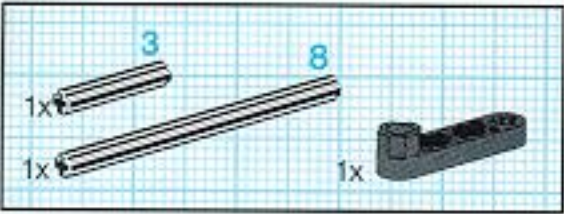


24



25

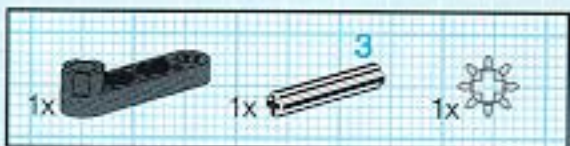




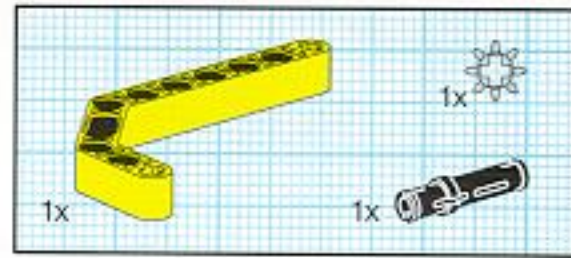
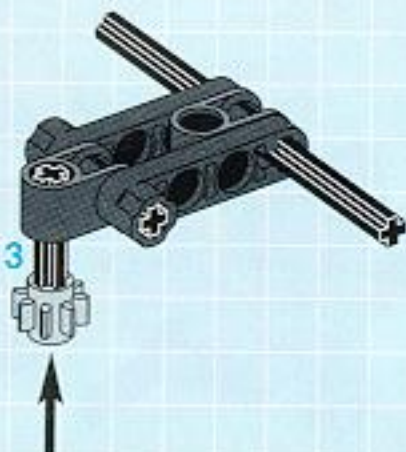
1



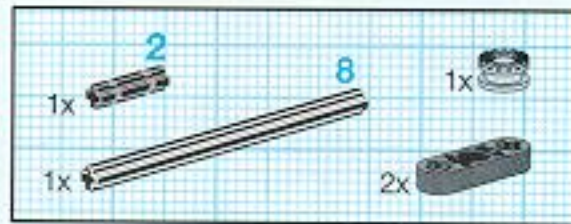
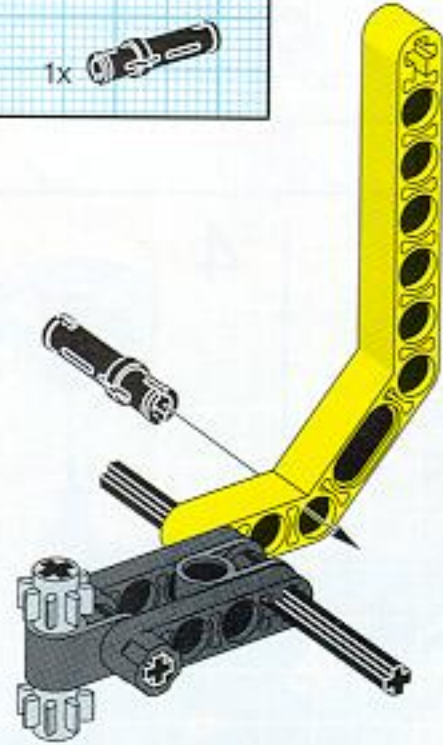
2



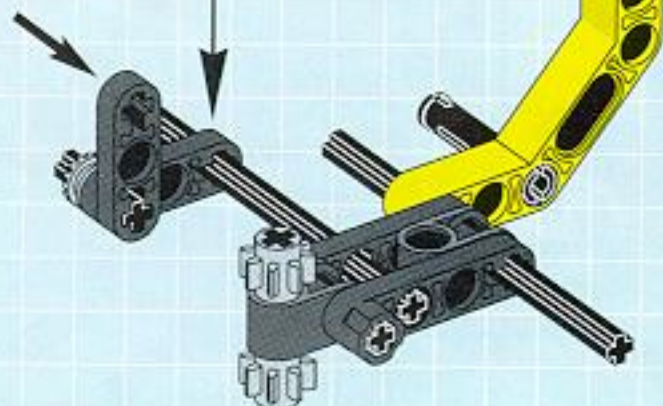
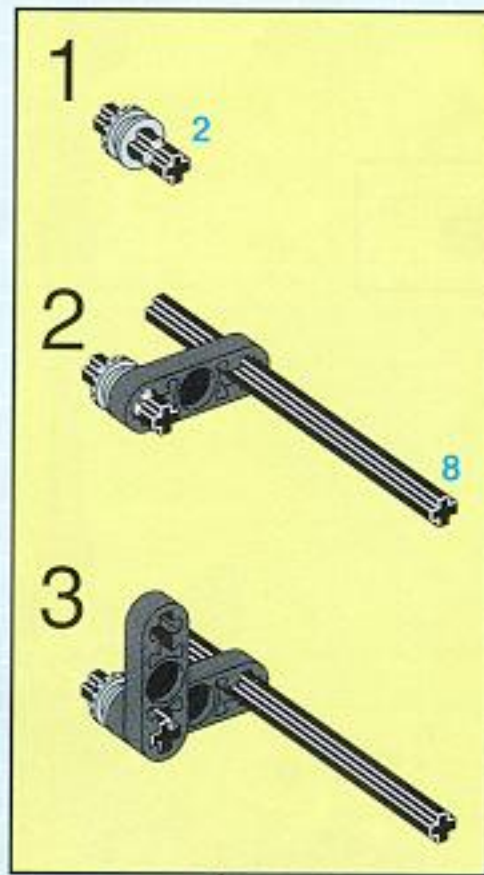
3

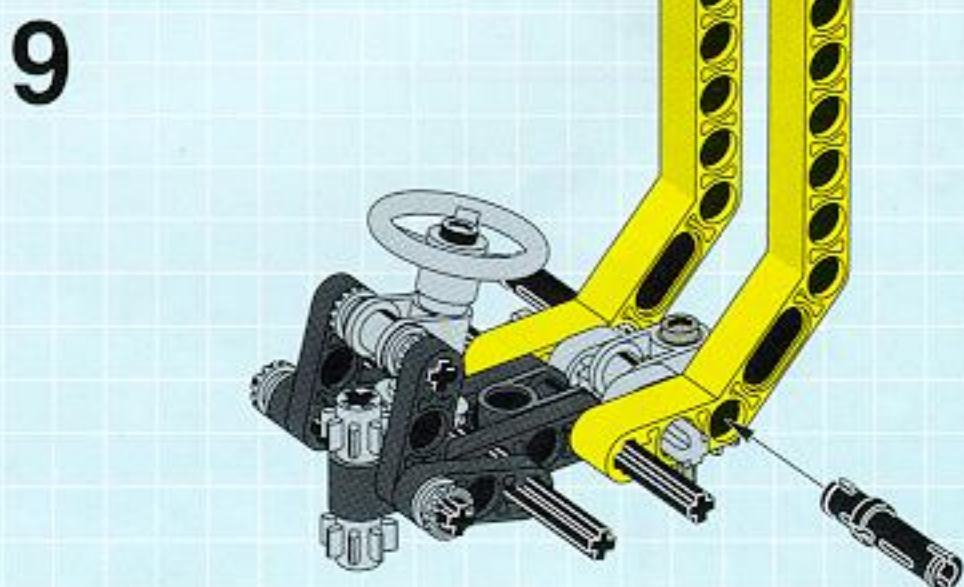
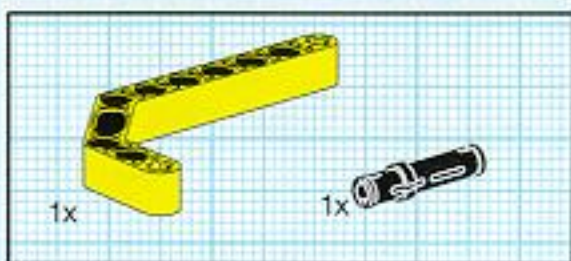
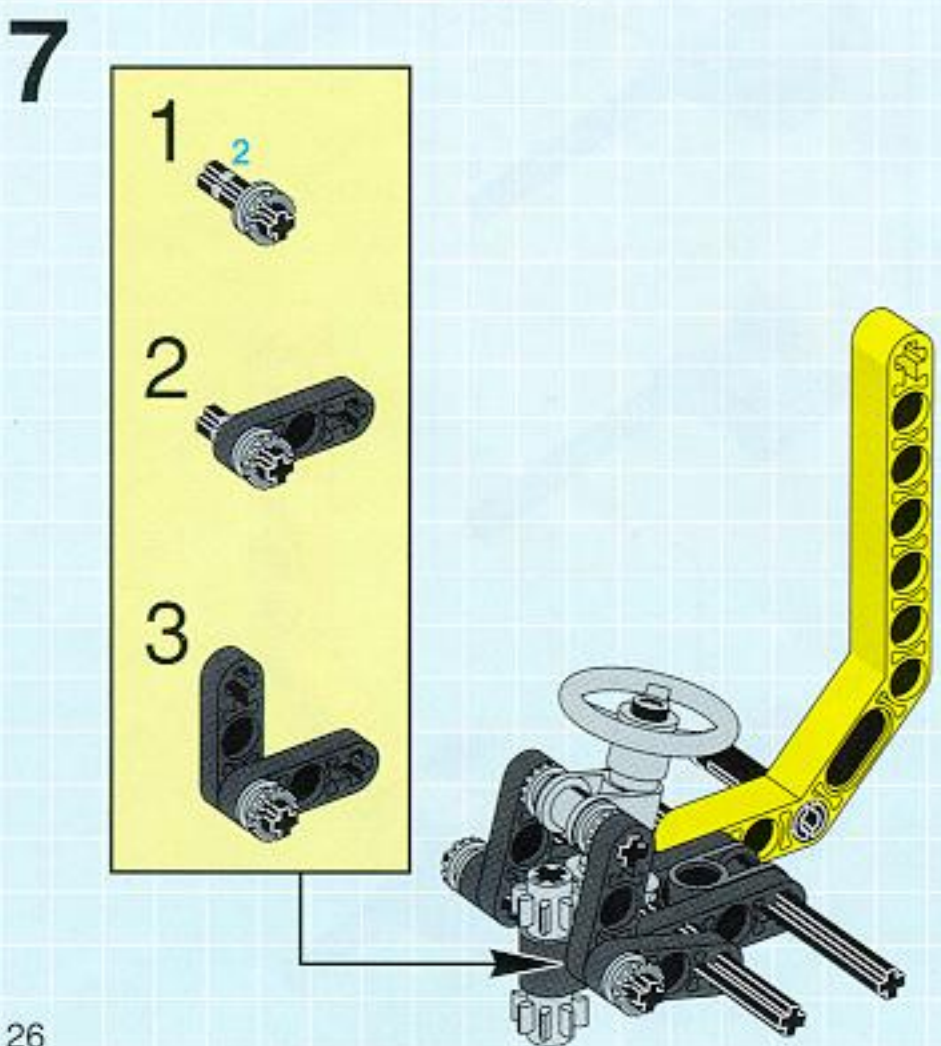
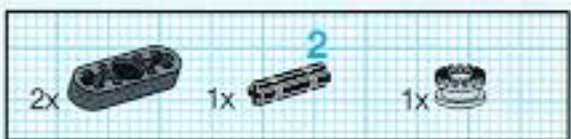
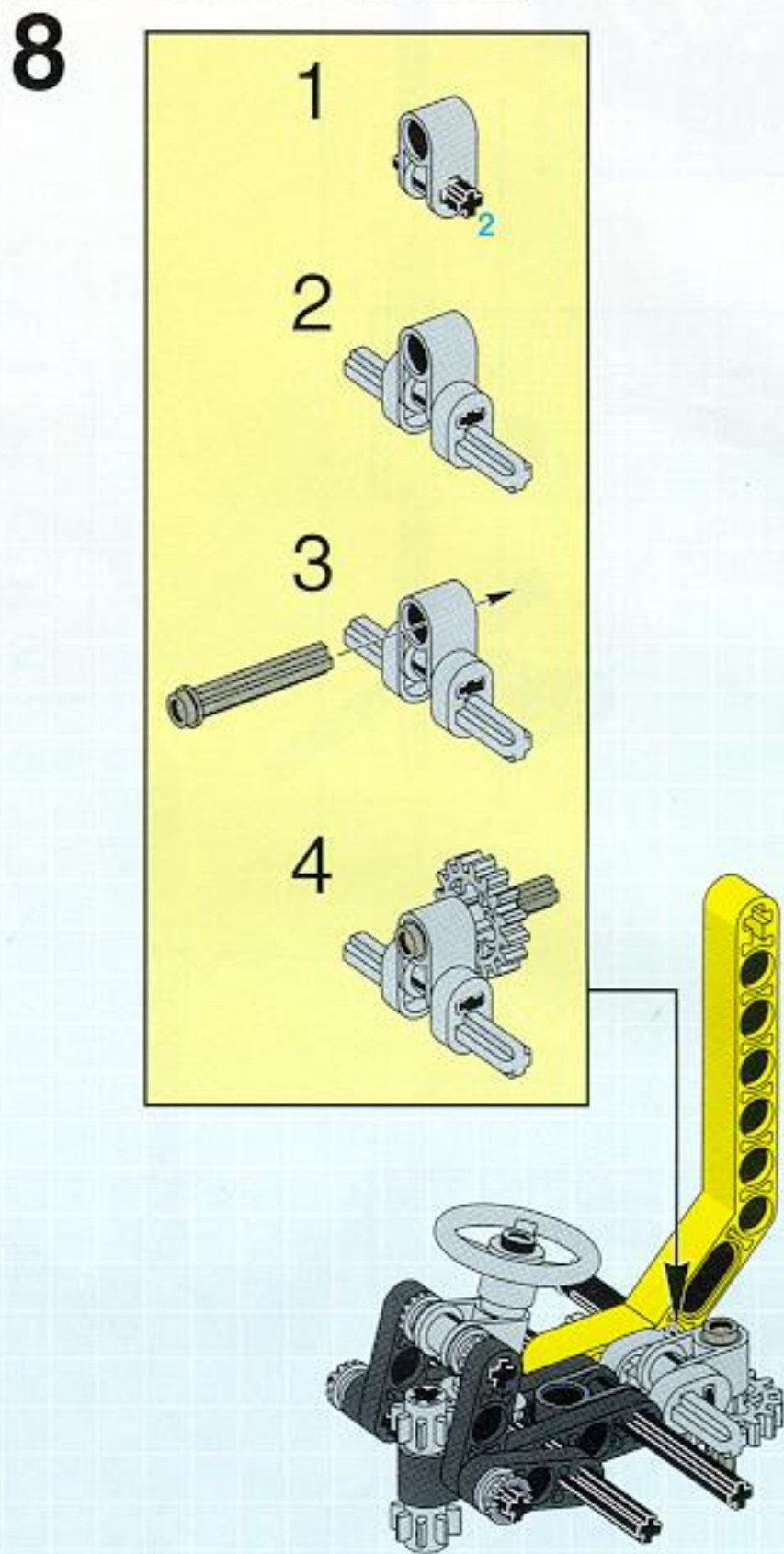
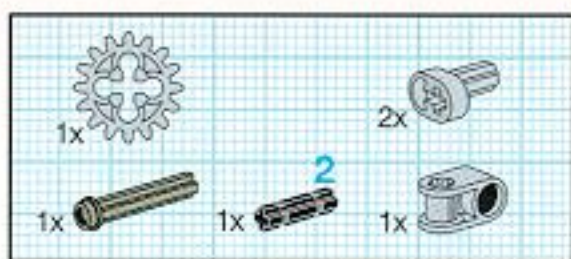
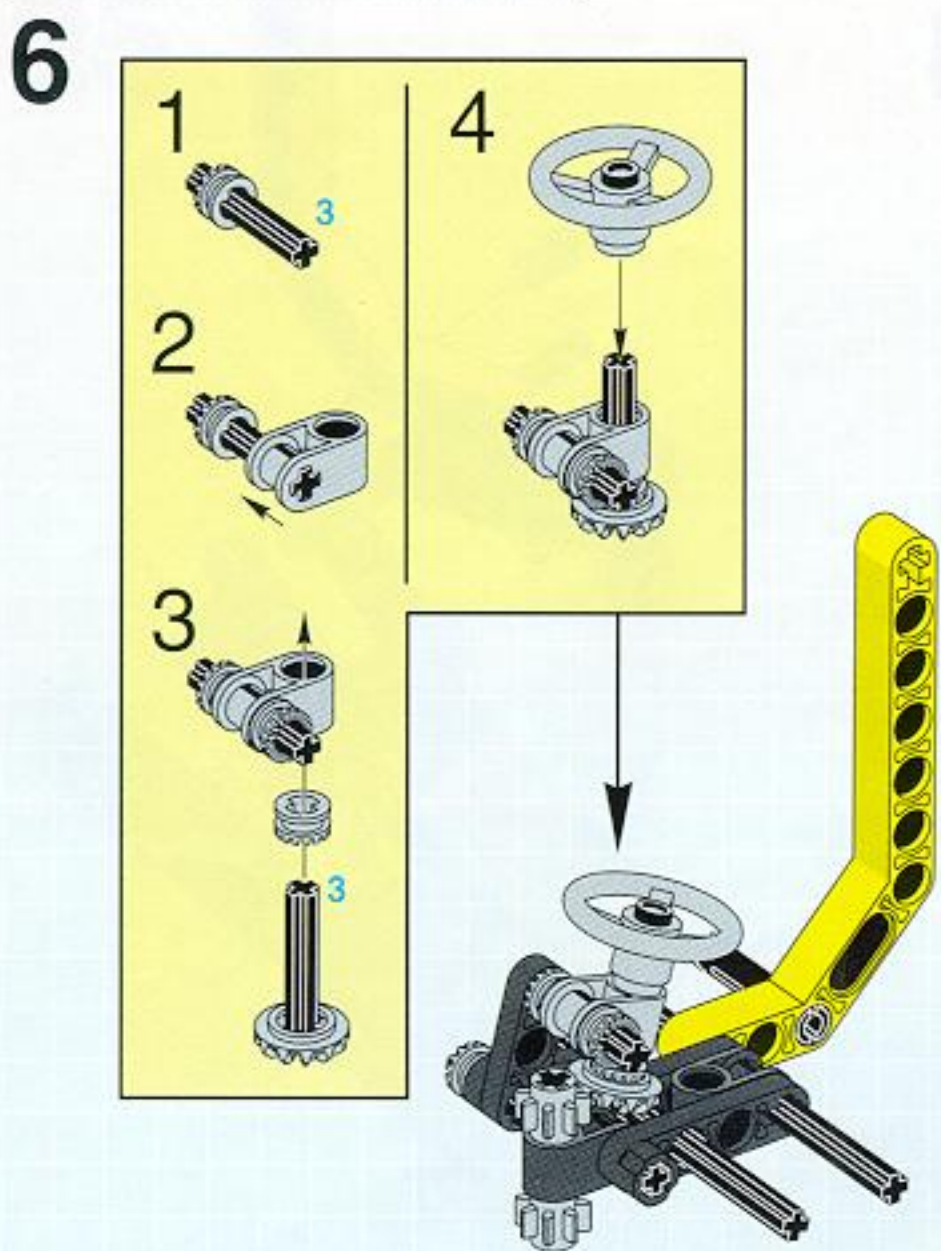
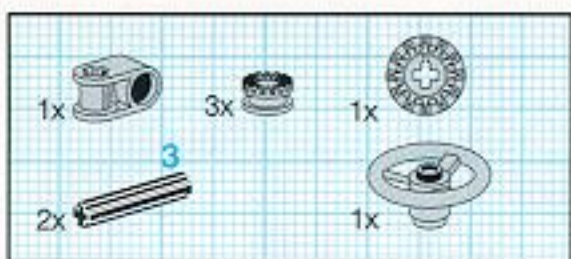


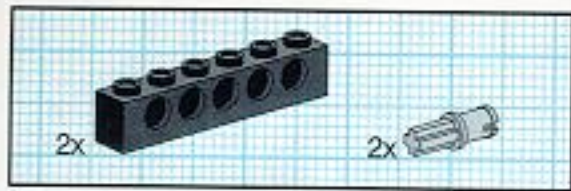
4



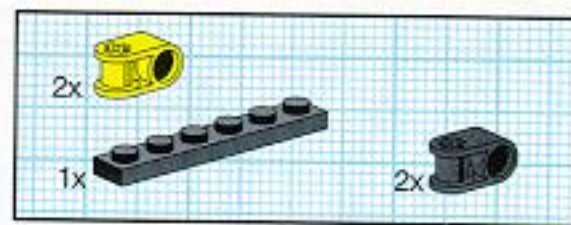
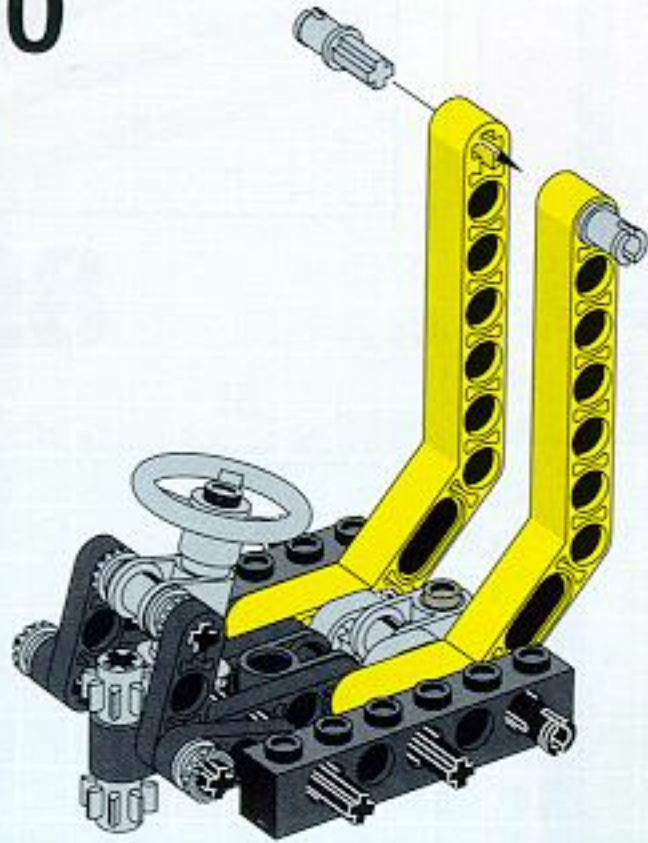
5



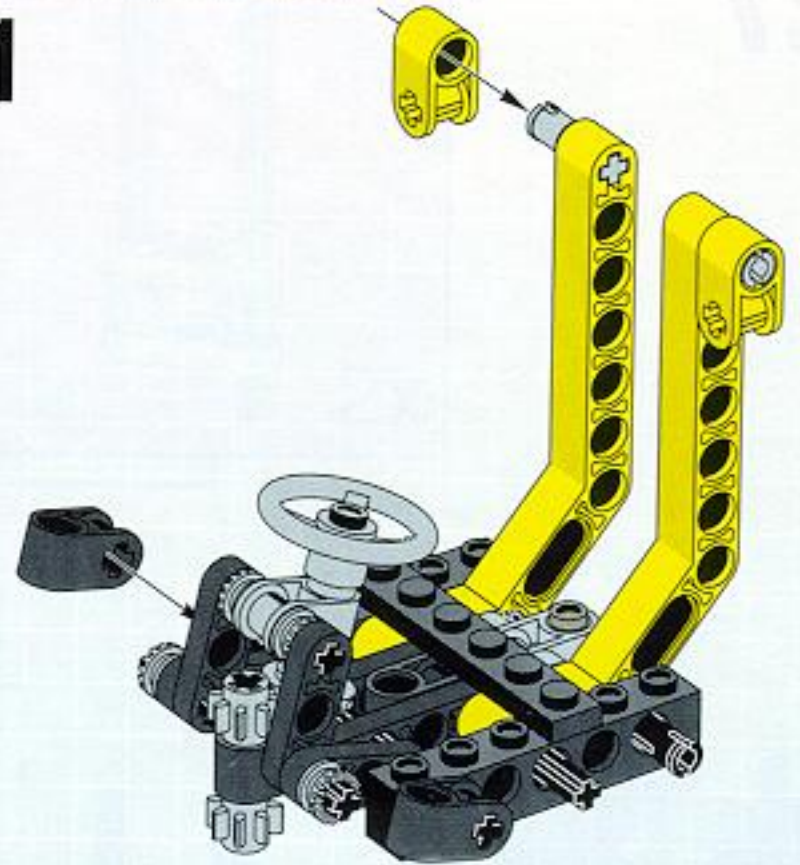




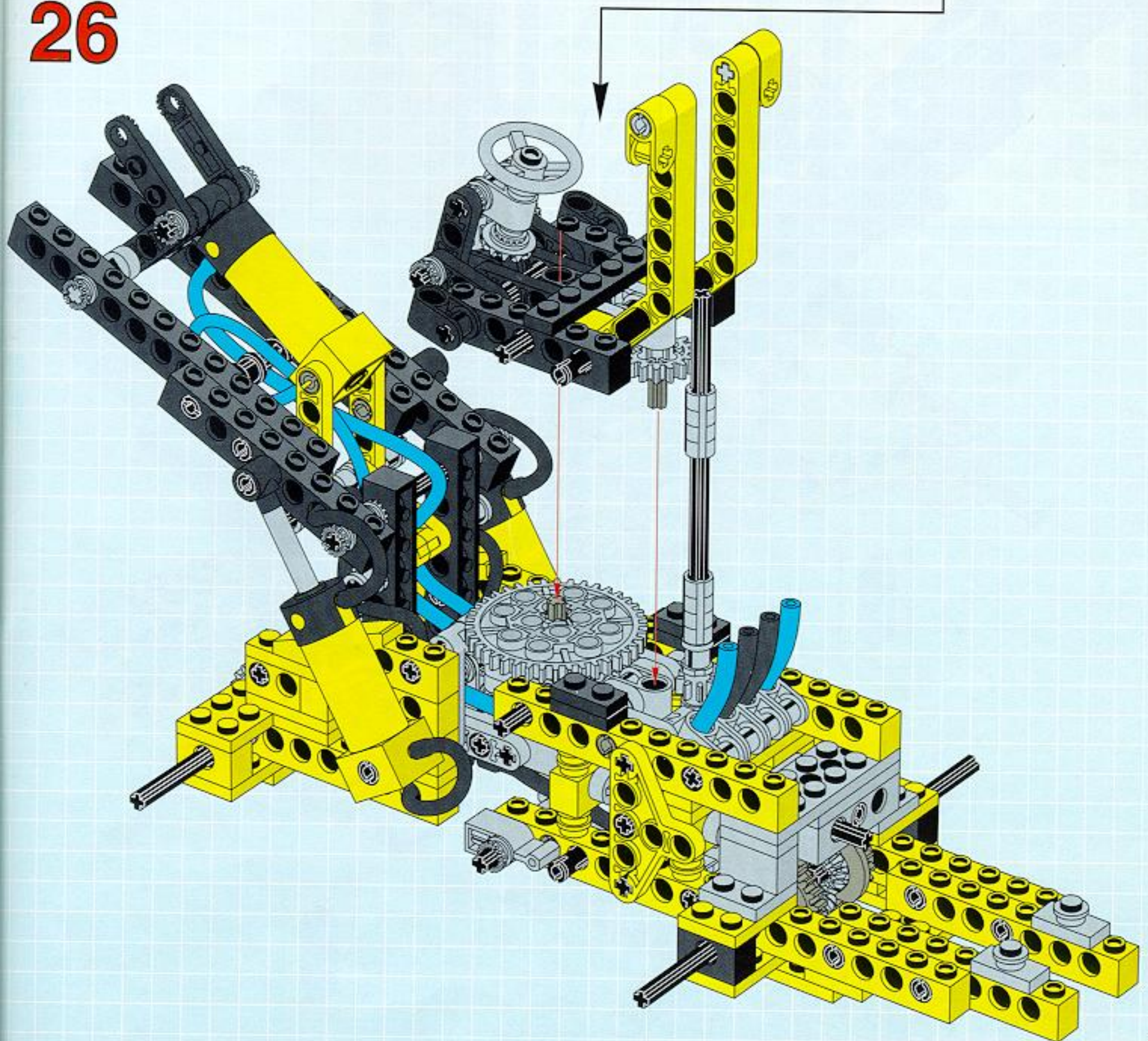
10



11

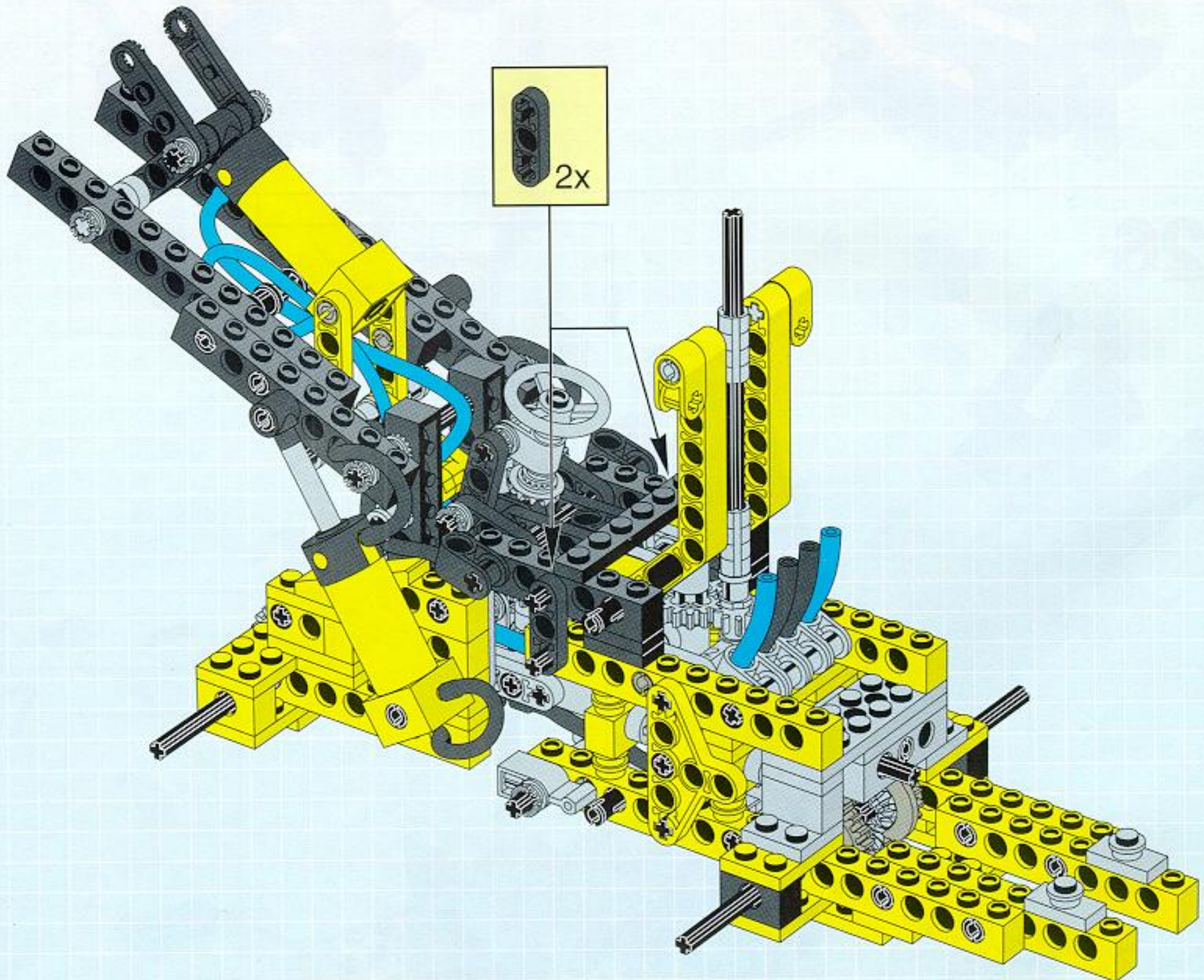


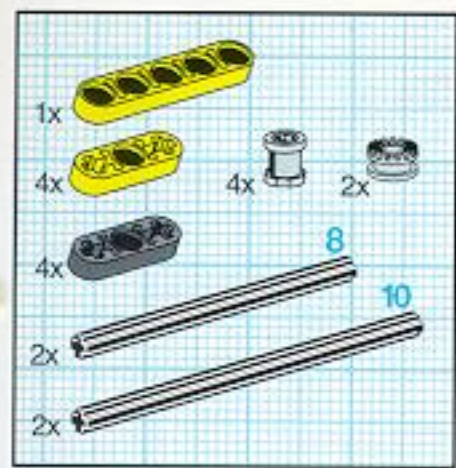
26



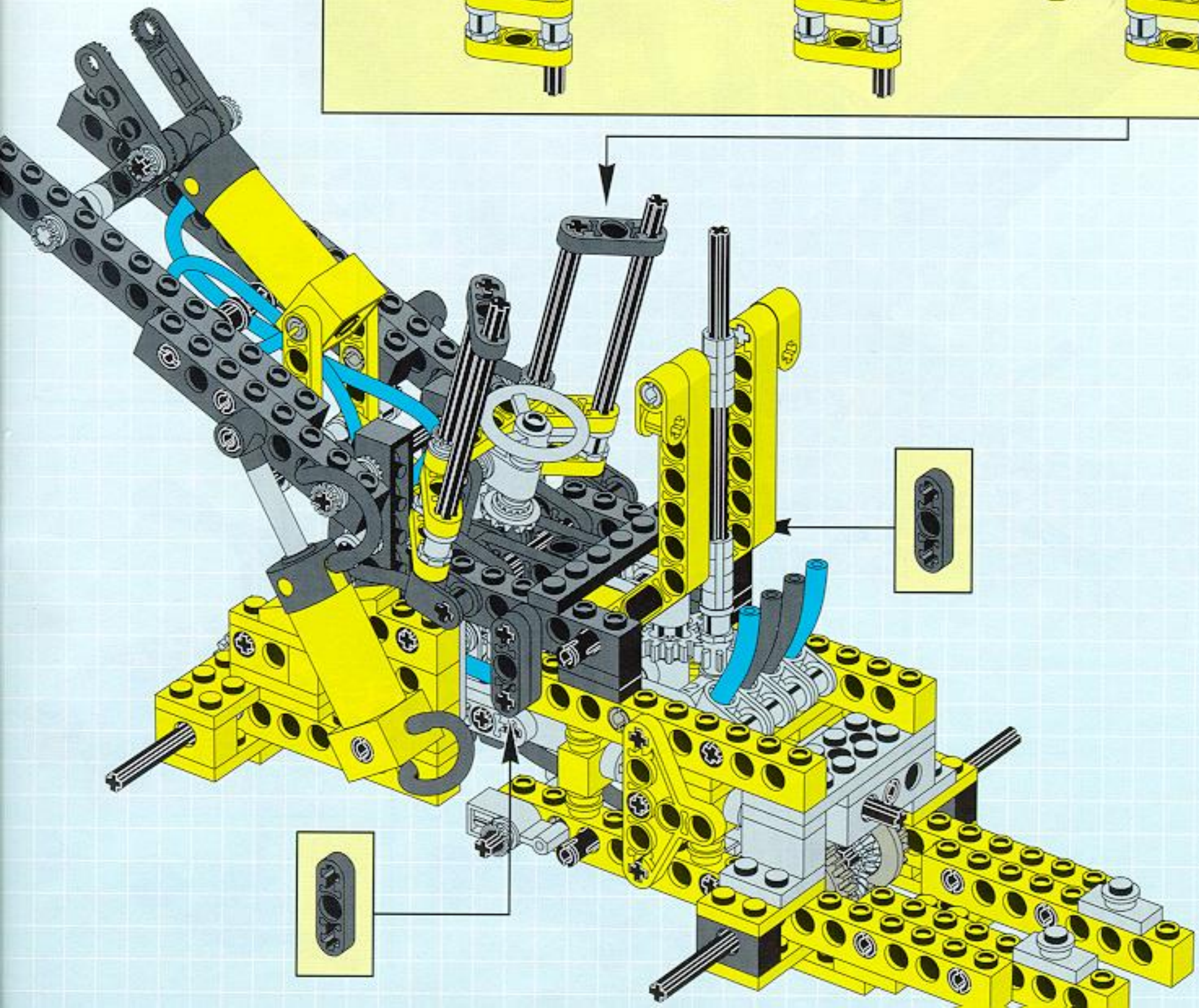
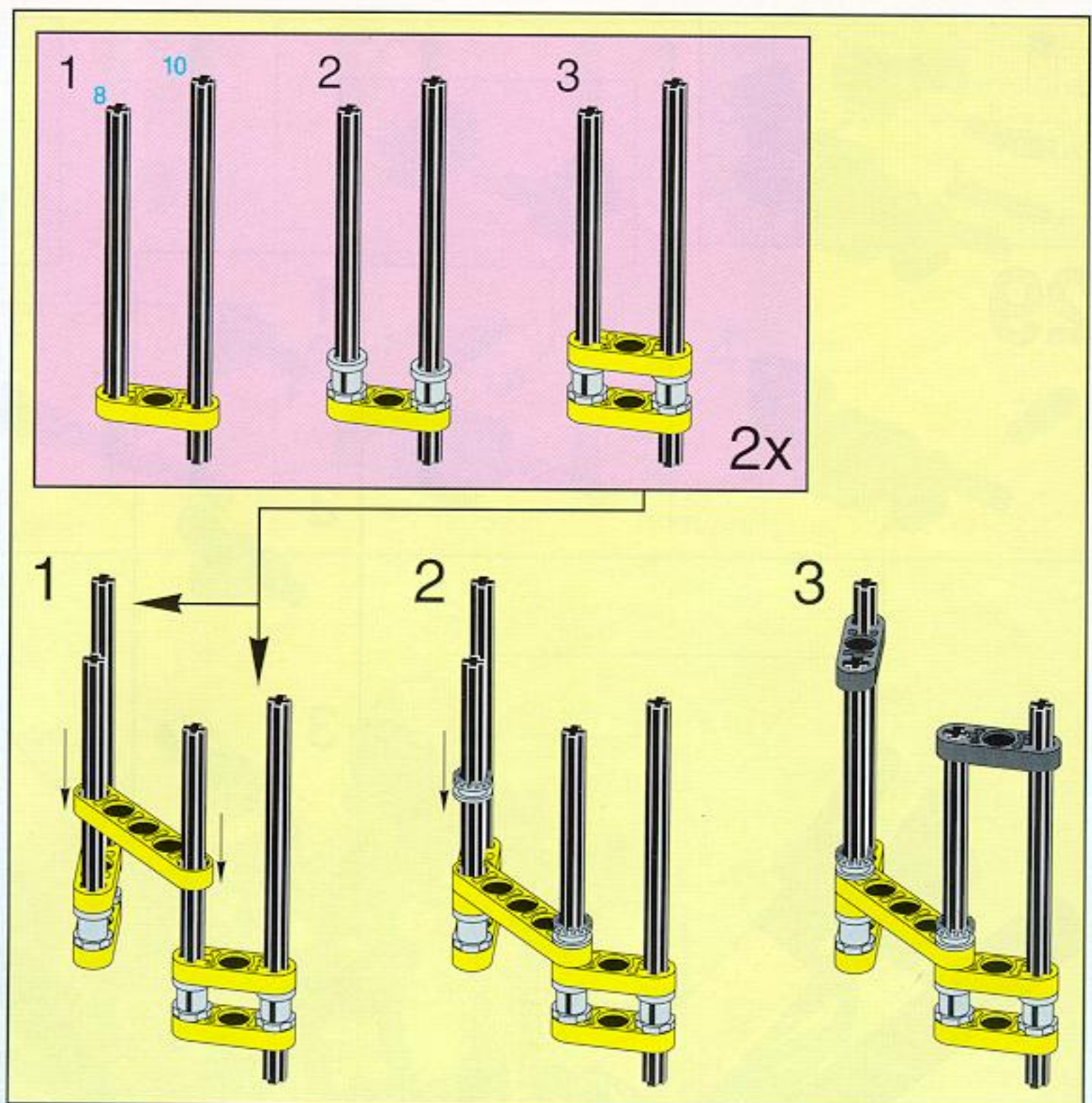


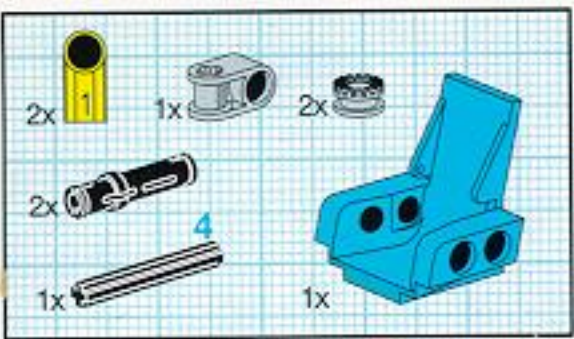
27



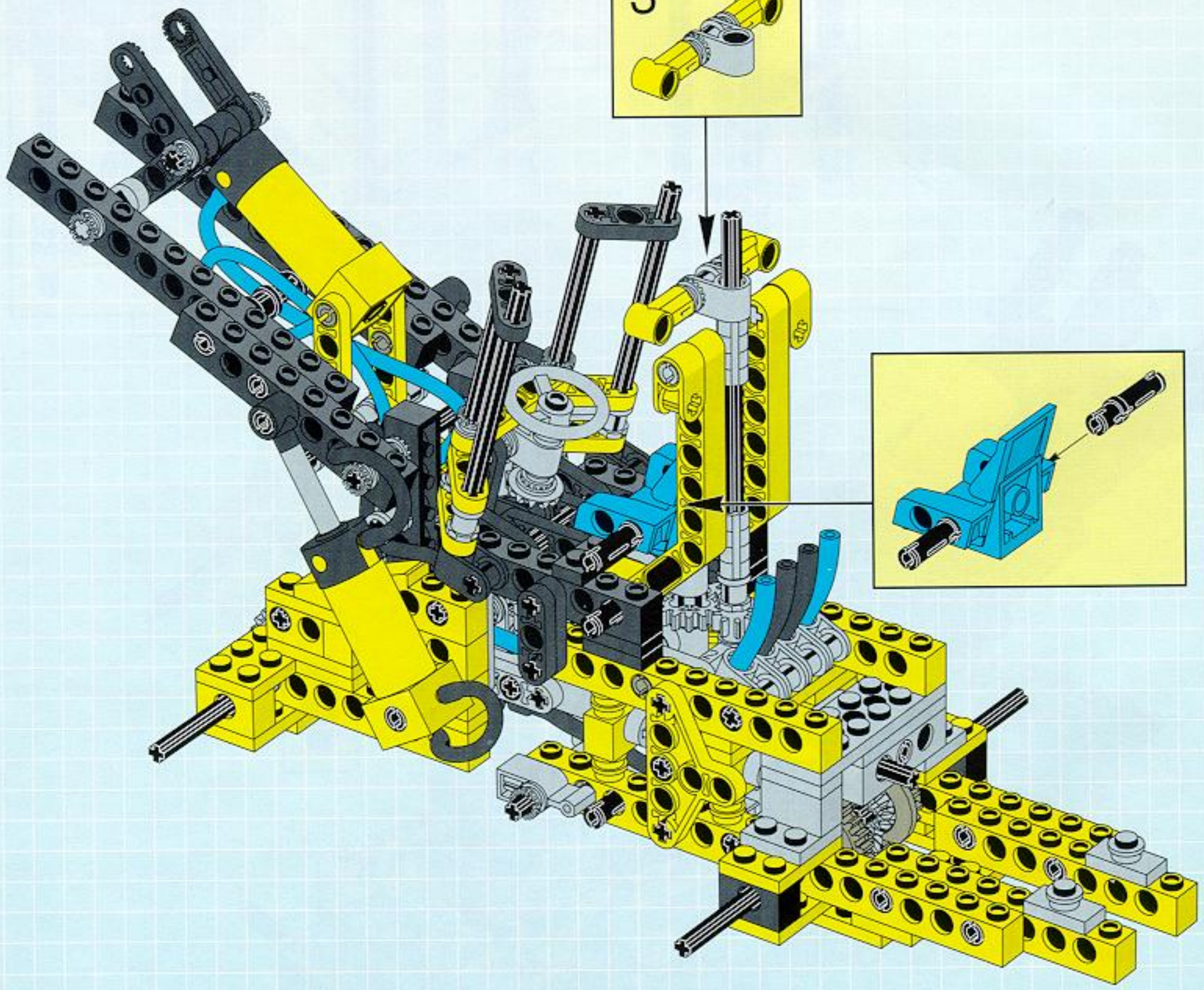


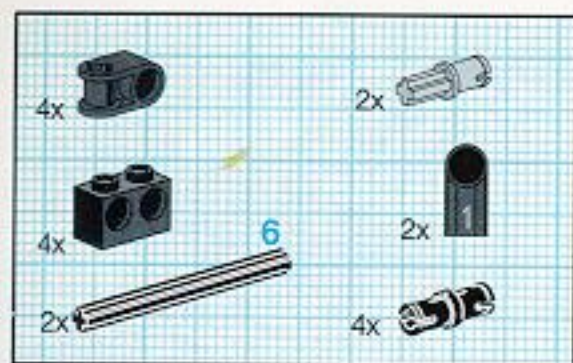
28



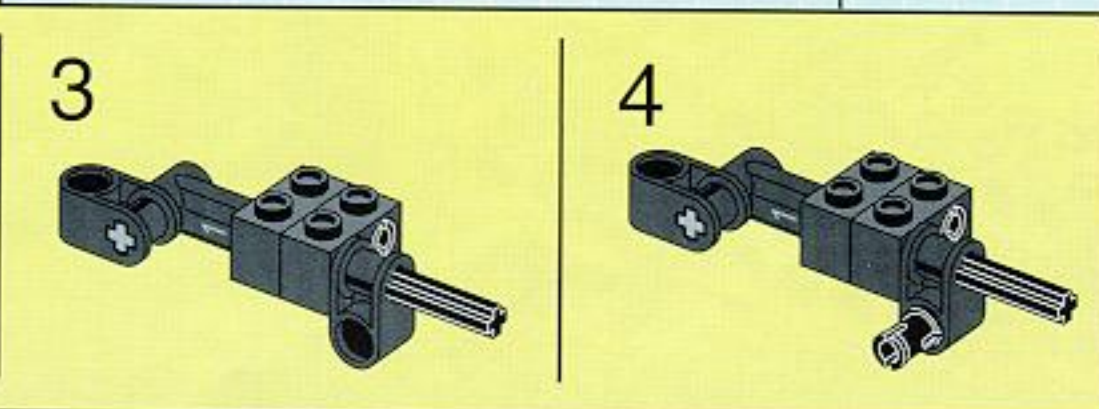
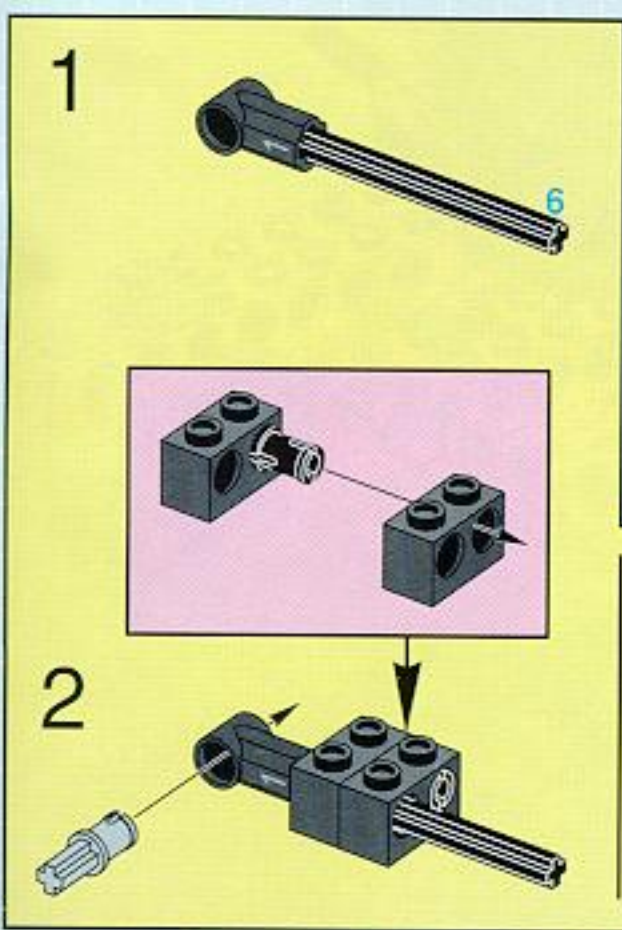
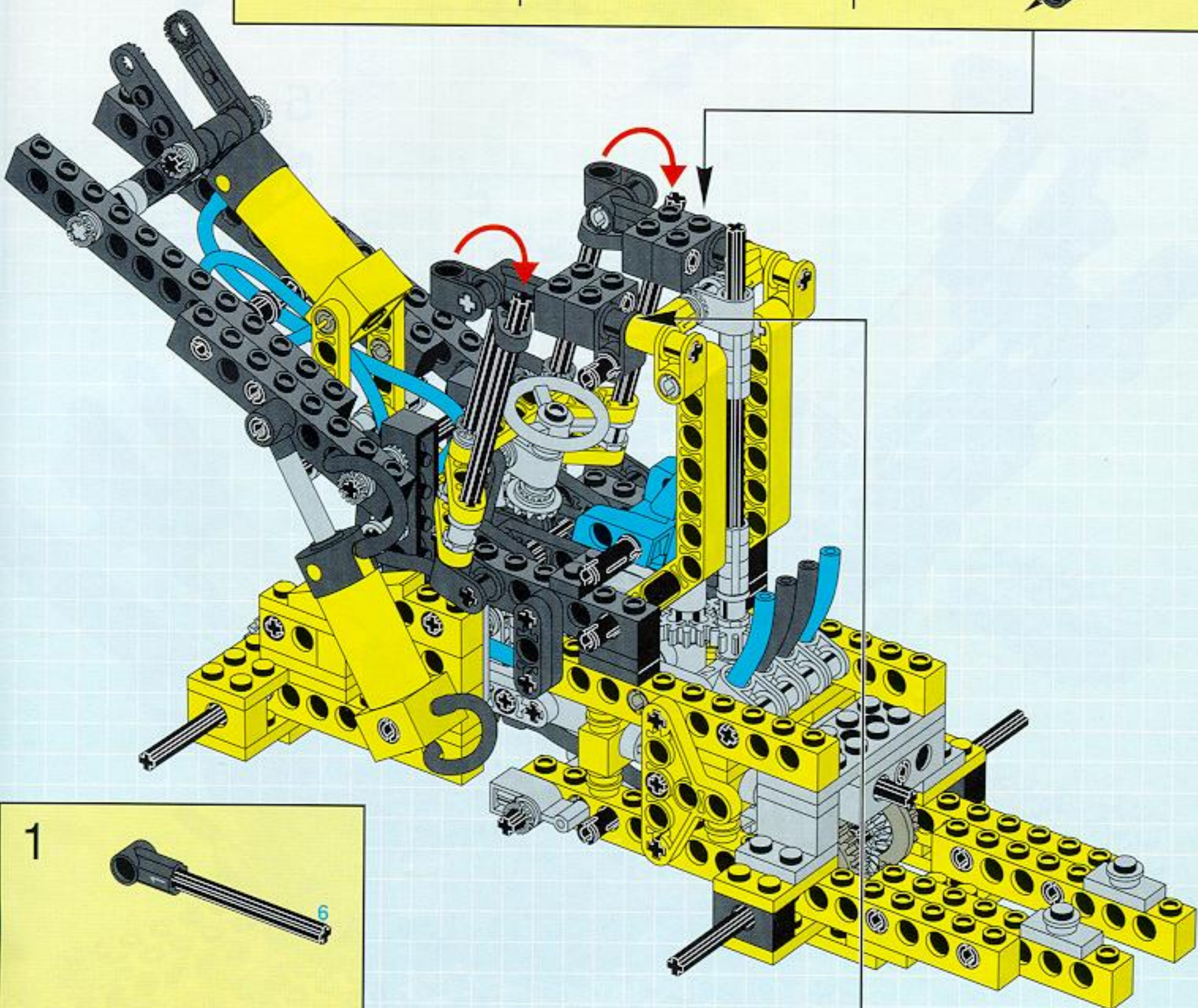
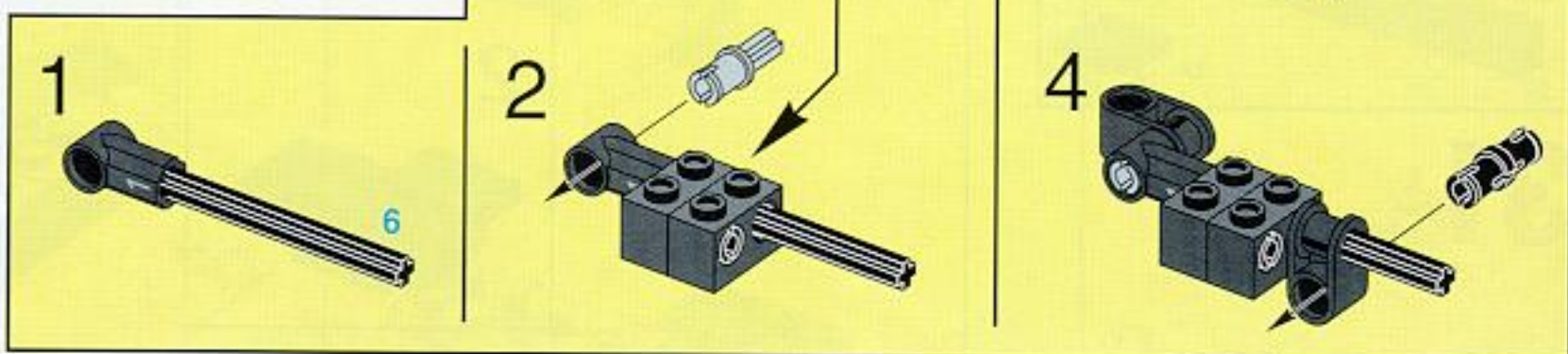


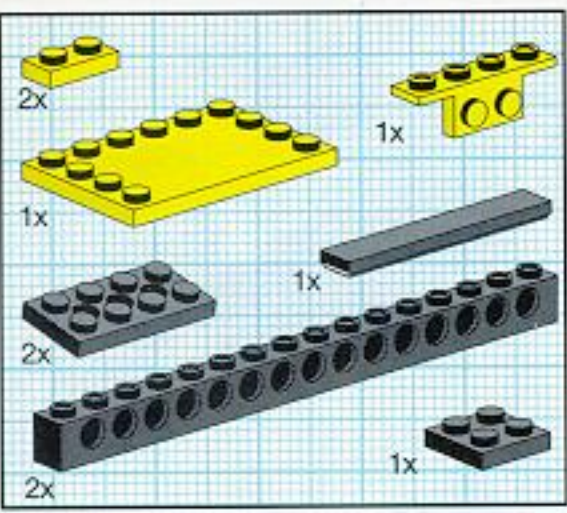
29



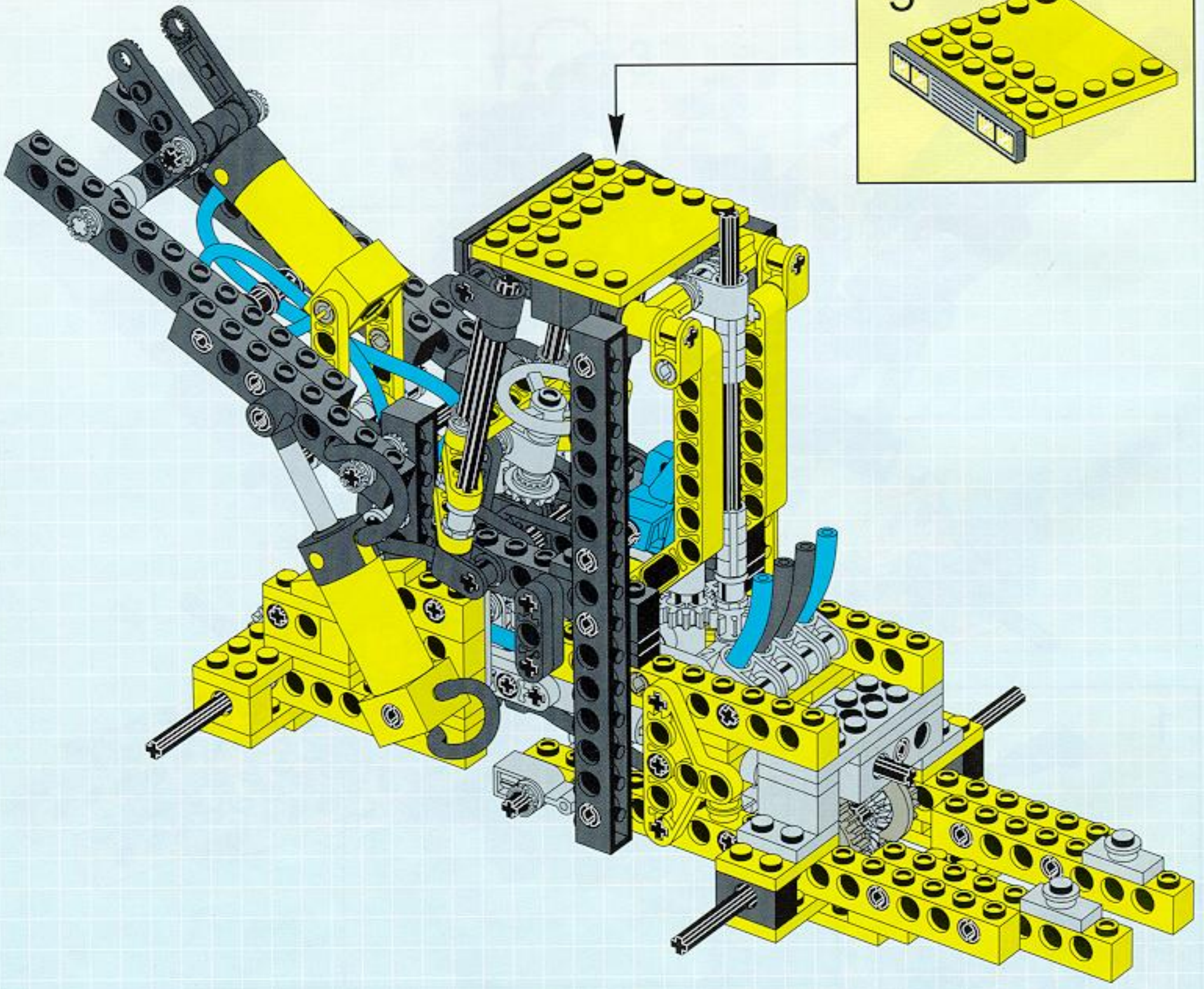
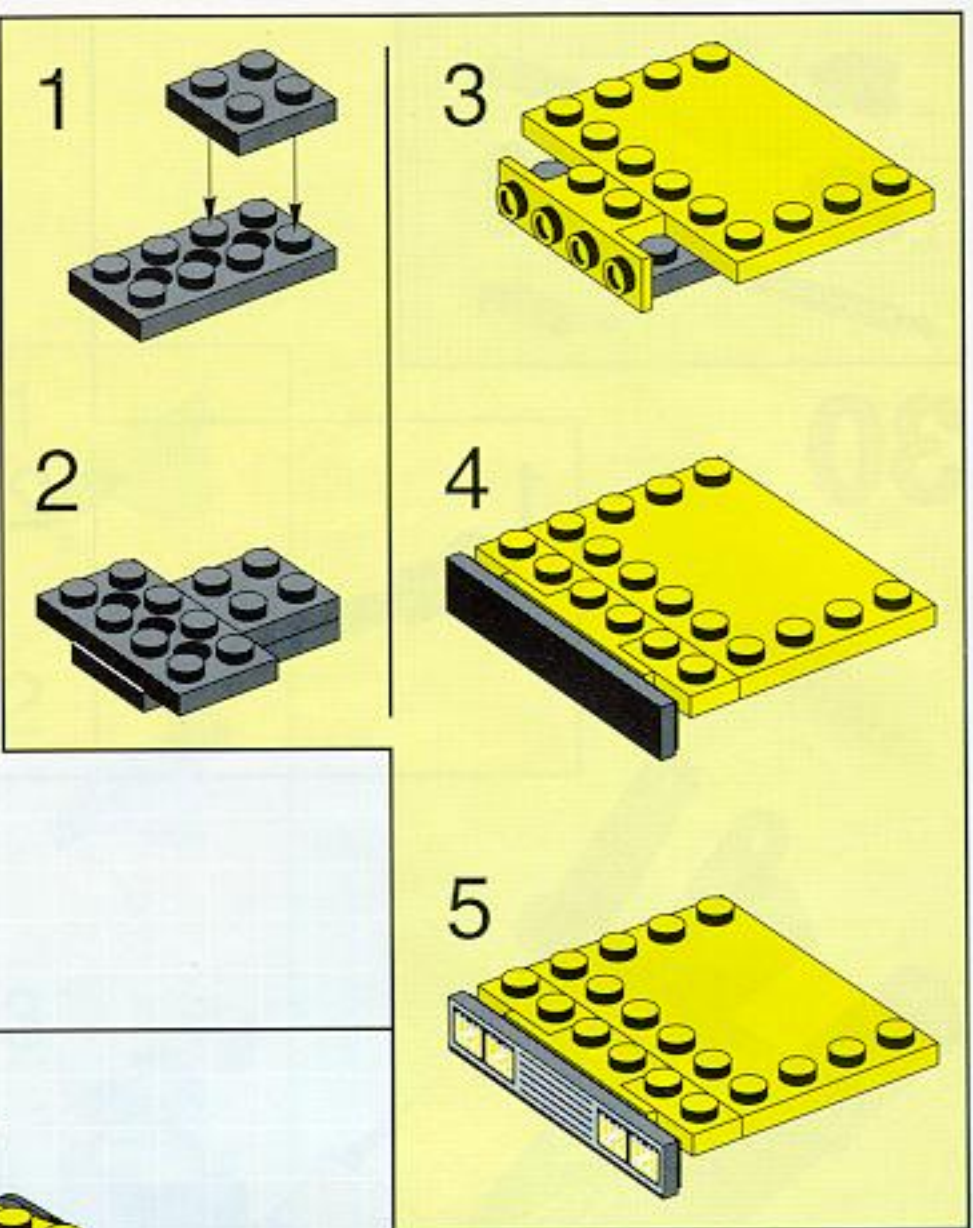


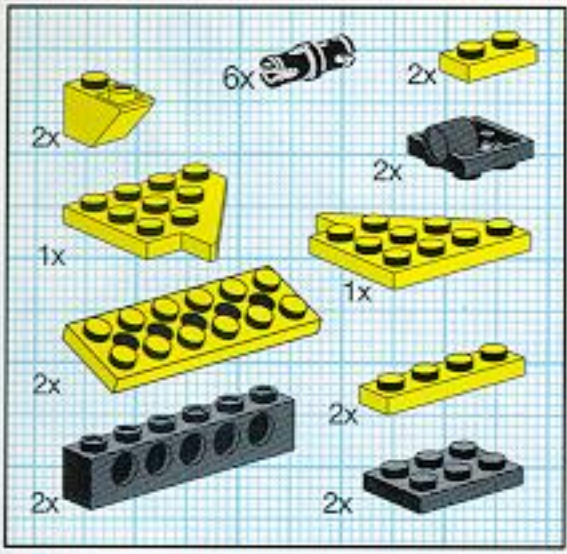
30



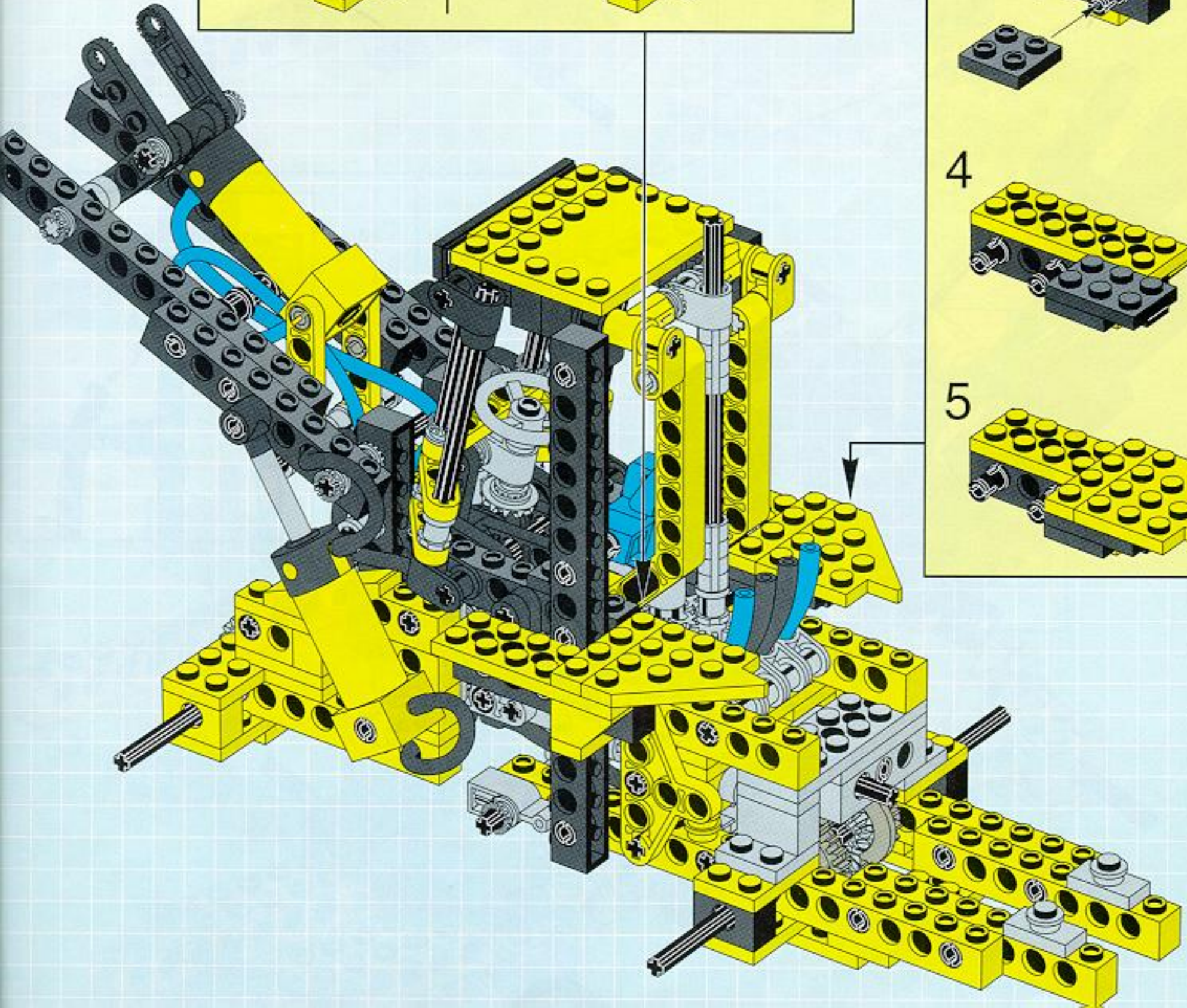
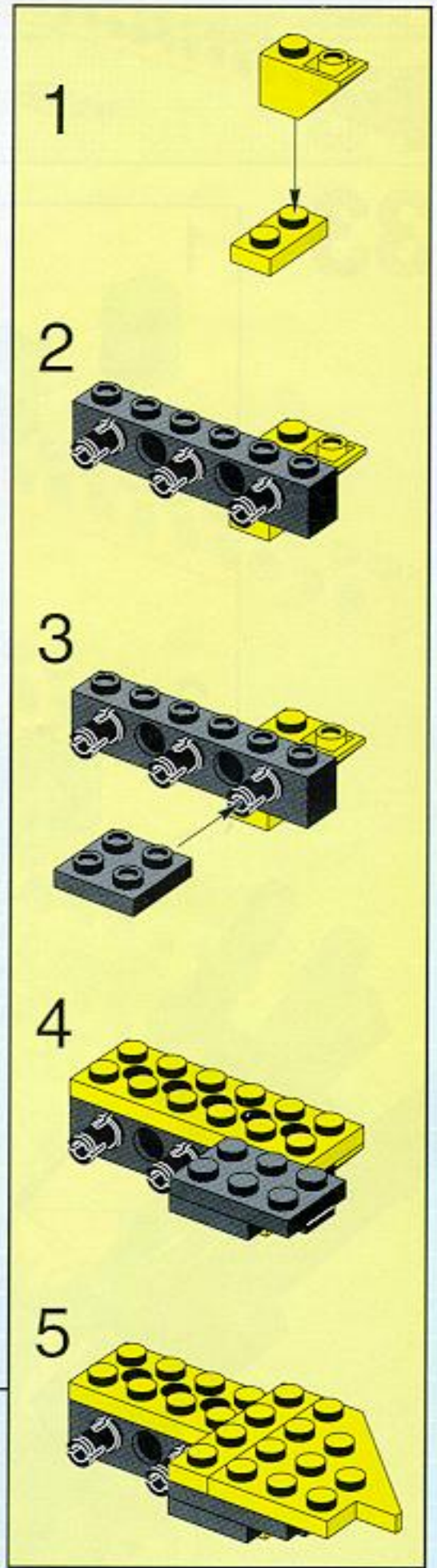
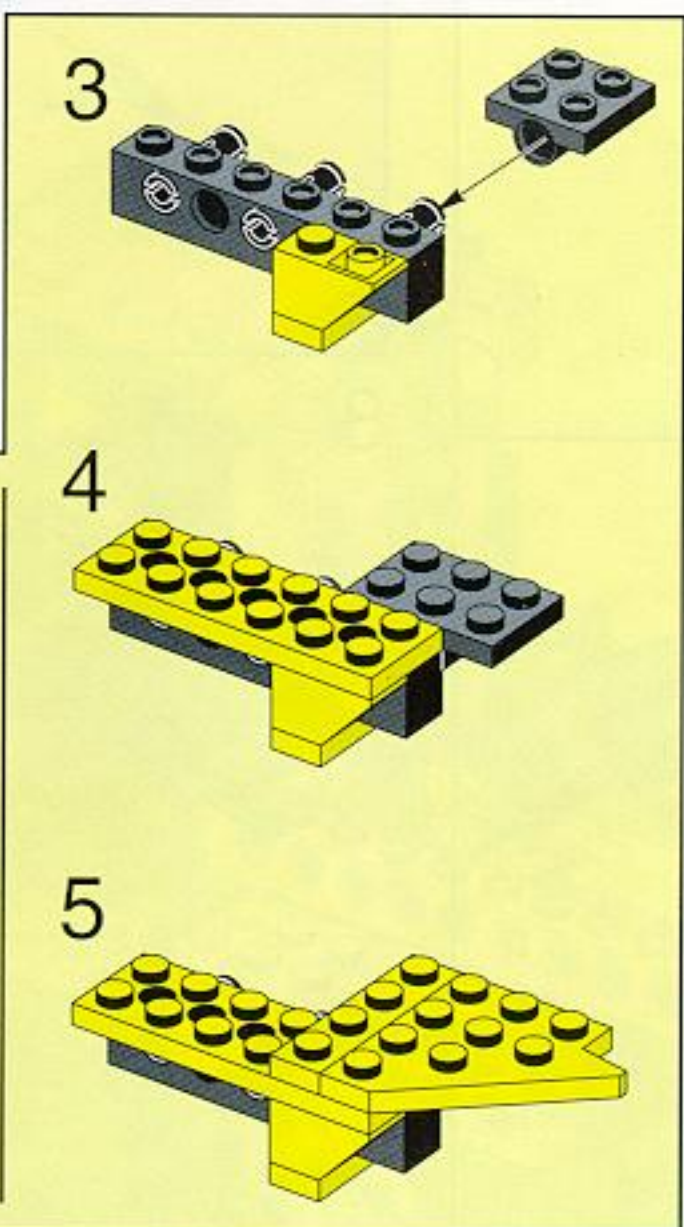
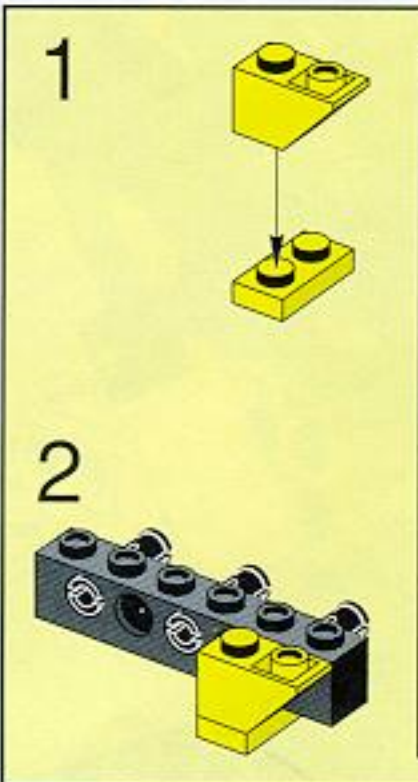


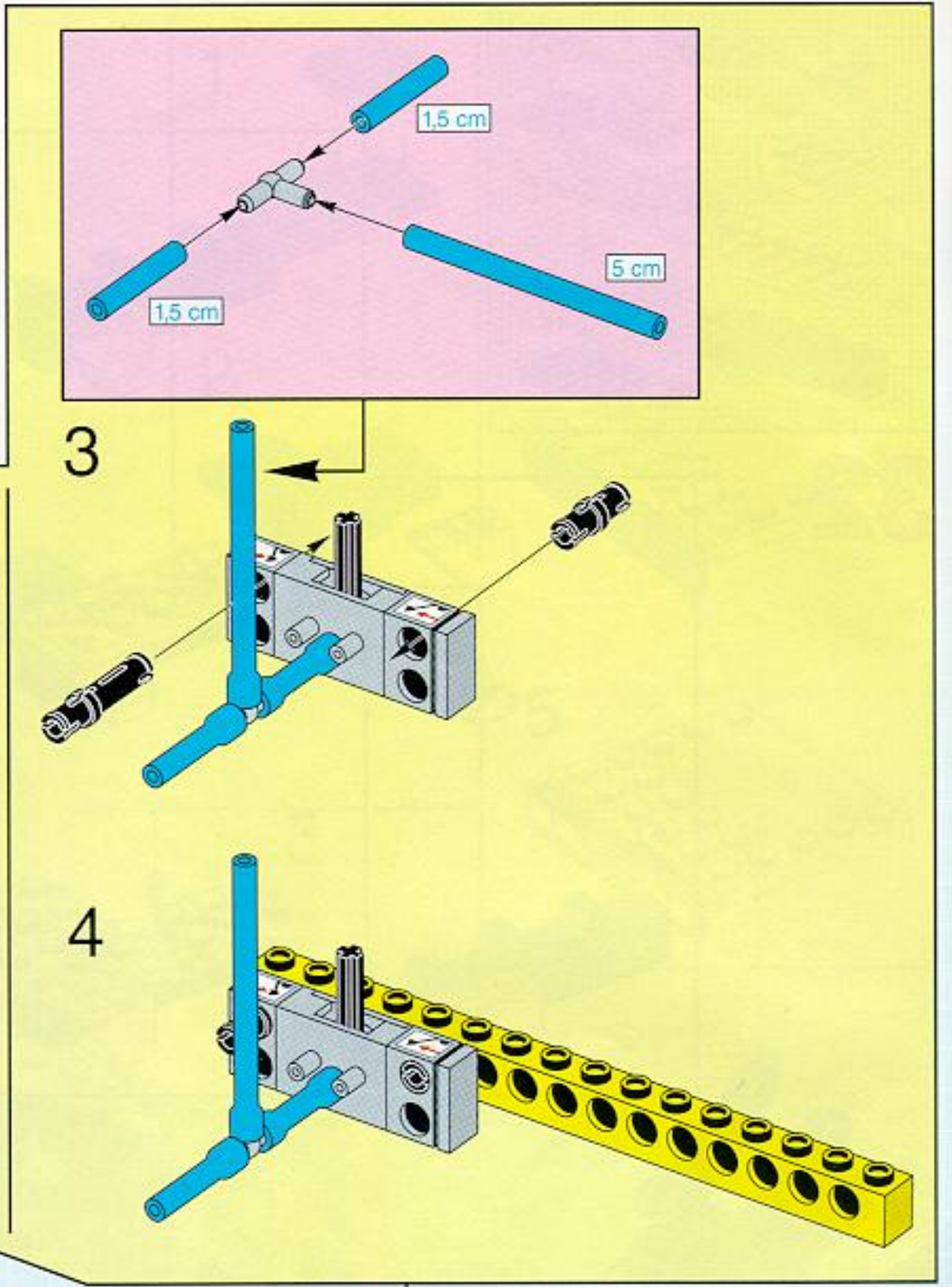
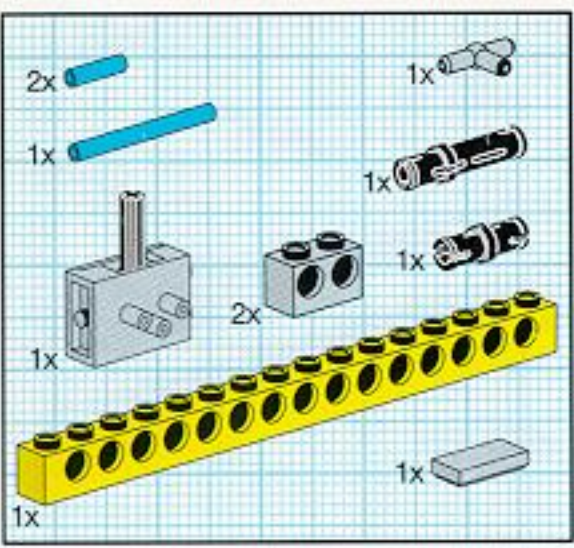
31



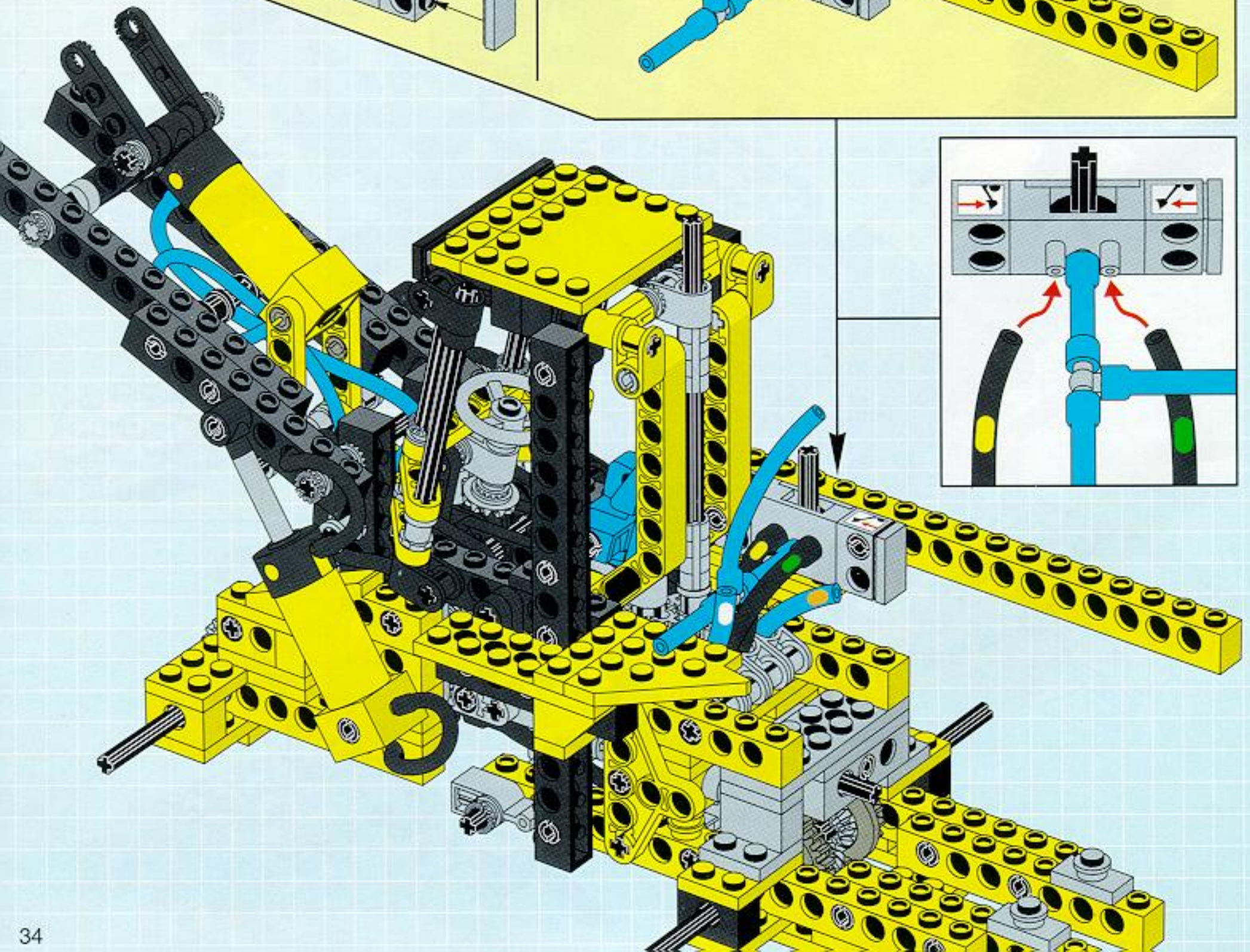
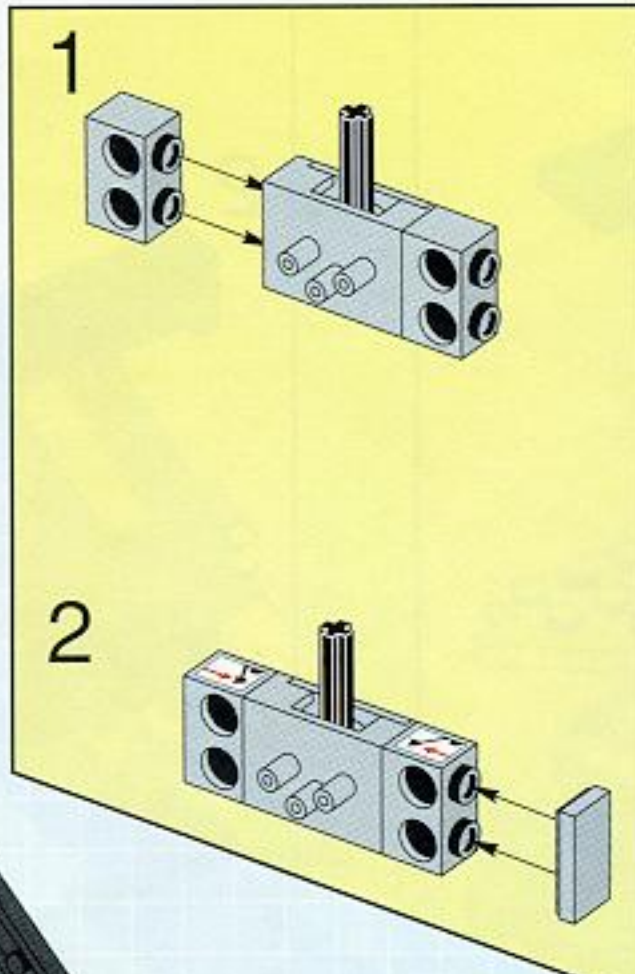


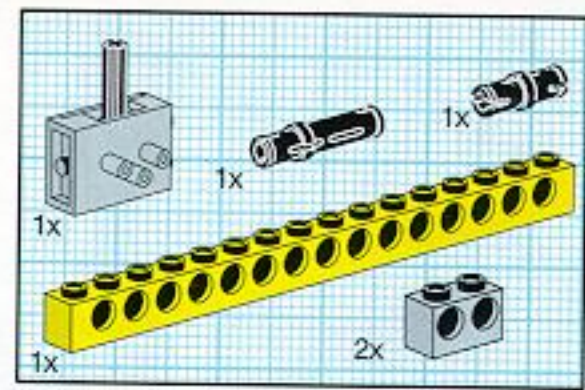
32



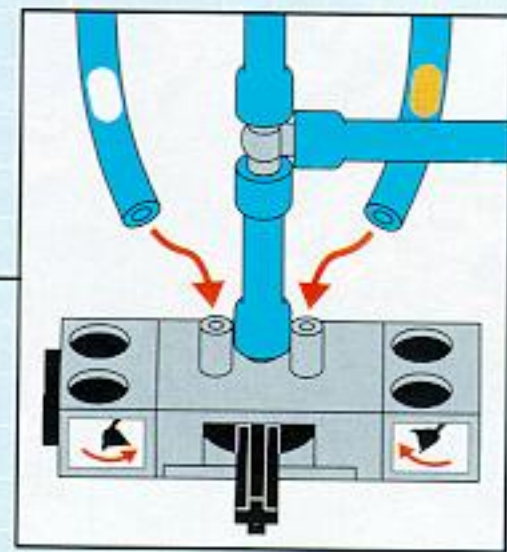
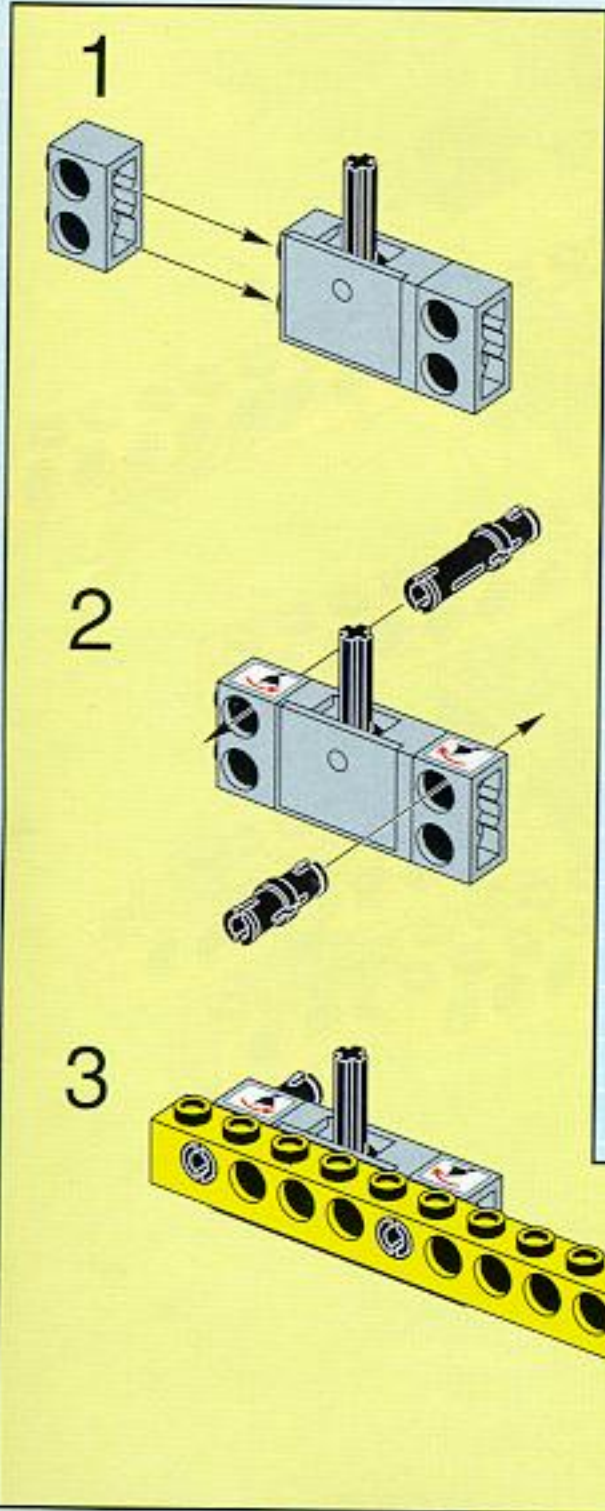
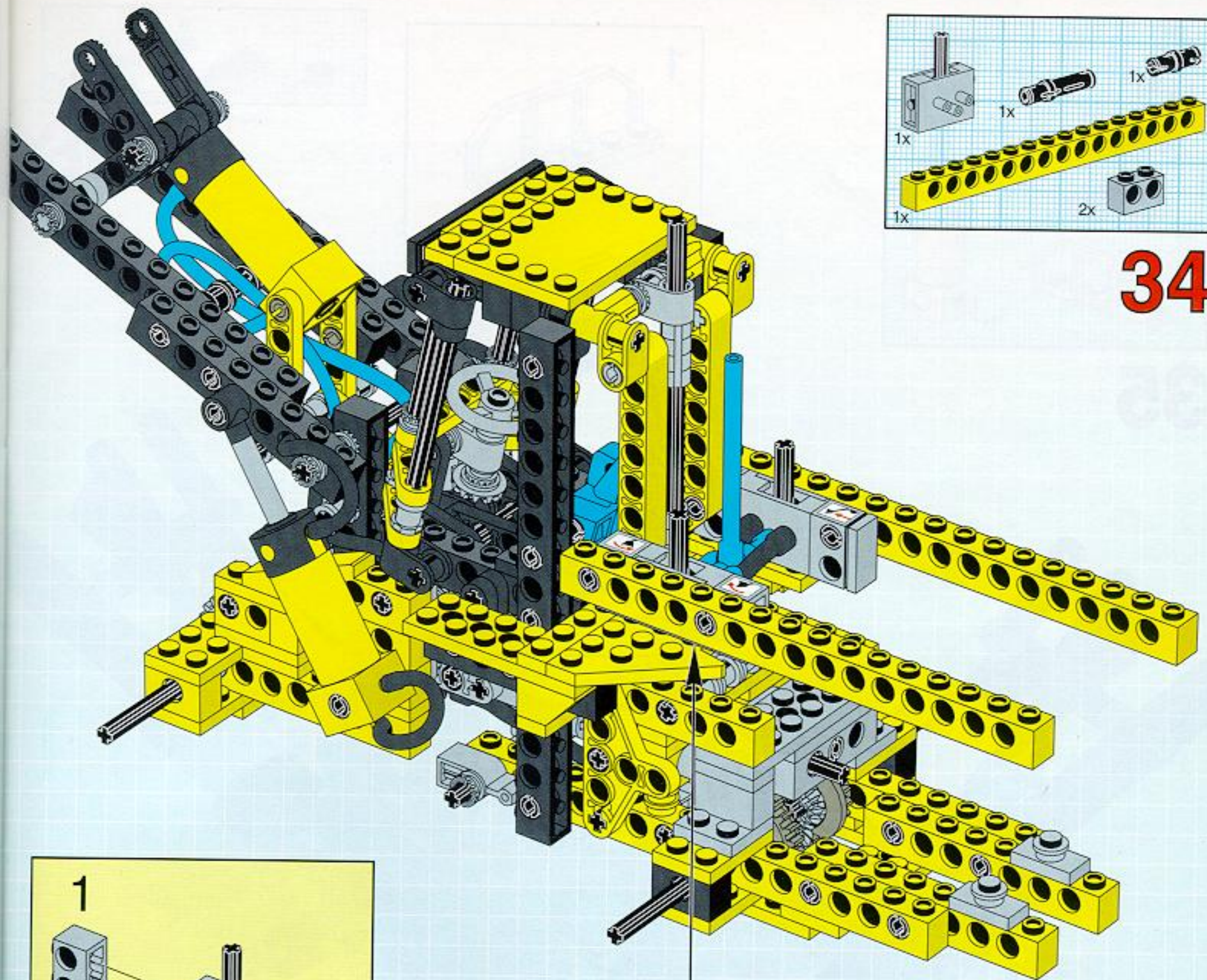


33



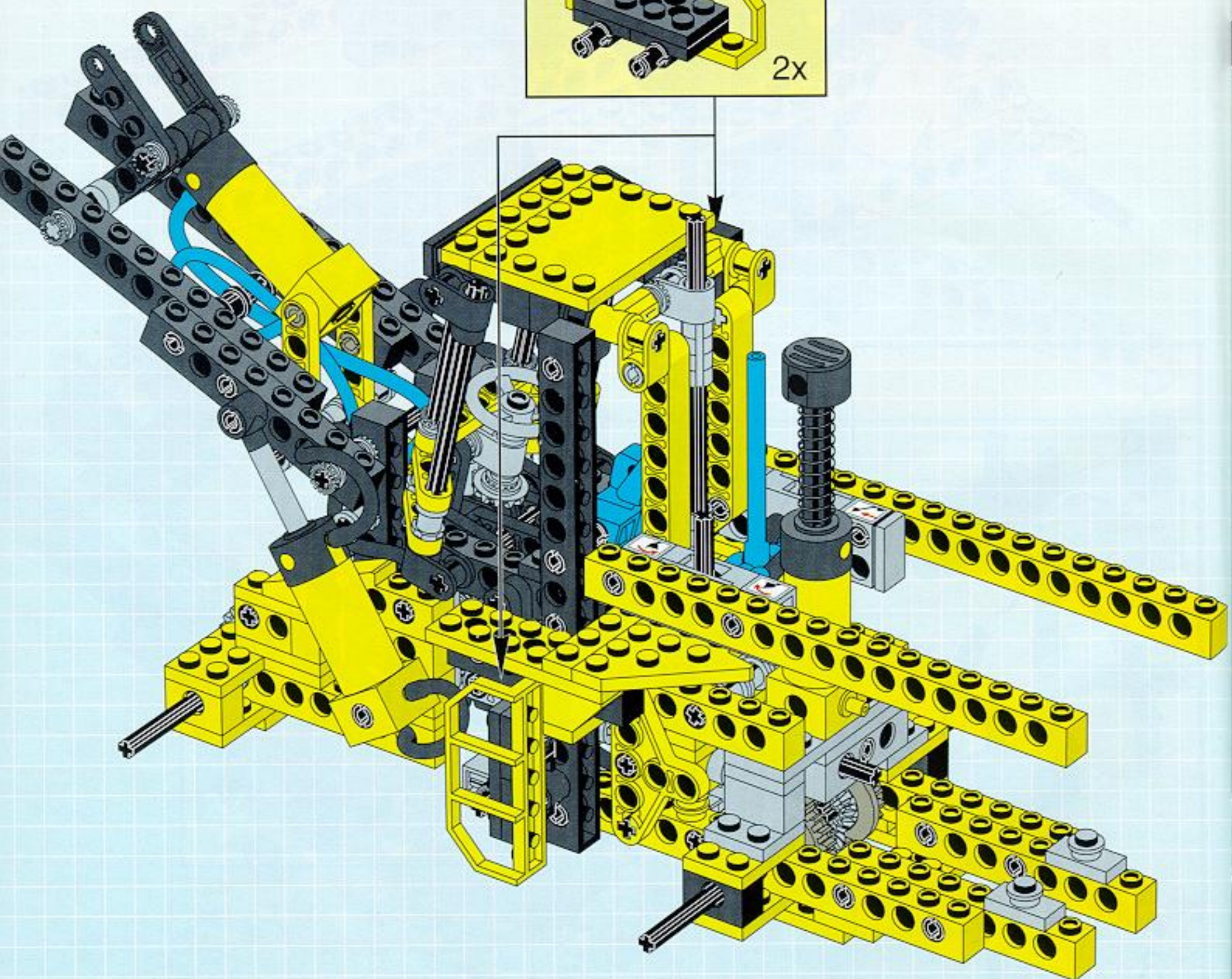
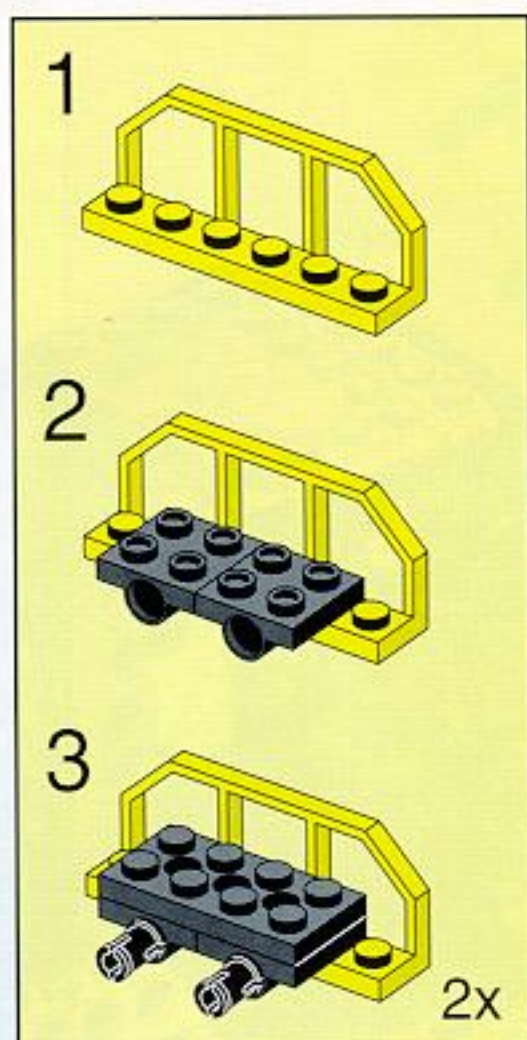


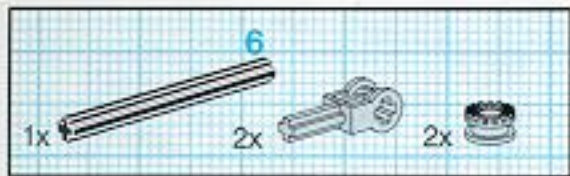
34



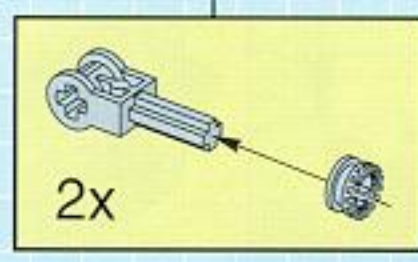
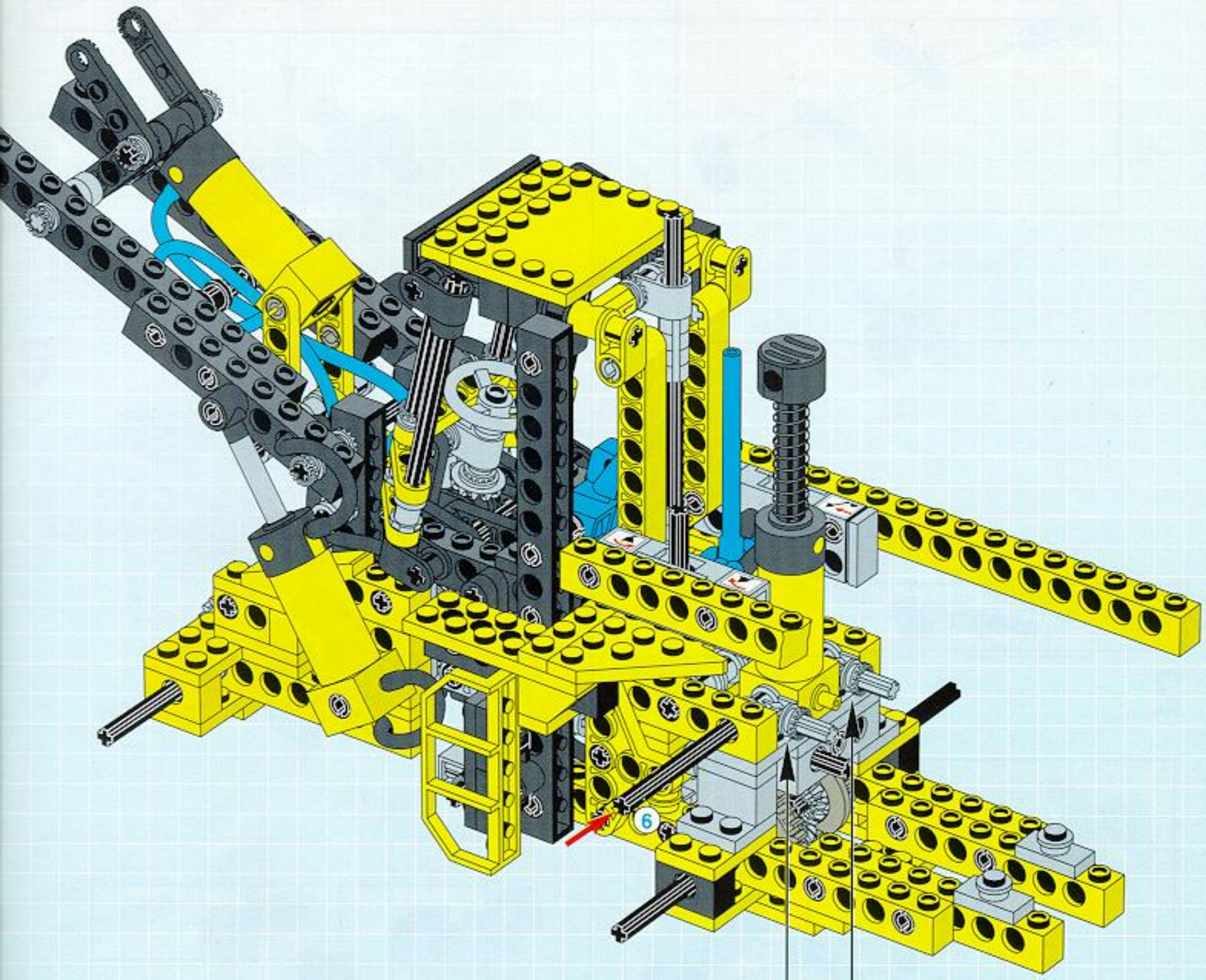


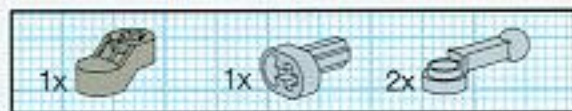
35



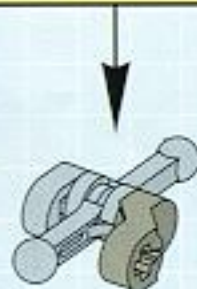
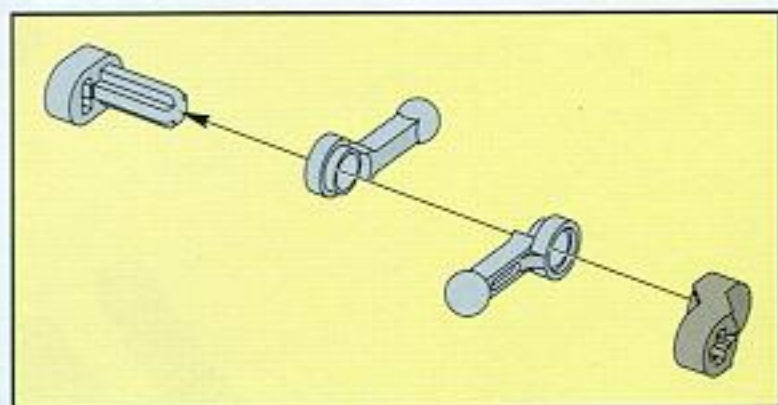


36

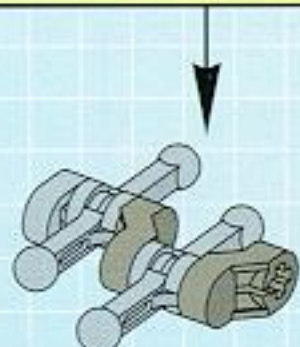
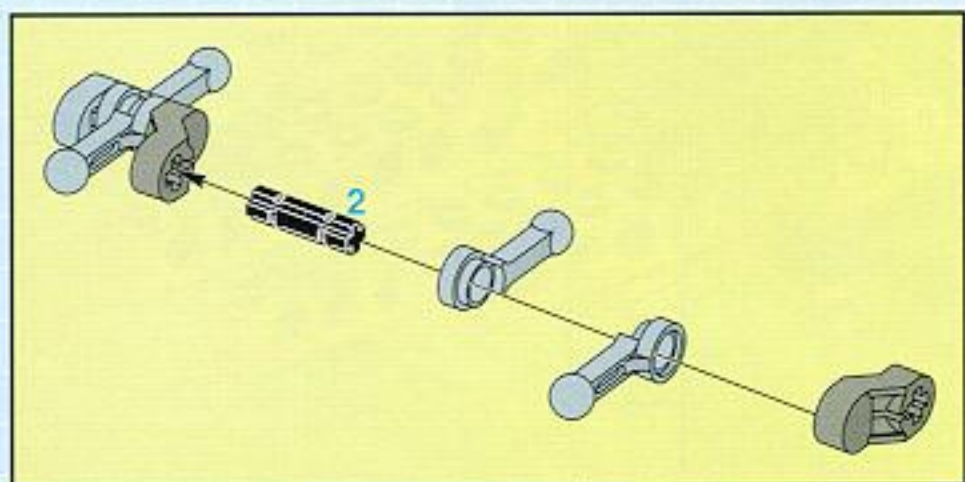




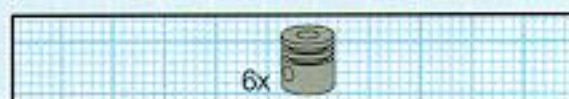
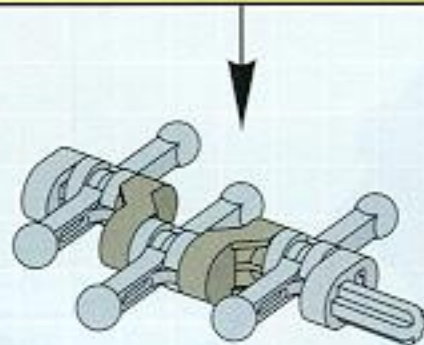
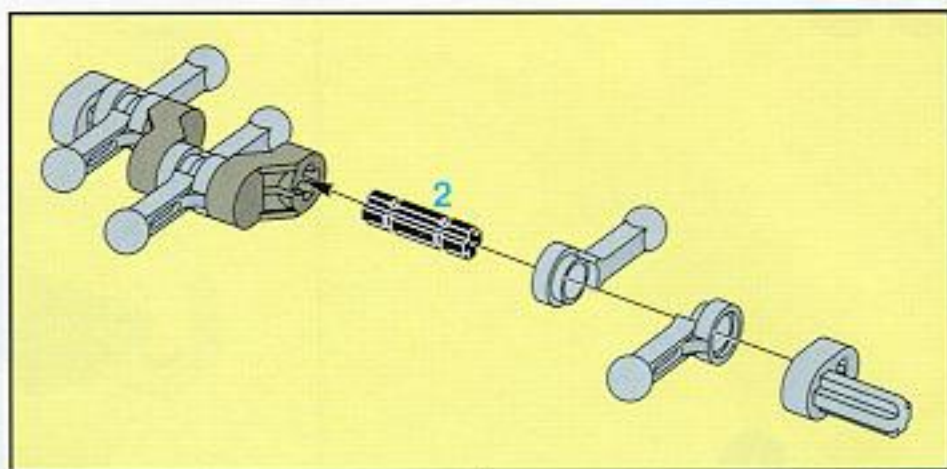
1



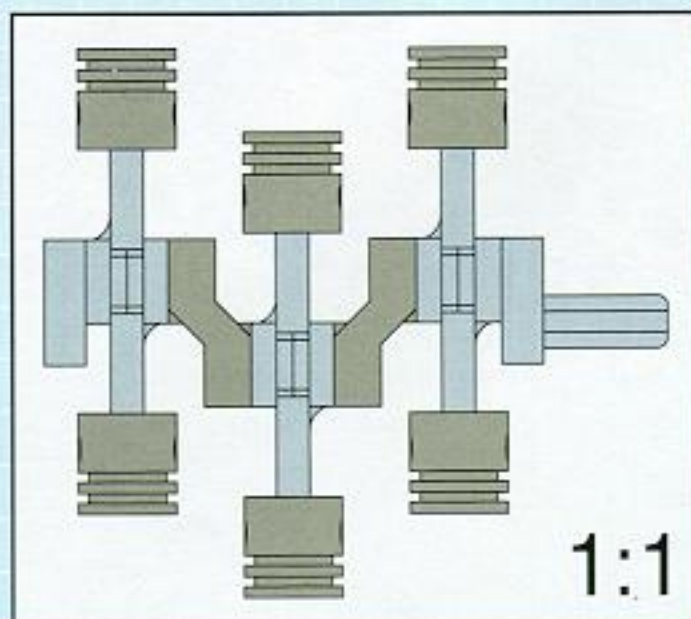
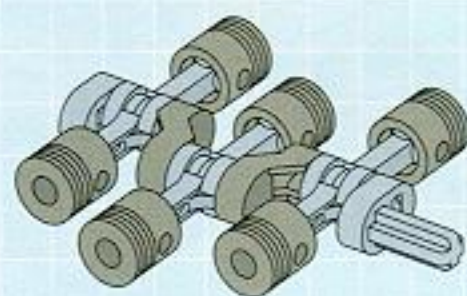
2

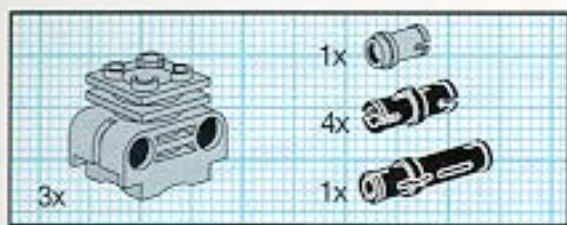


3

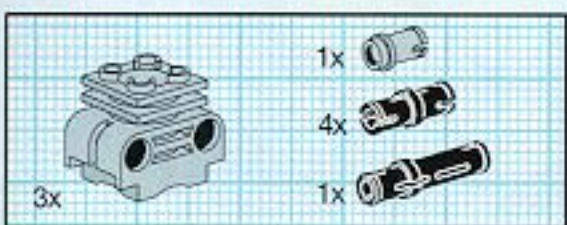
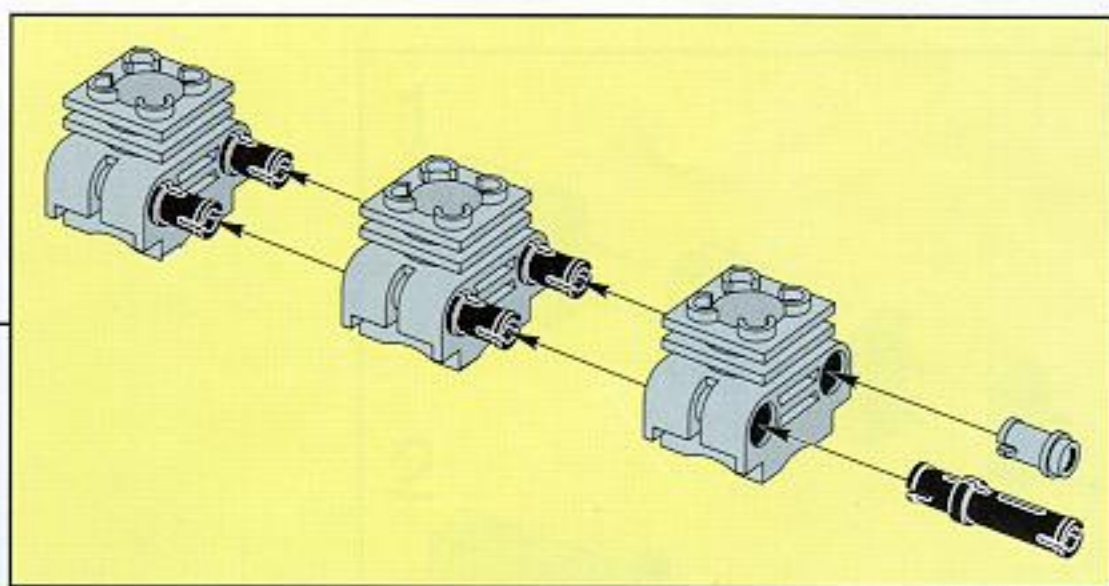
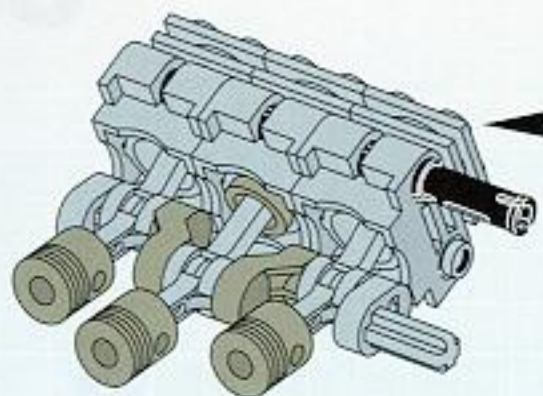


4

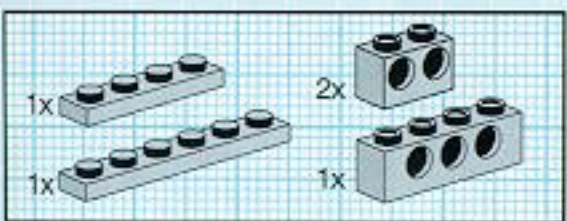
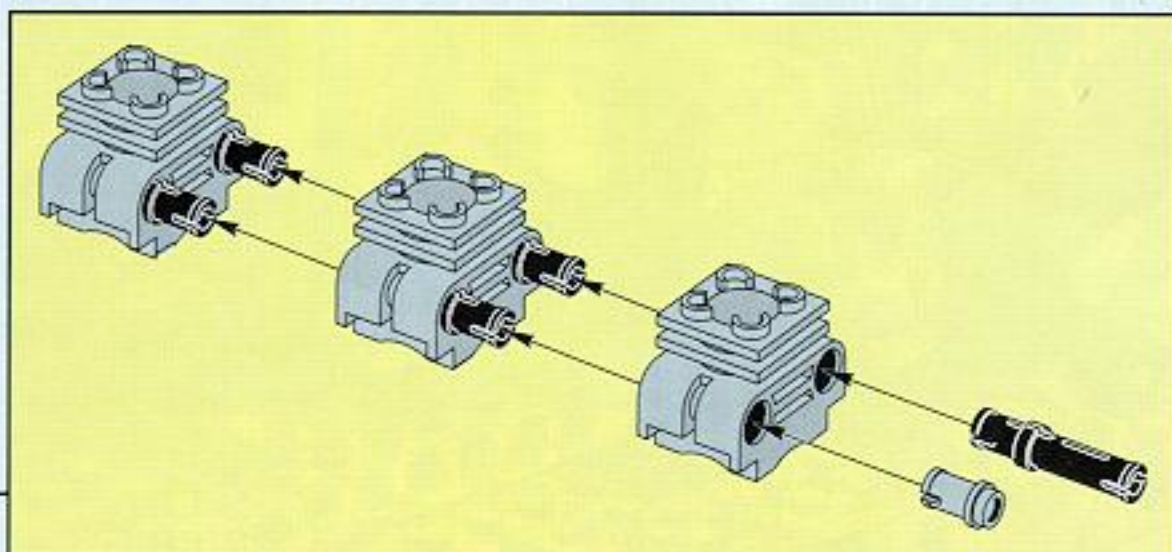
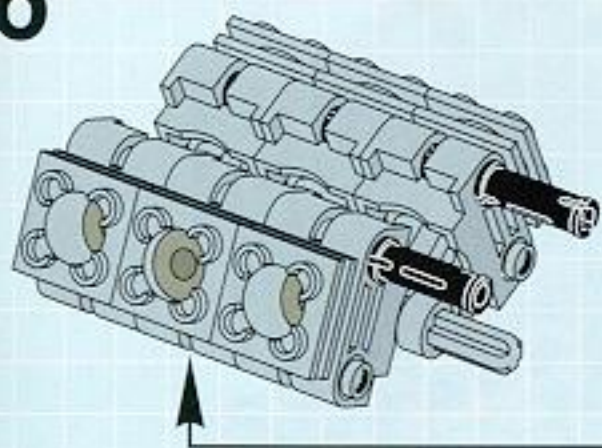




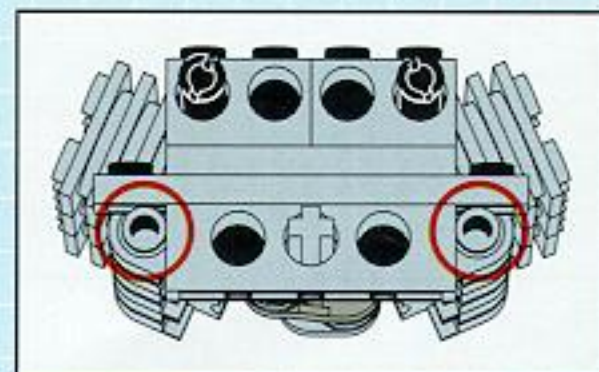
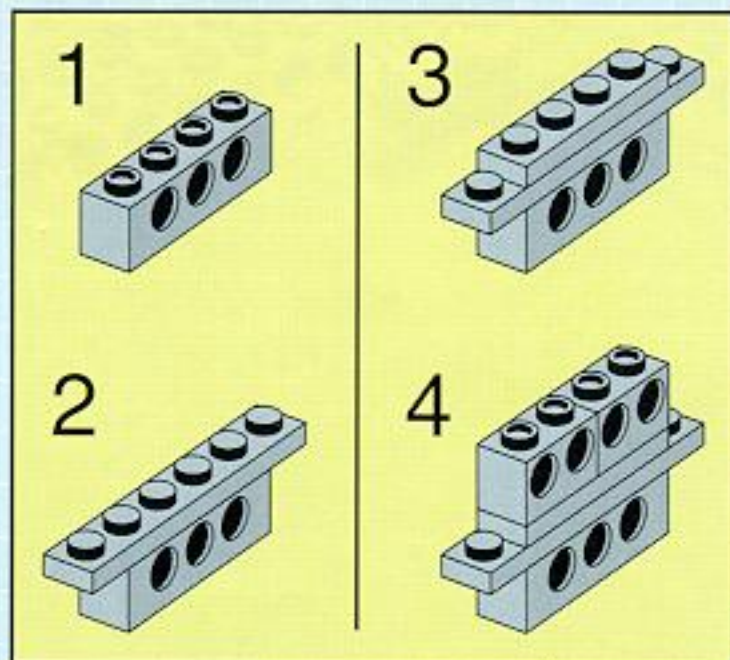
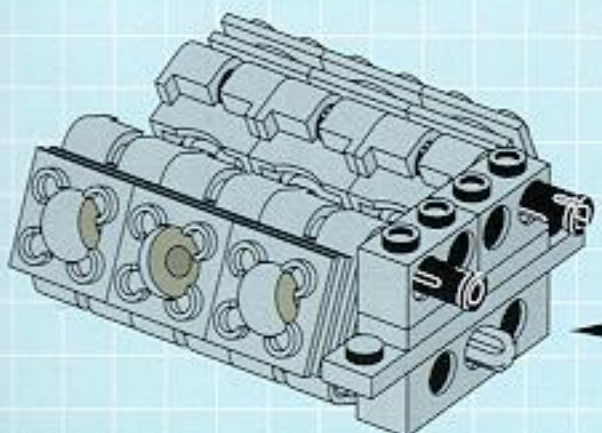
5



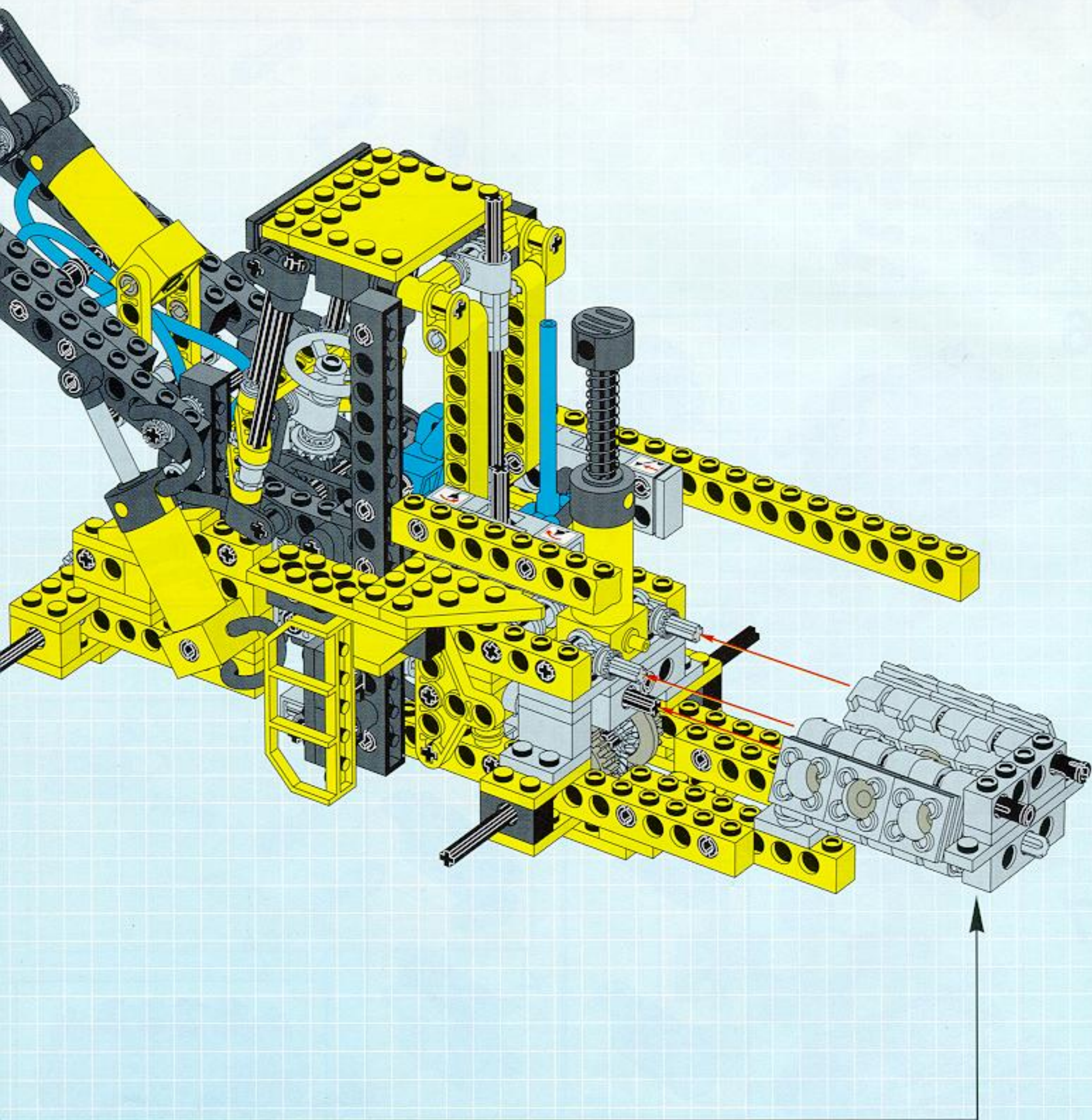
6

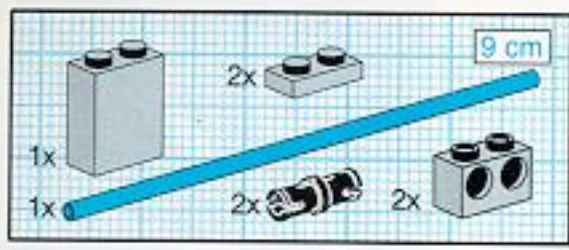


7

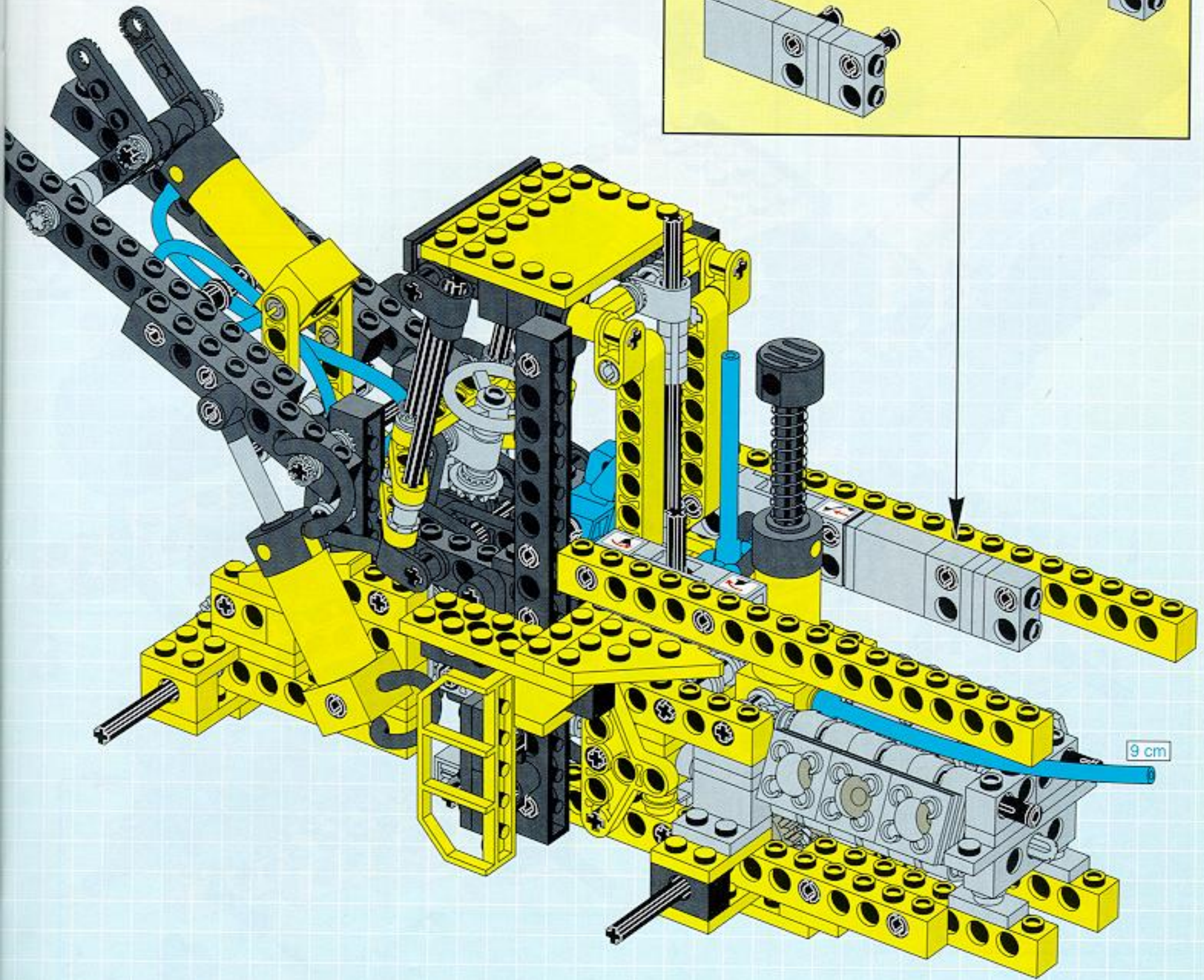
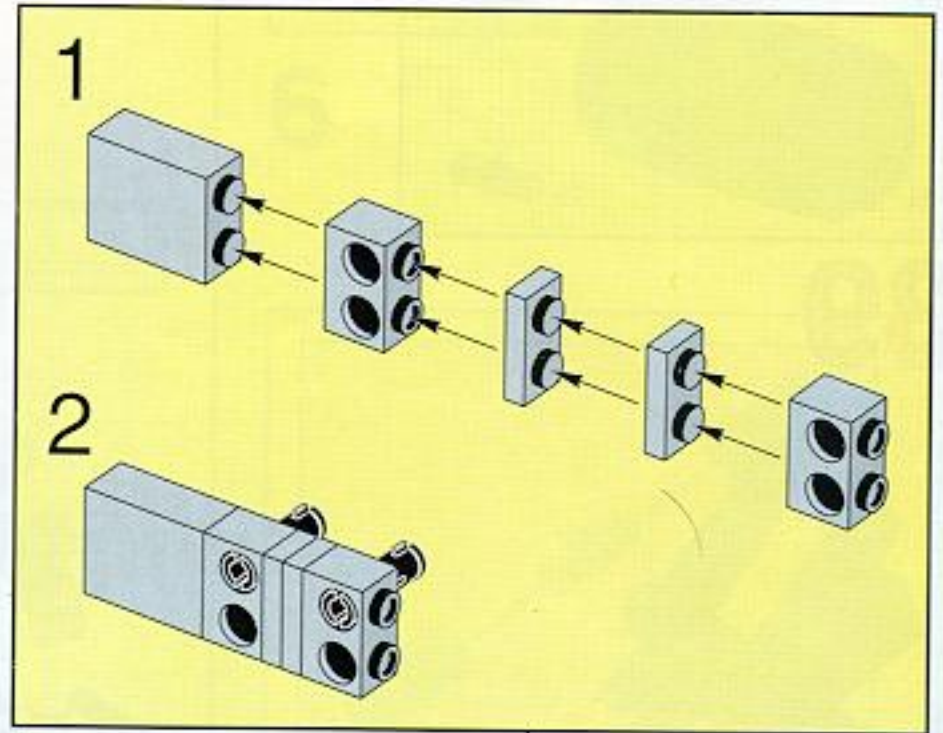


37



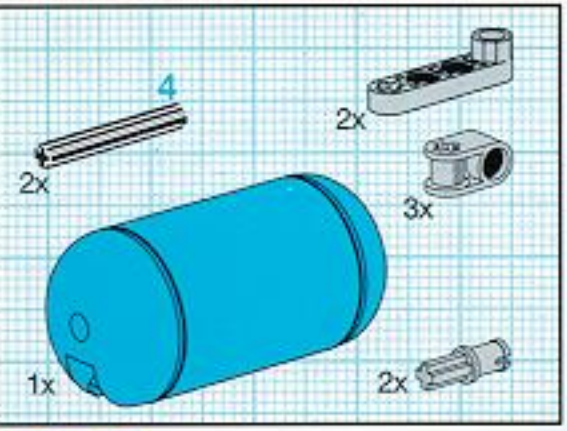


38

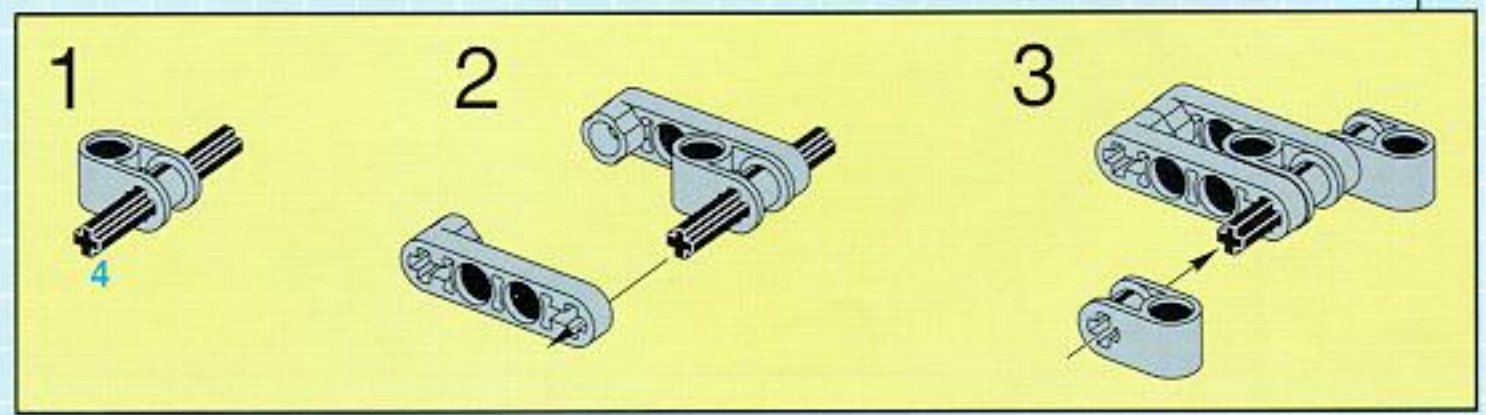
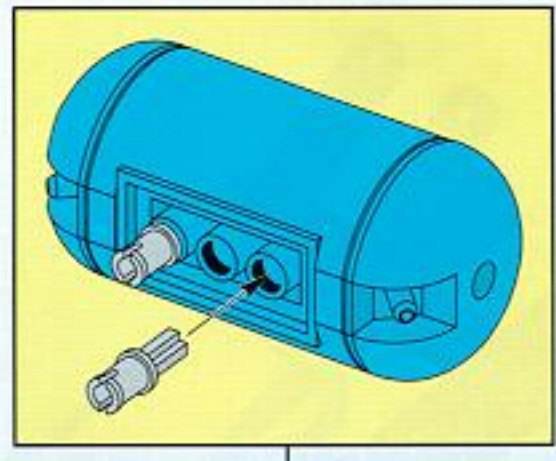
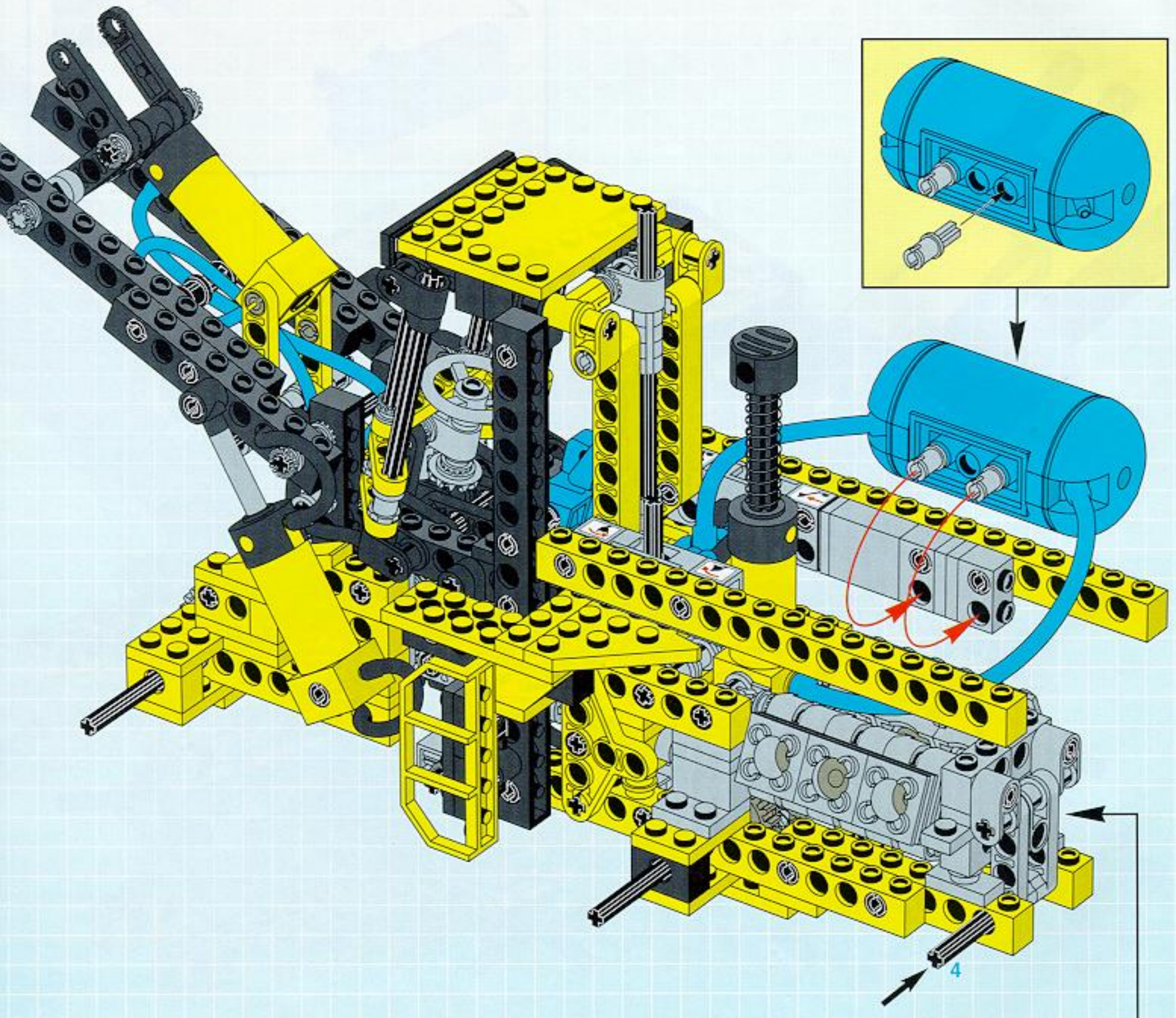


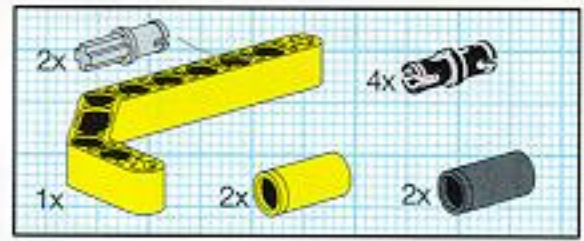
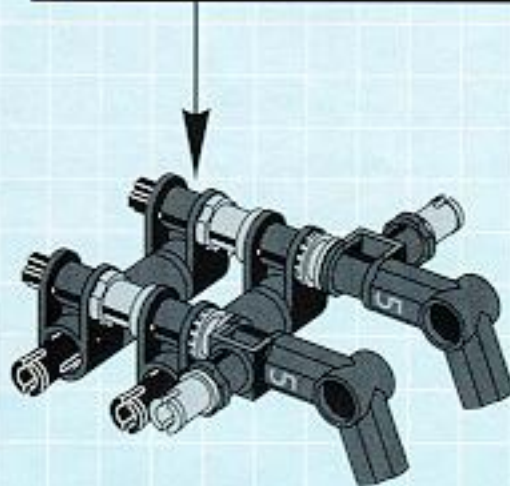
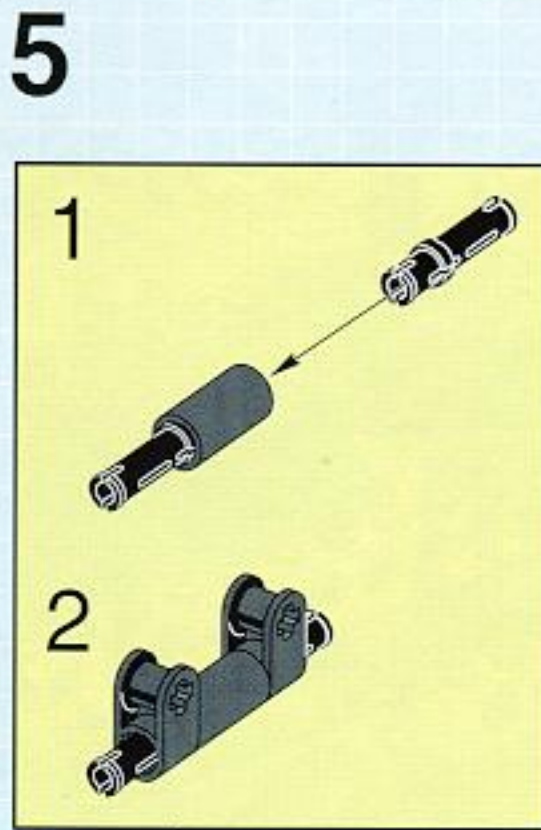
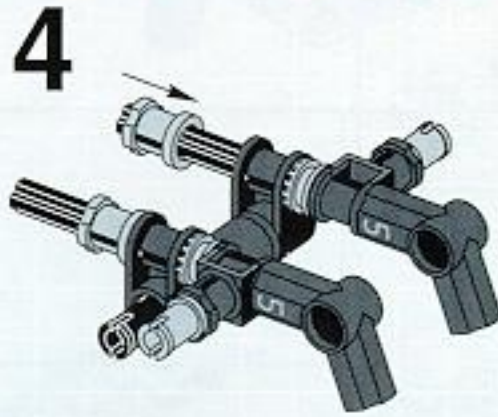
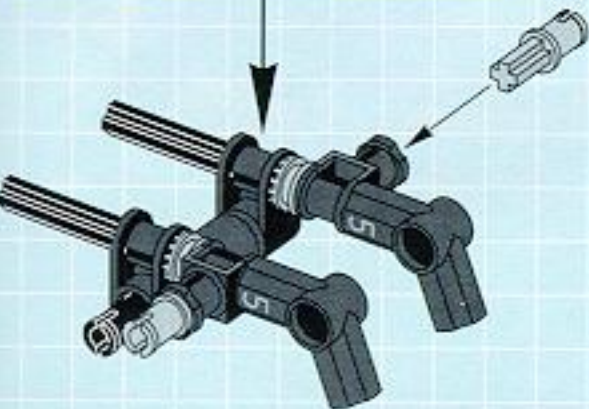
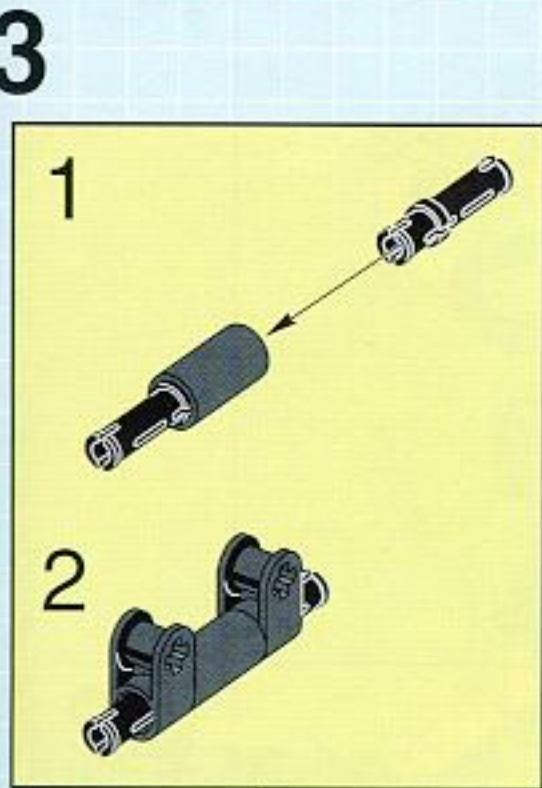
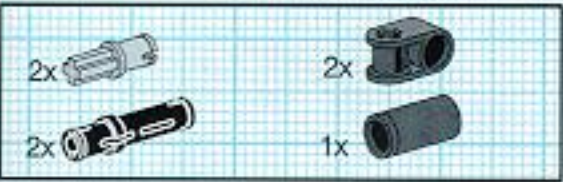
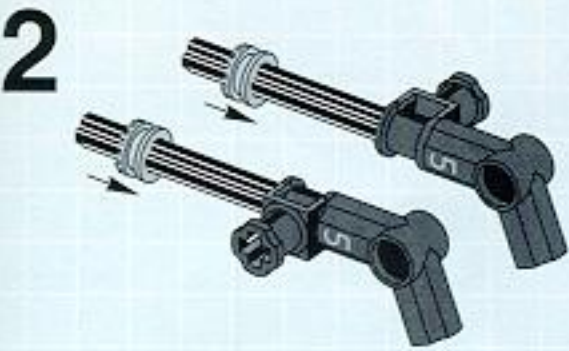
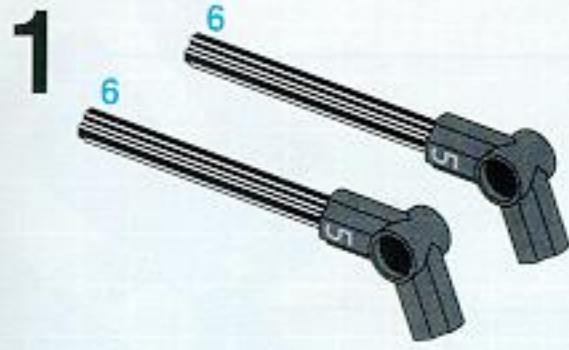
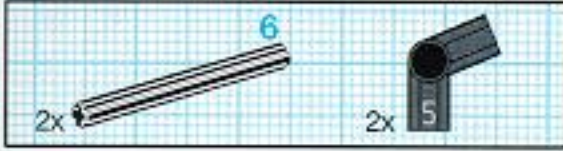


88

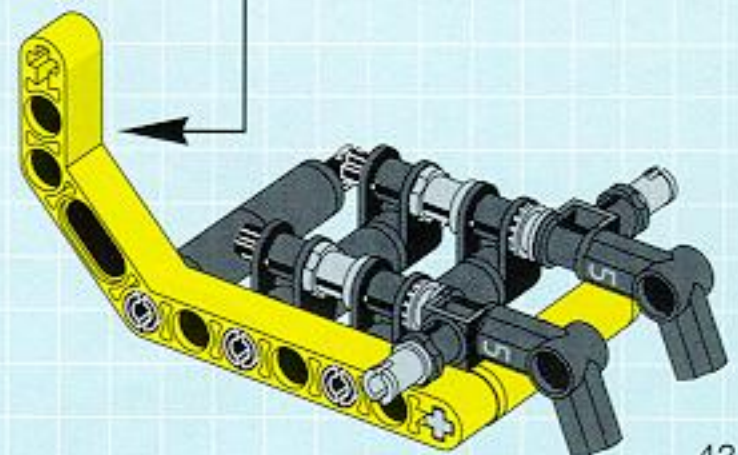
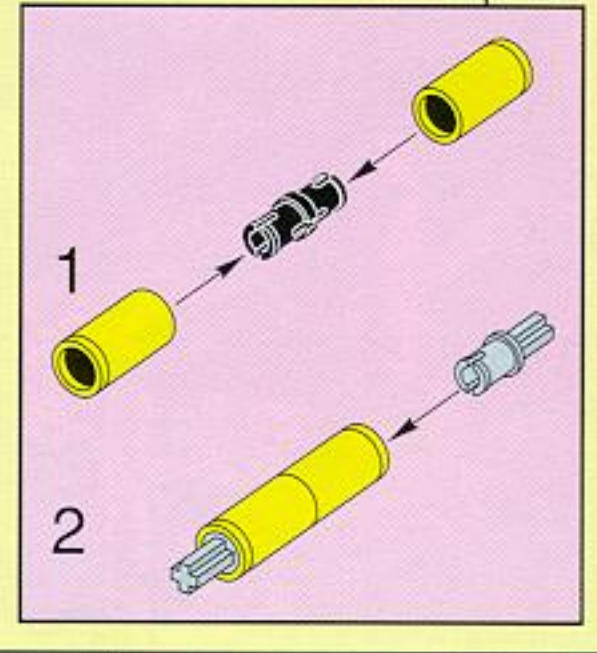
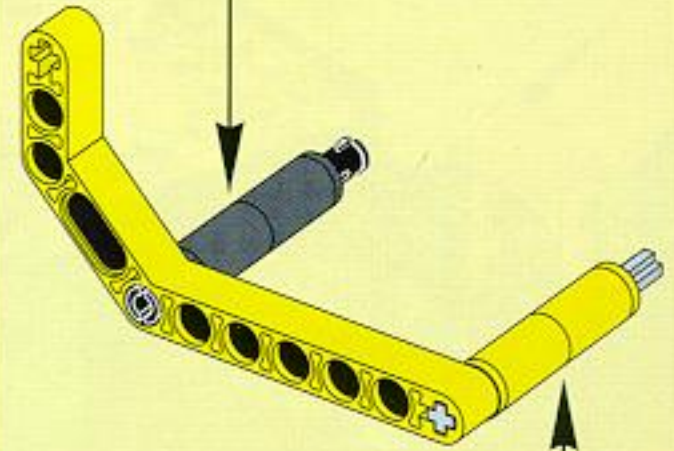
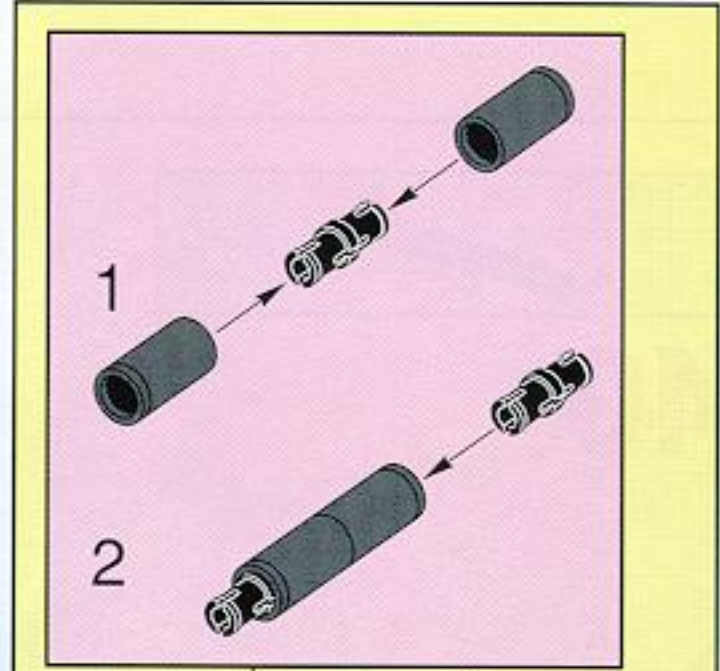


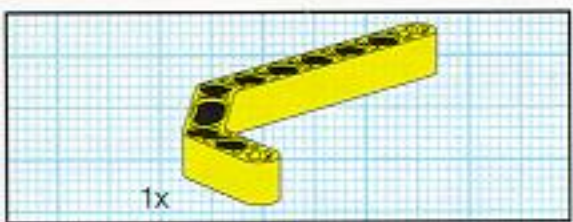
39



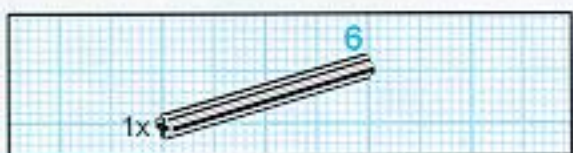
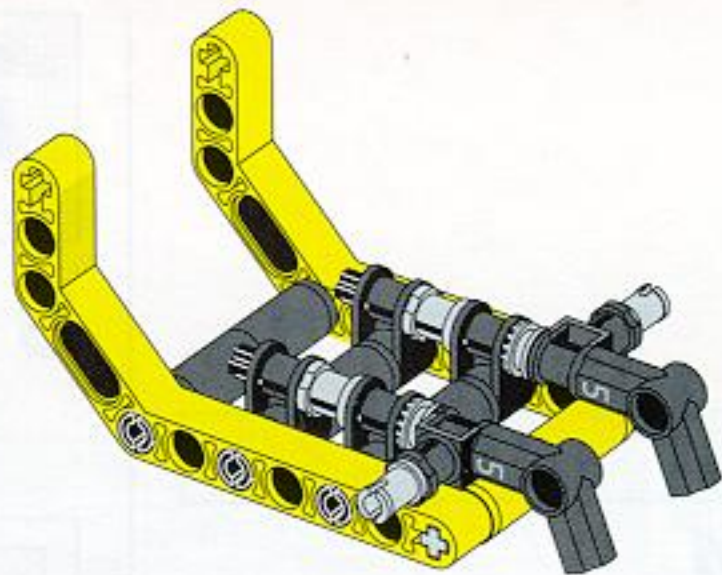


6

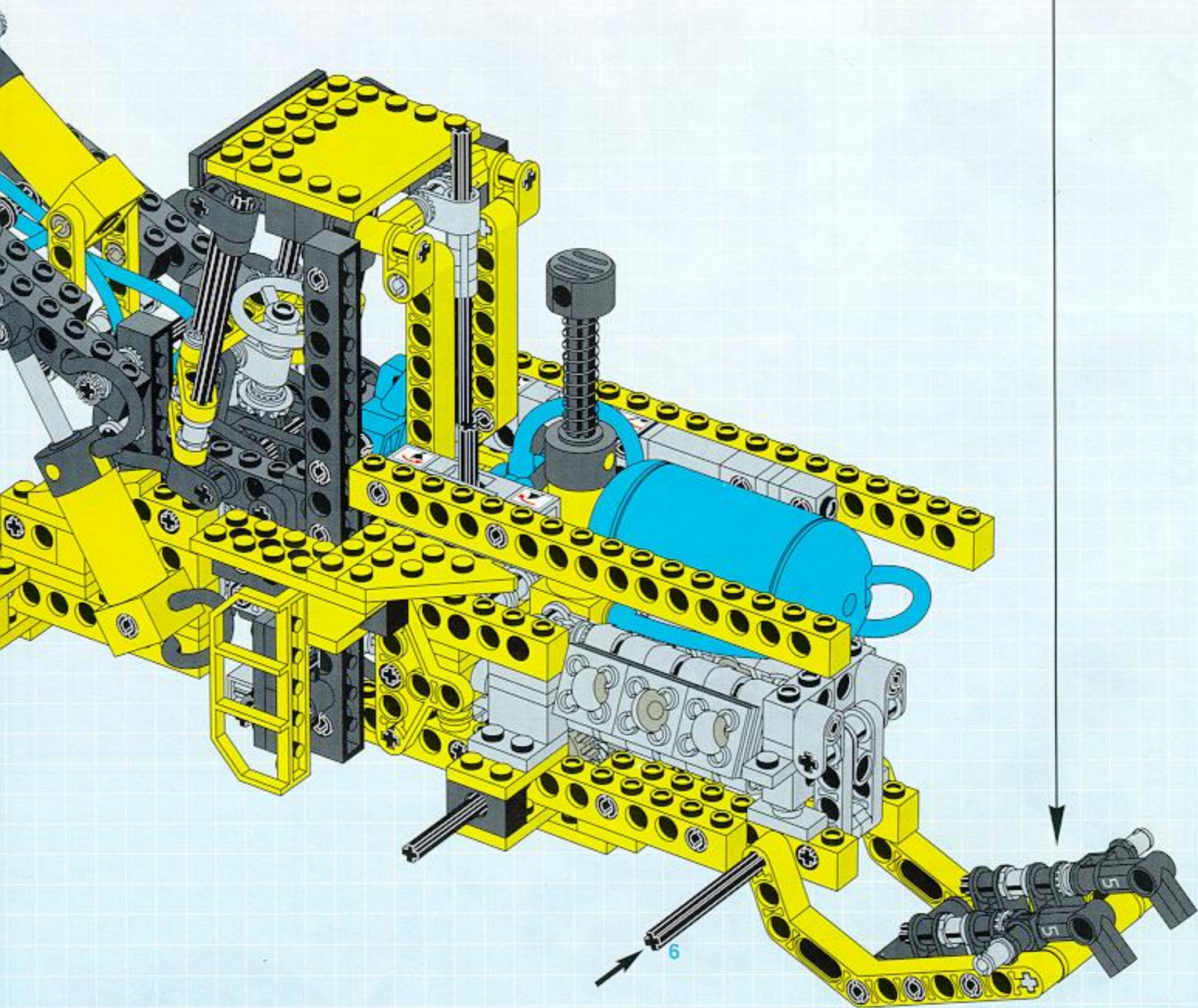


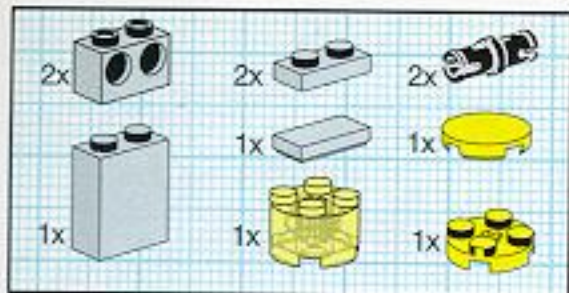


7

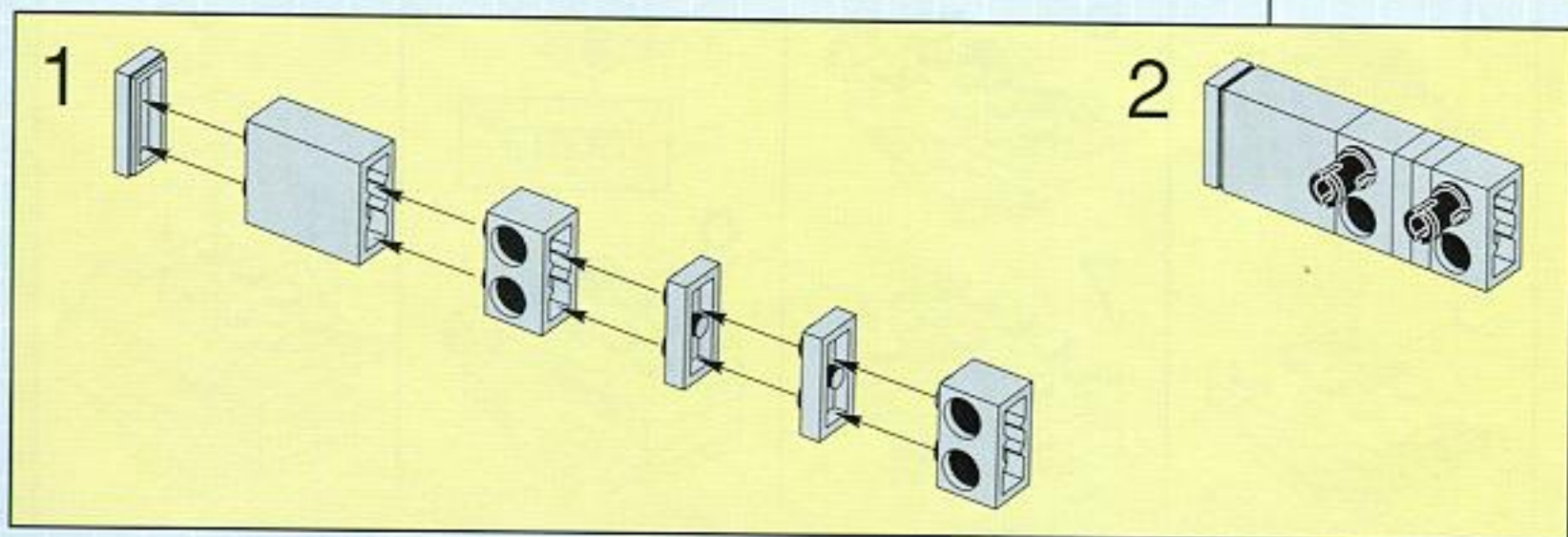
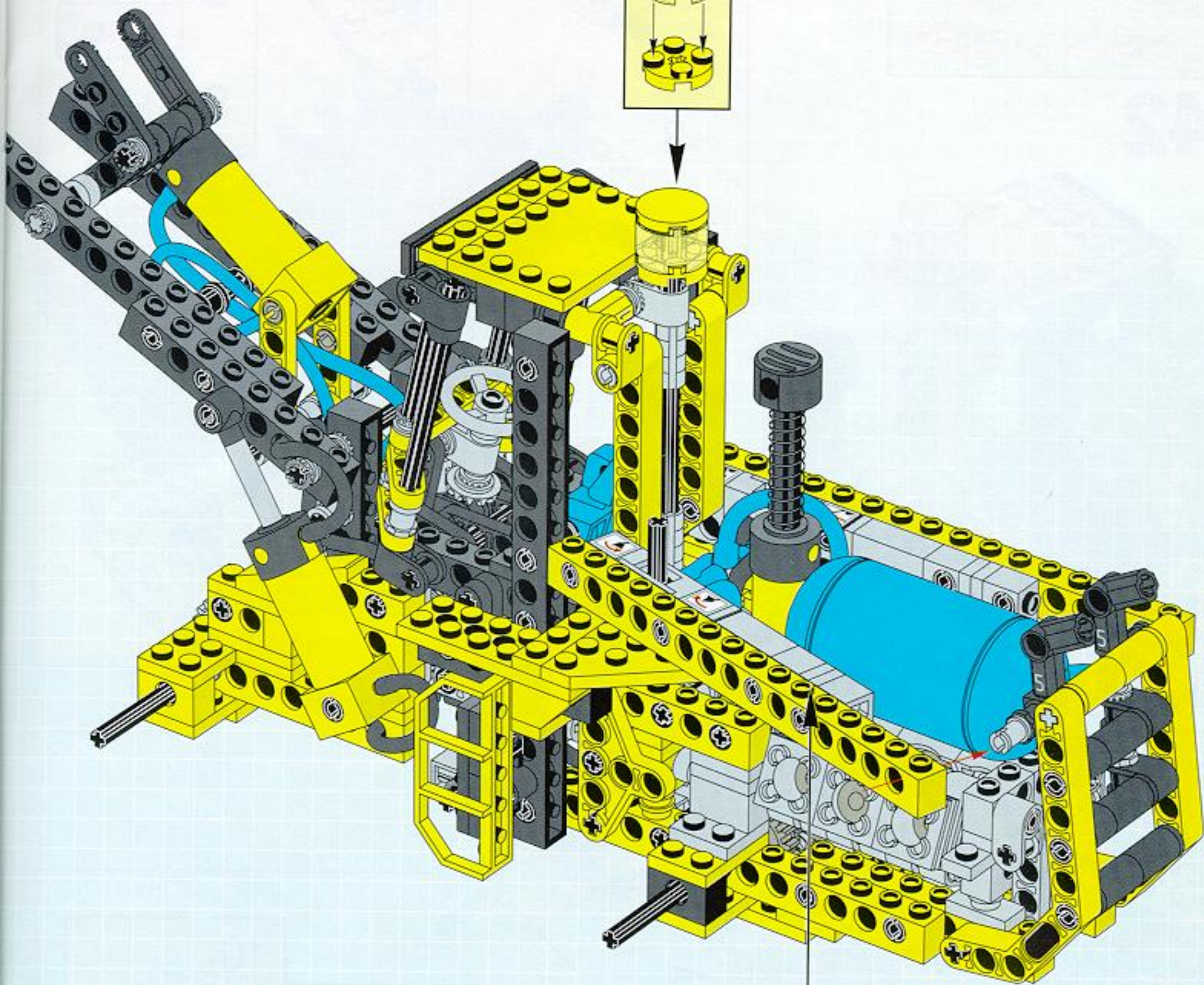
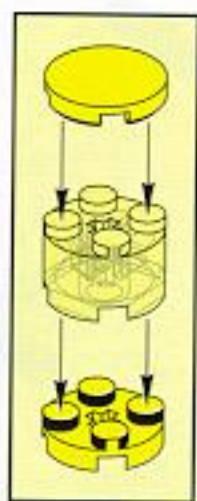


40



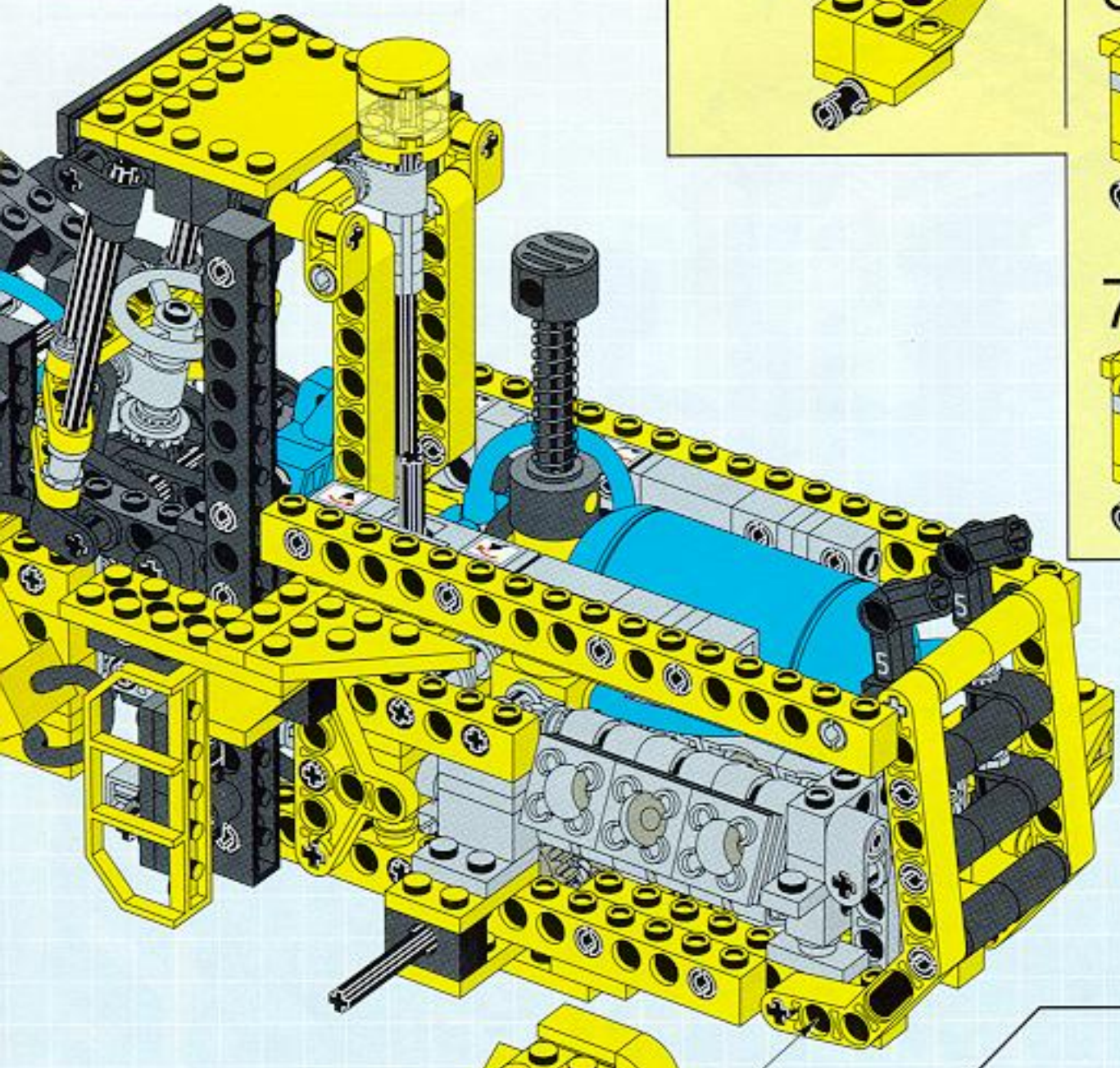


41



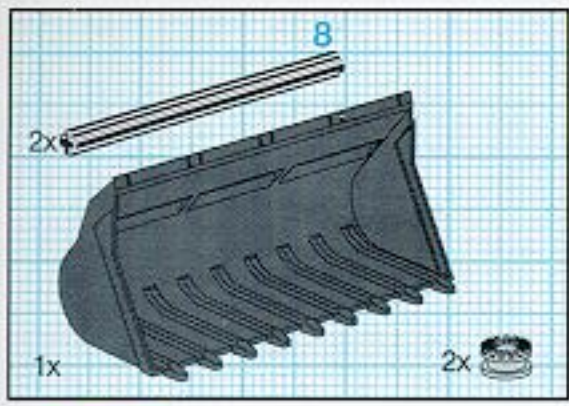
- 2x
- 2x
- 2x
- 2x
- 2x
- 2x
- 2x
- 2x
- 2x
- 2x
- 2x
- 2x
- 2x
- 2x
- 2x
- 2x
- 4x
- 2x
- 2x
- 2x
- 2x

42

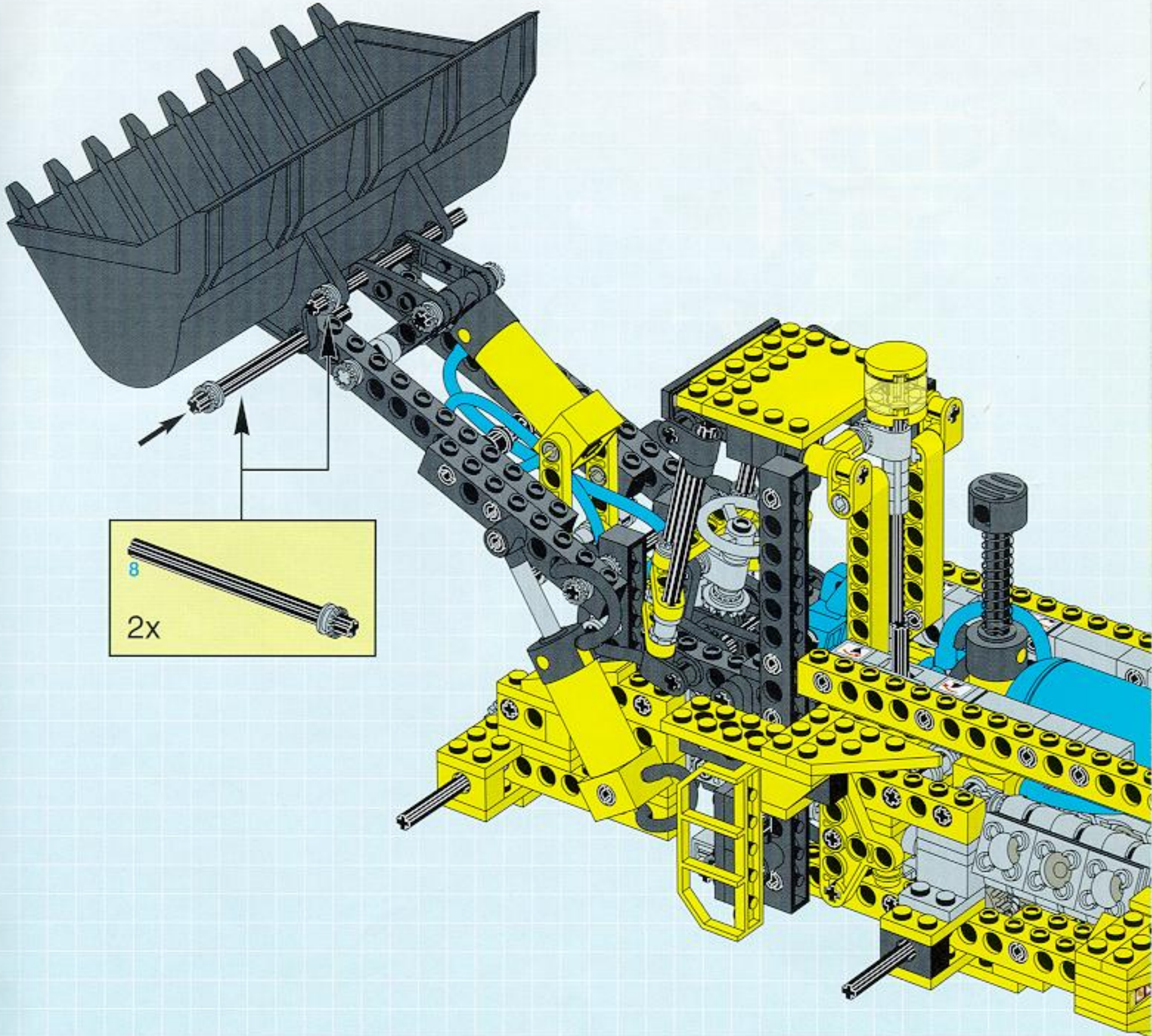


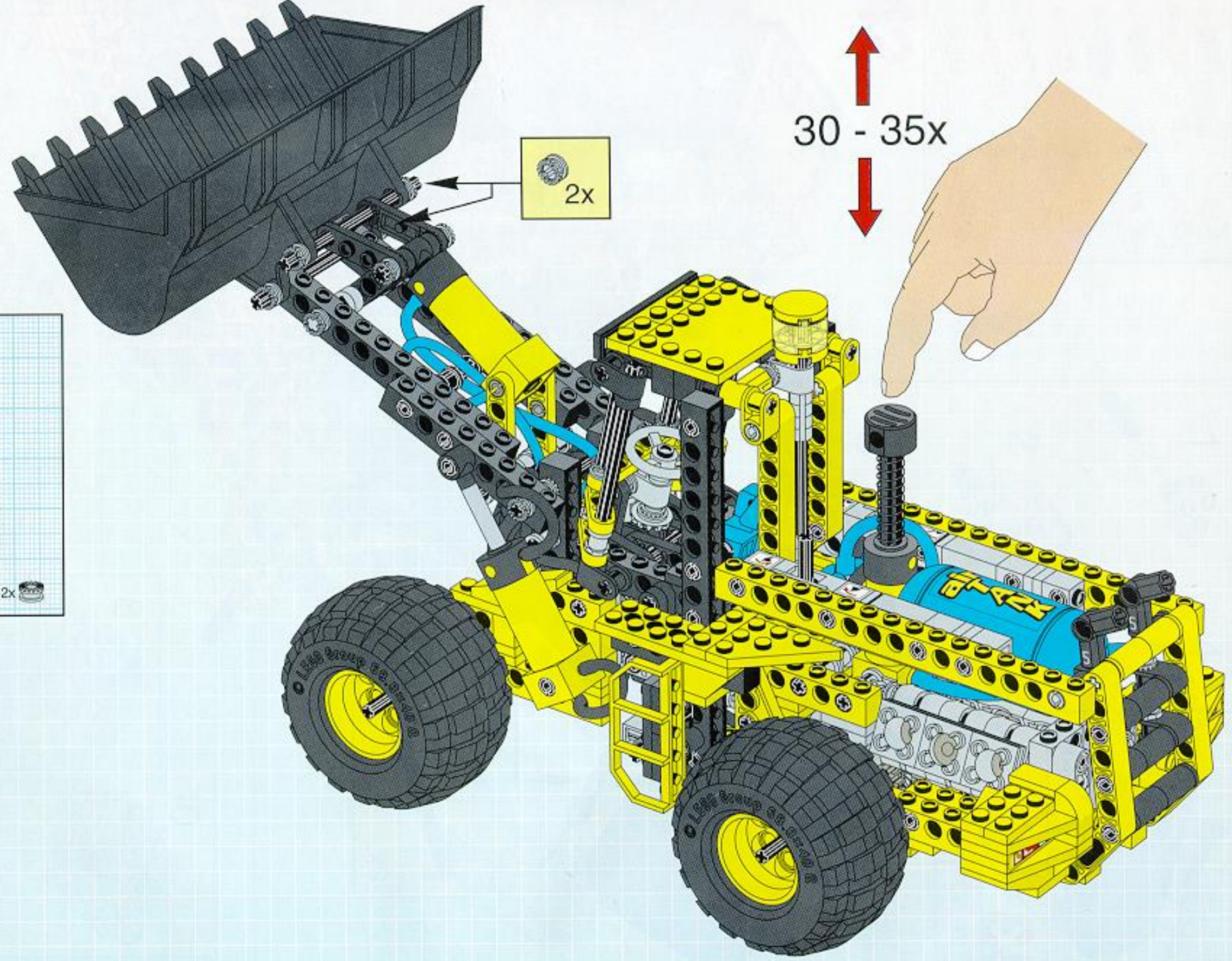
- 1
- 2
- 3
- 4
- 5
- 6
- 7
- 8
- 9
- 10

- 1
- 2
- 3
- 4
- 5
- 6
- 7
- 8
- 9
- 10
- 11



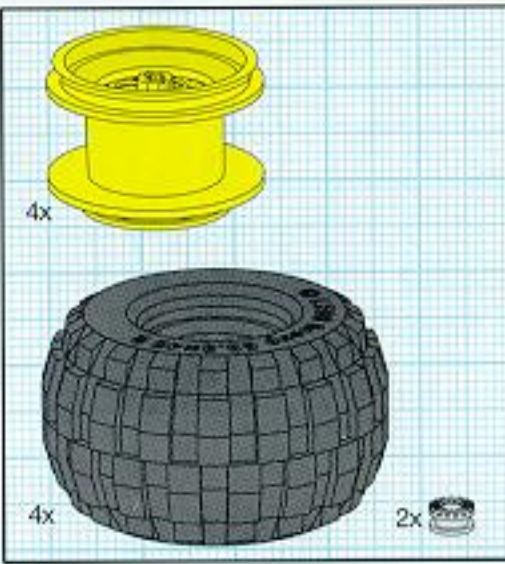
43





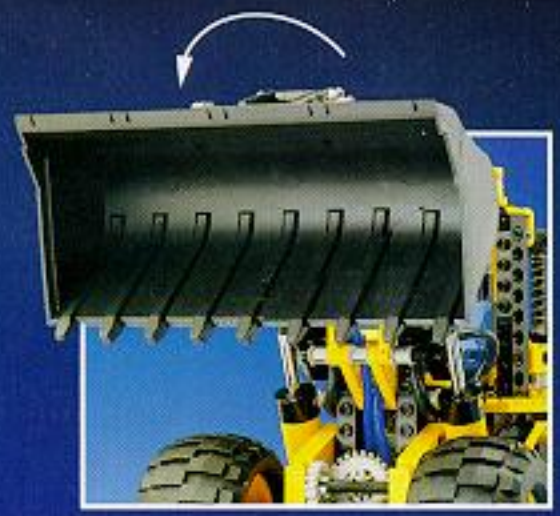
30 - 35x

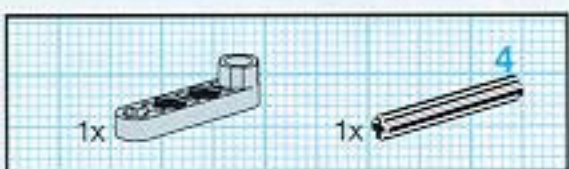
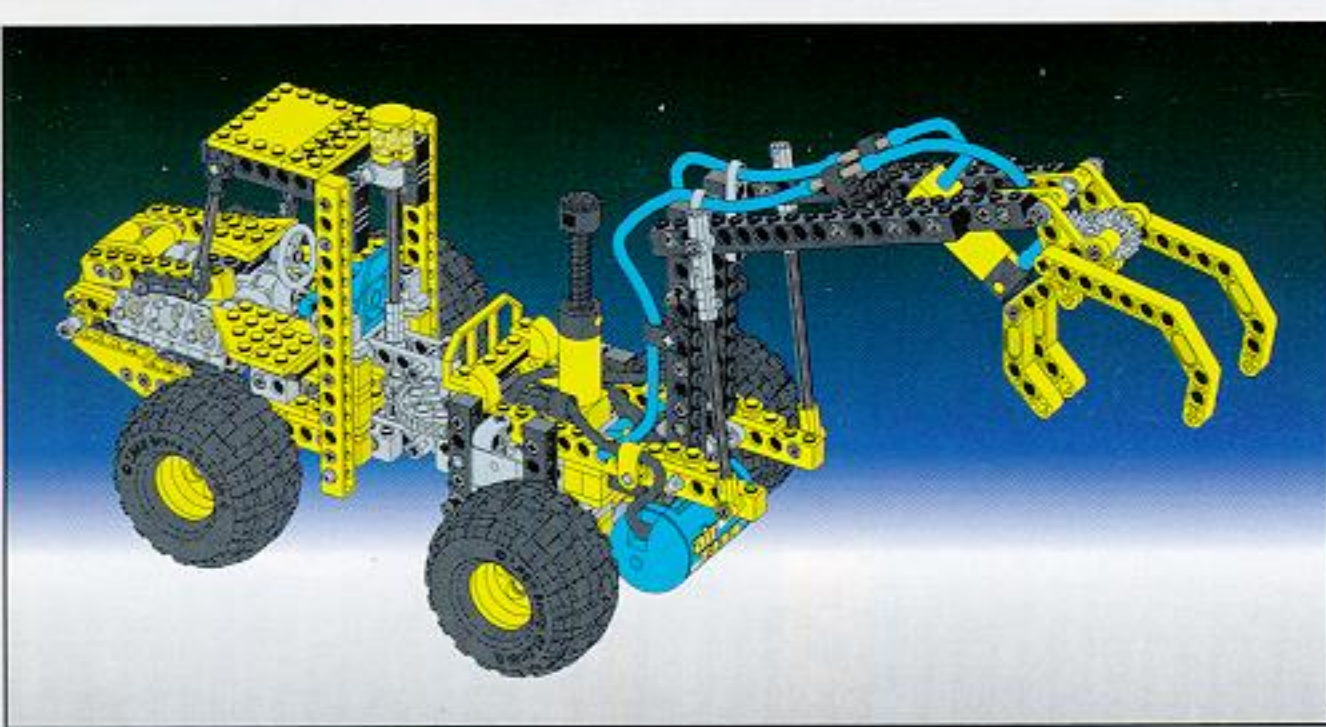
2x



44

Pneumatic

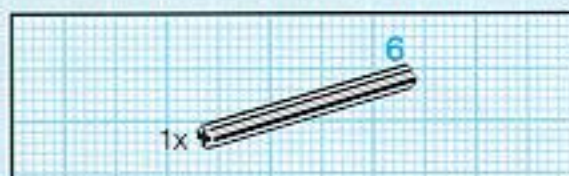
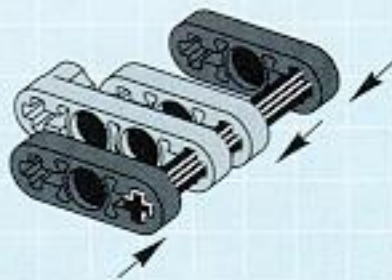




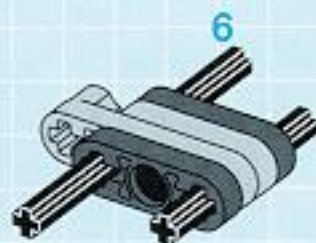
1



2

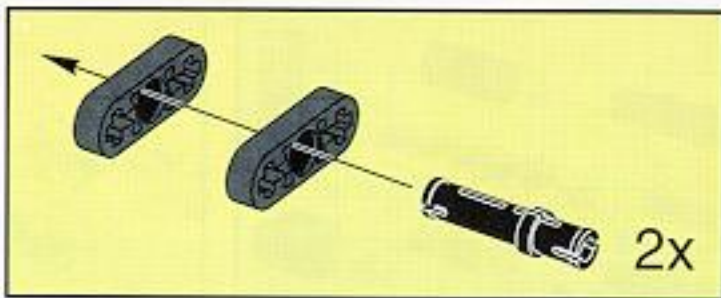
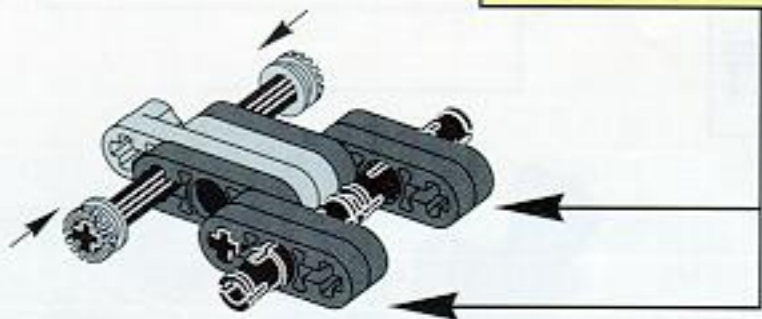


3

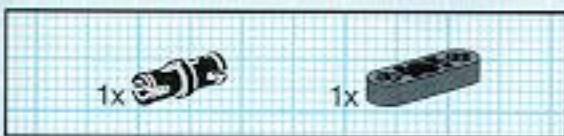
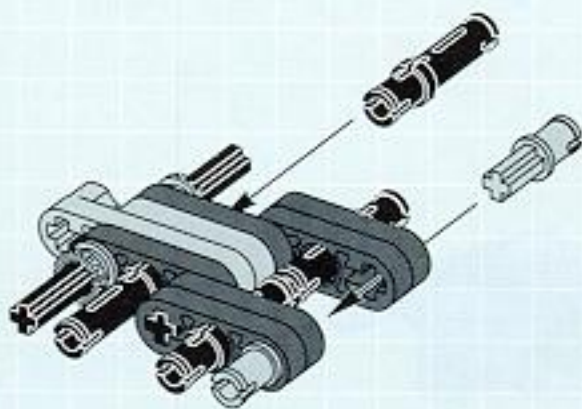




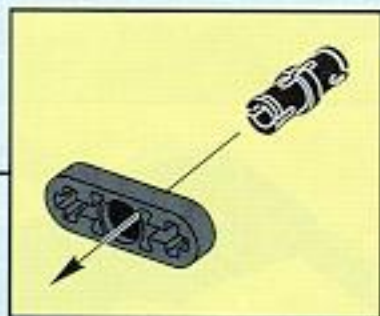
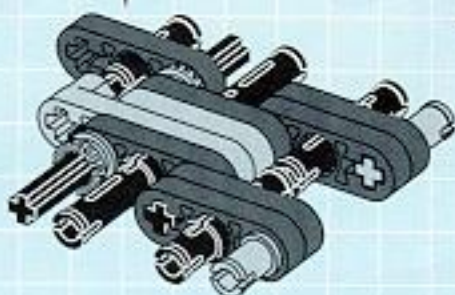
4

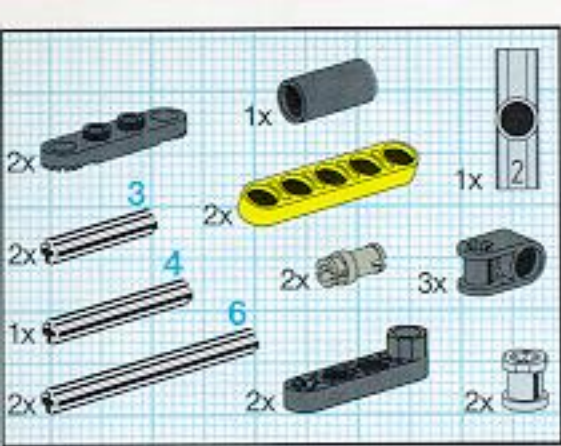


5

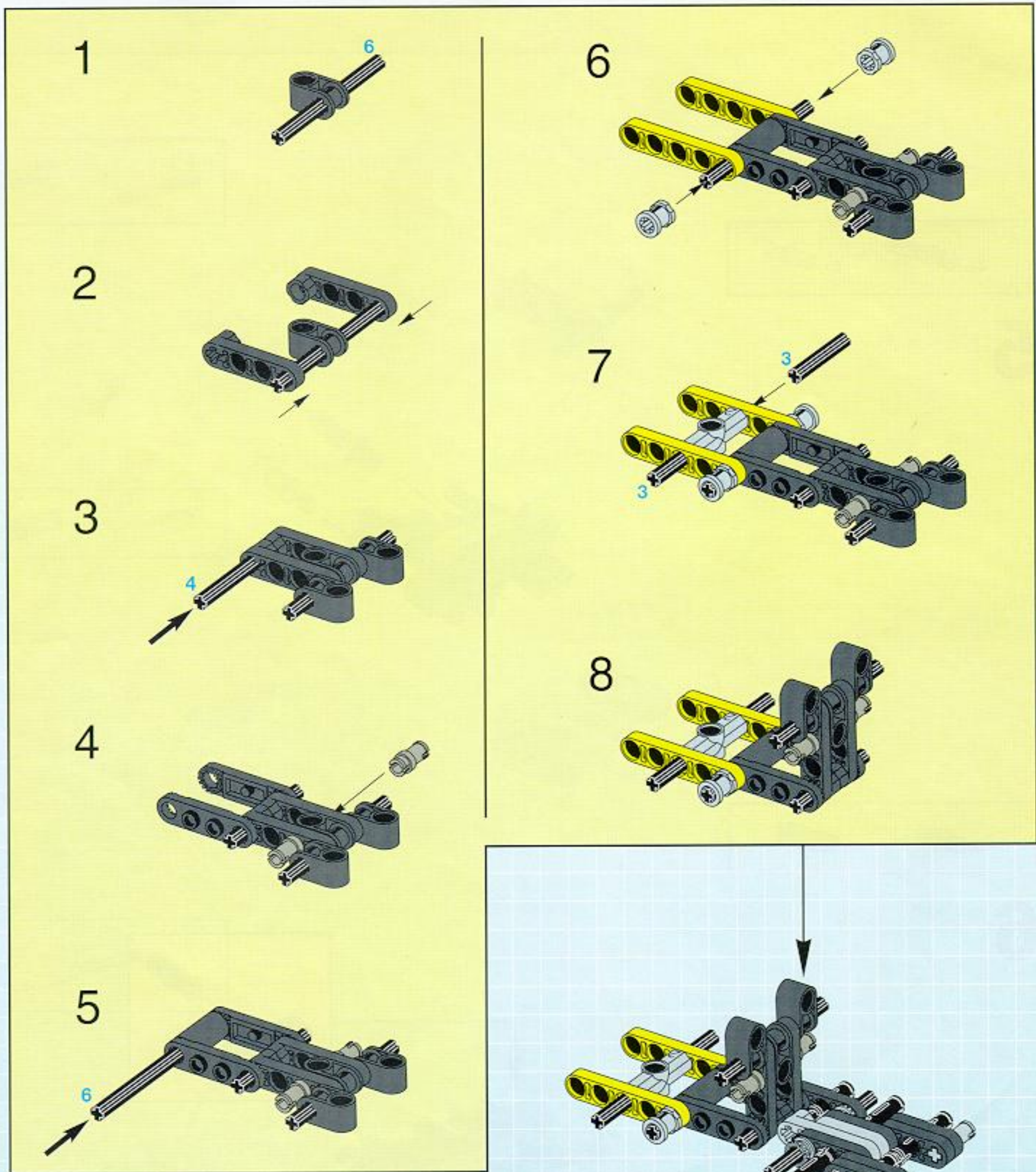


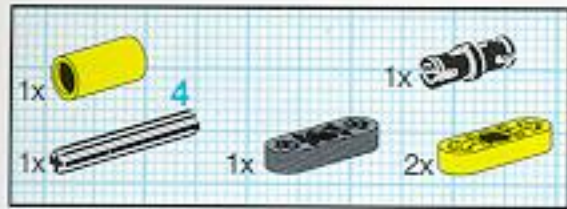
6



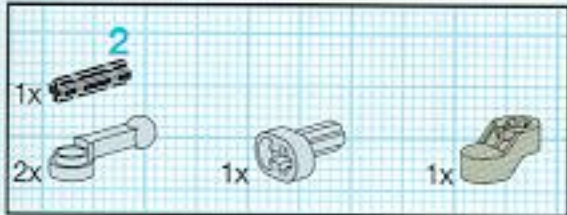
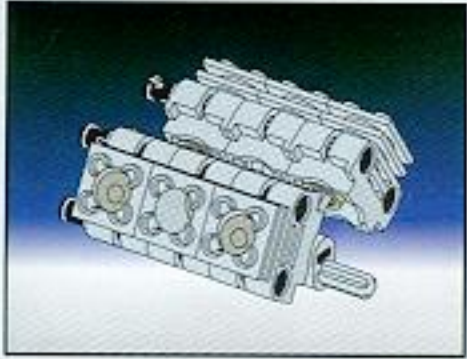
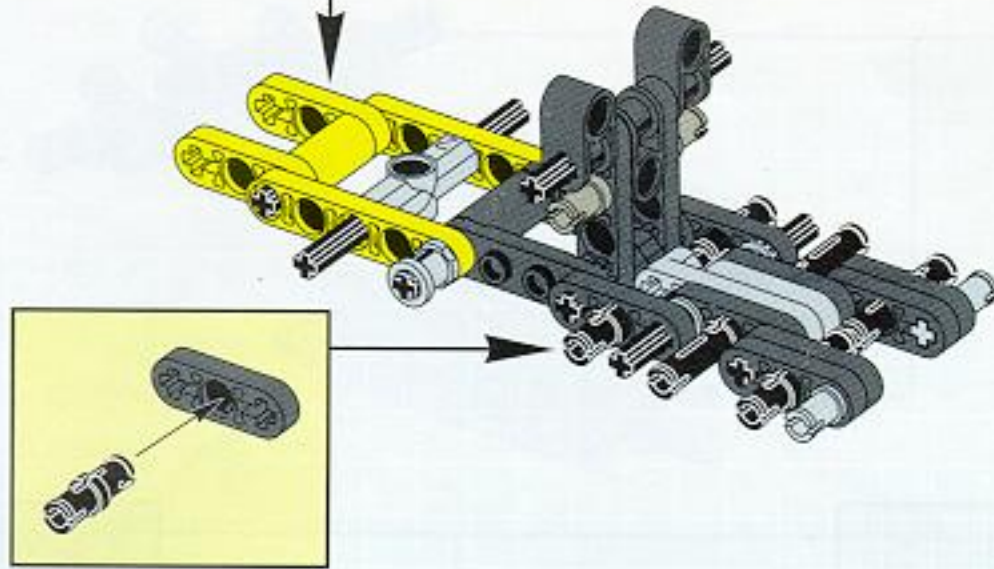
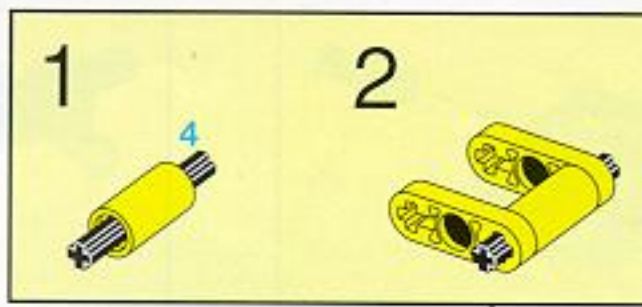


7

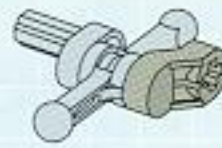
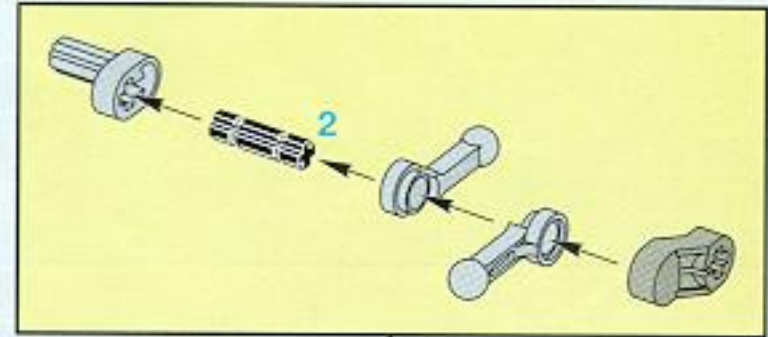




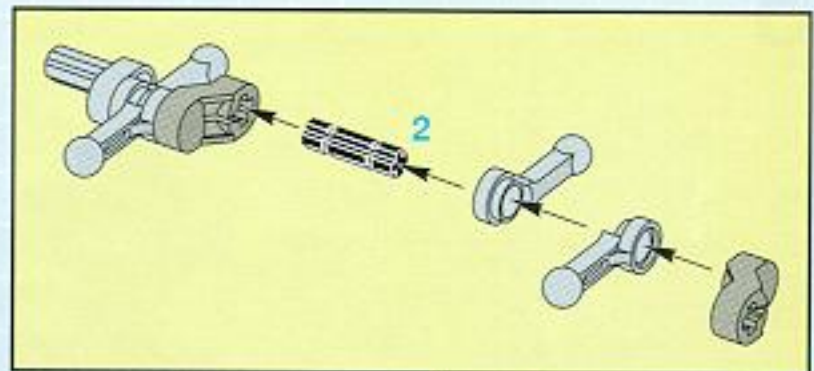
8

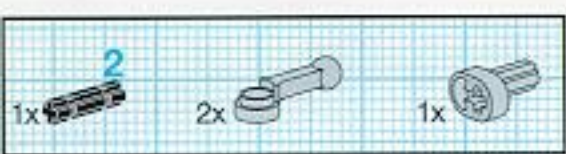


1

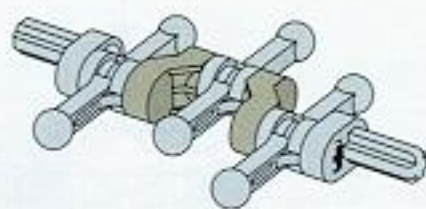
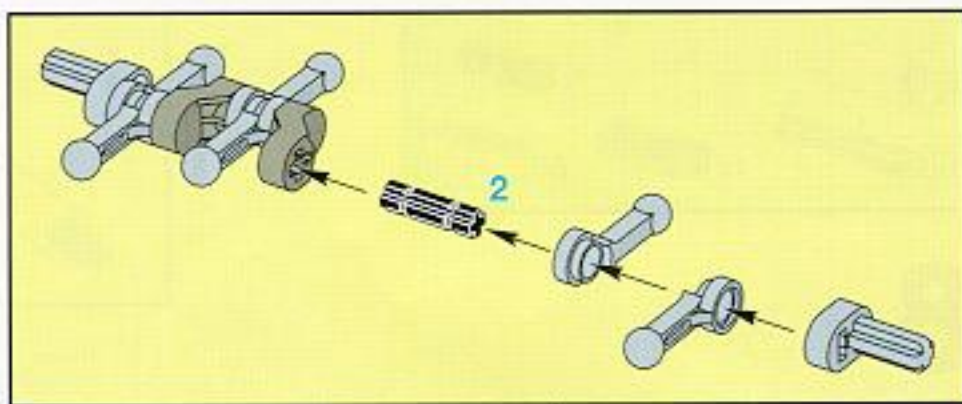


2

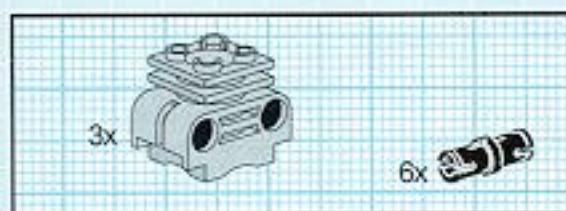
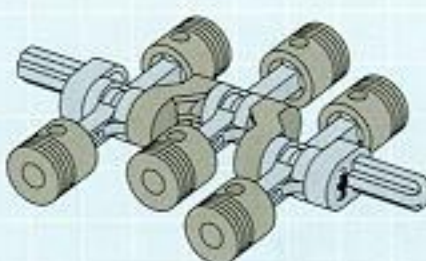
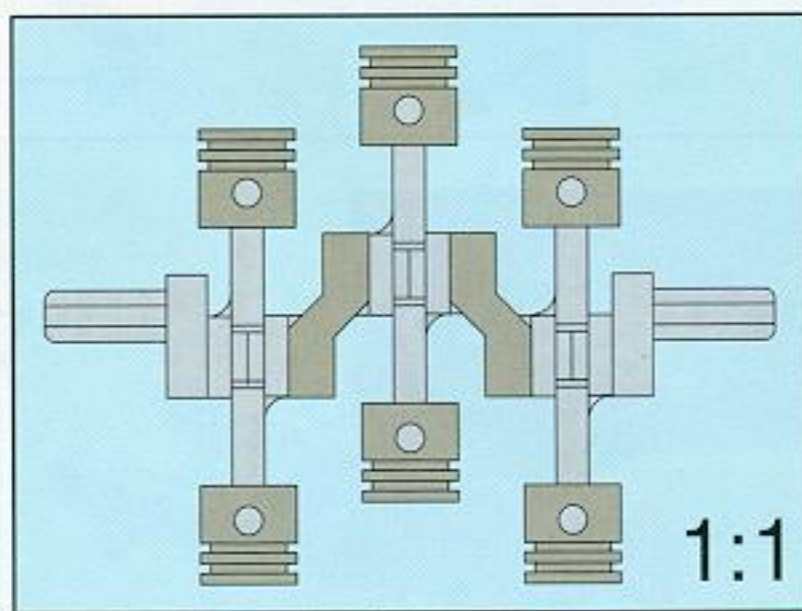




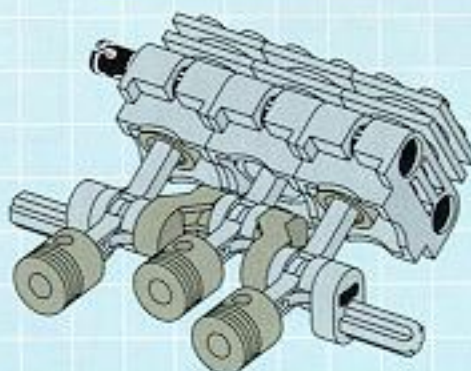
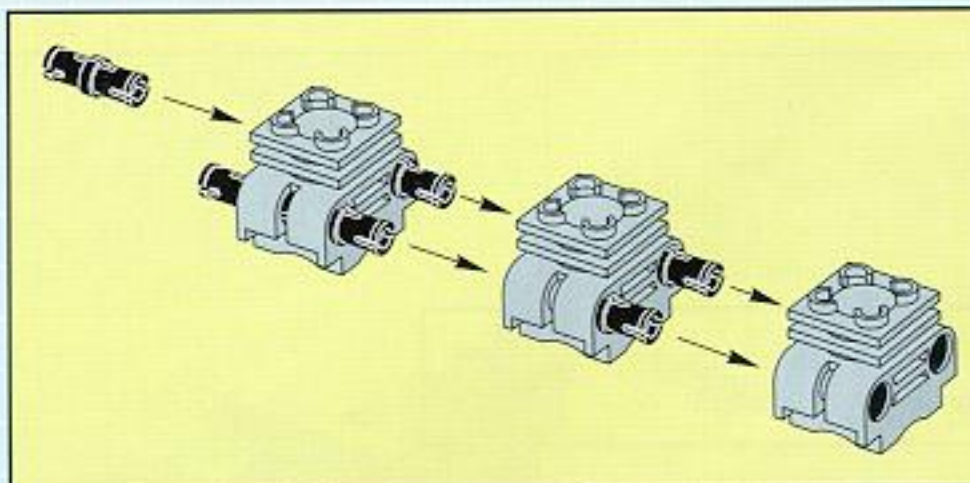
3

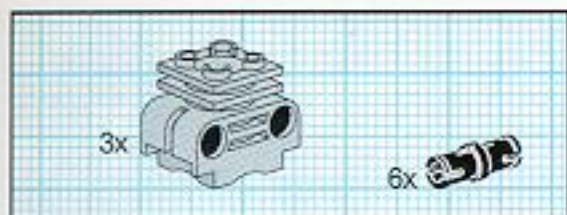


4

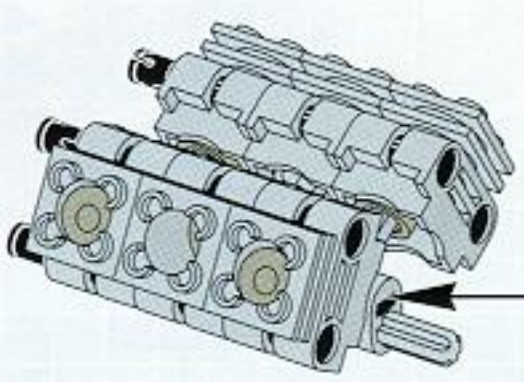
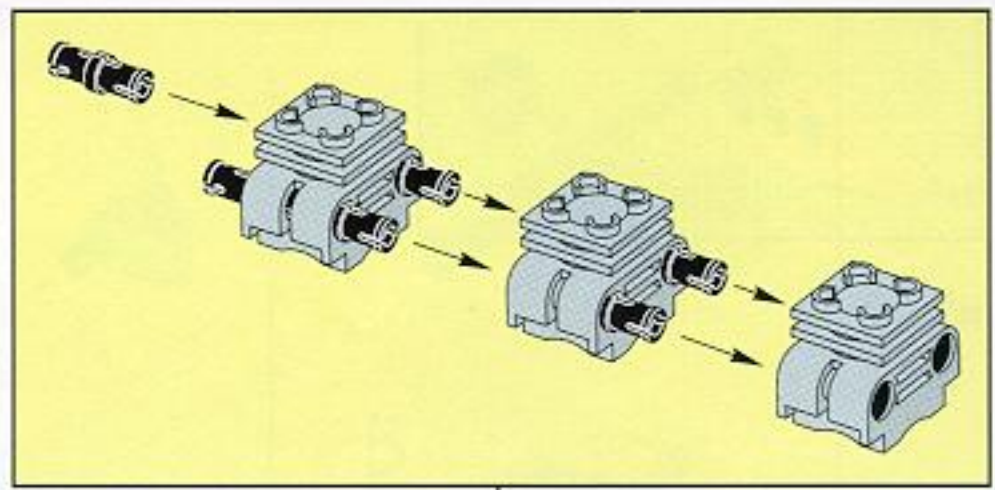


5

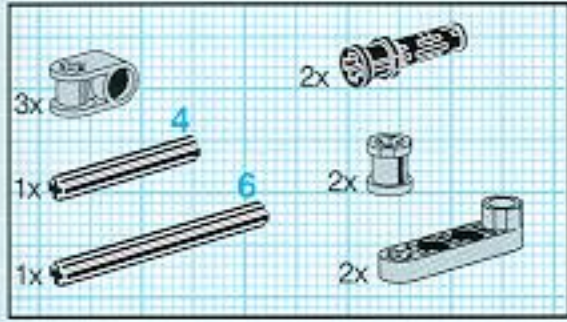
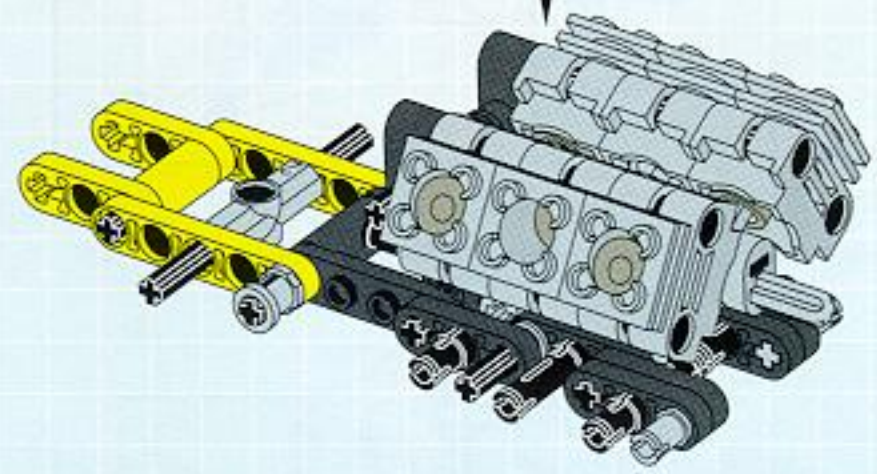




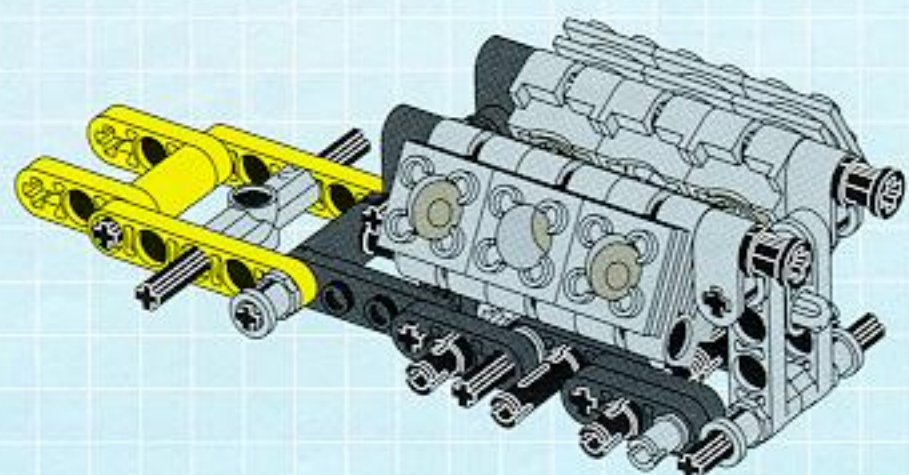
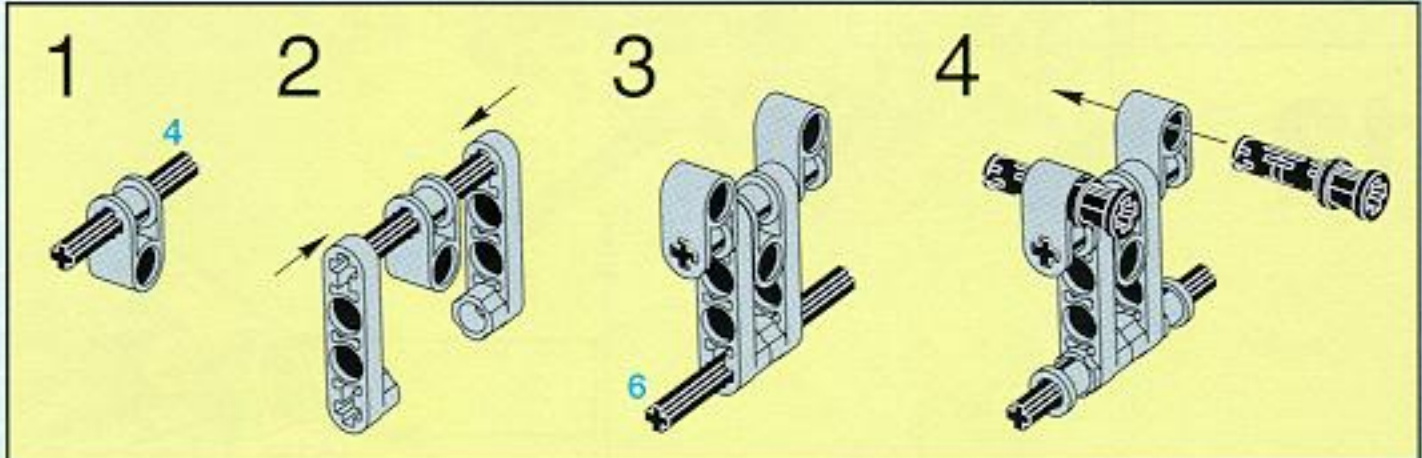
6

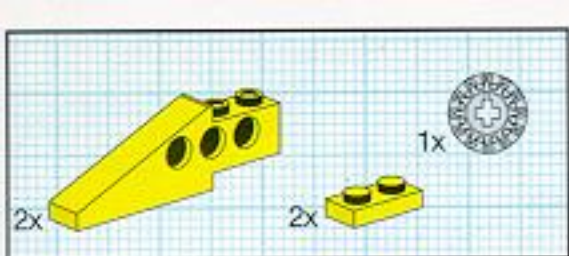


9

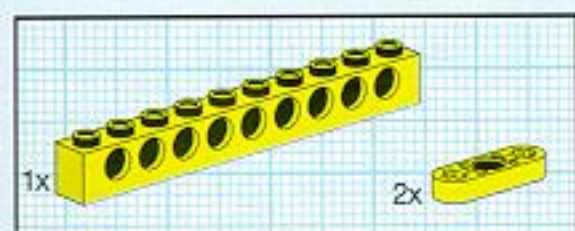
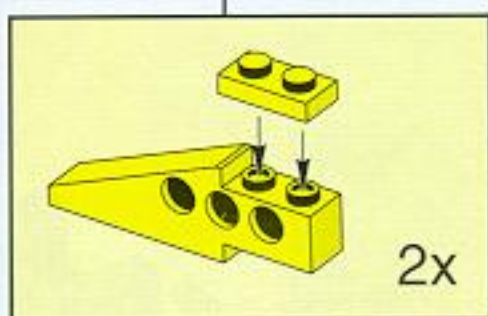
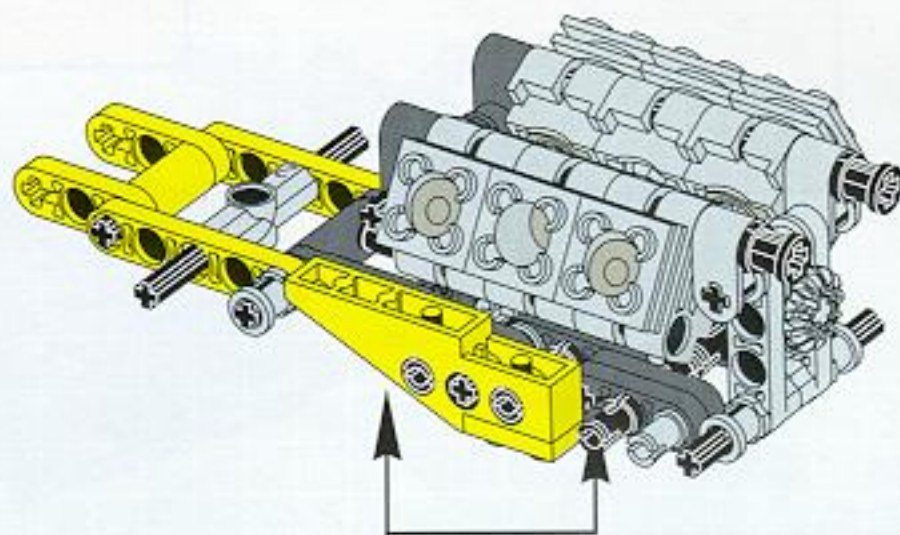


10

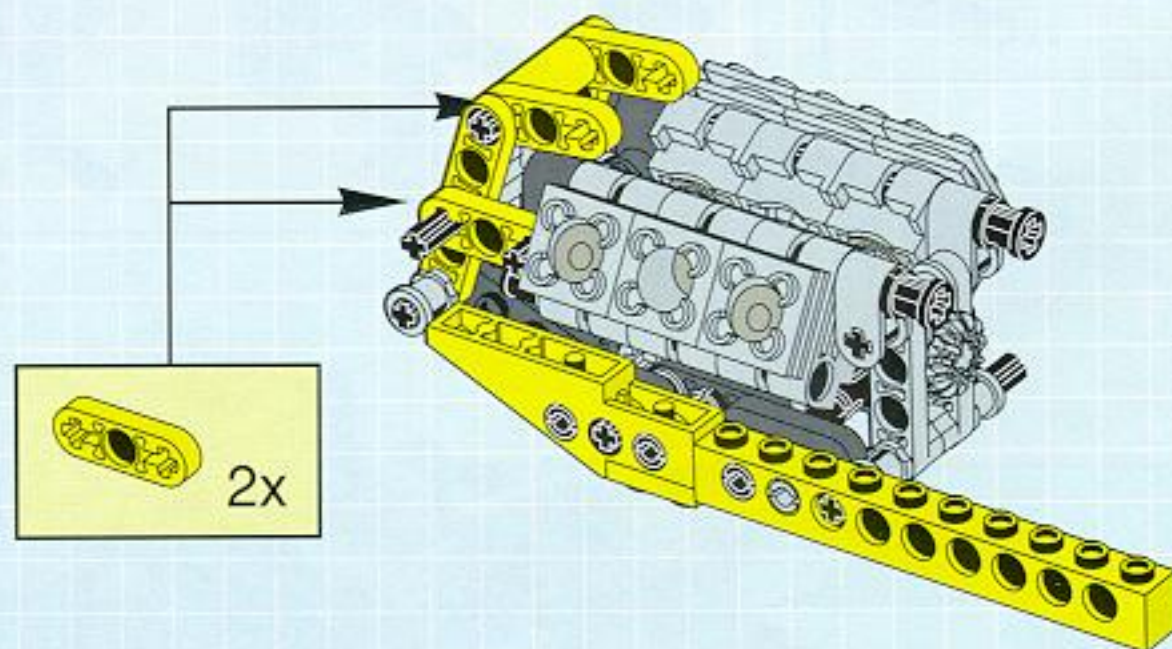


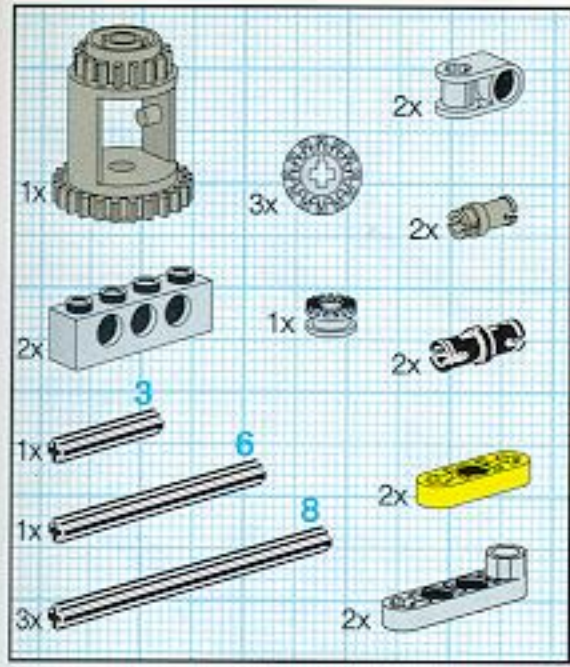


11

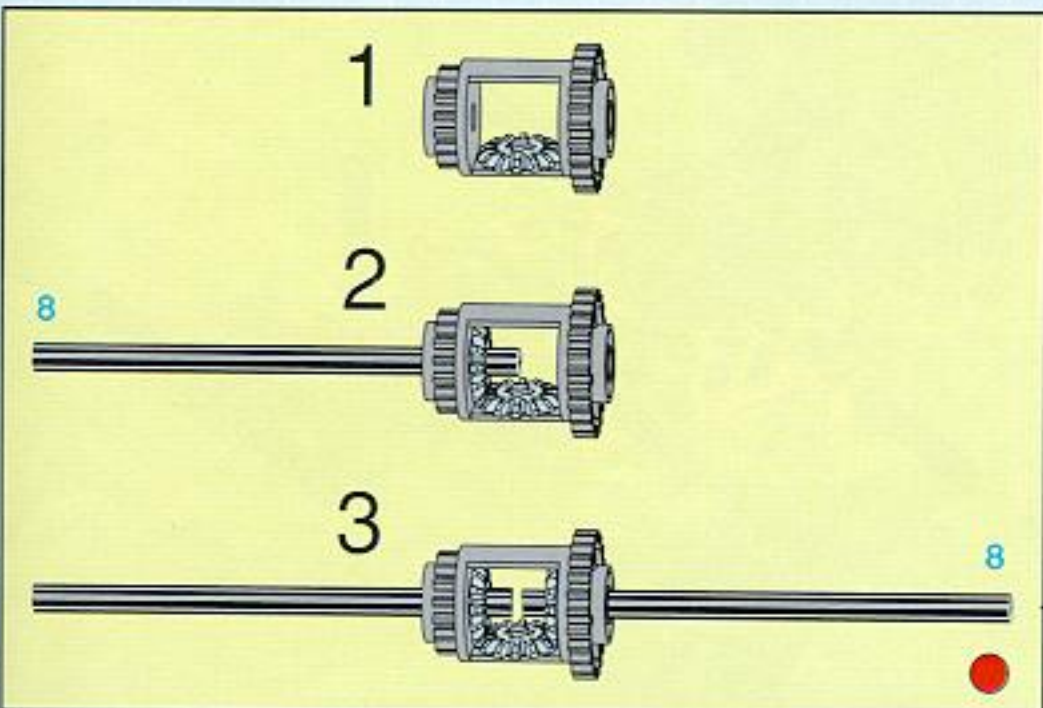
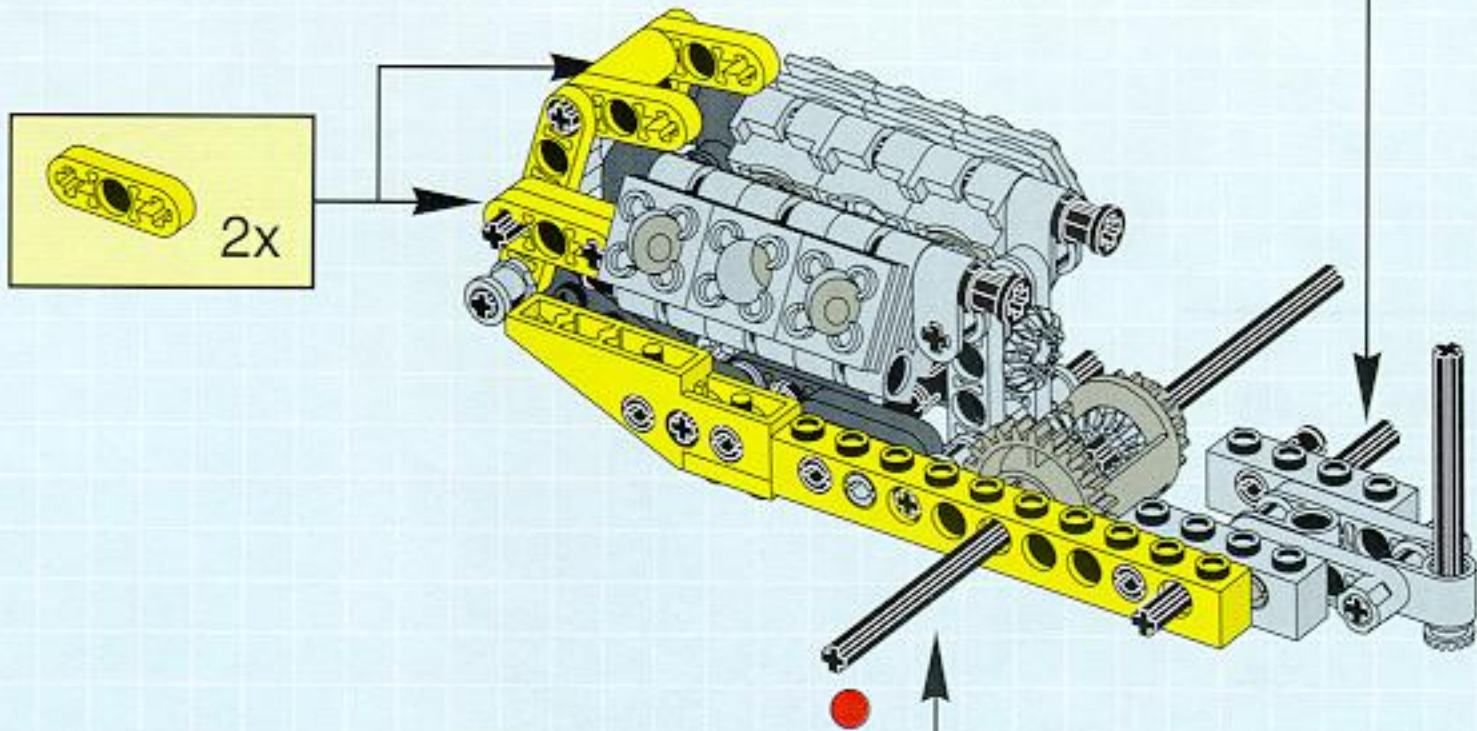
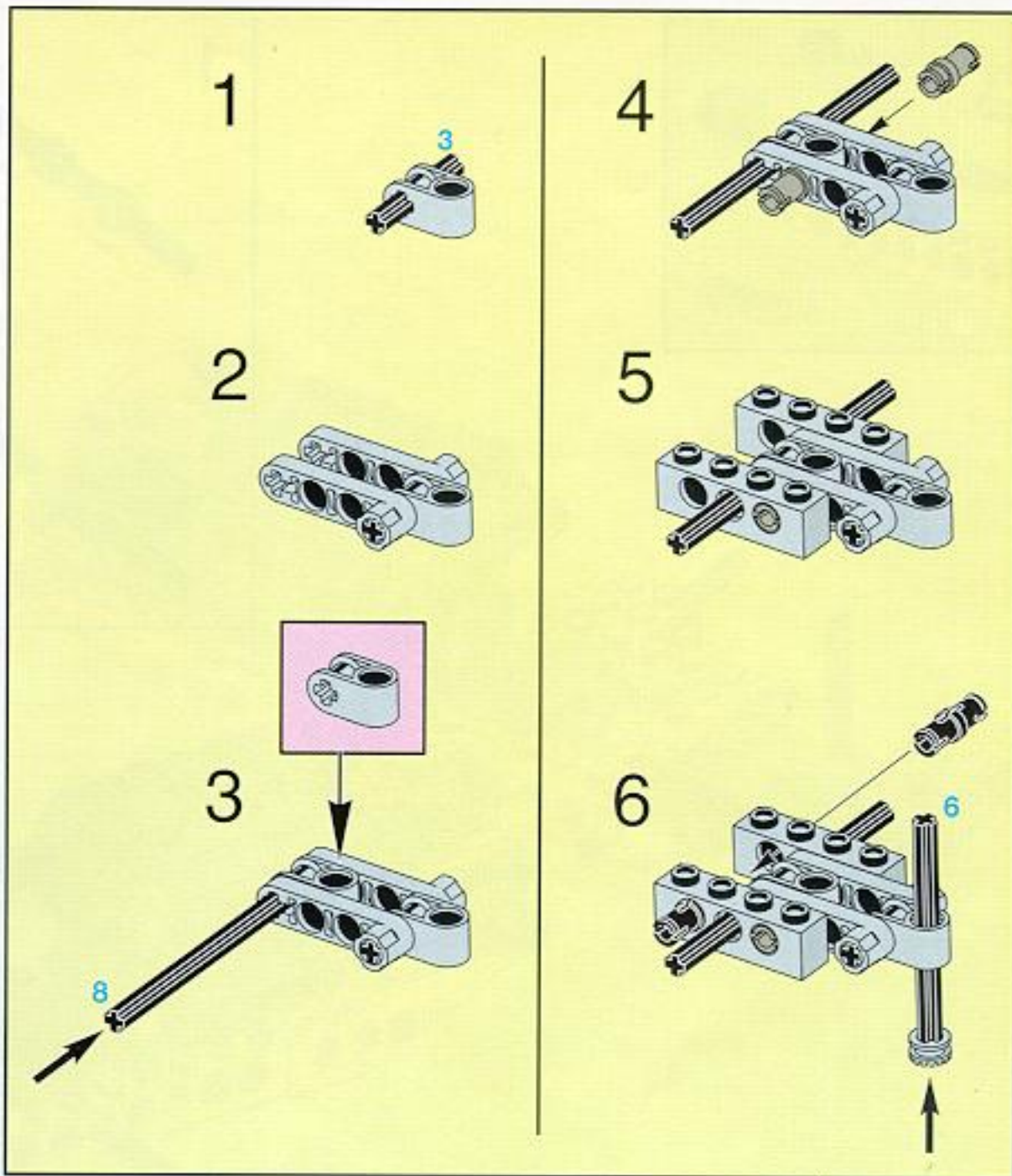


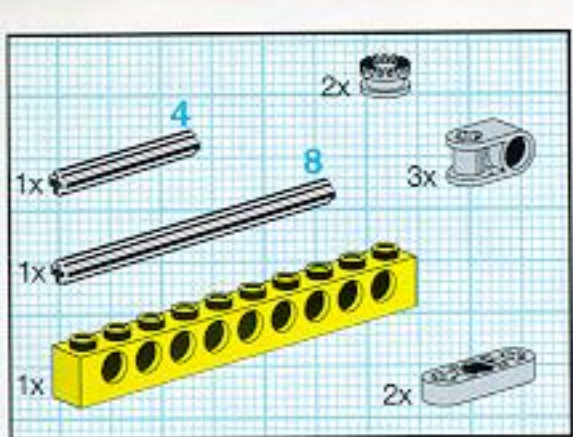
12



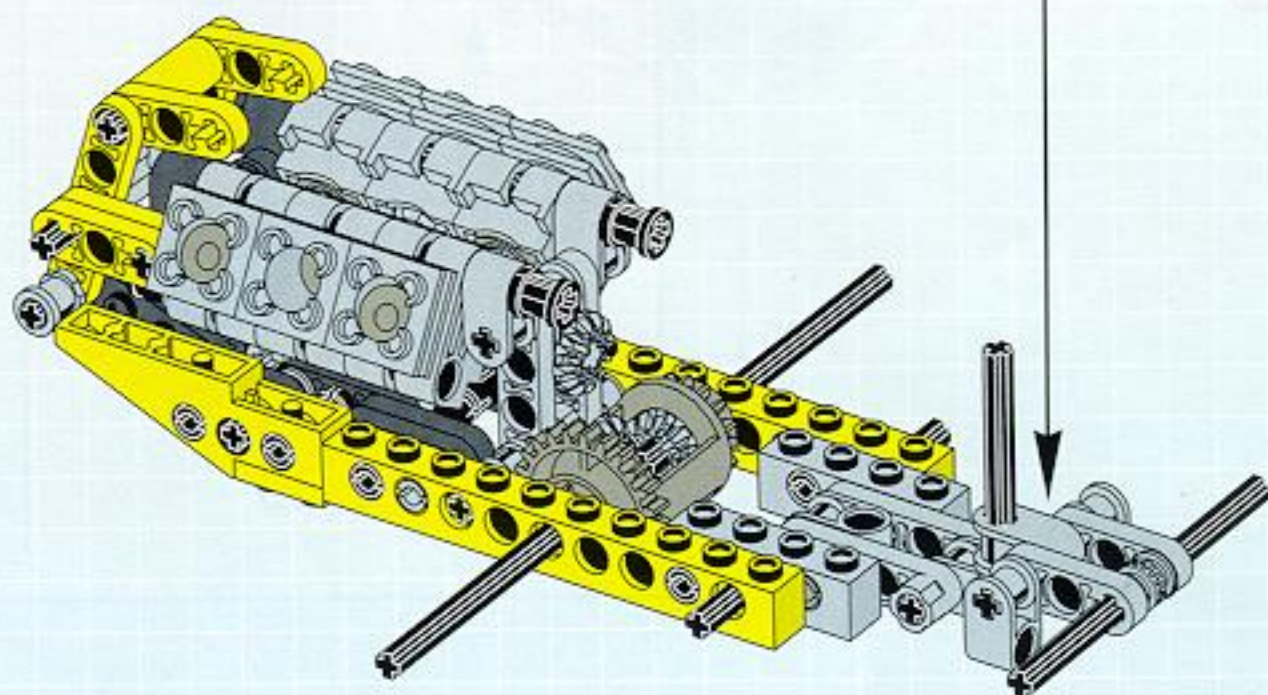
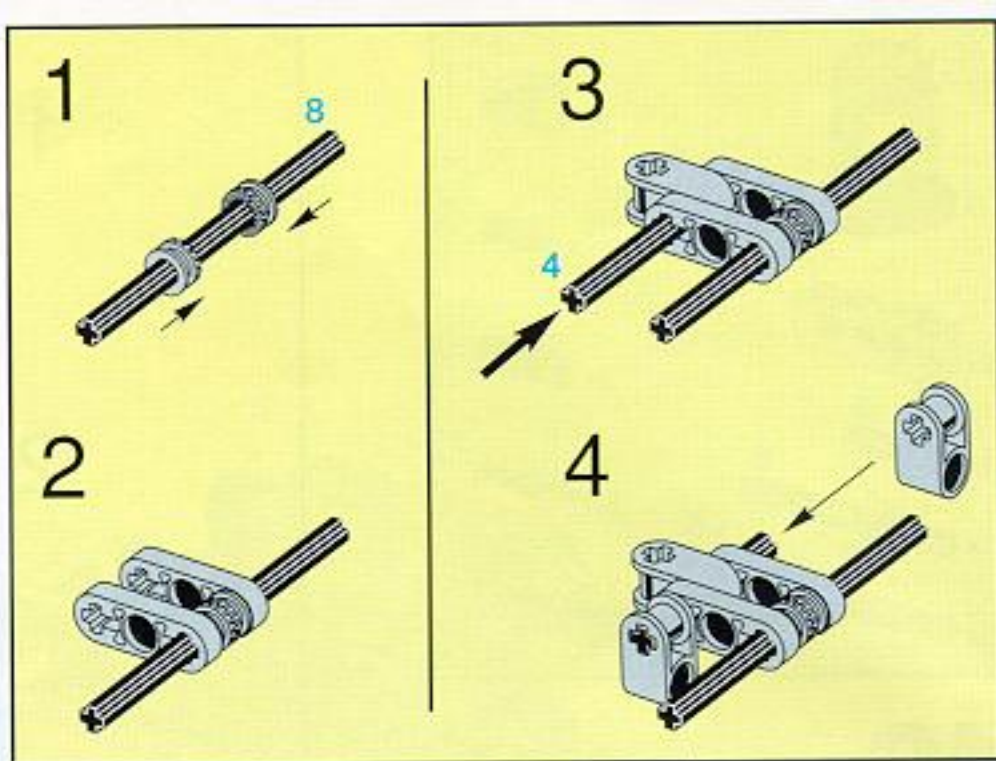


13

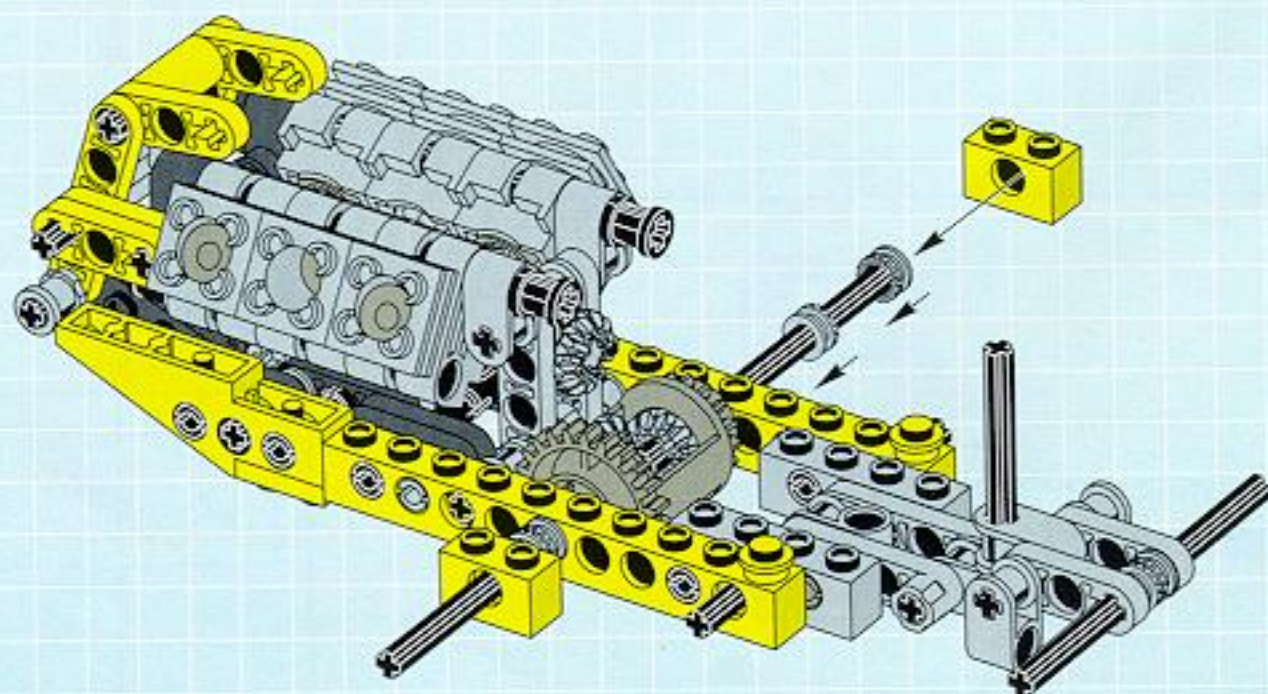


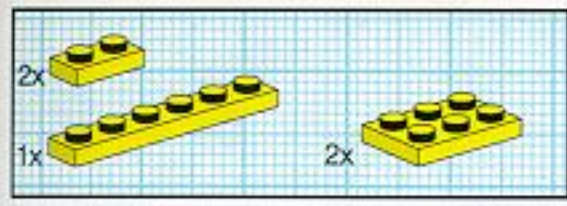


14

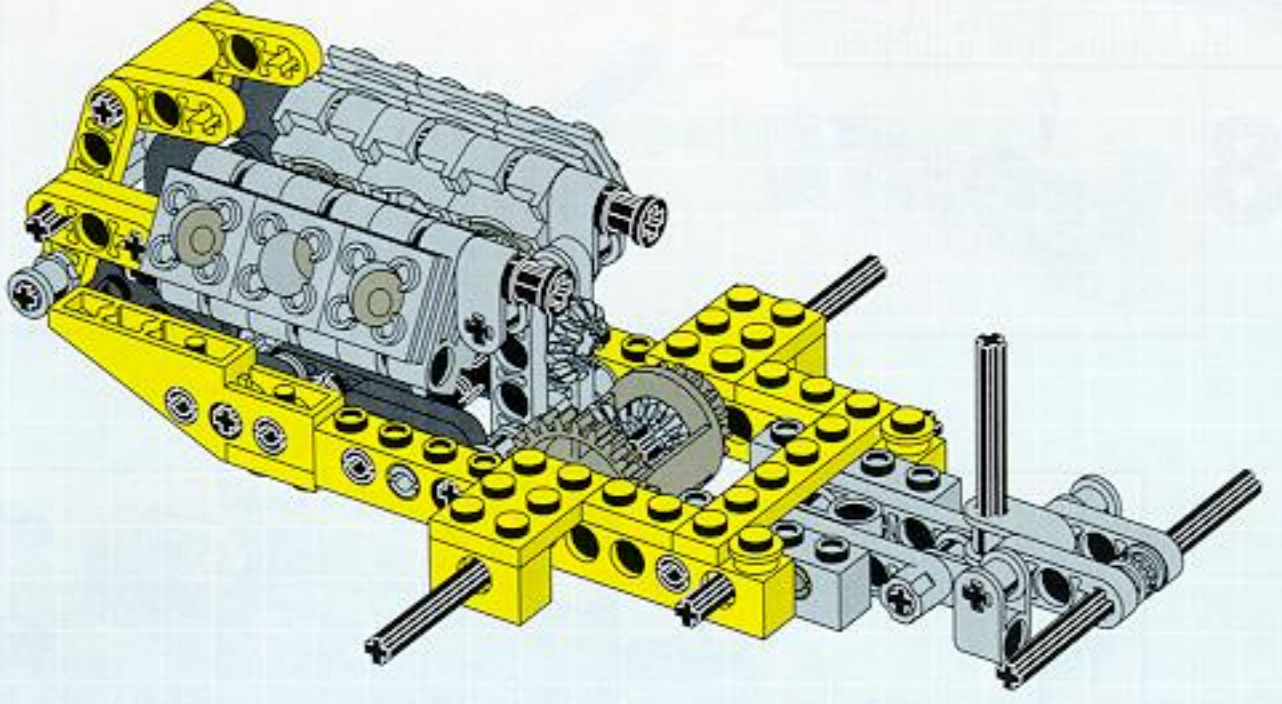


15

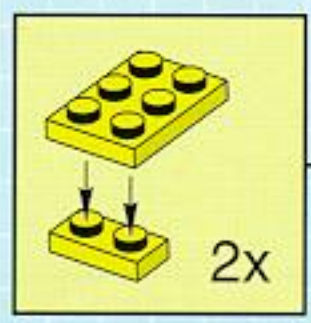
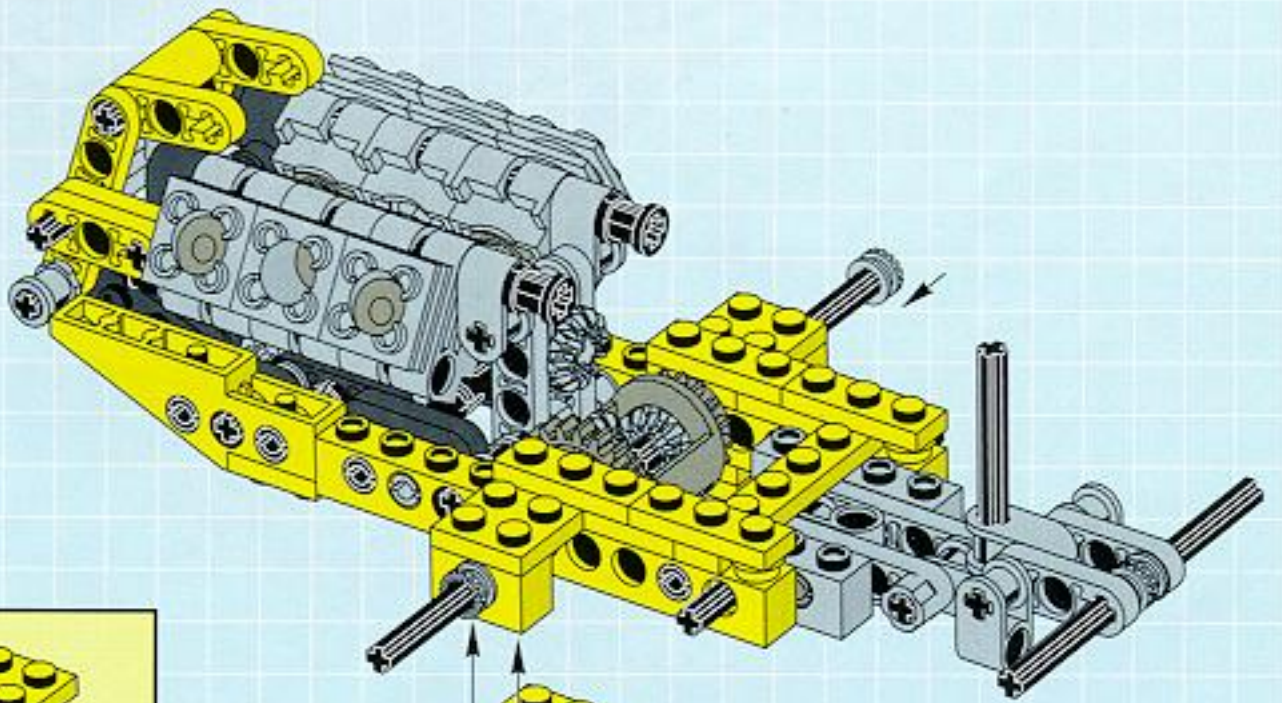


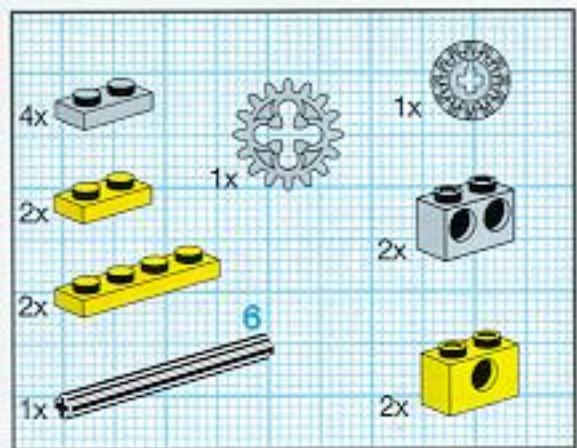


16

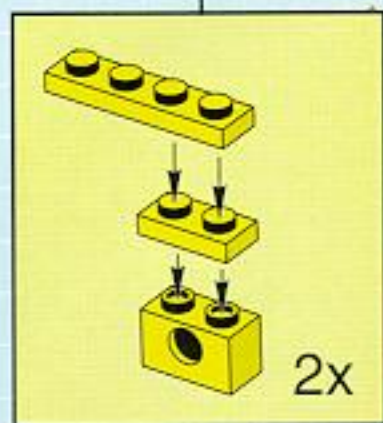
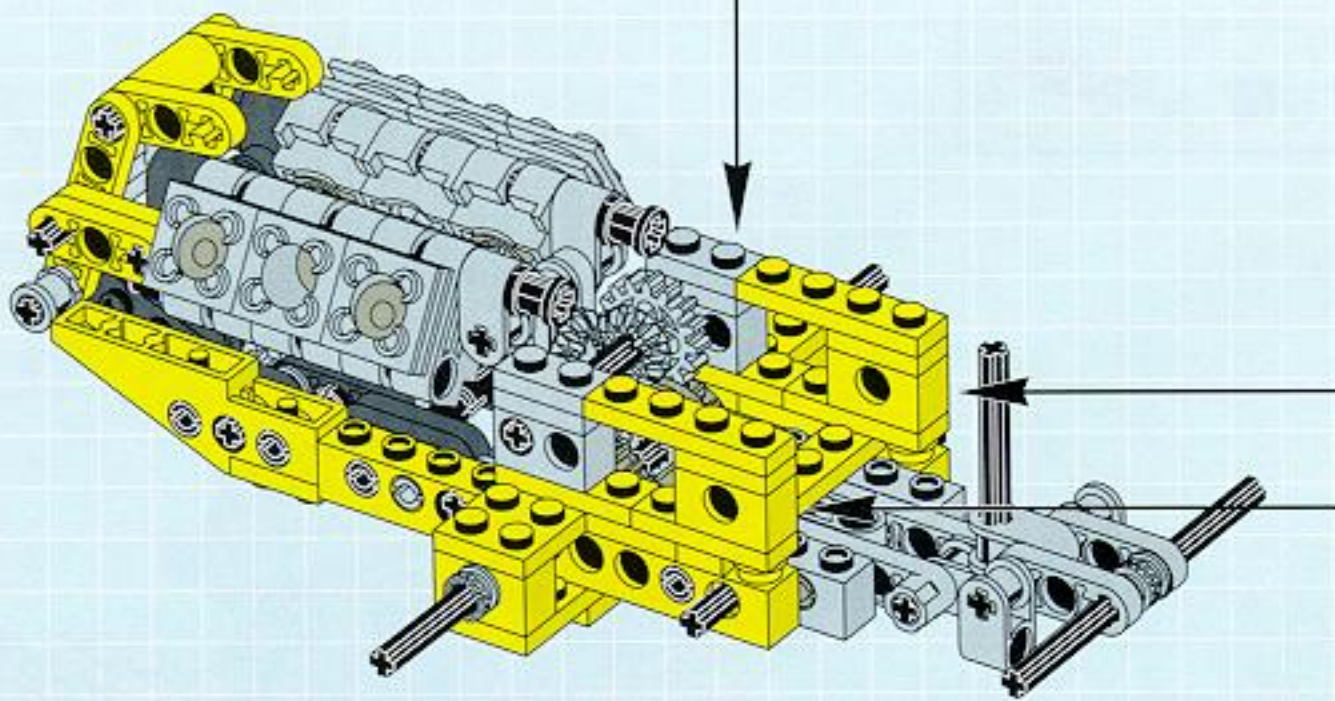
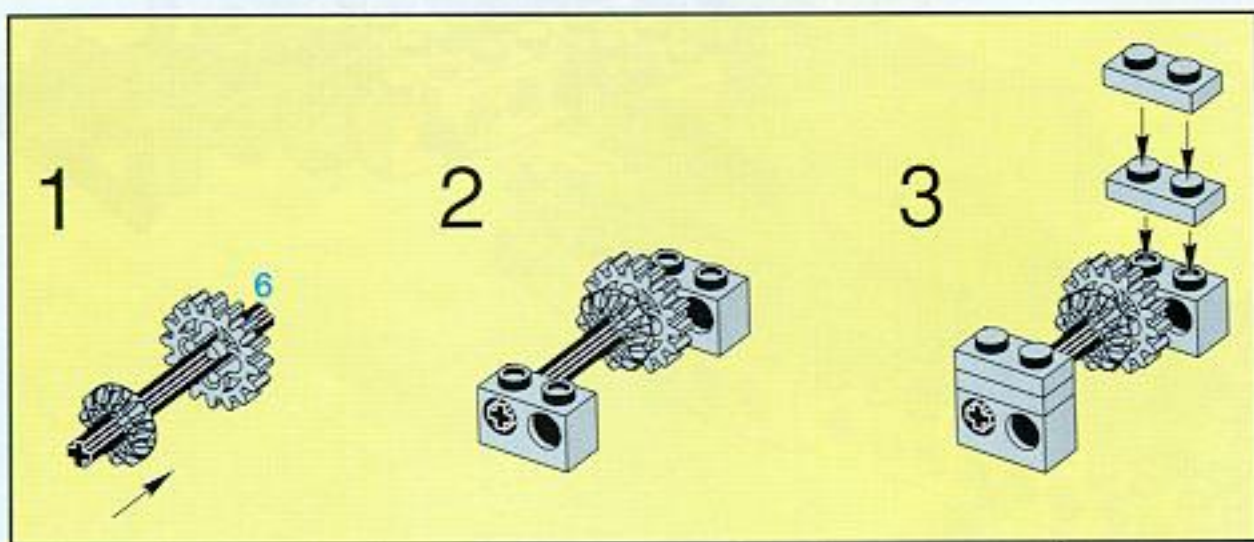


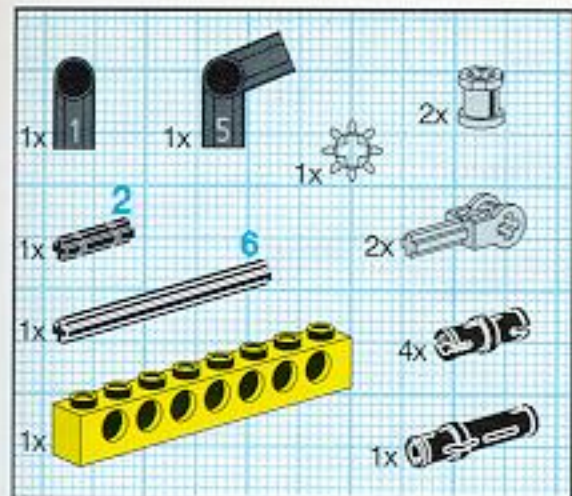
17



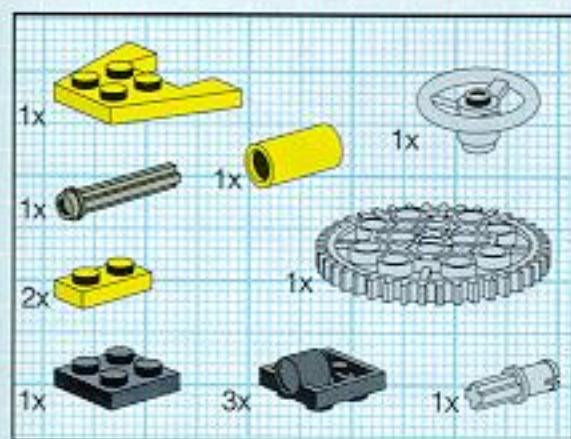
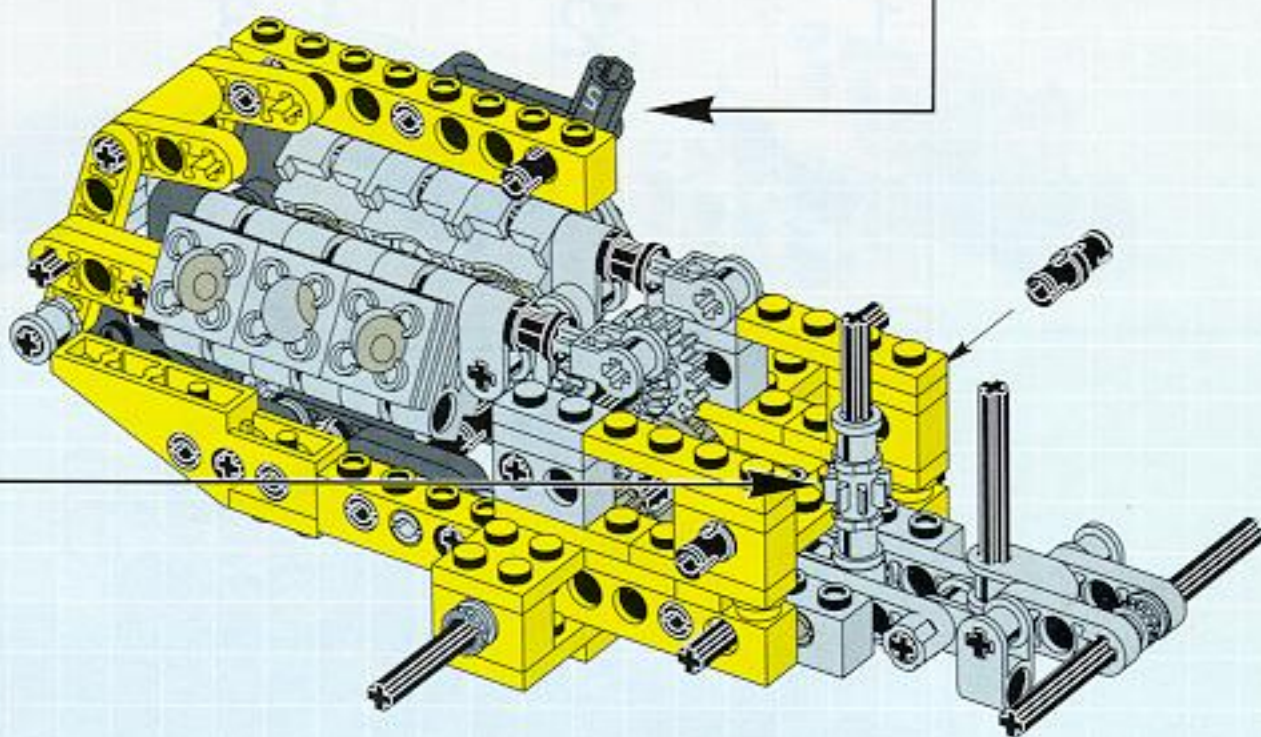
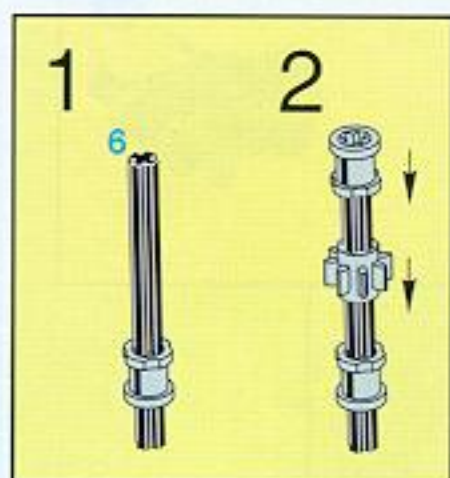
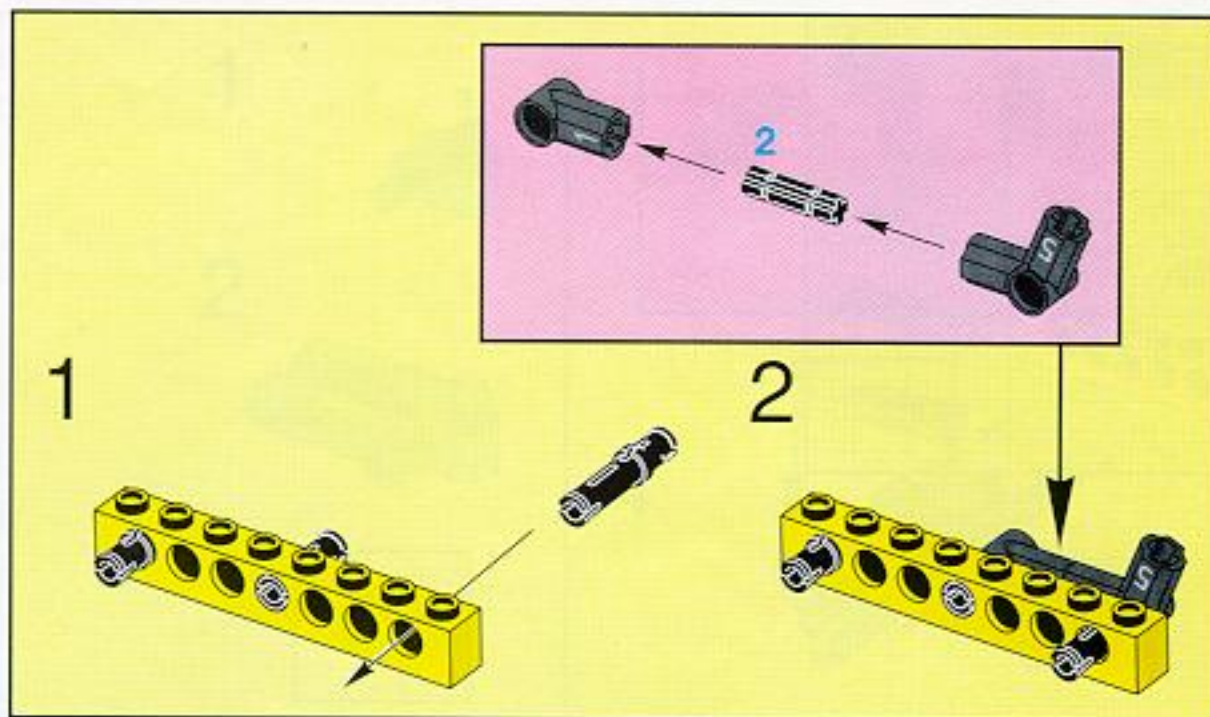


18

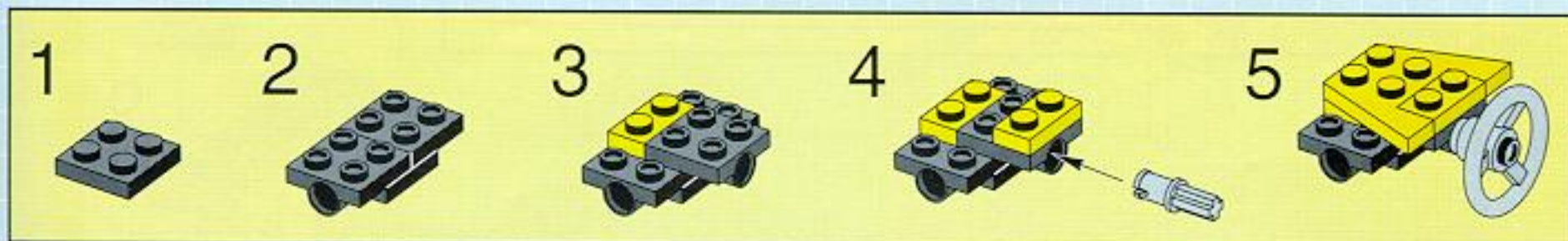
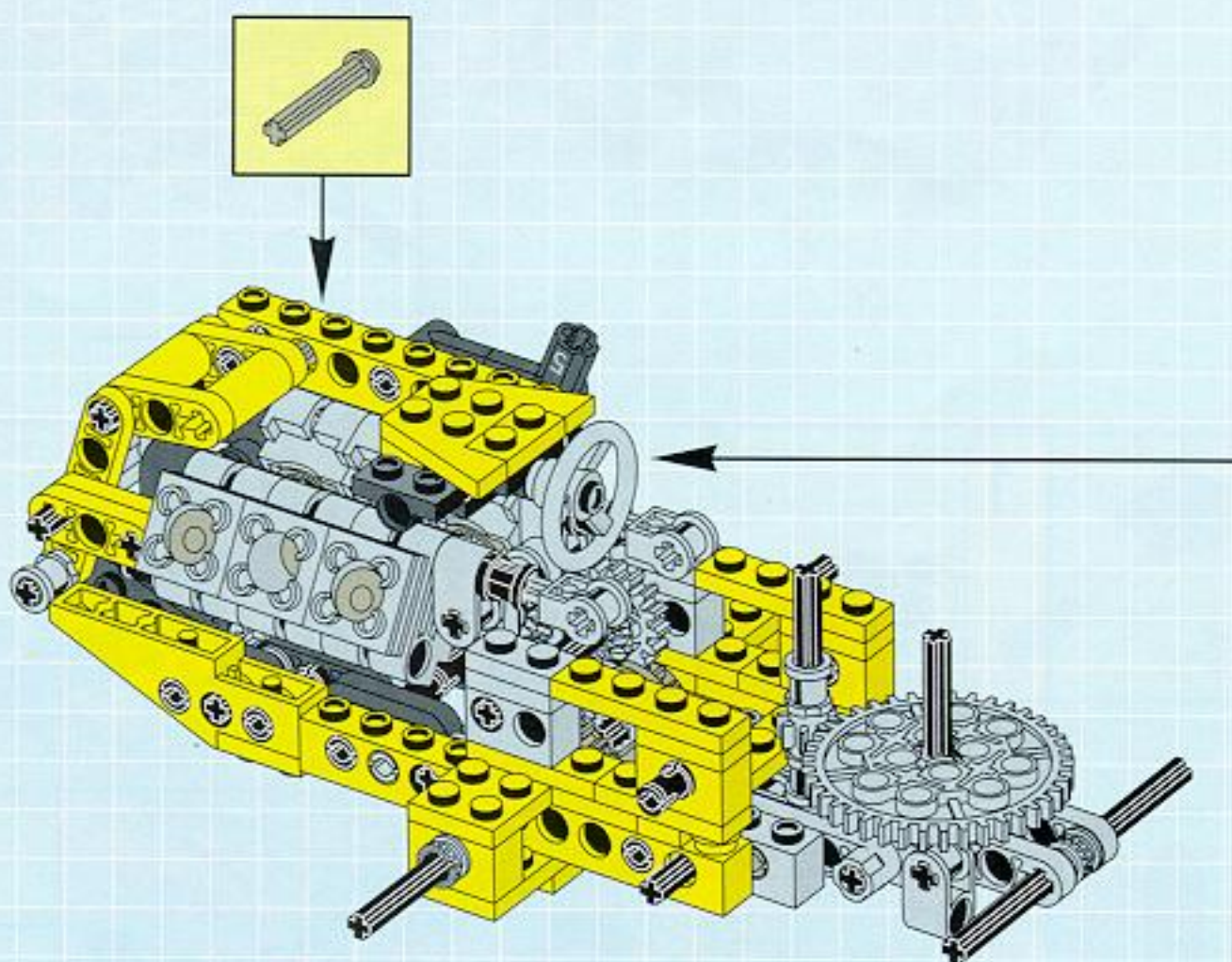


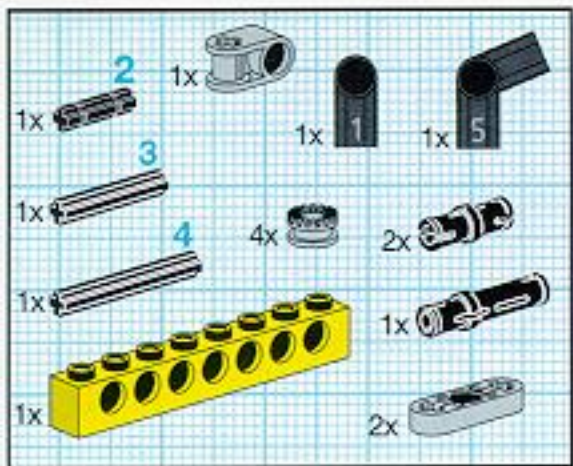


19

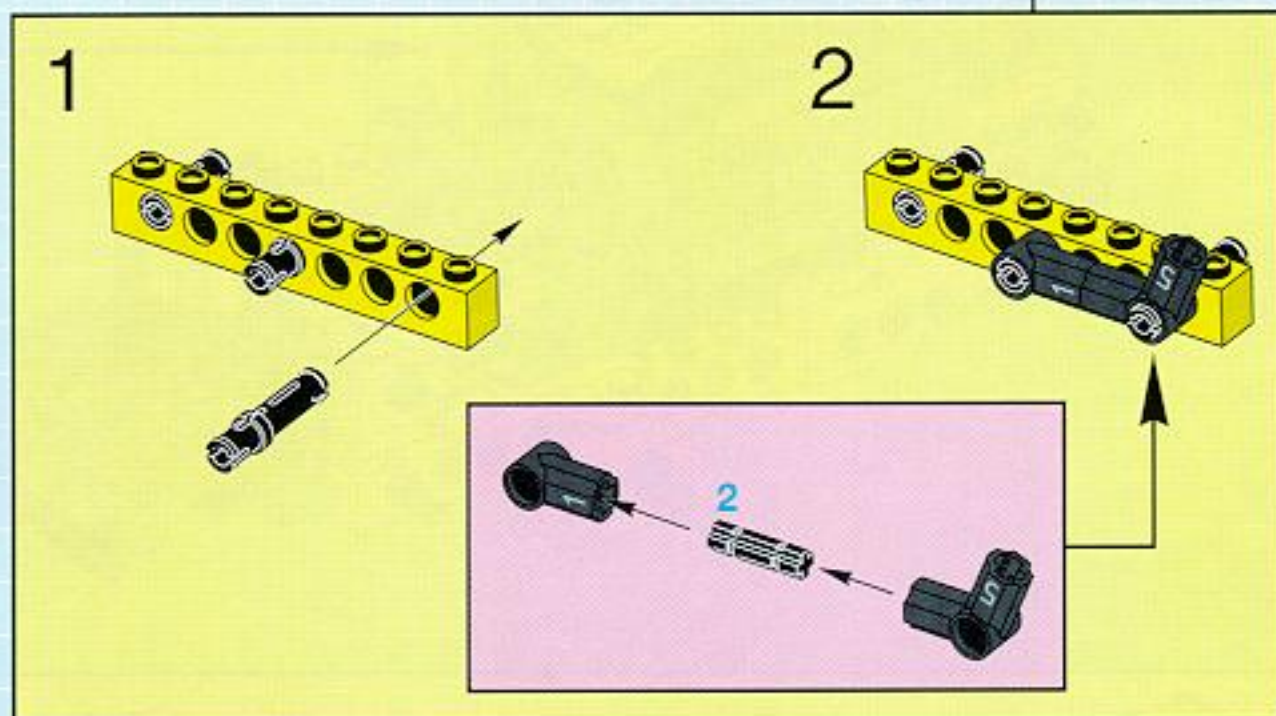
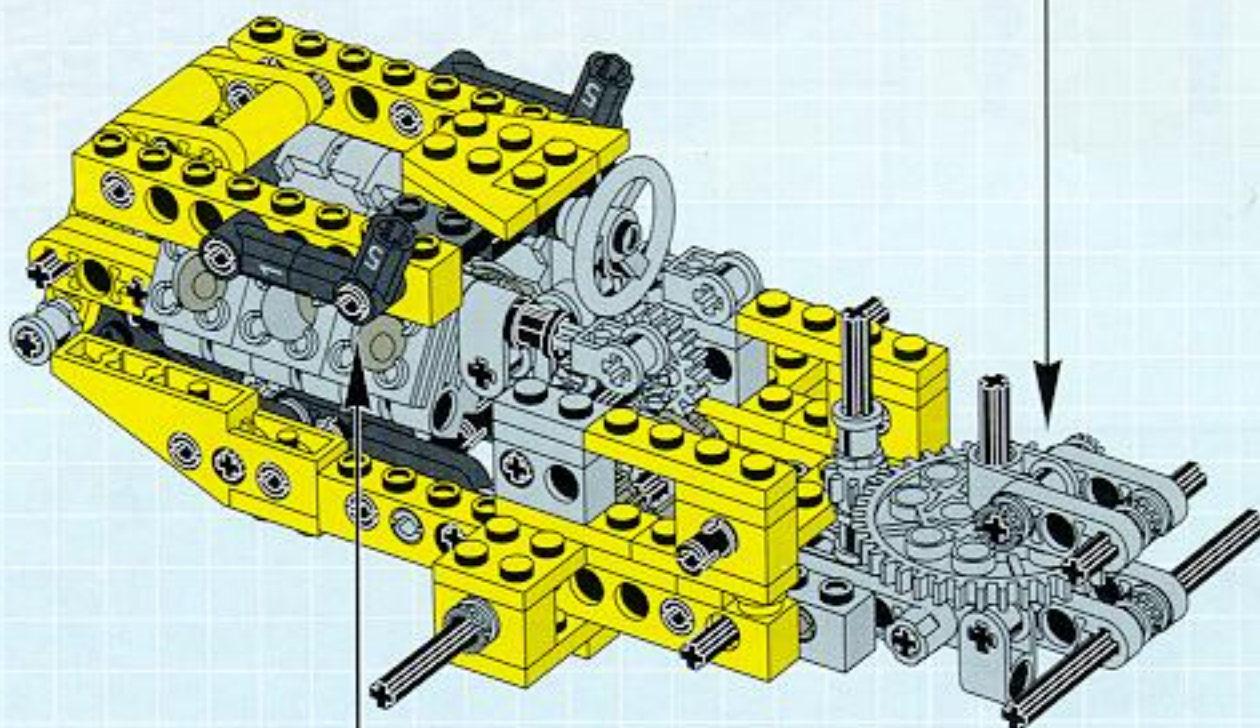
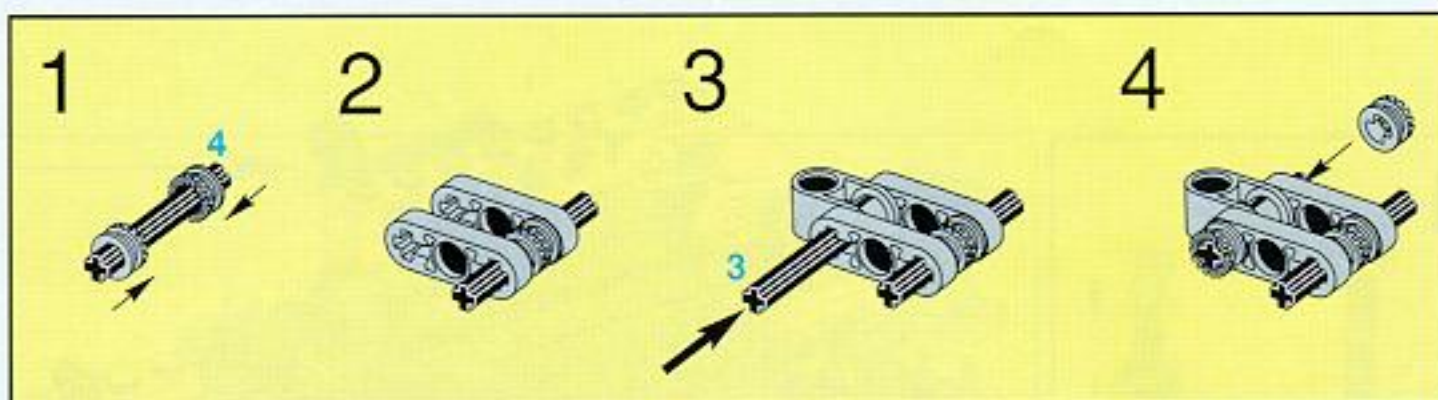


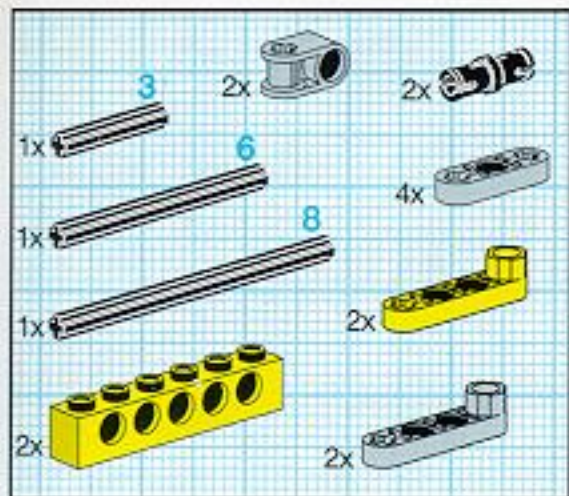
20



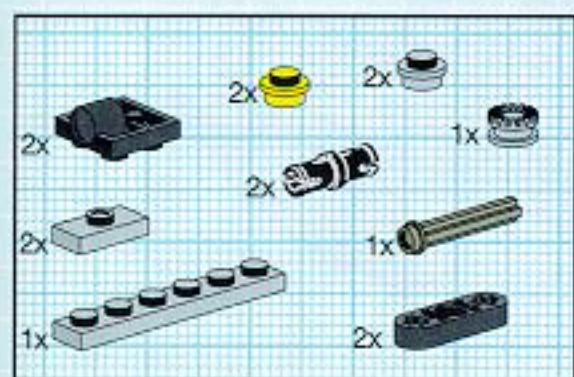
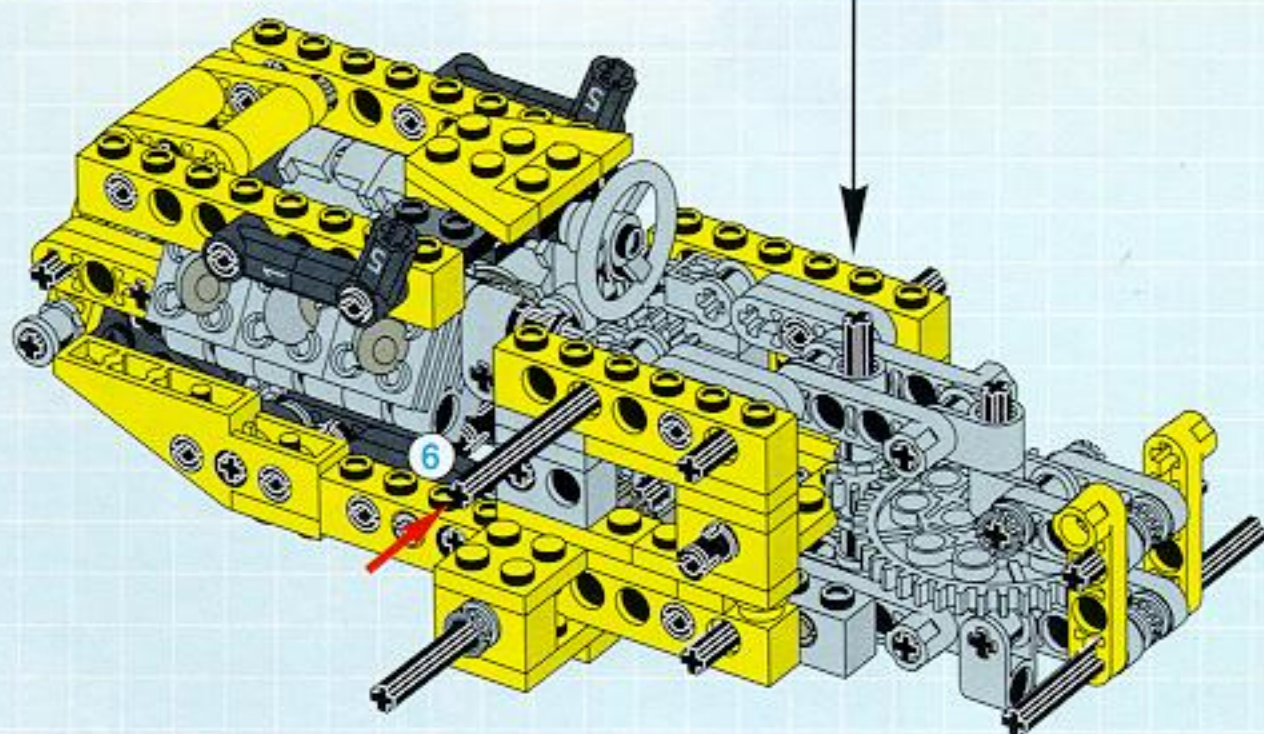
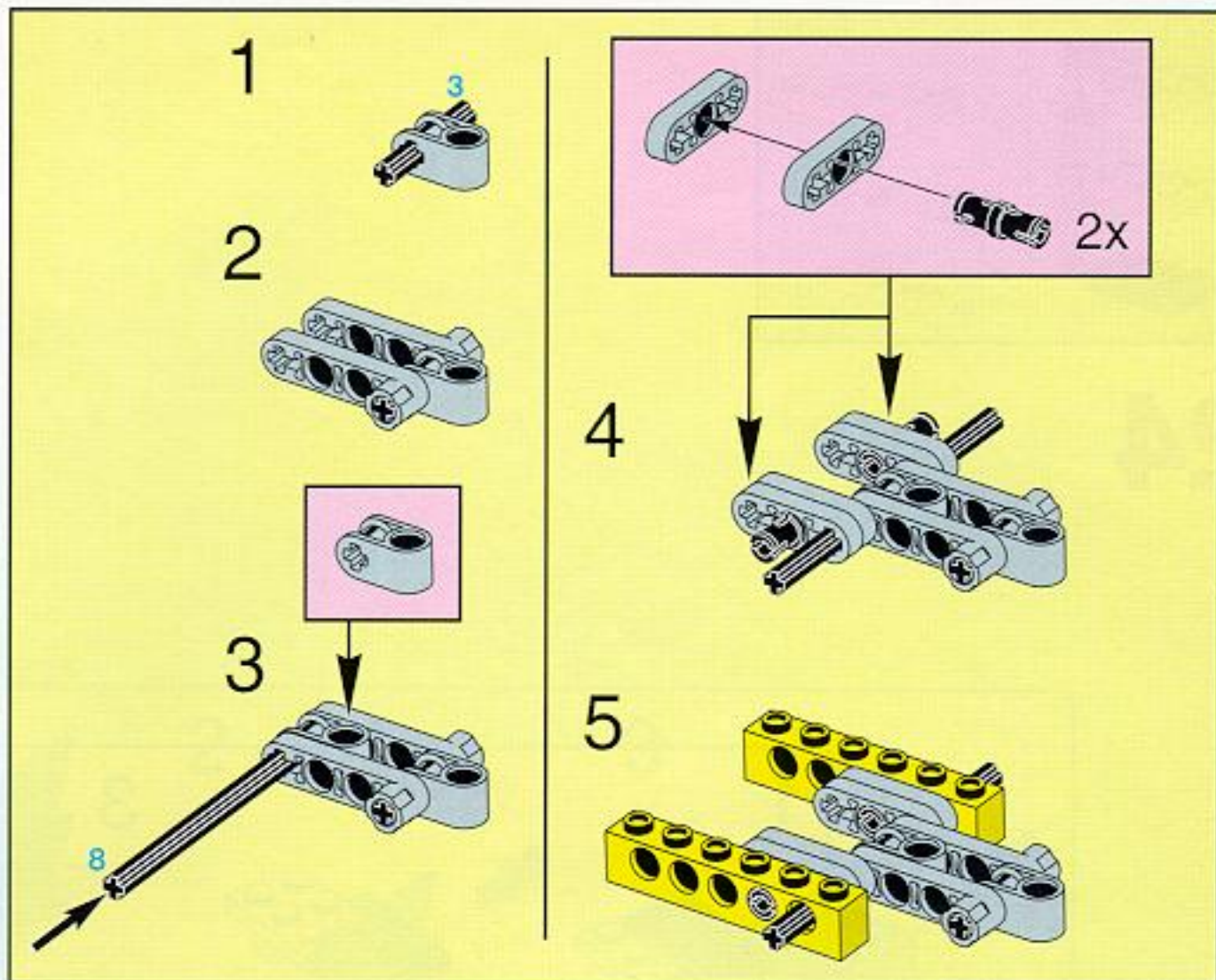


21

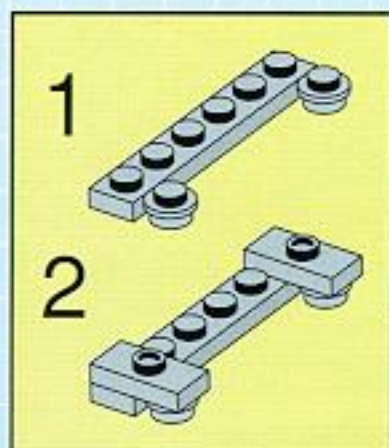
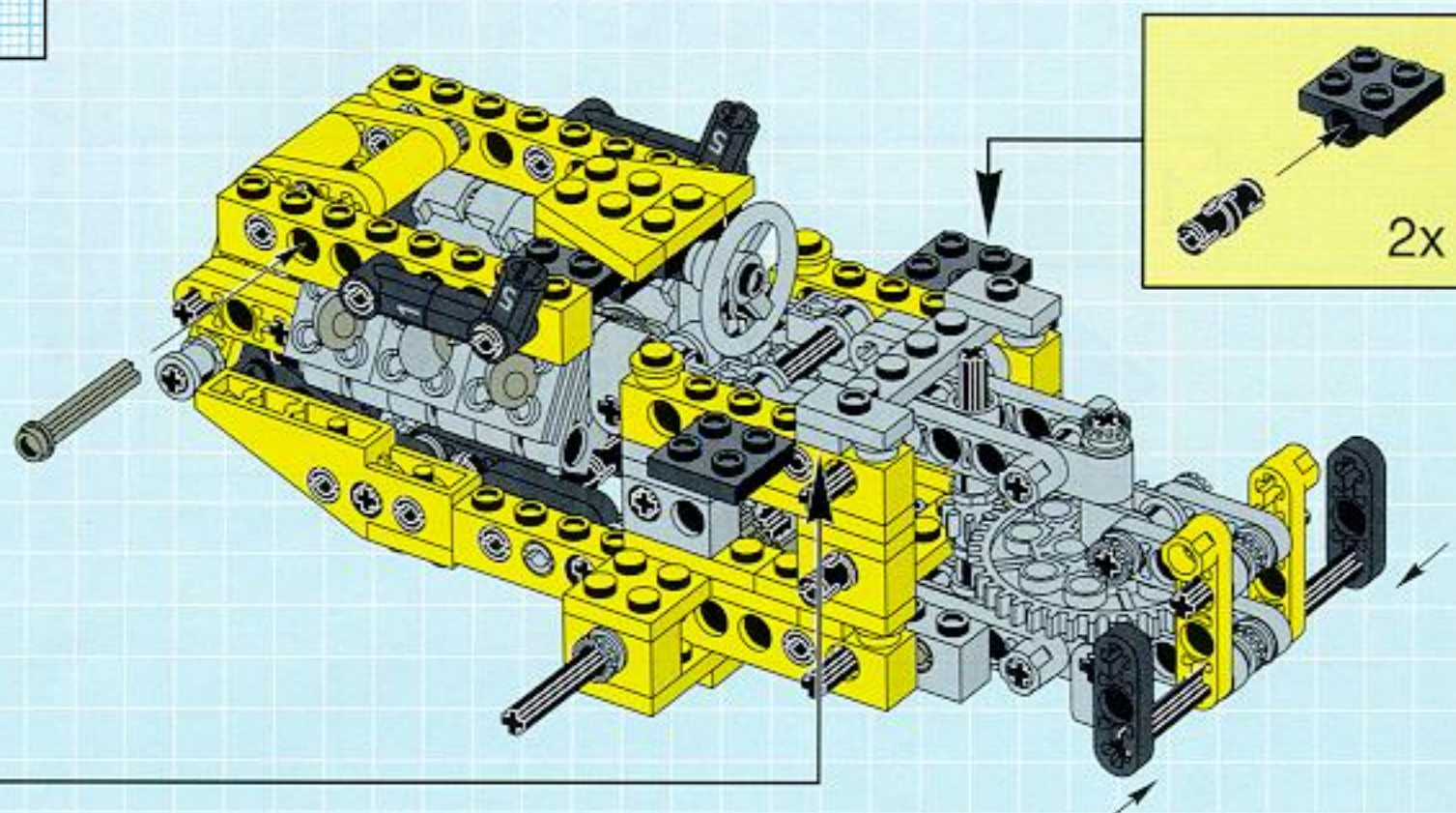


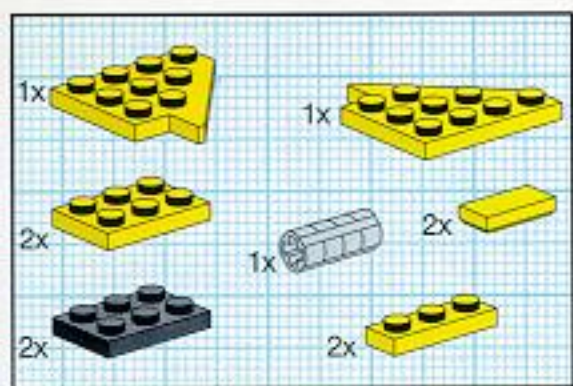


22

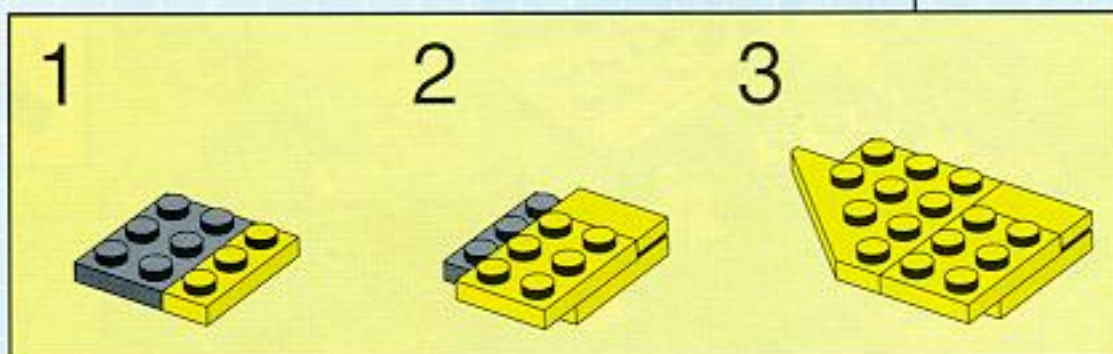
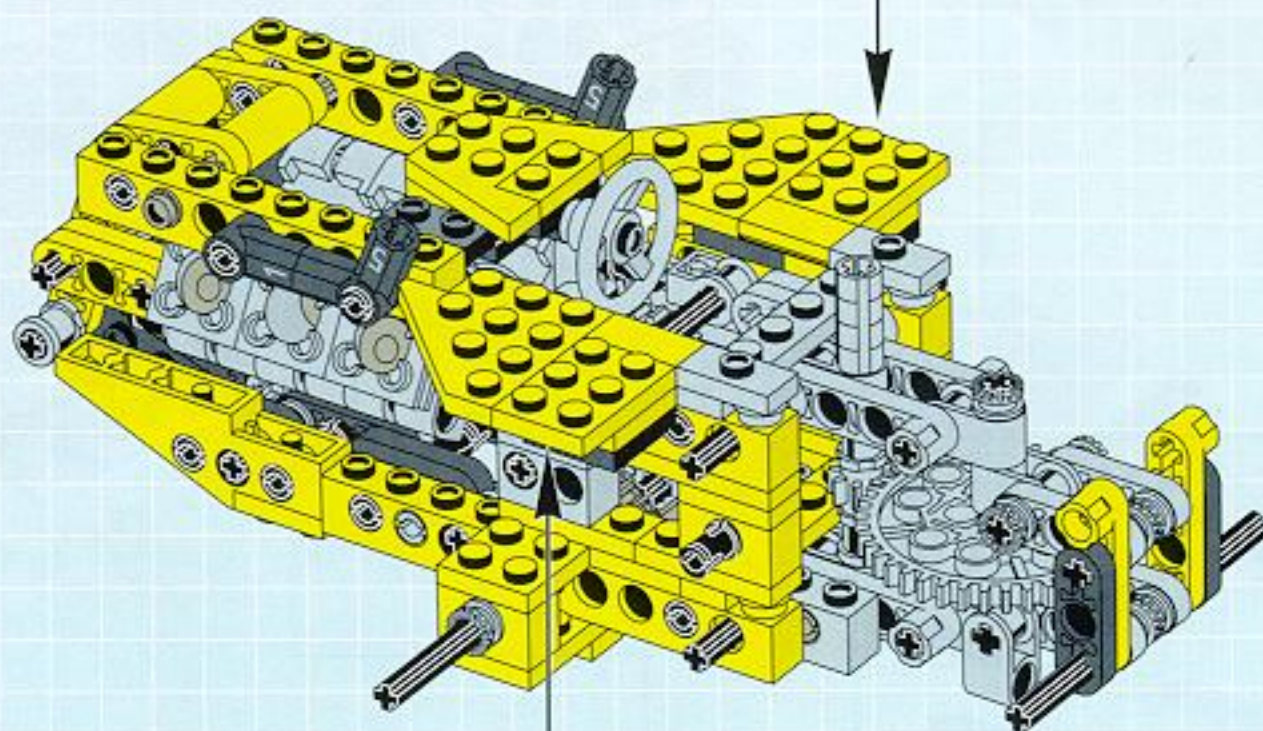
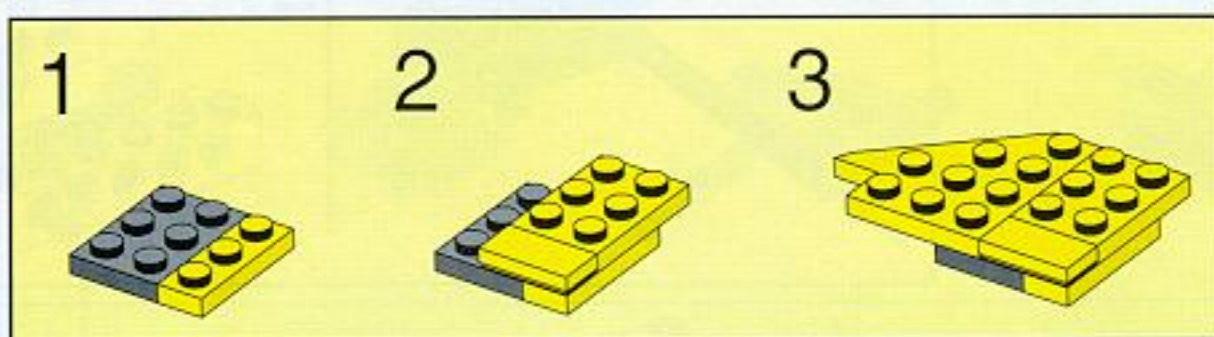


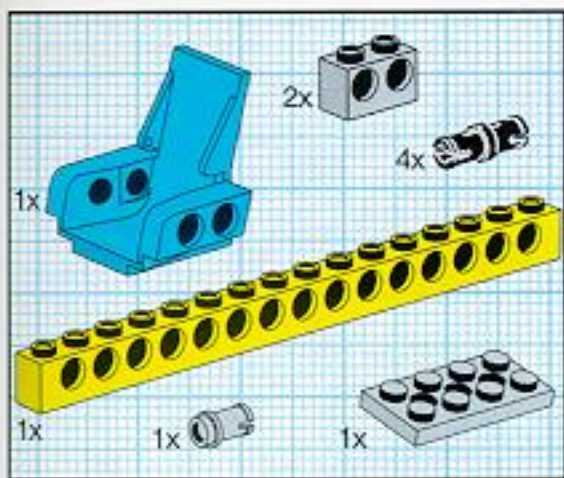
23



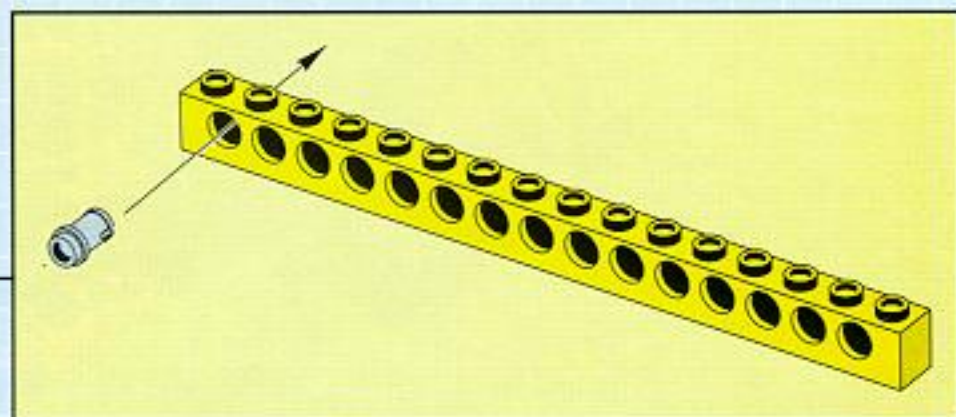
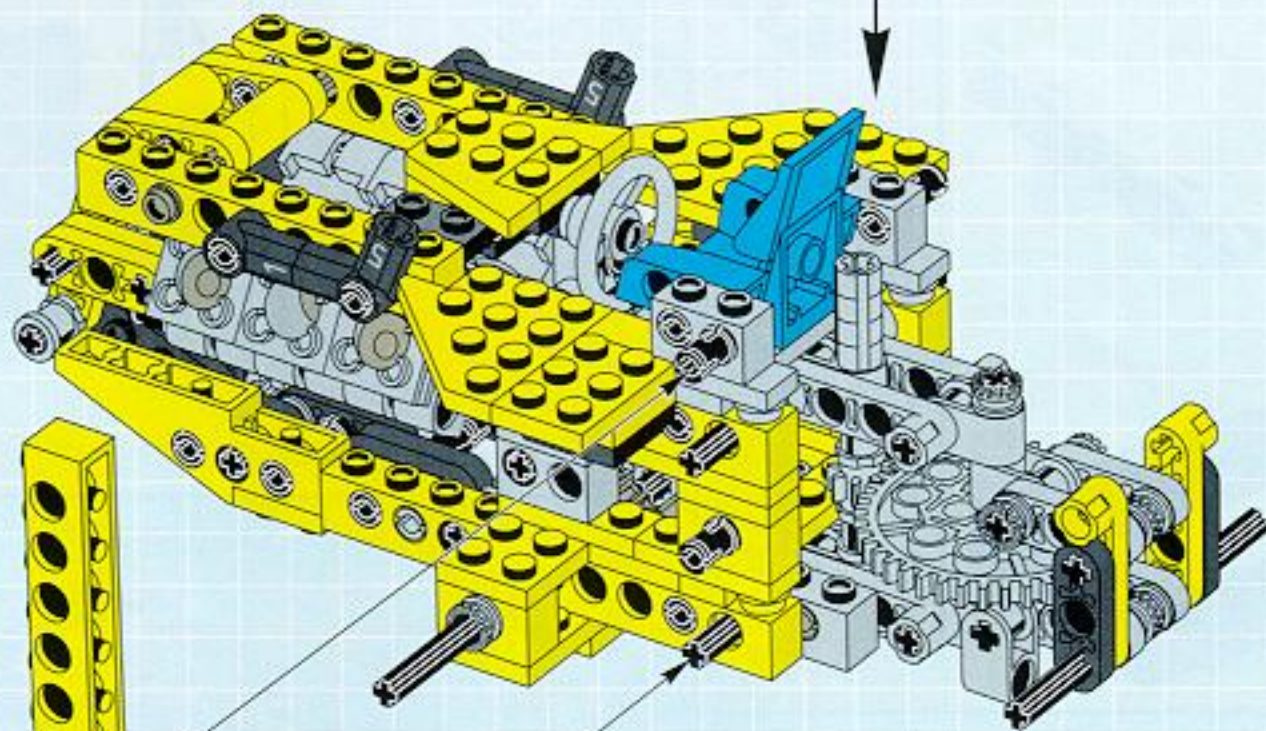
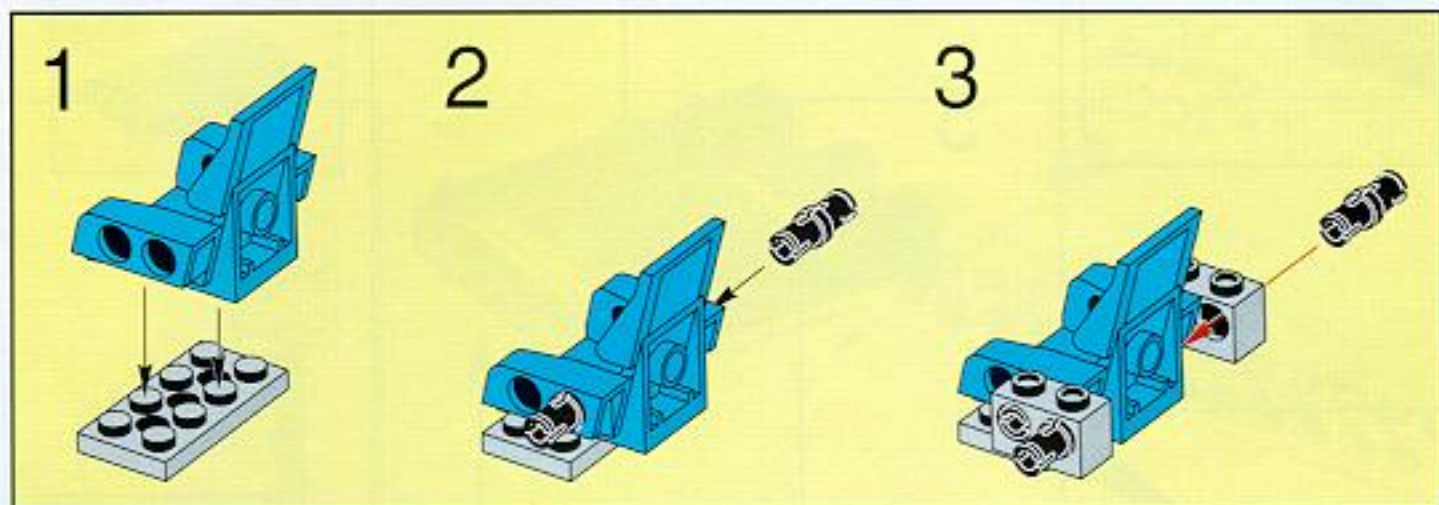


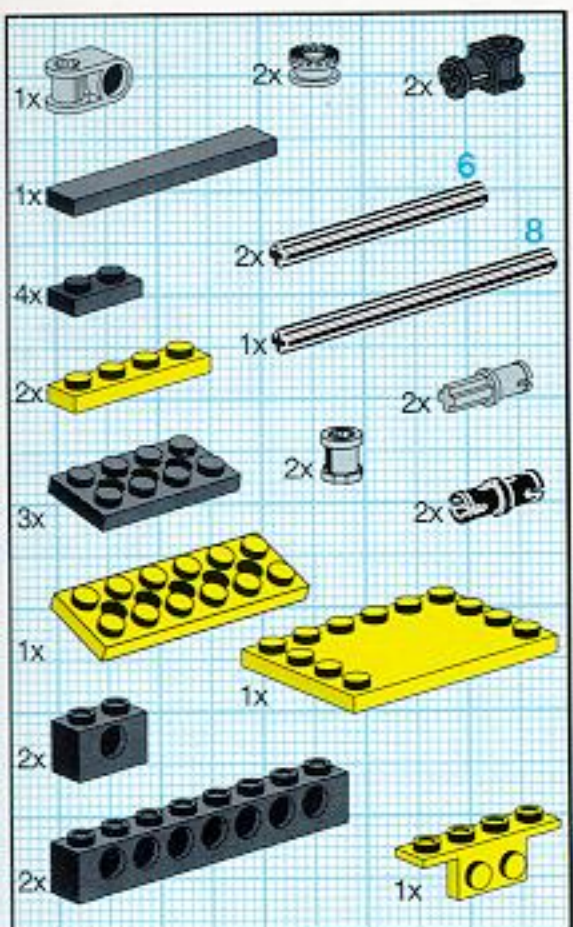
24



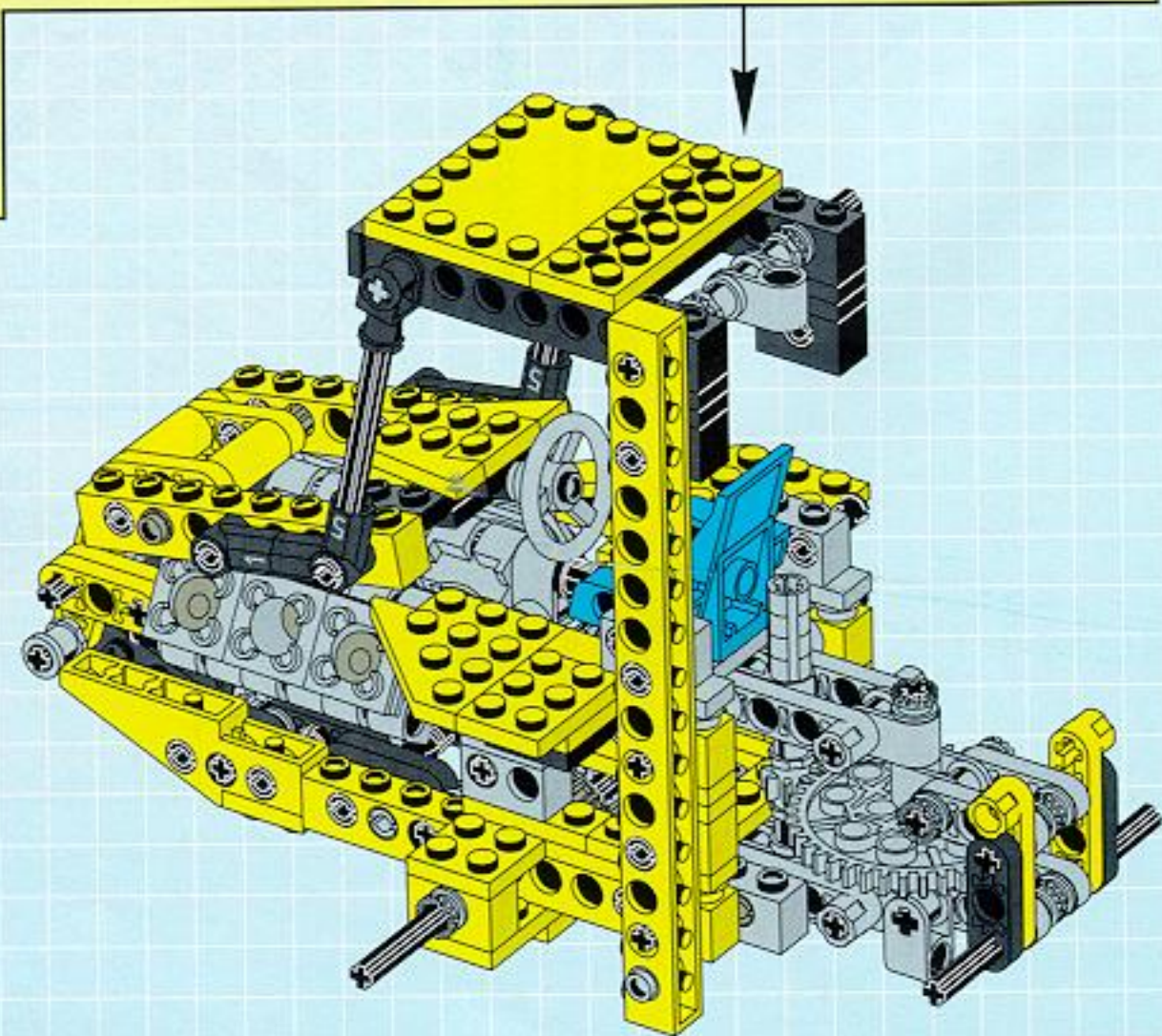
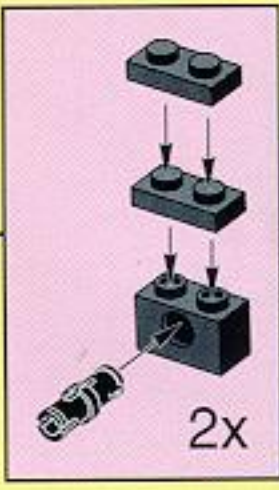
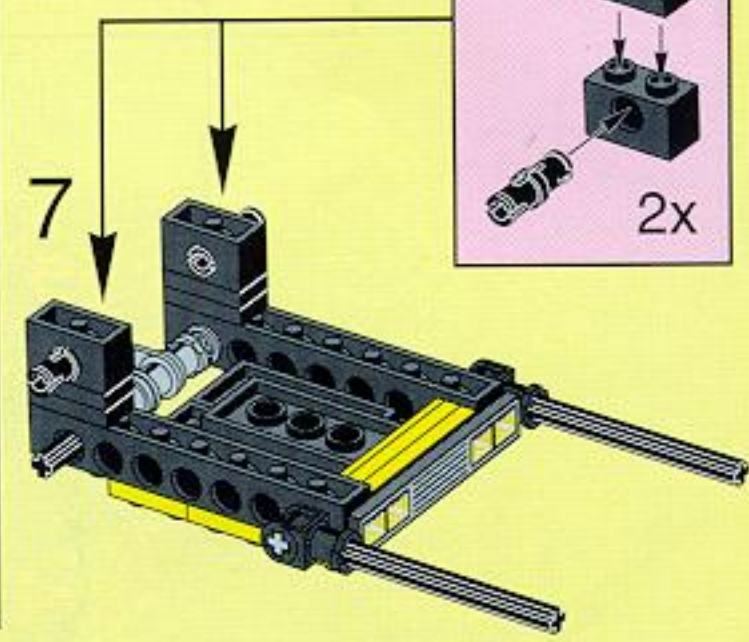
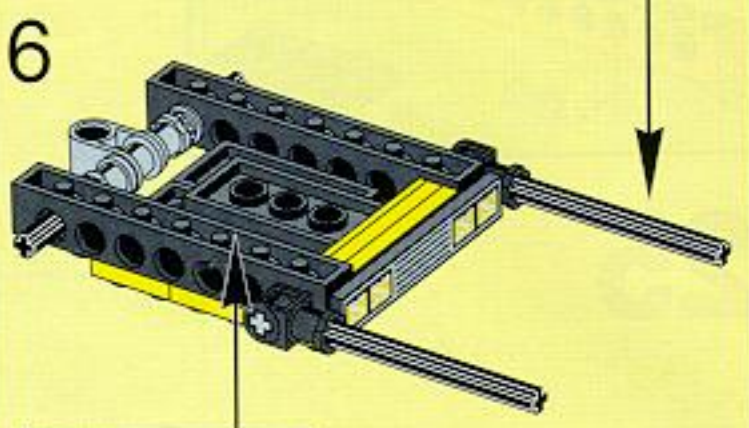
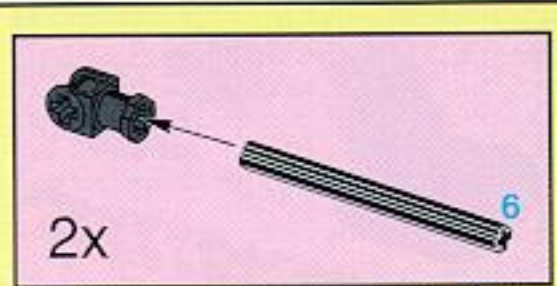
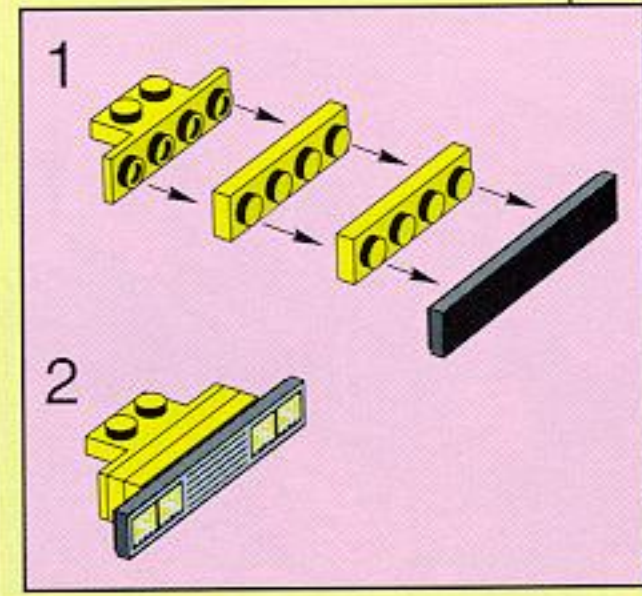
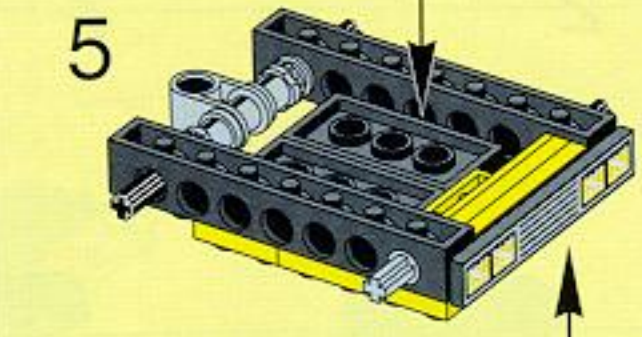
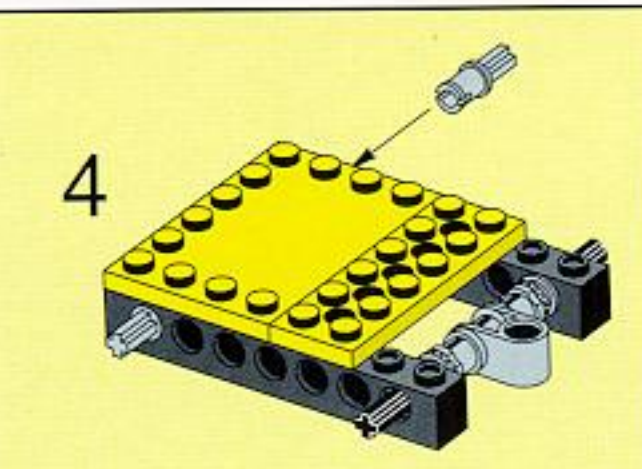
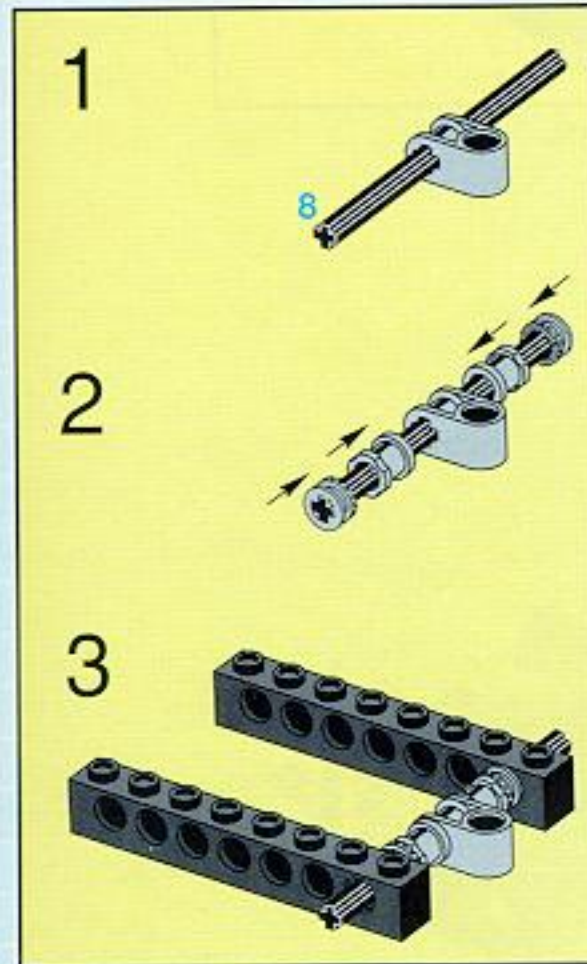


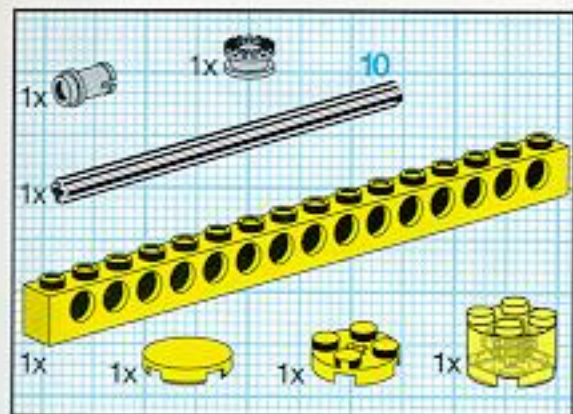
25



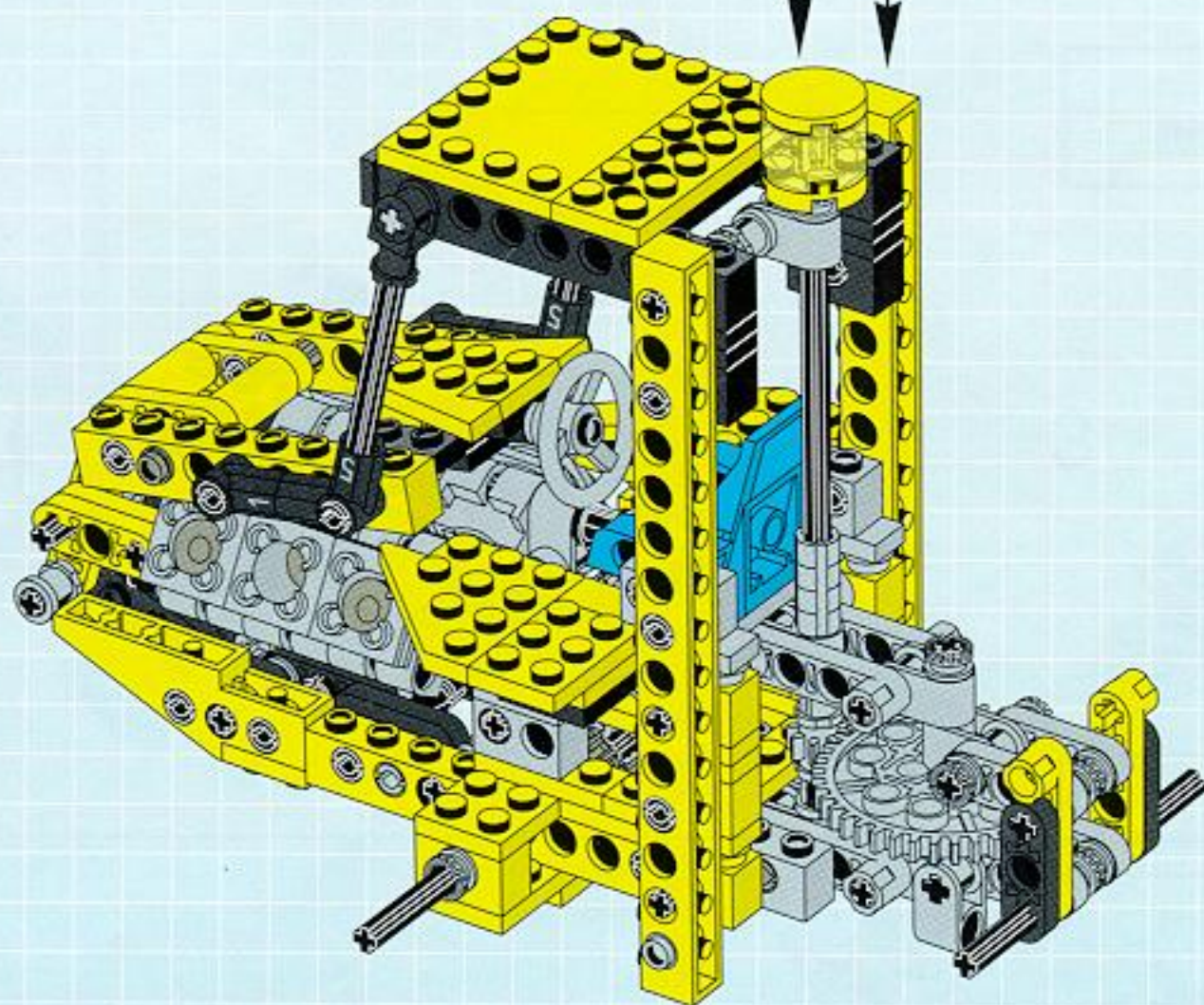
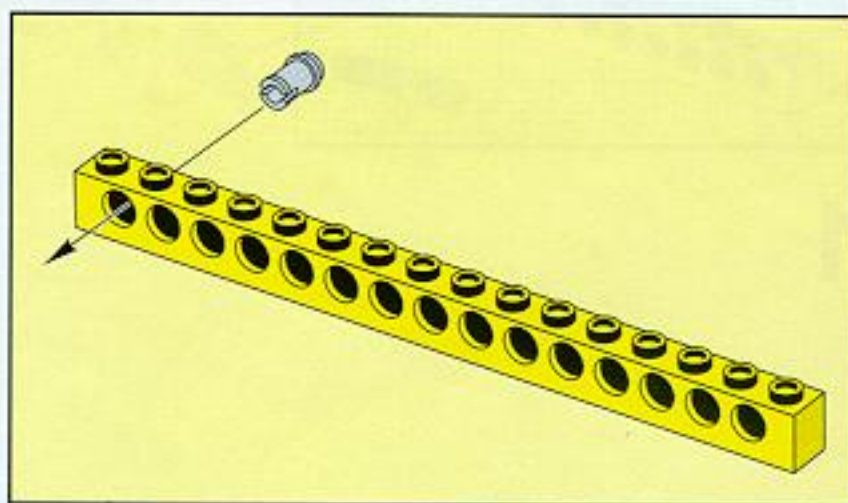
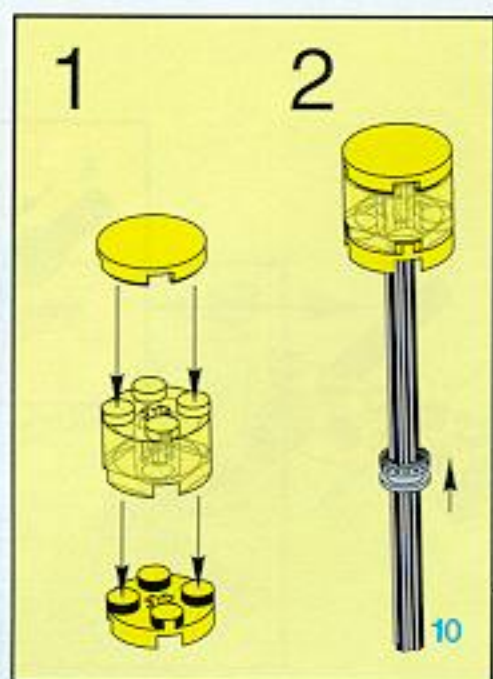


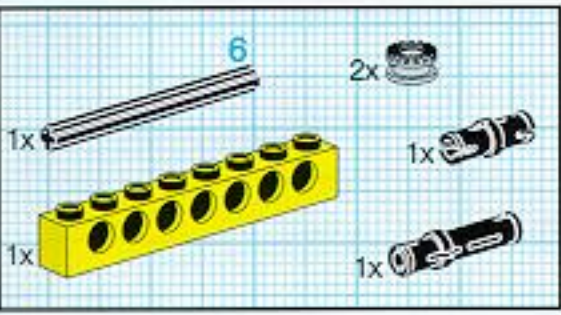
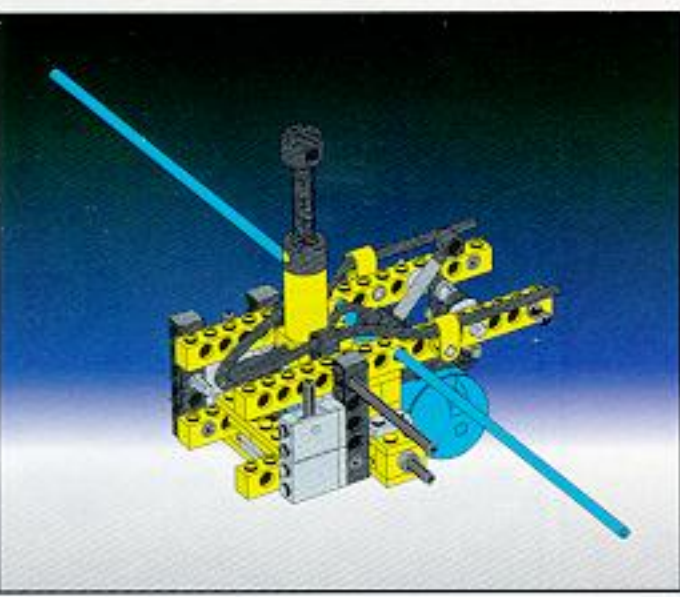
26



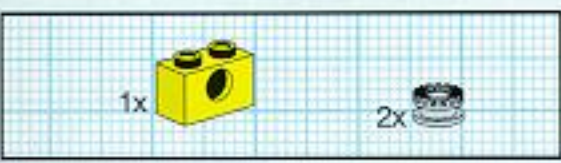
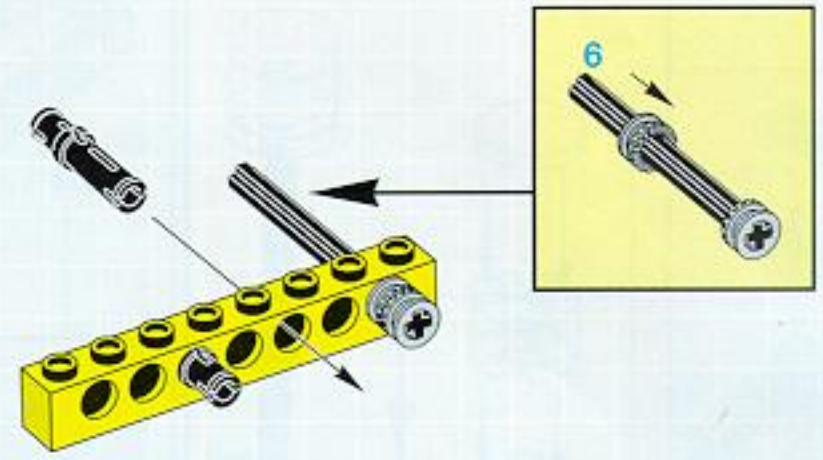


27

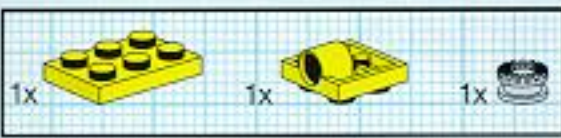
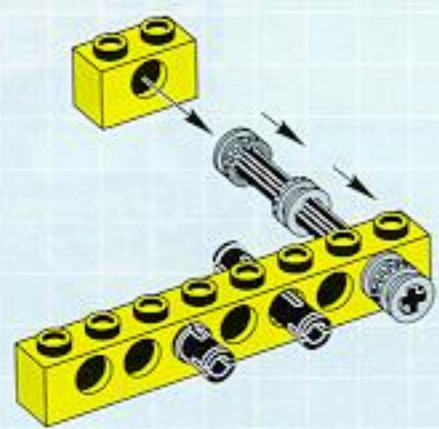




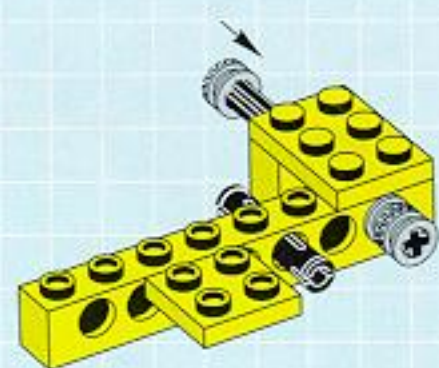
1

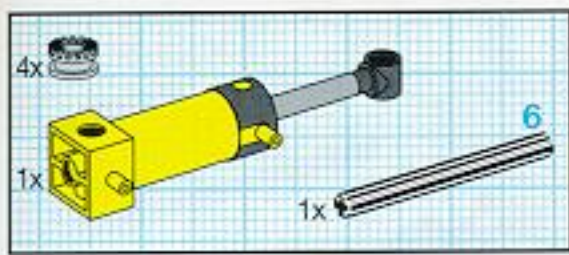


2

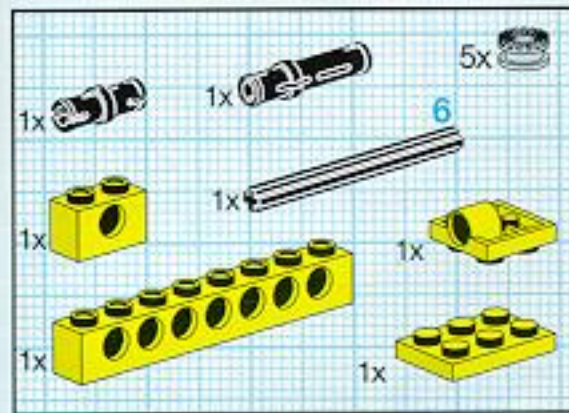
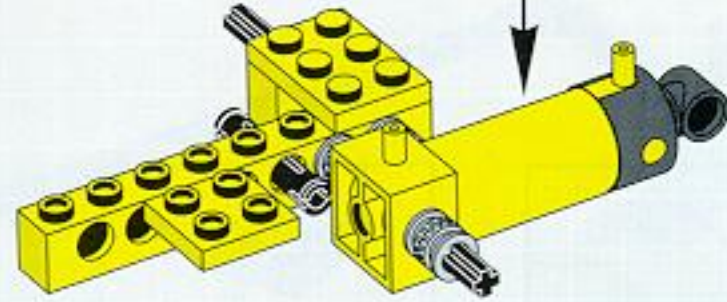
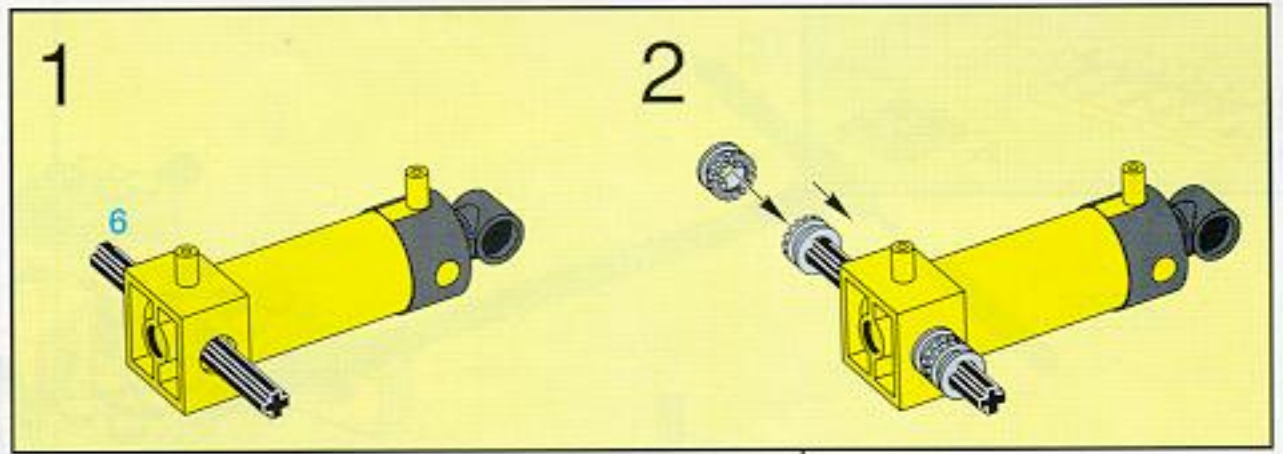


3

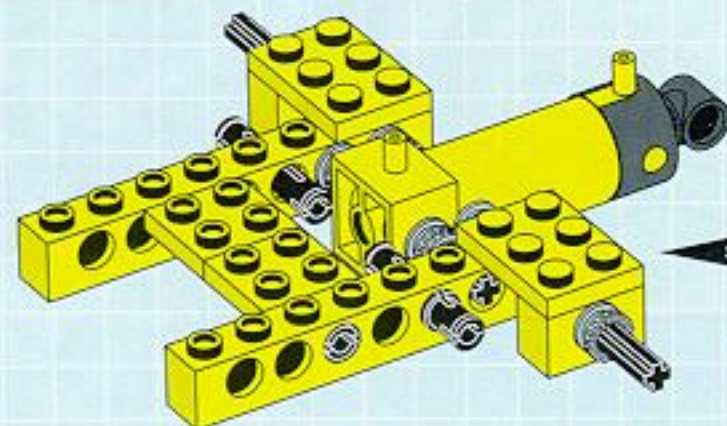
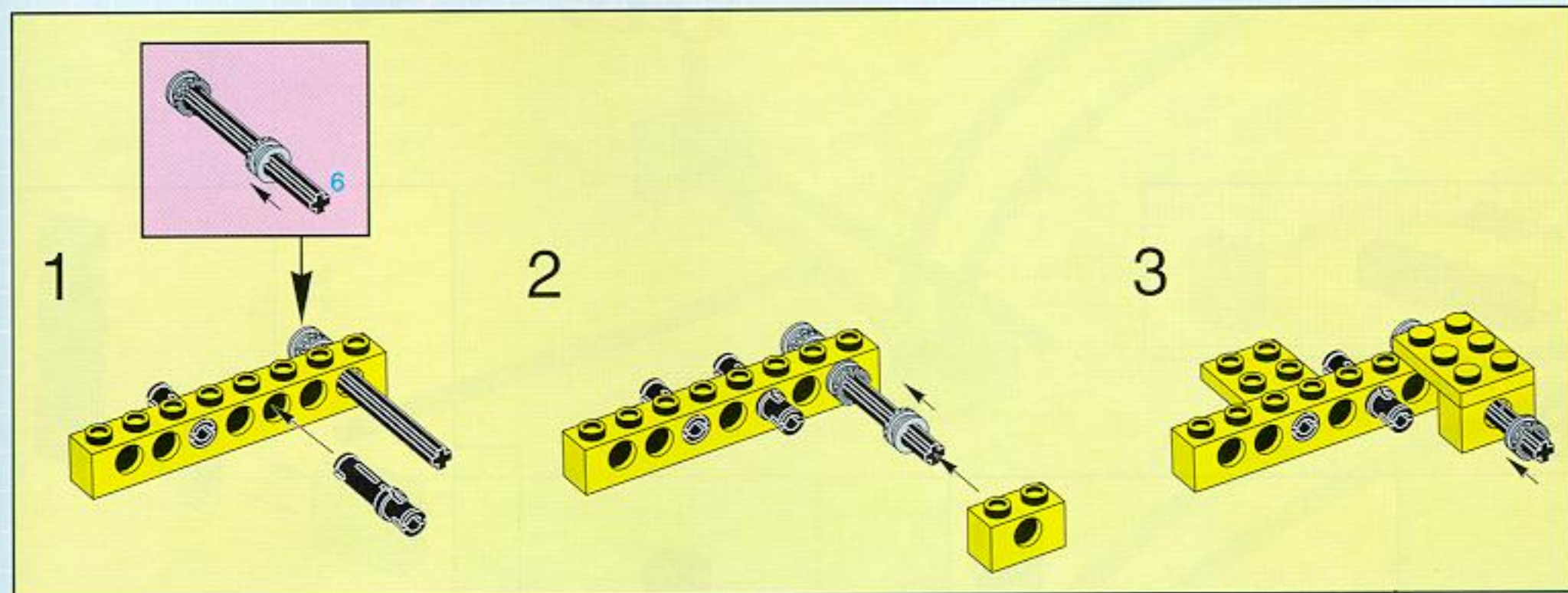


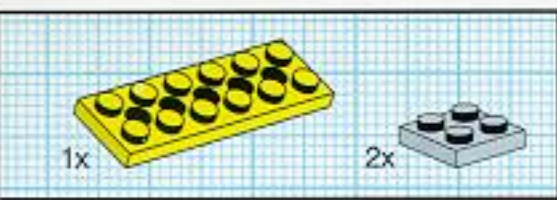


4

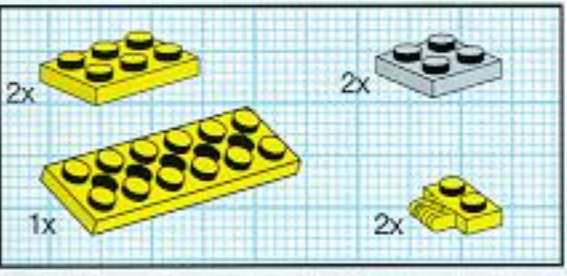
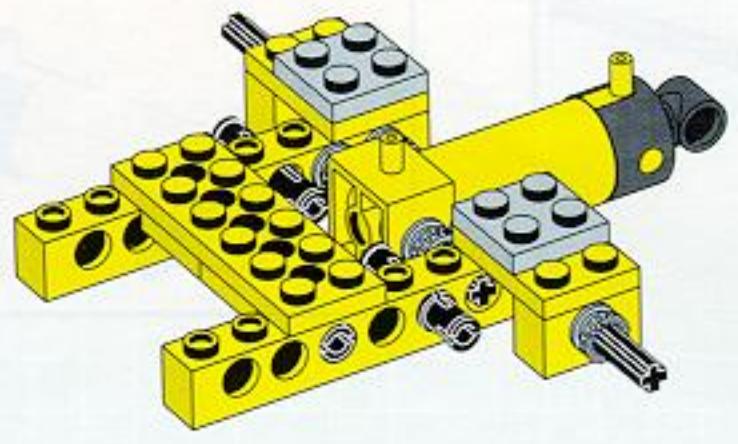


5

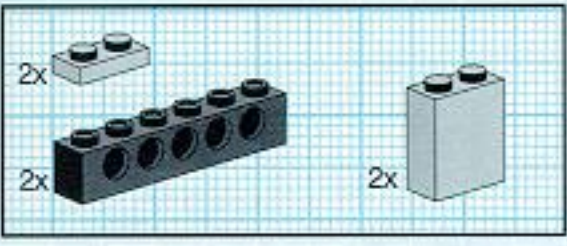
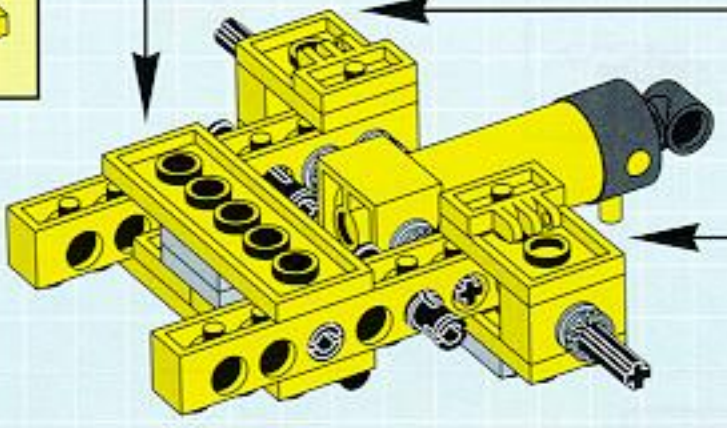
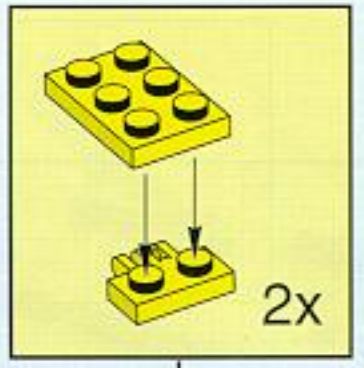
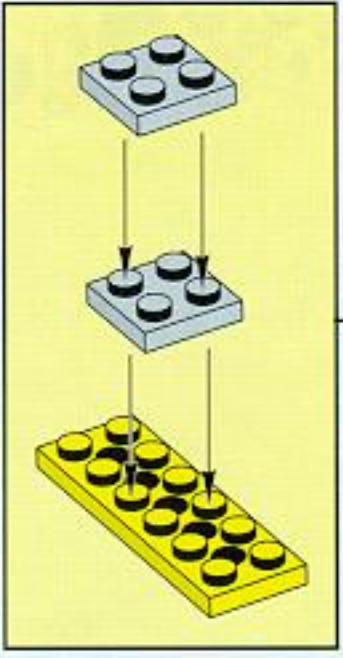




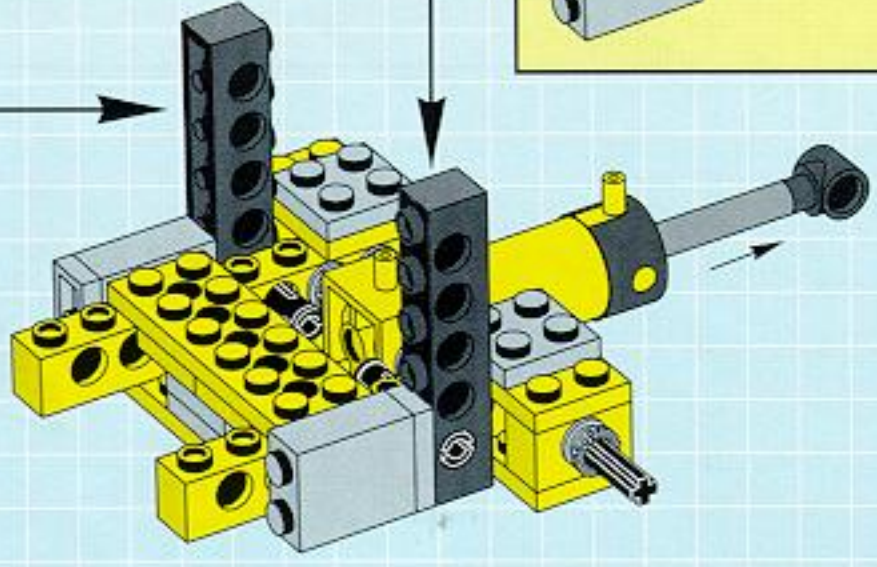
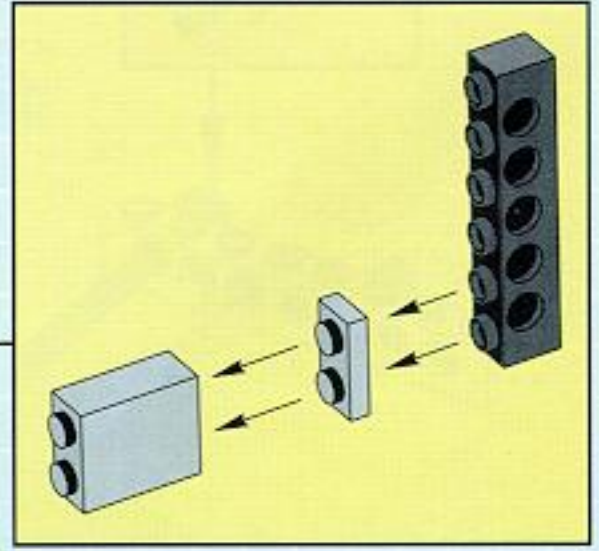
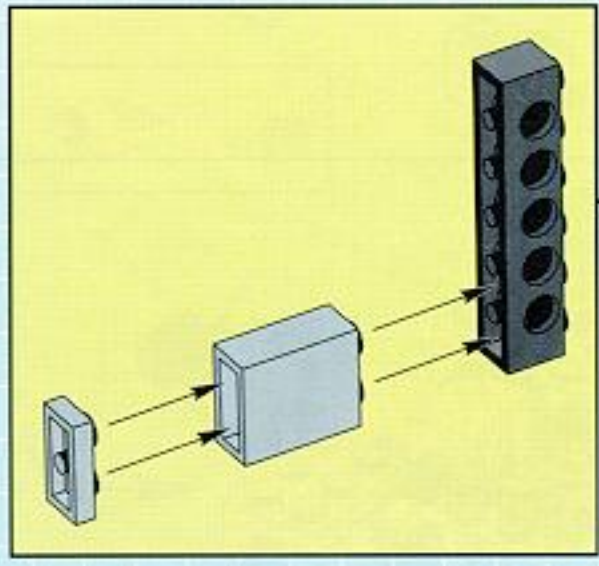
6

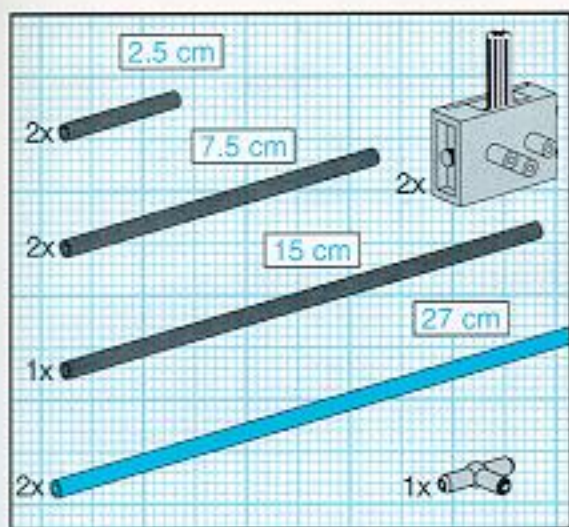


7



8





9

1

15 cm

2.5 cm

2.5 cm

2

27 cm

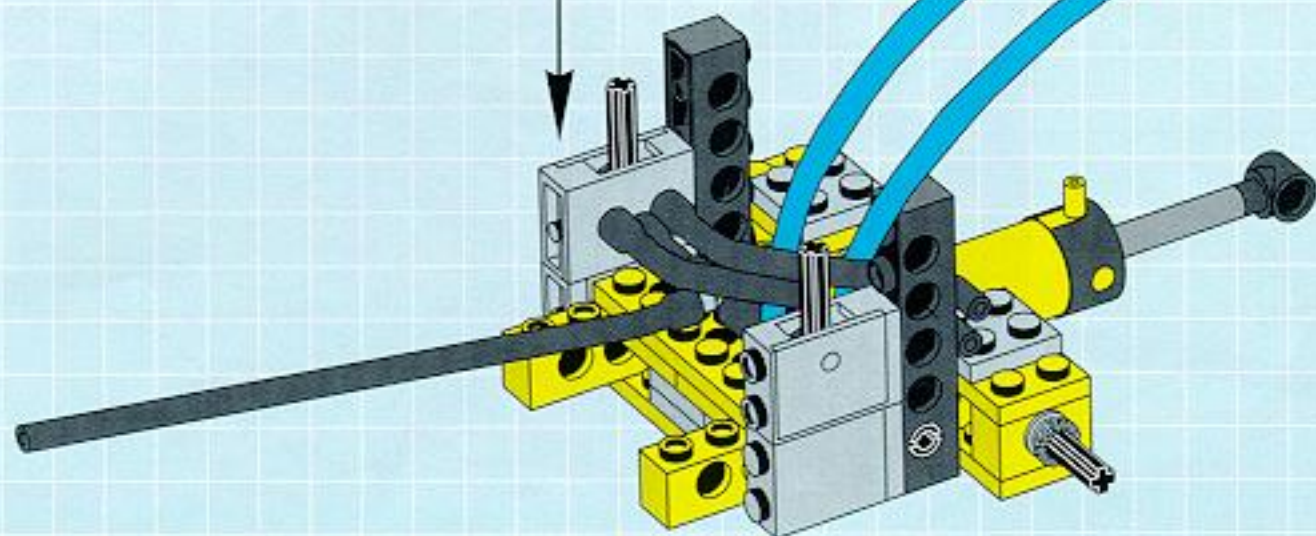
27 cm

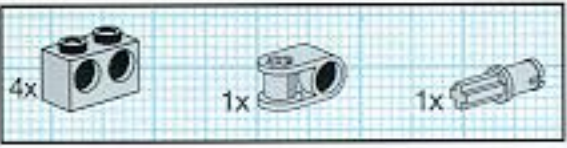
3

4

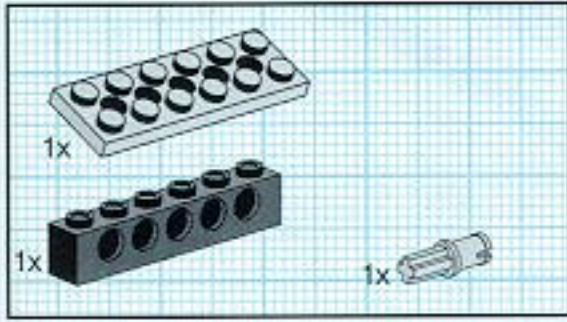
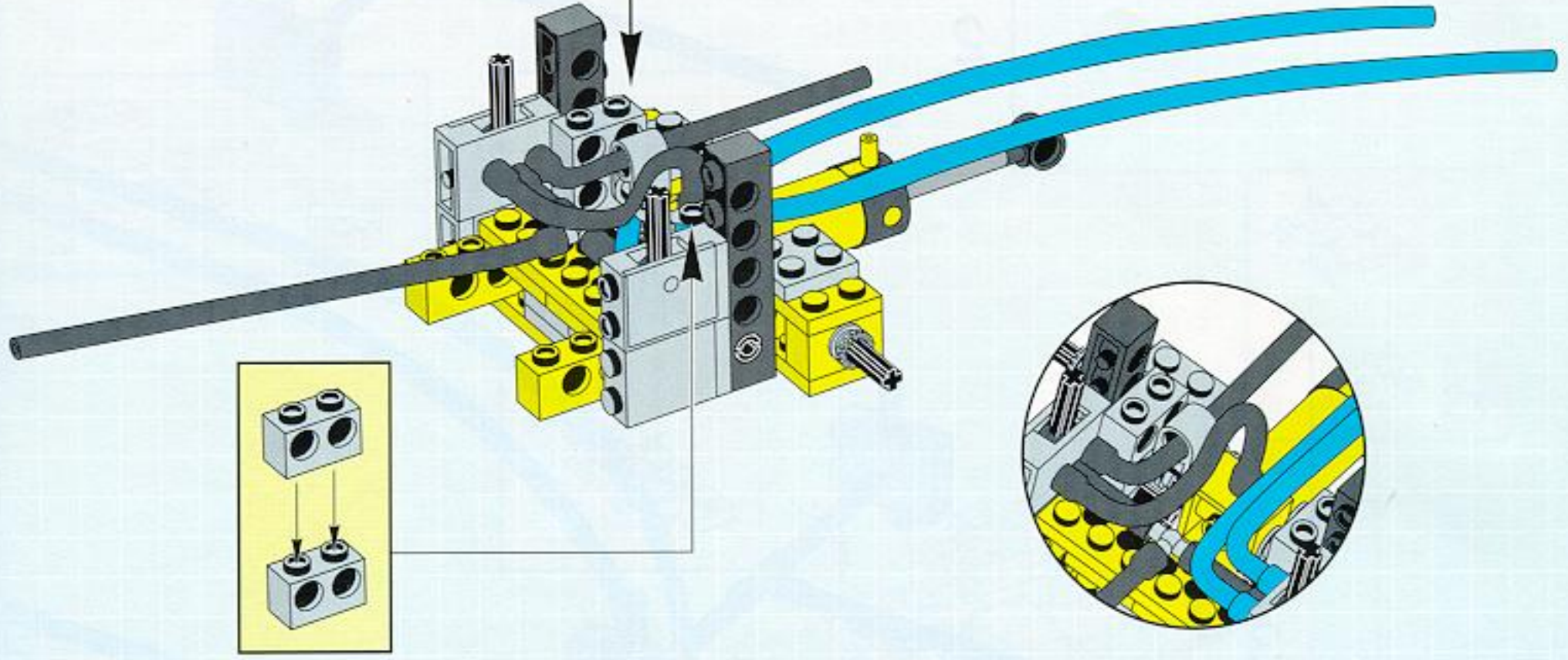
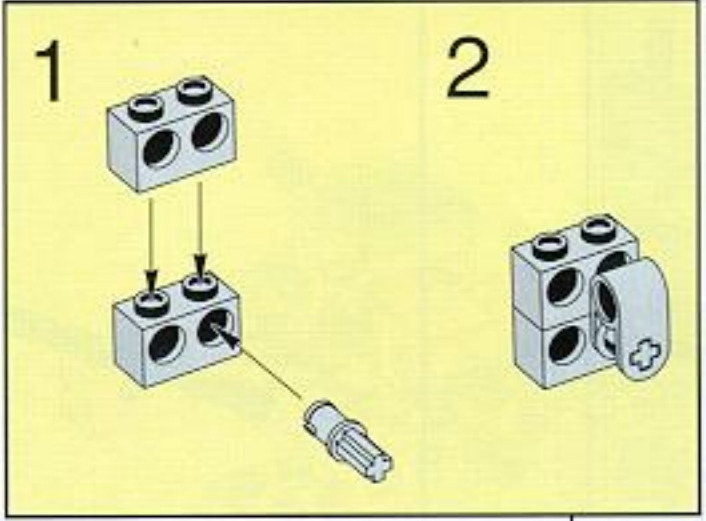
7.5 cm

7.5 cm

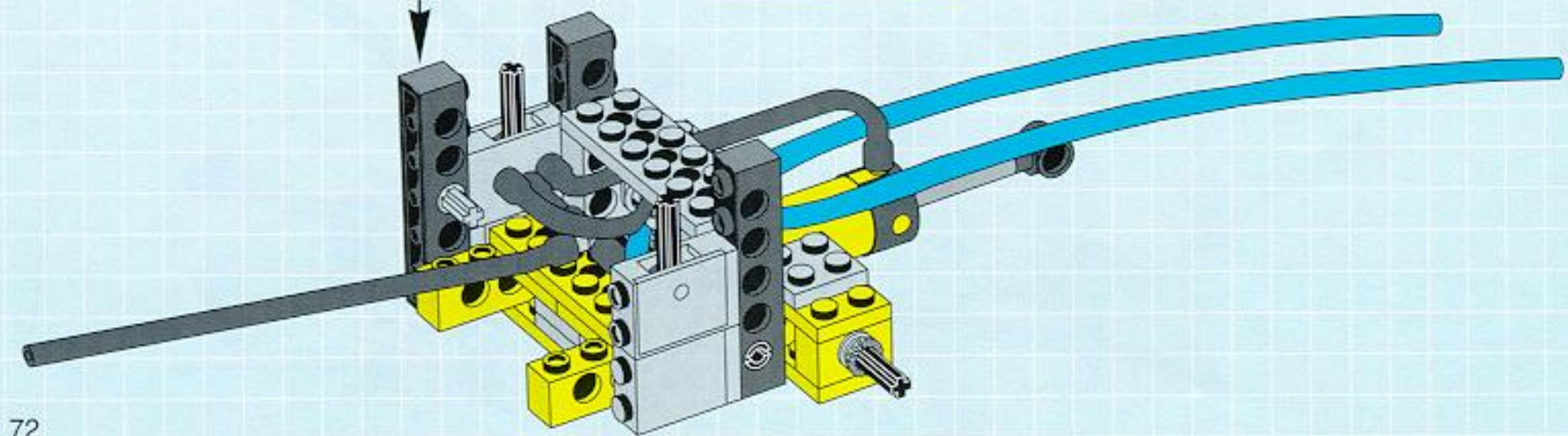
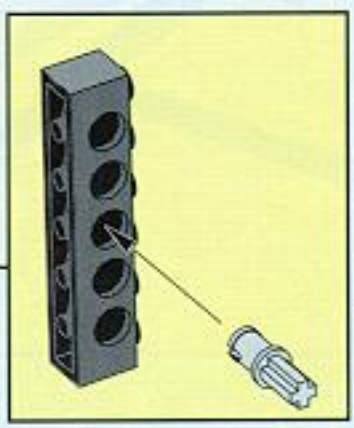


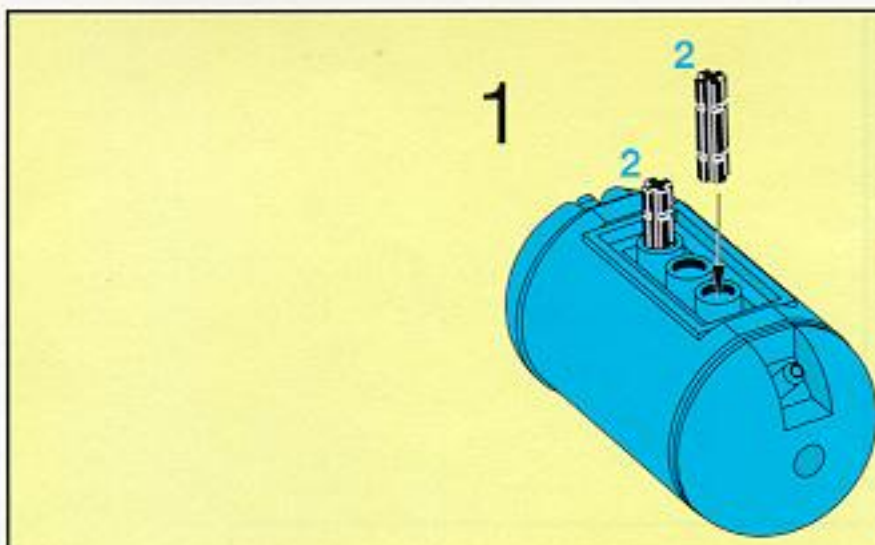
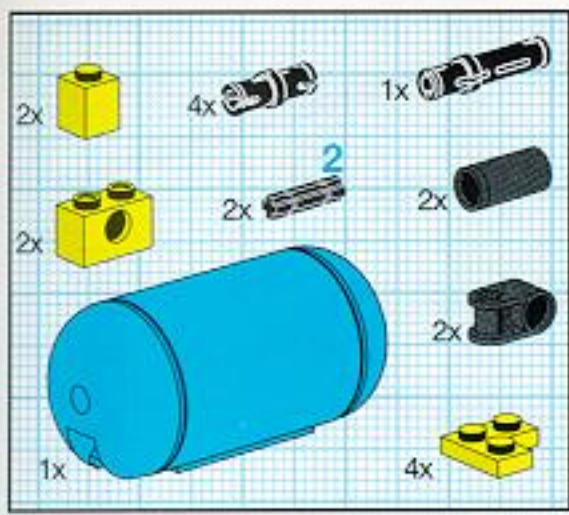


10

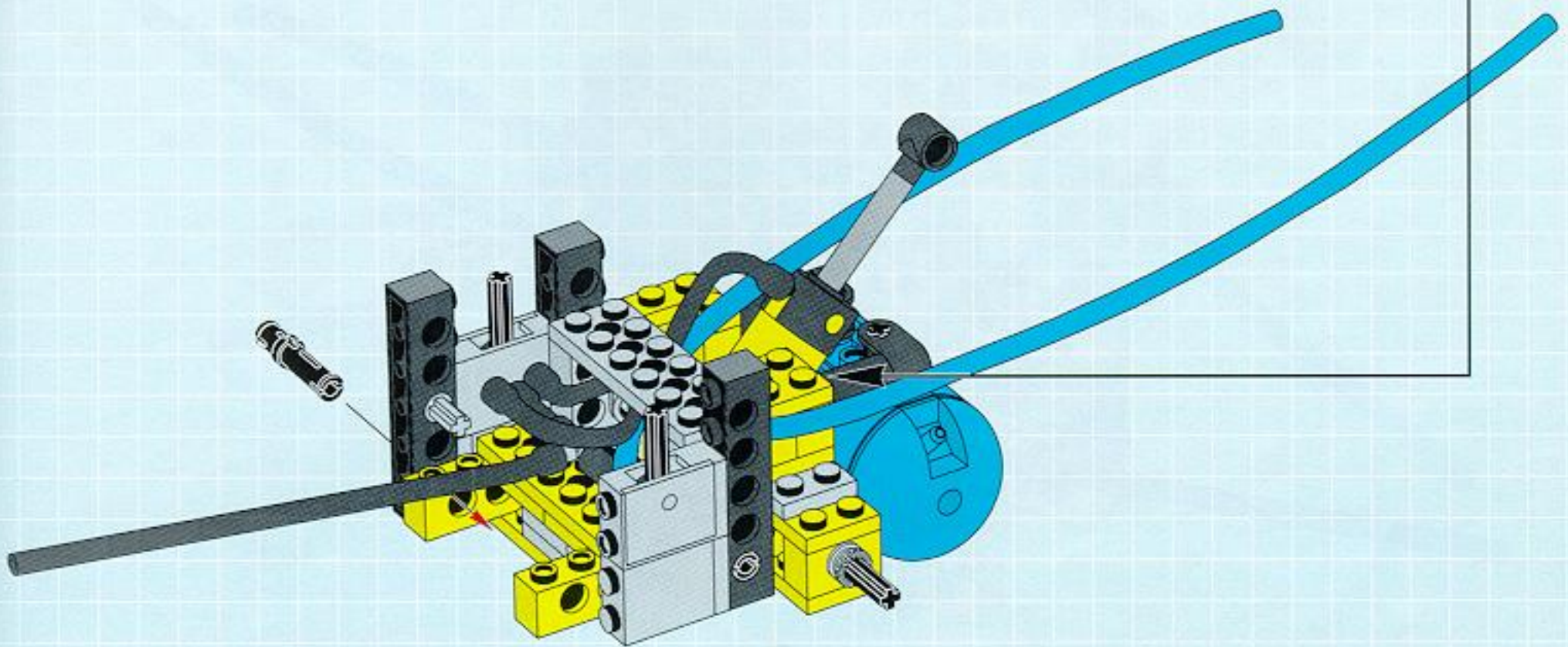
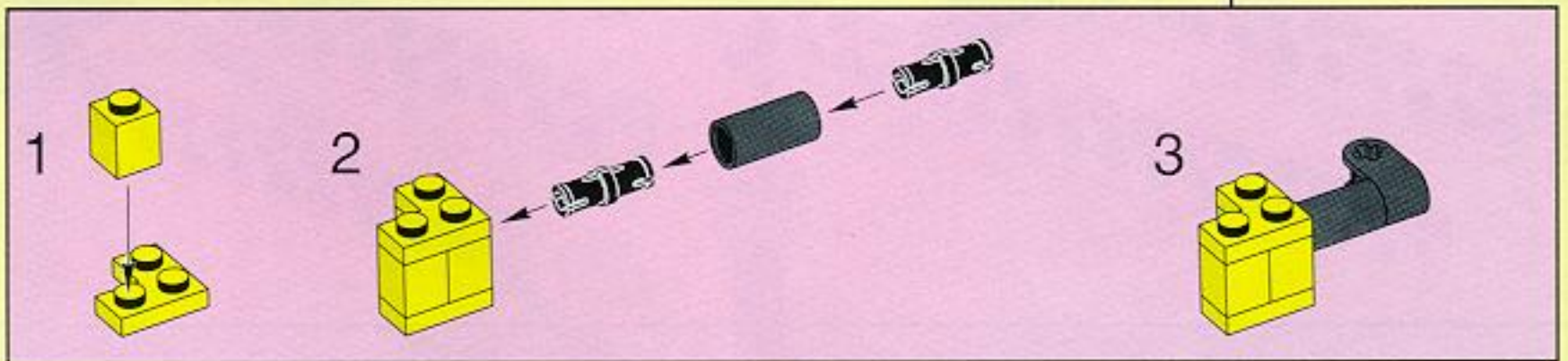
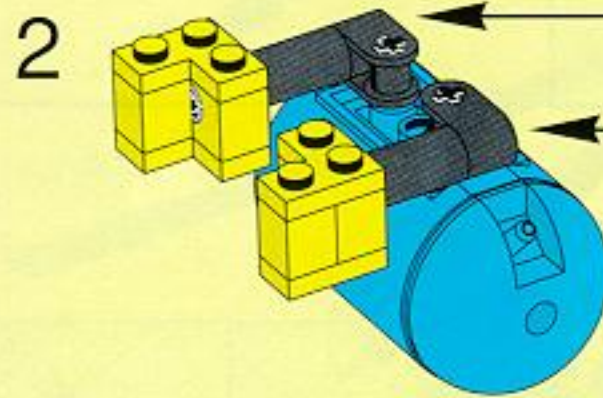
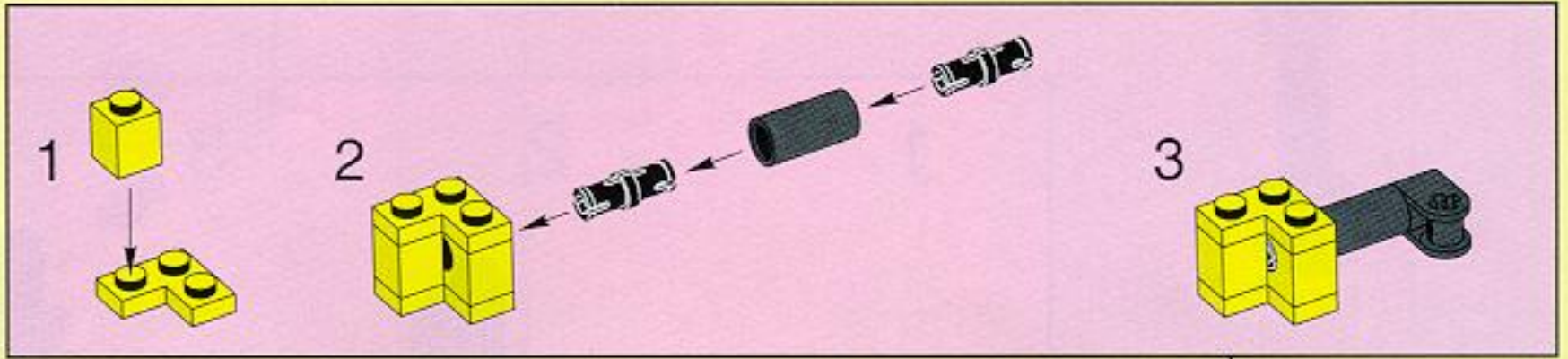


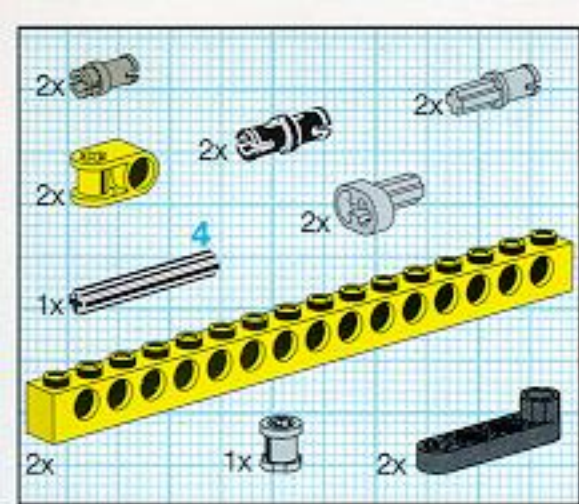
11



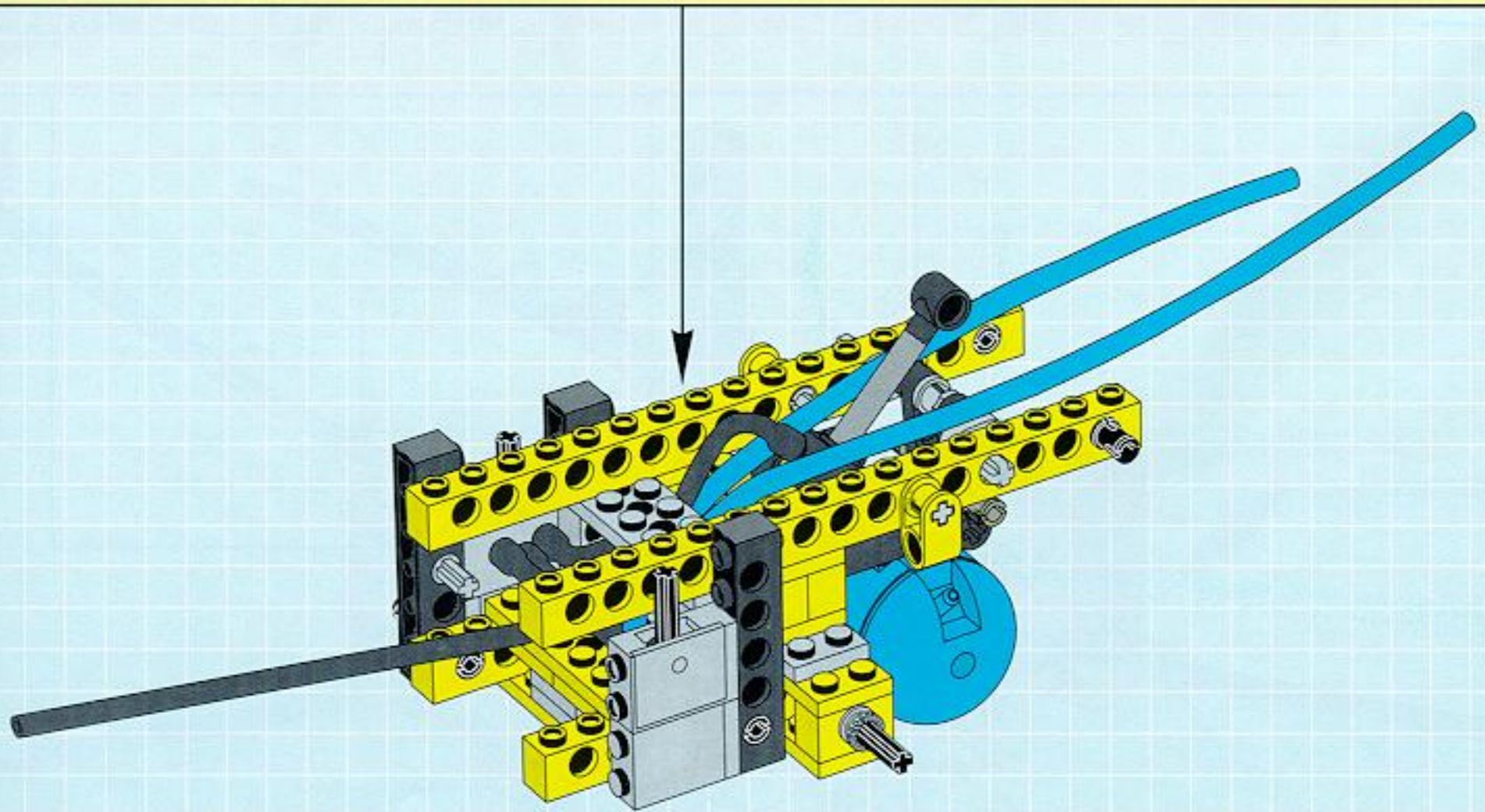
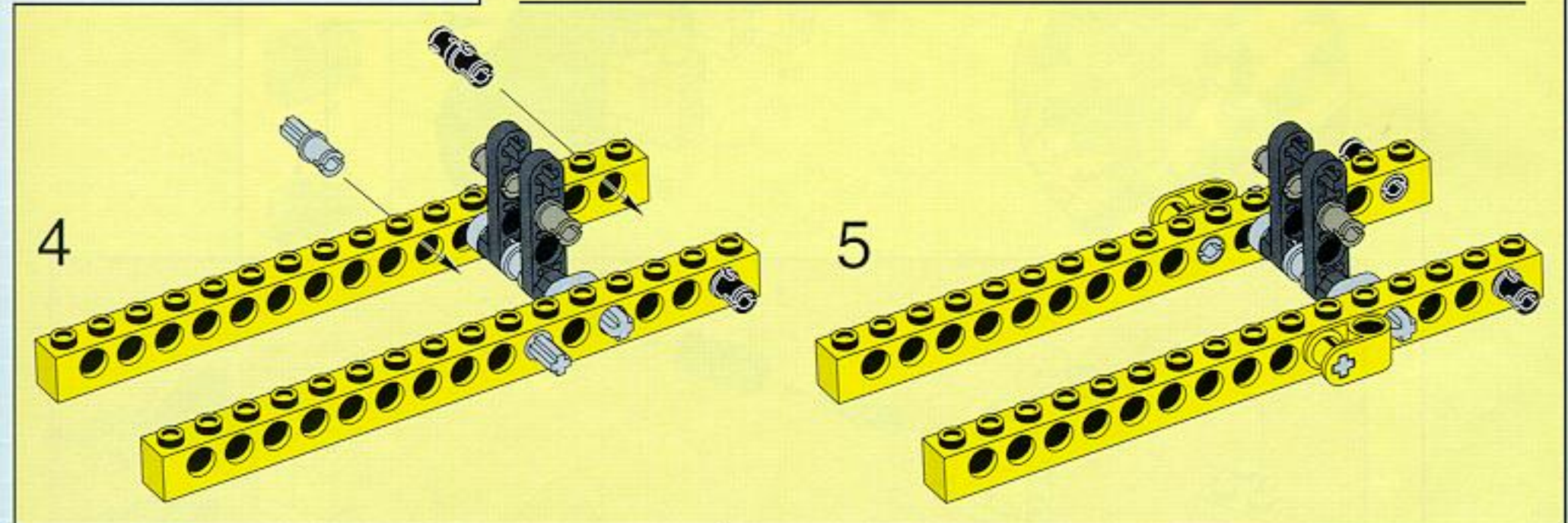
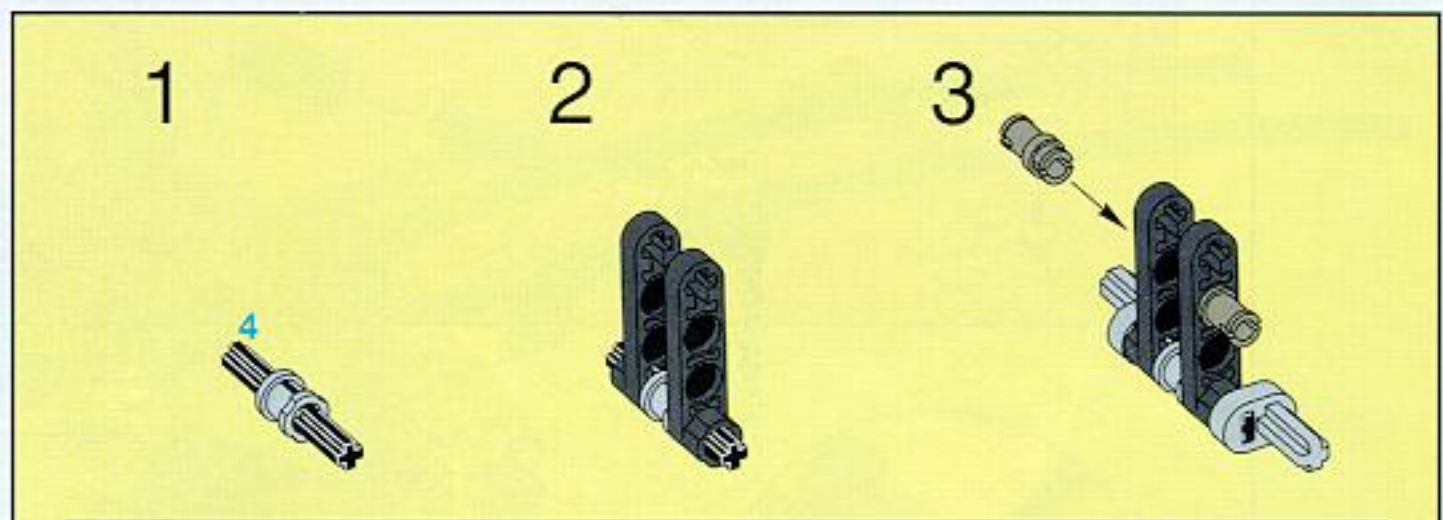


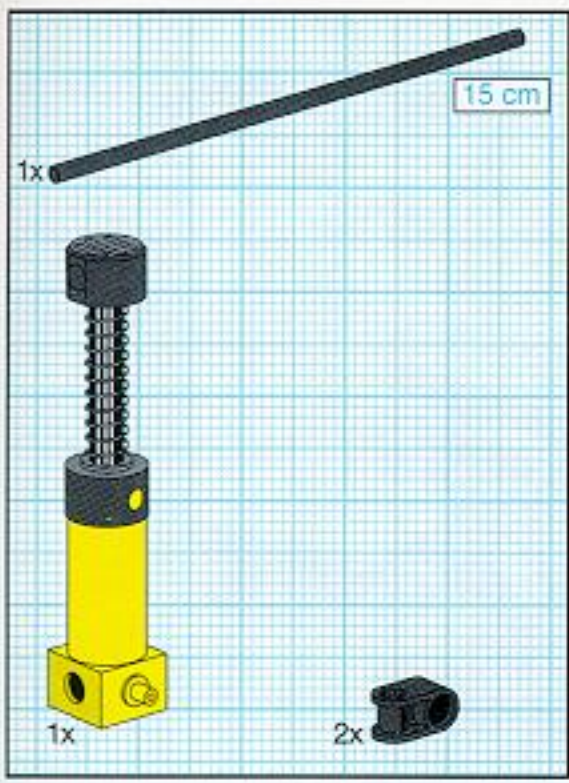
12



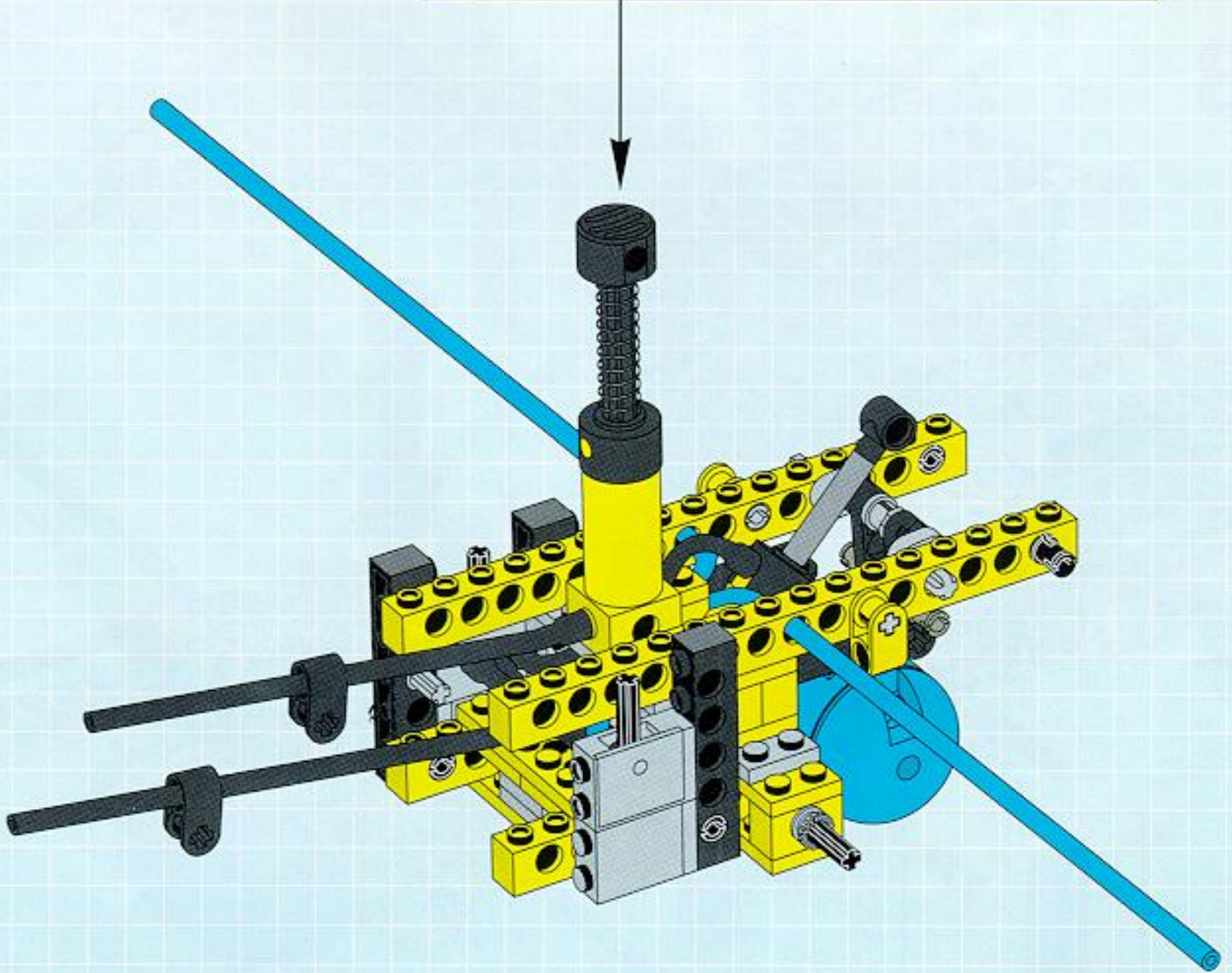
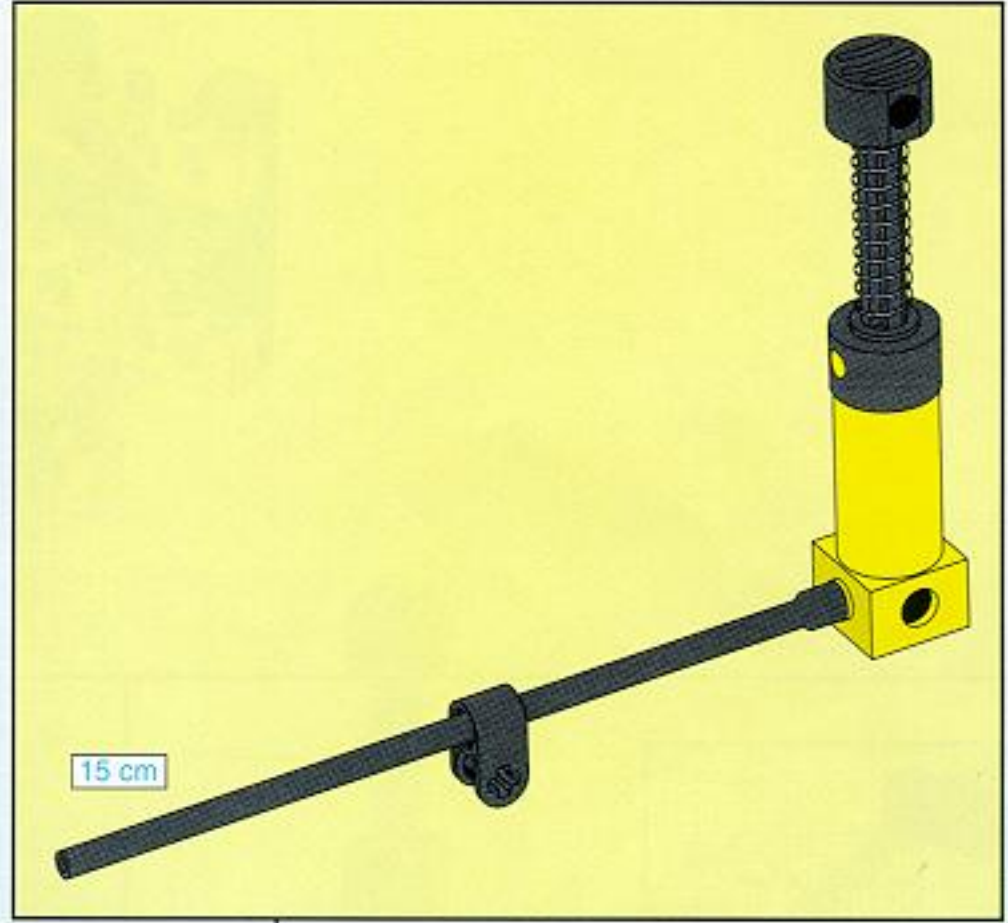


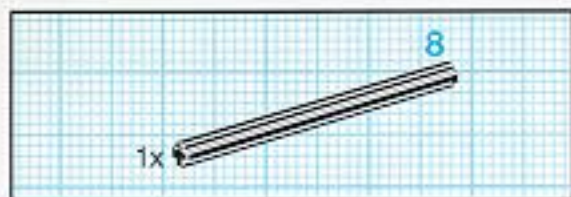
13



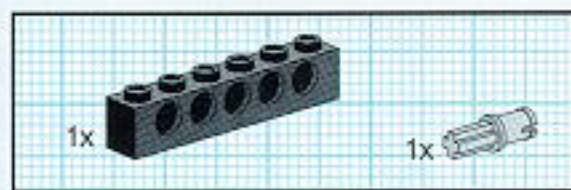
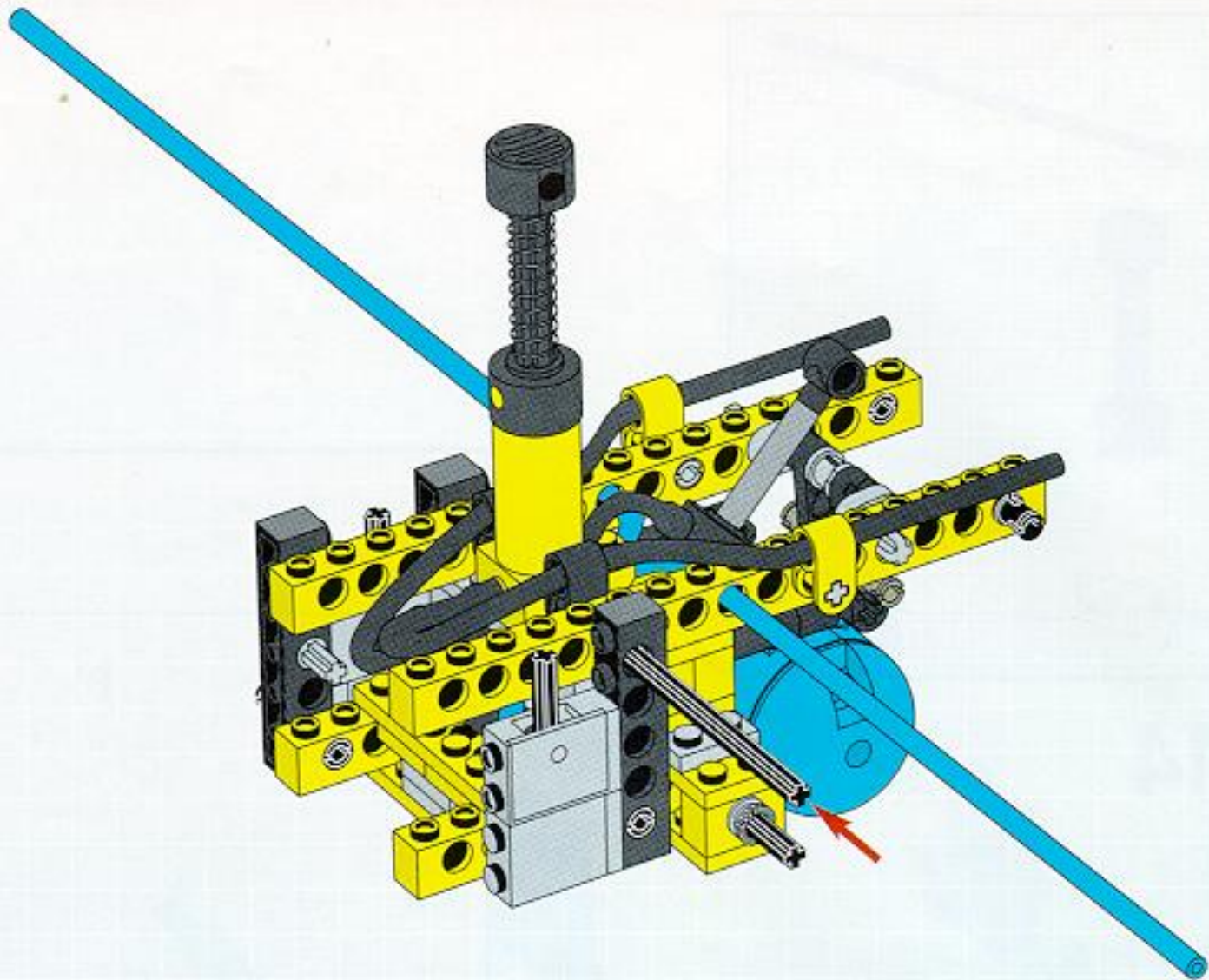


14

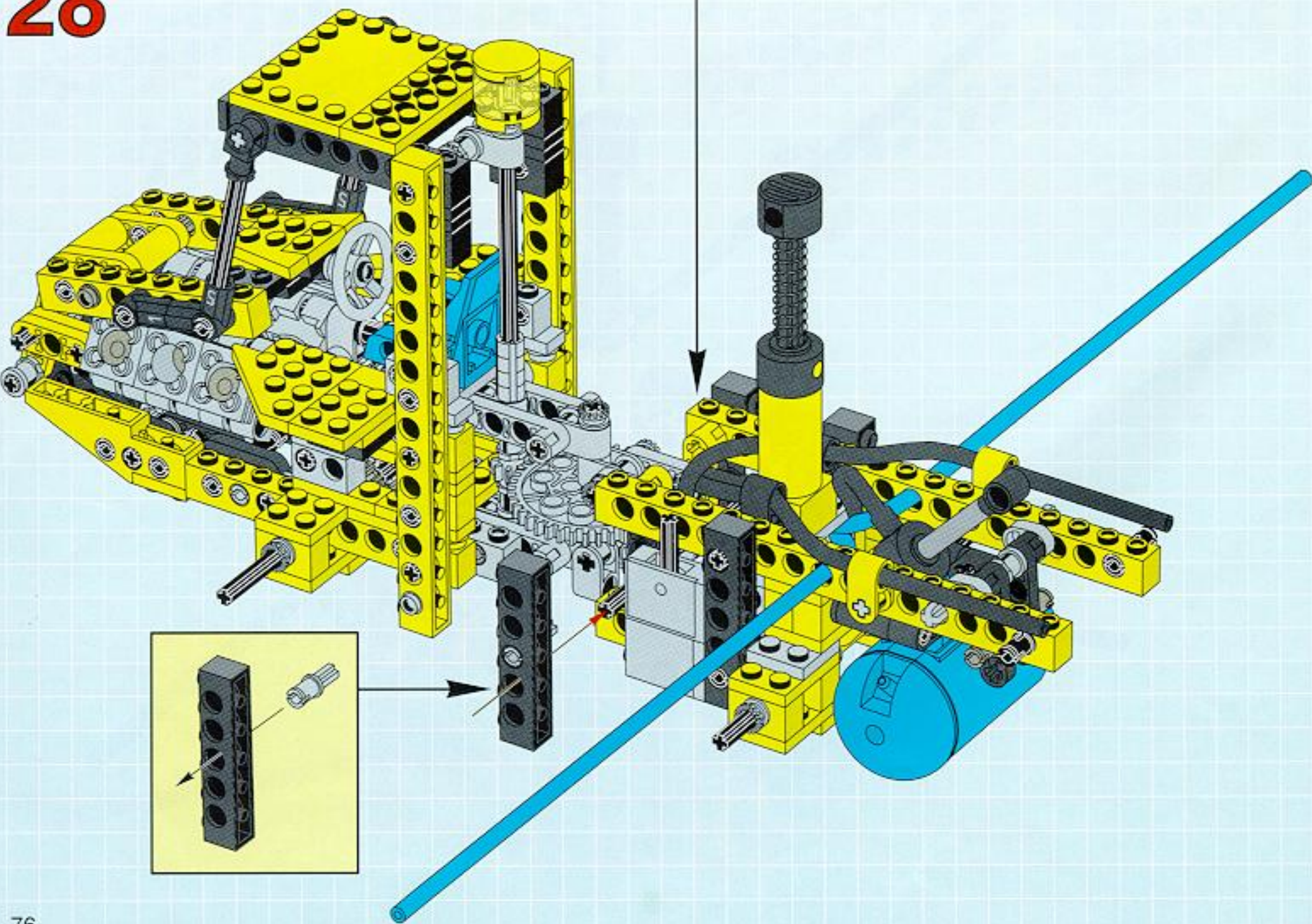


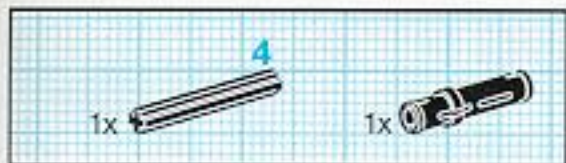


15

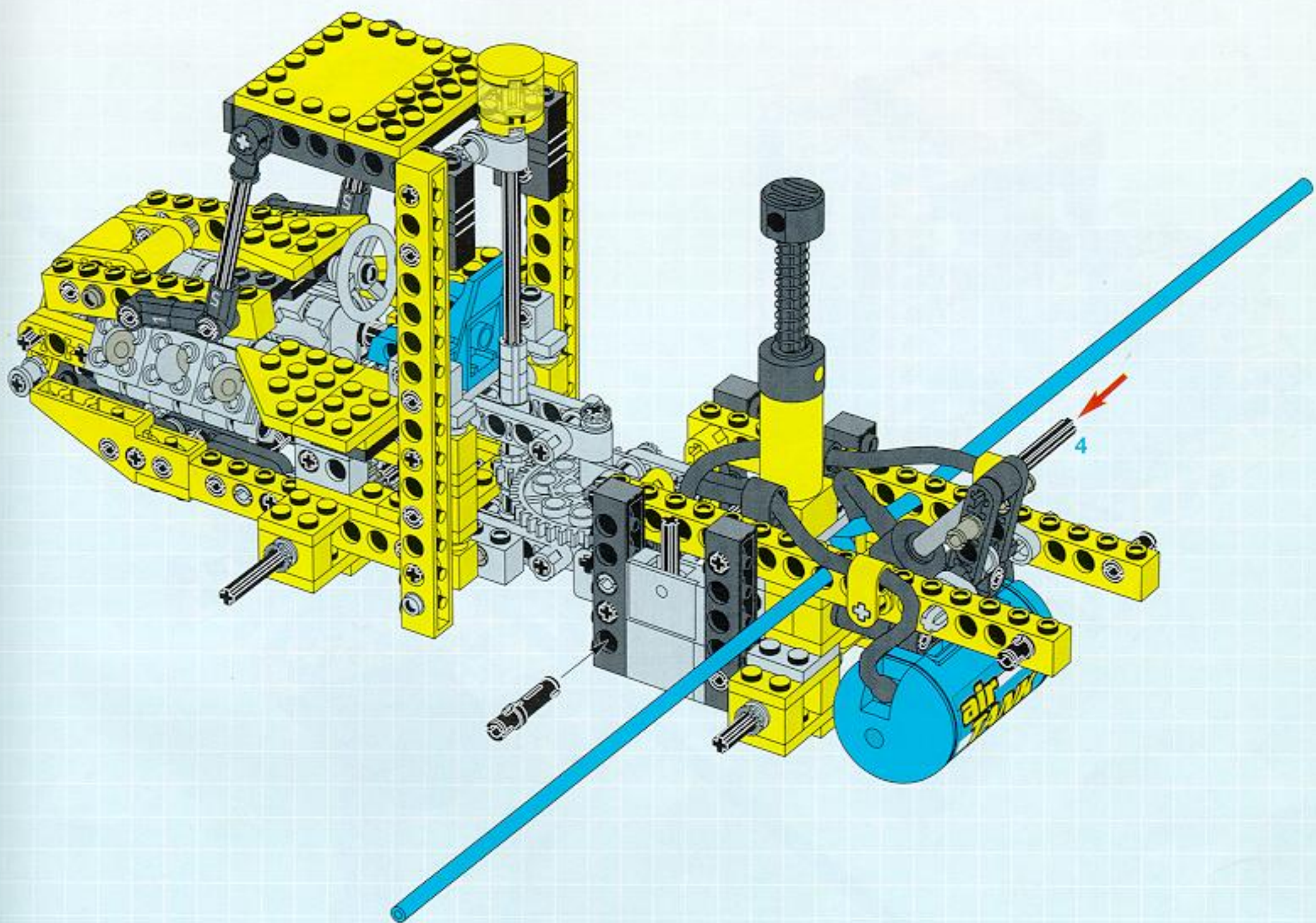


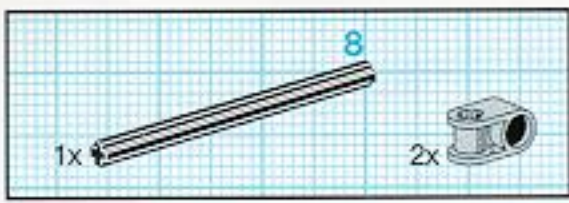
28



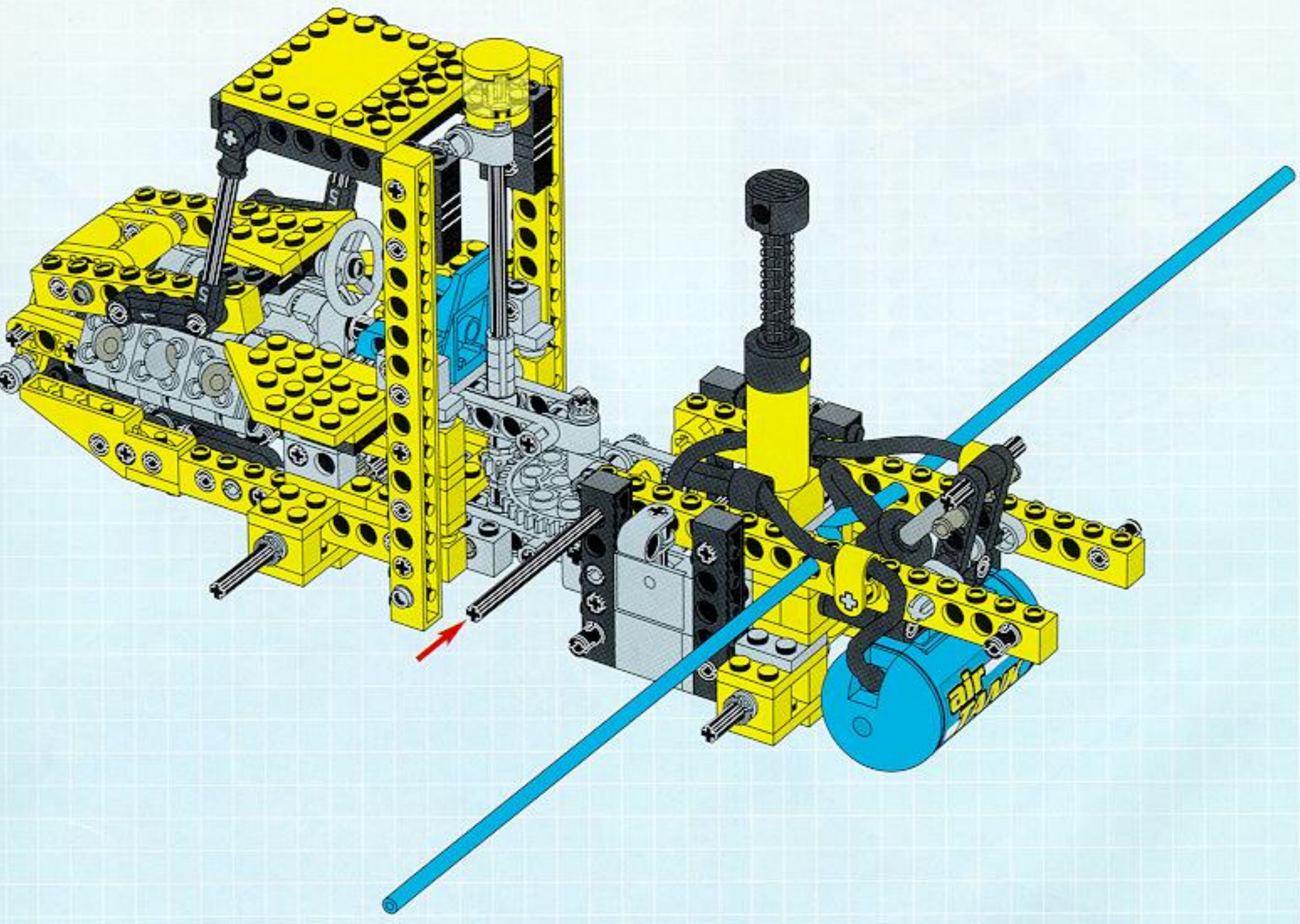


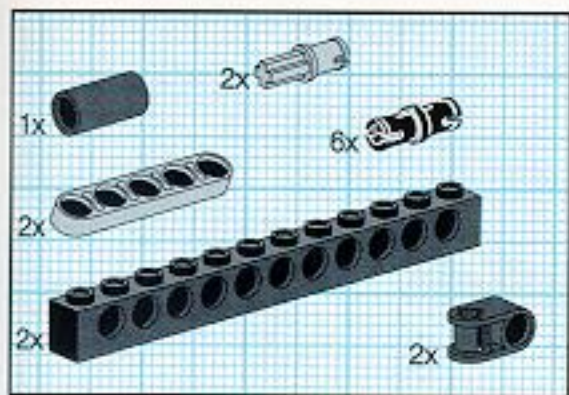
29



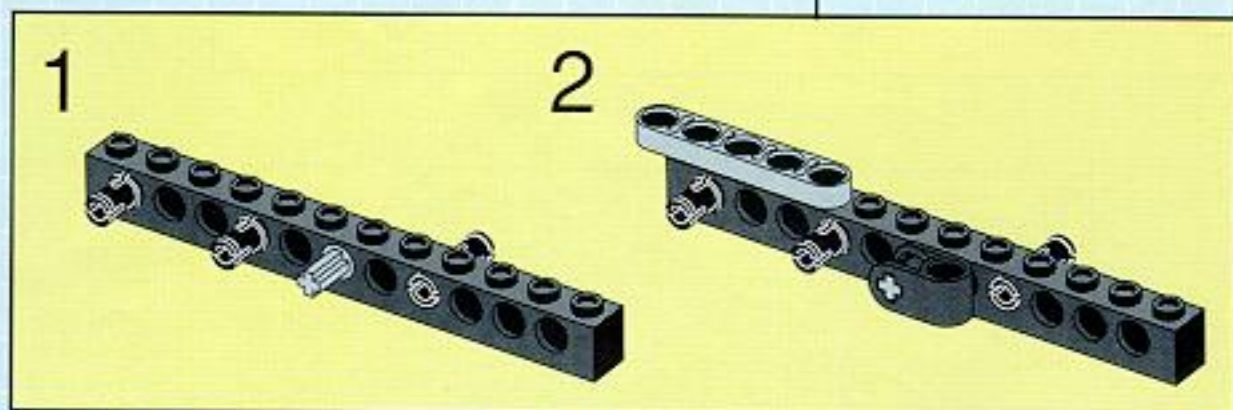
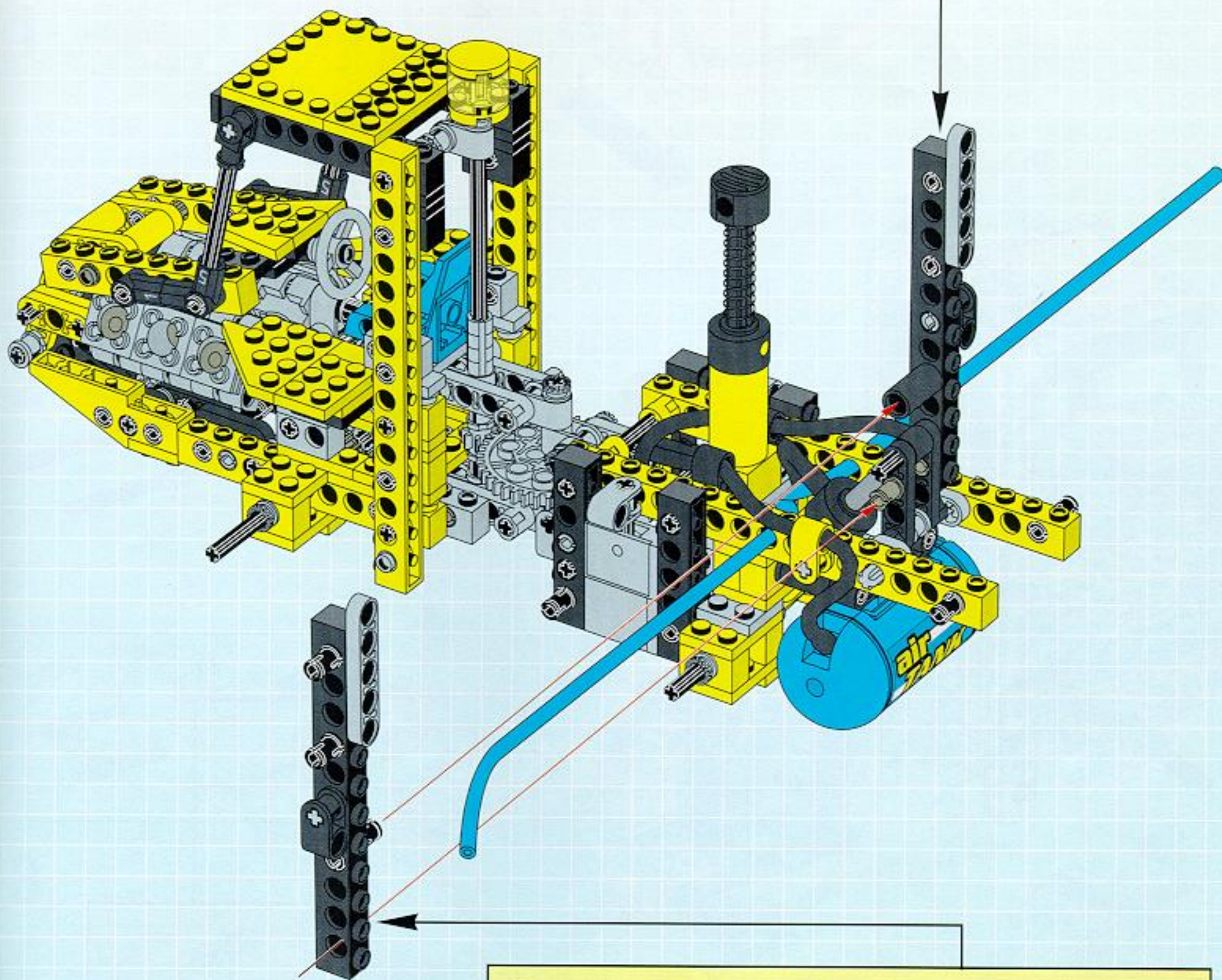
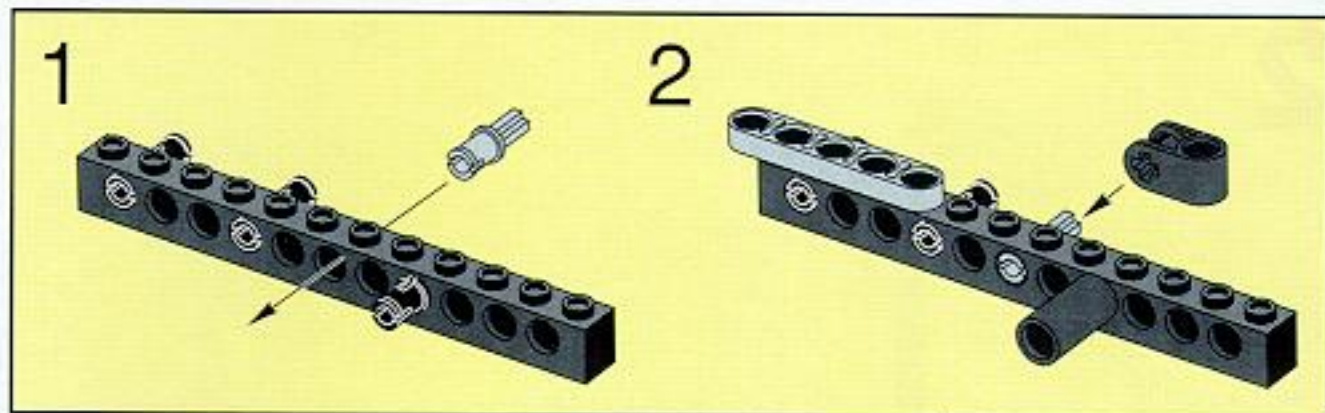


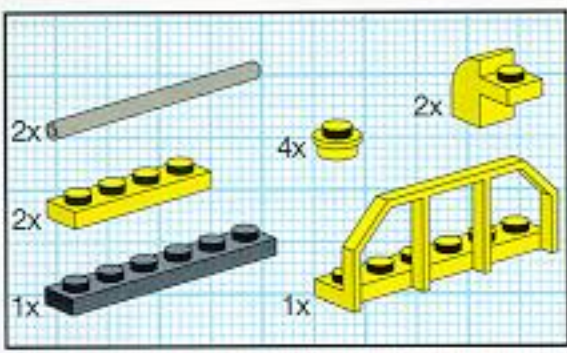
30



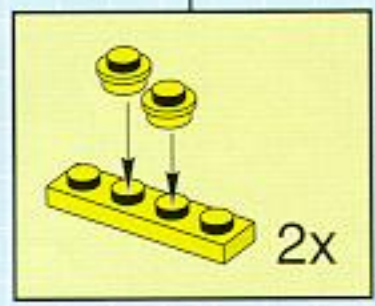
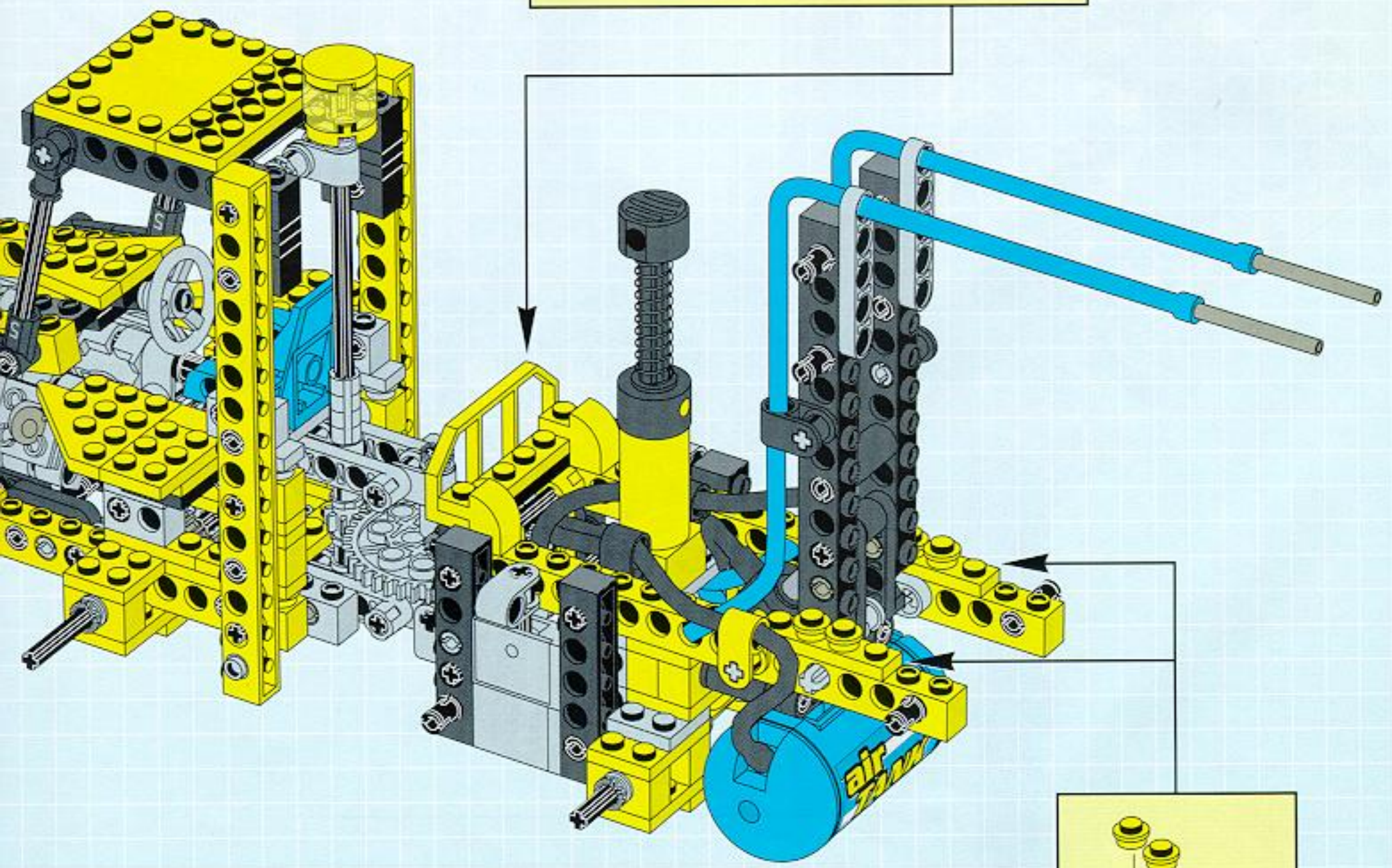
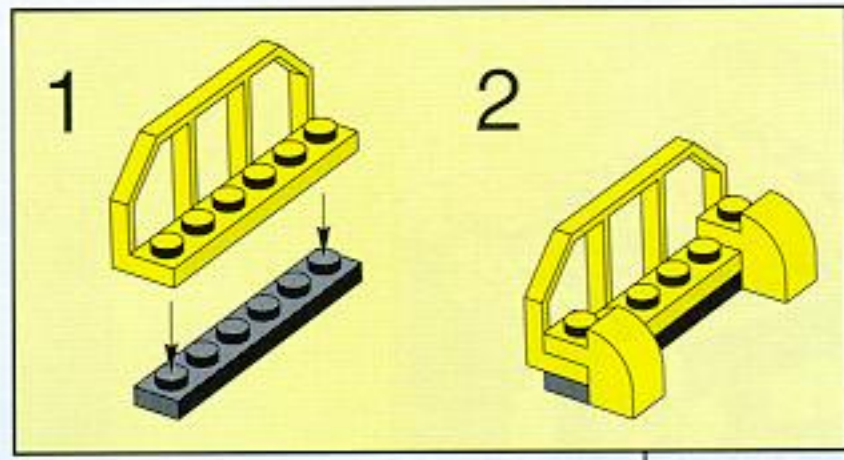


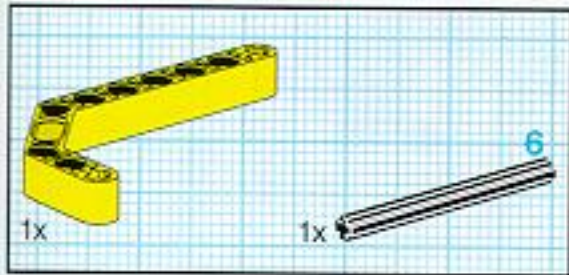
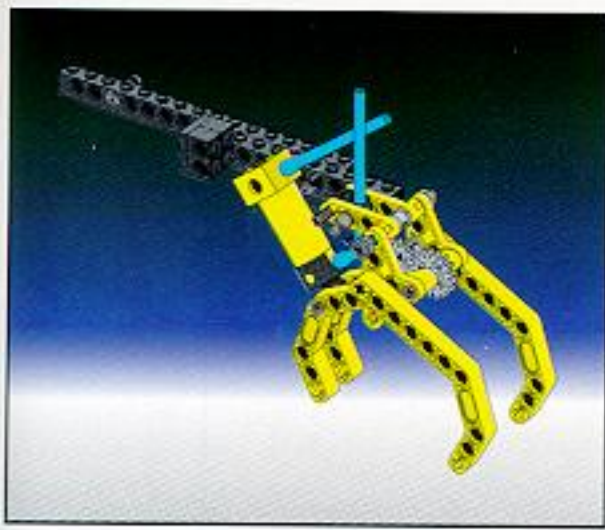
31



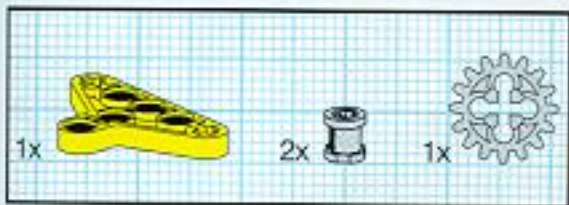
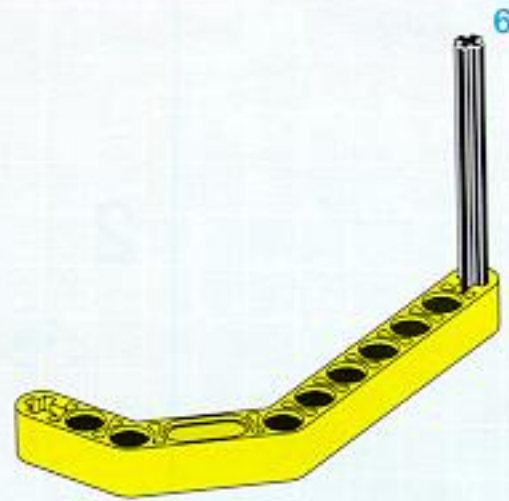


32

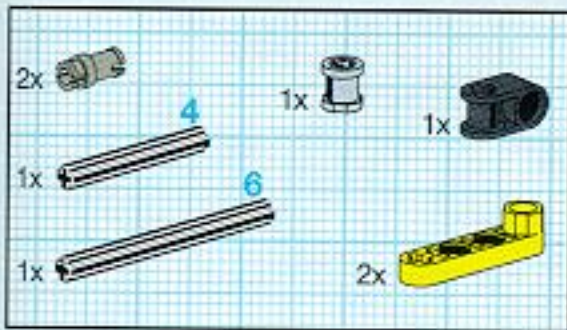
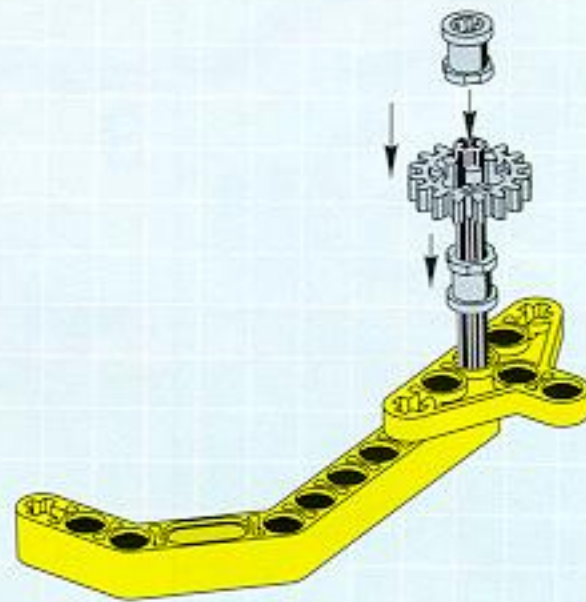




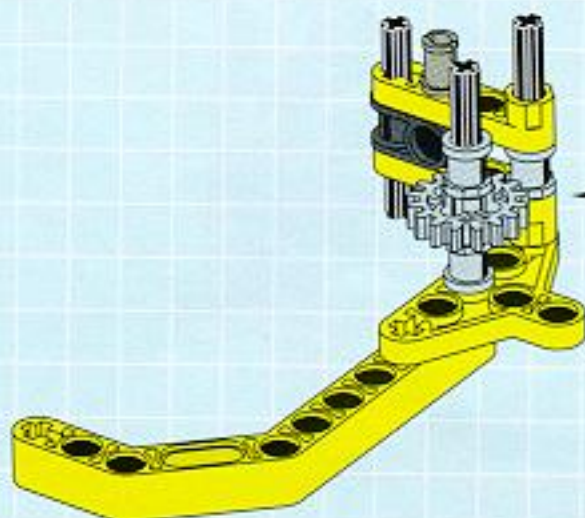
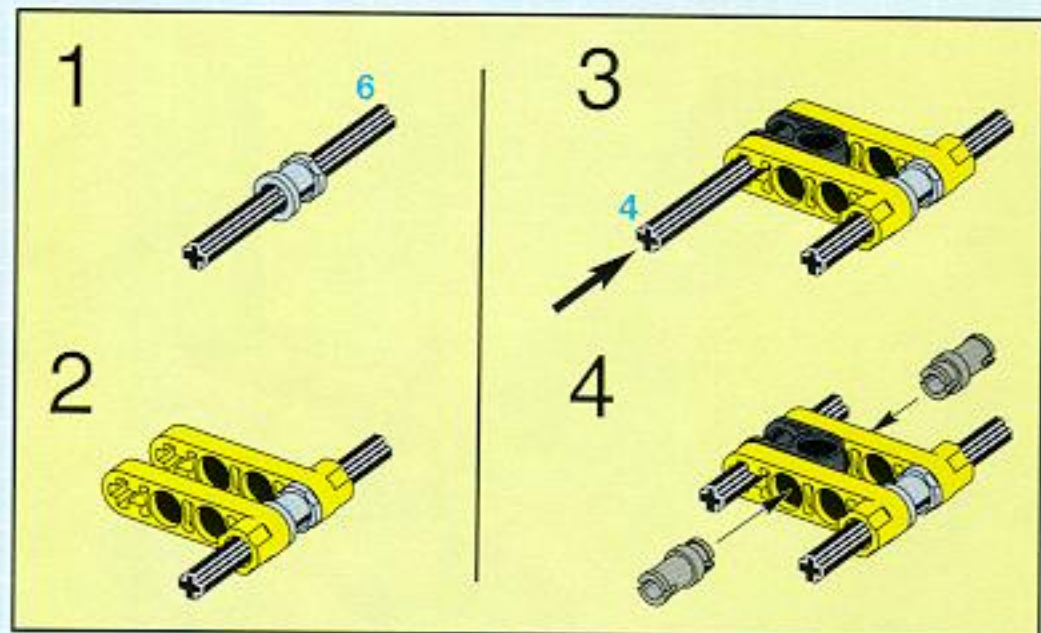
1

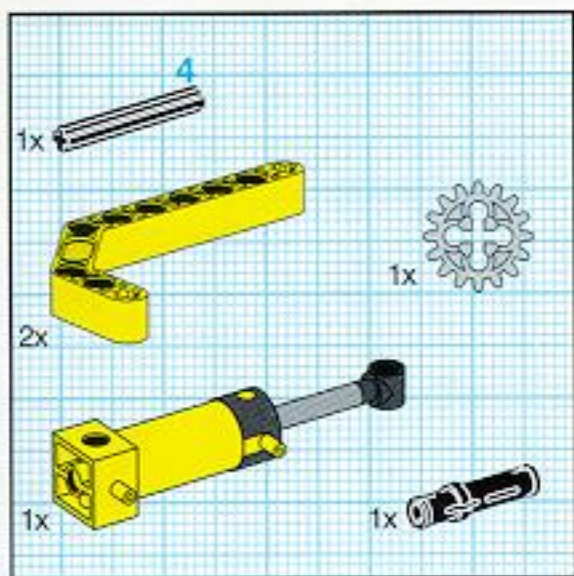


2

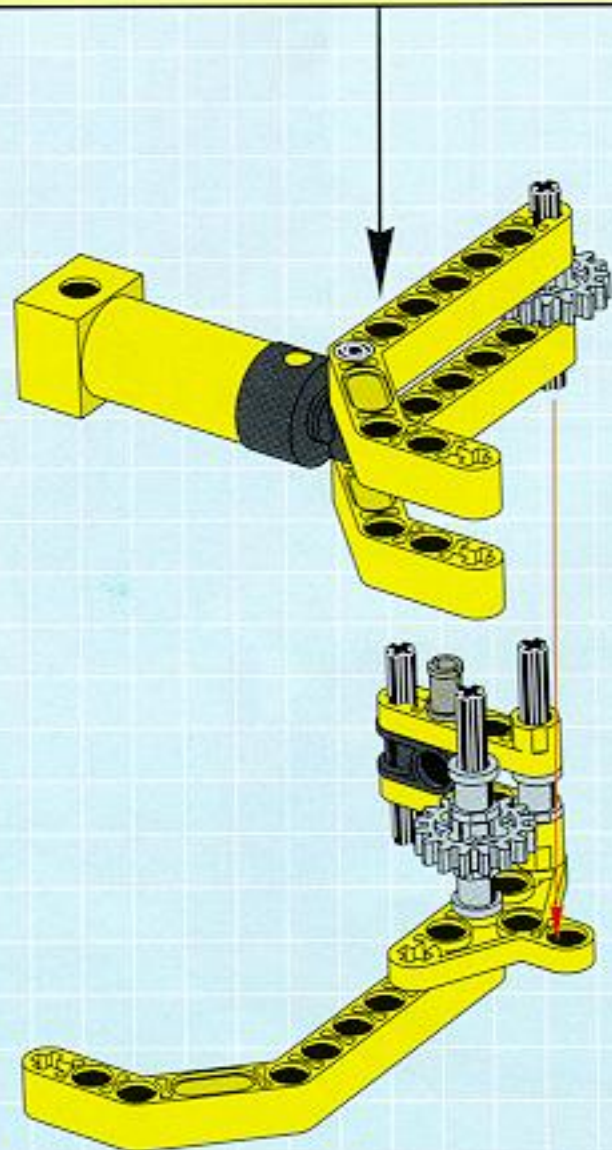
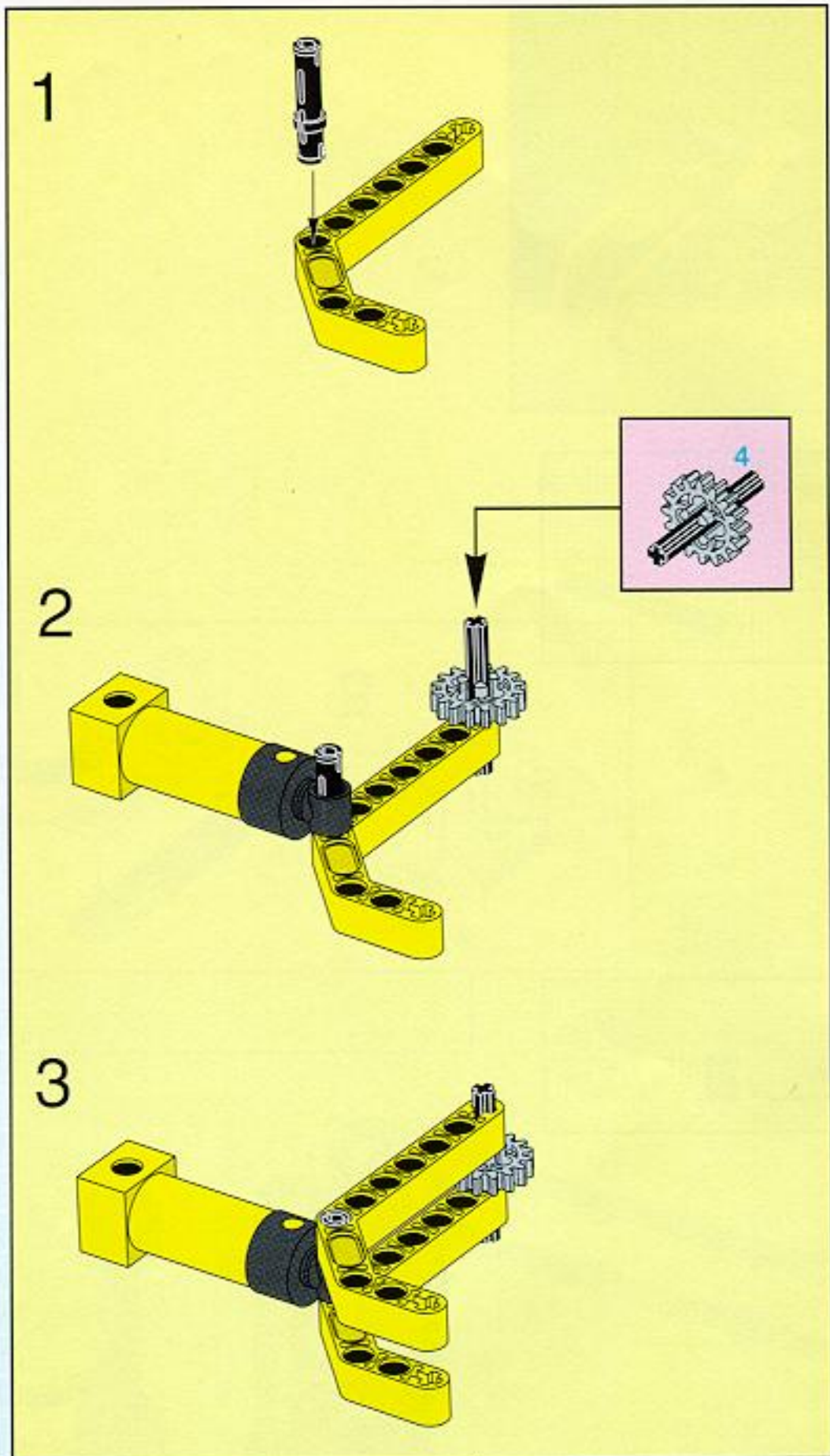


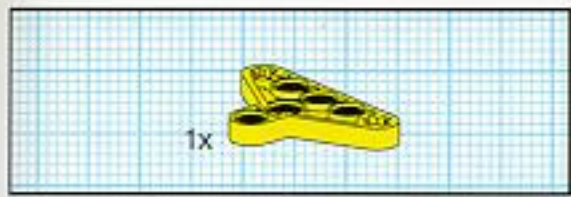
3



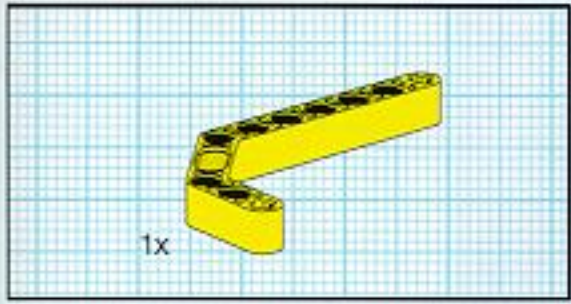
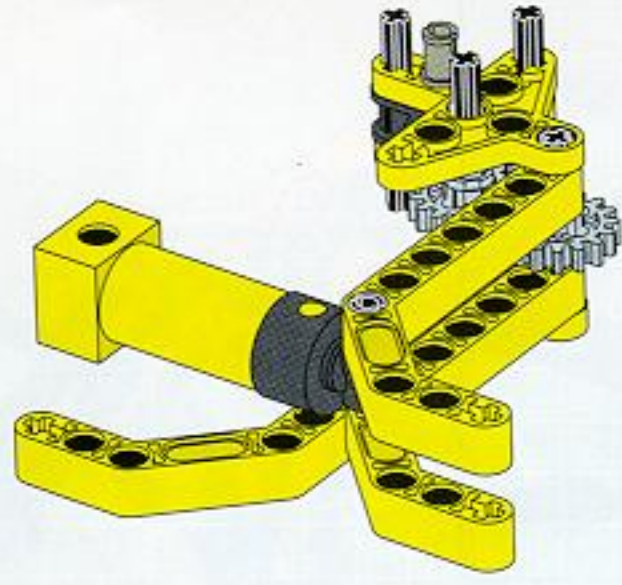


4

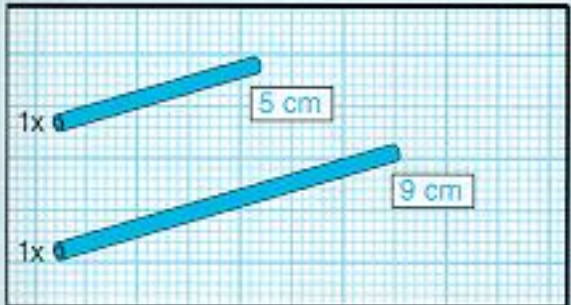
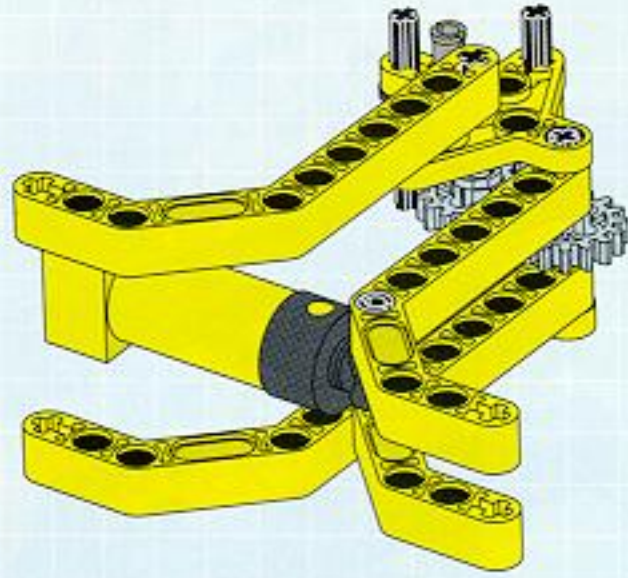




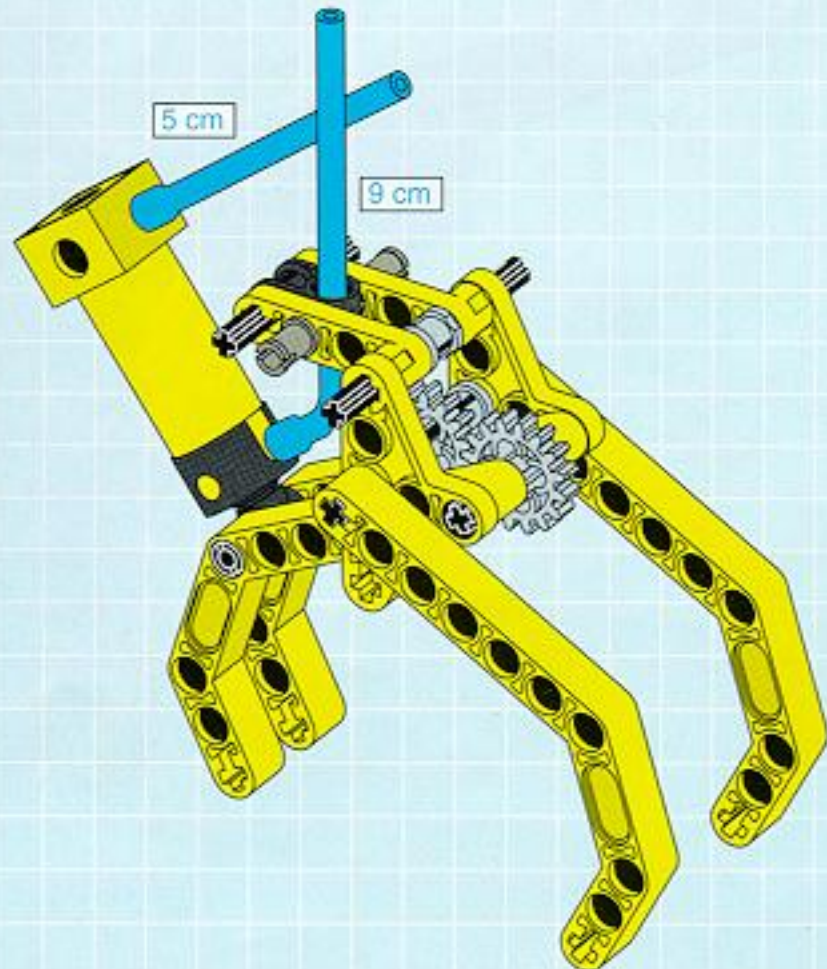
5

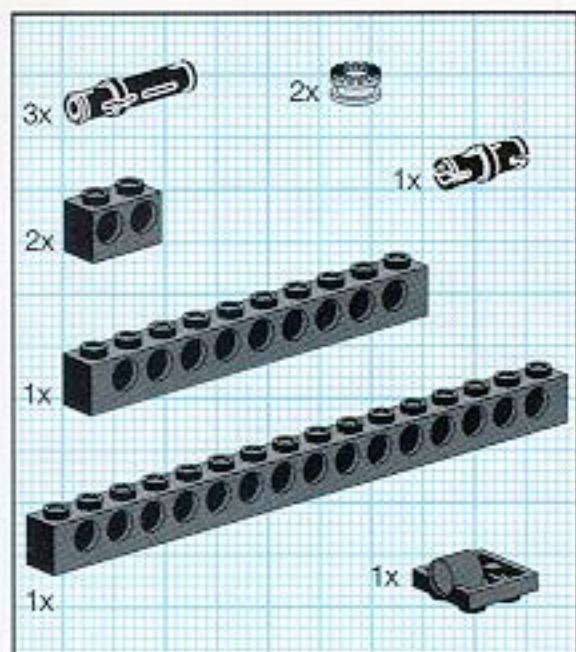


6

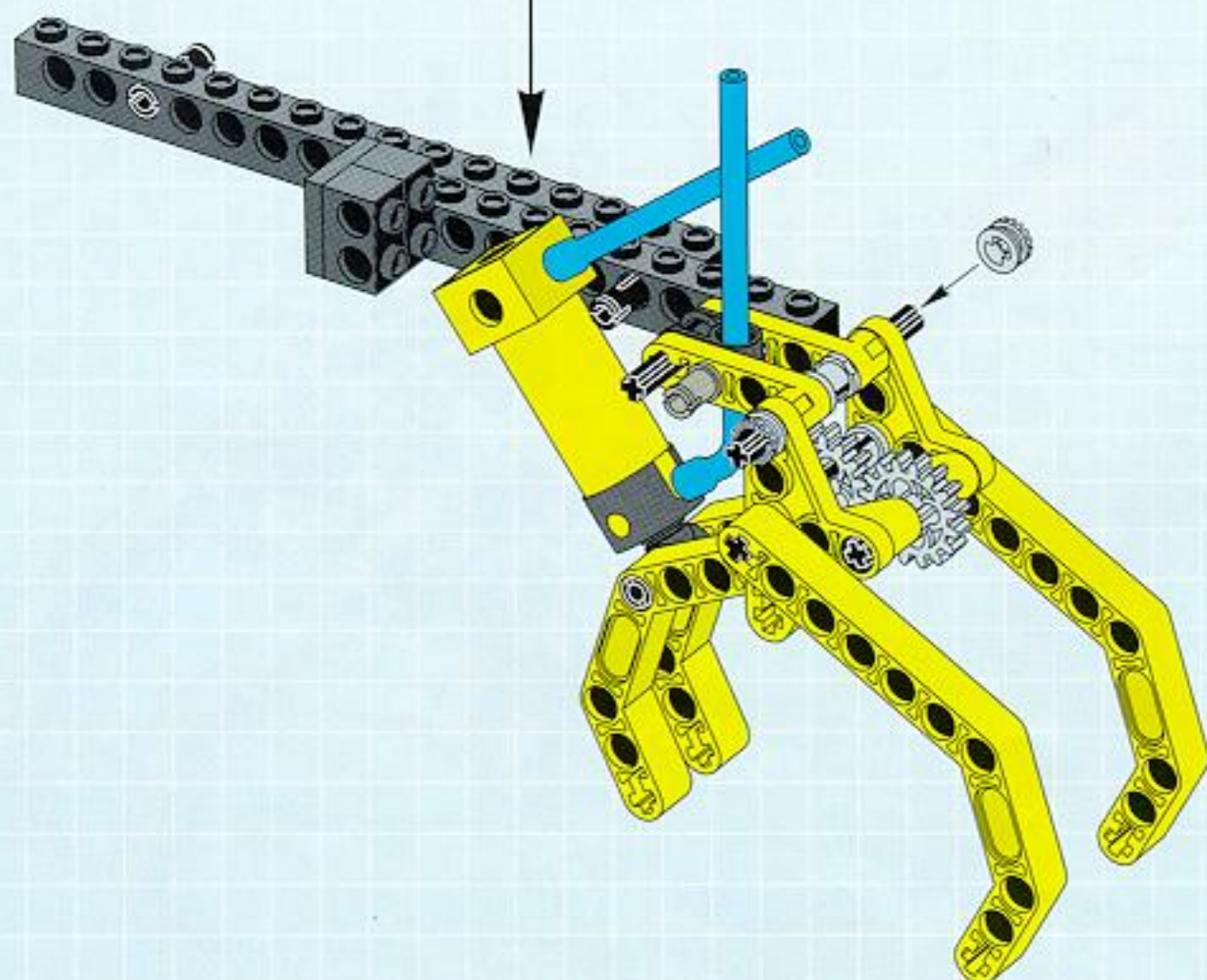
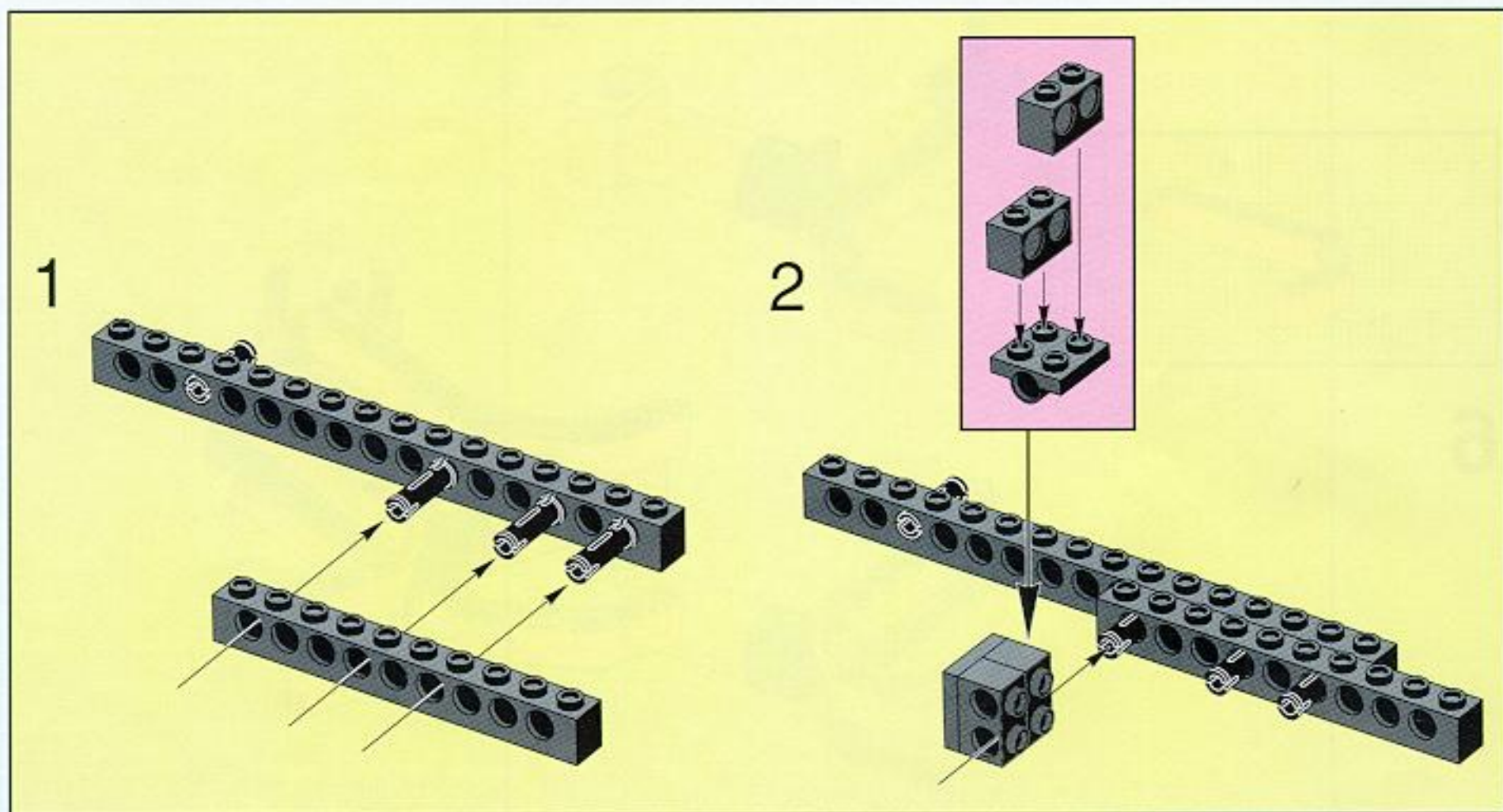


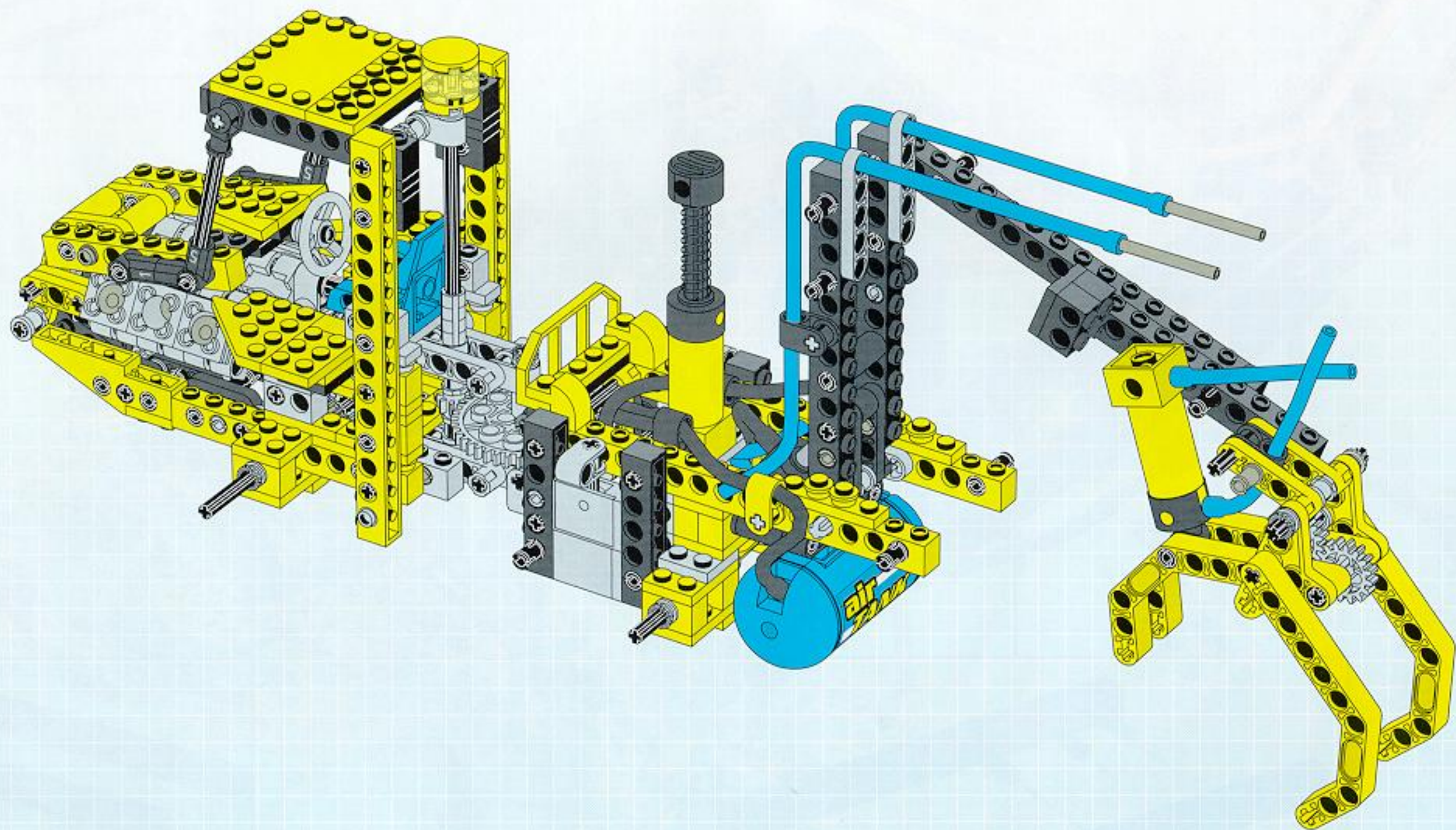
7

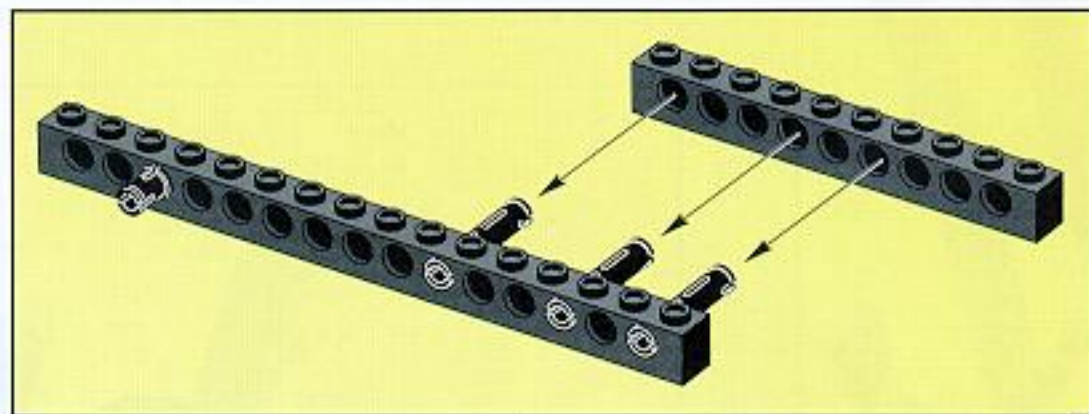
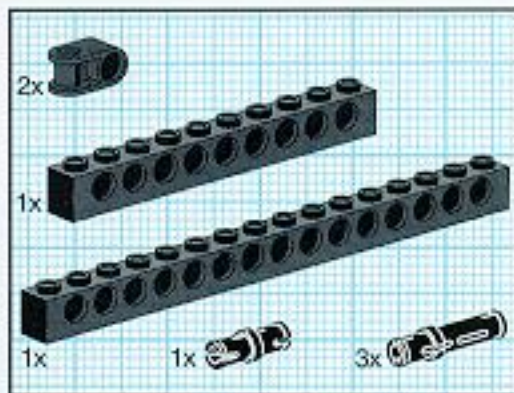




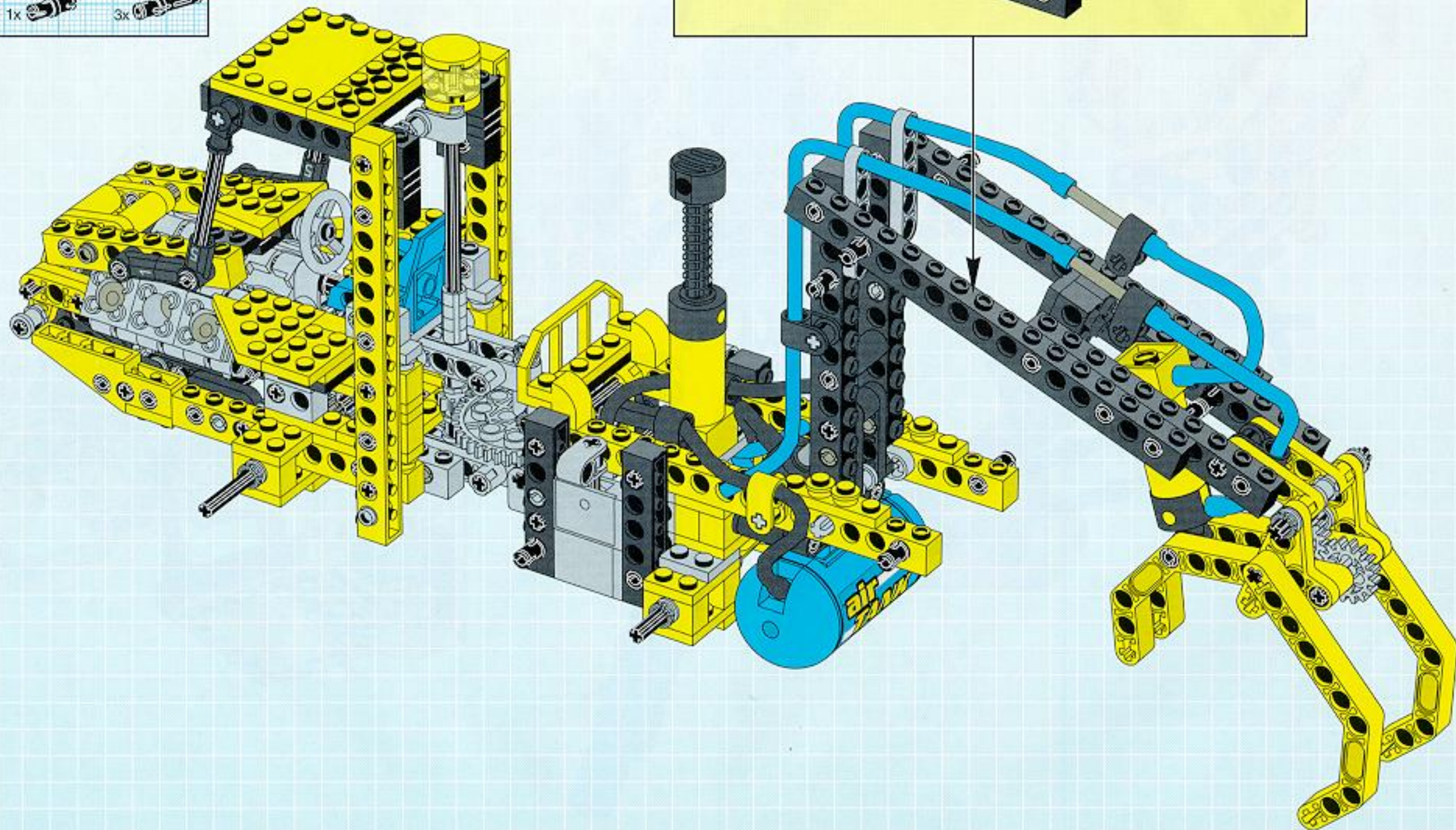
8

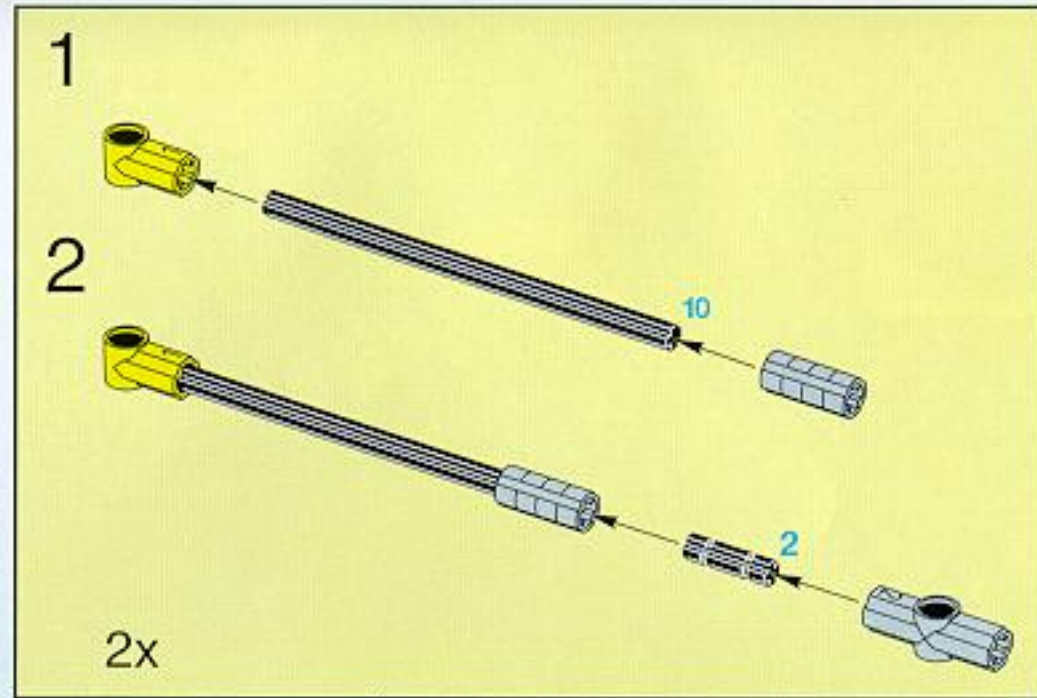
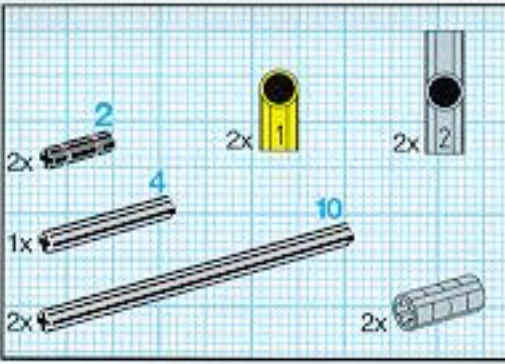




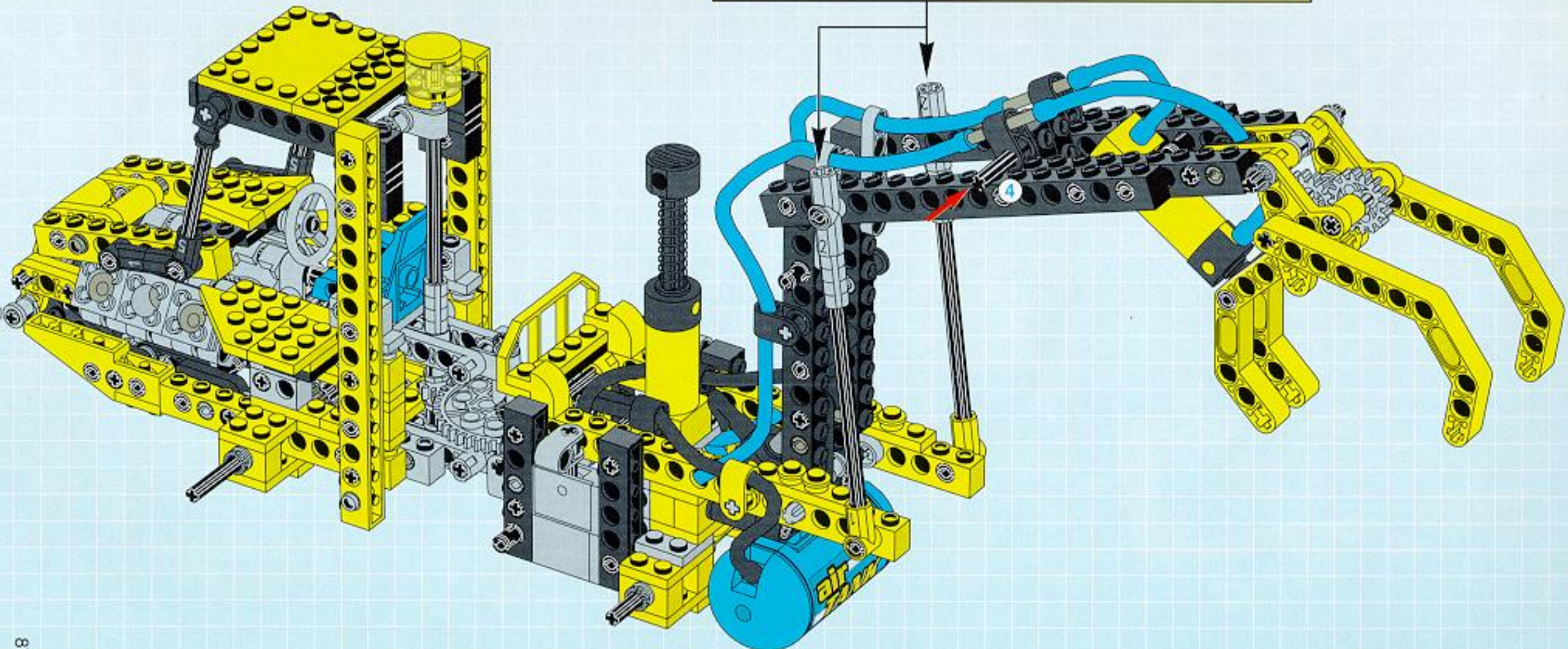


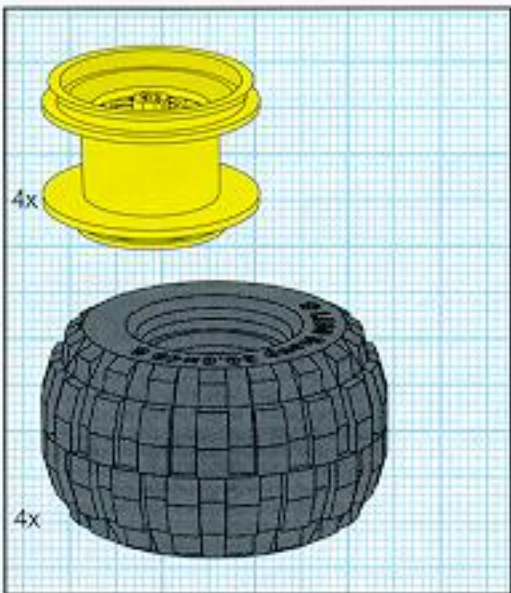
34





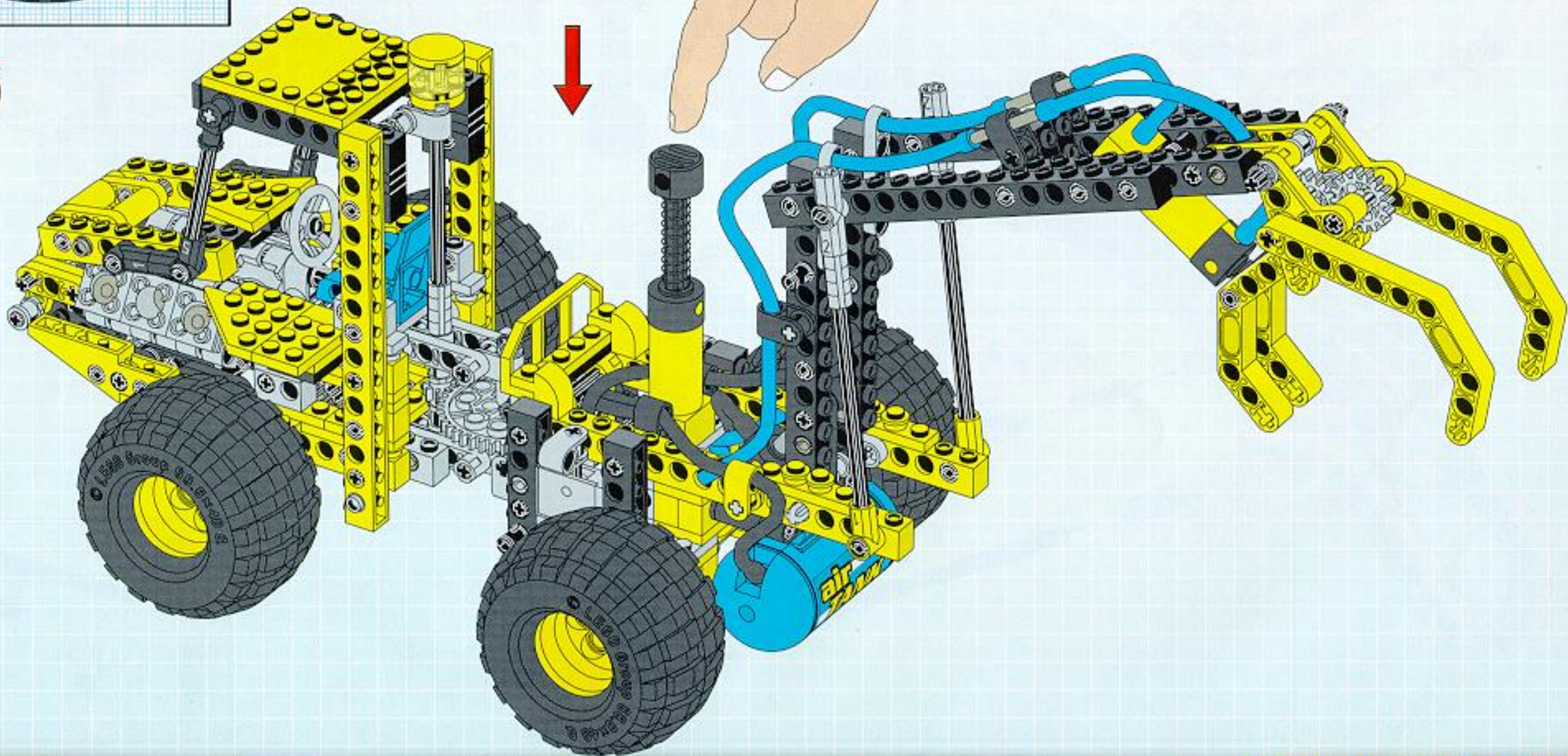
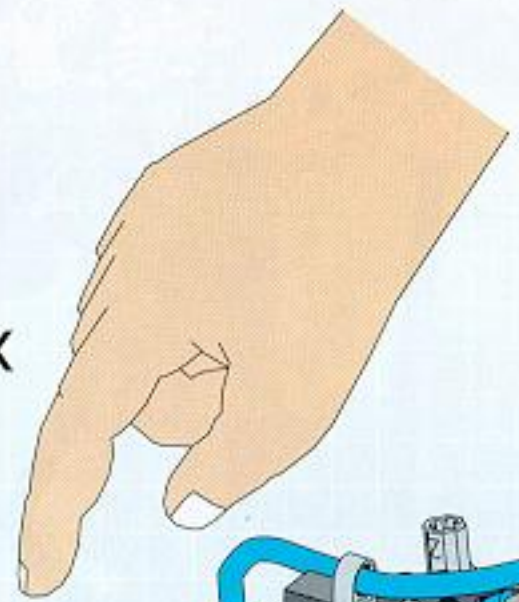
35

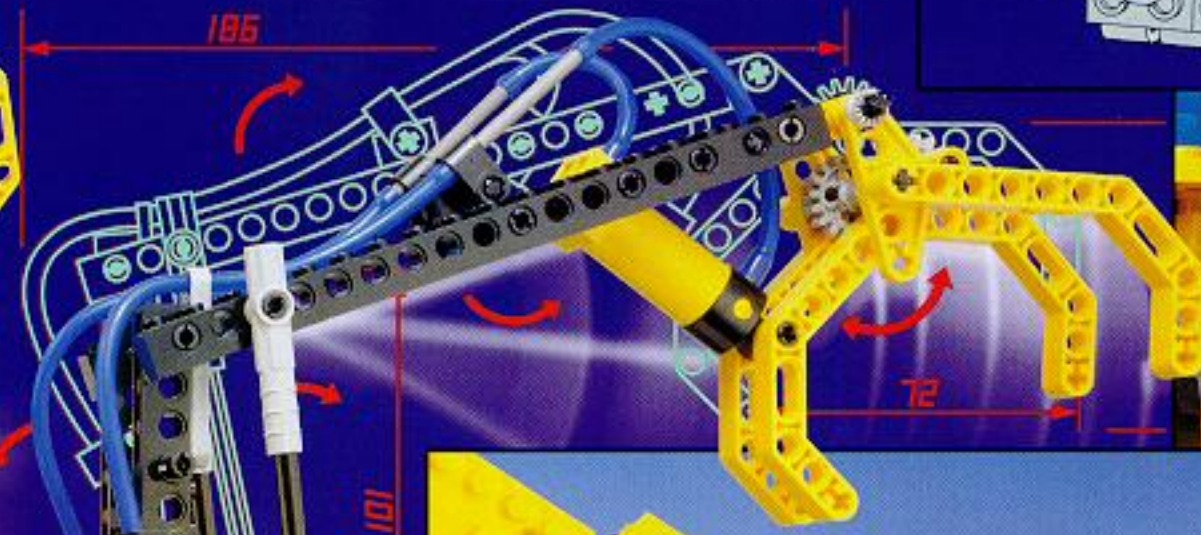
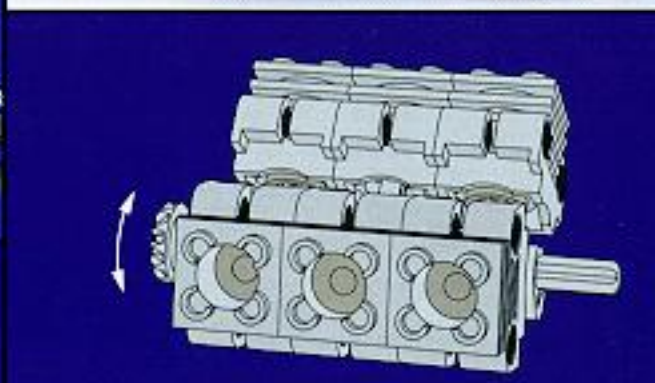
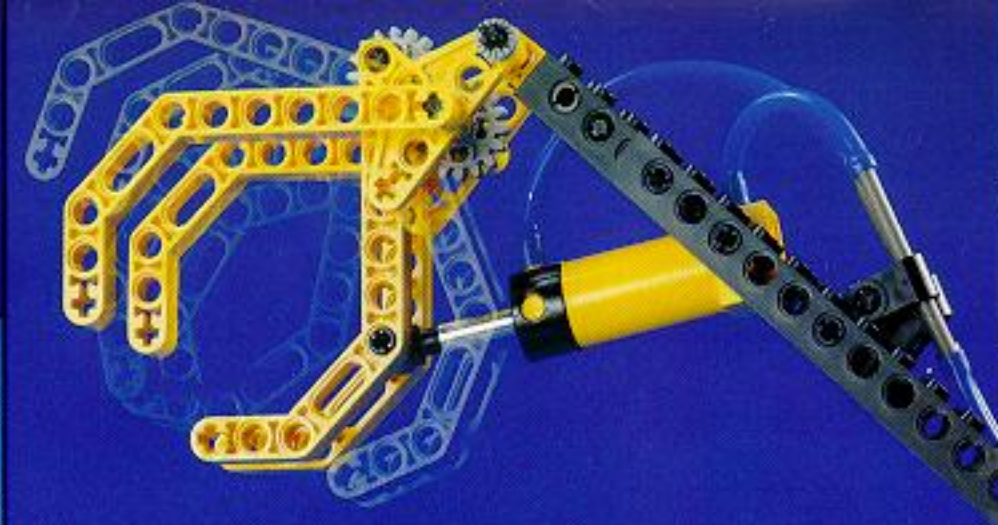


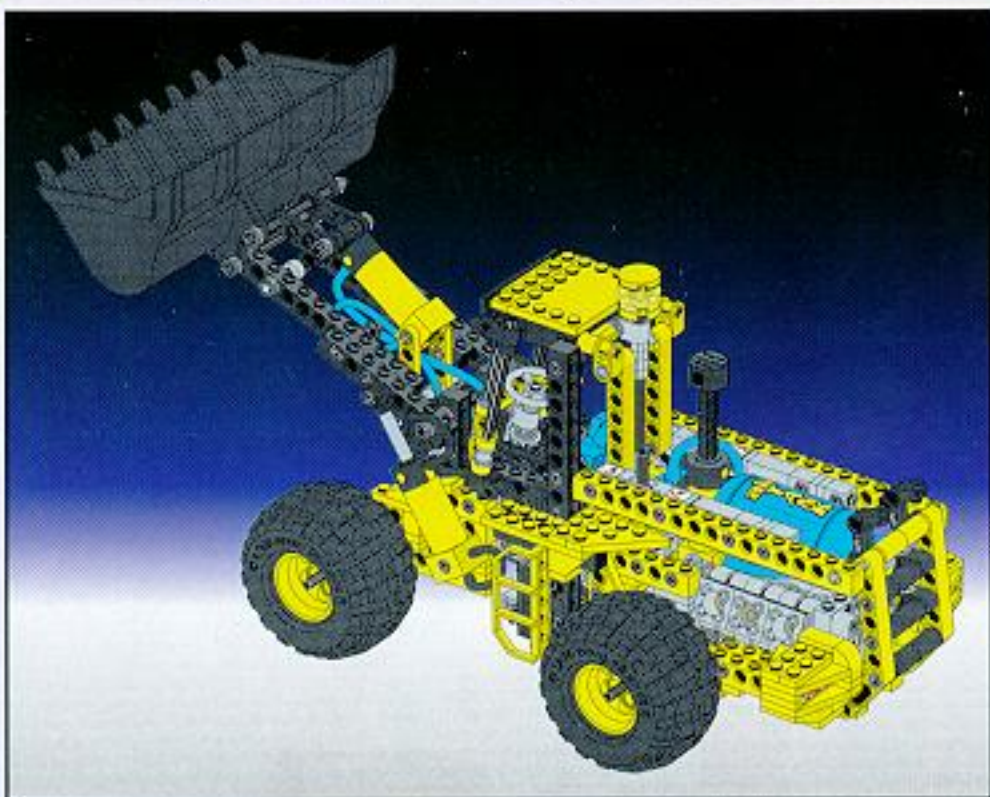


36

↑
30 - 35x
↓



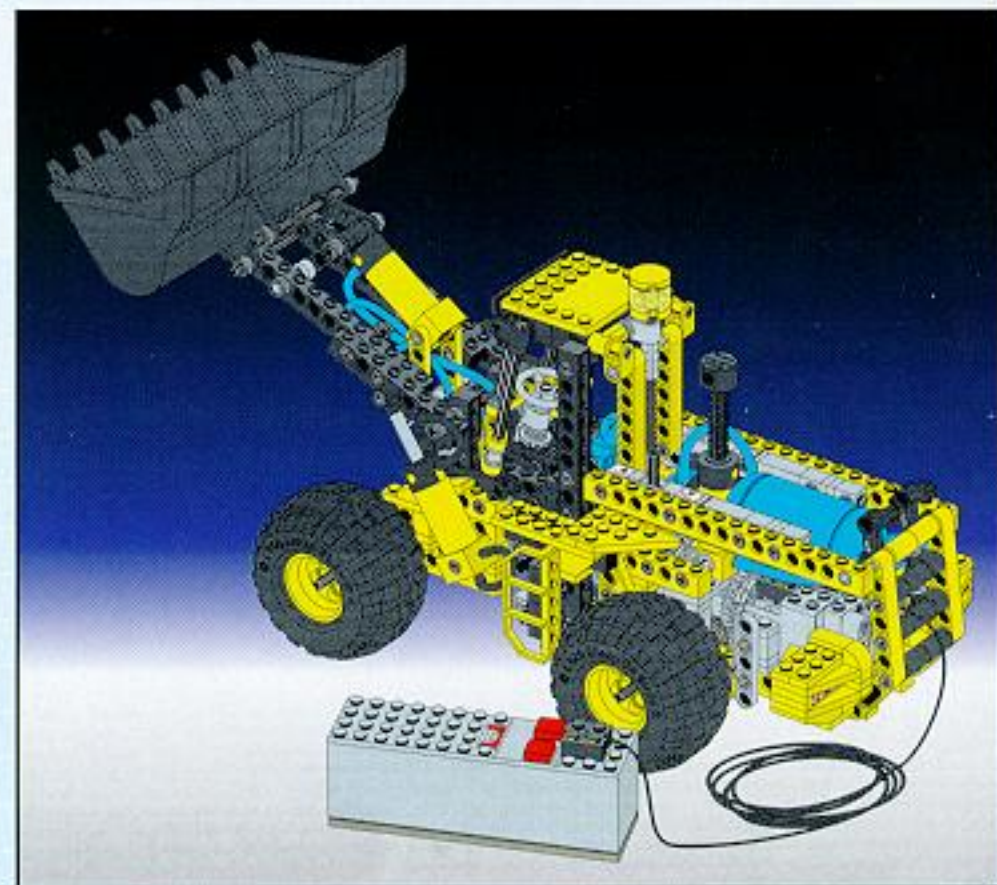




+



=

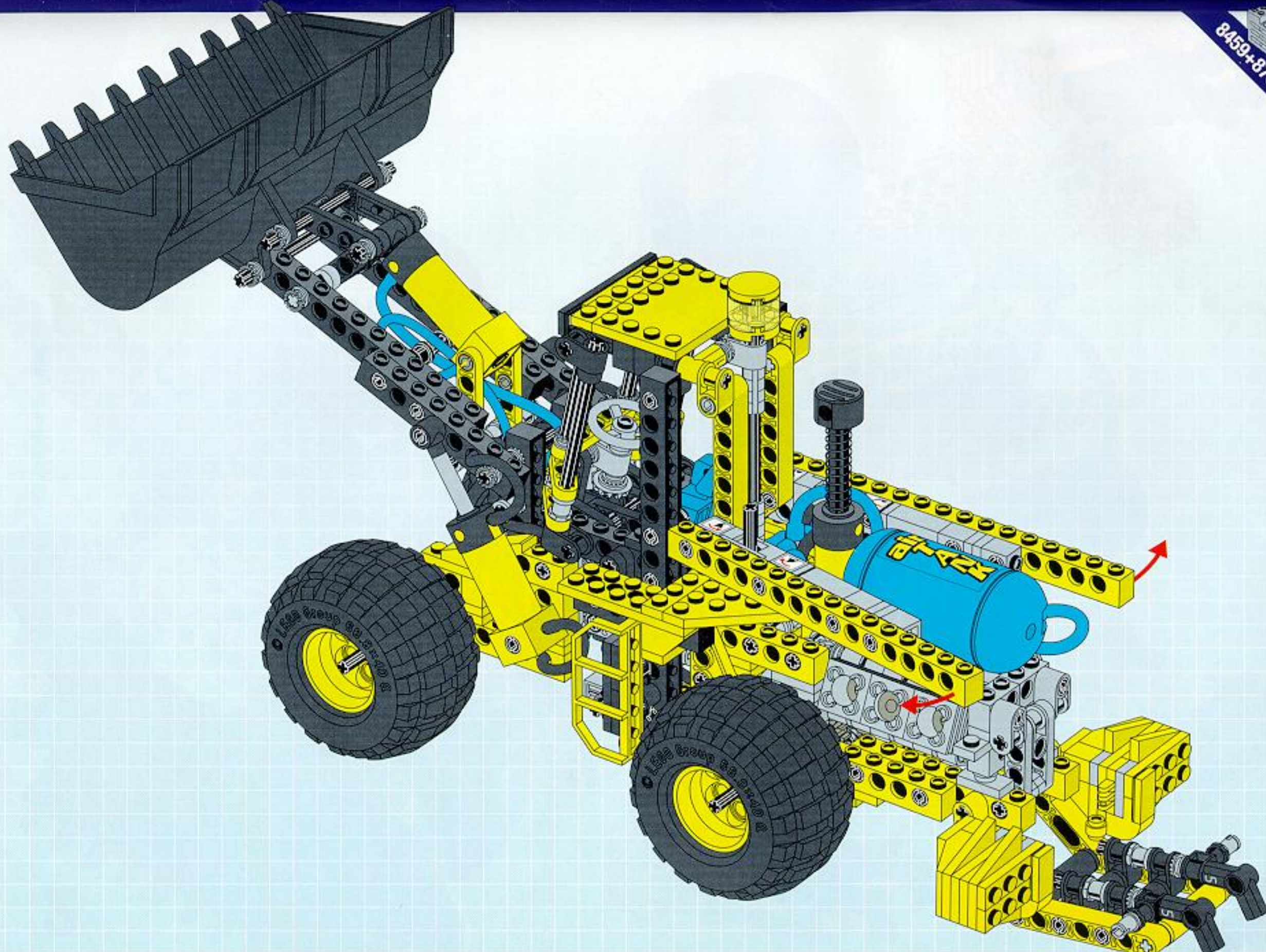


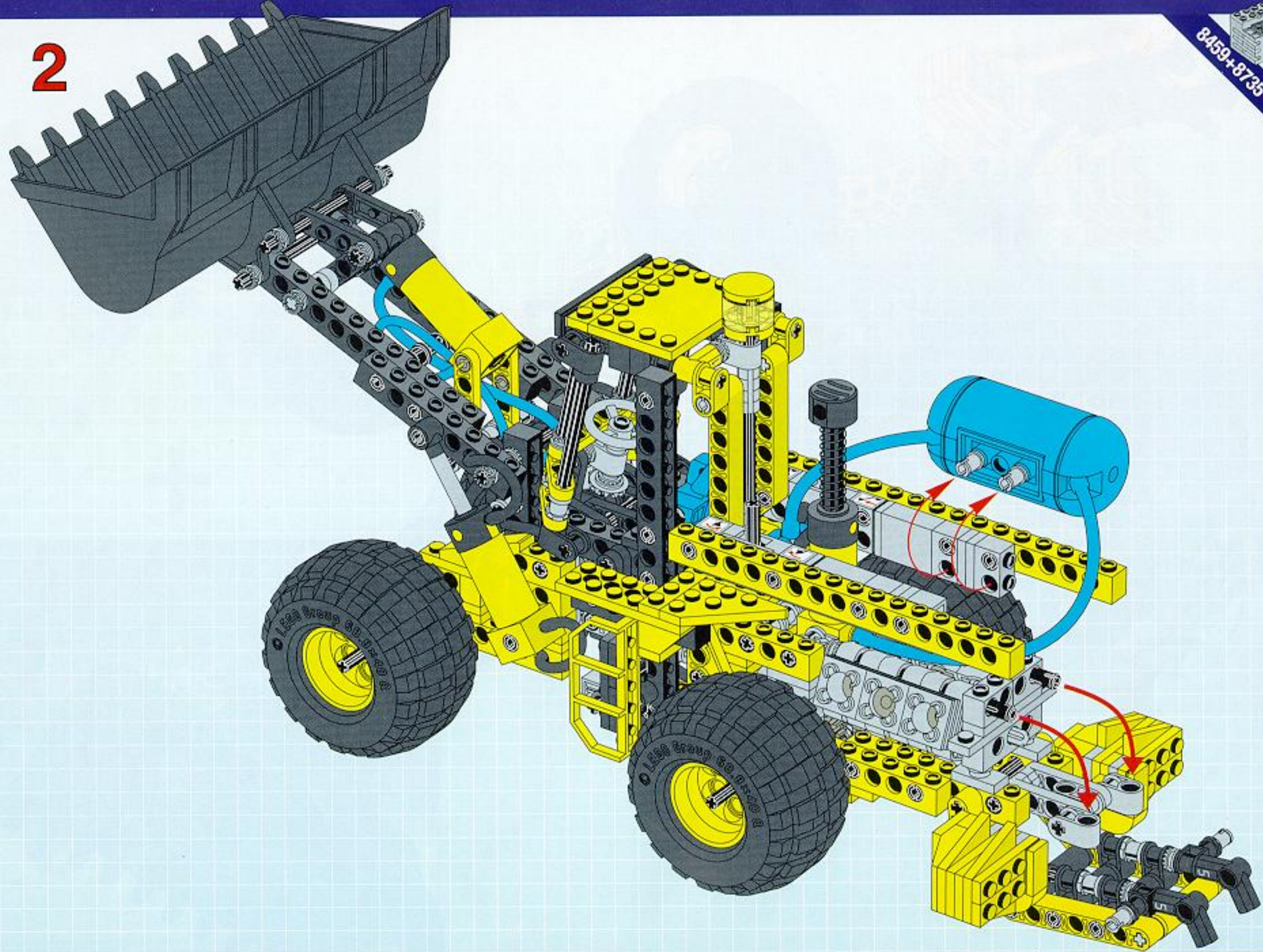
8459+8735



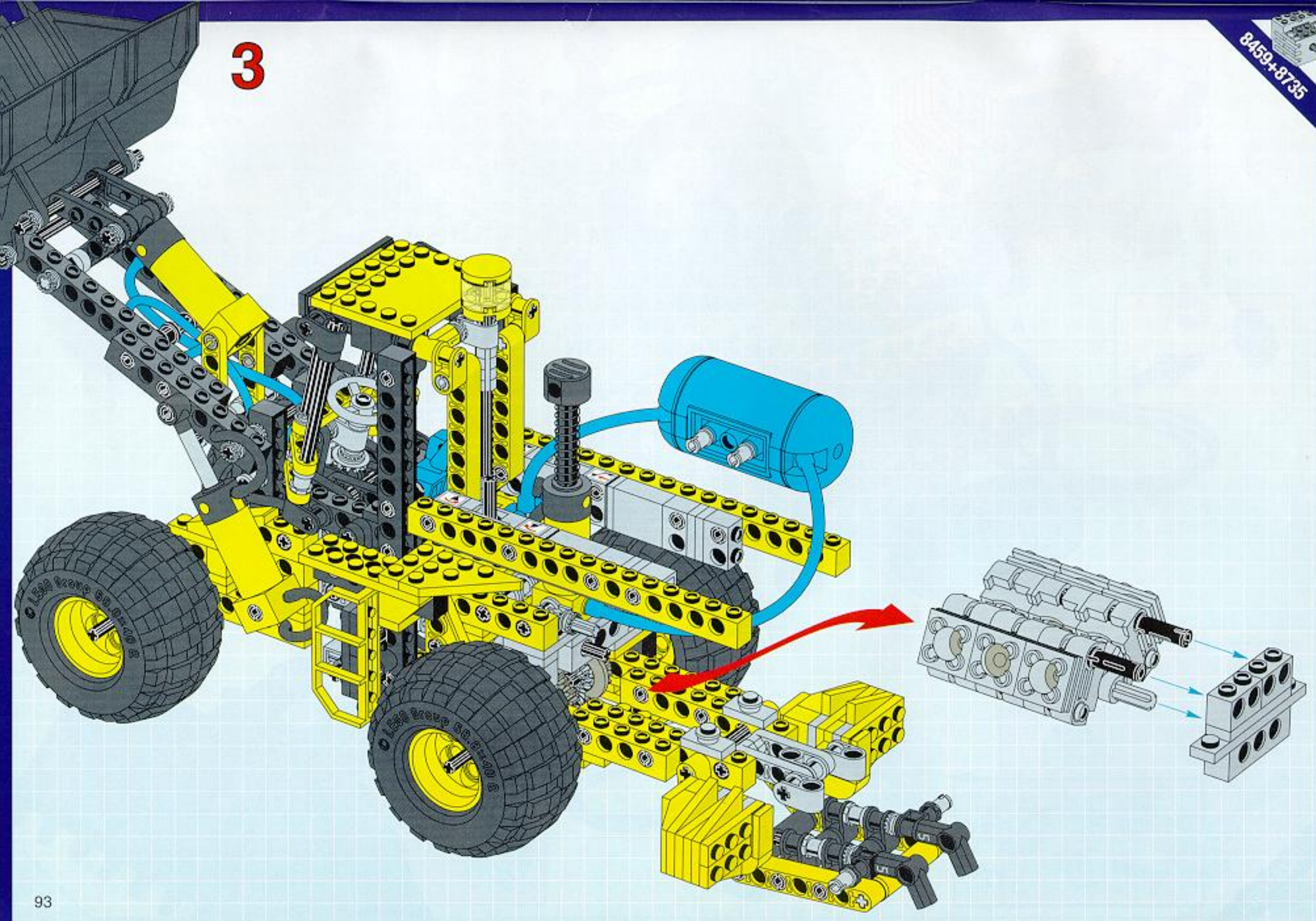
1

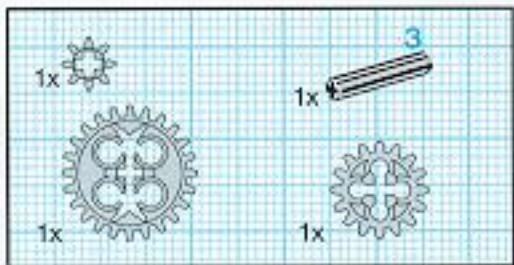
8459+8735



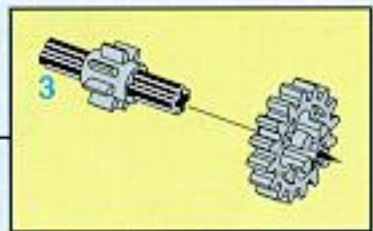


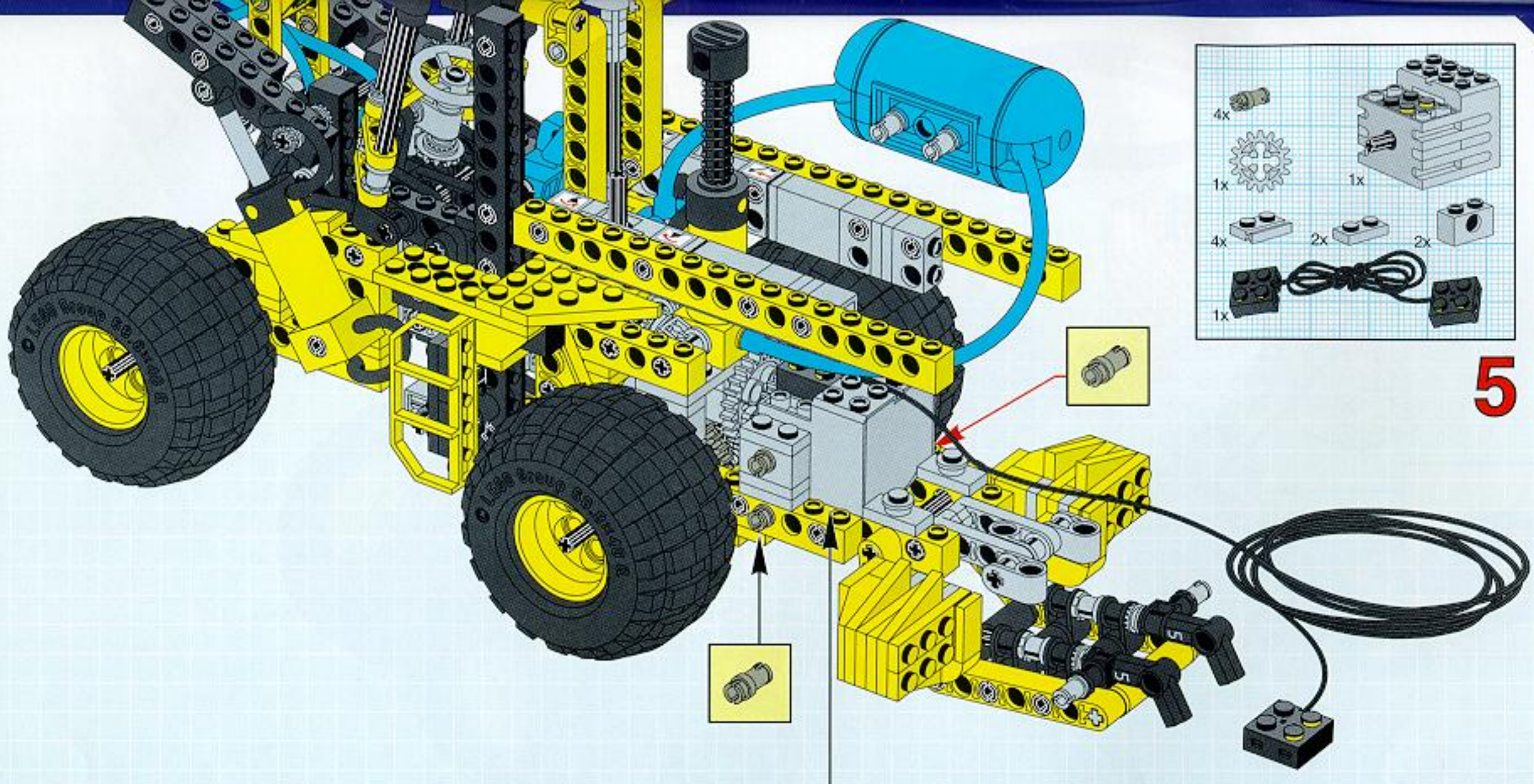
3



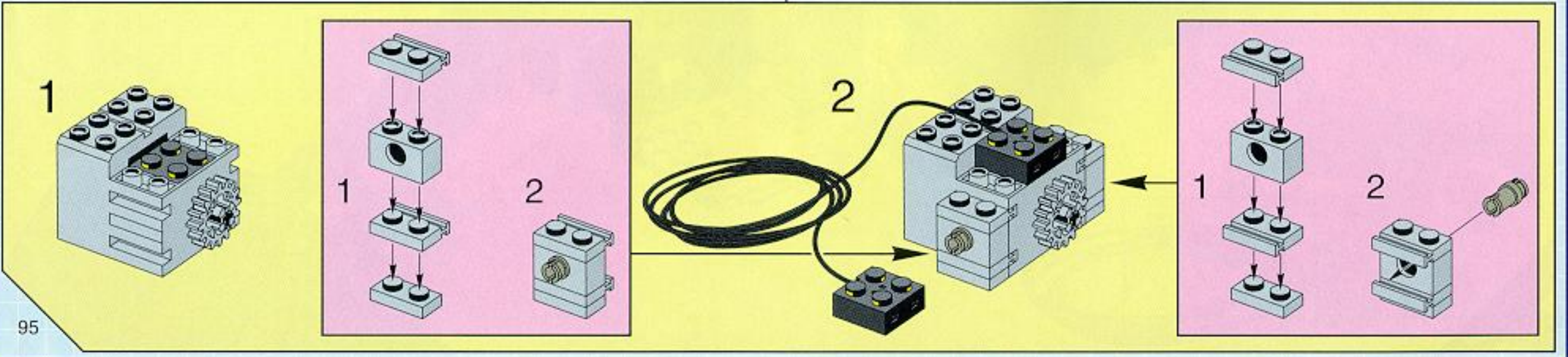


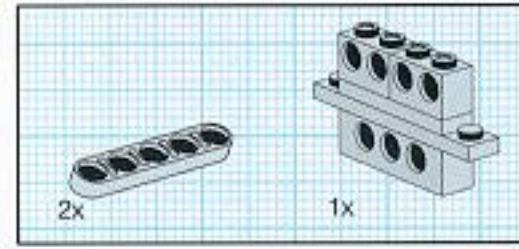
4



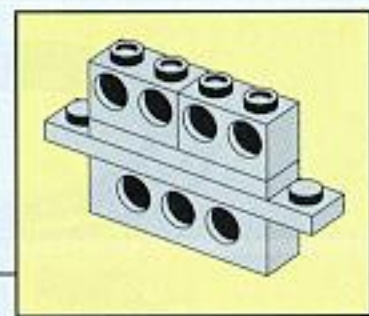
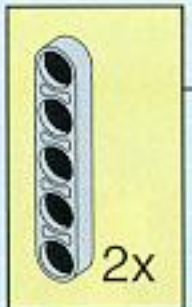
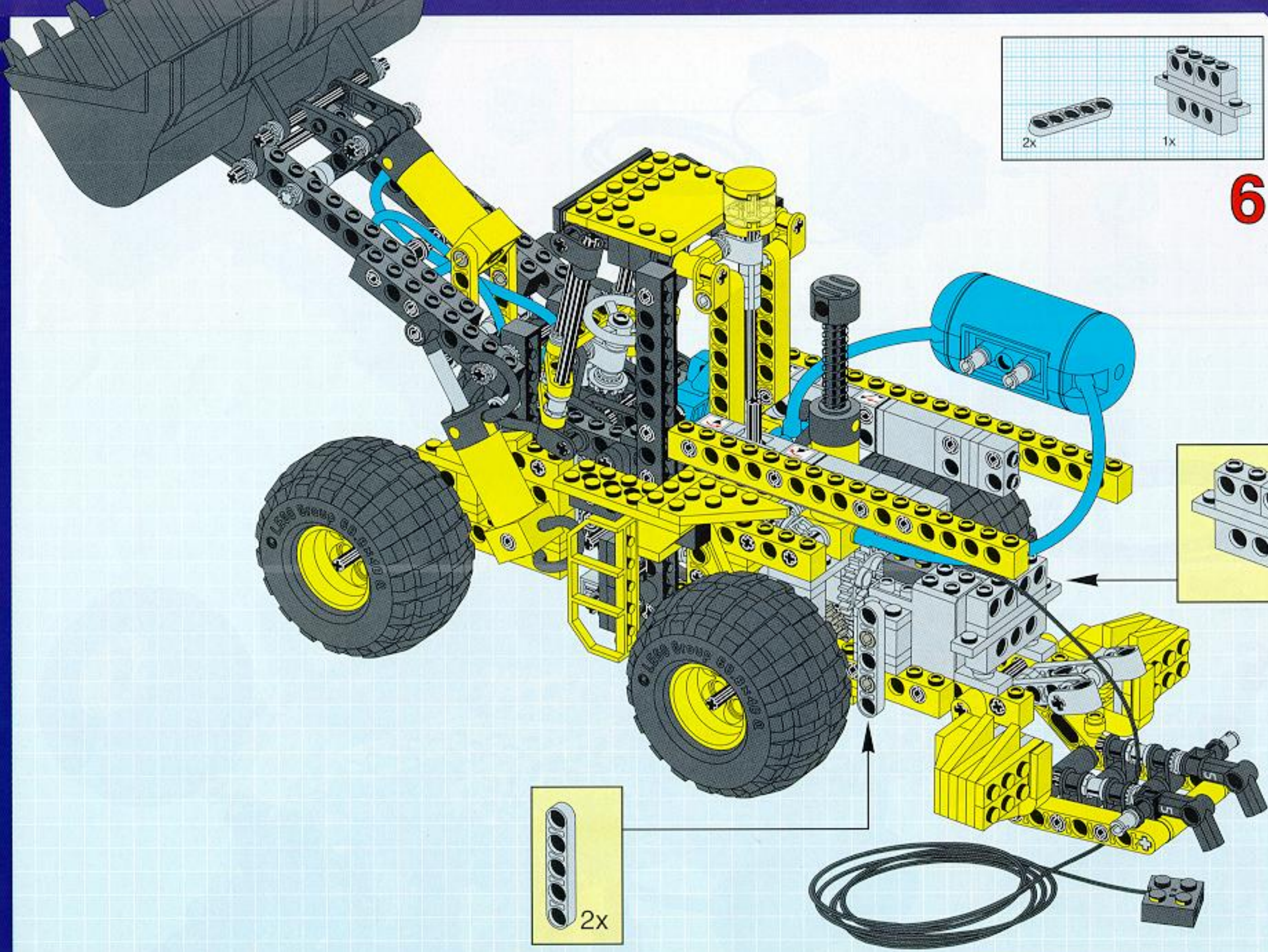


5



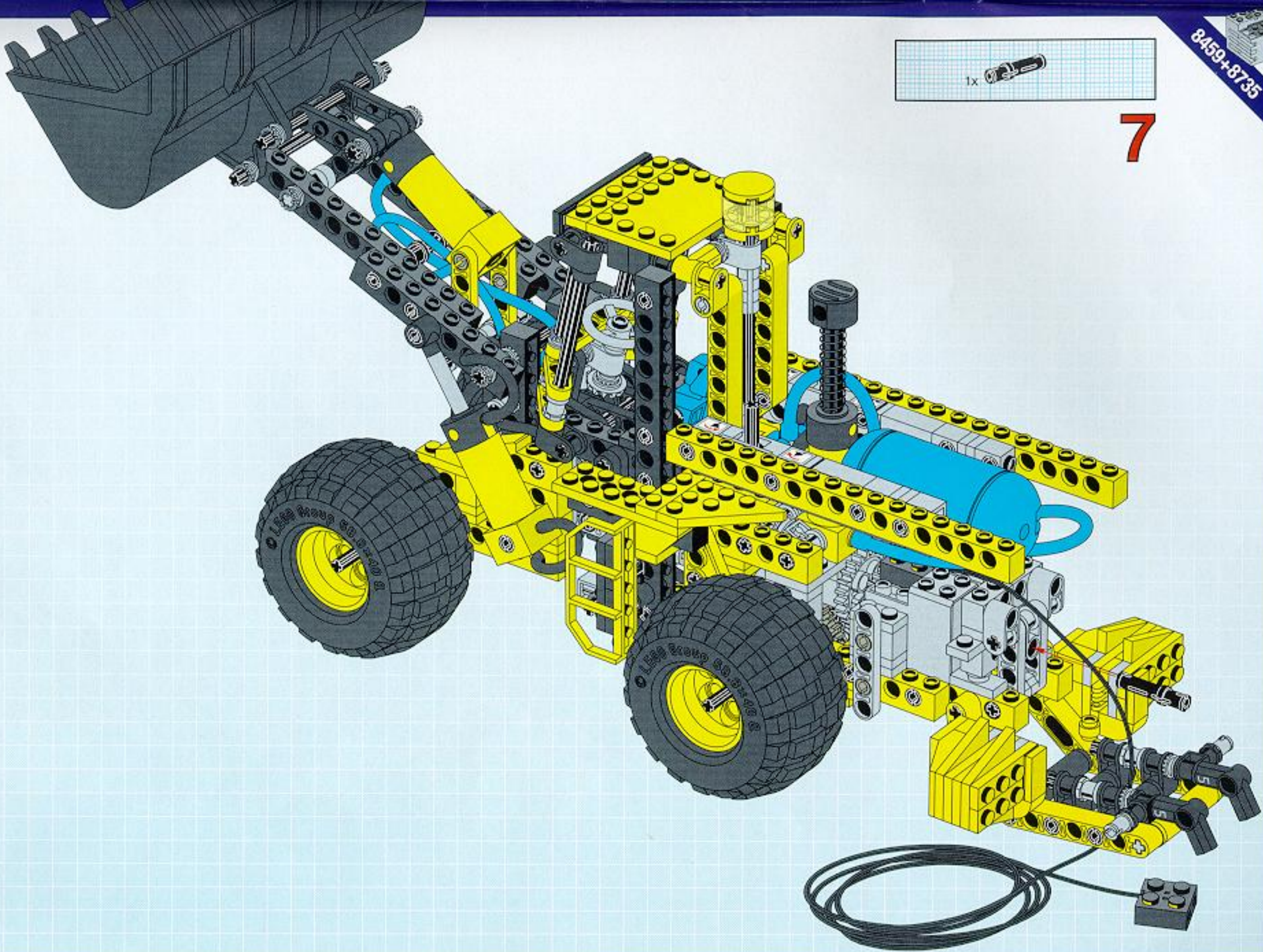


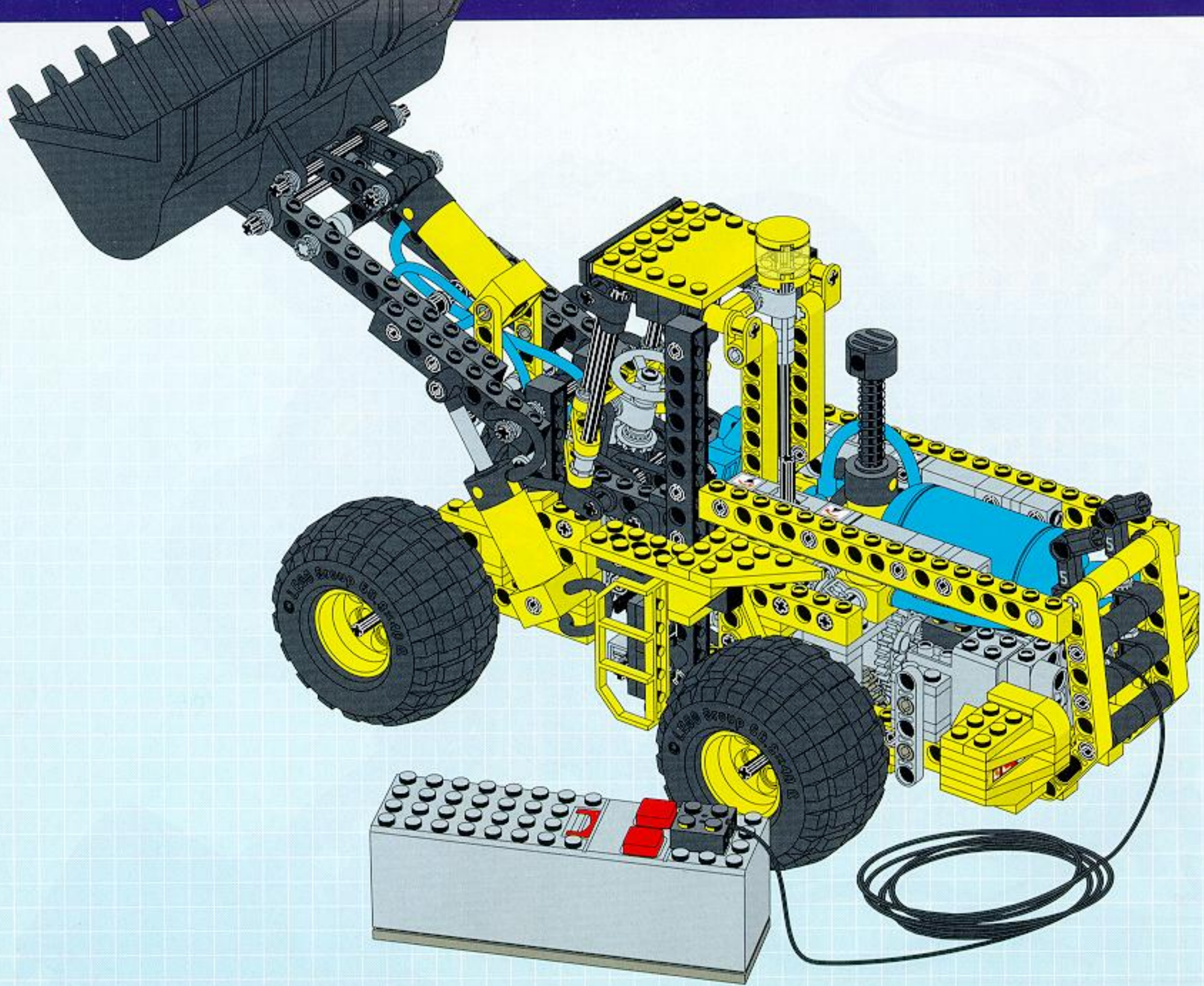
6





7









**air
TANK**

**air
TANK**

