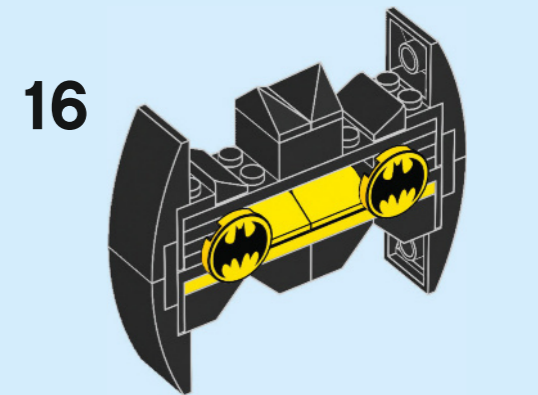
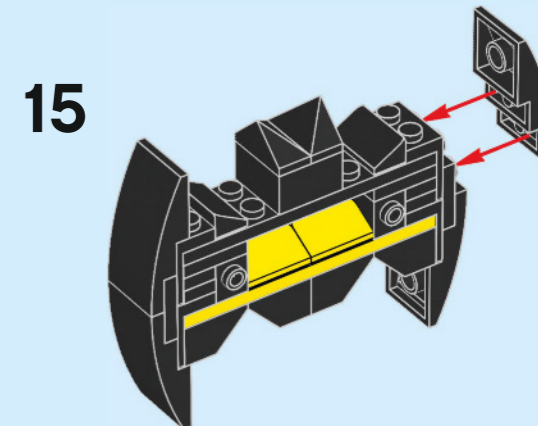
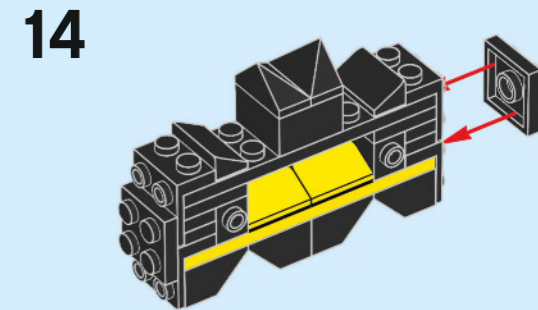
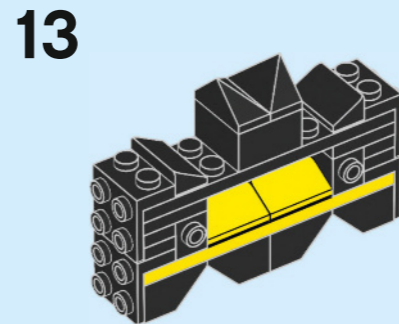
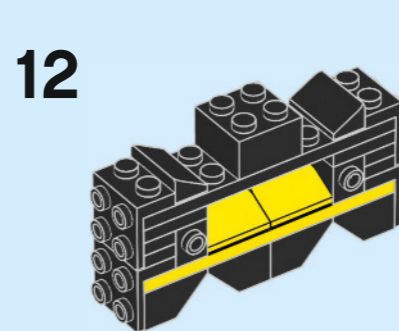
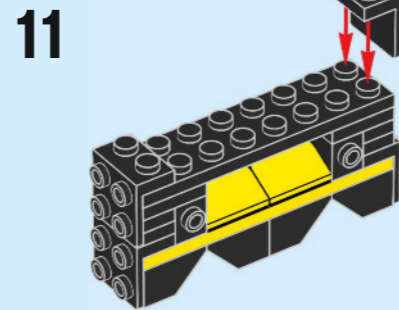
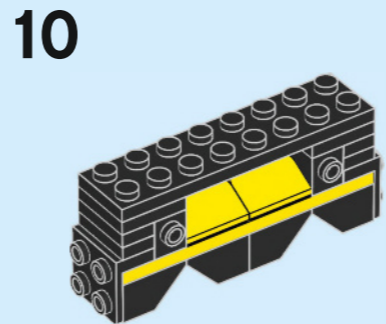
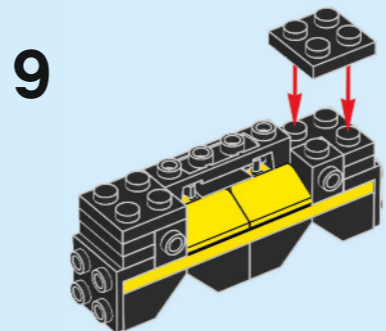
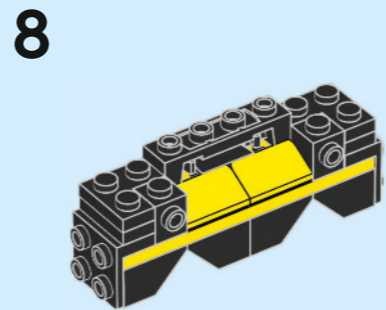
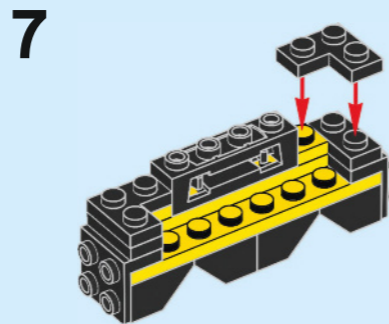
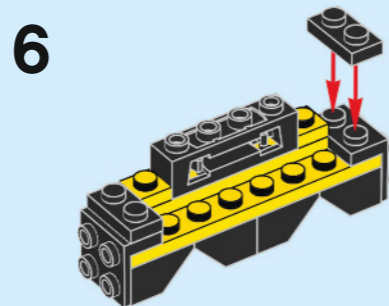
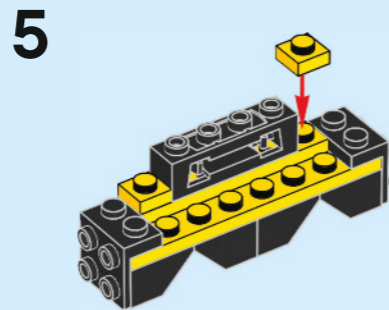
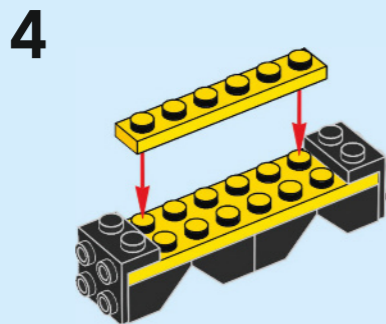
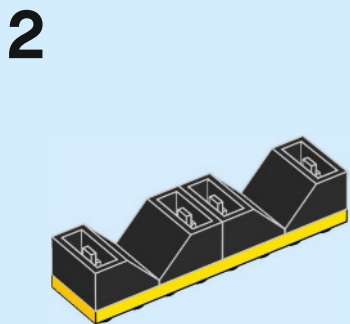
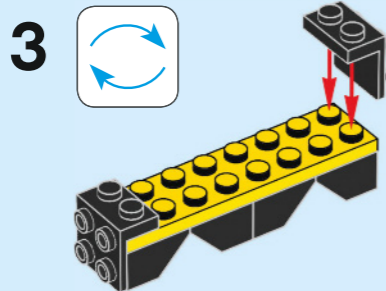
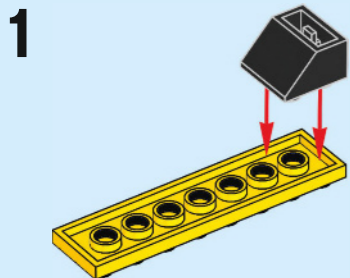
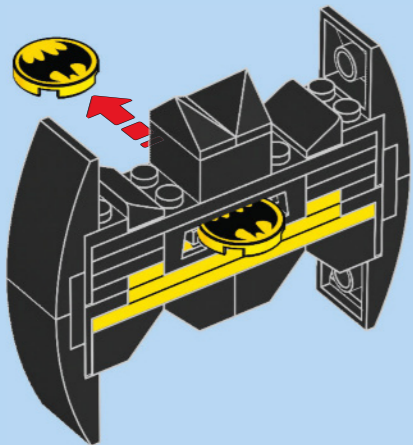




40301



6225143





THE BATMAN MOVIE



THE LEGO® BATMAN MOVIE © & ™ DC Comics, Warner Bros. Entertainment Inc., & The LEGO Group.
LEGO, the LEGO logo, the Minifigure and the Brick and Knob configurations are trademarks and/or
copyrights of the LEGO Group. ©2018 The LEGO Group.
DC logo, BATMAN and the all related characters and elements © & ™ DC Comics.
All right reserved. WB SHIELD: TM & © WBEI. (s18) 6225143

LEGO.com/service

LEGO.com/BATMANMOVIE