



**SPEED**  
CHAMPIONS

76912





We're switching from plastic to paper-based packaging. That's why you might find a mix of paper and plastic in our boxes!

Wir stellen von Kunststoffverpackungen auf Verpackungen auf Papierbasis um. Möglicherweise findest du deshalb sowohl Papier als auch Kunststoff in unseren Boxen!

Nous abandonnons progressivement les emballages en plastique au profit d'emballages à base de papier. Il est donc possible que vous trouviez à la fois du papier et du plastique dans nos boîtes !

Stiamo passando dagli imballaggi di plastica a quelli basati su carta. Ecco perché potrete trovare un mix di carta e di plastica nelle nostre confezioni!

Estamos sustituyendo las bolsas de plástico por bolsas con base de papel. ¡Por eso, puede que encuentres una mezcla de papel y de plástico en nuestras cajas!

Estamos a substituir as nossas embalagens de plástico por embalagens à base de papel. Por isso poderá encontrar um misto de papel e plástico nas nossas caixas!

Átállunk a műanyagról a papír alapú csomagolásra. Ezért előfordulhat, hogy a dobozainkban papír és műanyag zacskót egyaránt találás!

Mēs pārejam no plastmasas iepakojuma uz iepakojumu, kurā izmantots papīrs. Tāpēc mūsu kārbās var būt gan papīra, gan plastmasas daļas.

Trecem de la ambalaje din material plastic la ambalaje pe bază de hârtie. Iată de ce s-ar putea să găsești un amestec de hârtie și material plastic în cutiile noastre!

我们正在从塑料包装向纸基包装过渡。这就是为什么你可能会发现我们的包装盒中同时出现塑料和纸质材料！

[LEGO.com/sustainable-packaging](https://www.lego.com/sustainable-packaging)



Check for compatibility  
Kompatibilität prüfen  
Vérifier la compatibilité  
Controlla la compatibilità  
Comprueba tu compatibilidad  
Verificar a compatibilidade  
Ellenőrizd a kompatibilitást  
Pārbaudīt saderību  
Verificarea compatibilității  
检查兼容性

[LEGO.com/devicecheck](https://LEGO.com/devicecheck)

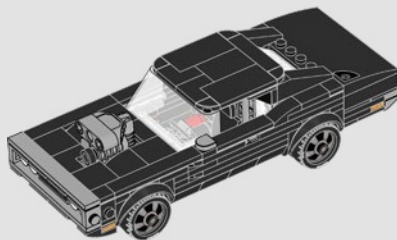
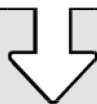
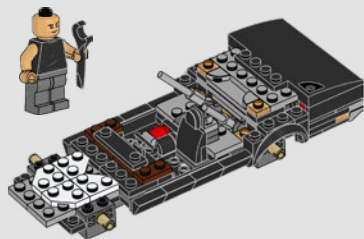
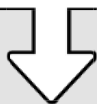
## 乐高®拼搭指引

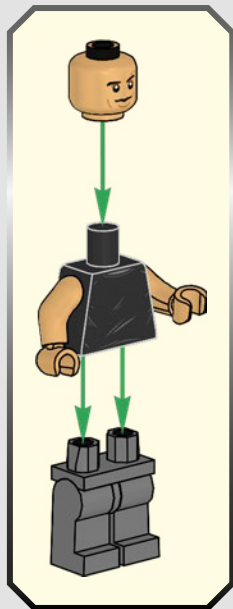


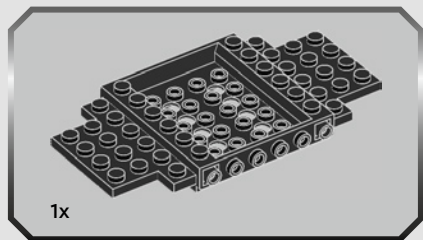
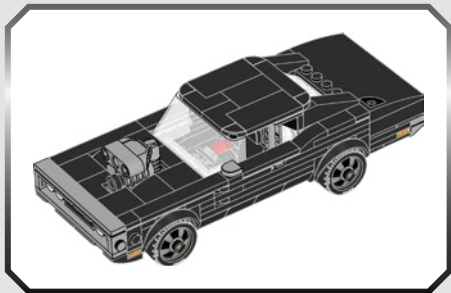
LEGO® Building Instructions



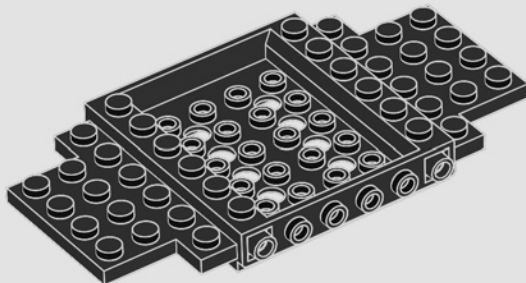
Apple and the Apple logo are trademarks of Apple Inc.  
Google Play and the Google Play logo are trademarks of Google LLC.  
Tencent and the Tencent logo are trademarks of Tencent Inc.

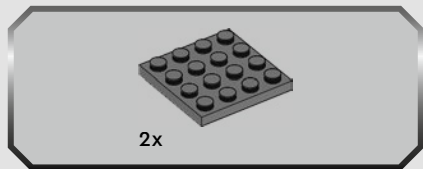




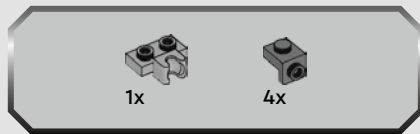
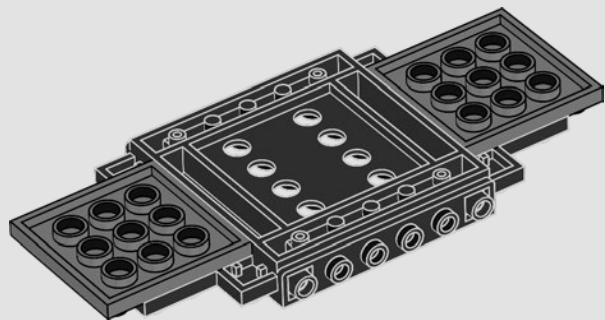


1

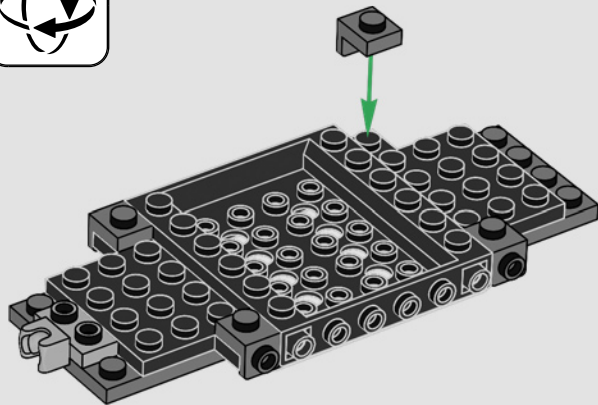


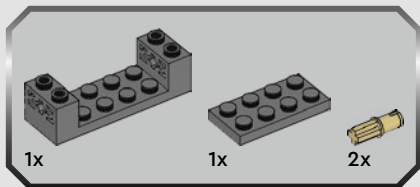


2

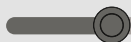
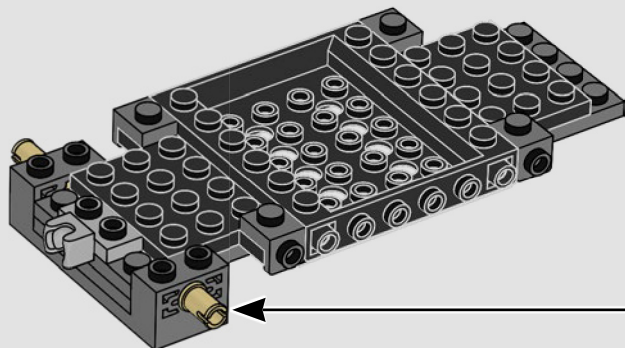
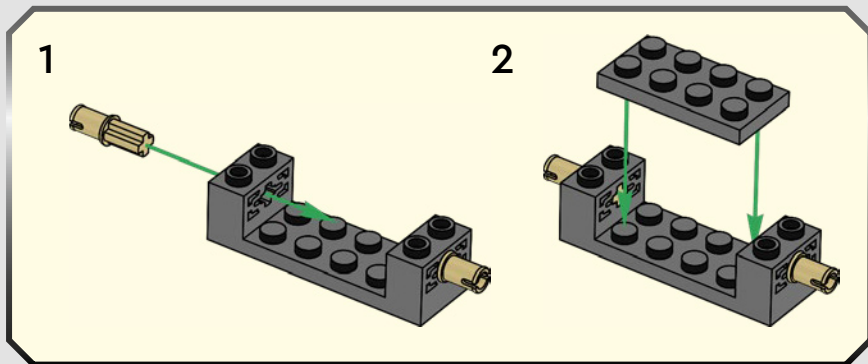


3

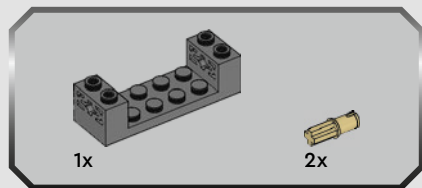




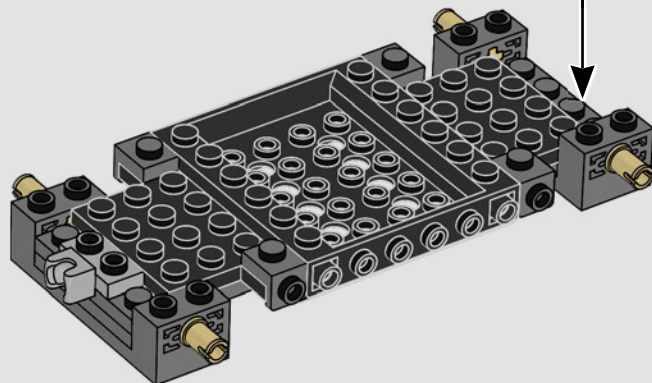
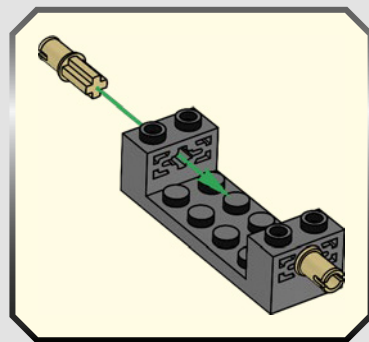
4







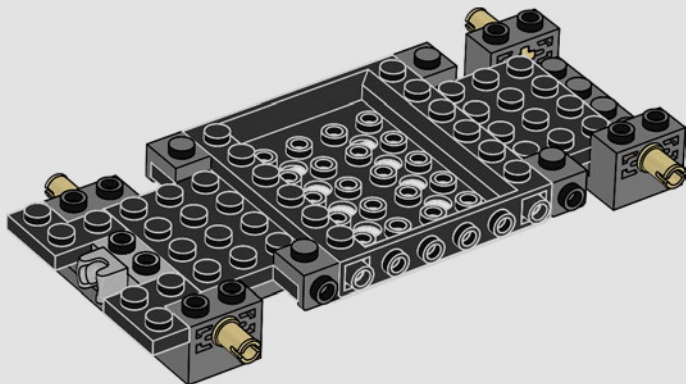
5





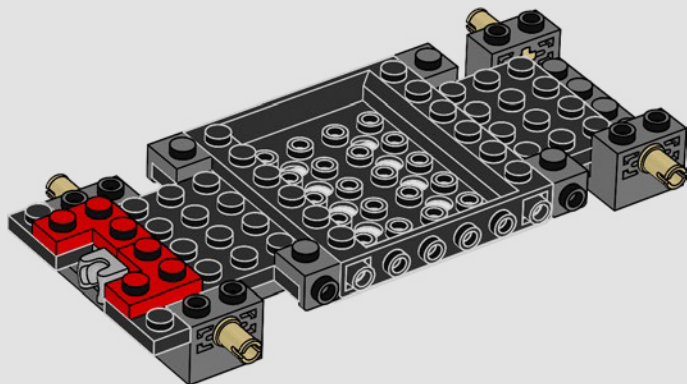
2x

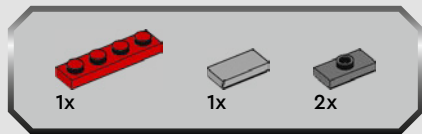
6



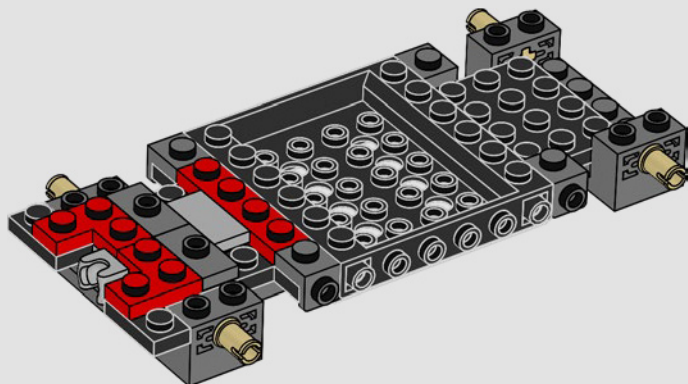


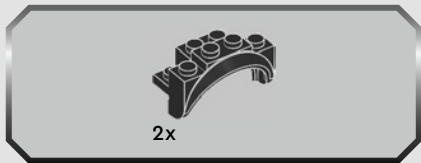
7



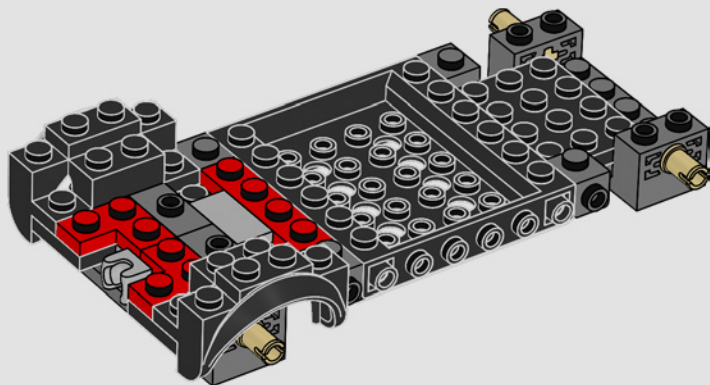


8



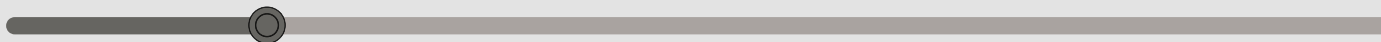
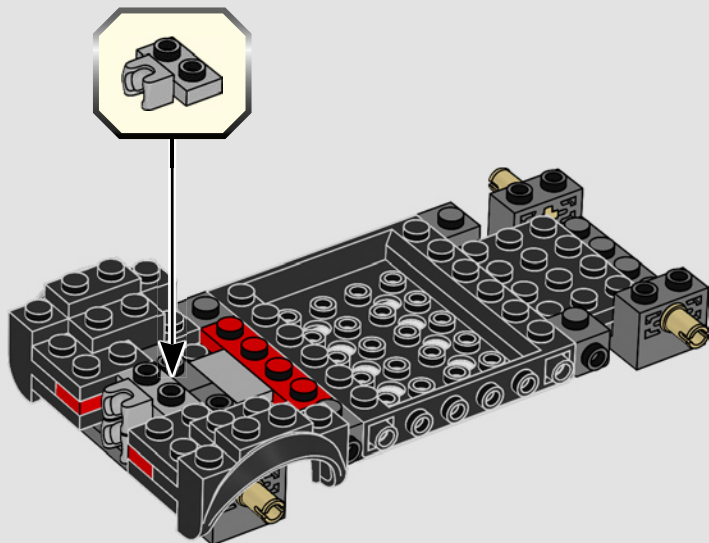


9





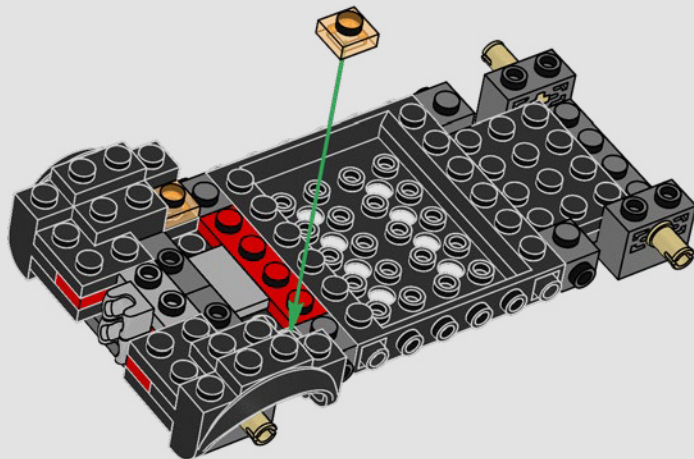
10

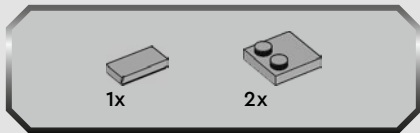




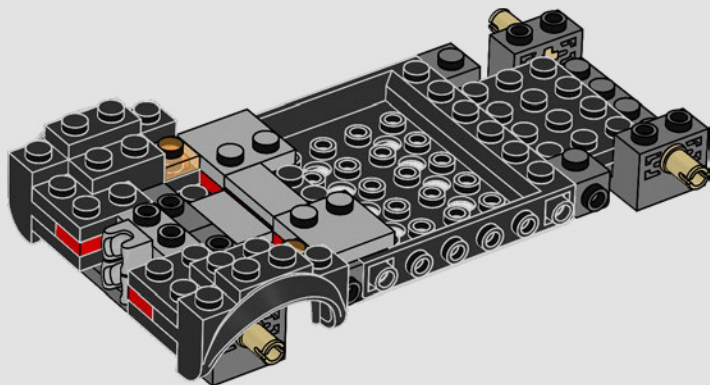
2x

11

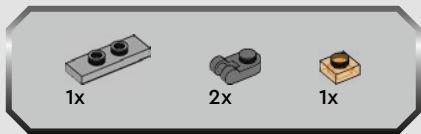




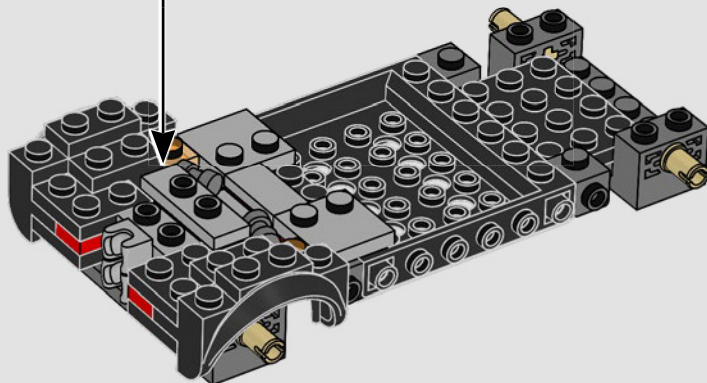
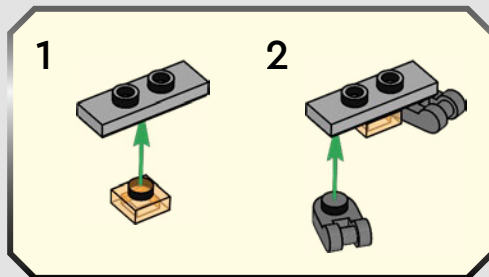
12

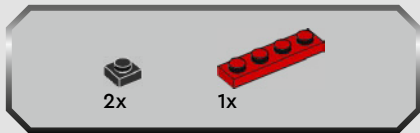




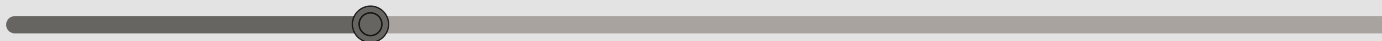
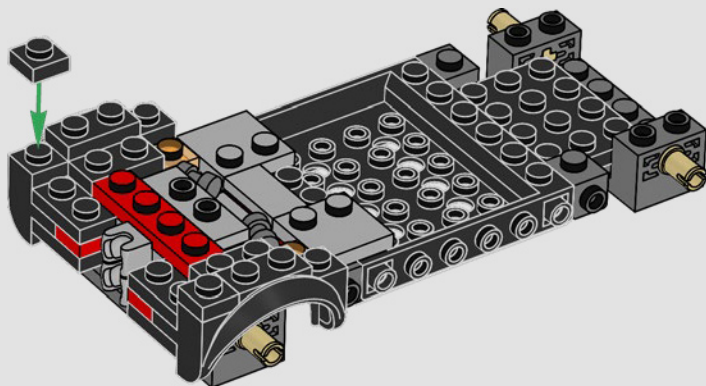


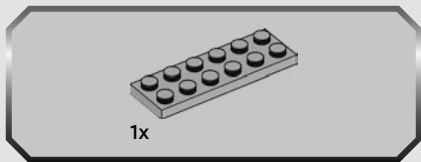
13



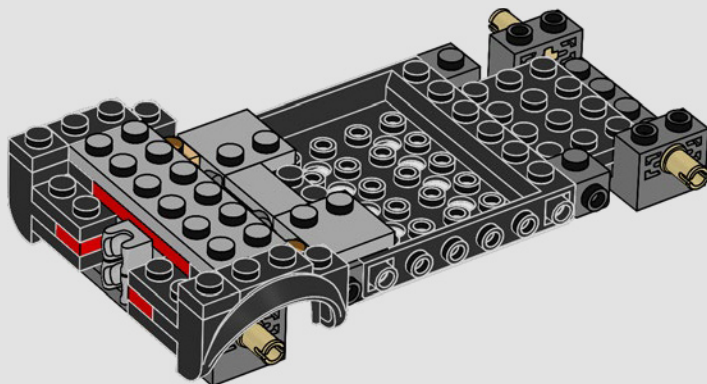


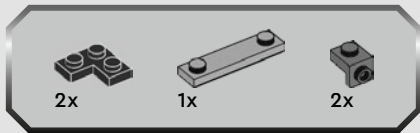
14



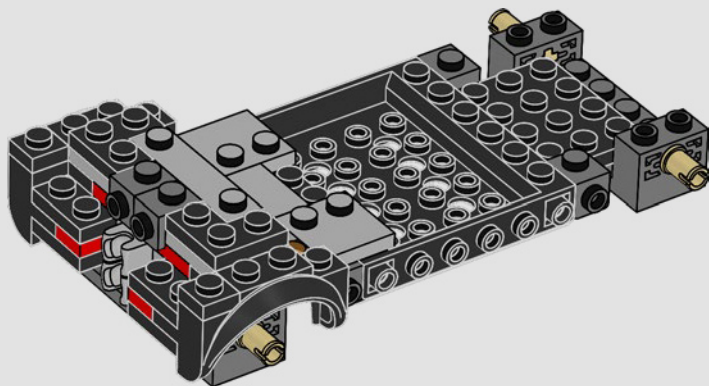


15



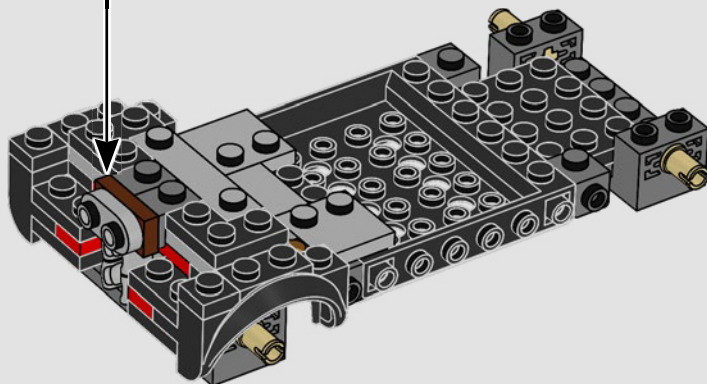
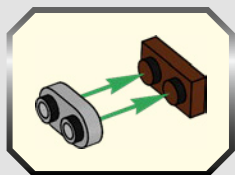


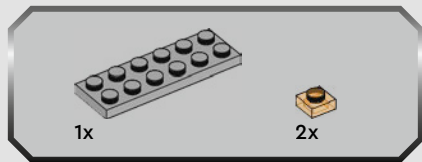
16



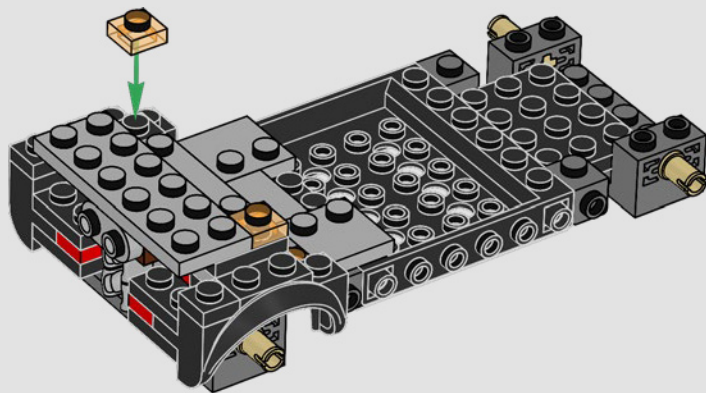


17





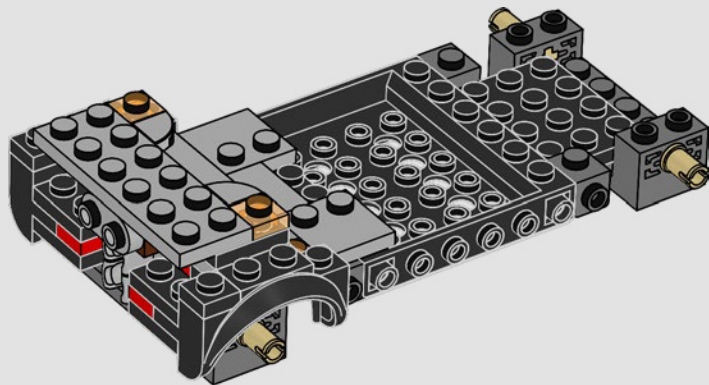
18





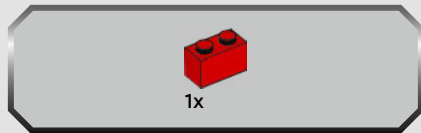
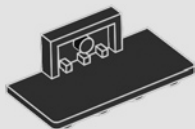
2x

19





20



21



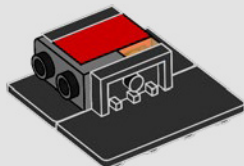
22



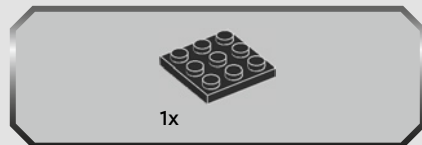
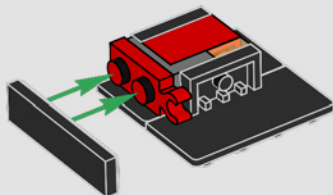




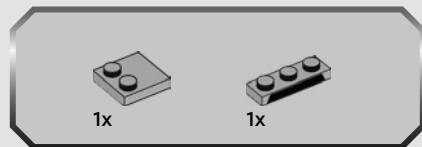
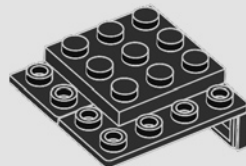
23



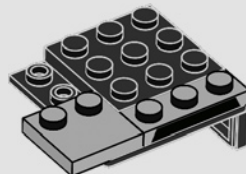
24

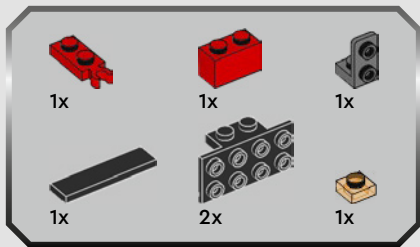


25



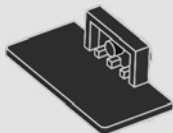
26



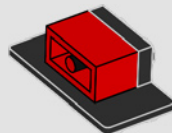


27

1



2



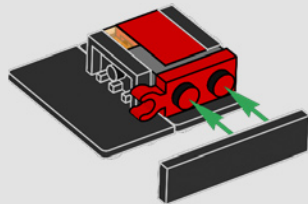
3



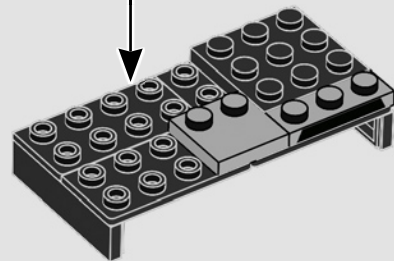
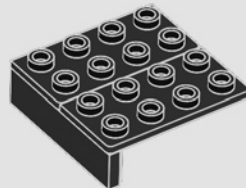
4

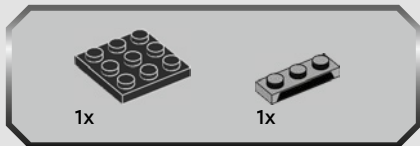


5

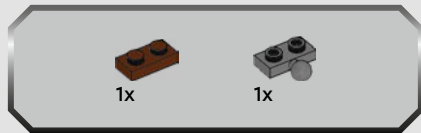
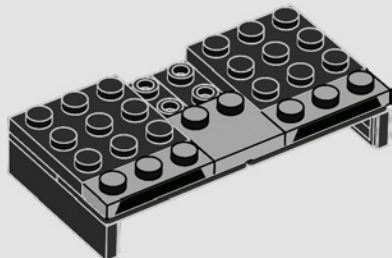


6

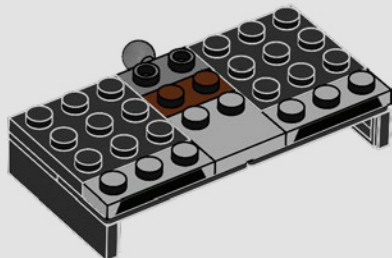


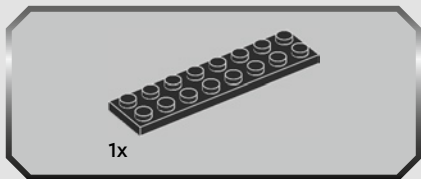


28

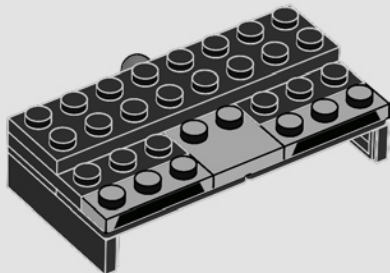


29

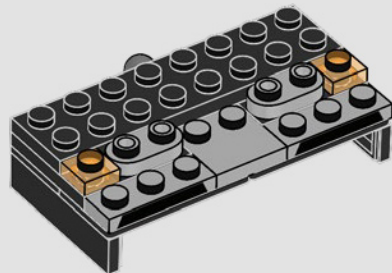




30

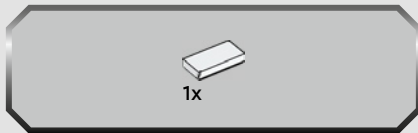
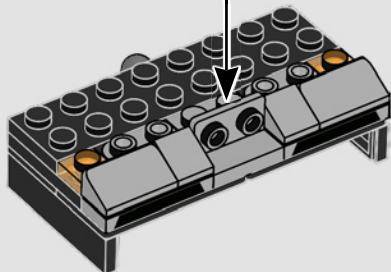
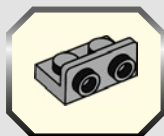


31

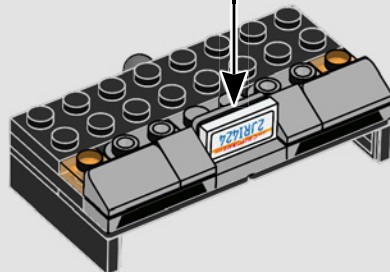
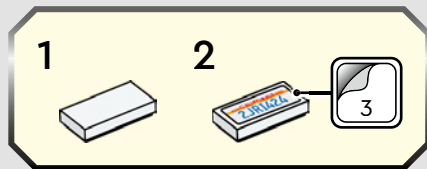




32

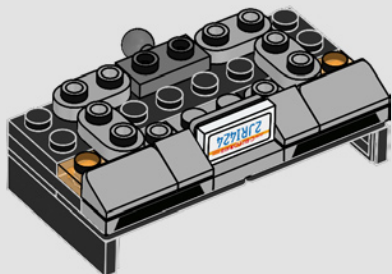


33



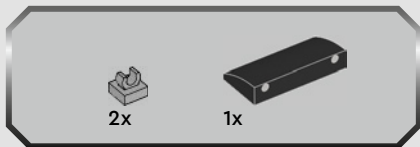


34

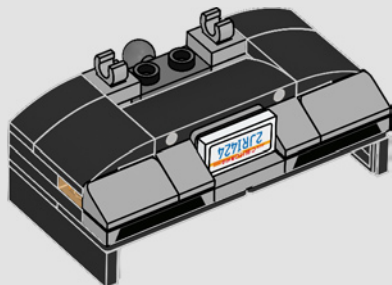


35

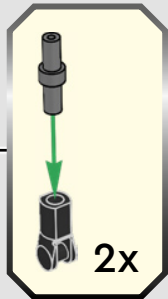
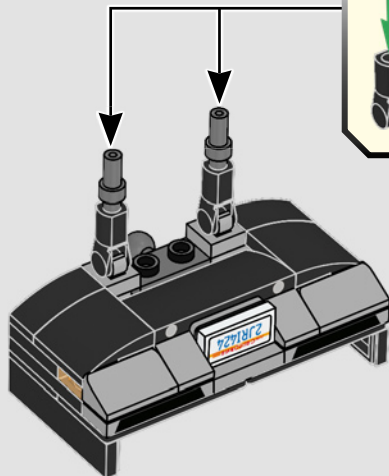




36

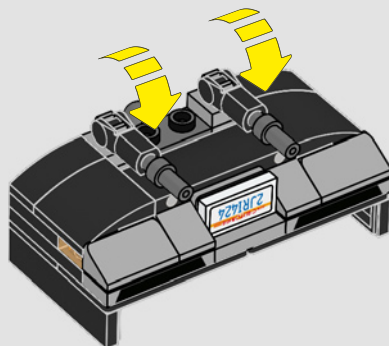


37

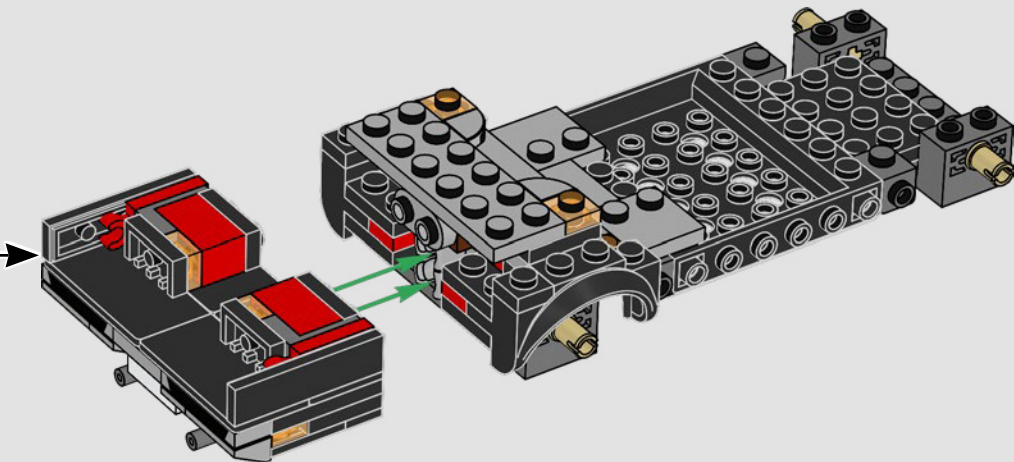


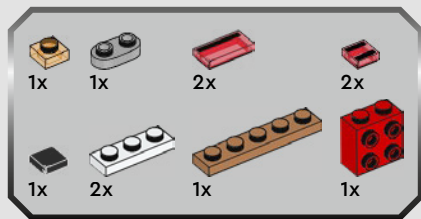


38



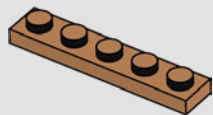
39



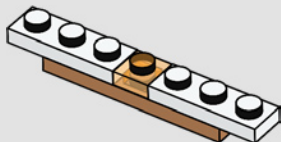


40

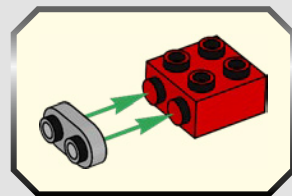
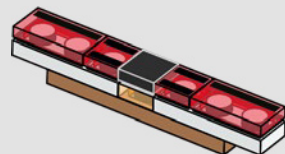
1



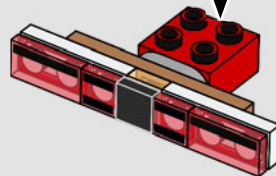
2

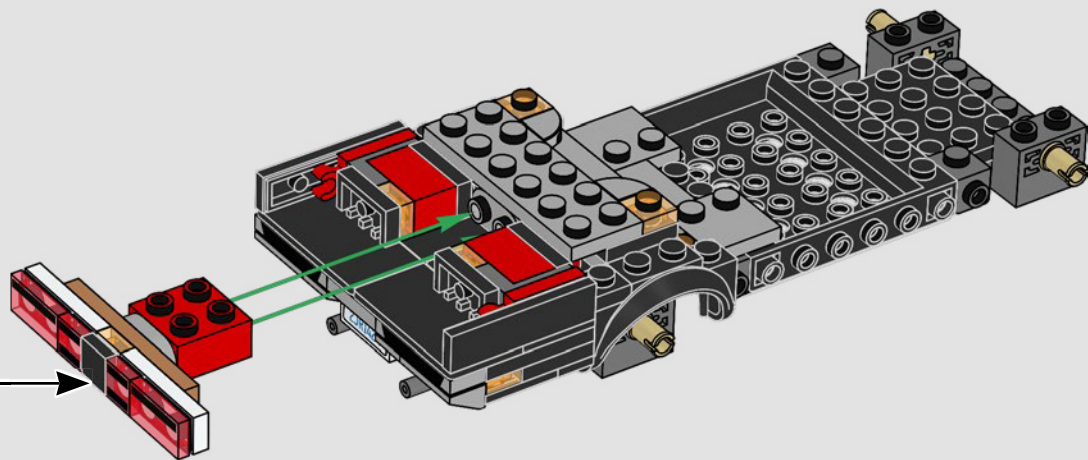


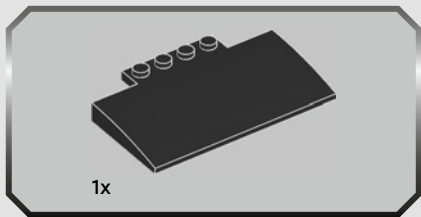
3



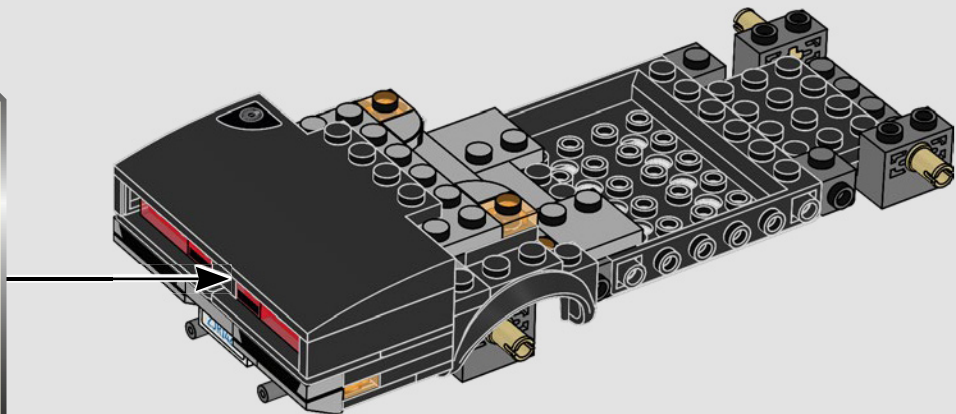
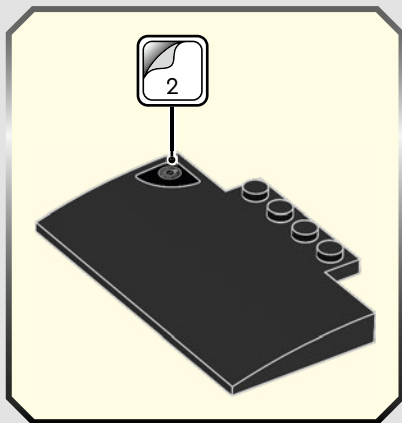
4







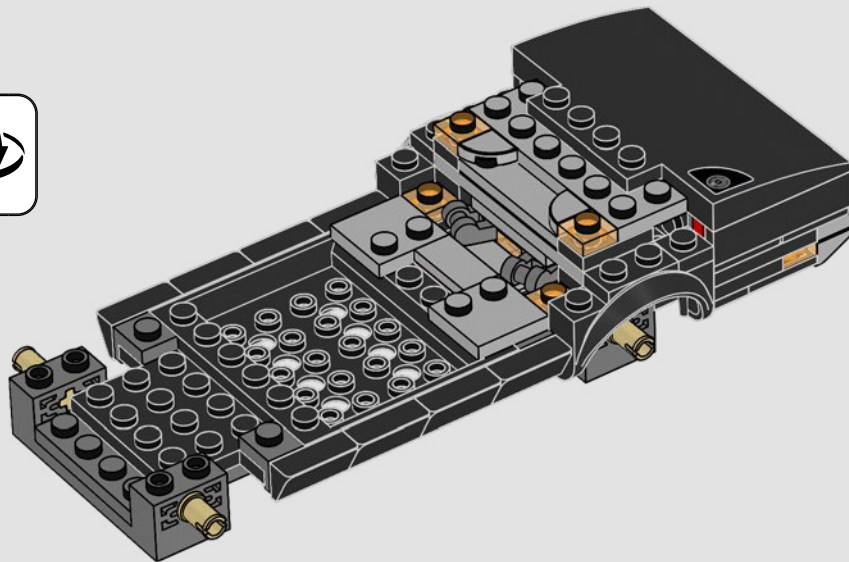
41

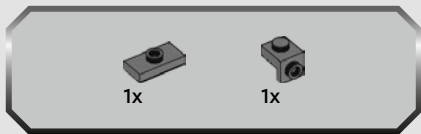




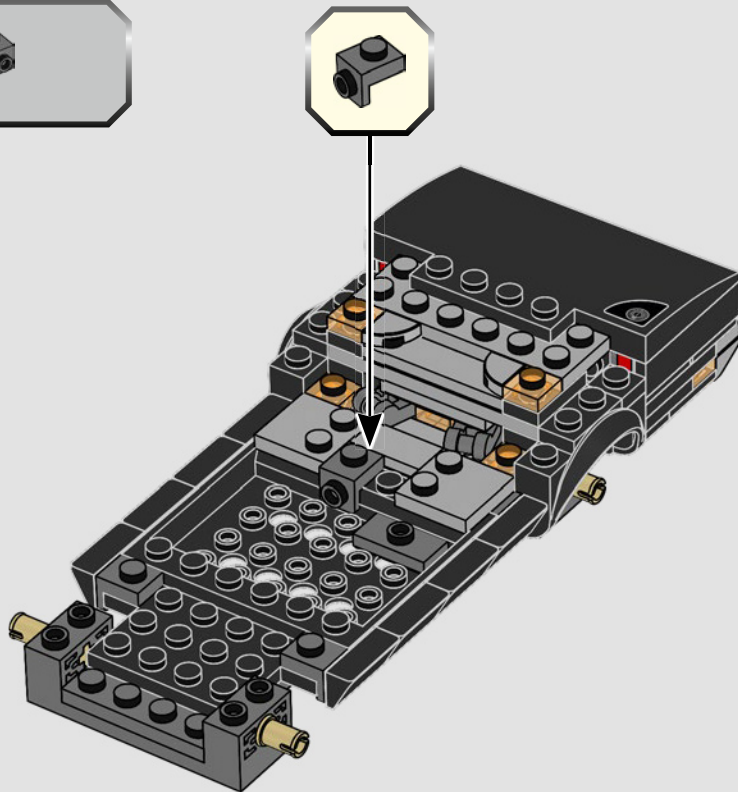
8x

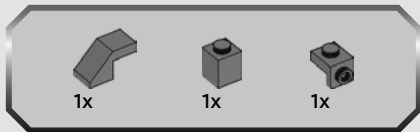
42



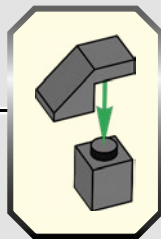
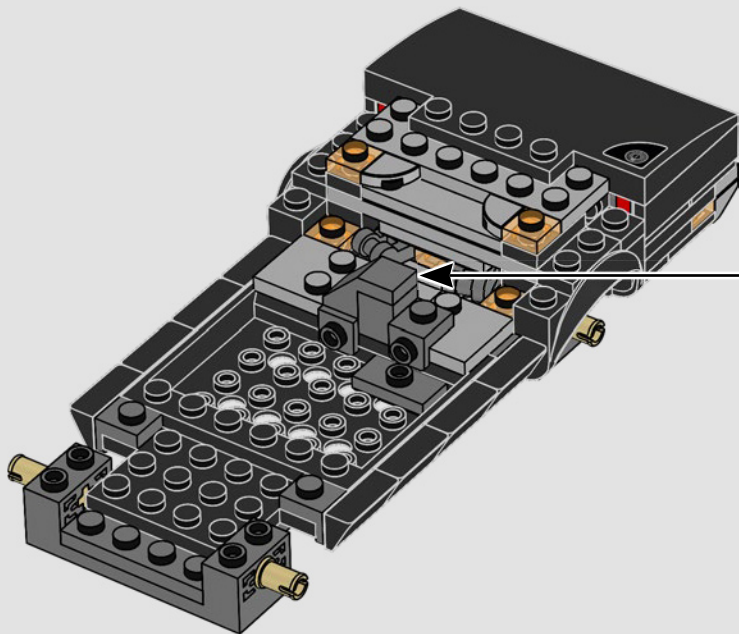


43





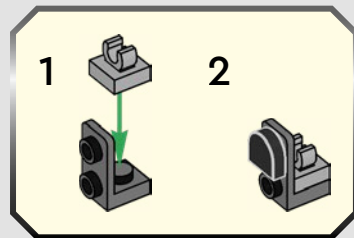
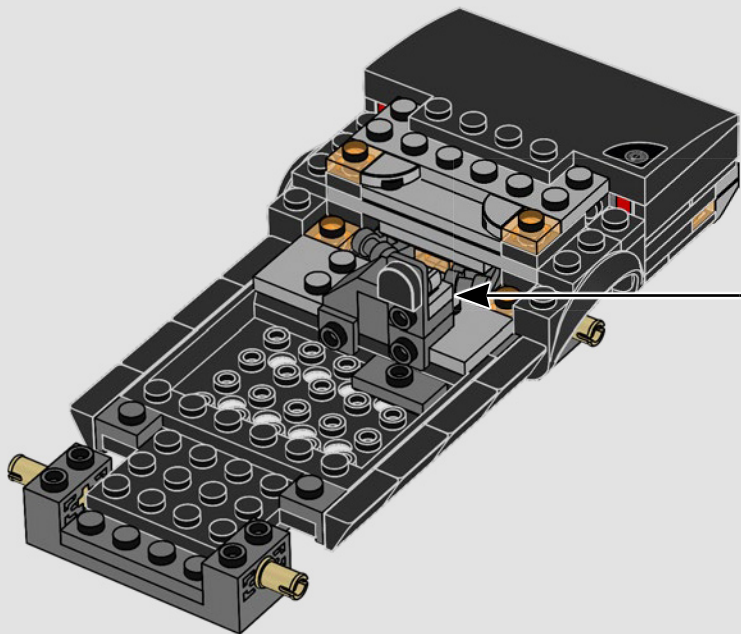
44

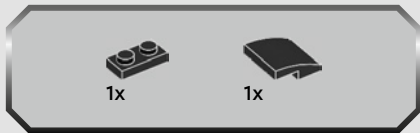




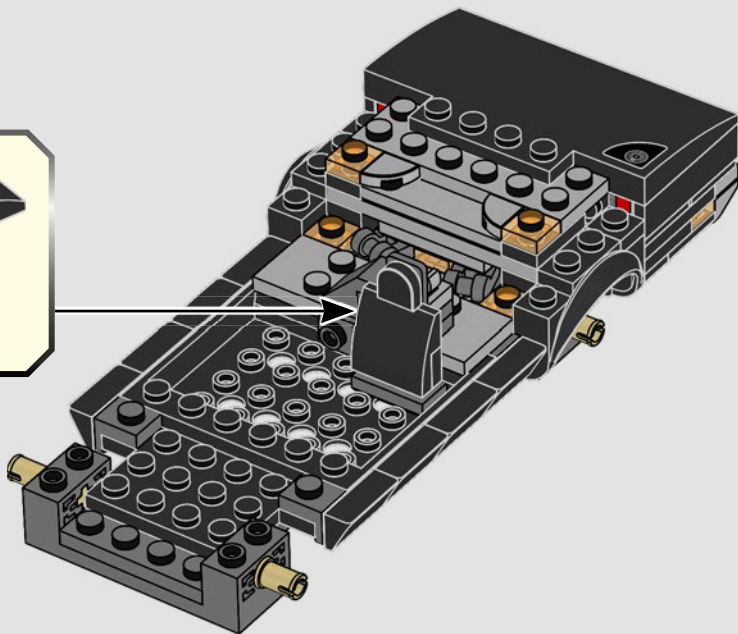
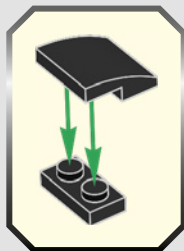


45



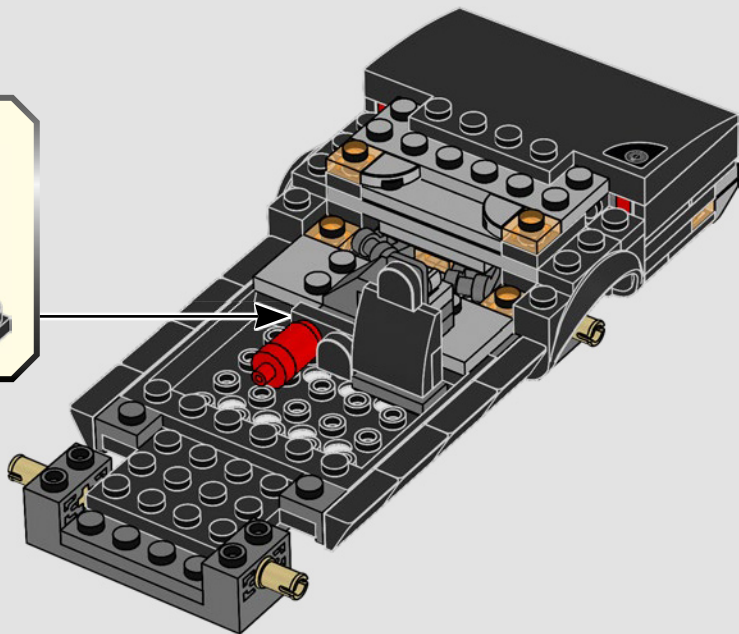
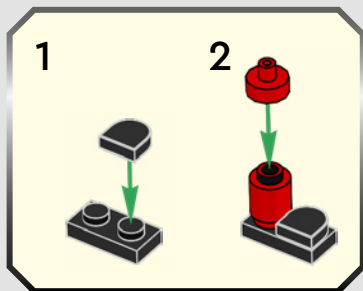


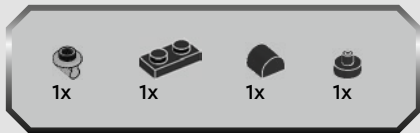
46



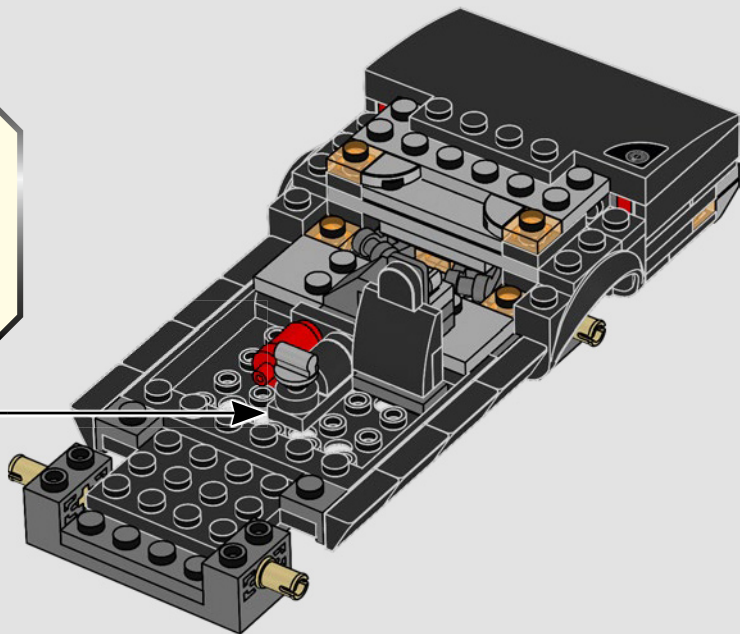
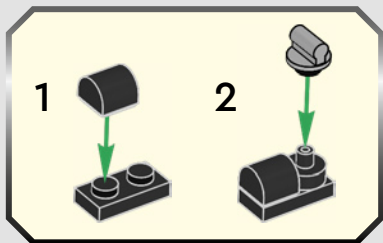


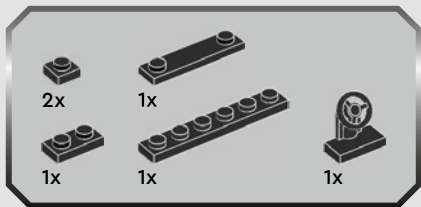
47





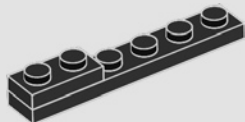
48



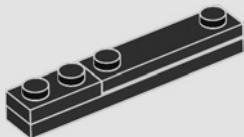


49

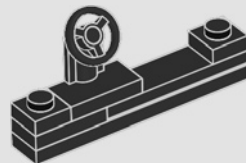
1

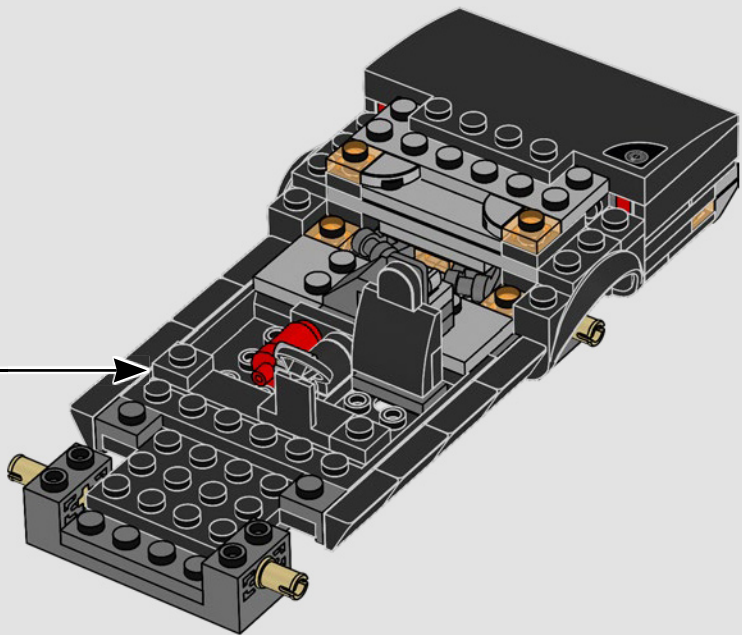


2



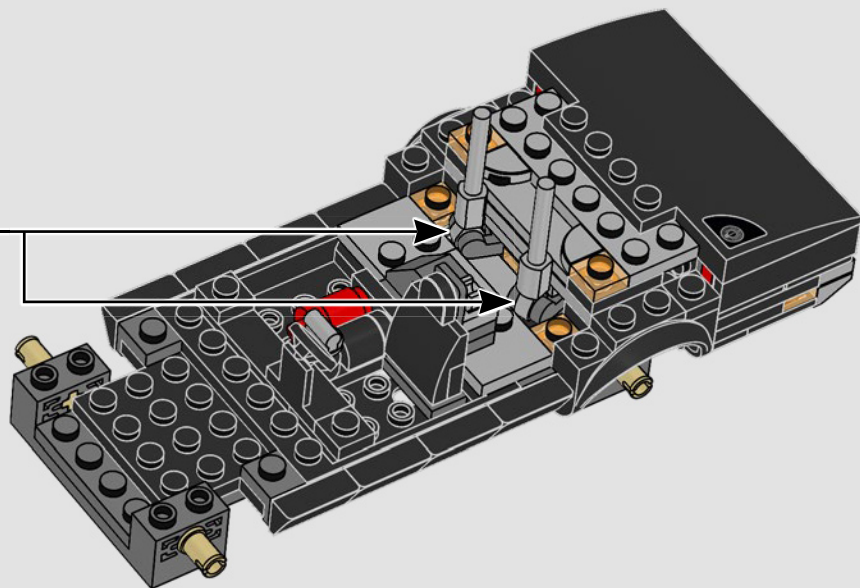
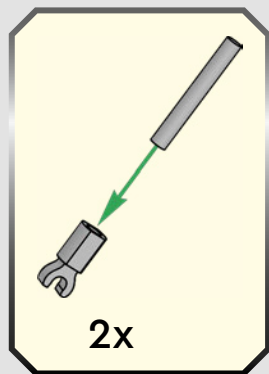
3







50



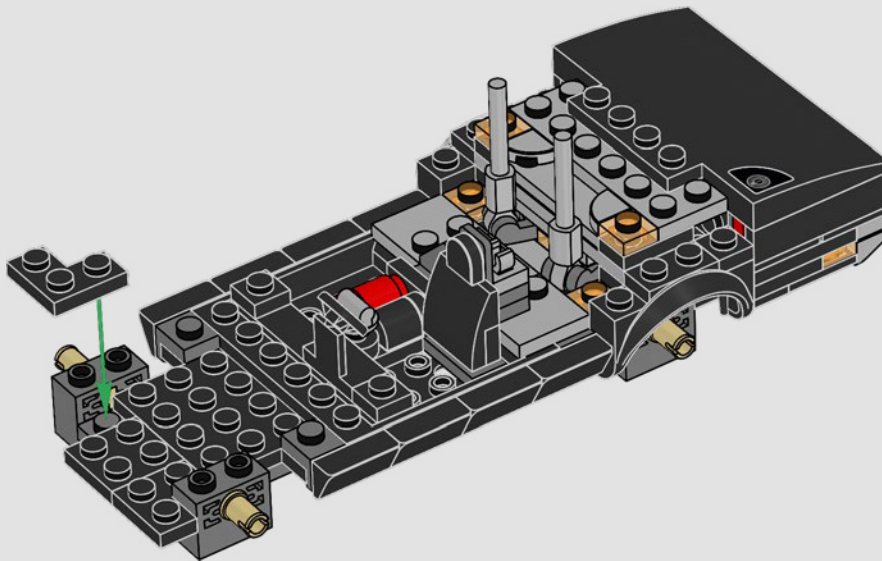


2x

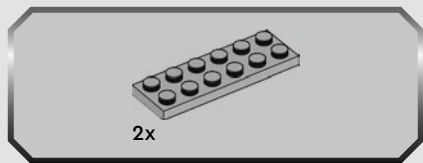


1x

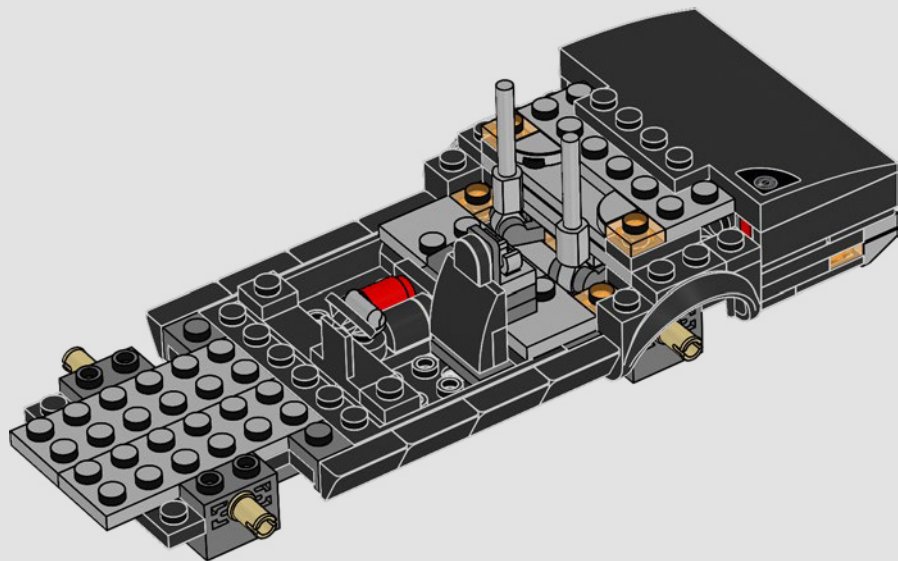
# 51







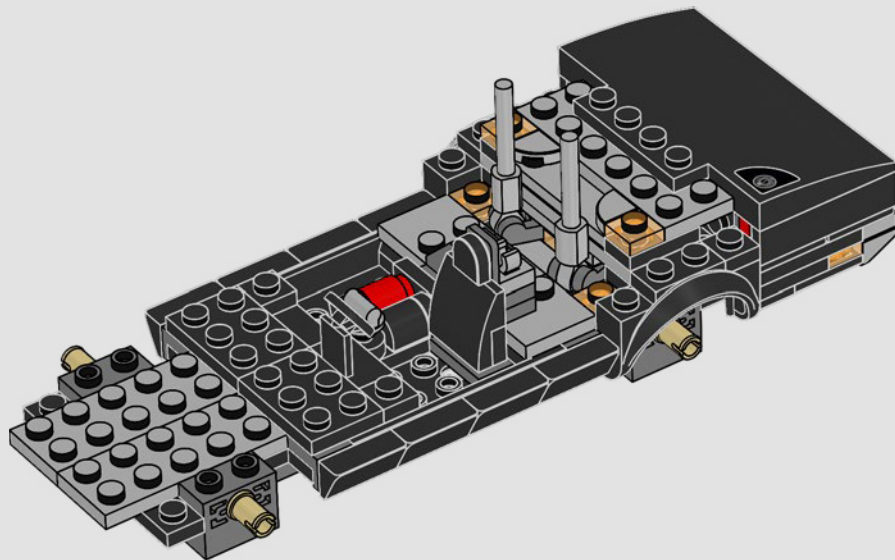
52





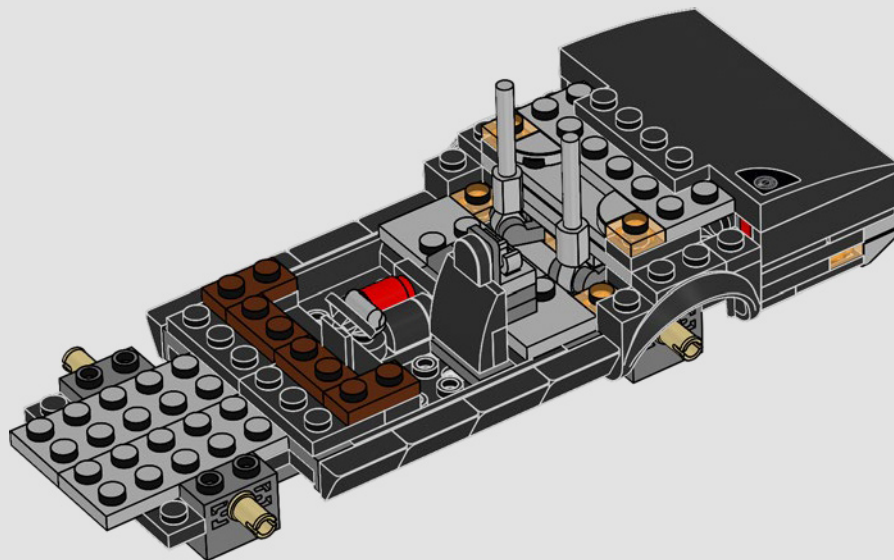
2x

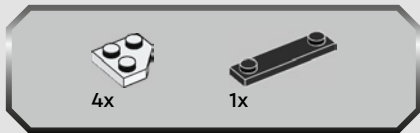
53



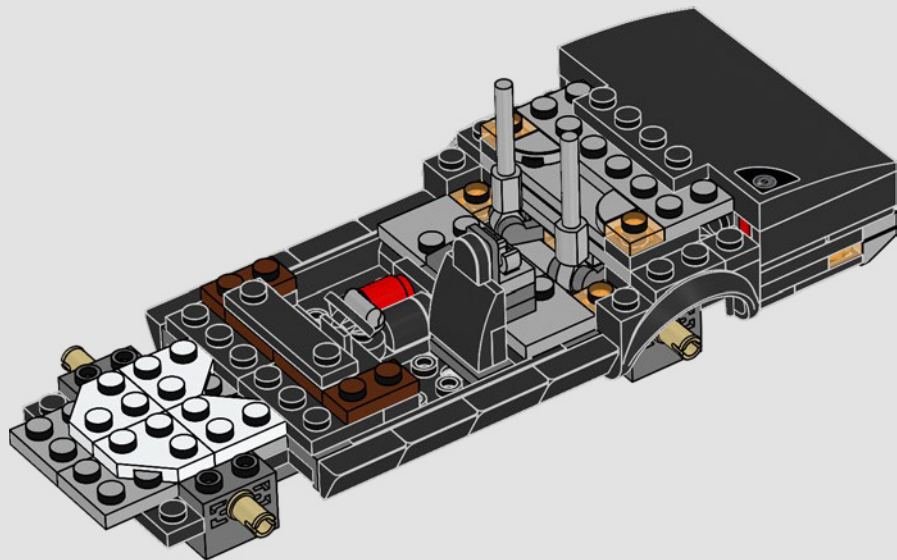


54

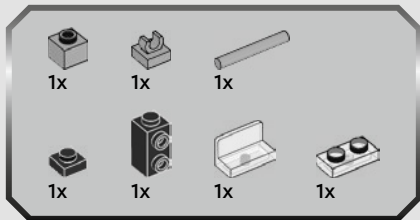




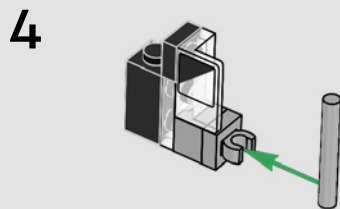
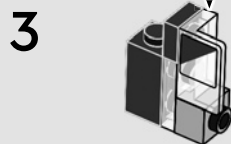
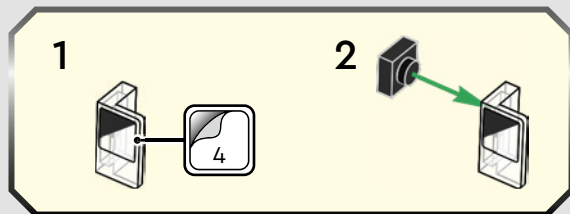
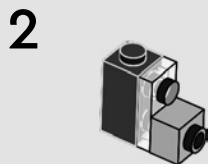
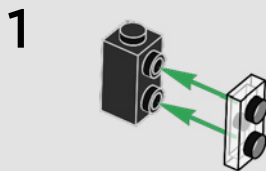
55

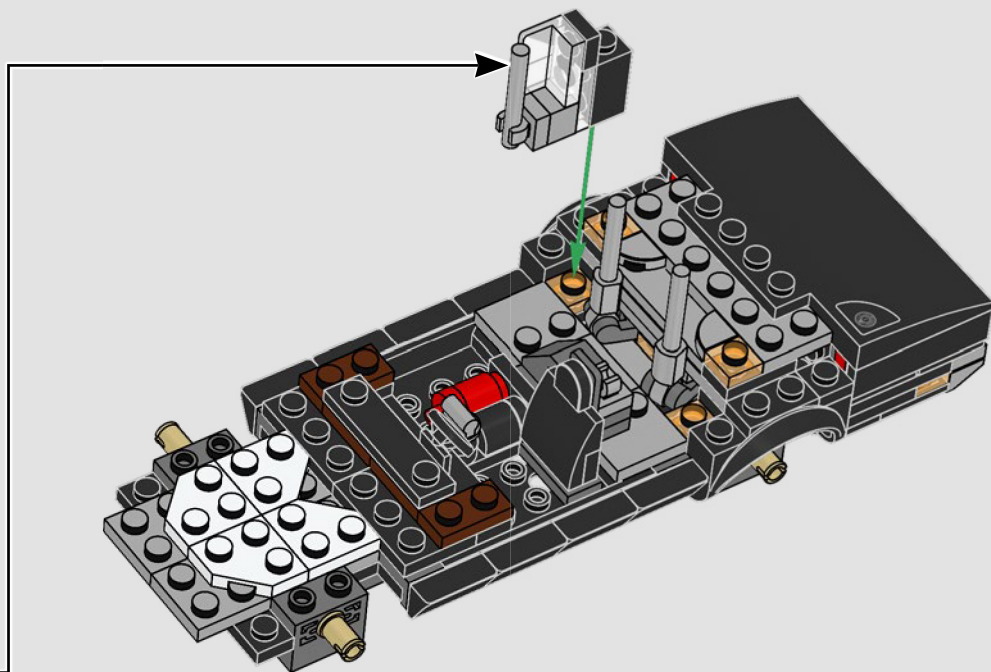


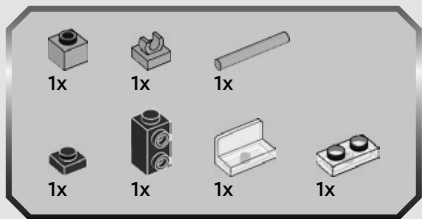




56

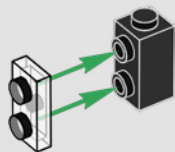




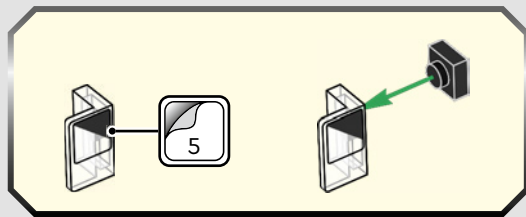


57

1



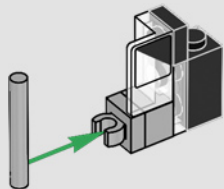
2



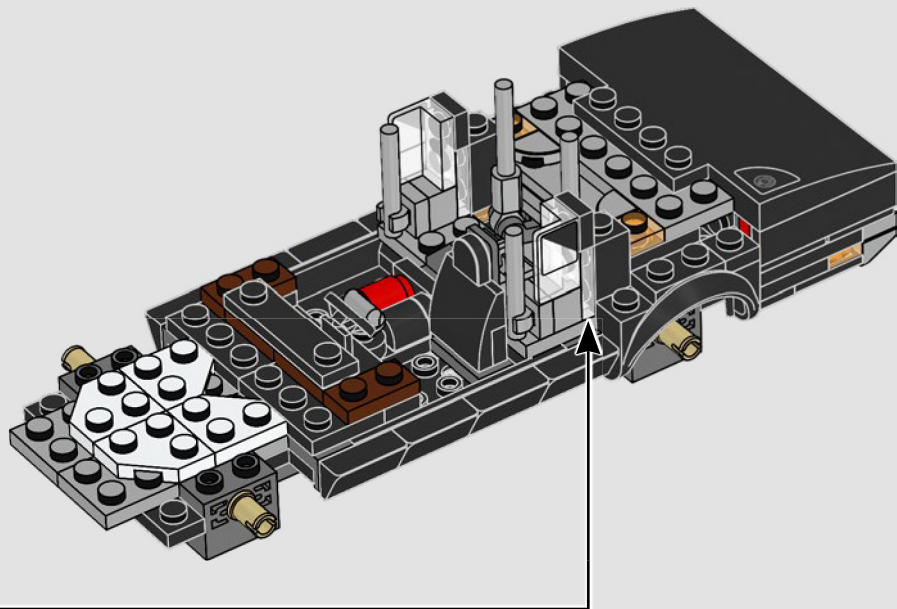
3

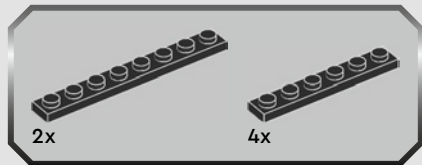
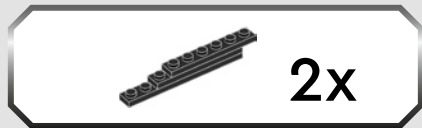


4



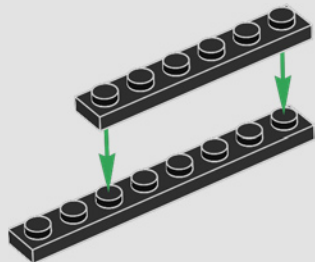




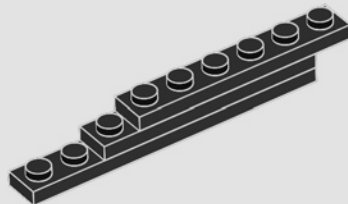


58

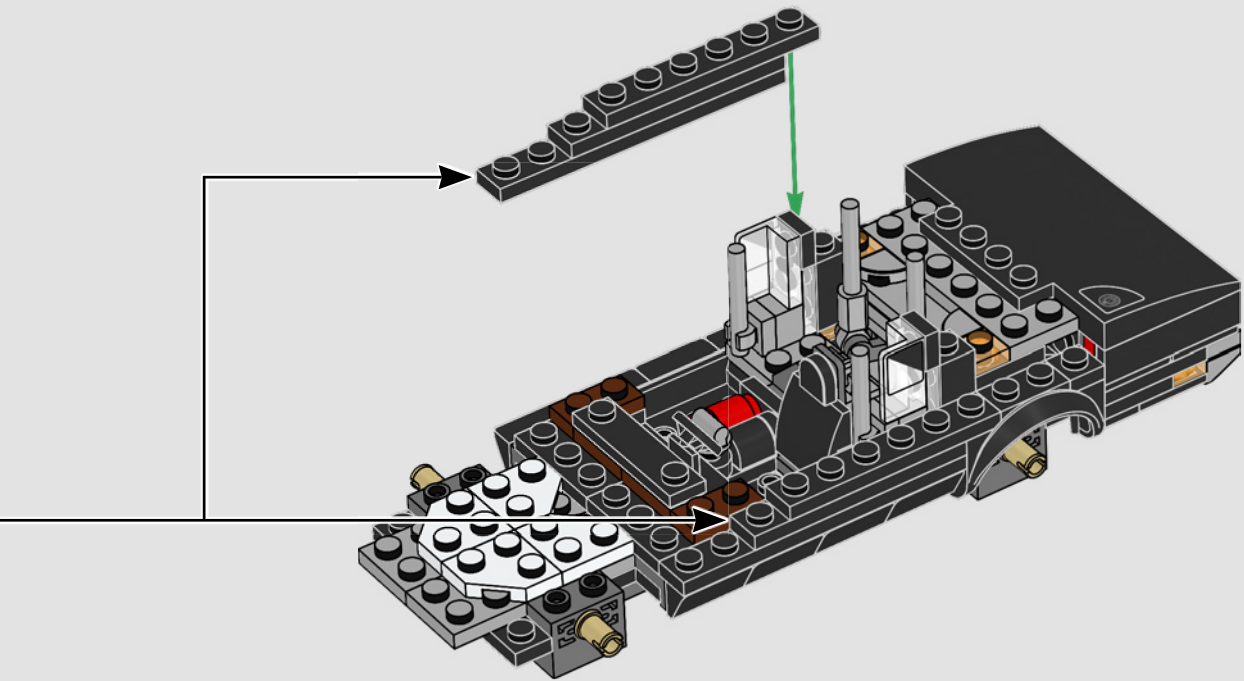
1



2

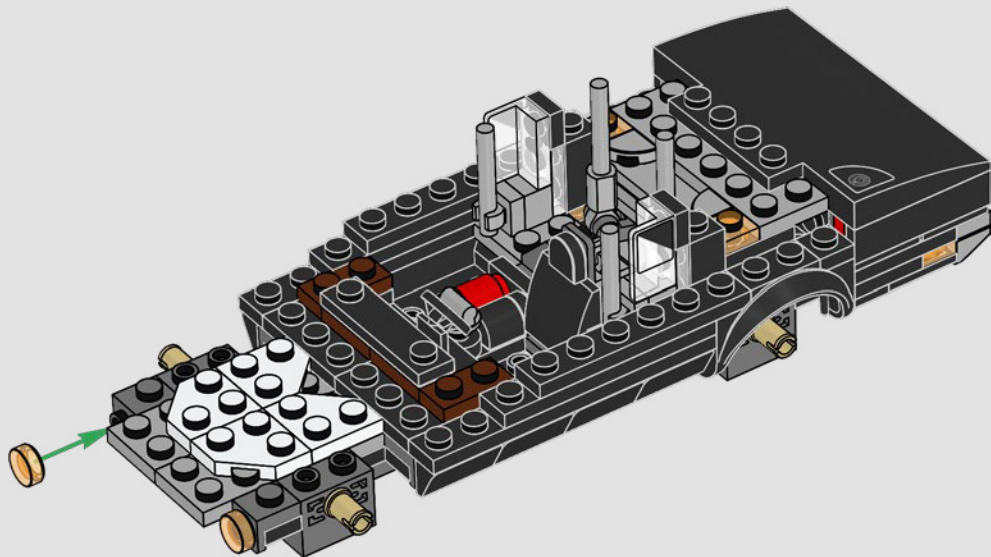


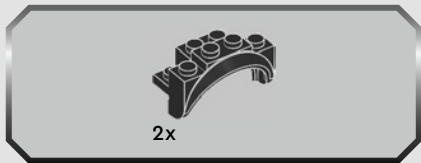
2x



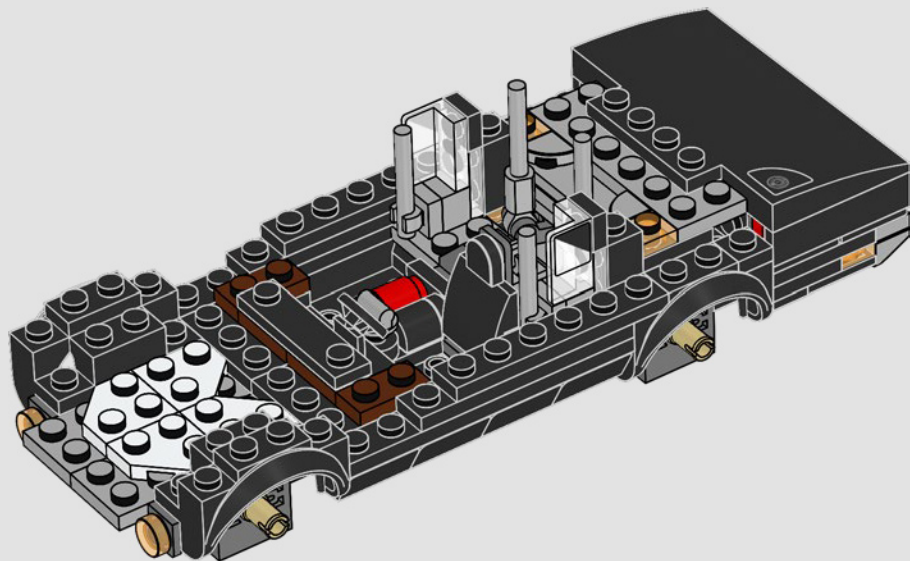


59



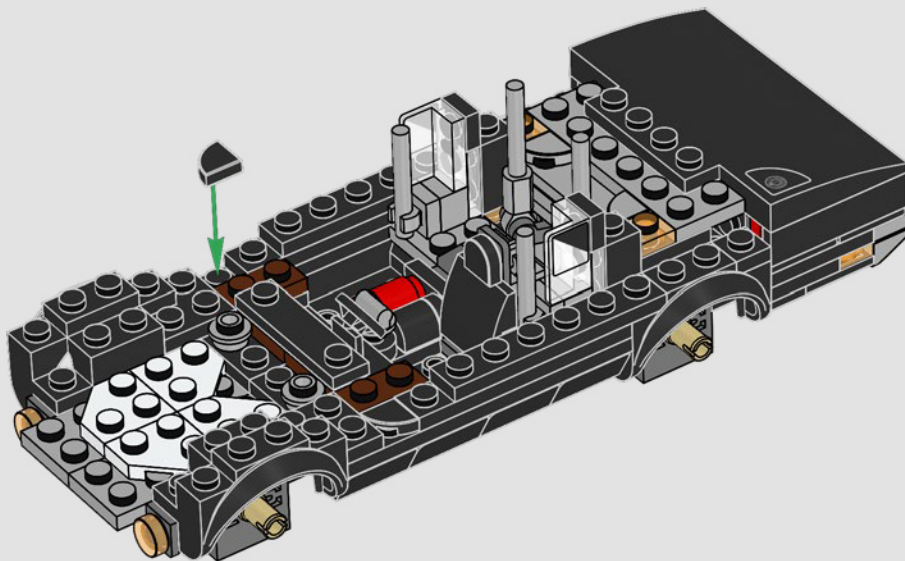


60



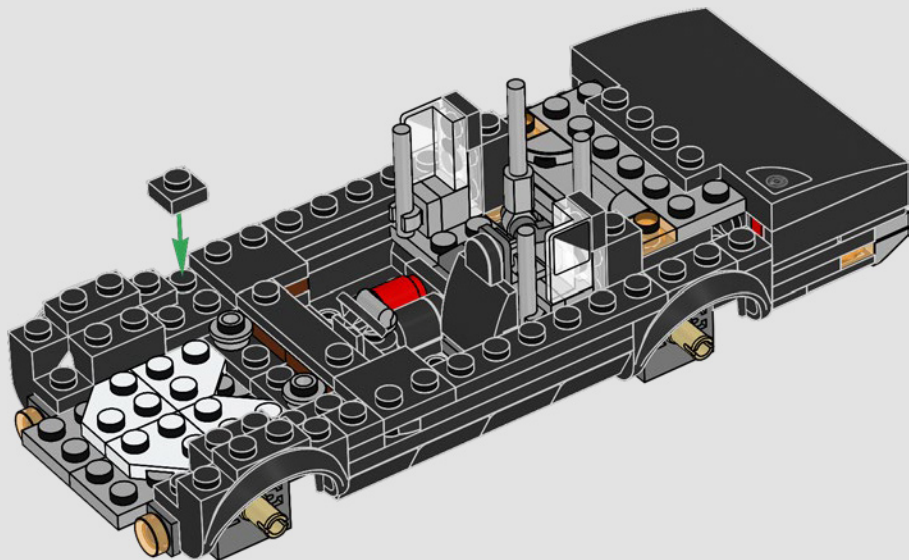


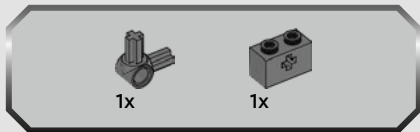
61



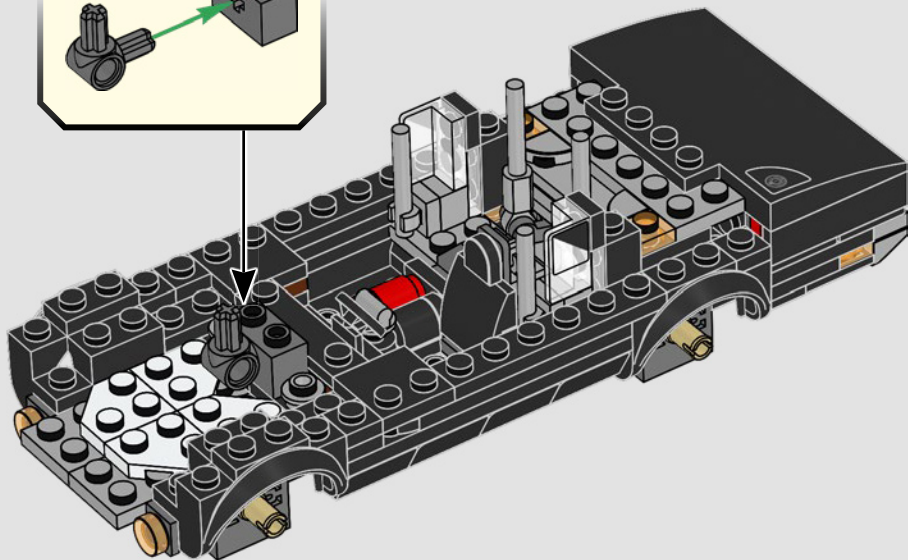
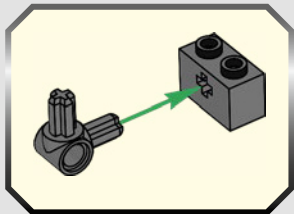


62





63

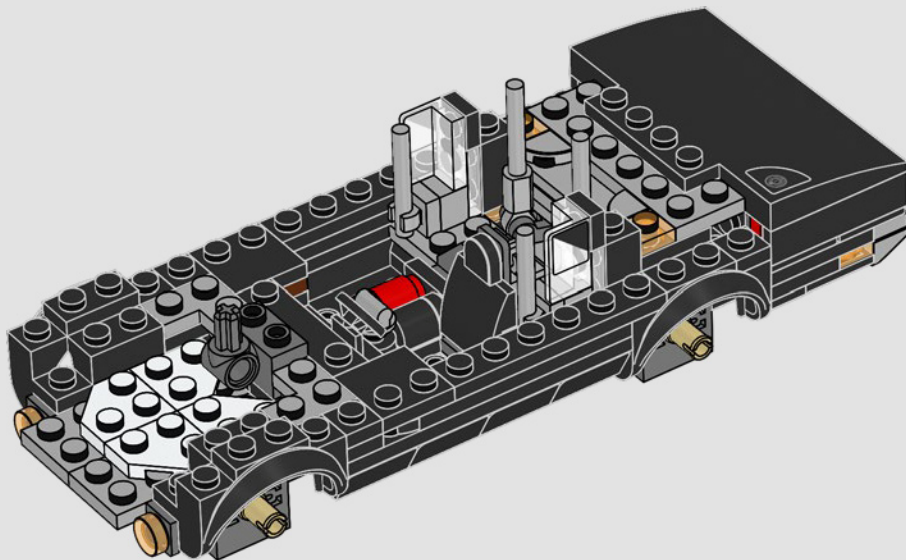






2x

64



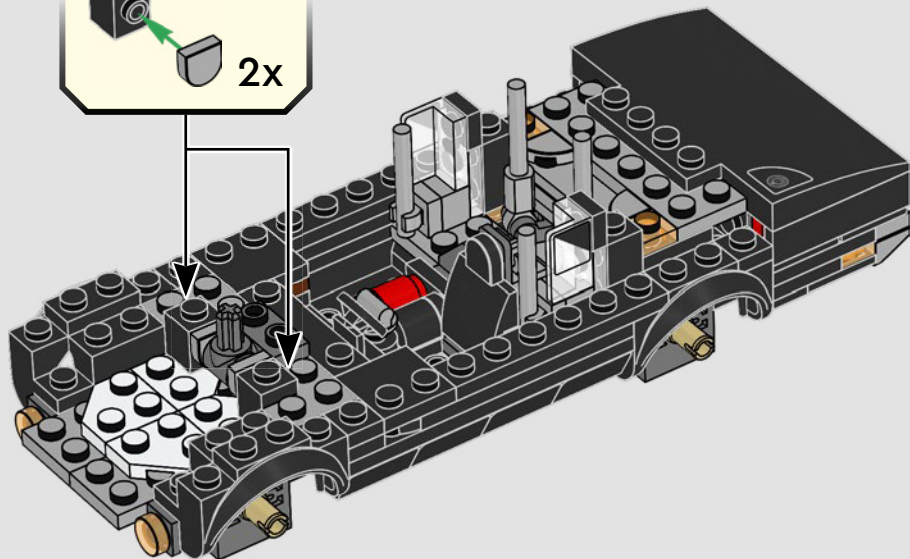
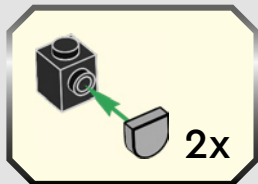


2x



2x

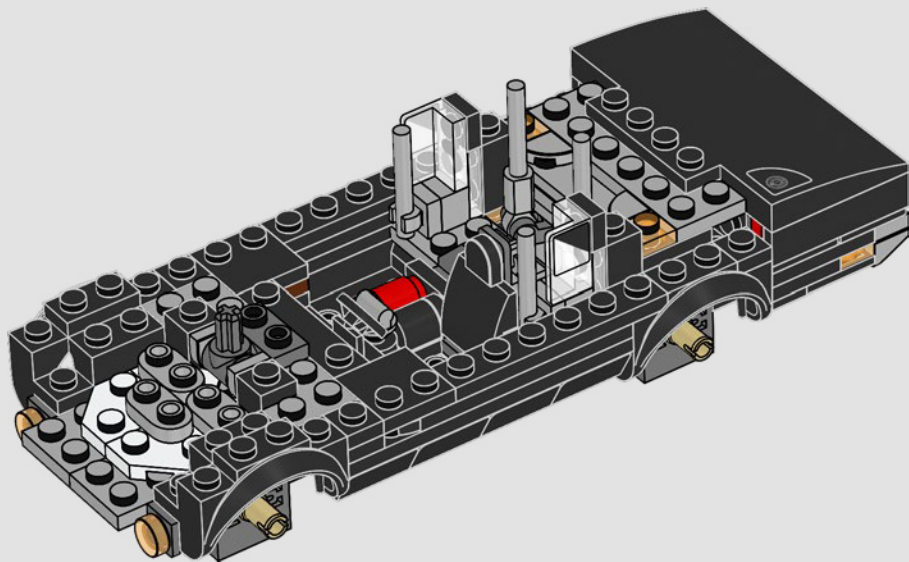
65





3x

66



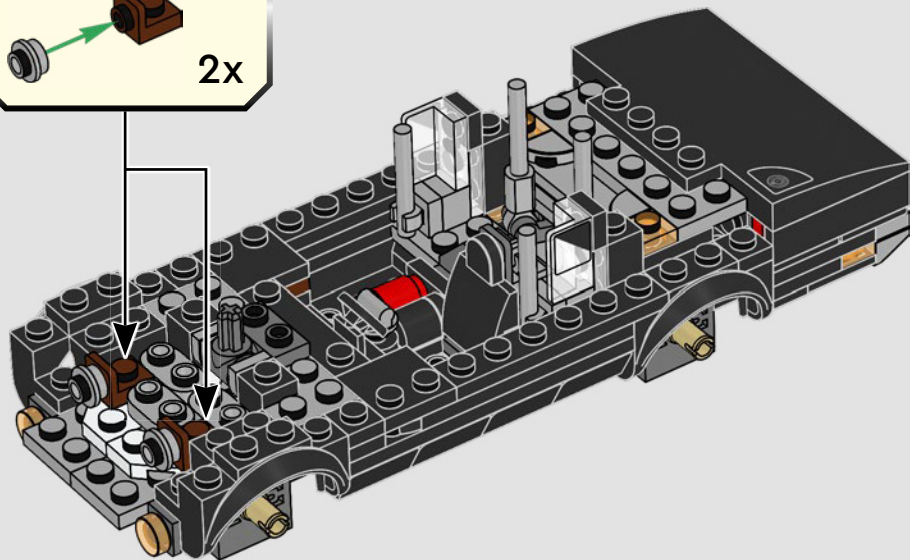
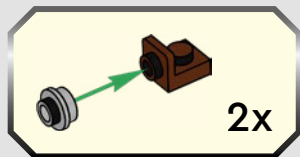


2x



2x

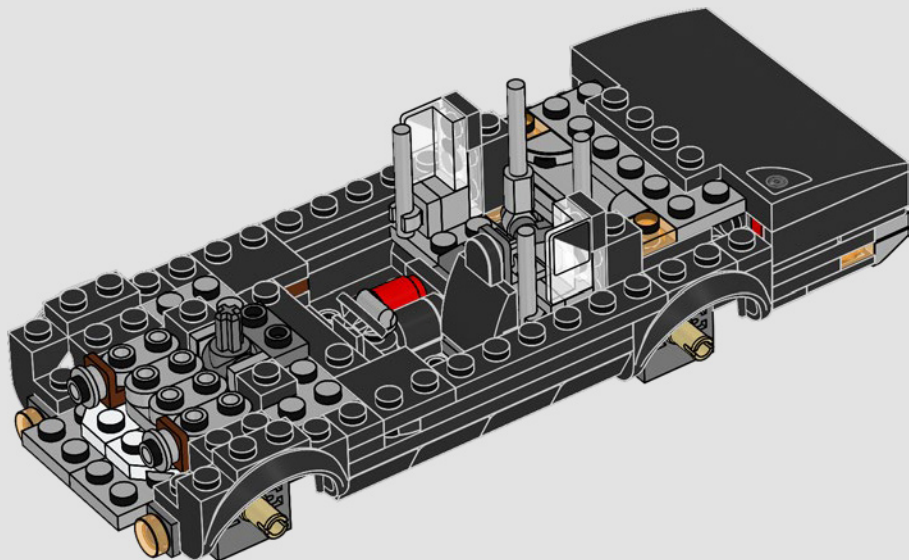
67





4x

68



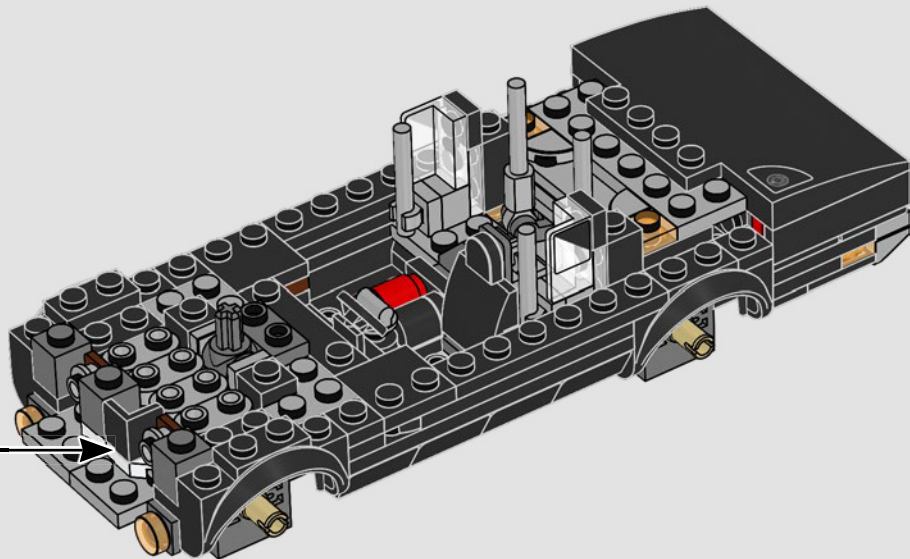


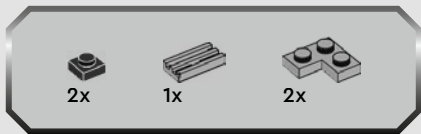
1x



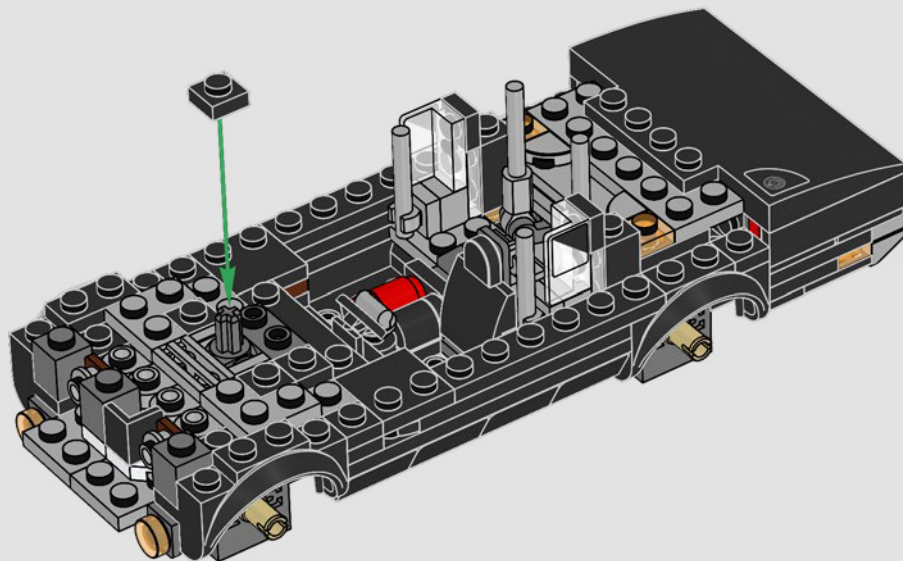
3x

69





70



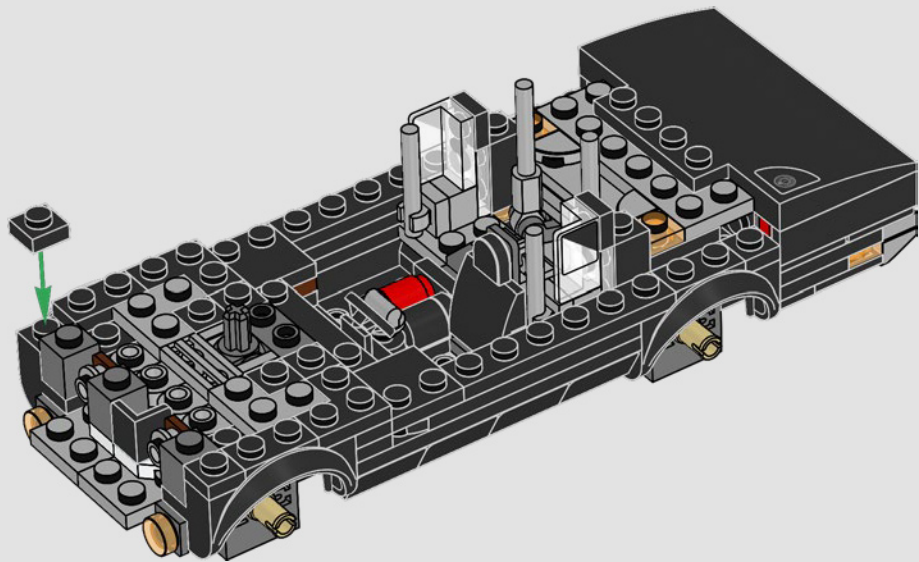


2x

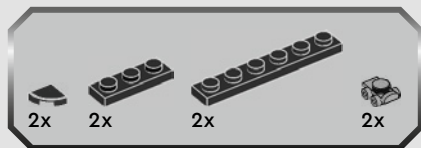


2x

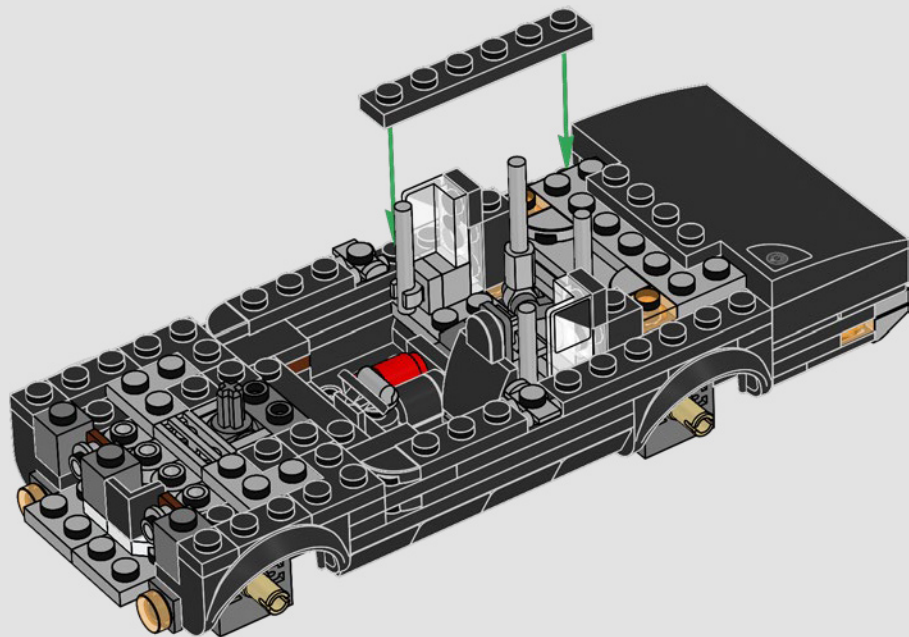
71







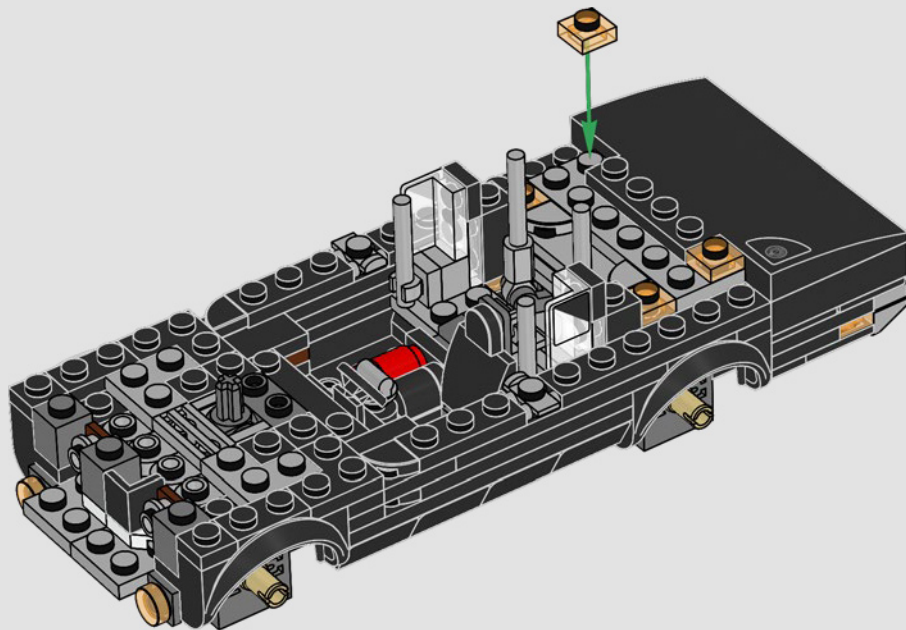
72



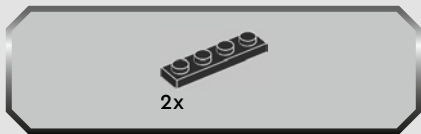


2x

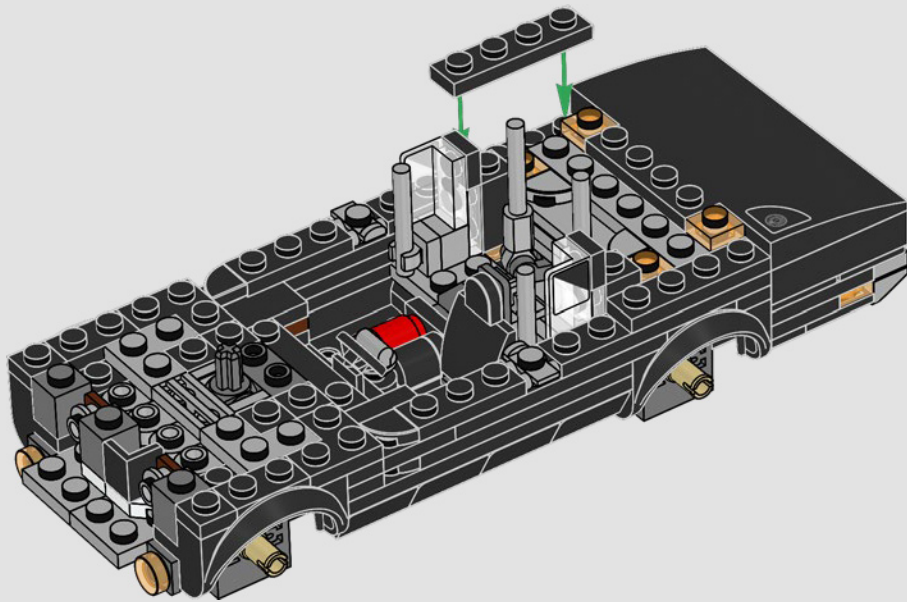
73



74

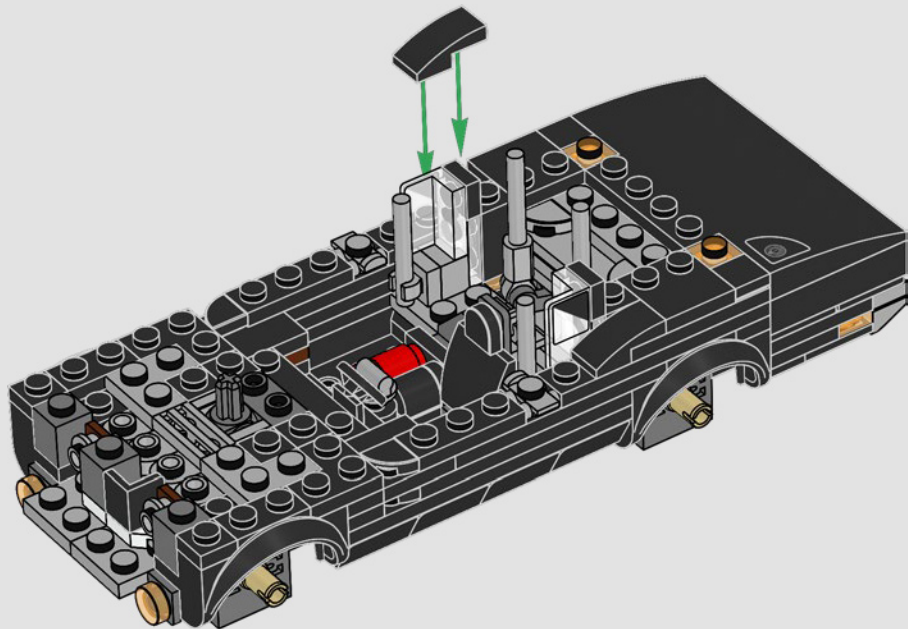


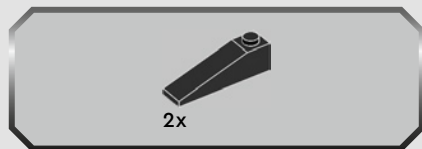
74



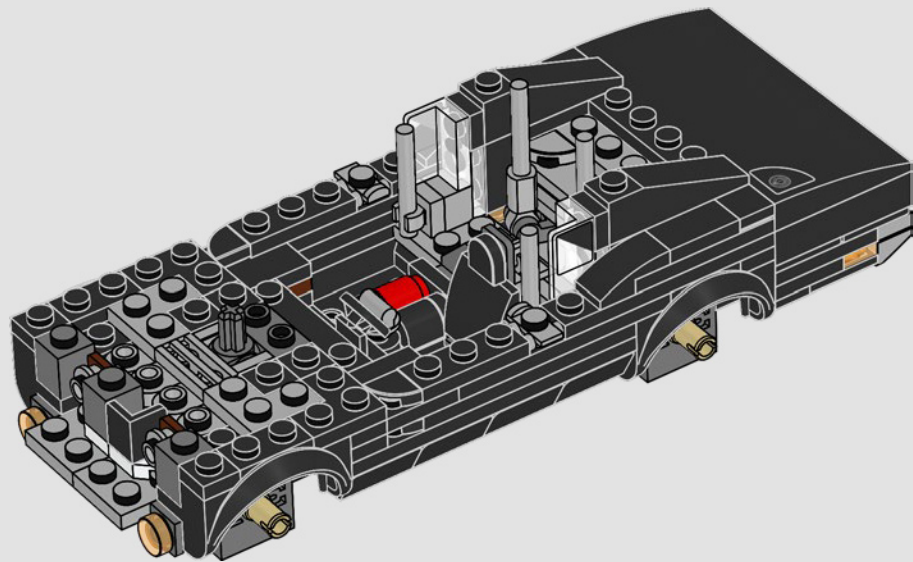


75



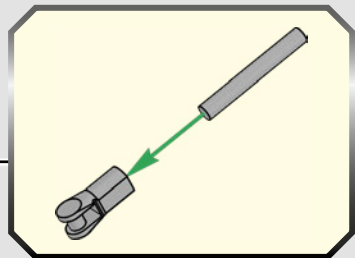
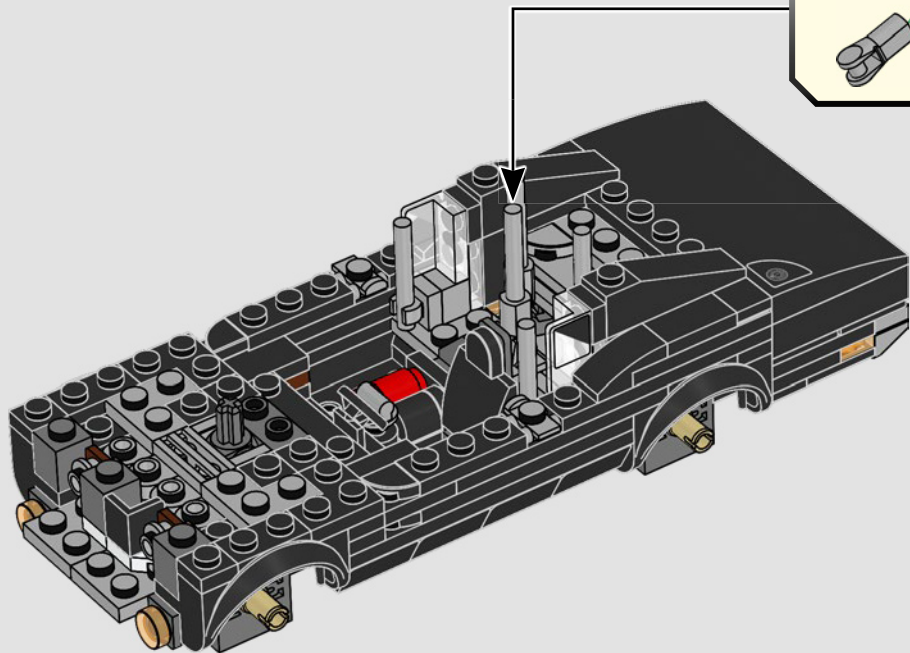


76

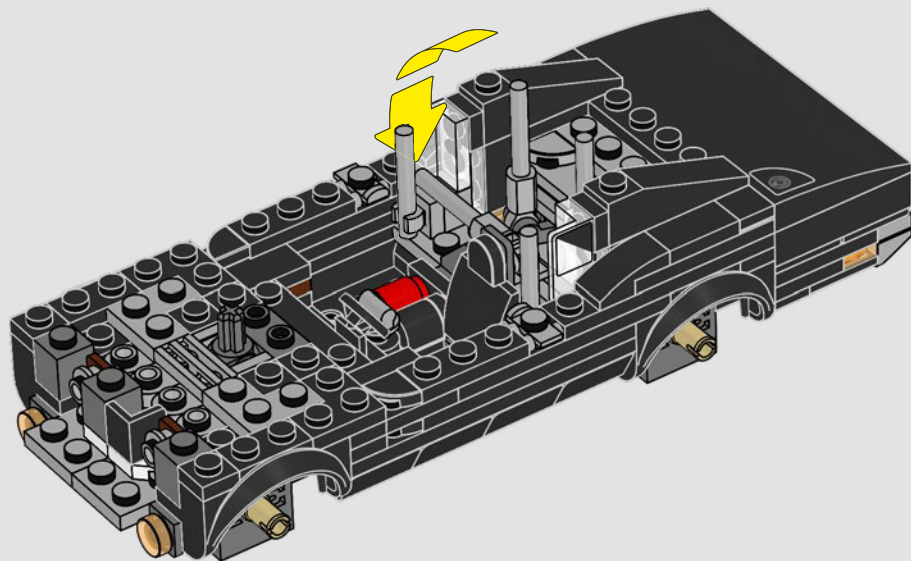




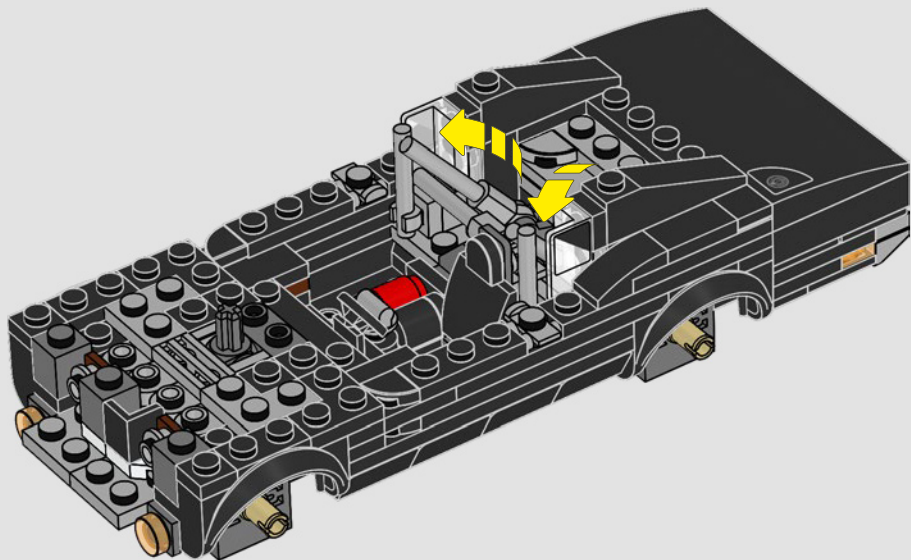
77



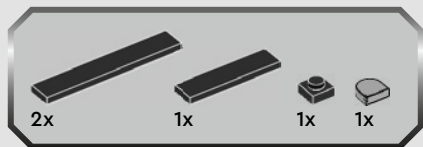
78



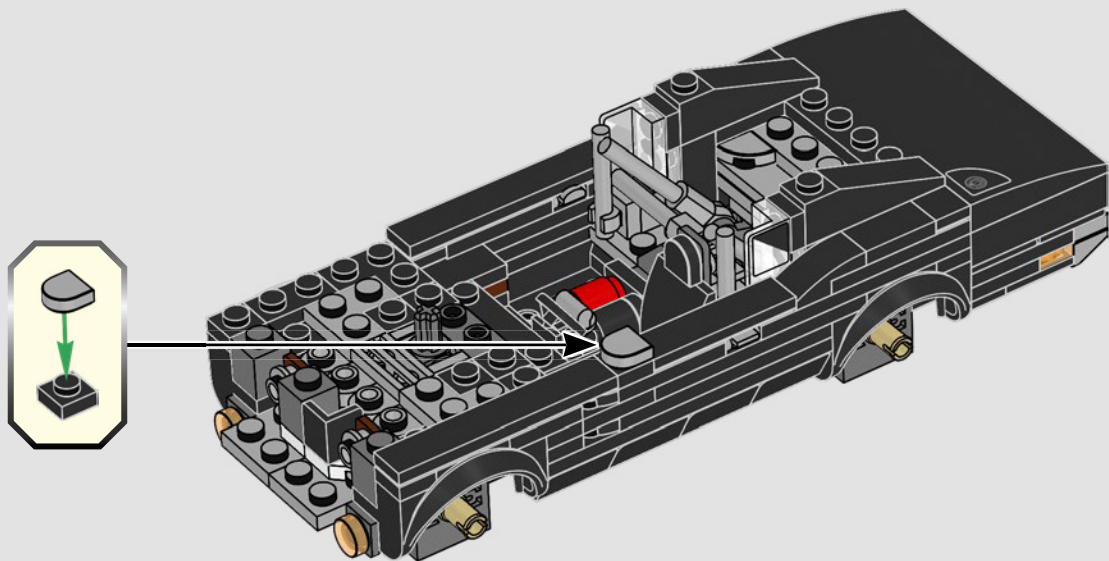
79

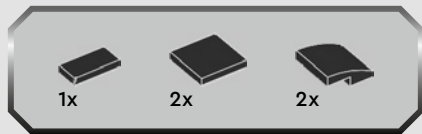




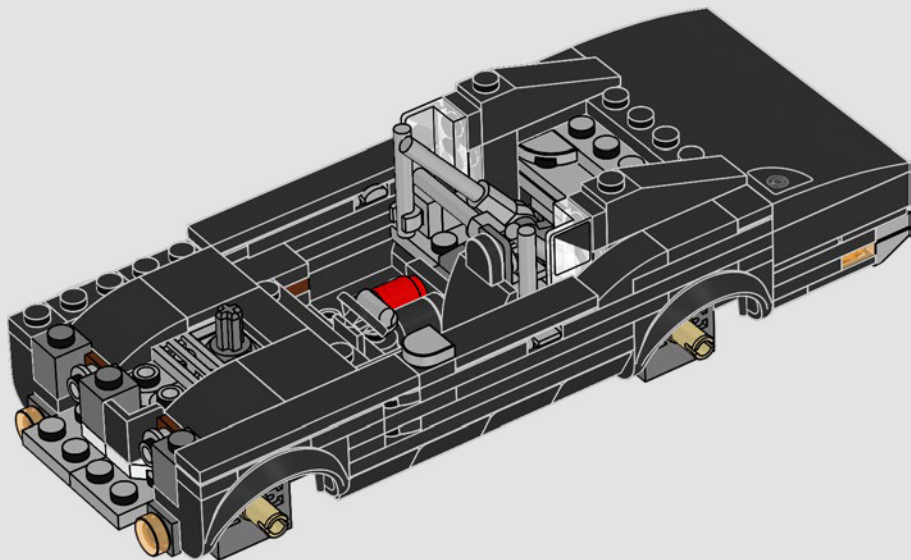


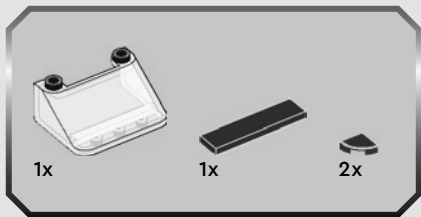
80



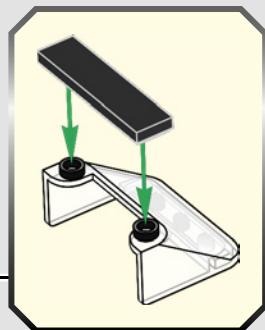
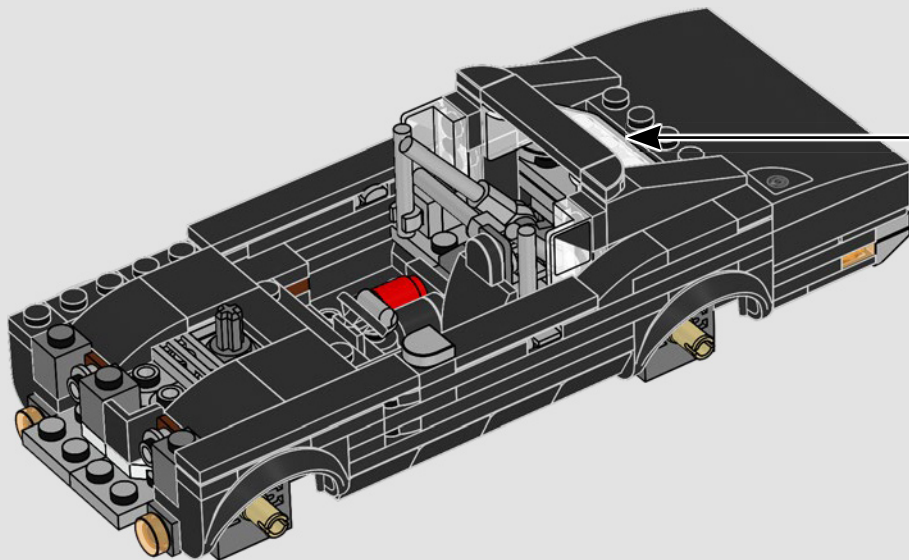


81





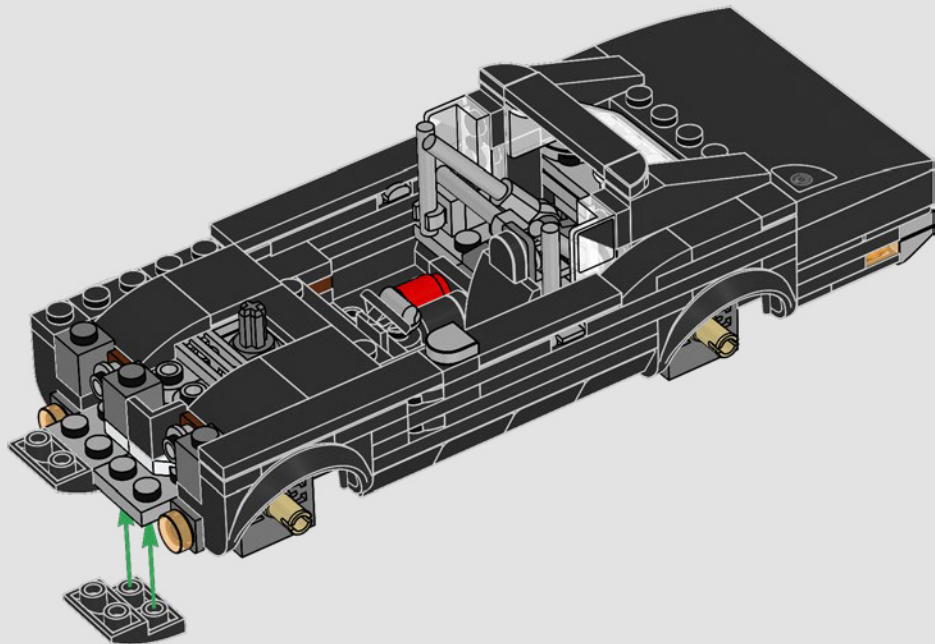
82





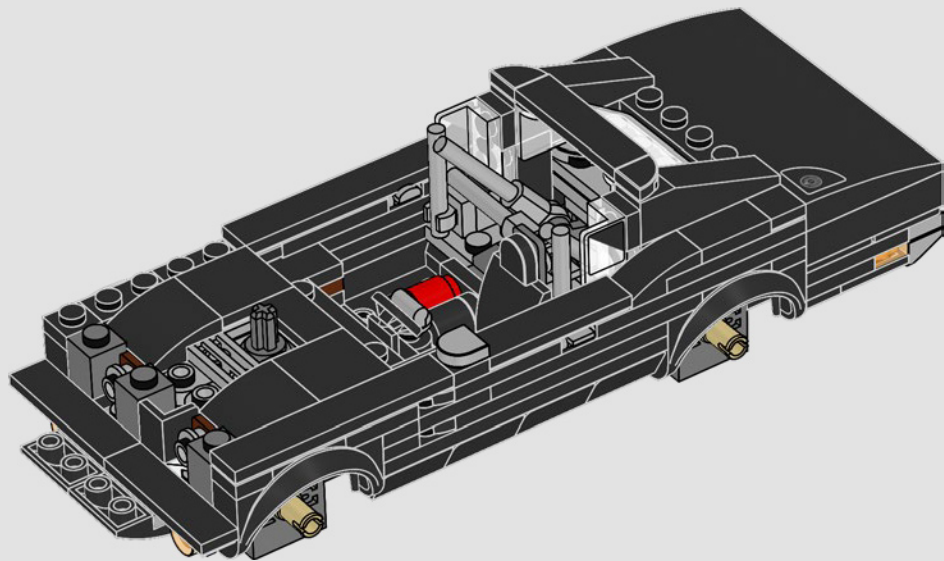
2x

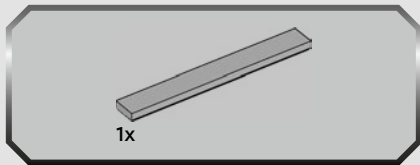
83



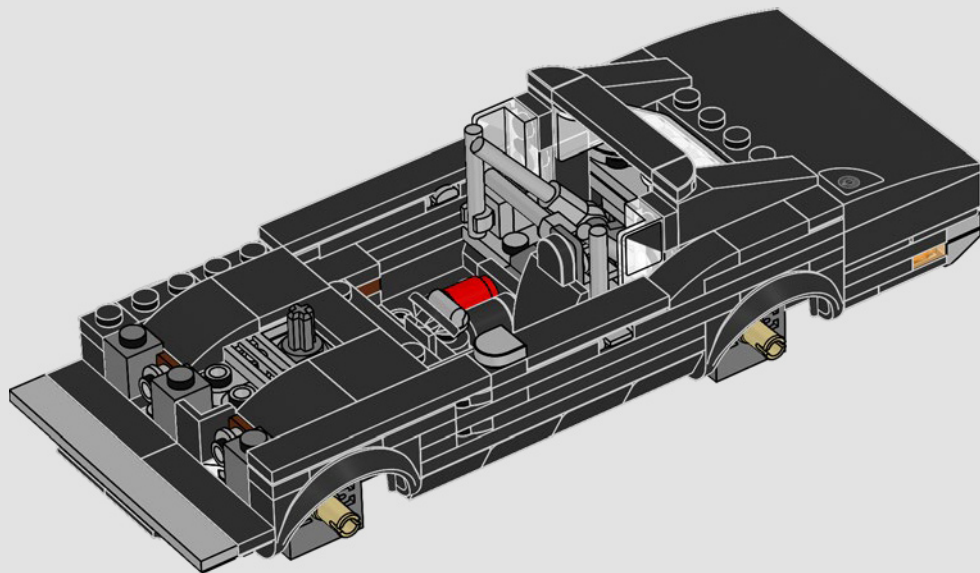


84





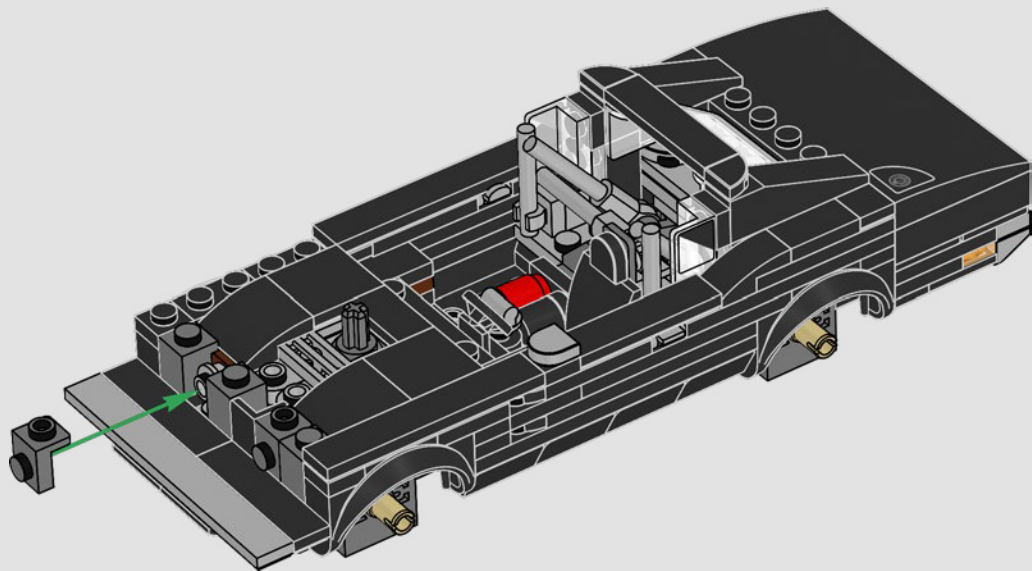
85

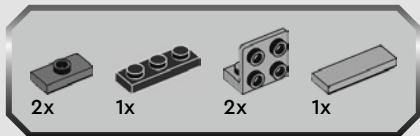




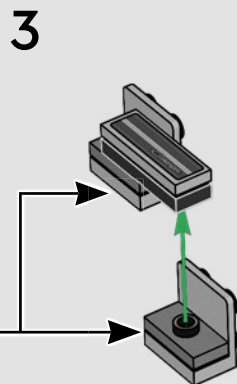
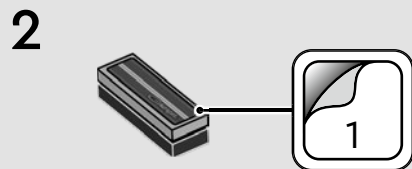
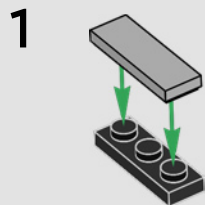
2x

86

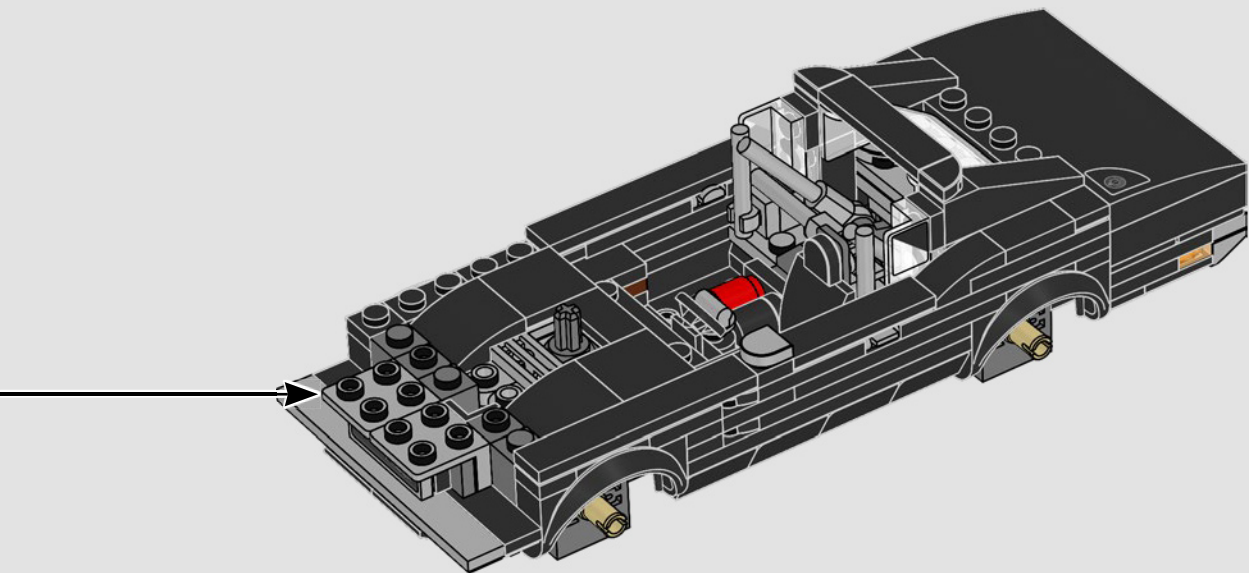




87

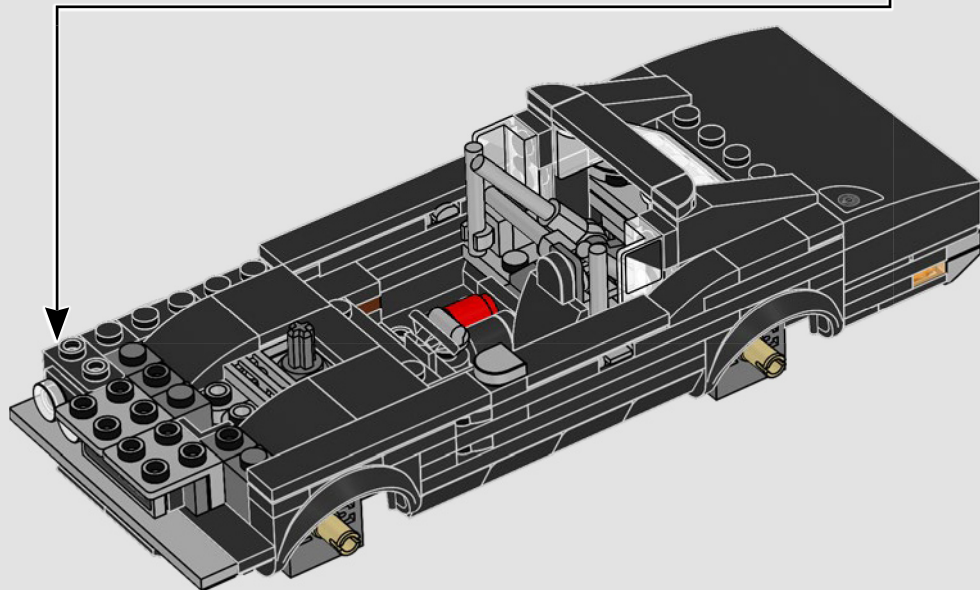
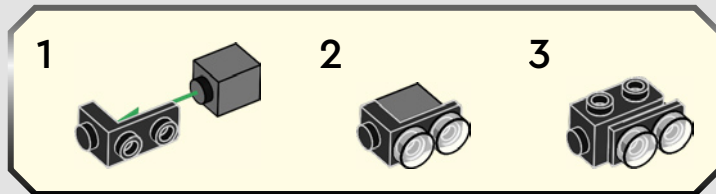


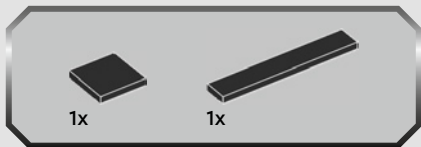




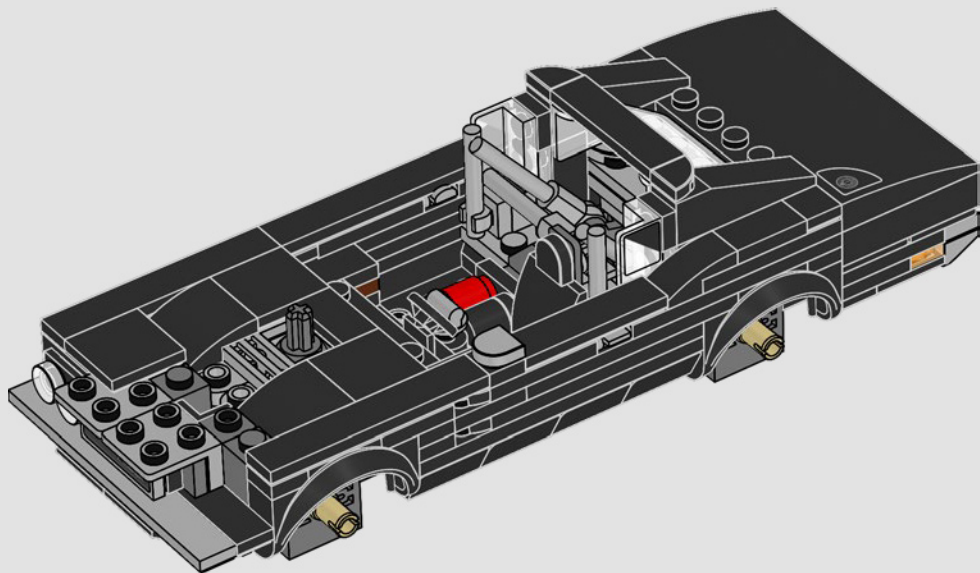


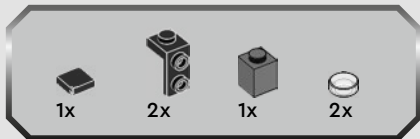
88



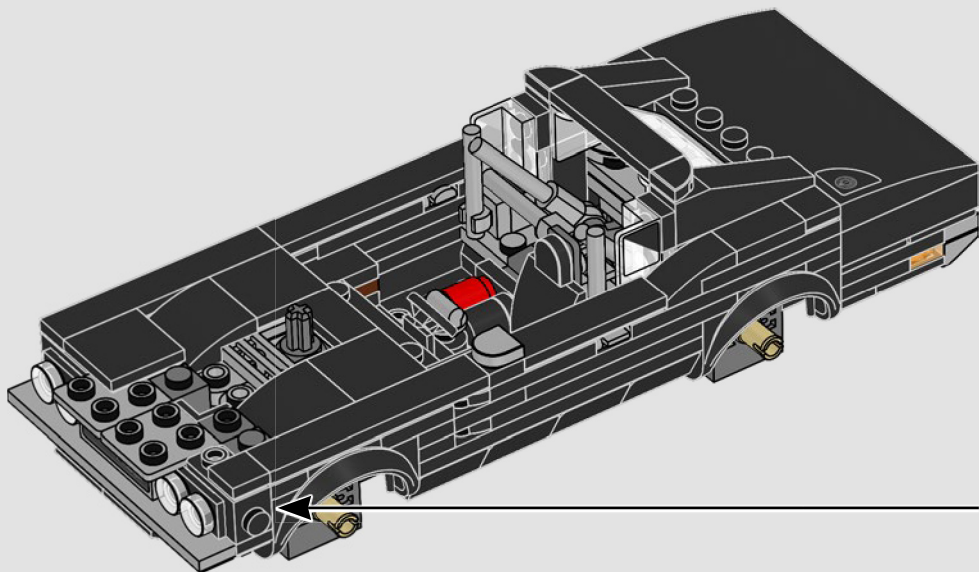
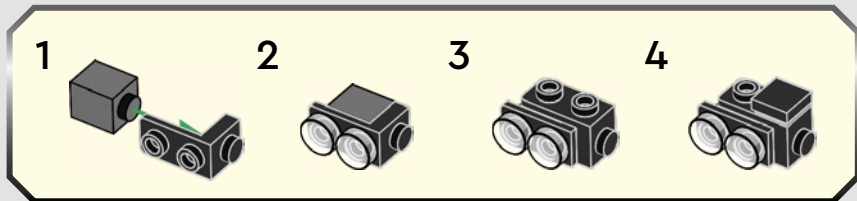


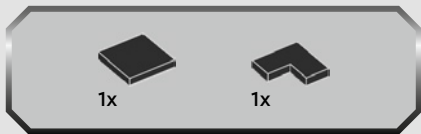
89



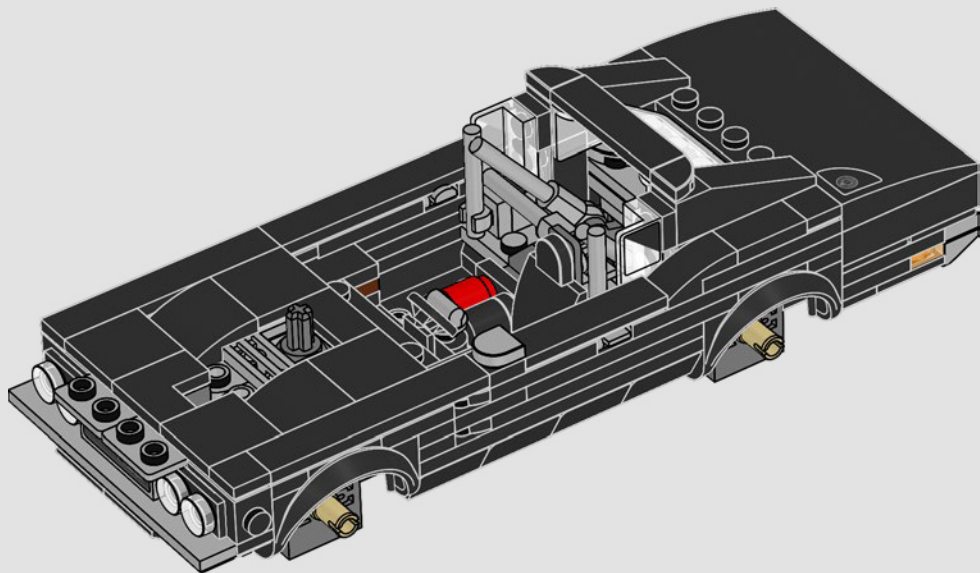


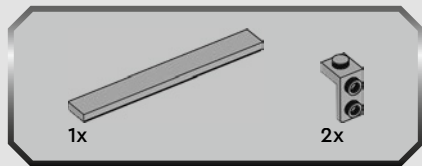
90





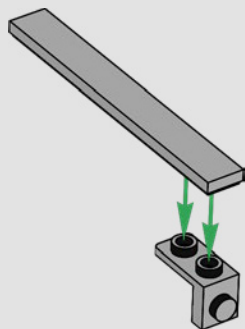
91



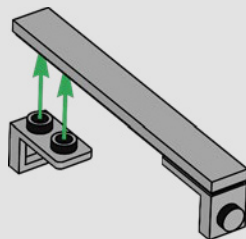


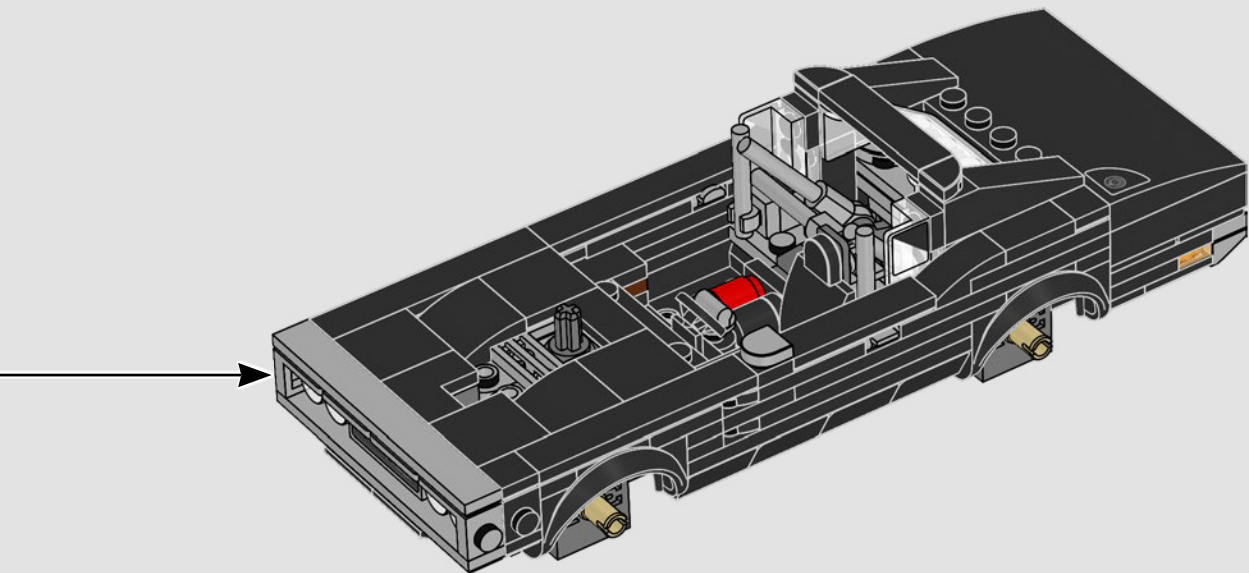
92

1



2





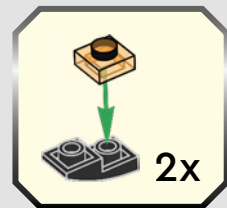
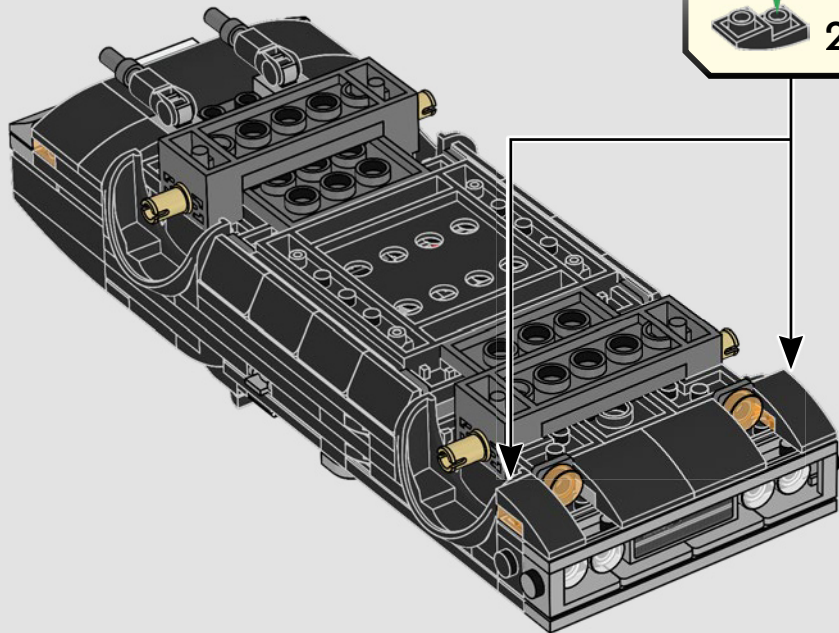
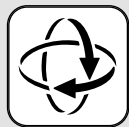


2x



2x

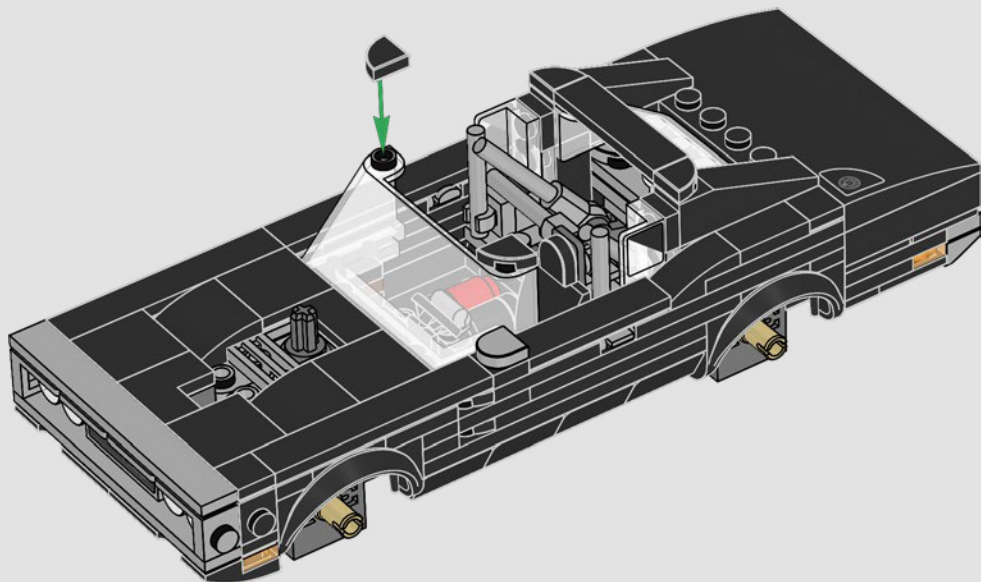
93

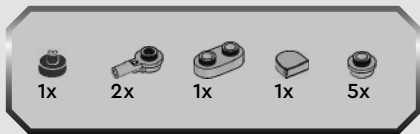






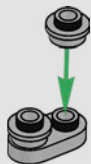
94



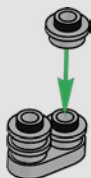


95

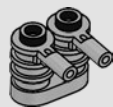
1



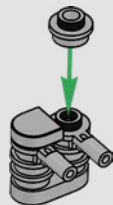
2



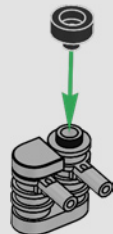
3

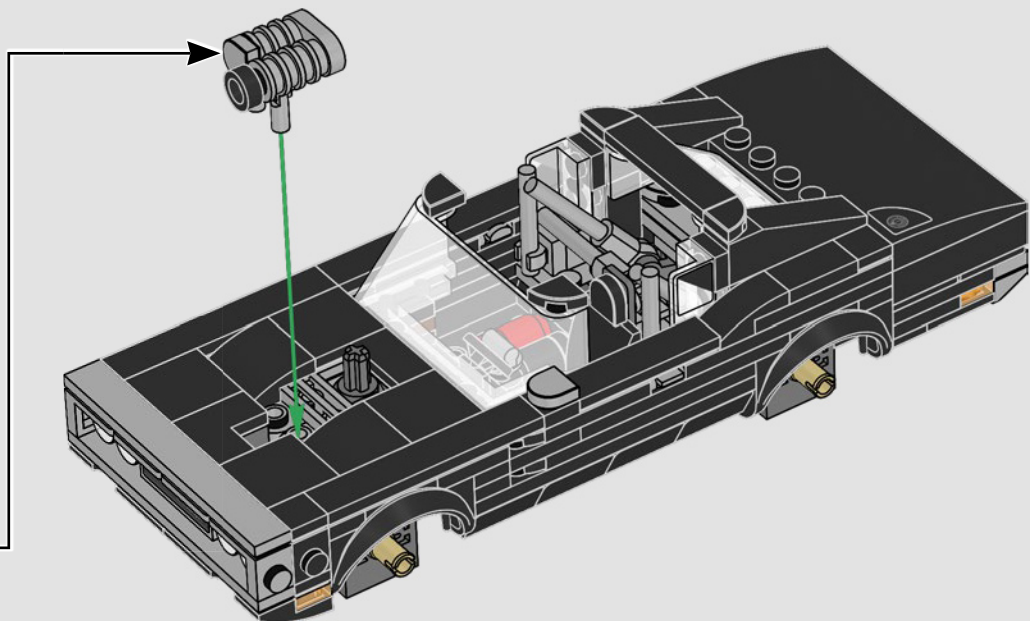


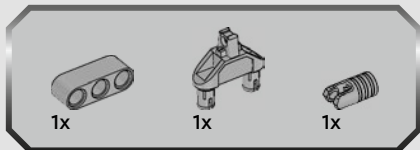
4



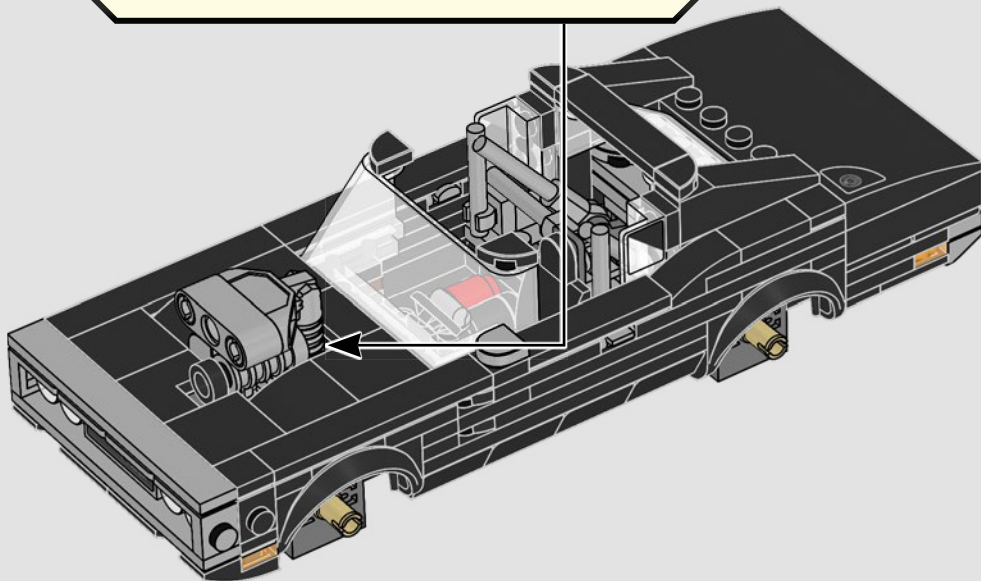
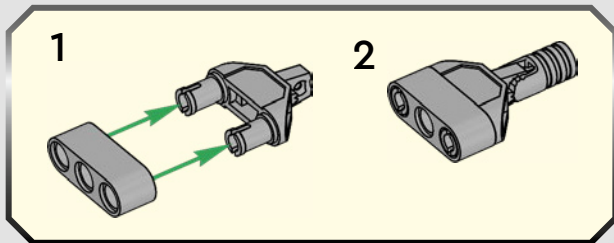
5



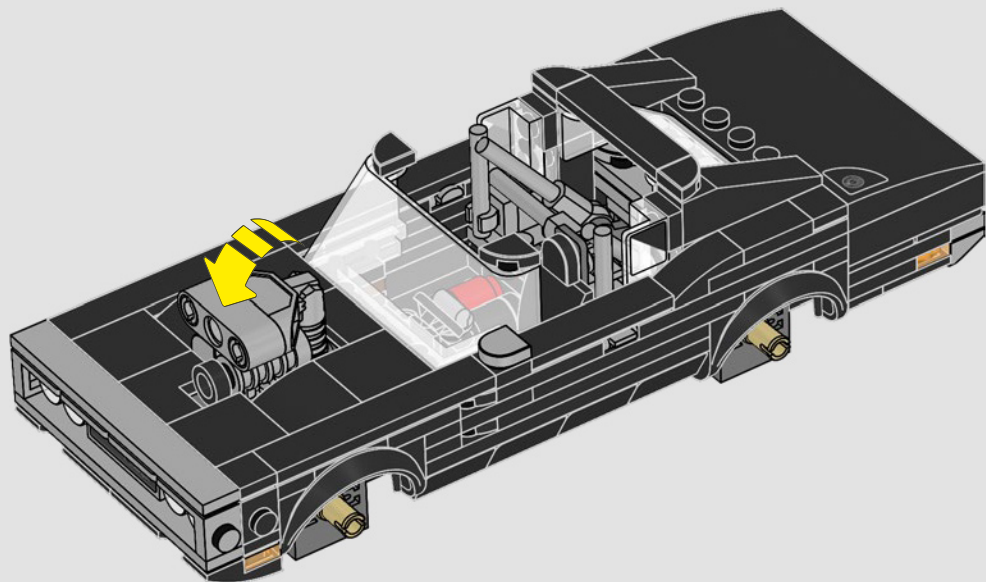


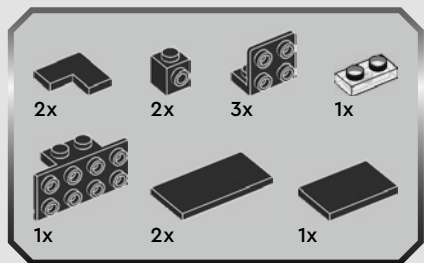


96



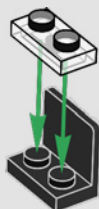
97



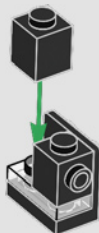


98

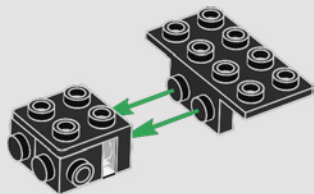
1



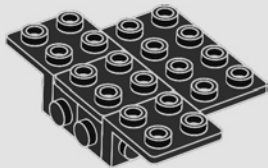
2



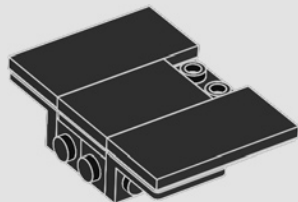
3



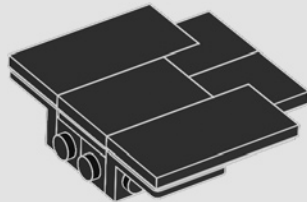
4

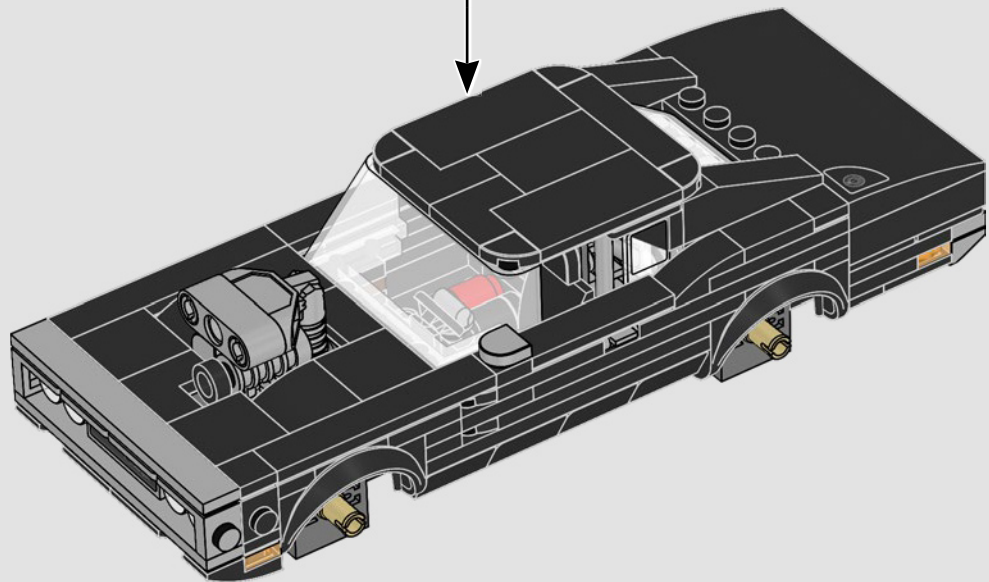


5



6

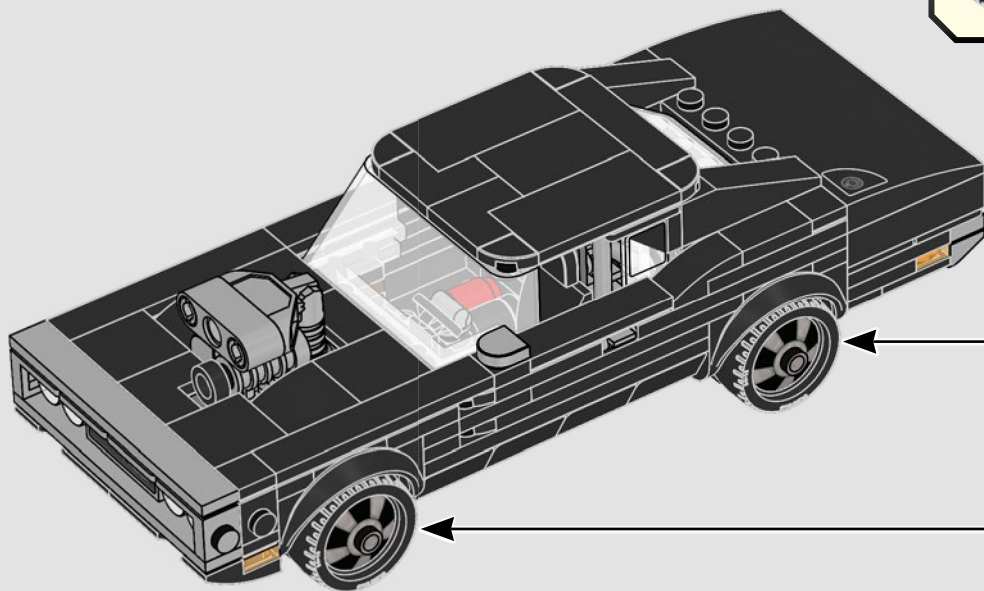
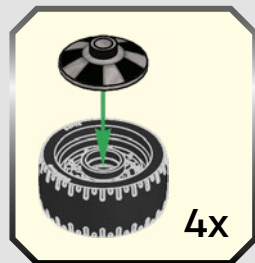


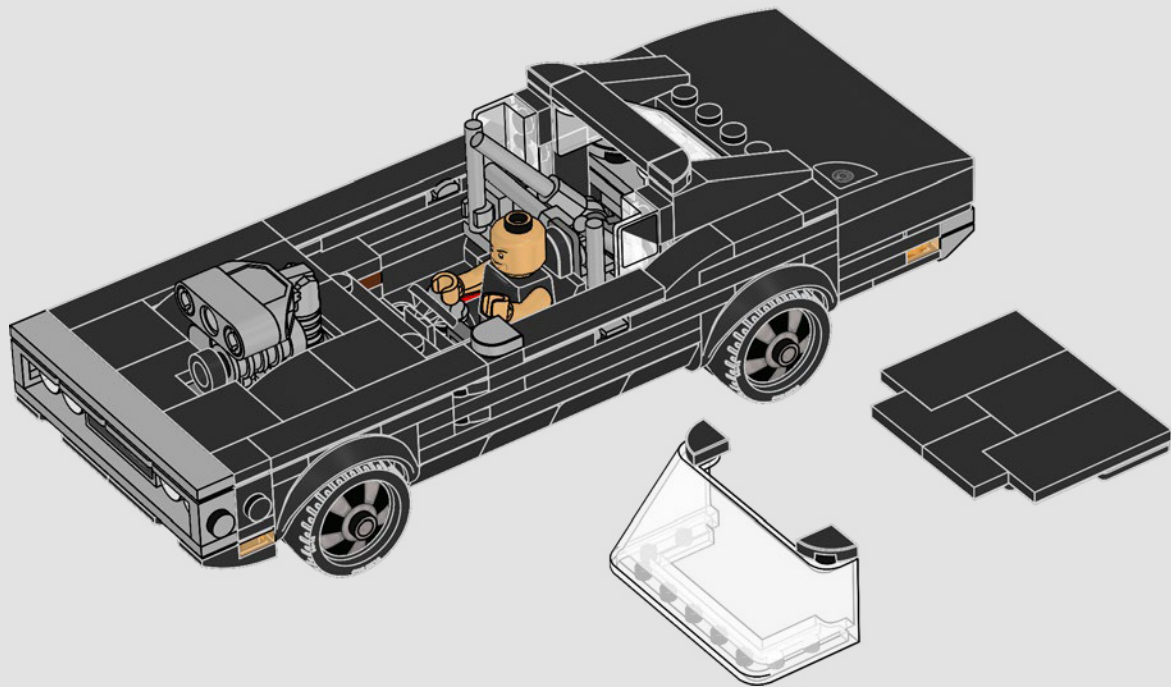


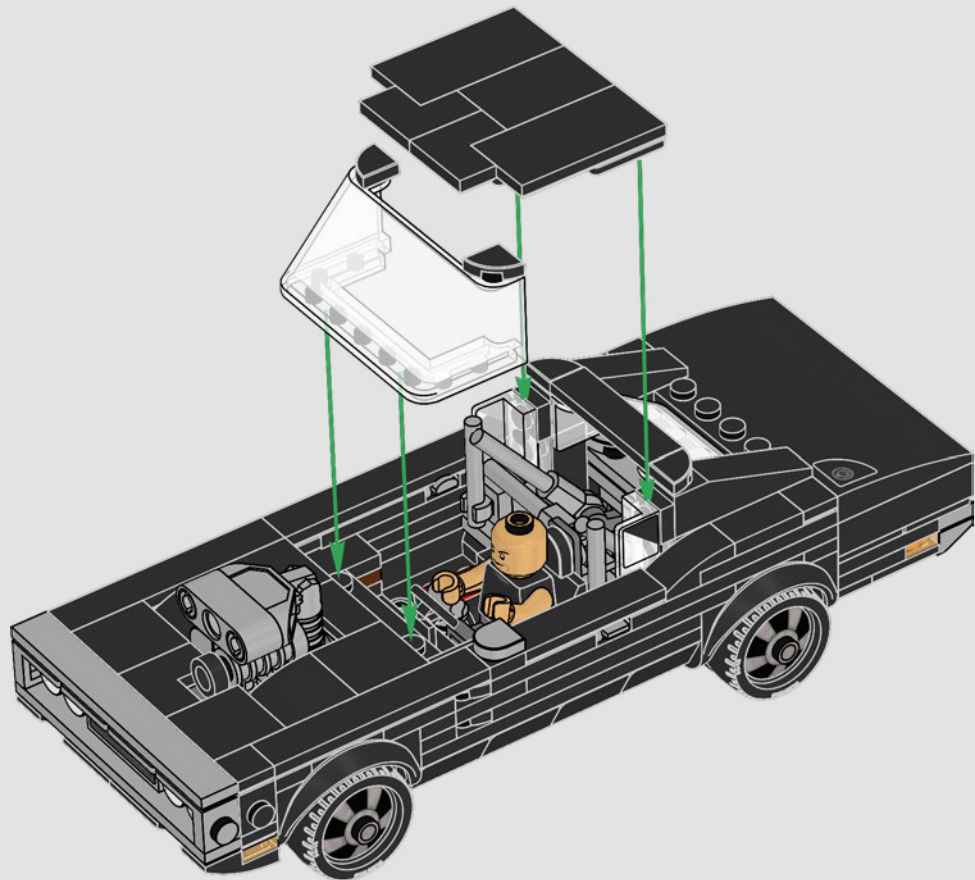


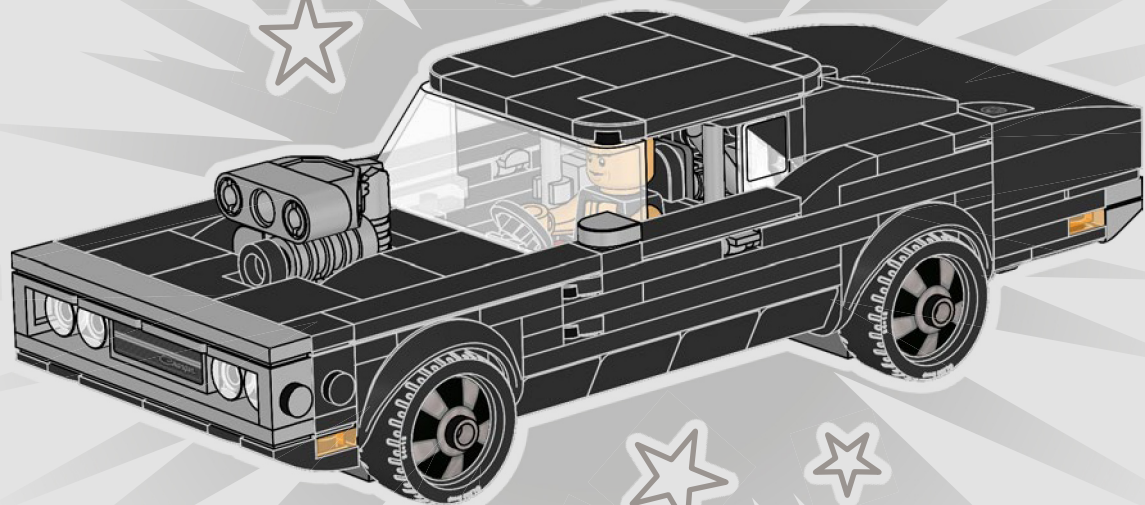


99











# SPEED CHAMPIONS



76911



76912



76910



76906



76907



76908



76909

Produced under license of Ferrari S.p.A. The name FERRARI, the PRANCING HORSE device, all associated logos and distinctive designs are property of Ferrari S.p.A. The body designs of the Ferrari cars are protected as Ferrari S.p.A. property under design, trademark and trade dress regulations.

Dodge, HEMI and related logos, vehicle model names and trade dress are trademarks of FCA US LLC and used under license by The LEGO Group. ©2022 FCA US LLC.

The "Lamborghini" and "Lamborghini Bull and Shield" trademarks, copyrights, designs and models are used under license from Automobili Lamborghini S.p.A, Italy.

and are the intellectual property of Daimler AG. They are used by LEGO System A/S under license.

Manufactured under license from Mercedes-Benz Grand Prix Ltd. All logos featured on the livery and tyres are used with the permission

of their respective owners all of whom reserve their respective rights in the same.

*Cinturato* and are trademarks of the Pirelli Group used under license.

"Aston Martin" and the Aston Martin "wings" logo are trade marks of Aston Martin Lagonda Limited. These trade marks may not be used without its permission. All rights are reserved. and related James Bond Trademarks India © 1962-2022 Danjaq, LLC and Metro-

Goldwyn-Mayer Studios, Inc. and related James Bond Trademarks are trademarks of Danjaq, LLC. All Rights Reserved.

© Universal City Studios LLC. All Rights Reserved.

Manufactured by LEGO System A/S under licence from Group Lotus Limited.



4x  
6176240



1x  
306901



2x  
362301



1x  
6431710



4x  
4666579



2x  
6321194



2x  
6186675



2x  
6256435



13x  
302426



4x  
307026



4x  
4558954



1x  
6273589



2x  
6228987



1x  
4106347



8x  
6172383



4x  
6380236



8x  
4548180



4x  
302326



2x  
6147050



1x  
306926



4x  
6047276



1x  
73081



3x  
6000650



4x  
306826



1x  
302226



4x  
6192346



2x  
6211476



5x  
6053077



12x  
242026



3x  
6133722



3x  
362326



1x  
400626



4x  
6336858



5x  
6118829



1x  
6414135



1x  
6162892



2x  
302126



2x  
6254045



2x  
371026



6x  
243126



2x  
4515362



2x  
6174917



2x  
4560182



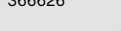
4x  
6252537



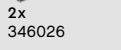
3x  
663626



7x  
366626



2x  
346026



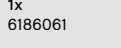
1x  
303426



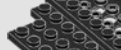
1x  
6186061



1x  
6287679



1x  
306221



1x  
6215539



2x  
300421



2x  
6372383



1x  
6135130



2x  
242021



2x  
371021



2x  
6238874



6x  
4211150



2x  
6355025



1x  
6343976

9x  
6168647  
1x  
6378136  
4x  
6250597  
2x  
6217791  
2x  
4521921  
2x  
6401023  
5x  
6308012  
2x  
6176433  
2x  
6362975  
16x  
6248890  
2x  
6227897

2x  
4568637  
1x  
6271539  
2x  
4211414  
2x  
6043656  
1x  
4211350  
2x  
4654580  
1x  
6004990  
1x  
6413107  
5x  
6093527

3x  
6212077  
4x  
4211353  
1x  
4211655  
1x  
6211969  
1x  
4558169  
2x  
6414137  
1x  
6257593  
4x  
4211452

2x  
4211481  
4x  
6274738  
3x  
6240204  
2x  
6246888  
1x  
6413108  
1x  
6255922  
1x  
6343854

2x  
6414141  
2x  
6414139  
2x  
6274747  
14x  
6252040  
4x  
6414133  
1x  
6414149  
2x  
6350724  
12x  
6413106  
3x  
6336390  
6x  
4211098

2x  
6388119  
1x  
6005331  
5x  
6092572  
1x  
6168776  
1x  
6178919  
2x  
6039479

1x  
4222693  
1x  
4211065  
2x  
4243831  
2x  
6287680

Customer Service  
Kundenservice  
Service Client  
Assistenza clienti  
Atención al cliente  
Serviço de Apoio ao Consumidor  
Ügyfélszolgálat  
Klientu apkalpošanas dienests  
Serviciul pentru client  
客户服务  
コンシューマーサービス  
고객 서비스  
**LEGO.com/service**

# WIN

Terms & Conditions apply

Scan this QR code or go to **LEGO.COM/PRODUCTFEEDBACK** and give us your short feedback about this LEGO® set for a chance to win a cool LEGO prize.



## GEWINNE

Scanne diesen QR-Code oder geh auf [LEGO.COM/PRODUCTFEEDBACK](https://LEGO.COM/PRODUCTFEEDBACK)

und gib uns dein kurzes Feedback zu diesem LEGO® Set. Dann hast du die Chance, einen coolen LEGO Preis zu gewinnen.

Es gelten die Teilnahmebedingungen

## GAGNE

Scannez ce code QR ou rendez-vous sur [LEGO.COM/PRODUCTFEEDBACK](https://LEGO.COM/PRODUCTFEEDBACK)

pour donner votre avis sur ce produit LEGO® et avoir une chance de gagner un prix LEGO.

Voir Conditions Générales

## GANAN

Escanea este código QR o visita [LEGO.COM/PRODUCTFEEDBACK](https://LEGO.COM/PRODUCTFEEDBACK)

y comparte con nosotros tu opinión sobre este set LEGO® para tener la oportunidad de ganar un fantástico premio LEGO.

Términos y Condiciones aplicables

## 获取奖品

只需扫描此二维码或访问 [LEGO.COM/PRODUCTFEEDBACK](https://LEGO.COM/PRODUCTFEEDBACK),

就这款乐高®套装提供简短反馈,就有机会赢得很酷的乐高奖品。

《条款及条件》适用

LEGO and the LEGO logo are trademarks of the LEGO Group. ©2022 The LEGO Group.

Dodge, HEMI and related logos, vehicle model names and trade dress are trademarks of FCA US LLC and used under license by the LEGO Group.

©2022 FCA US LLC.

© Universal City Studios LLC. All Rights Reserved.

6432389