

BIONICLE™

www.bionicle.com



8595

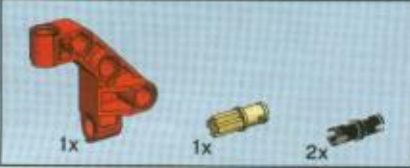
TAKUA & PEWKU



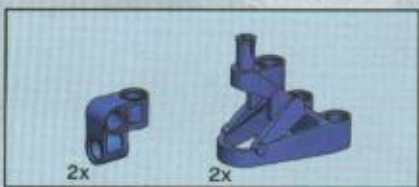
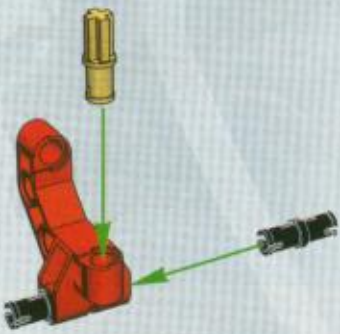




3



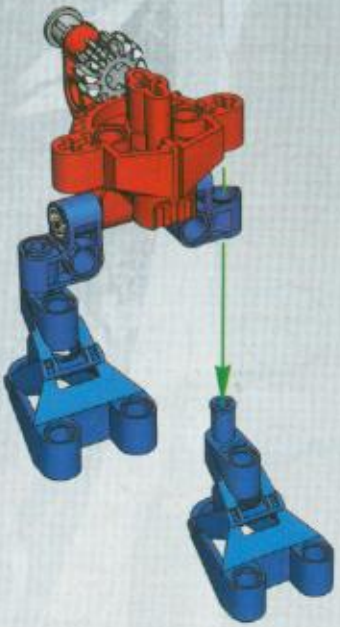
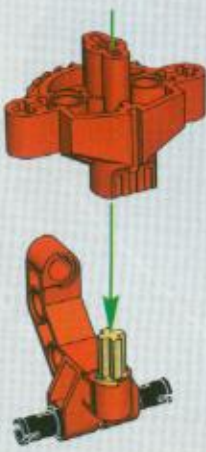
1



4

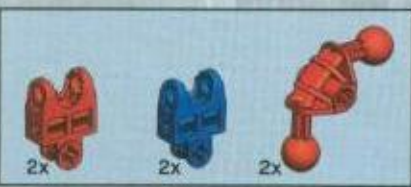
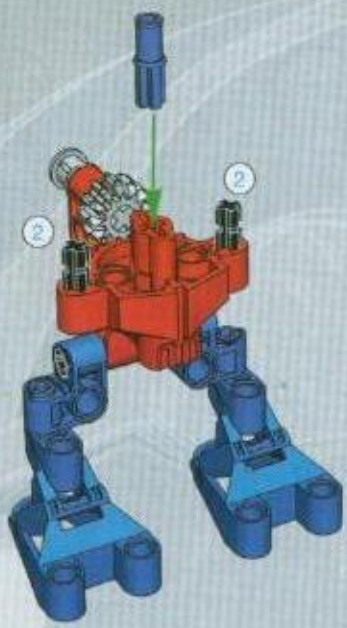


2

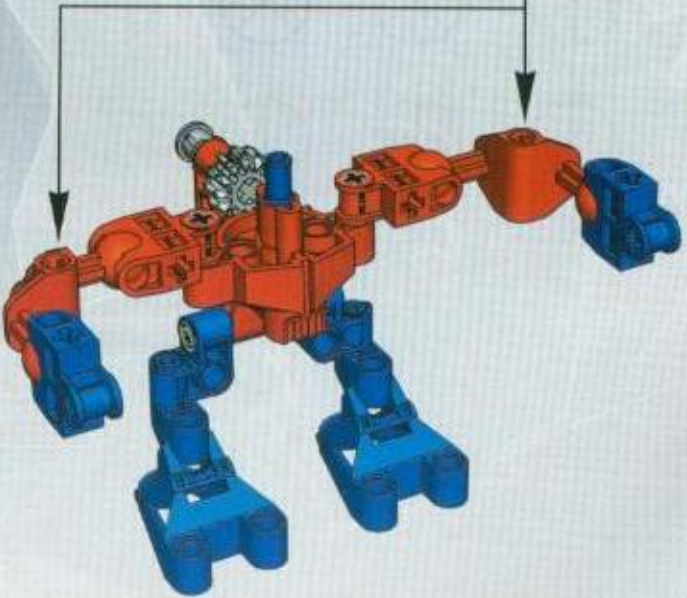
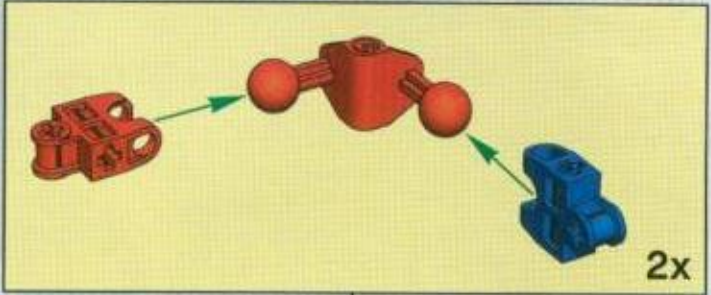




5

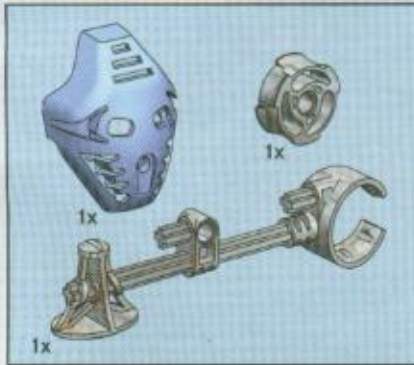
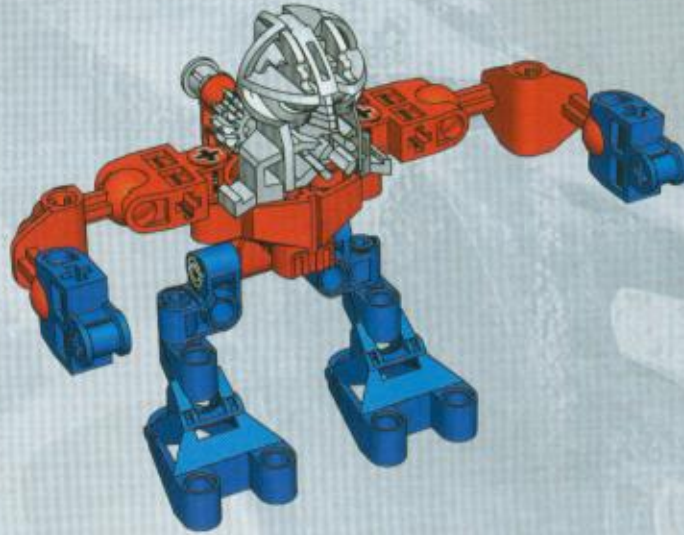


6

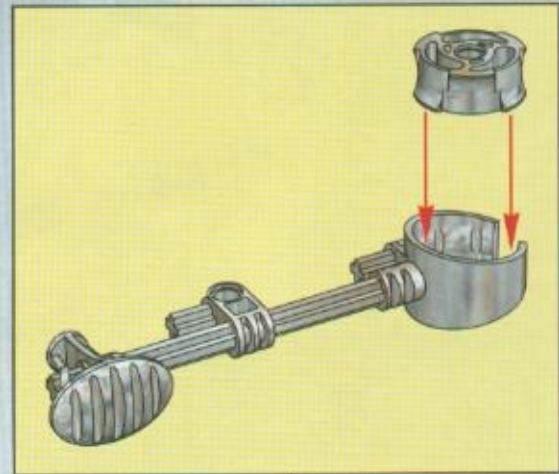




7

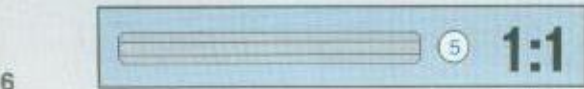
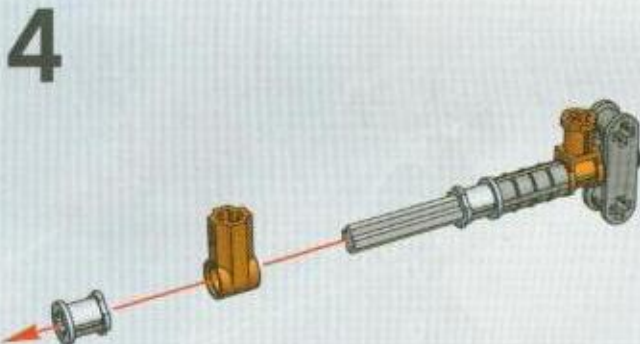
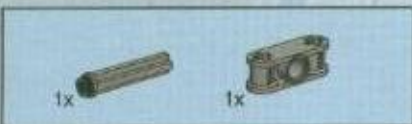
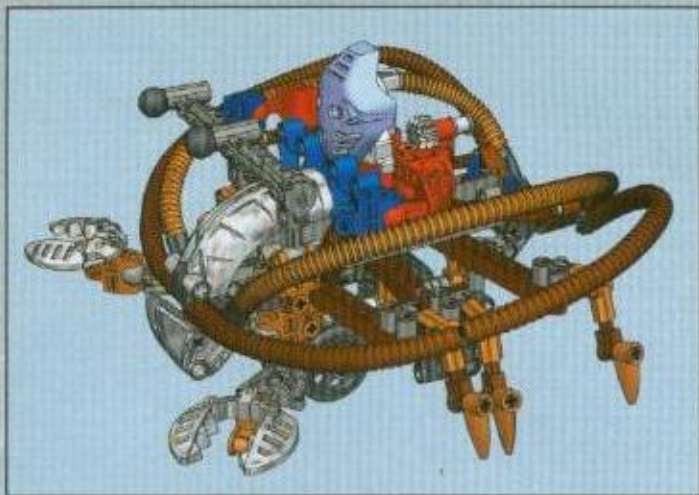


8



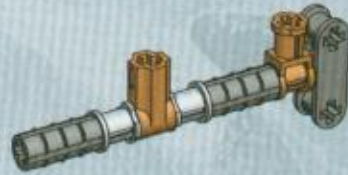


8505

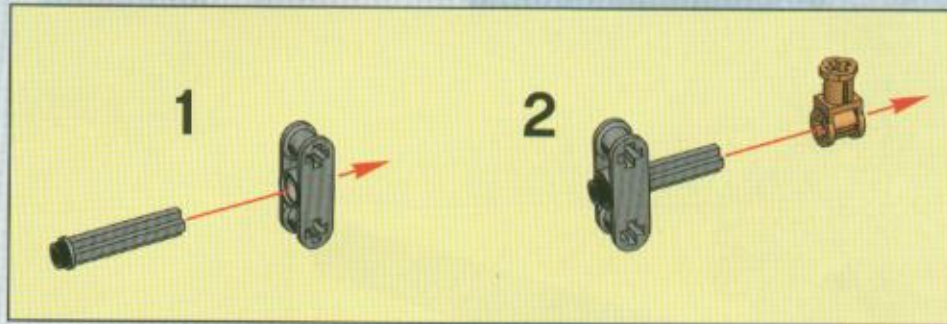




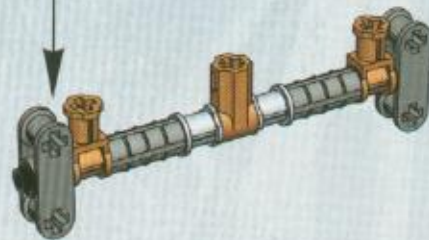
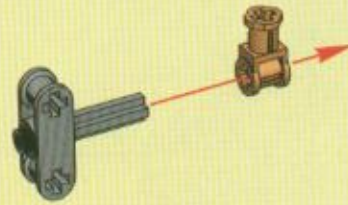
5



6



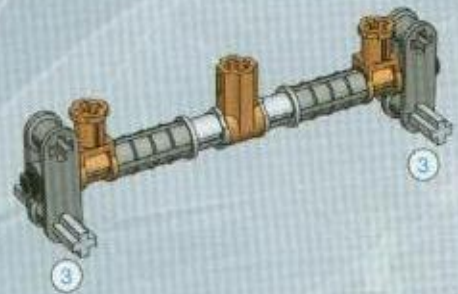
2





2x

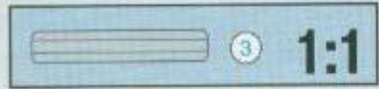
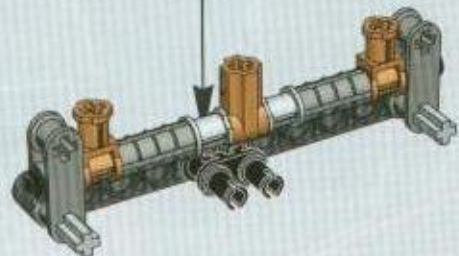
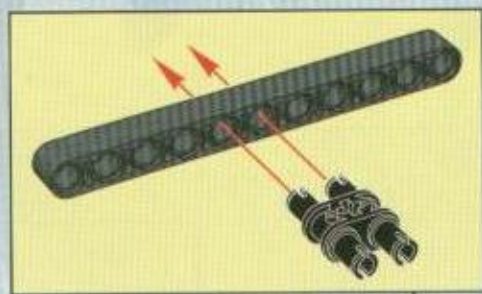
7



1x

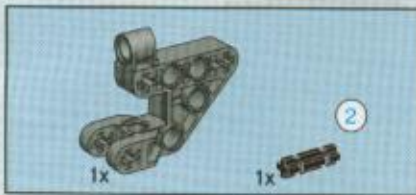
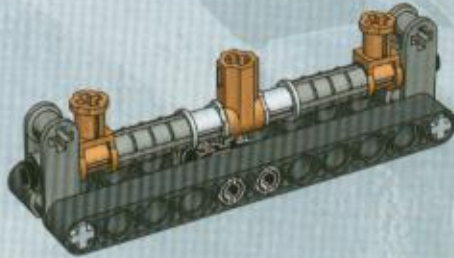
1x

8

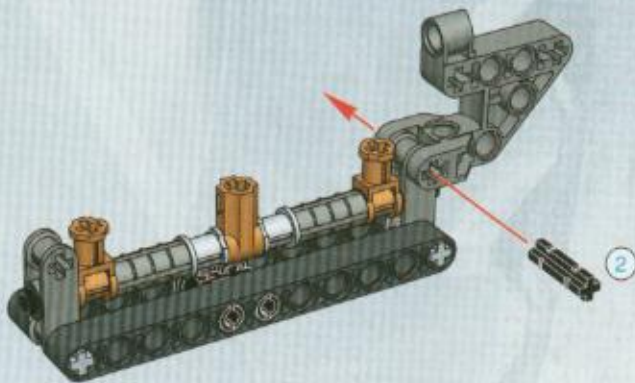


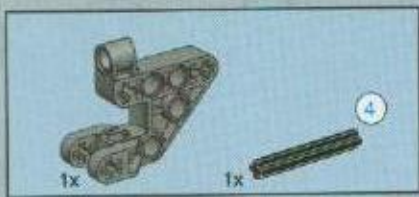


9

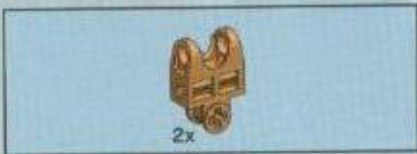
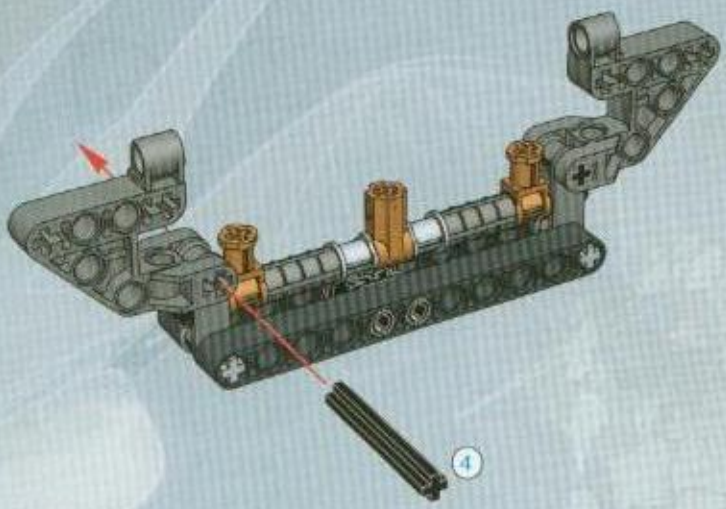


10

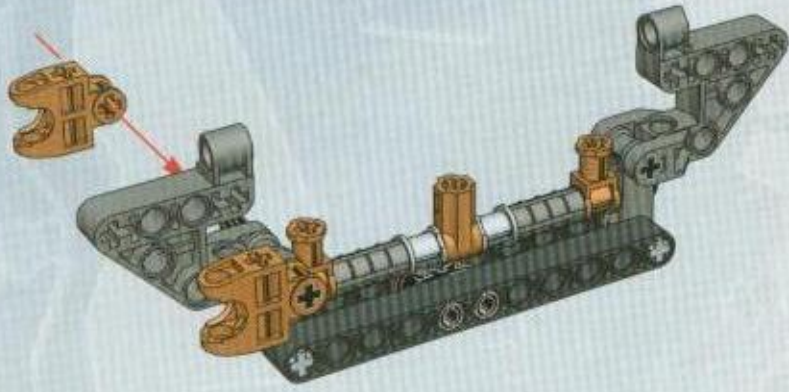


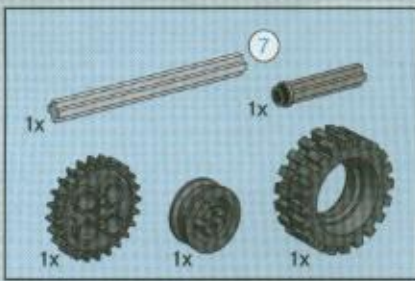


11

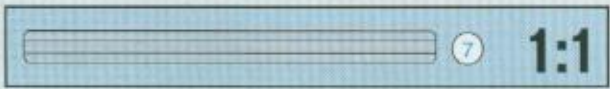
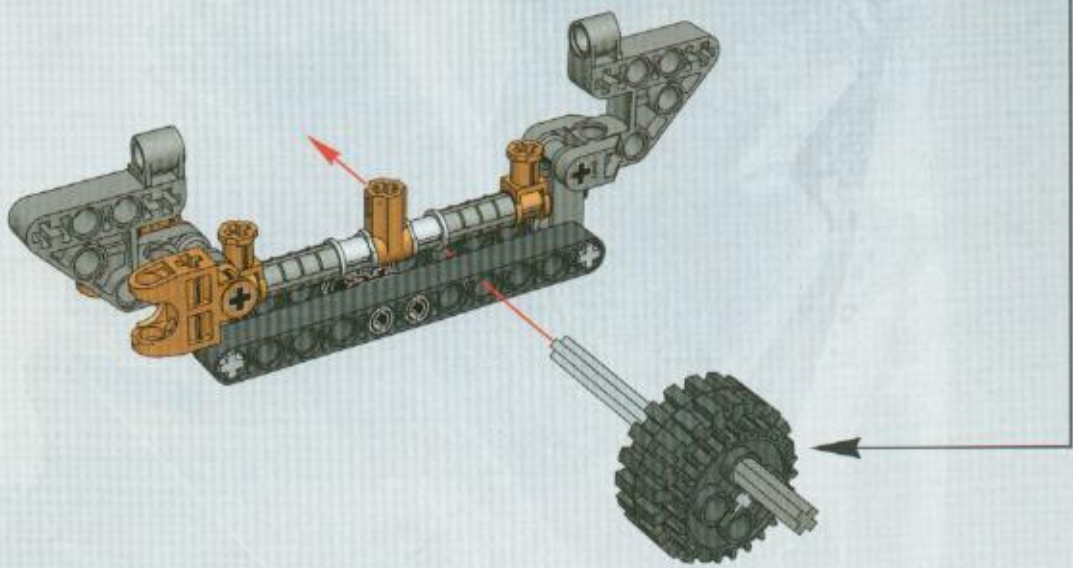
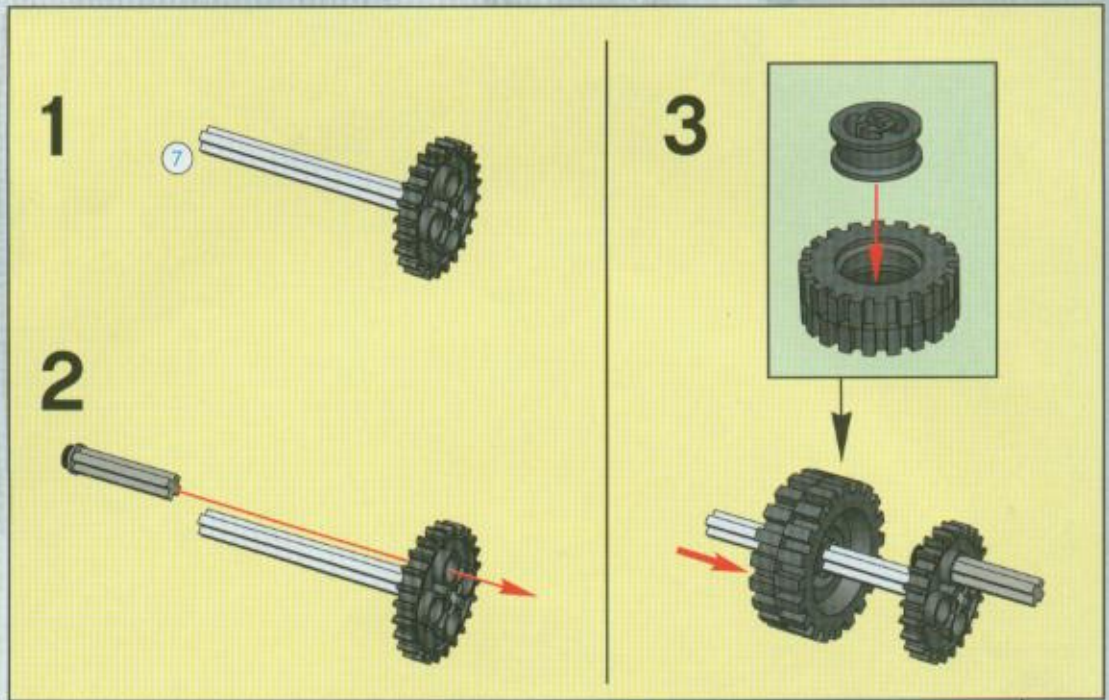


12



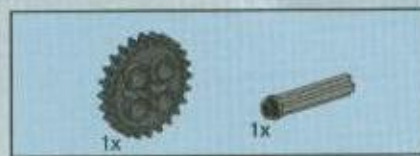
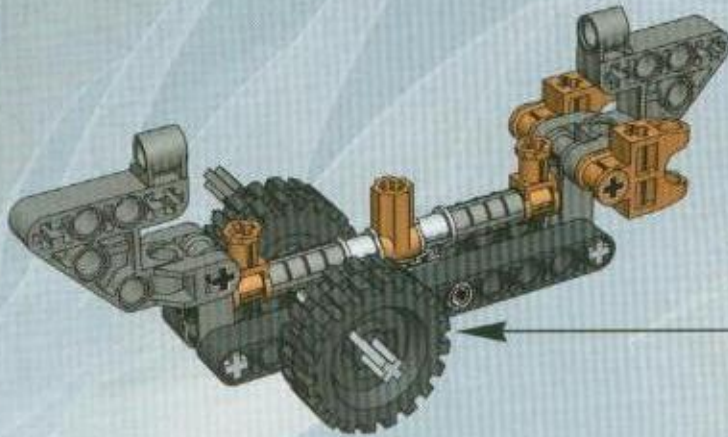


13

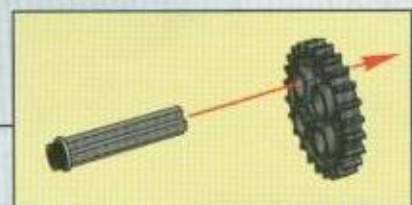
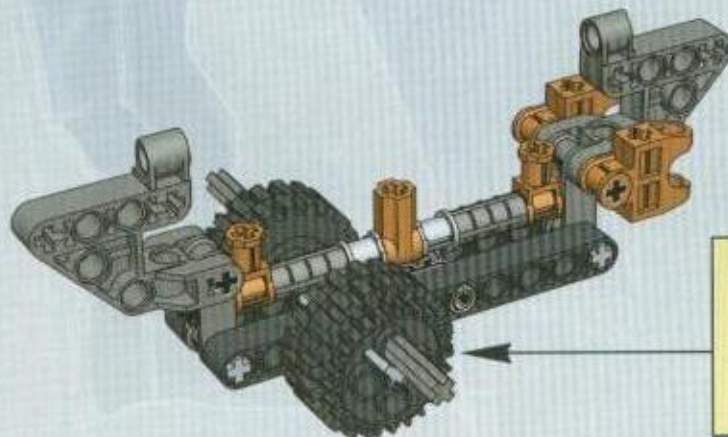




14

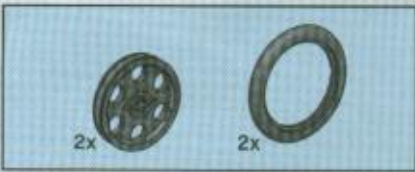
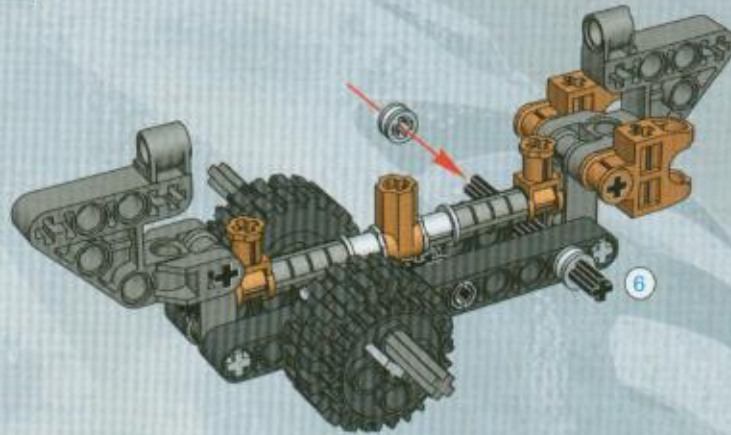


15

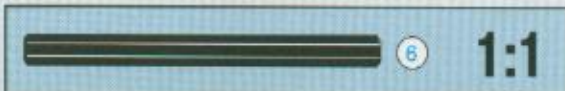
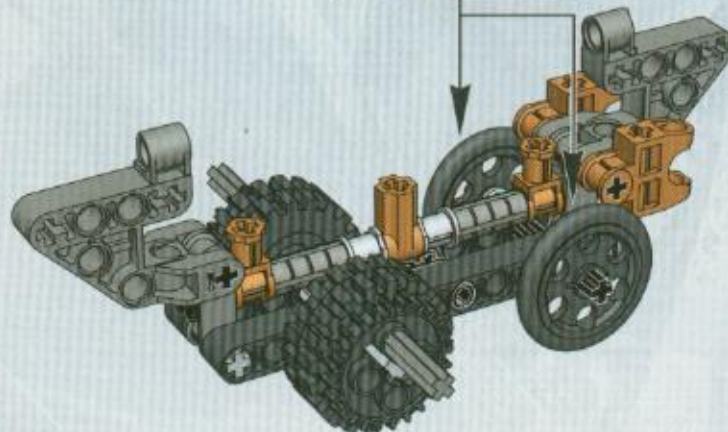




16

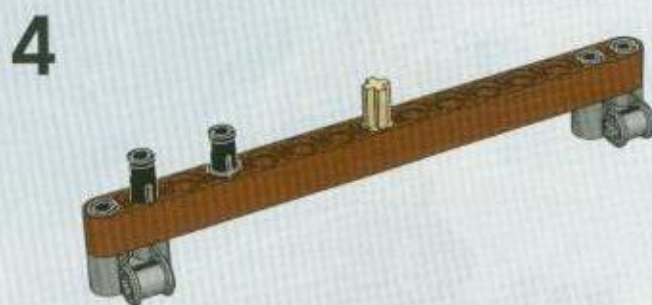
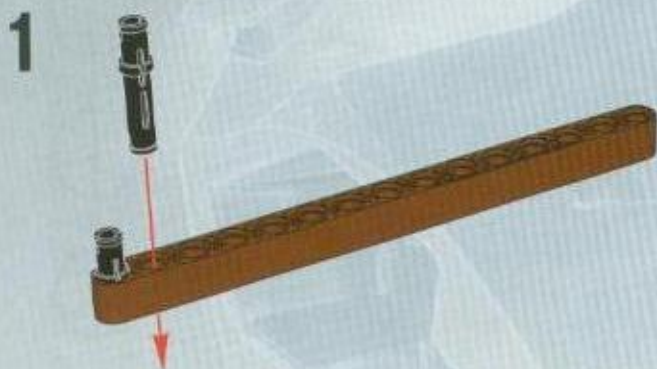


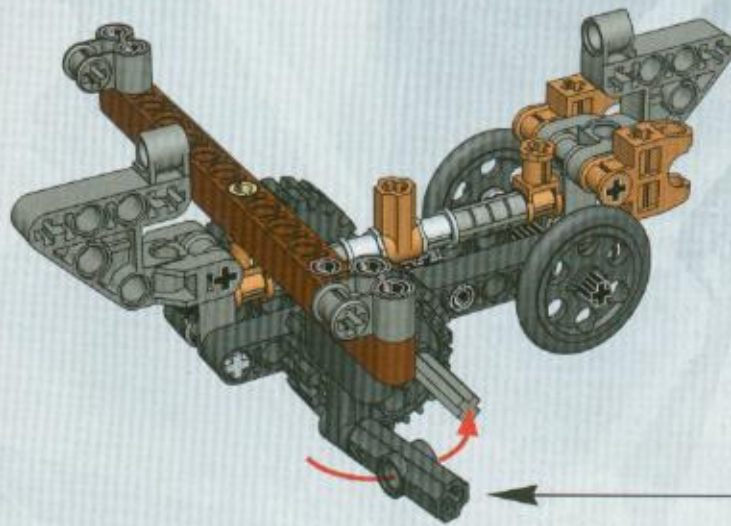
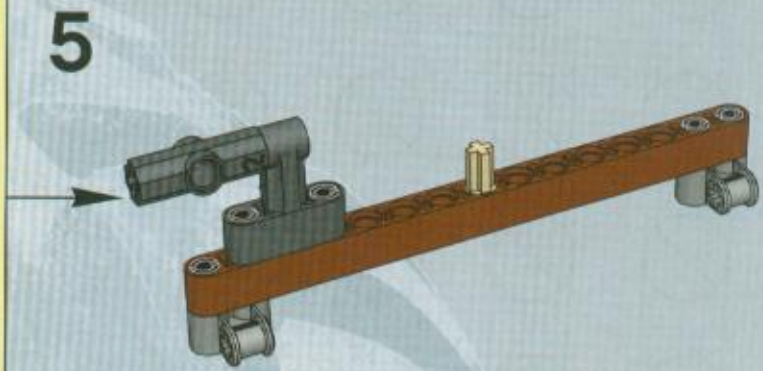
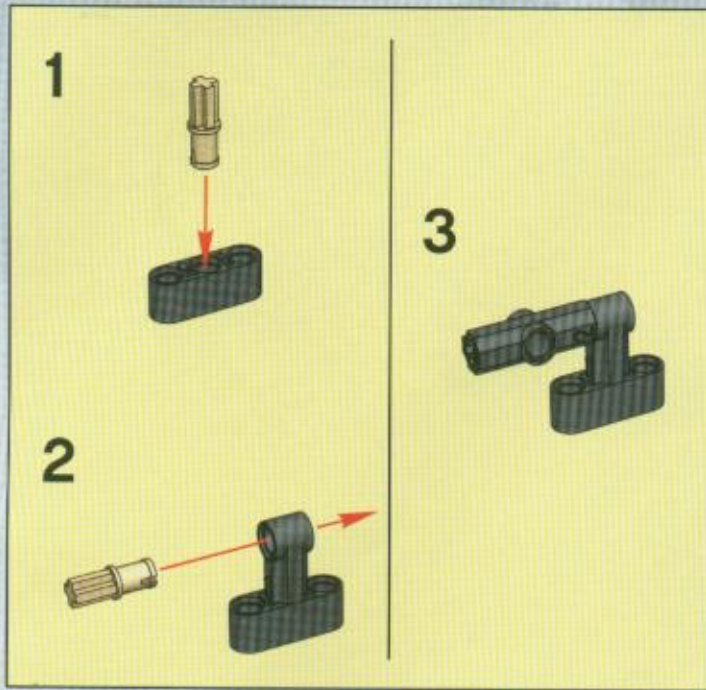
17





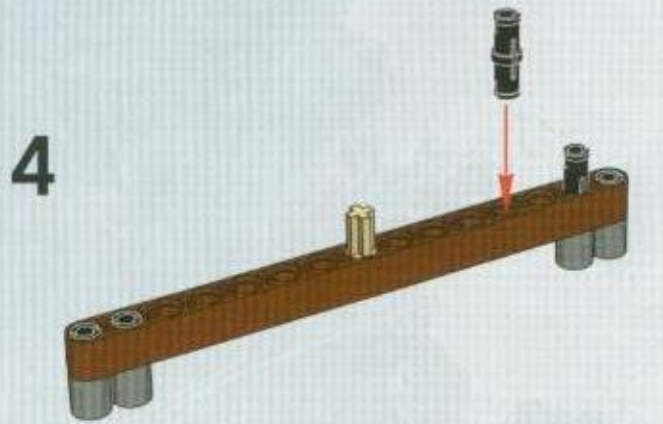
18

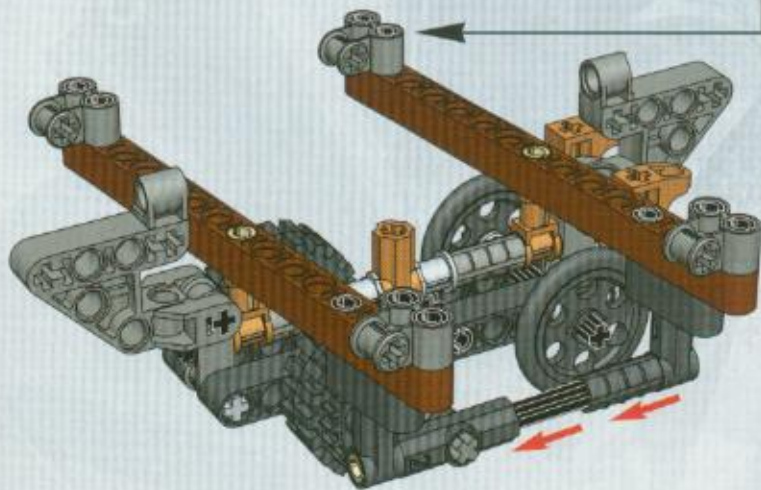
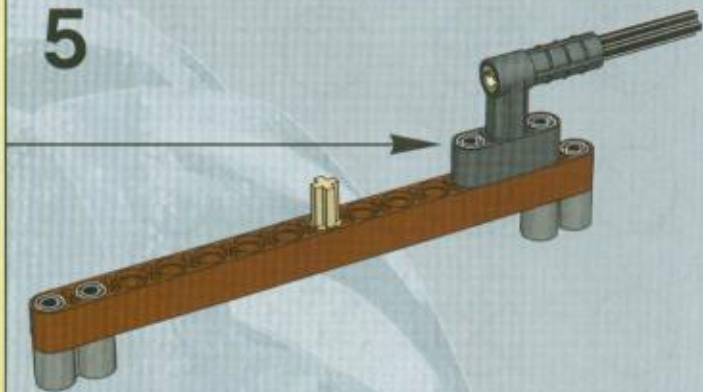
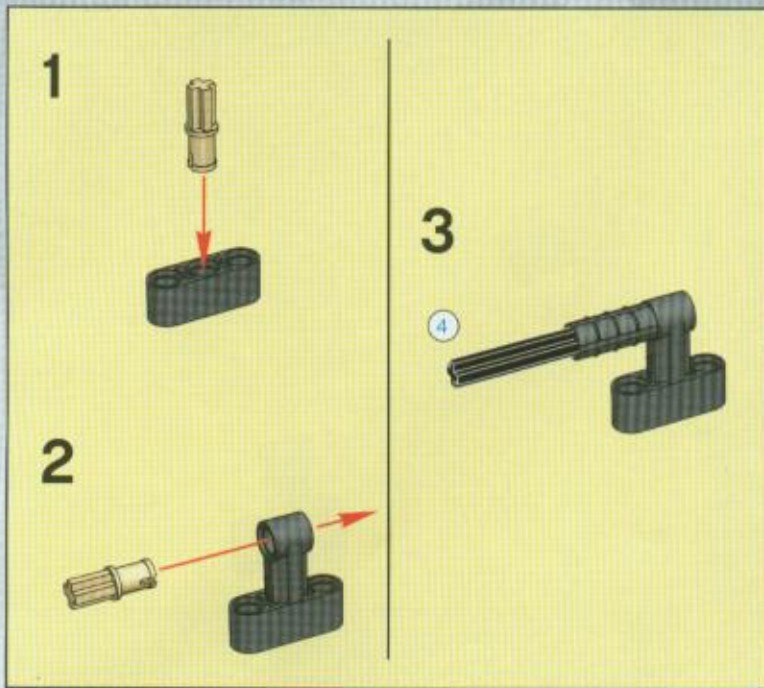


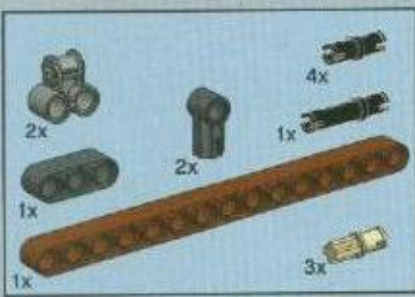




19

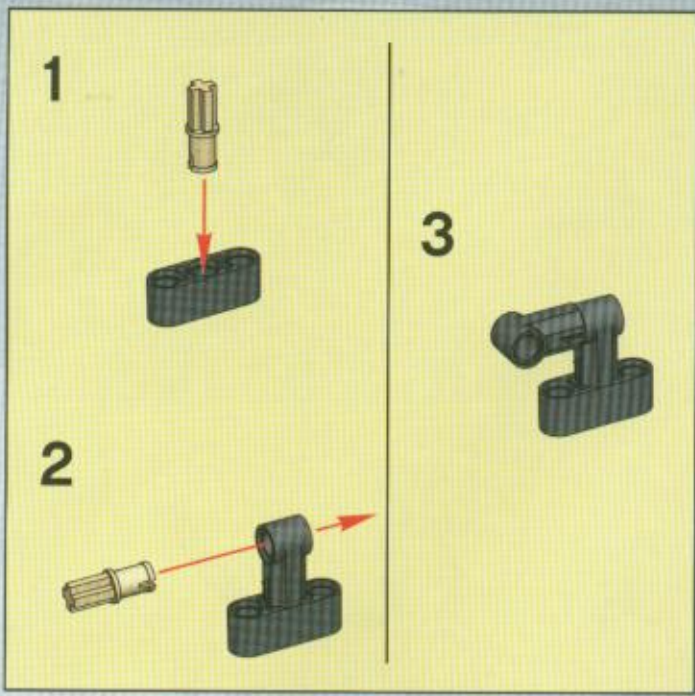




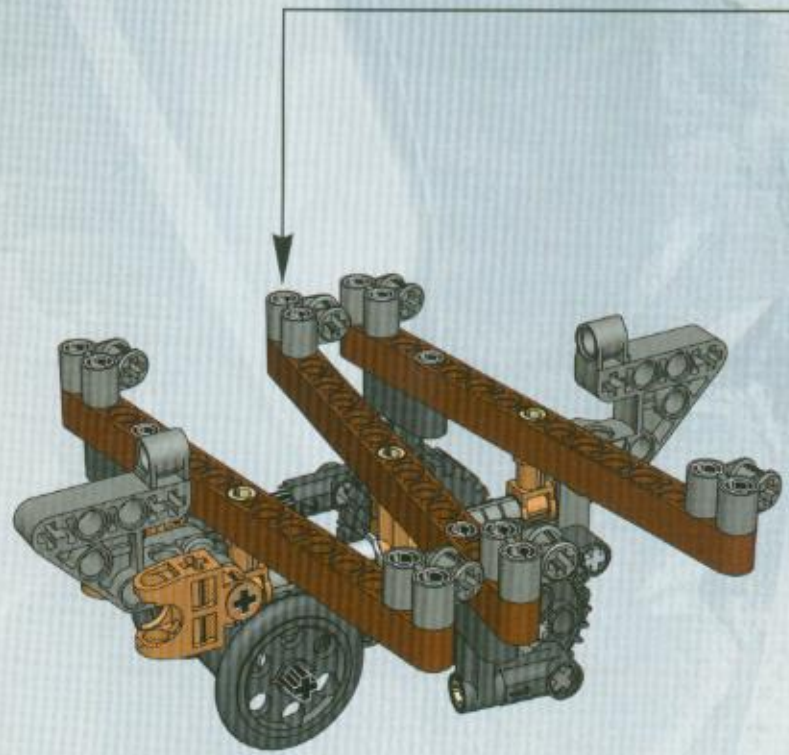
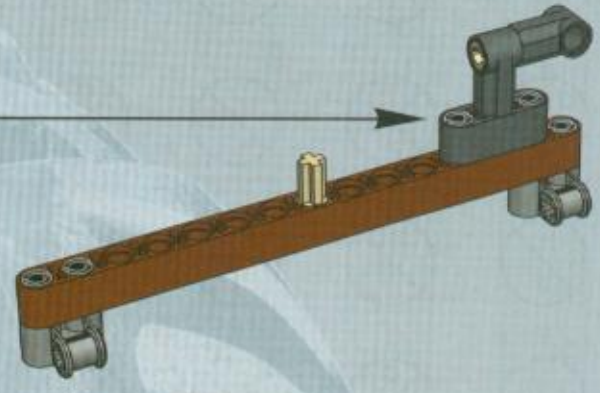


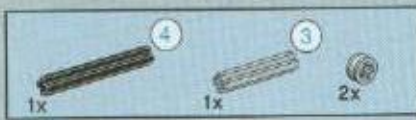
20



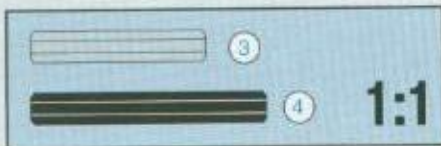
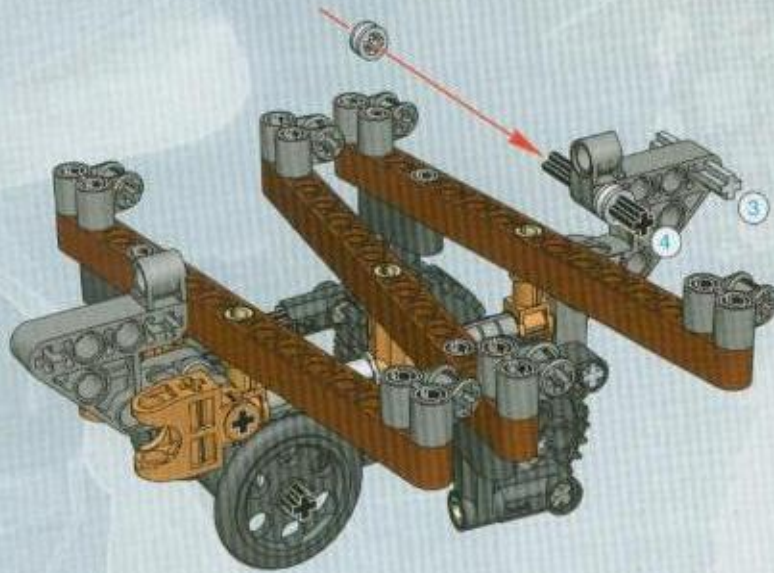


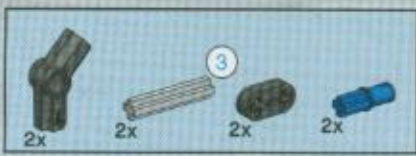
5



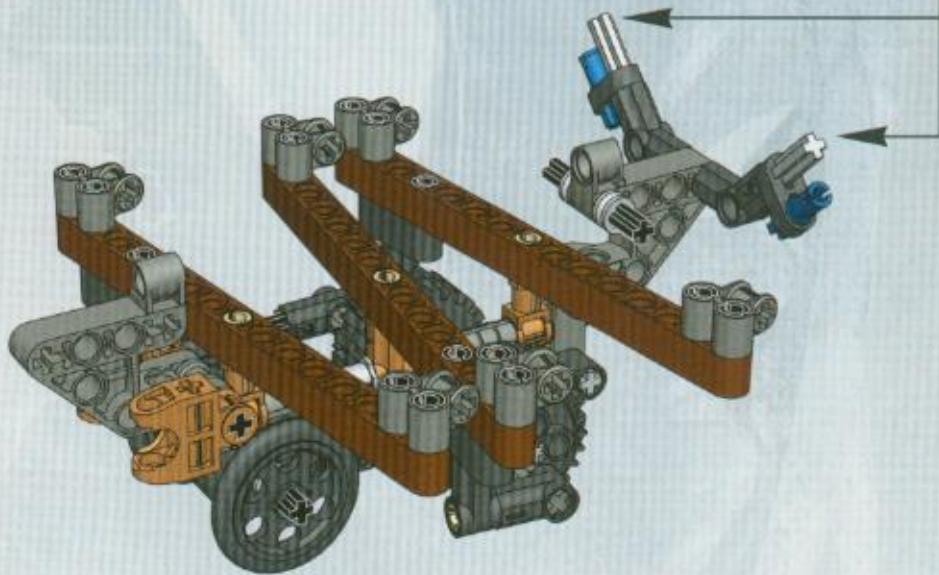
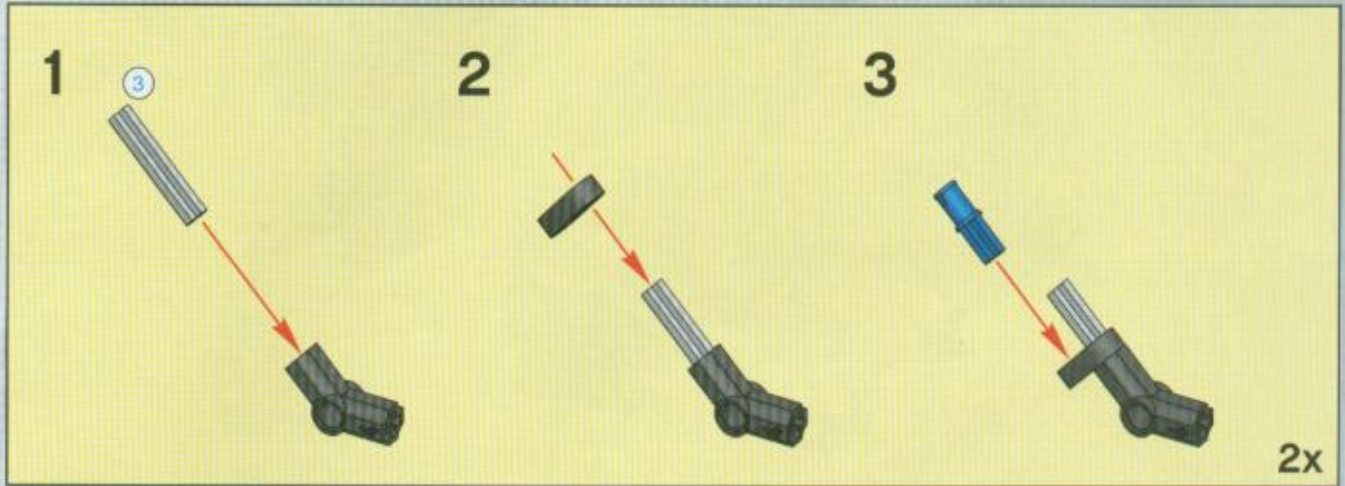


21



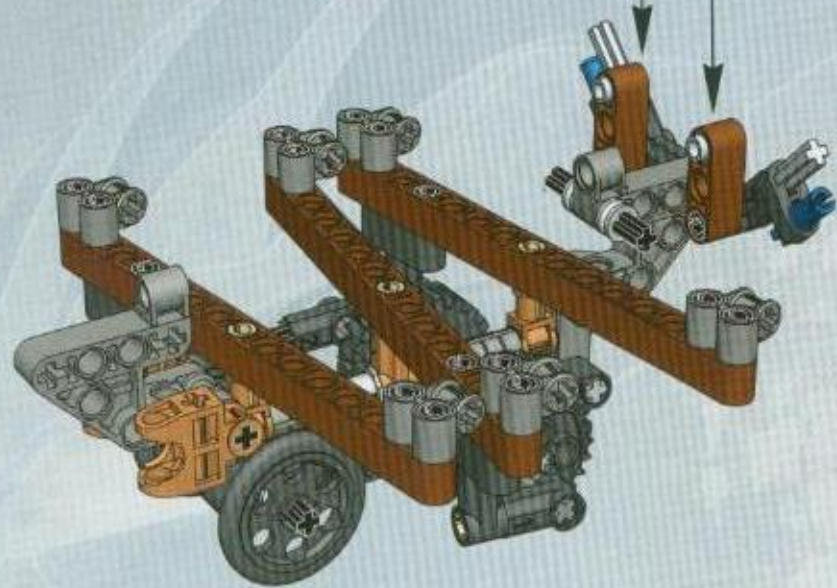
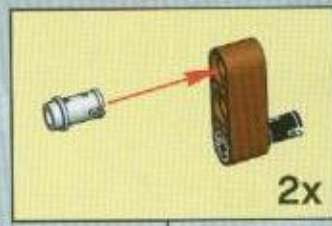


22

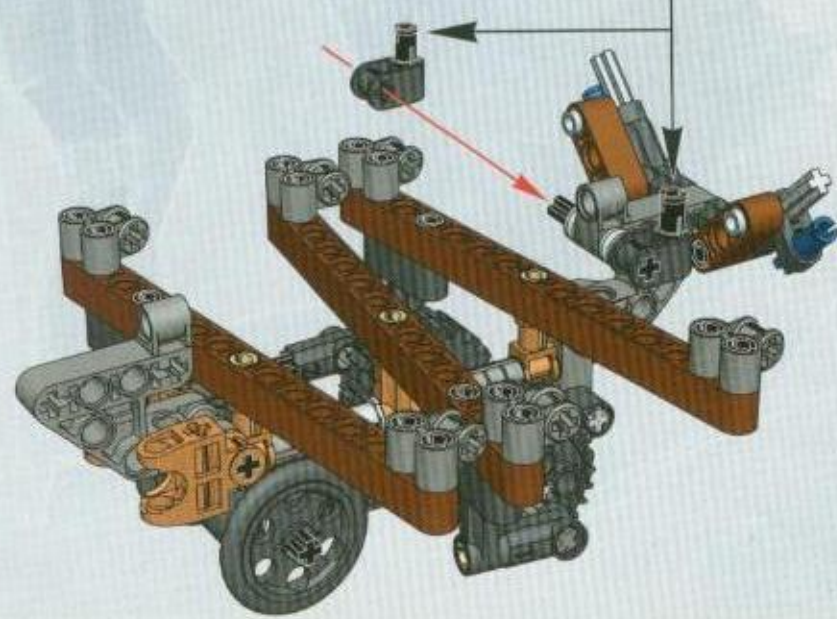




23

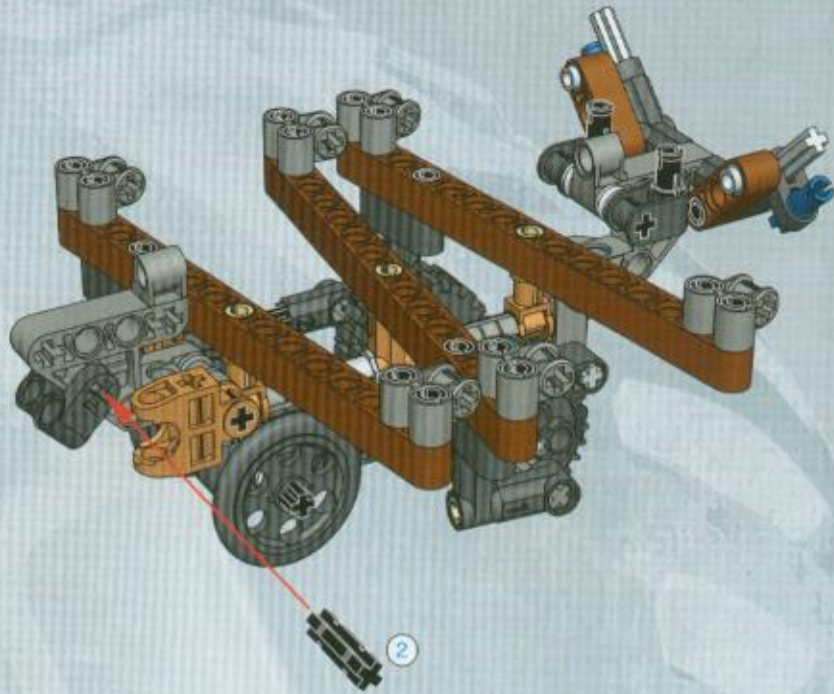


24

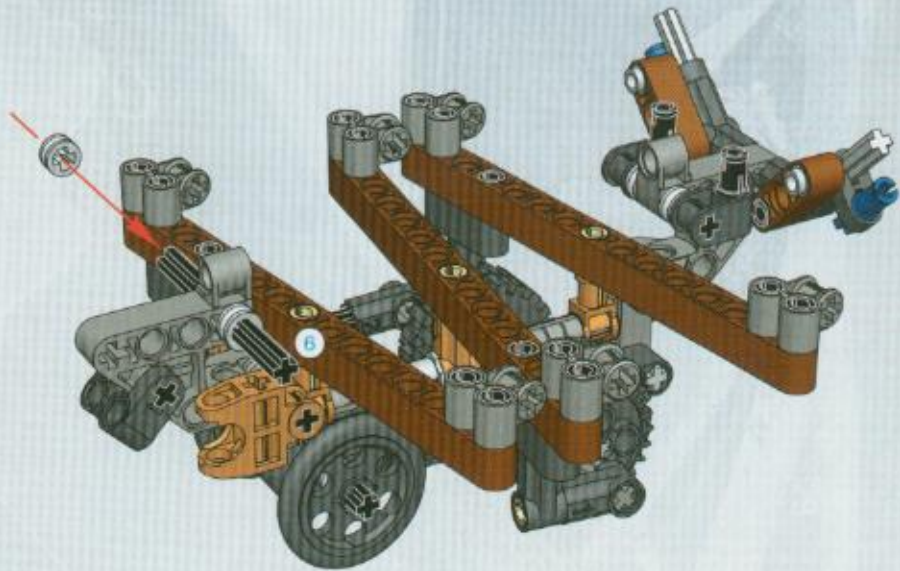




25

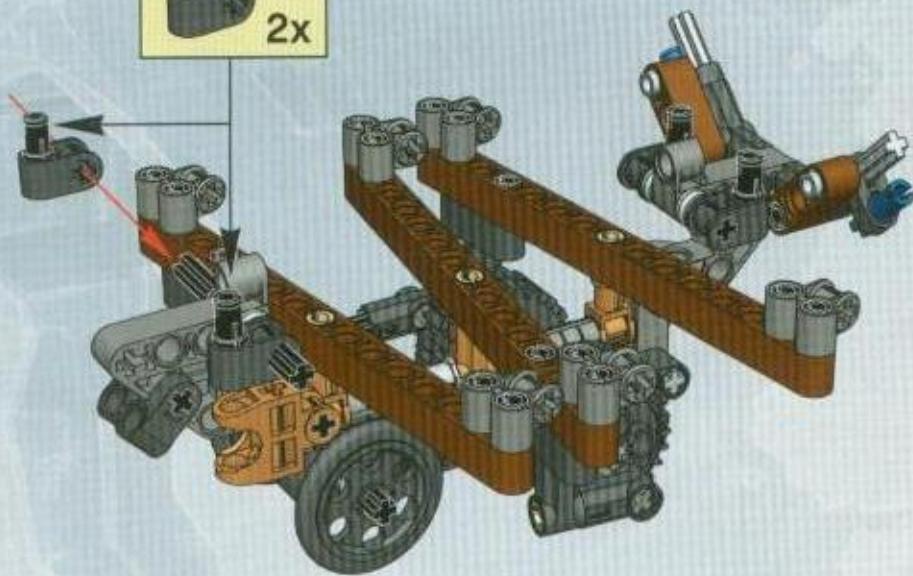
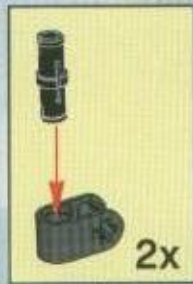


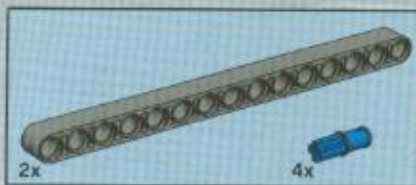
26



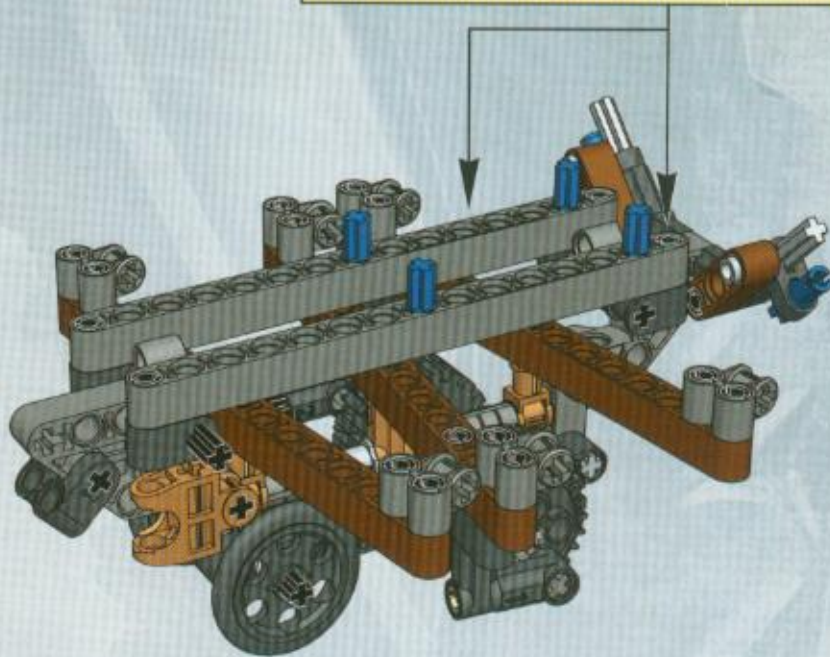
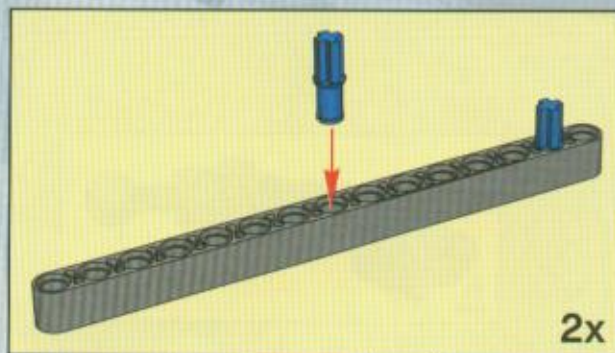


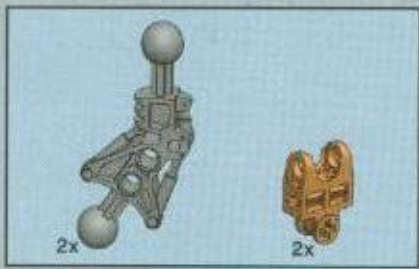
27



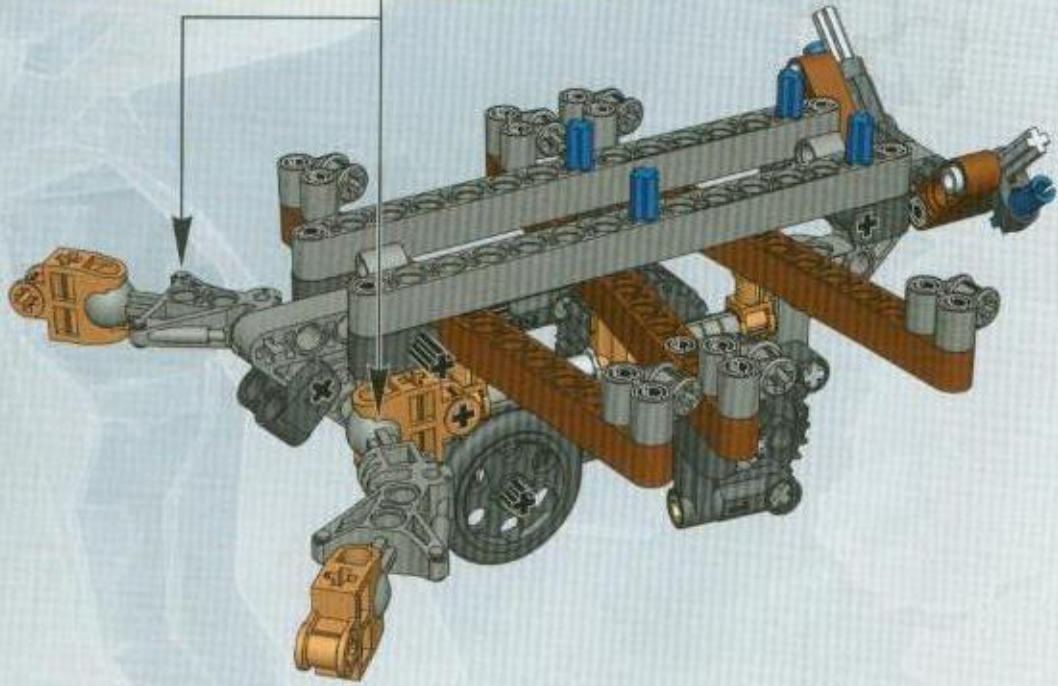
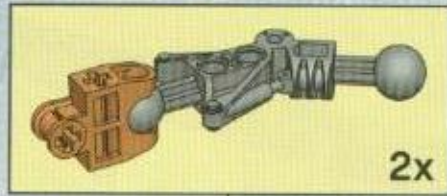


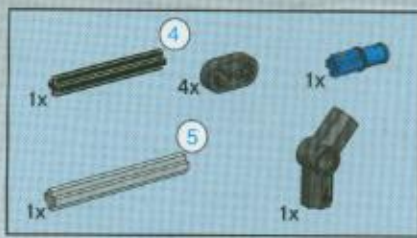
28



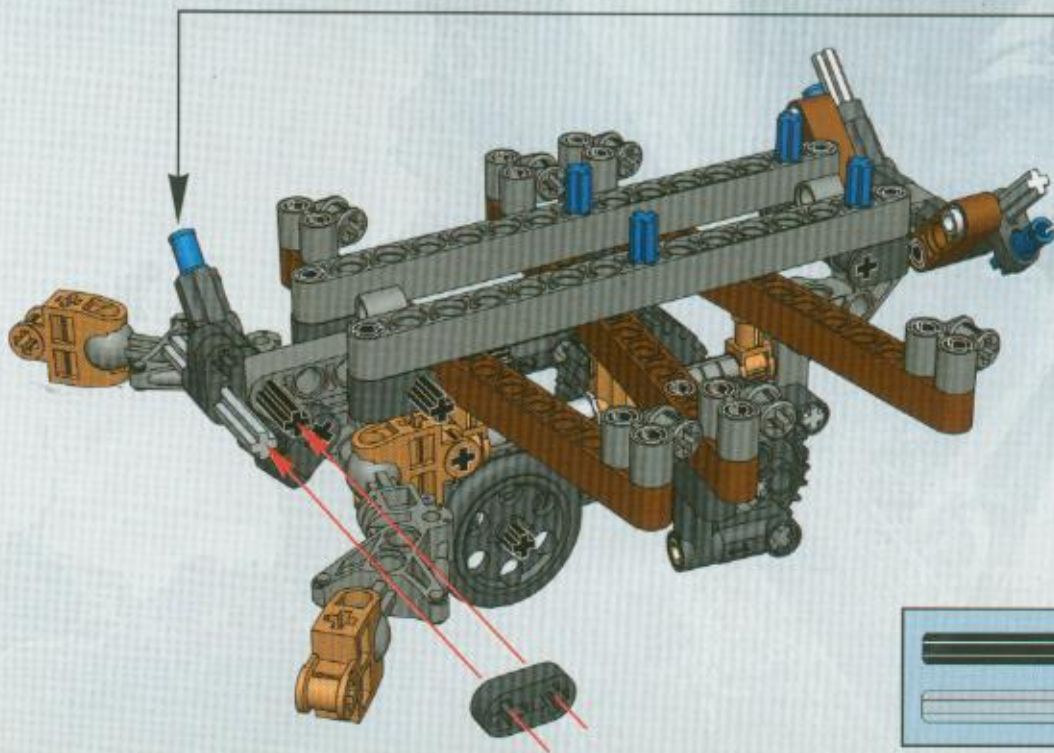
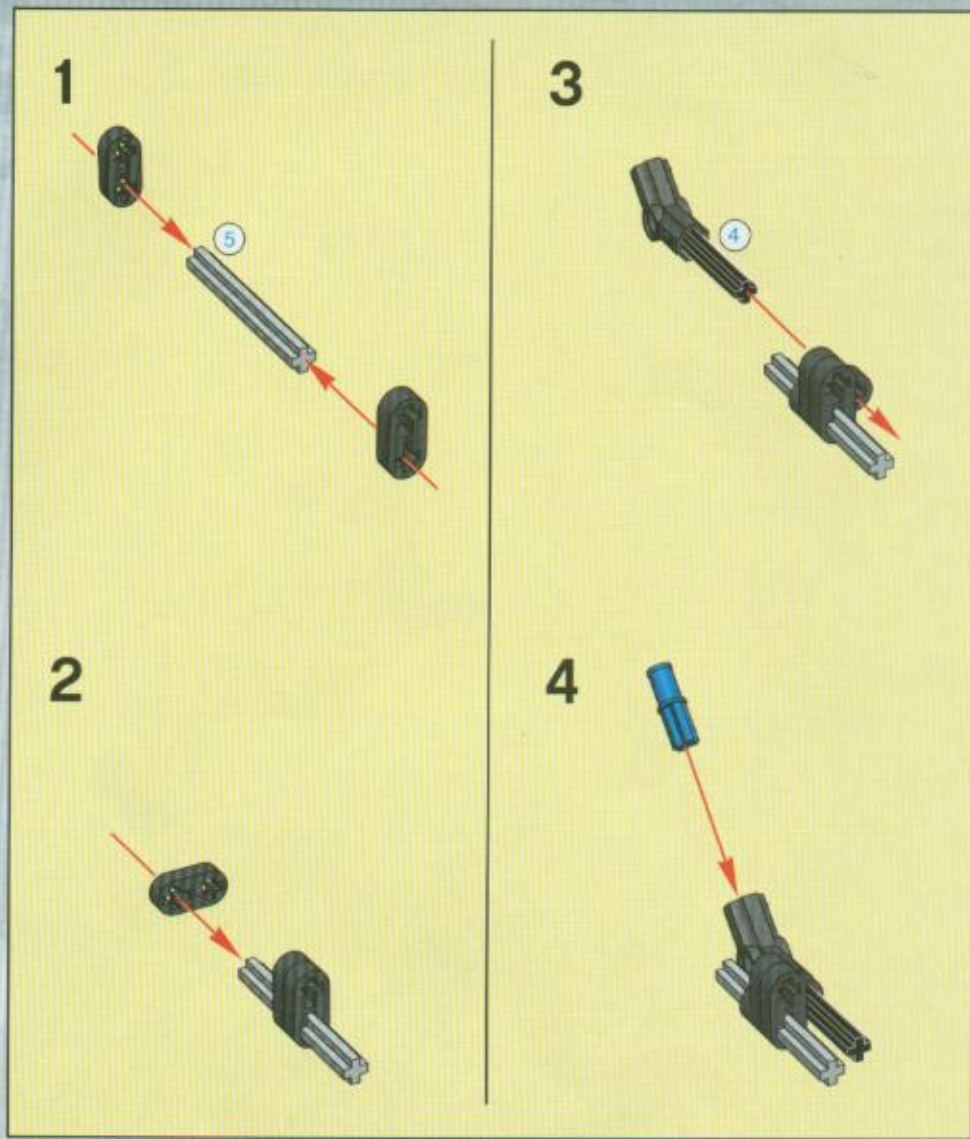


29



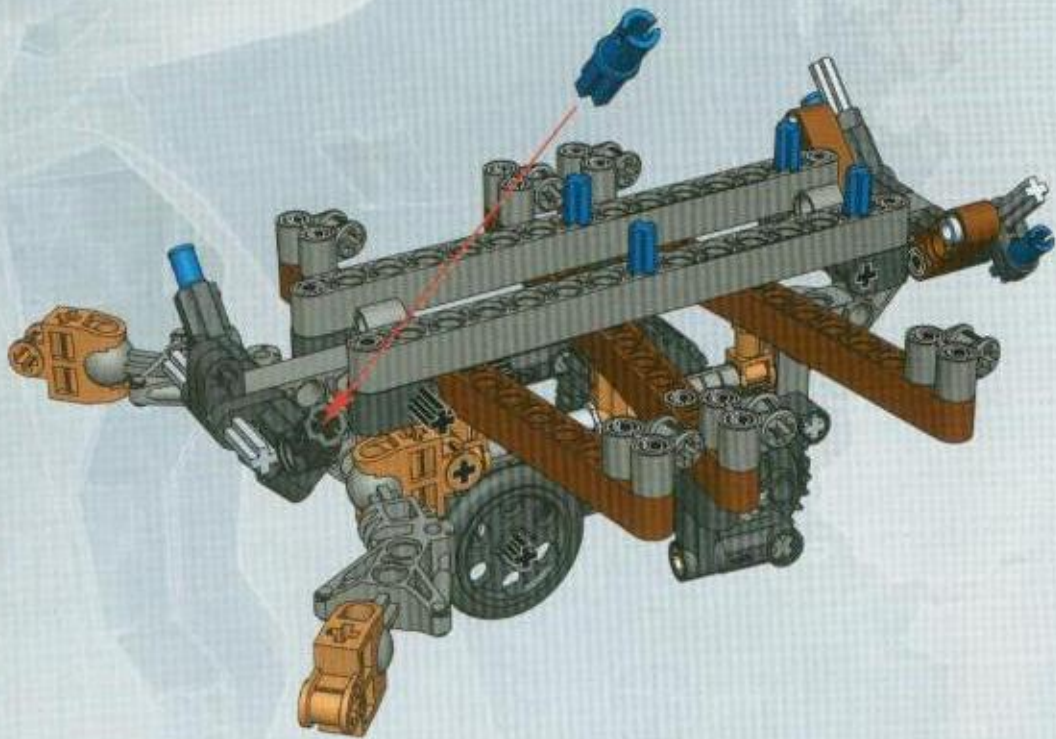


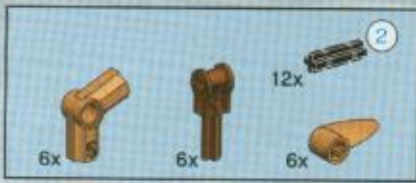
30



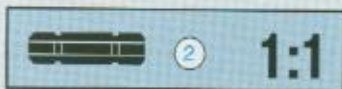
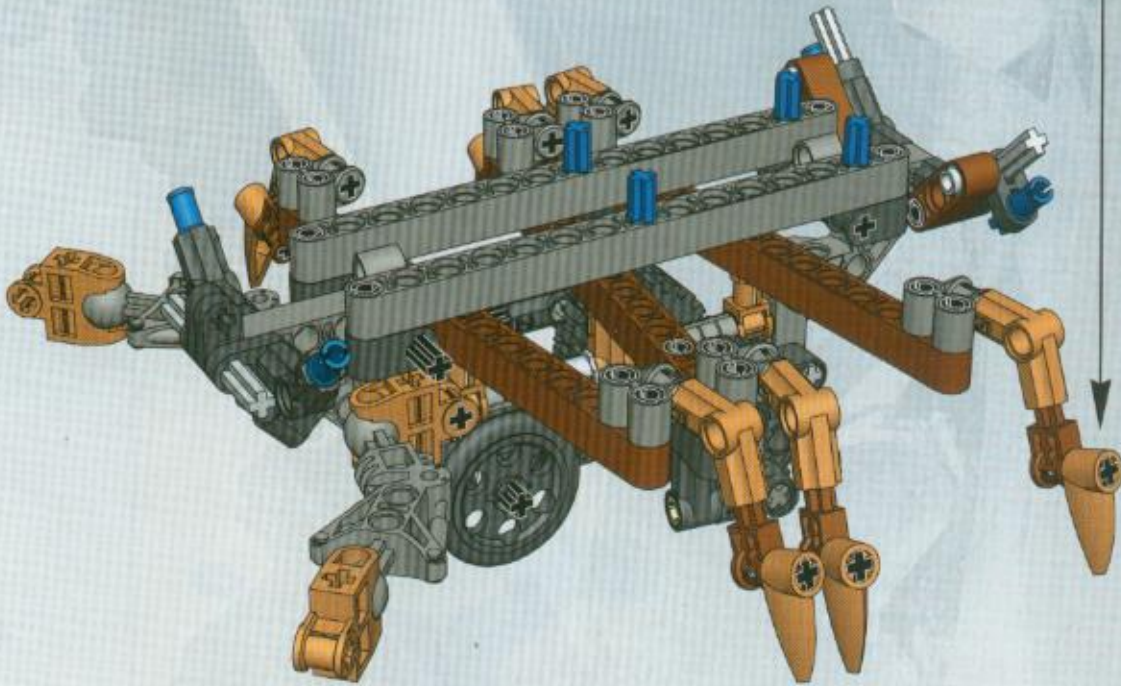
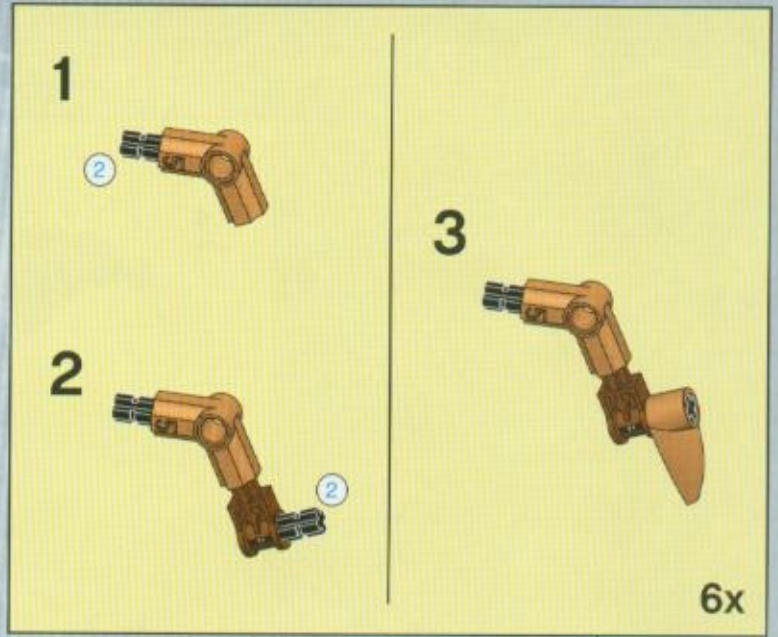


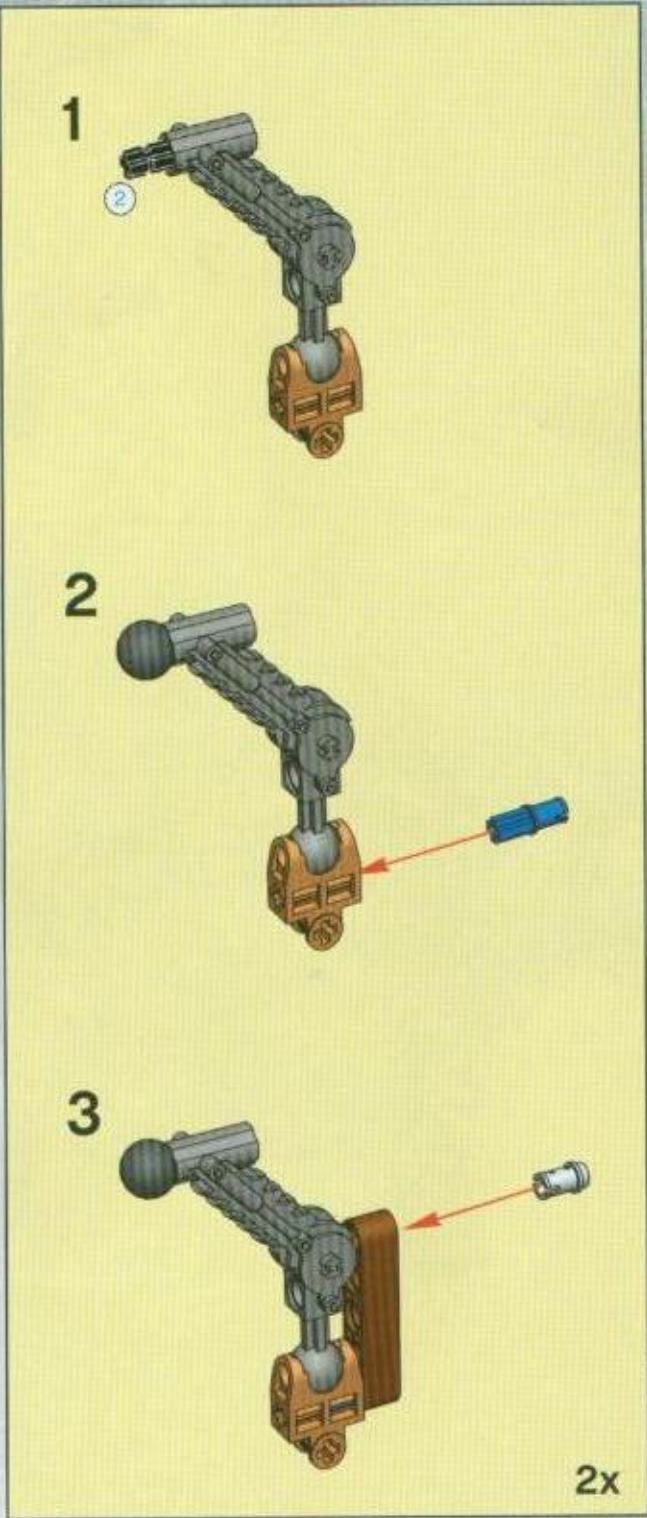
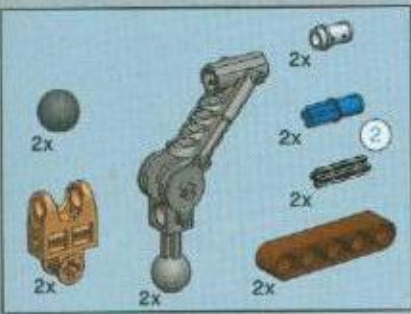
31

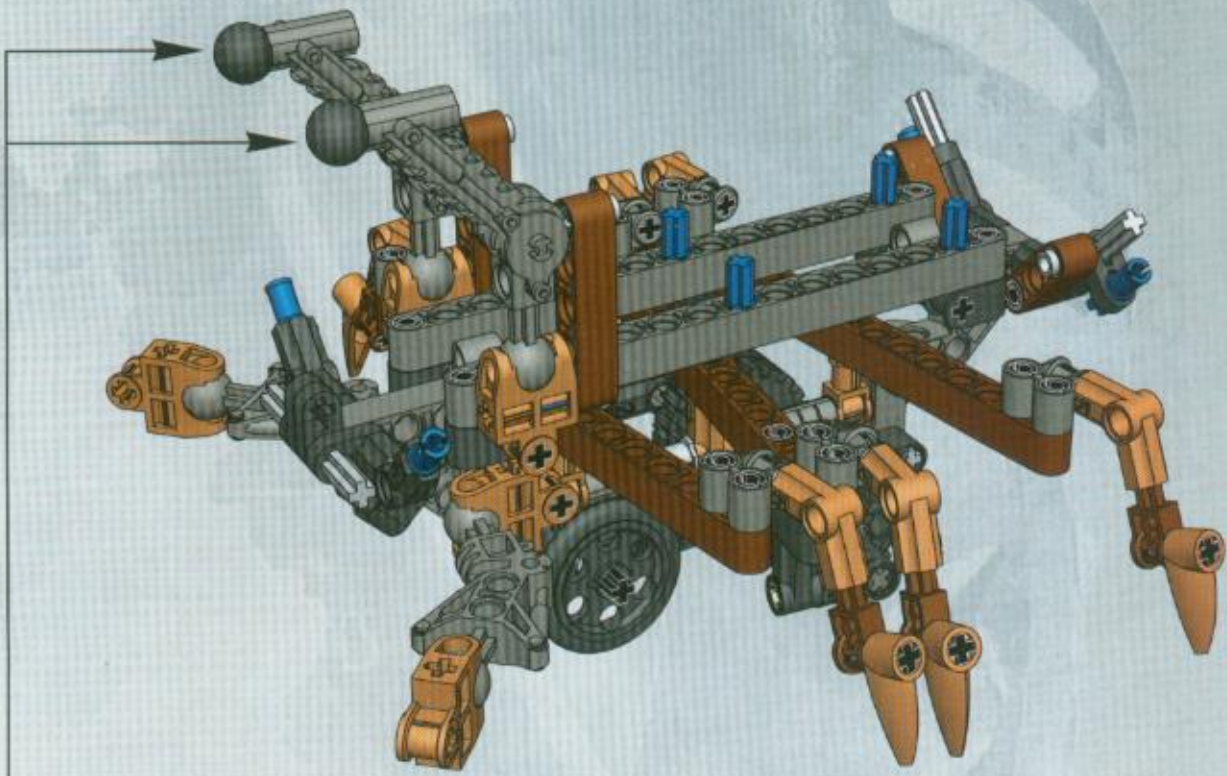


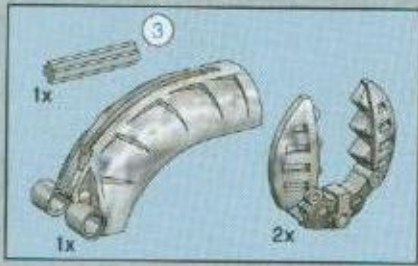


32

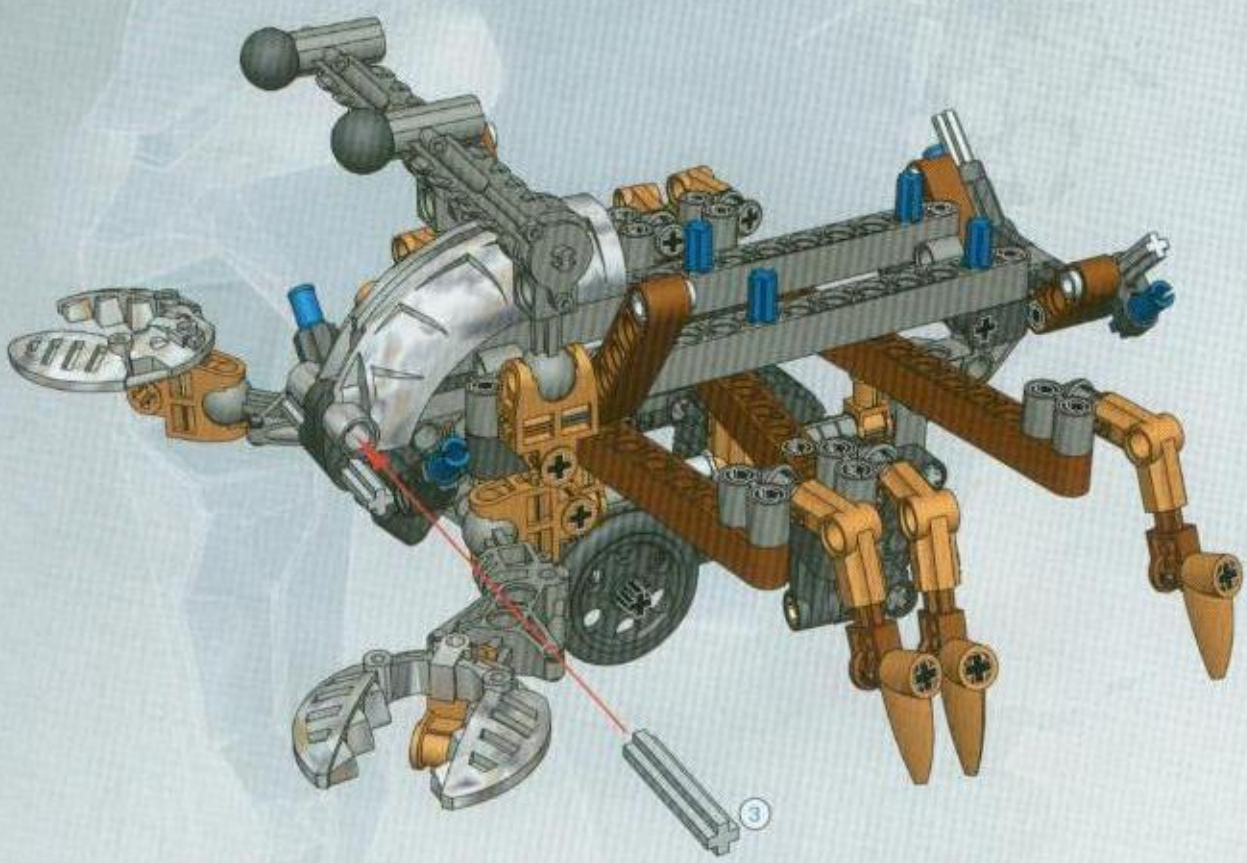


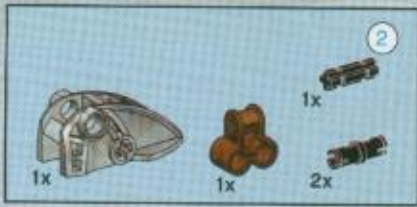




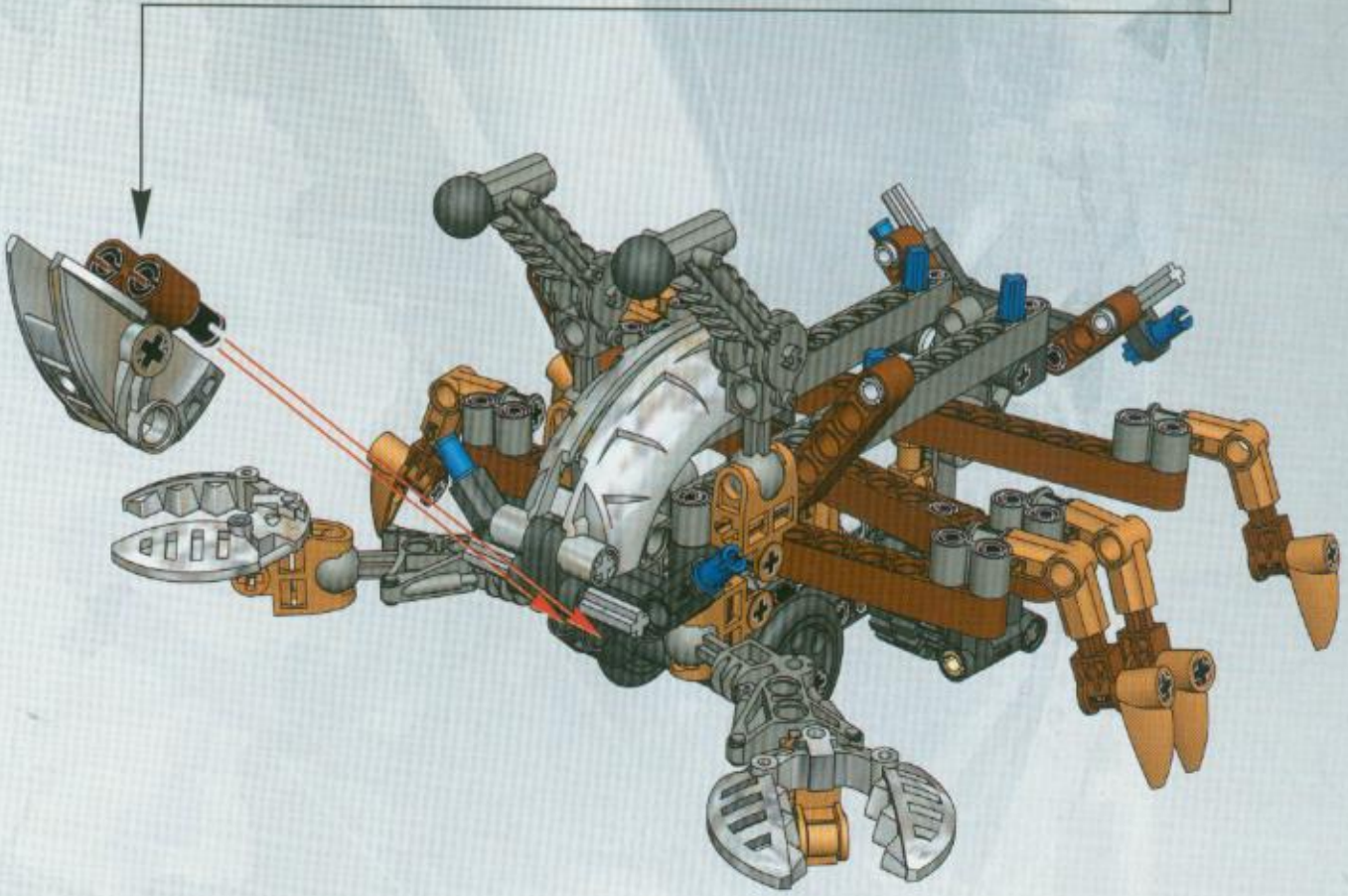
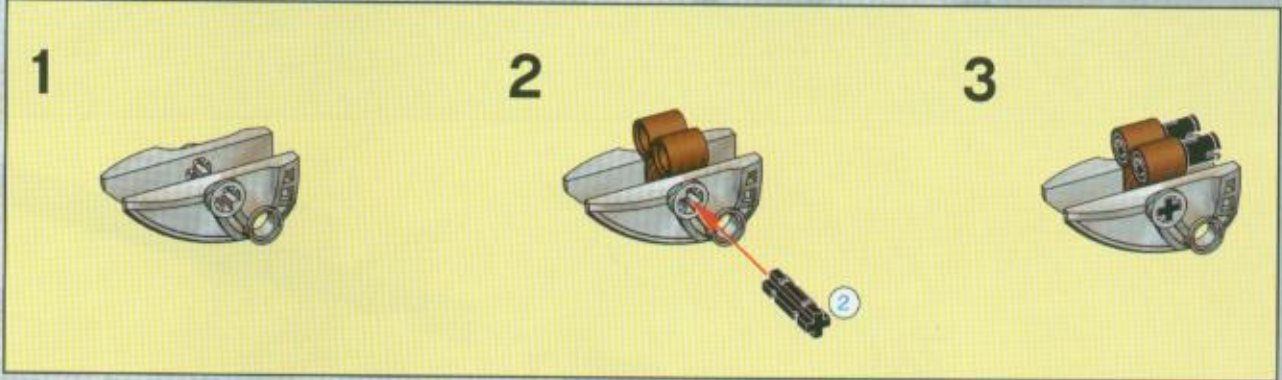


34



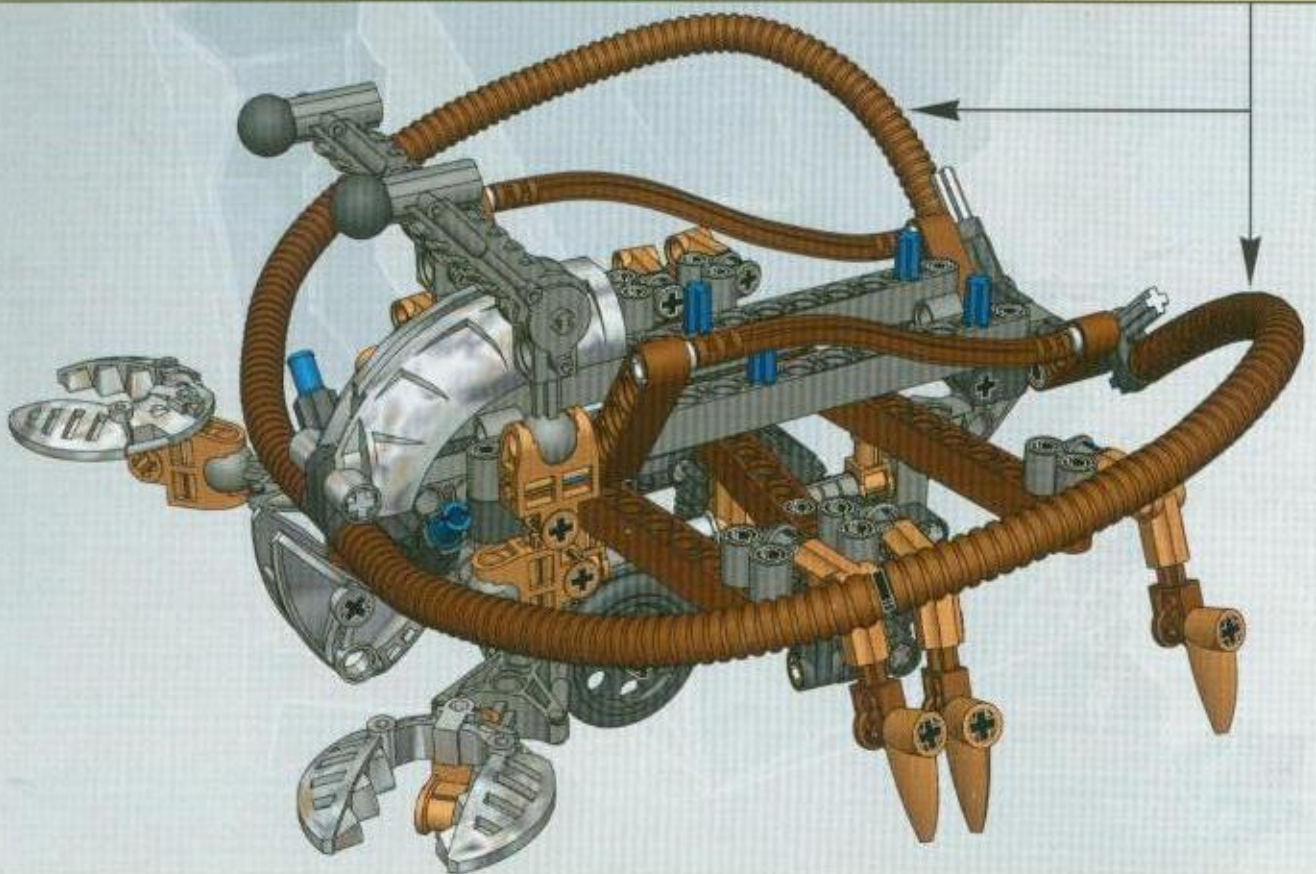
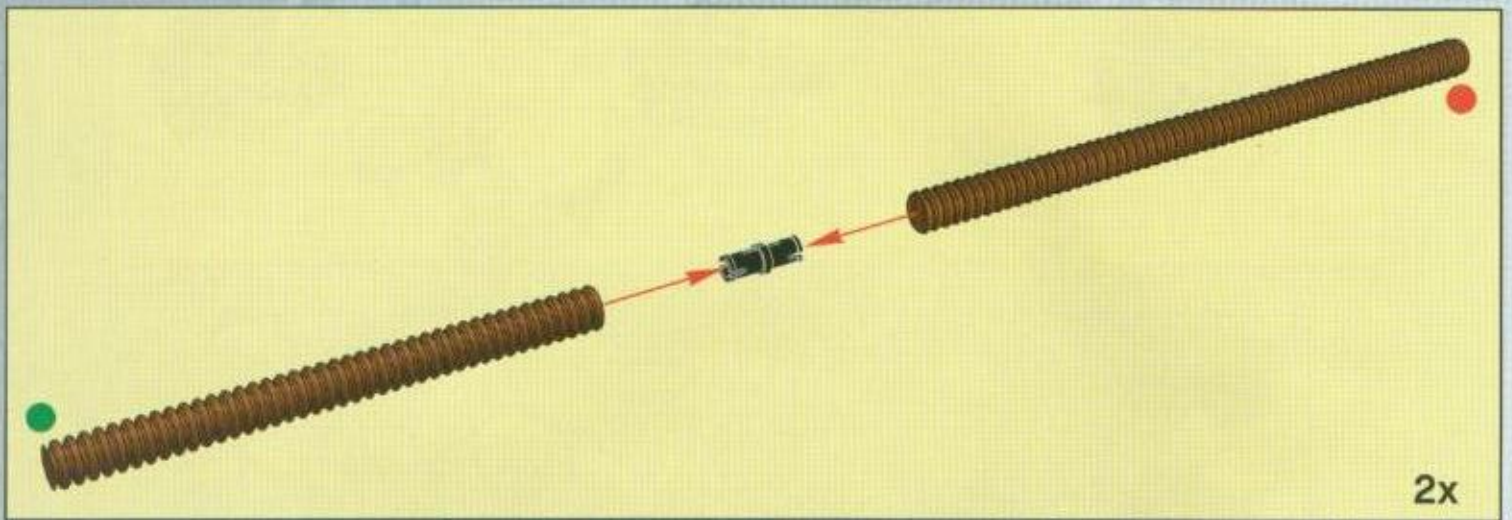


35



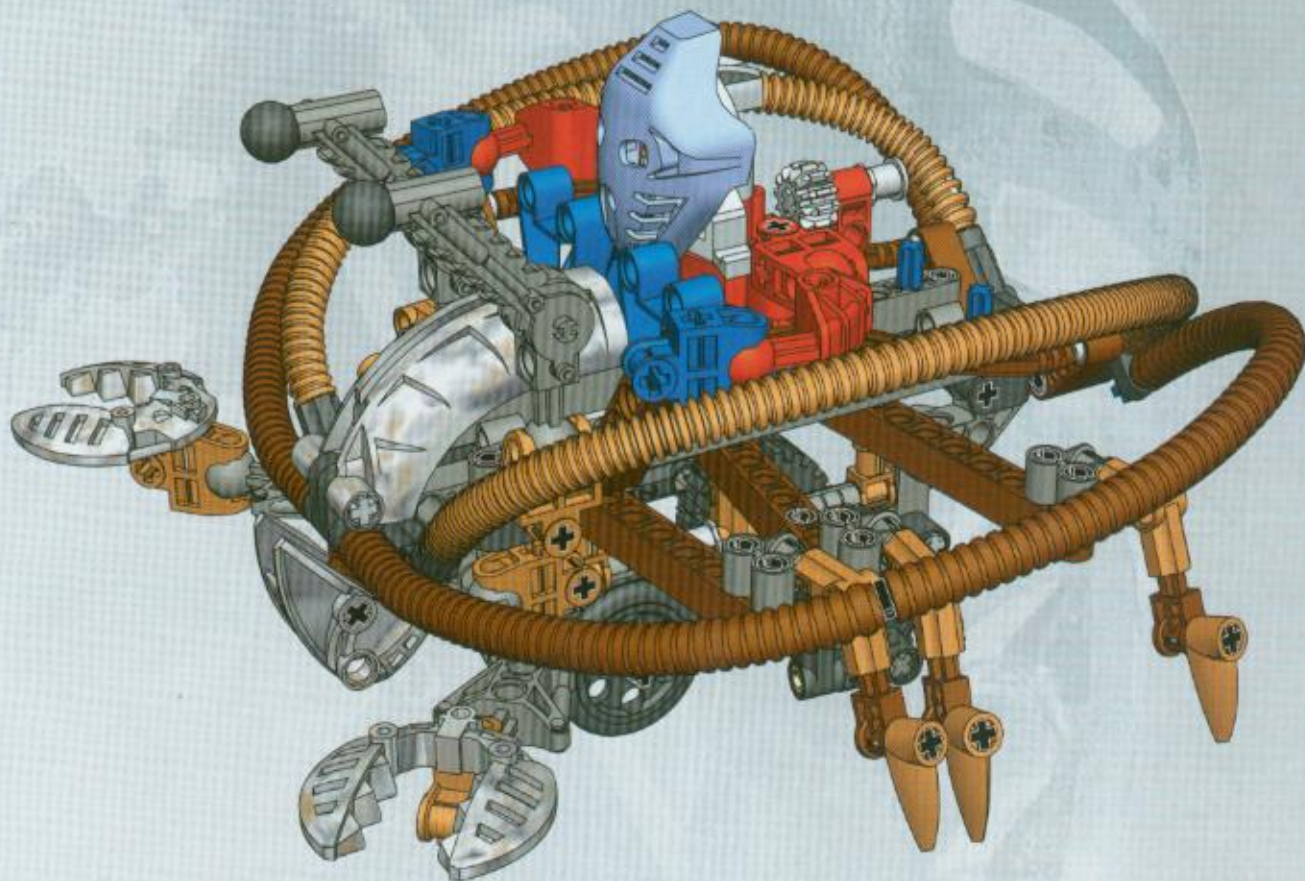


36





37





8595
Takua &
Pewku



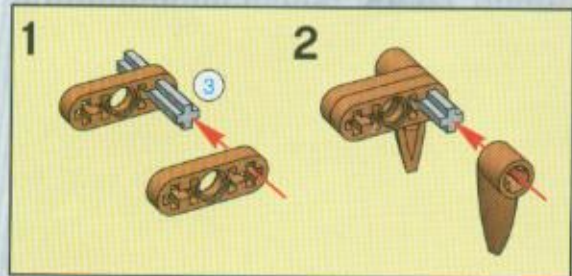
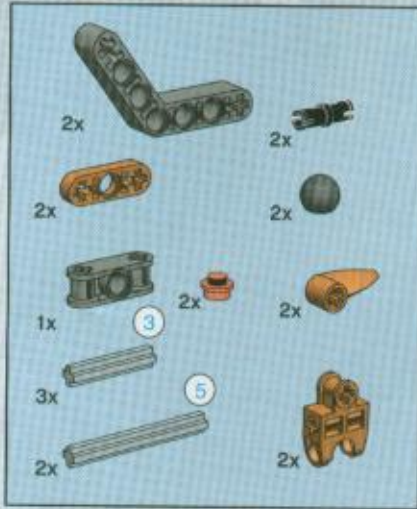
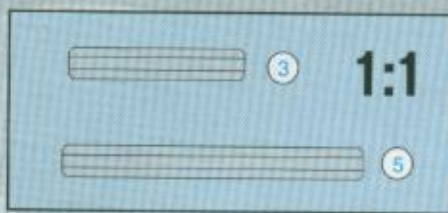
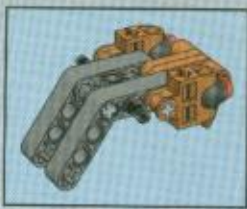
8594
Jaller &
Gukko

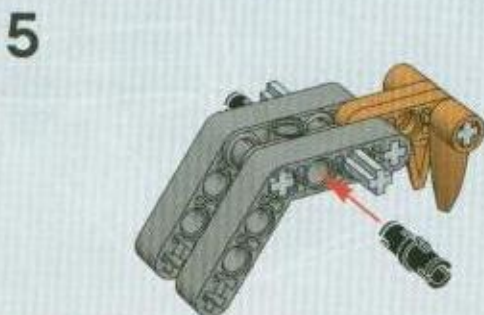
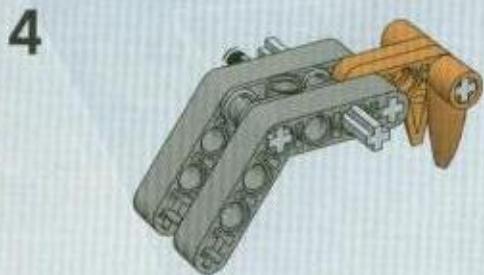
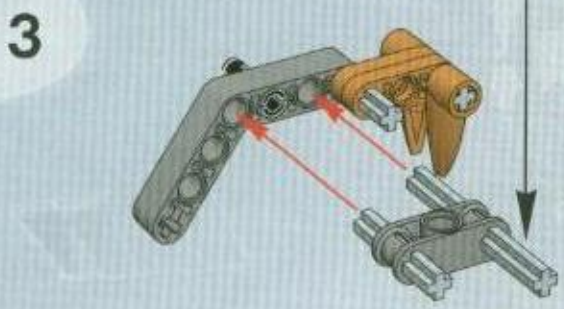
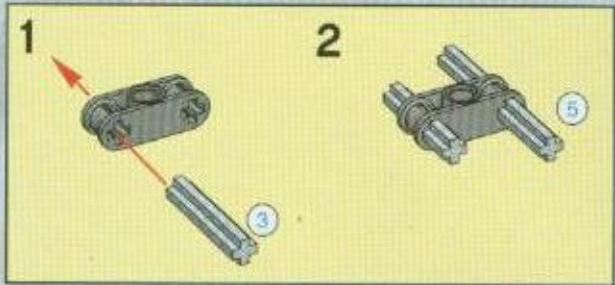
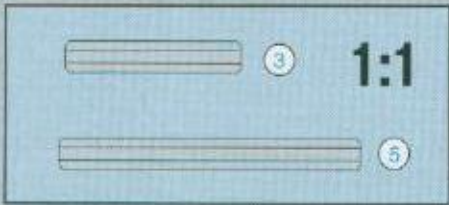


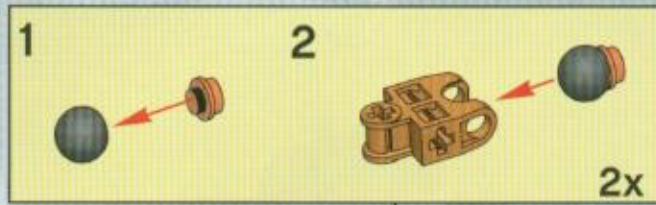
8593
Makuta



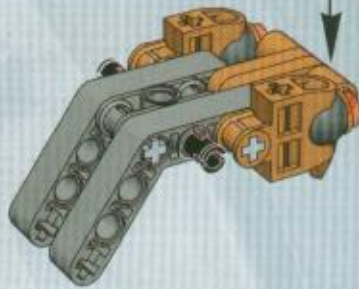
8593 + 8594 + 8595



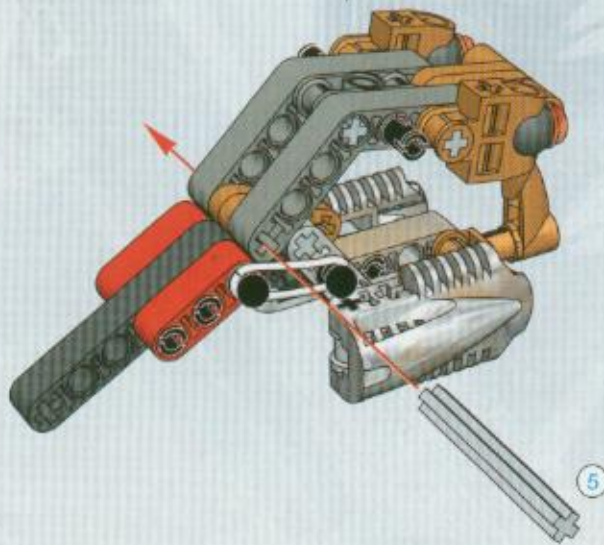


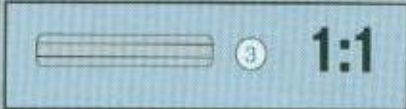
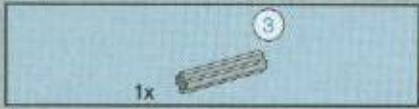


6

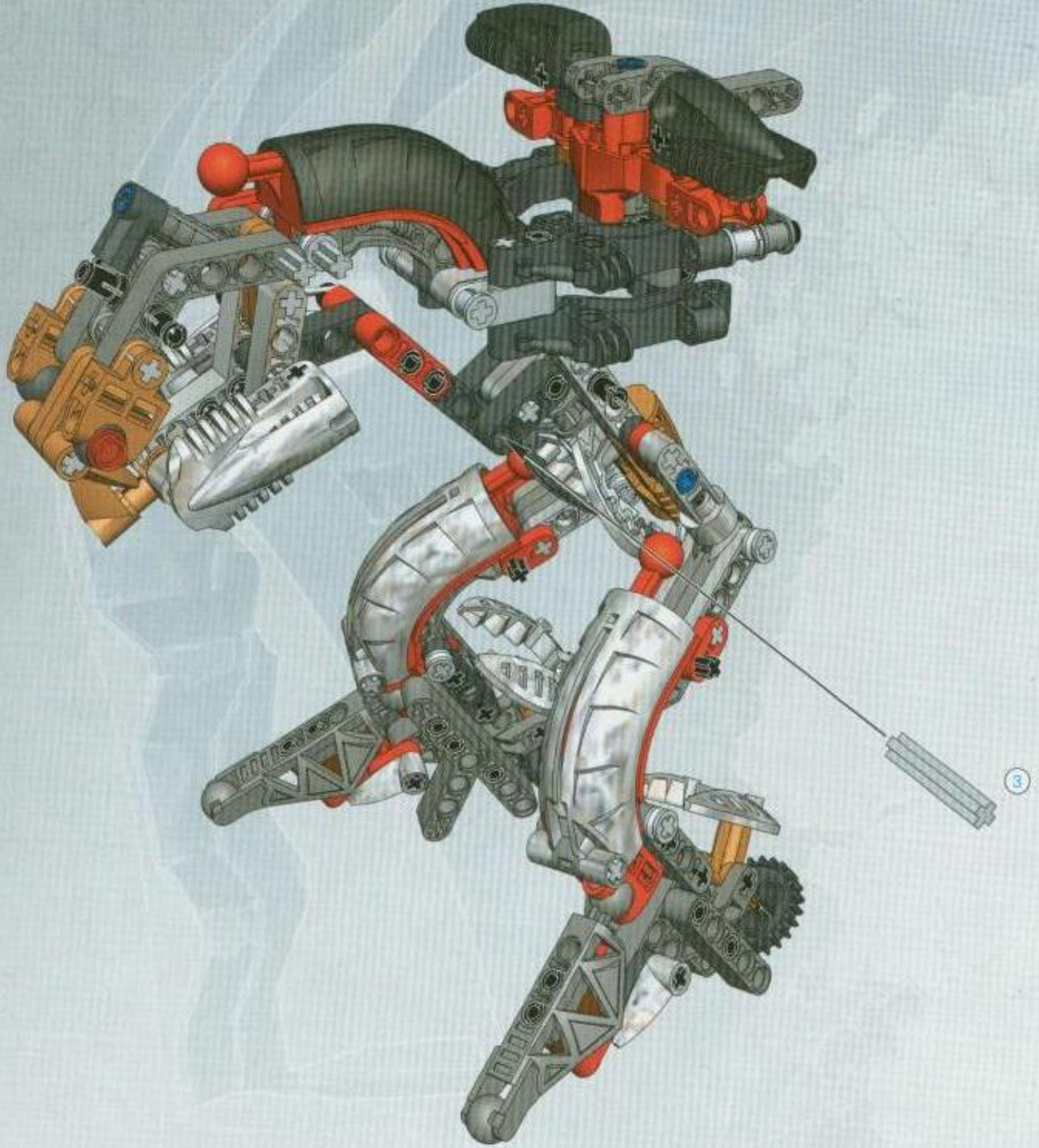


10





17



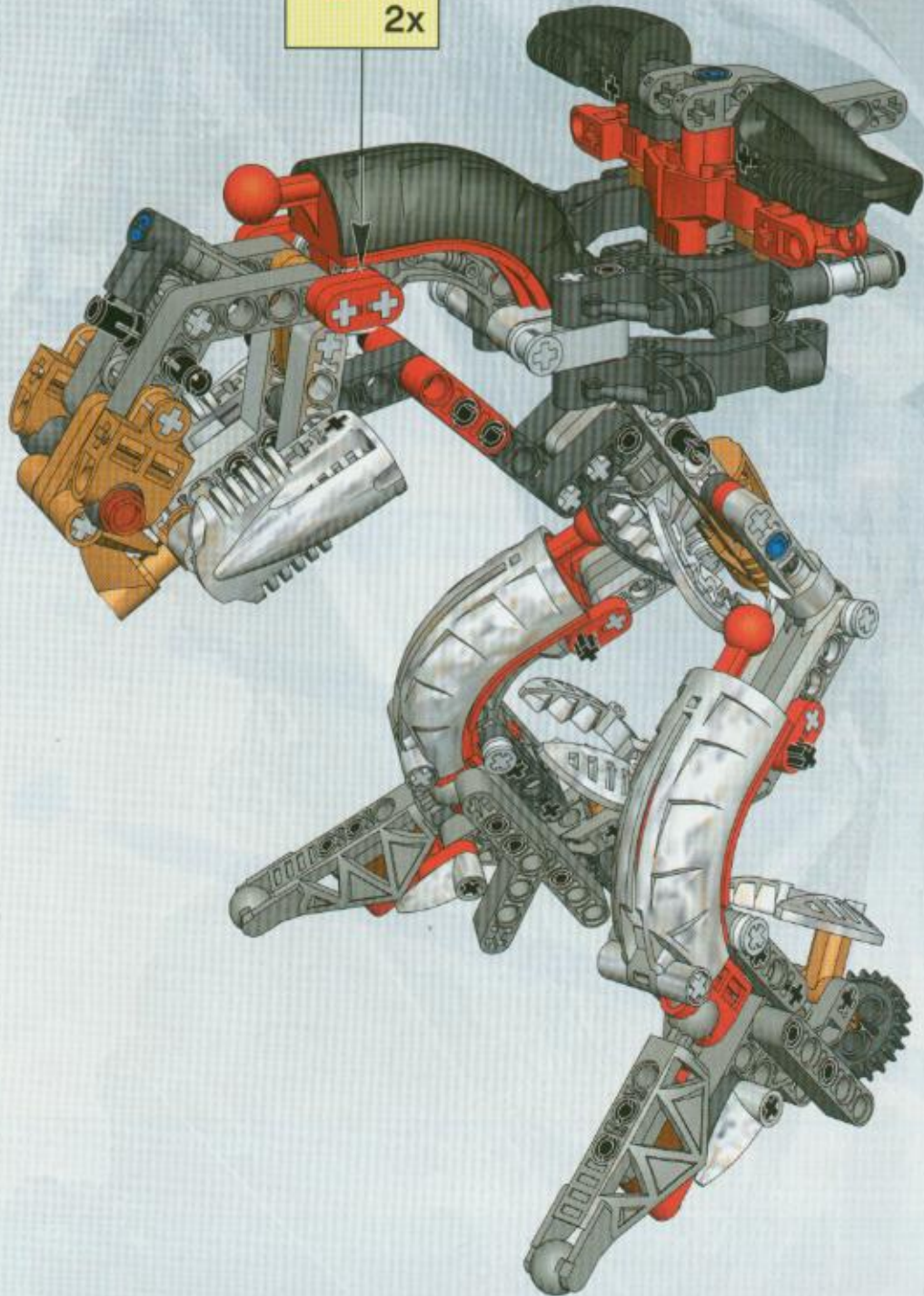
2x

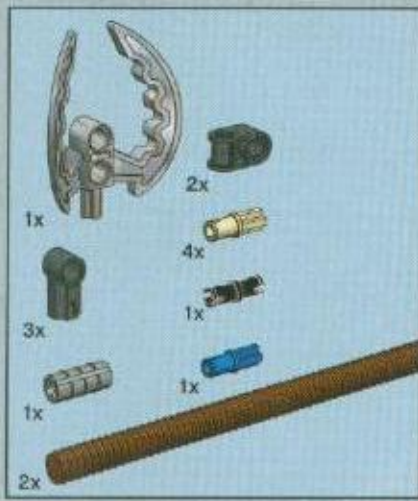


18

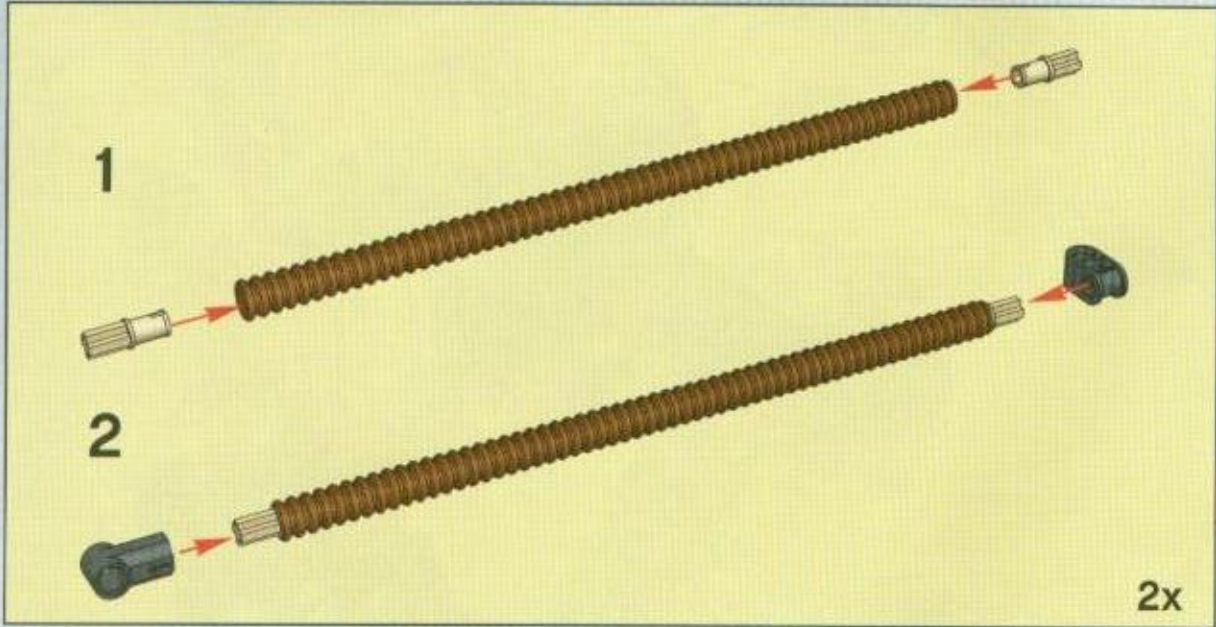
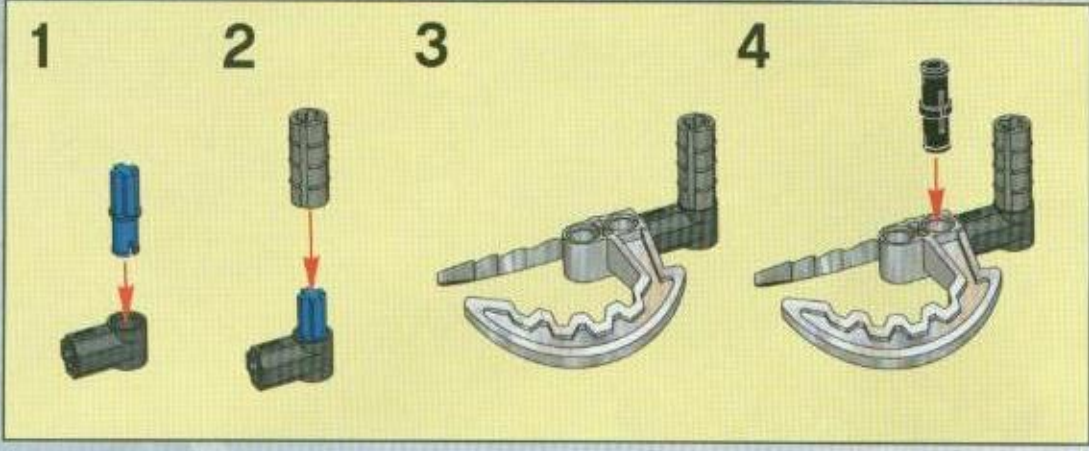


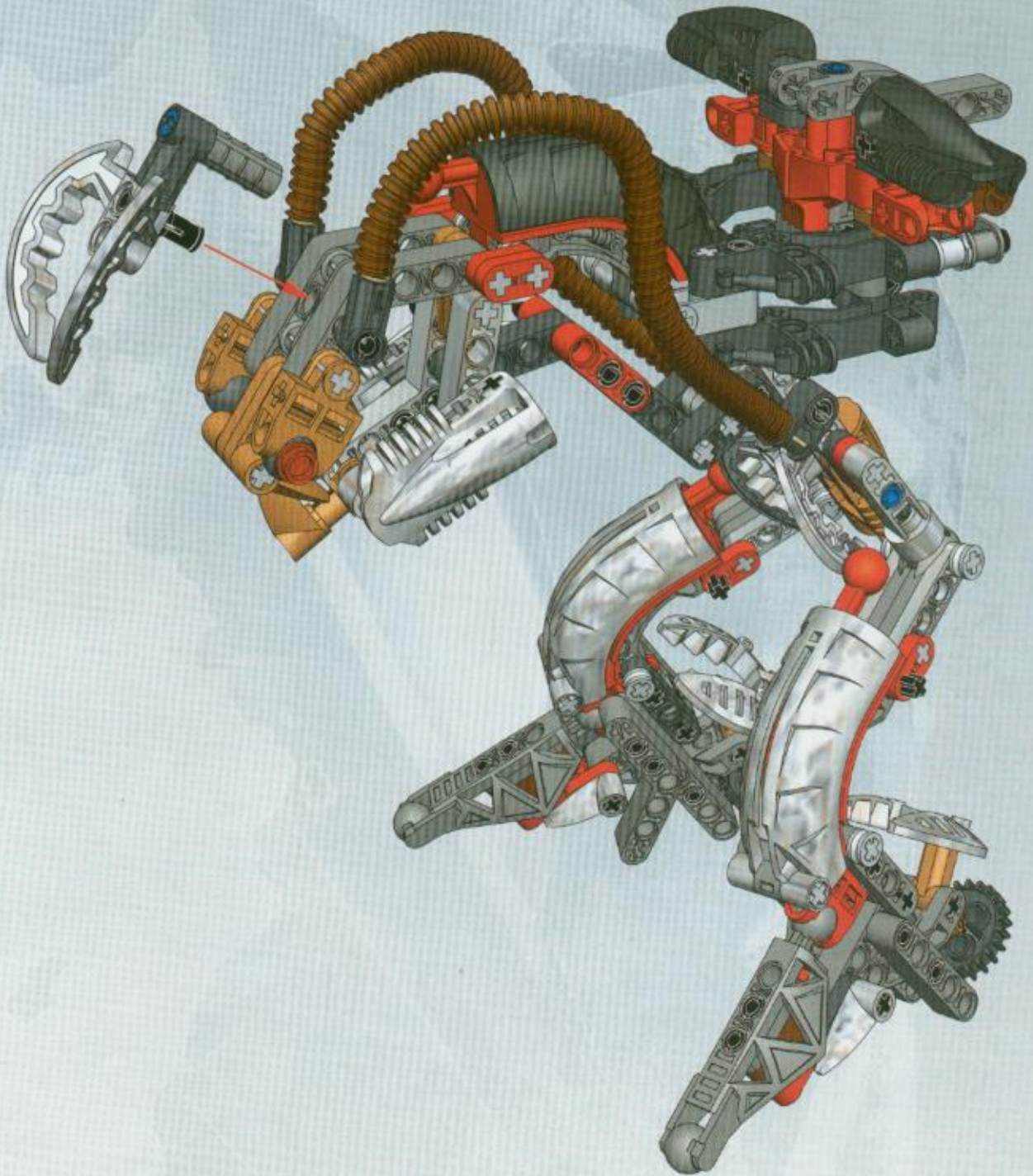
2x

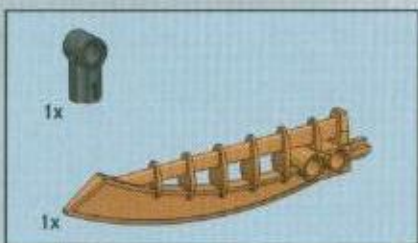
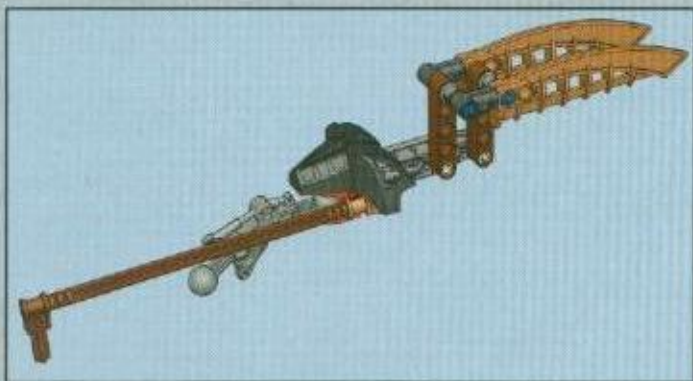




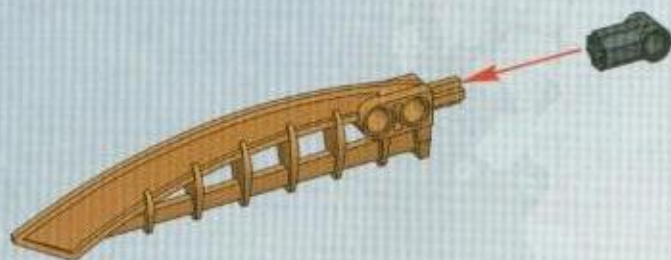
19



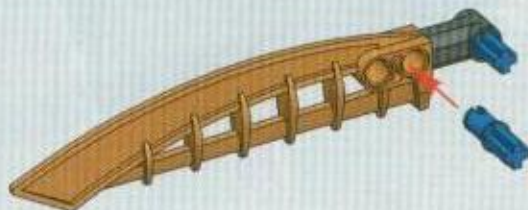




1

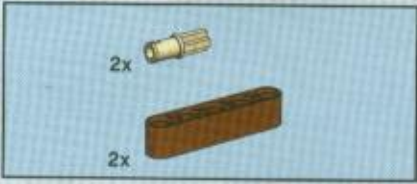


2

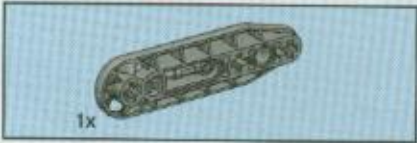




3

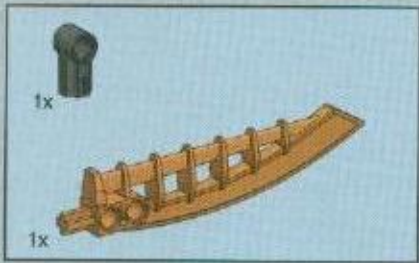


4

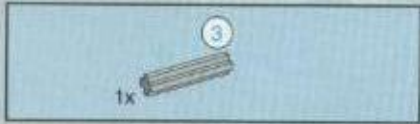
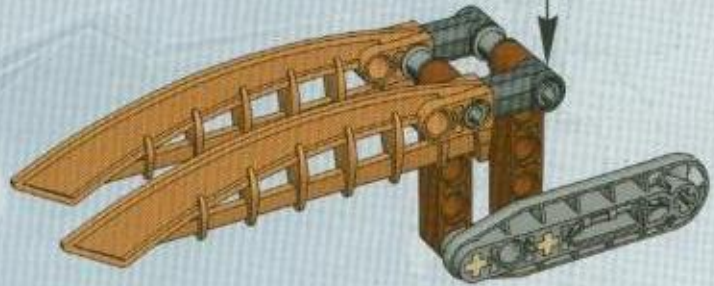
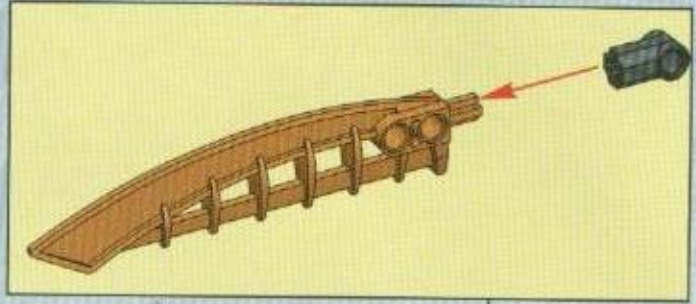


5

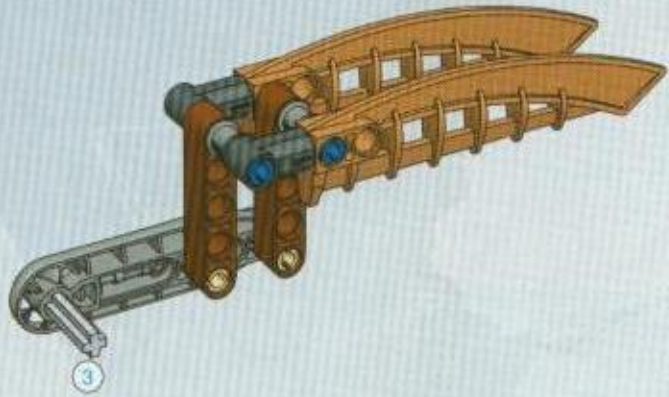




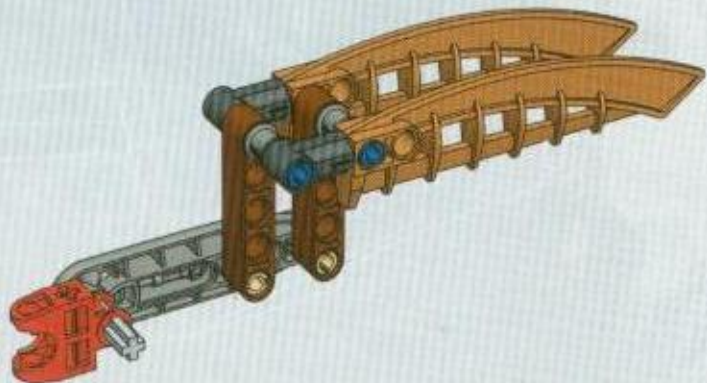
6

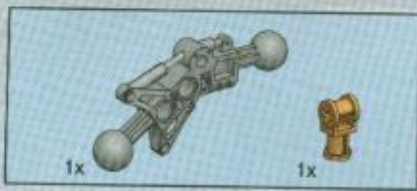


7

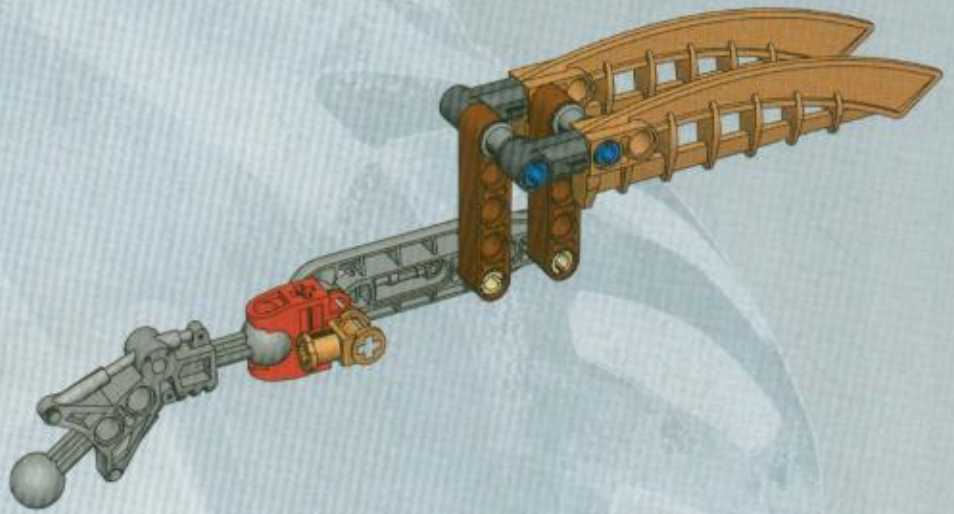


8

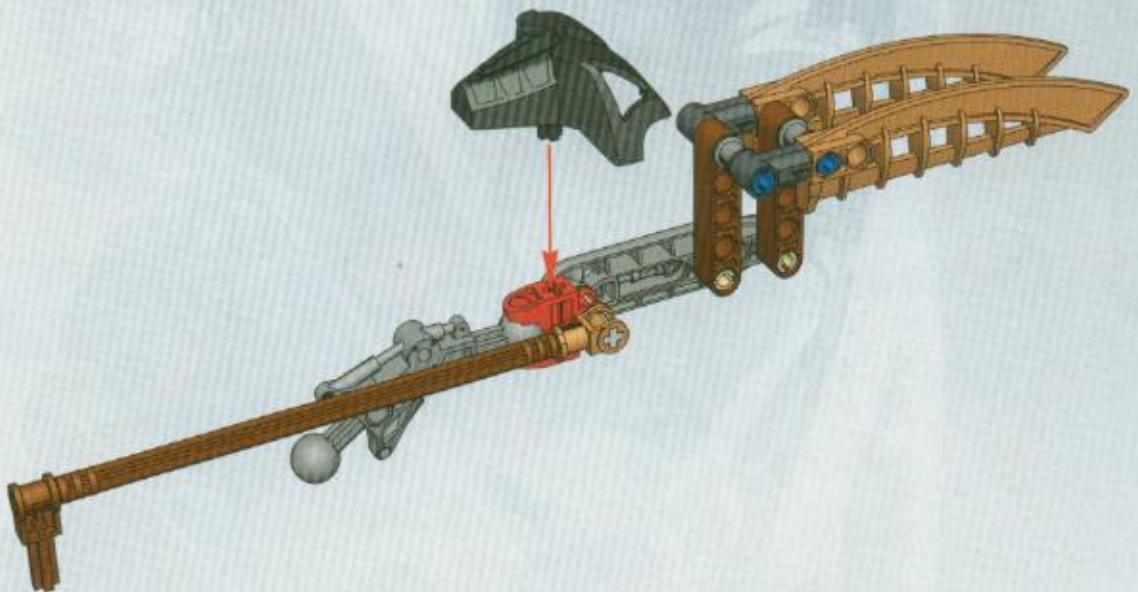




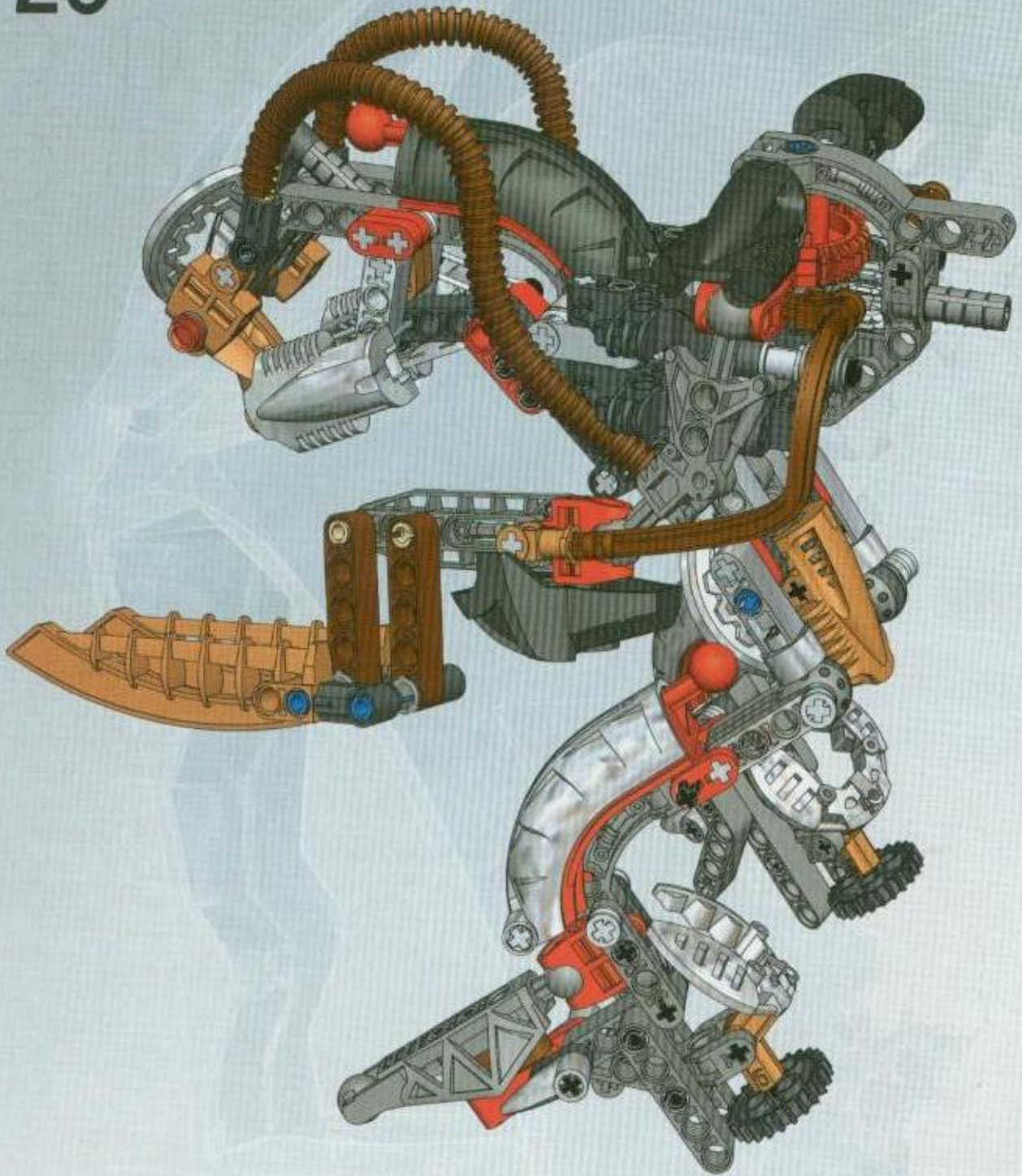
9

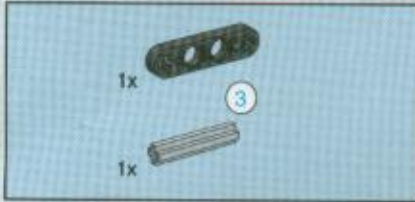
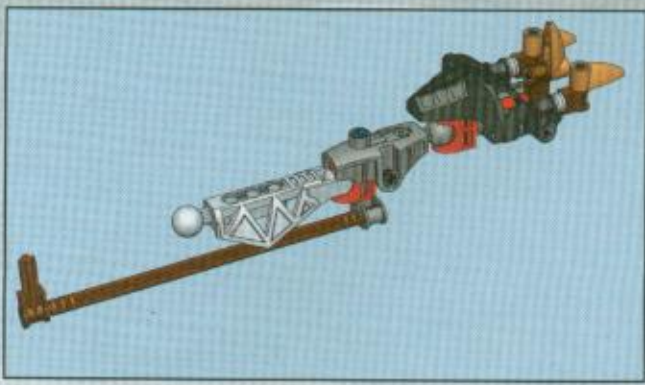


10



20





1



2

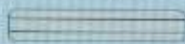


3





1x



3

1:1

4



1x

5

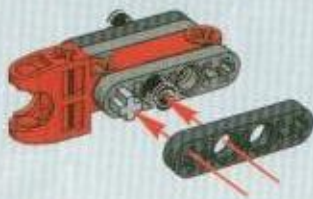


1x



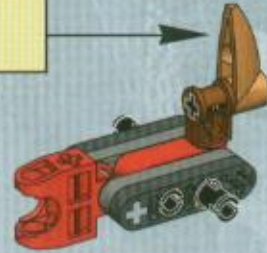
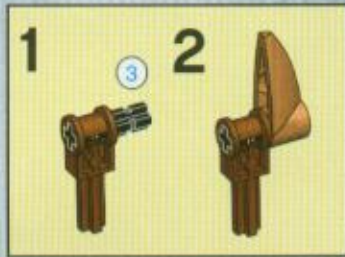
1x

6

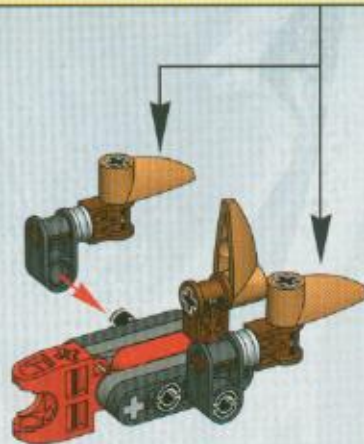


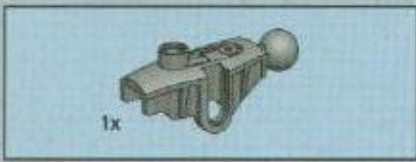


7

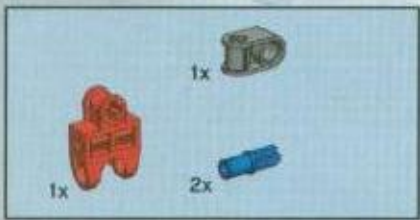
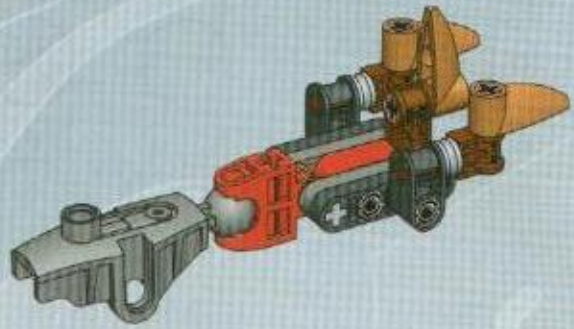


8

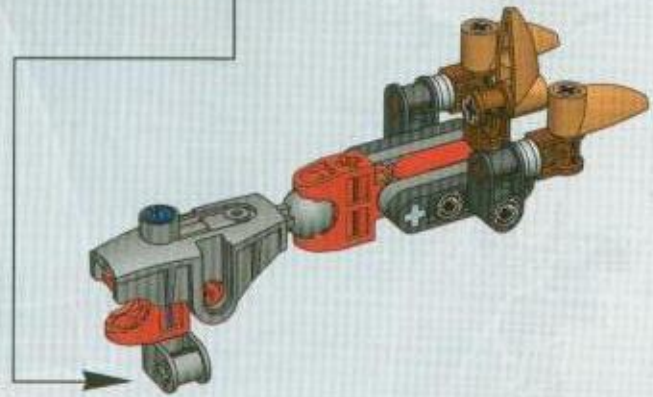
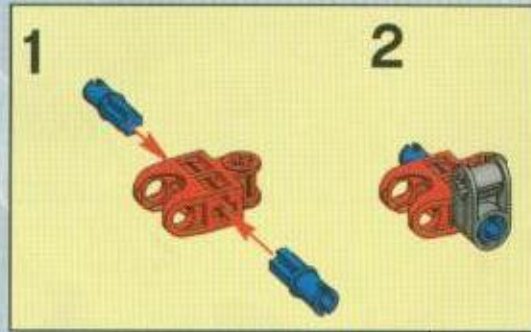


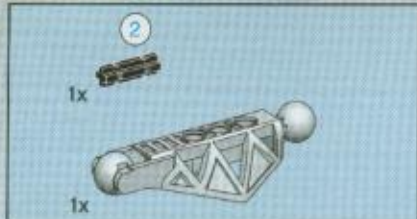


9



10

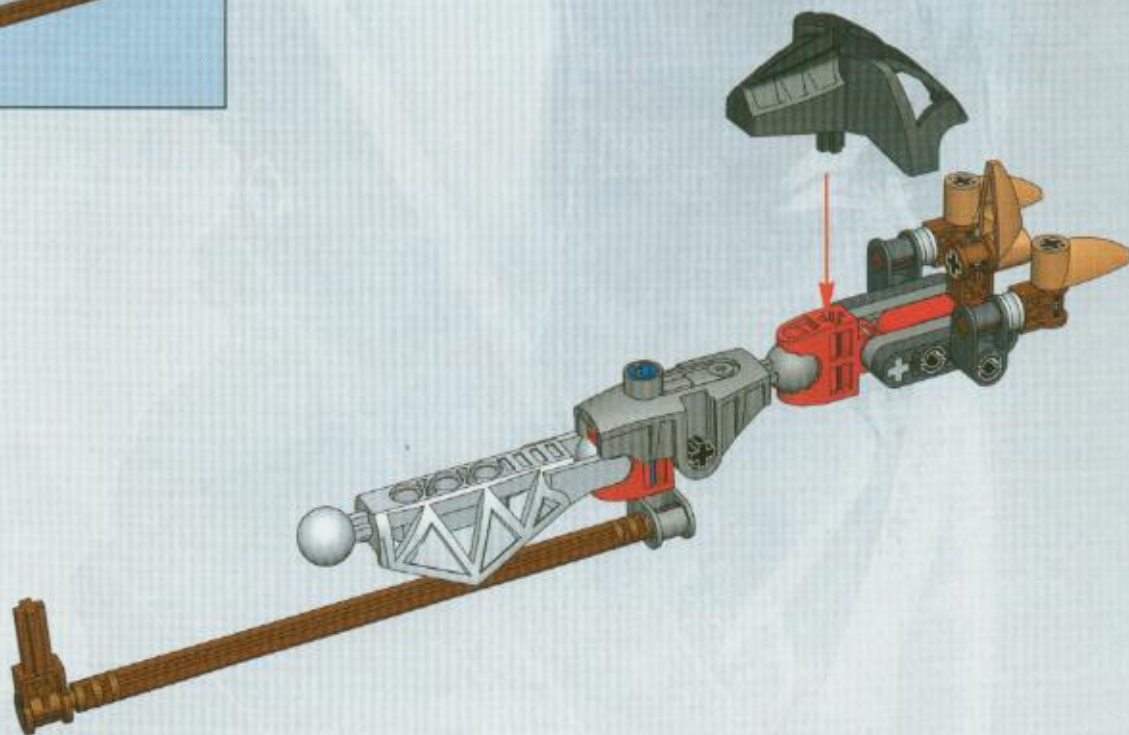




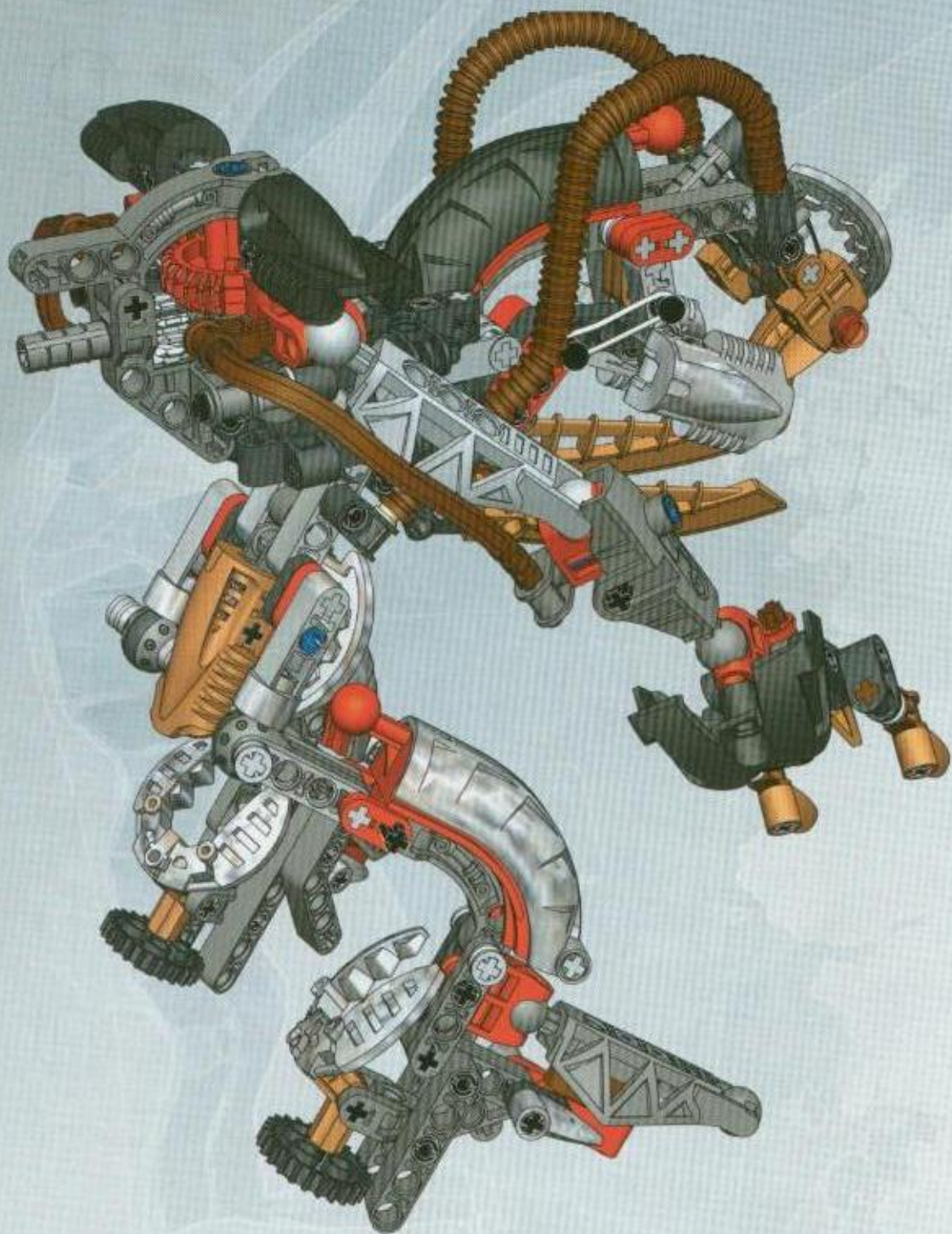
11



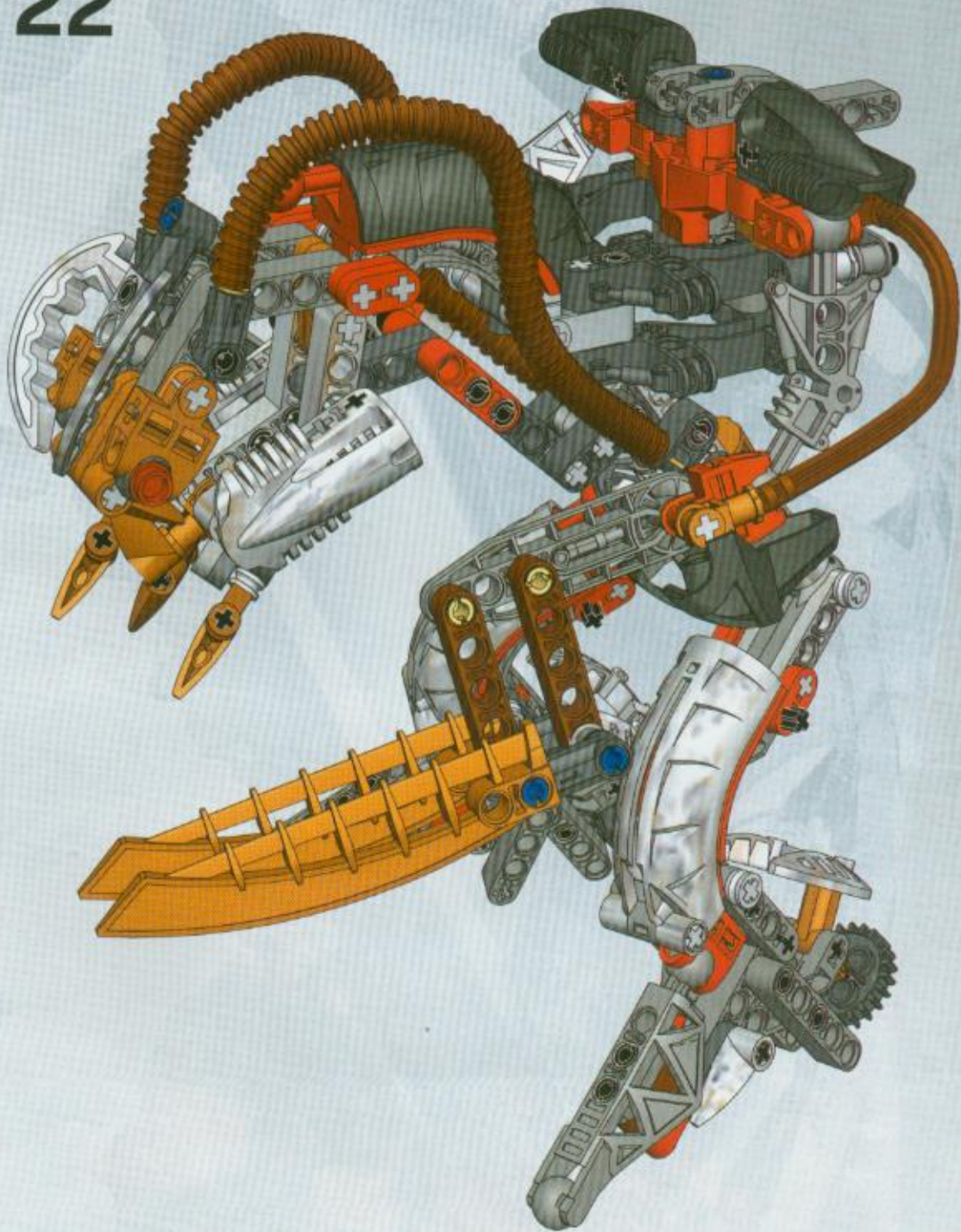
12



21



22





8594
Jaller &
Gukko



8593
Makuta



8596
Takanuva





8587 Panrahk



8588 Kurahk

RAHSHI



8589 Lerahk



8590 Guurahk



8591 Vorahk



8592 Turahk



KRAATA



BIONICLE™

THE MOVIE

MASK OF LIGHT

www.maskoflight.com



BIONICLE™

THE GAME



PlayStation 2

NINTENDO GAMECUBE

XBOX

PC CD-ROM
Requires a Pentium 4 processor

GAME BOY ADVANCE

4213597

"Bionicle" and the "Bionicle" logo are registered trademarks of LEGO Computer Entertainment, Inc. "TM" The Nintendo GameCube logo and Game Boy Advance are trademarks of Nintendo. © 2003 Nintendo. All rights reserved. All other marks are the property of their respective holders. All trademarks are the property of their respective owners.

©2003 The LEGO Group.