

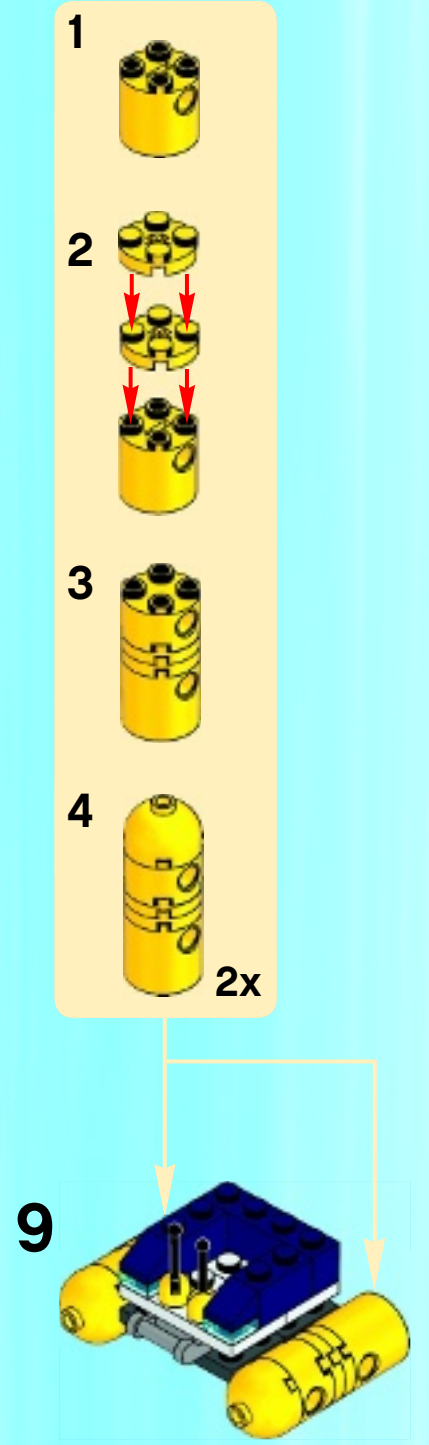
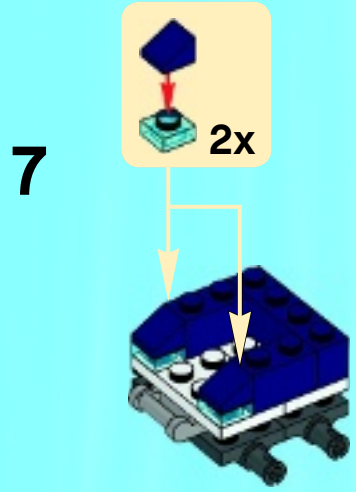
CITY

LEGO

30311

6109825

MIX
Paper from
responsible sources
FSC™ C117818
www.fsc.org





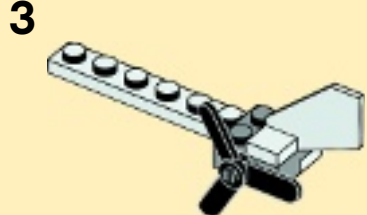
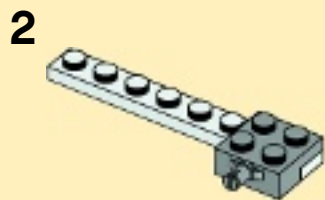
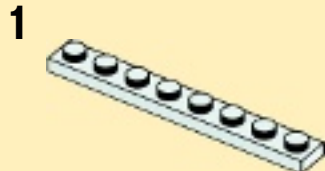
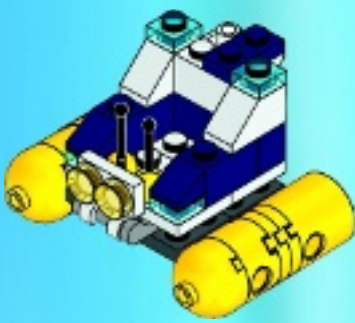
10



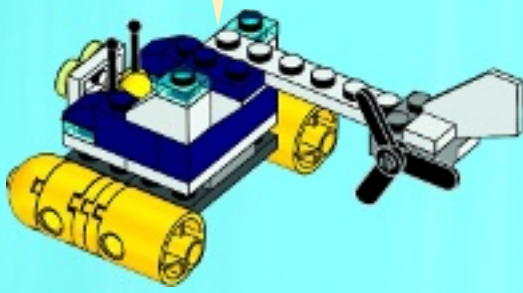
11



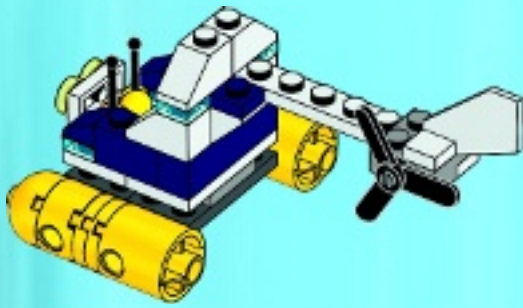
12



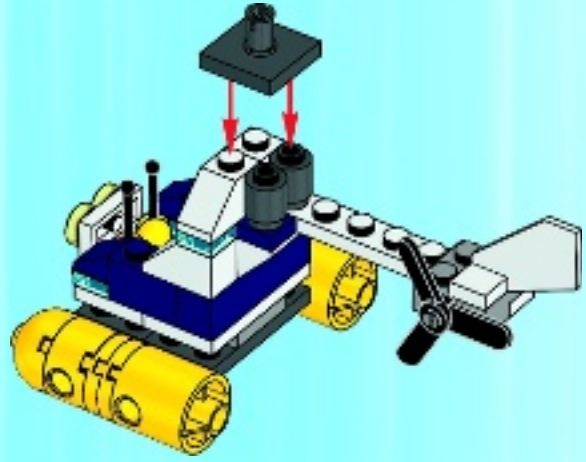
13



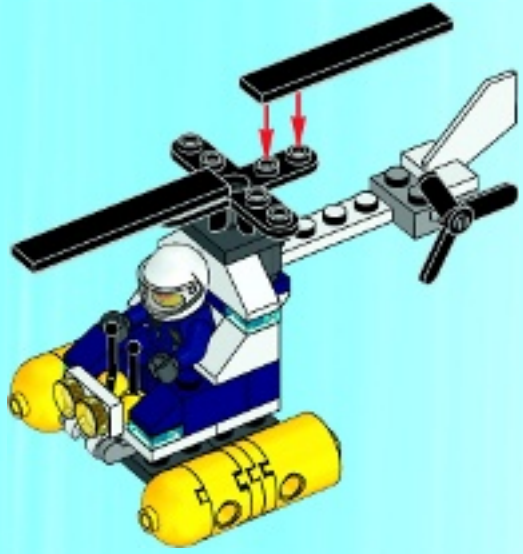
14



15



16



LEGO.com/club

LEGO club

LEGO.com/service

LEGO.com/city

LEGO and the LEGO logo are trademarks of the LEGO Group. ©2015 The LEGO Group. 6109825