



STAR WARS

75095



 Booklet available in English on:
 Heft in deutscher Sprache erhältlich auf:
 Livret disponible en français sur :
 Folleto disponible en español en:
 Folheto disponível em português em:
 A füzet magyarul ezen a honlapon olvasható:
 如需中文版手册, 请访问 LEGO.com/starwars

About the LEGO® Star Wars™ Design Team

LEGO® Star Wars started in 1999, and we have made new models for the product line every year since then. The LEGO Star Wars design team consists of eight model designers and four graphic designers. The team is a mix of brand-new designers with fresh ideas, and experienced LEGO Star Wars designers with many models under their belts.

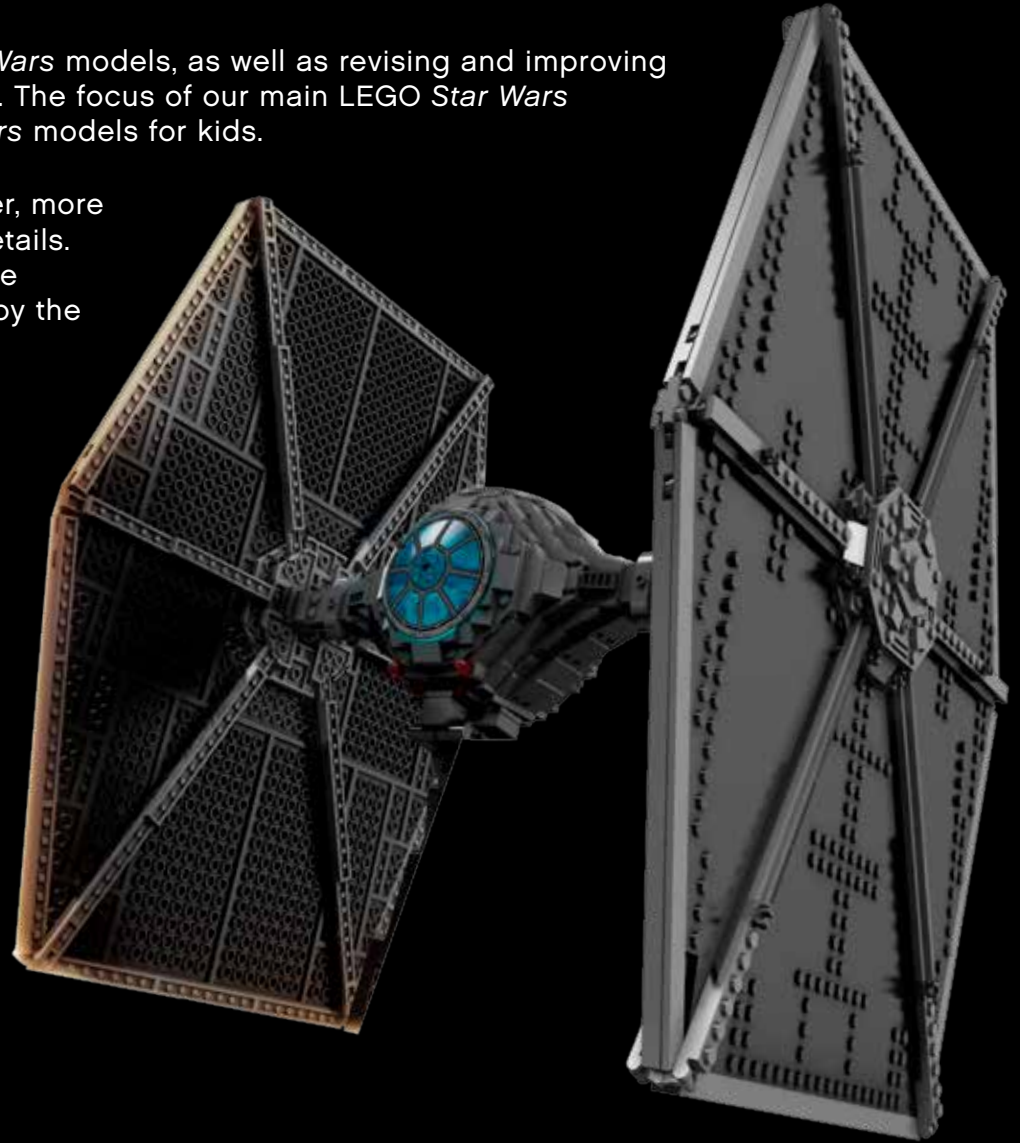
This is an ideal team for creating new, innovative LEGO Star Wars models, as well as revising and improving previous LEGO versions of classic and iconic Star Wars ships. The focus of our main LEGO Star Wars product line is to make cool, fun, and inspiring LEGO Star Wars models for kids.

For LEGO Direct we have the opportunity to make even bigger, more challenging models with special attention to accuracy and details. These models are fun and exciting to develop, but also a huge challenge! We always do our very best, and hope you will enjoy the building experience.

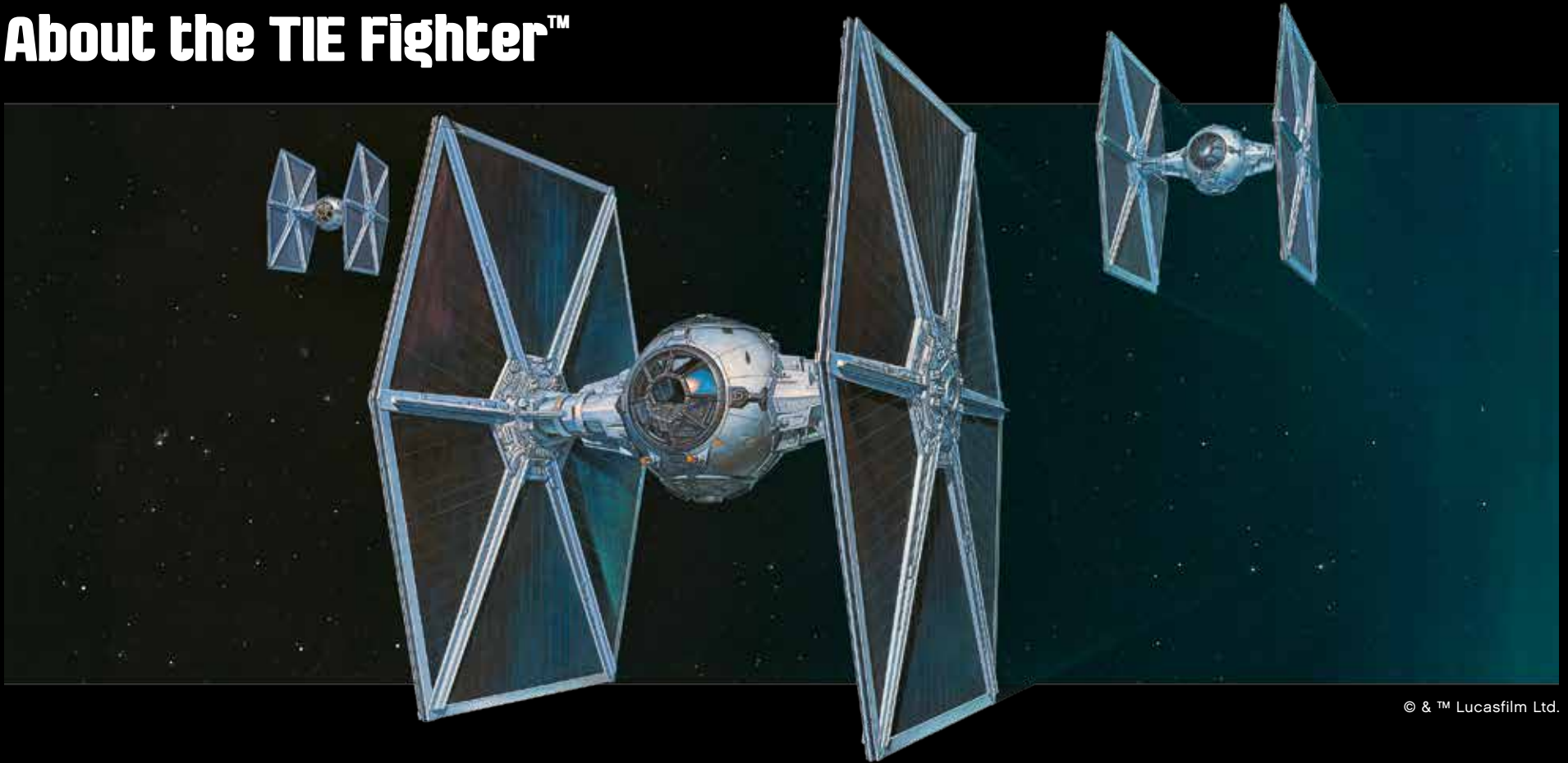
Happy building!



Jens Kronvold Frederiksen
Design Director
LEGO Star Wars



About the TIE Fighter™



© & ™ Lucasfilm Ltd.

TIE Fighters, or Twin Ion Engine Fighters, are the Galactic Empire's first line of defence, and were often deployed by the thousands. These easily manufactured and compact starfighters were often used to overwhelm Rebel forces through sheer numbers. The Galactic Empire's standard attack squadrons each have twelve TIE Fighters, and full attack regiments are made up of six squadrons. The TIE Fighter is so widely used that many consider it a symbol of the Galactic Empire.

Although the TIE Fighter has one of the most detailed propulsion systems, it lacks combat shields, hyperdrive, and life-support systems to reduce the mass of the TIE Fighter and increase manoeuvrability. Its primary weapon was a pair of L-s1 laser cannons that were powerful despite the TIE Fighter's small size. The vehicle could be modified to hold larger weapons and larger cannons; in addition, missile tubes could be added onto the TIE Fighter. Because these fighters do not have hyperdrive or even a landing gear, they are completely dependent on carrier ships when deployed near enemies.

The Galactic Empire considers the TIE Fighters to be expendable assets, and other Imperial pilots often view TIE Fighter pilots as suicidal, considering how many TIE Fighters are destroyed in combat. In a similar fashion to Stormtroopers, TIE Fighter pilots have their own identification numbers, which further reinforces the idea that they are anonymous operatives of the Imperial military and that they themselves, like the TIE Fighters, are expendable assets.

The front section of the TIE Fighter is compact to make it difficult to hit with blasters. The side panels are wide

targets for flanking enemy pilots; they also make it difficult to manoeuvre while in the atmosphere. Because TIE Fighters are easy to pilot and indistinguishable from each other, captured TIE Fighters are sometimes used by Rebel forces to infiltrate Imperial ranks.

With thousands at its disposal, the Imperial military continues to rely on TIE Fighters as a valuable weapon and tool when in combat against the Rebel Alliance.



Meet the Model Designer

Olav Krøigaard

Q: How long have you been a LEGO® *Star Wars* model designer?

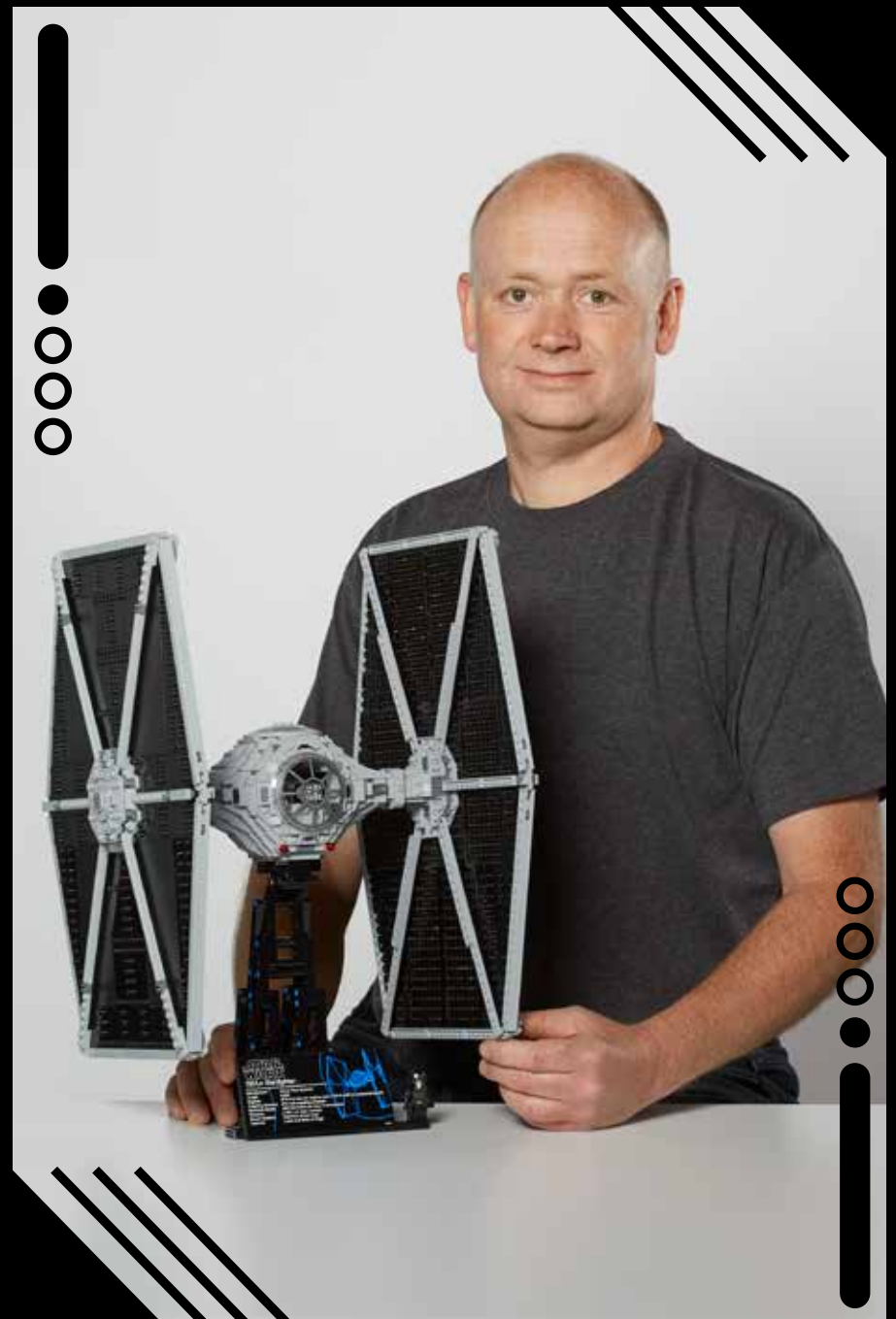
A: I started in September 1987 as a LEGO Technic designer. After 12 years I changed to LEGO System and designed LEGO Sports, CREATOR, Batman, Spider-Man and other LEGO licensed lines. During my time as a designer on the other lines, I was already very interested in becoming a LEGO *Star Wars* designer. I have now been a *Star Wars* designer for 9 years, and during that time I have taken part in different fairs/events including LEGO World, *Star Wars* days in LEGOLAND®, and LEGO Inside Tour. It's a great opportunity to meet all kinds of LEGO *Star Wars* fans.

Q: How was designing the TIE Fighter different from your work on other LEGO *Star Wars* models?

A: One of the significant differences in designing the TIE Fighter from other LEGO *Star Wars* models is the fix point of the wings, as this is a new and special way to lock the heavy wings. I hope fans will enjoy the secret way to build this part because it has never been seen before.

Q: The TIE Fighter is a unique and iconic vehicle from the *Star Wars* universe. How did you begin designing the signature shape, and how did you ensure the set would hold together?

A: I think the most challenging thing was to construct the inside of the model, and it was very difficult to make it stable without using Technic elements. So in order to overcome the stability issue I had to use octagon-shaped plates. Besides



Model Designer Olav Krøigaard

that, making the wings and fixing the angles so it has the iconic six-shaped angle were also tough. The wings have special elements as these are made of solar panels.

Q: How did you integrate the opening cockpit function into the set?

A: As the TIE Fighter is very iconic I have to stay true to the shape of the model, and in order to do that I used the parabolic element as a hatch.

Q: How did you plan the design for the TIE Fighter? Did you use artist sketches or film stills to inspire your creation of the model?

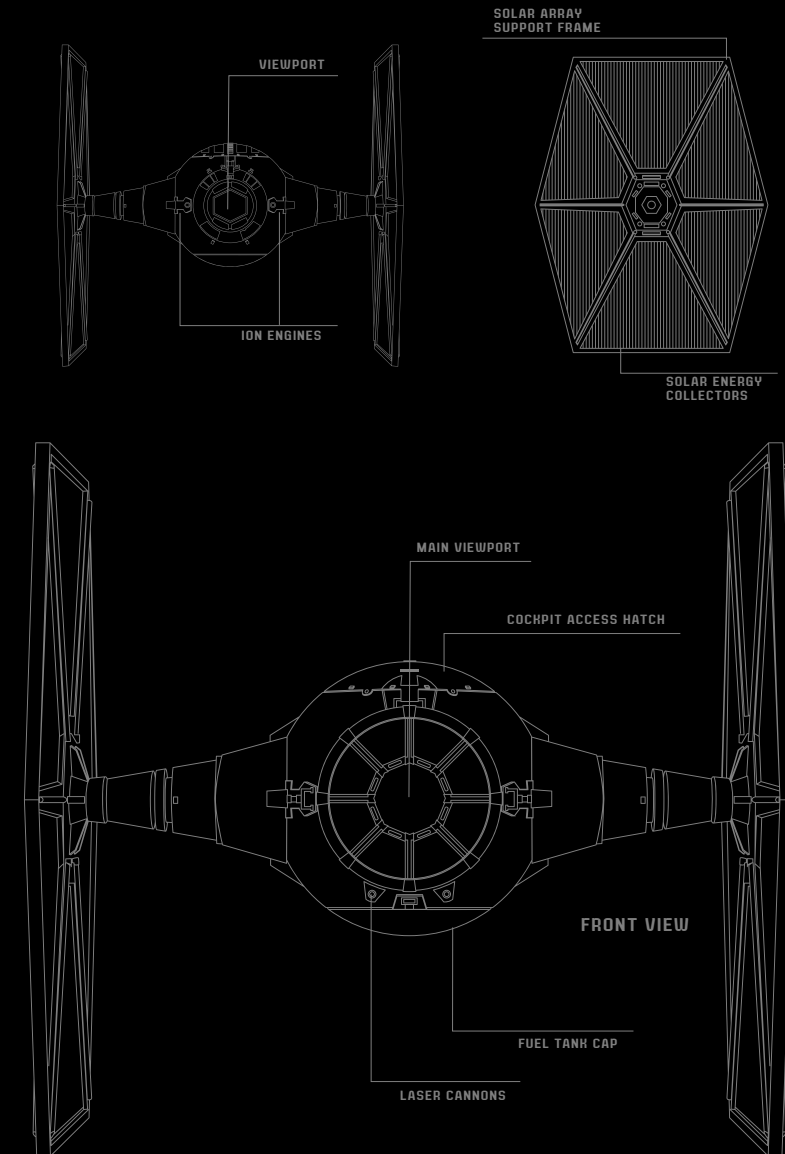
A: Designing the TIE Fighter I used both pictures and sketches as well as the movie in order to catch the right size, proportion, and the details. I built the model several times in different ways, comparing it to my references until I got it right. We also reviewed the model each week with the design team, as well as sparring with each other all the way through the design process.

Q: Is there a specific feature of the TIE Fighter set that you like best?

A: One of the specific features that I like best is the stand, as it allows you to display the model from all sides. I also like the cockpit glass as it fits perfectly to the model. The minifigure included in the set is a great collectable item with unique decorations. But in general there are so many features that I like very much.

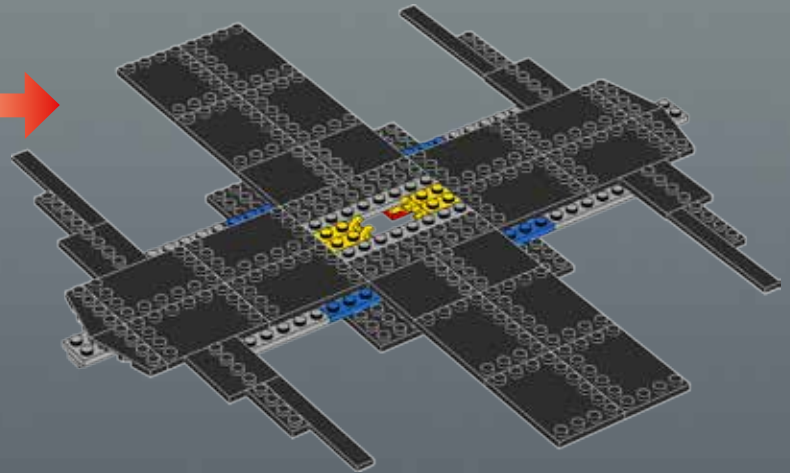
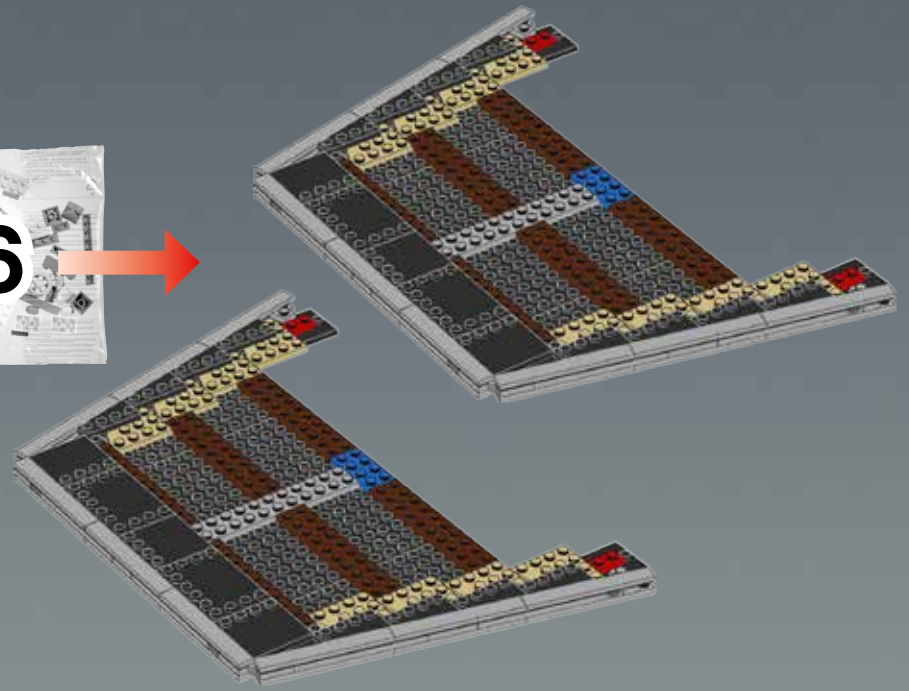
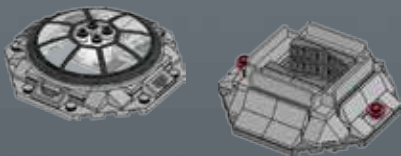
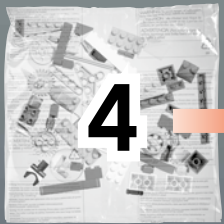
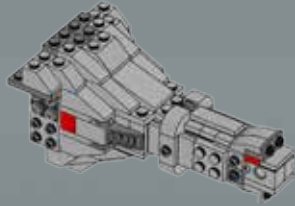
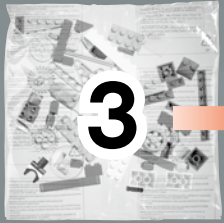
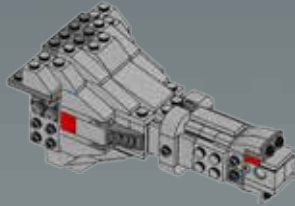
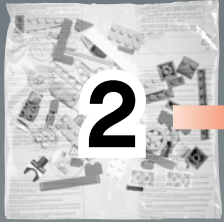
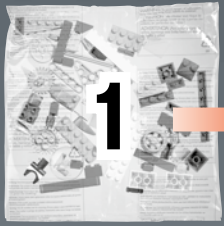
Q: There have been several TIE Fighter LEGO® sets in the past. What sets this one apart?

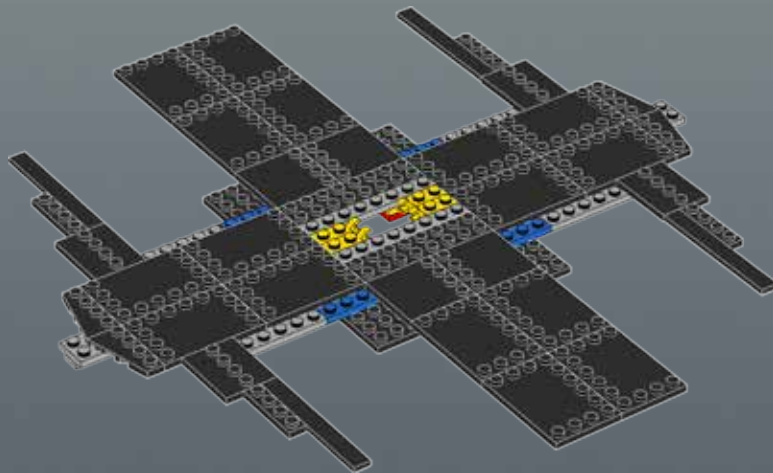
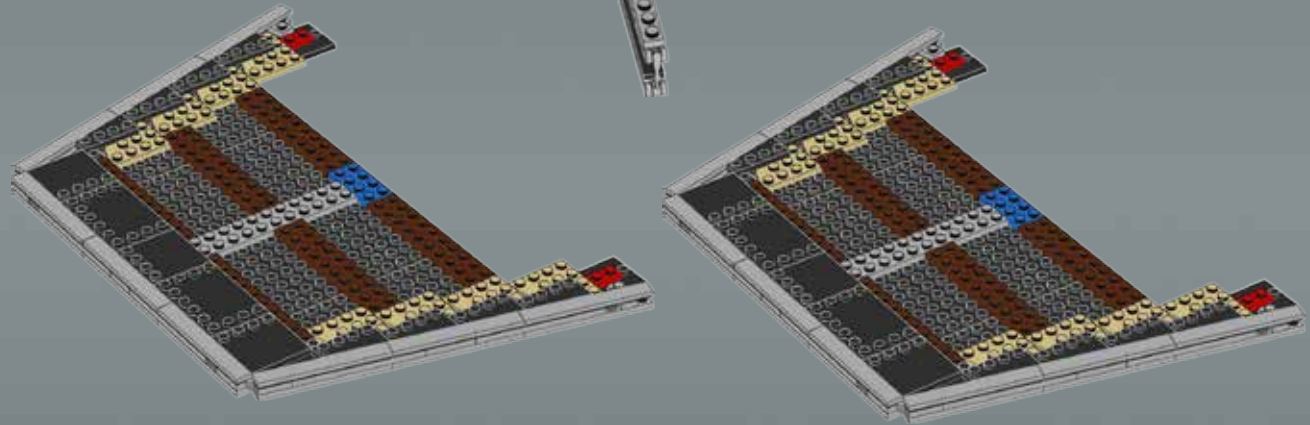
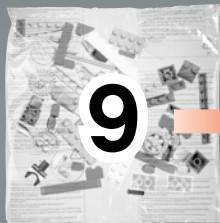
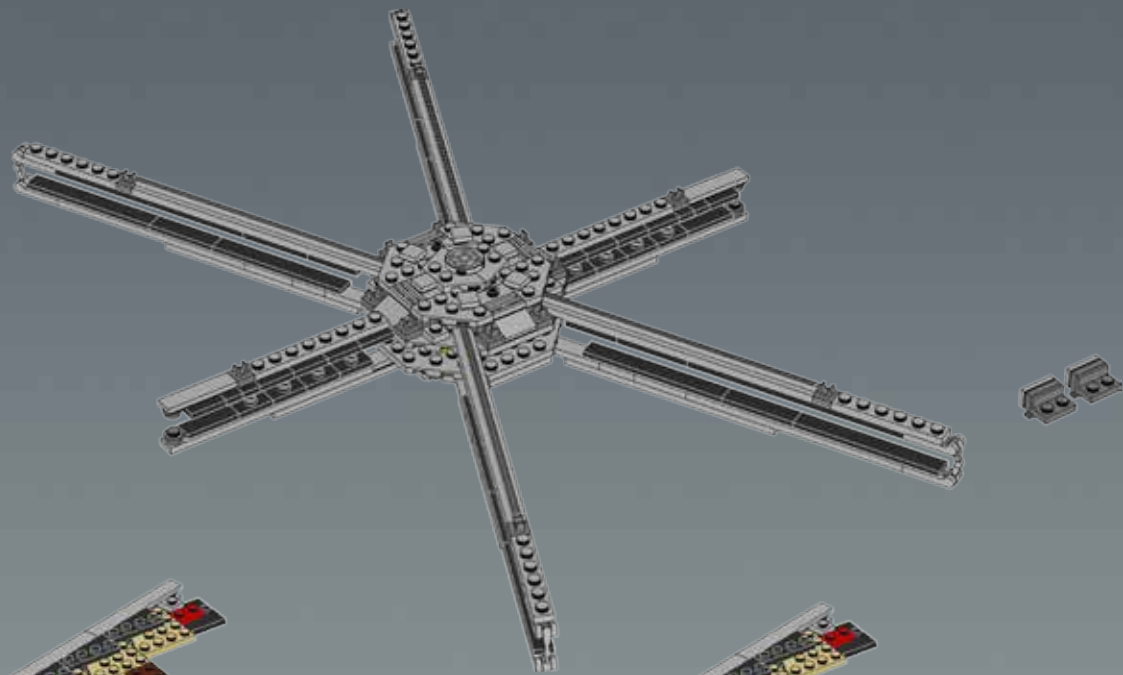
A: The way that it has been built and the size of it is tremendous. Also, the level of detail is unique to this set. Besides that, it has the display stand with all the specifications of the vehicle from the movie, on a plaque.

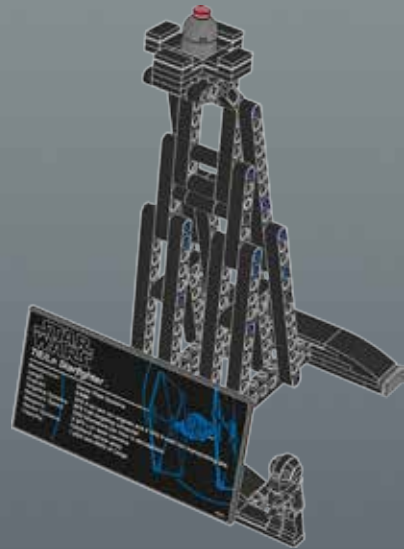
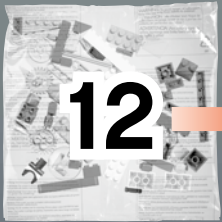
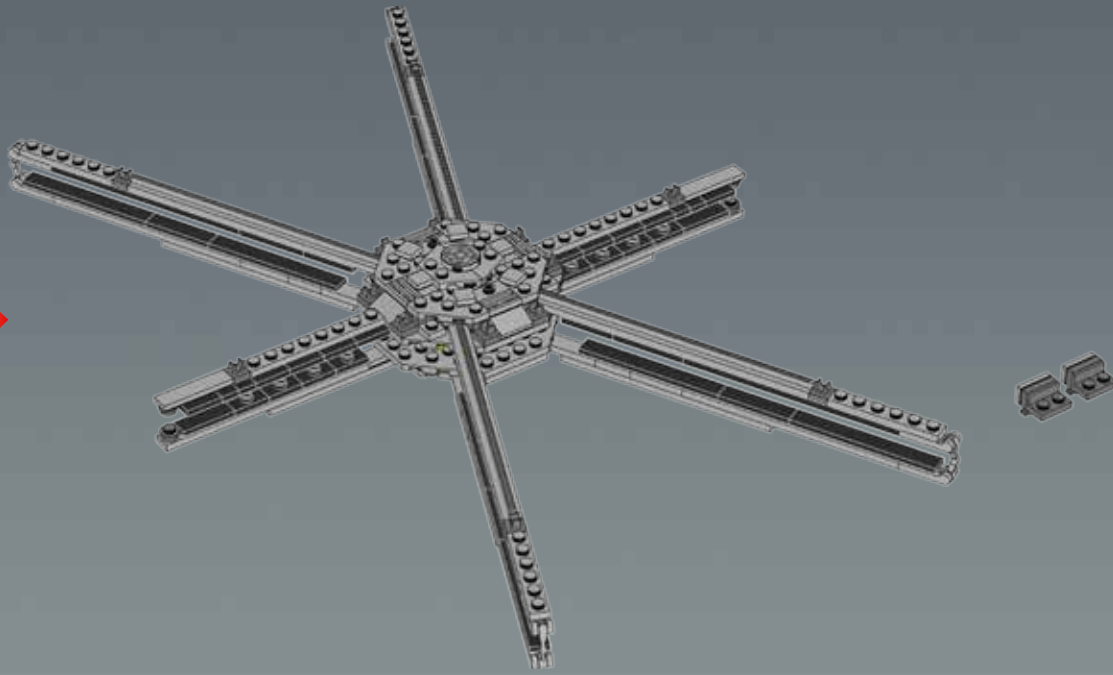




LEGO.com/brickseparator

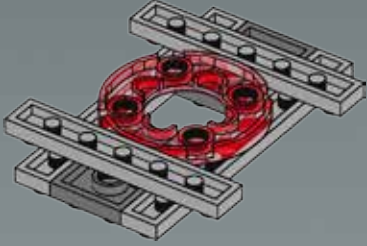




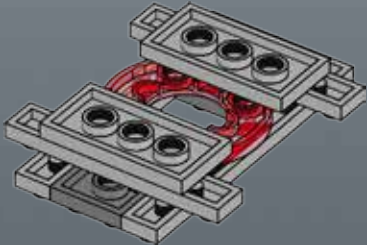




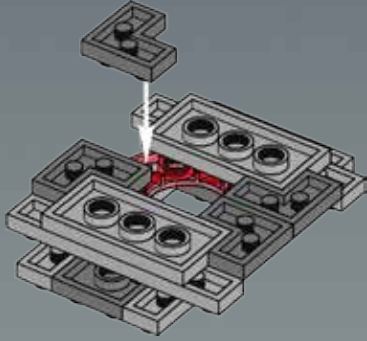
4



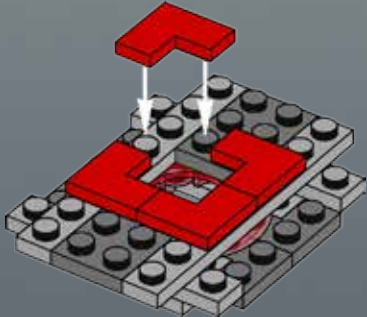
5



6

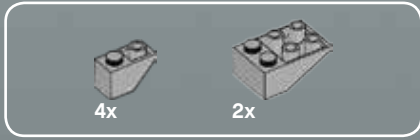
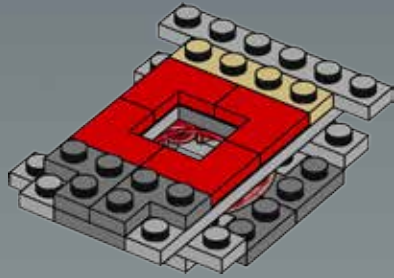


7

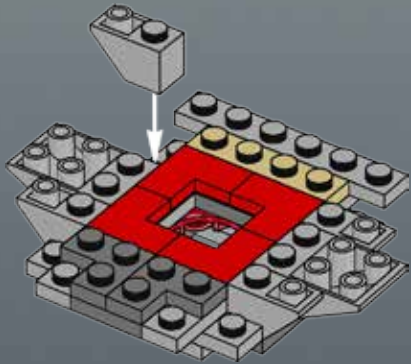




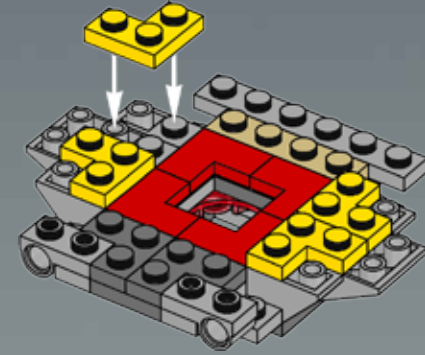
8



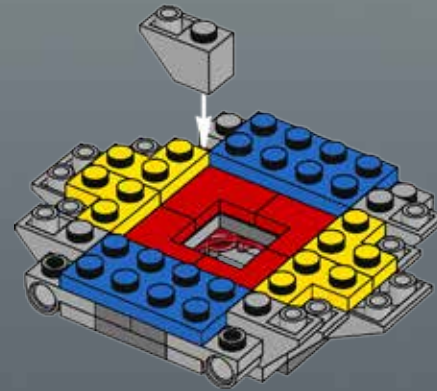
9

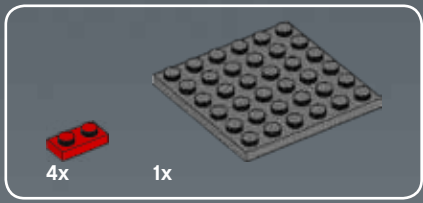


10

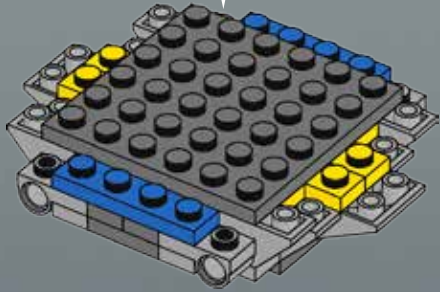
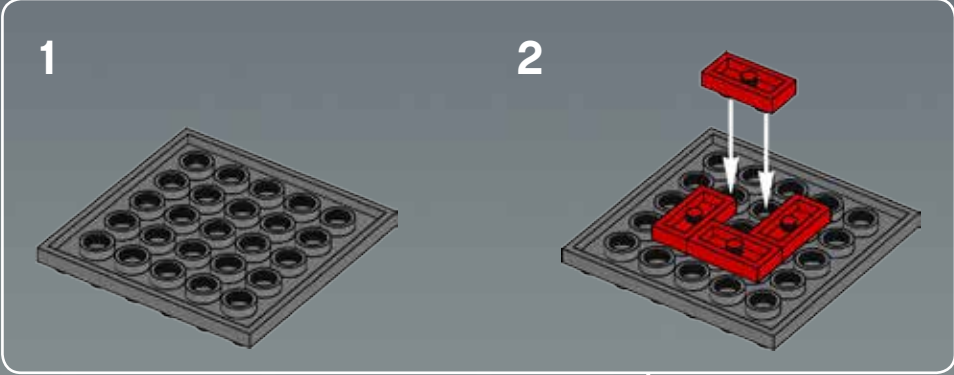


11



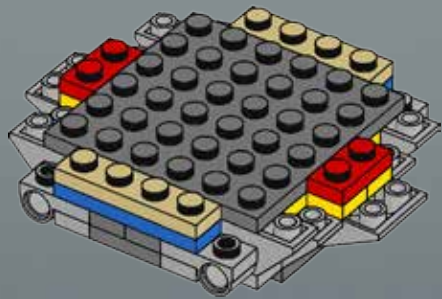


12

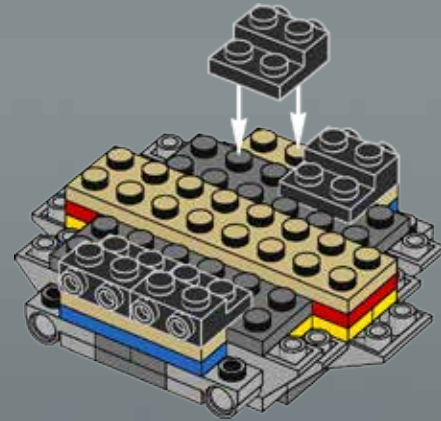


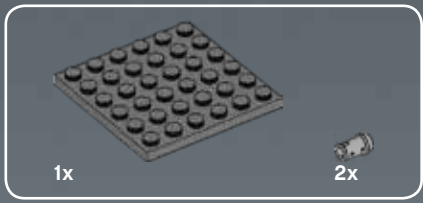


13

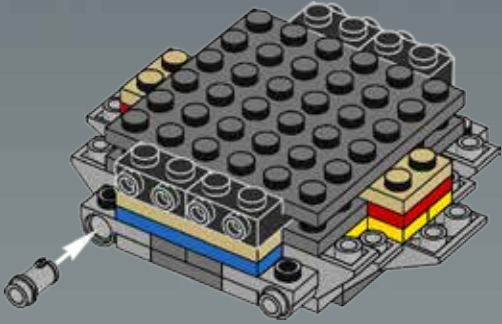


14

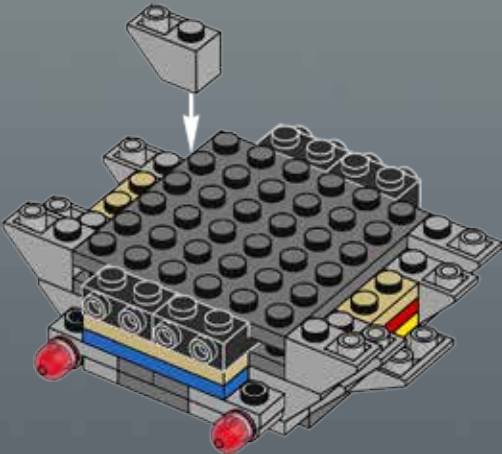




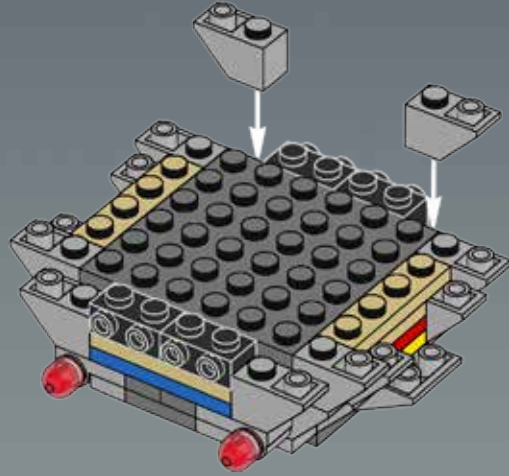
15



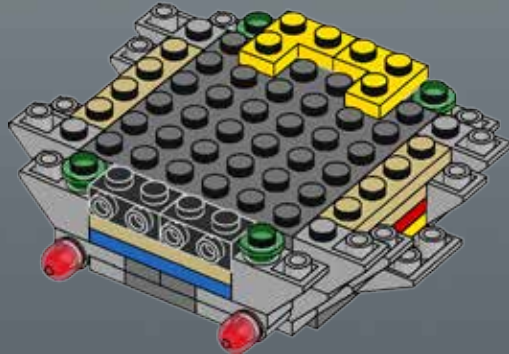
16

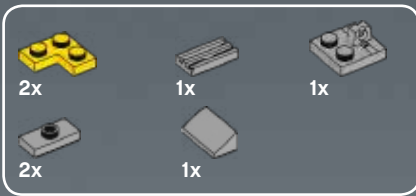


17

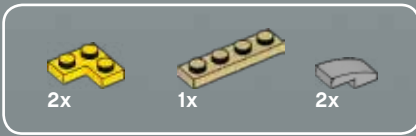
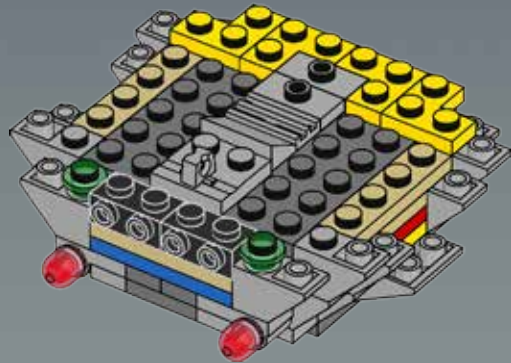


18

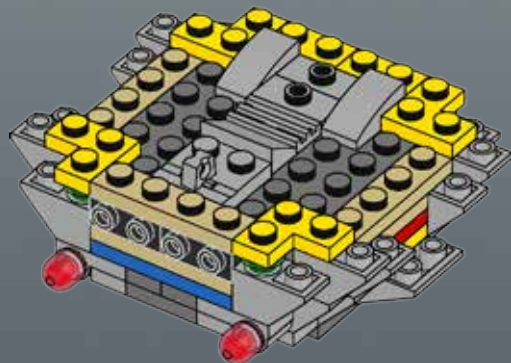




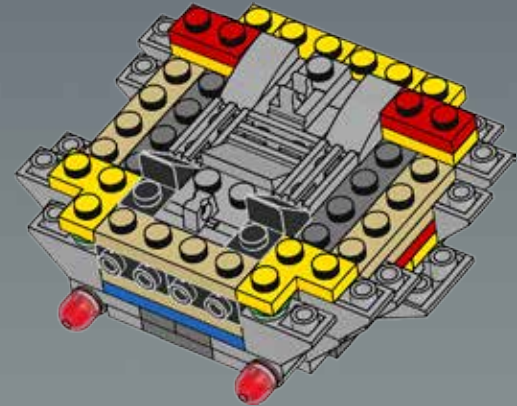
19



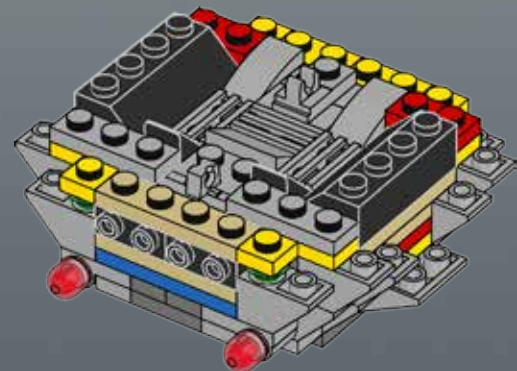
20

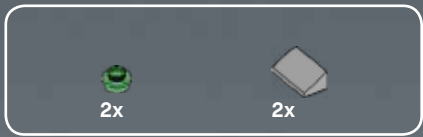


21

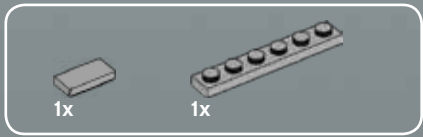
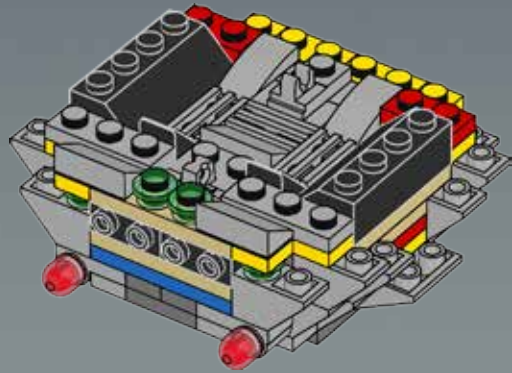


22

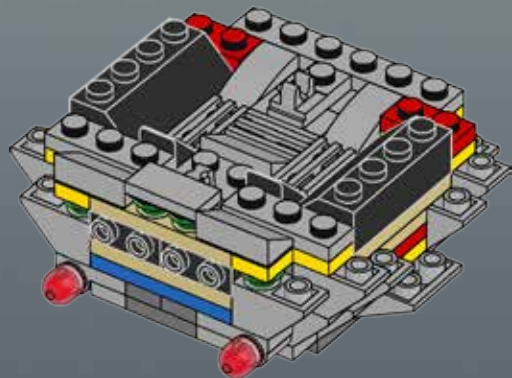




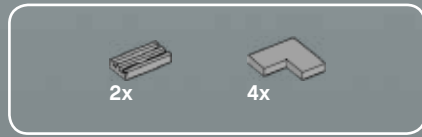
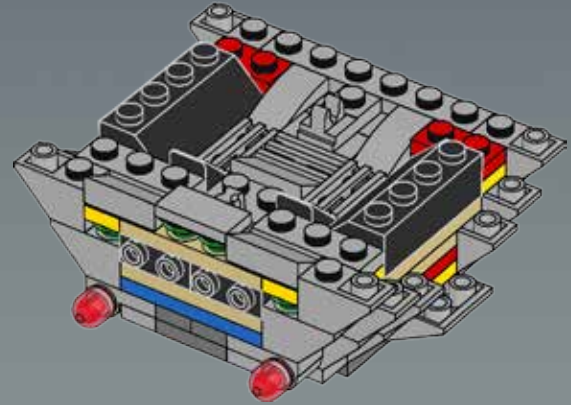
23



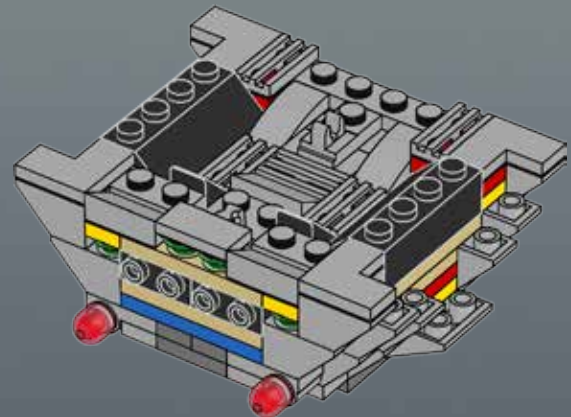
24



25



26





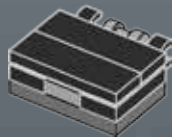
1



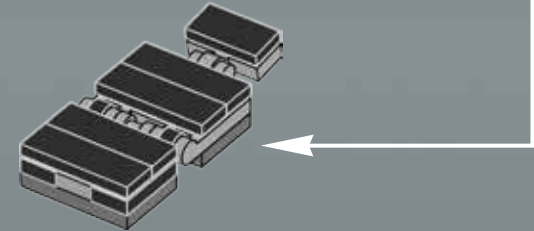
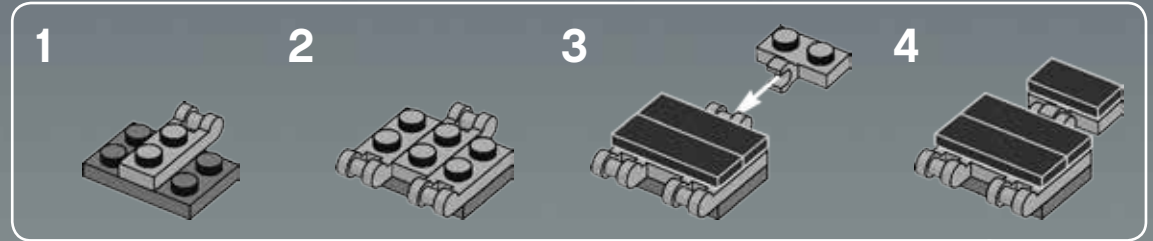
2



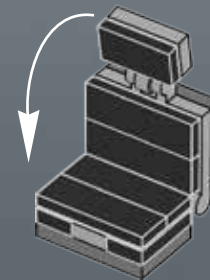
3



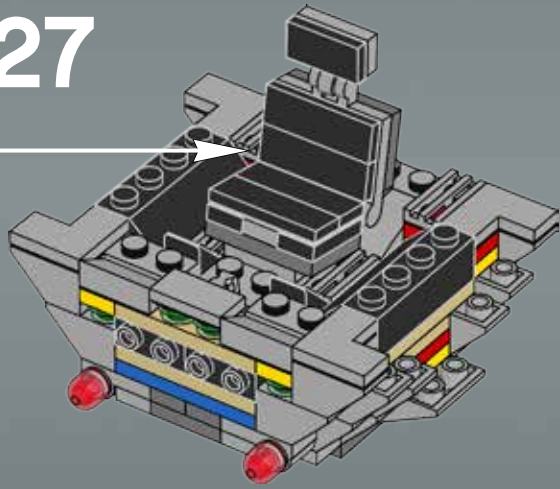
4



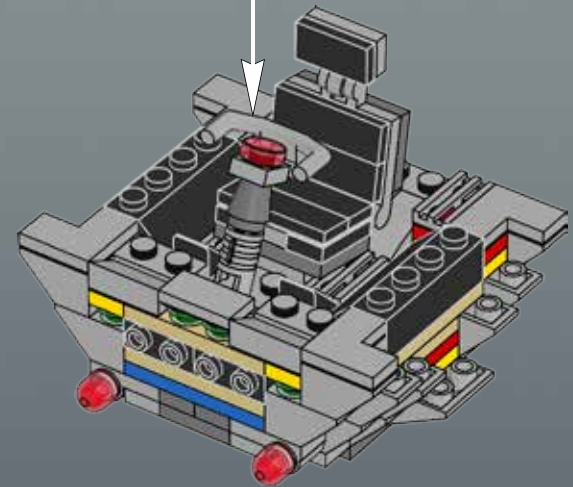
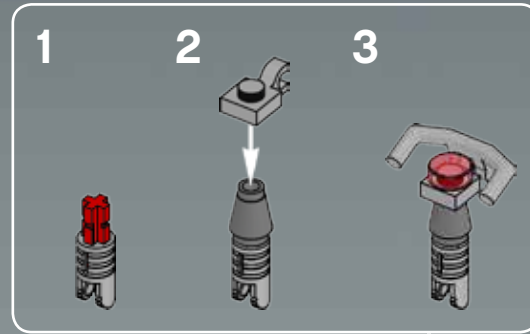
5

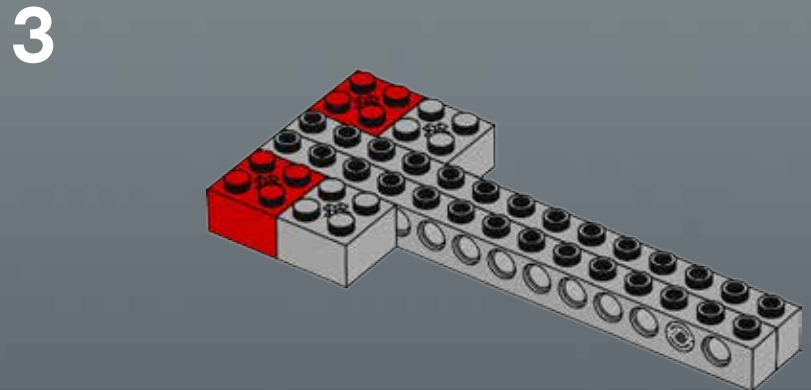
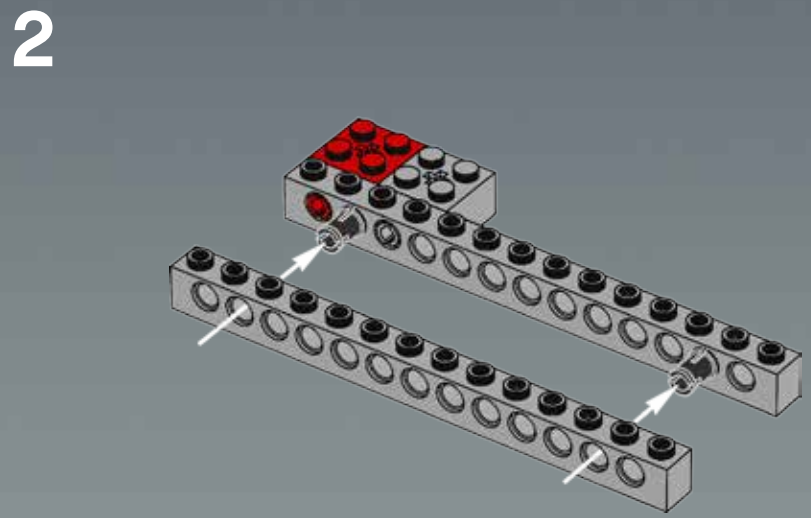
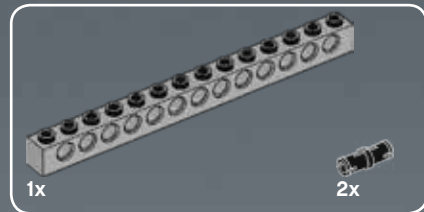
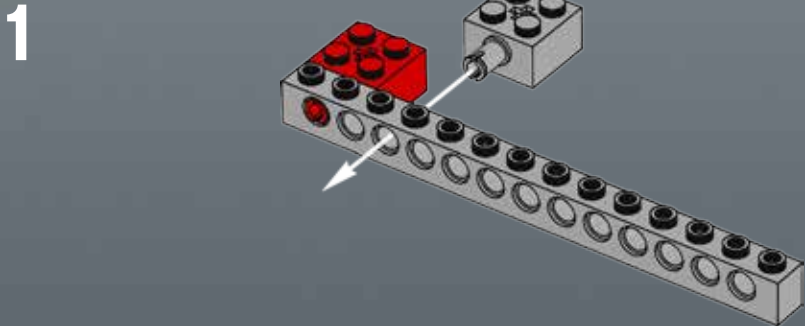
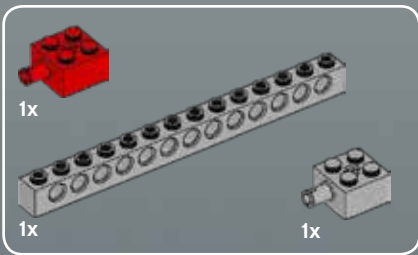
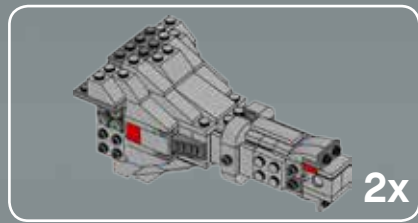
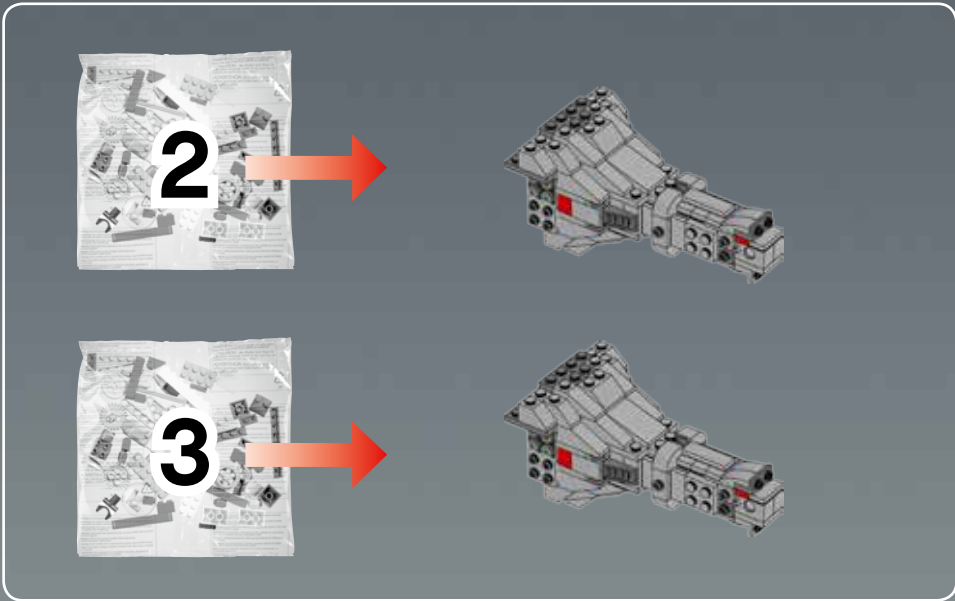


27



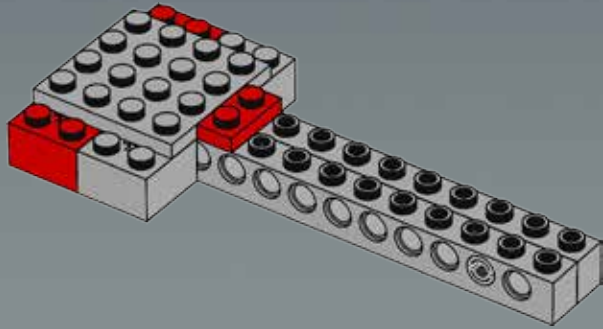
28



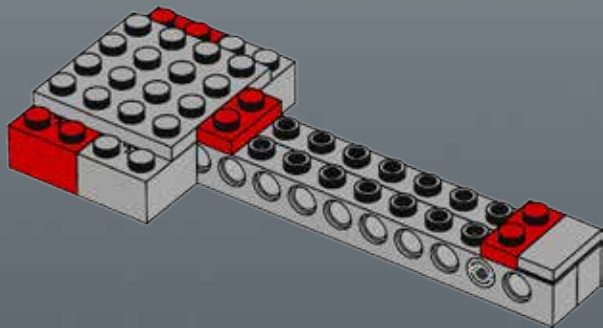




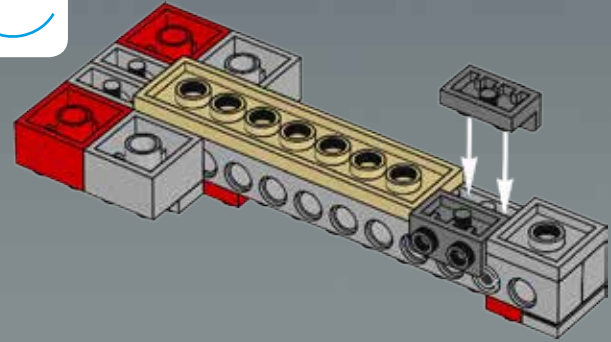
4



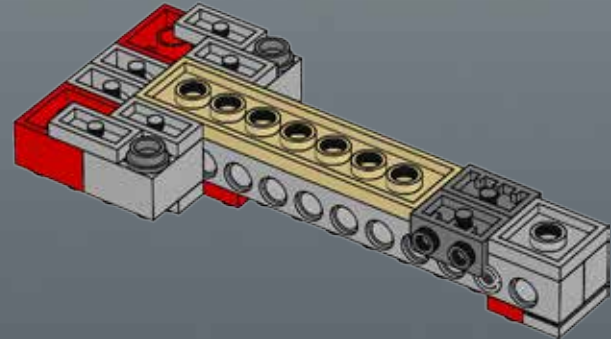
5



6

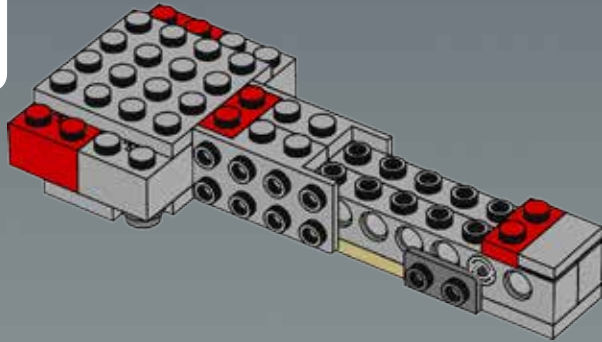


7

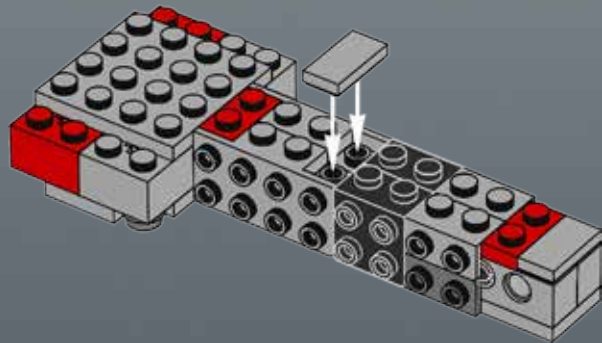




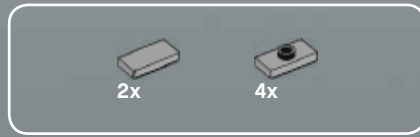
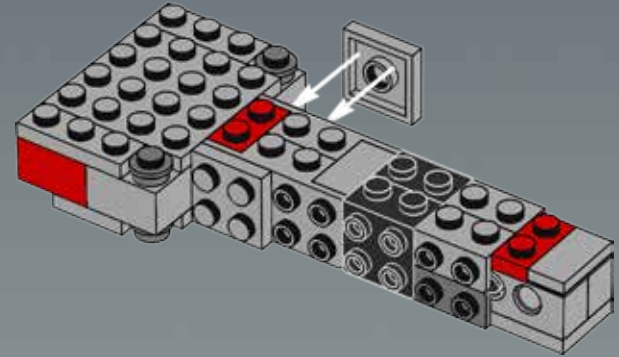
8



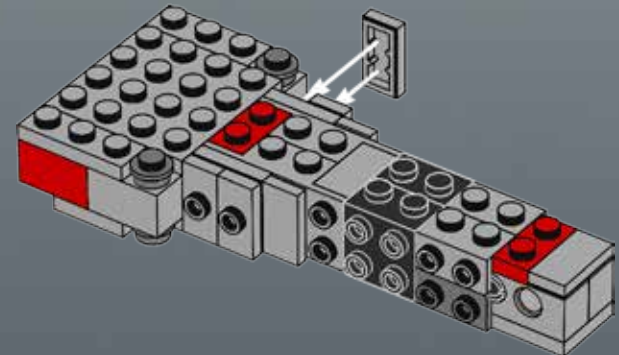
9



10

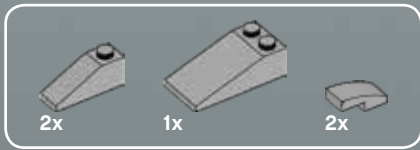
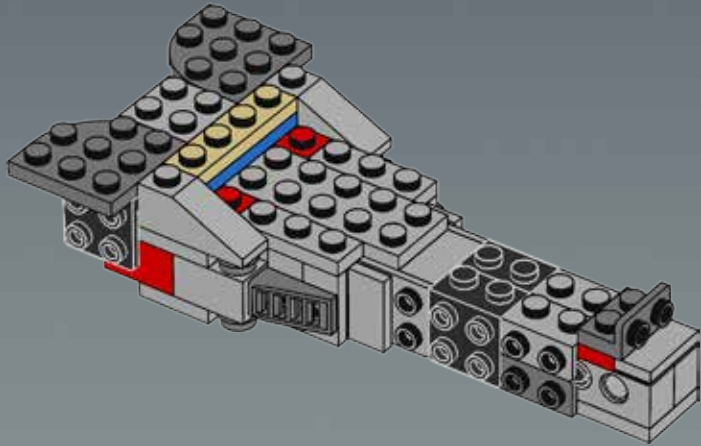


11

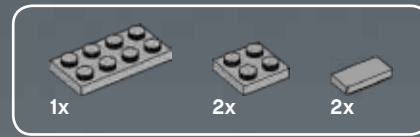
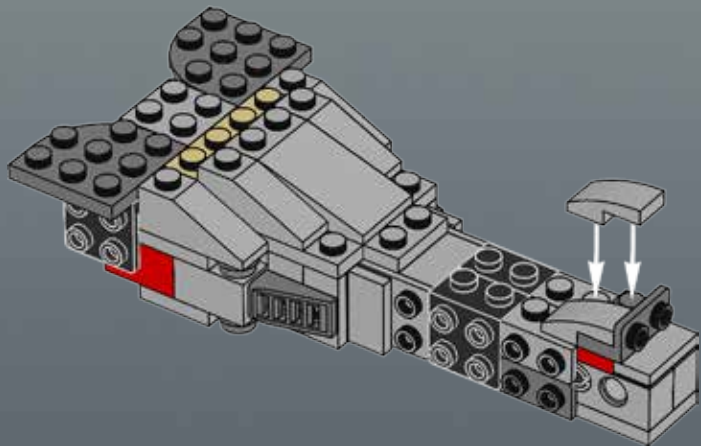




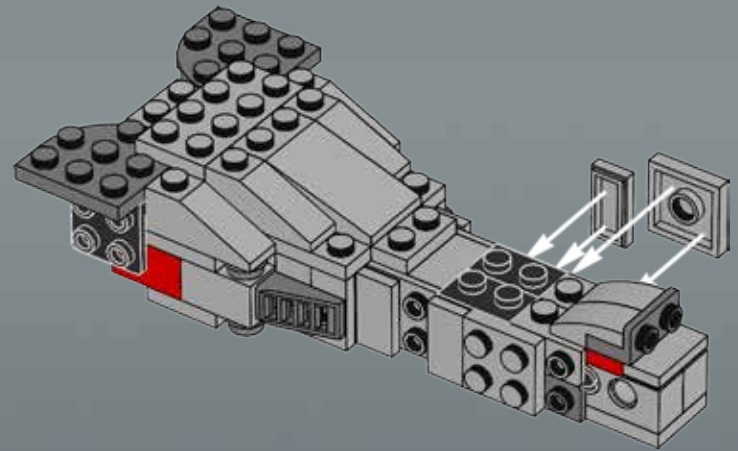
16

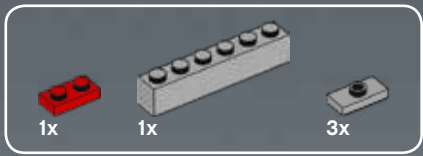


17

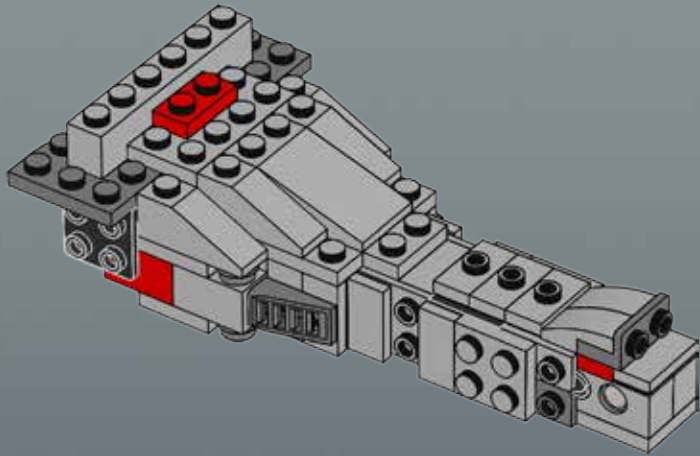


18

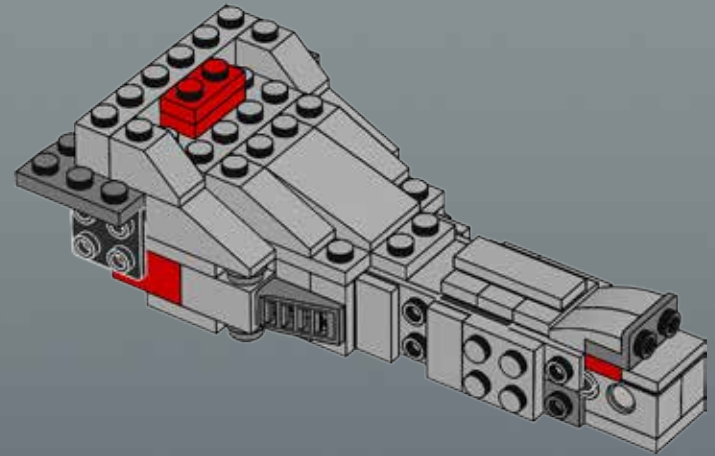




19

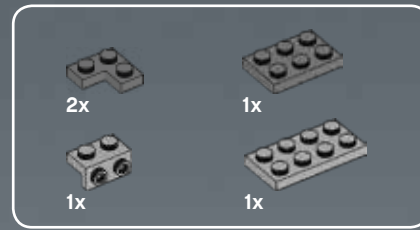
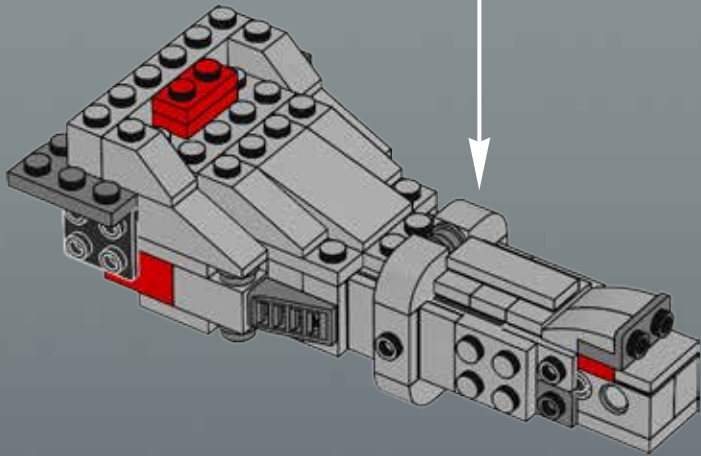
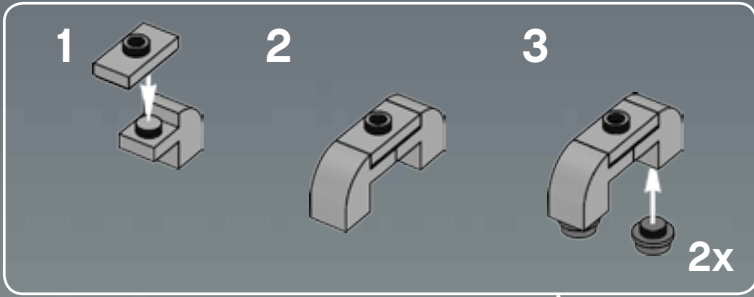


20

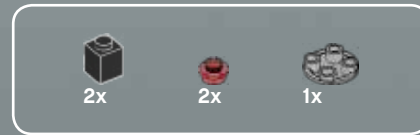
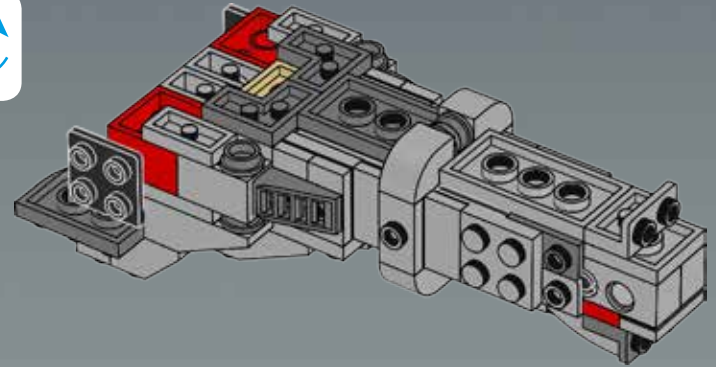




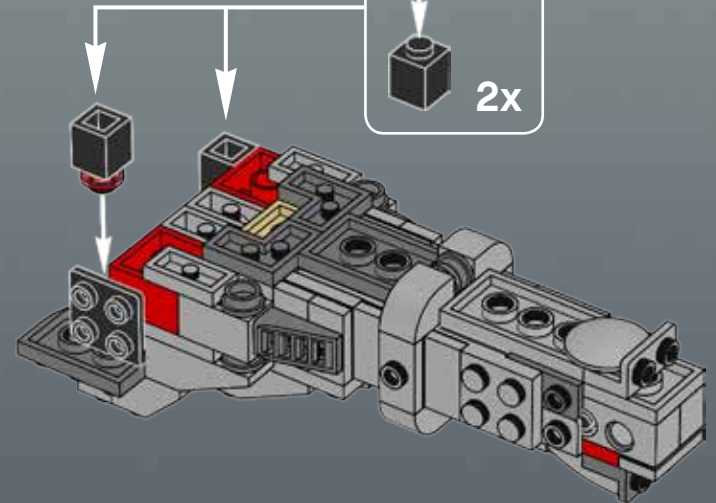
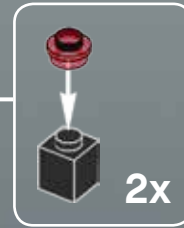
21

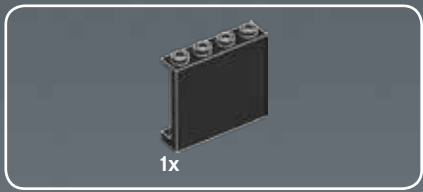


22

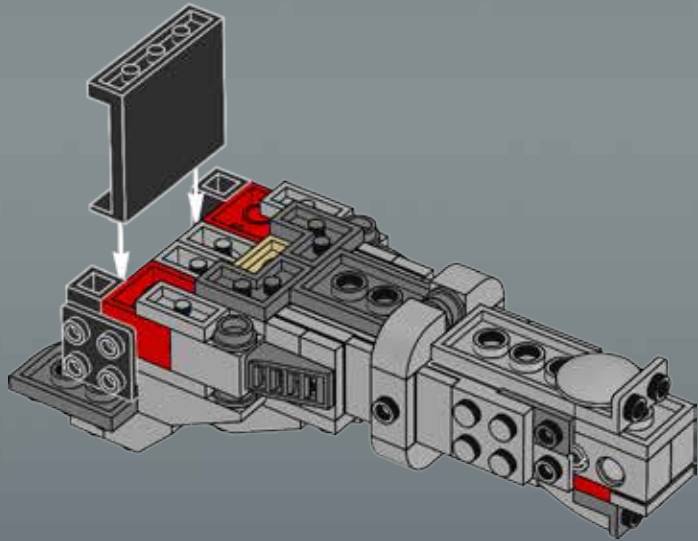


23

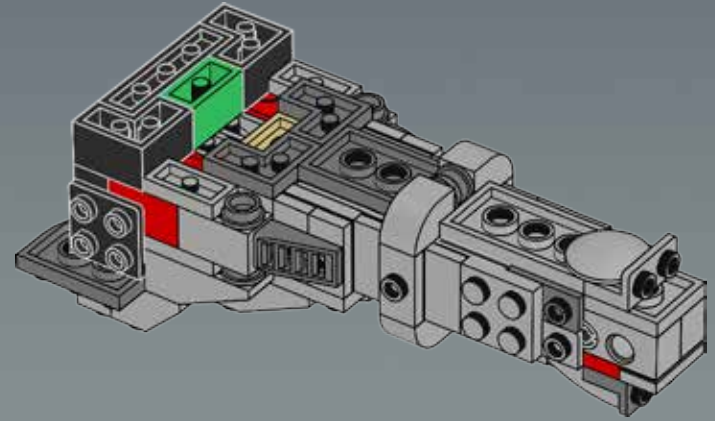




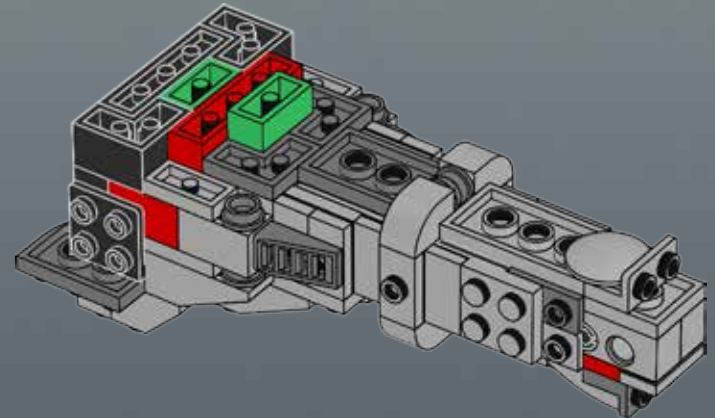
24



25

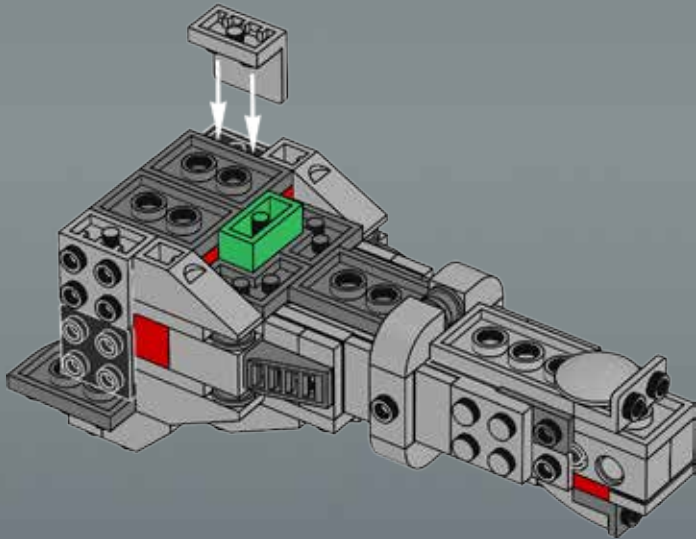


26

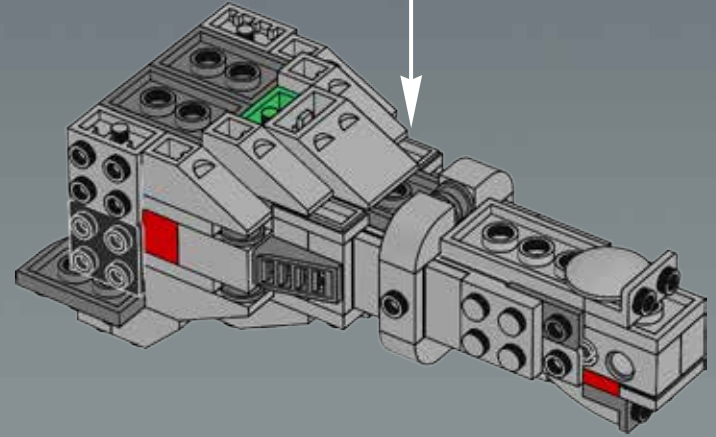
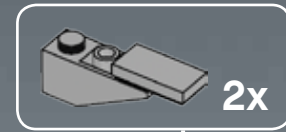




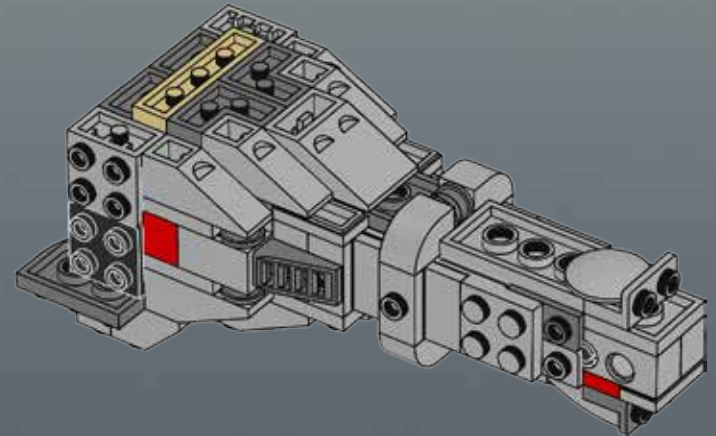
27



28

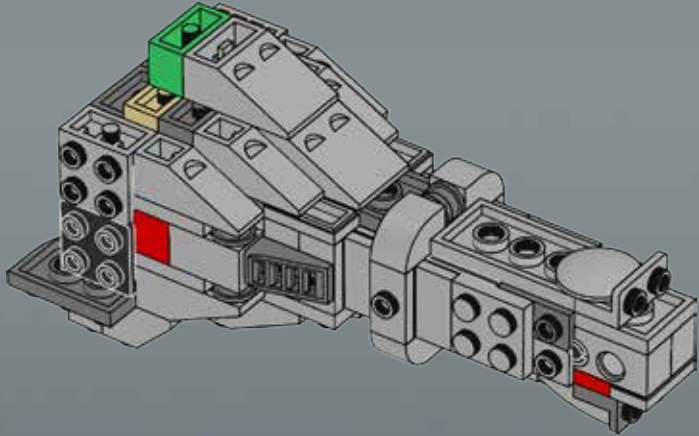


29

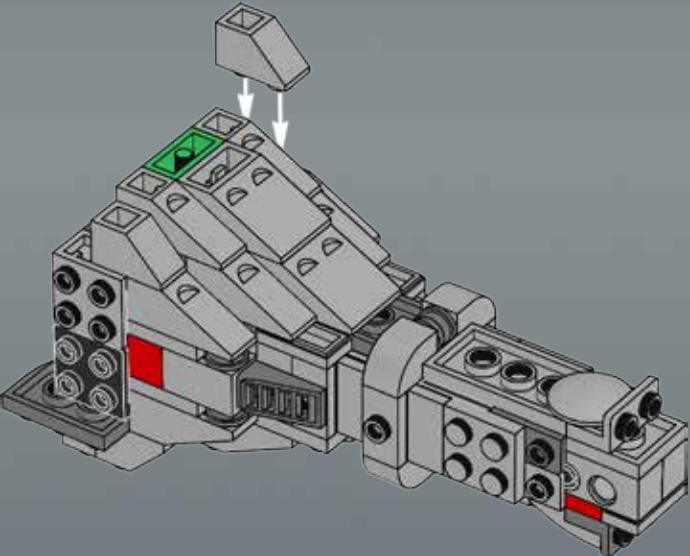




30



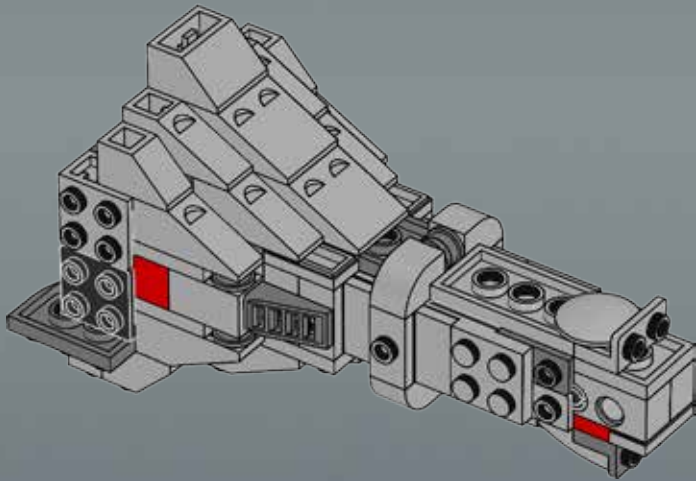
31





1x

32

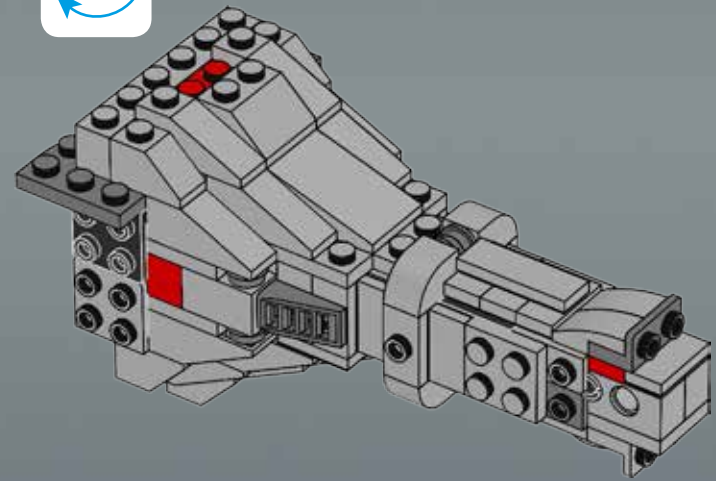


1x



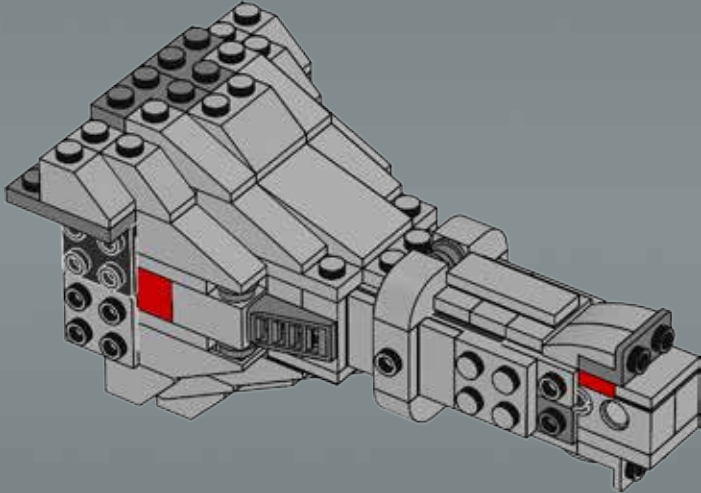
2x

33





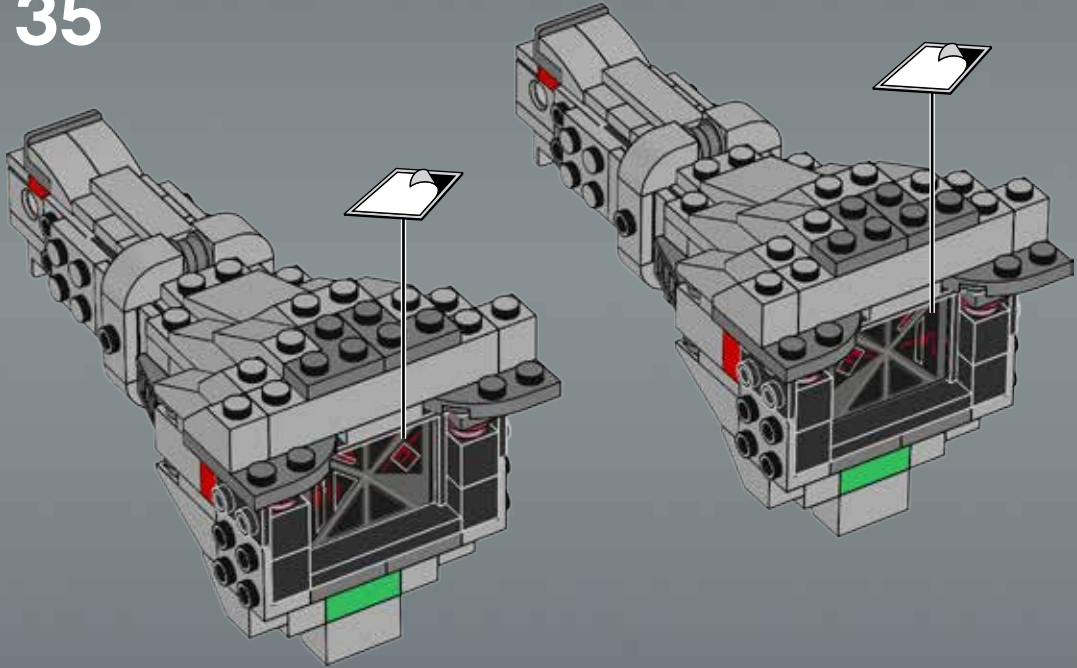
34



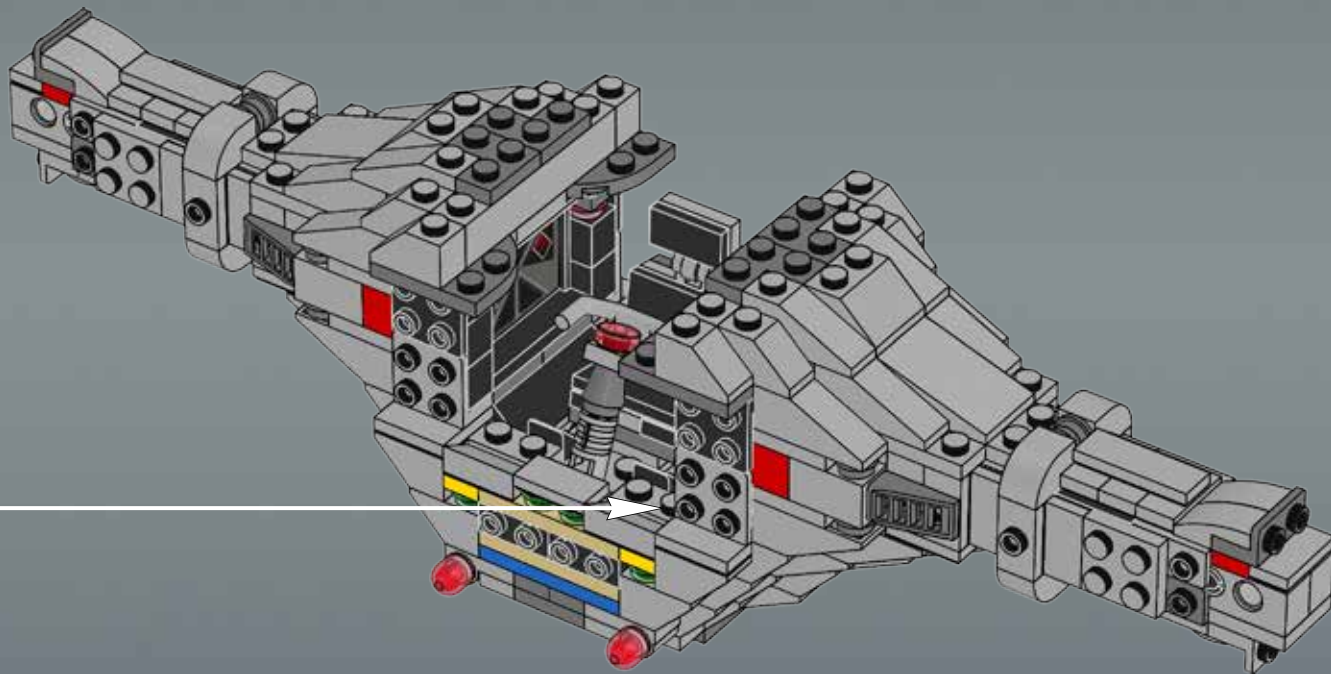
2x

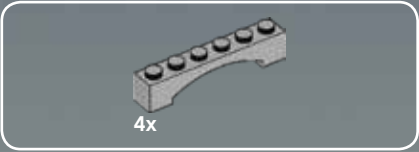
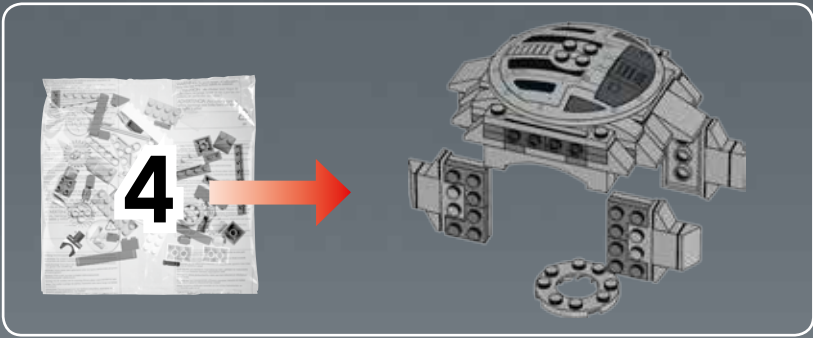


35

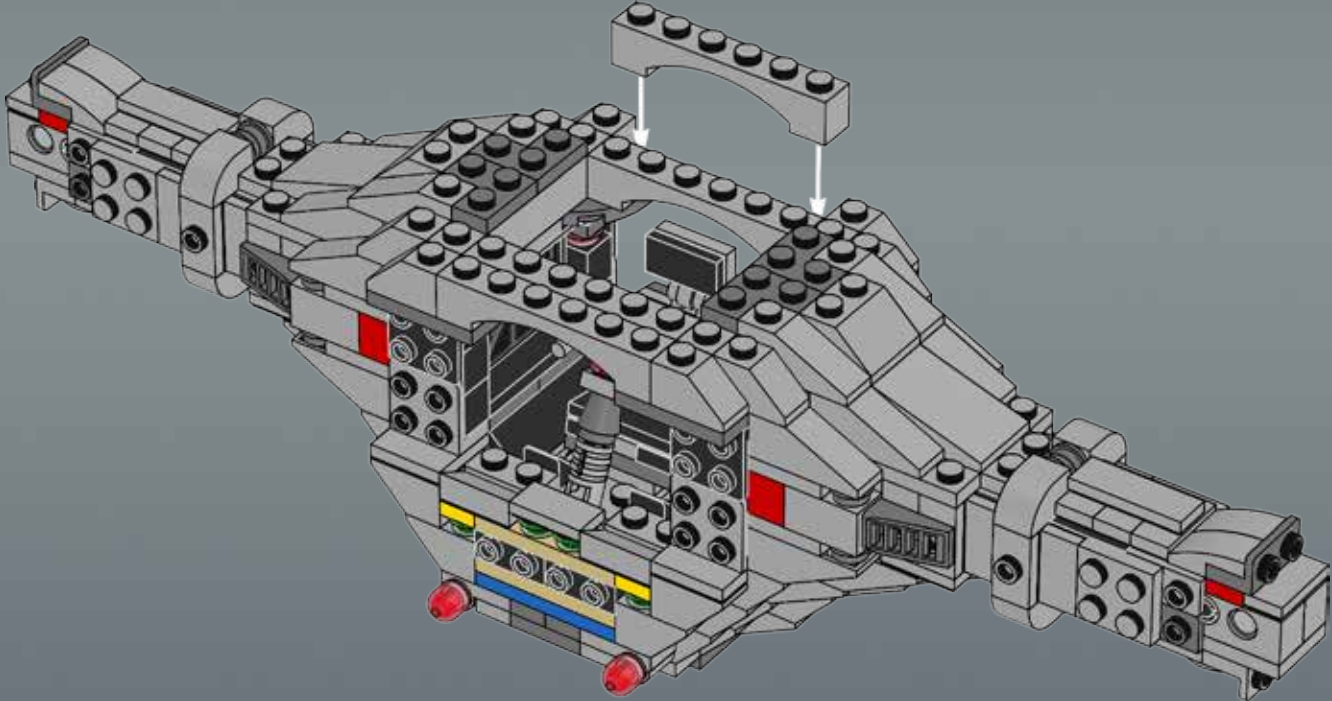


29



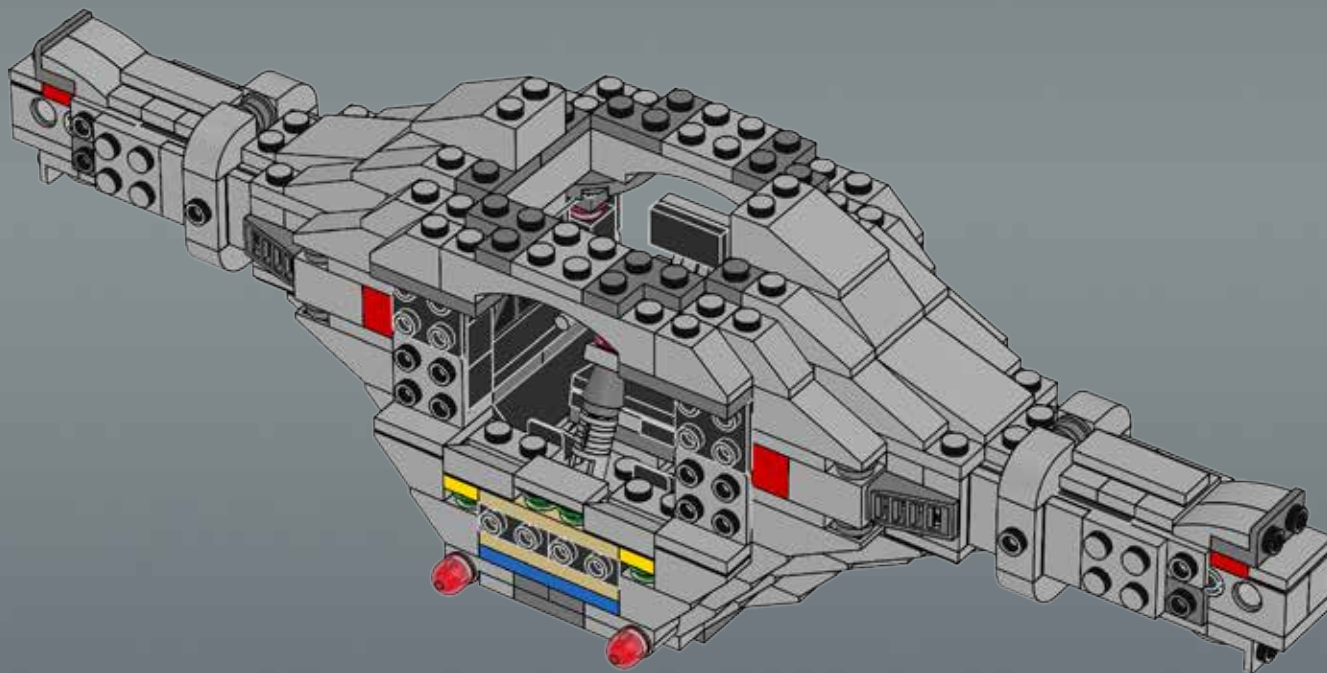


30





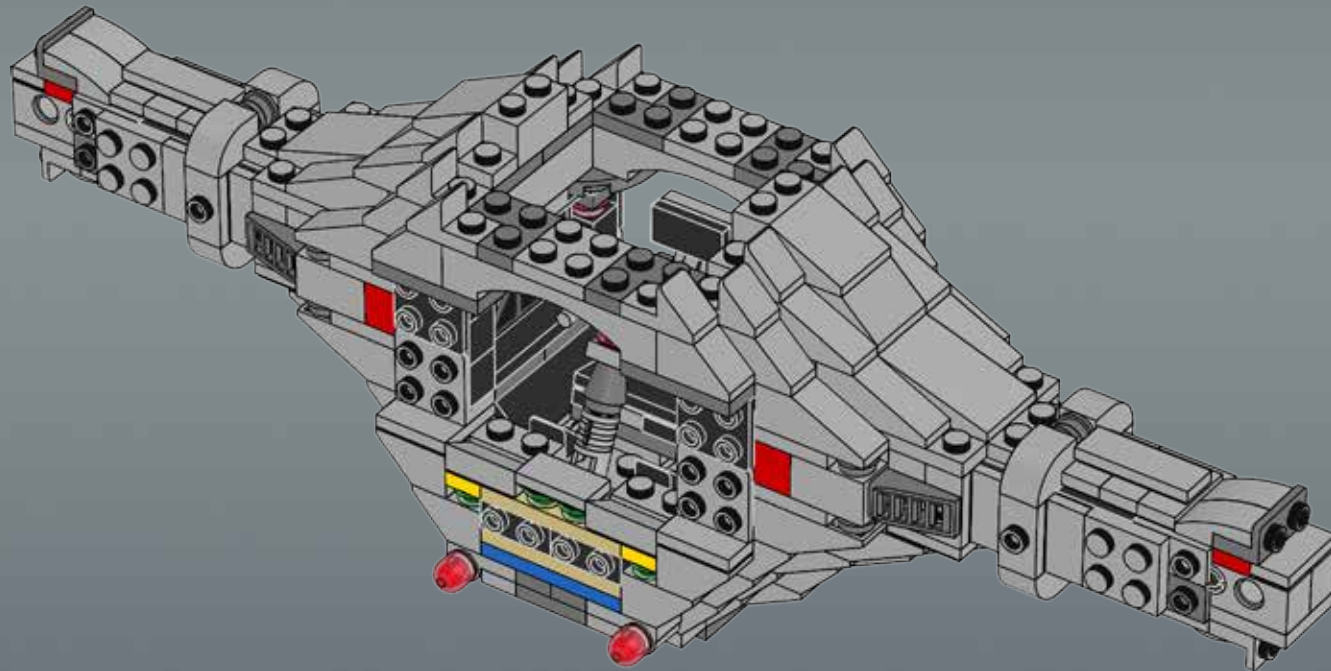
31





12x

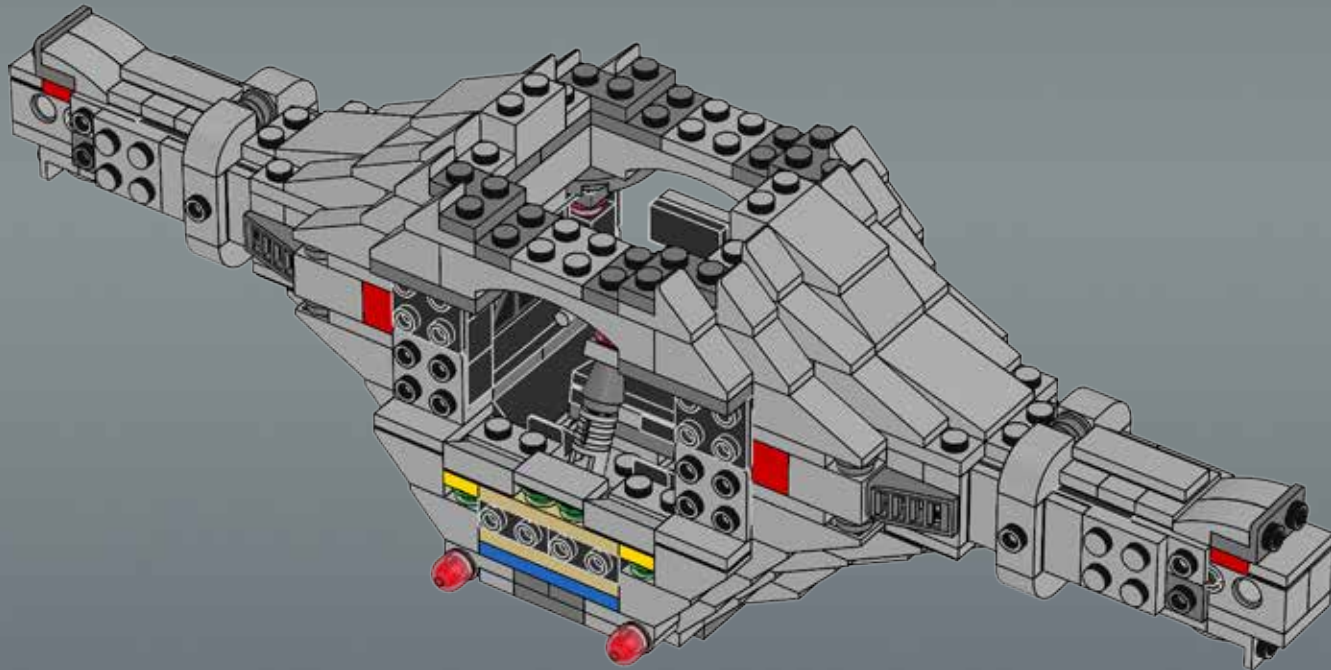
32





4x

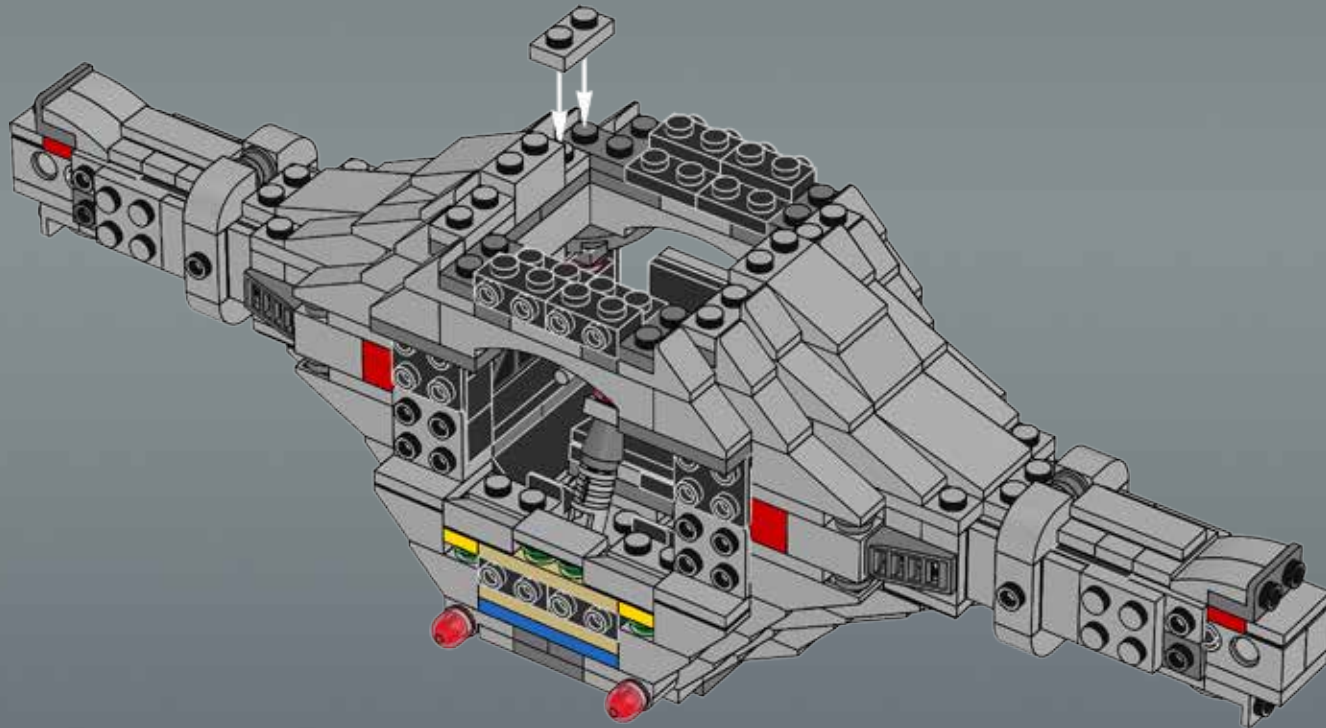
33



4x

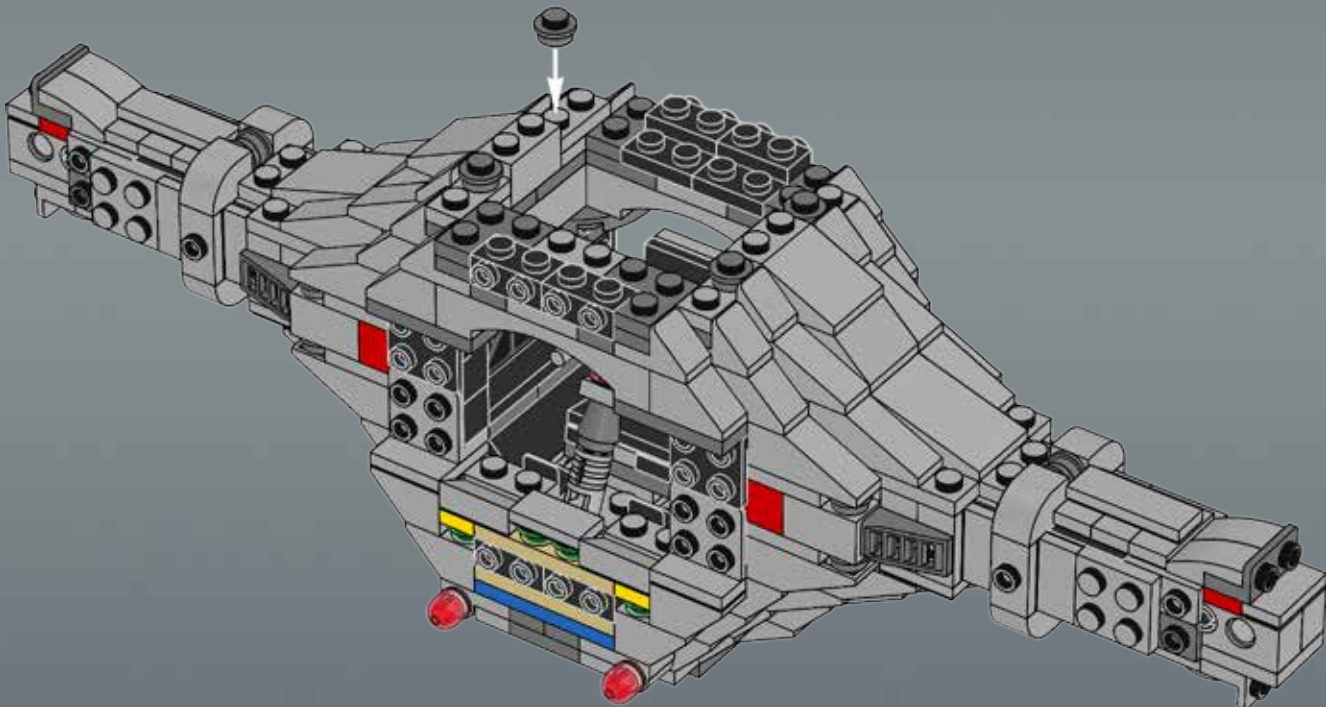
4x

34



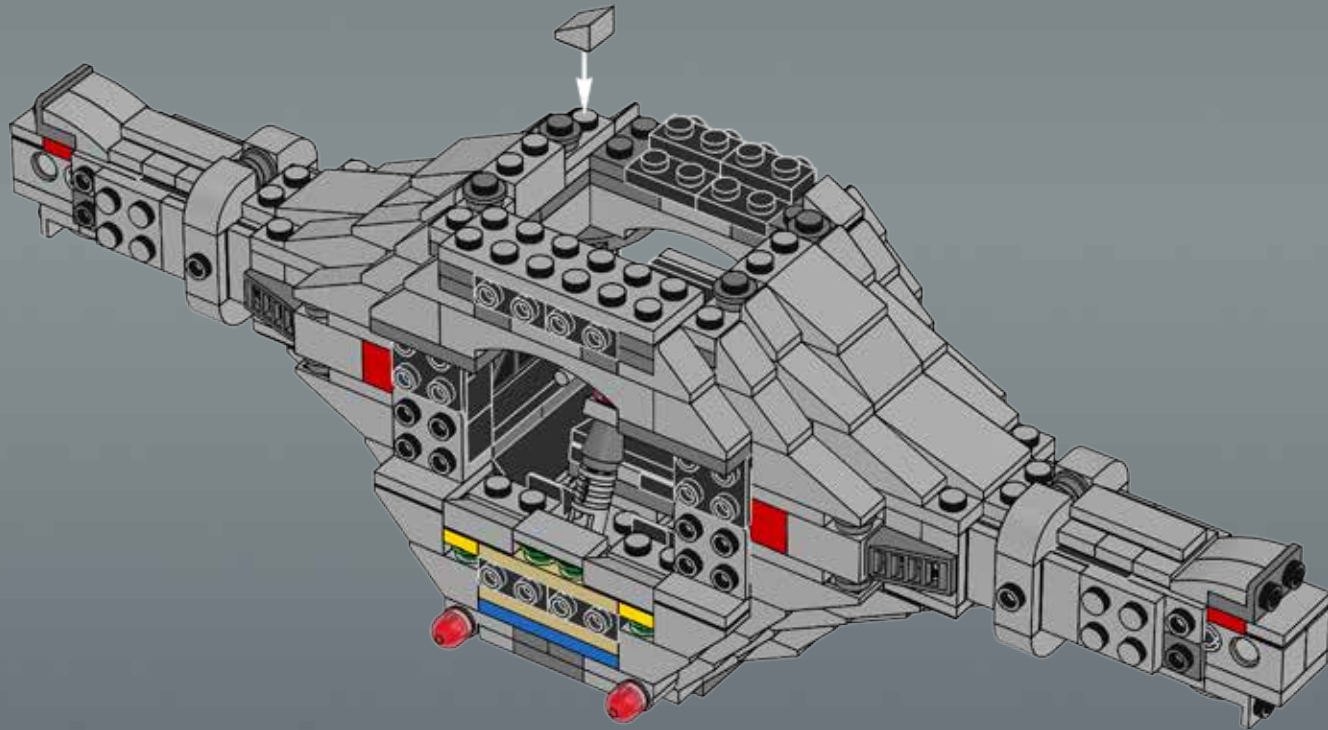
4x
2x
1x

35



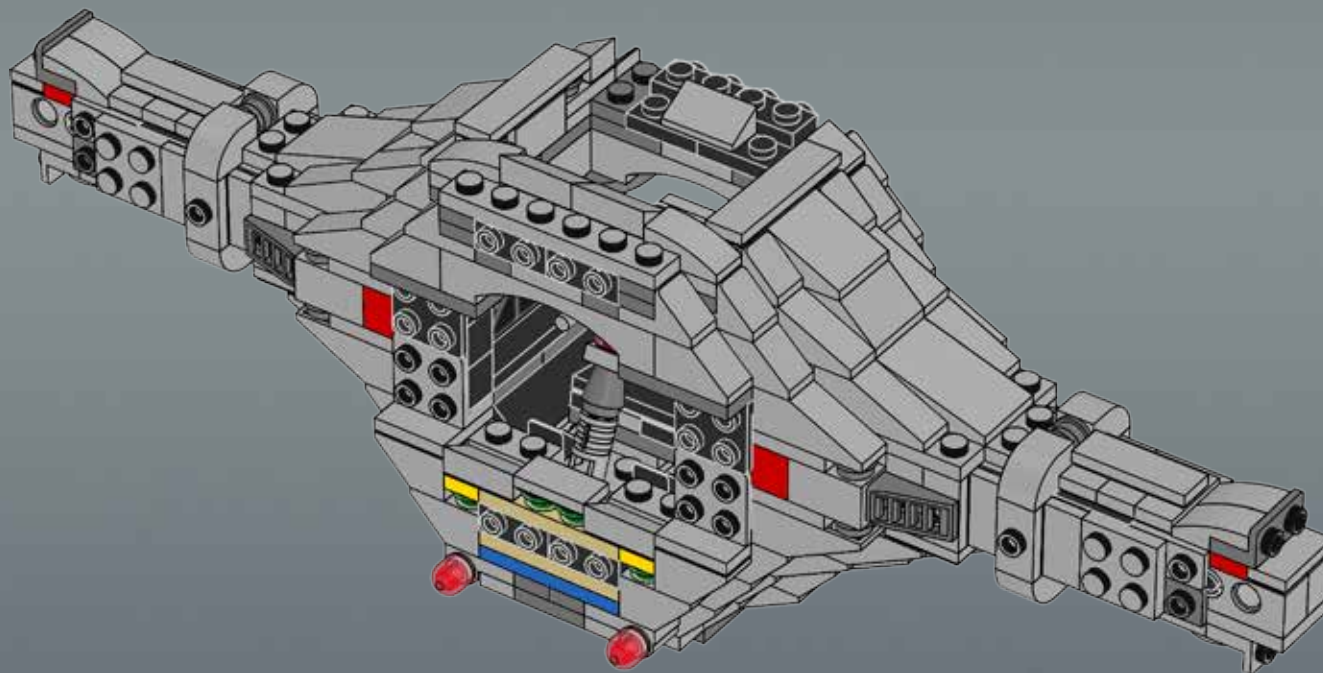


36



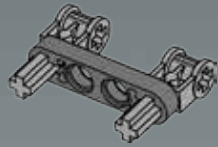


37

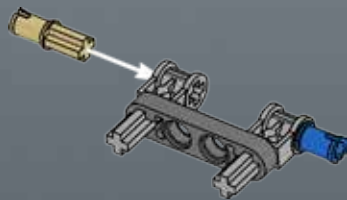




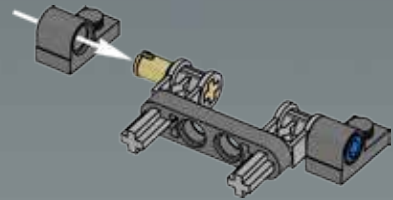
1



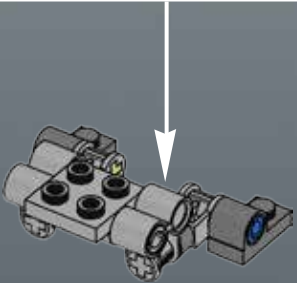
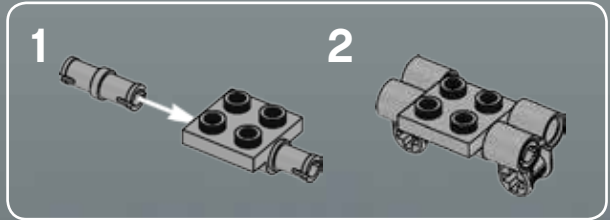
2



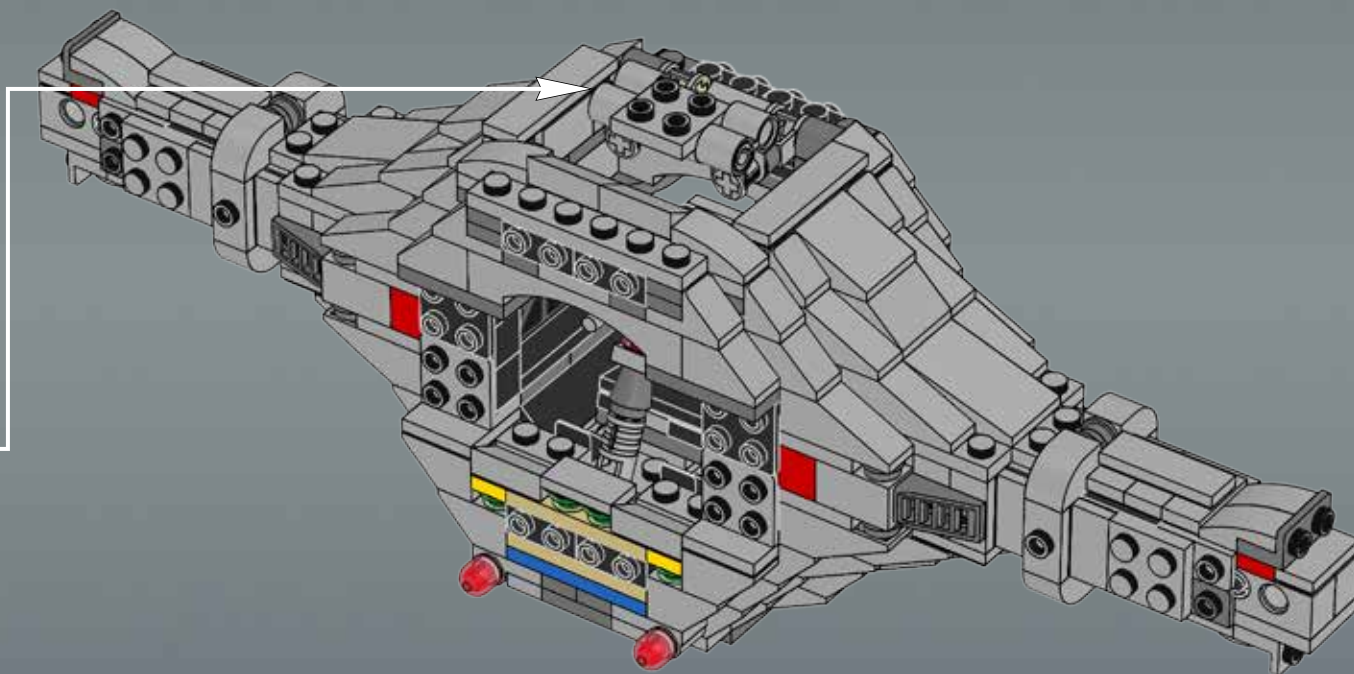
3



4

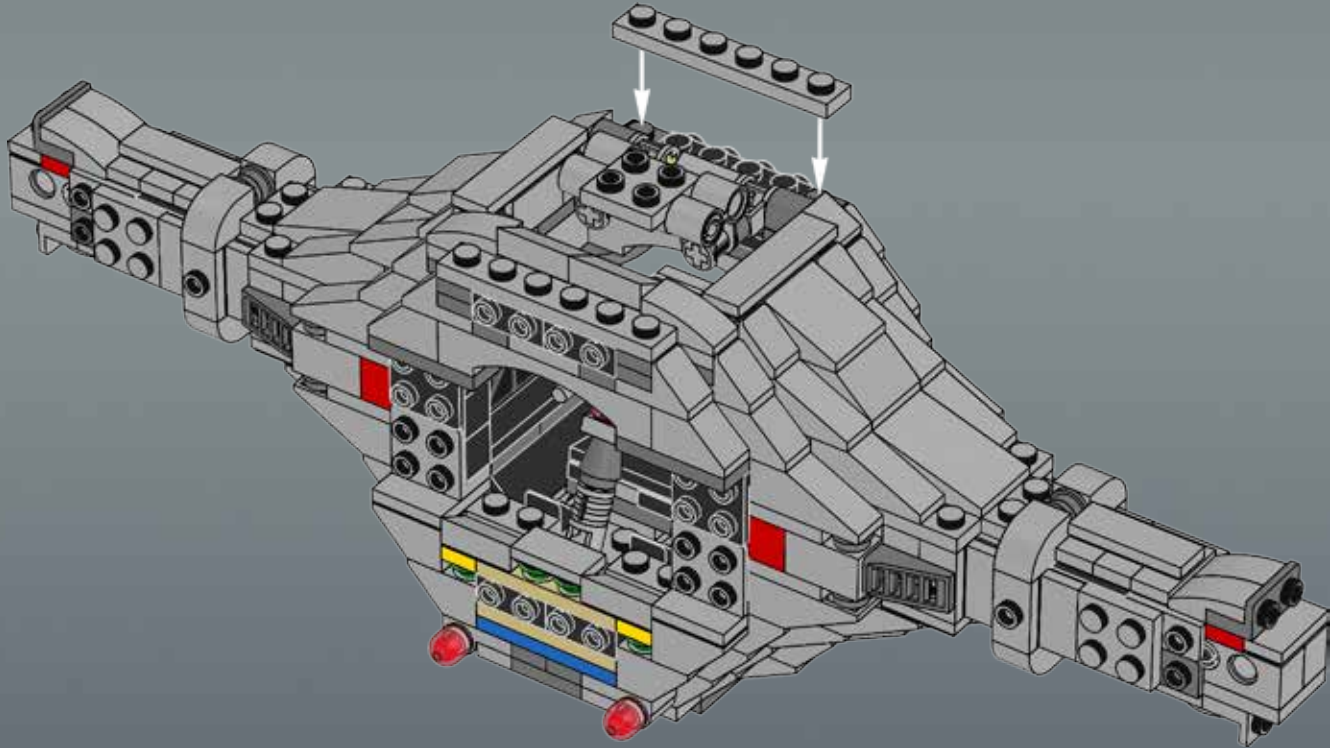


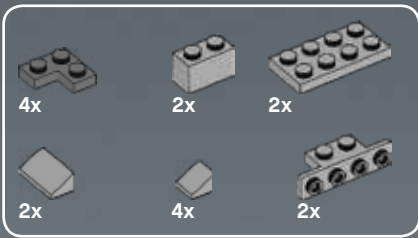
38



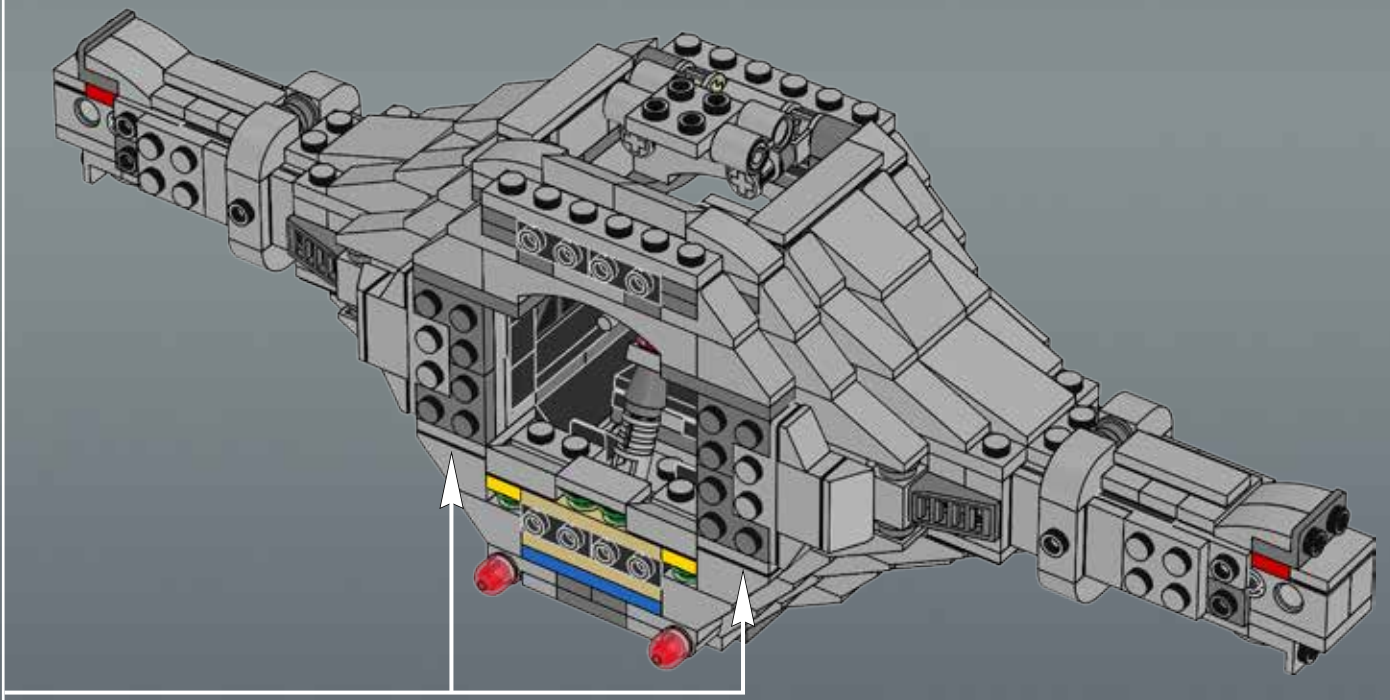
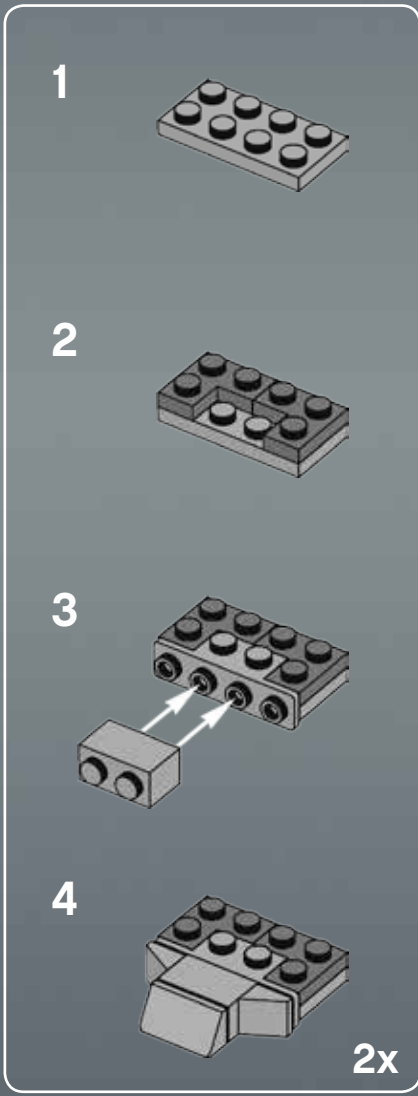


39



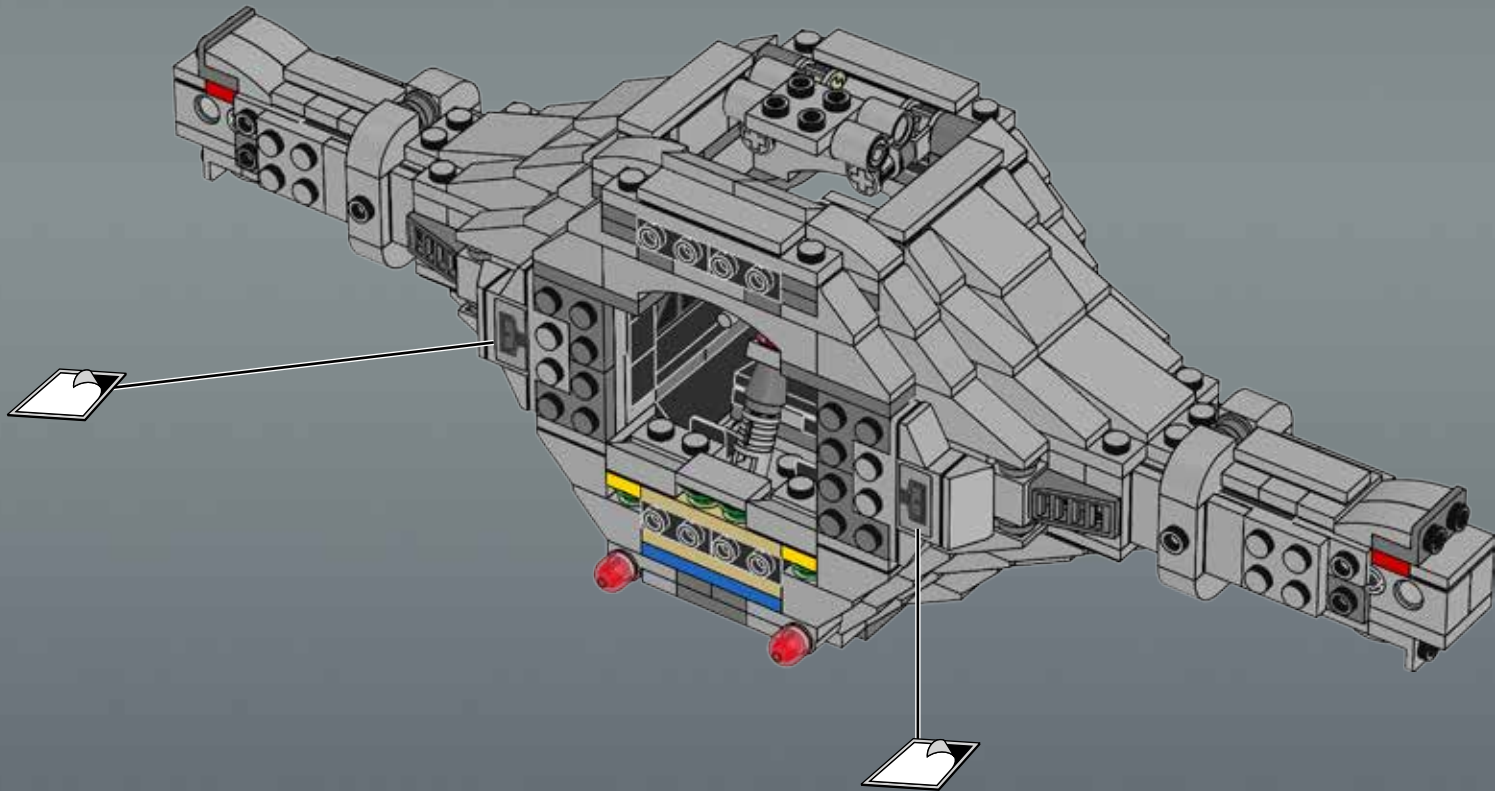


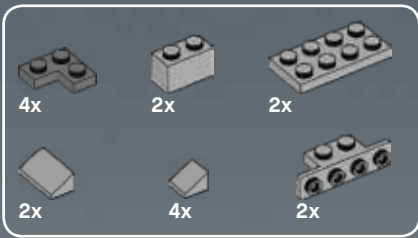
40





41

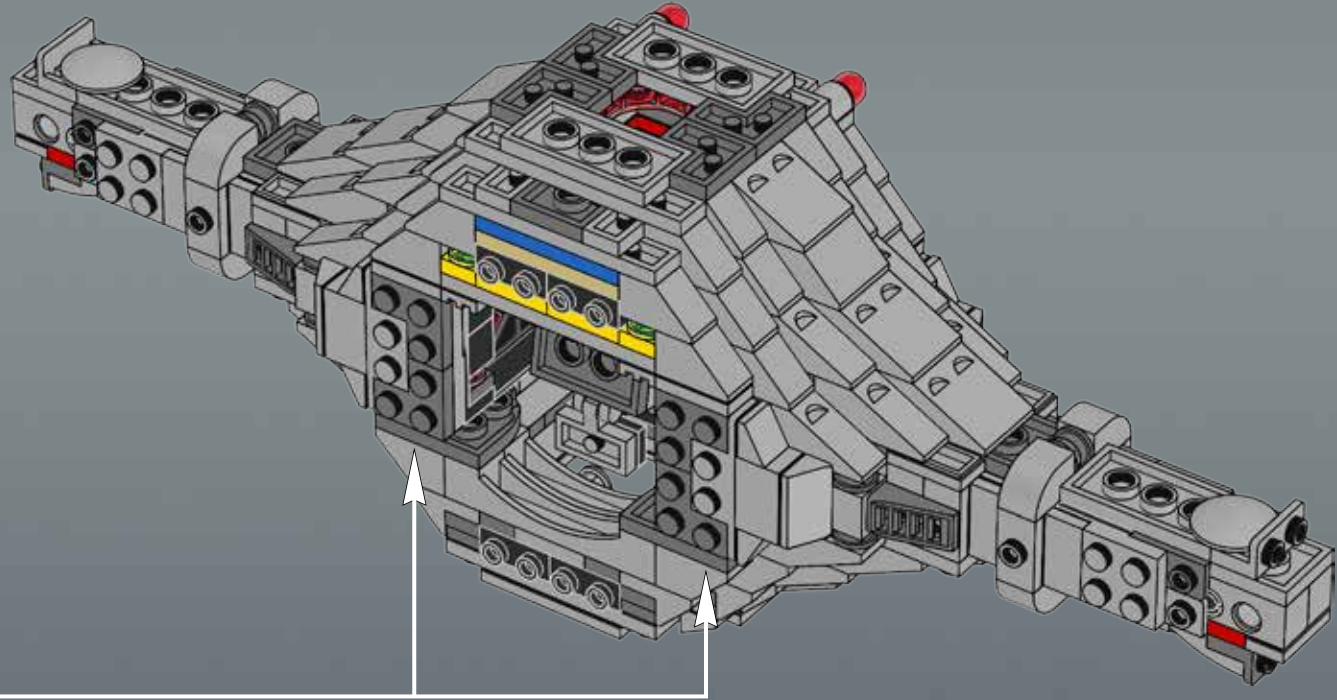




42

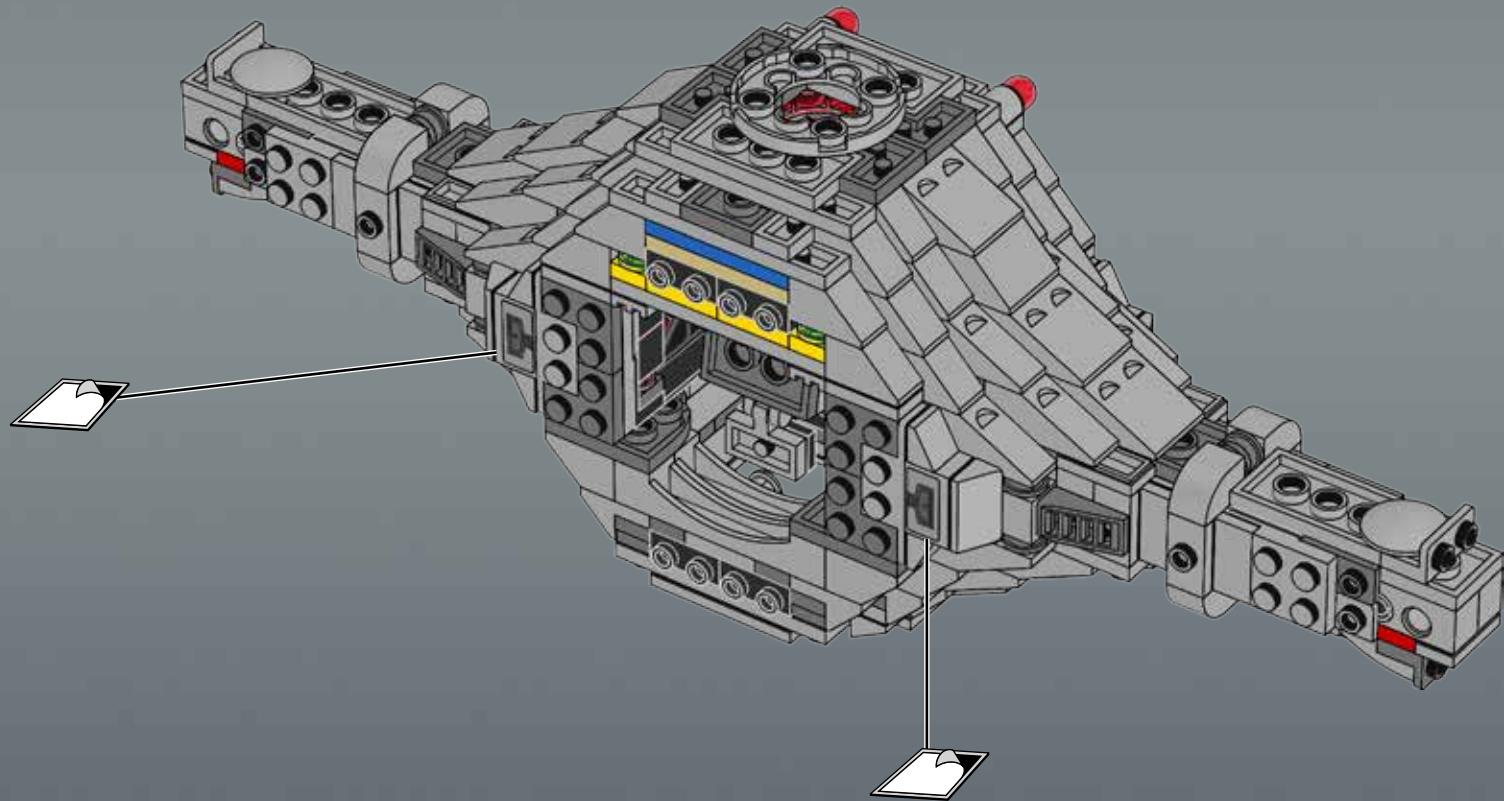
- 1
- 2
- 3
- 4

2x



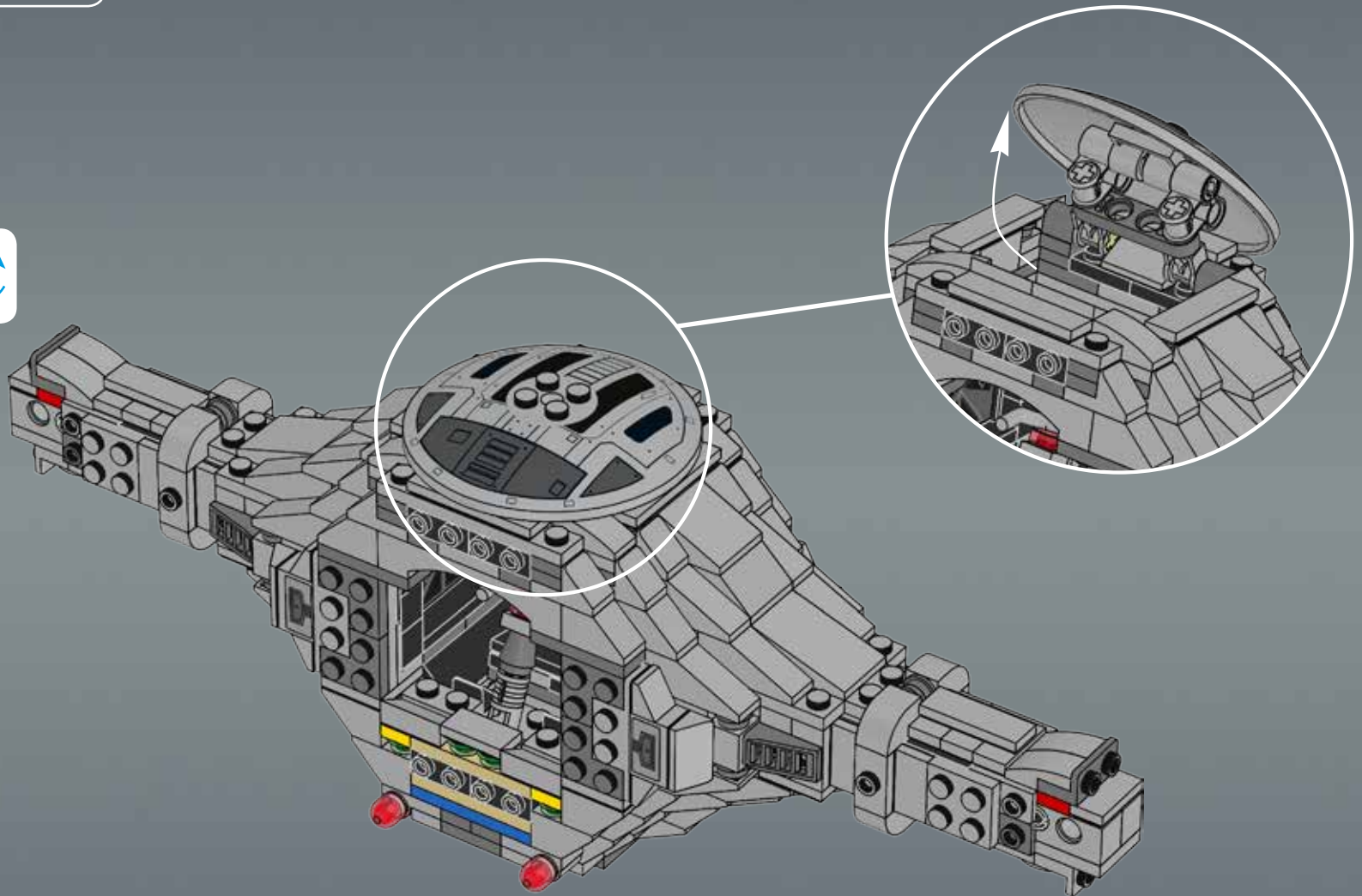


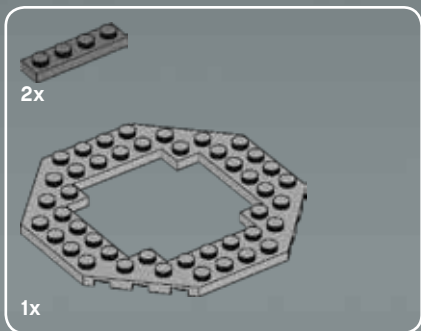
43



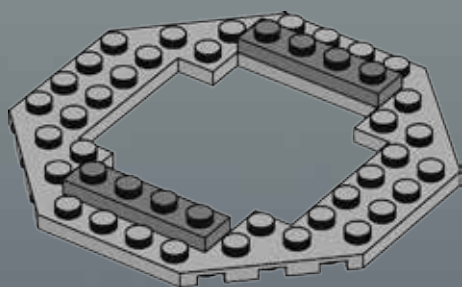


44

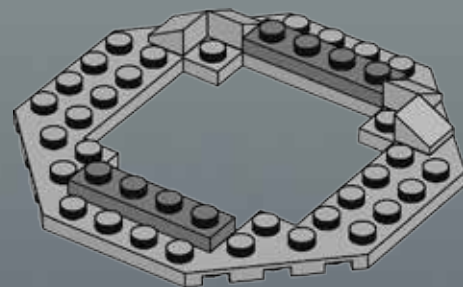


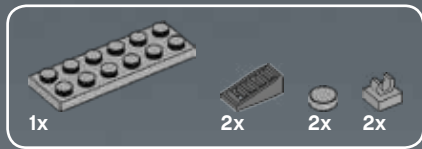


1

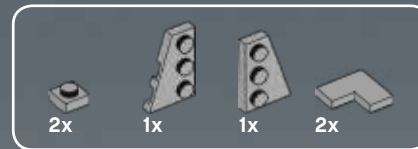
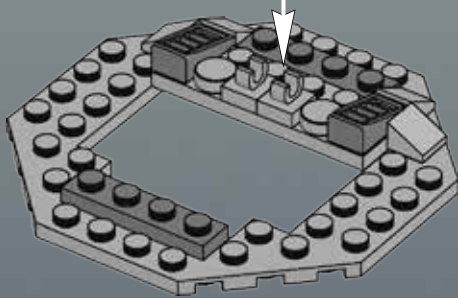
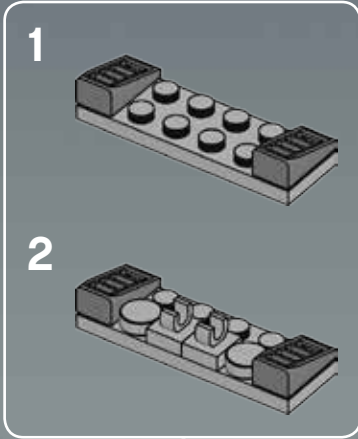


2

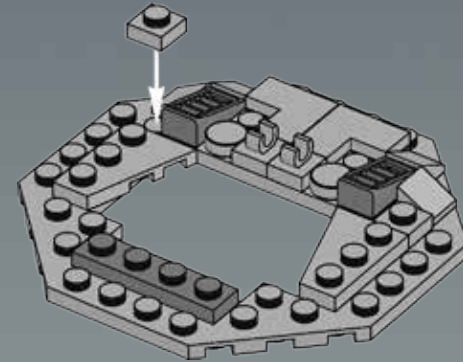




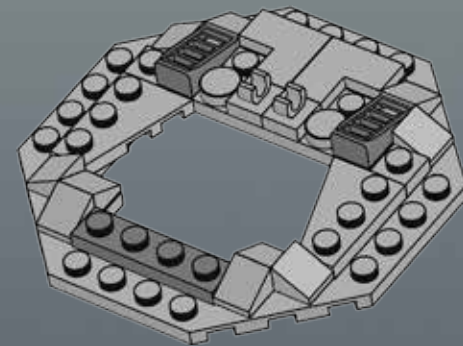
3



4

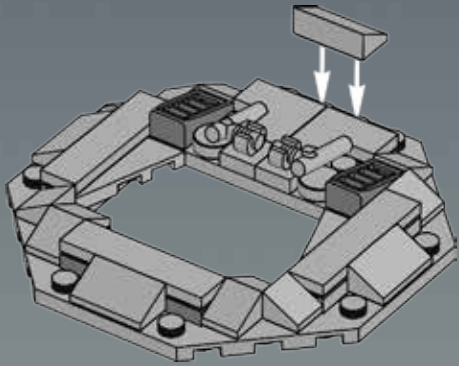


5

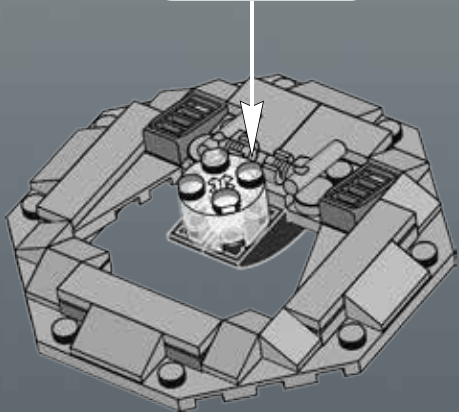
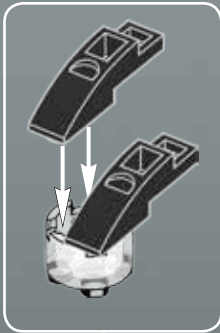




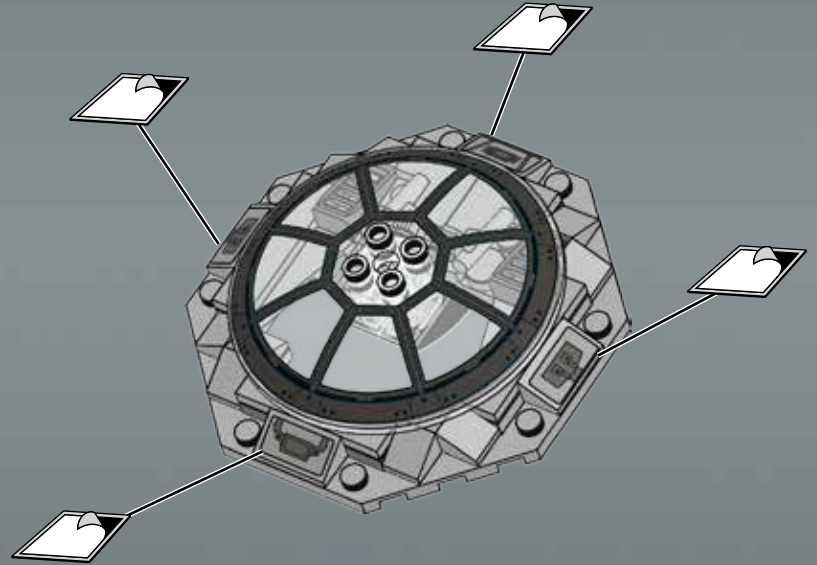
6



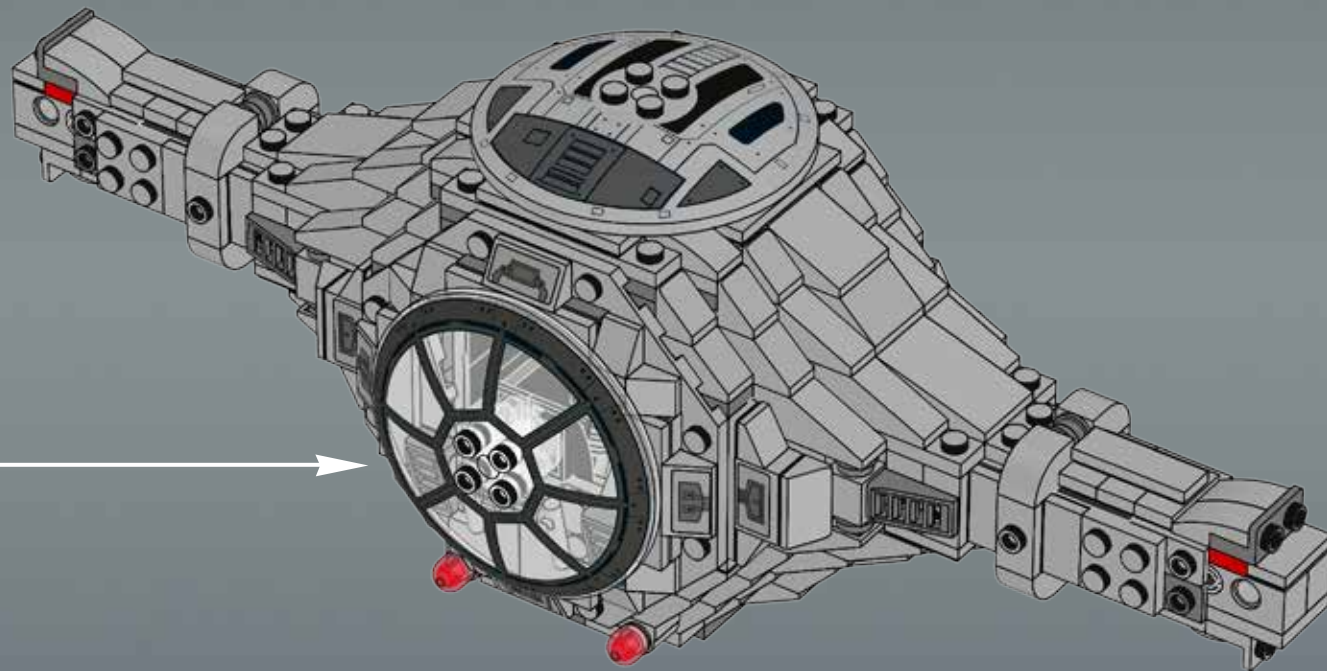
7

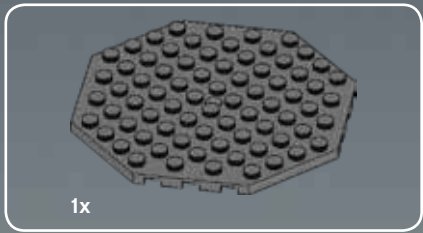


8



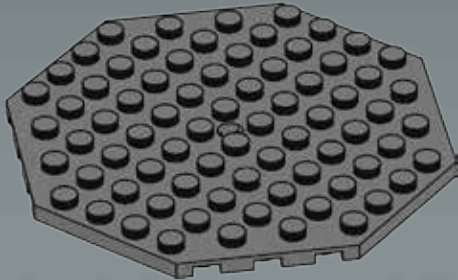
45





1x

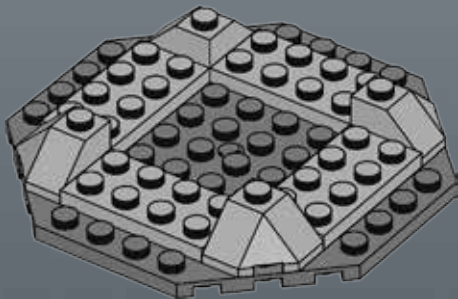
1



4x

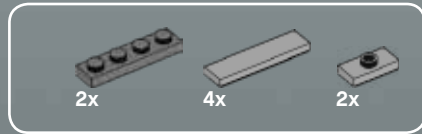
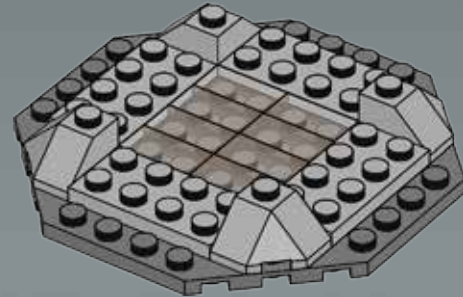
4x

2



8x

3

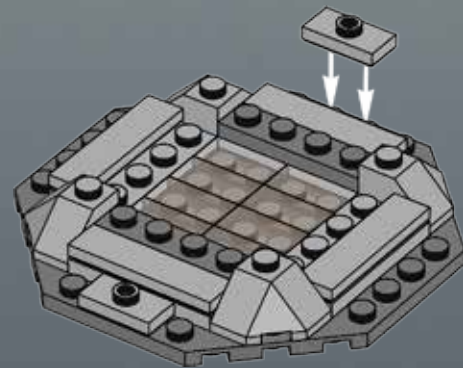


2x

4x

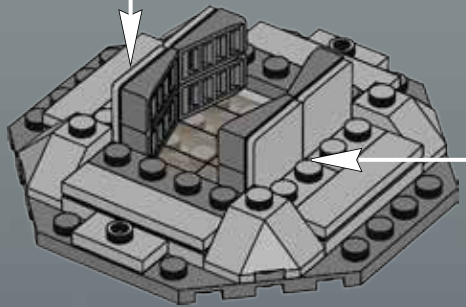
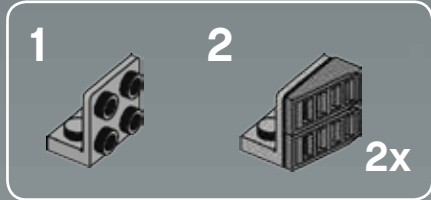
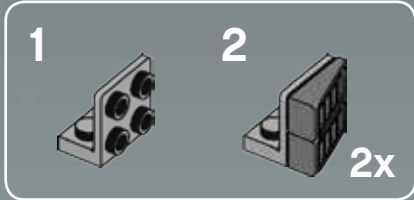
2x

4

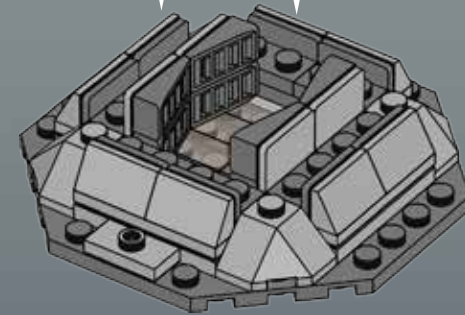
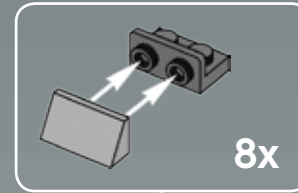




5

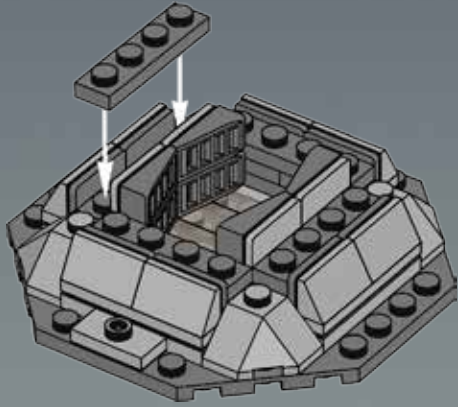


6

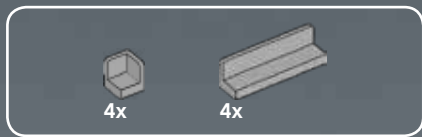
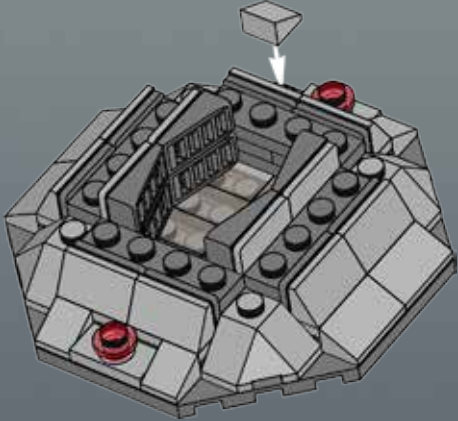




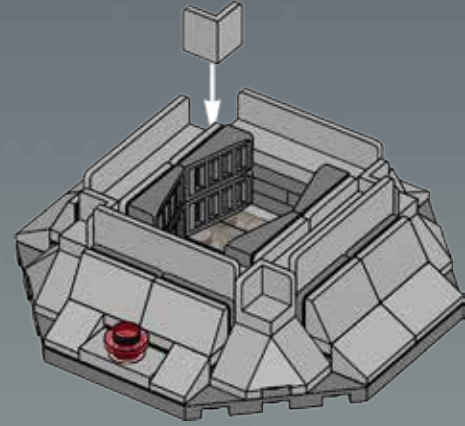
7



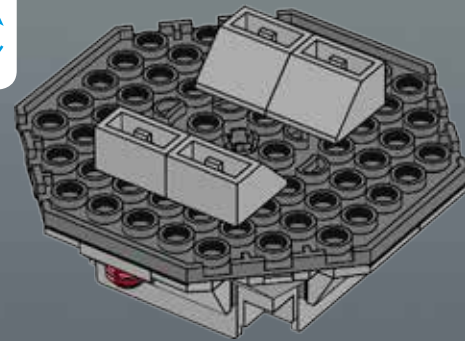
8



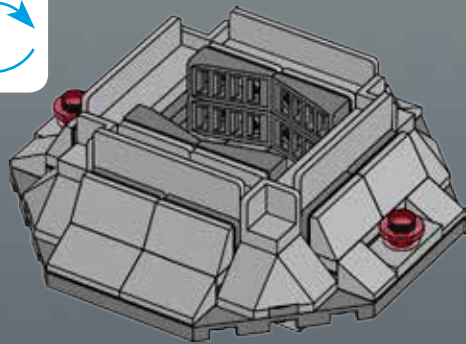
9



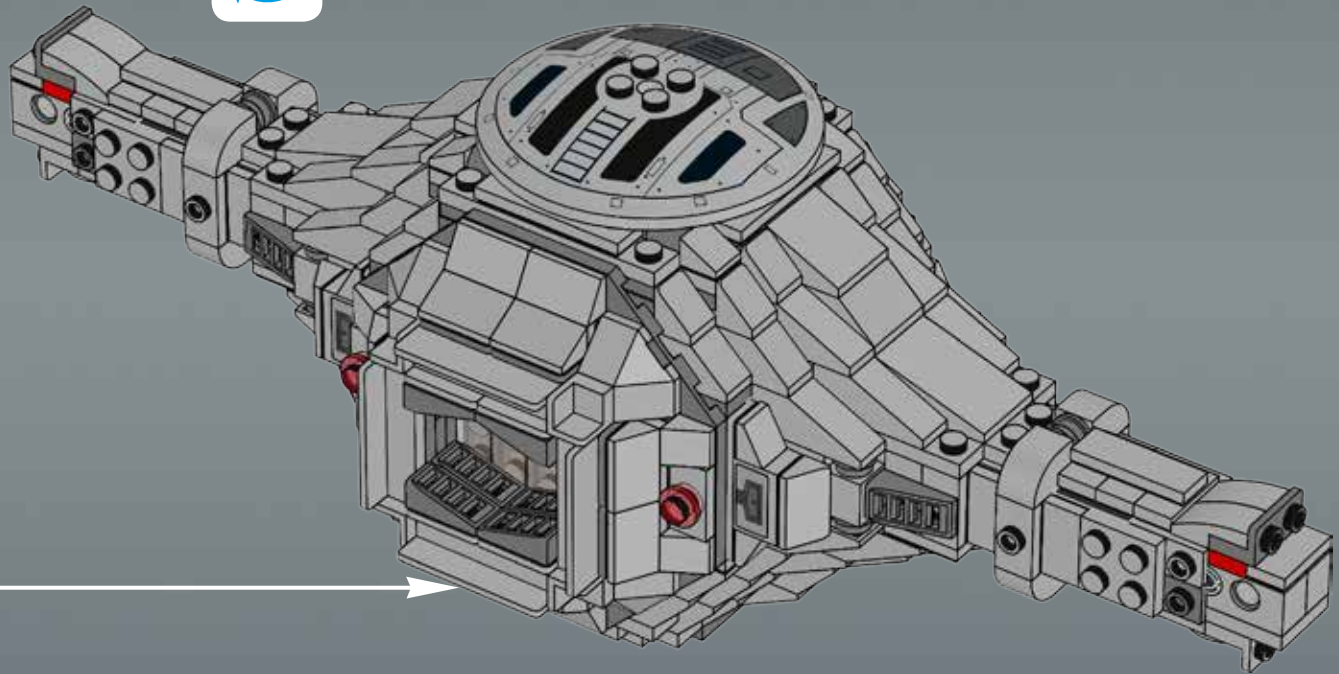
10

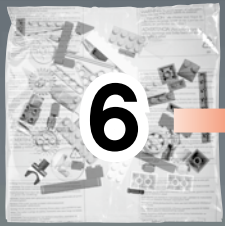


11

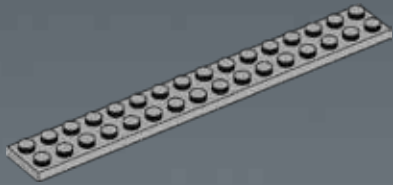


46



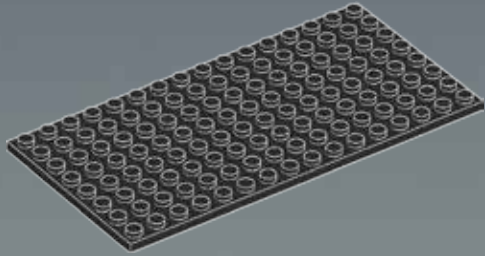


+

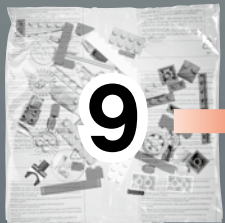
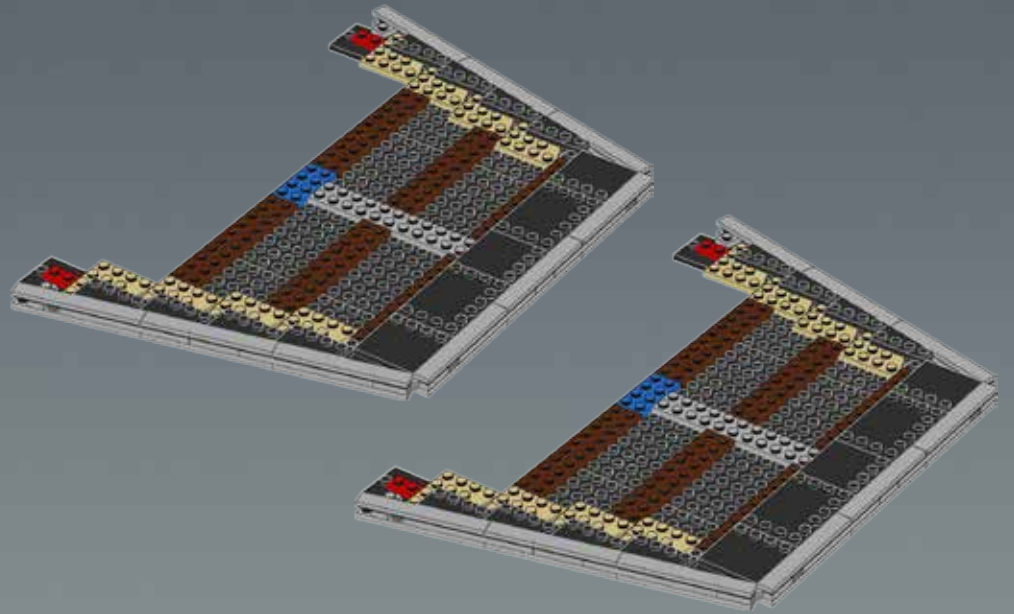


2x

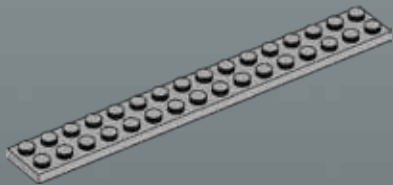
=



4x

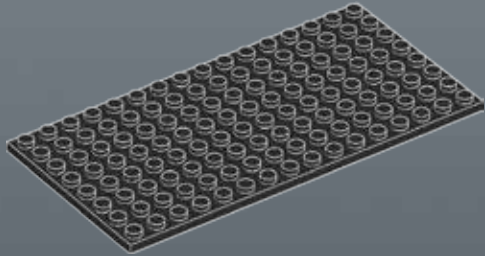


+

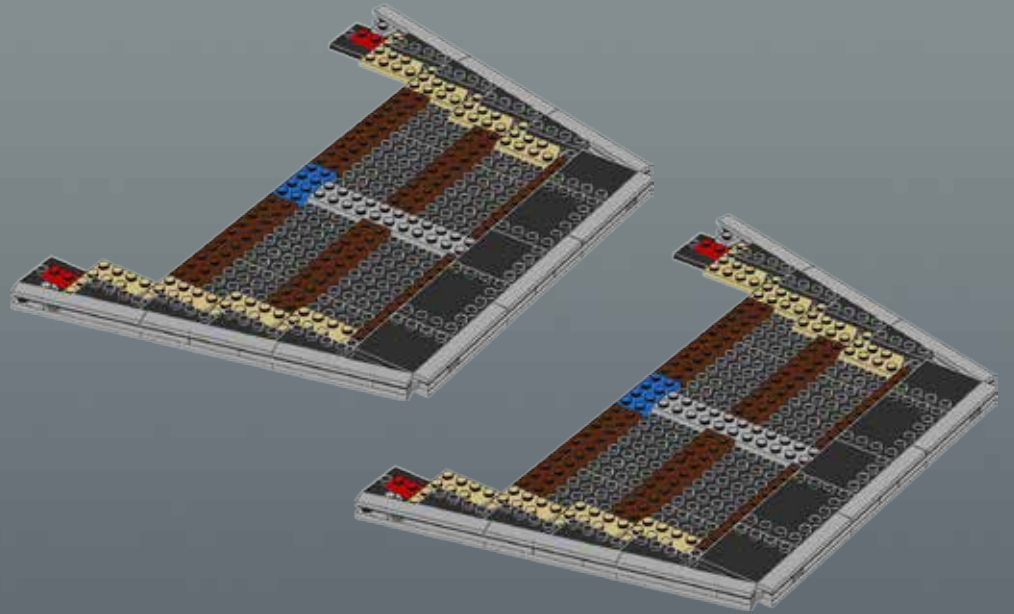


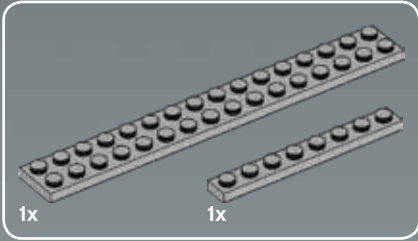
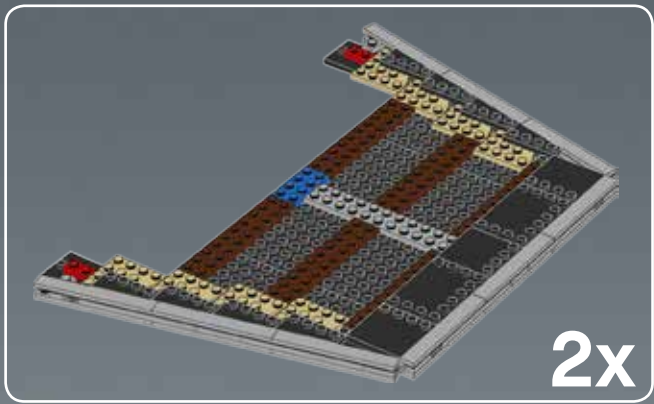
2x

=

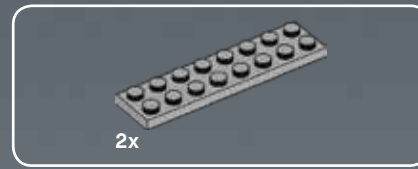
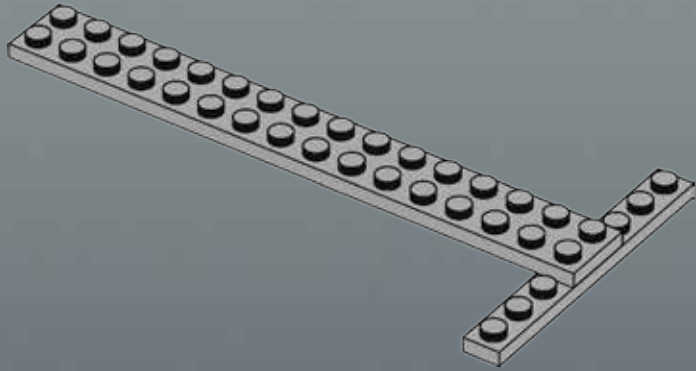


4x

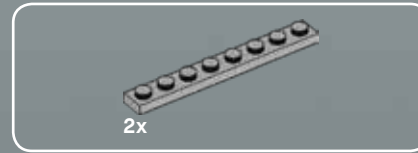
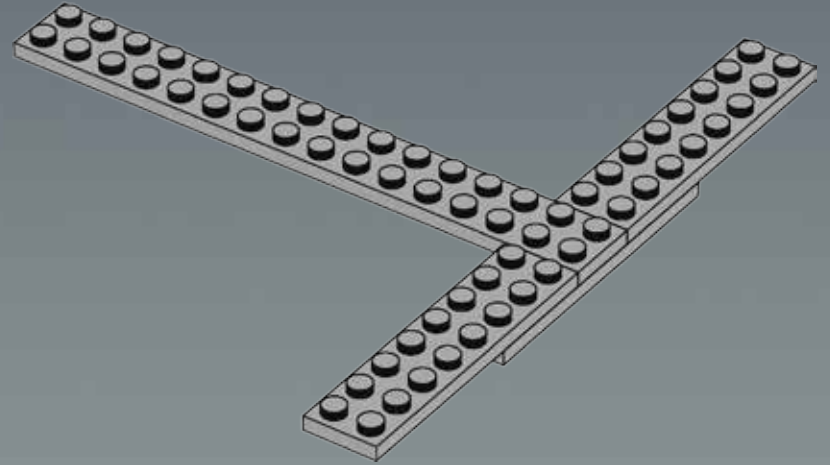




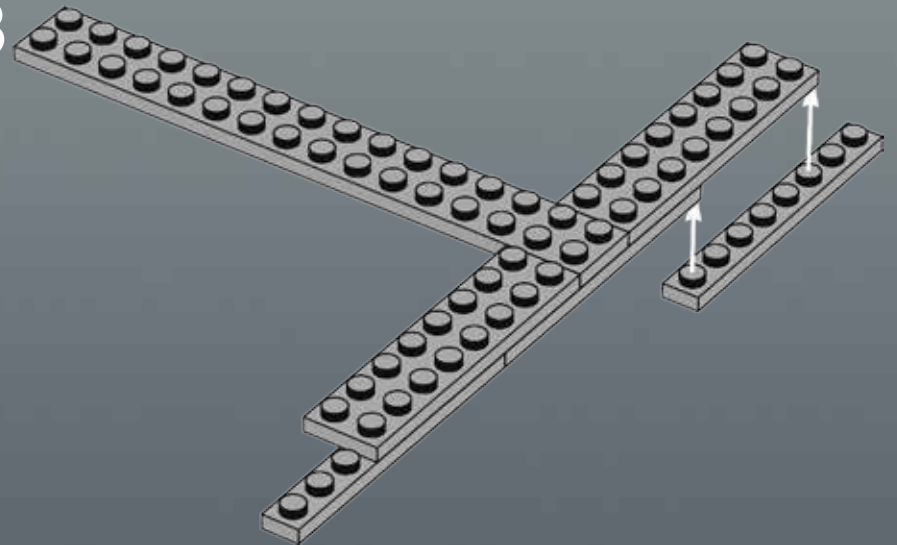
1

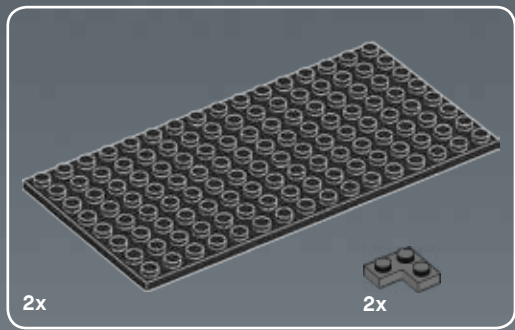


2

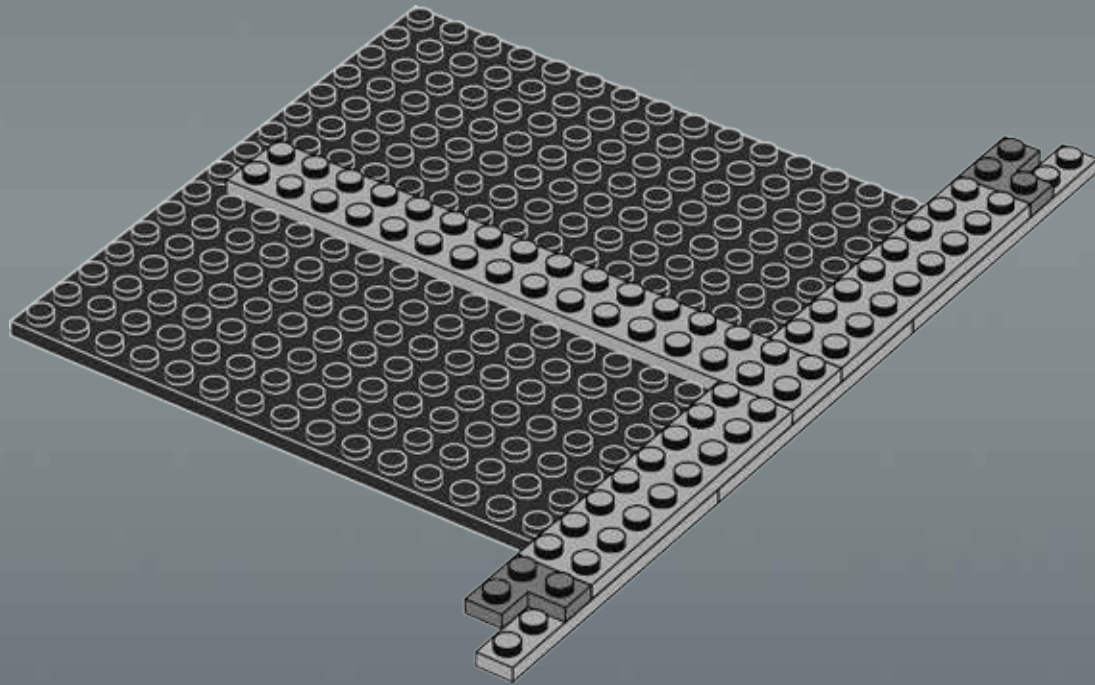


3



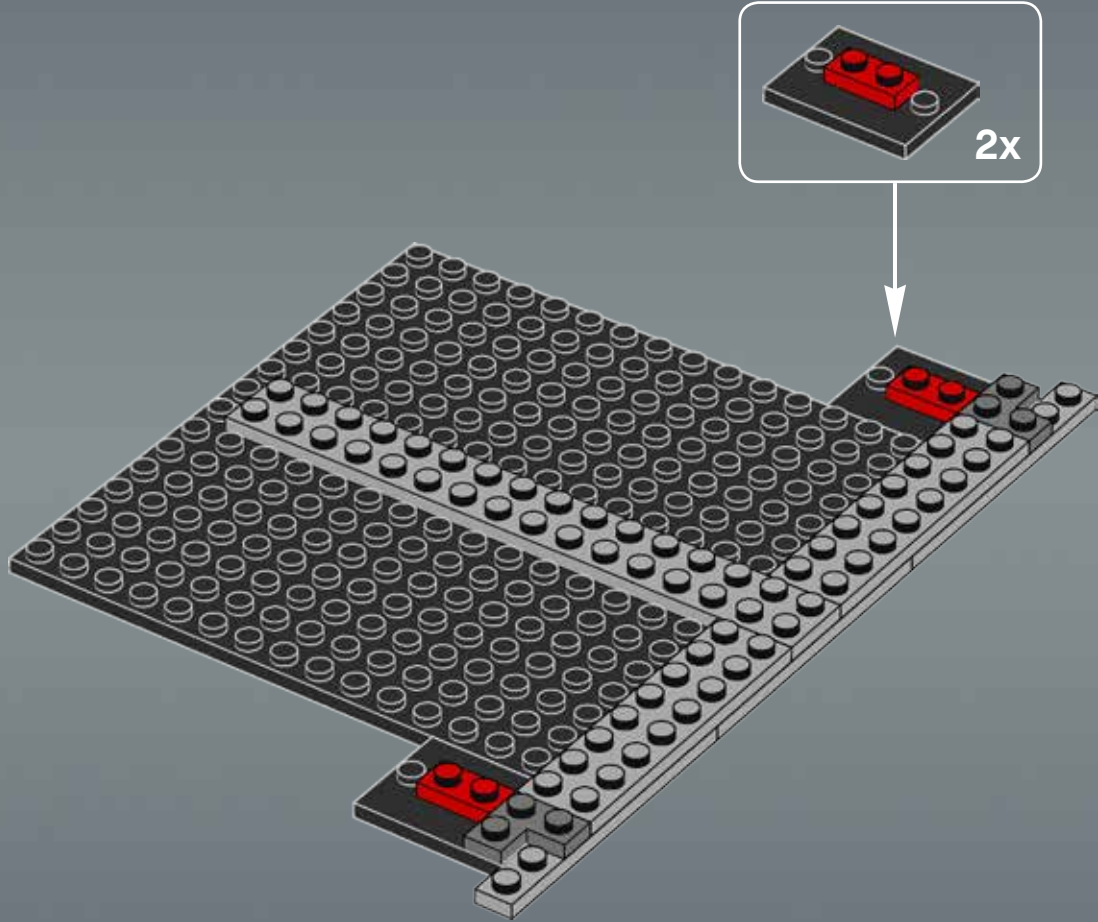


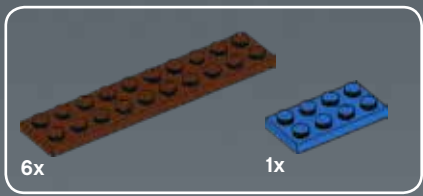
4



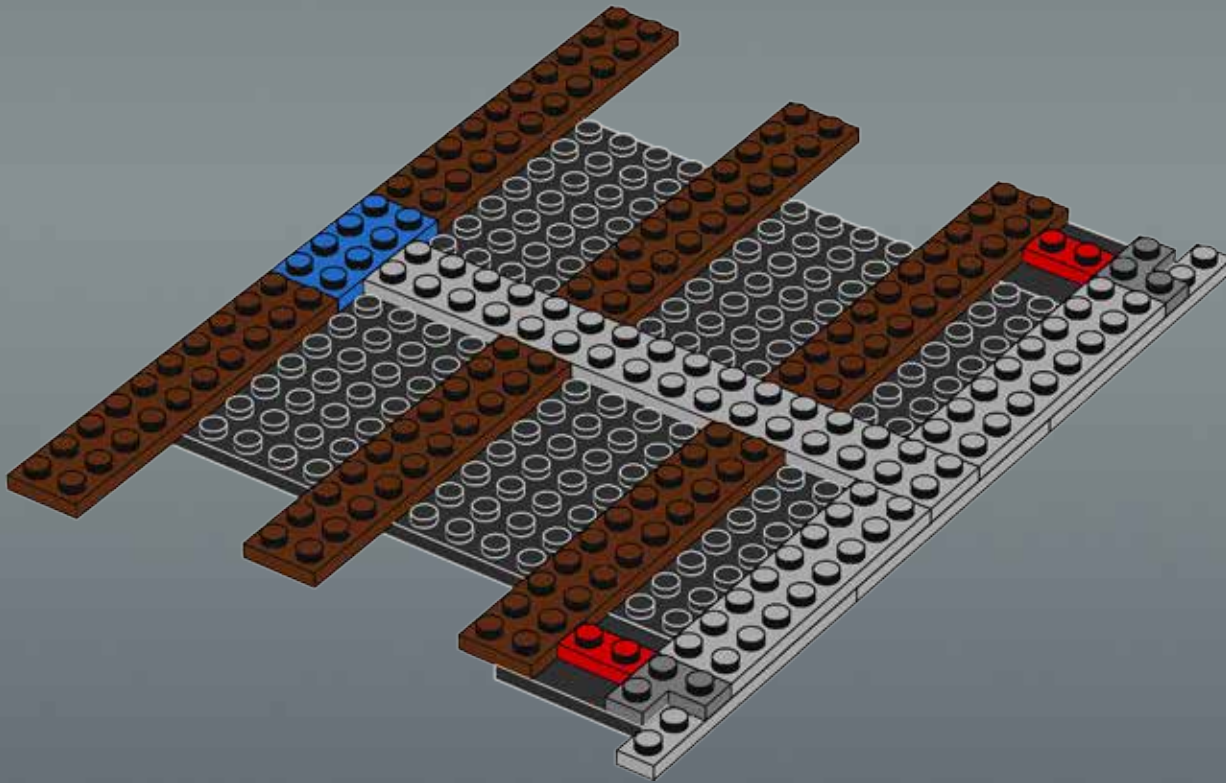


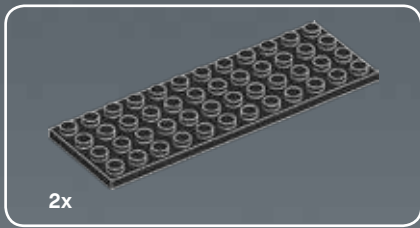
5



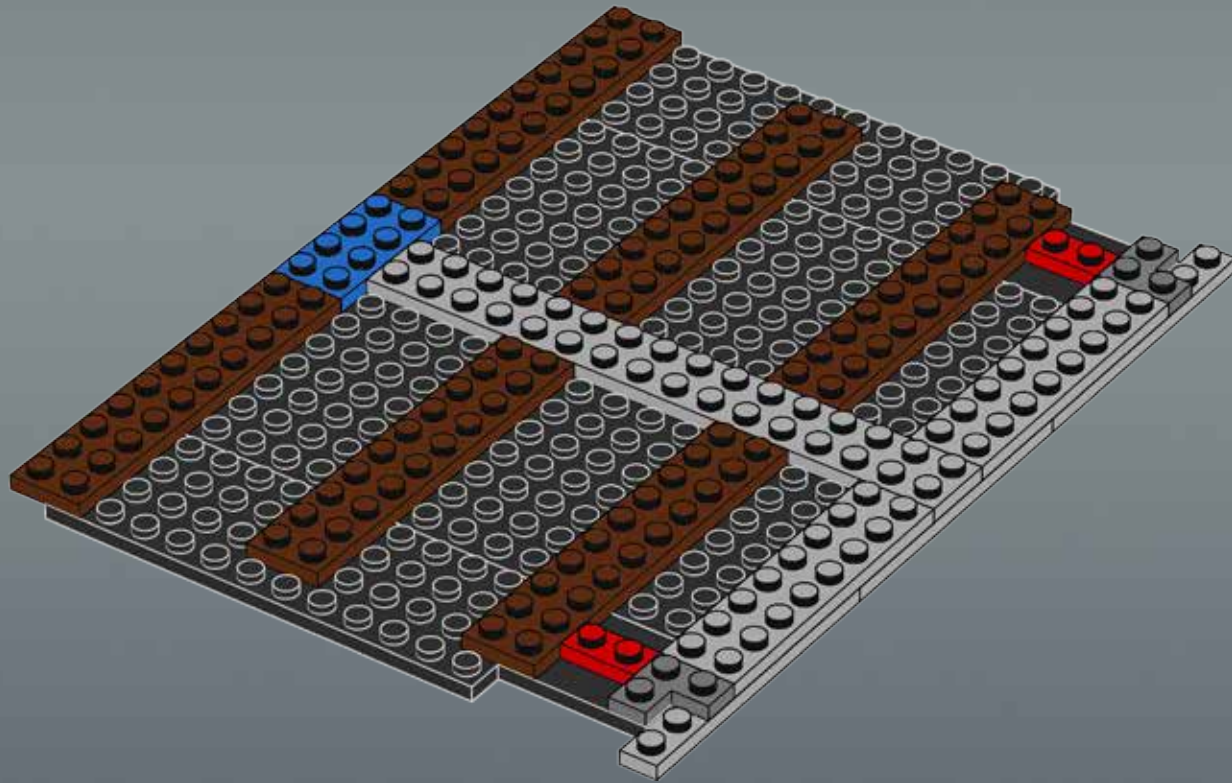


6



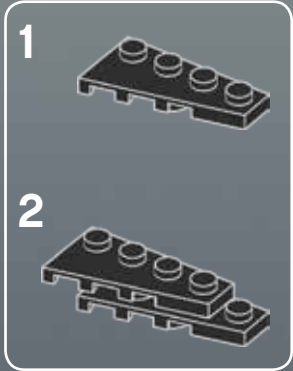
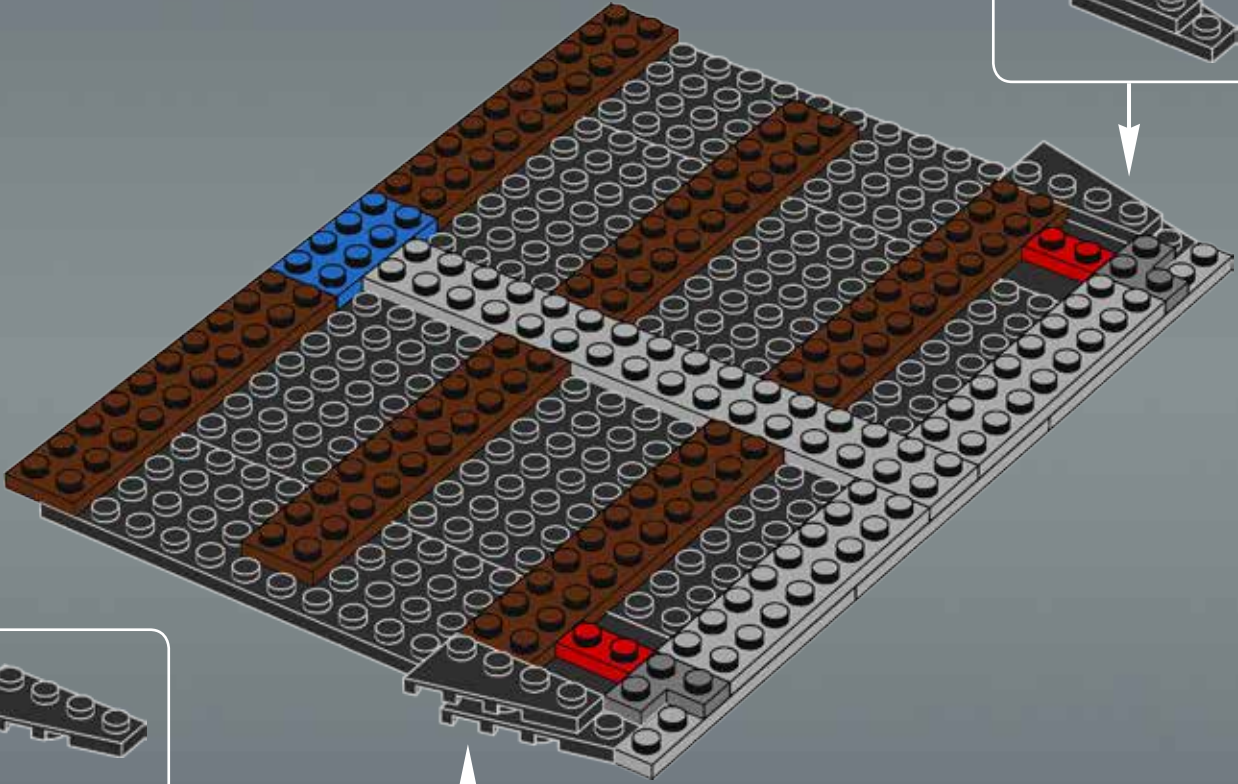
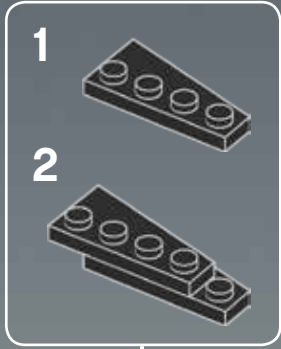


7



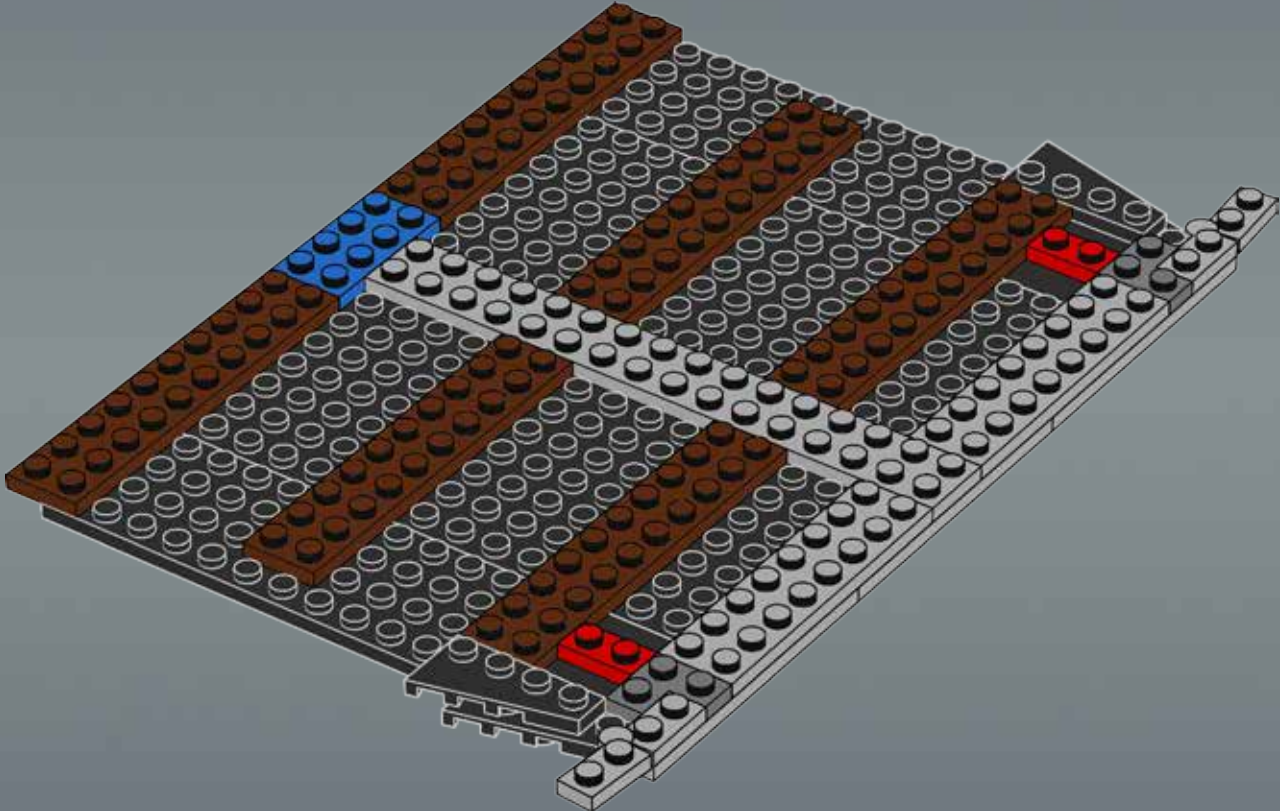


8



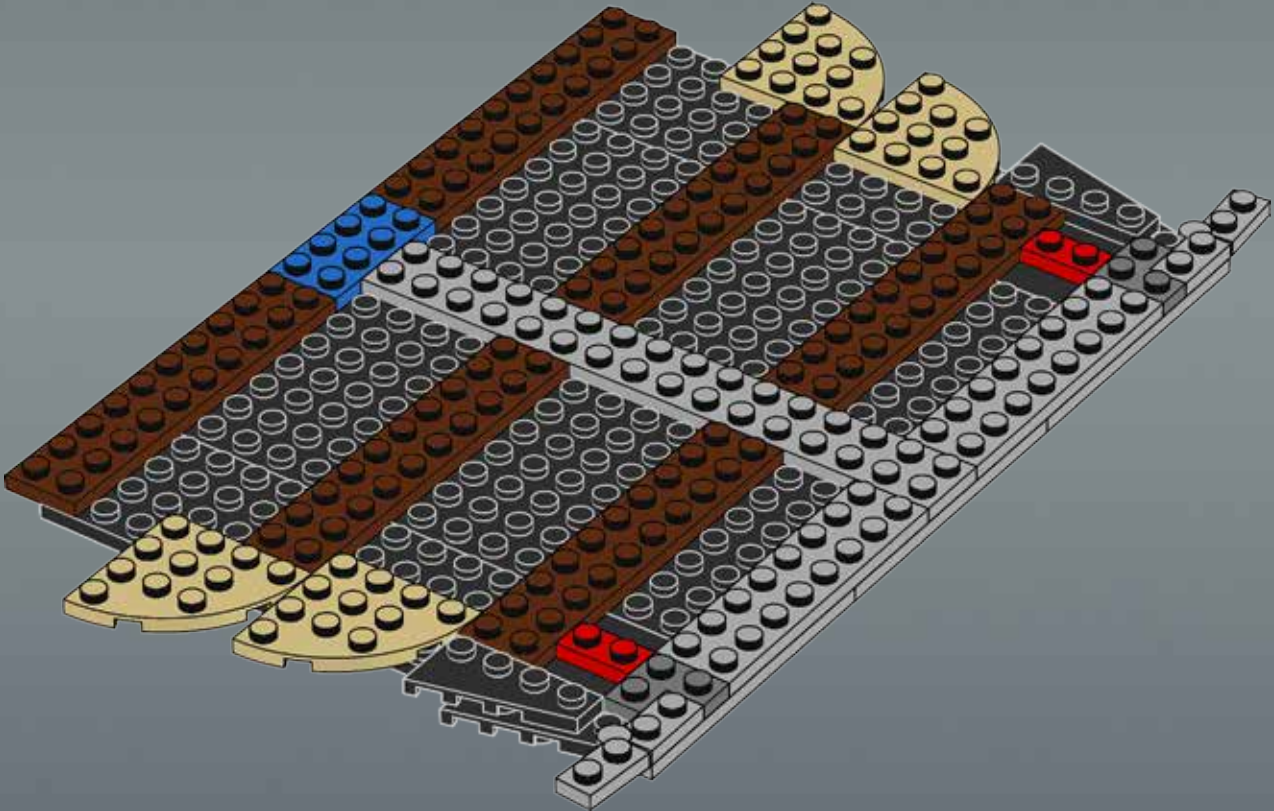


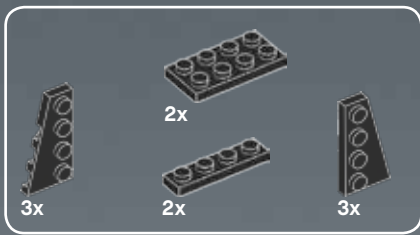
9



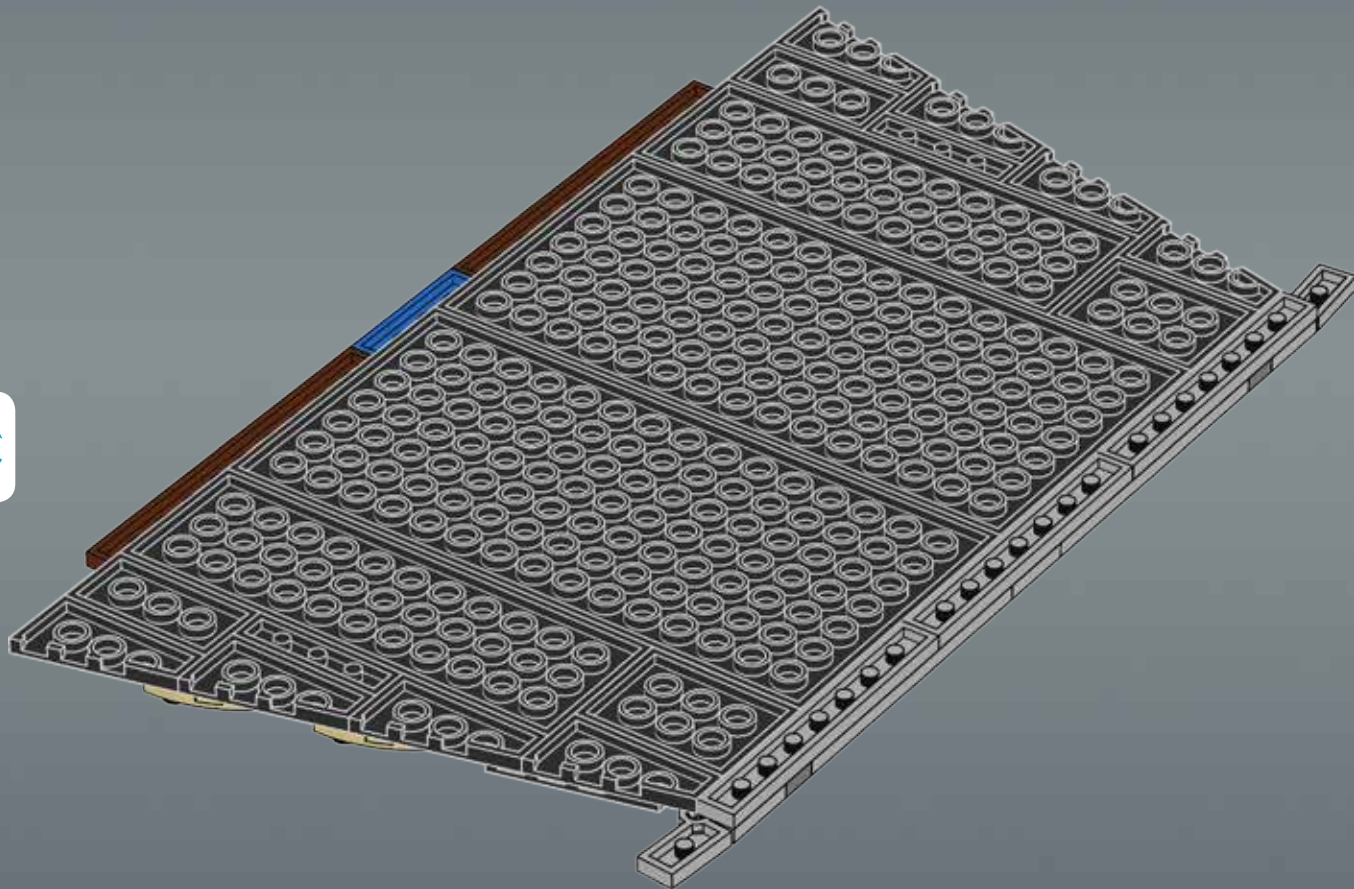


10



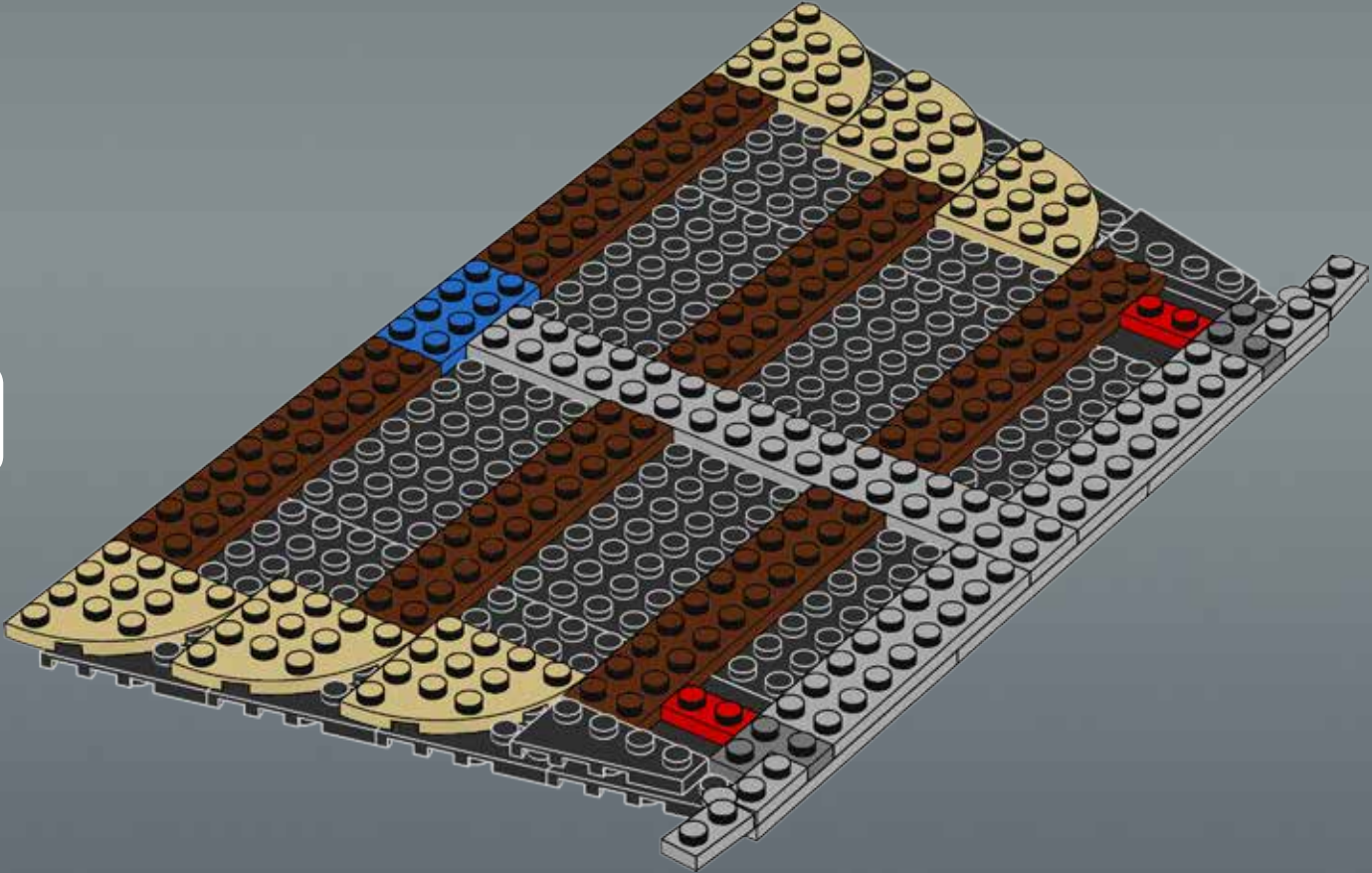


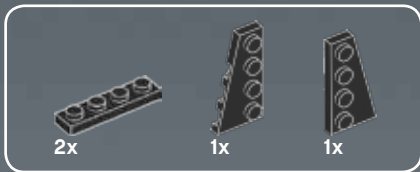
11



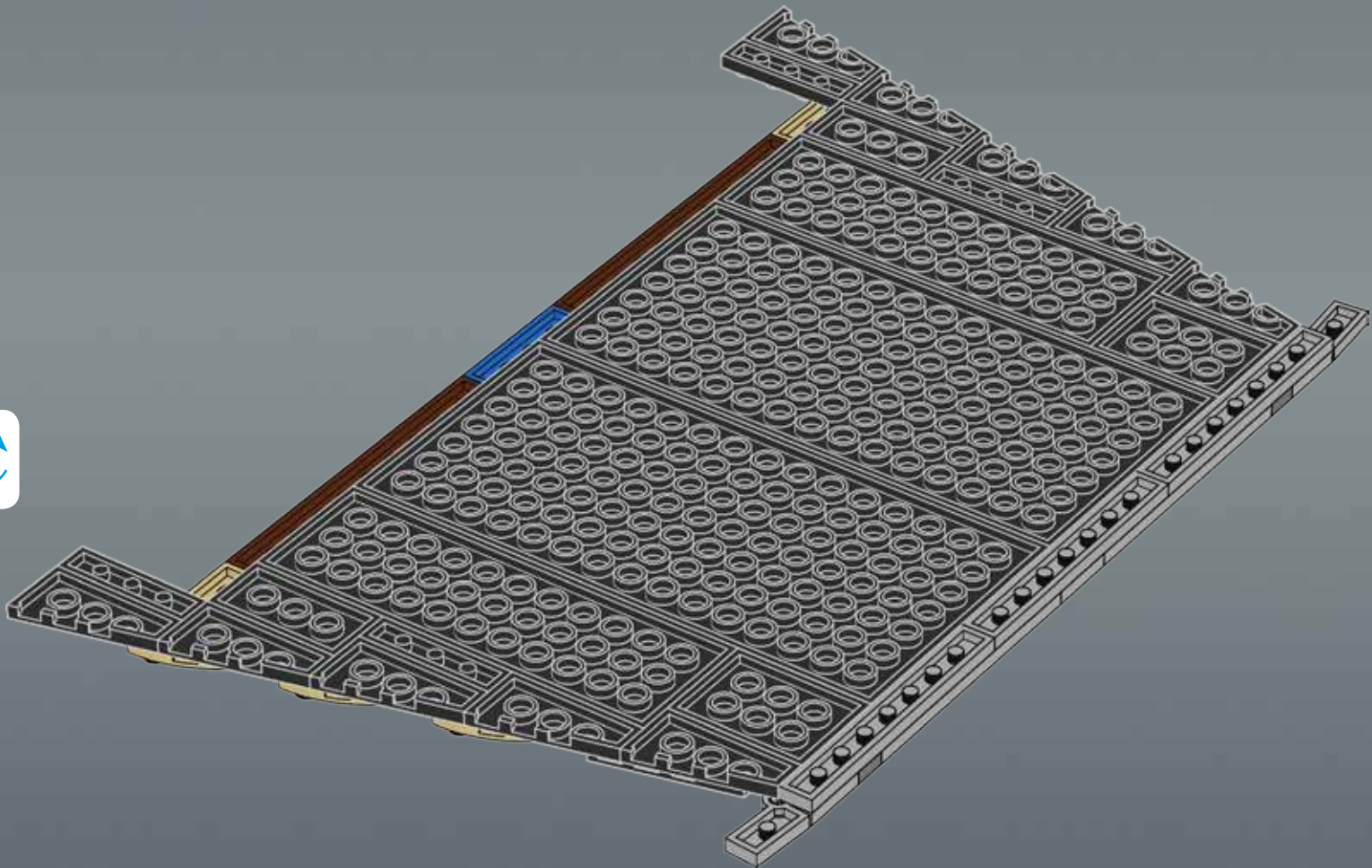


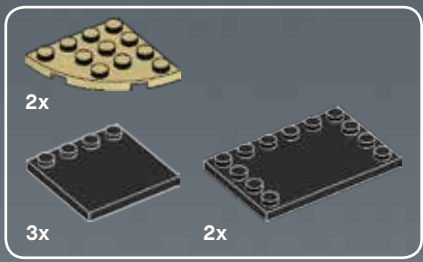
12



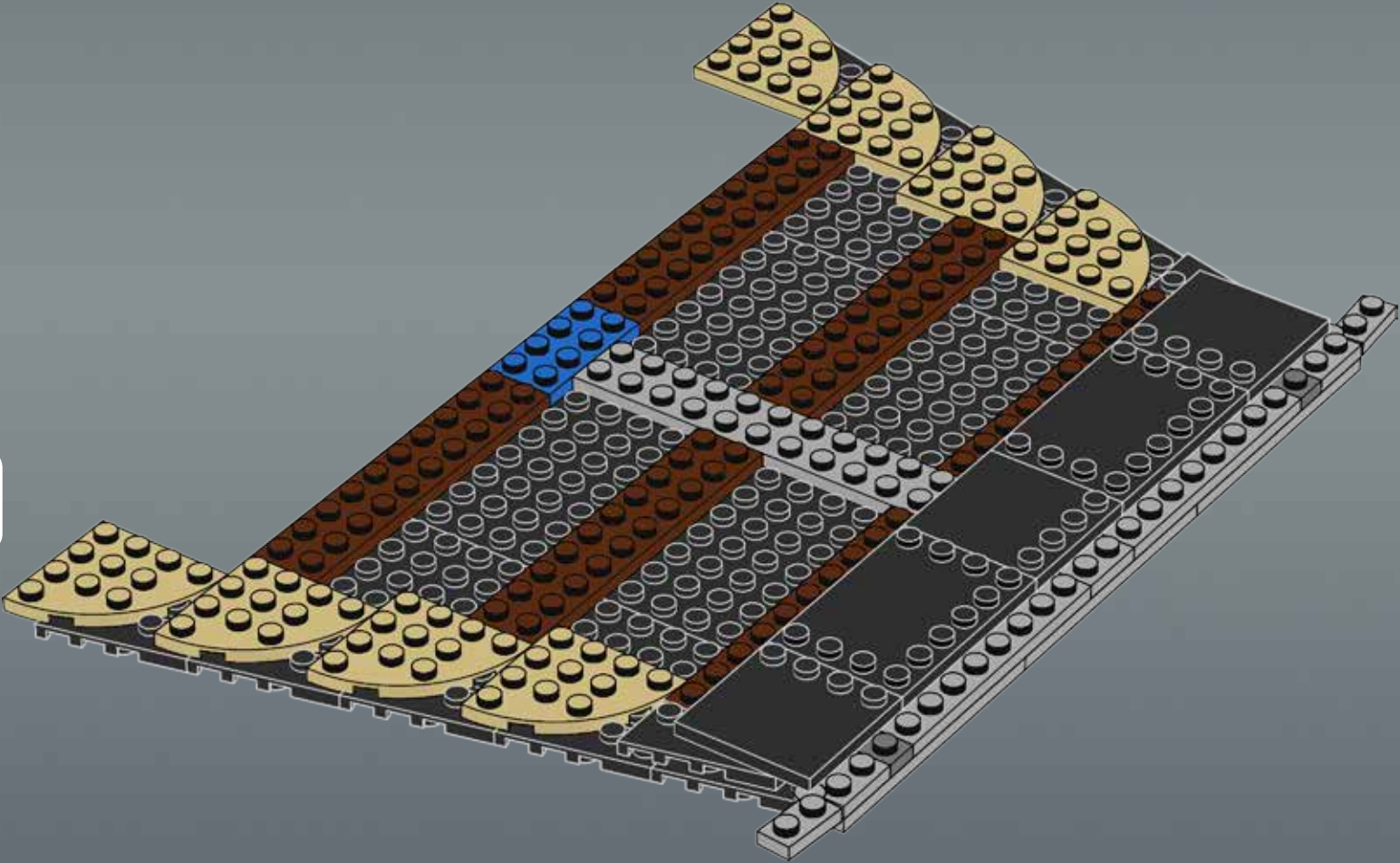


13



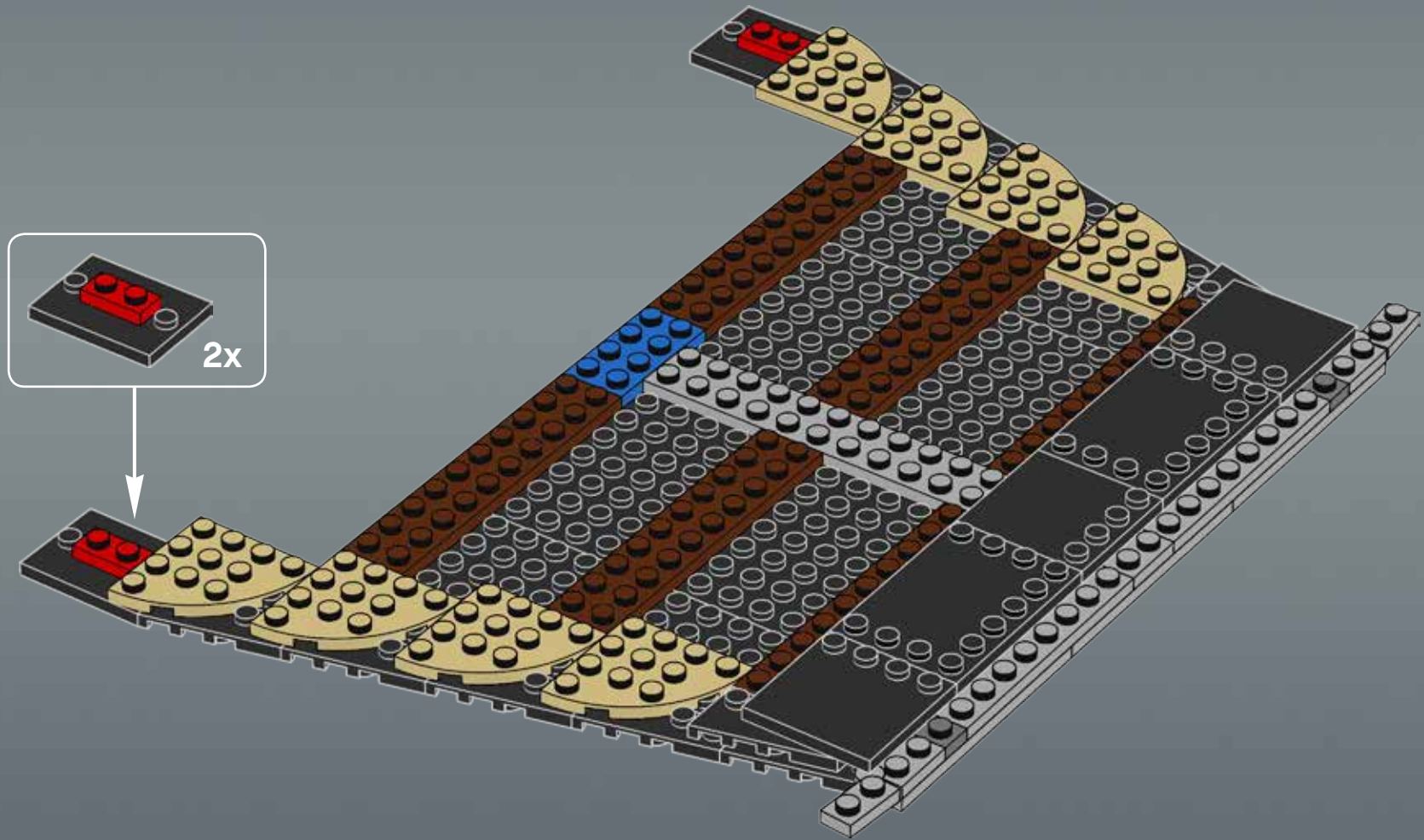


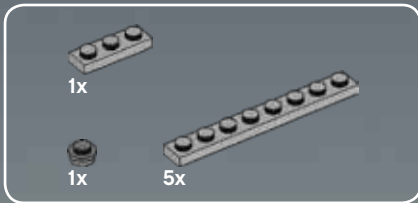
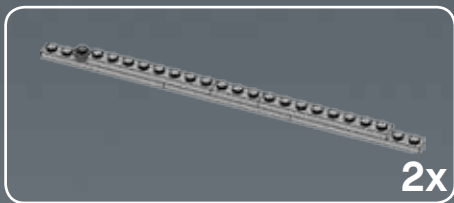
14



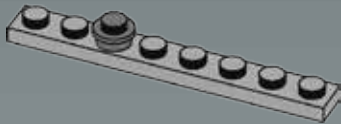


15

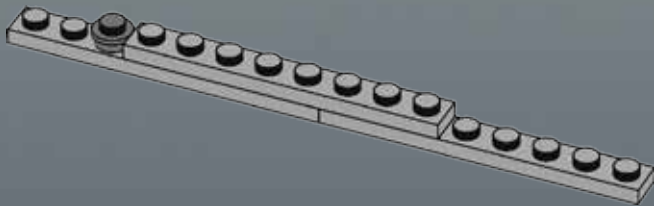




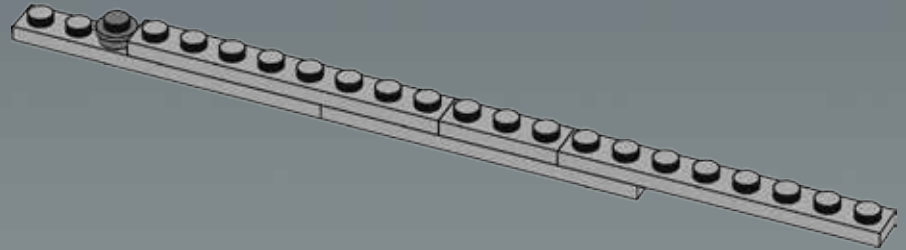
1



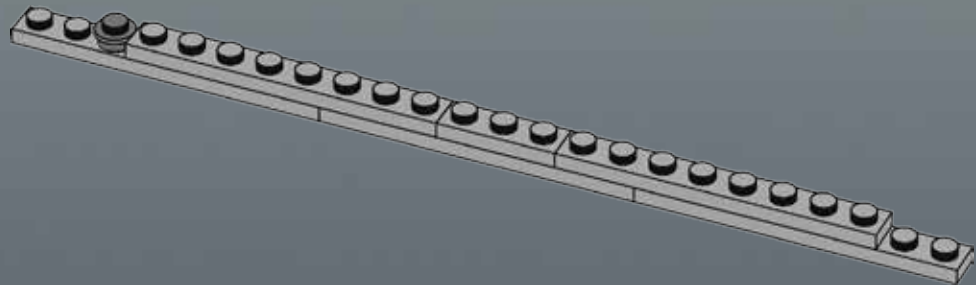
2



3

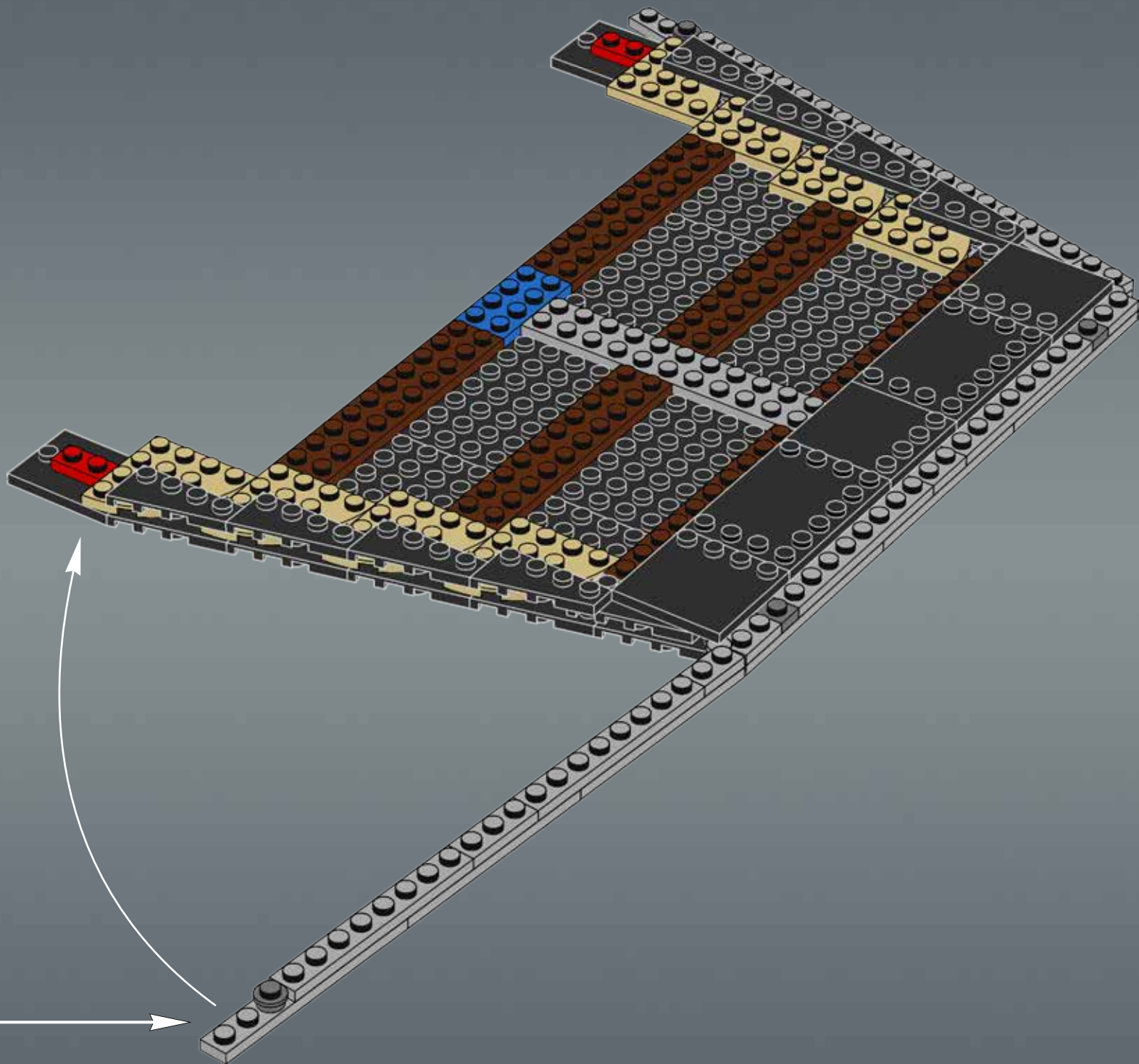


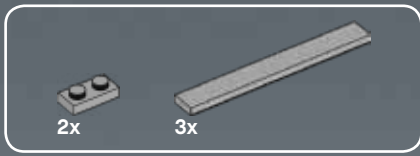
4



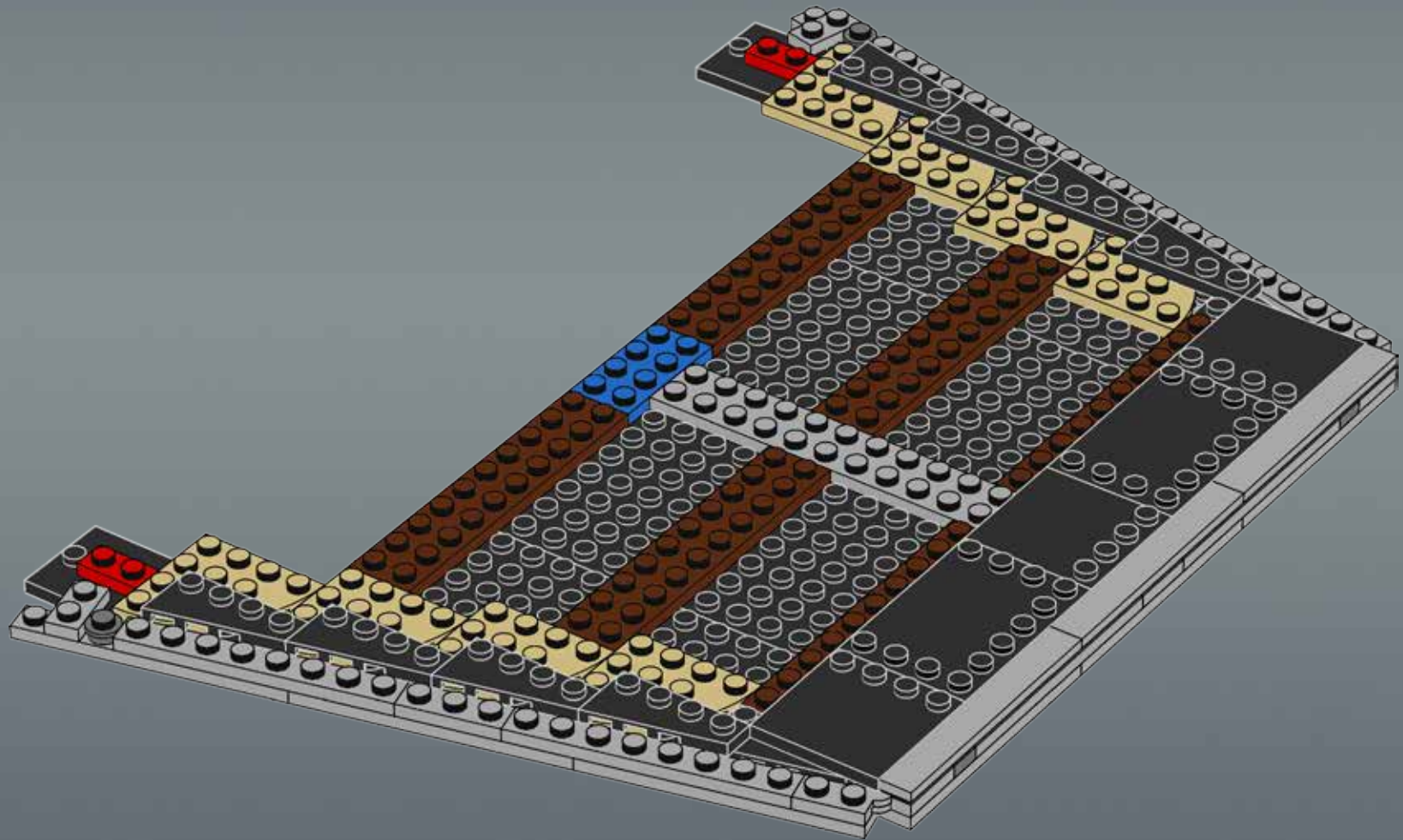
2x
75

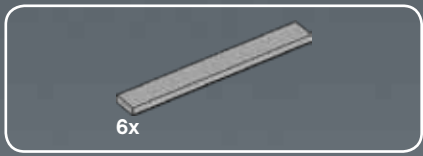
17



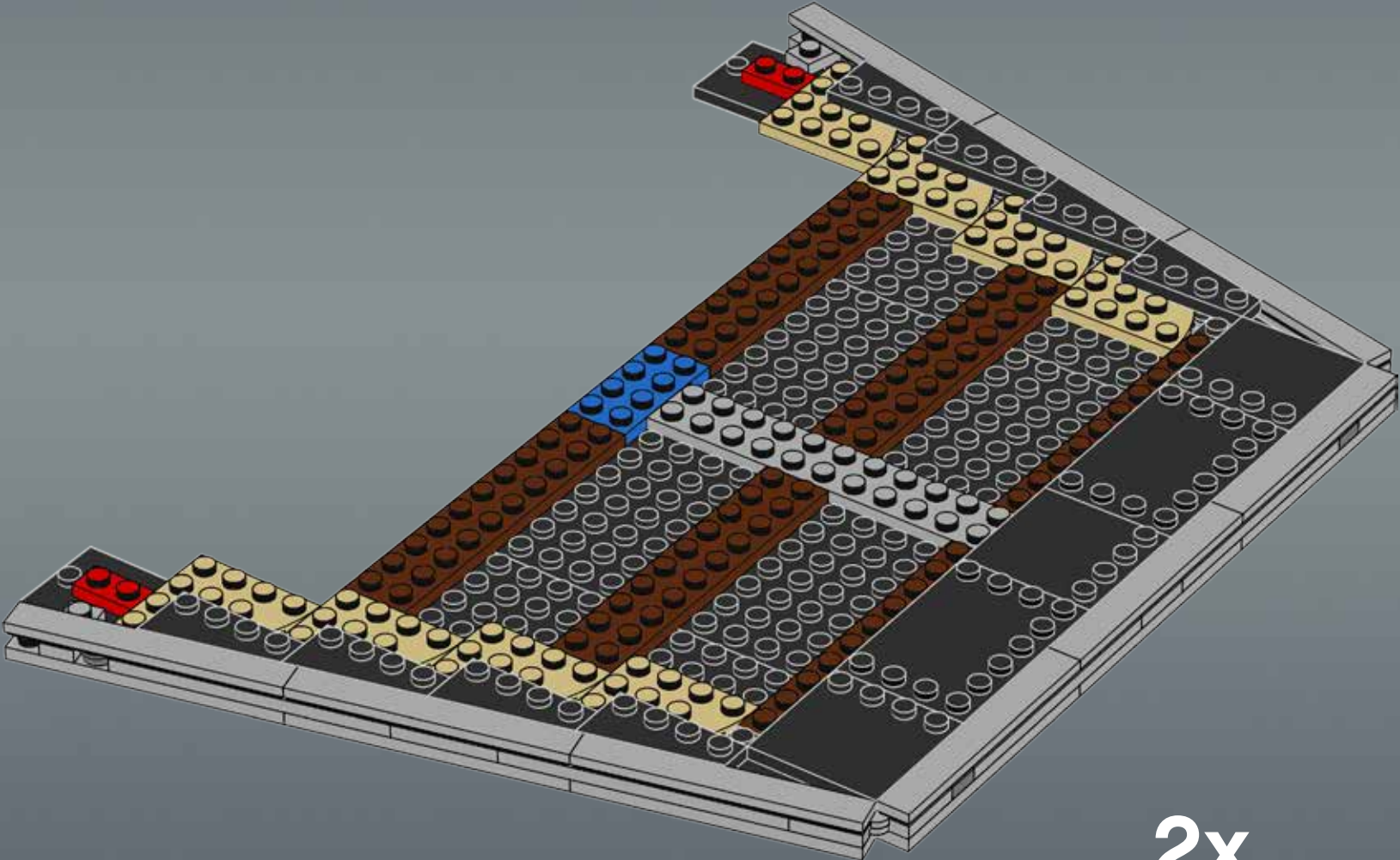


18

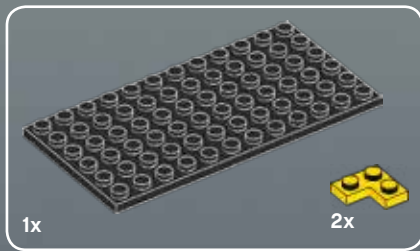
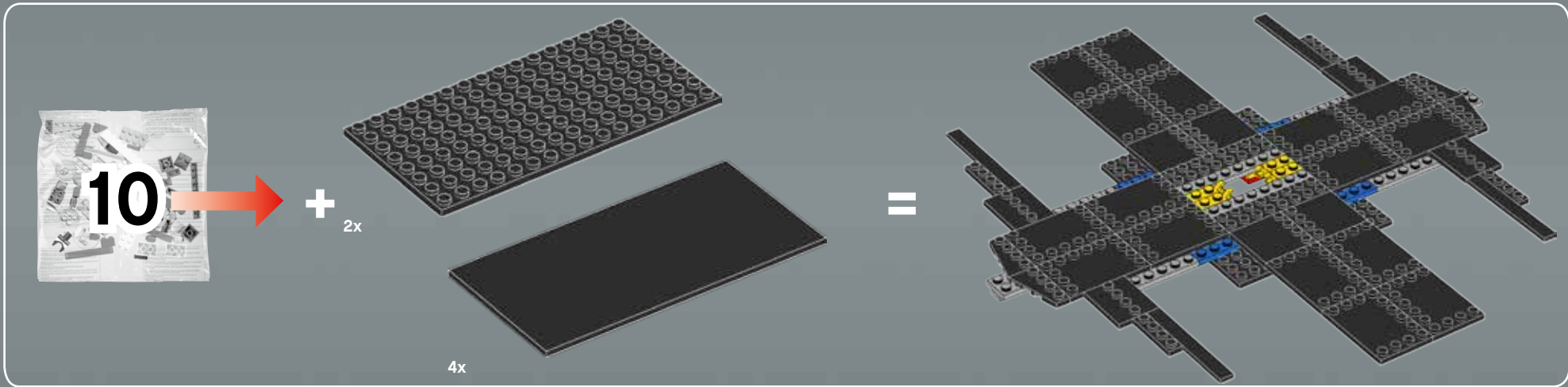
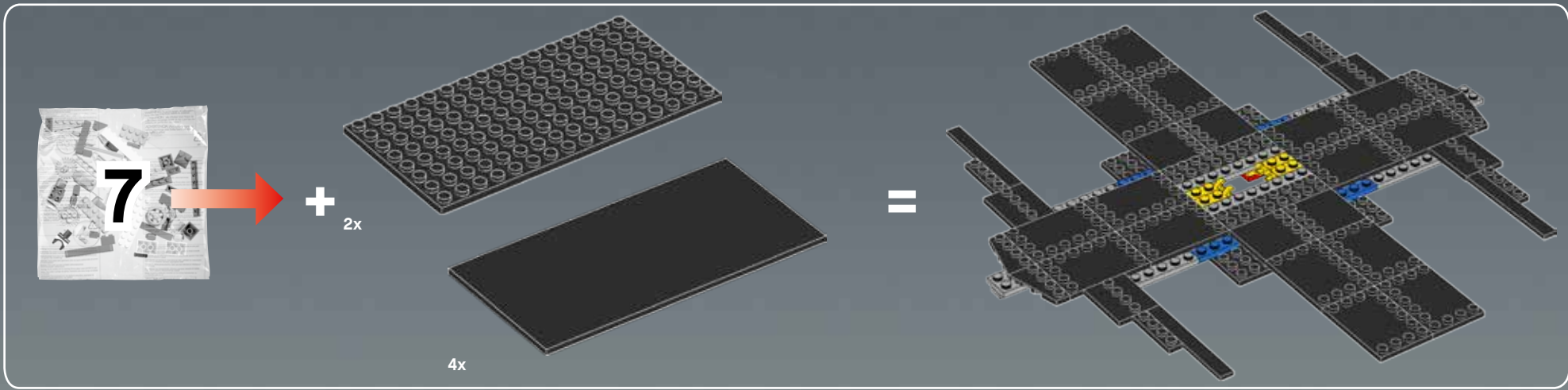




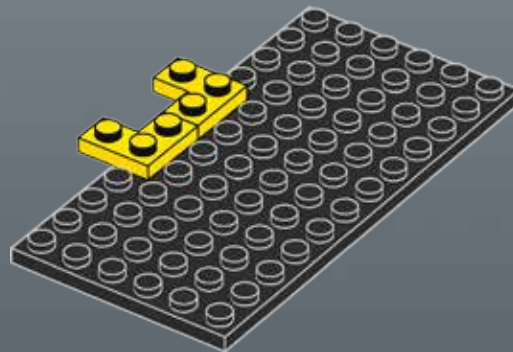
19

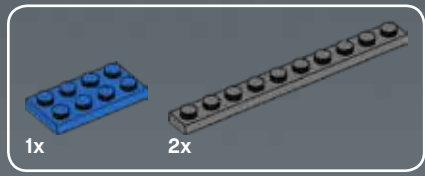


2x

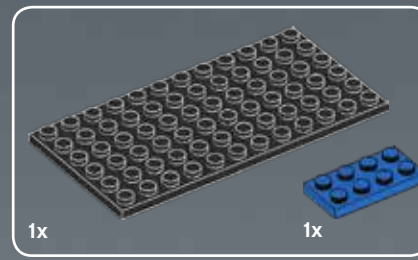
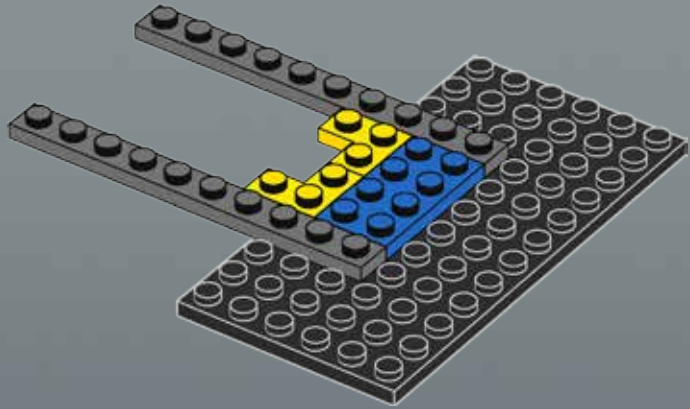


1

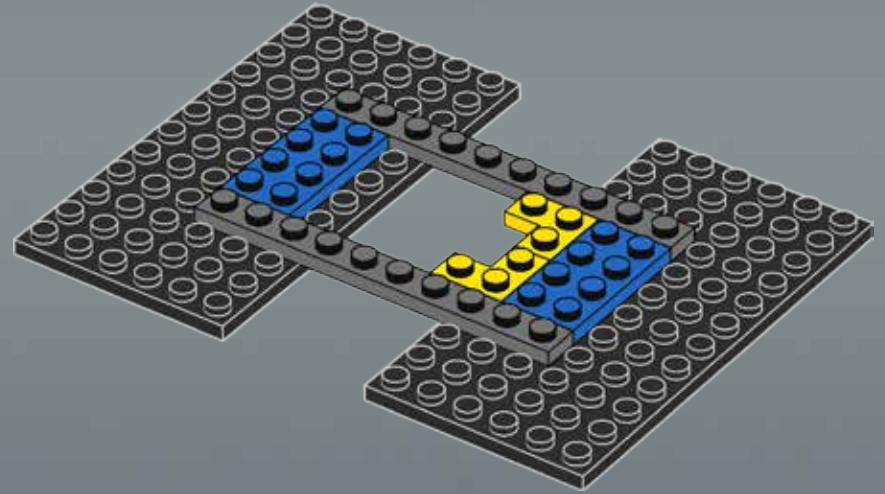


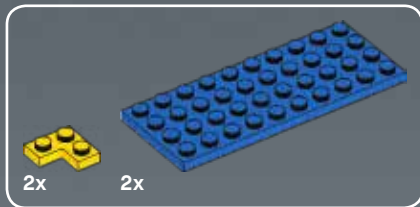


2

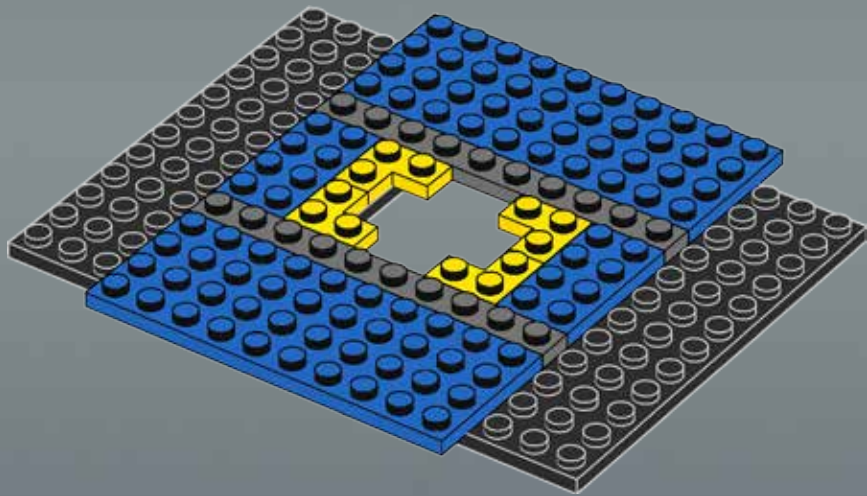


3

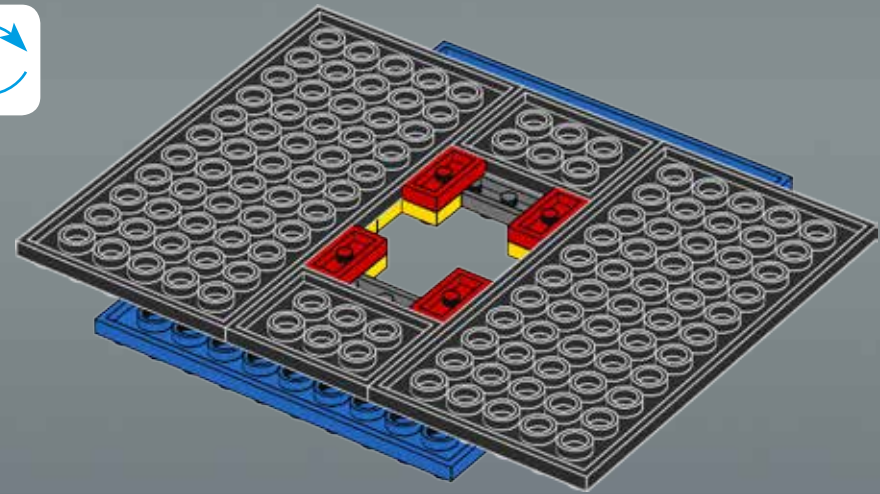


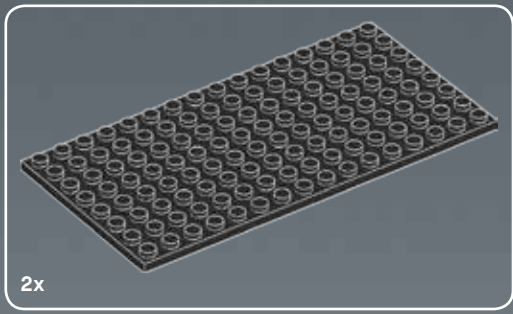


4

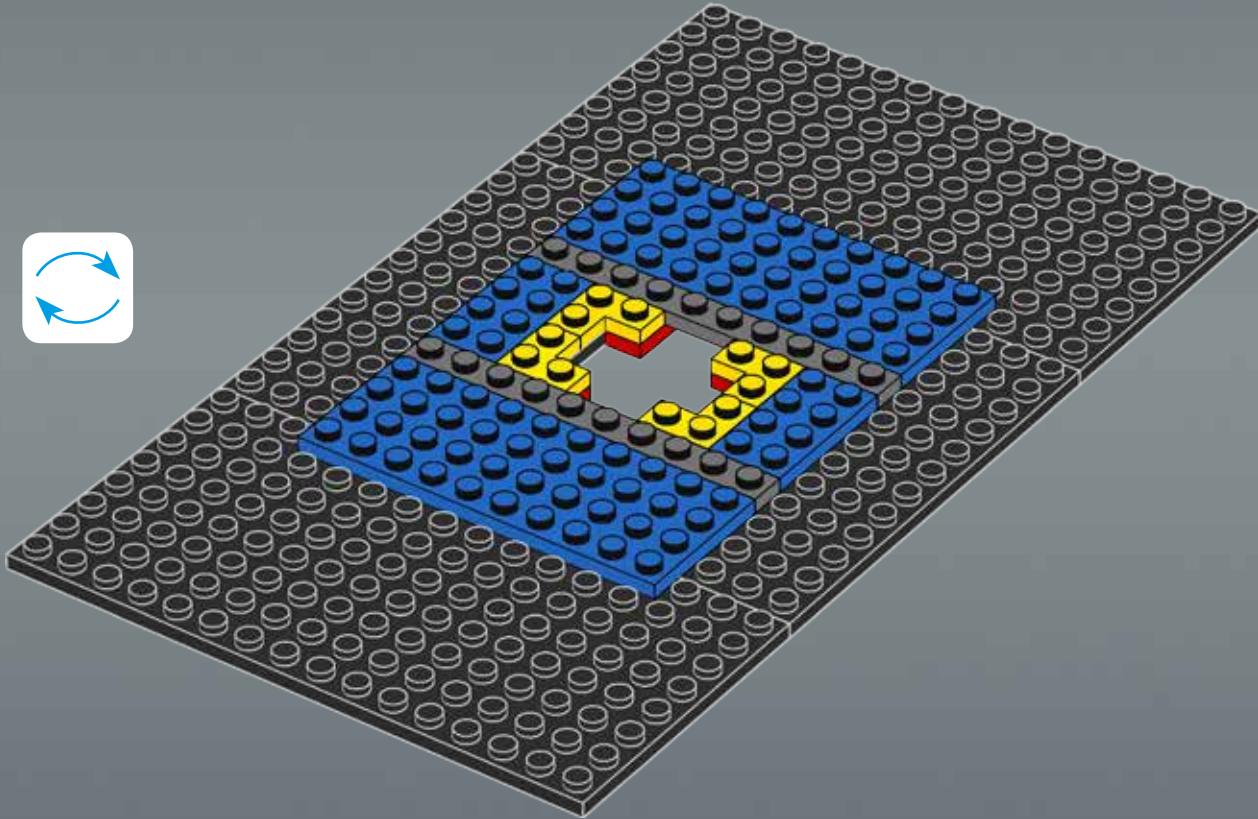


5



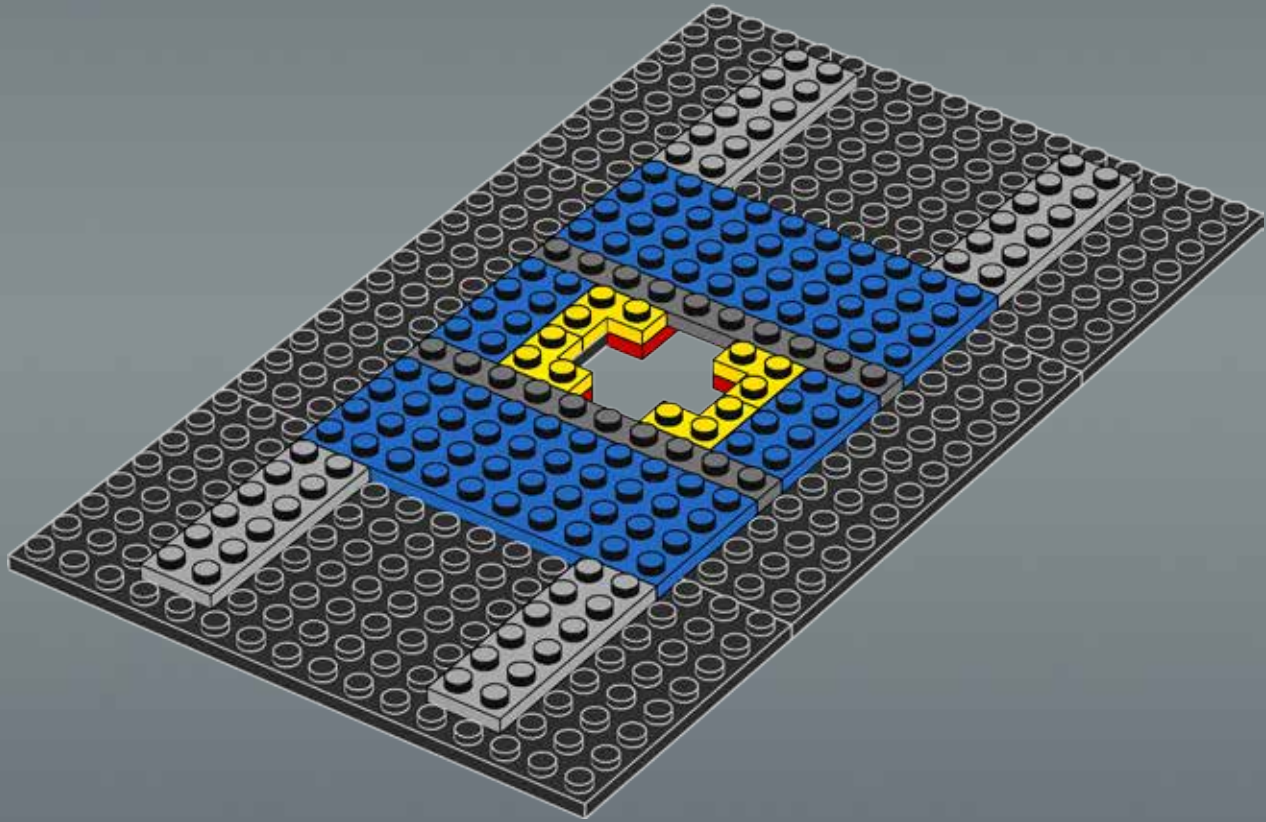


6

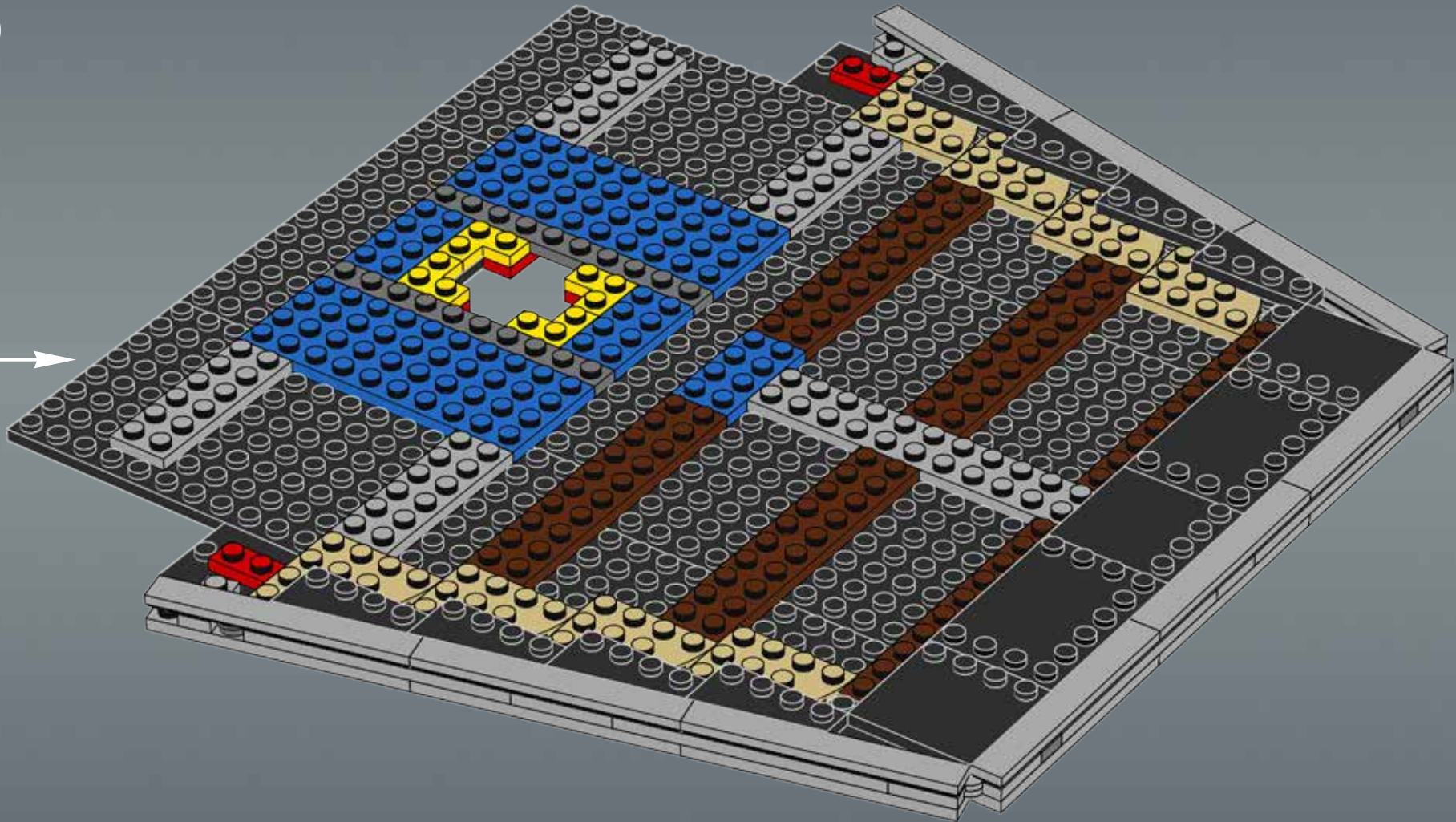




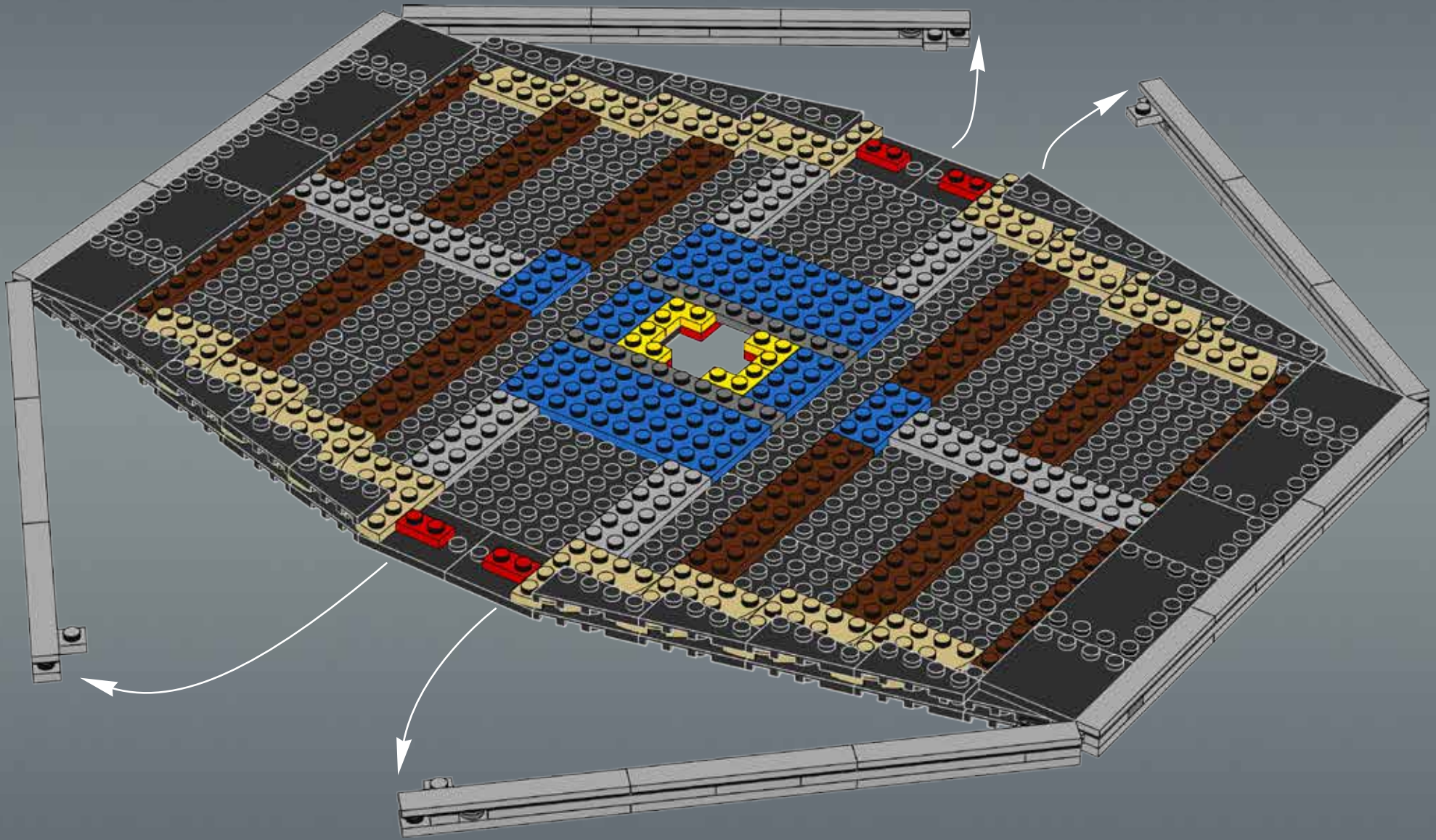
7

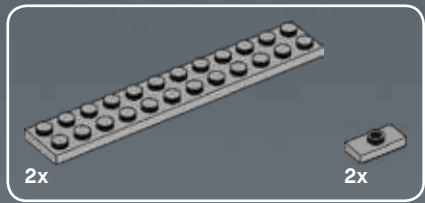


20

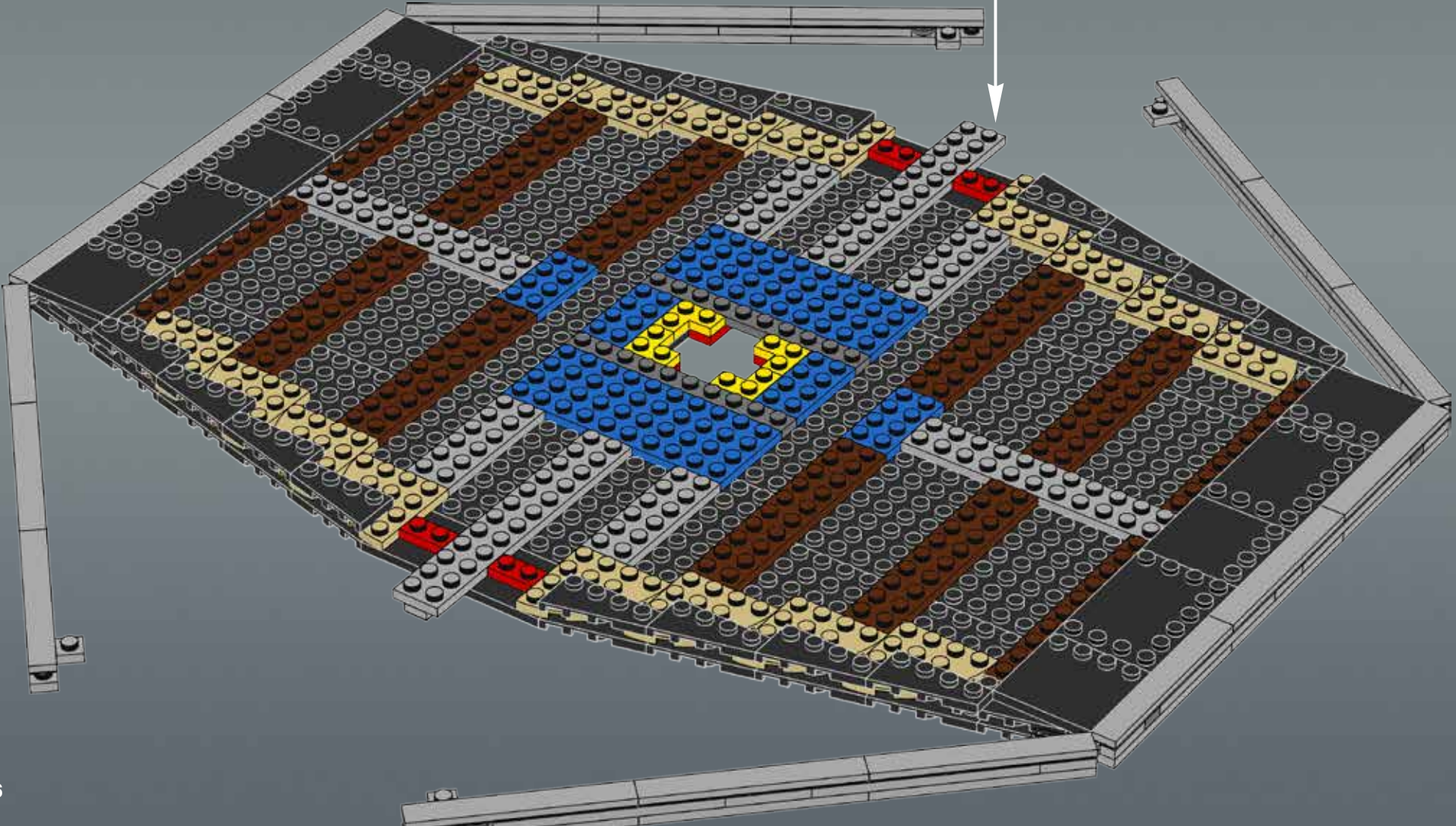
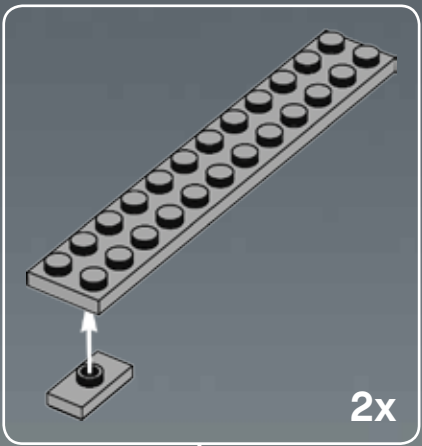


21



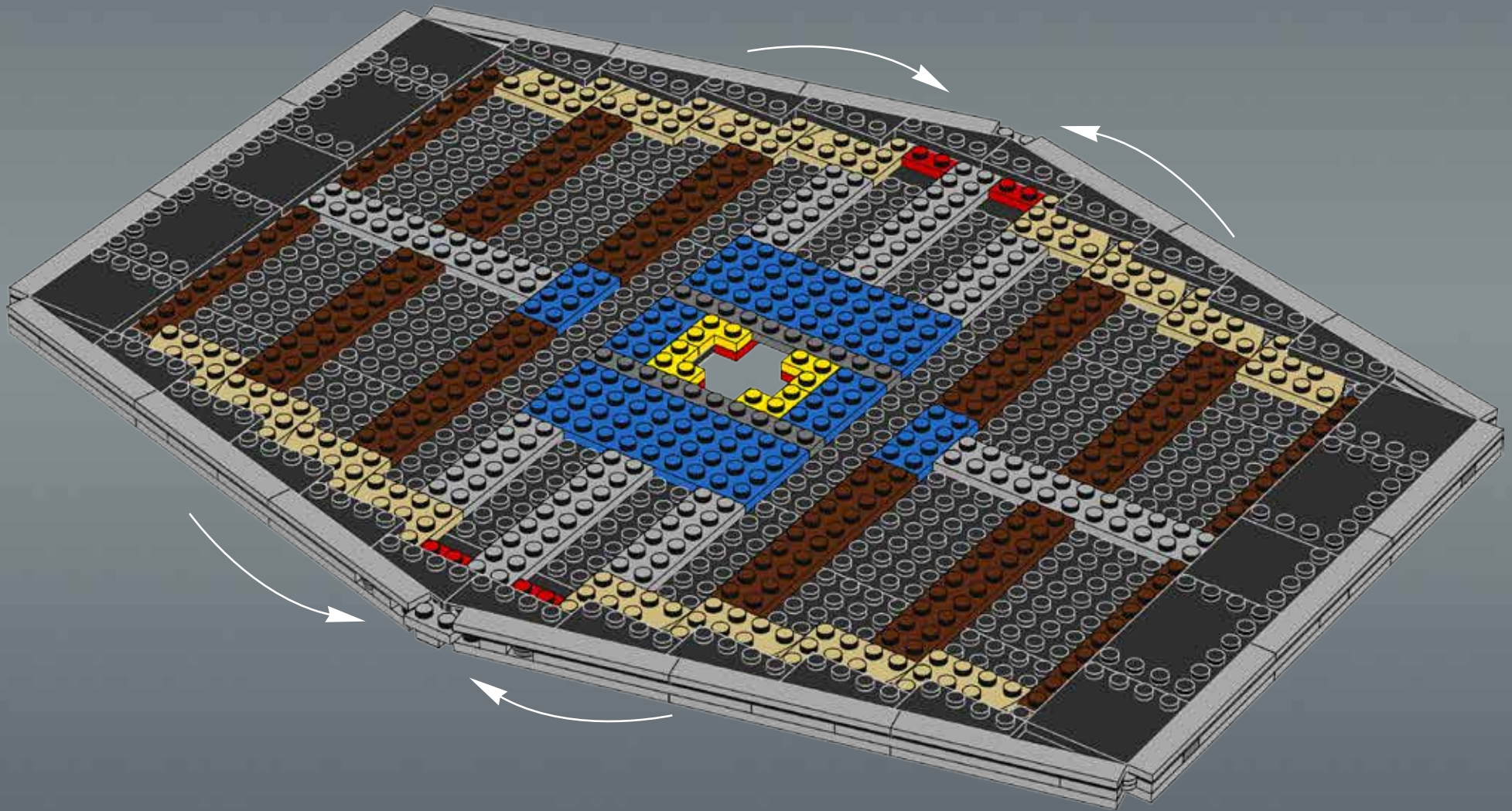


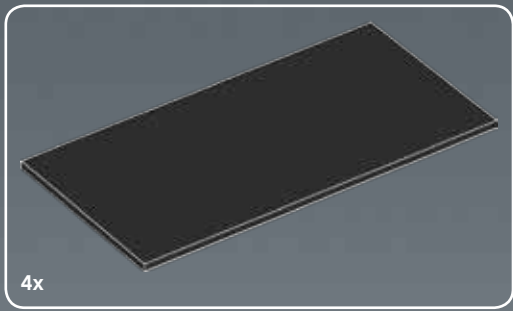
22





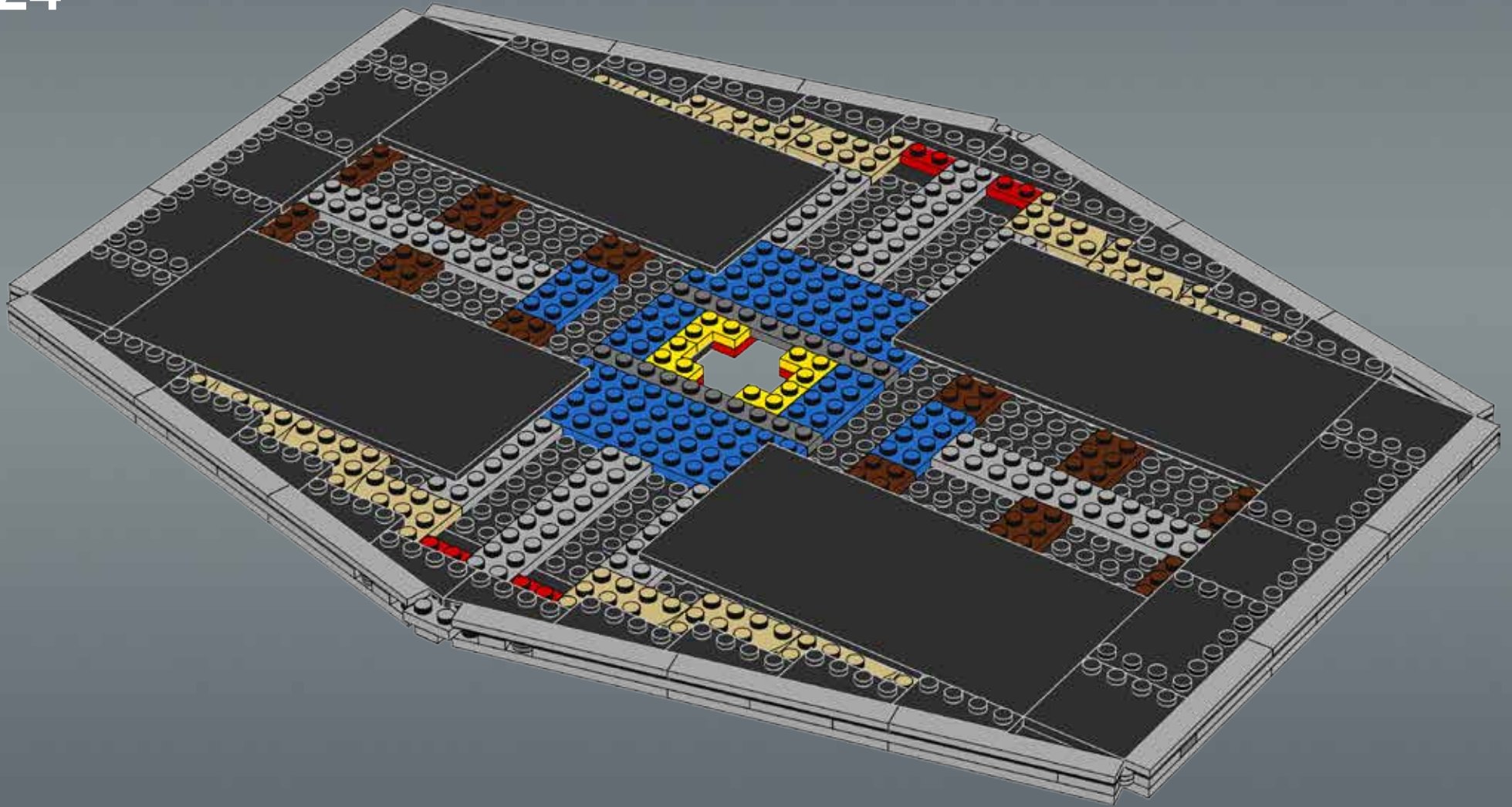
23

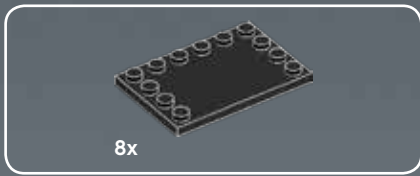




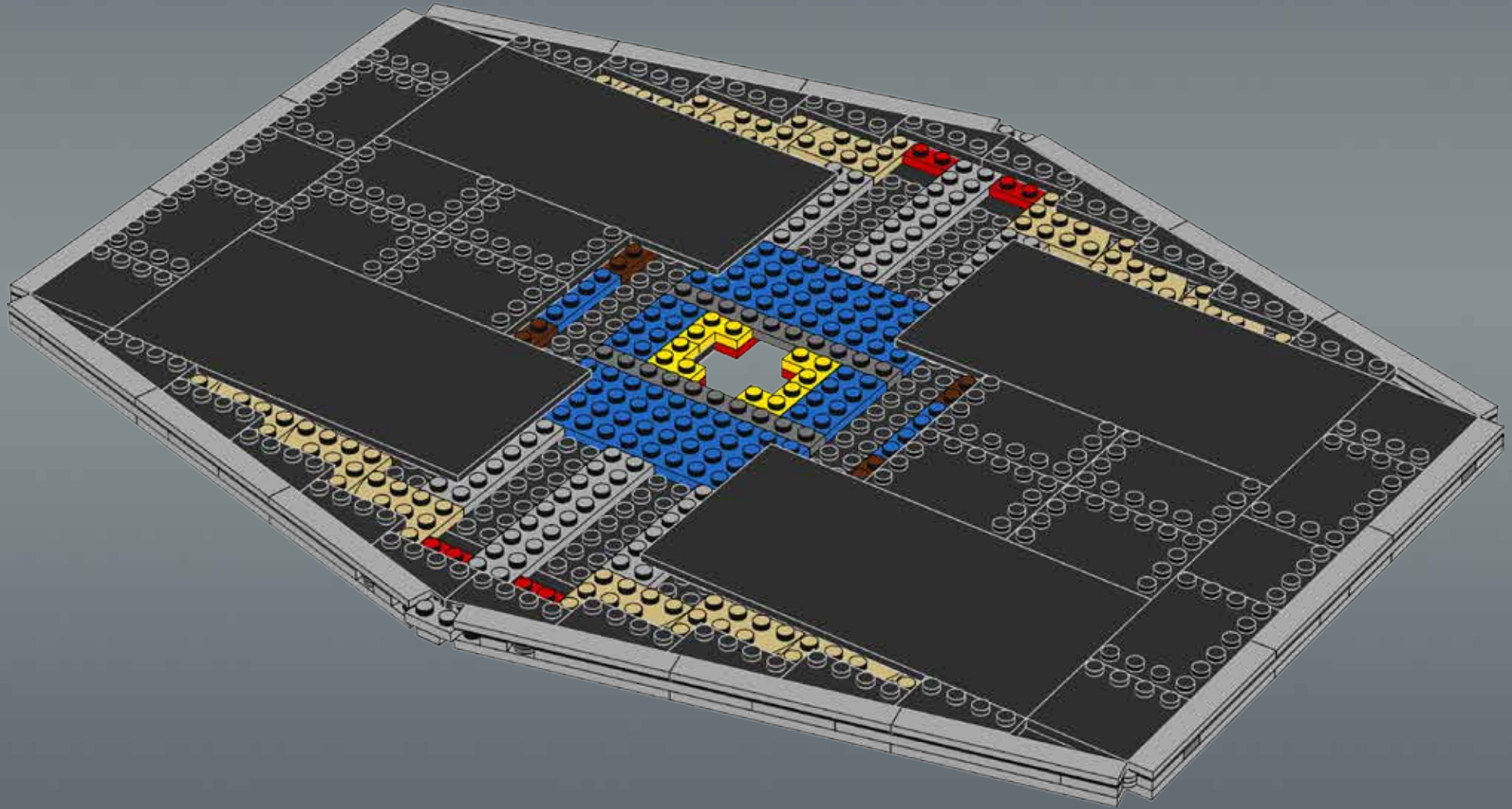
4x

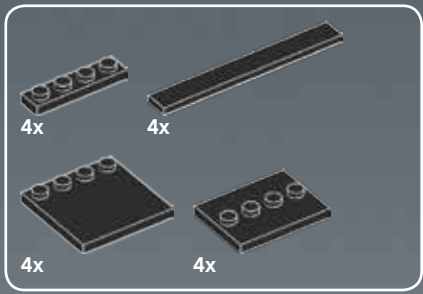
24



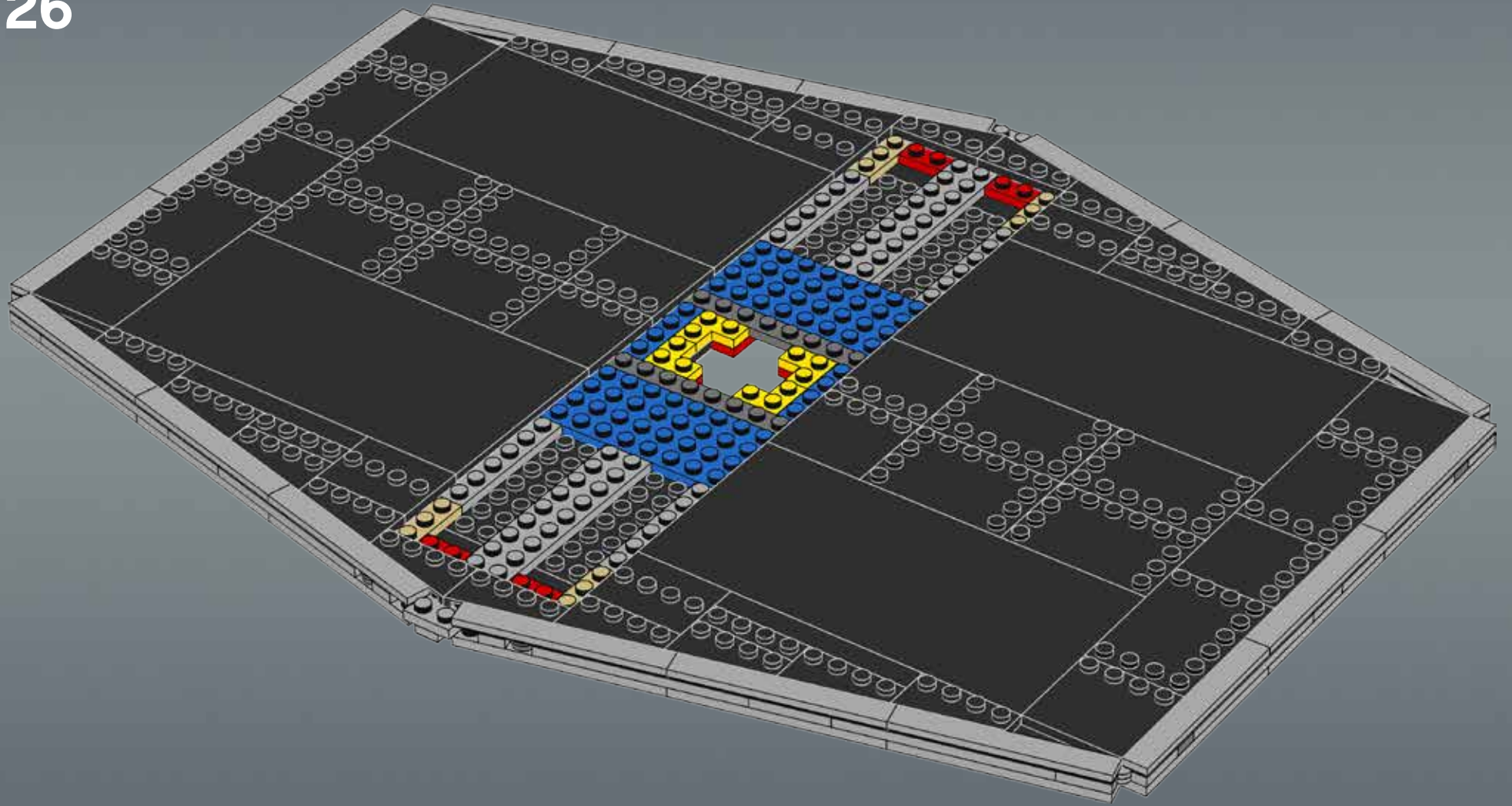


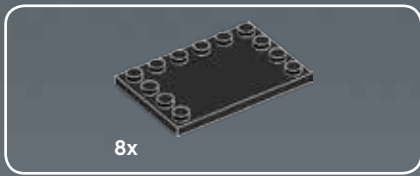
25



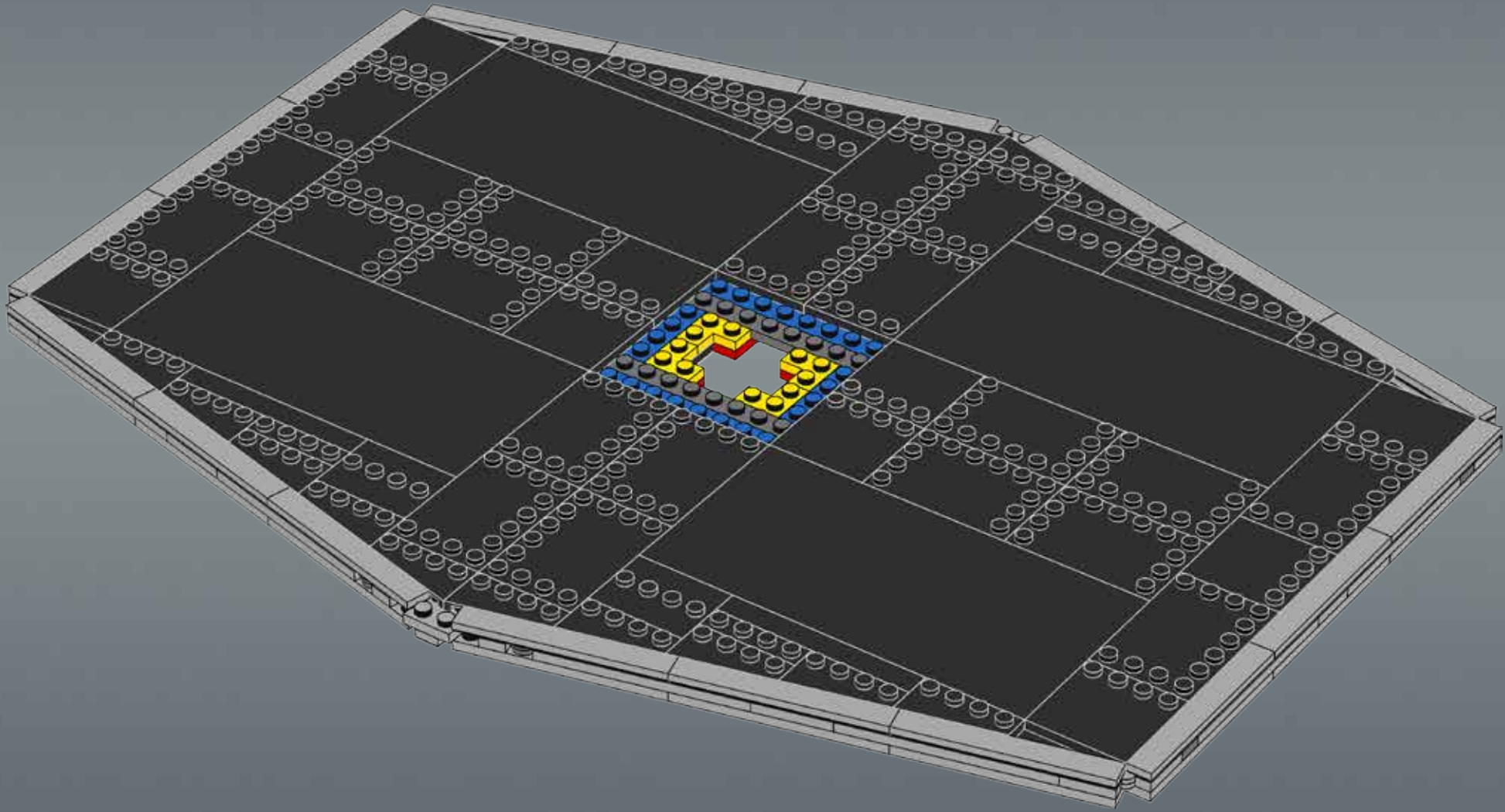


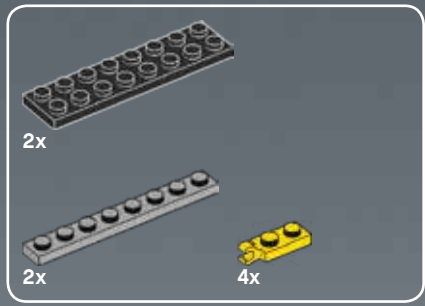
26



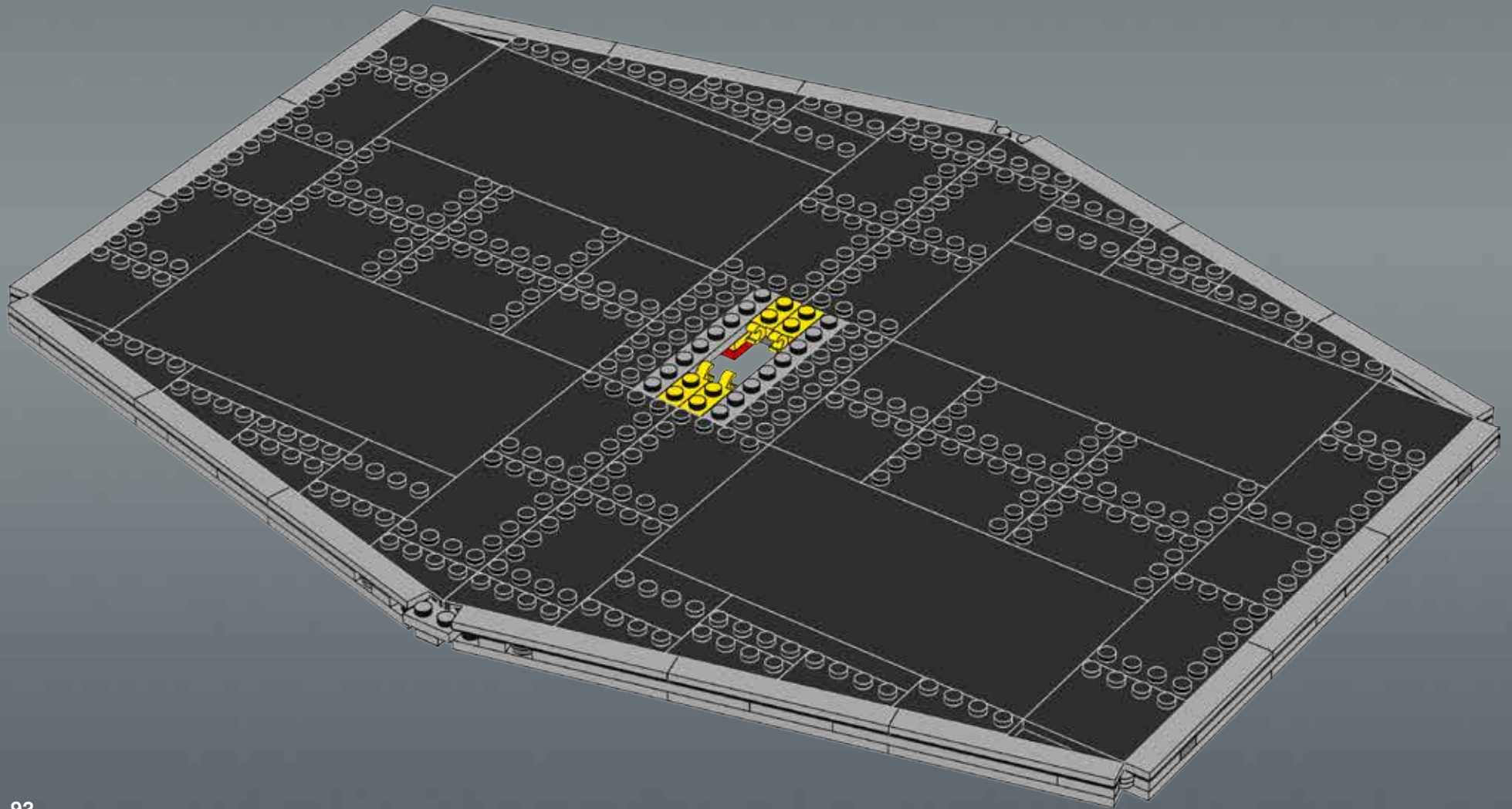


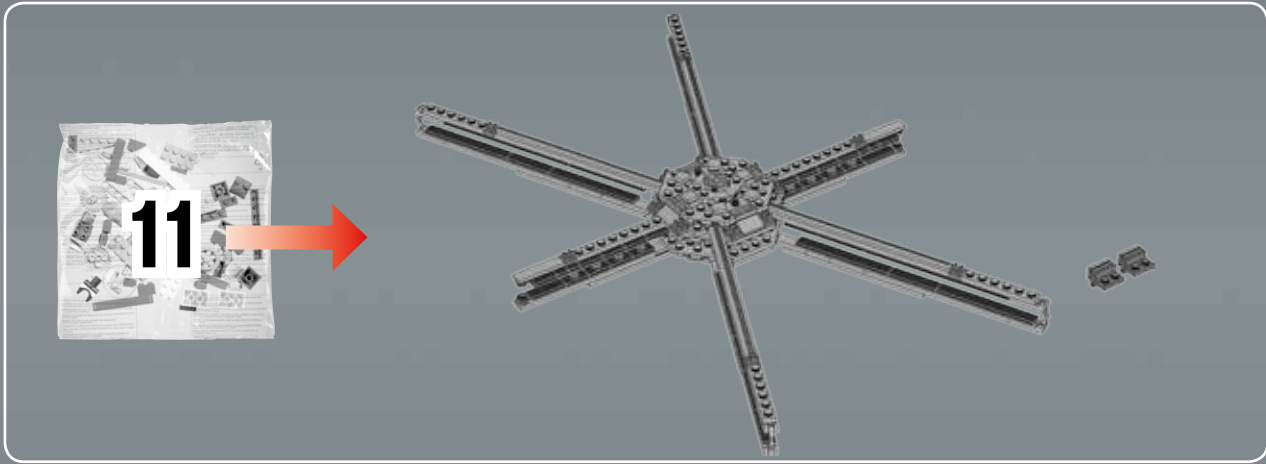
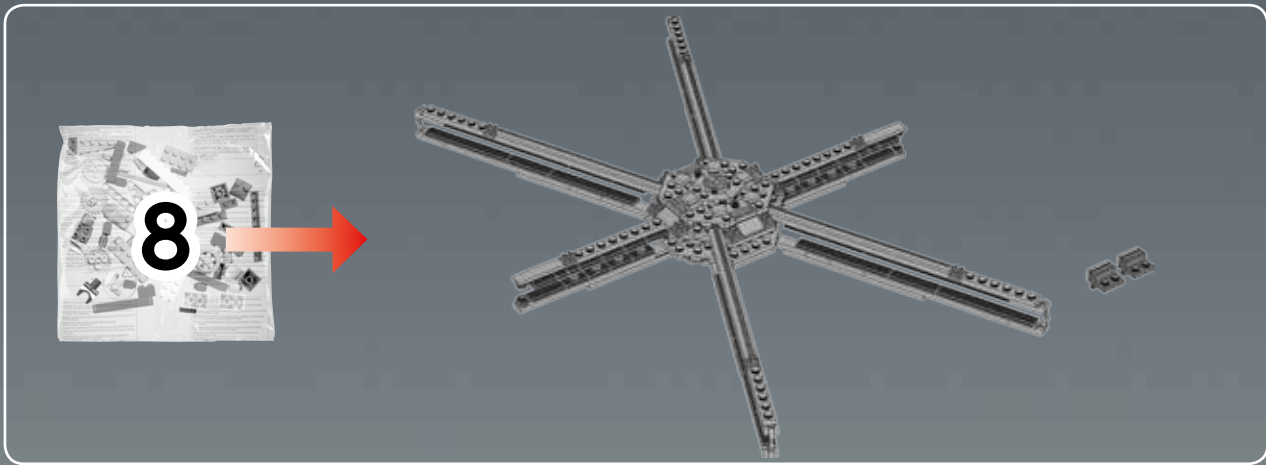
27





28





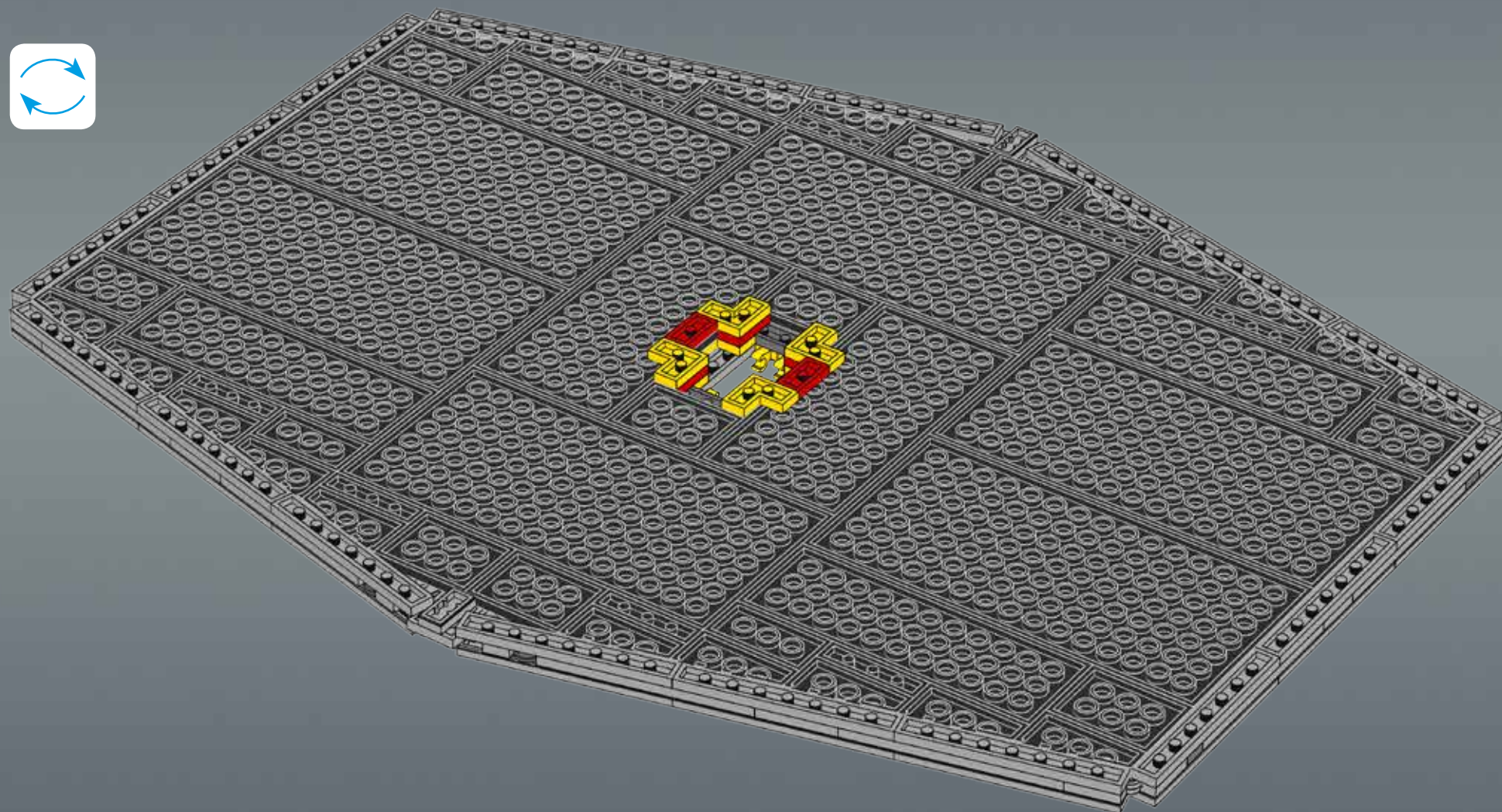


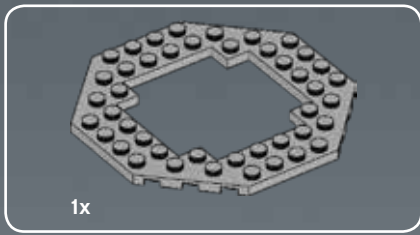
4x



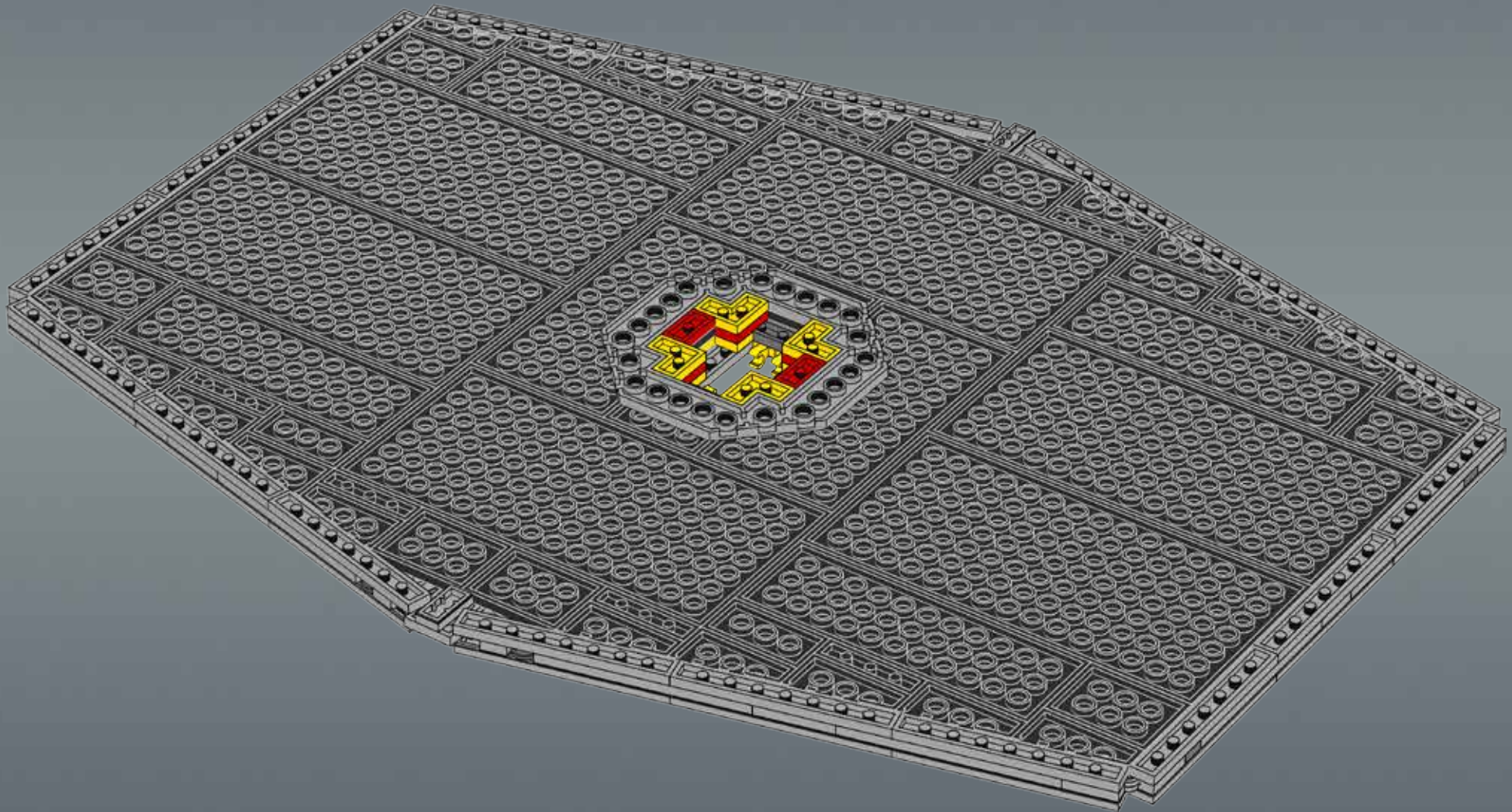
2x

29





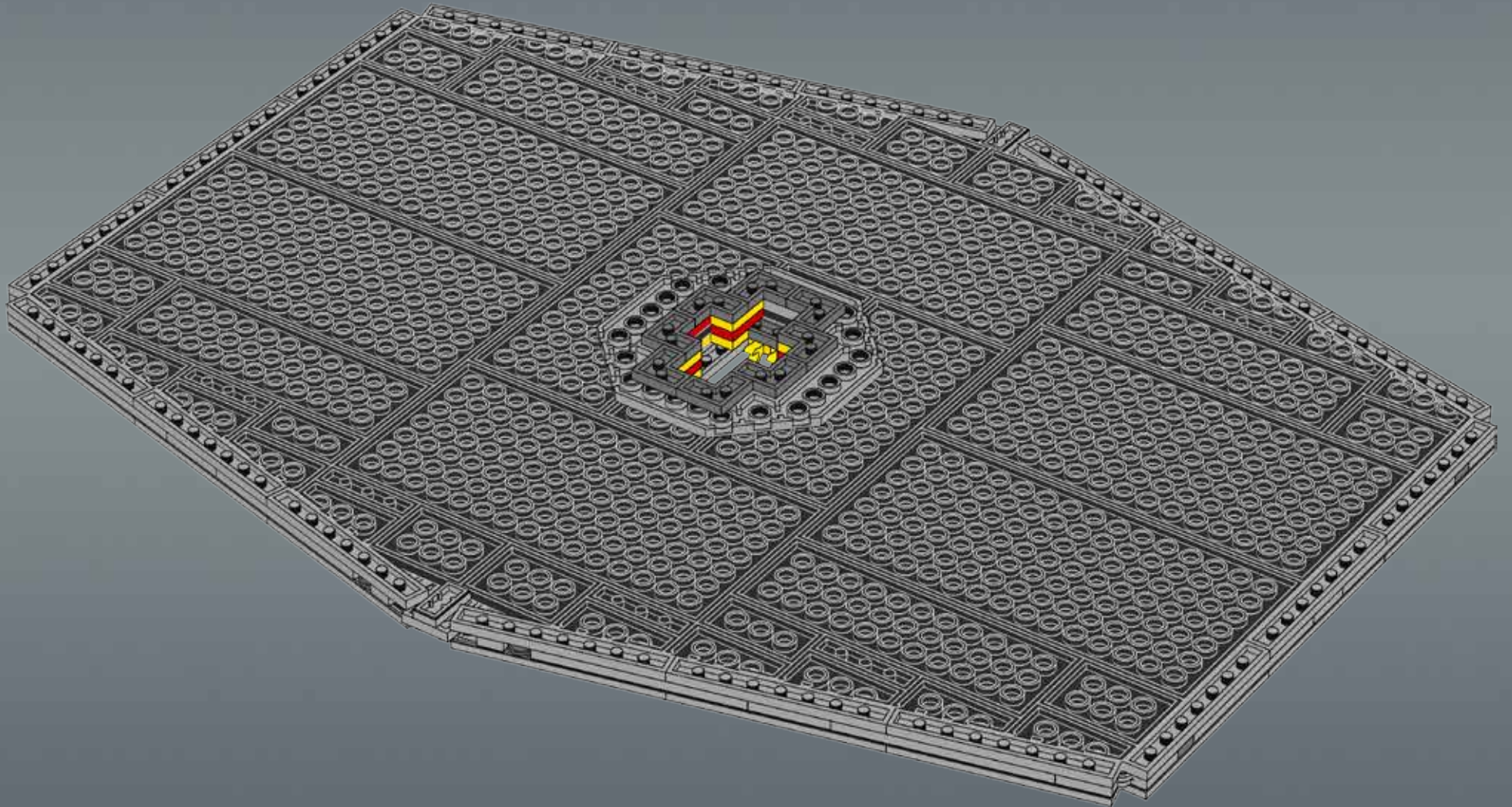
30





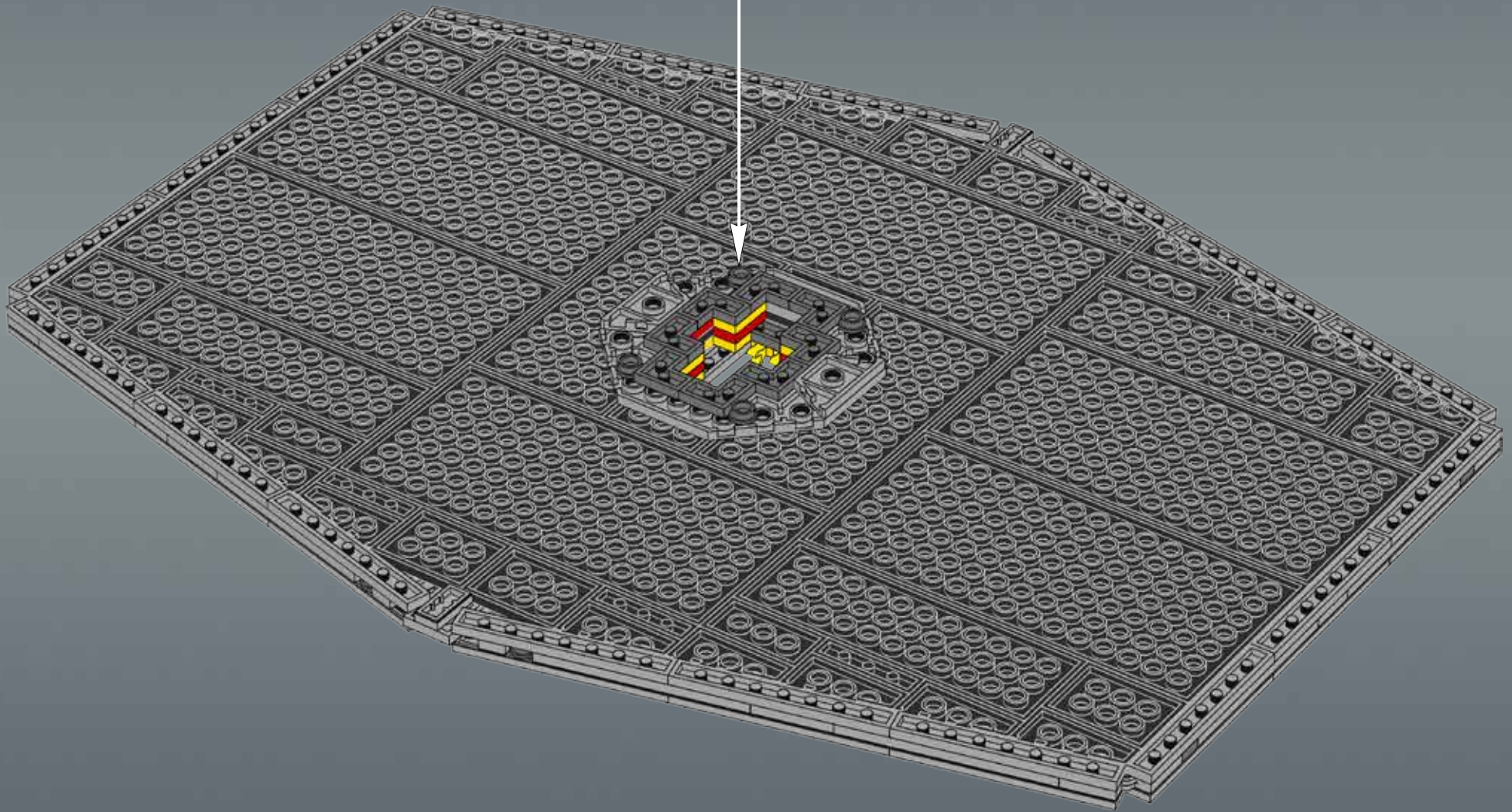
8x

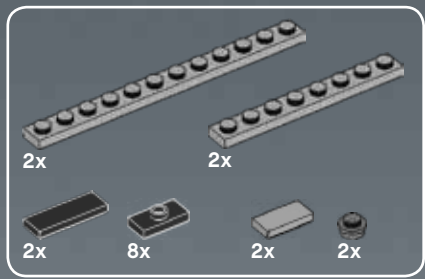
31



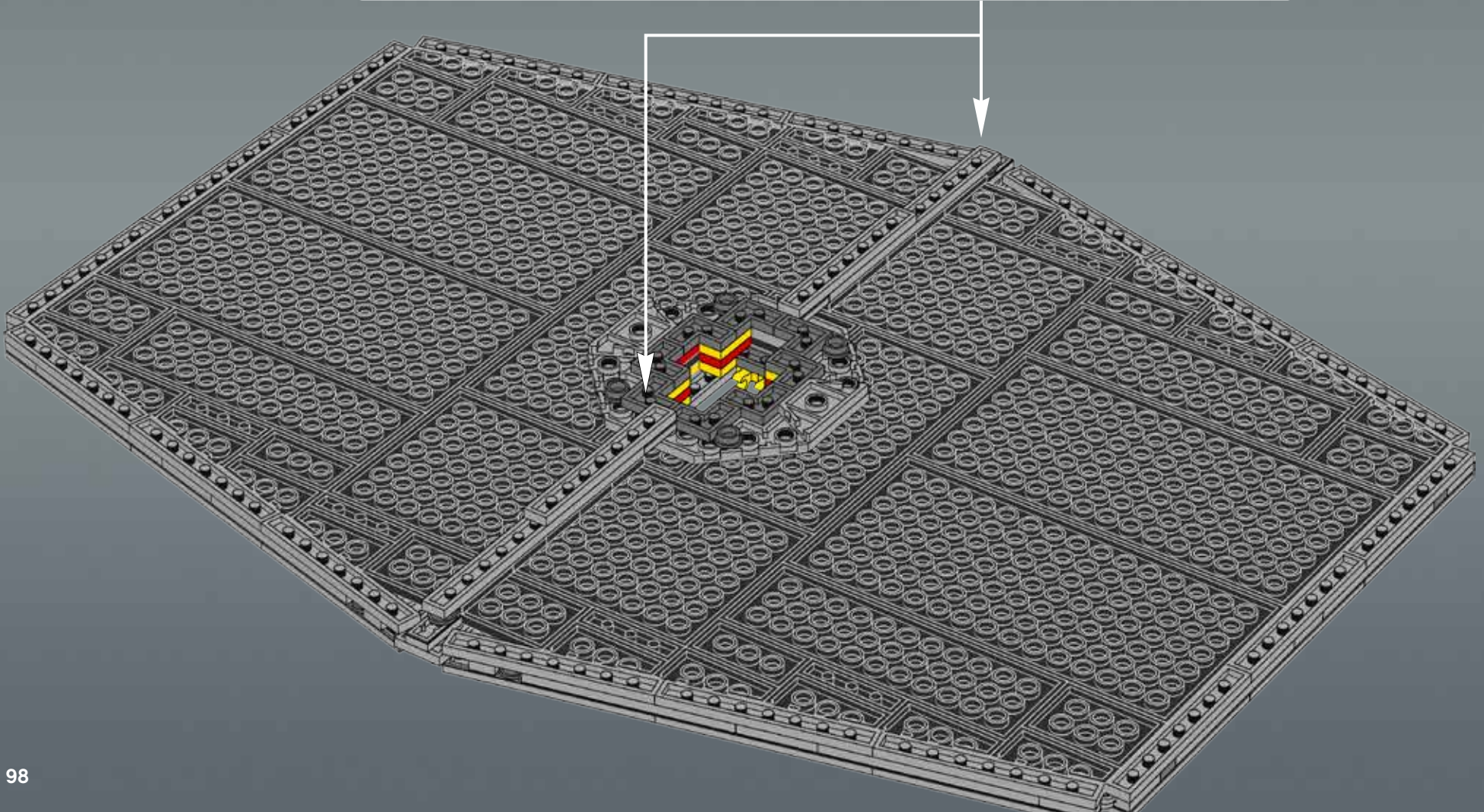
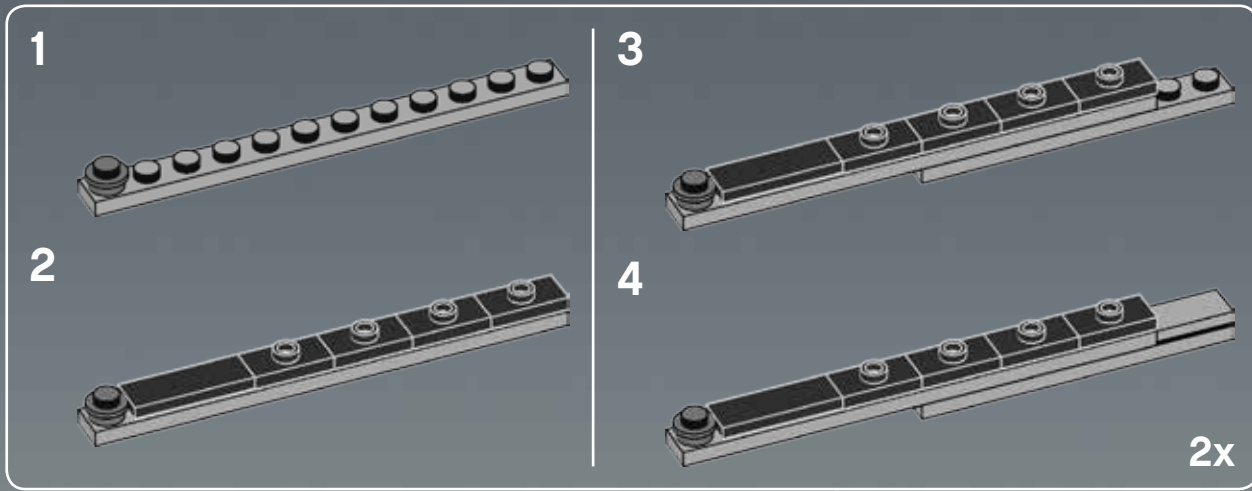


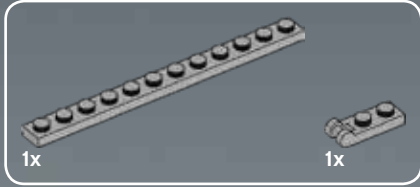
32



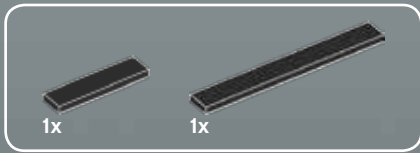
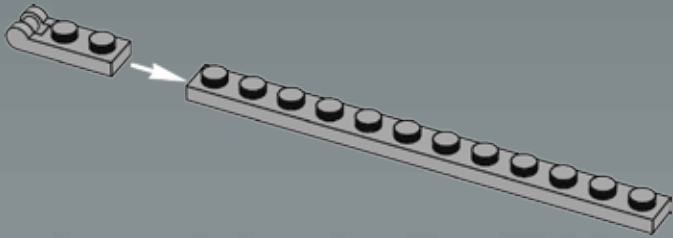


33

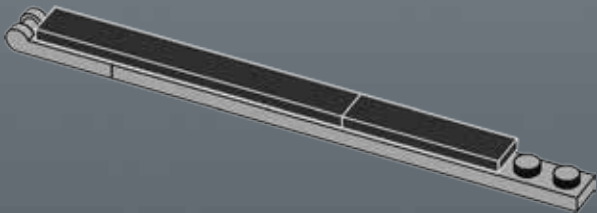




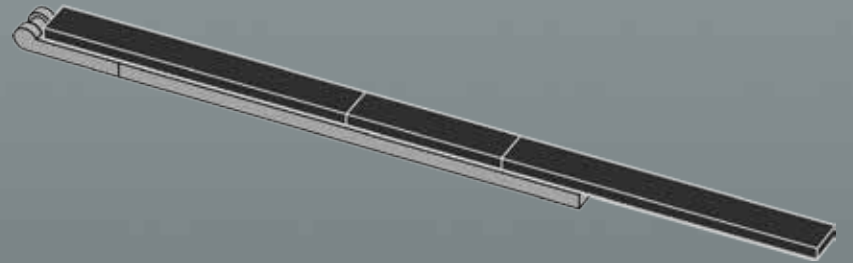
1



2

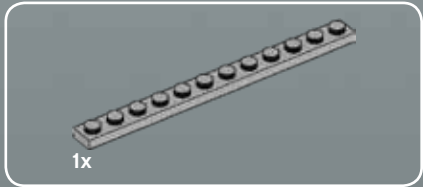
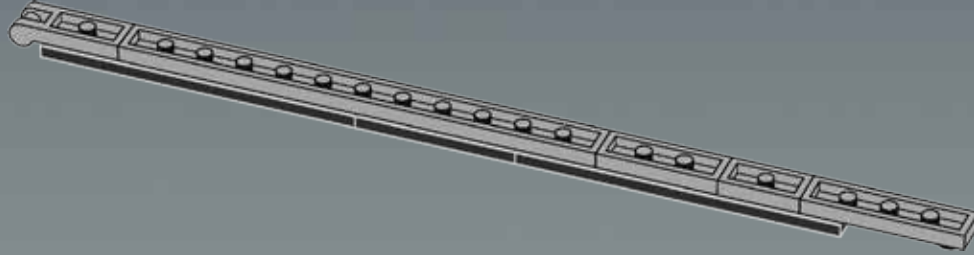


3

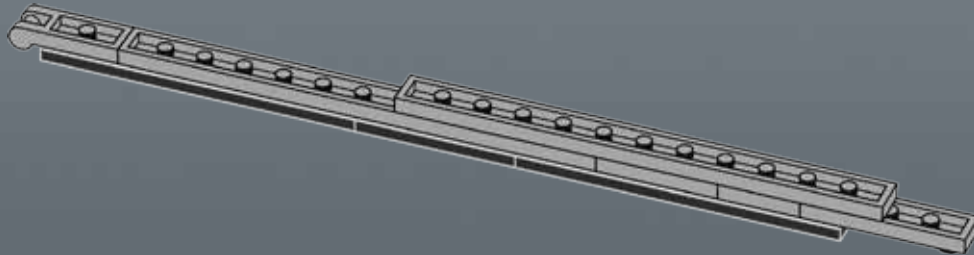




4

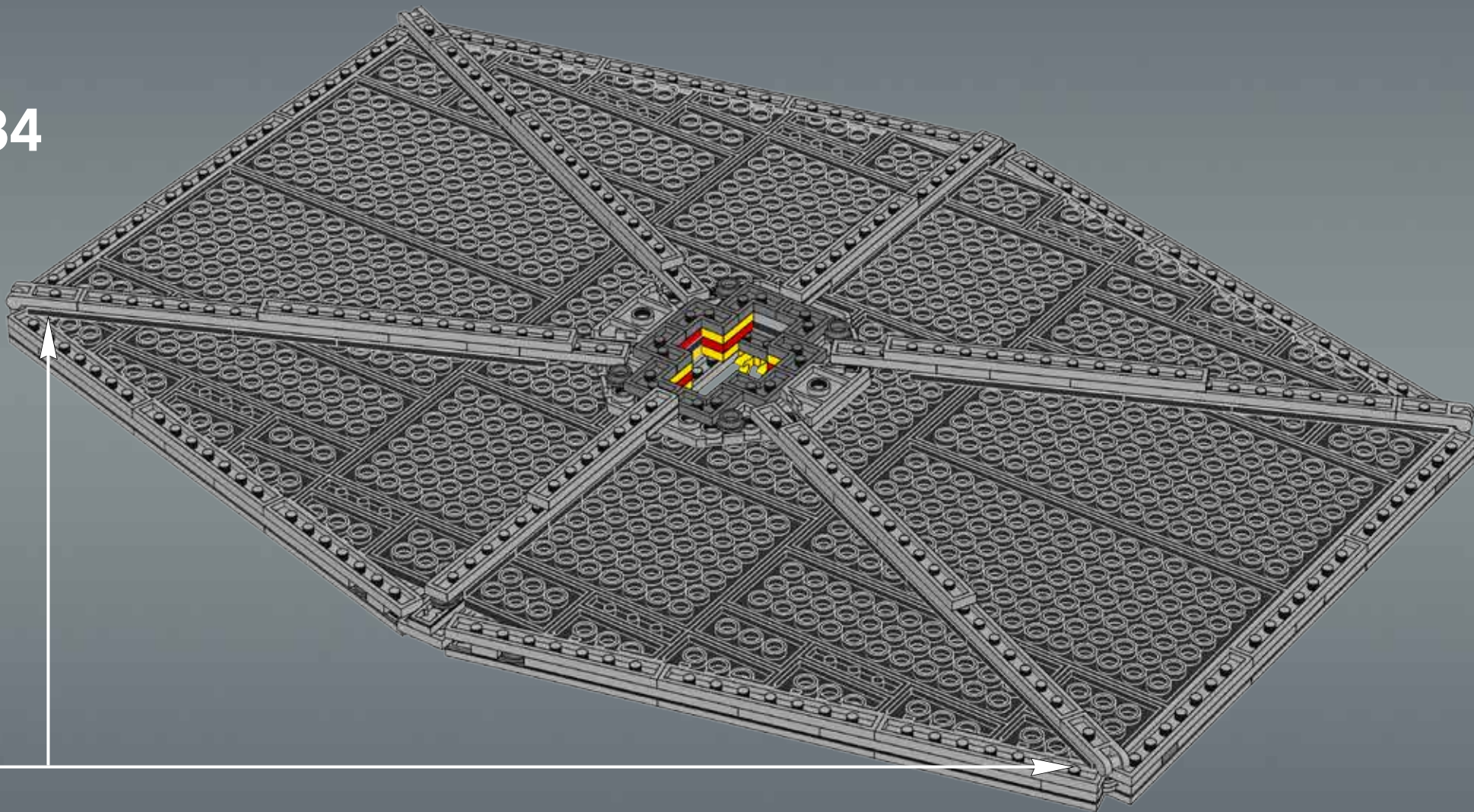


5



4x

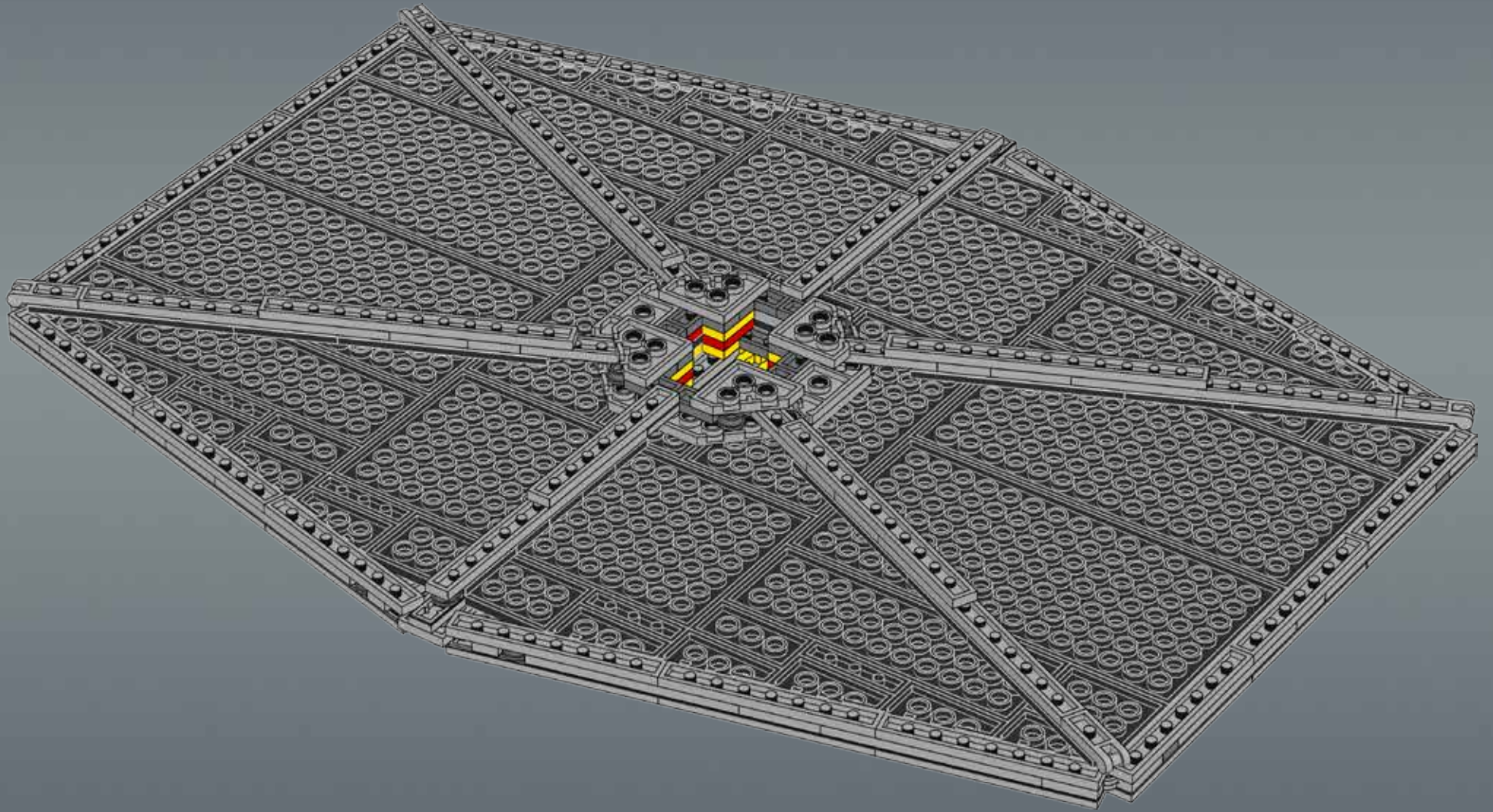
34





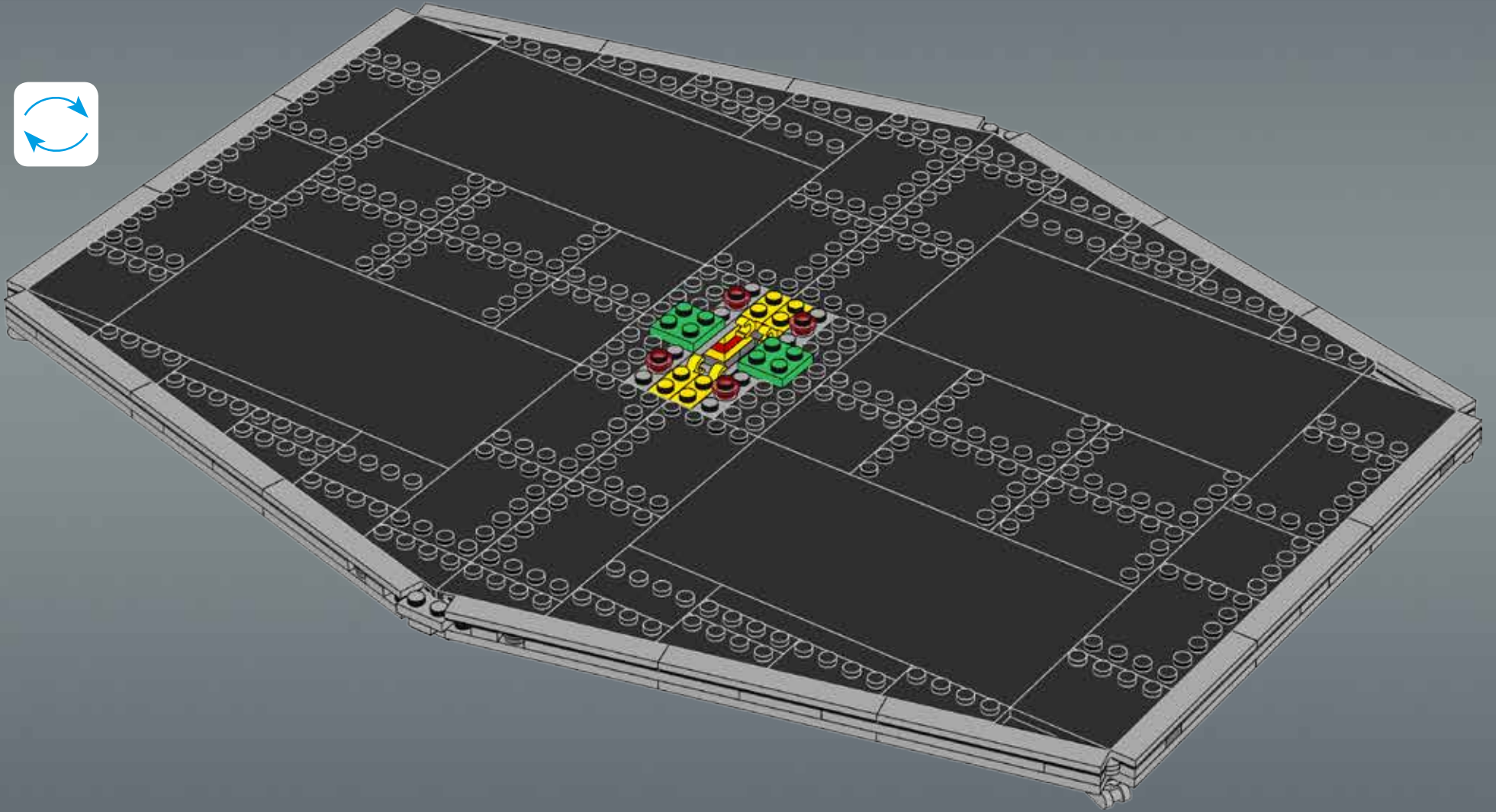
4x

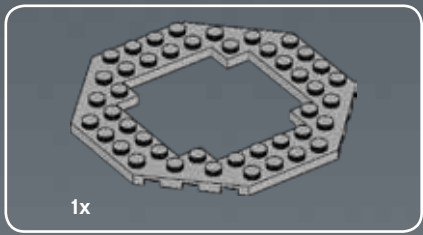
35



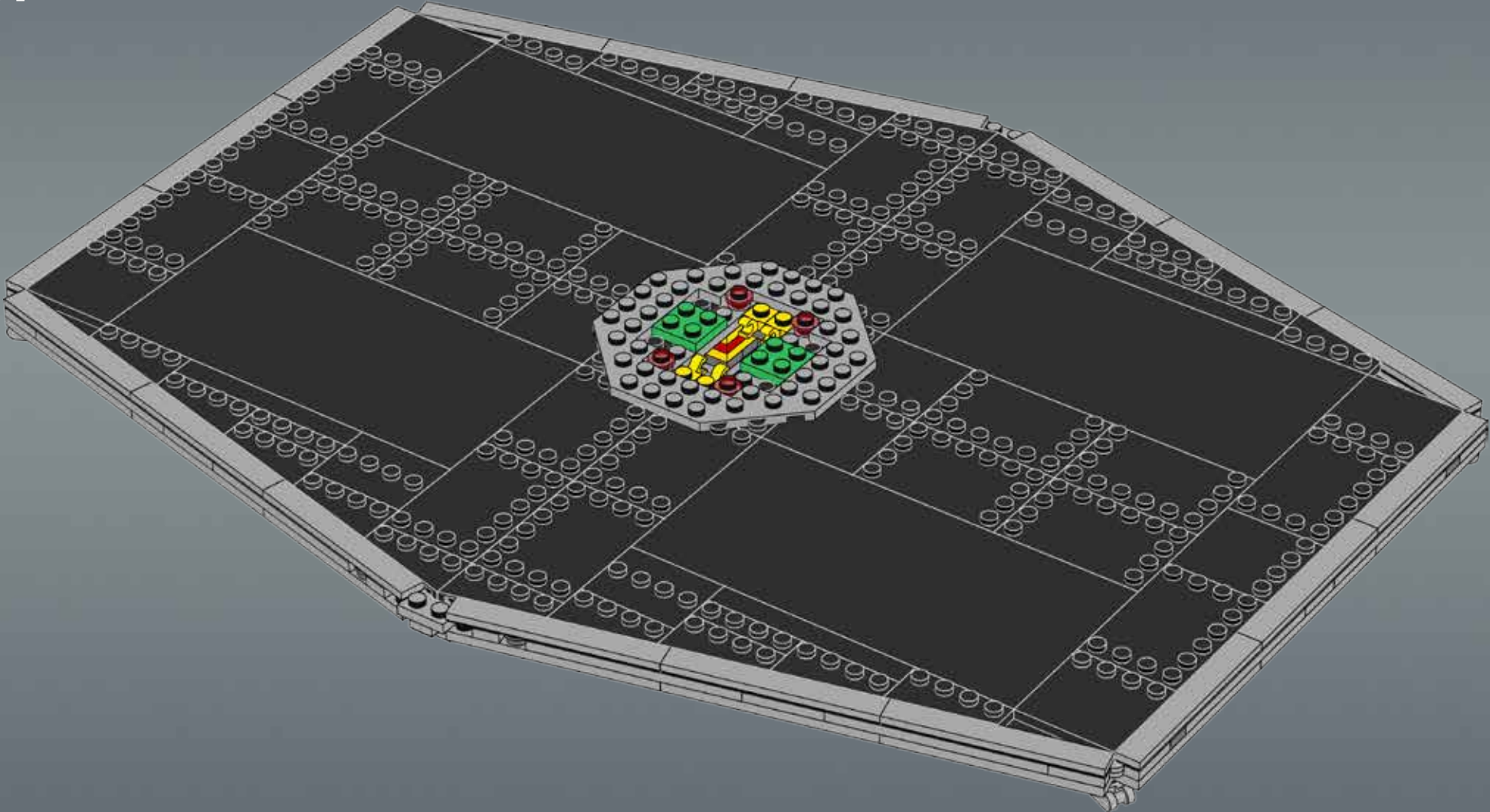
2x  4x 

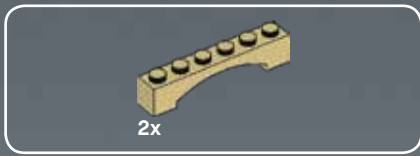
36



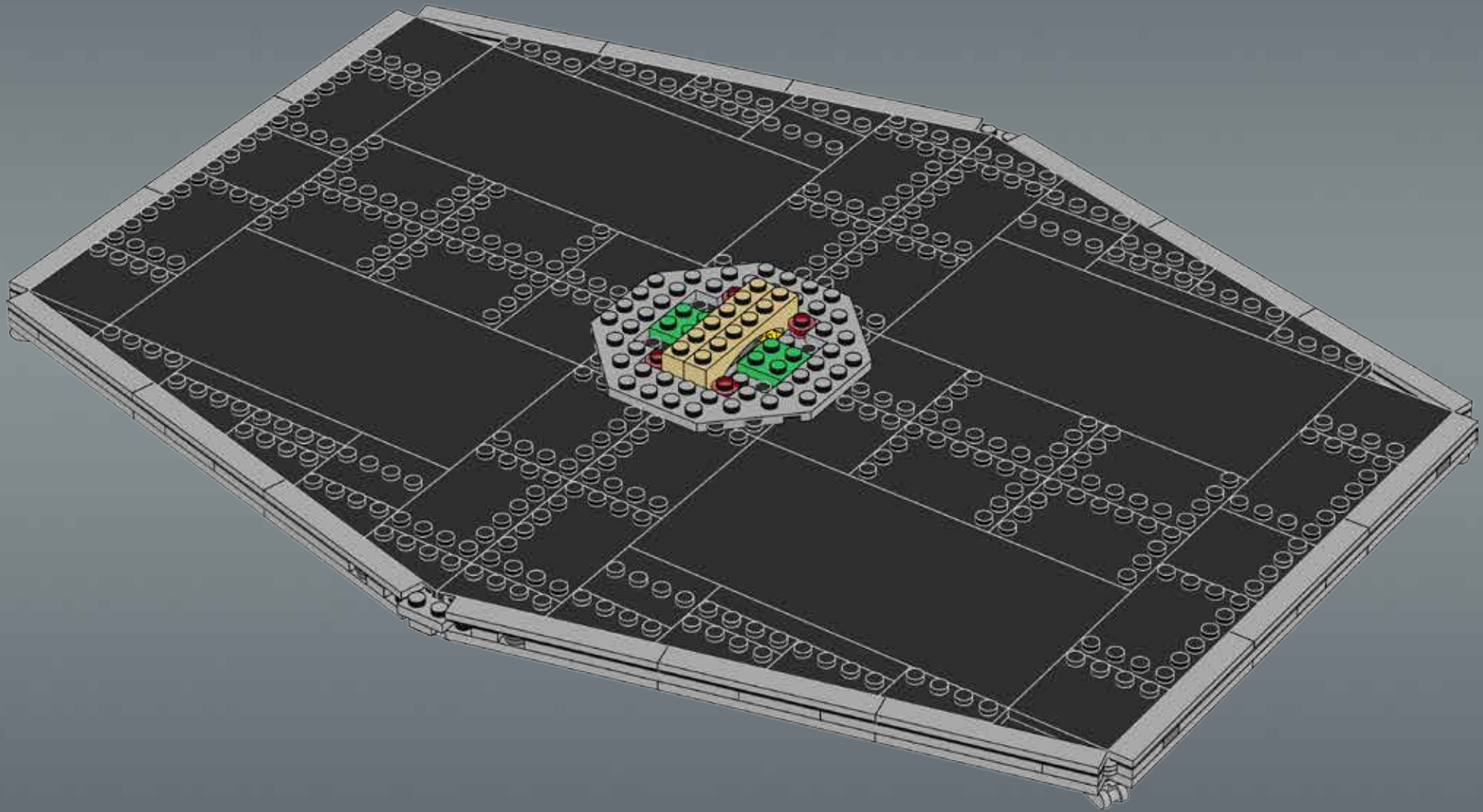


37



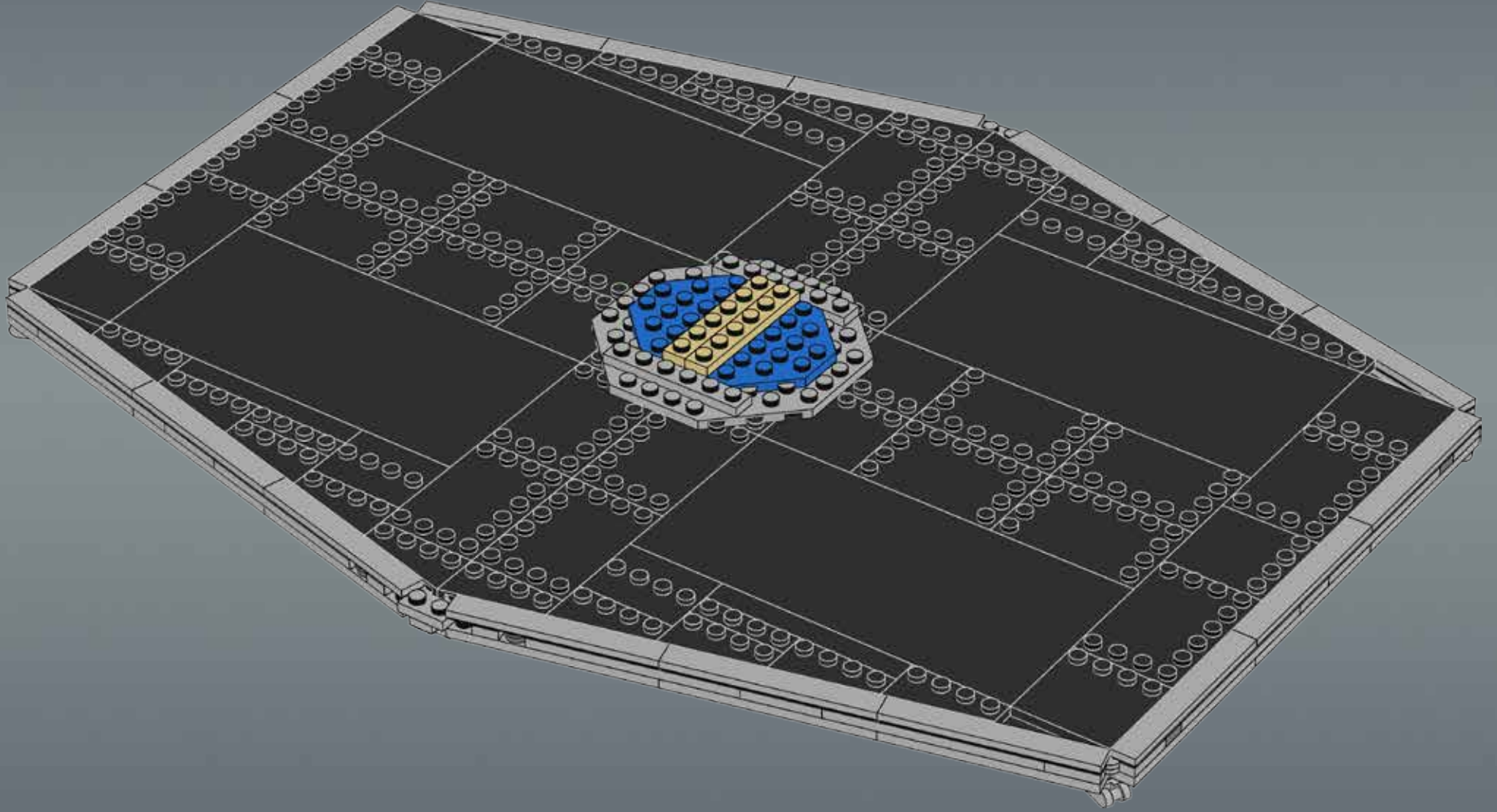


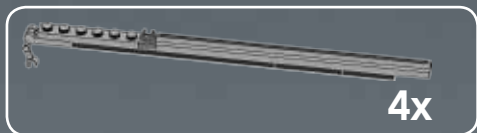
38



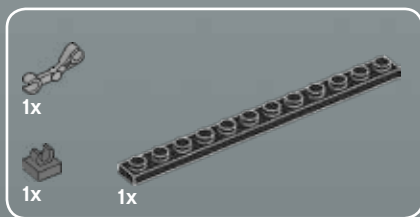
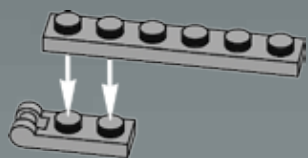


39

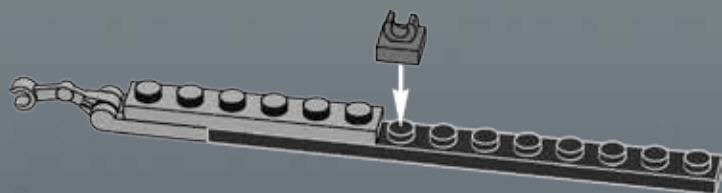




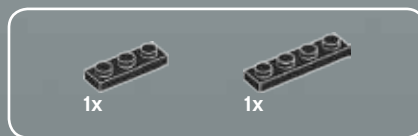
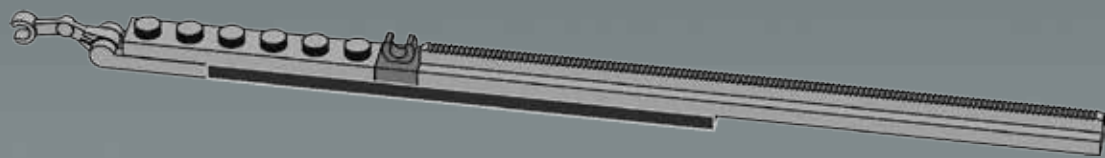
1



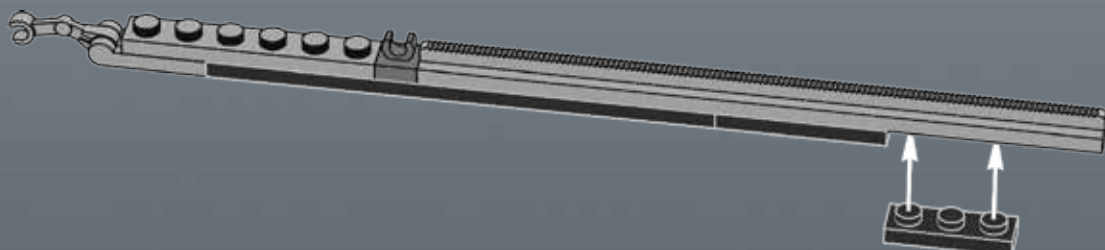
2



3

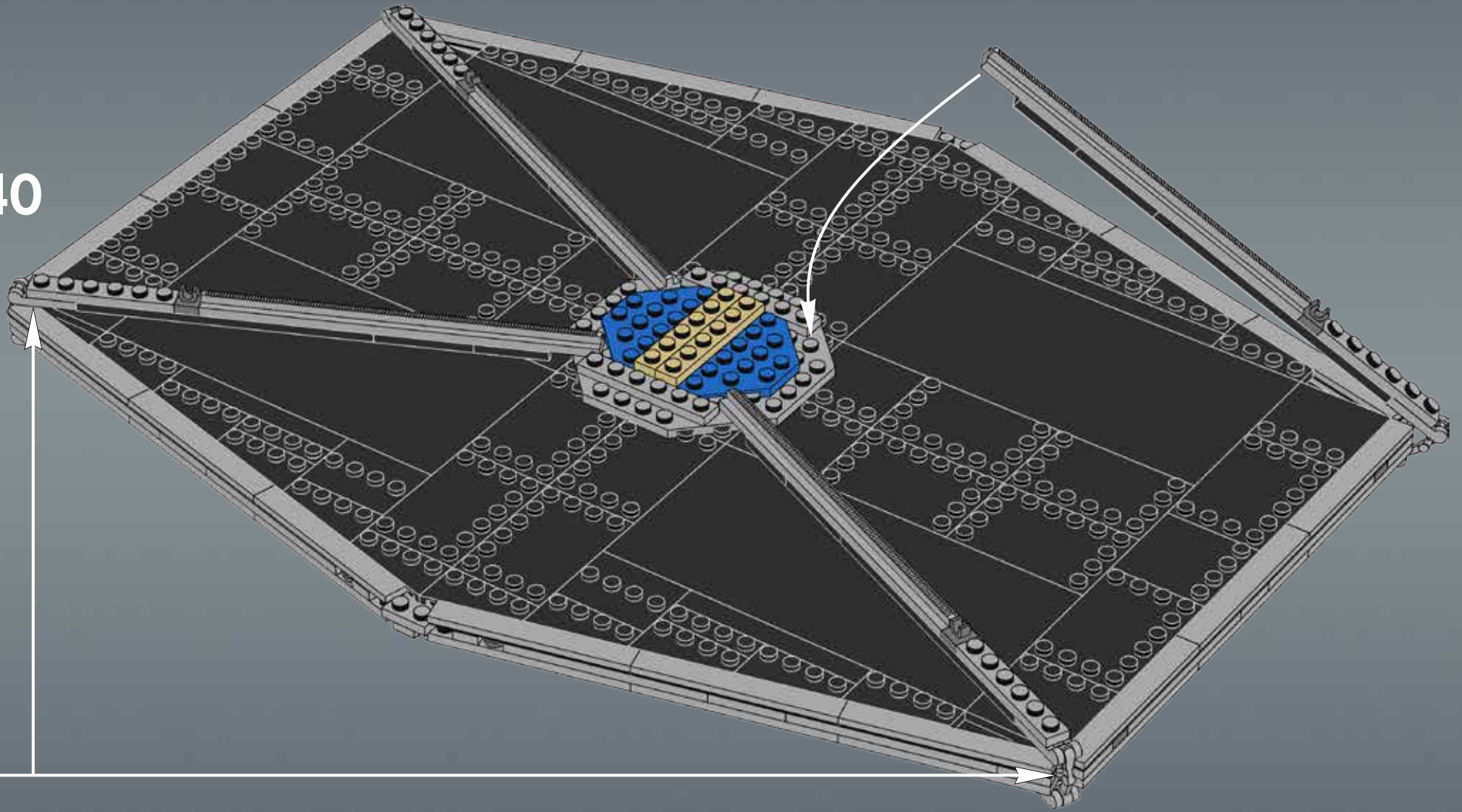


4



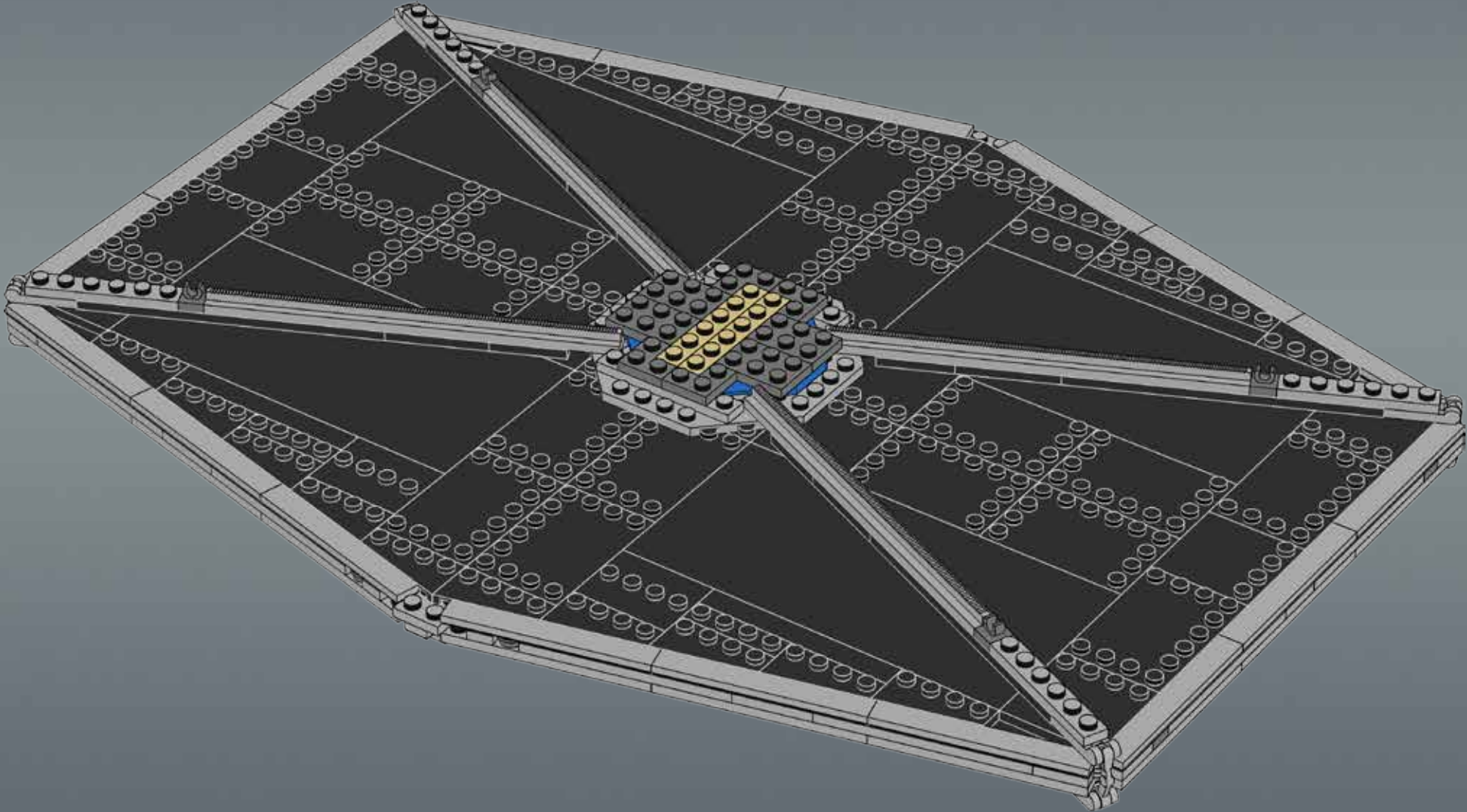
4x

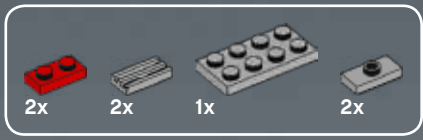
40



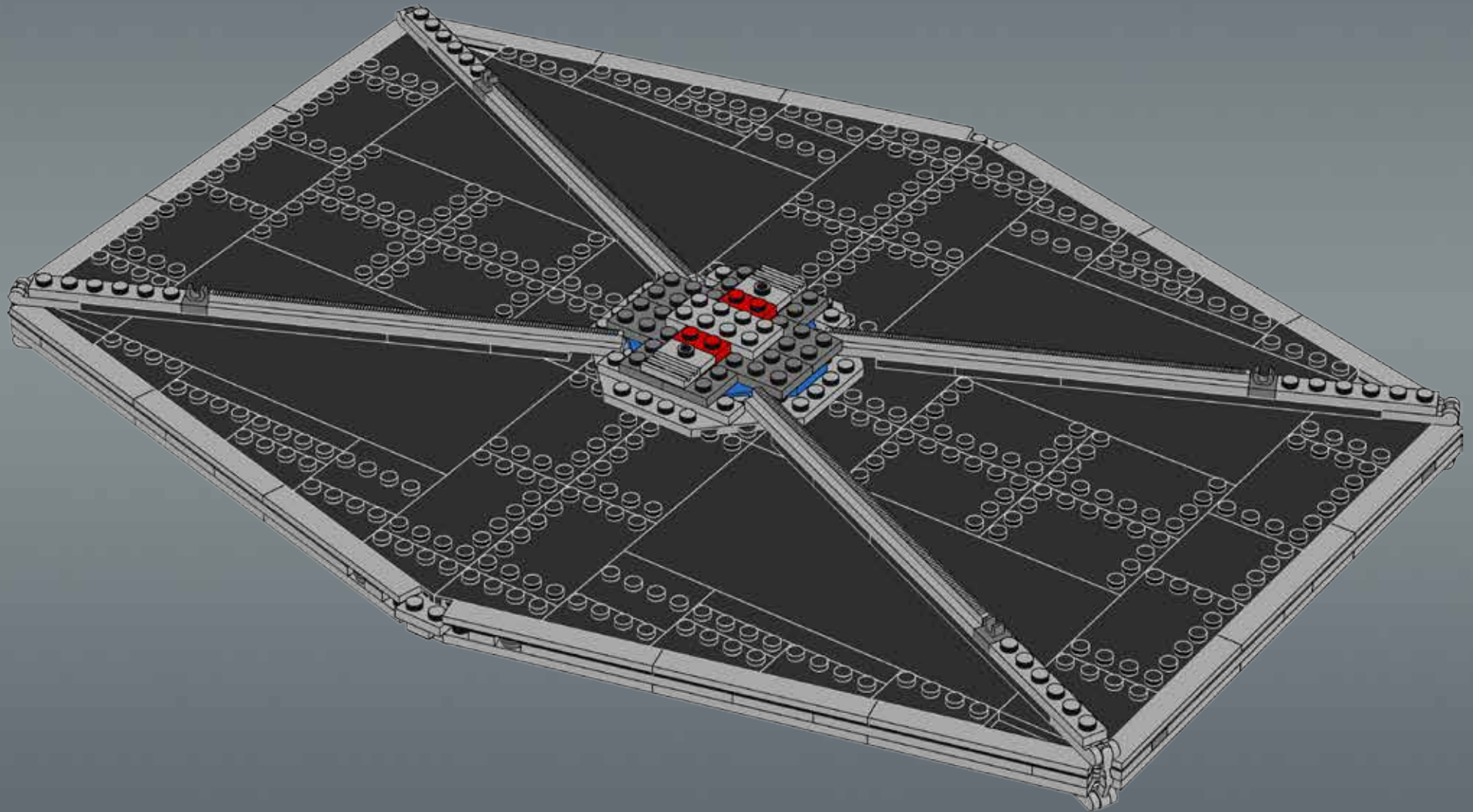


41





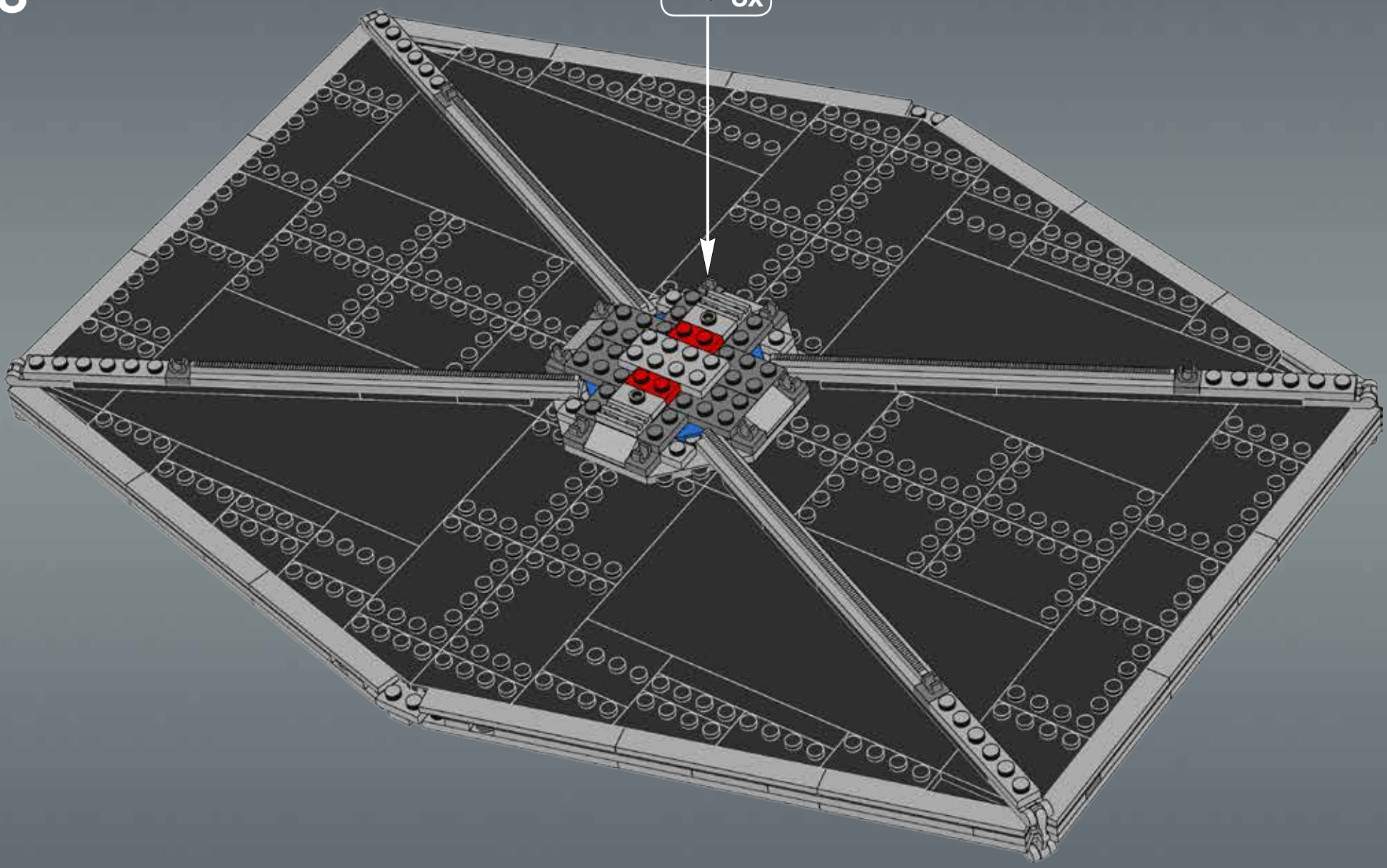
42



4x 8x

43

8x



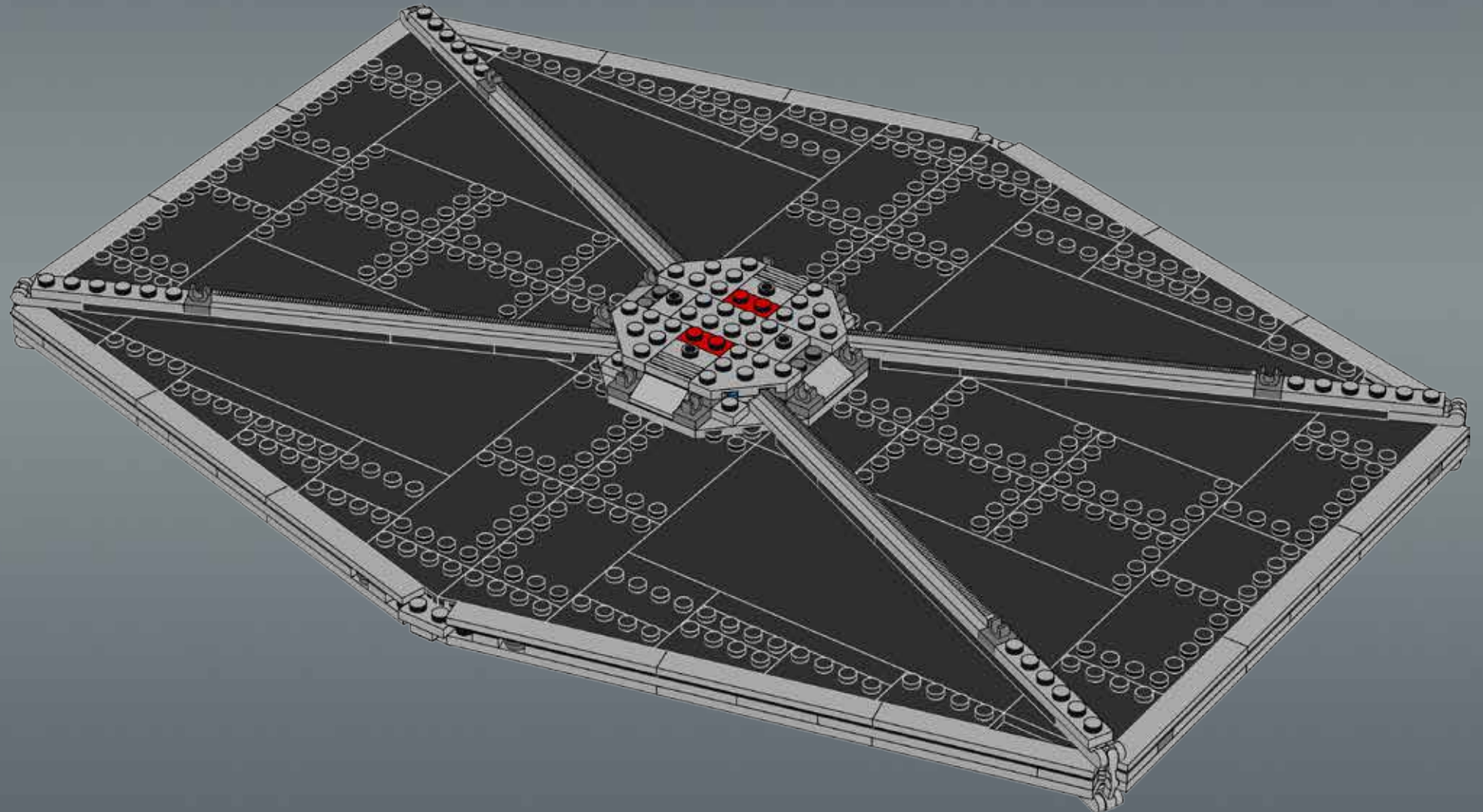


4x



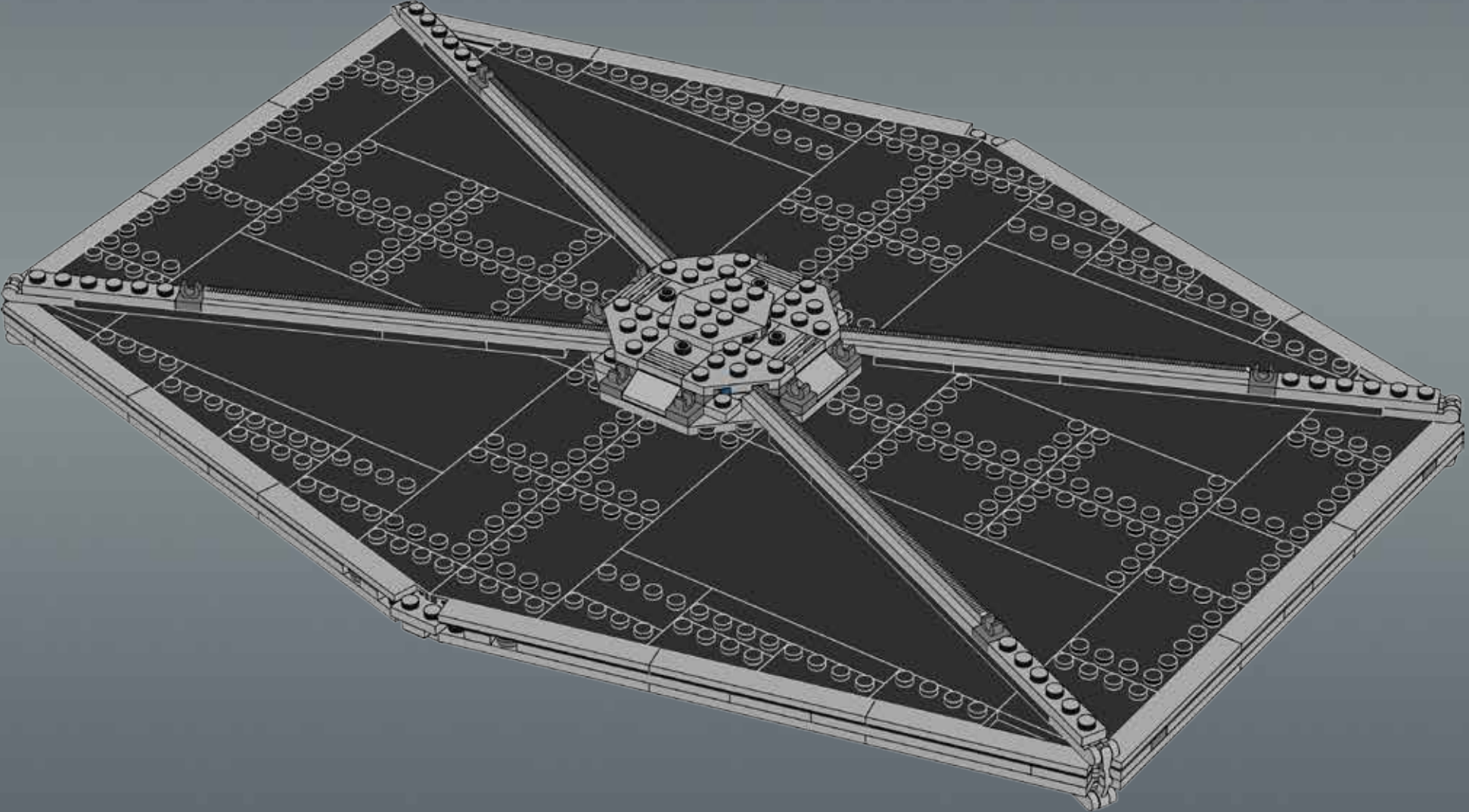
2x

44





45

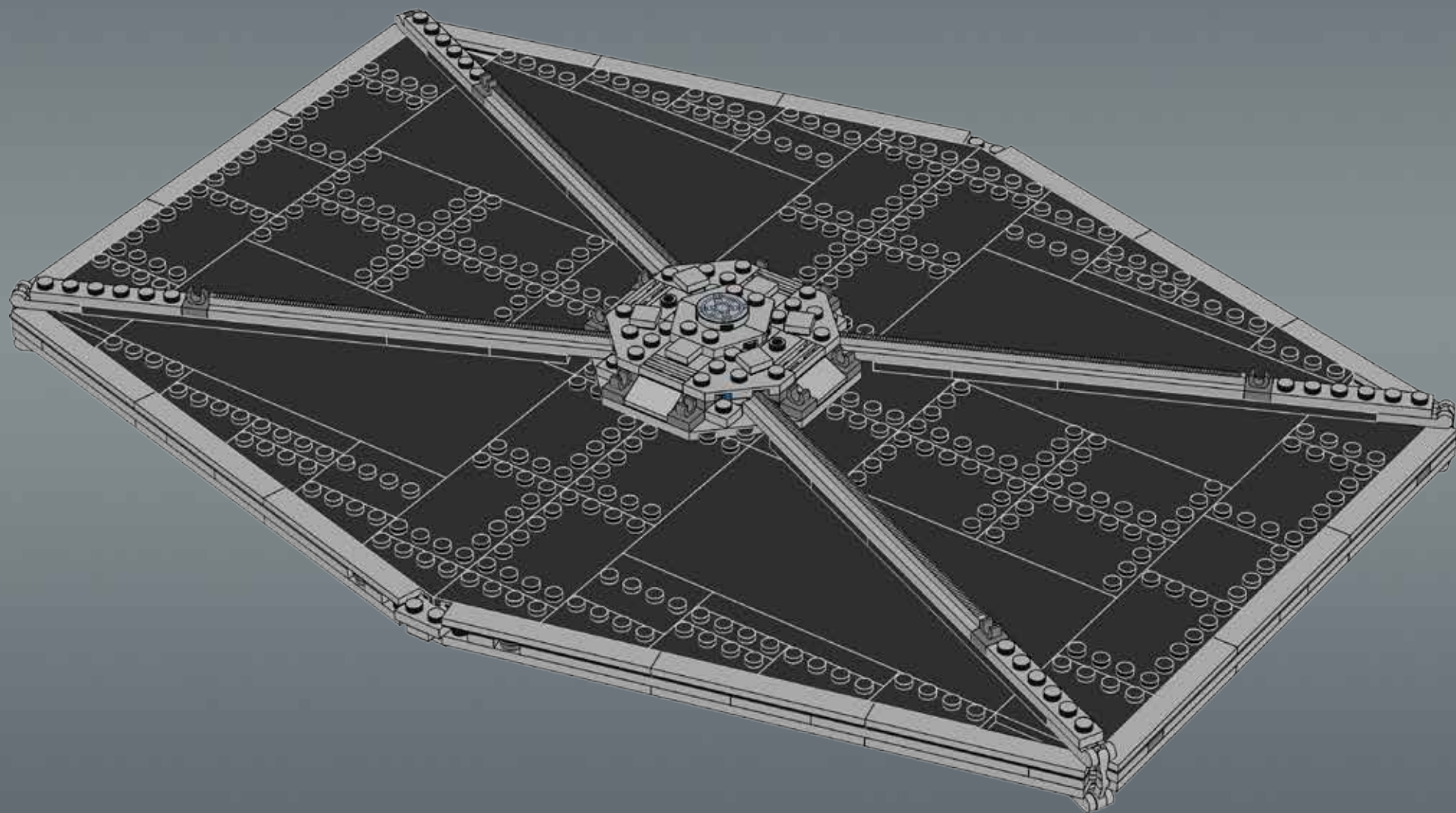


6x



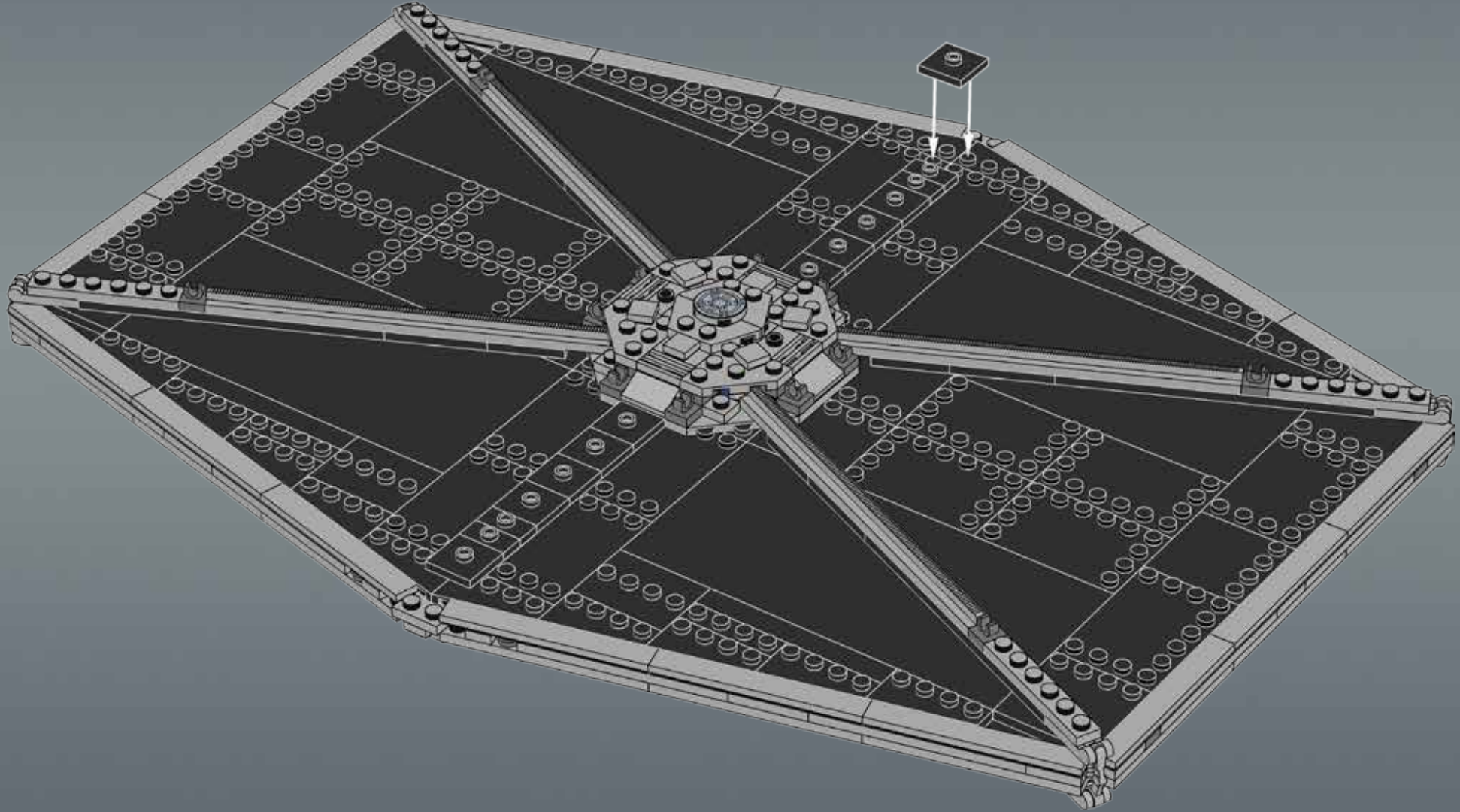
1x

46



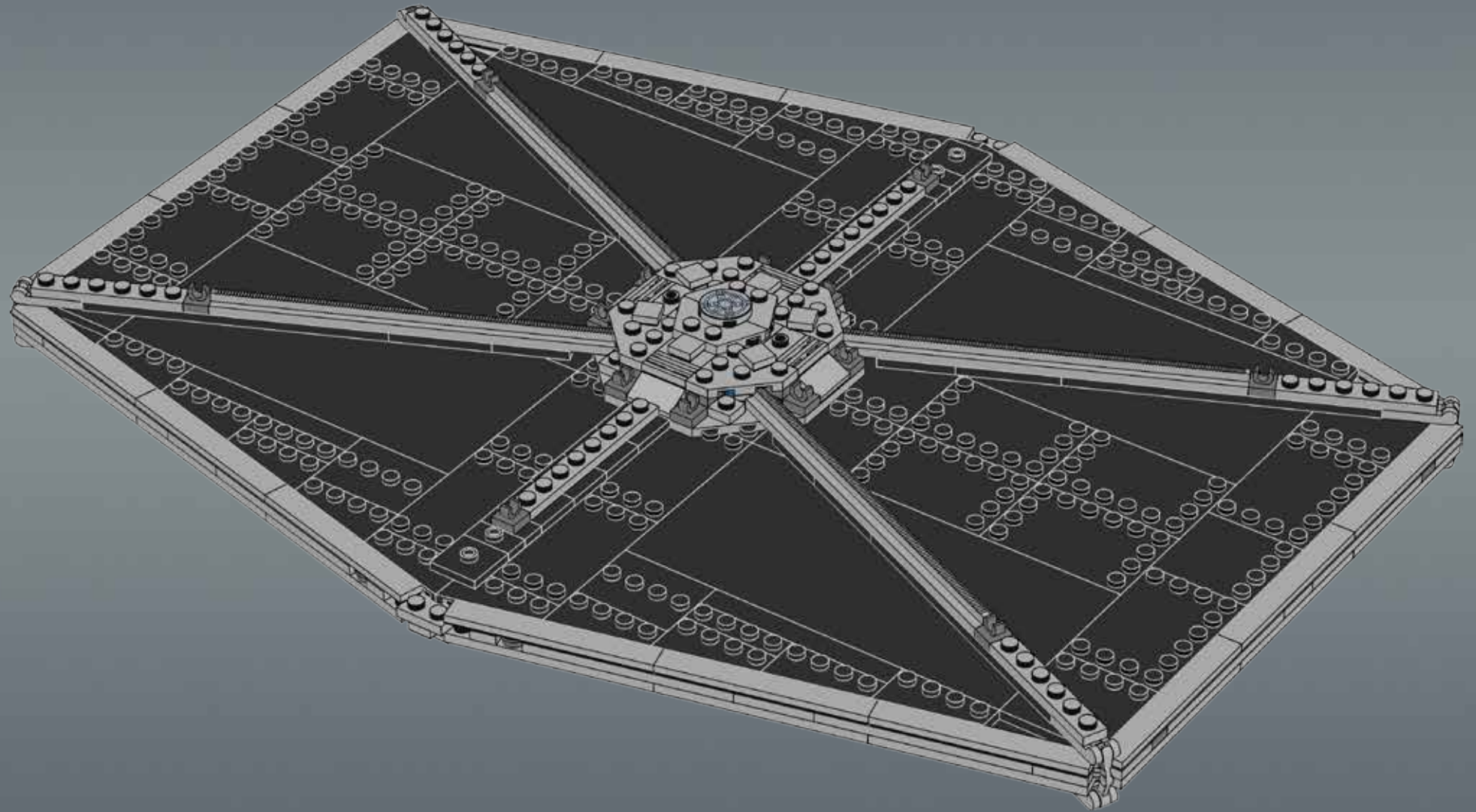
10x  4x 

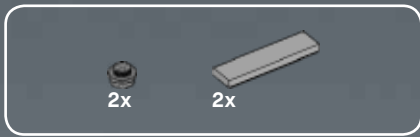
47



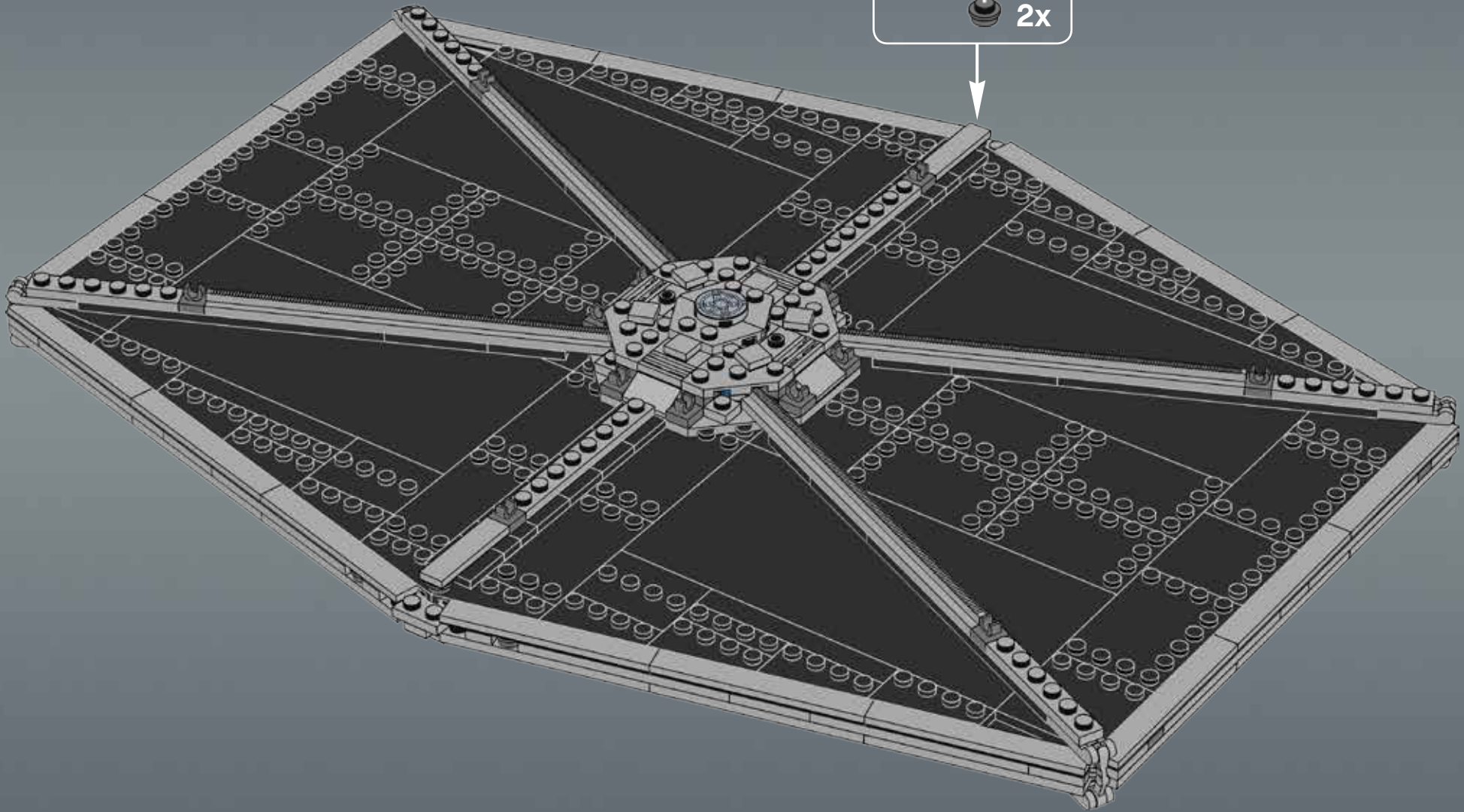
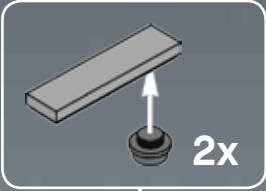


48



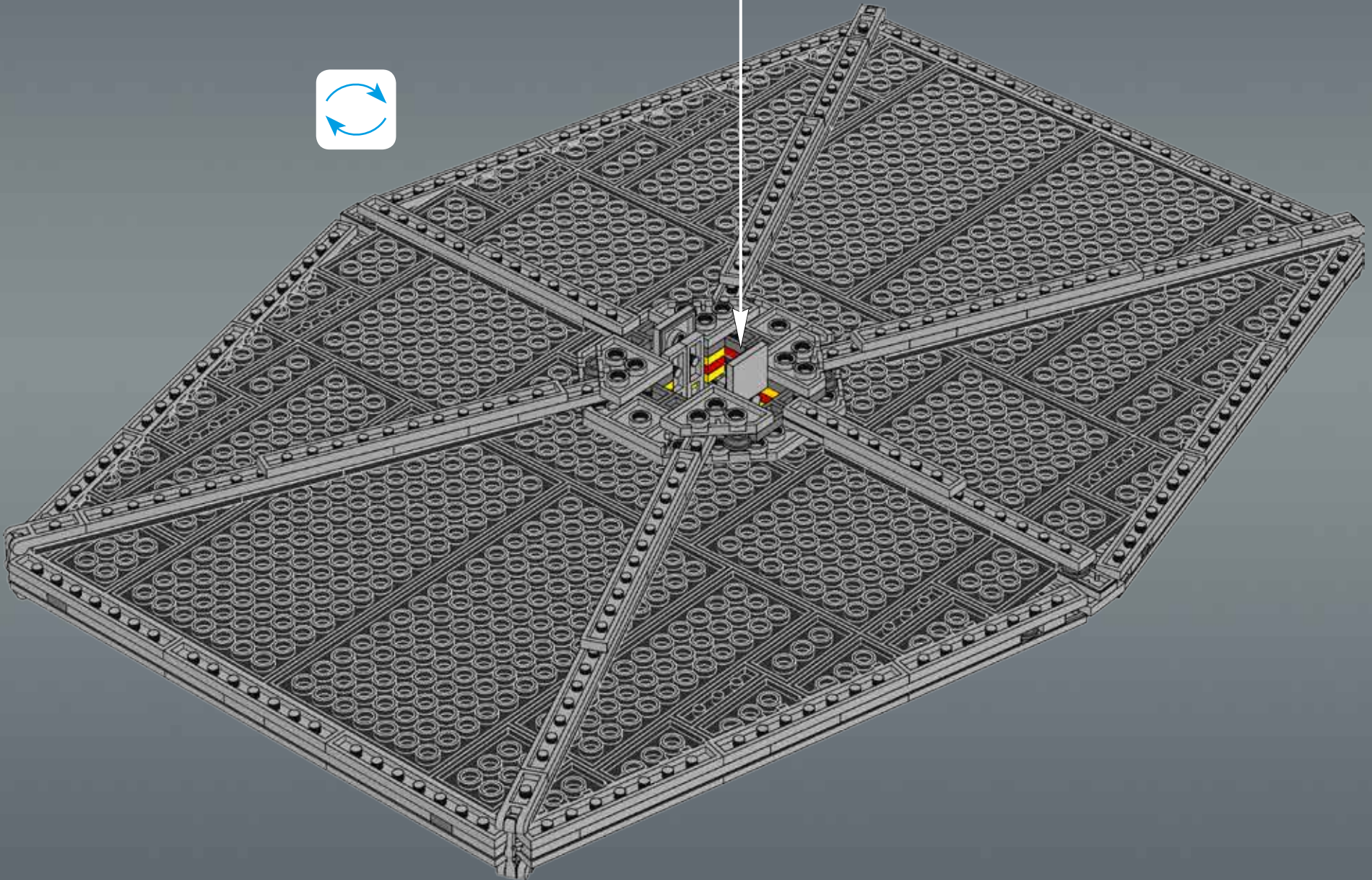
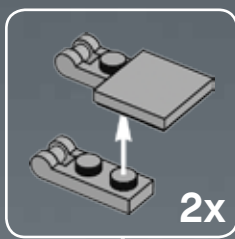


49

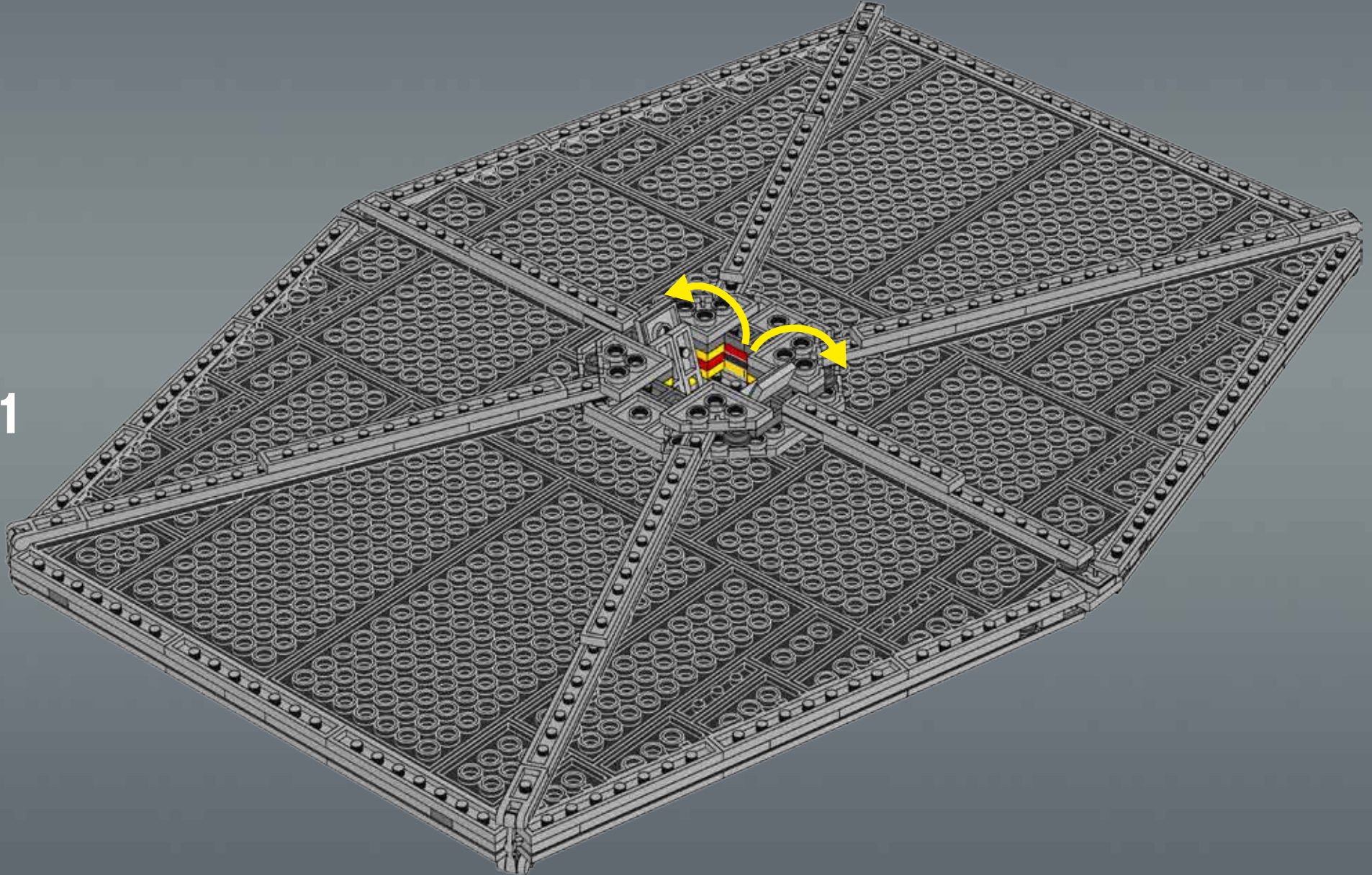




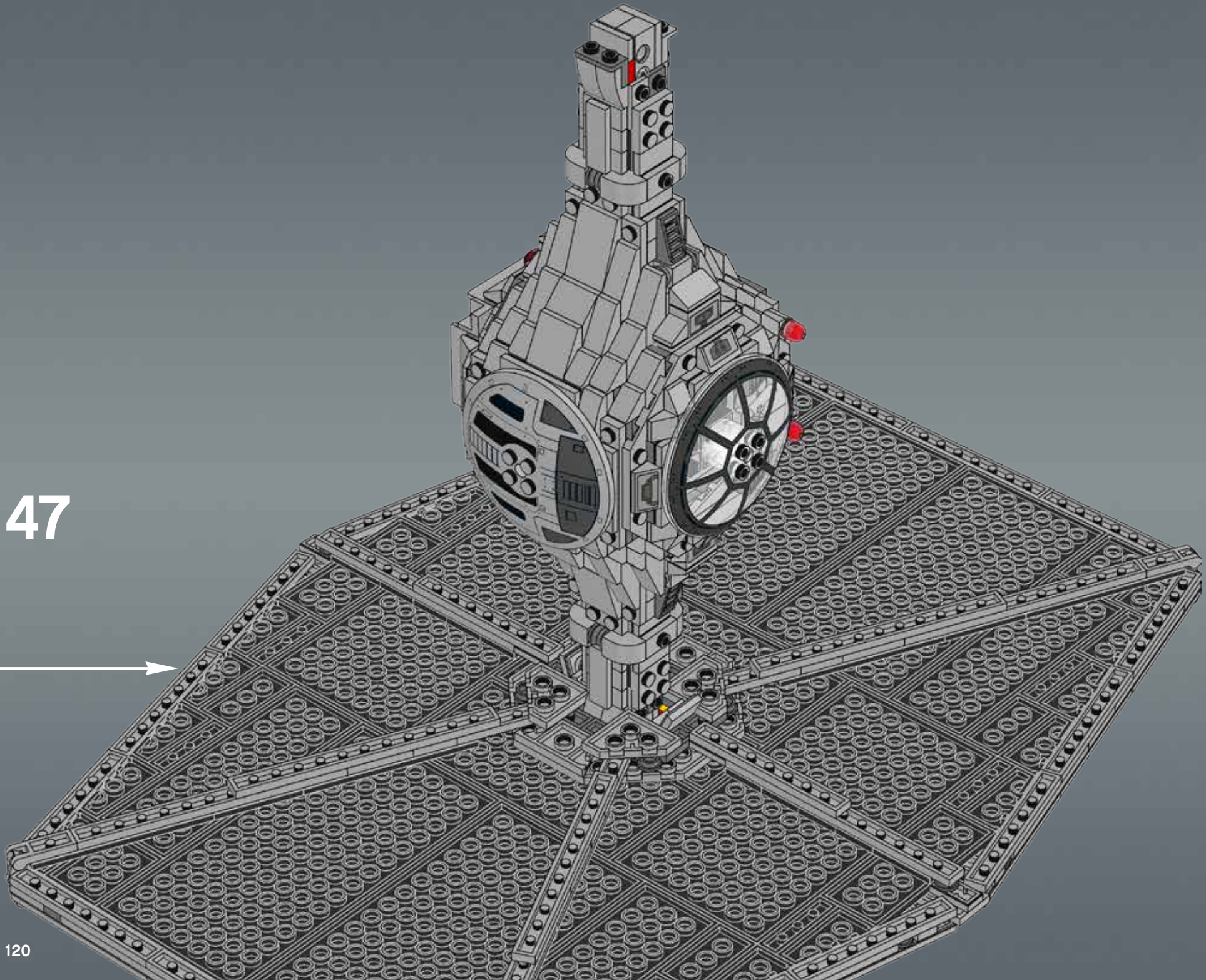
50



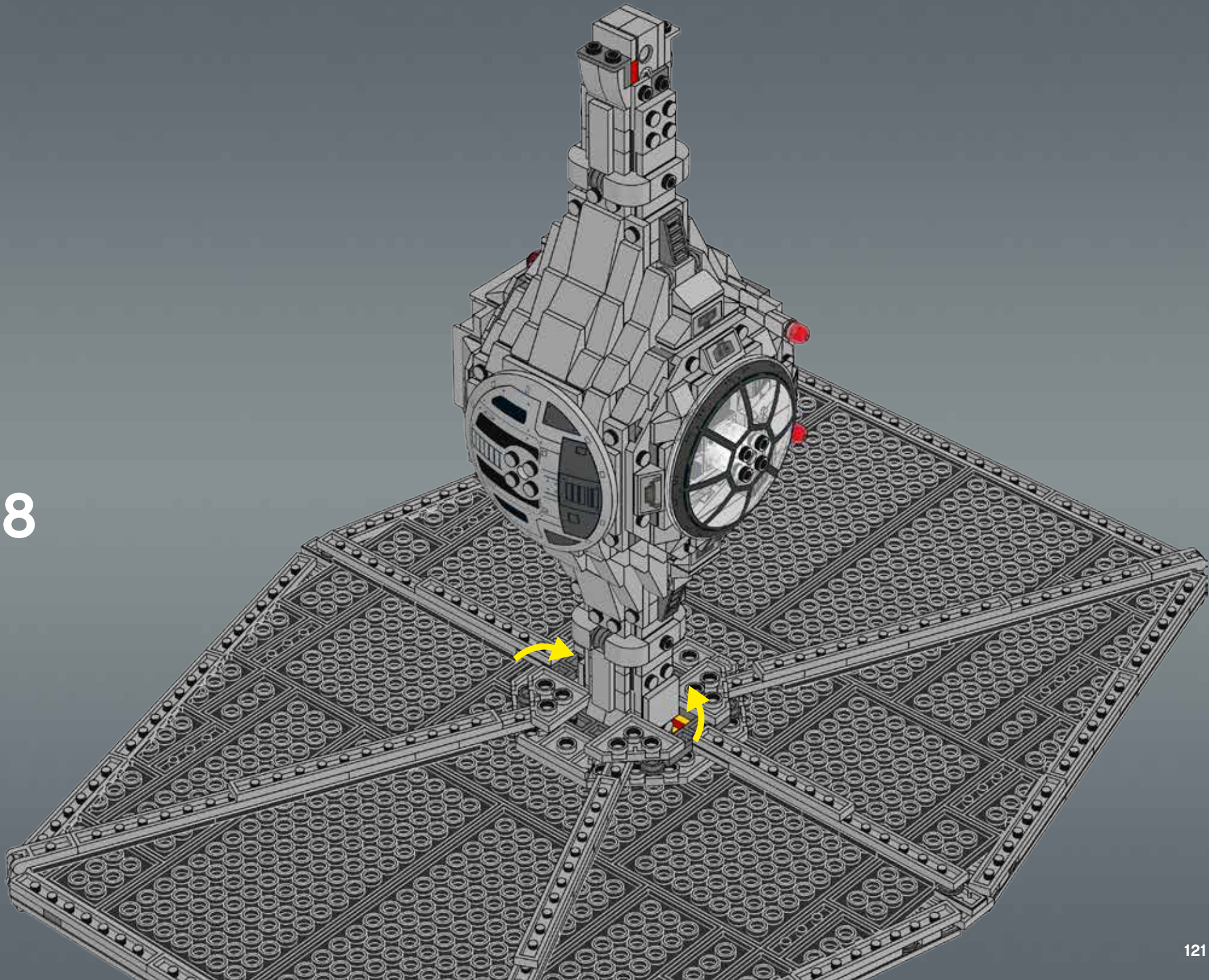
51



47

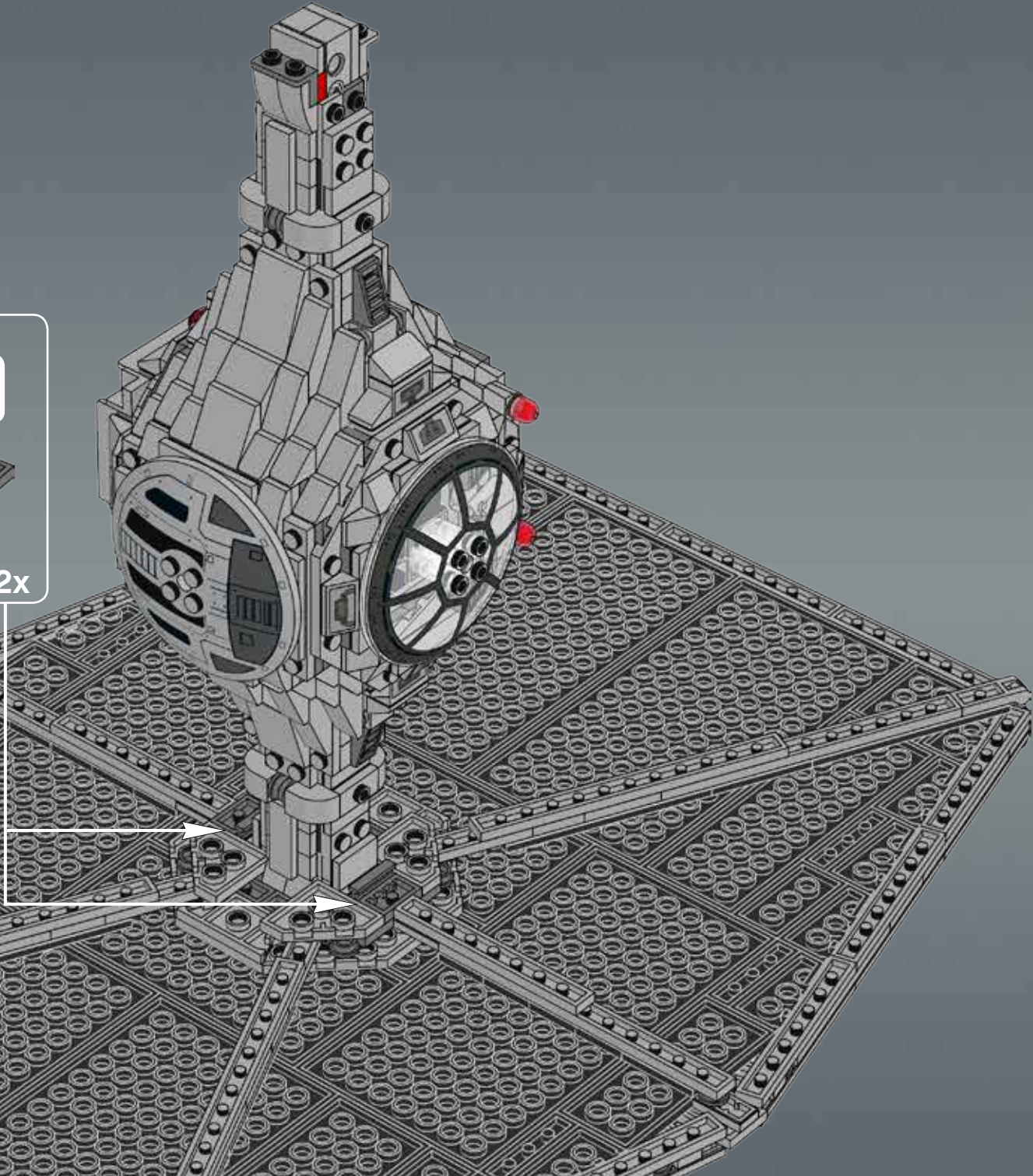
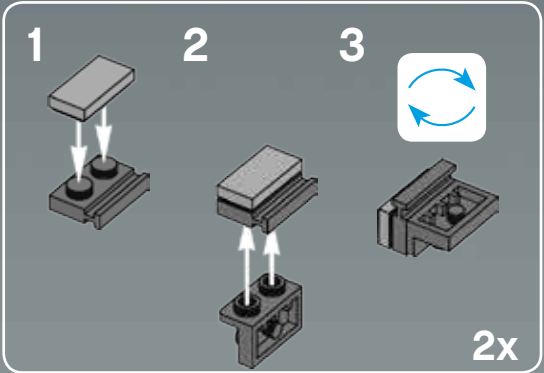


48



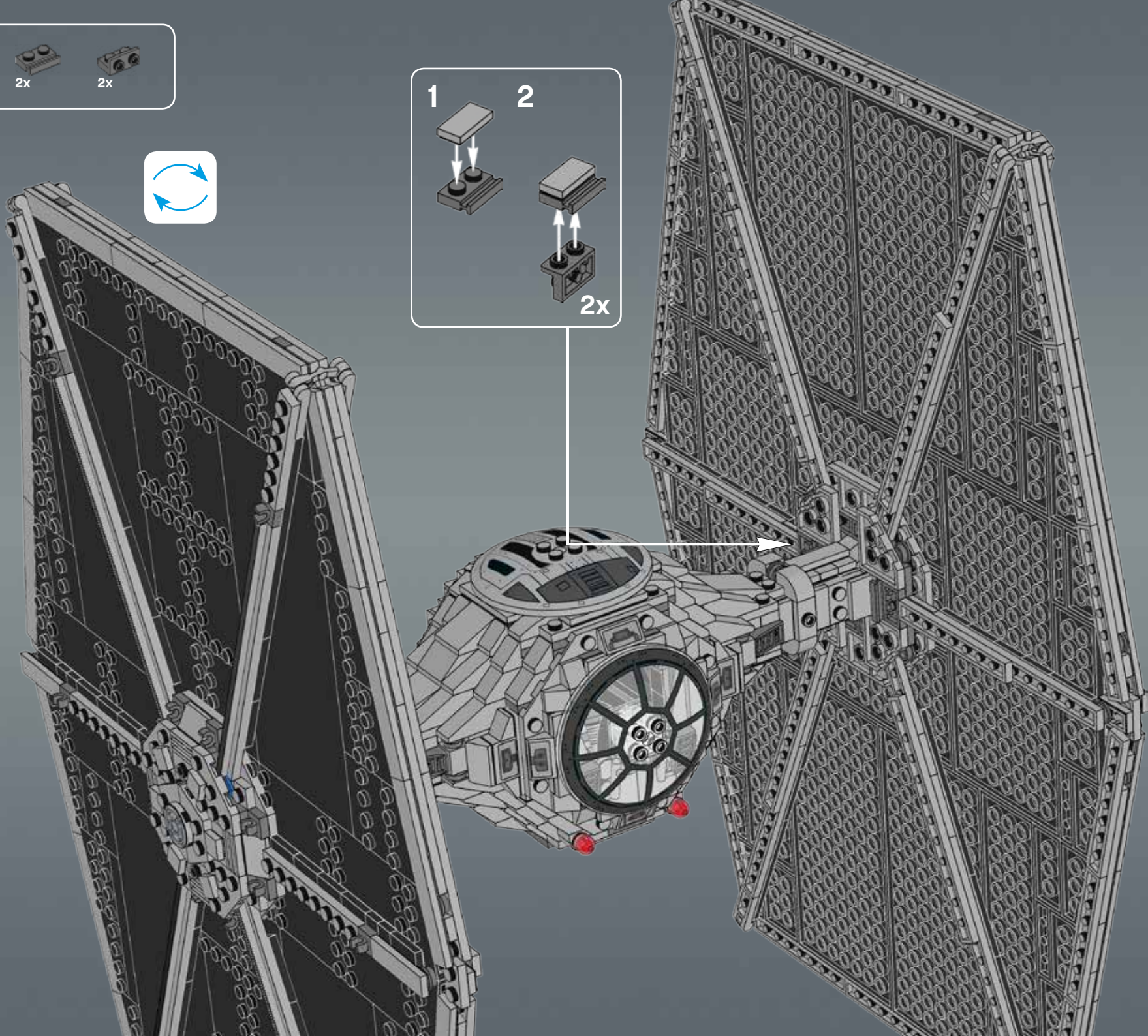
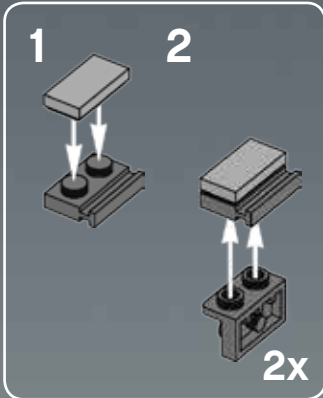


49

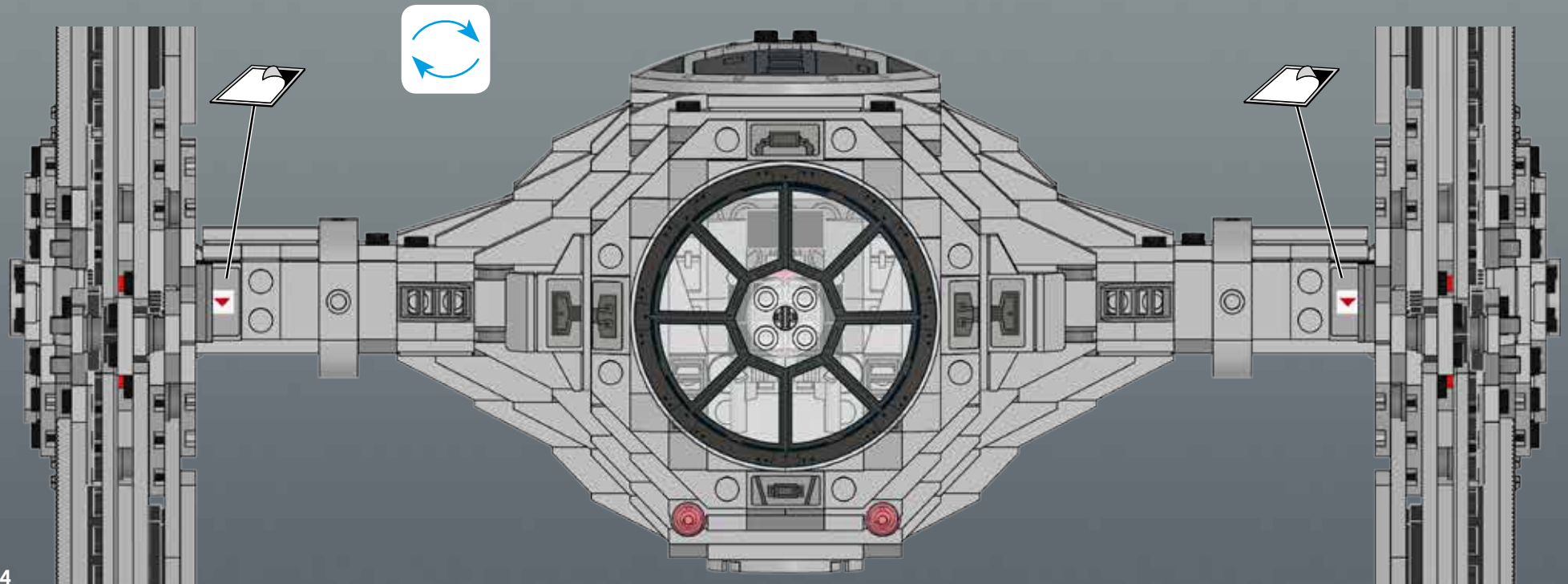
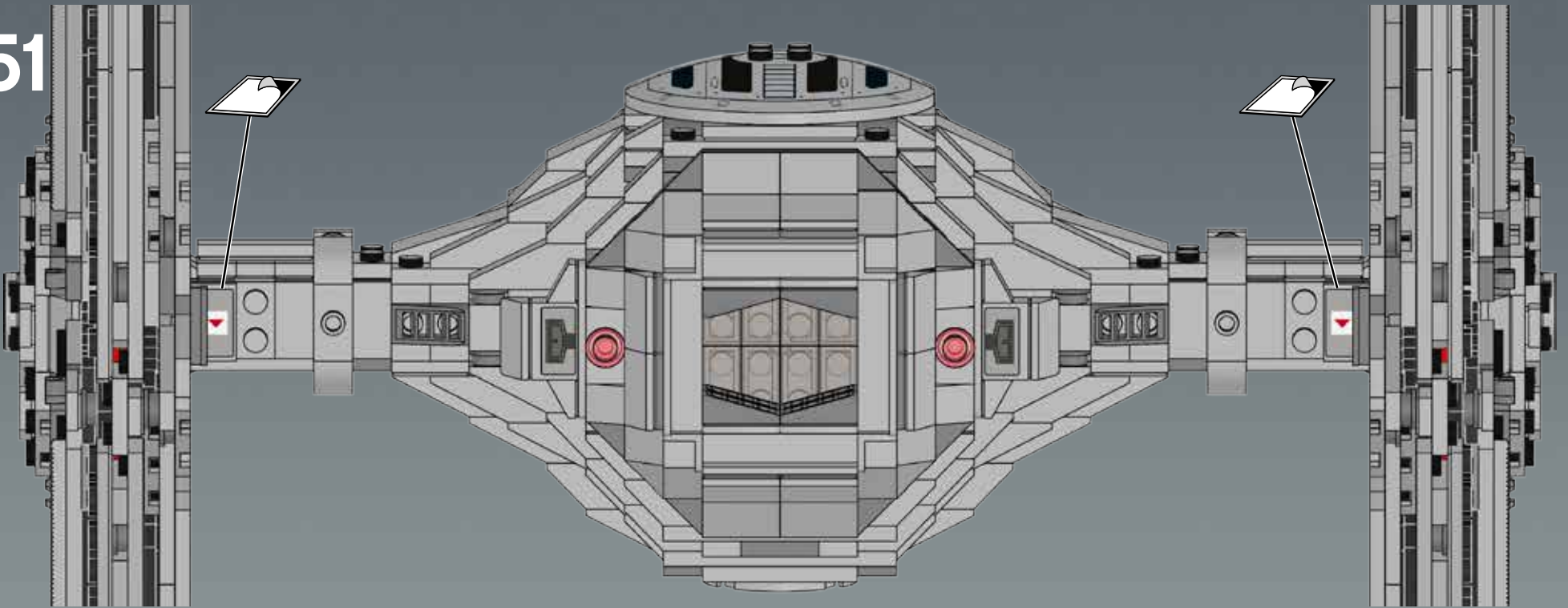




50



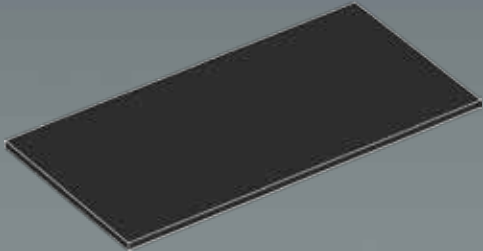
51



12

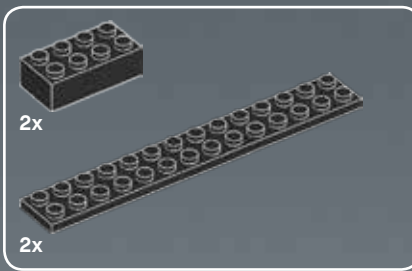
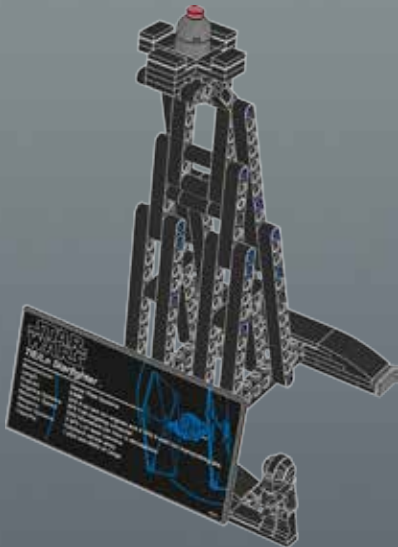


+

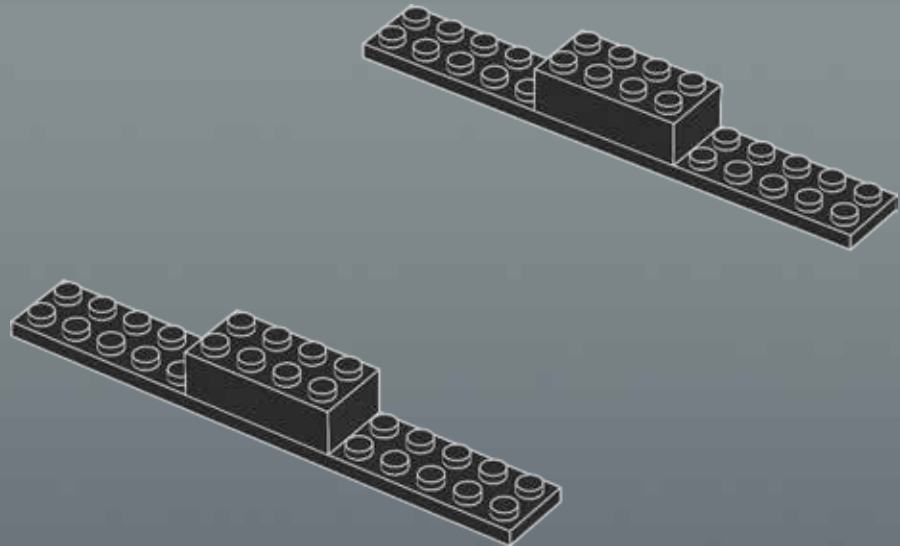


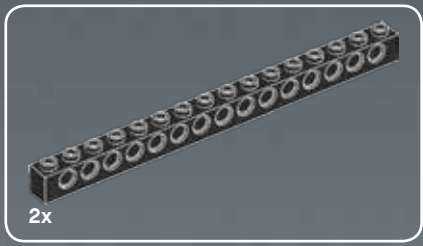
1x

=

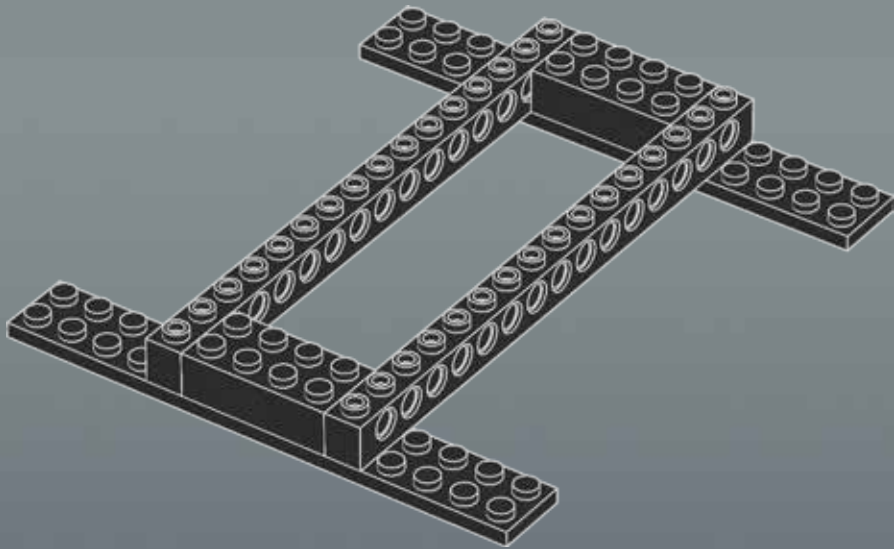


1

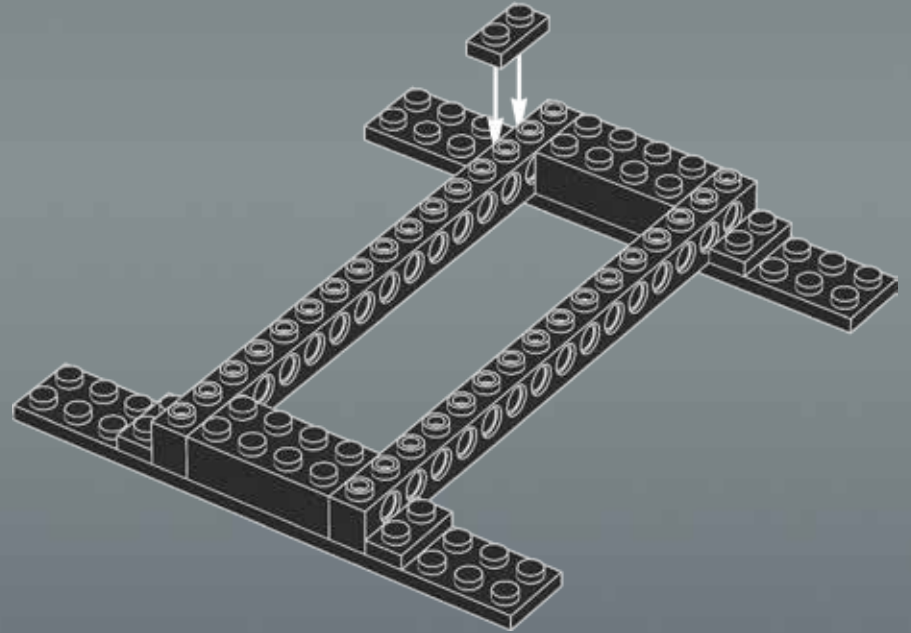




2

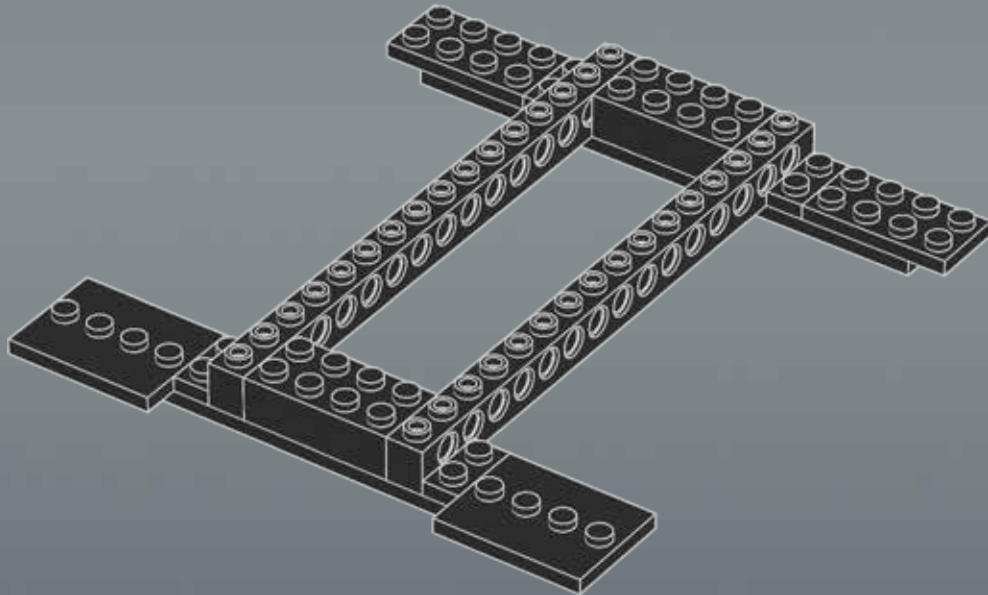


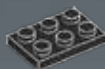
3





4



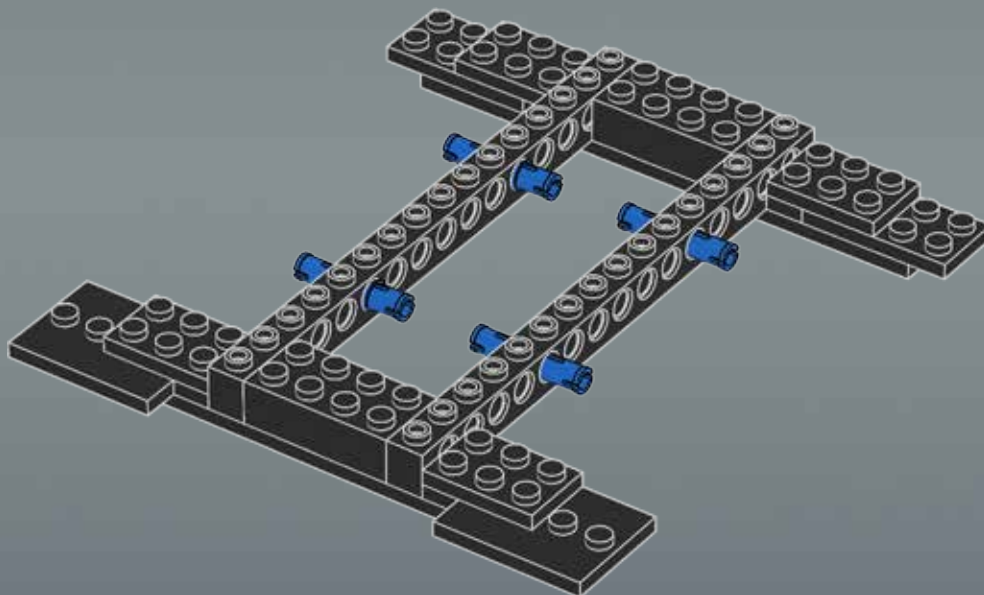


4x



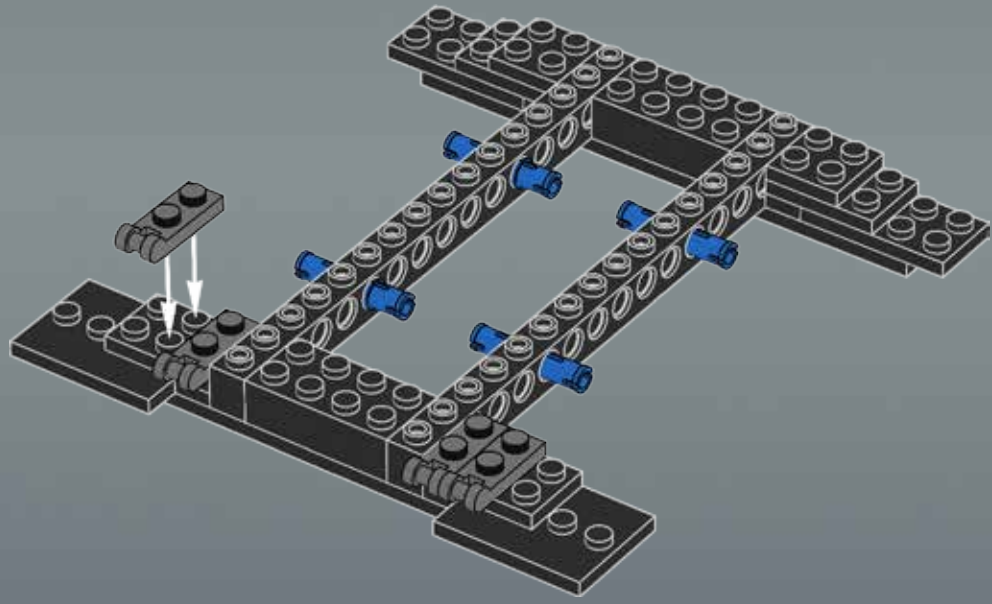
4x

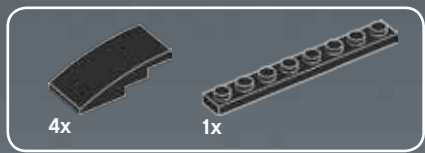
5



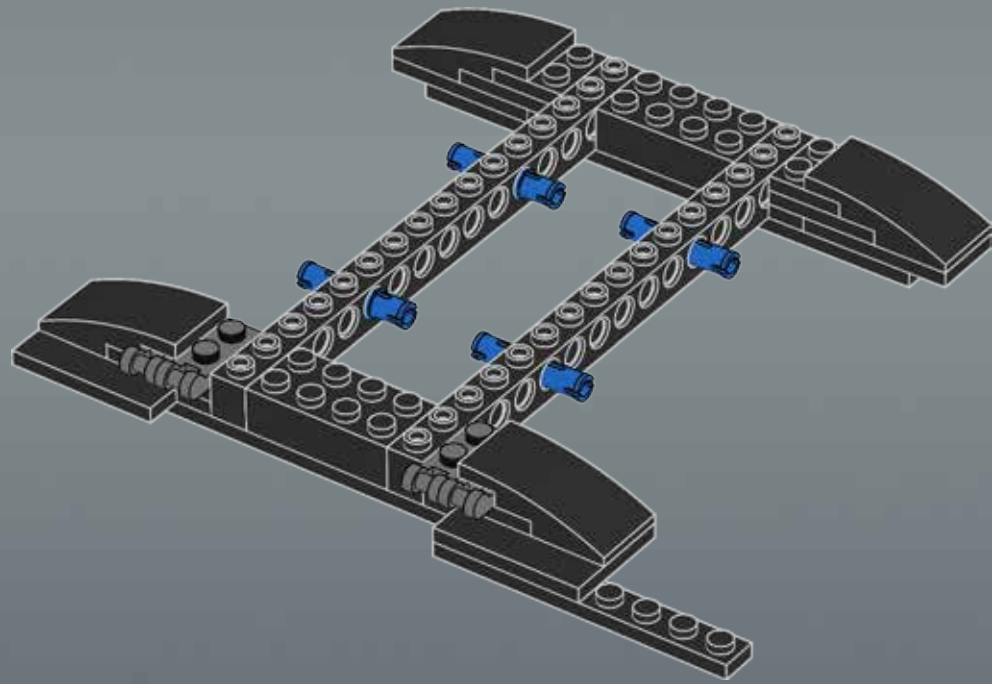


6



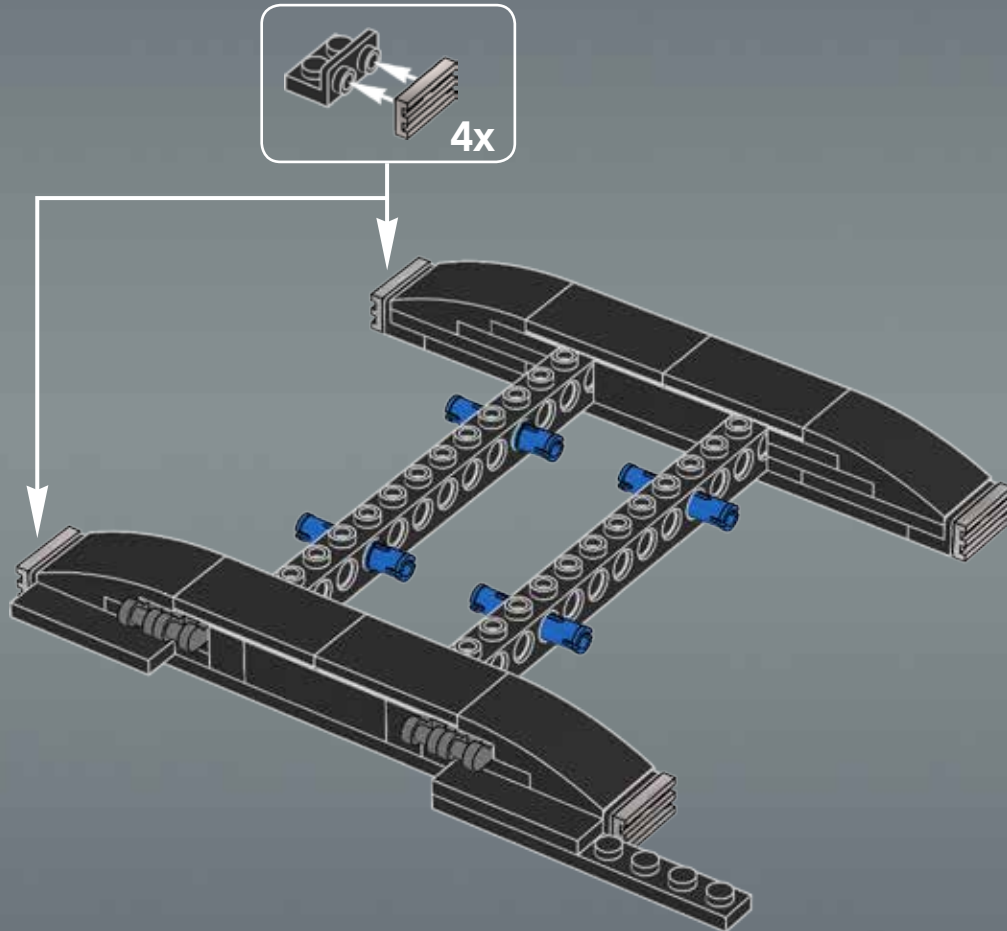


7



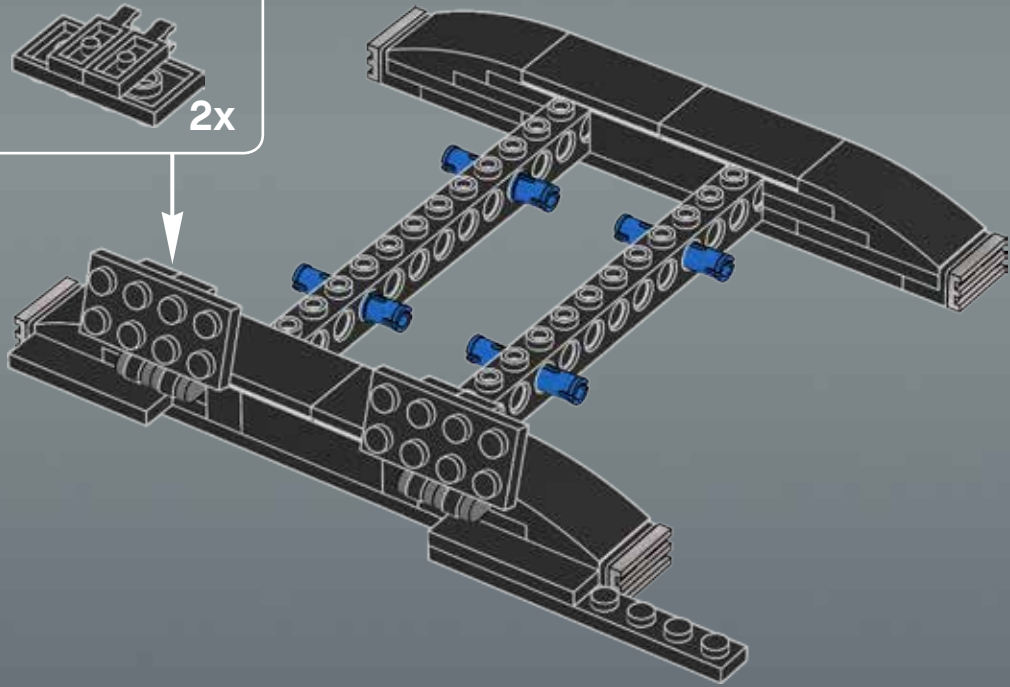
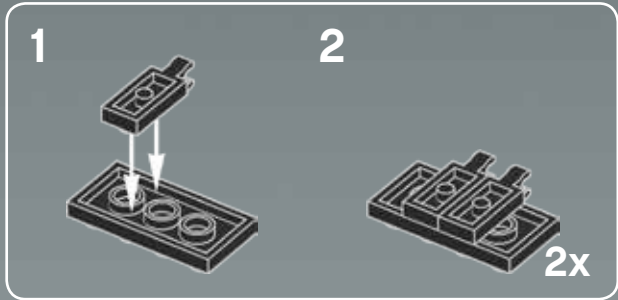


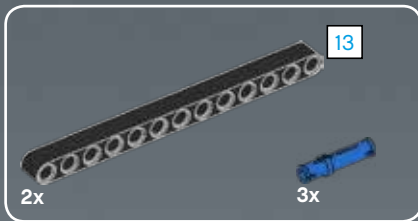
8



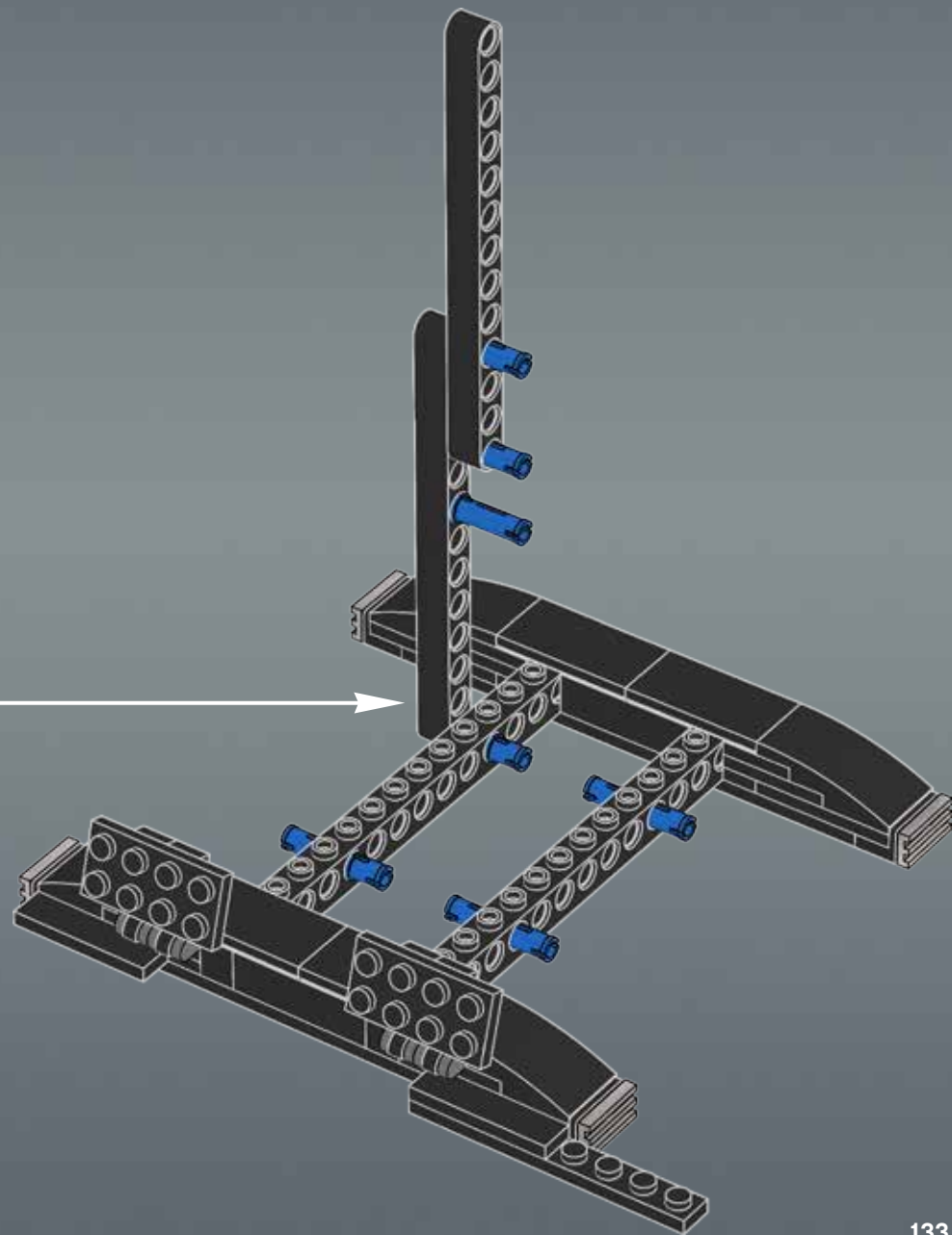
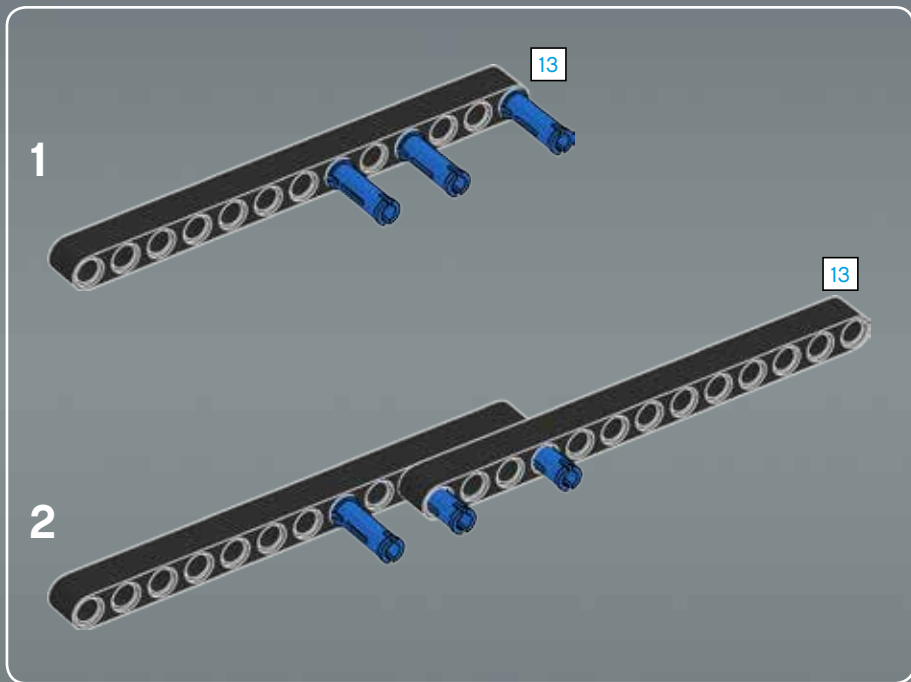


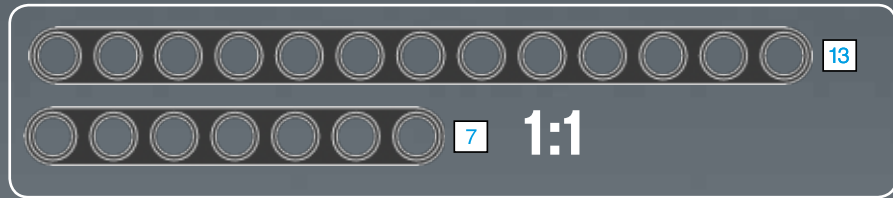
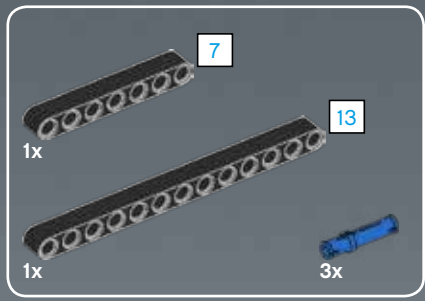
9



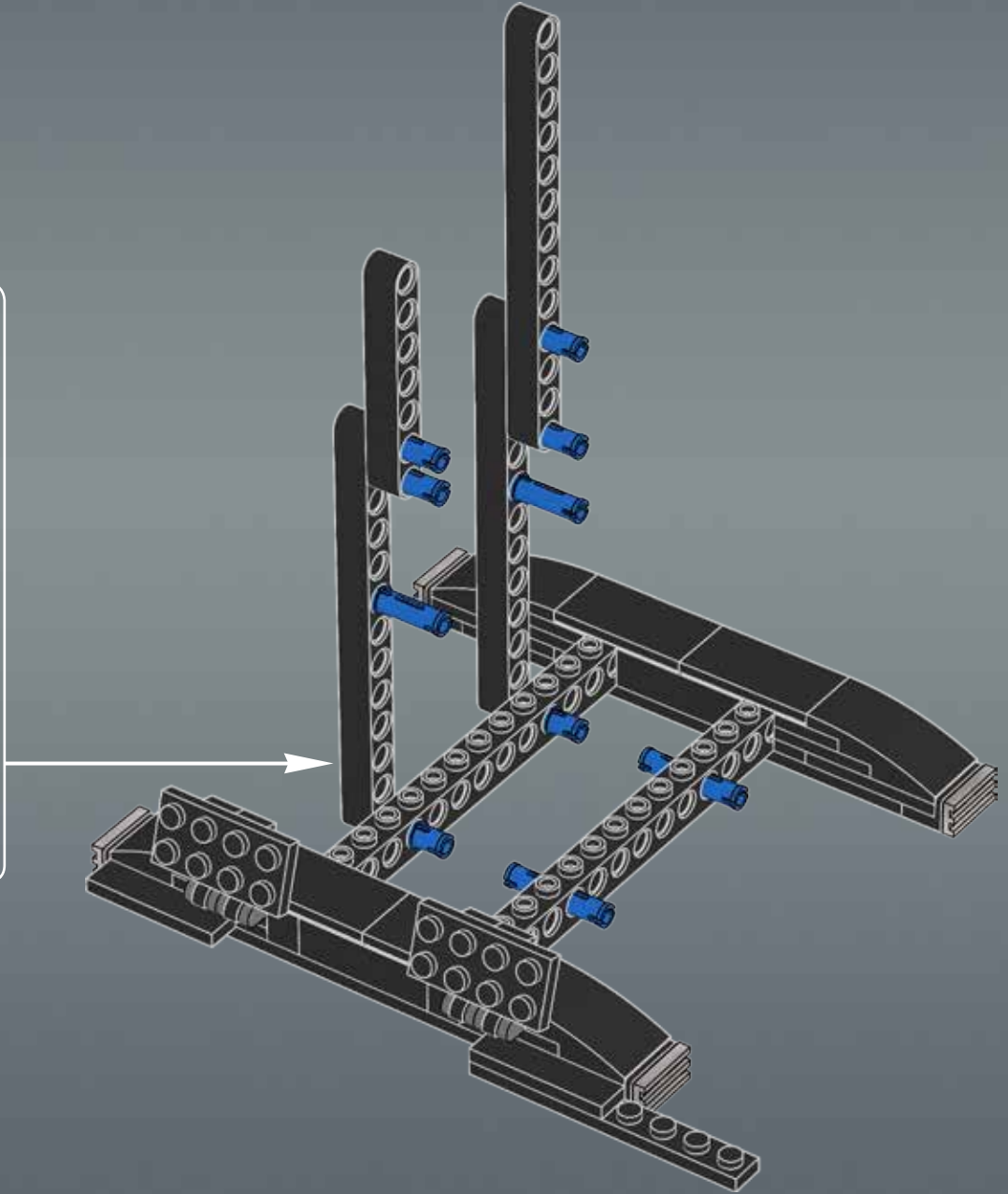
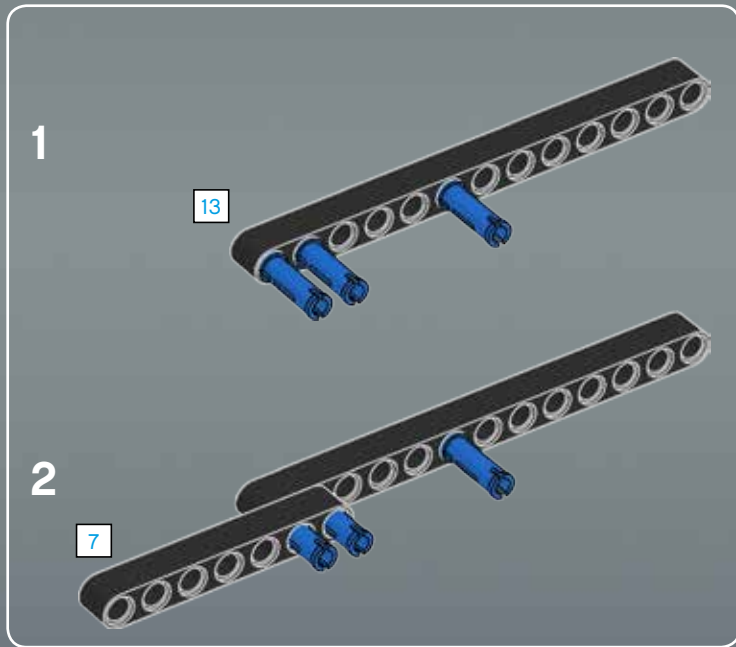


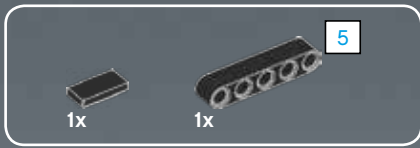
10



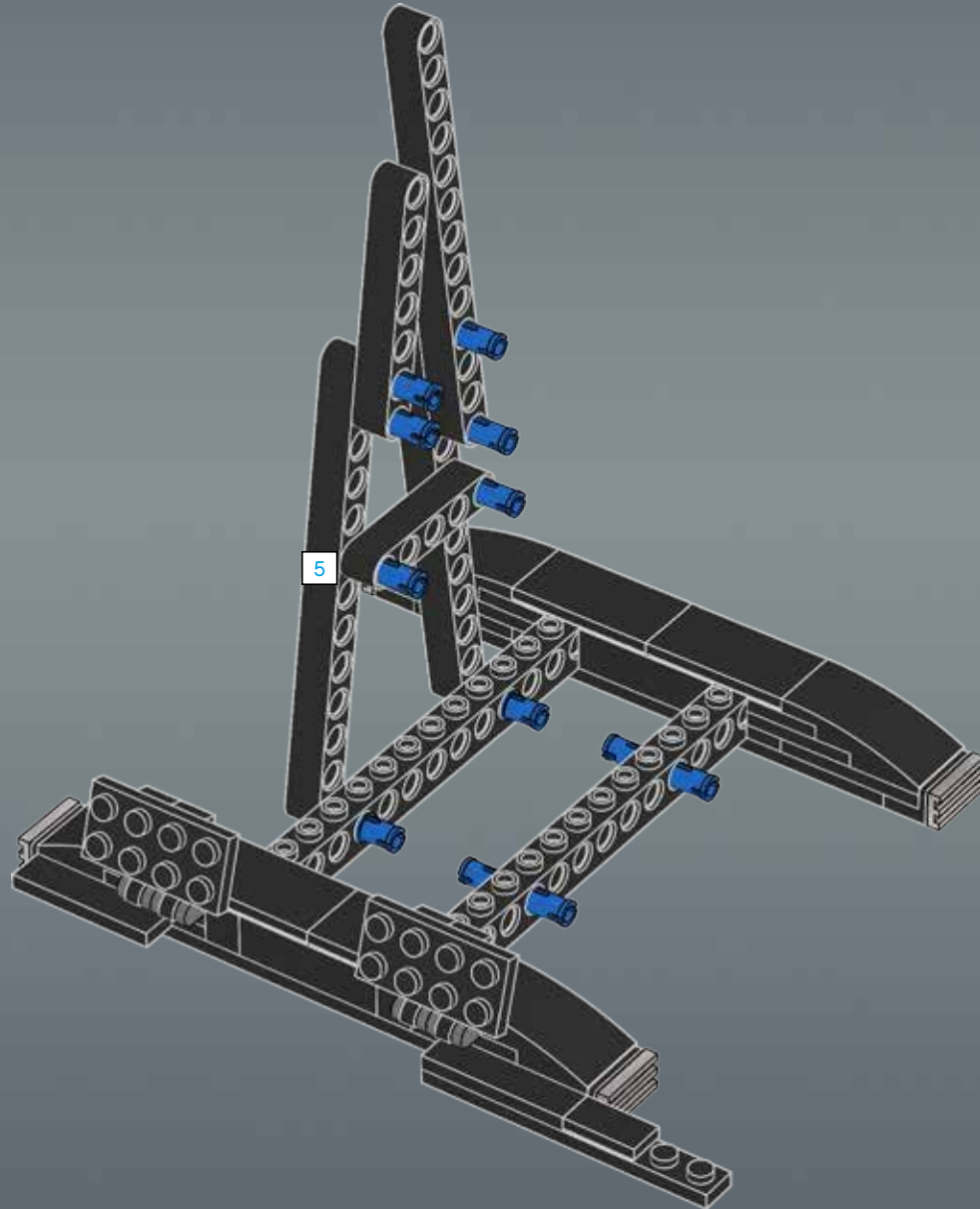


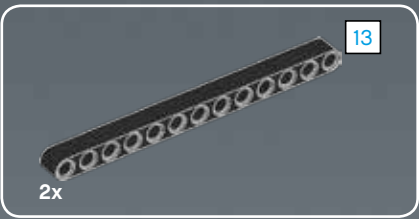
11



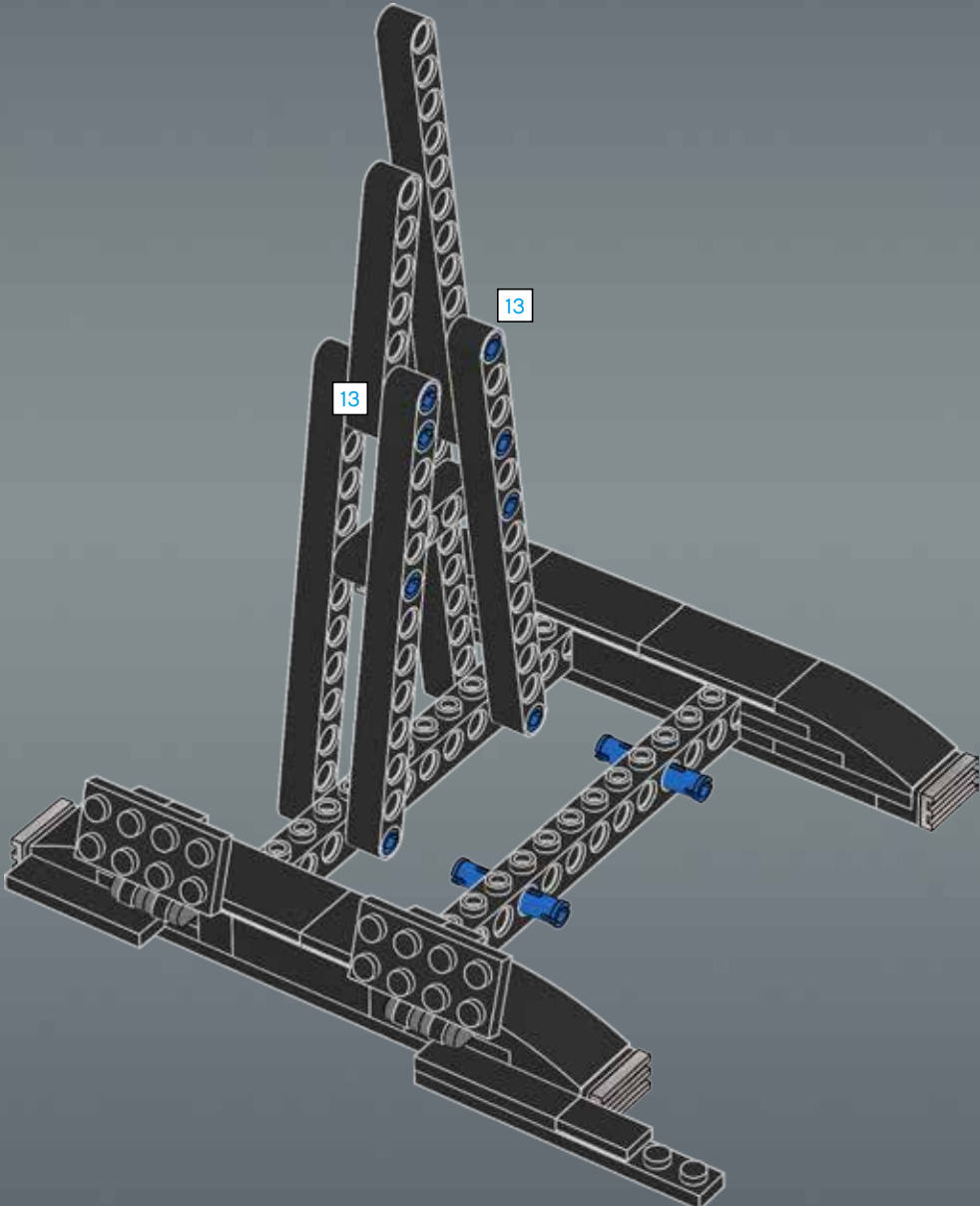


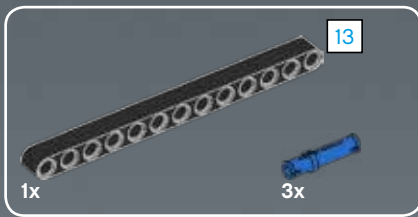
12



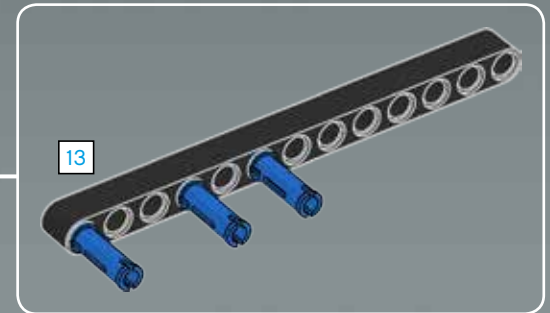
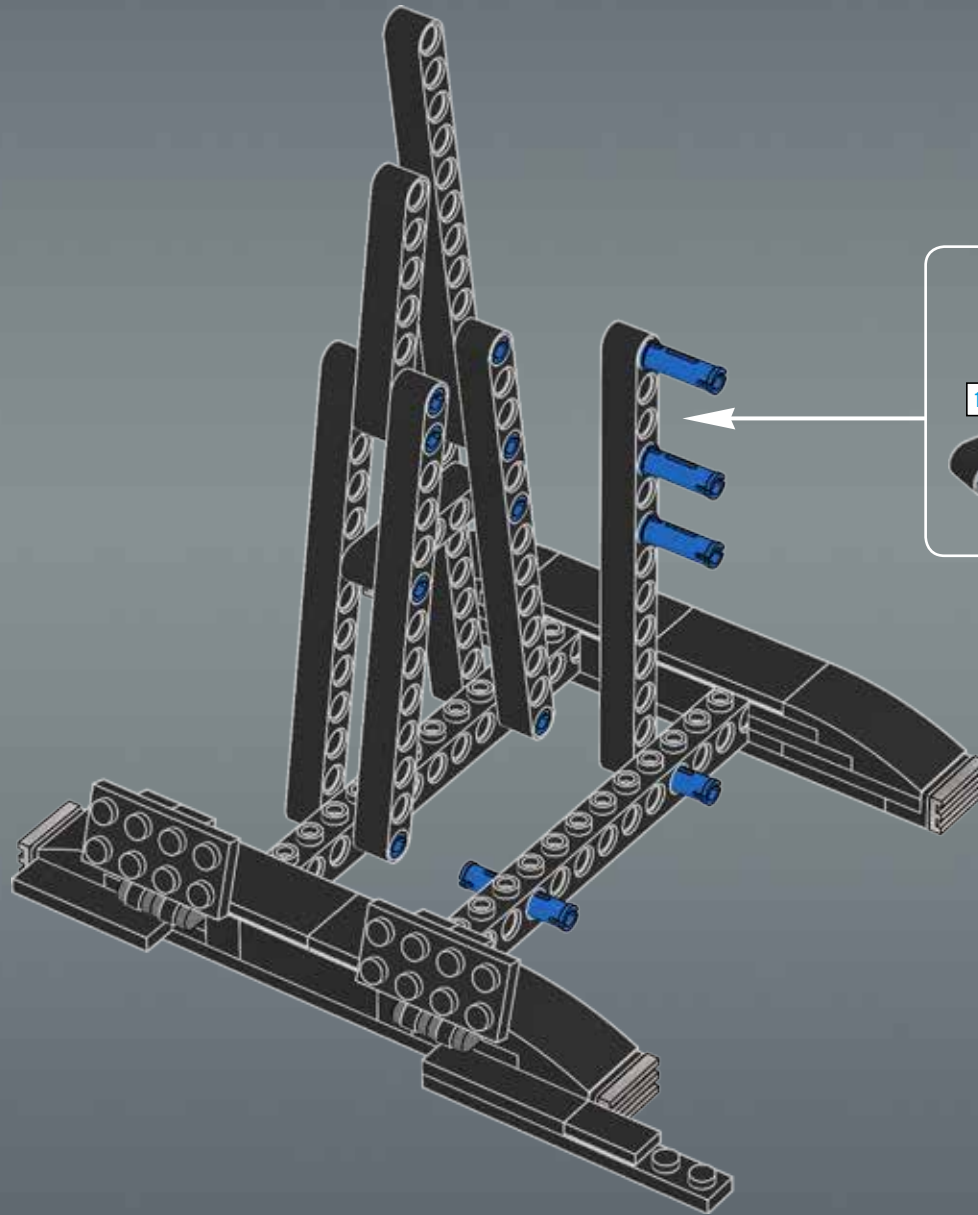


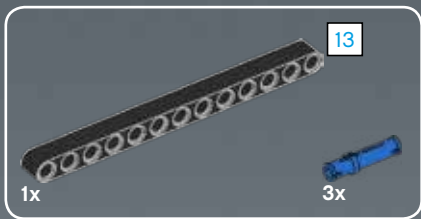
13



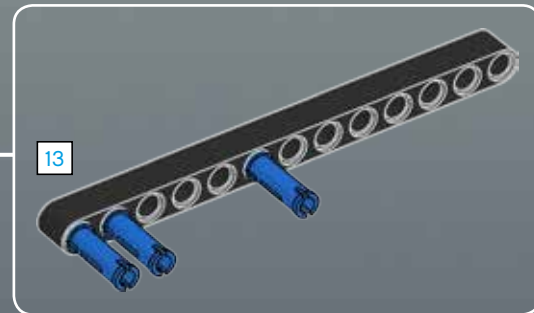
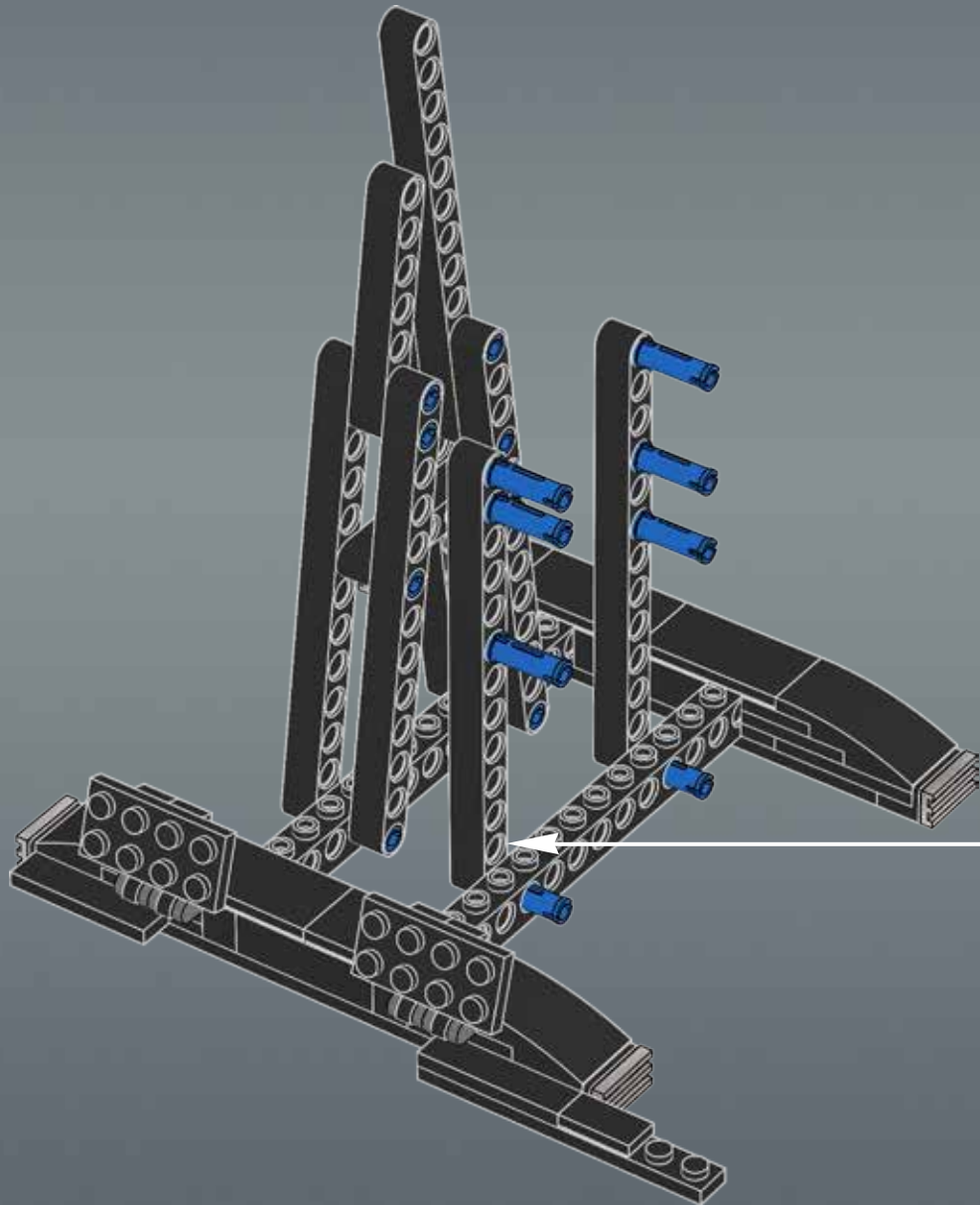


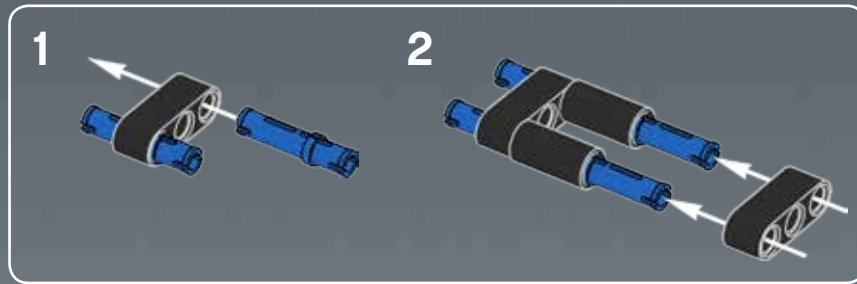
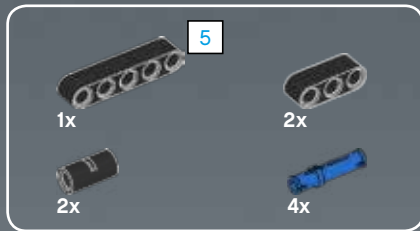
14



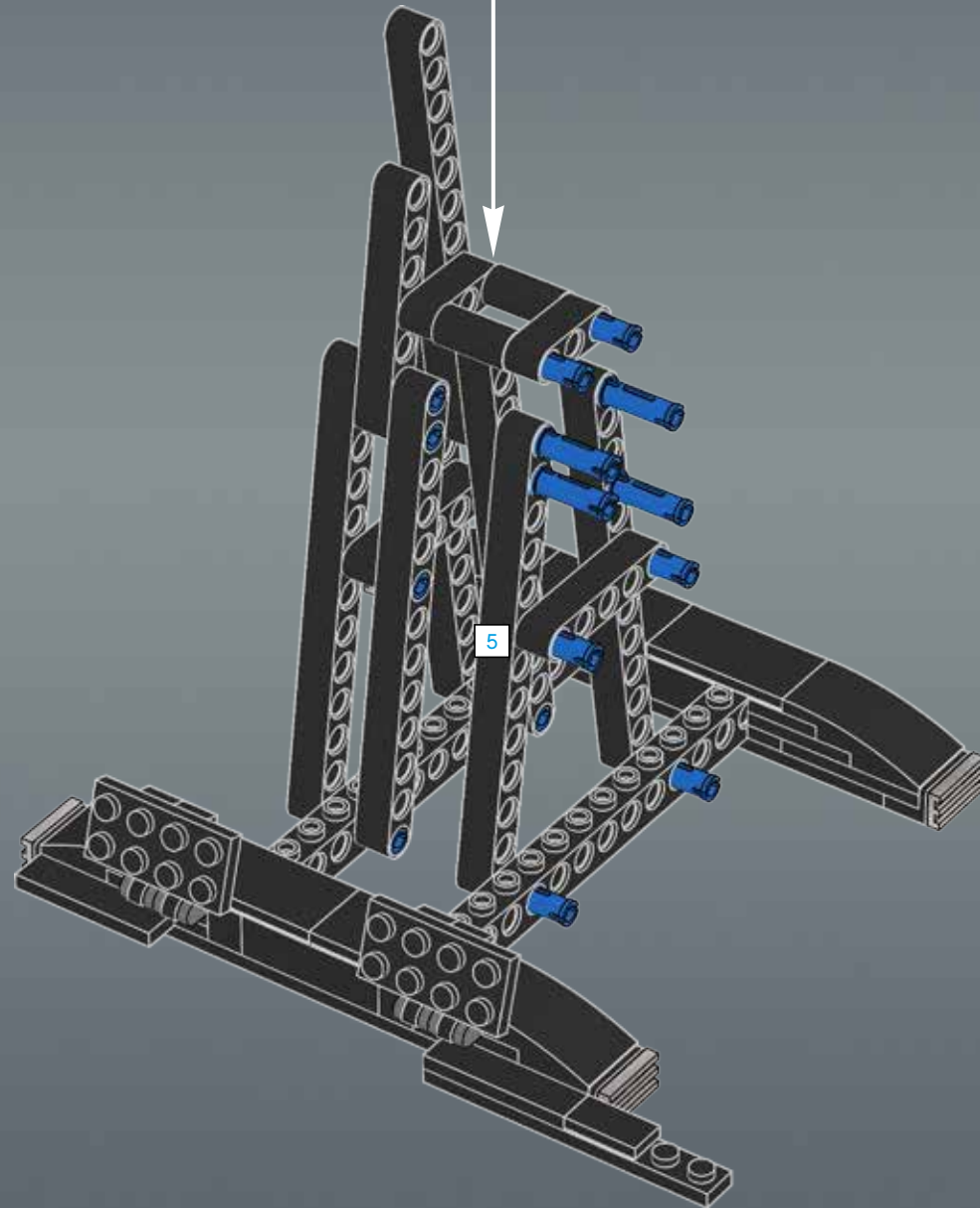


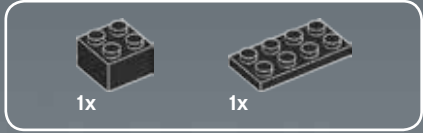
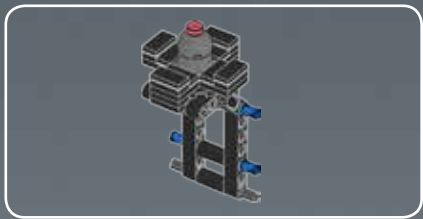
15



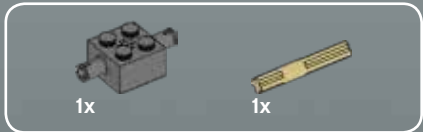
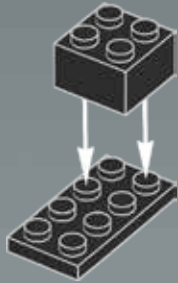


16

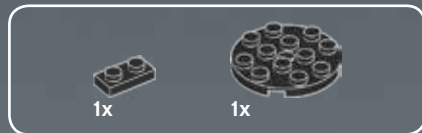




1



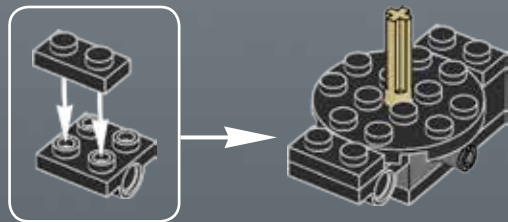
2

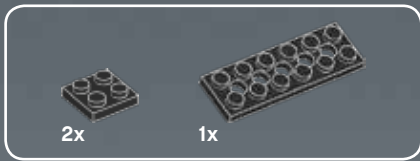


3



4

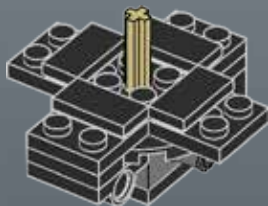




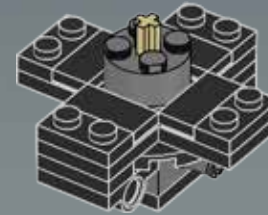
5



6

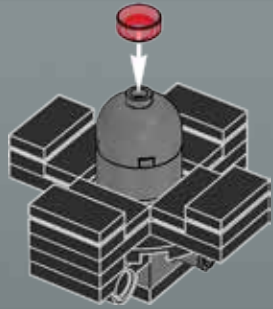


7

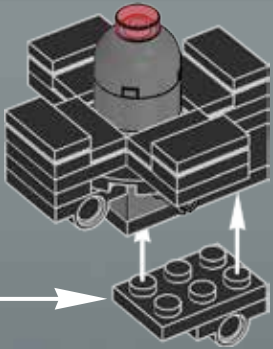
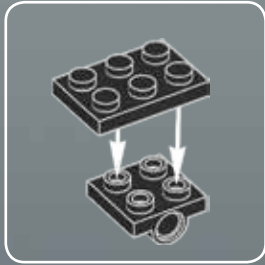


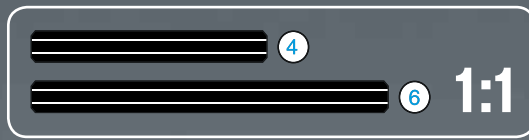
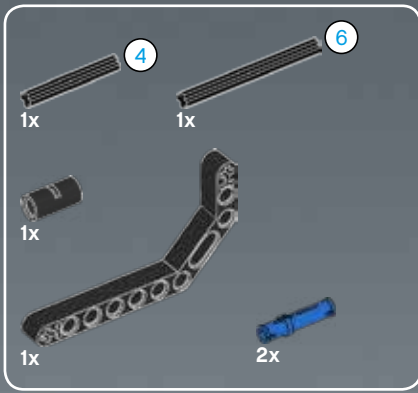


8

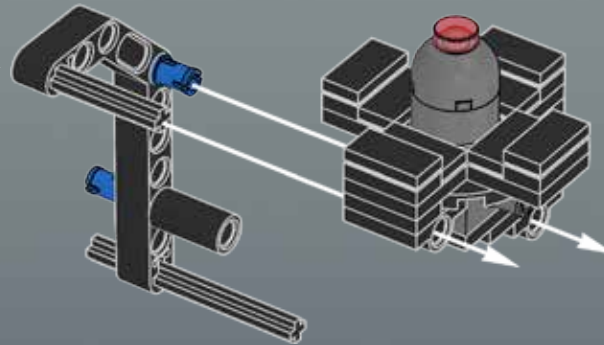
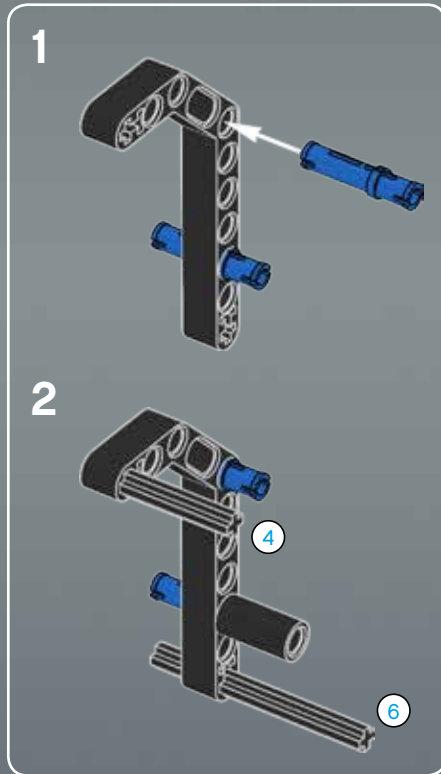


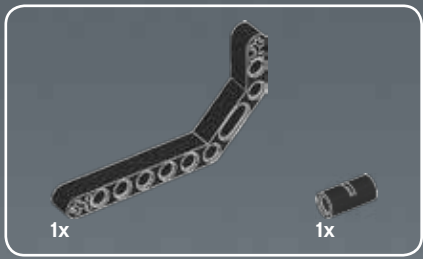
9



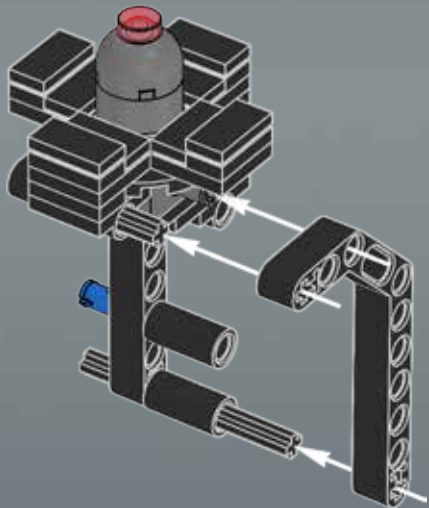


10

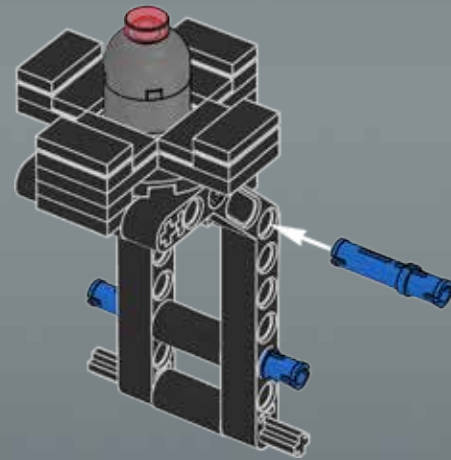


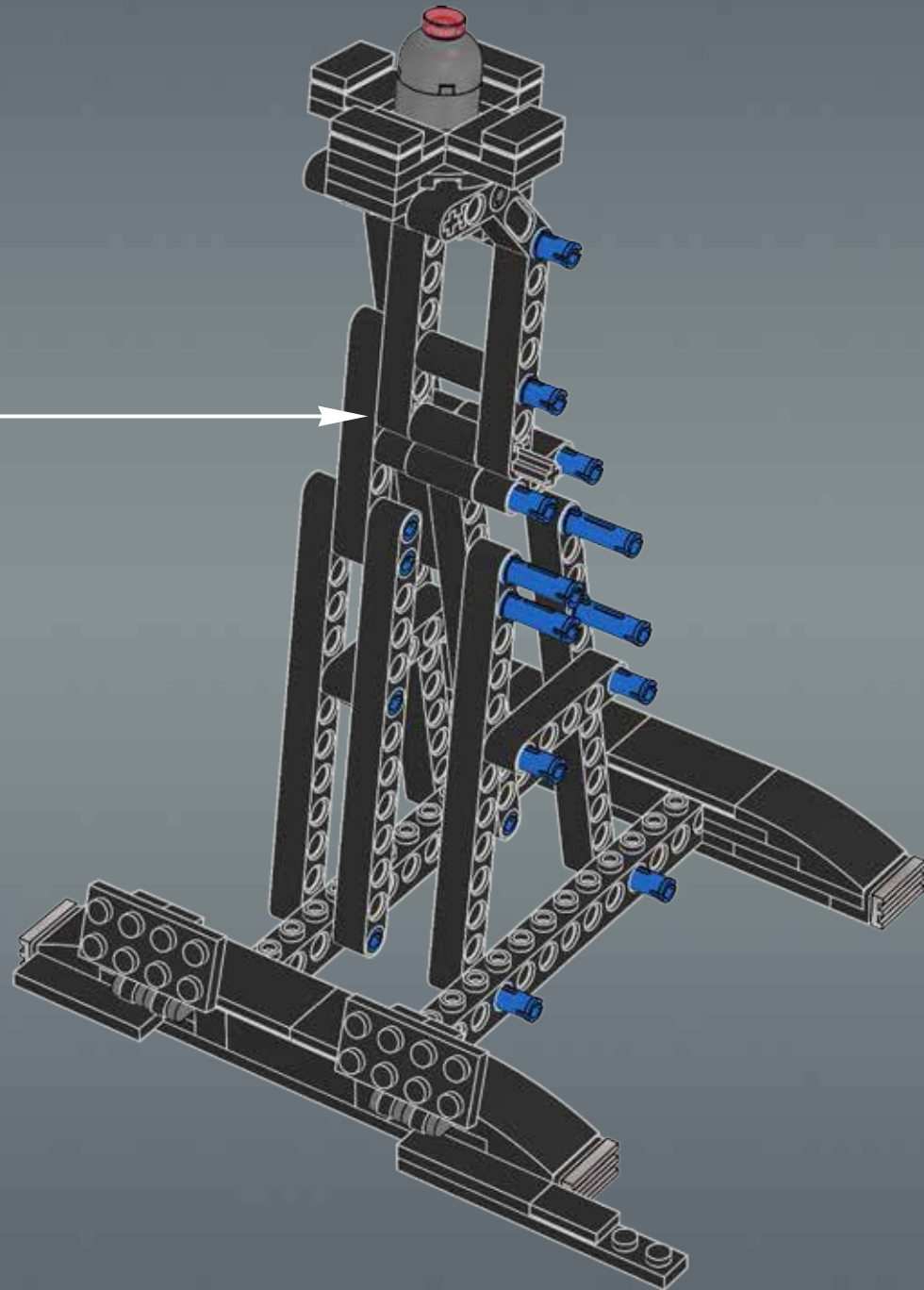


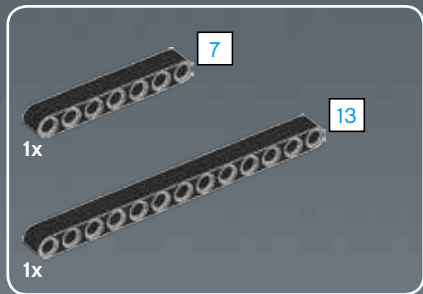
11



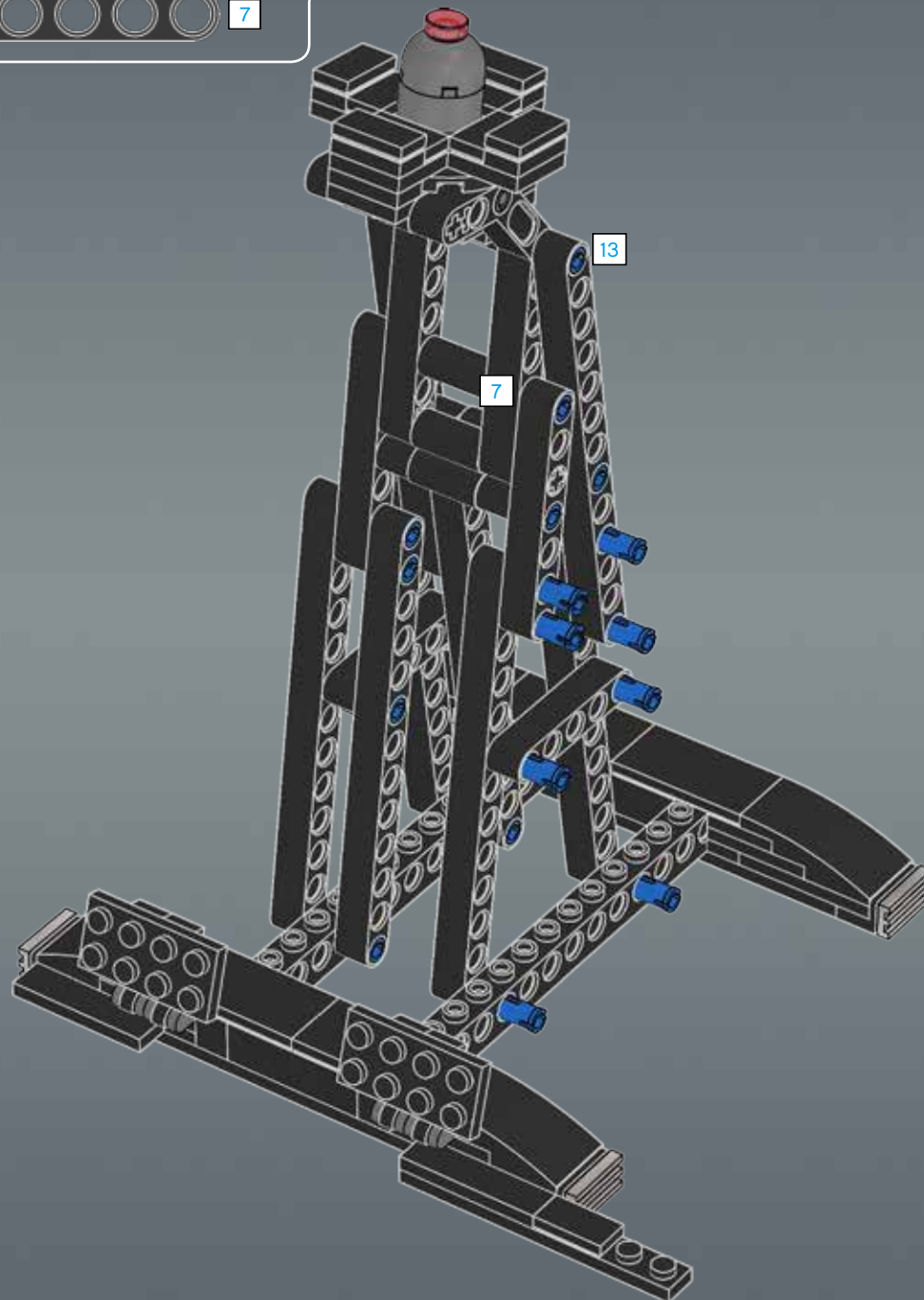
12

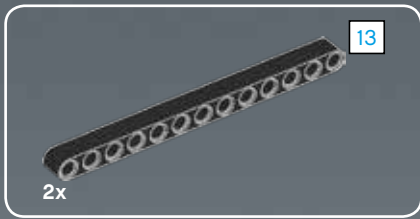




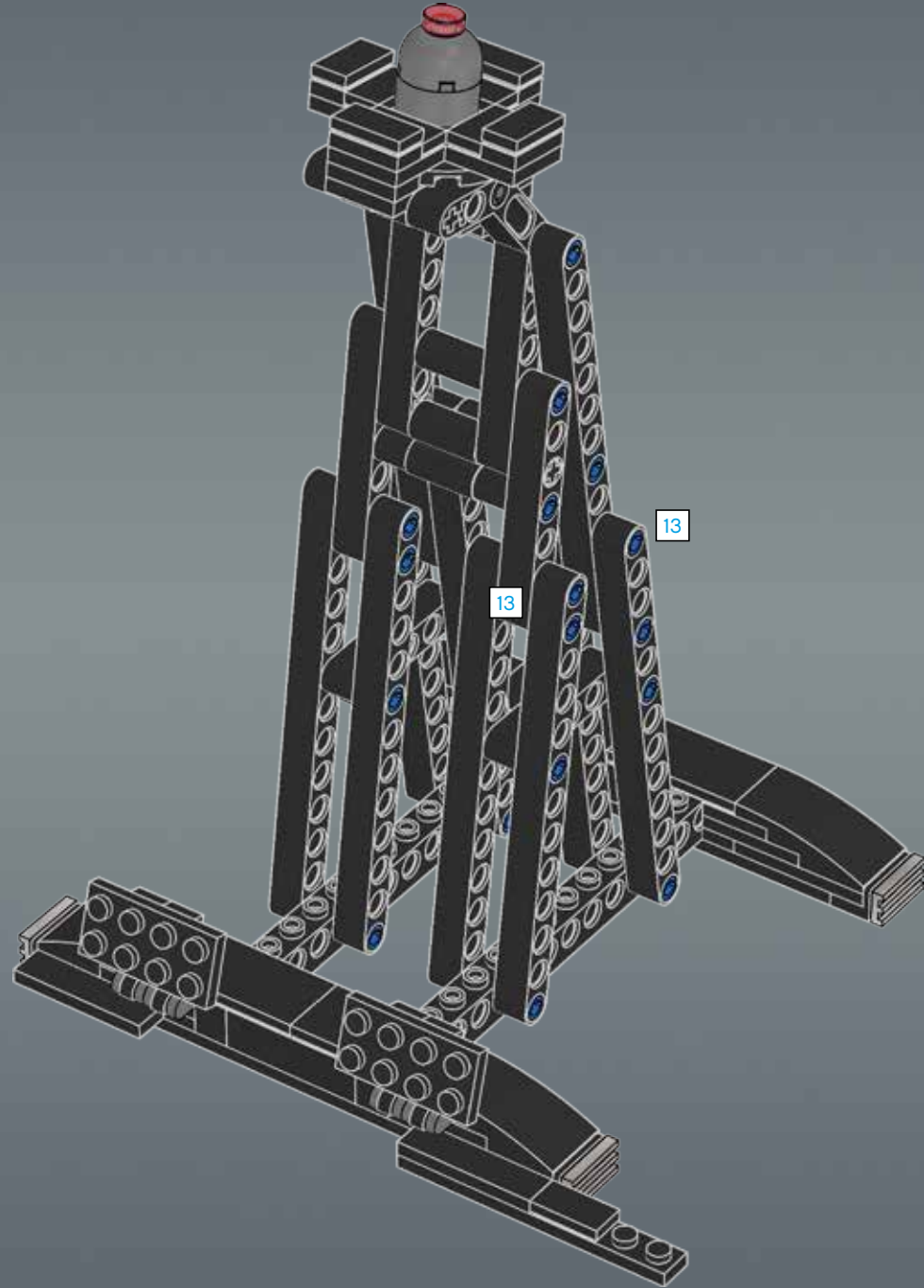


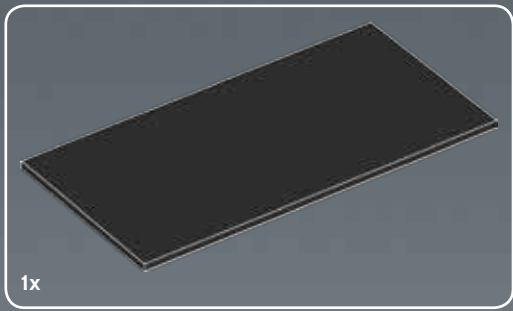
18



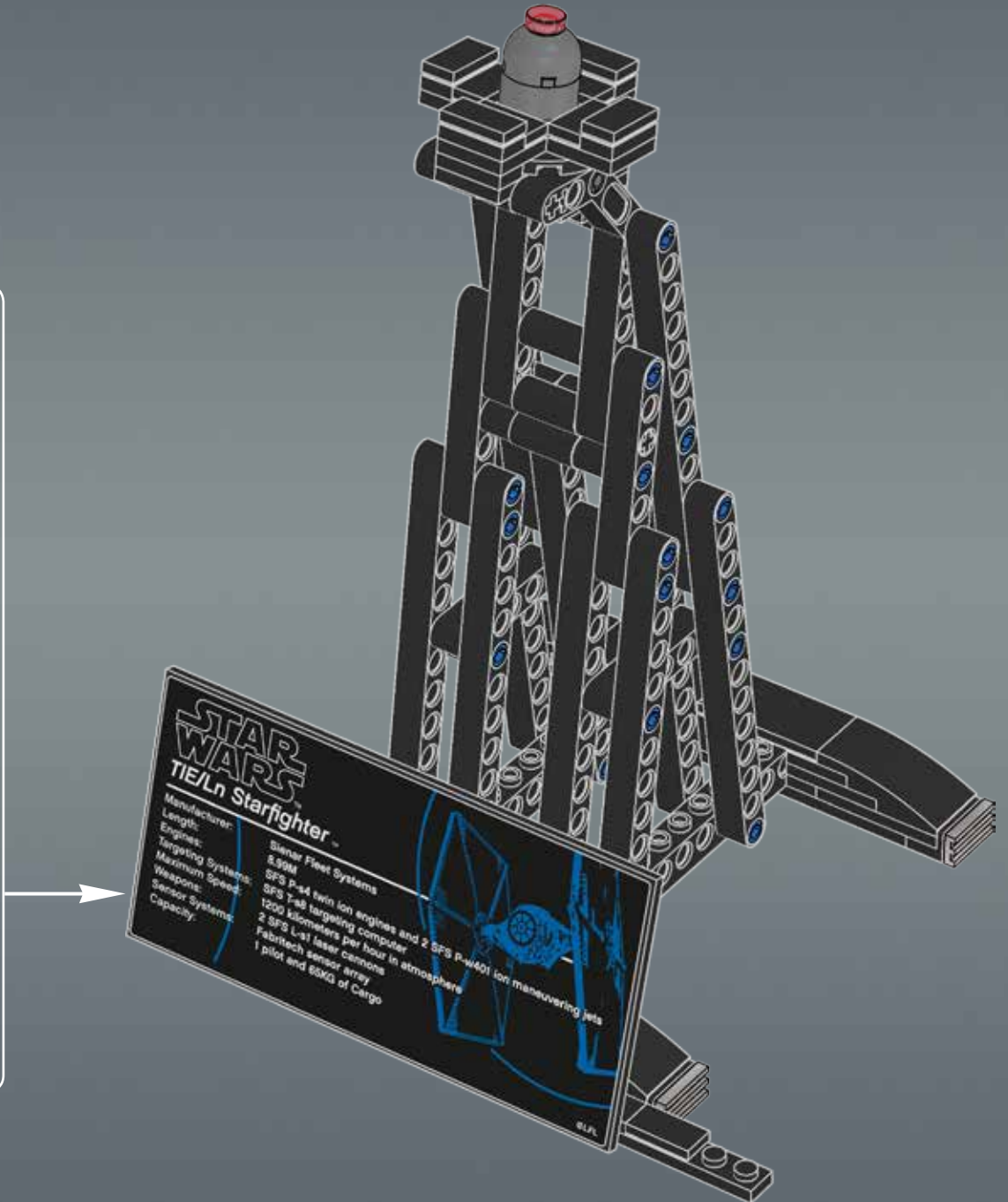
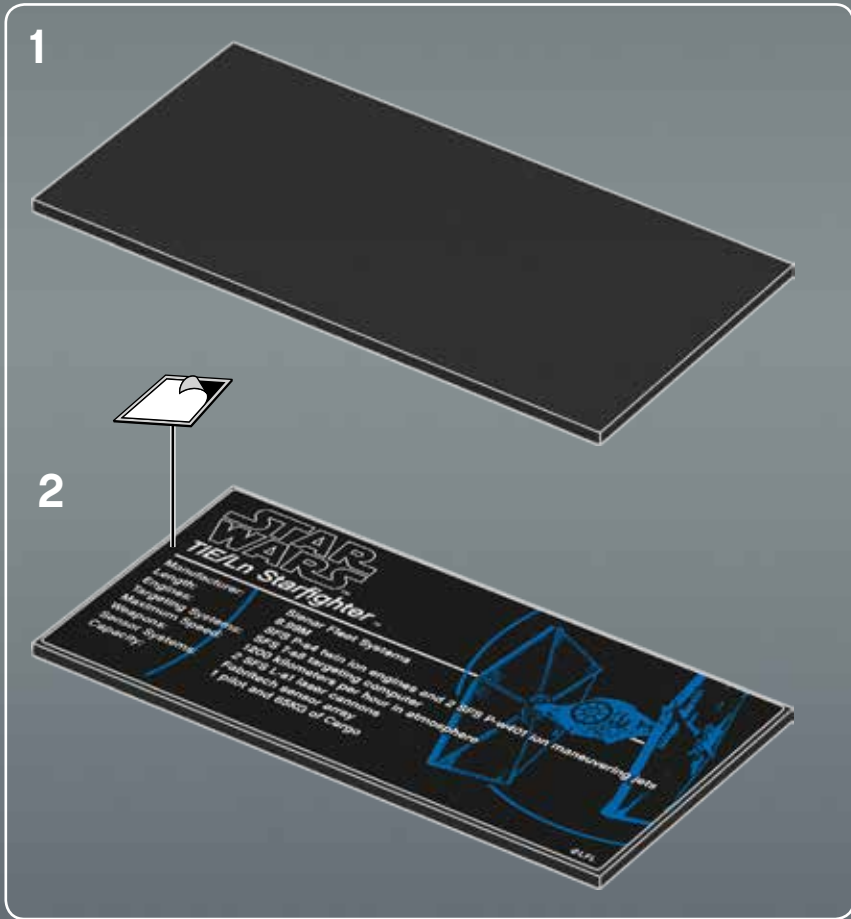


19

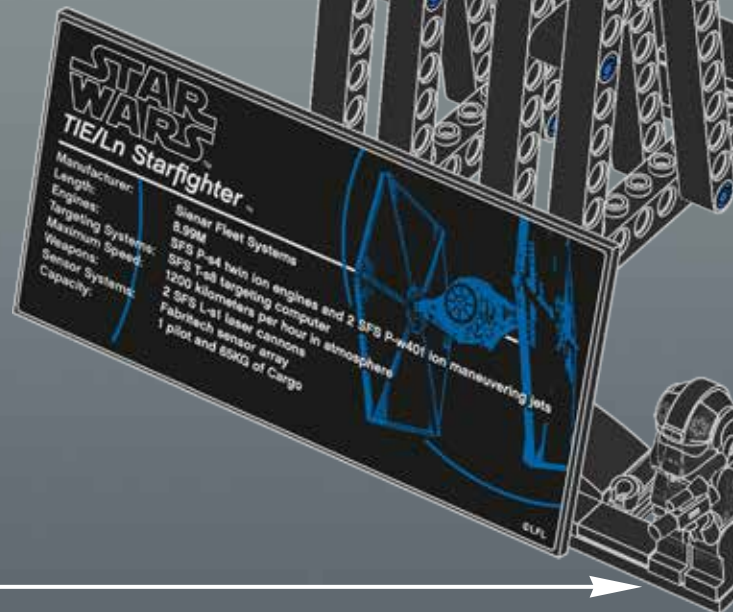
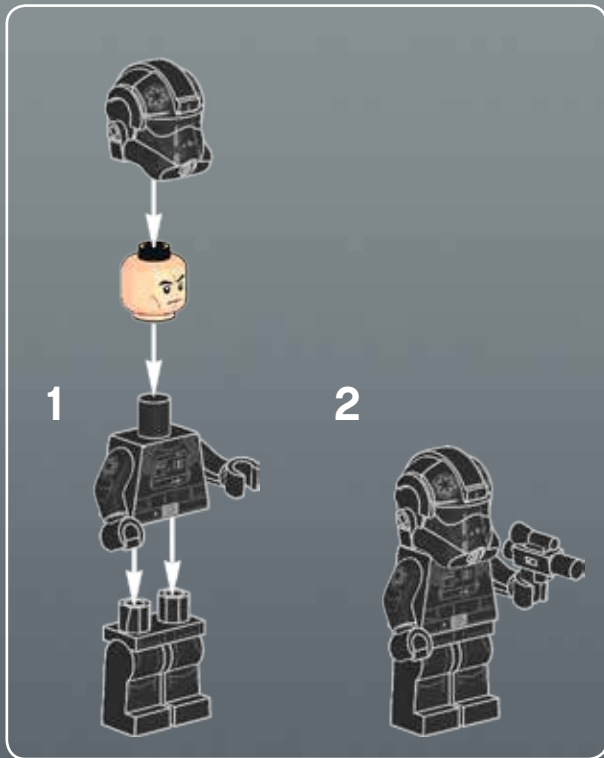


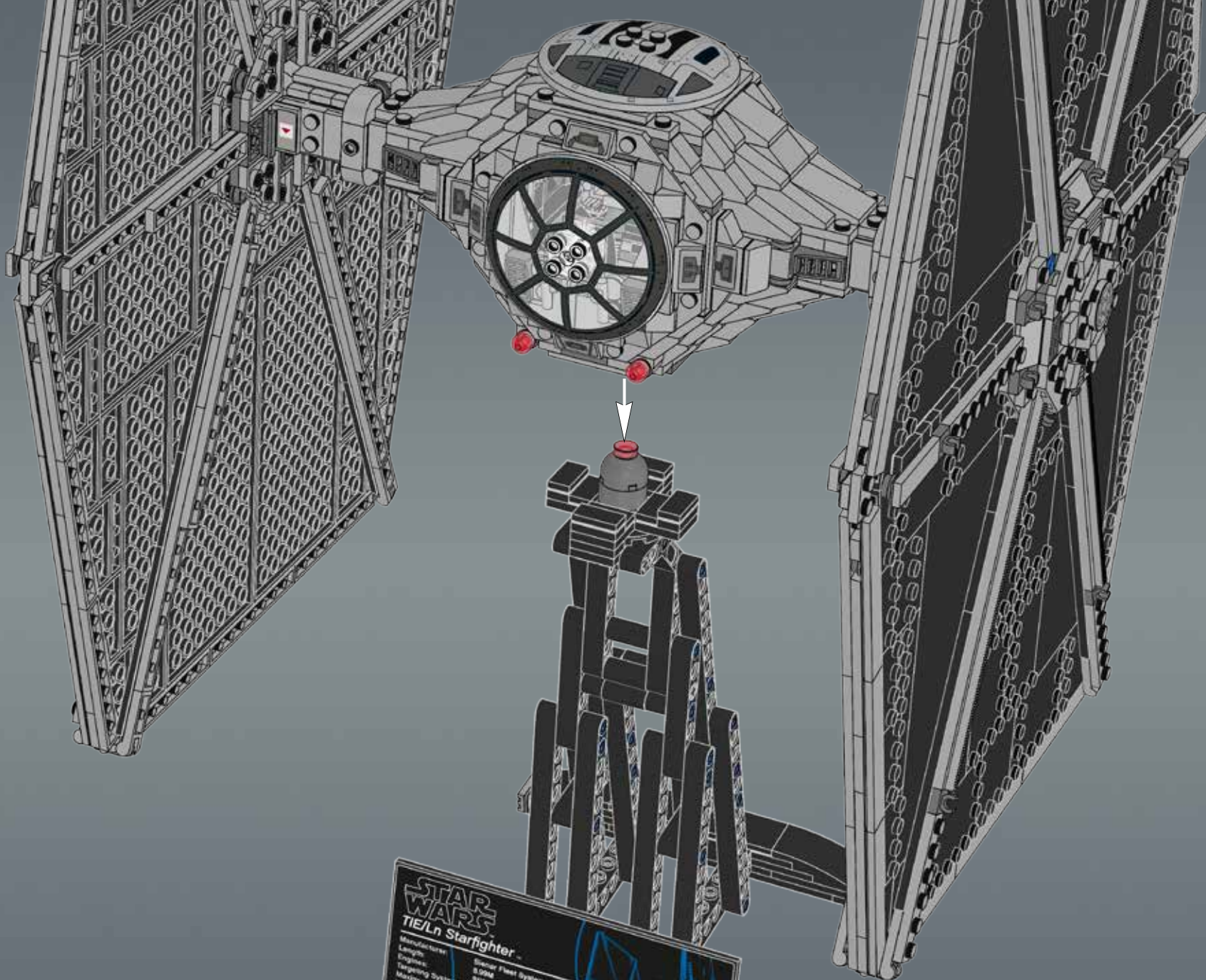


20



21

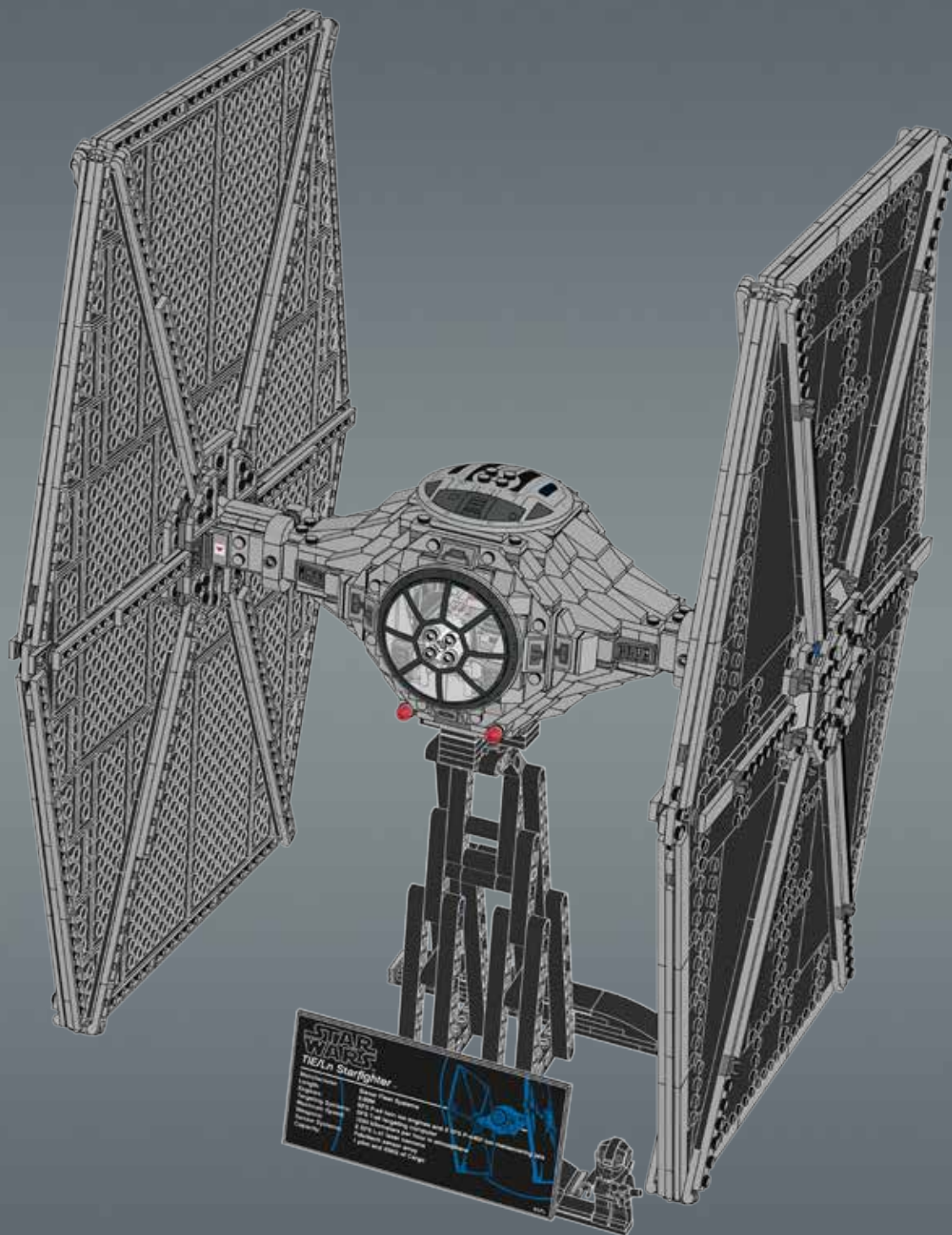




STAR WARS
TIE/Ln Starfighter

Manufacturer:	Sienar Fleet Systems
Length:	8.09m
Targeting System:	SFS P-44 twin ion engines and 2 SFS P-44 targeting computer
Maximum Speed:	1000 kilometers per hour in atmosphere
Weapons:	2 SFS L-1 laser cannons
Sensor System:	Fabricach sensor array
Capacity:	1 pilot and 85KG of Cargo

53





4x
4618876



10x
4113233



3x
4113988



32x
4570516



1x
4666579



1x
4666999



2x
301021



4x
623221



54x
302321



4x
6078641



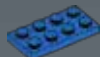
1x
4142865



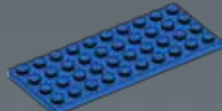
1x
6097123



4x
4619636



12x
302023



4x
303023



4x
241923



1x
4206482



24x
4514553



26x
242024



8x
4535740



10x
306926



4x
302226



4x
300526



1x
300326



4x
235726



2x
300126



2x
370326



2x
6069000



2x
303726



2x
6039869



4x
4647286



24x
6092585



10x
302326



20x
4565323



8x
362326



8x
4558170



5x
302126



8x
243126



32x
371026



4x
4560182



13x
302026



30x
6076678



20x
617926



1x
346026



9x
4603646



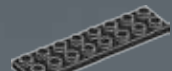
8x
6117973



24x
416226



40x
4100378



4x
303426



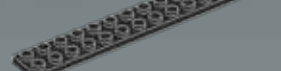
8x
4514845



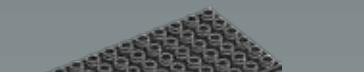
8x
302926



2x
6001494



4x
302826



12x
6094066



9x
4603646



1x
6102367



1x
6102367



1x
4609050



2x
4142822



2x
4142135



6x
4535739



2x
281726



8x
6052126



1x
3200126



44x
4161332



44x
4160869



1x
4515350



2x
4558209



1x
6102347



1x
6056685



1x
6102367



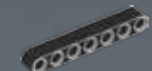
1x
4609050



2x
4142822



2x
4142135



2x
4495935



2x
411998



10x
4522933



4x
4121715



4x
4526982



1x
370526



1x
370626



6x
4107736



4x
302228



1x
4143346



1x
6102510



2x
4646864



14x
3005741



1x
6024294

2x
4497943
 6x
3005748
 1x
4654448
 8x
4529685
 24x
4211214
 4x
4211388
 2x
4211393
 4x
4211529
 4x
4211705
 24x
4521921
 34x
4568637
 12x
6093859
 28x
4211437
 8x
4211614

6x
4211436
 2x
4211410
 4x
6034676
 12x
4211489
 12x
4211488
 2x
4211421
 6x
4211570
 2x
4509915
 8x
6028813
 8x
4211519
 4x
4618874
 2x
4211399
 12x
4211415
 13x
4211350
 34x
6066097
 29x
4211398

25x
4211414
 14x
4211397
 4x
4211413
 6x
6065824
 26x
4211429
 2x
4558169
 15x
4211356
 8x
4599498
 16x
4211395
 17x
4211438
 2x
4243797
 12x
4211452
 36x
4211481
 66x
4211425
 8x
4211406

20x
4514846
 4x
4211360
 4x
4211486
 2x
6071229
 1x
4541978
 1x
6028812
 2x
6089147
 1x
4598526
 8x
4654580
 6x
4654582
 1x
4211376
 1x
4666449
 28x
4515369
 4x
6014615

4x
4613165
 2x
4650260
 1x
4211791
 1x
4211794
 2x
6052205
 2x
4278273
 8x
4507056
 1x
6028015
 16x
4211361
 1x
6102505
 5x
6094068
 4x
4215513
 4x
6071299
 8x
4211658
 2x
4514195

1x
4644102
 8x
6094067
 1x
4222047
 8x
6102769
 2x
4211629
 2x
4211483
 2x
4211807
 2x
4211536
 1x
4529240
 1x
4161674
 1x
4249139
 1x
4211024
 72x
4210635
 18x
4211043
 8x
4211001

2x
4211134
 4x
4257526
 28x
6071226
 2x
6019987
 18x
6000606
 4x
4543086
 4x
4521187
 44x
4210633
 4x
4212075
 1x
4583688
 14x
4540386
 1x
4210749

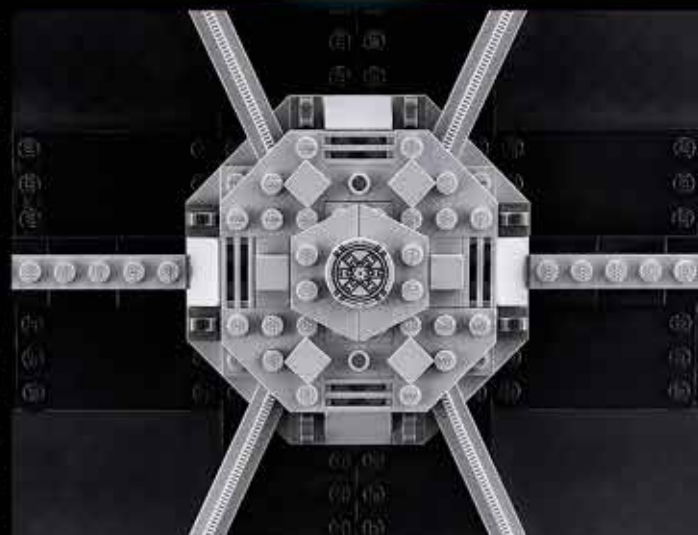
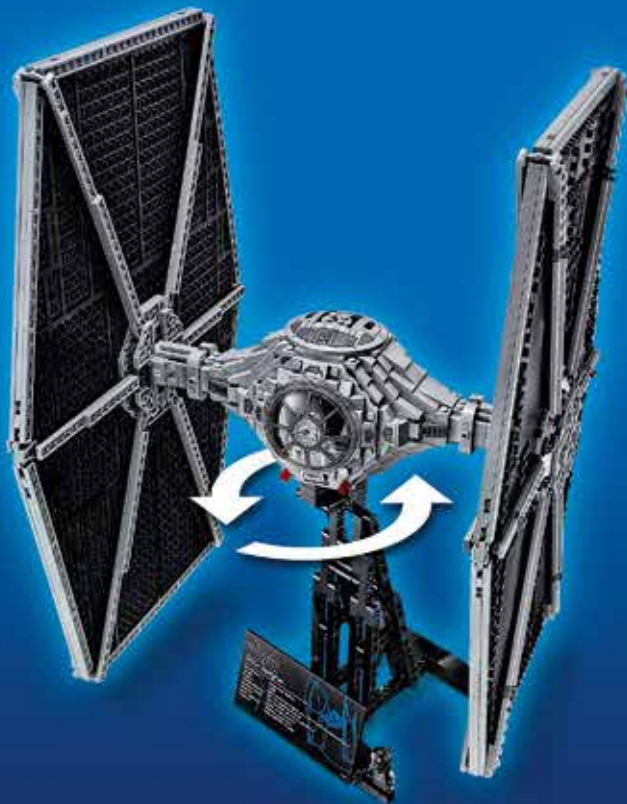
STAR WARS™

TIE/Ln Starfighter™

Manufacturer: Sienar Fleet Systems
Length: 8.99M
Engines: SFS P-34 twin ion engines and 2 SFS P-W401 ion maneuvering jets
Targeting Systems: SFS T-8 targeting computer
Maximum Speed: 1200 kilometers per hour in atmosphere
Weapons: 2 SFS L-51 laser cannons
Sensor Systems: Fabritech sensor array
Capacity: 1 pilot and 65KG of Cargo



©LFL

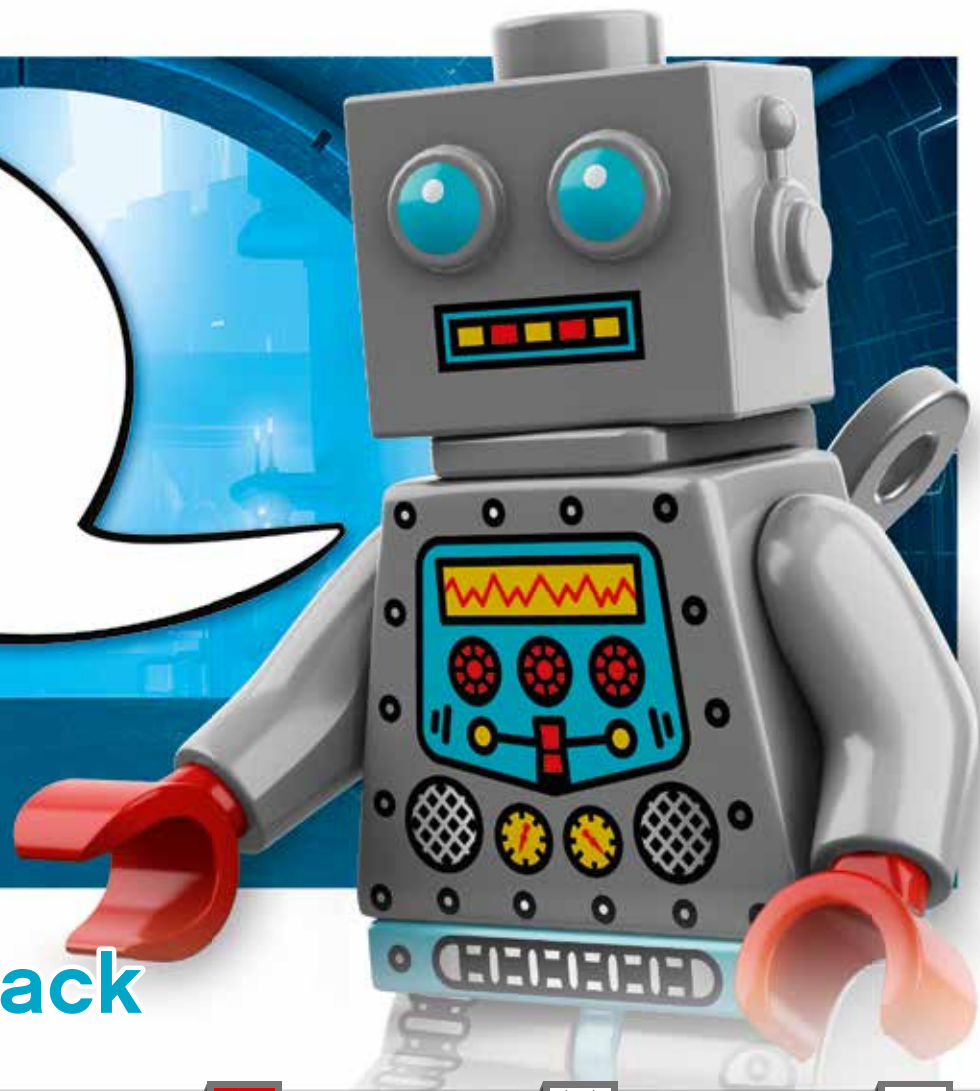




75060 Slave I™

WIN

GO TO [WWW.LEGO.COM/PRODUCTFEEDBACK](http://www.LEGO.COM/PRODUCTFEEDBACK) AND
GIVE US YOUR SHORT **FEEDBACK** ABOUT THIS
LEGO® SET FOR A CHANCE TO WIN
A COOL LEGO PRIZE.



LEGO.com/productfeedback

GEWINNE



Erzähle uns auf
www.LEGO.com/productfeedback

etwas über die Erfahrungen, die
du mit diesem LEGO® Set gemacht
hast, und sichere dir die Chance
auf einen coolen LEGO Preis!

GAGNE



Rends-toi sur
www.LEGO.com/productfeedback

et donne-nous quelques com-
mentaires sur ce produit LEGO®
pour avoir une chance de gagner
un prix LEGO !

GANAN



Visita
www.LEGO.com/productfeedback

y envíanos tu opinión acerca de
este set LEGO®. ¡Participarás en el
sorteo de un premio LEGO!

获取奖品



登录
www.LEGO.com/productfeedback

给出关于此乐高®套装的简短反馈，
就有机会获得炫酷乐高奖品

경품 당첨 기회



www.LEGO.com/productfeedback

페이지로 이동하여 이 레고® 세트에
대한 간략한 피드백을 보내 주시고
멋진 레고 경품을 탈 수 있는 기회도
잡으십시오

ЗАПОЛНИ АНКЕТУ И ПОЛУЧИ ПРИЗ



Перейди по ссылке
www.LEGO.com/productfeedback

ответь всего на несколько во-
просов об этом наборе LEGO®
и у тебя появится шанс выиграть
замечательный приз от компании
LEGO.